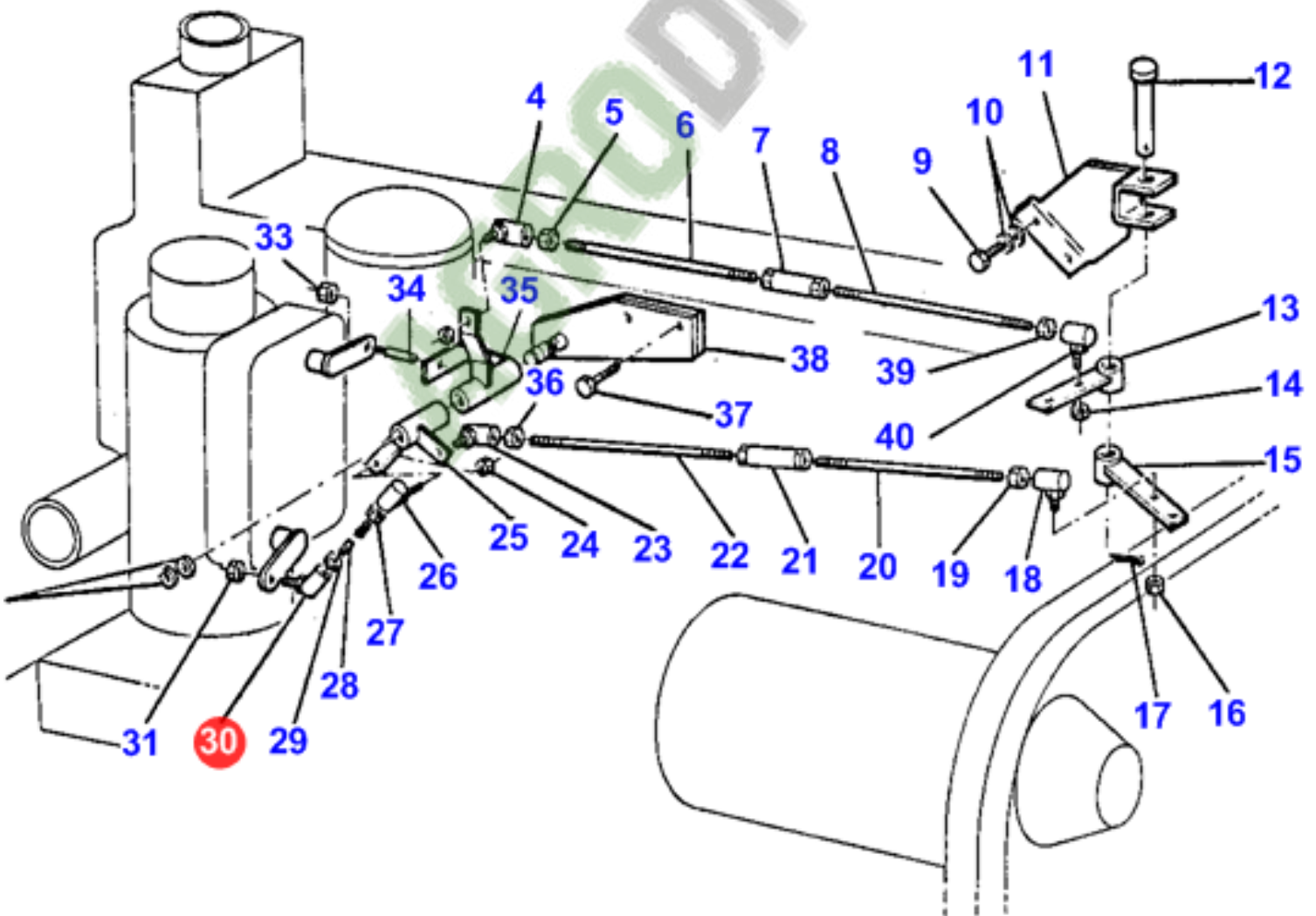
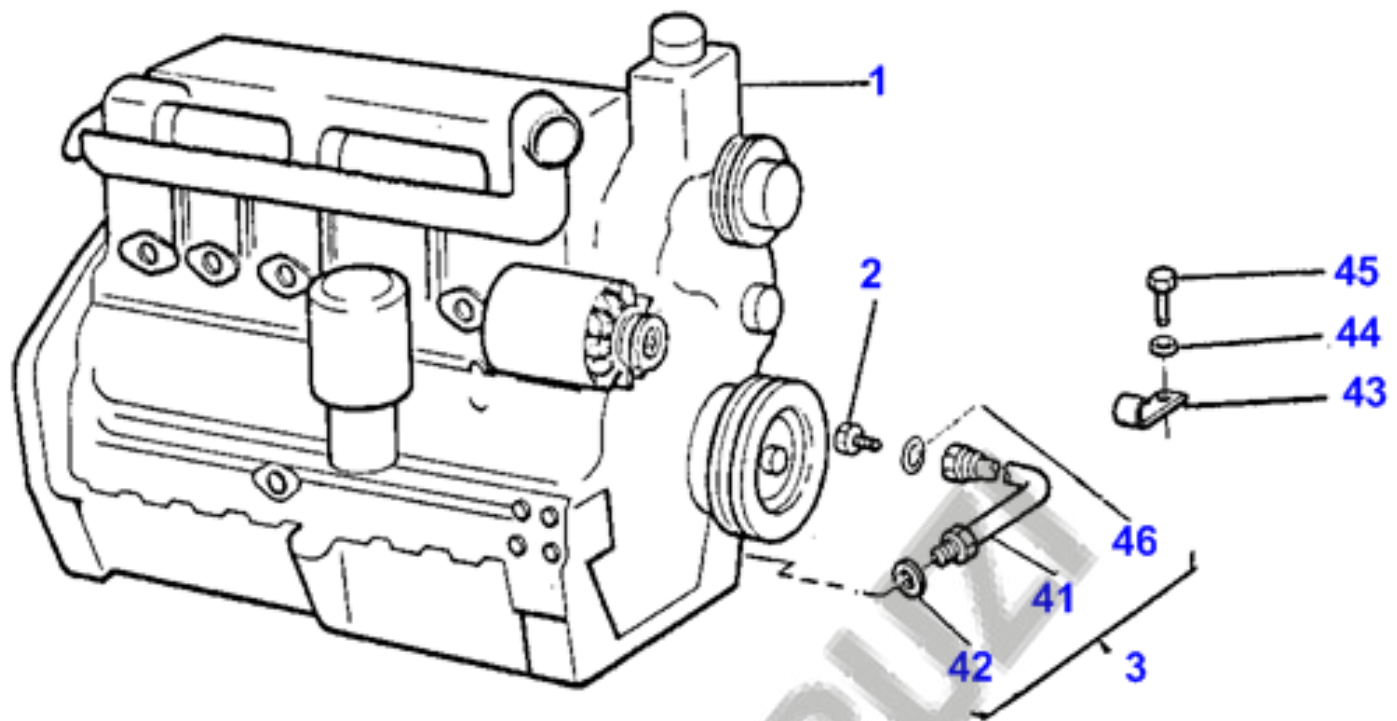


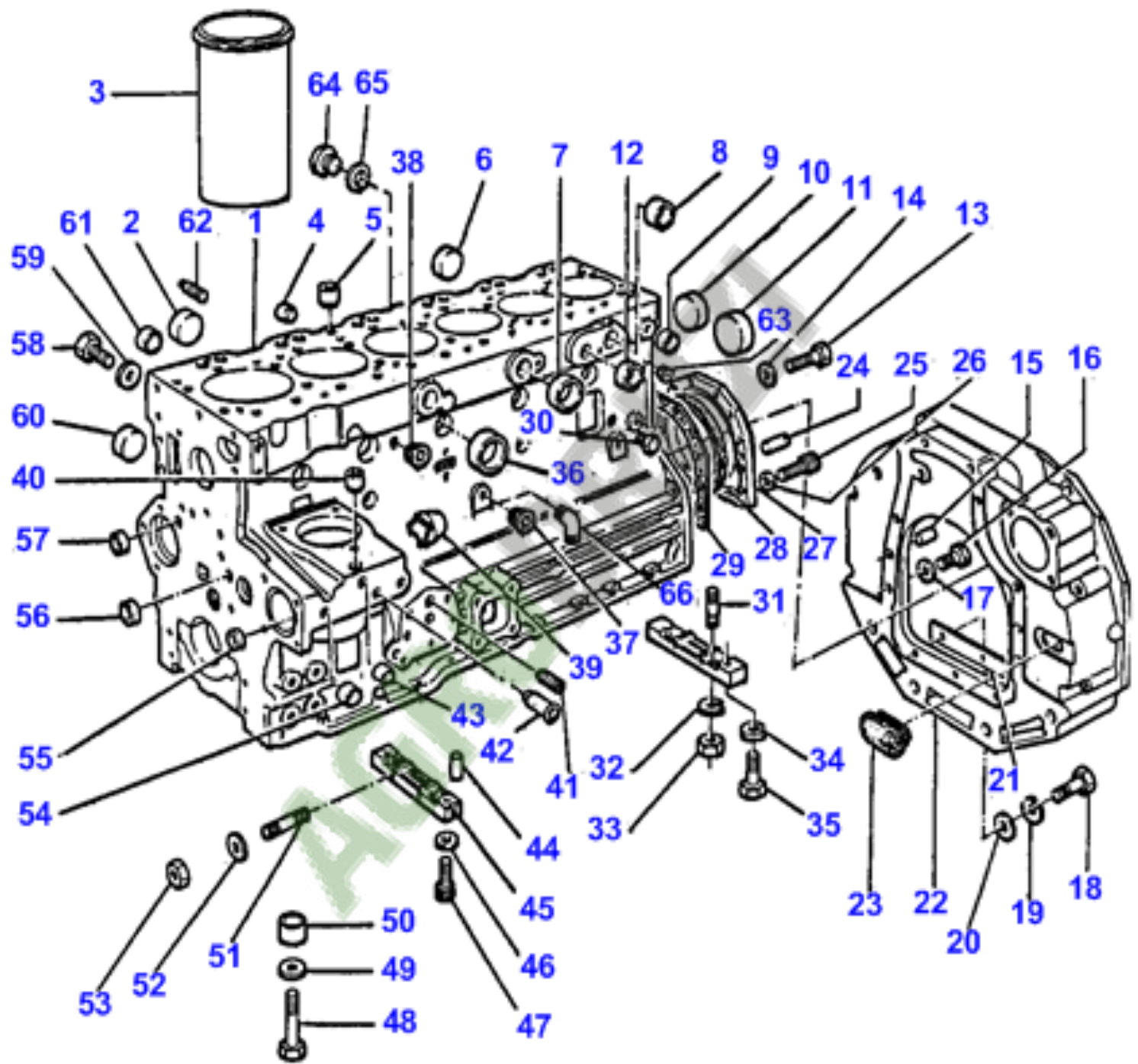


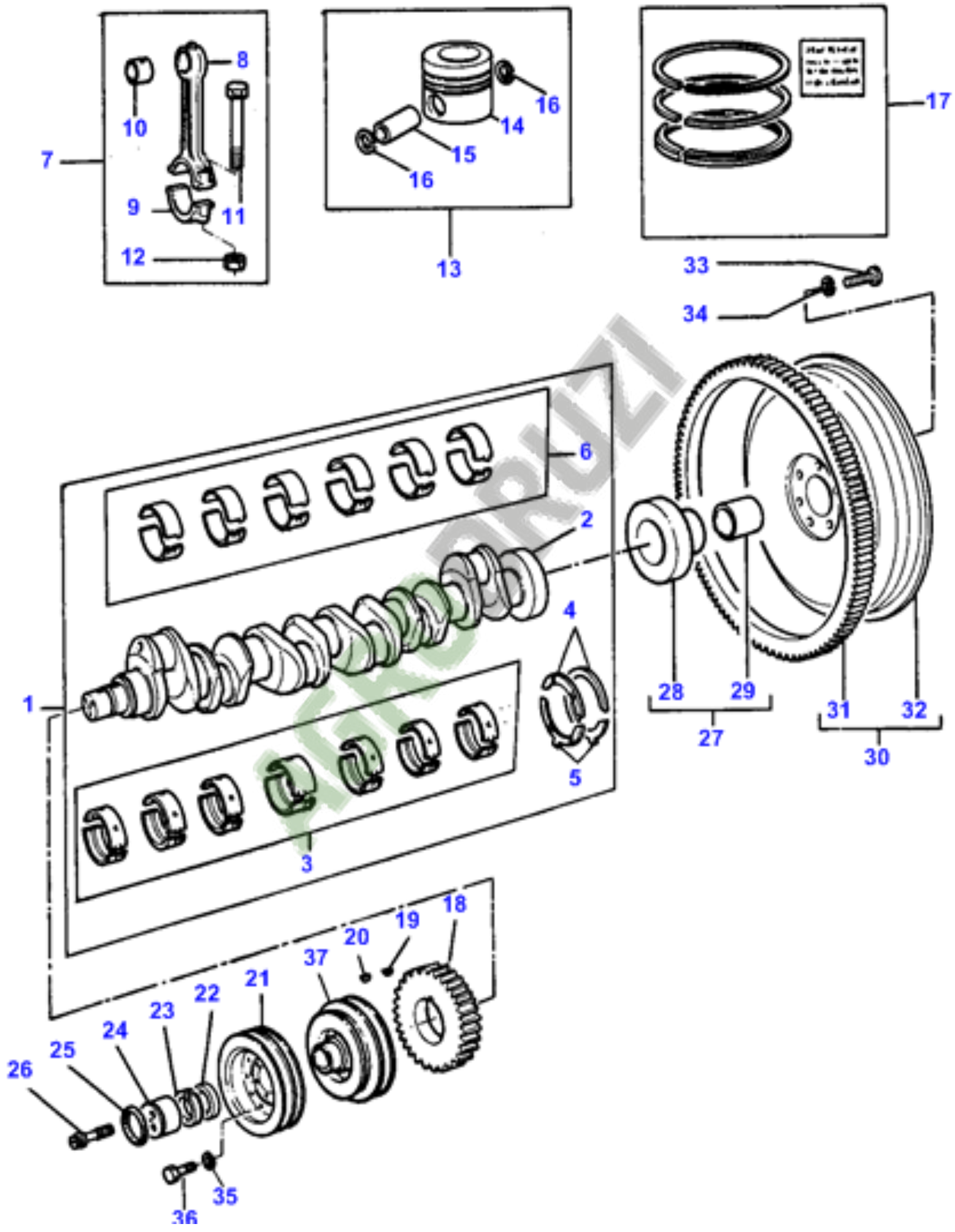
MASSEY FERGUSON

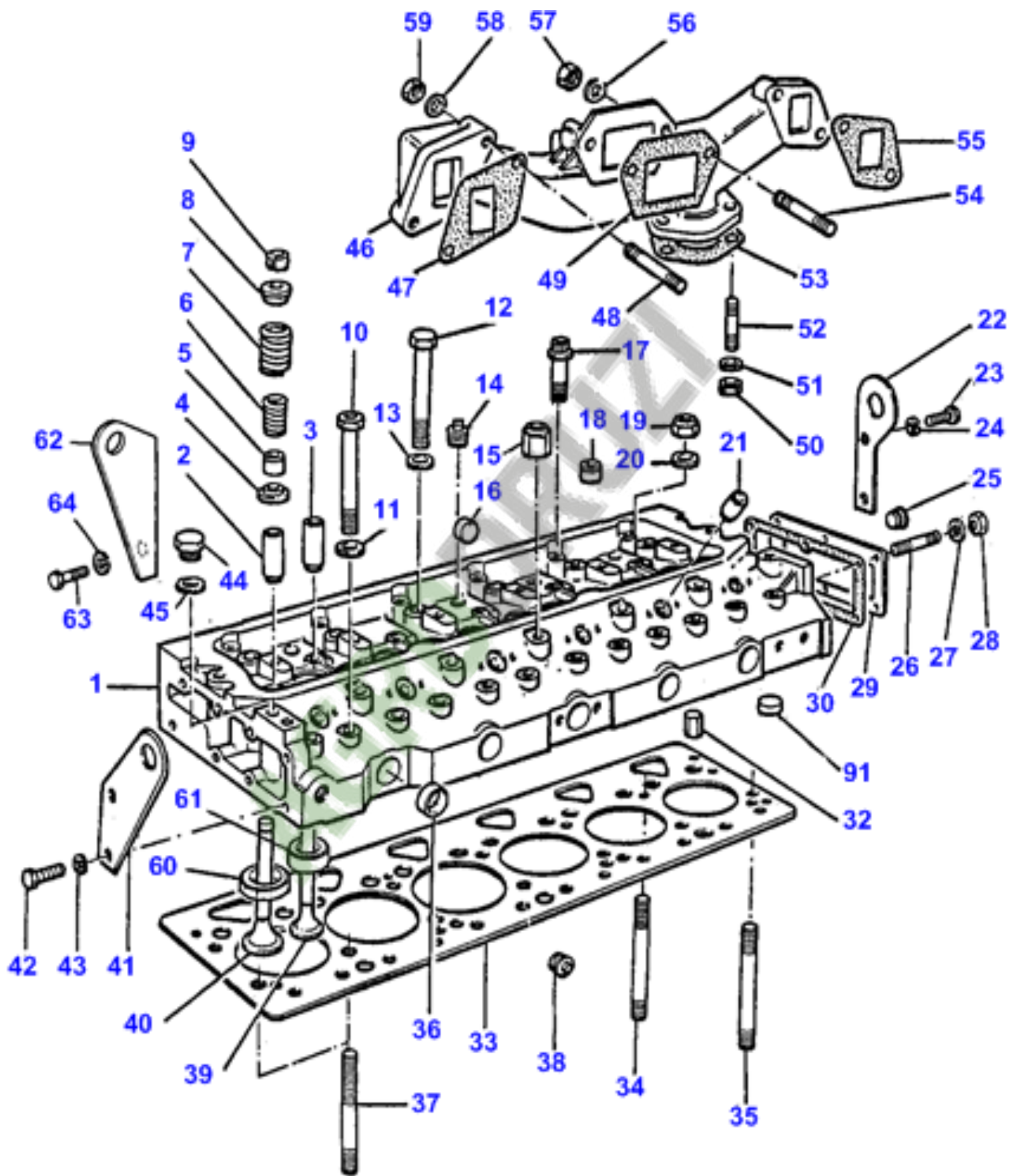
530

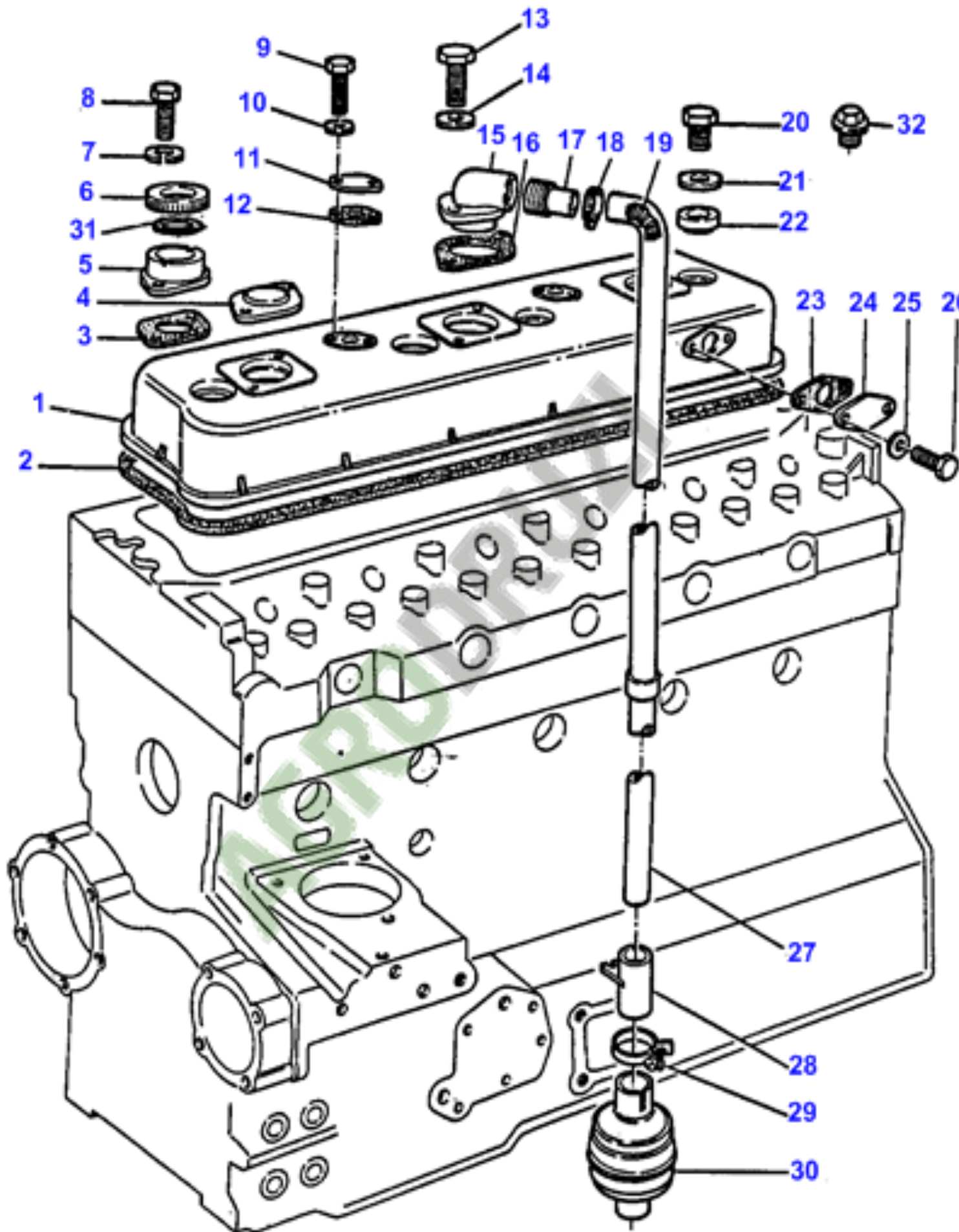
AGROONLINE

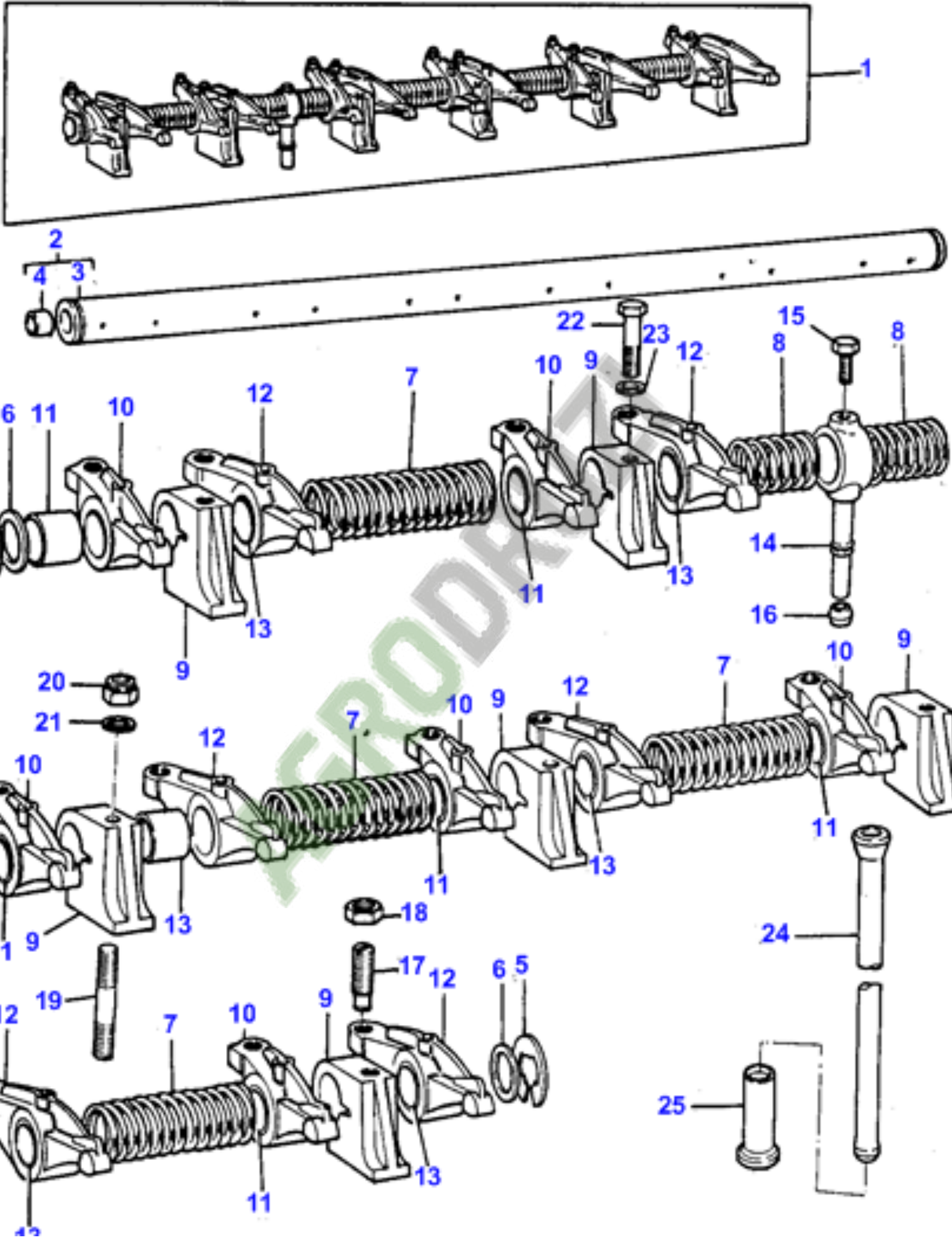


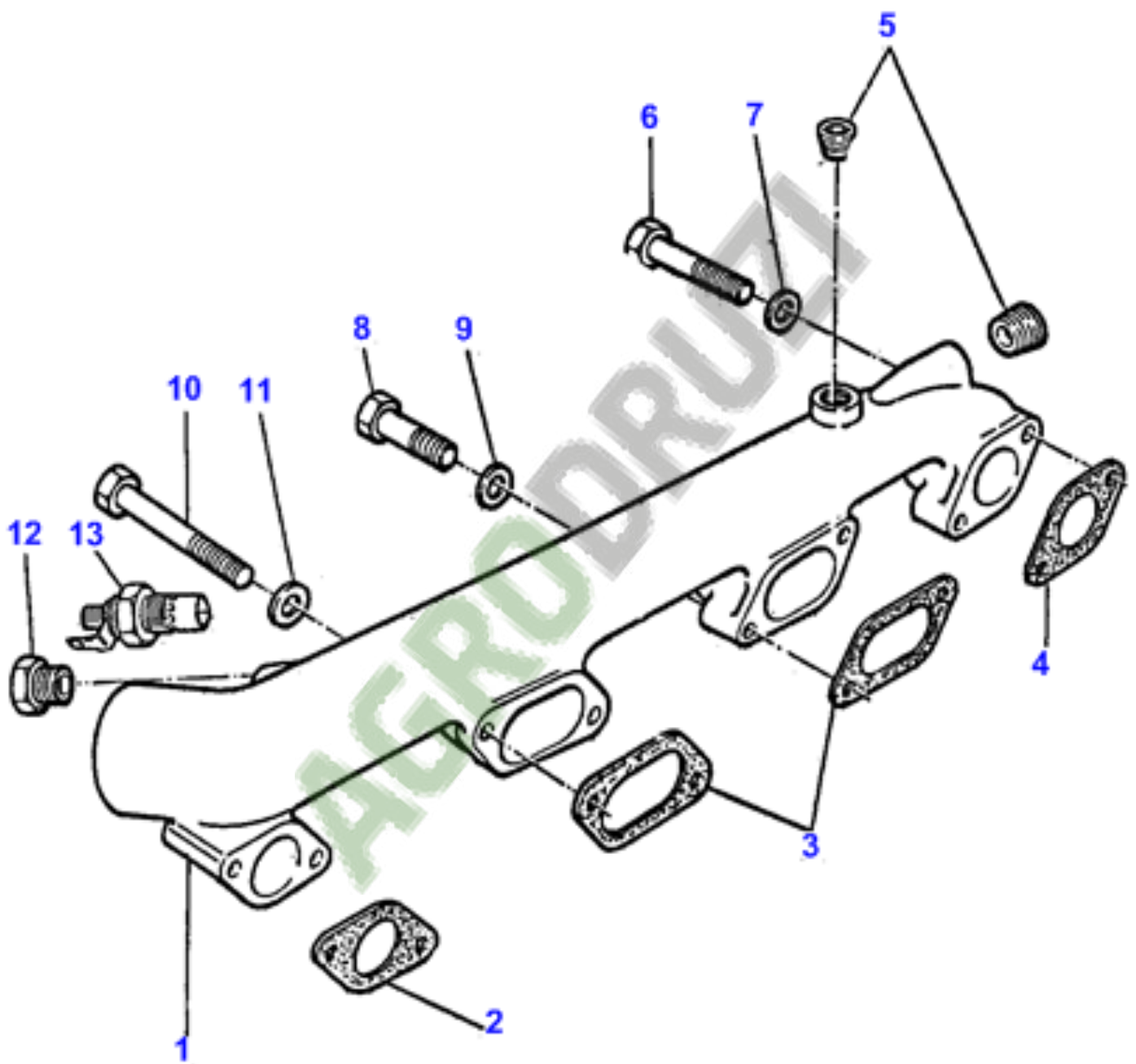


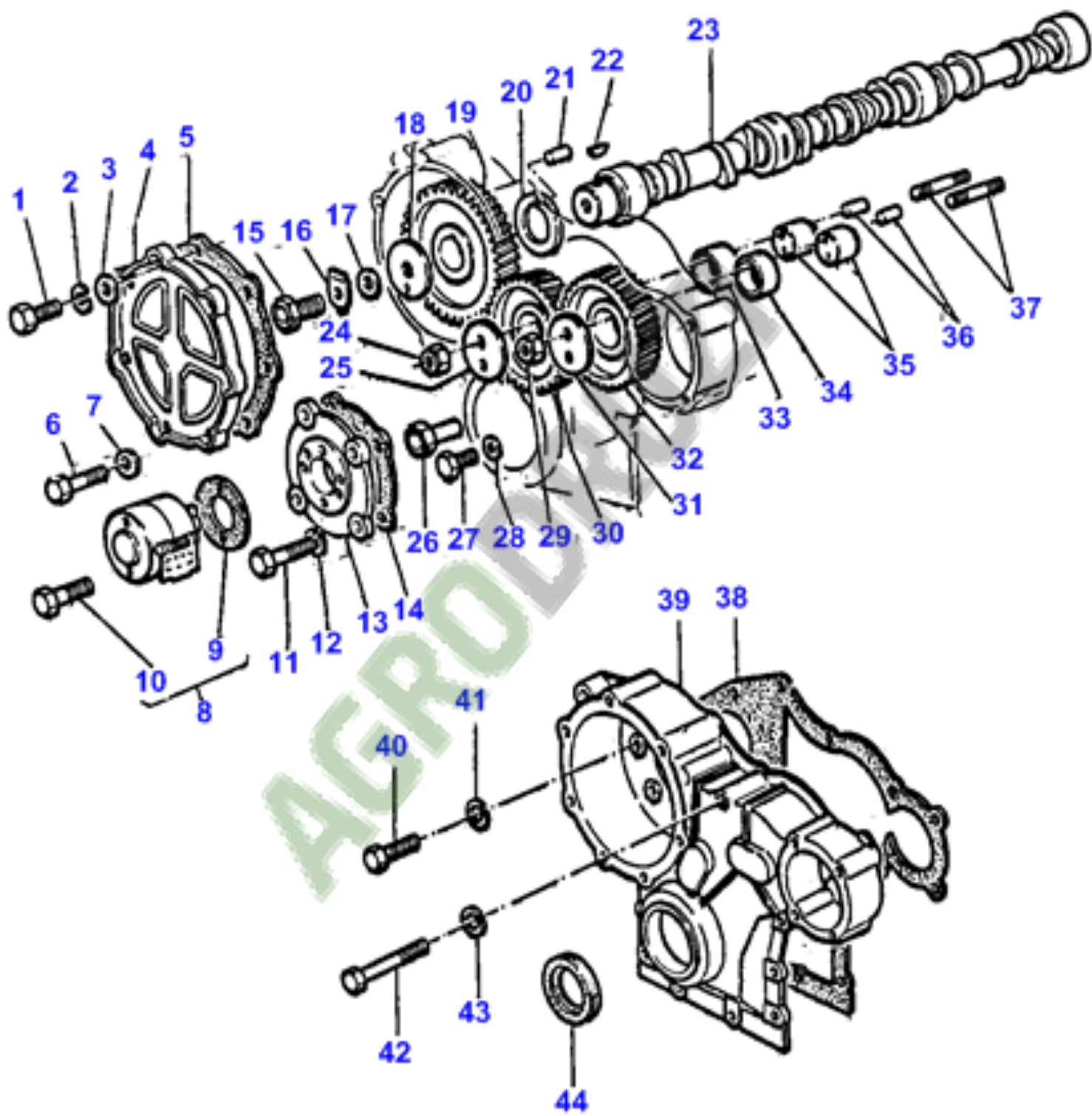


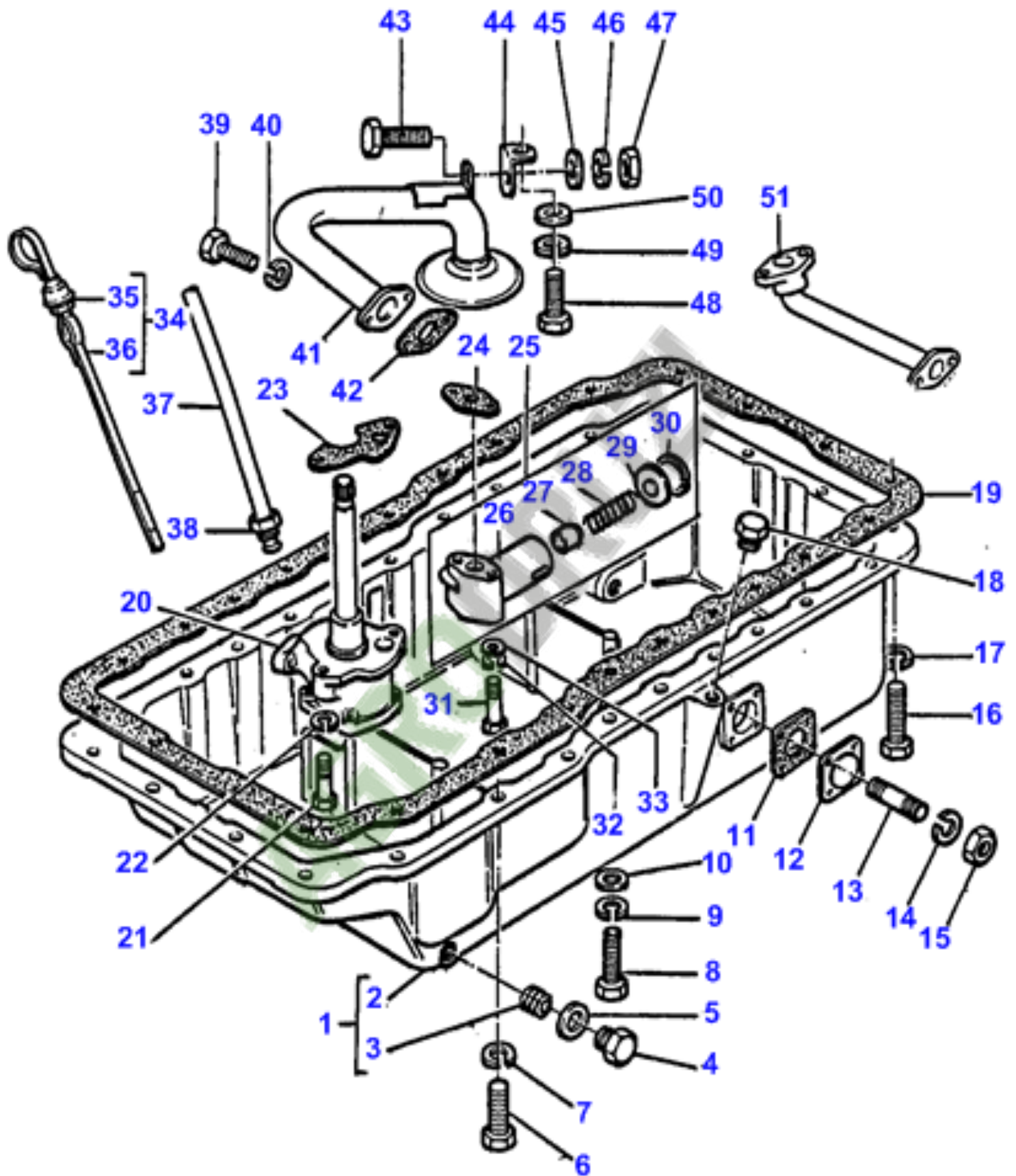


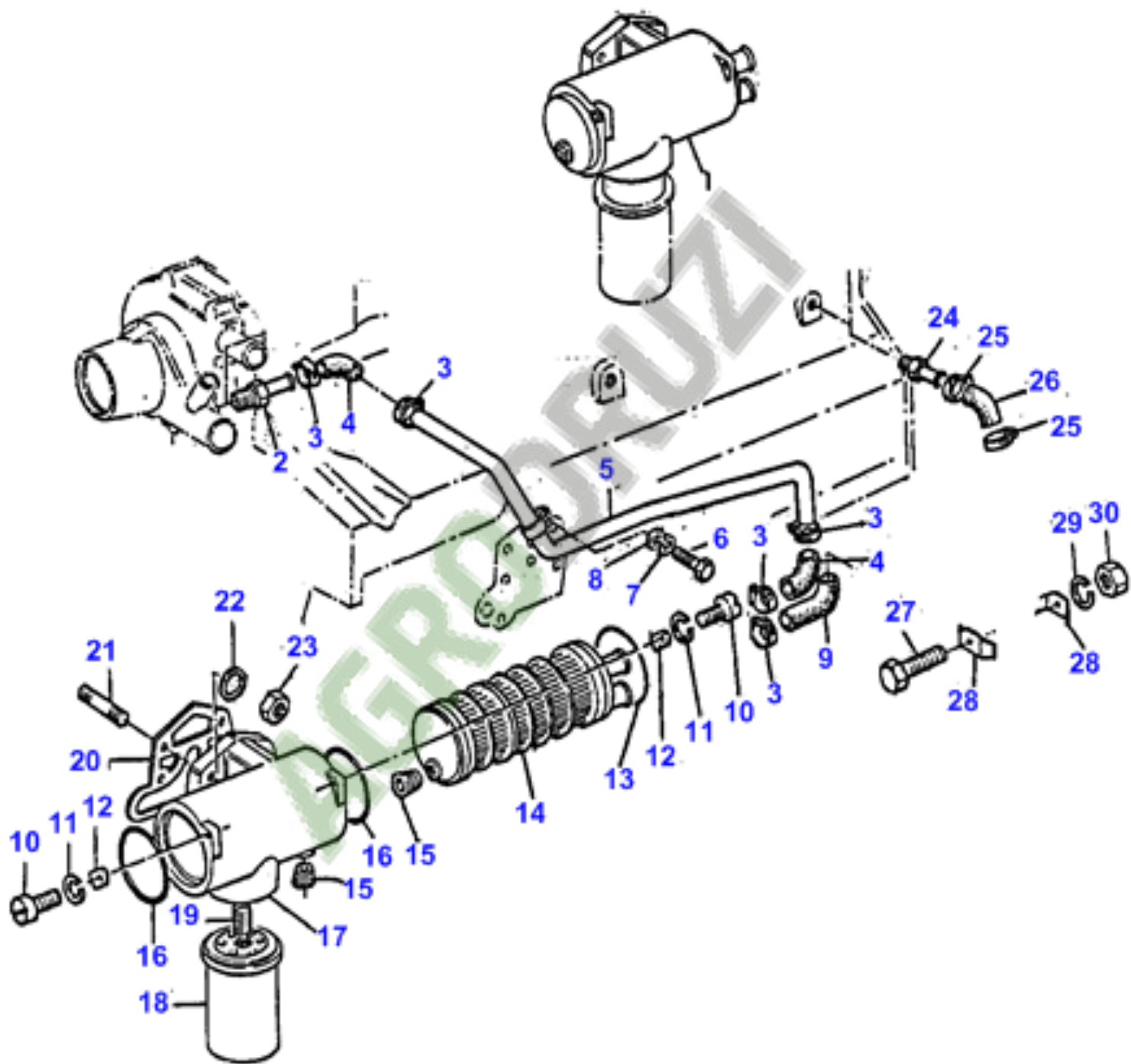


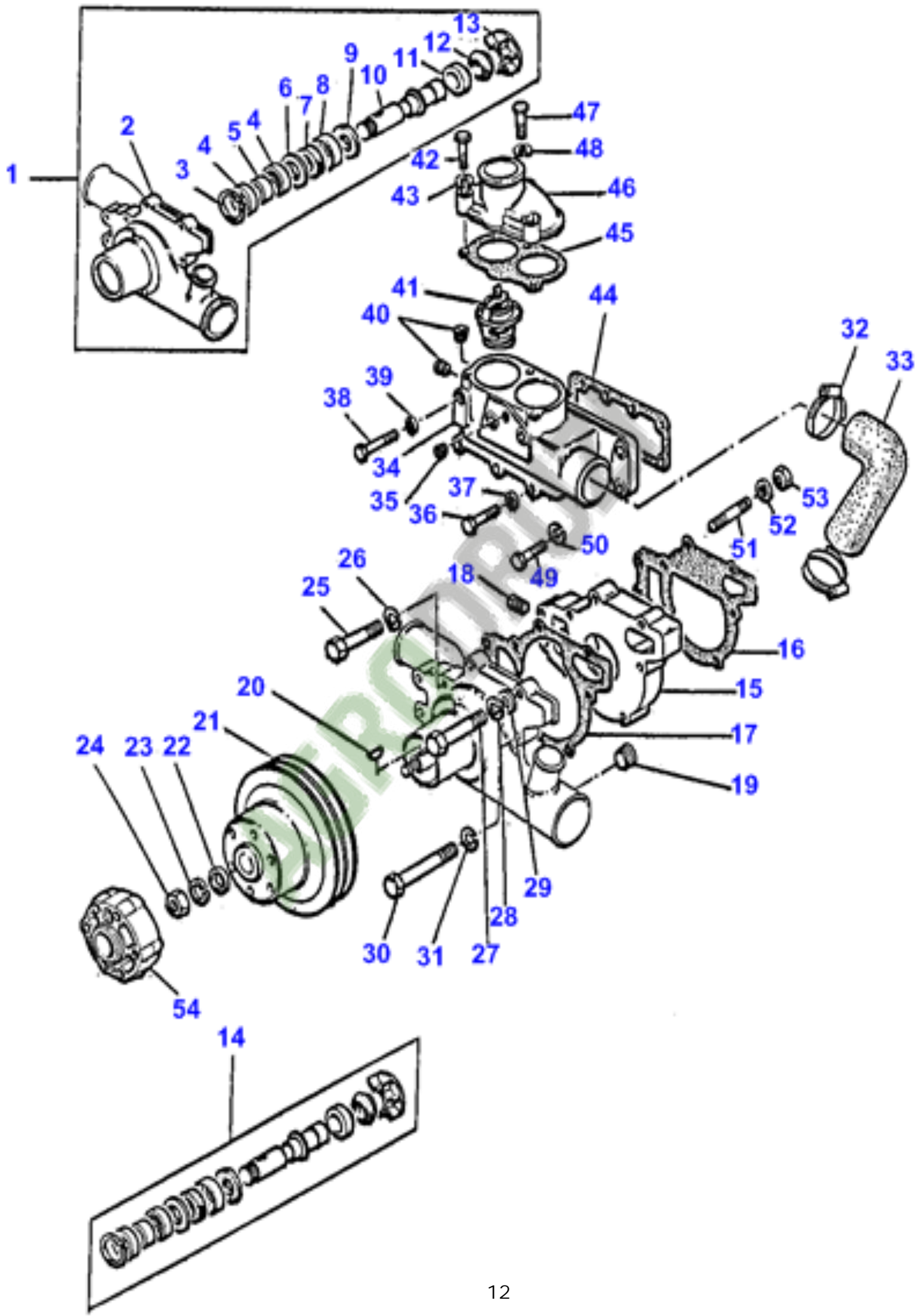


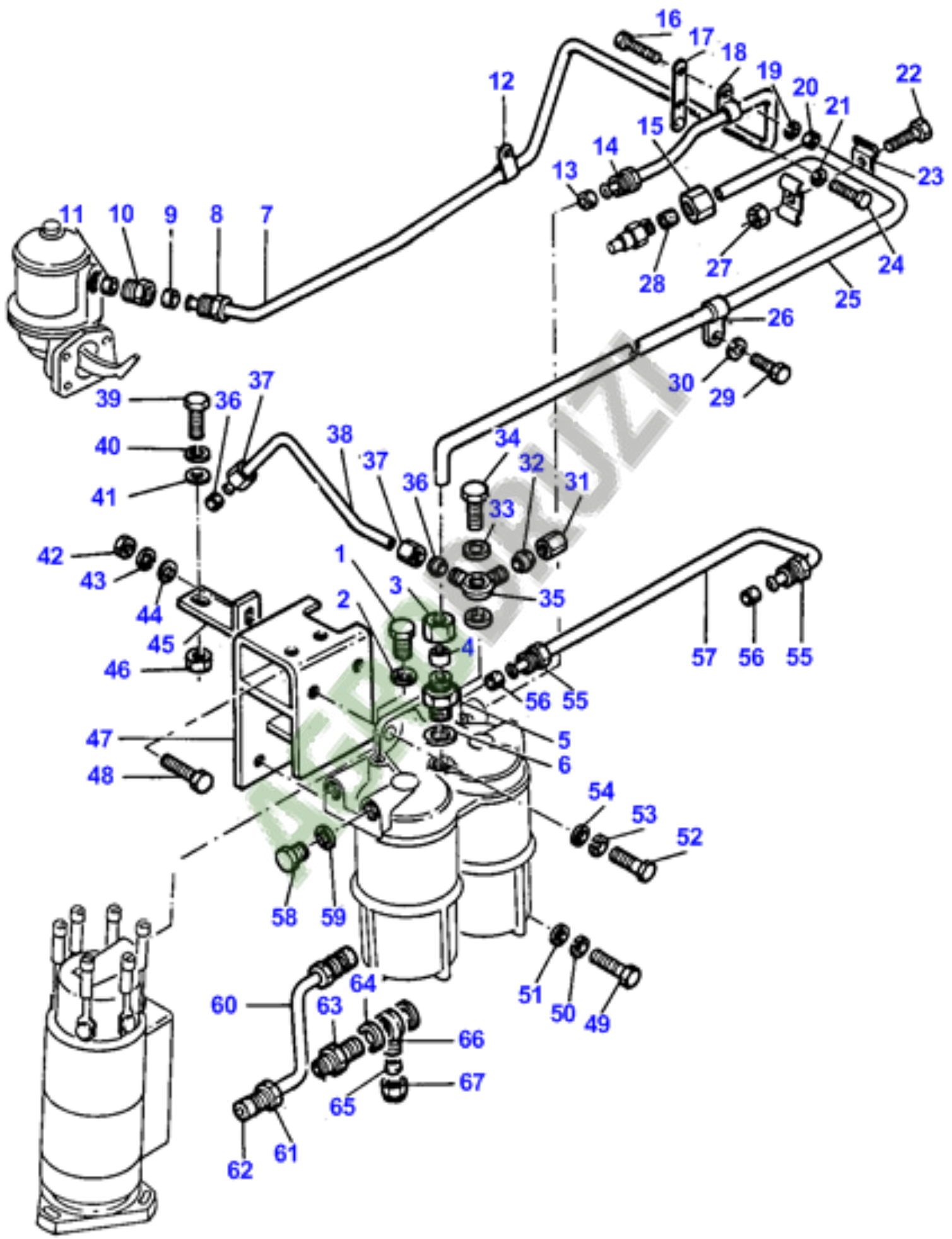


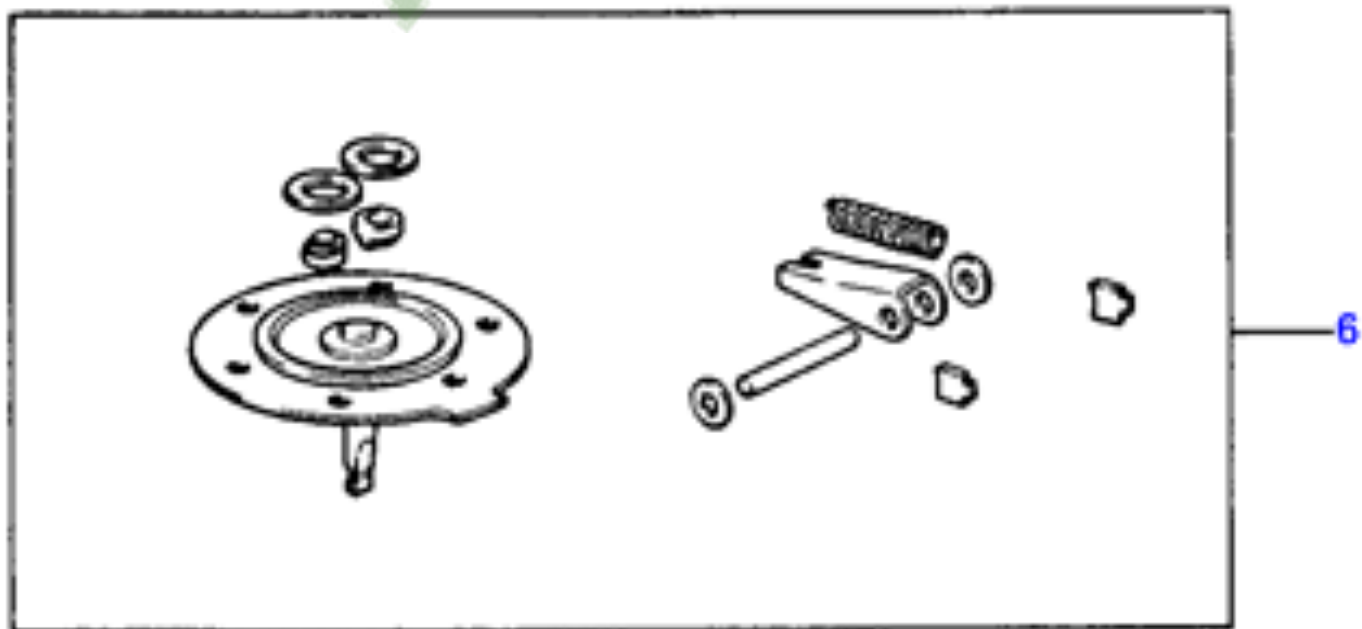
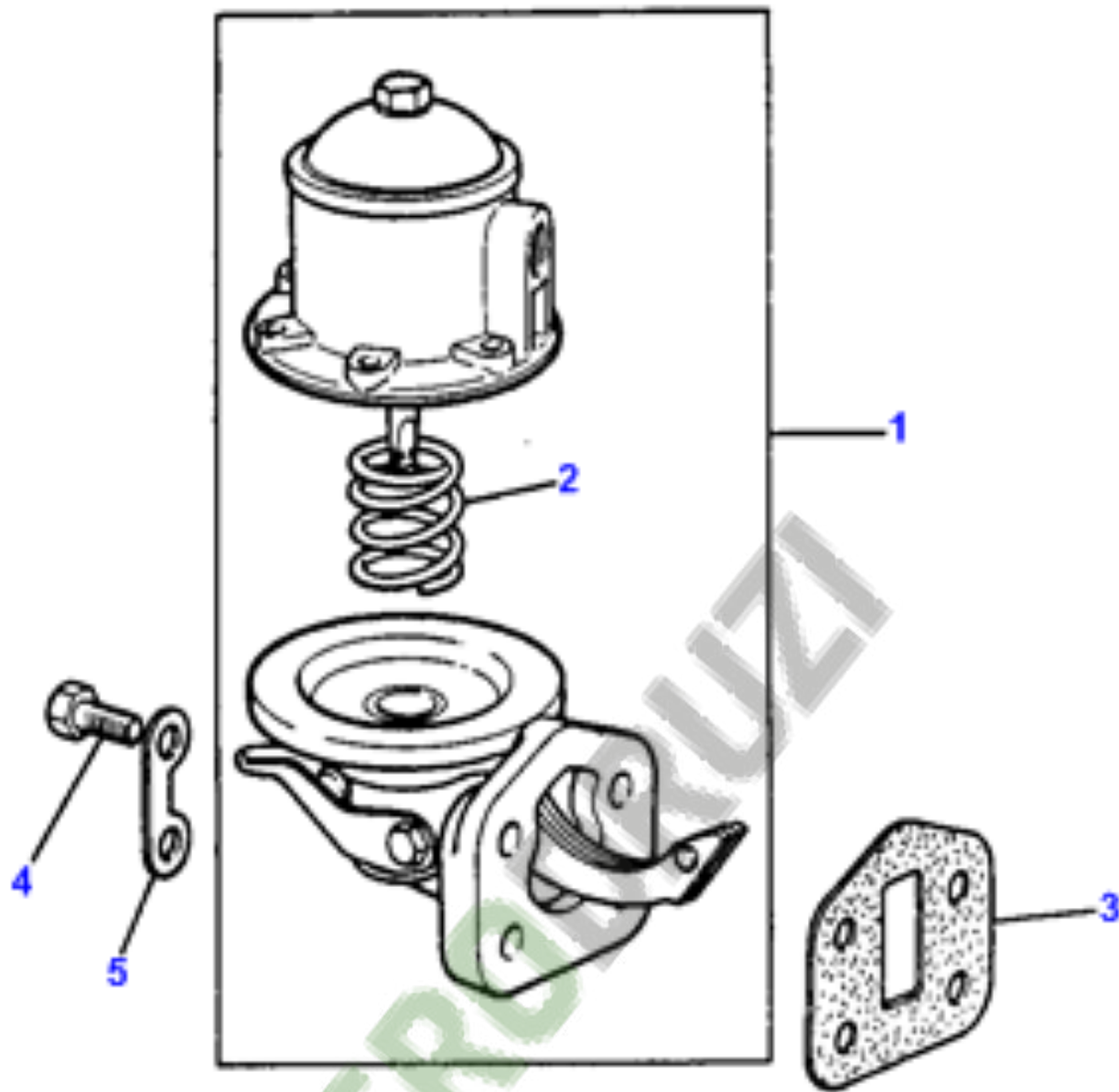


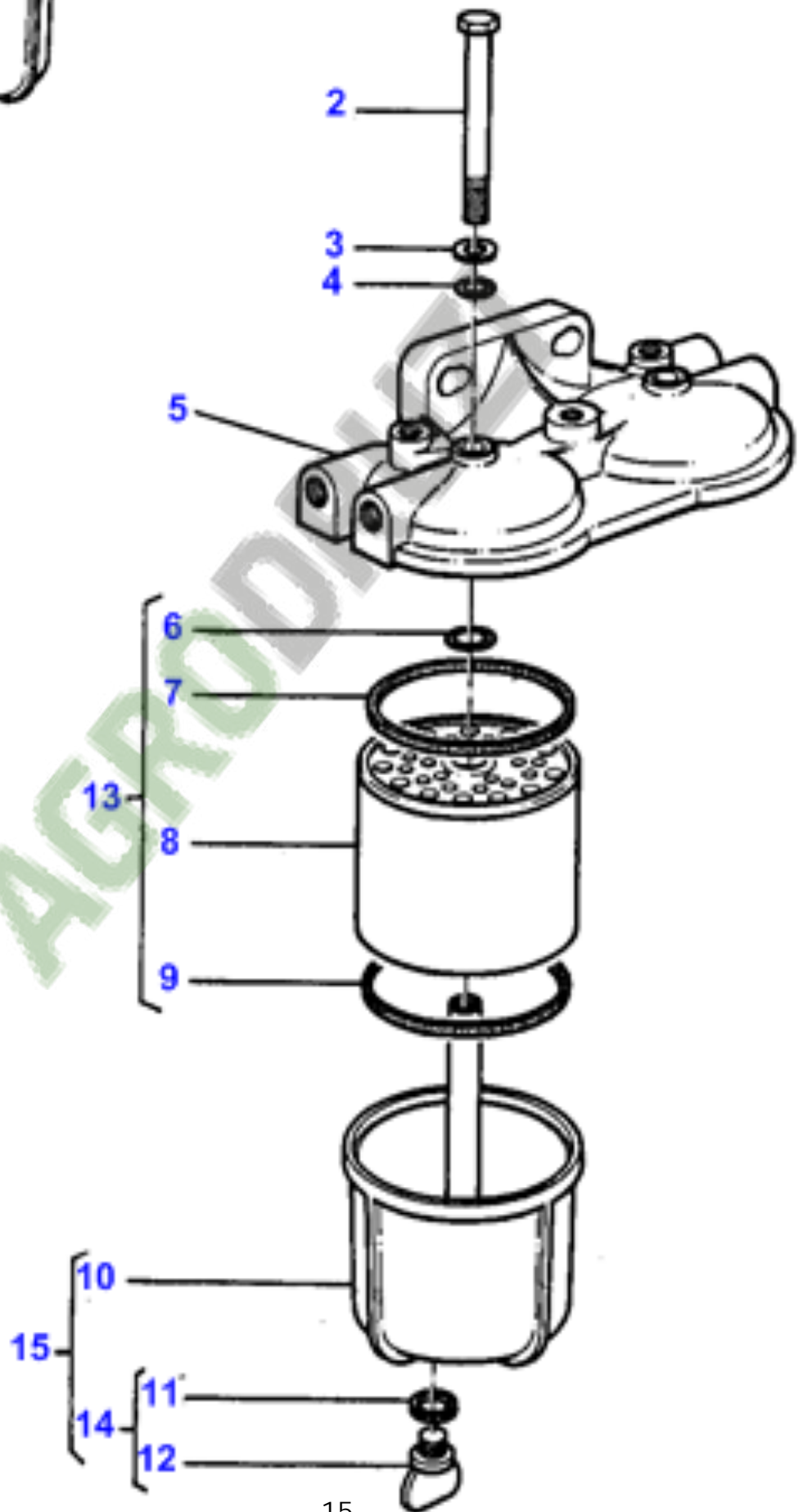
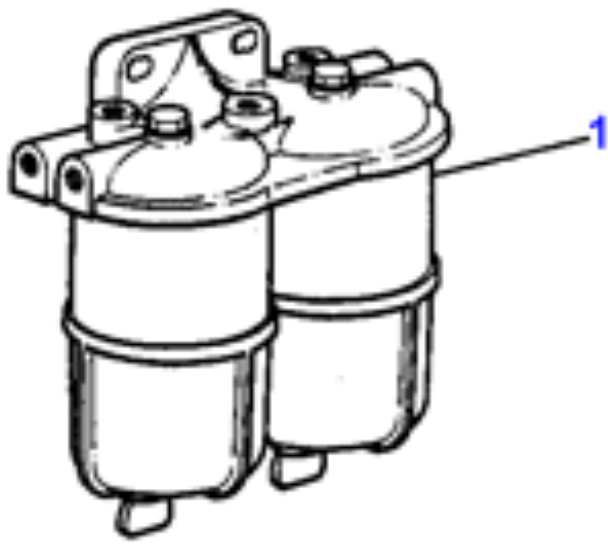


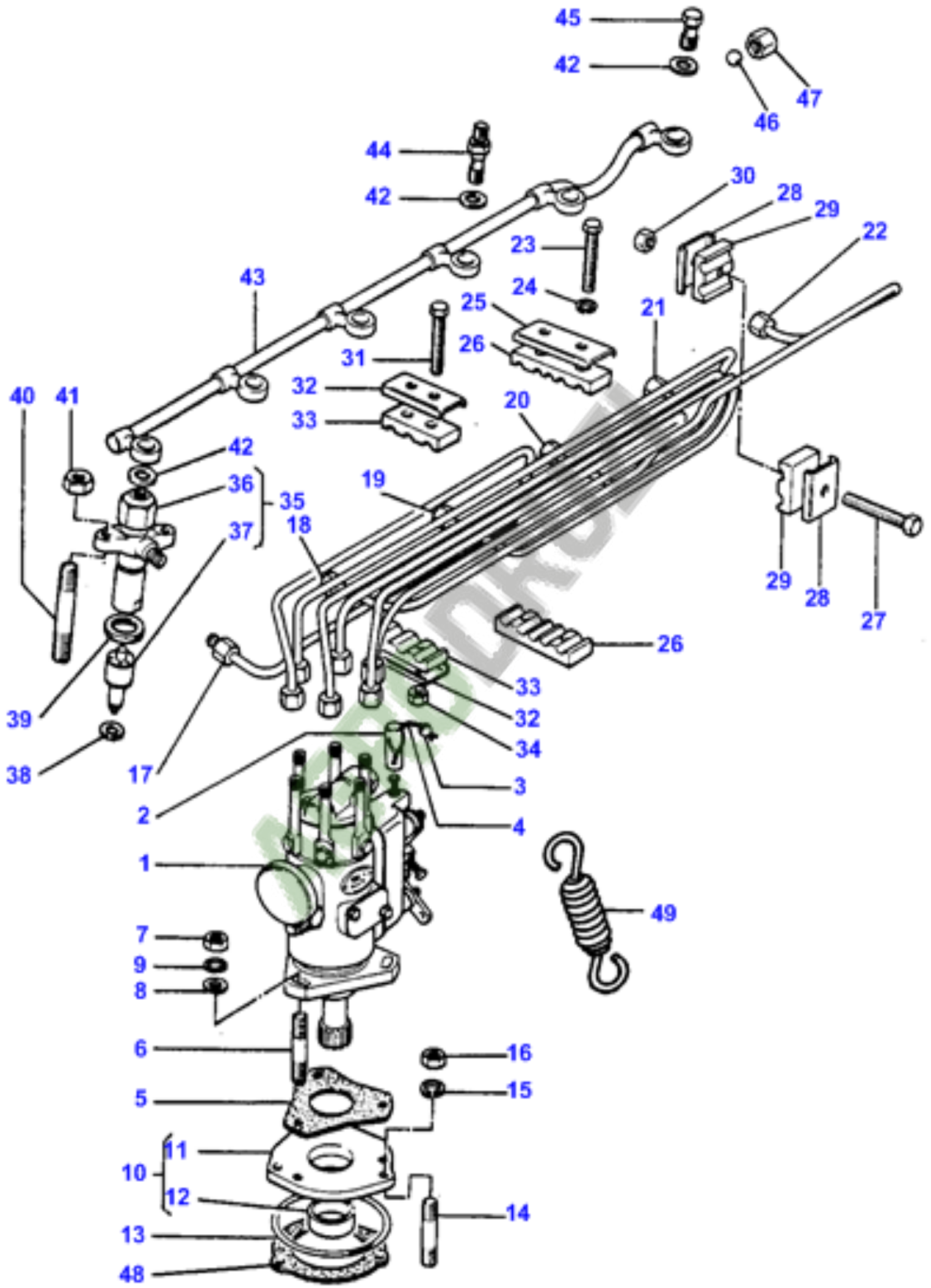


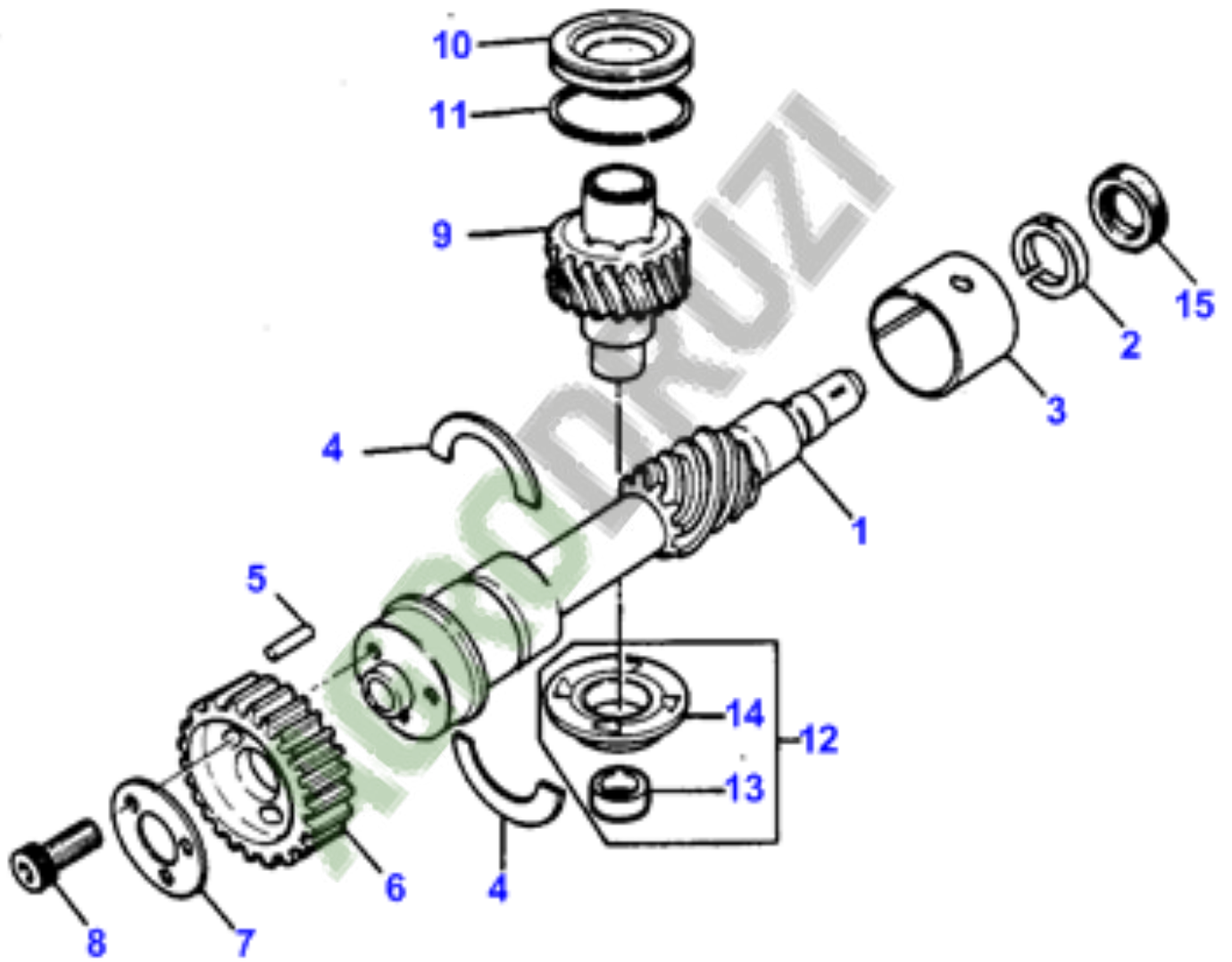


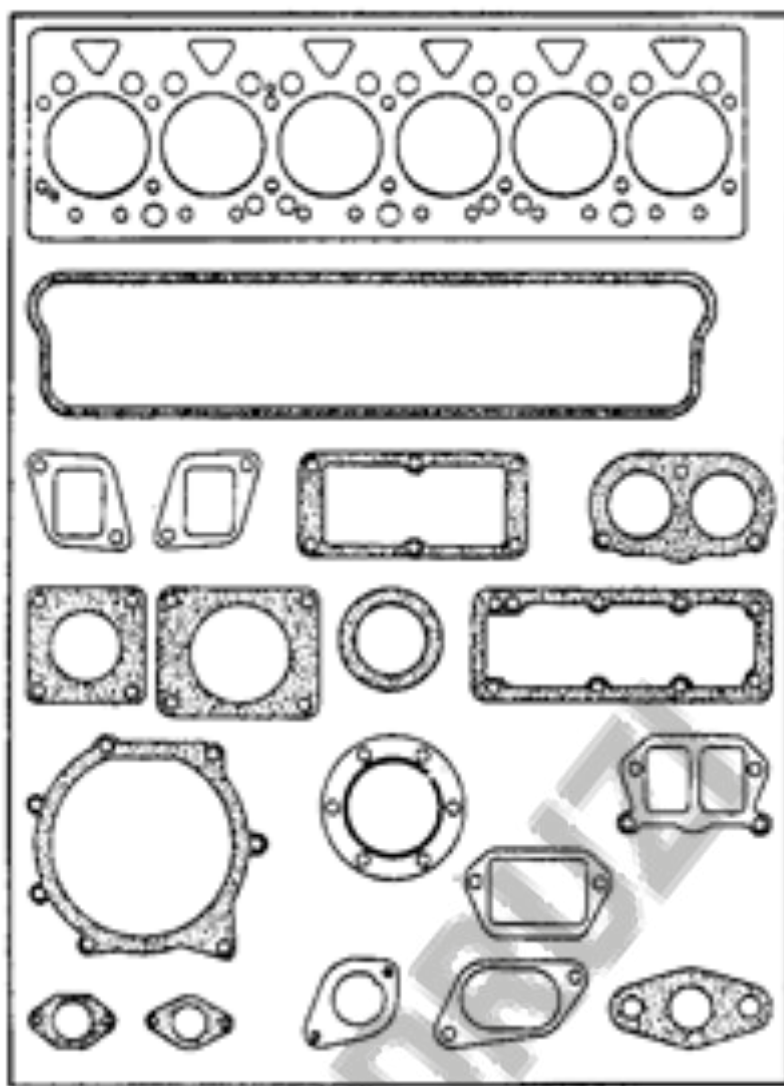


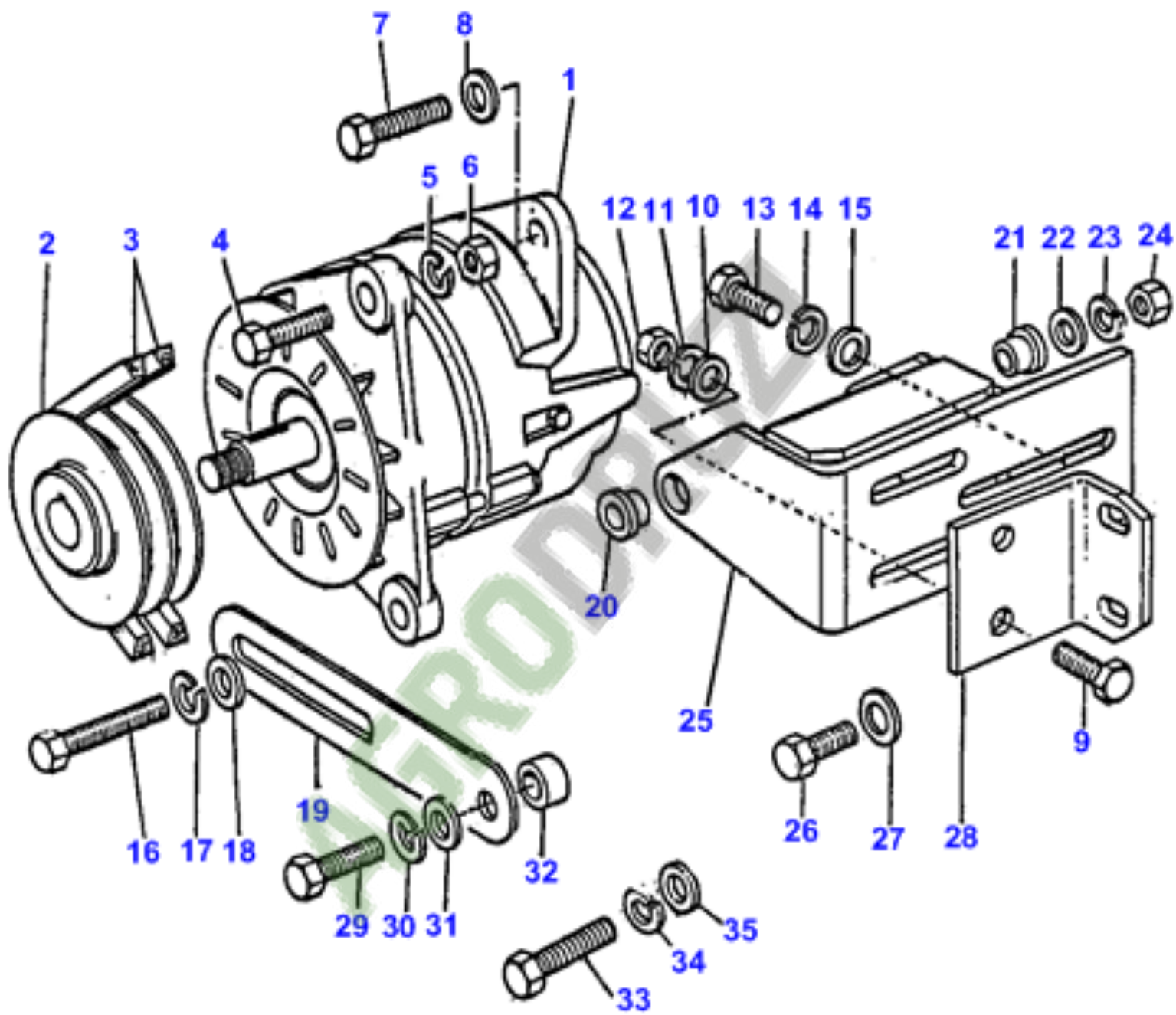


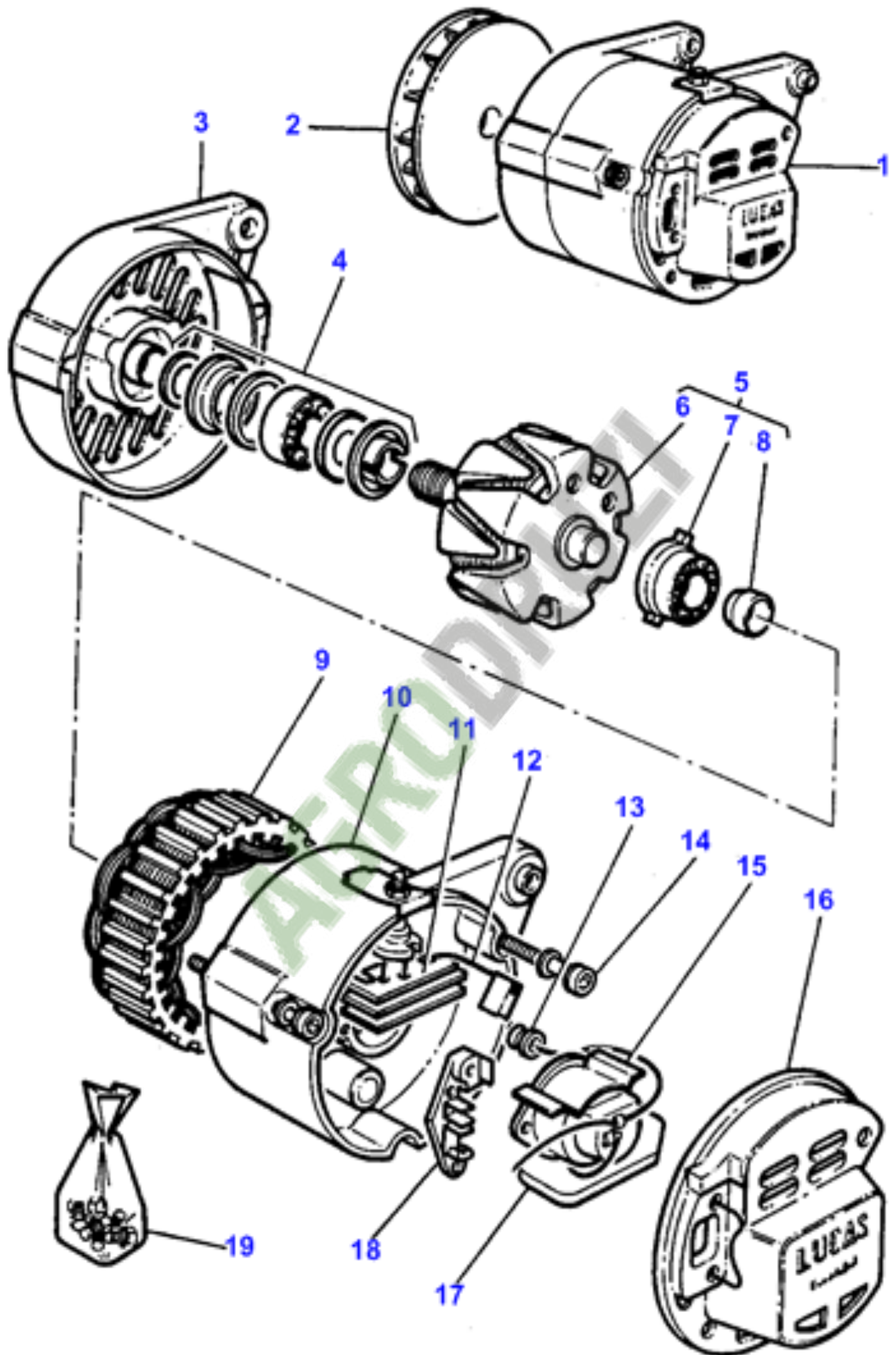


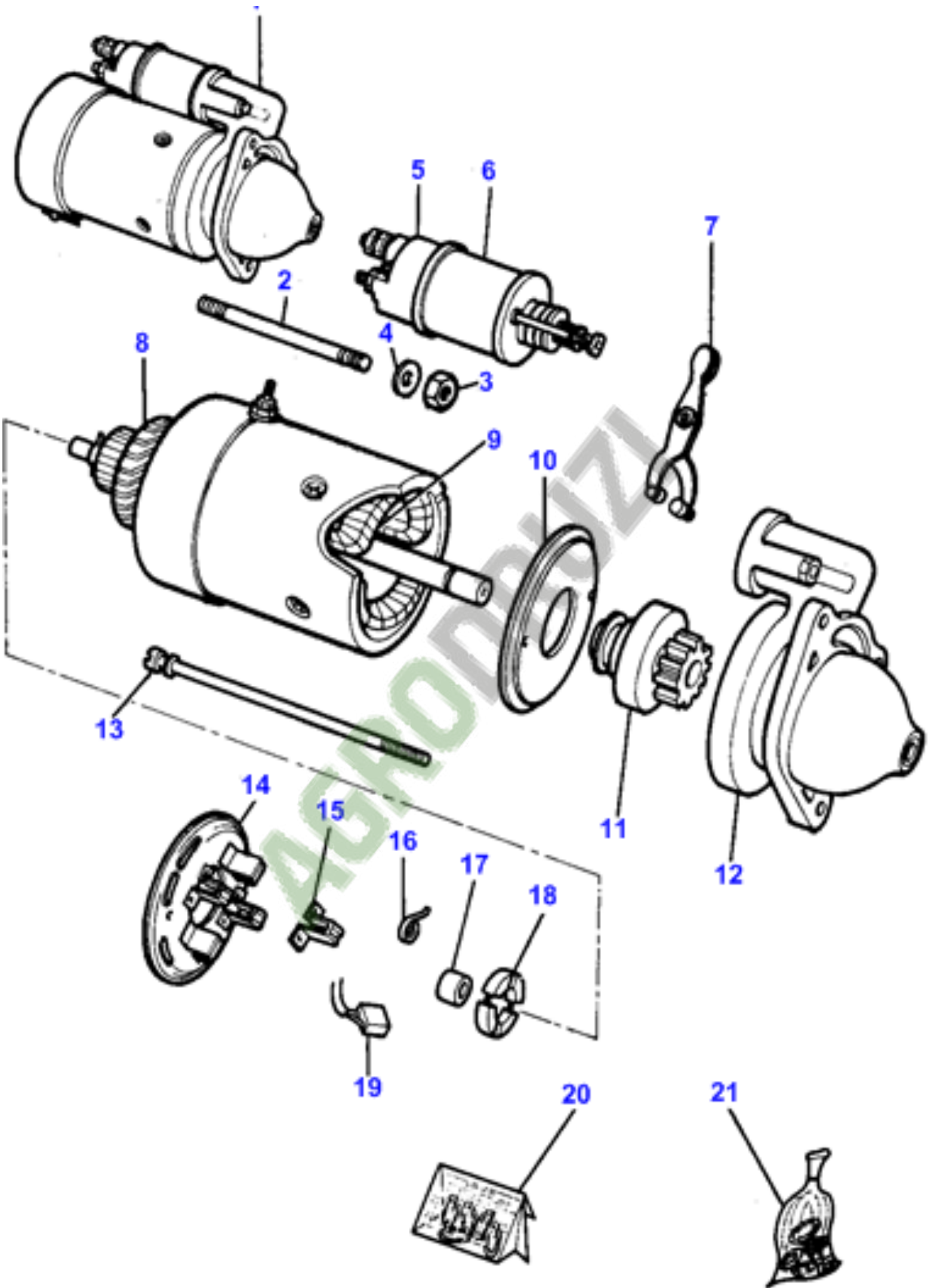


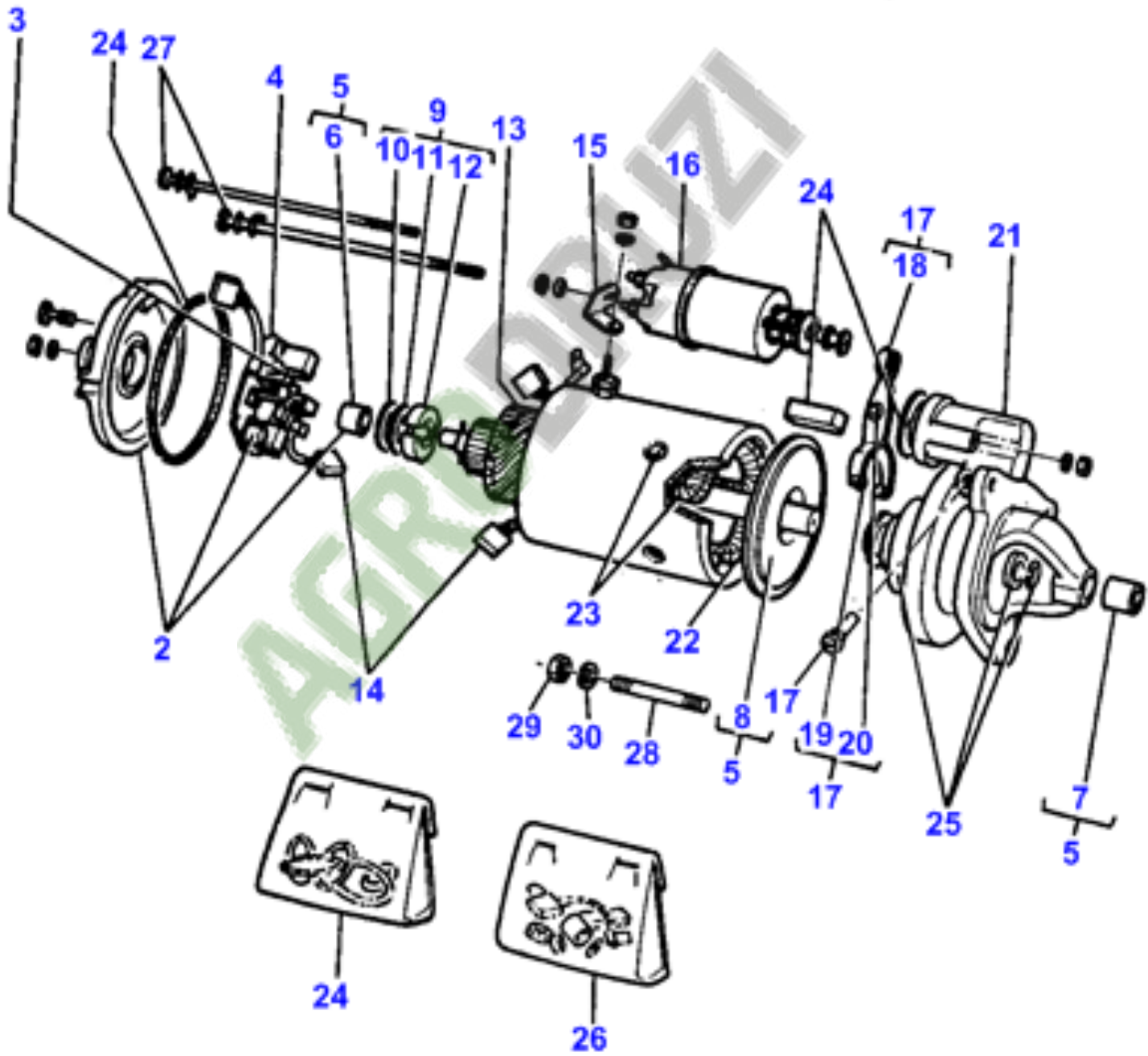
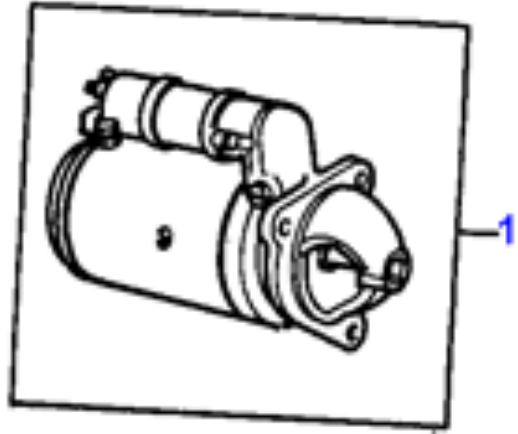


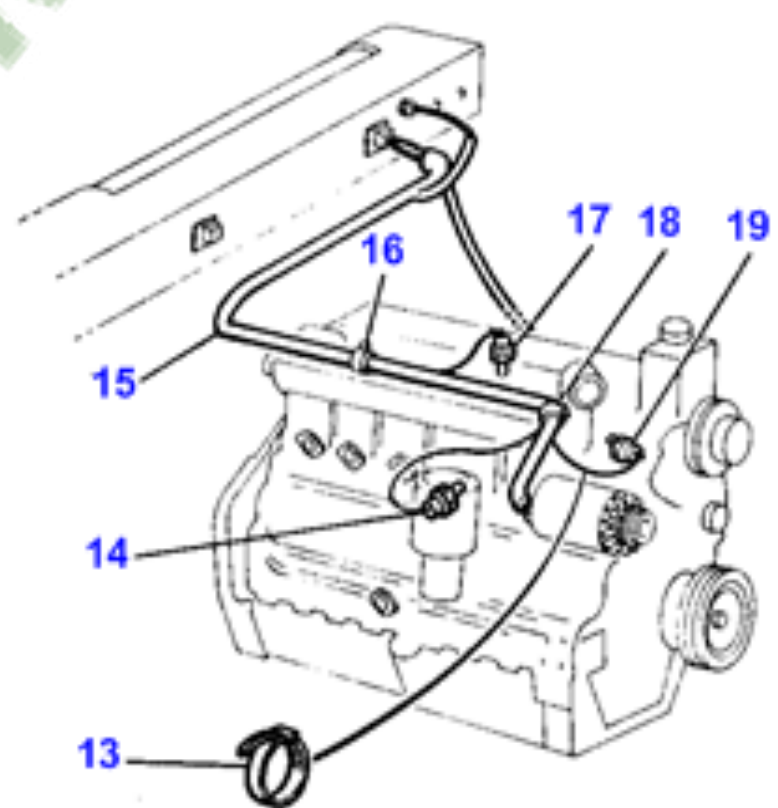
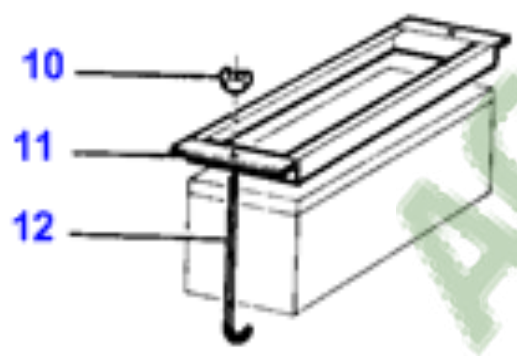
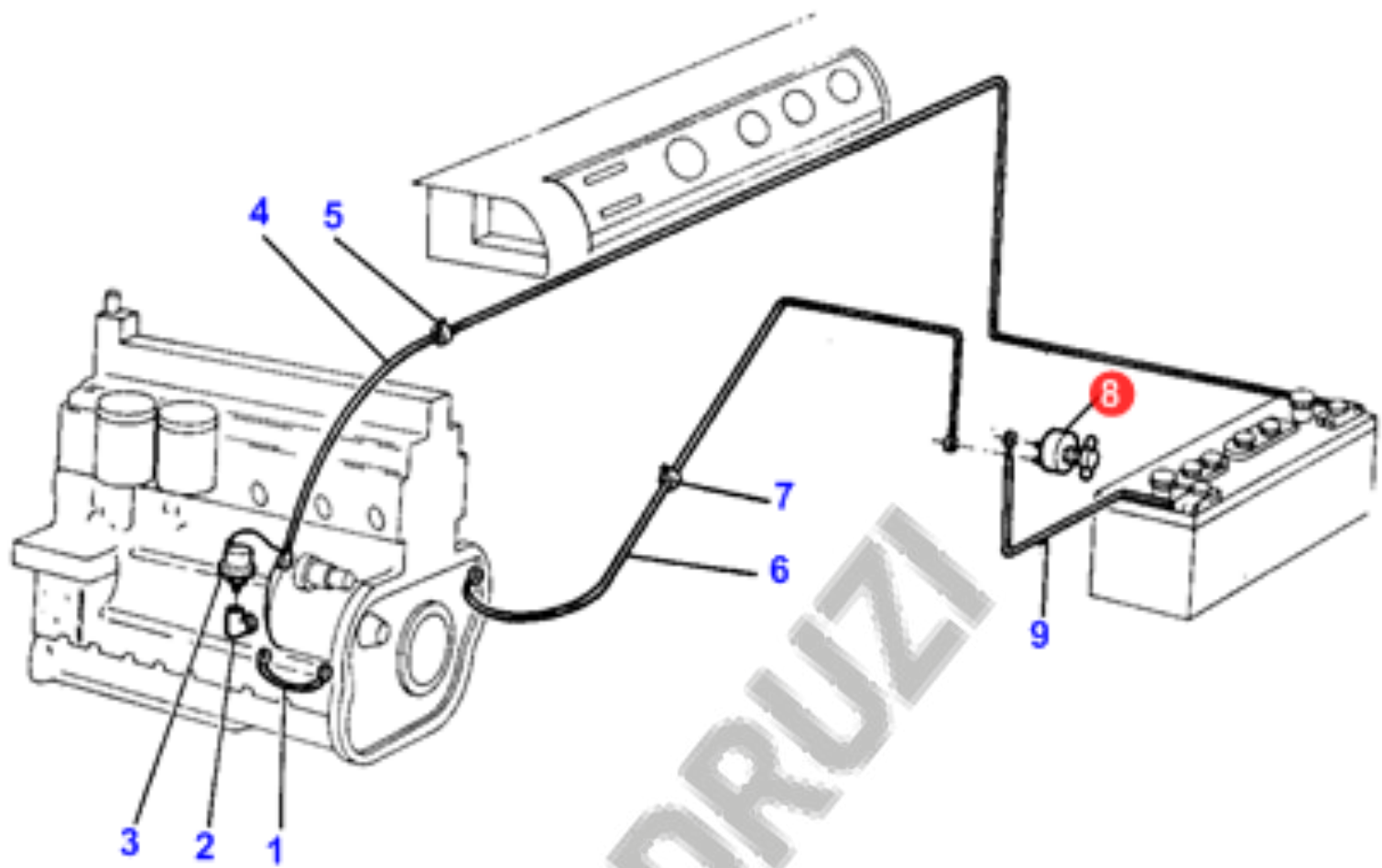


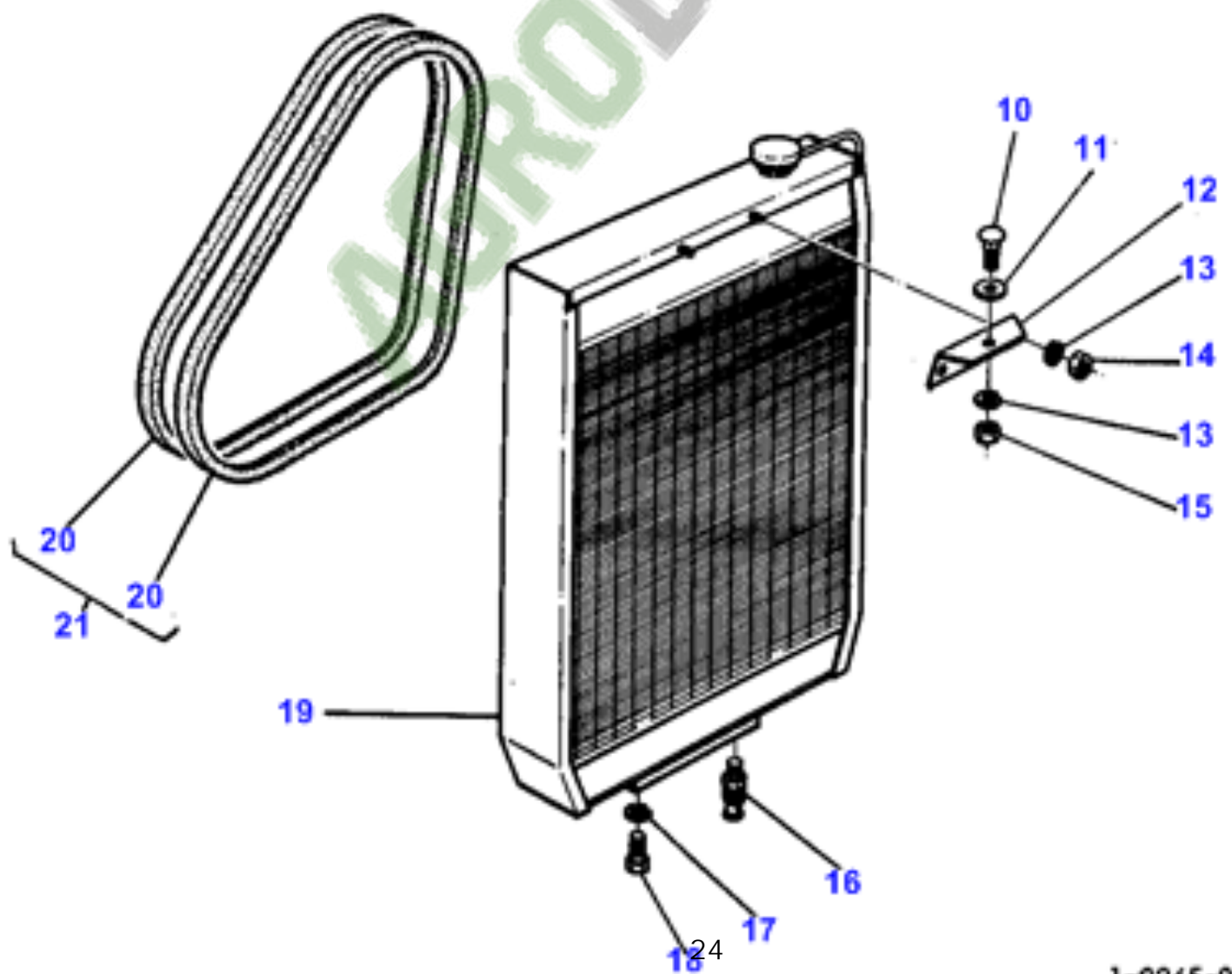
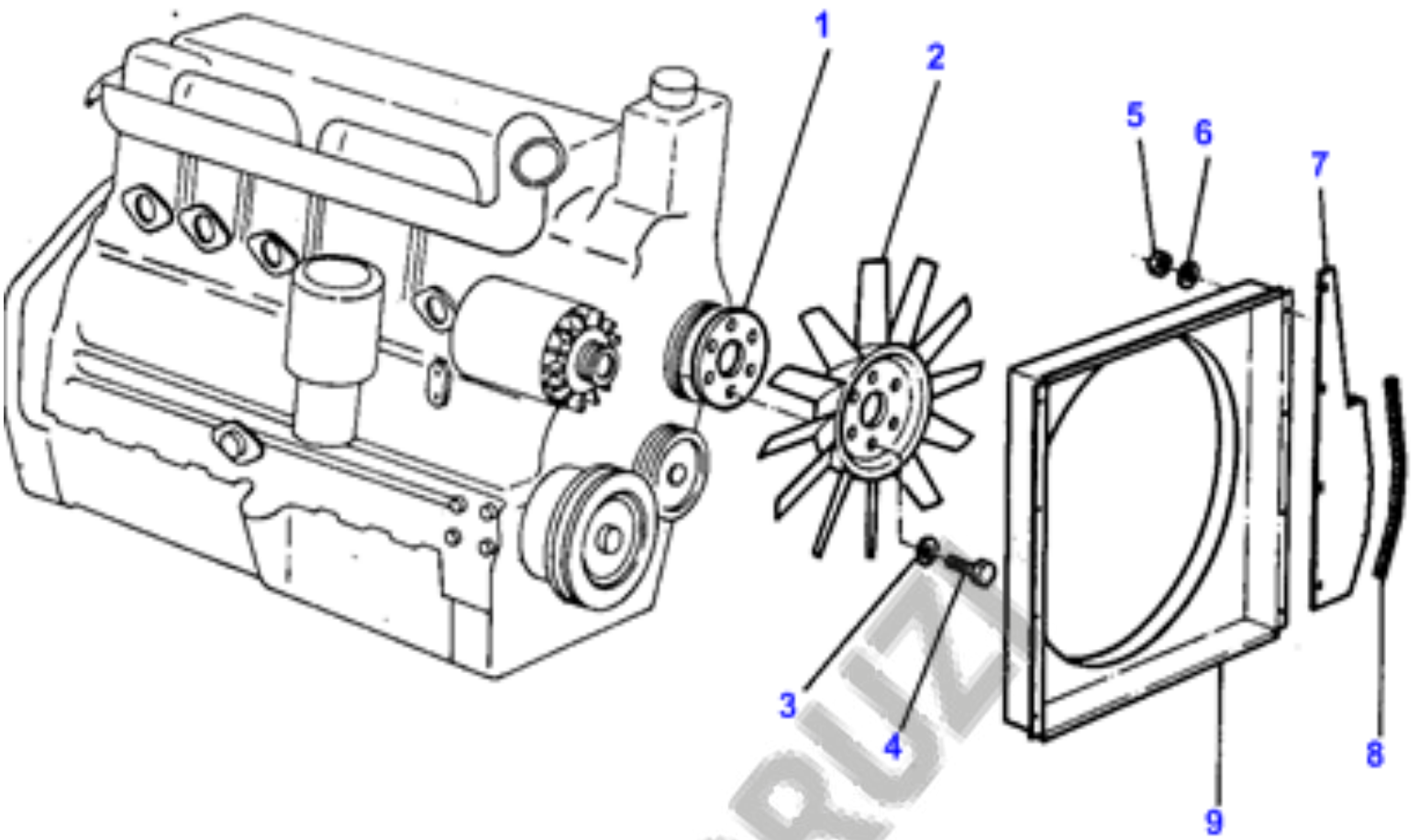


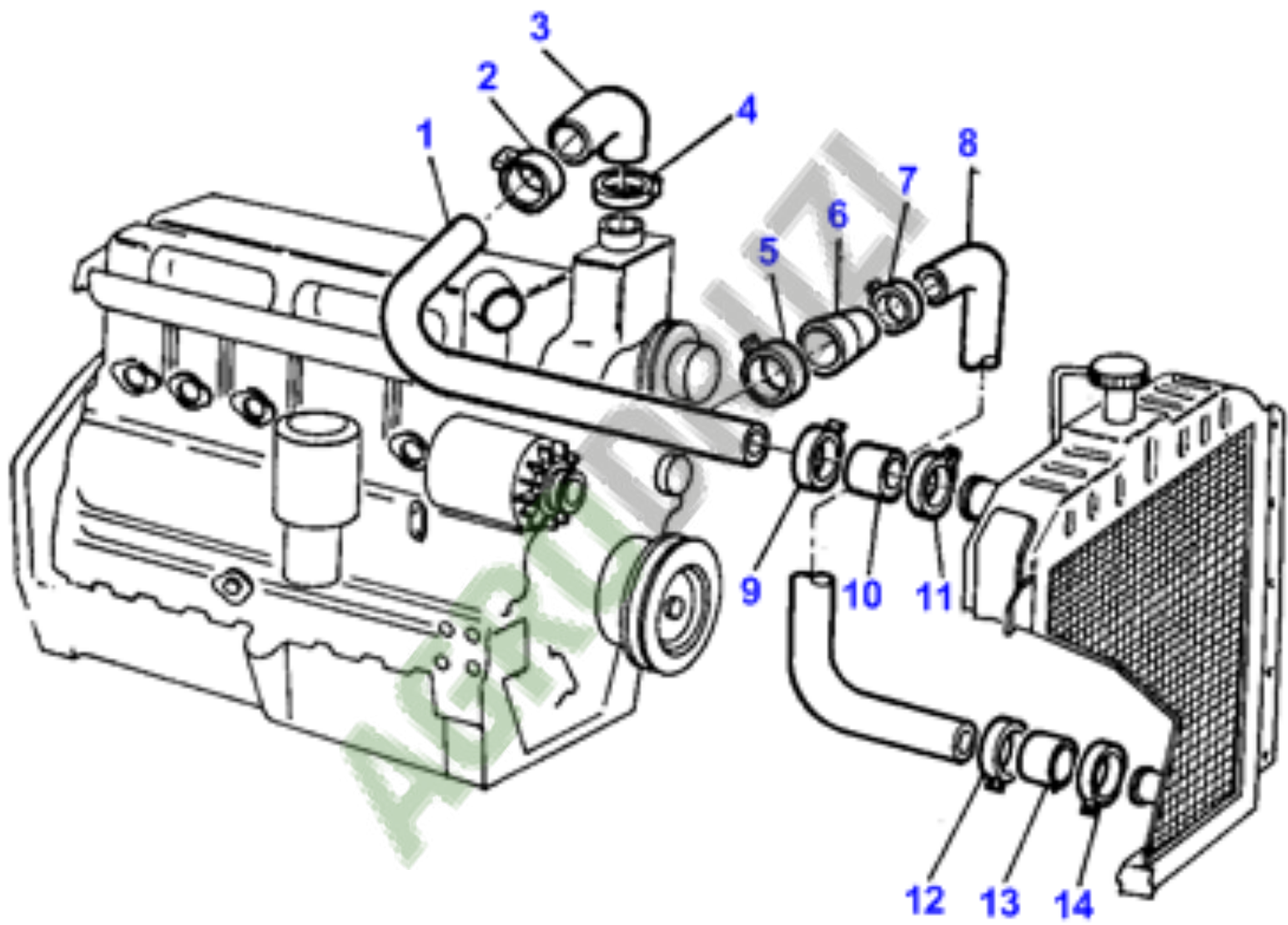


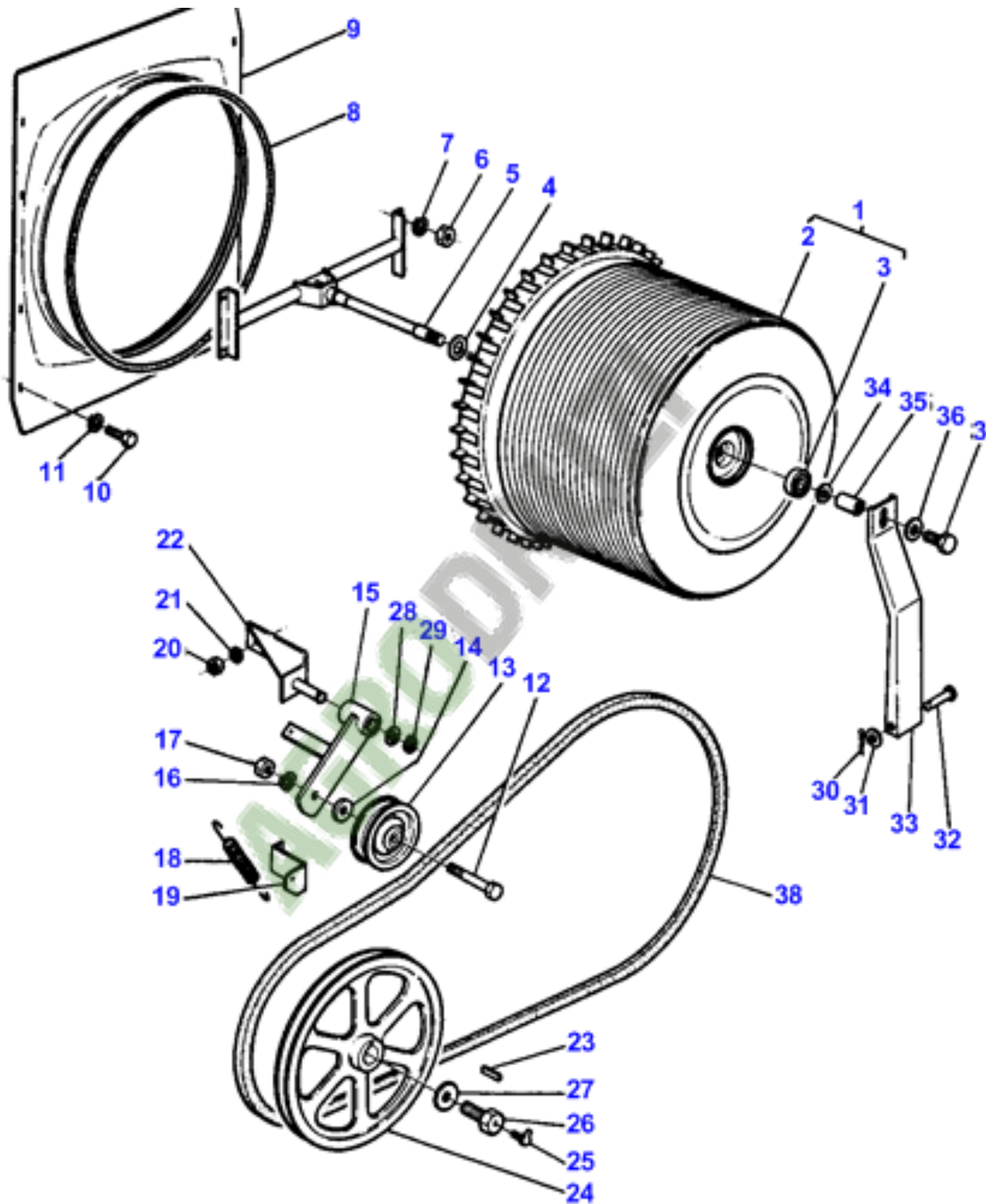


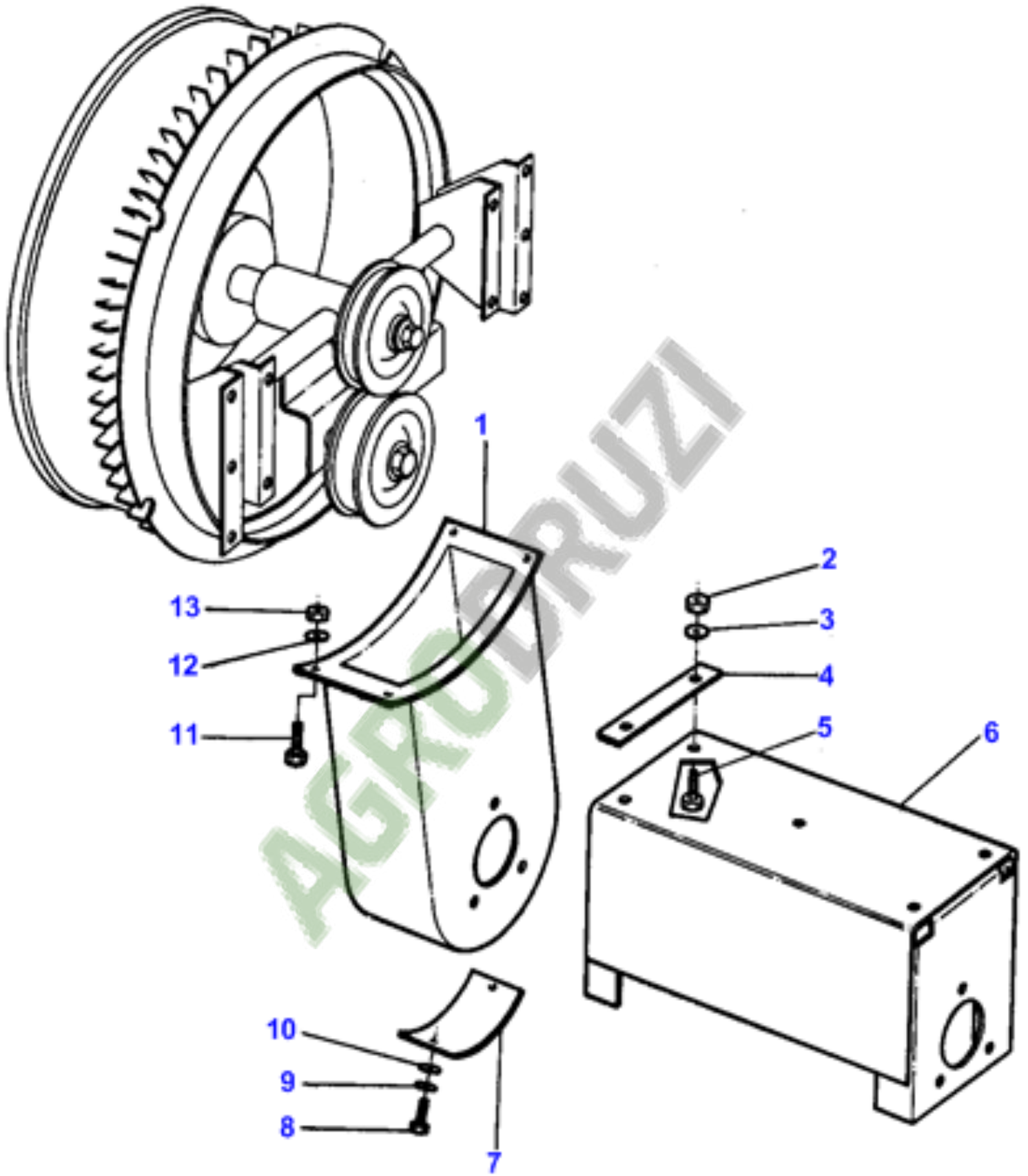


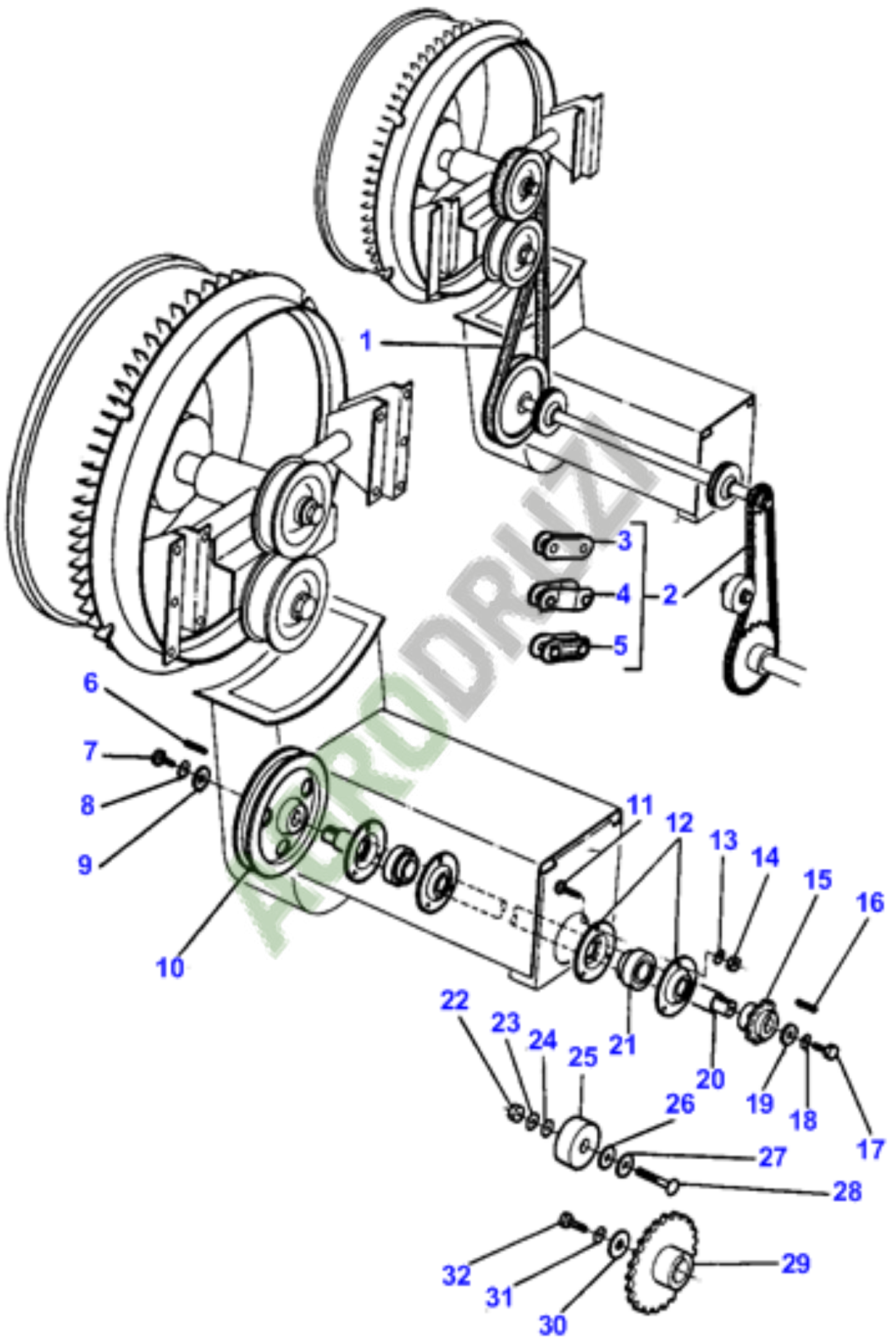


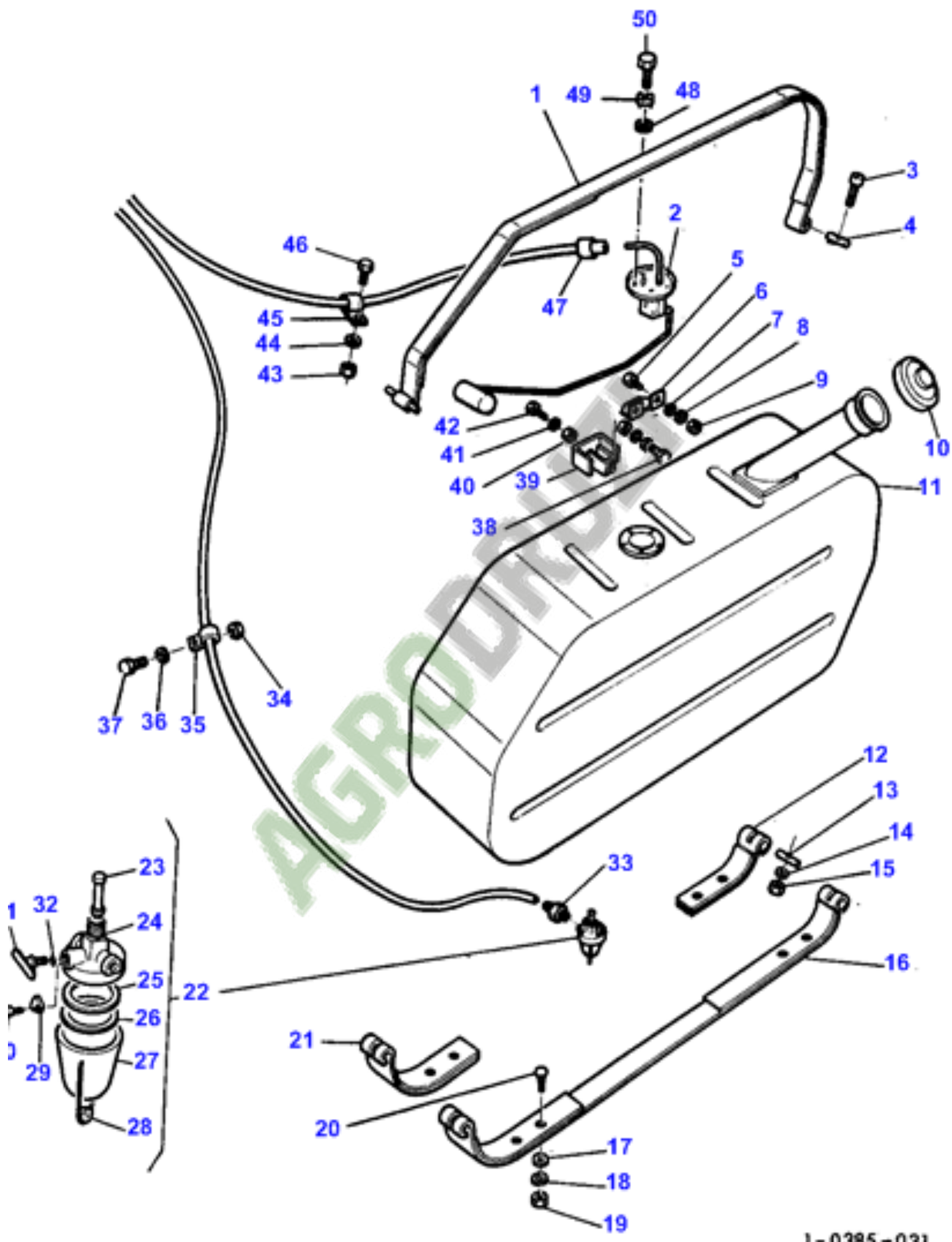




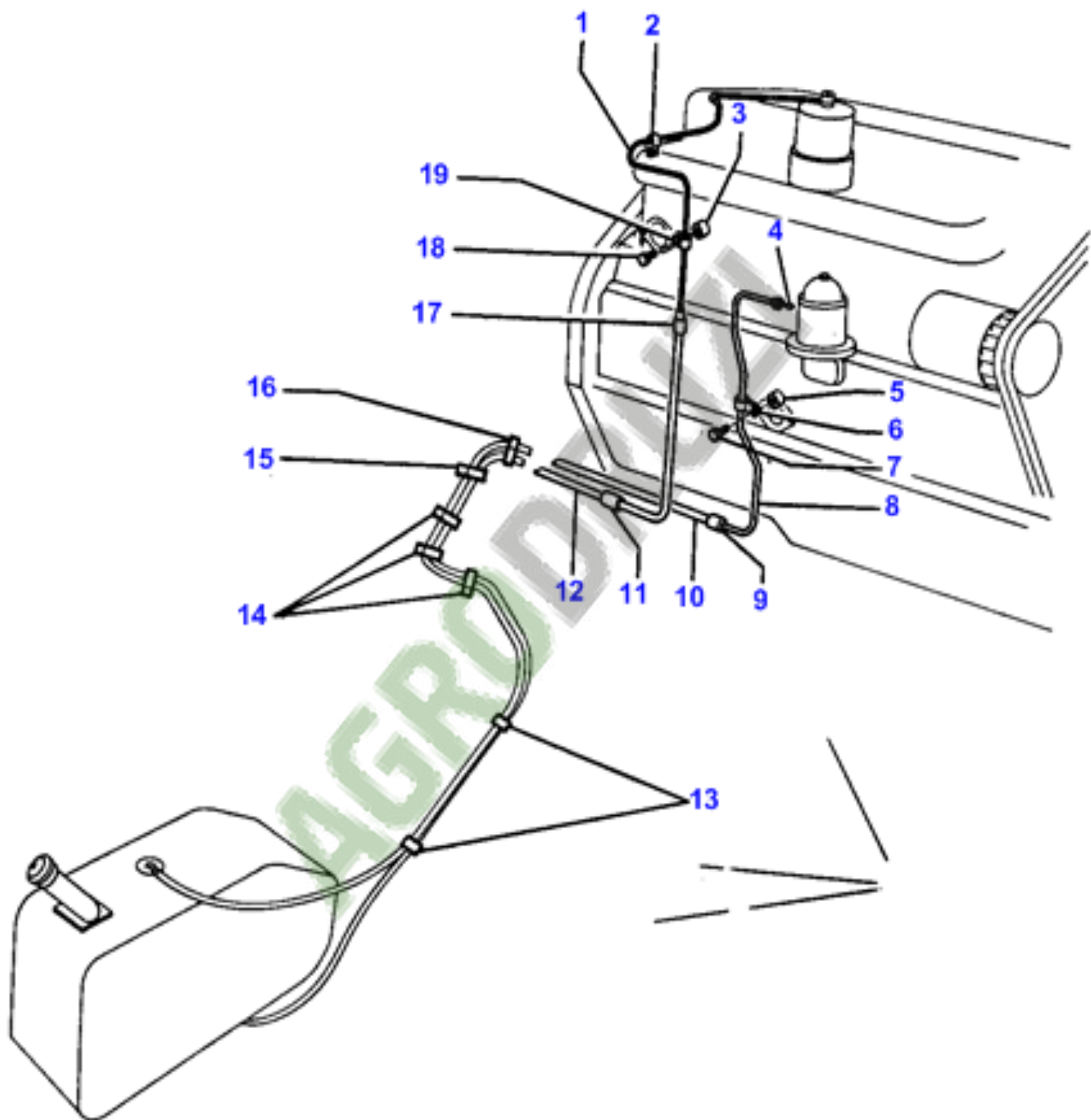


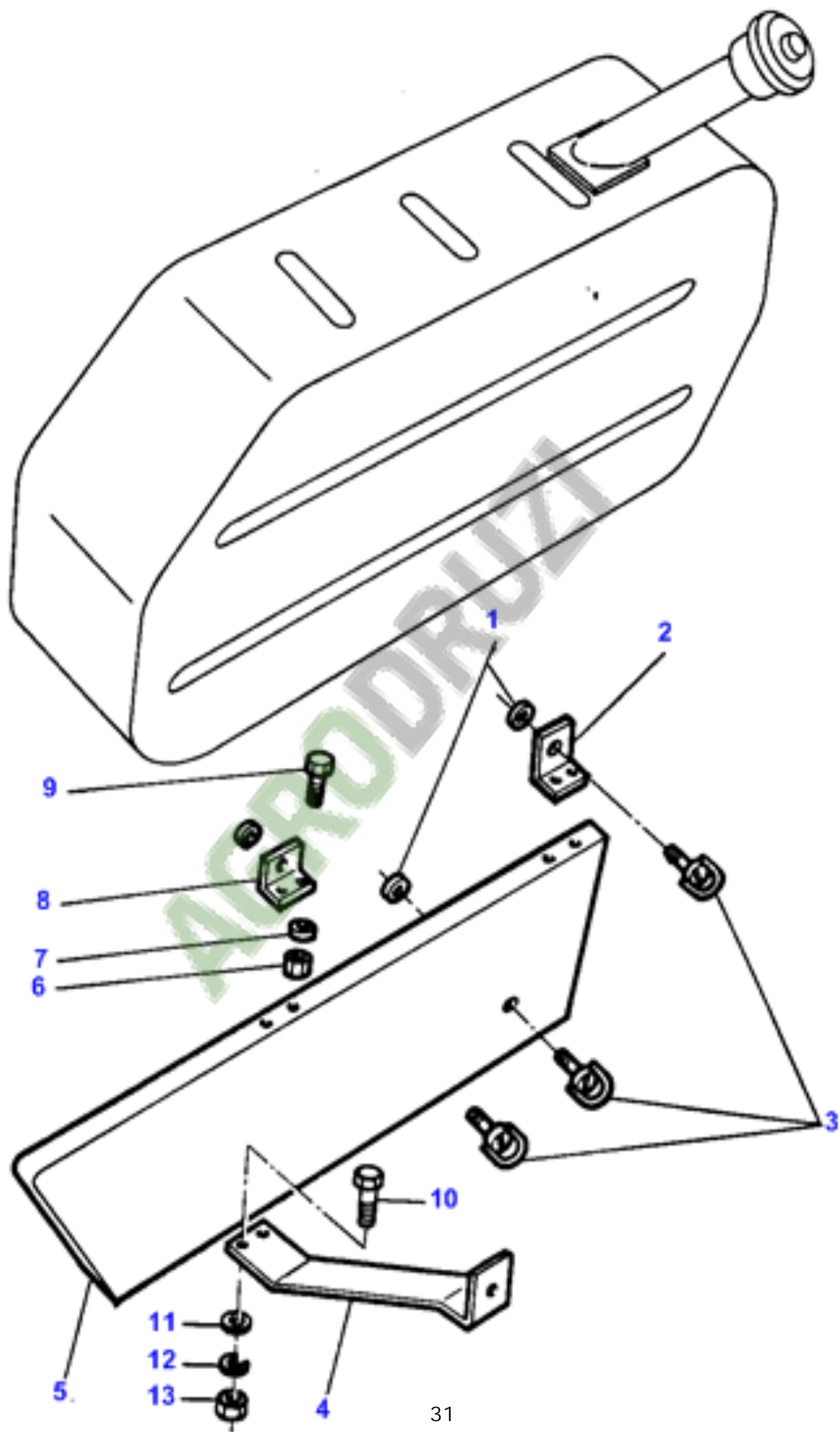


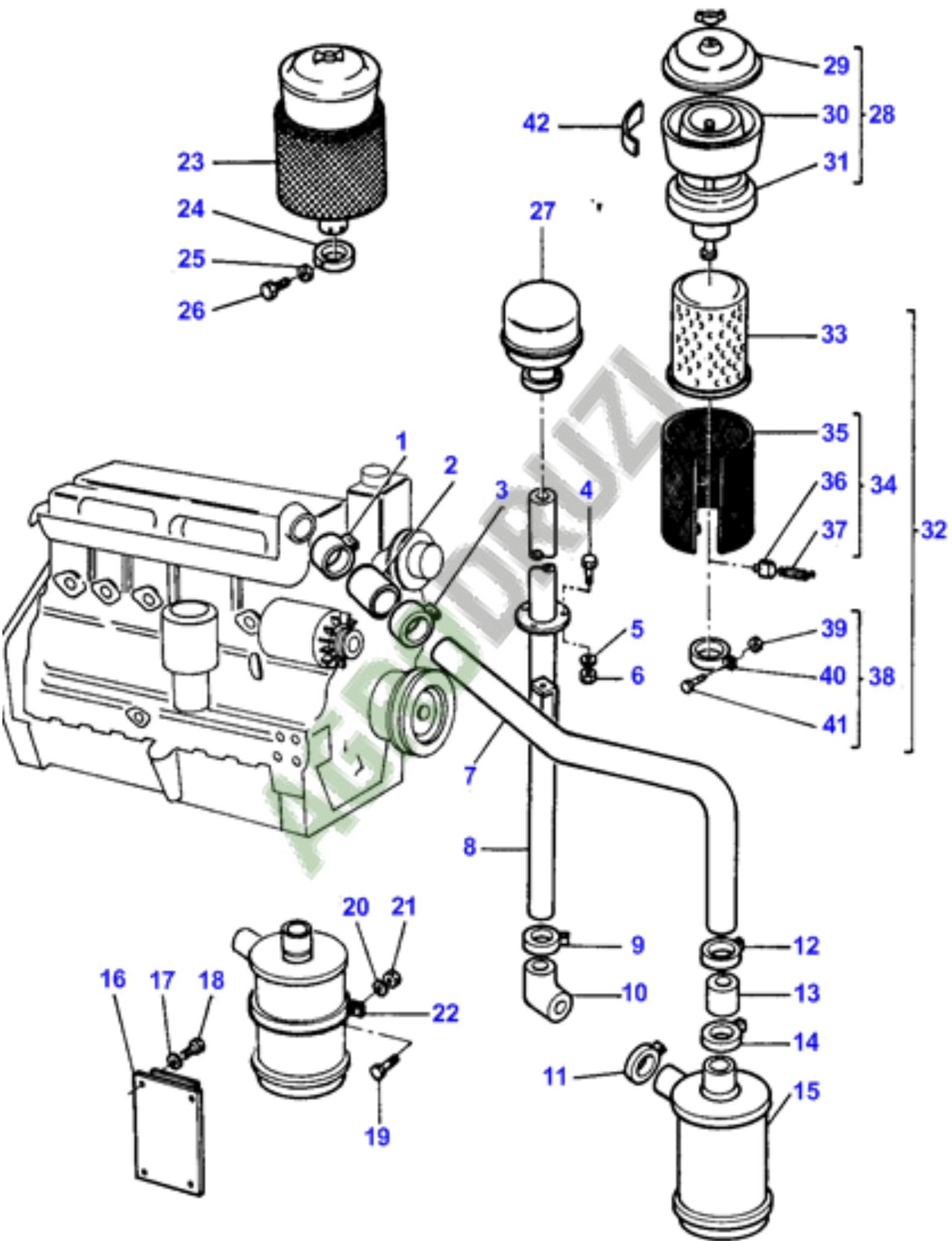


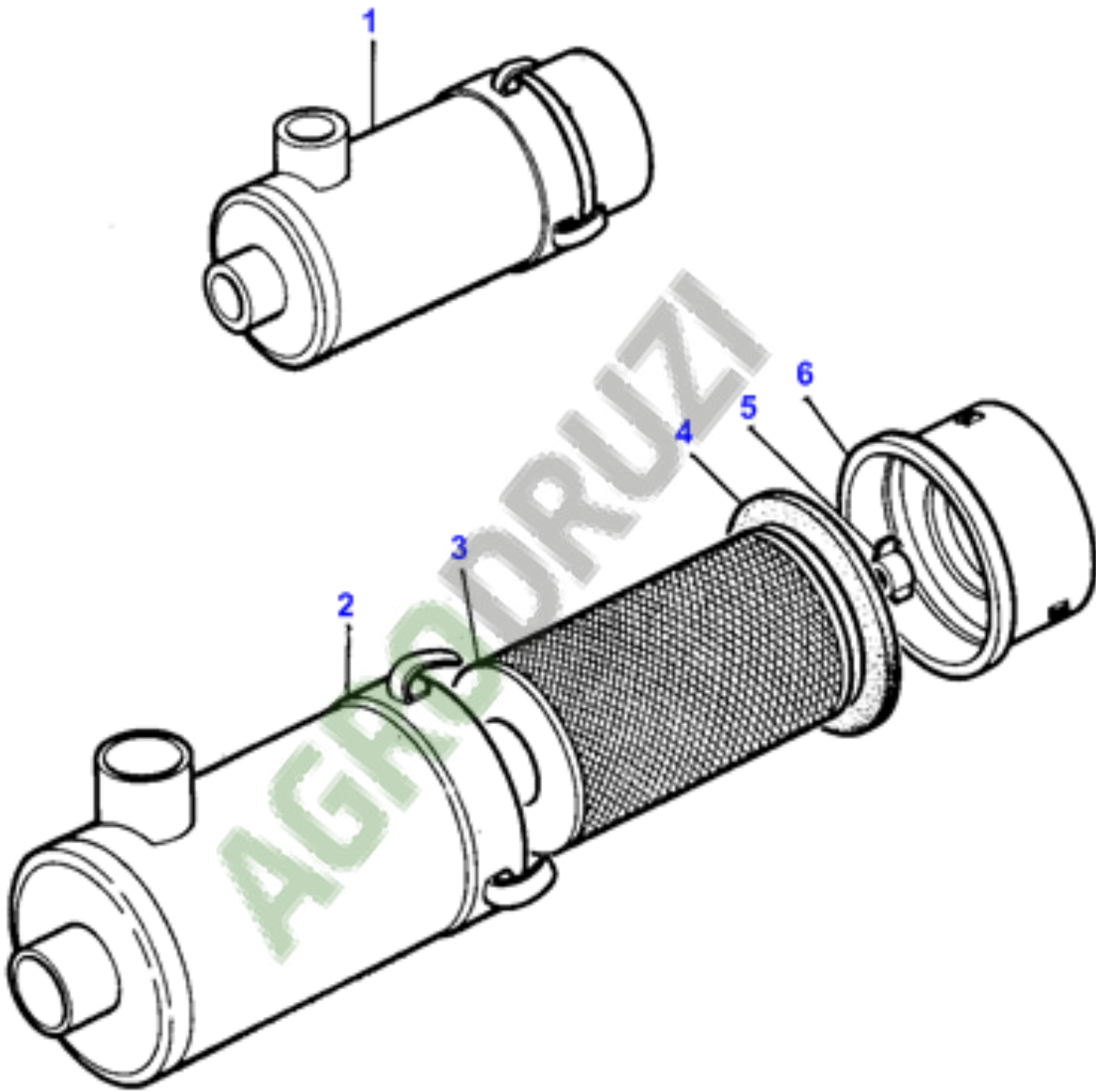


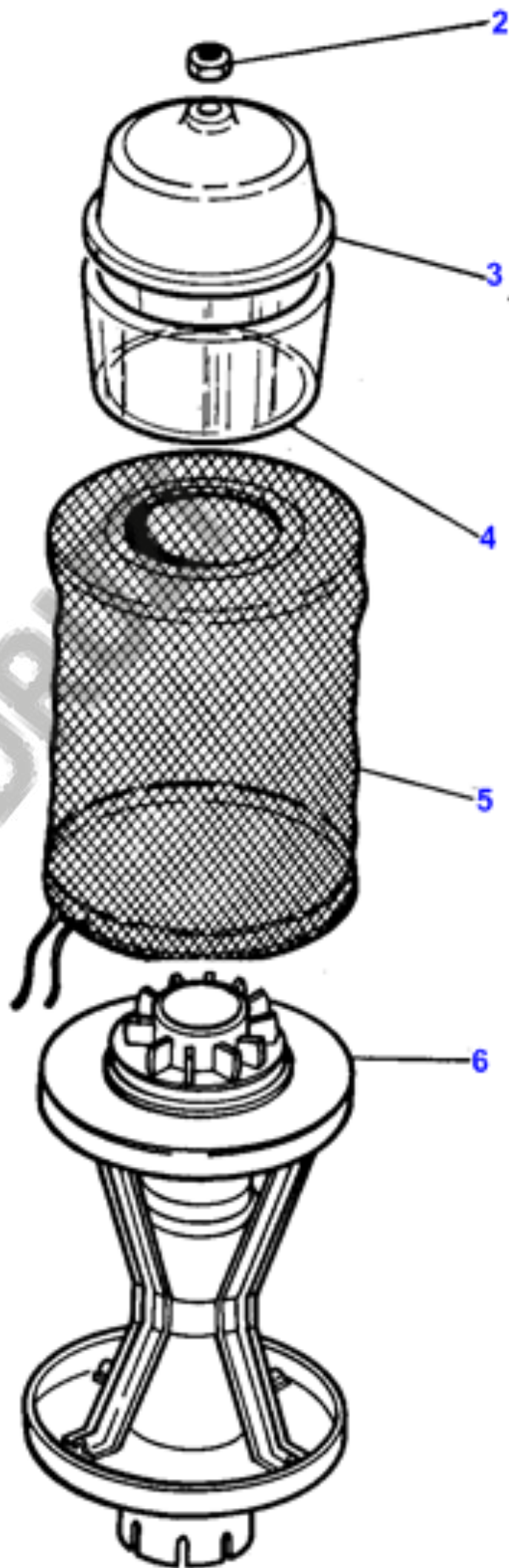
1-0385-031



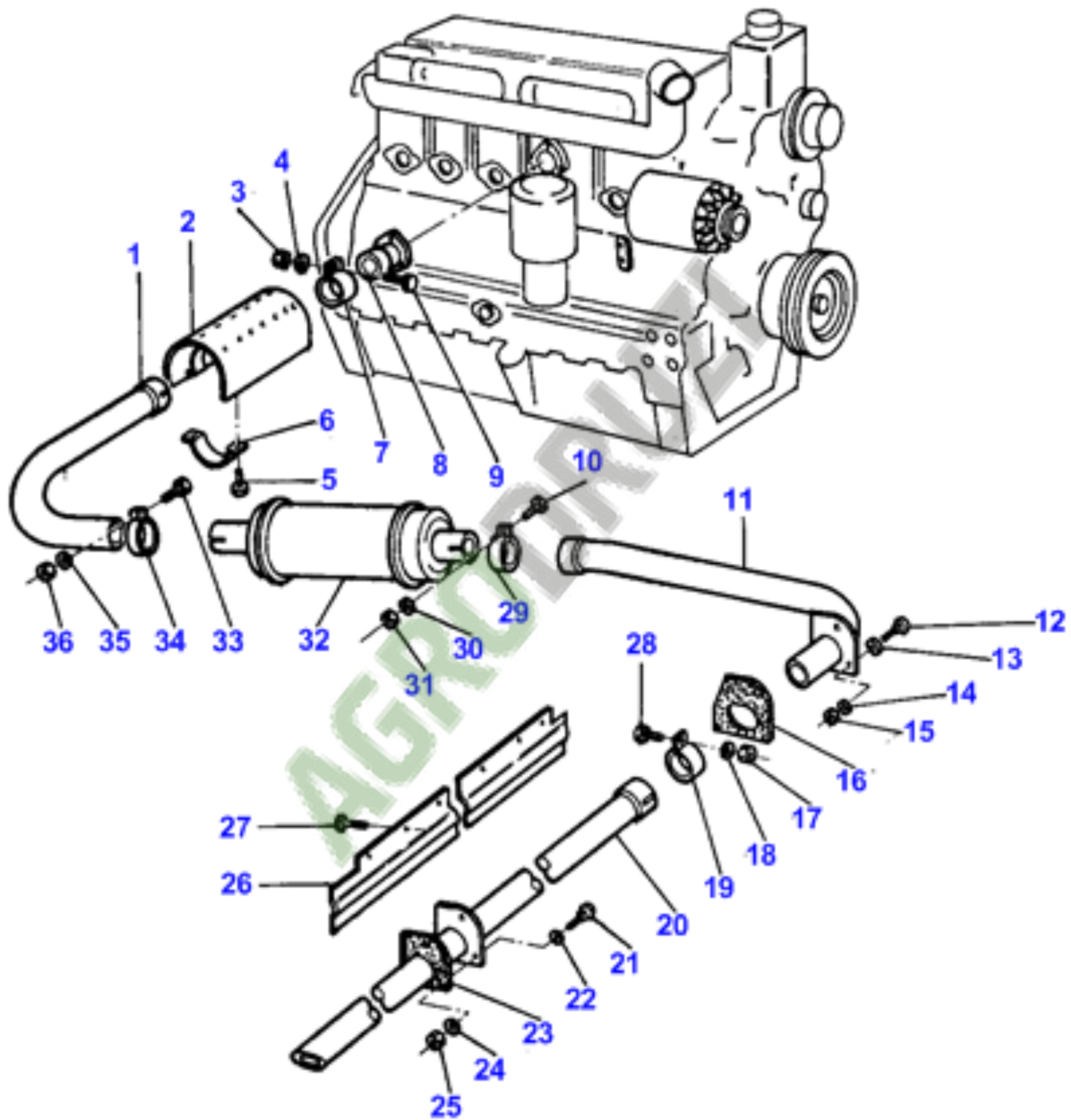


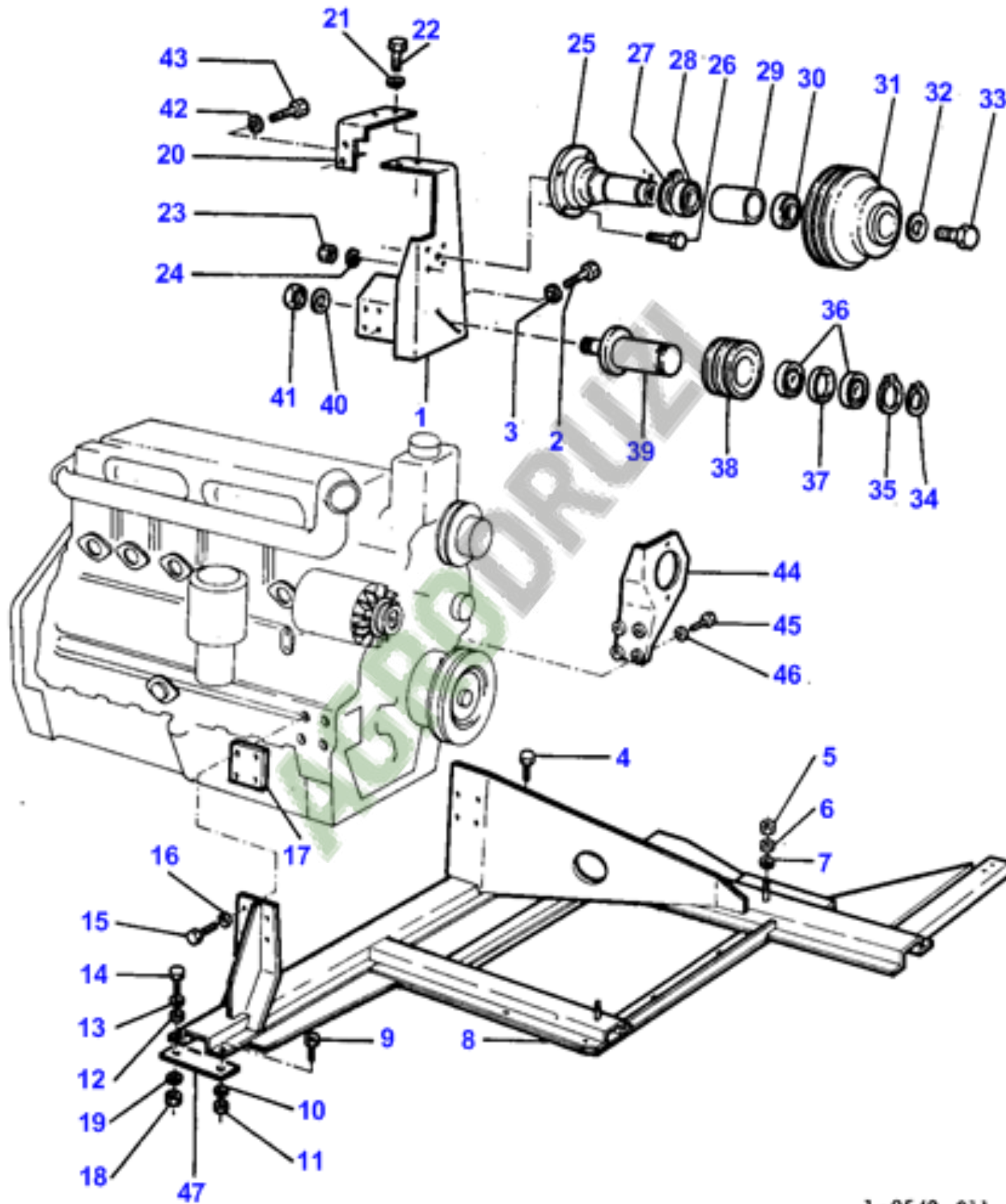




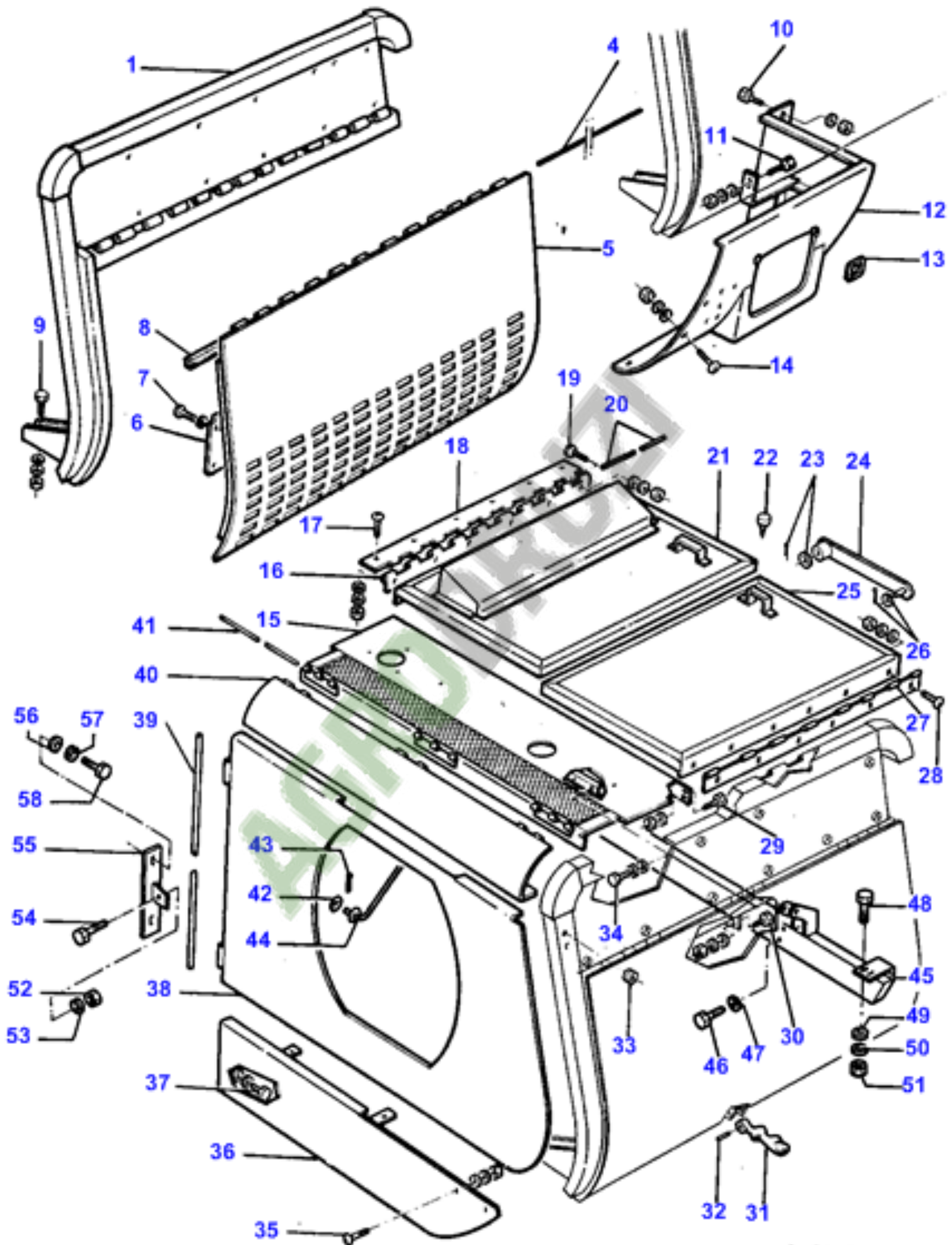


AGRODD

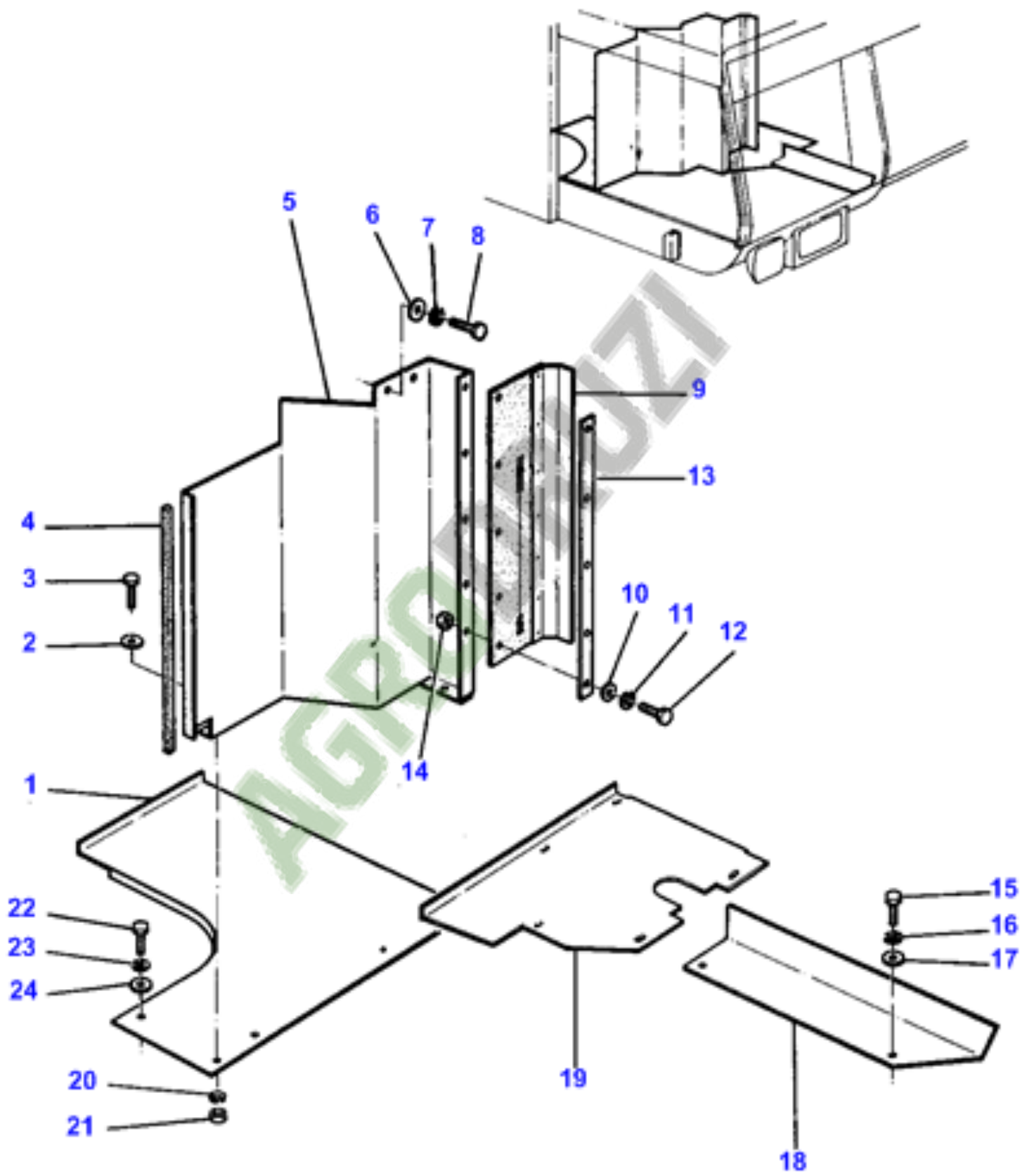


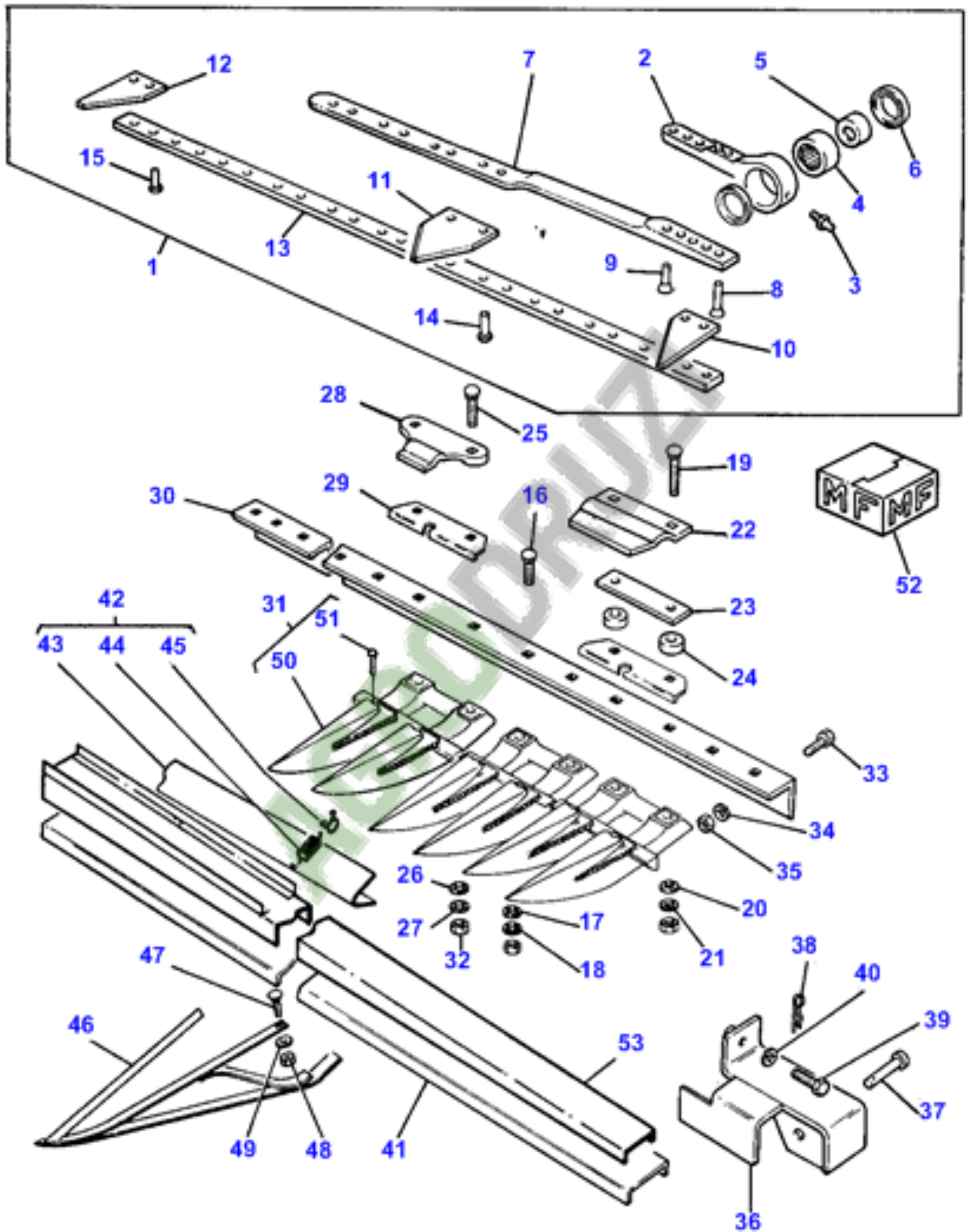


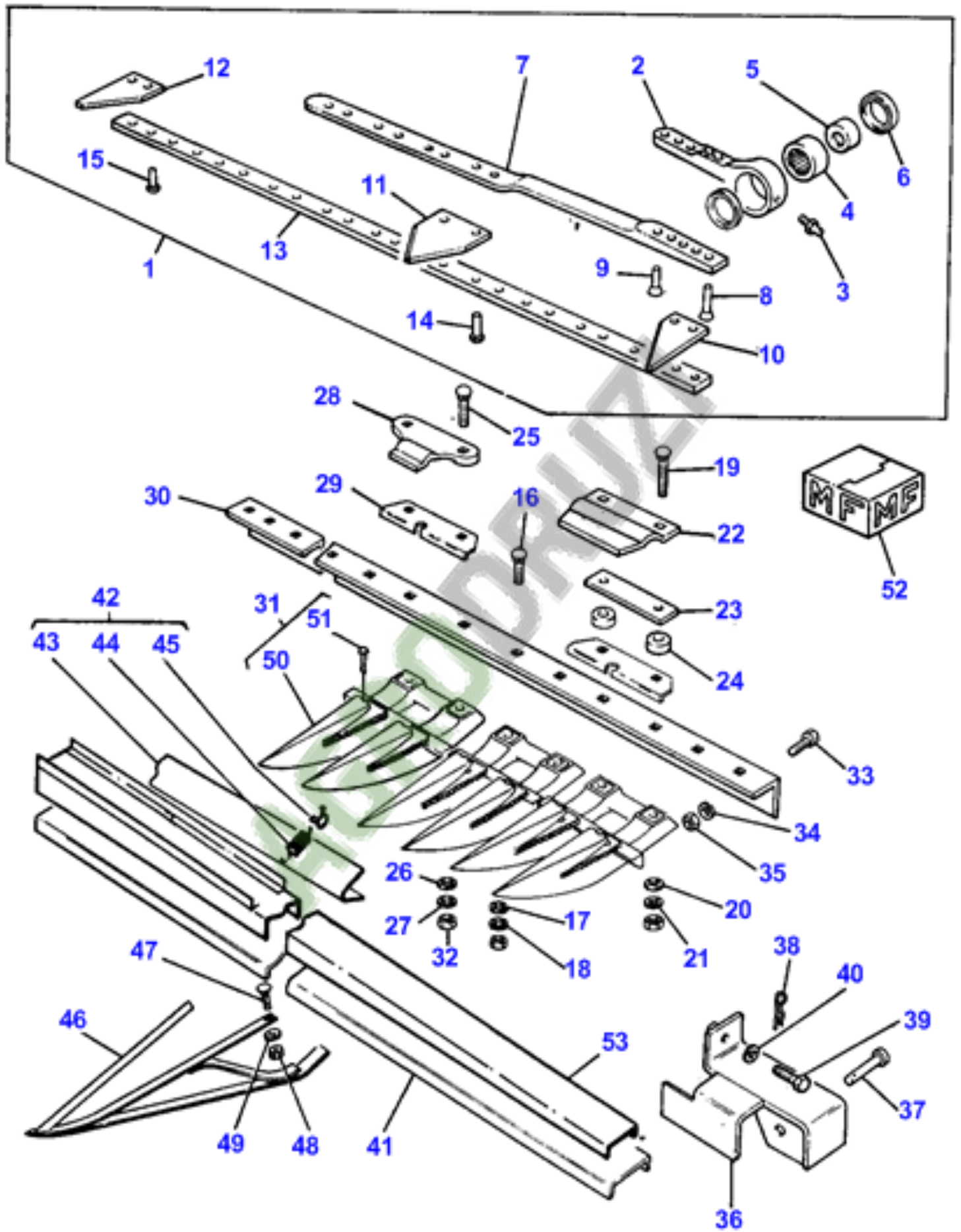
1-0540-011

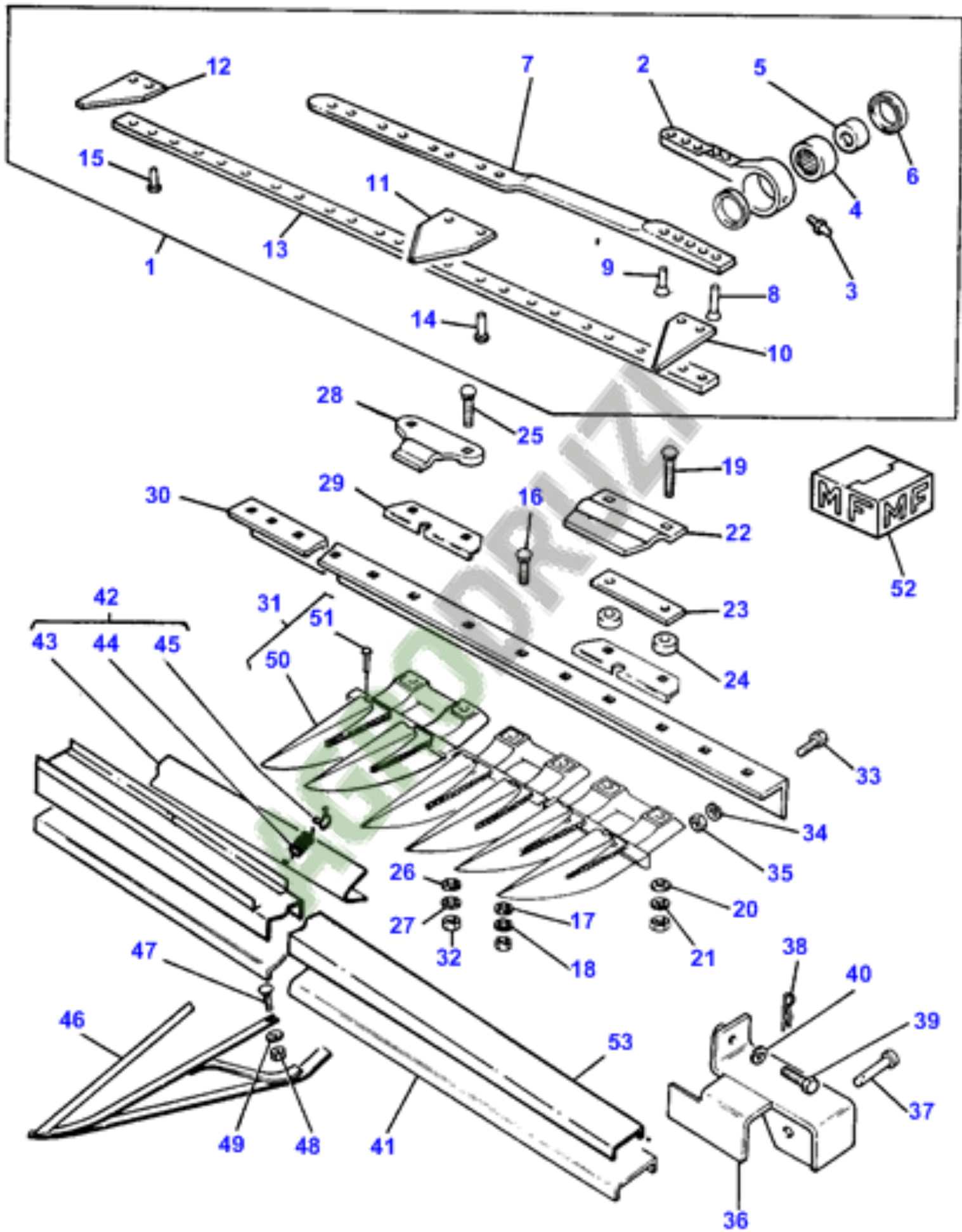


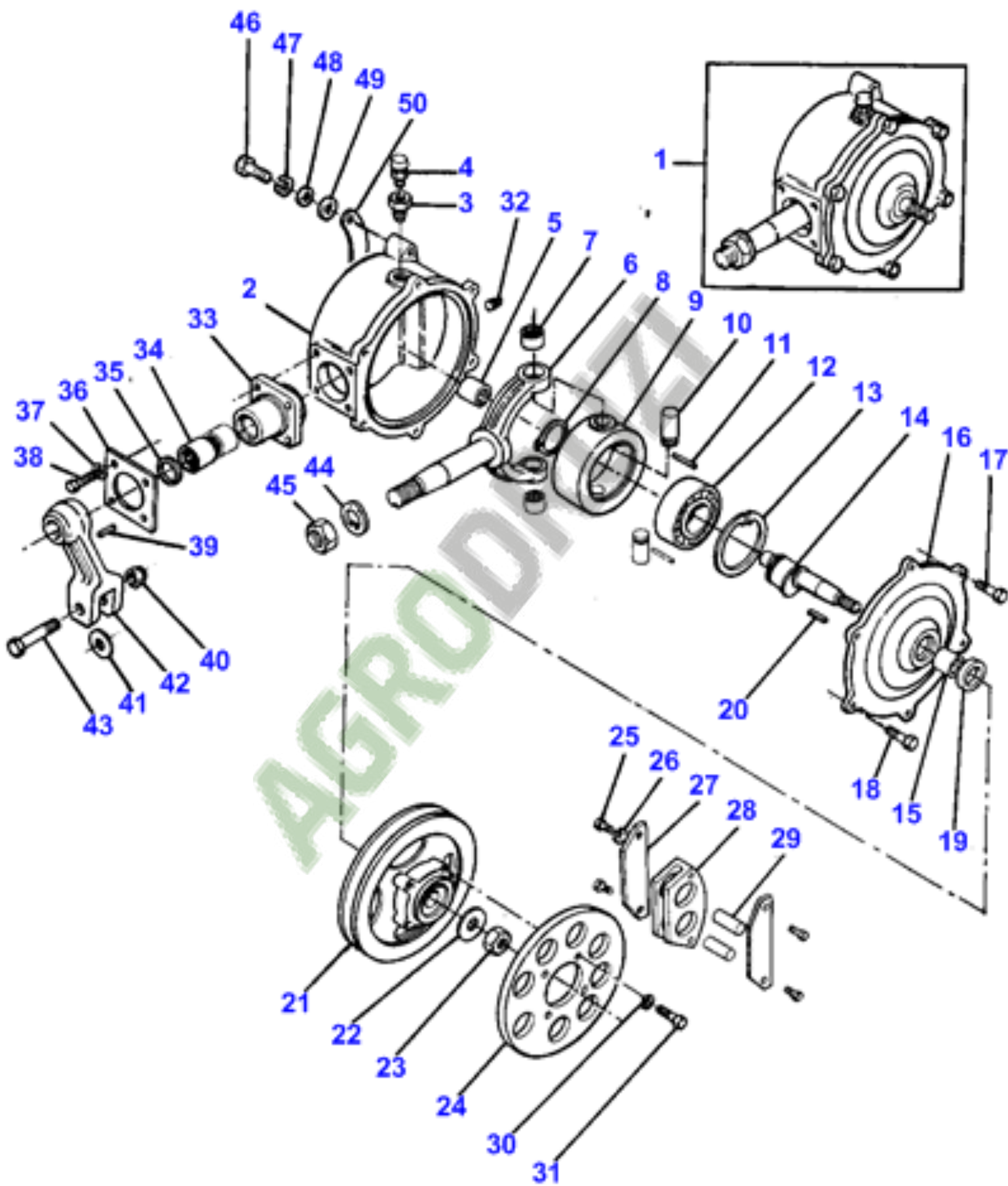
1- 2845- 010

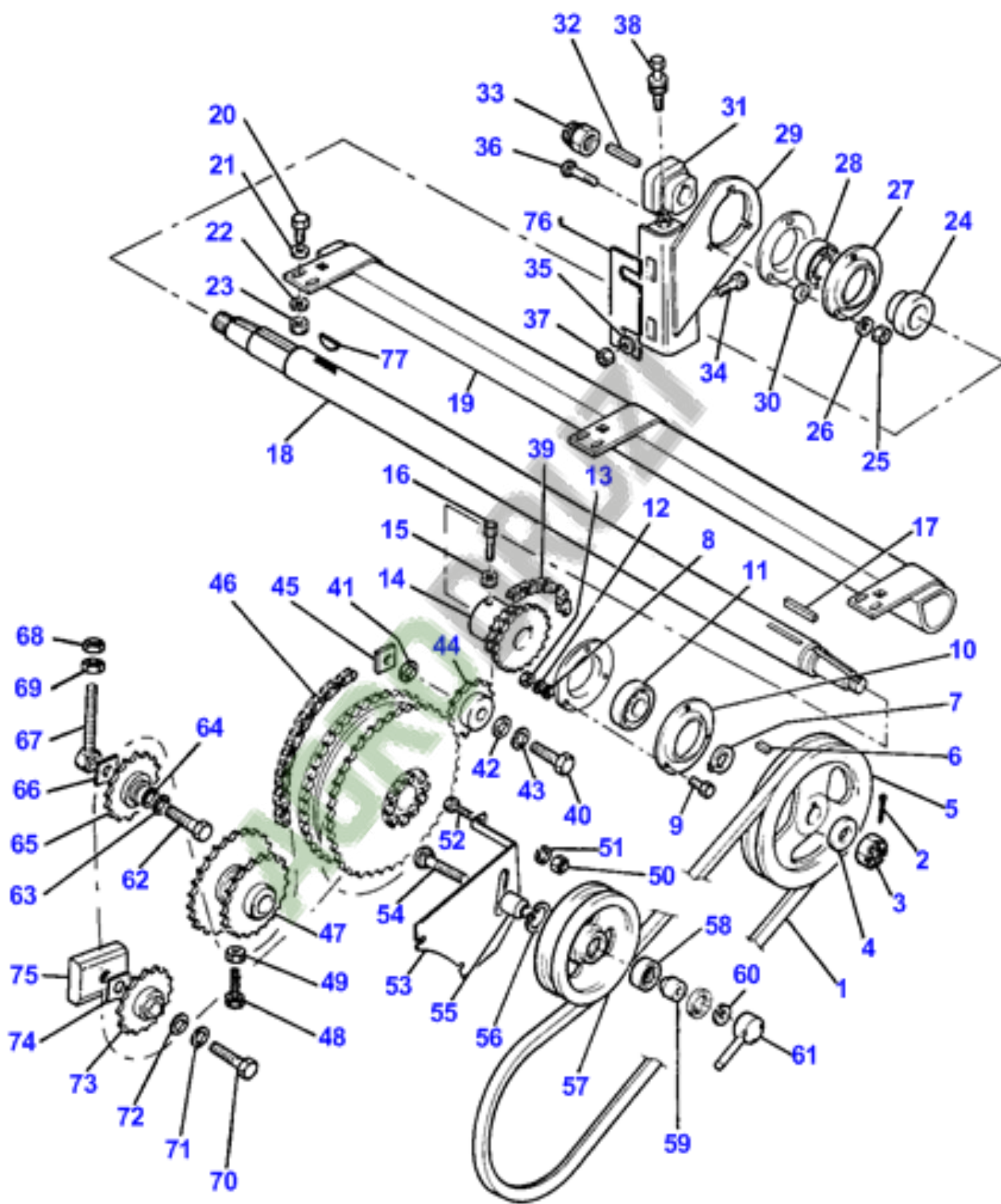


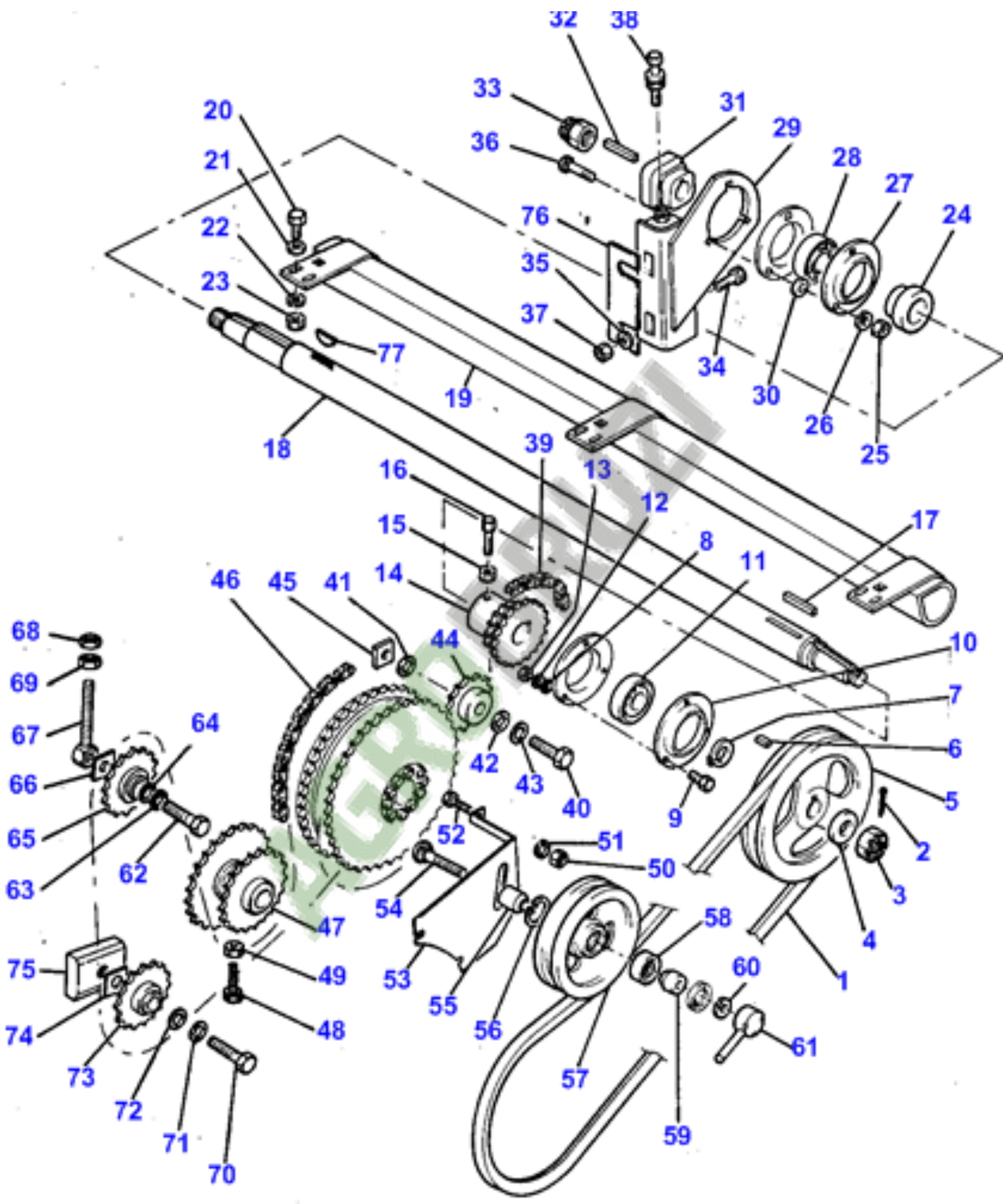


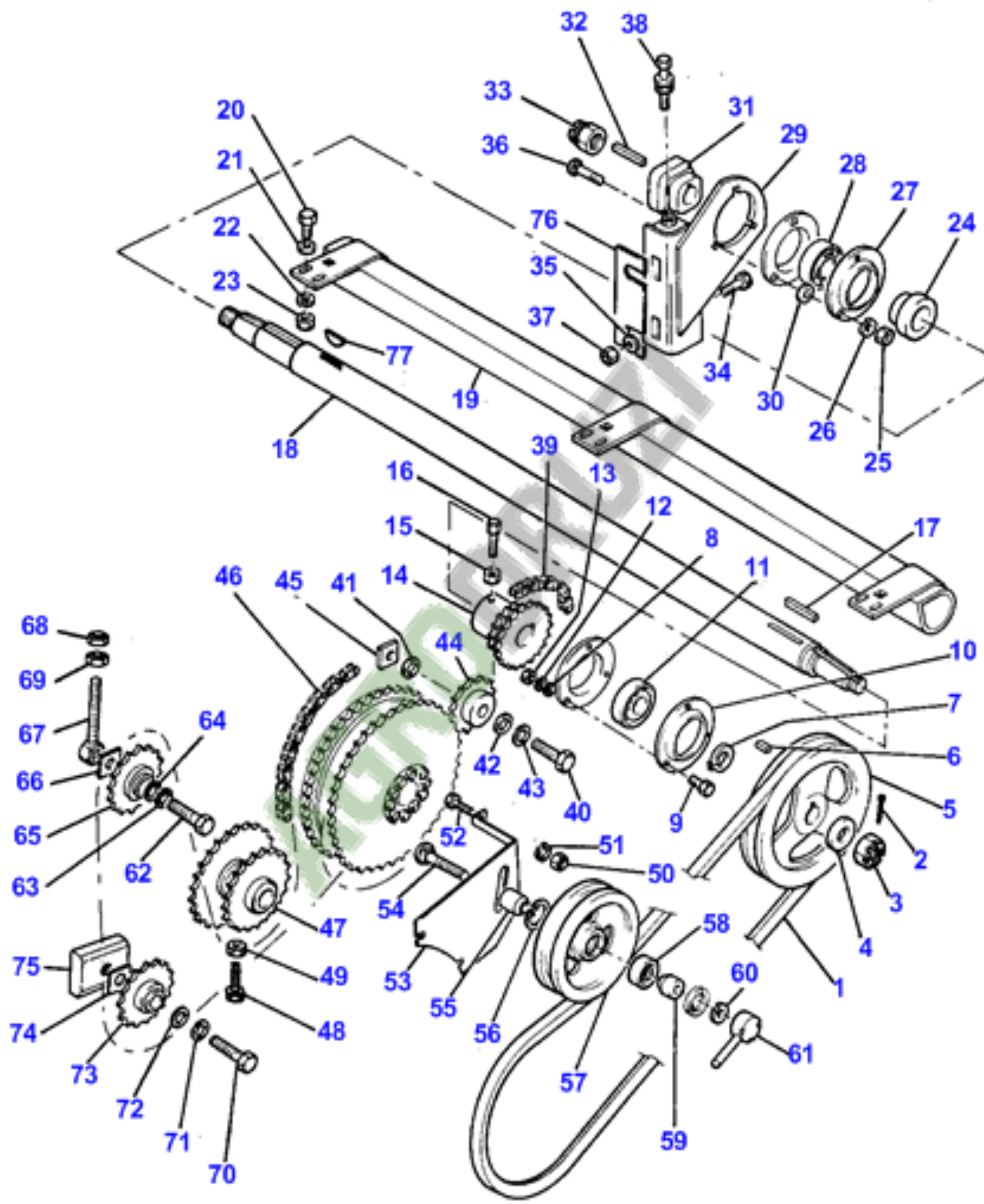


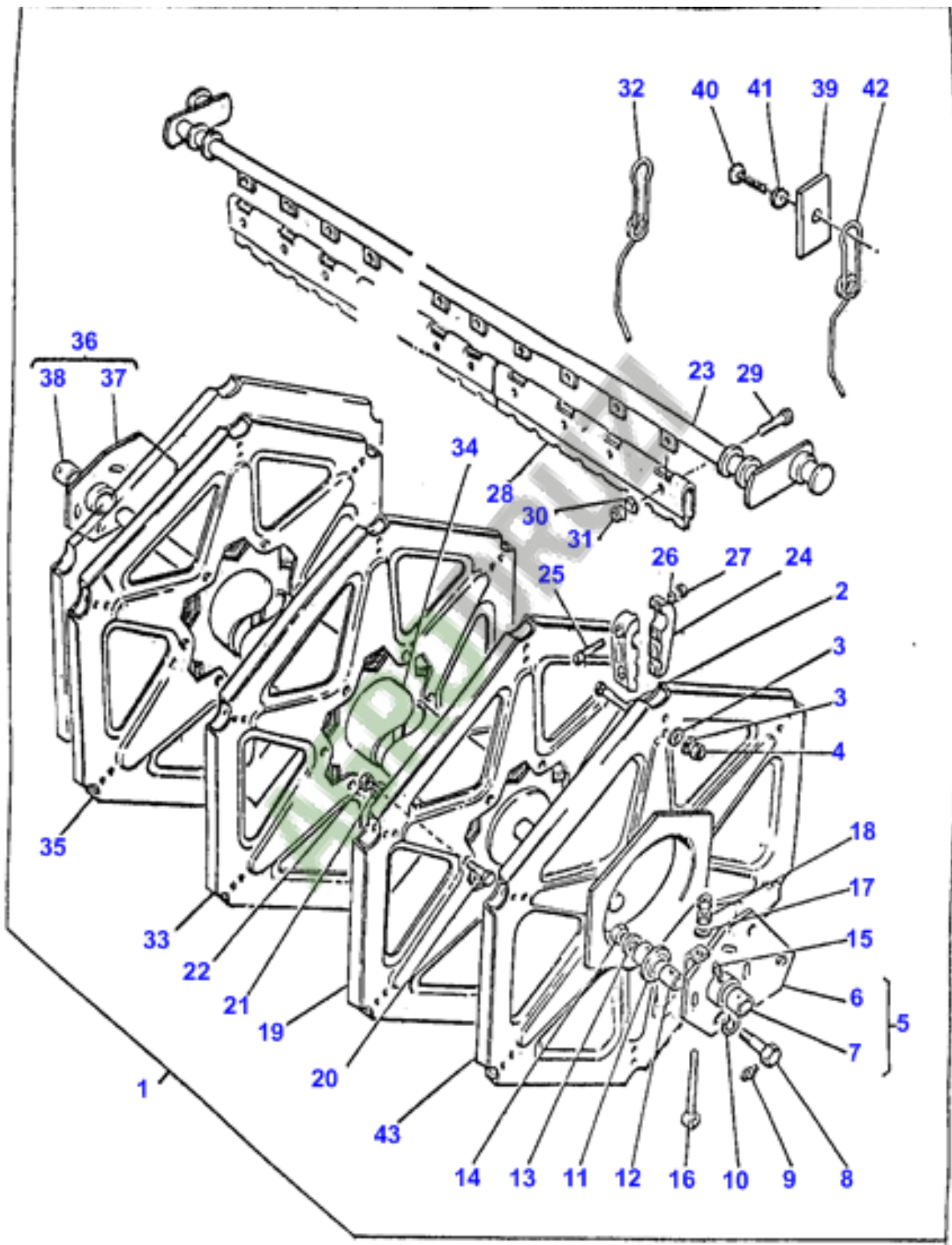


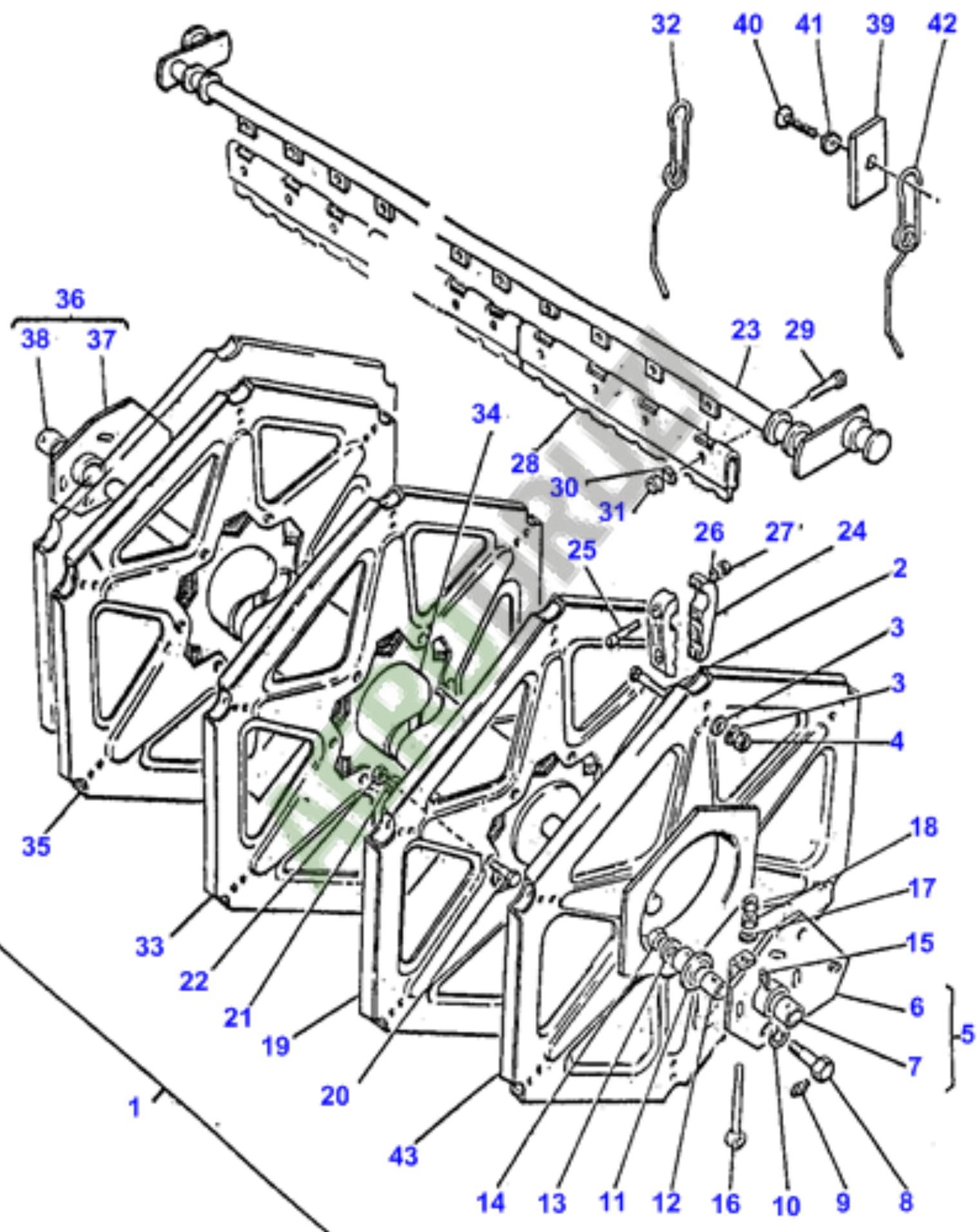


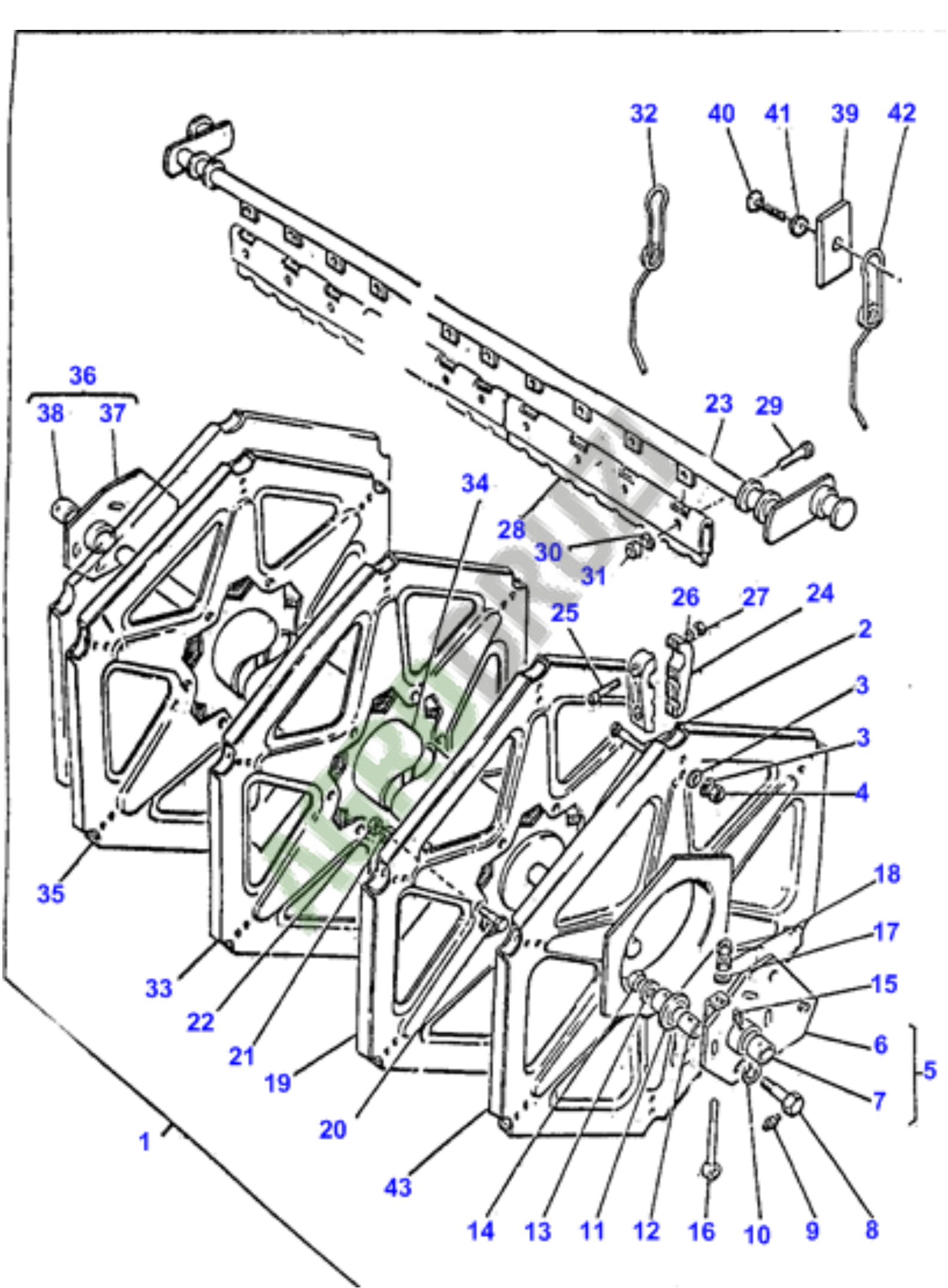


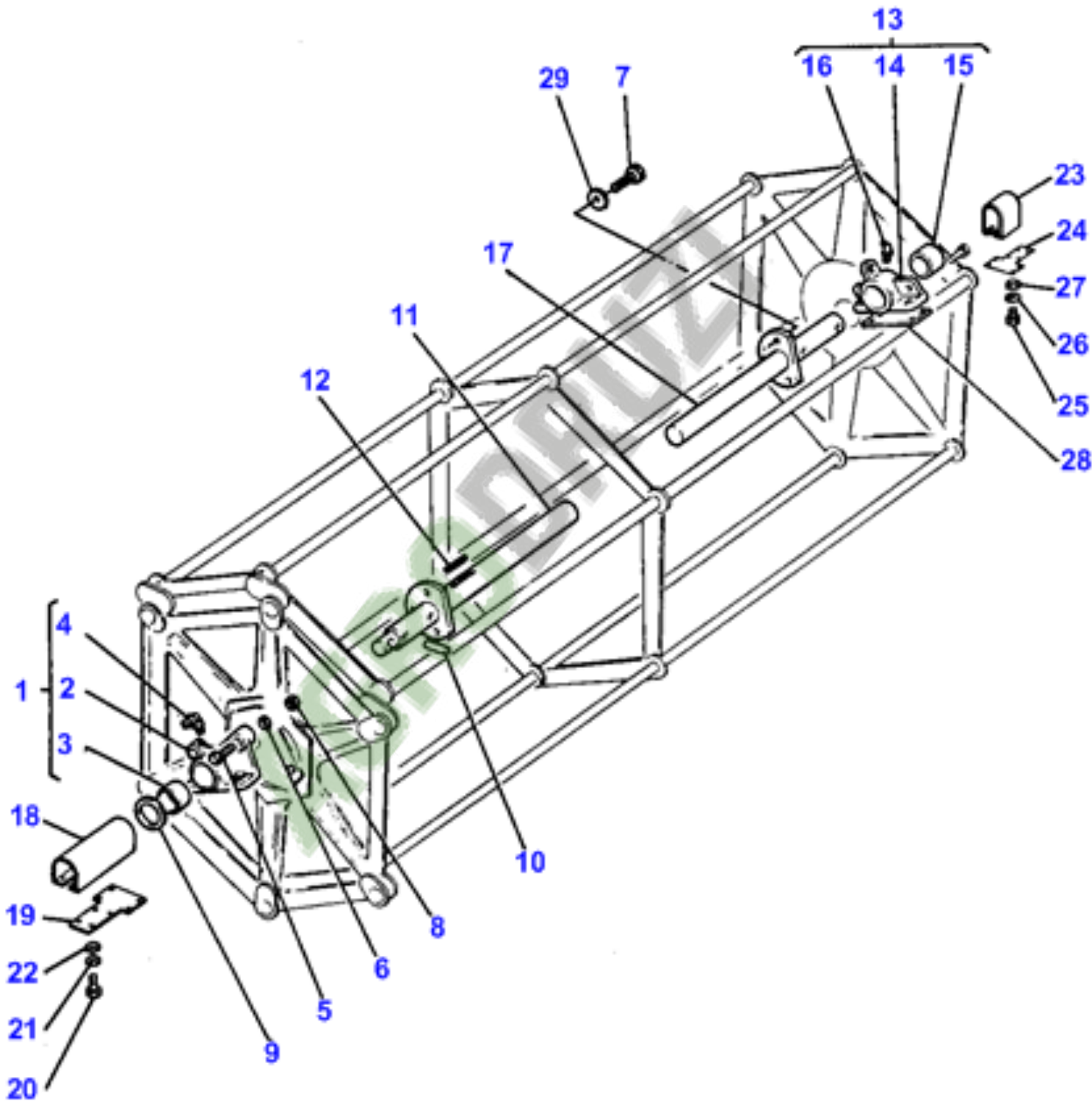


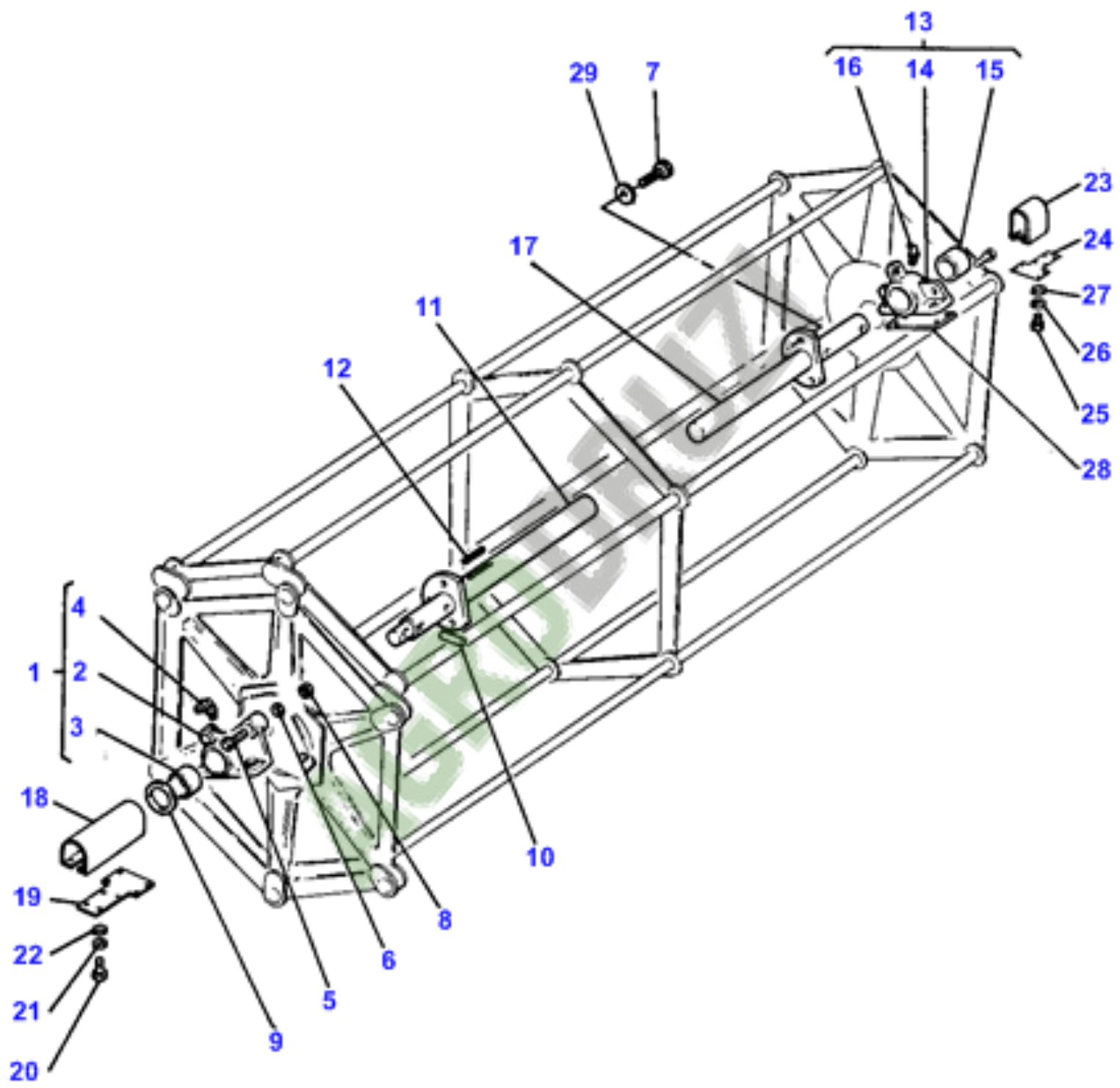


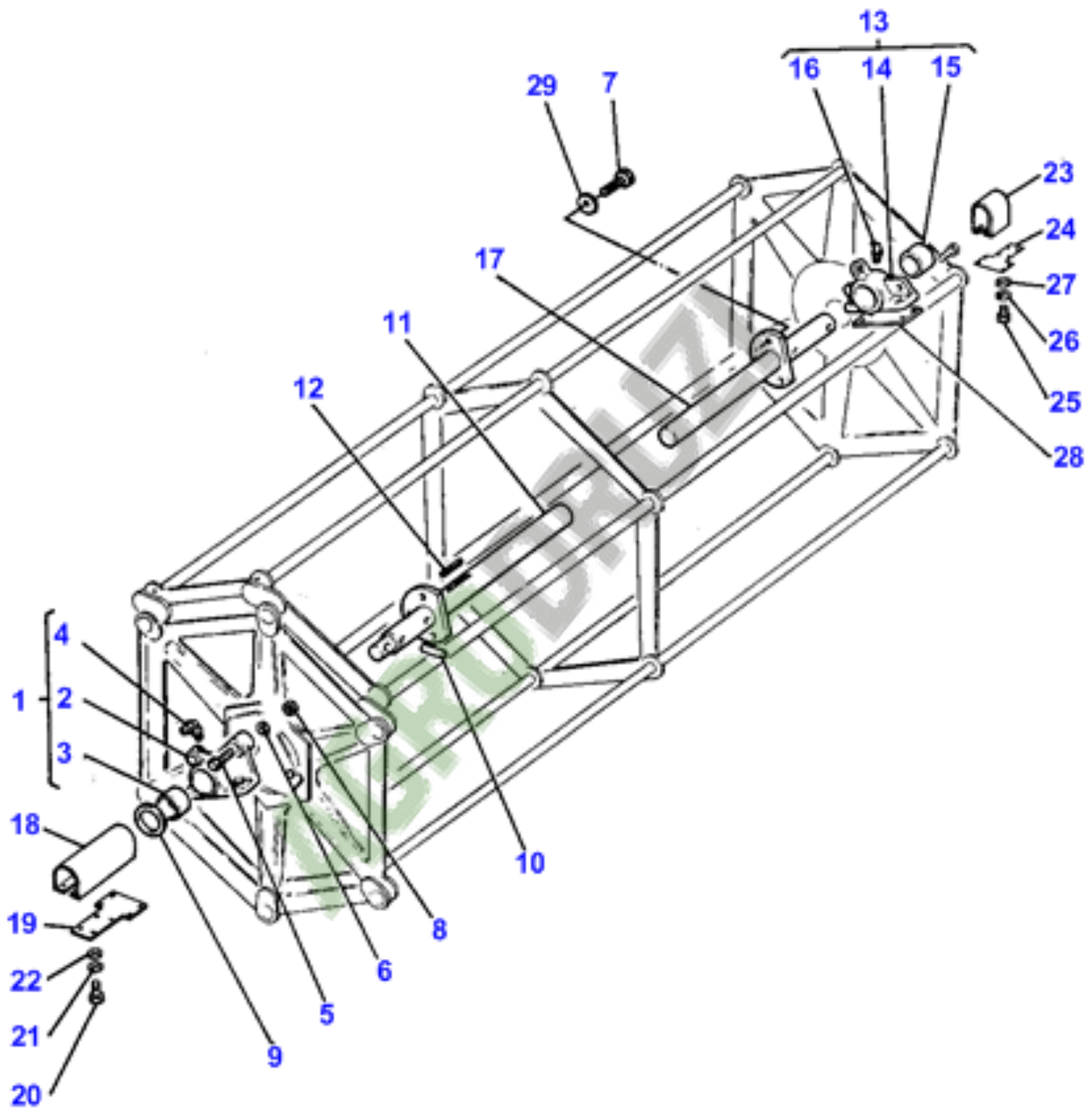


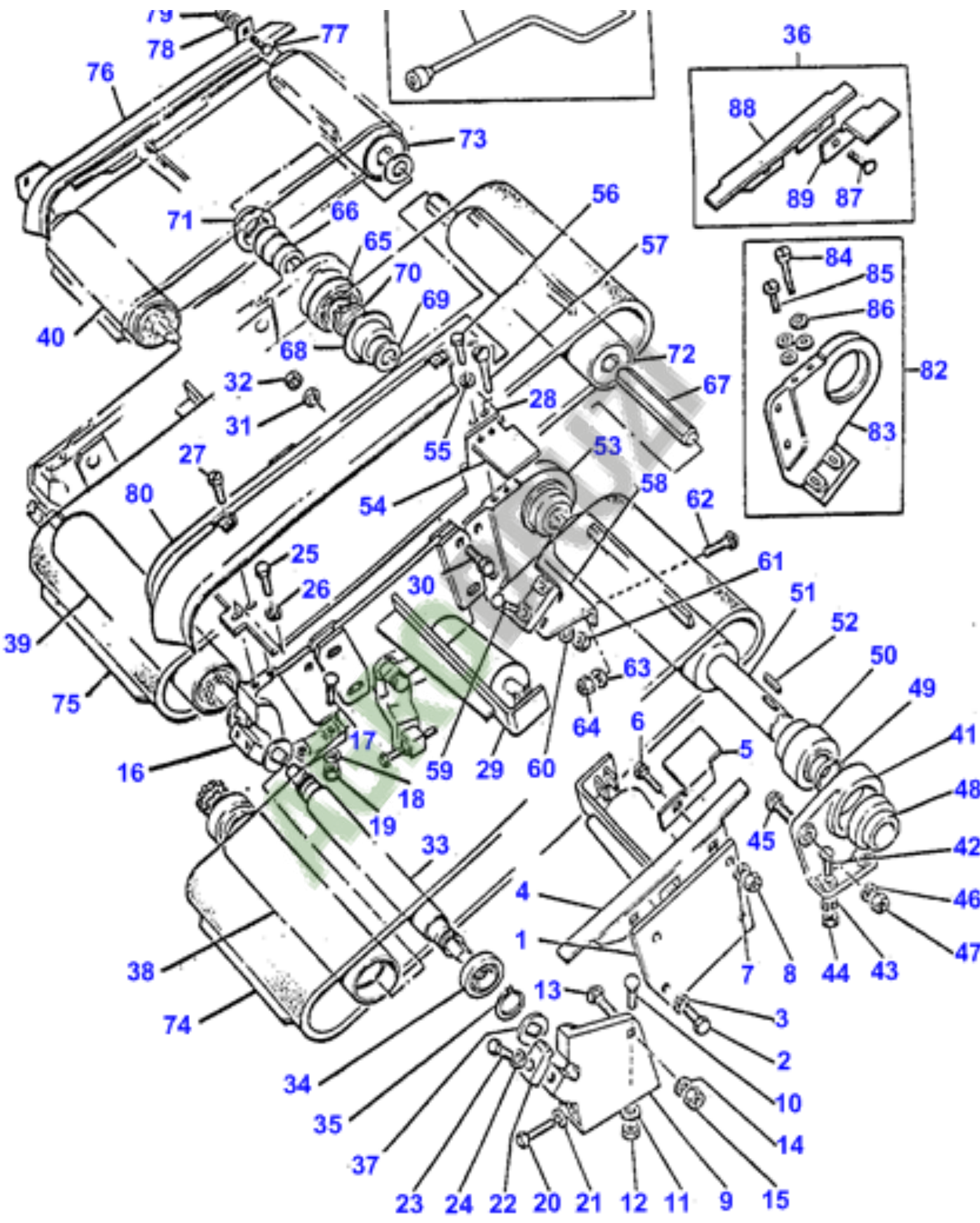


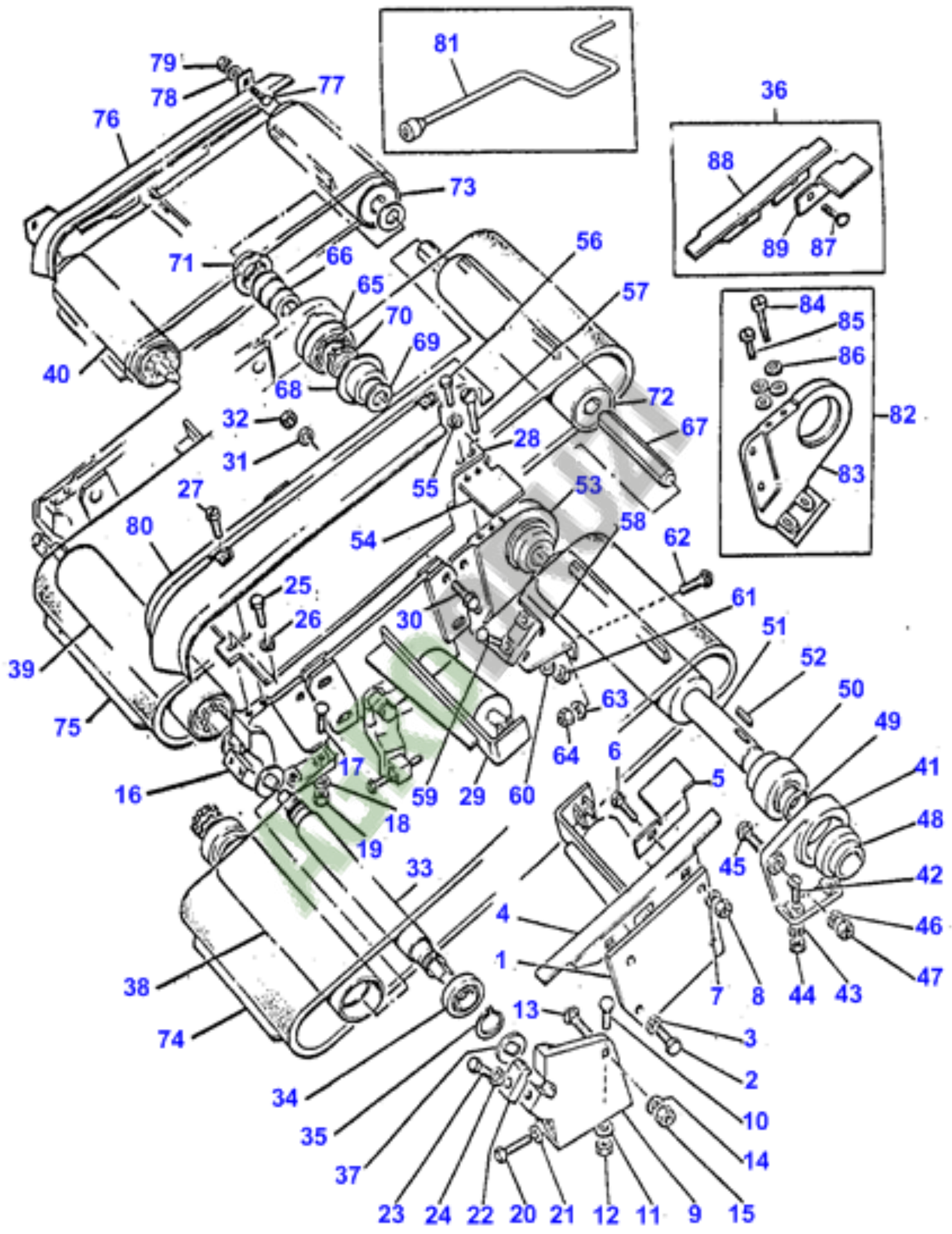


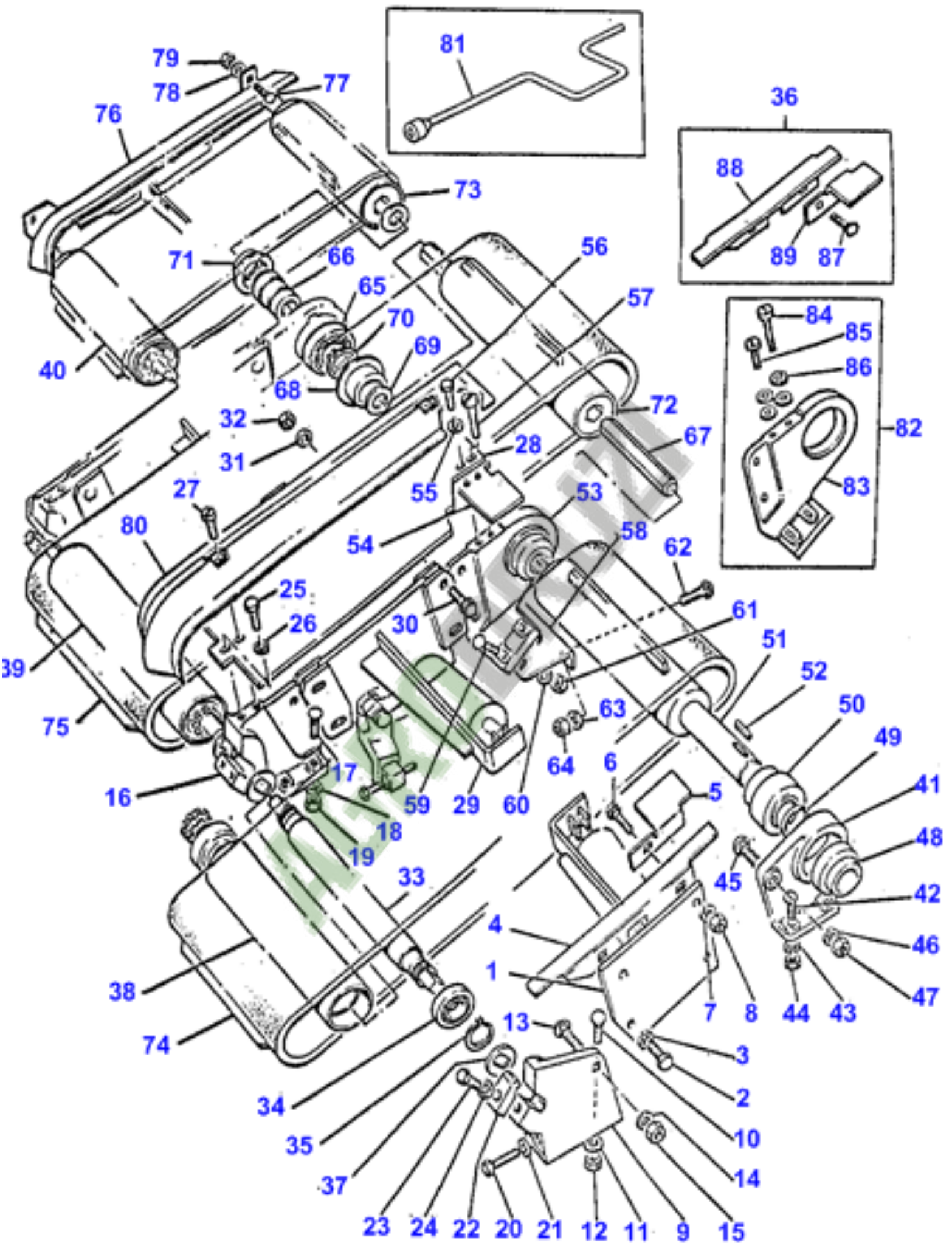


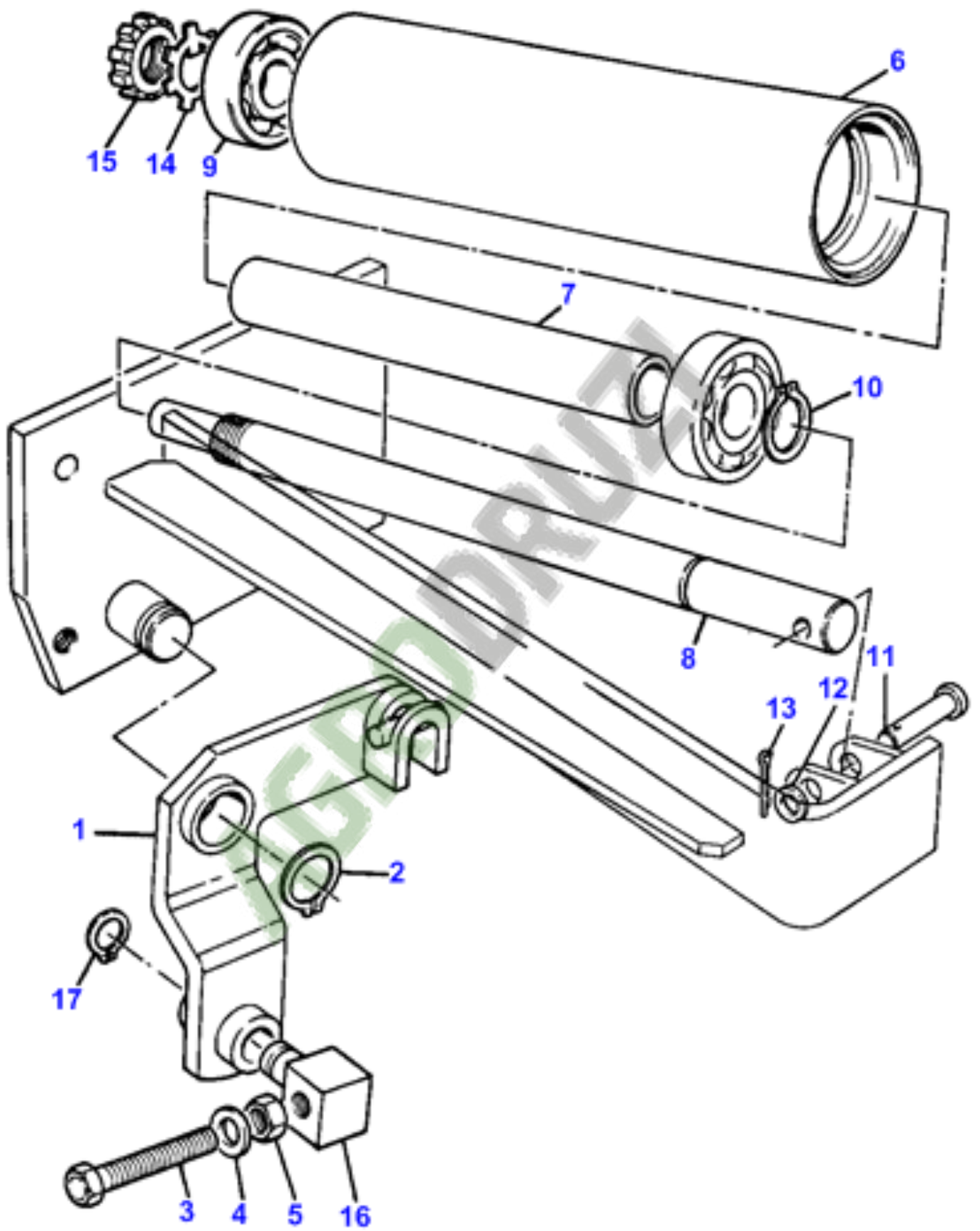


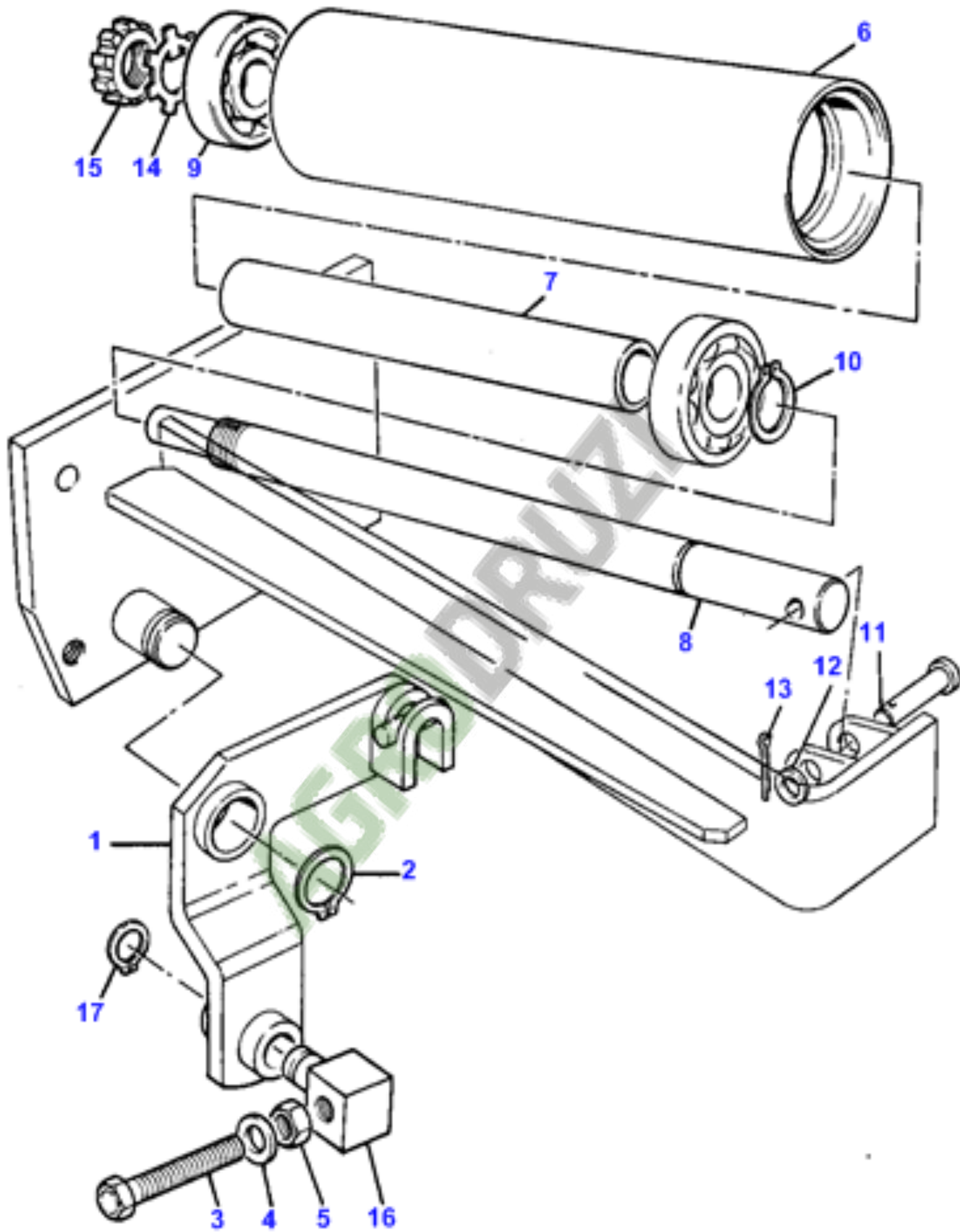


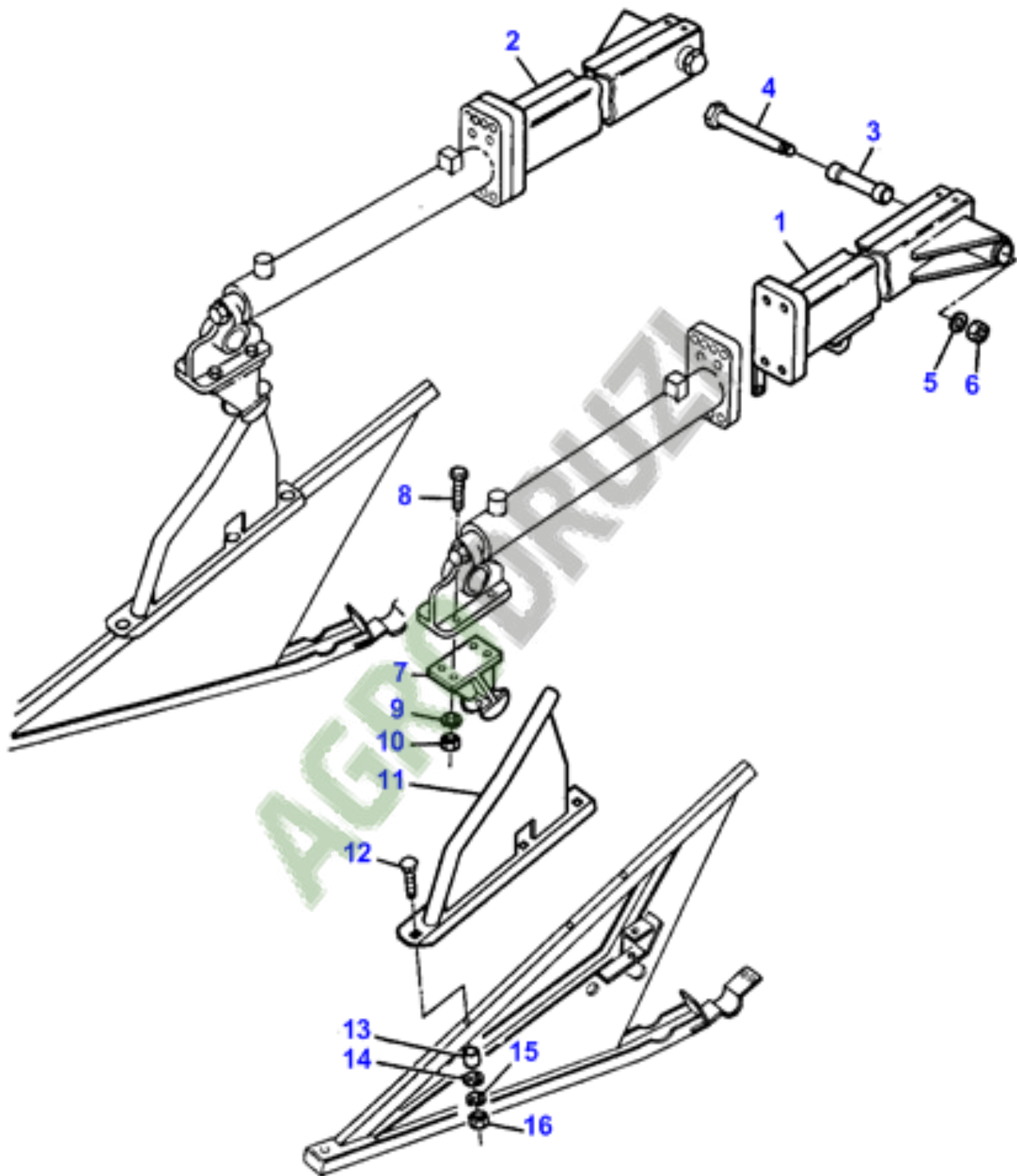


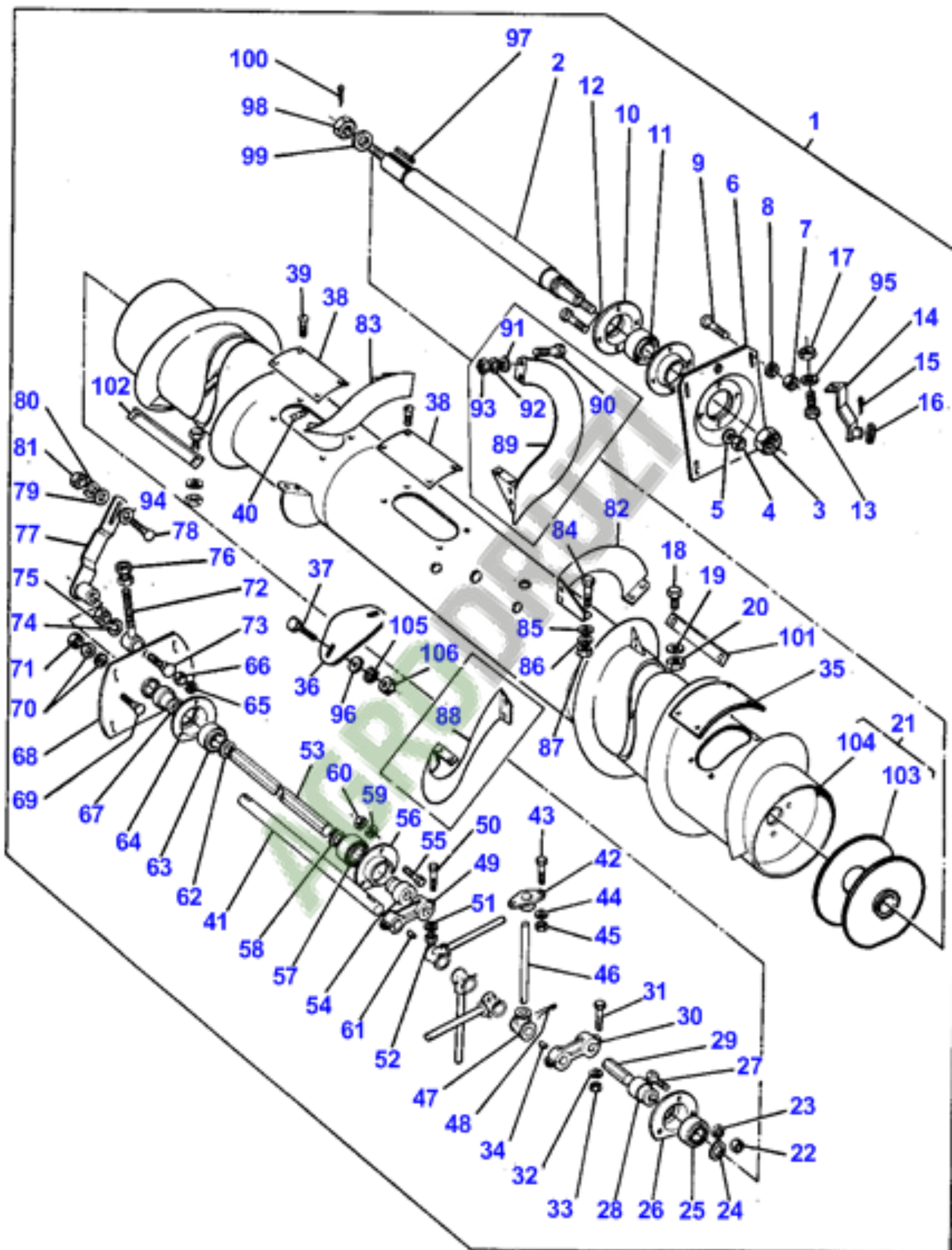


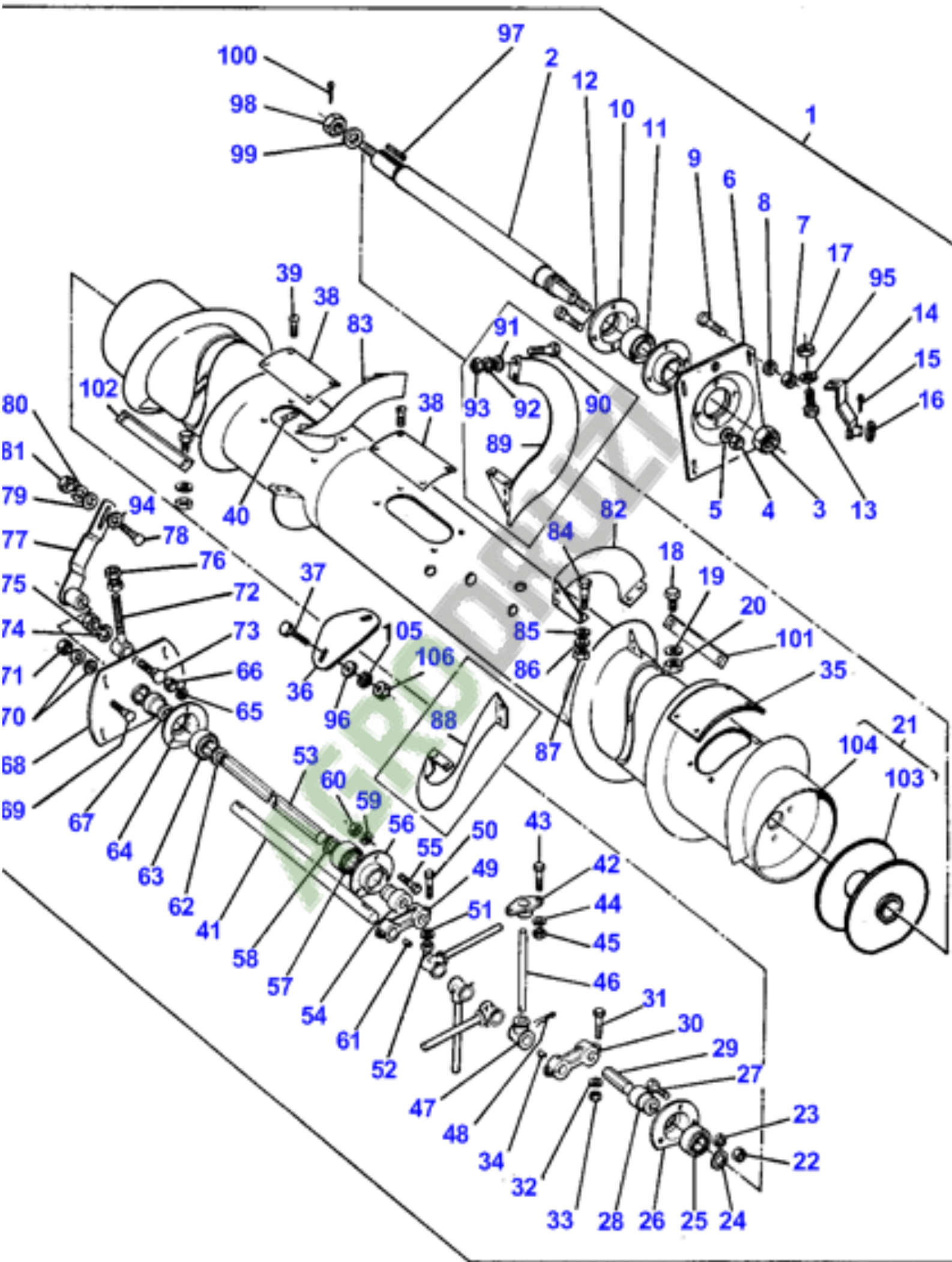


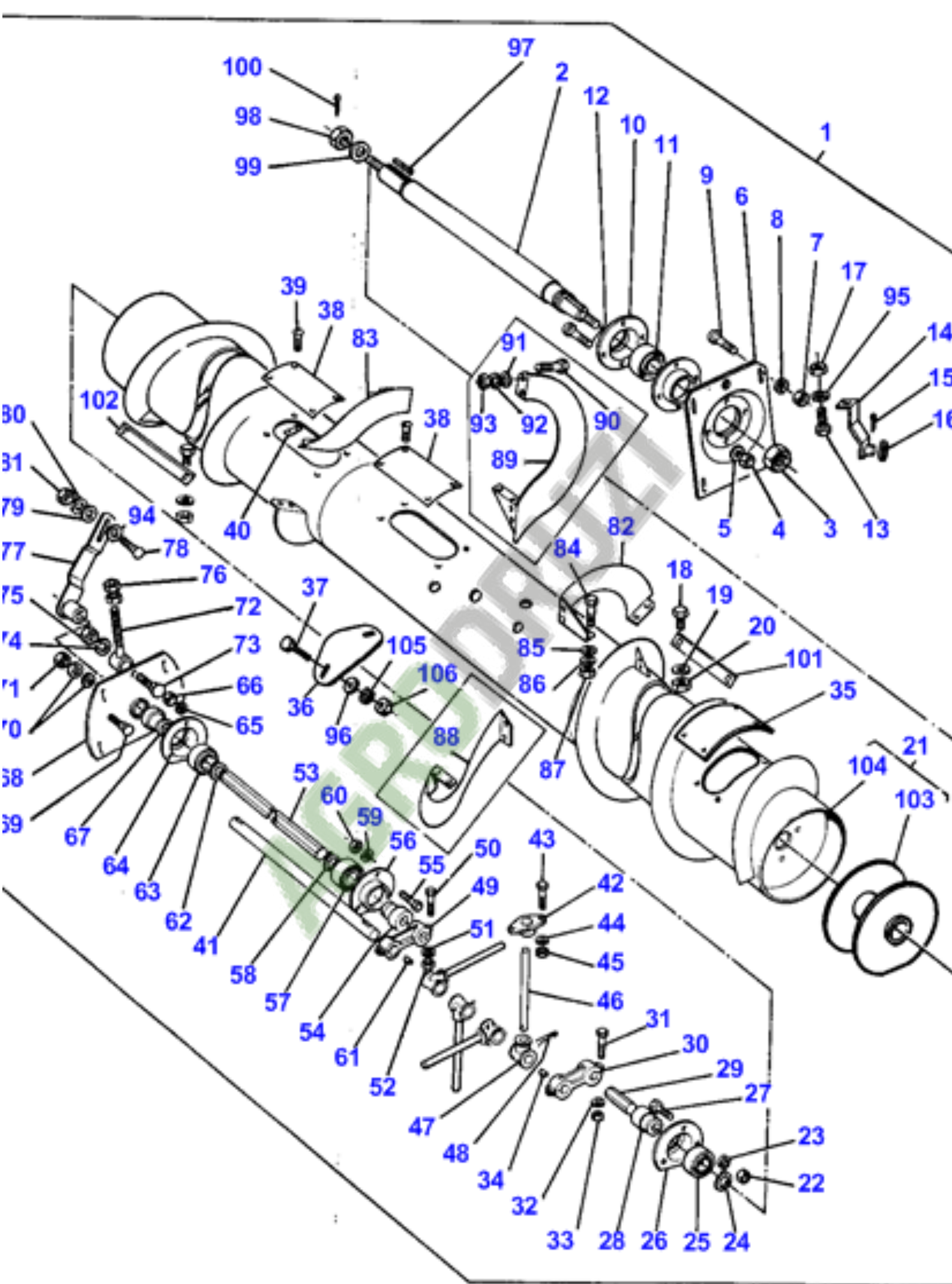


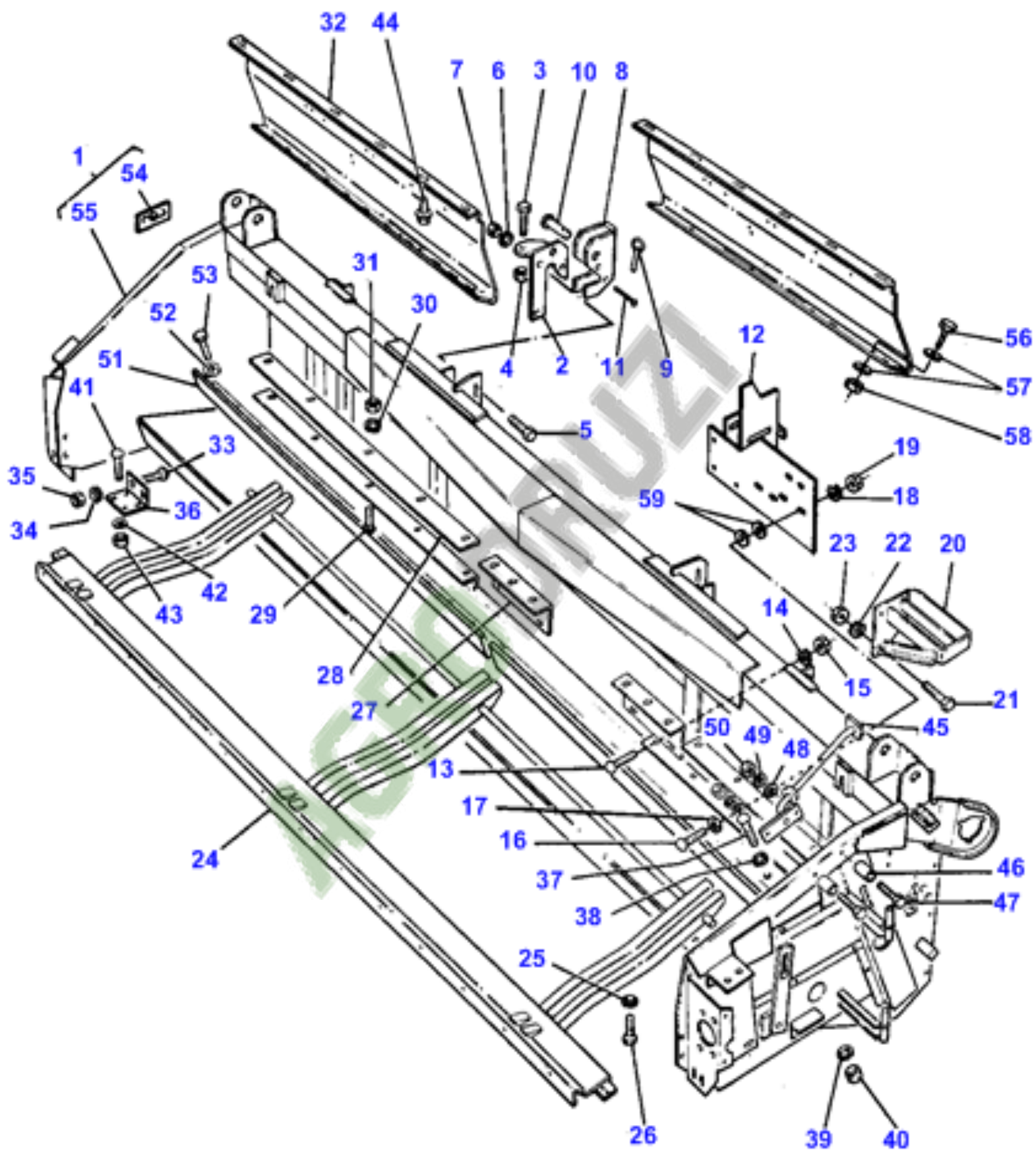


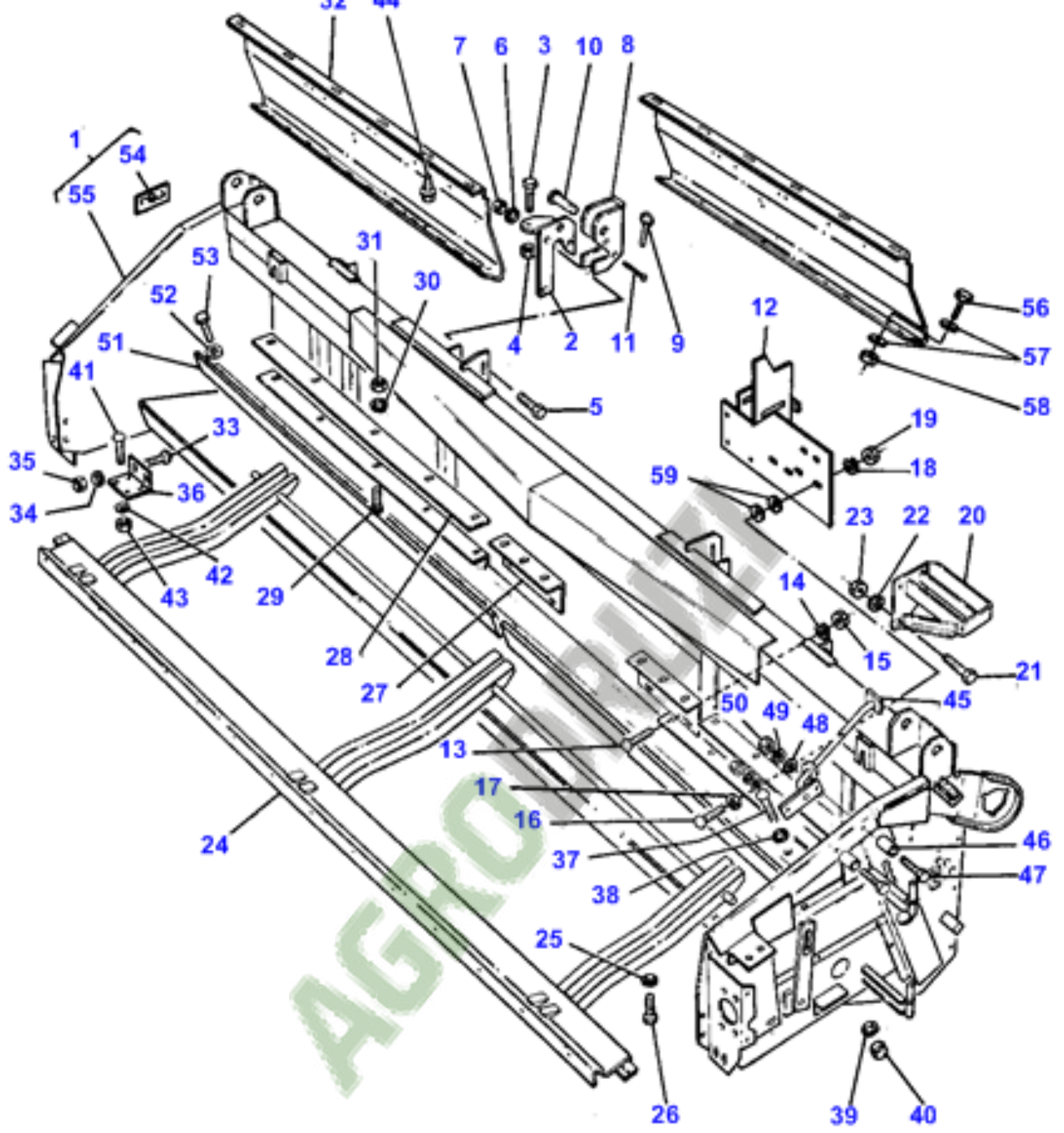


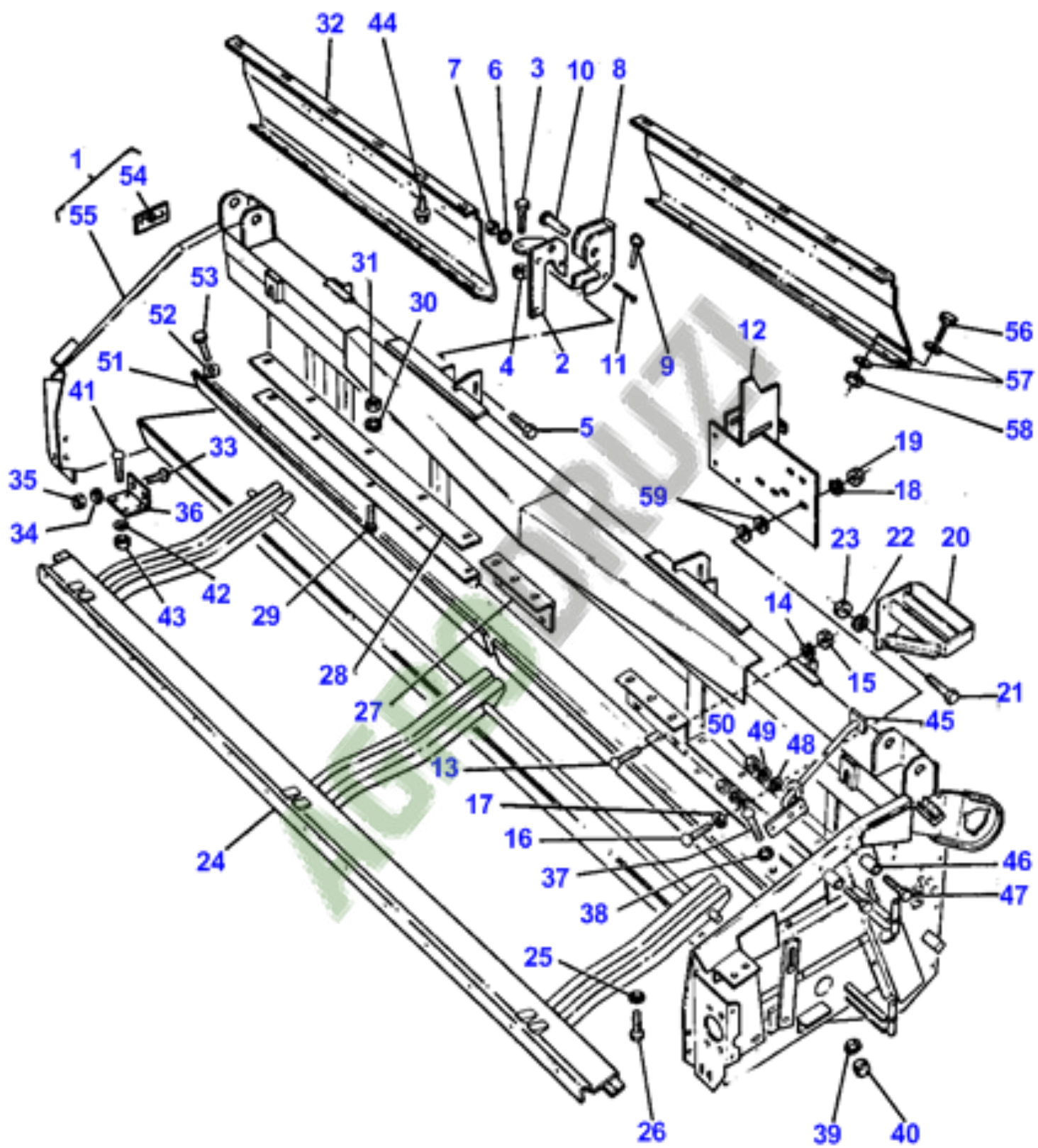


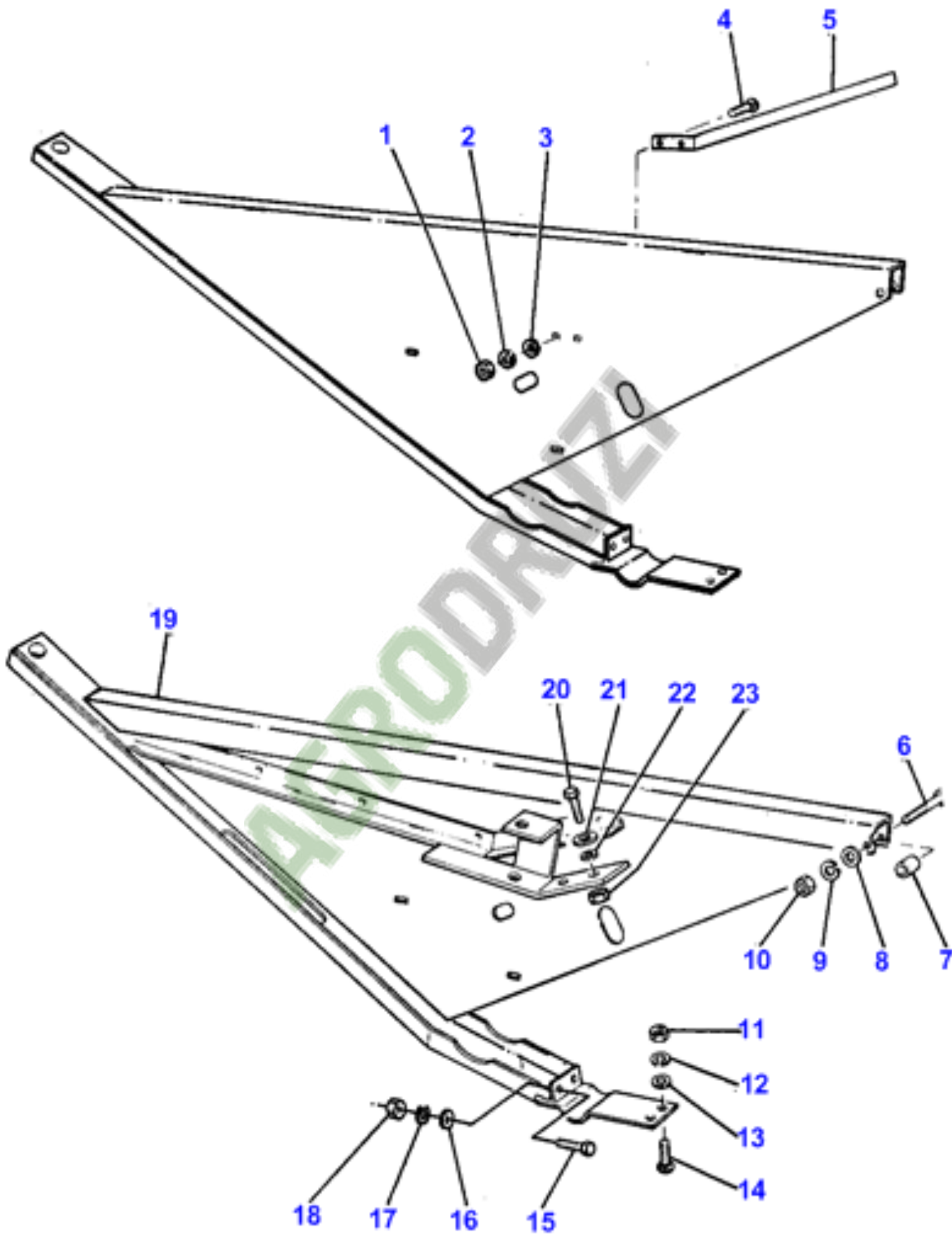


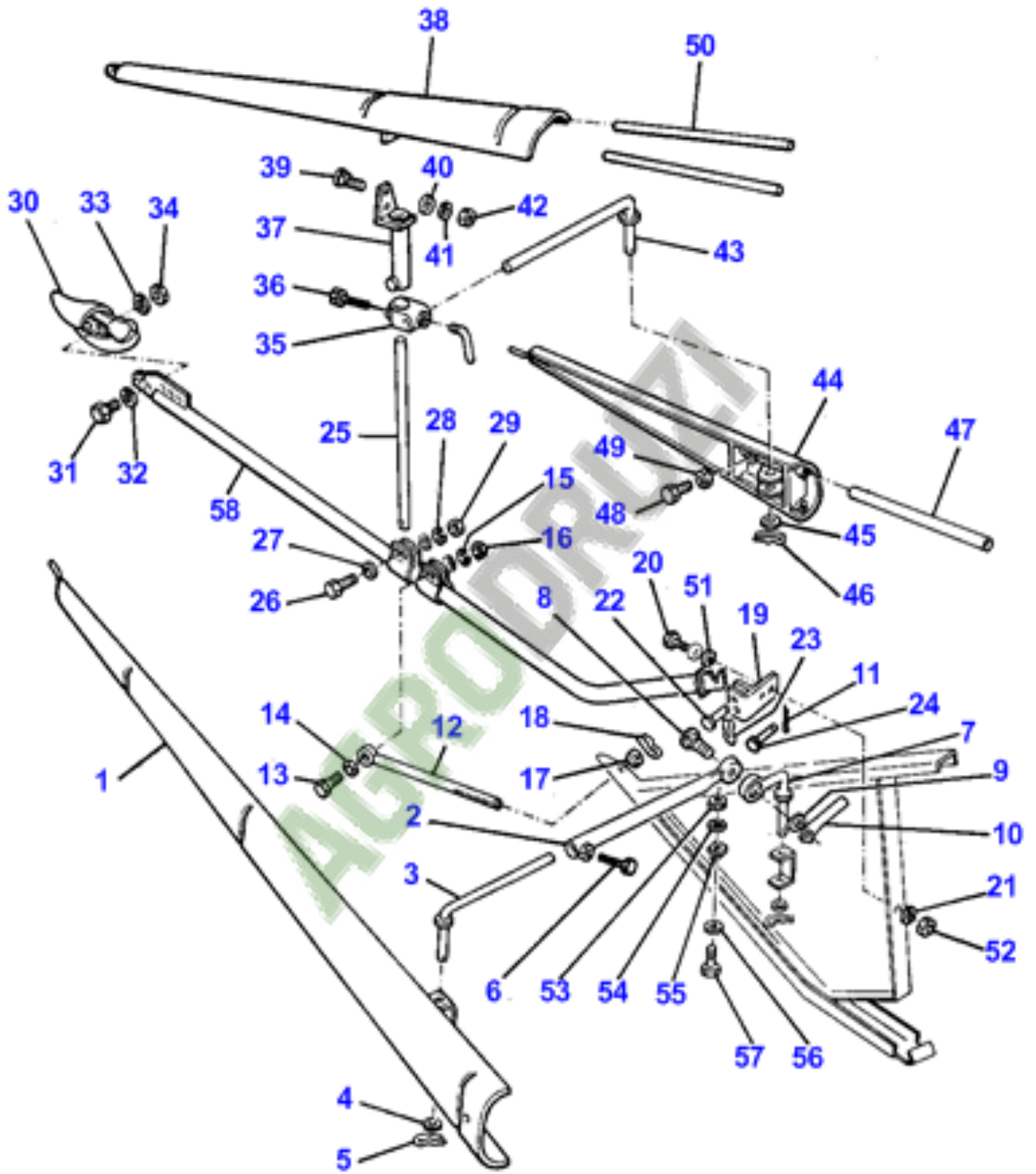


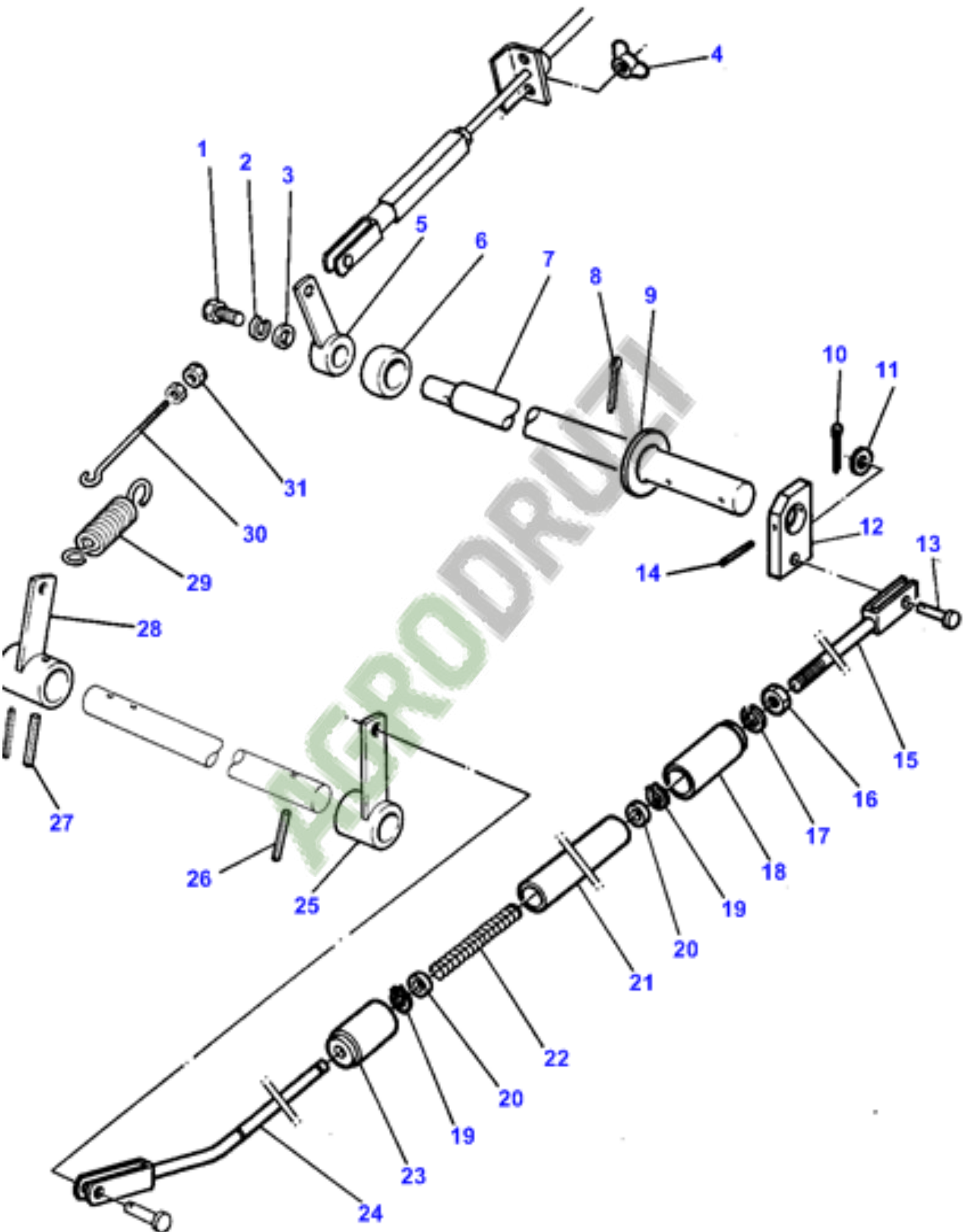


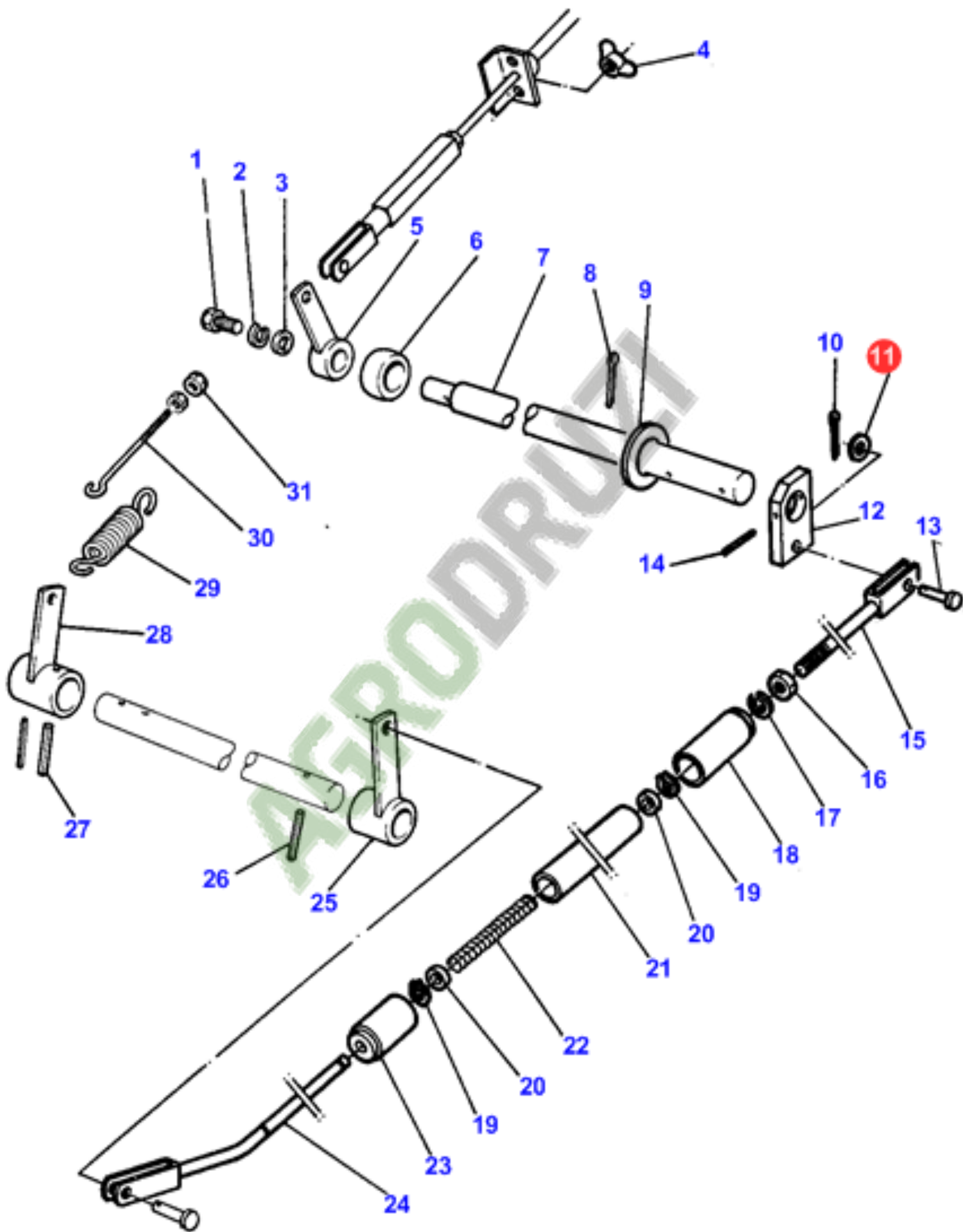


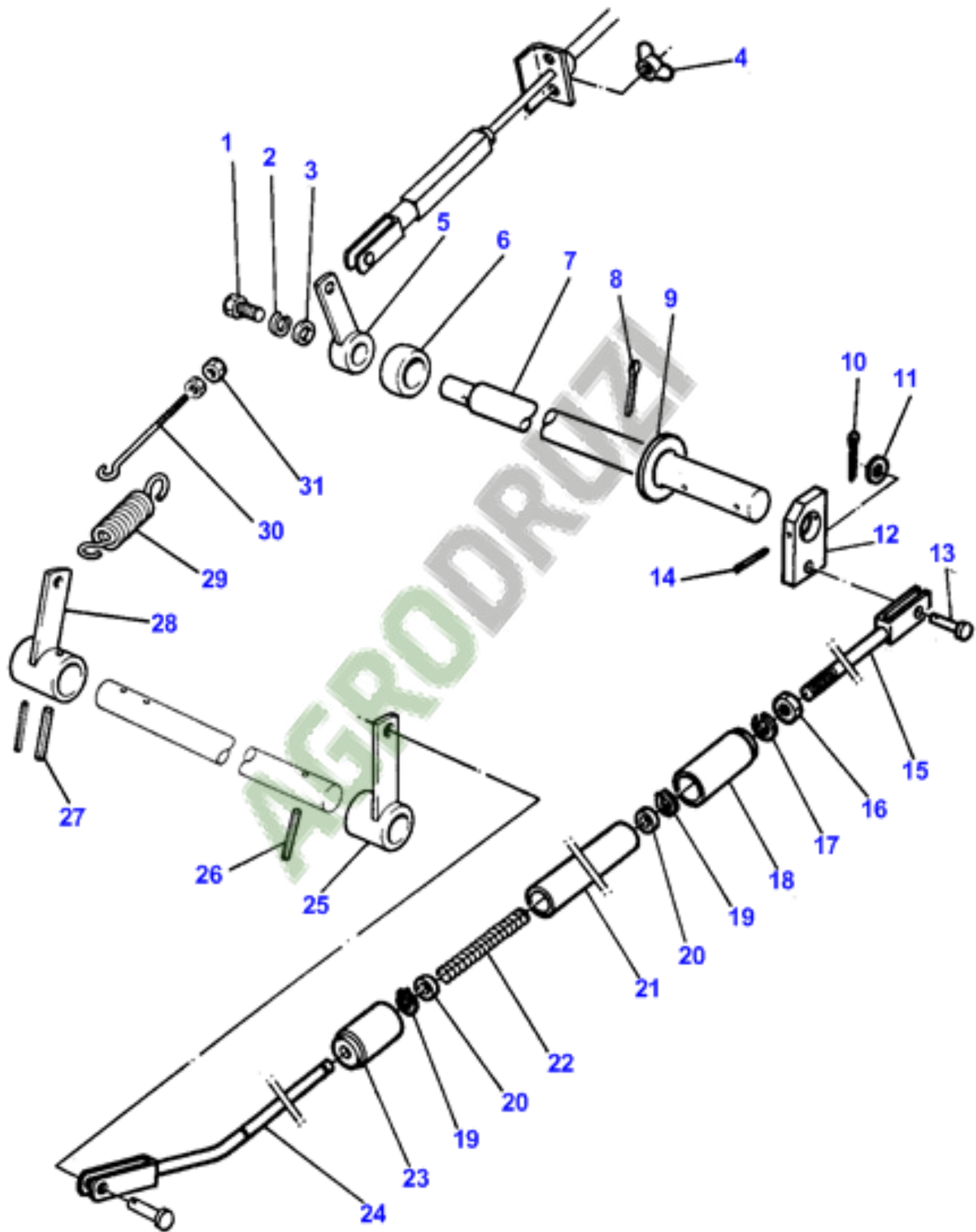


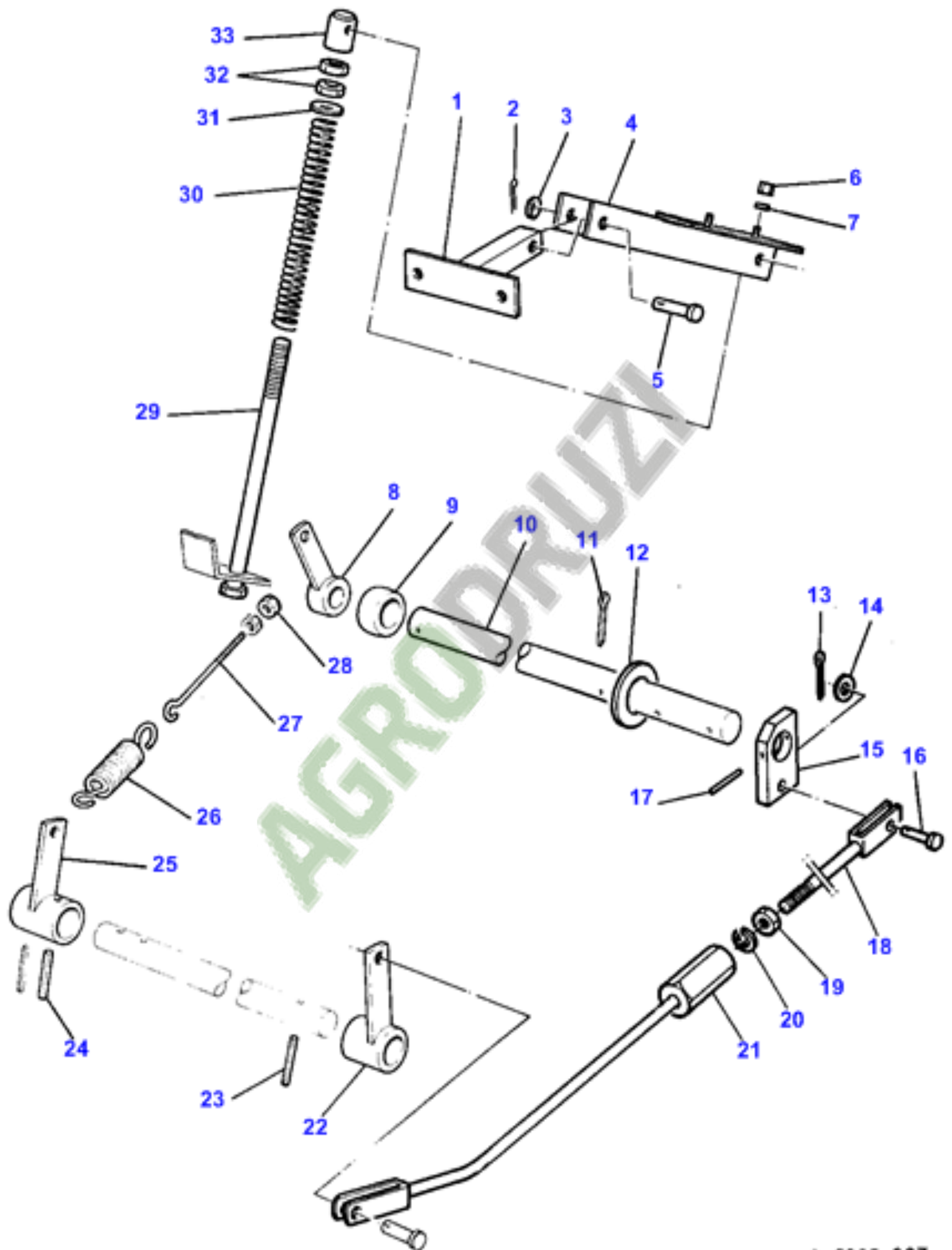




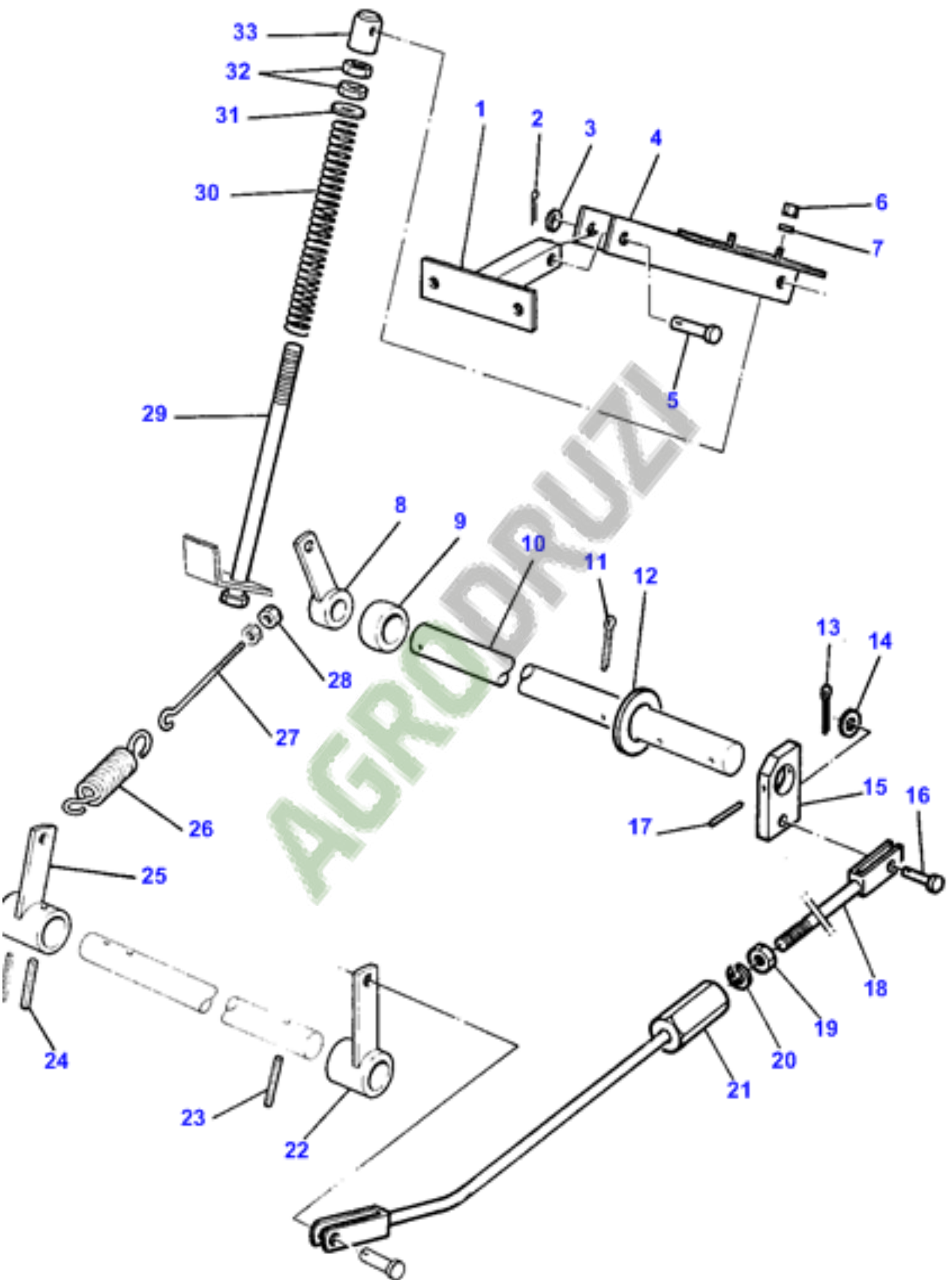


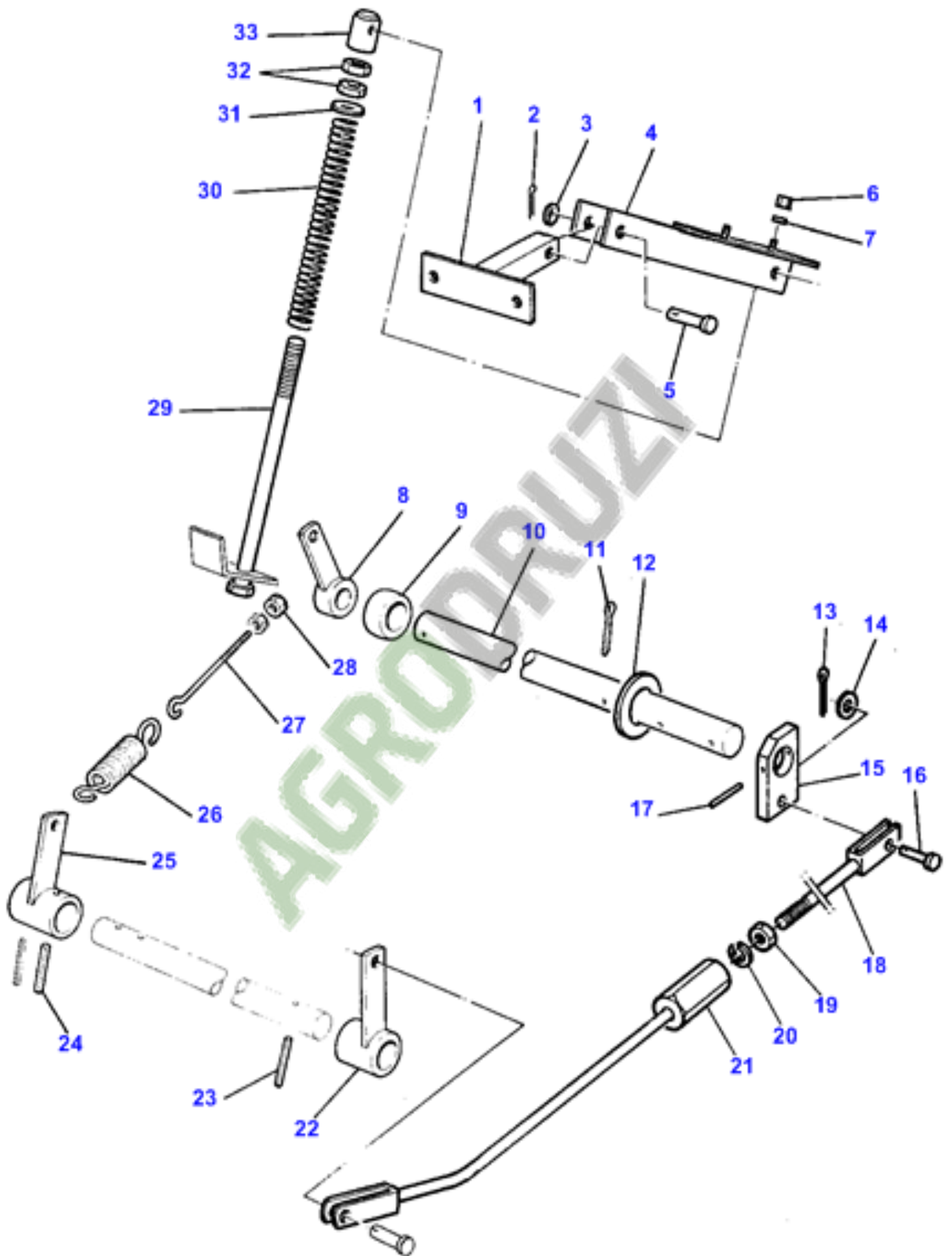


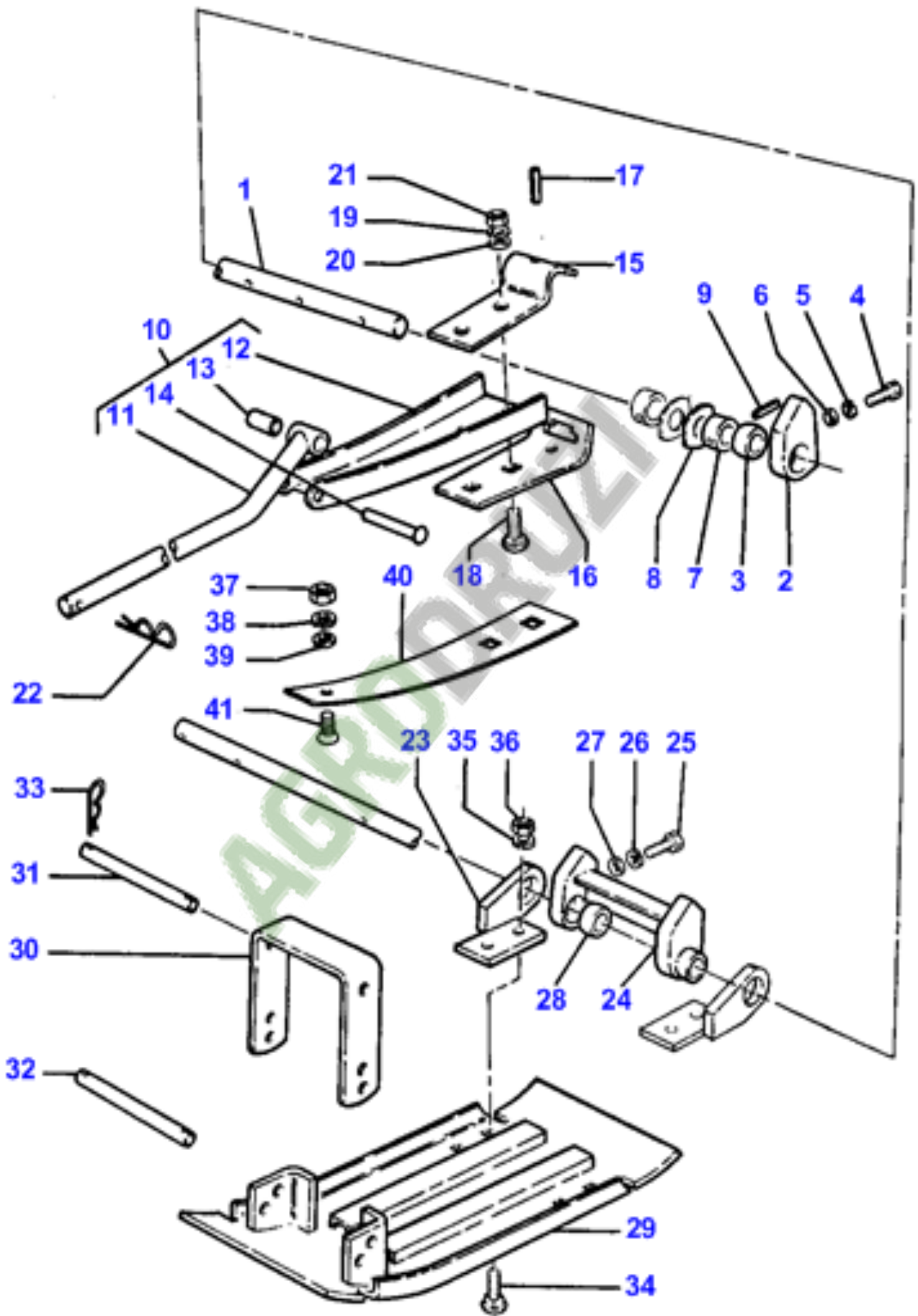


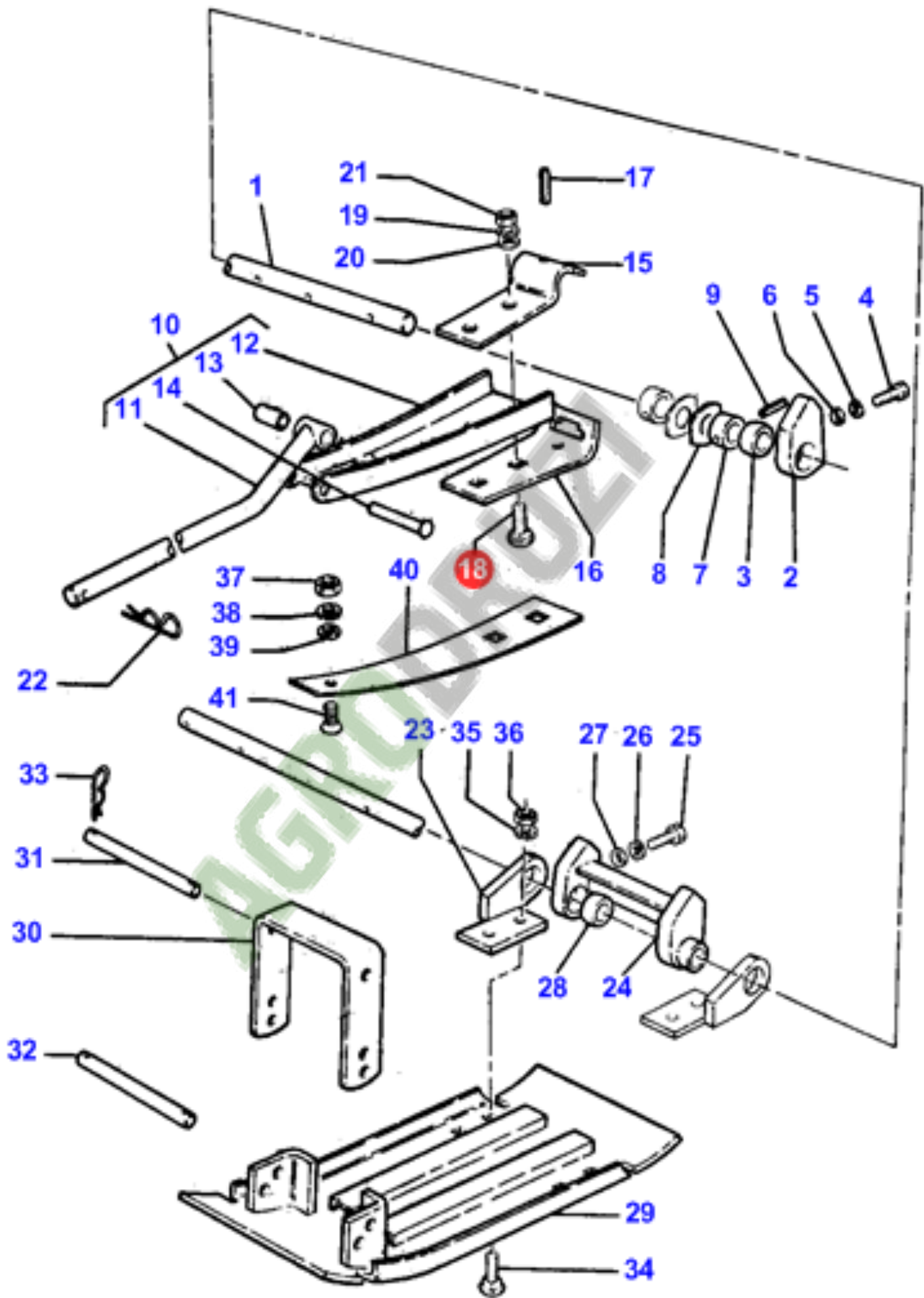


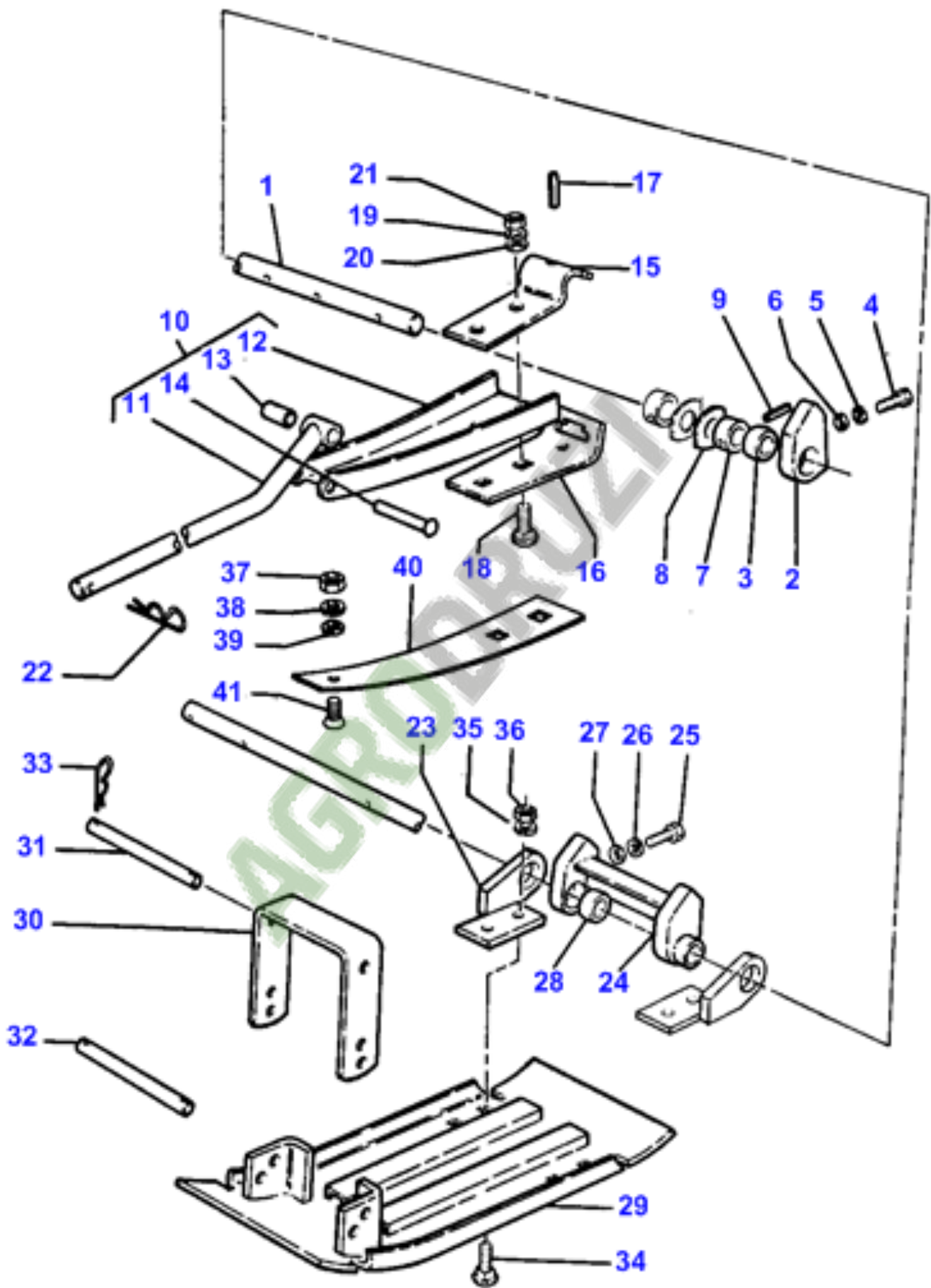
1-2205-007

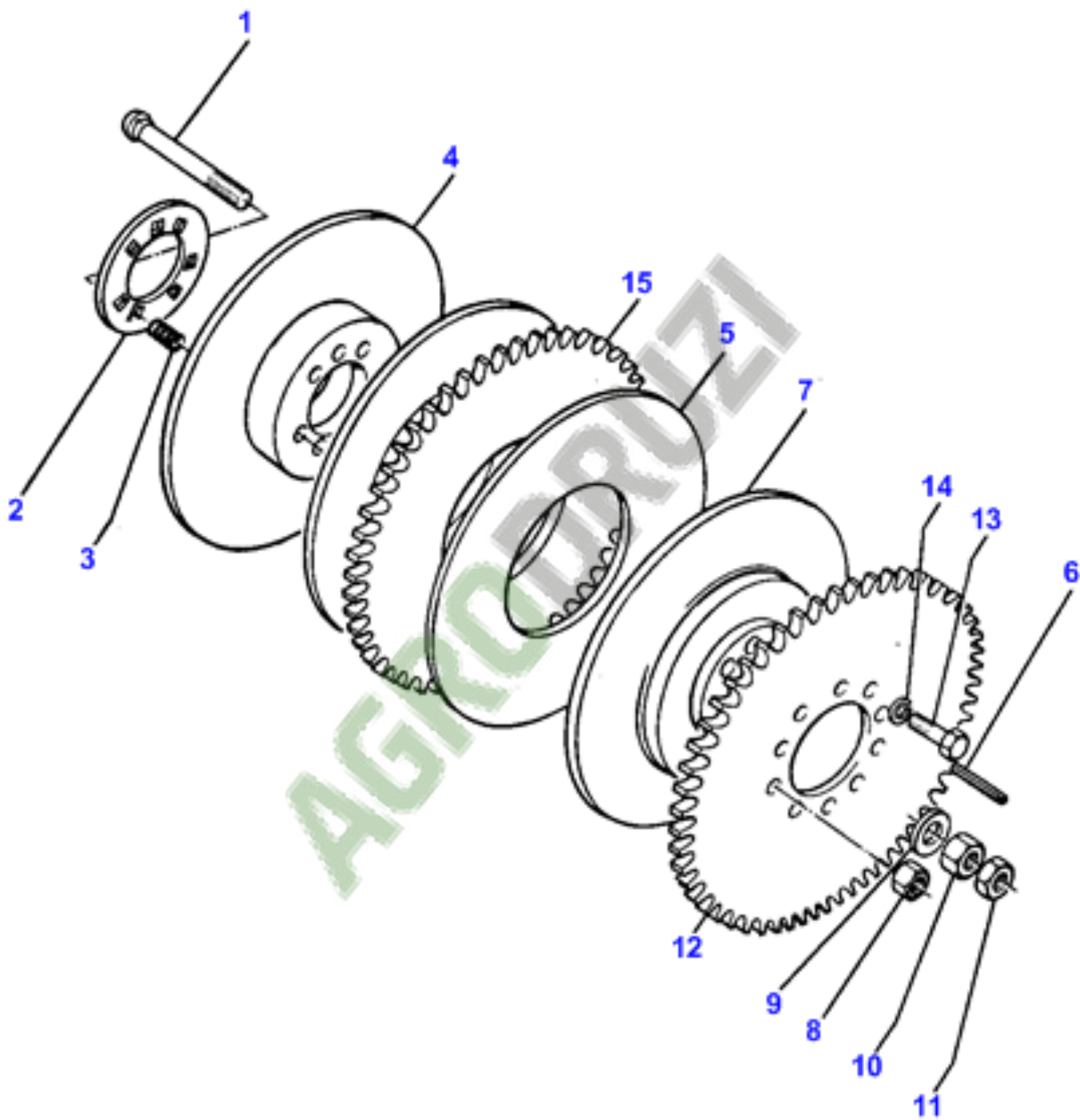


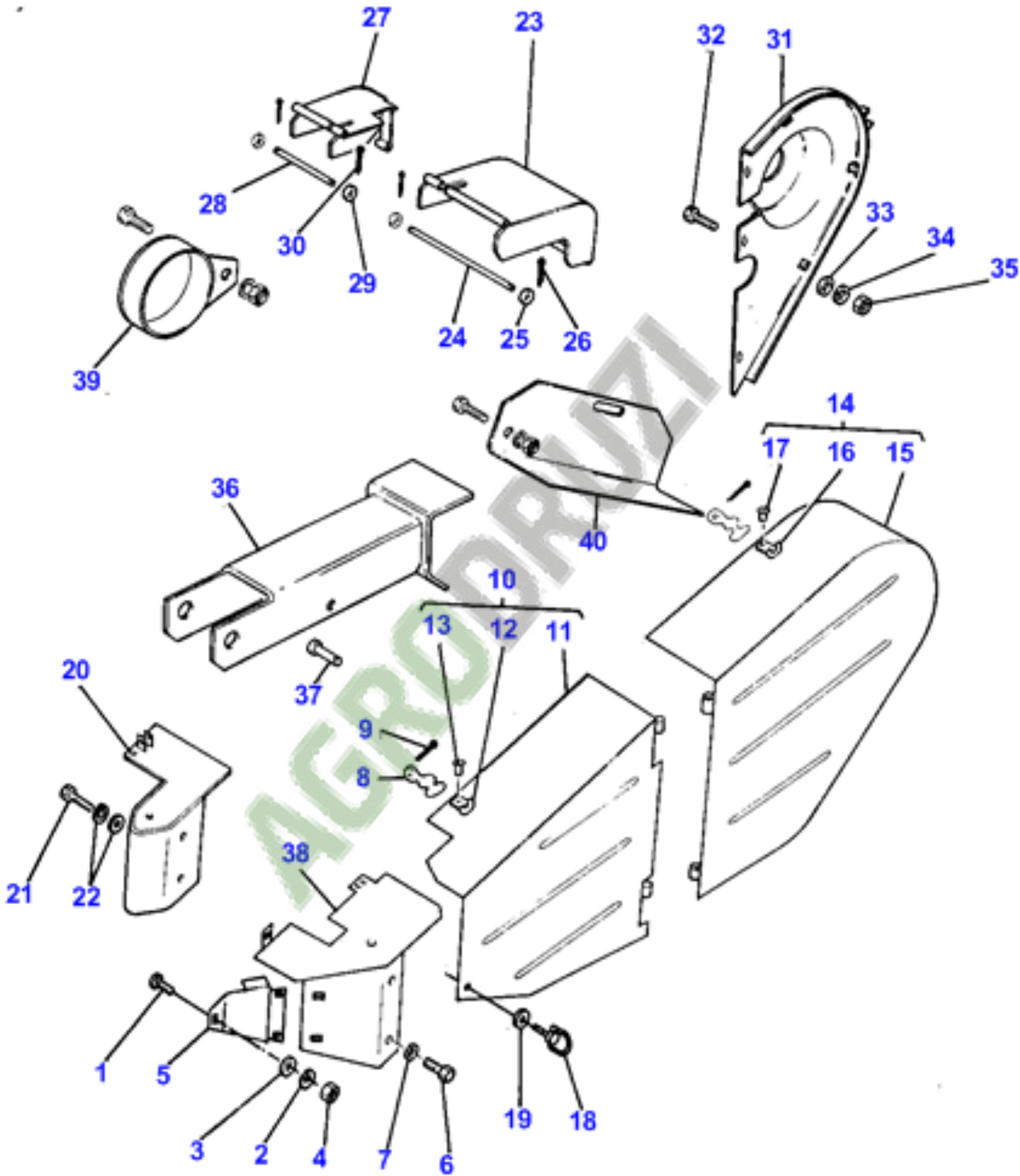


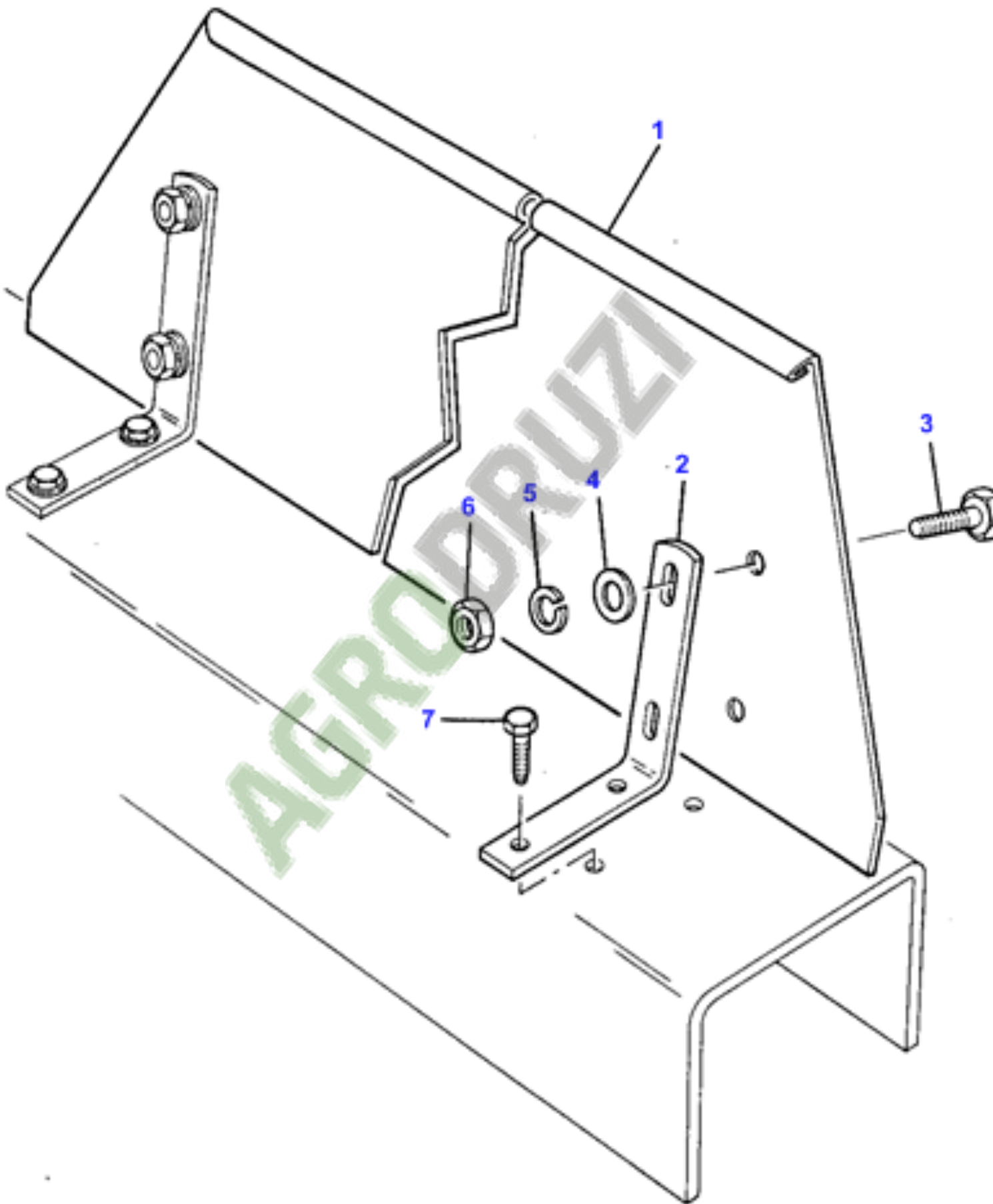


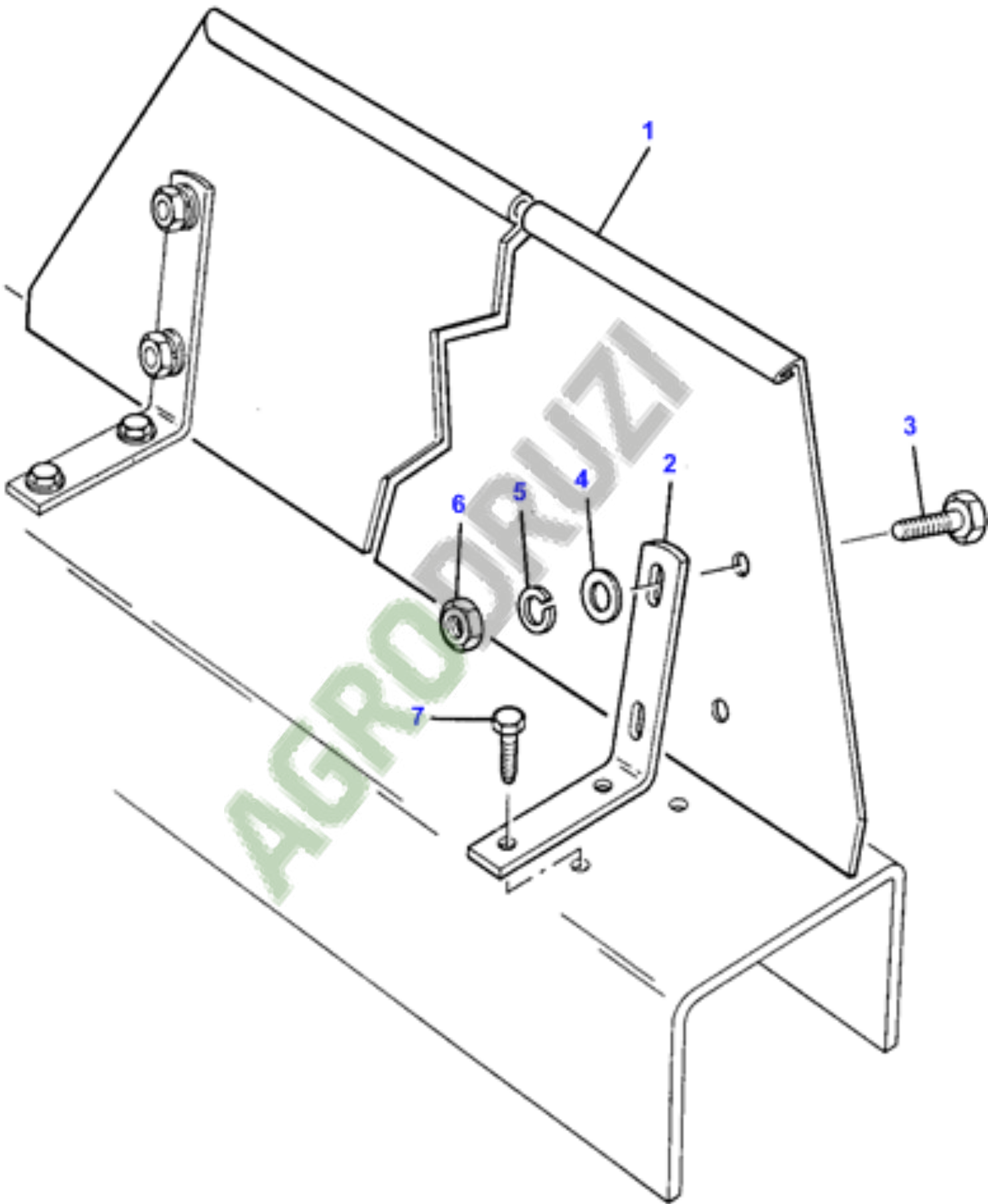












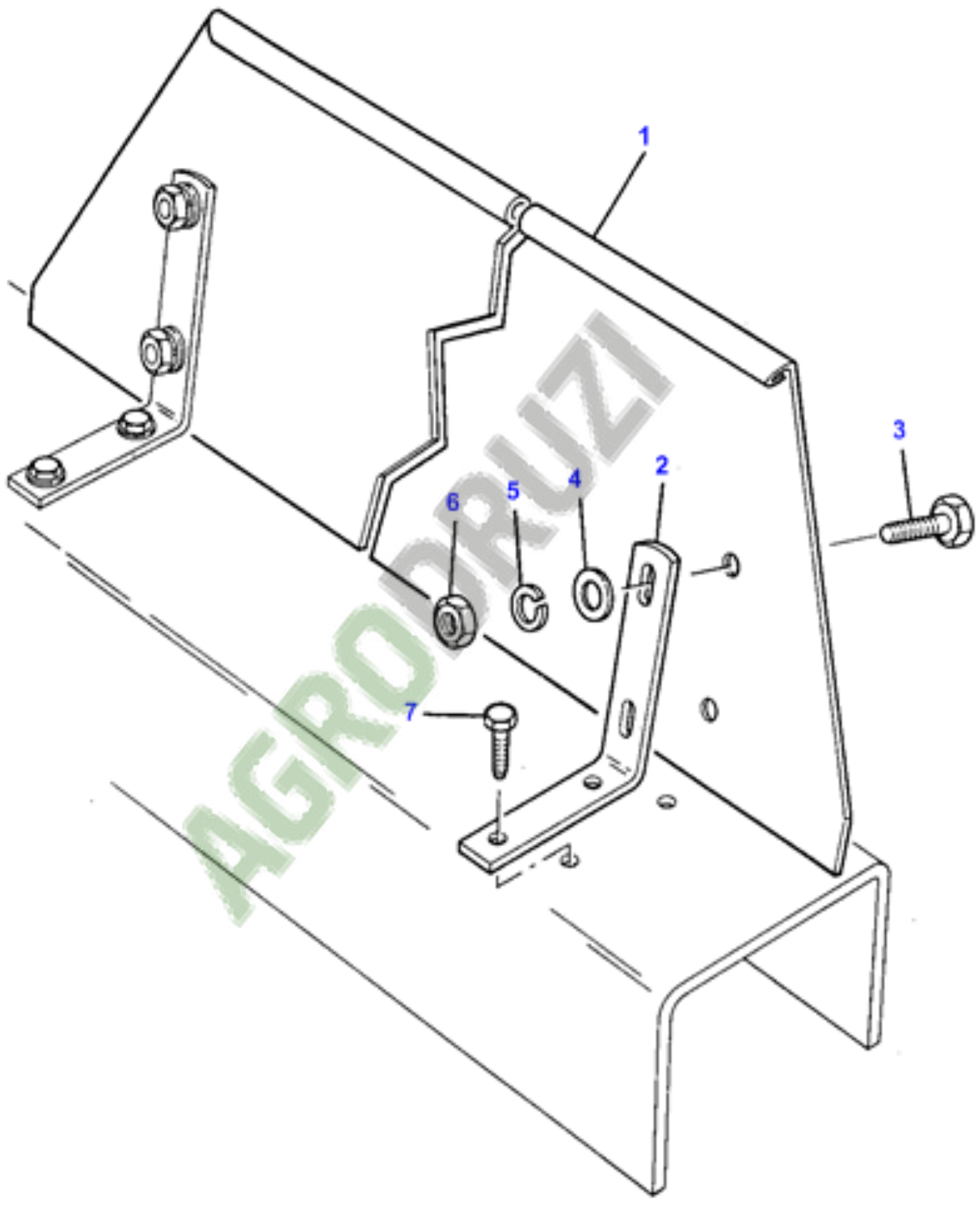


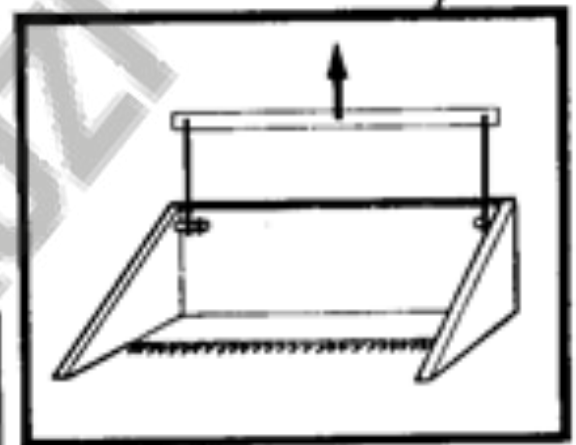
TABLE ATHC ADJUSTMENT

1. DROP TABLE FULLY DOWN WITH HEIGHT LEVER IN LOWEST POSITION.
2. CONNECT CABLE TO TABLE AND BACK OFF ADJUSTING NUTS ON BALL JOINTS.
3. PULL ATHC LEVELS FULLY REARWARDS.
4. ADJUST NUTS UNTIL ALL BACKLASH IS TAKEN OUT OF THE CABLE.
5. START ENGINE AND ADJUST NUTS FURTHER UNTIL THE TABLE RISES TO 1 1/2" - 2" ABOVE THE GROUND.
6. MANUALLY OVER-RIDE THE ATHC BY PUSHING ATHC LEVER FORWARD RELEASE LEVER AND TABLE SHOULD RETURN TO 1 1/2" - 2" ABOVE THE GROUND.

6

4

5



REGLAGE DES TAPIS (TAPIS EN MARCHÉ)

UN TAPIS NECESSITERA UN REGLAGE QUAND UN DE SES BORDS N'EST PLUS RECOUVERT PAR UN GARANT.

1. DESSERRER LES CONTRE-ECROUS DE BLOCAGE DU TAPIS CONSIDERE.
2. DEVISSER LE BOULON CORRESPONDANT AU COTE DU ROULEAU A PARTIR DUQUEL LE TAPIS S'EST DEPLACE.
3. VISSER LE BOULON OPPOSE AU COTE DU ROULEAU A PARTIR DUQUEL LE TAPIS S'EST DEPLACE, JUSQU'A CE QUE LE TAPIS SOIT APPROXIMATIVEMENT CENTRE SUR SON ROULEAU.
4. SERRER LE BOULON DU COTE OPPOSE LE PLUS POSSIBLE SANS AFFECTER LE CENTRAGE DU TAPIS.
5. SERRER LES DEUX CONTRE-ECROUS DE CLOCAGE DANS CETTE POSITION.

3

7

8



CONVEYOR ADJUSTMENT (CONVEYOR RUNNING)

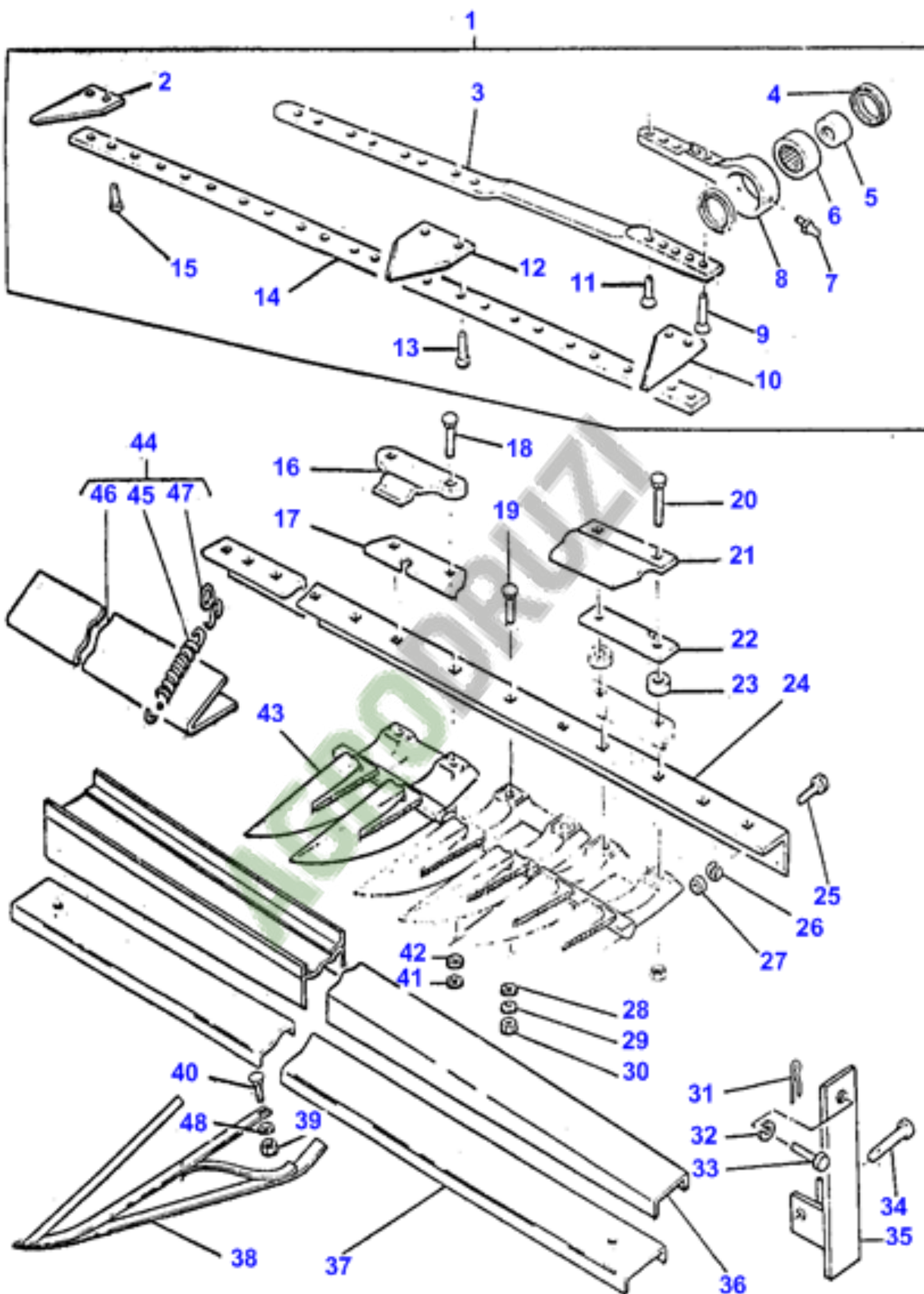
A CONVEYOR WILL REQUIRE ADJUSTMENT WHEN THE CONVEYOR EDGE IS NO LONGER COVERED BY THE CONVEYOR EDGE SHIELD.

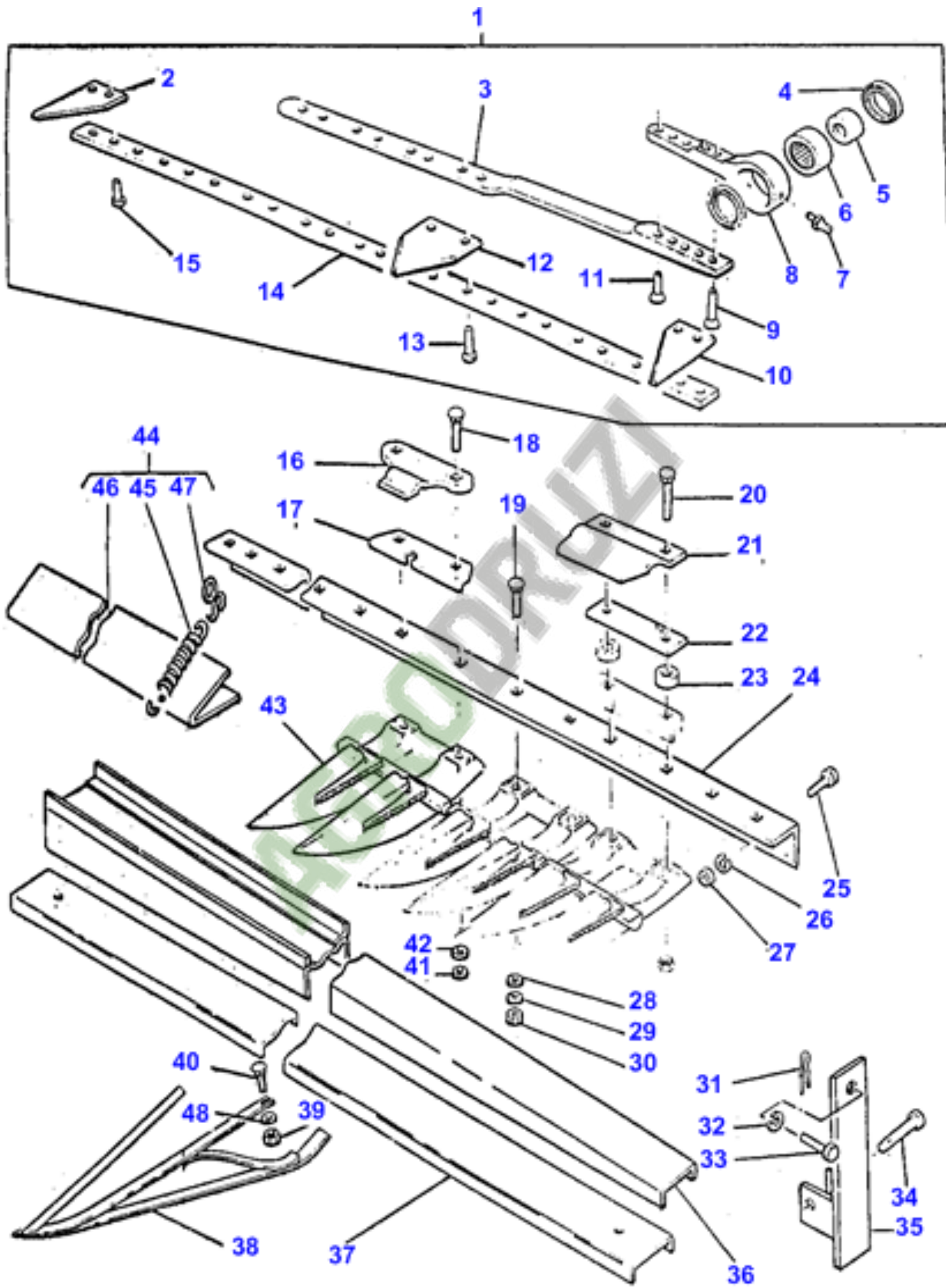
1. UNLOCK ADJUSTING BOLTS OF THE APPROPRIATE CONVEYOR.
2. SCREW - ANTICLOCKWISE - THE ADJUSTING BOLT ADJACENT TO THE END OF THE ROLLER FROM WHICH THE CONVEYOR HAS MOVED.
3. SCREW - CLOCKWISE - THE BOLT AT OPPOSITE END OF THE SAME ROLLER UNTIL THE CONVEYOR IS APPROXIMATELY POSITIONED IN THE CENTRE OF THE ROLLER.
4. TIGHTEN THE BOLT AT OPPOSITE END - CLOCKWISE - SUFFICIENTLY WITHOUT AFFECTING CENTERING OF THE CONVEYOR.
5. LOCK BOTH TIGHTENING BOLTS IN POSITION.

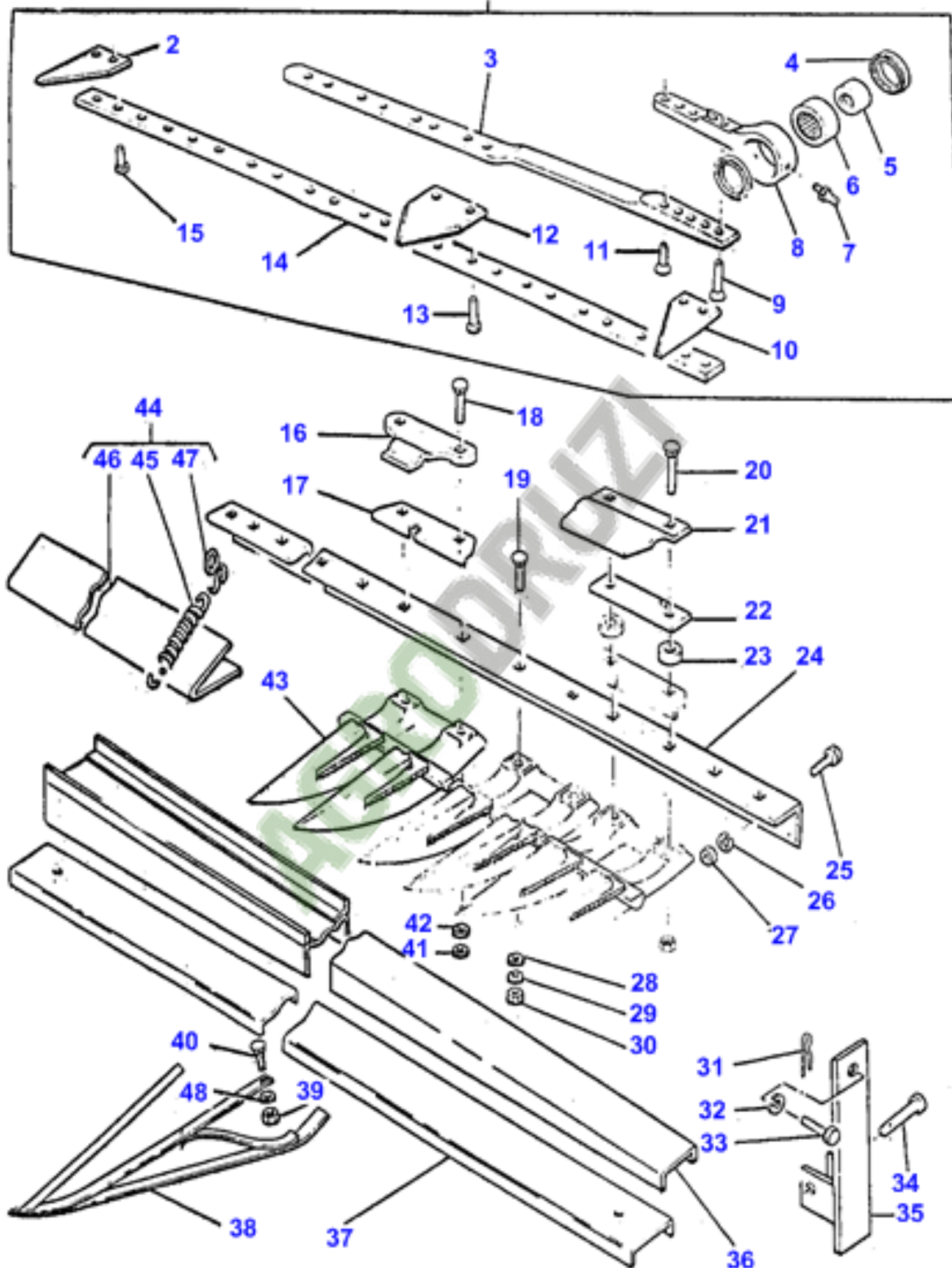
2

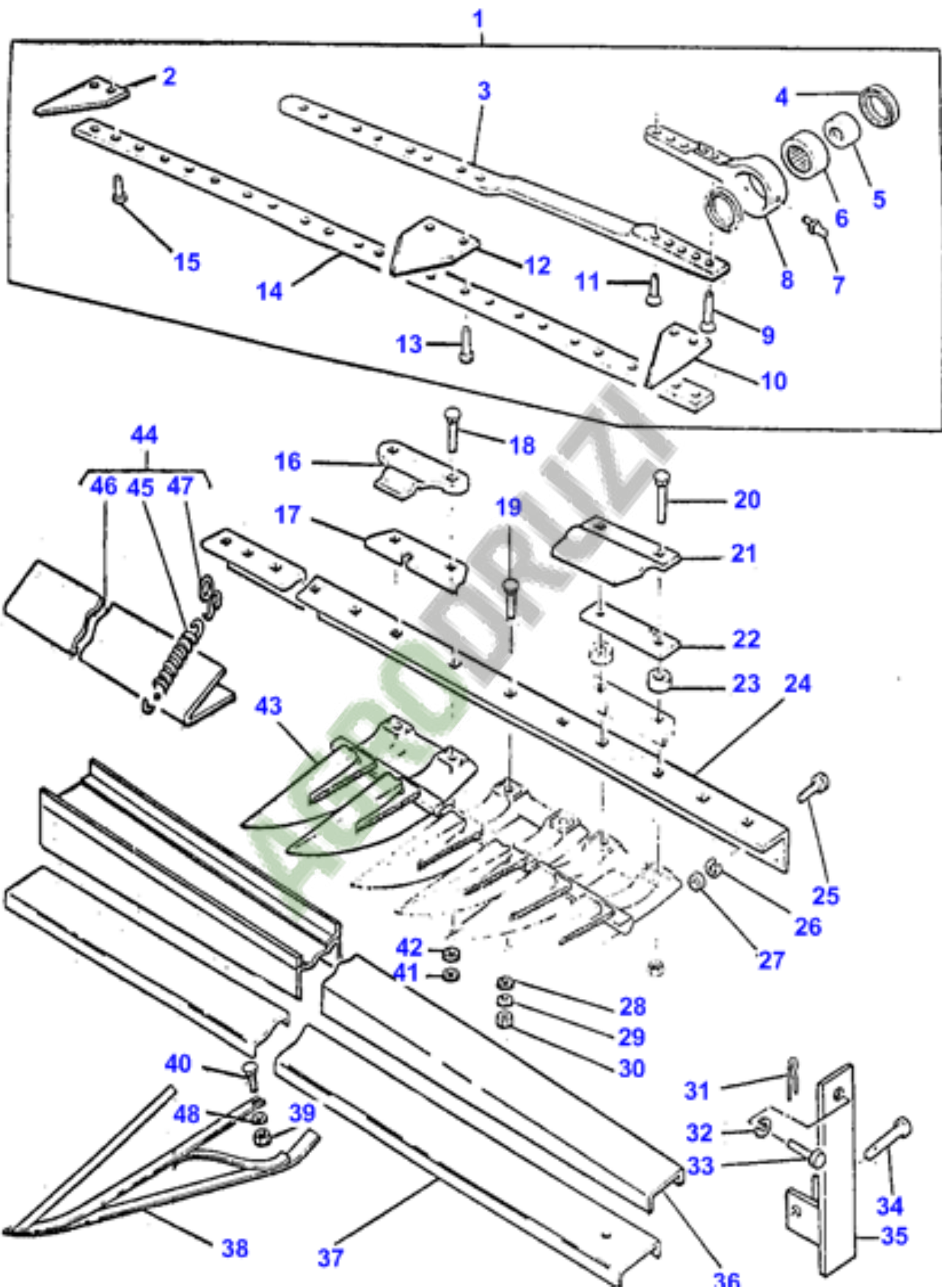


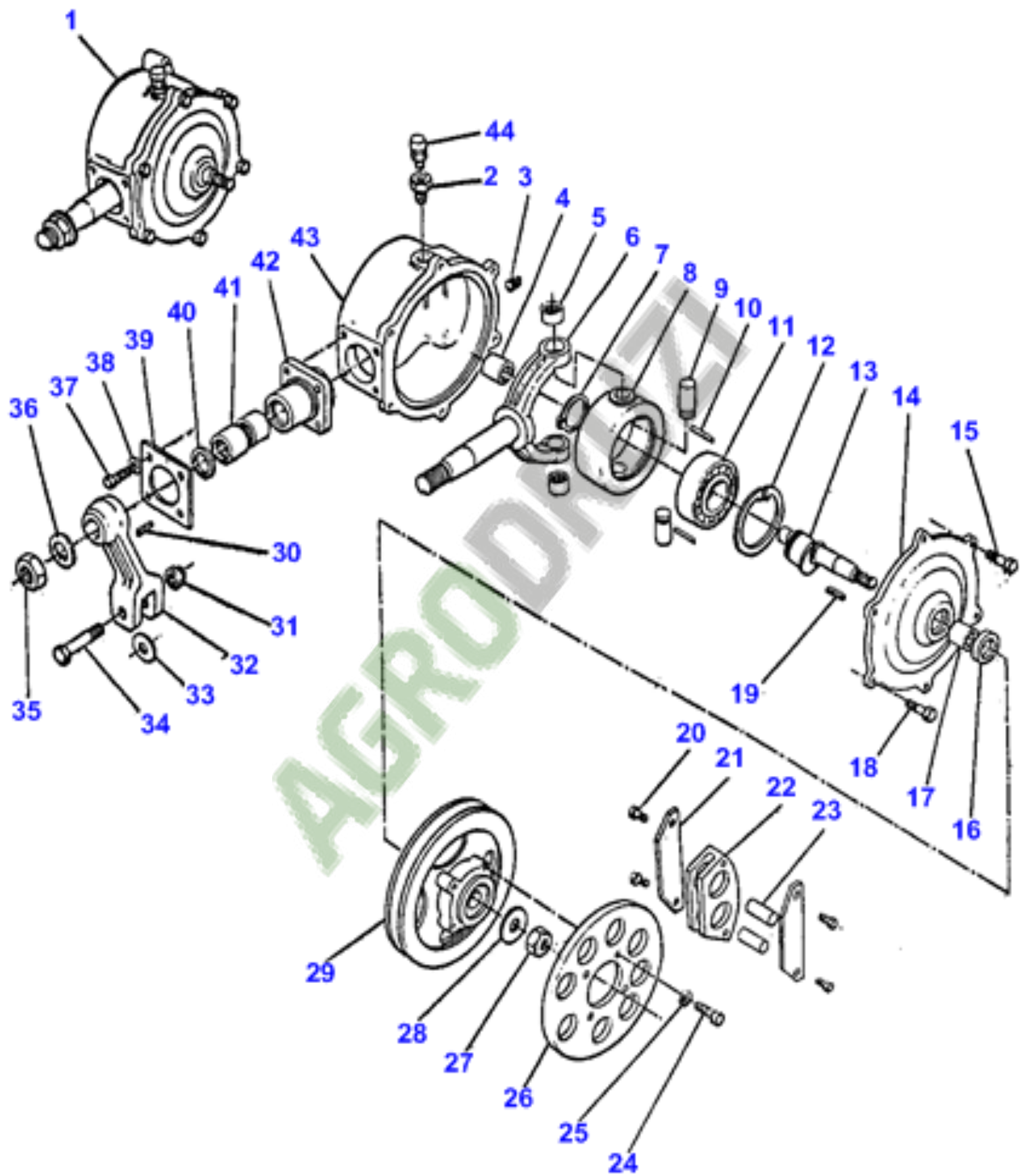
1

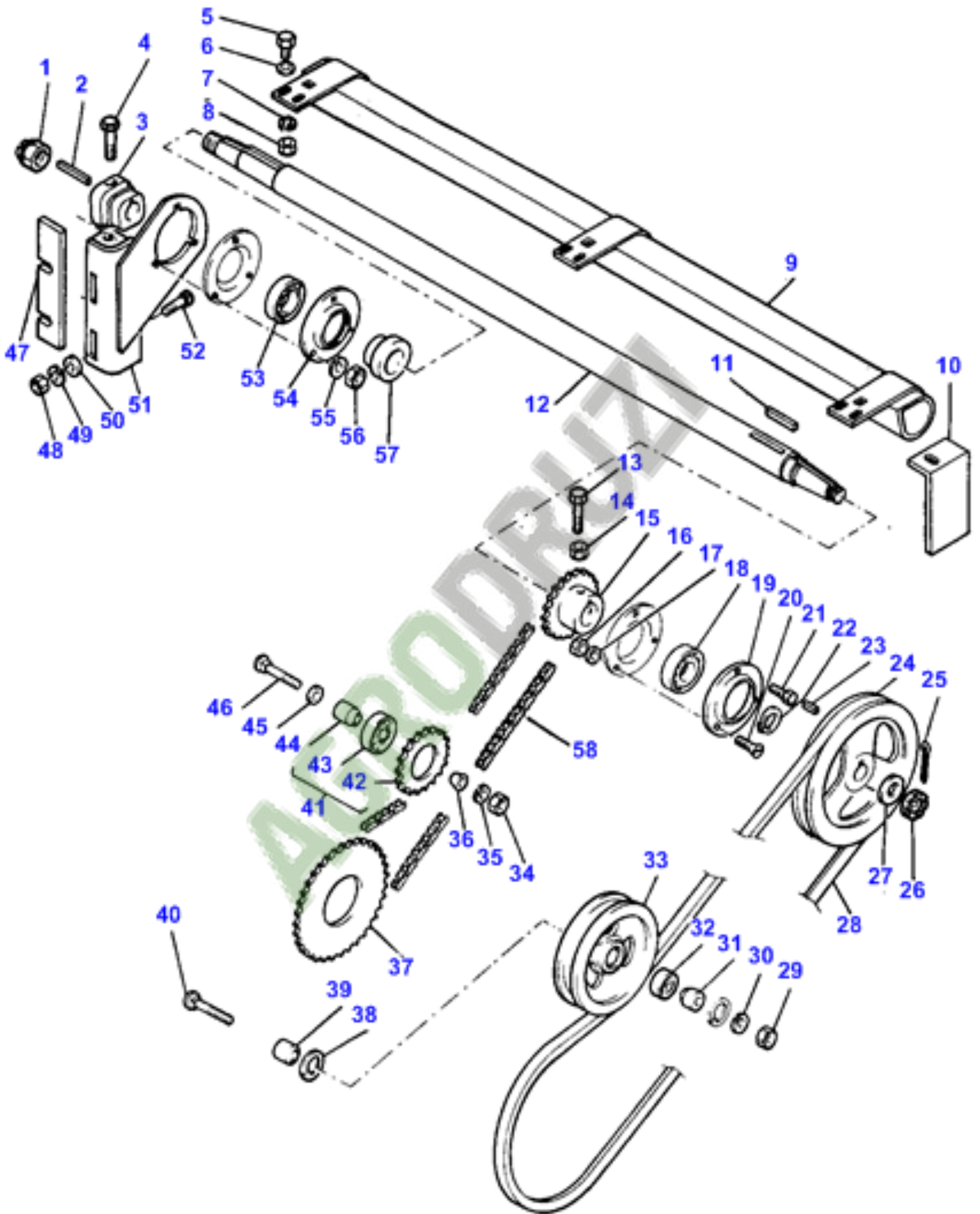


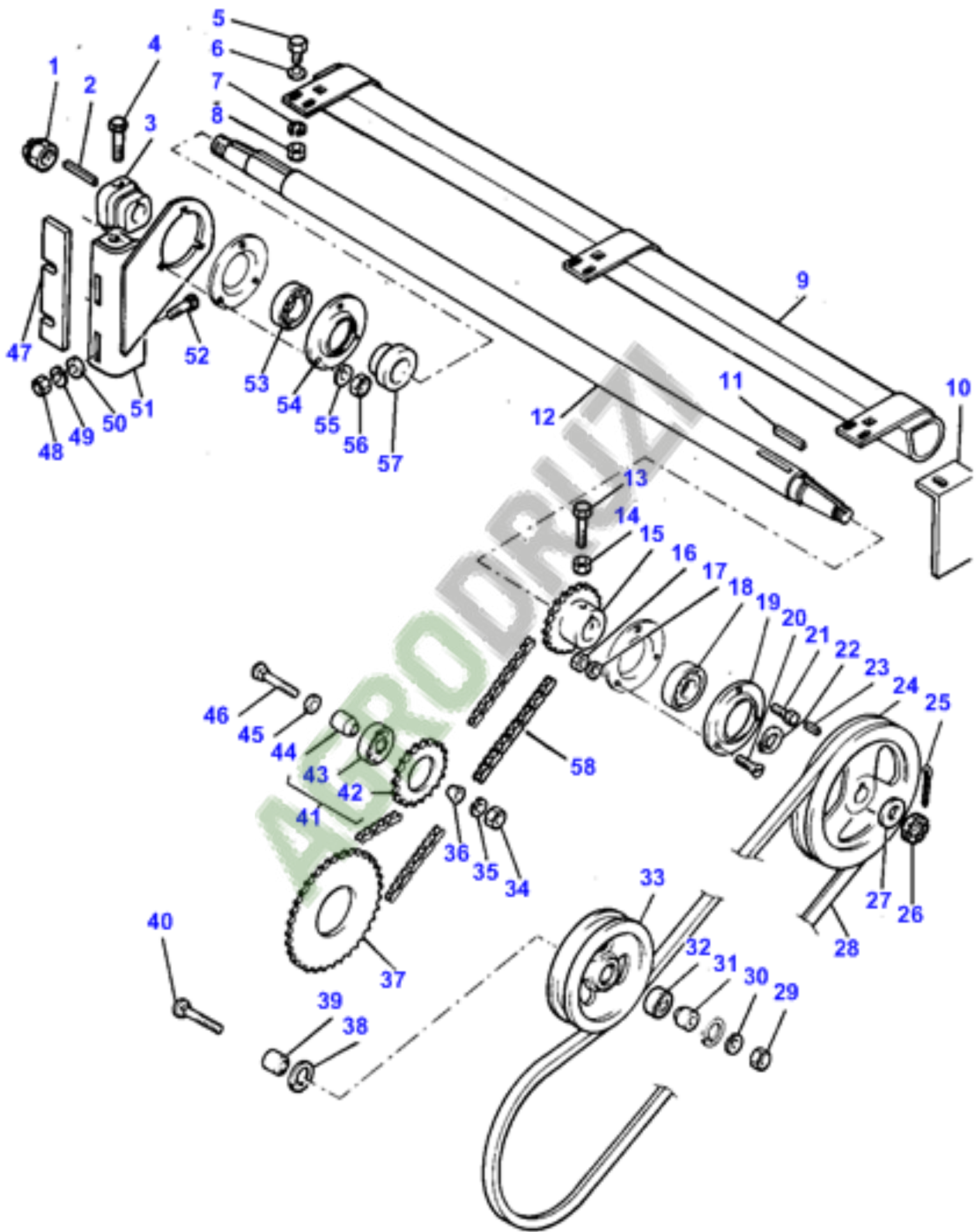


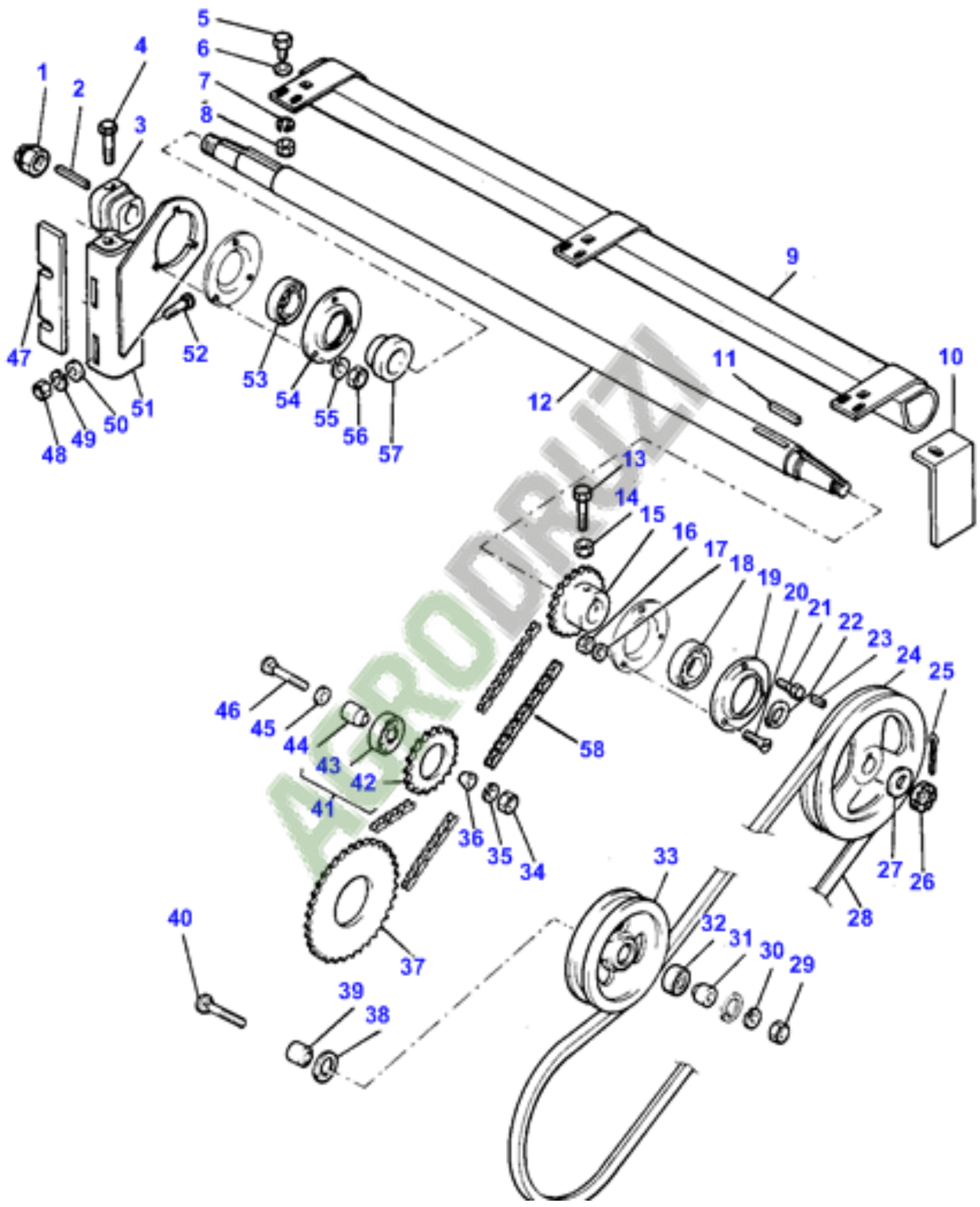


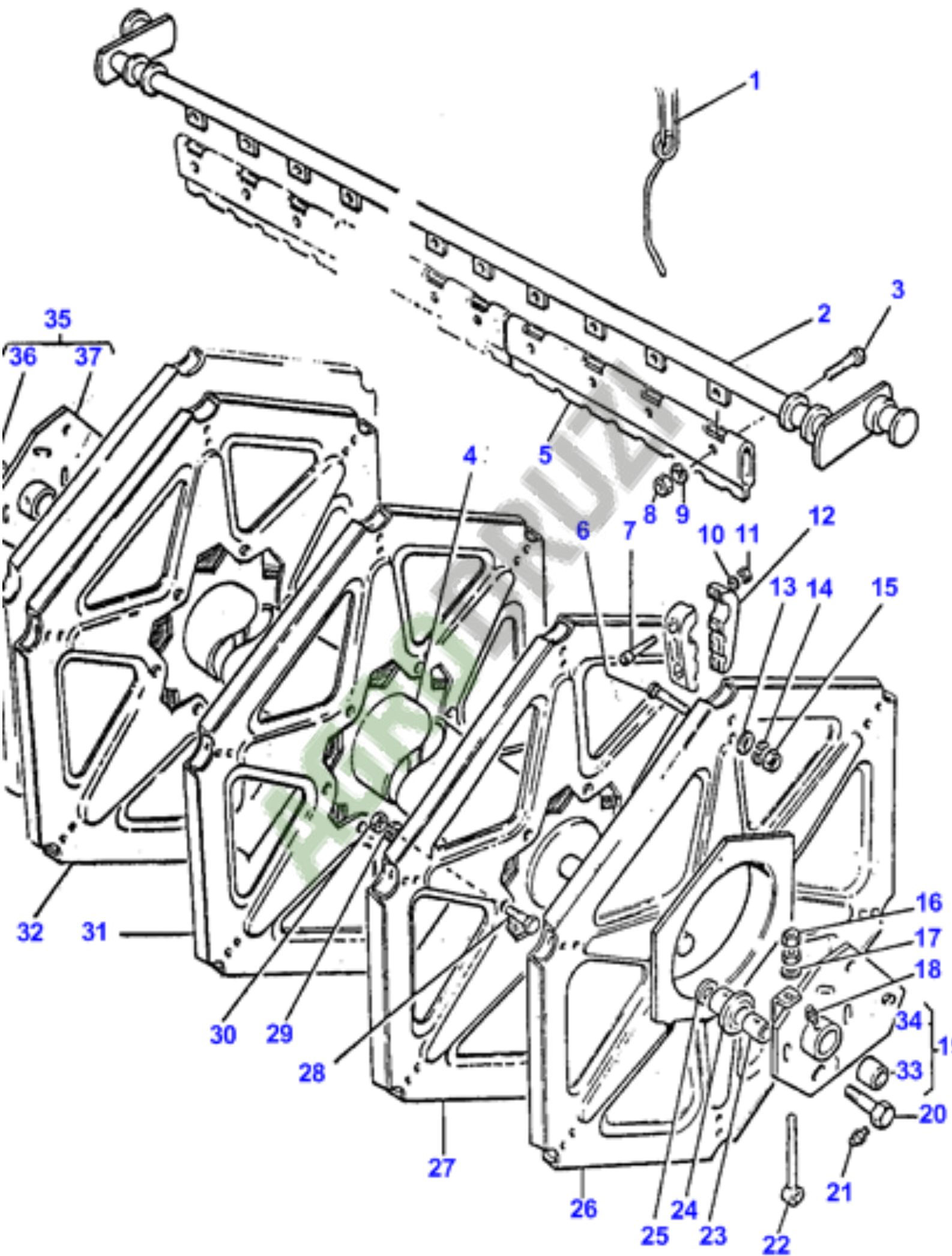


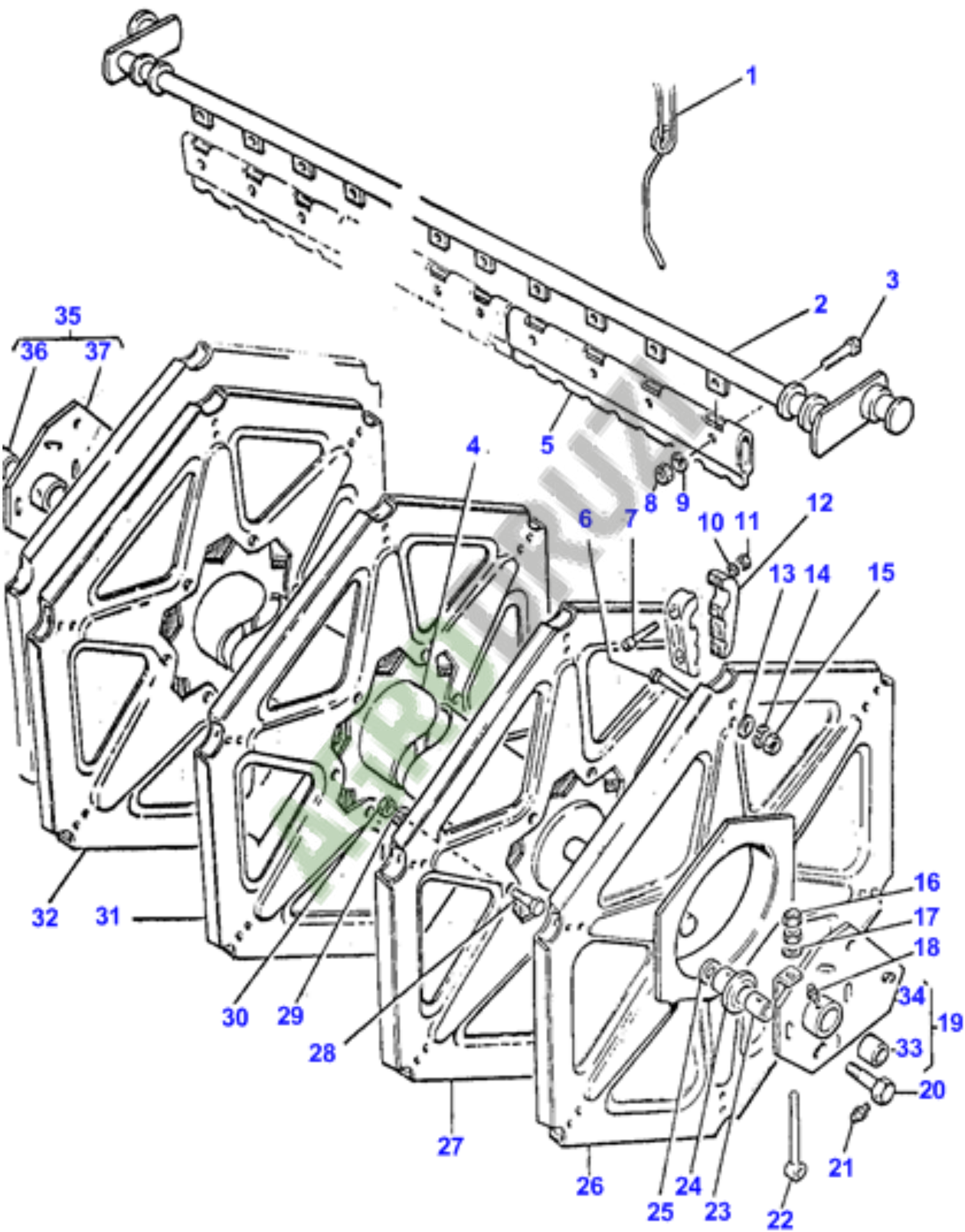


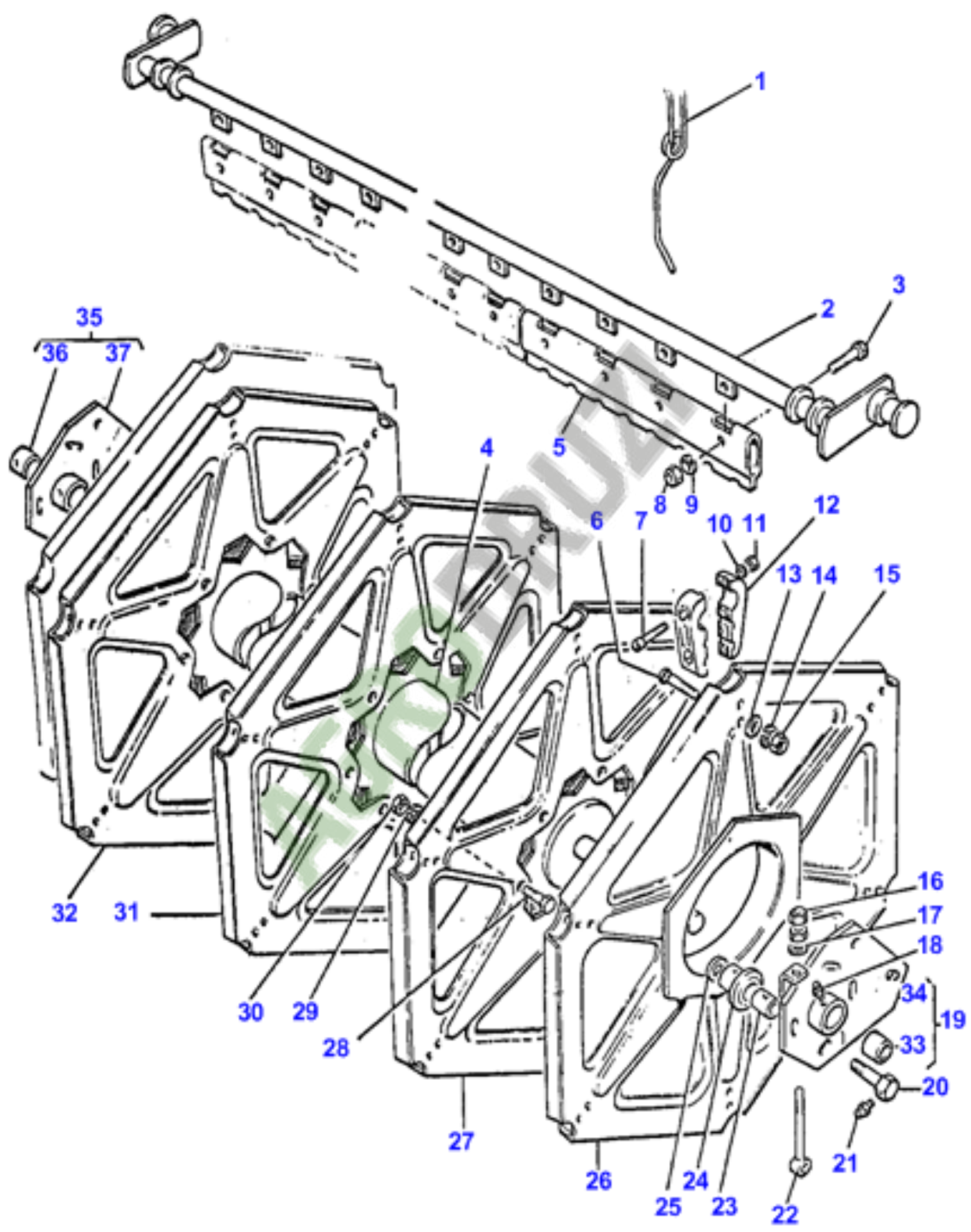


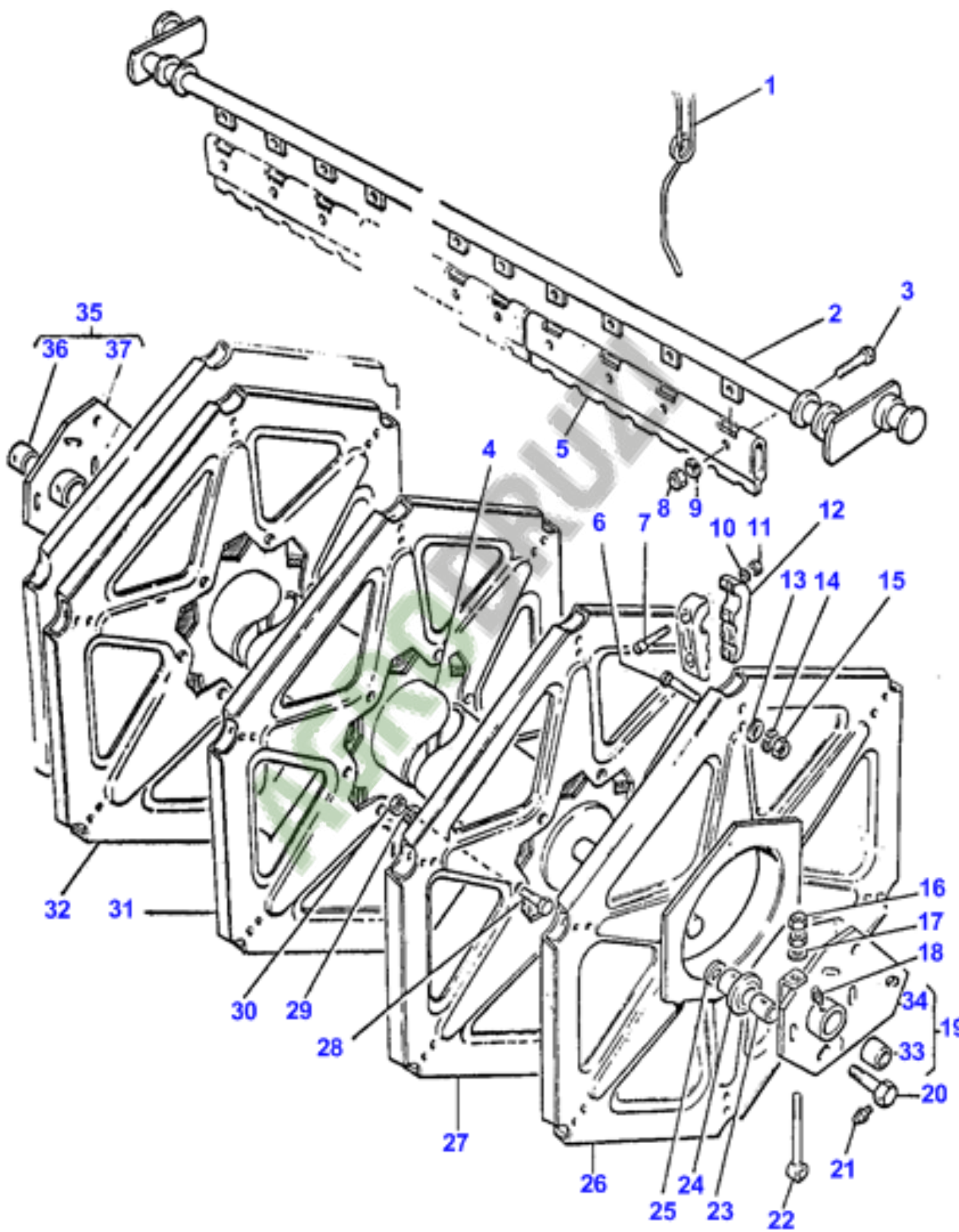


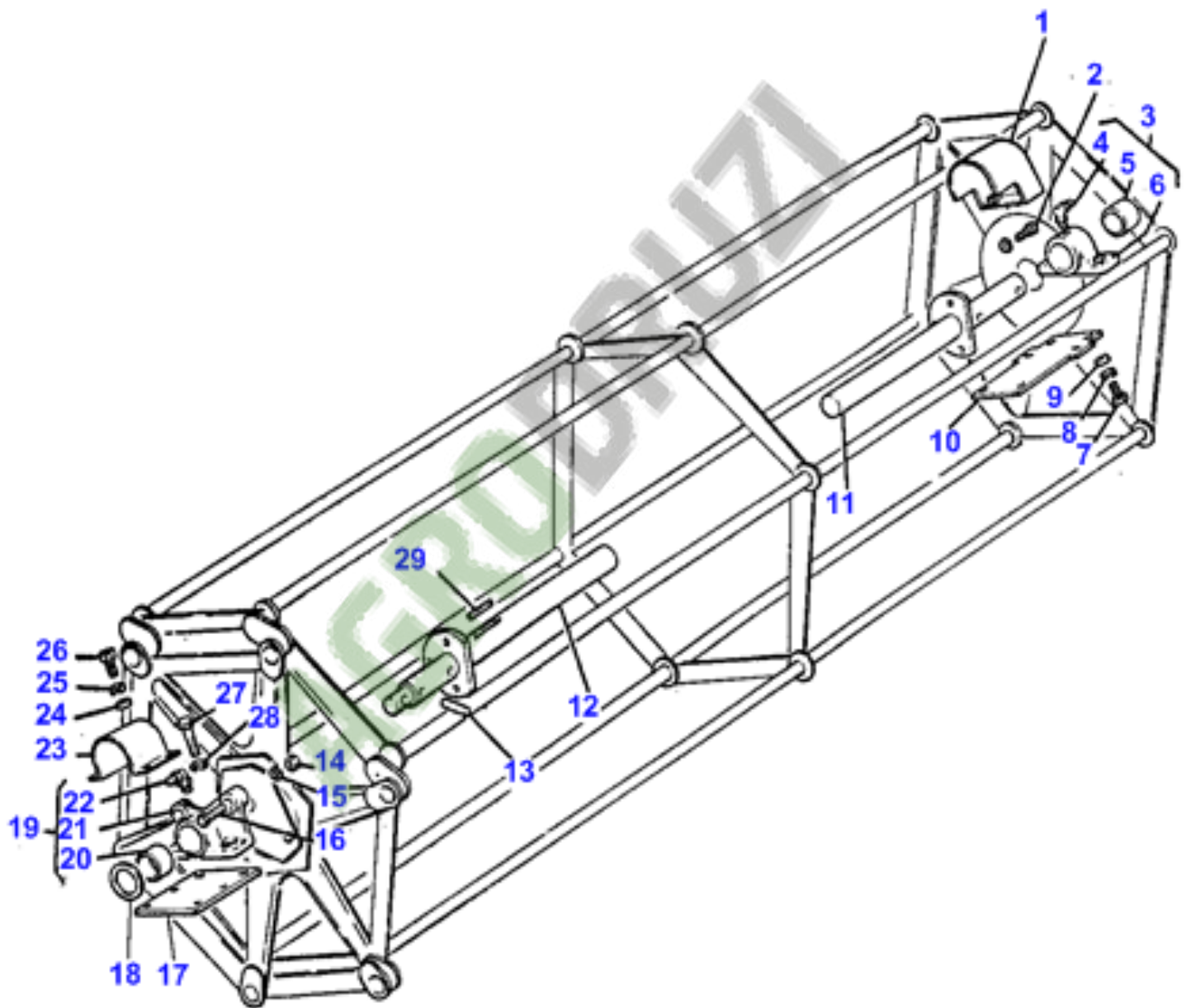


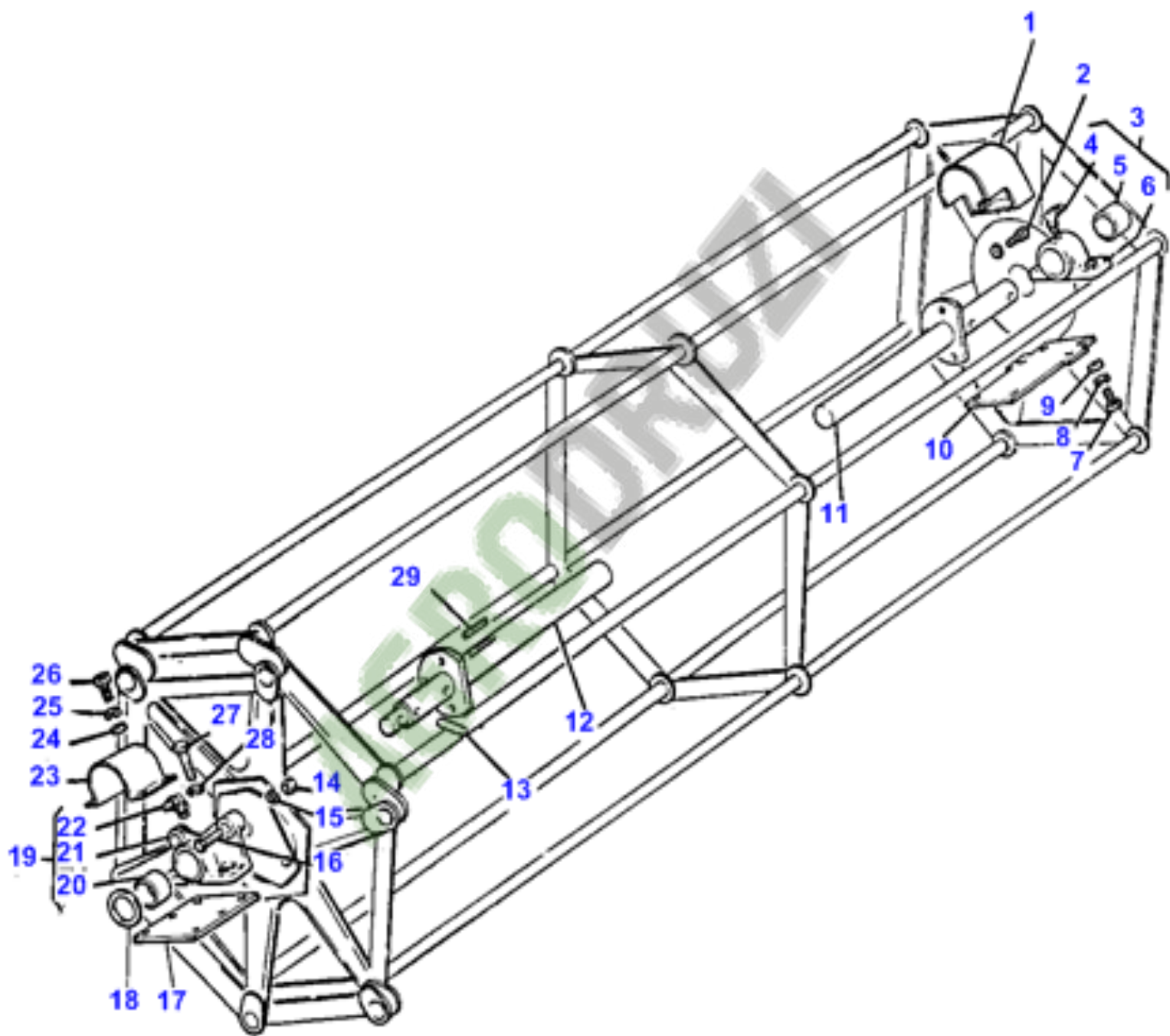


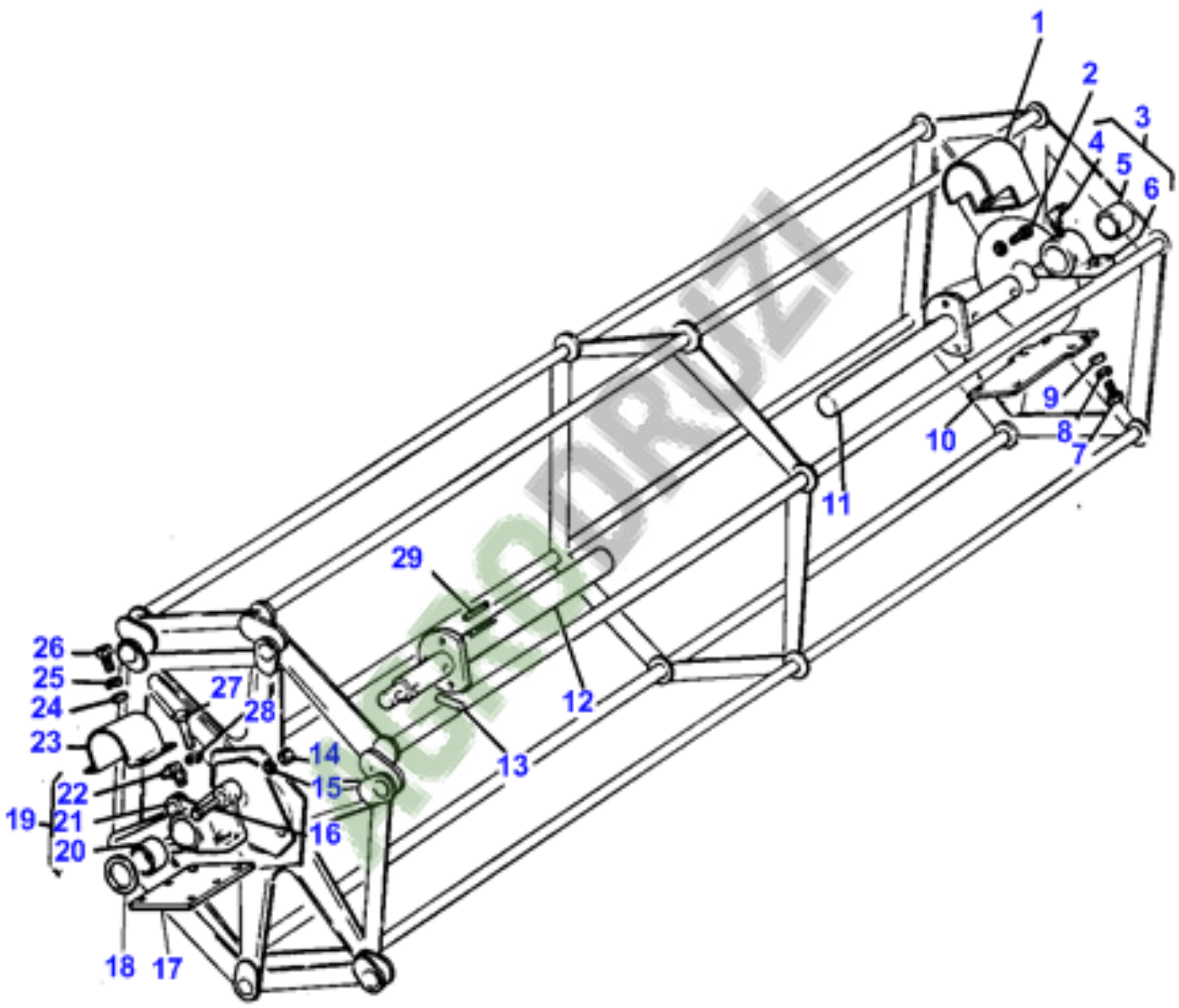


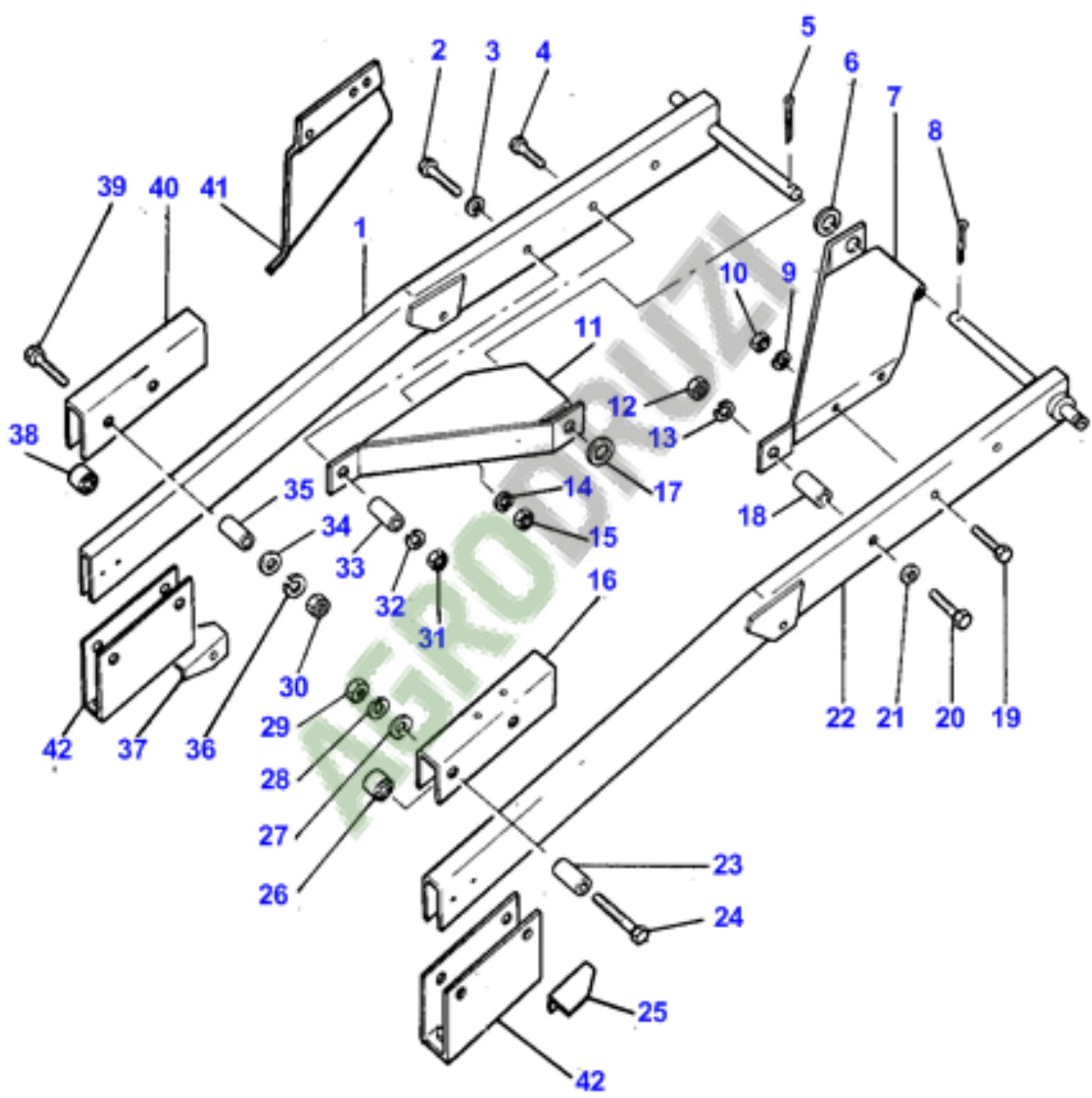


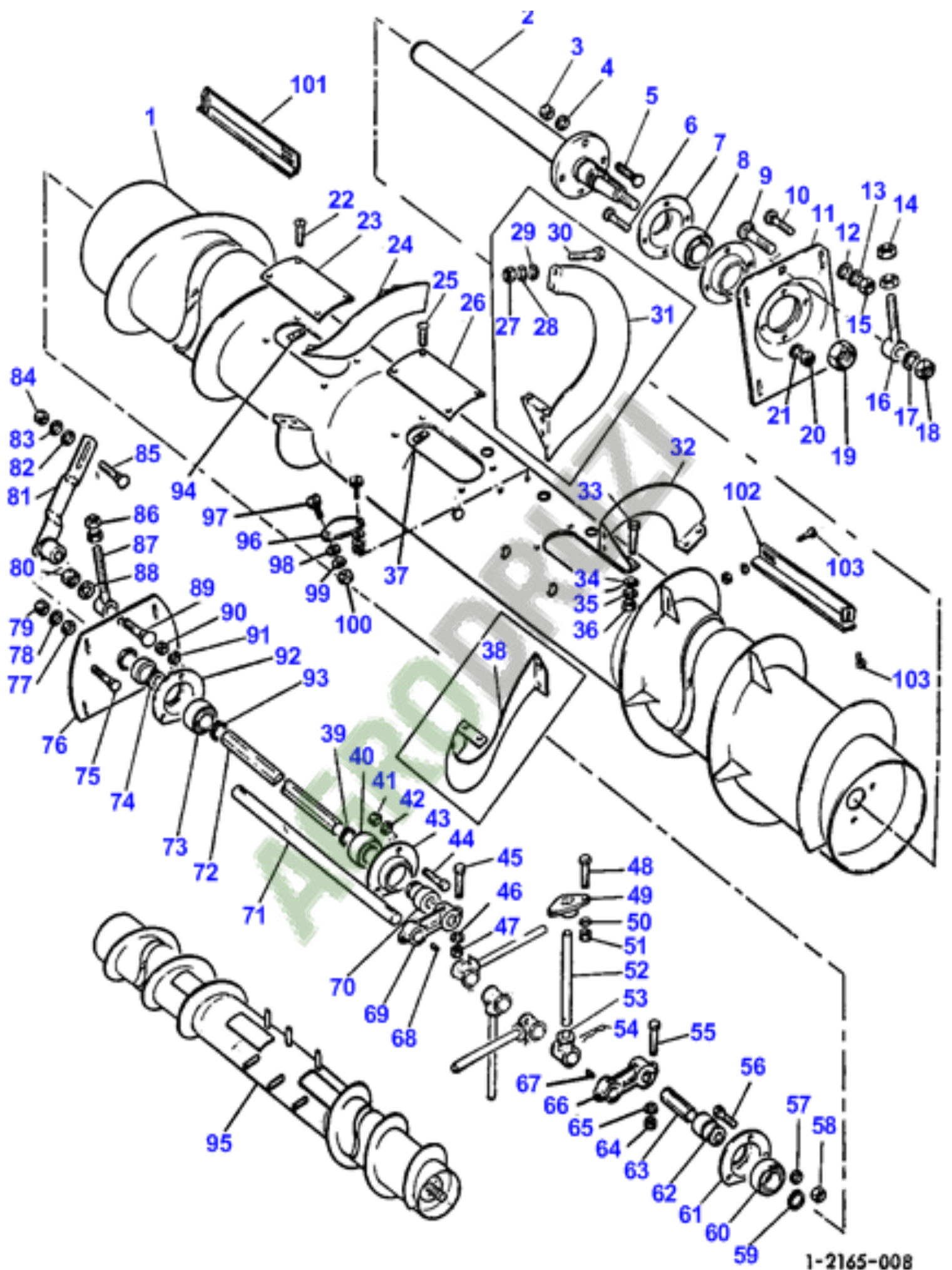




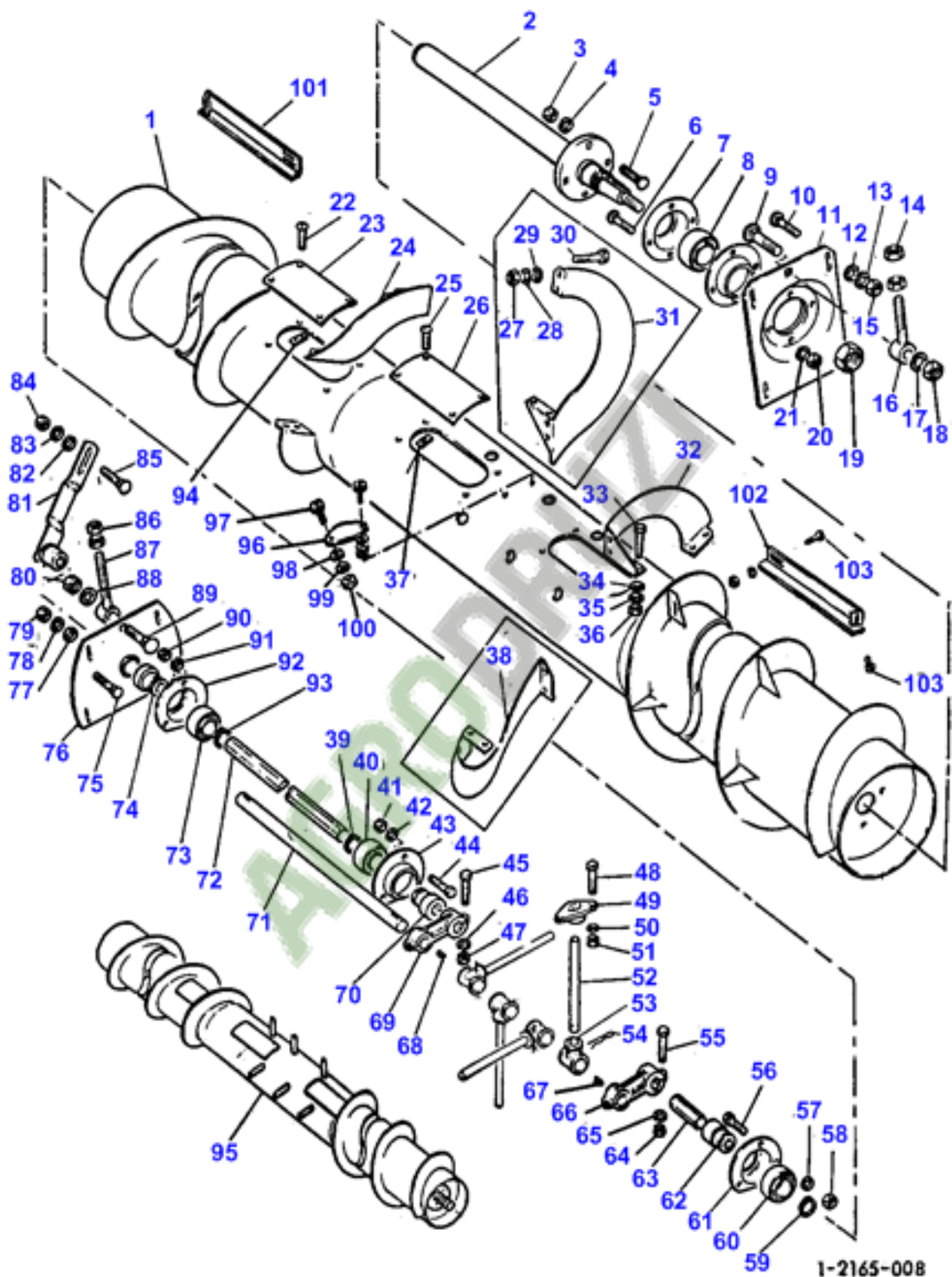




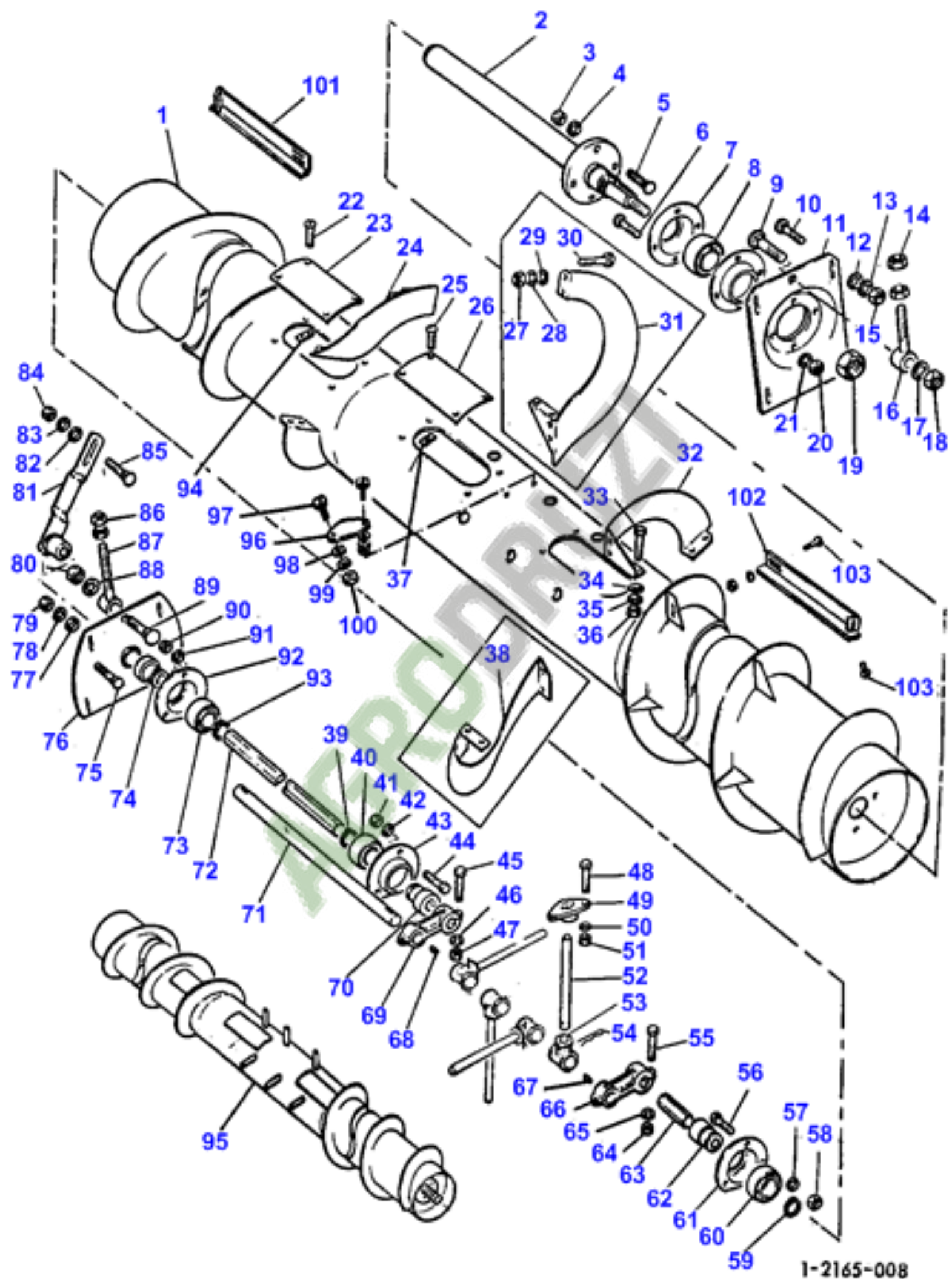




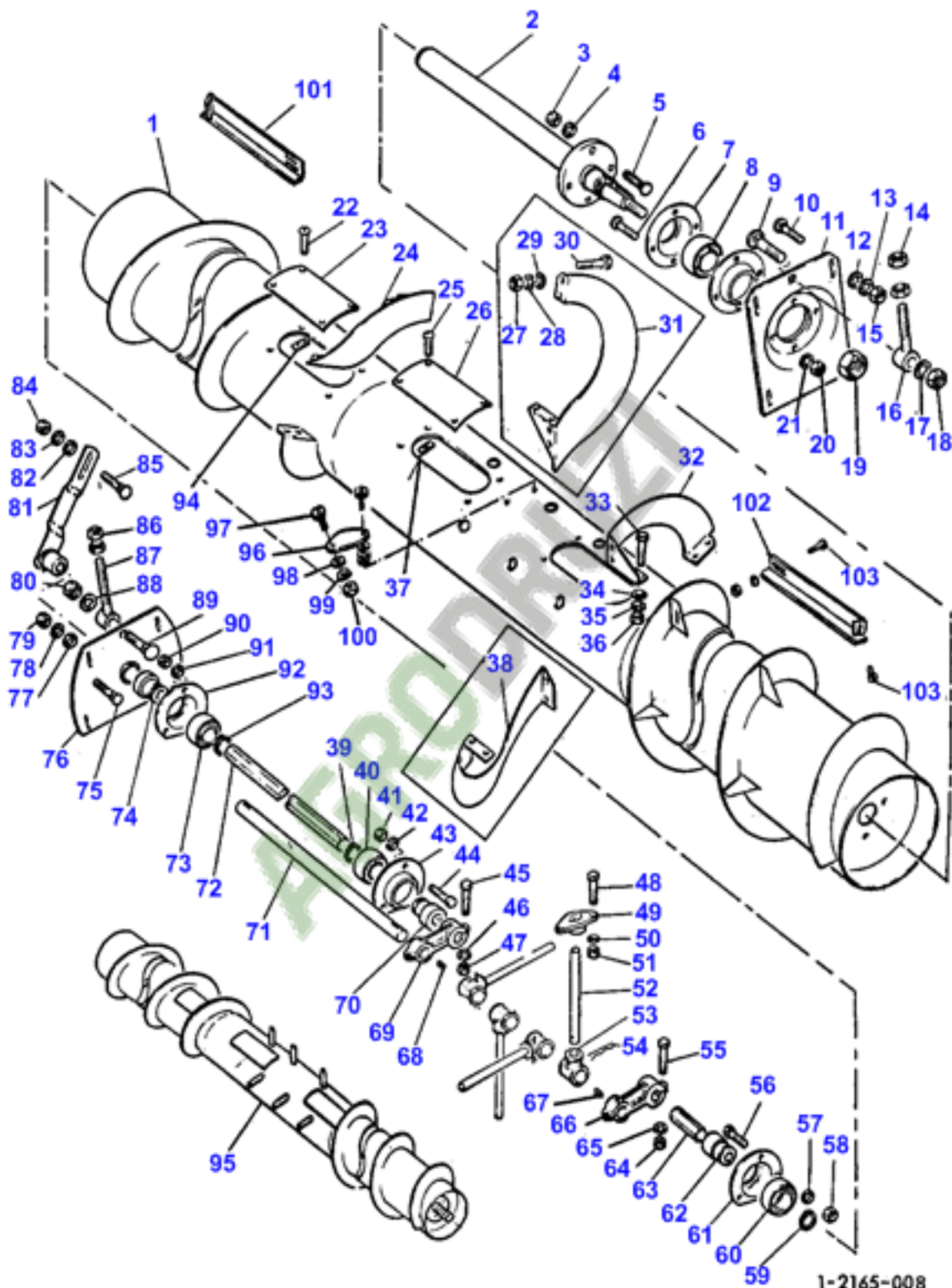
1-2165-008



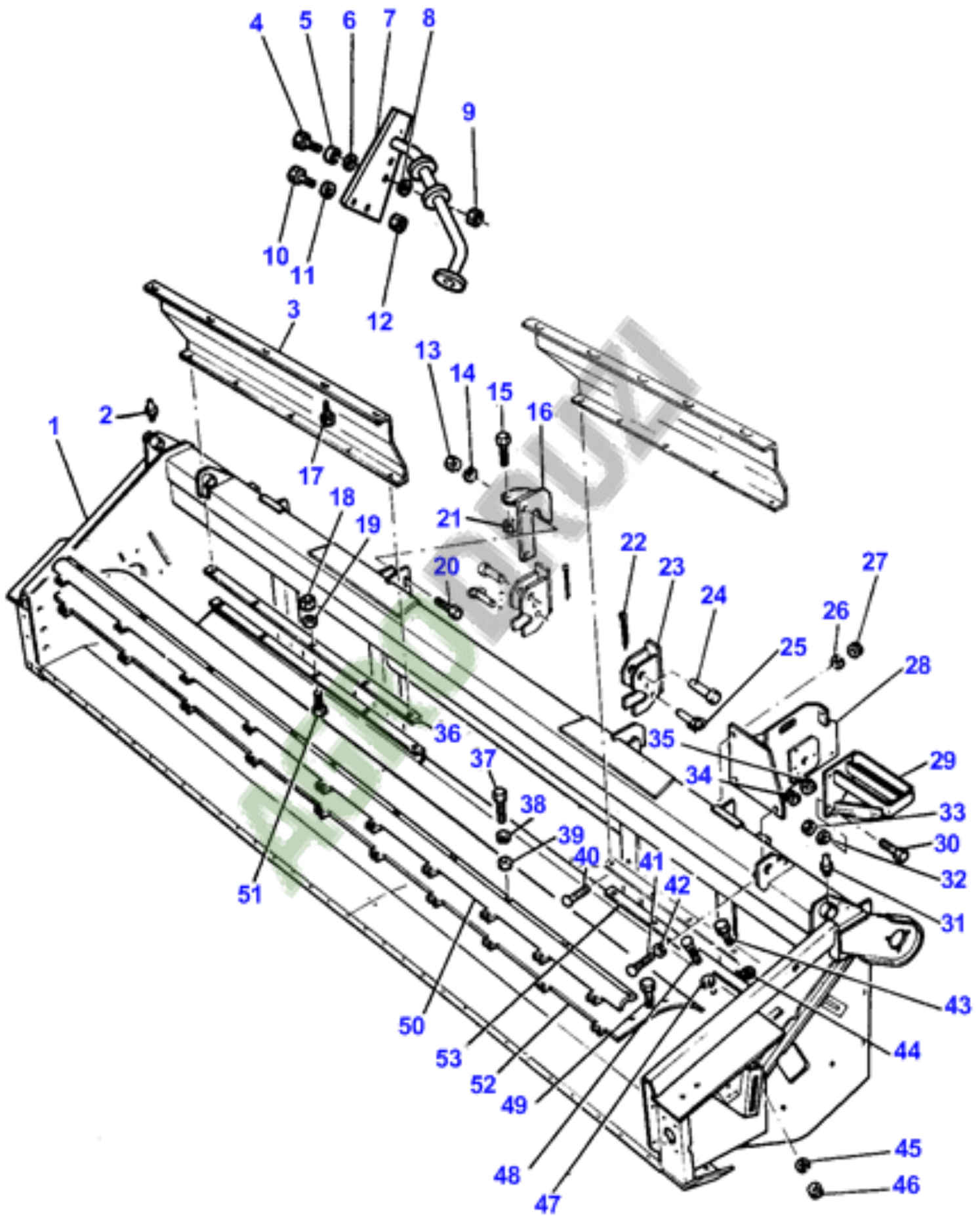
1-2165-008

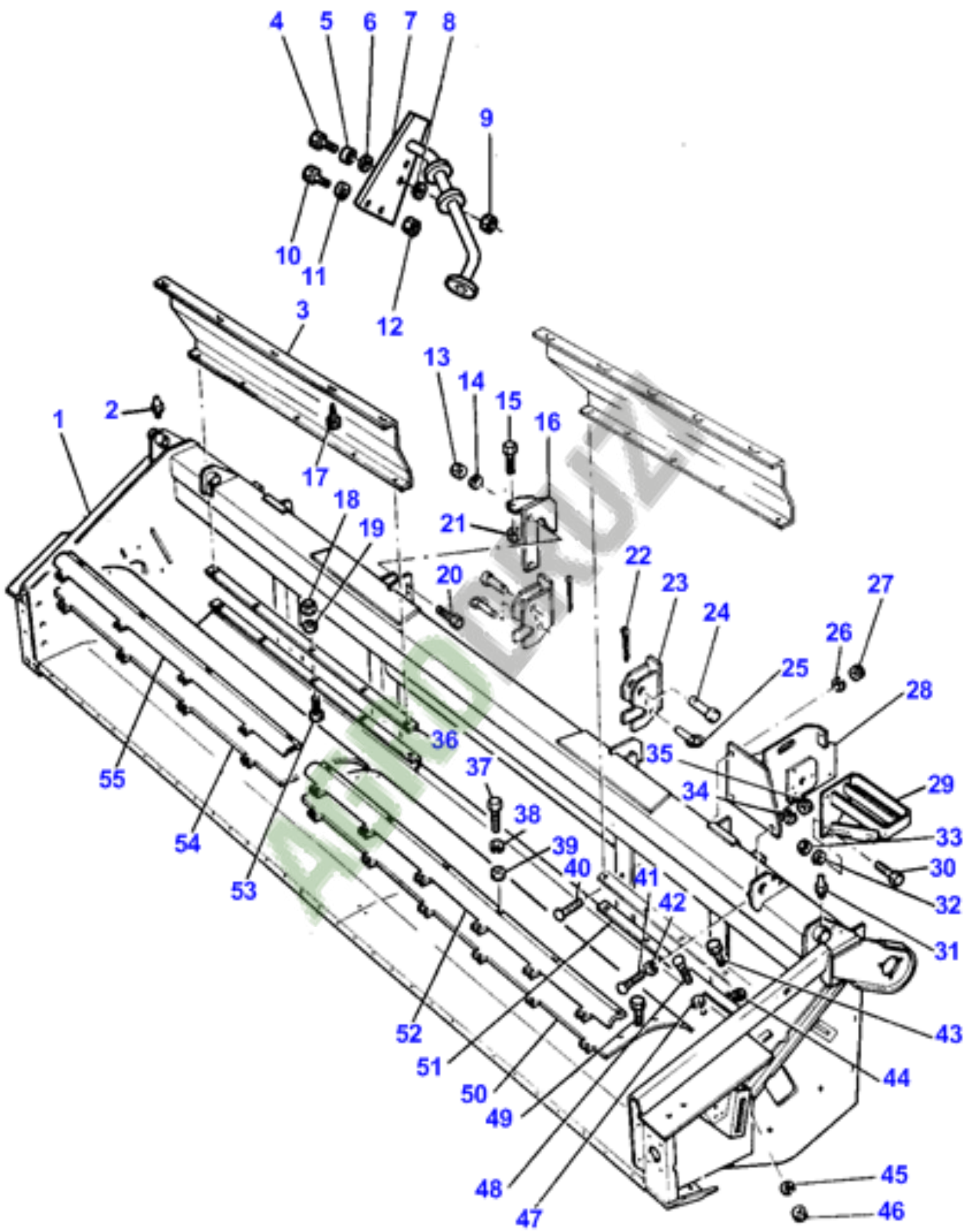


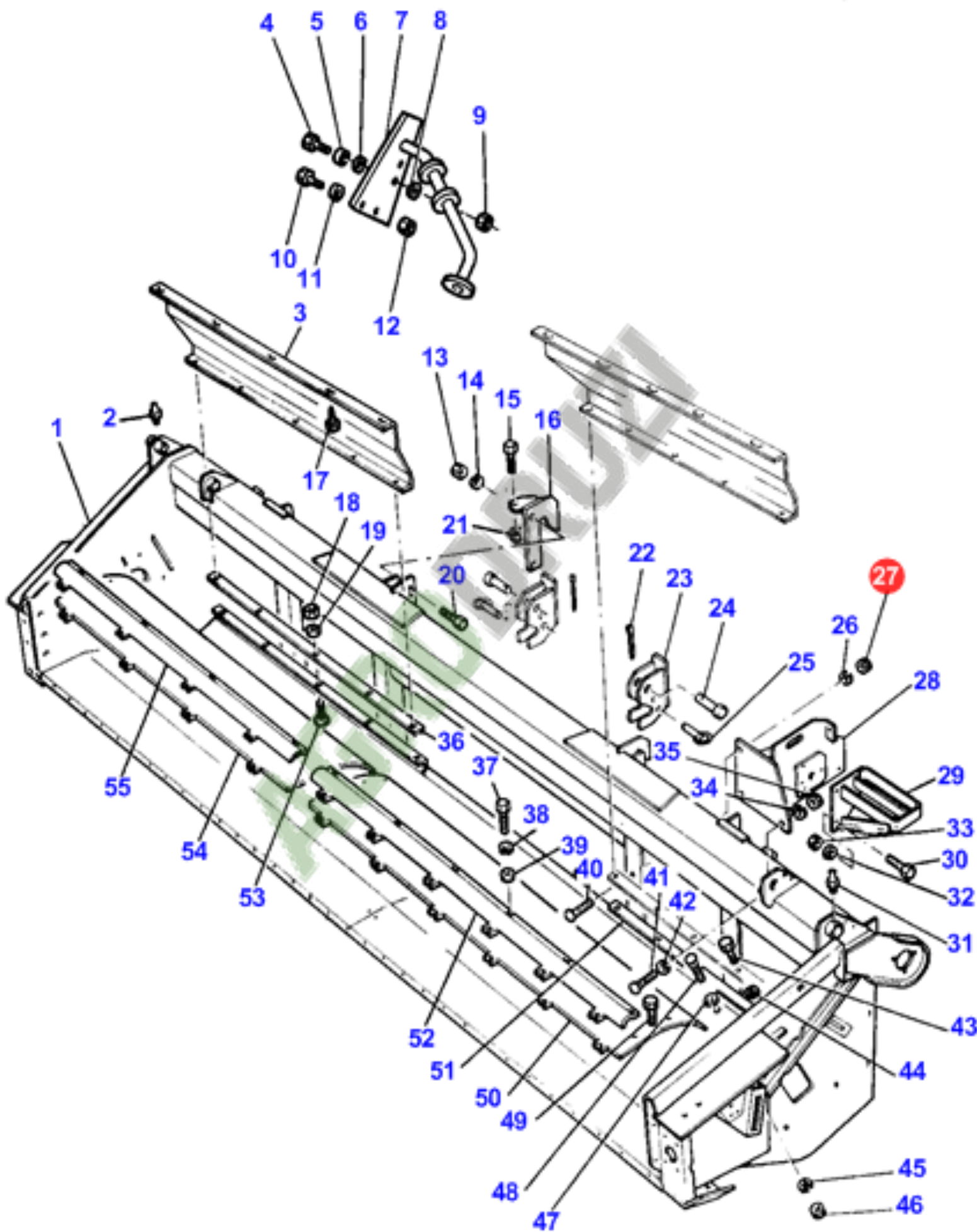
1-2165-008

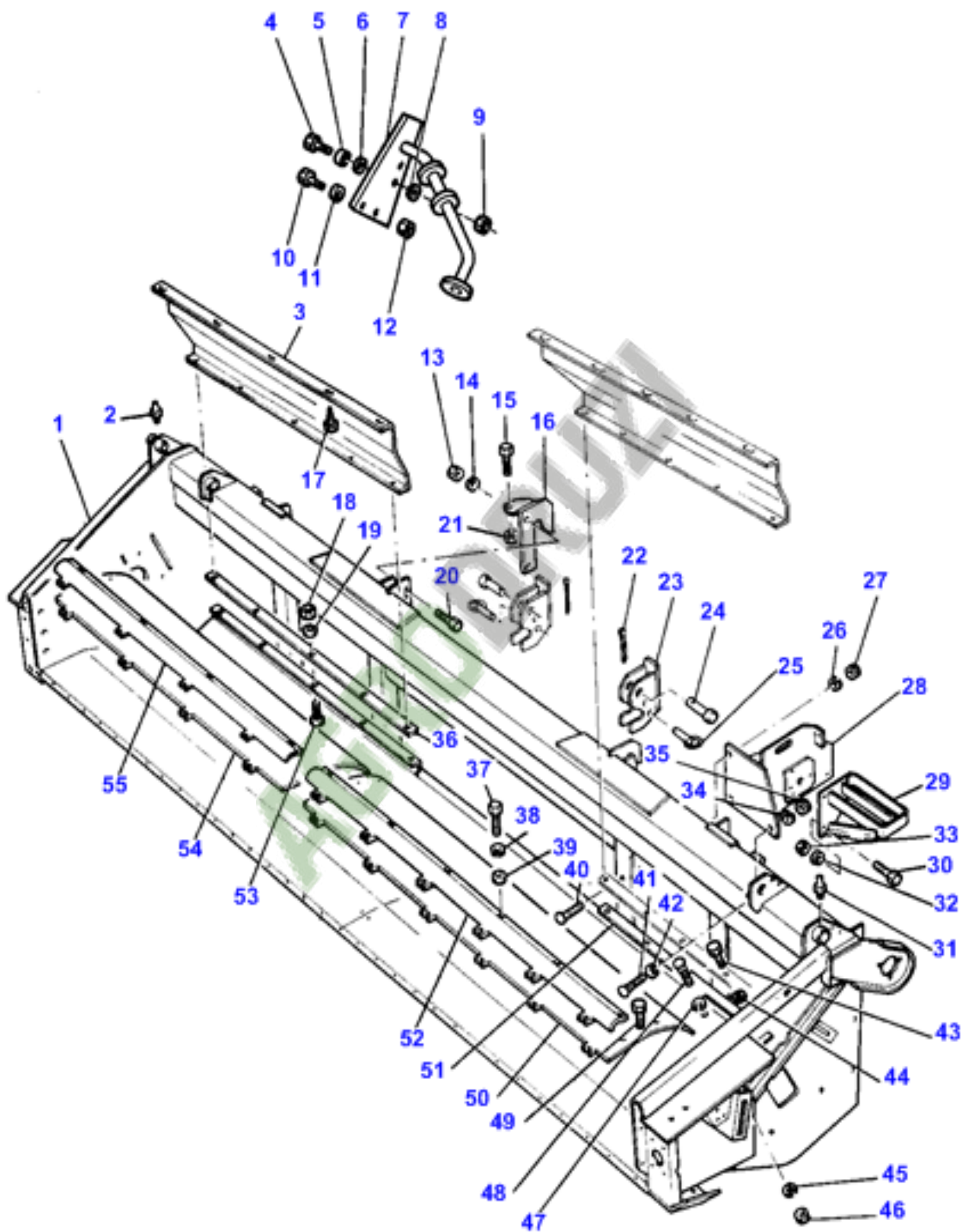


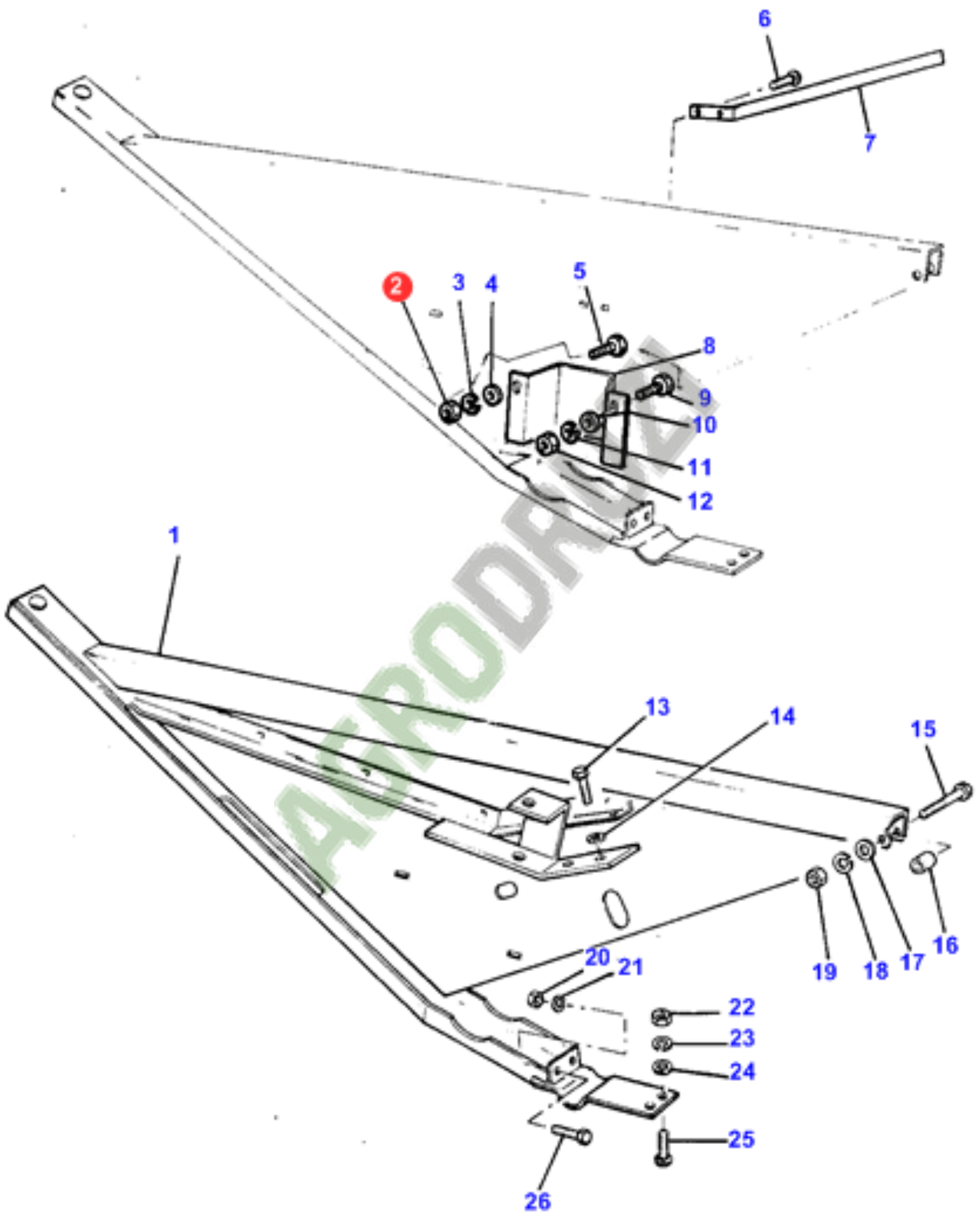
1-2165-008

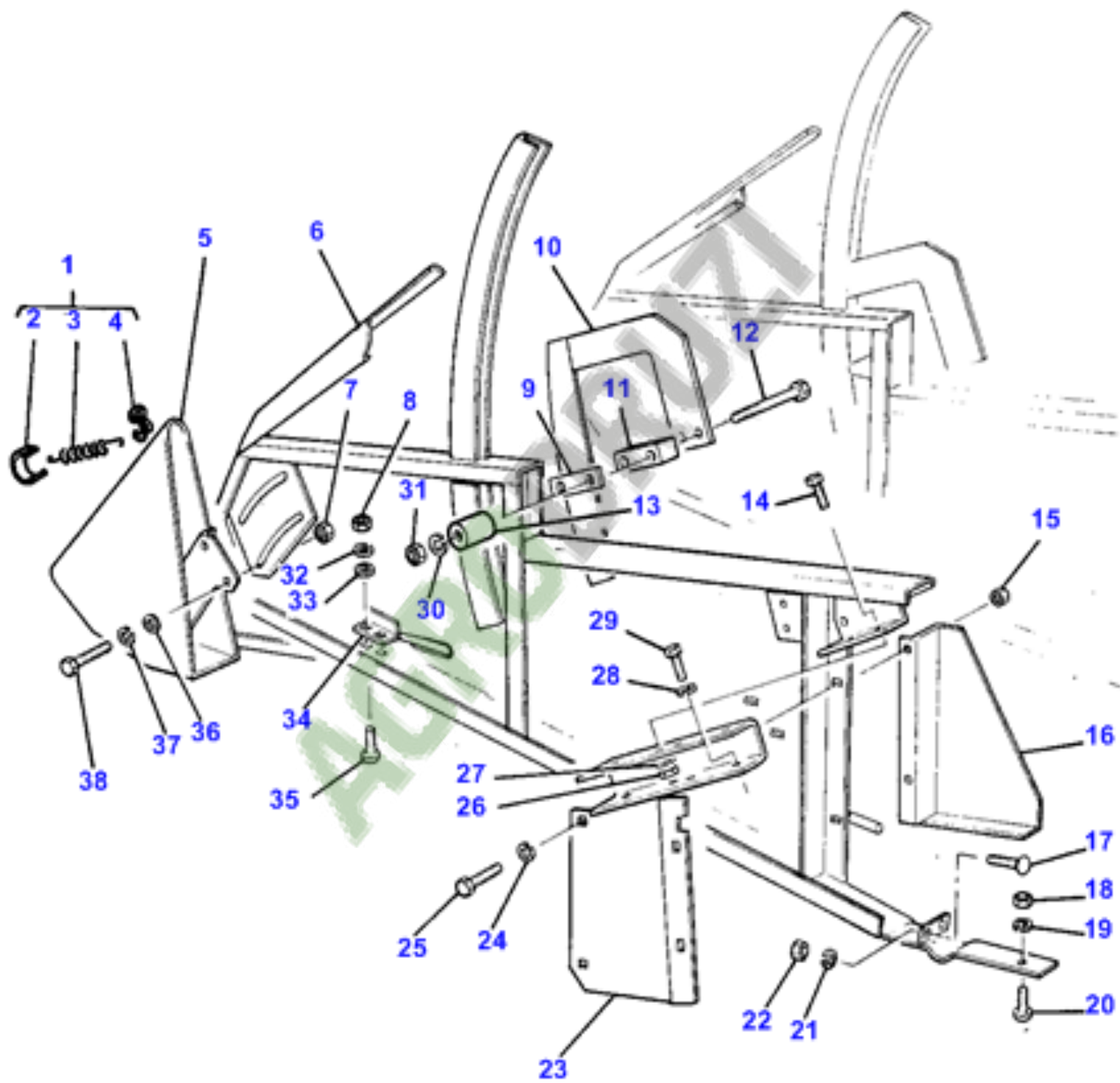


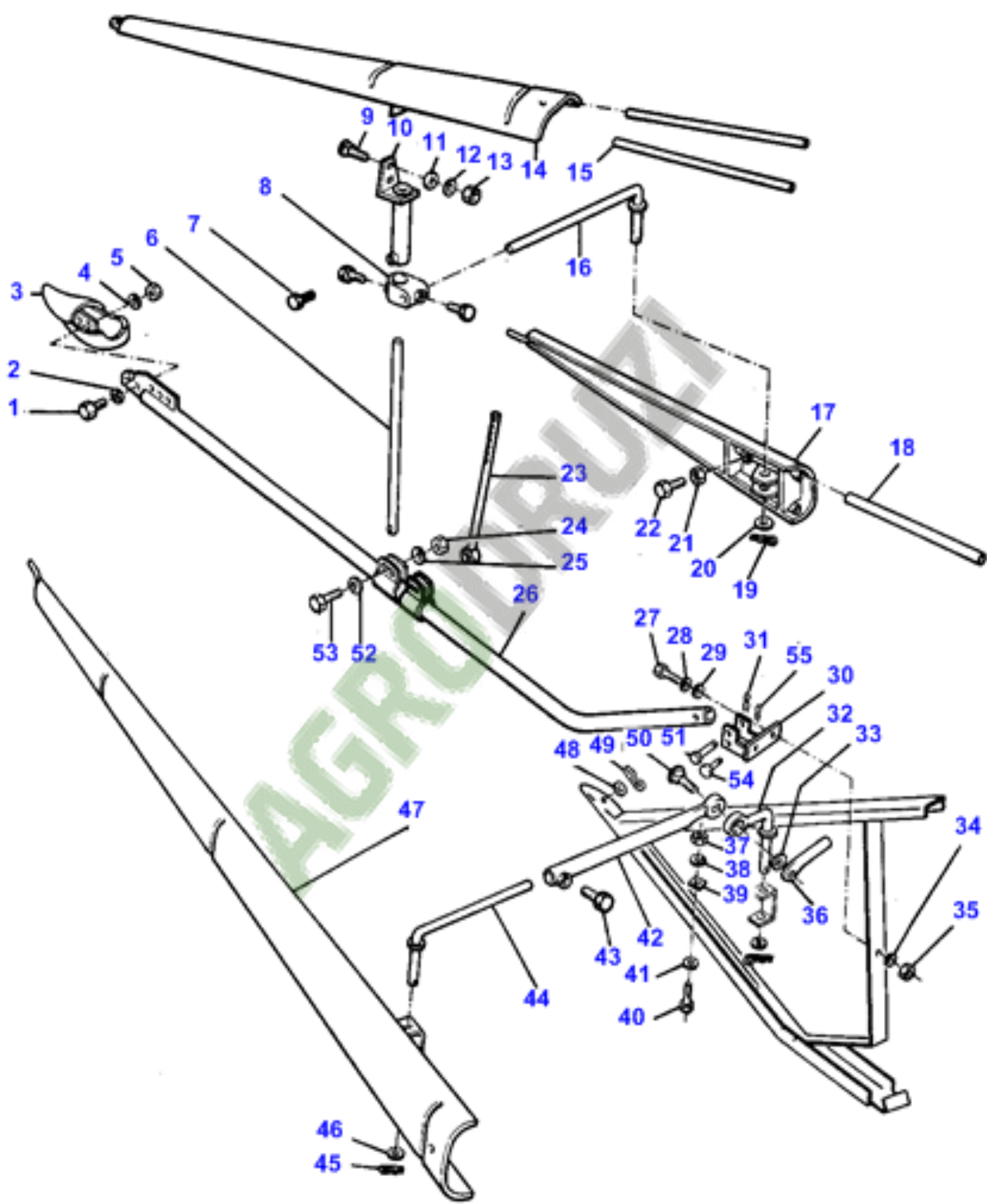


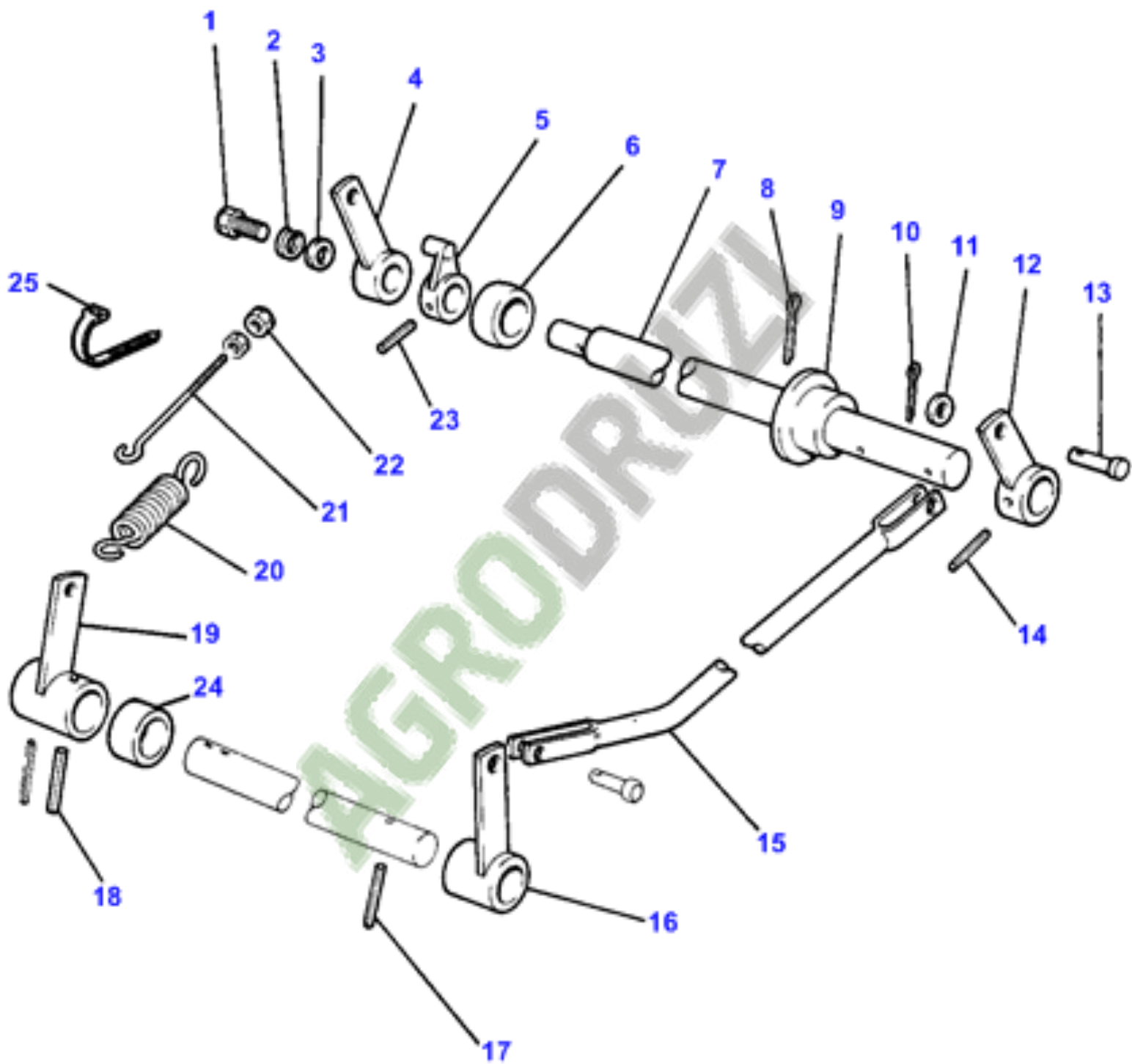


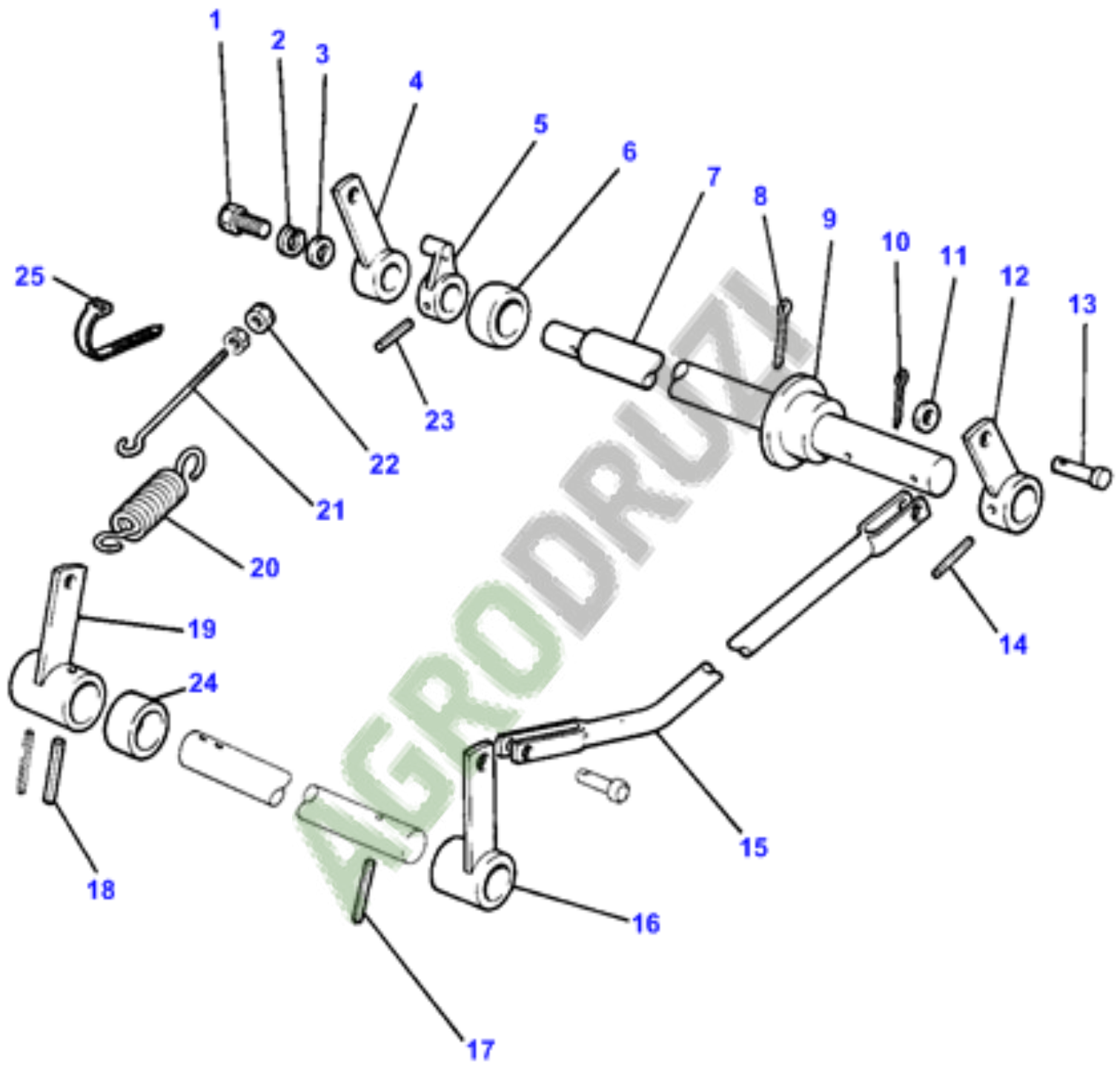


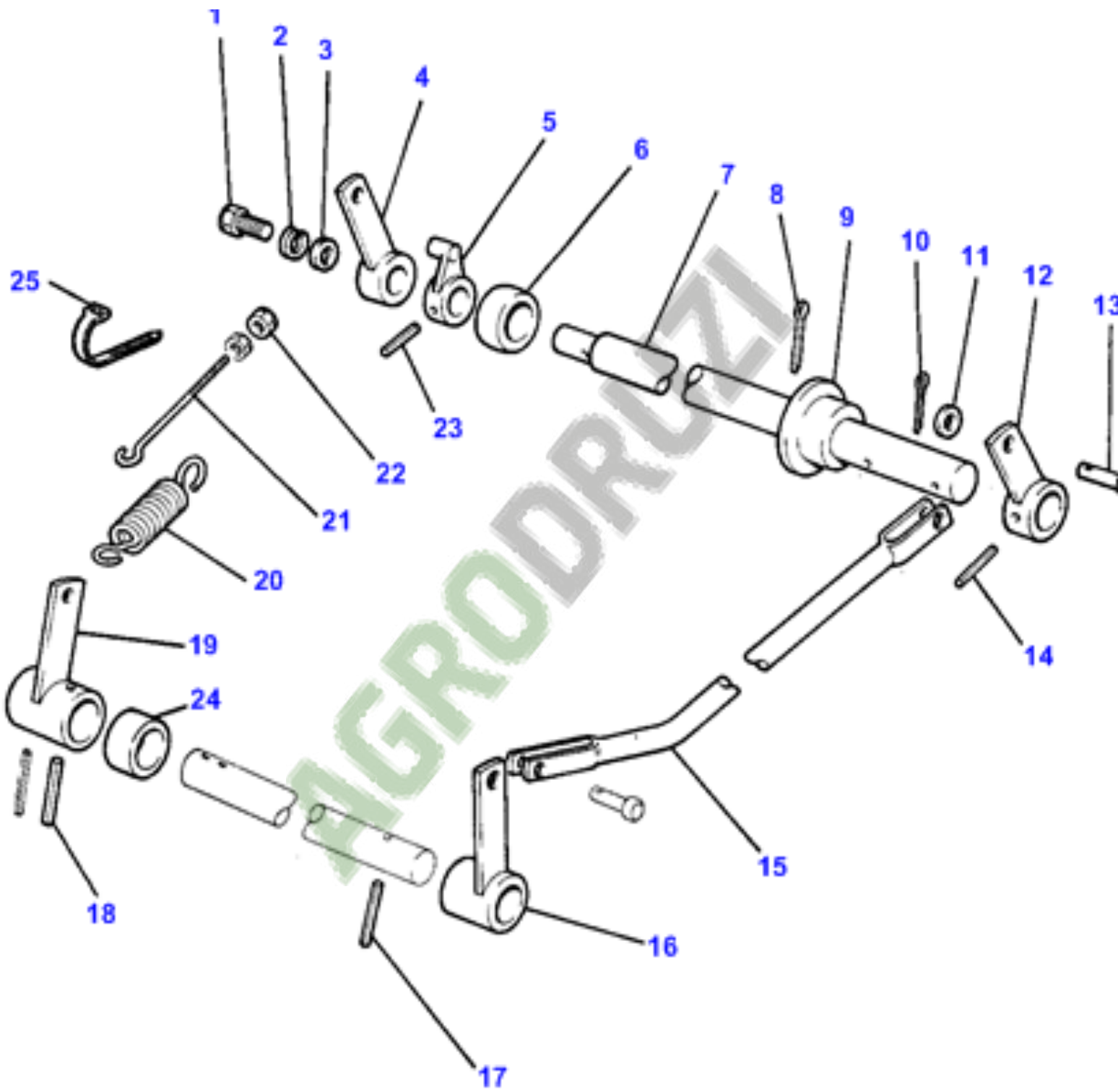


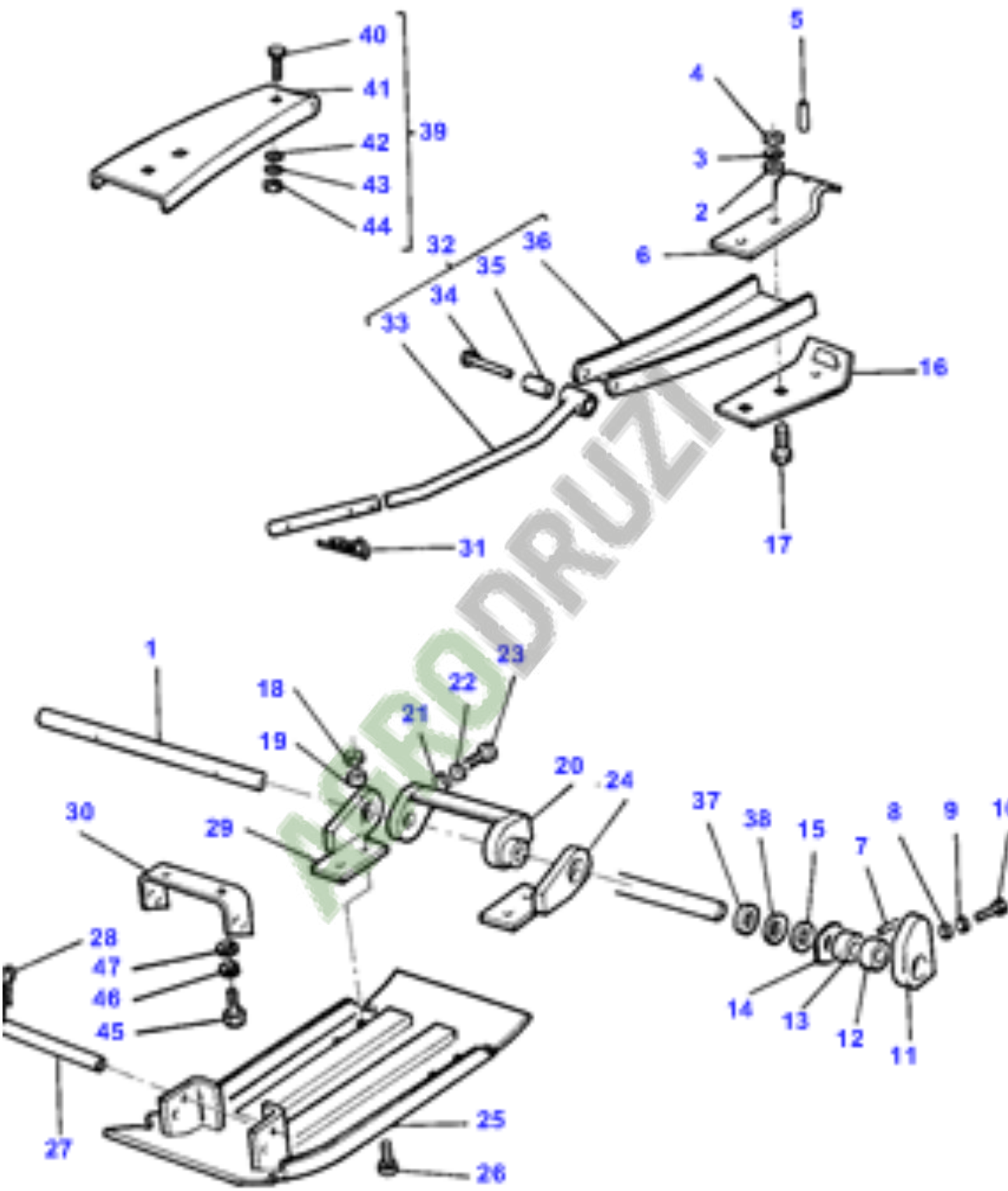


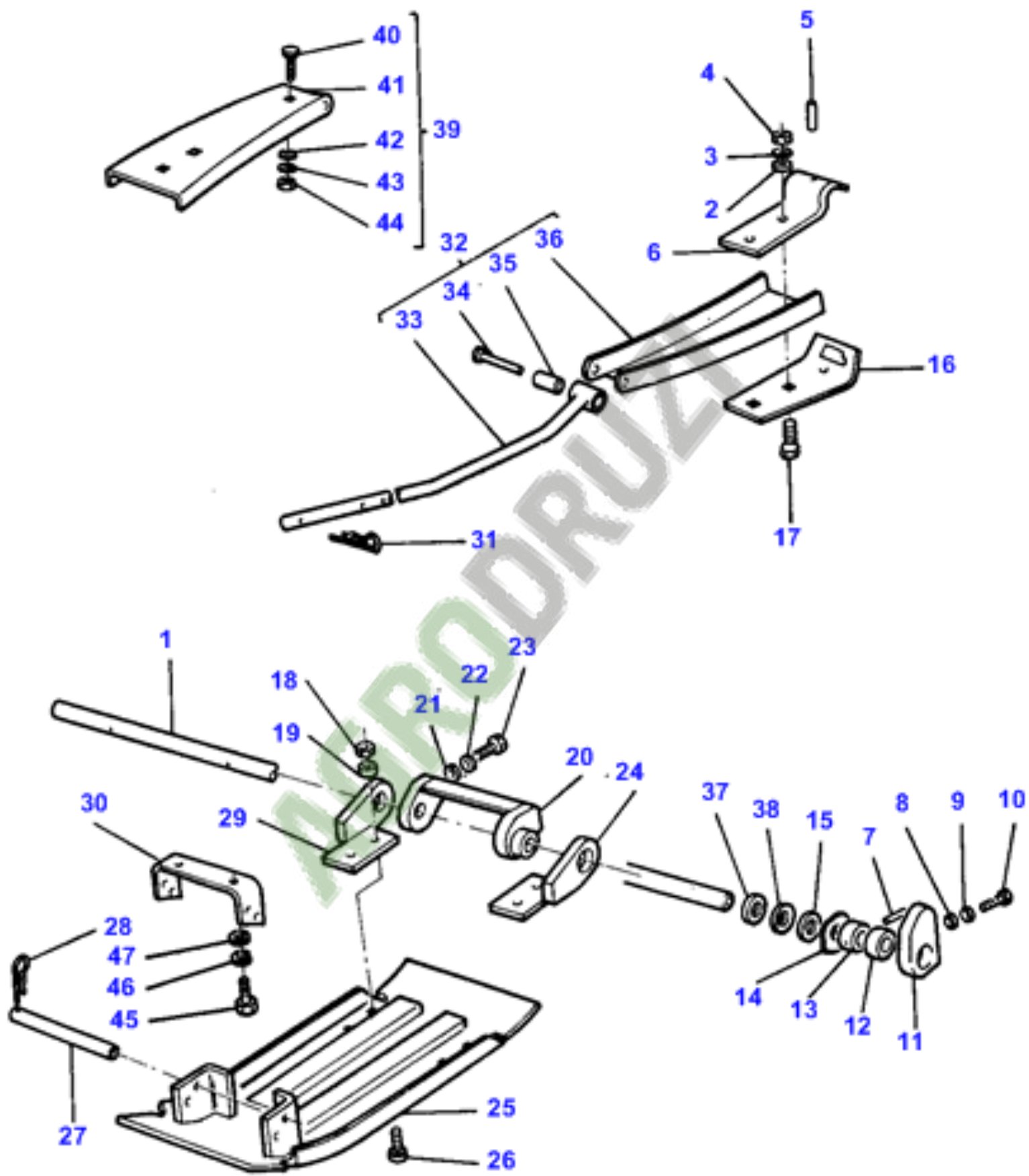


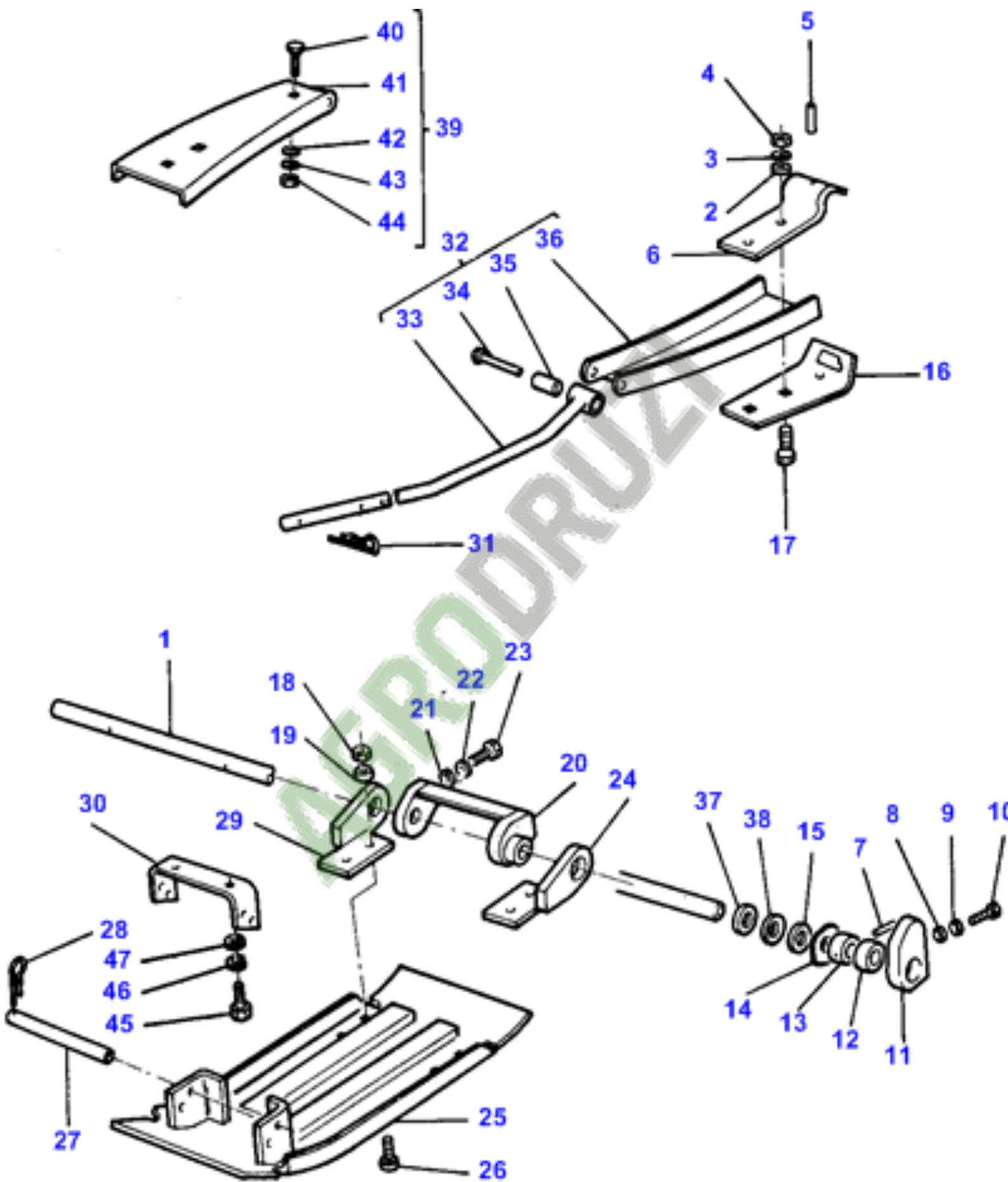


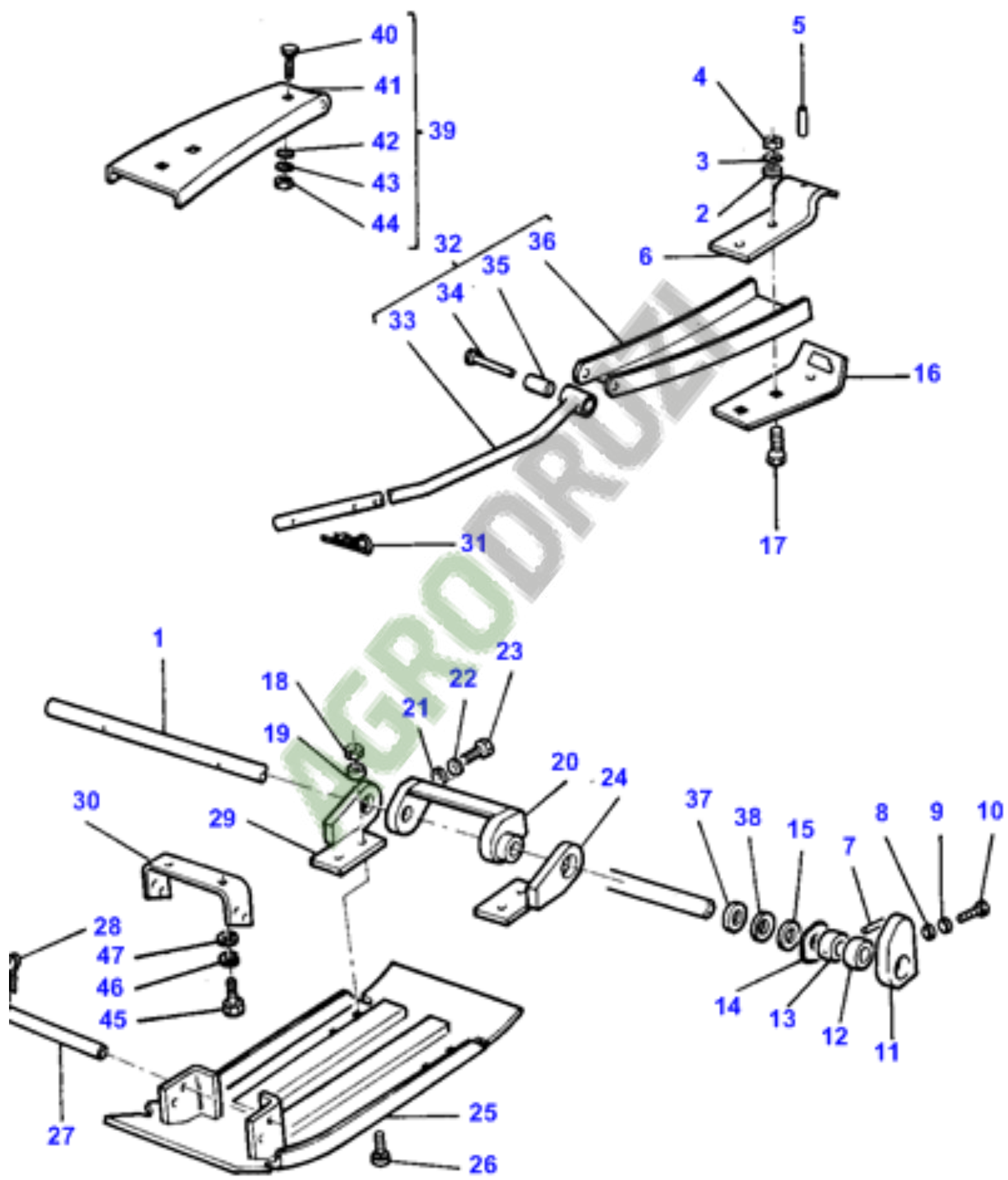


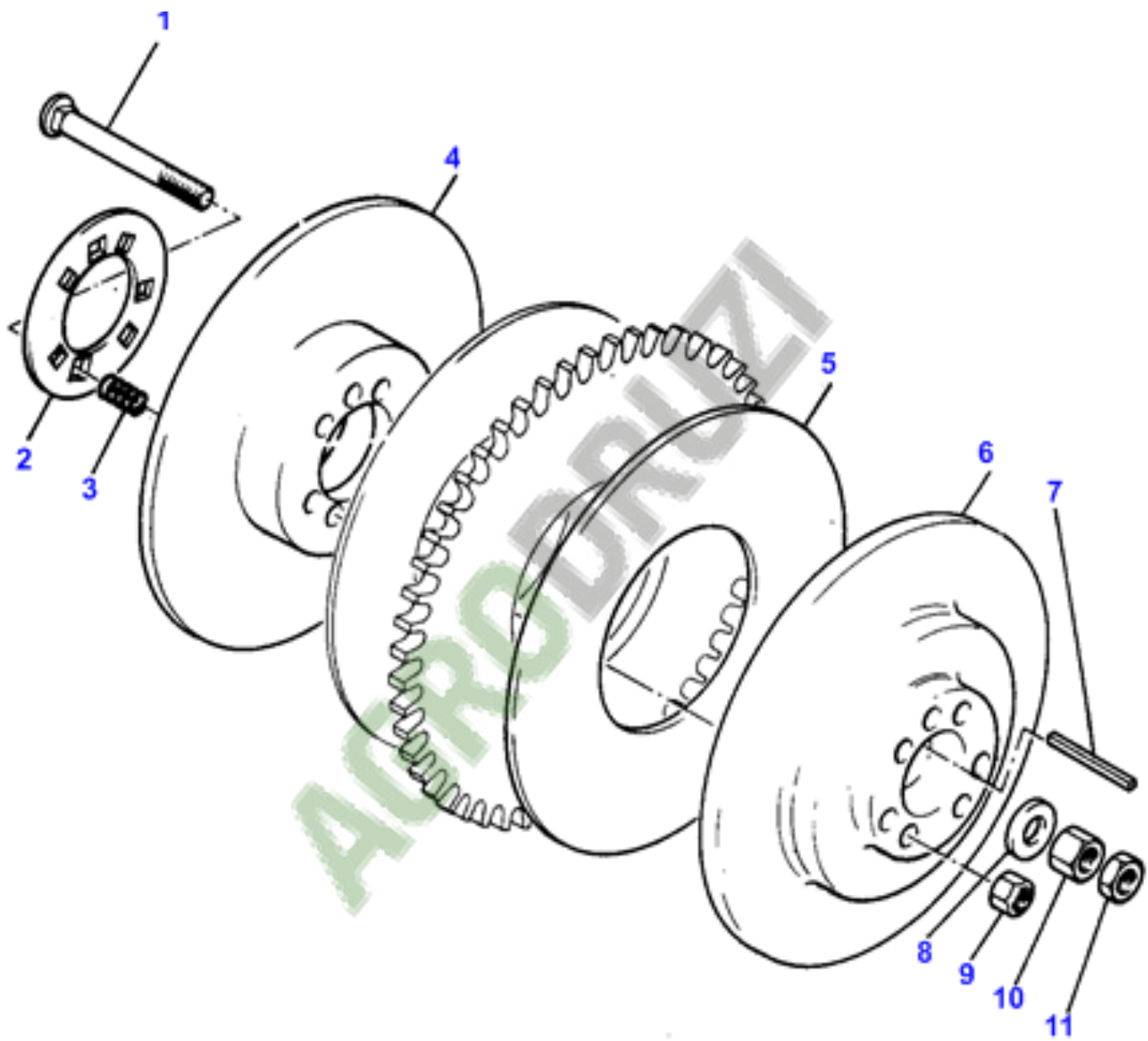


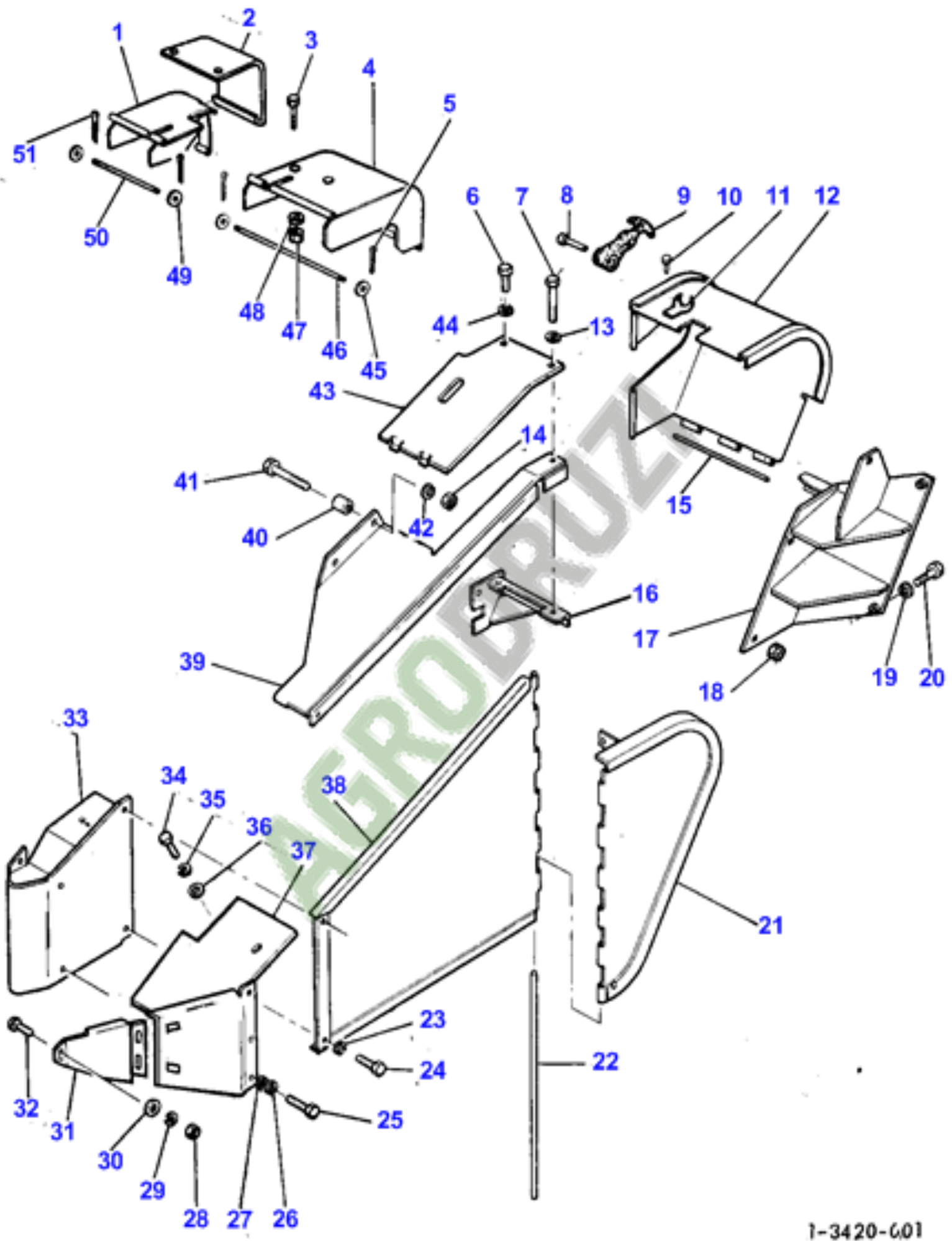




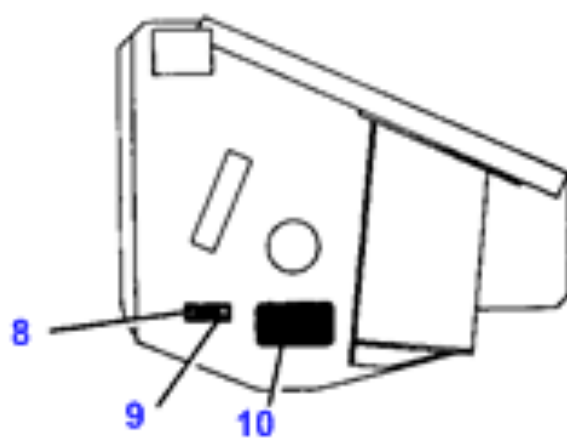
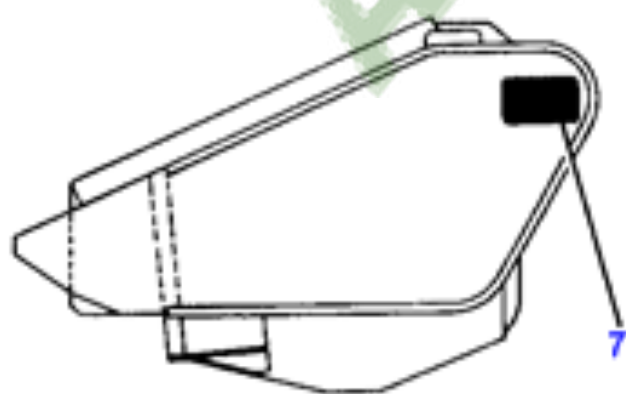
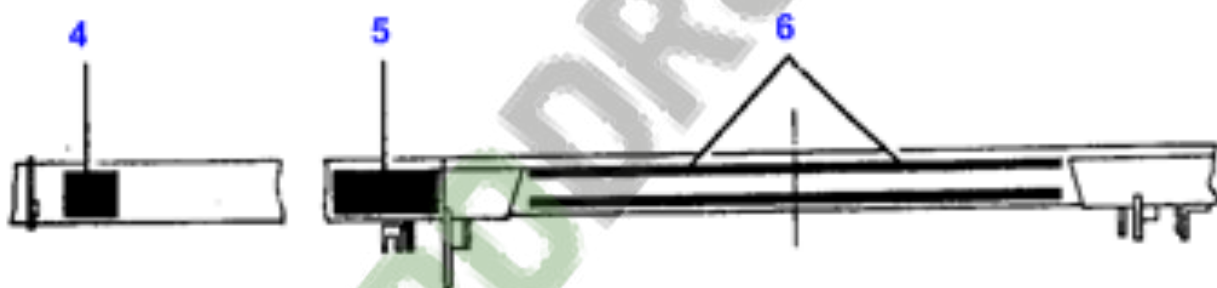
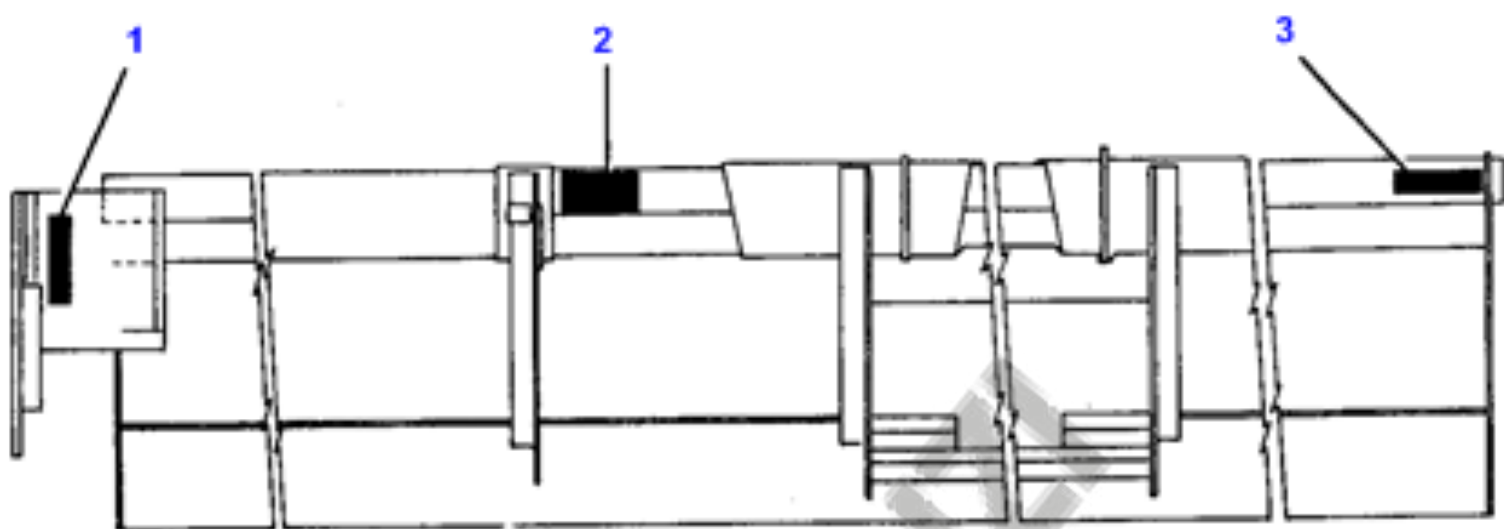


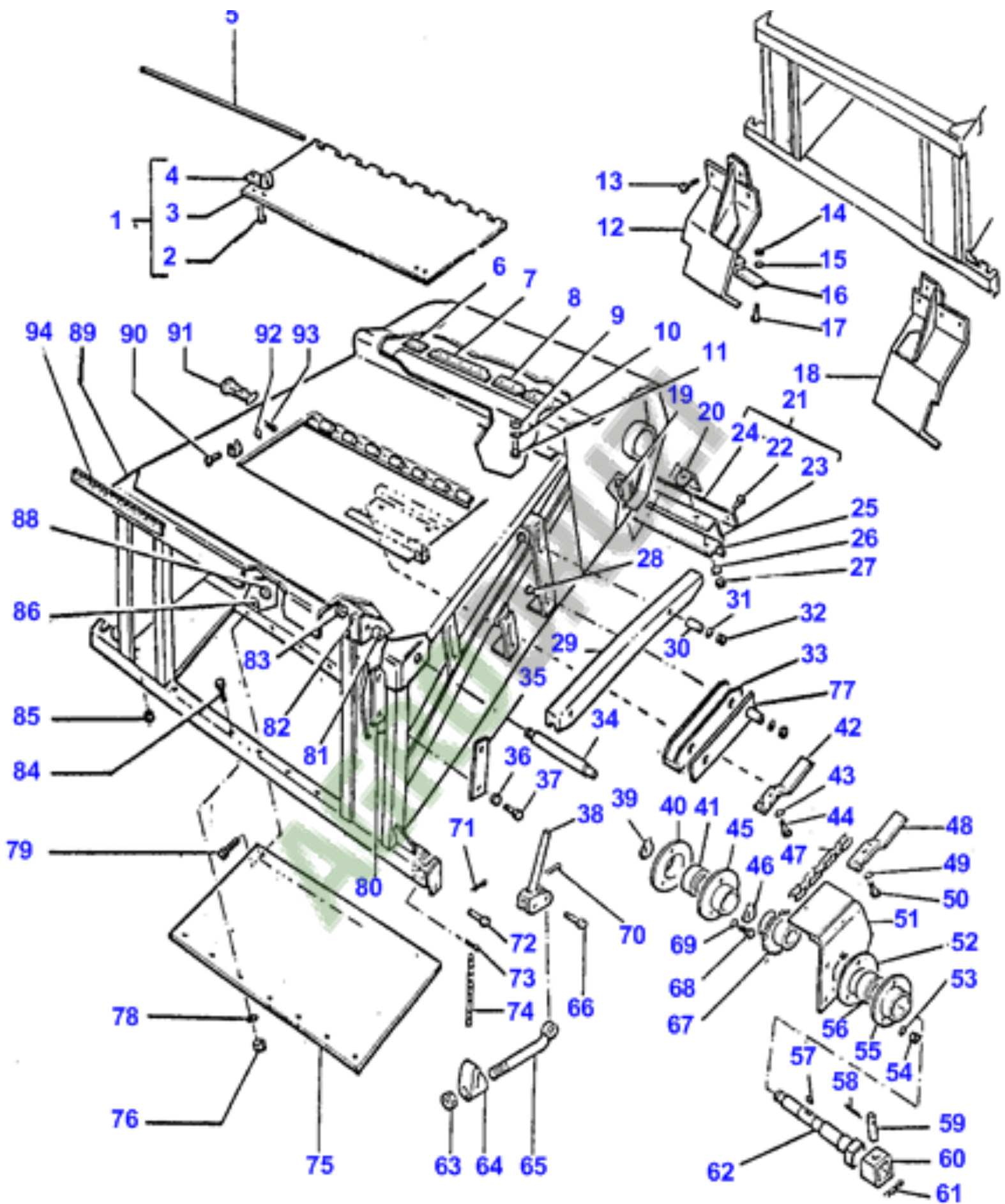


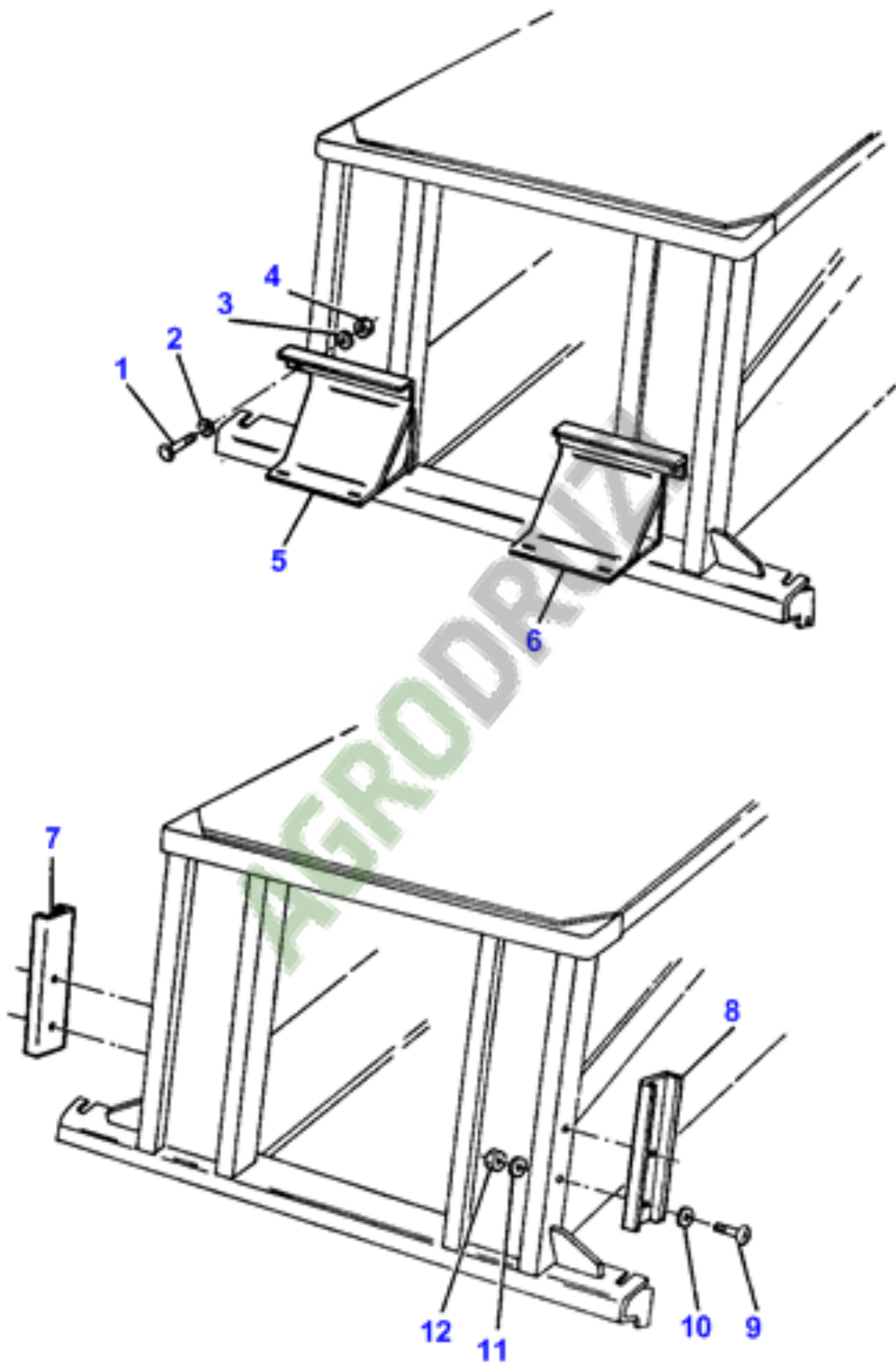


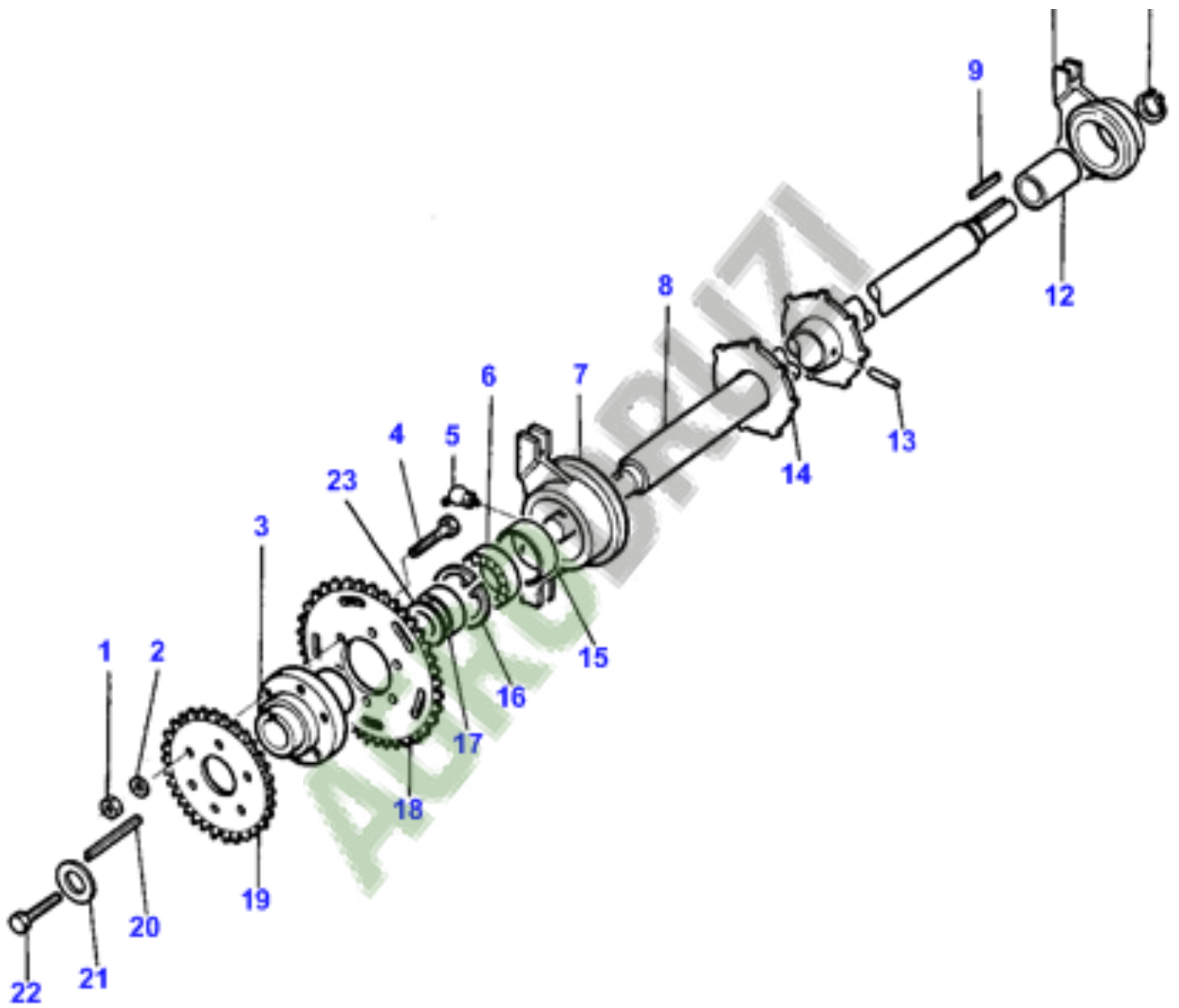


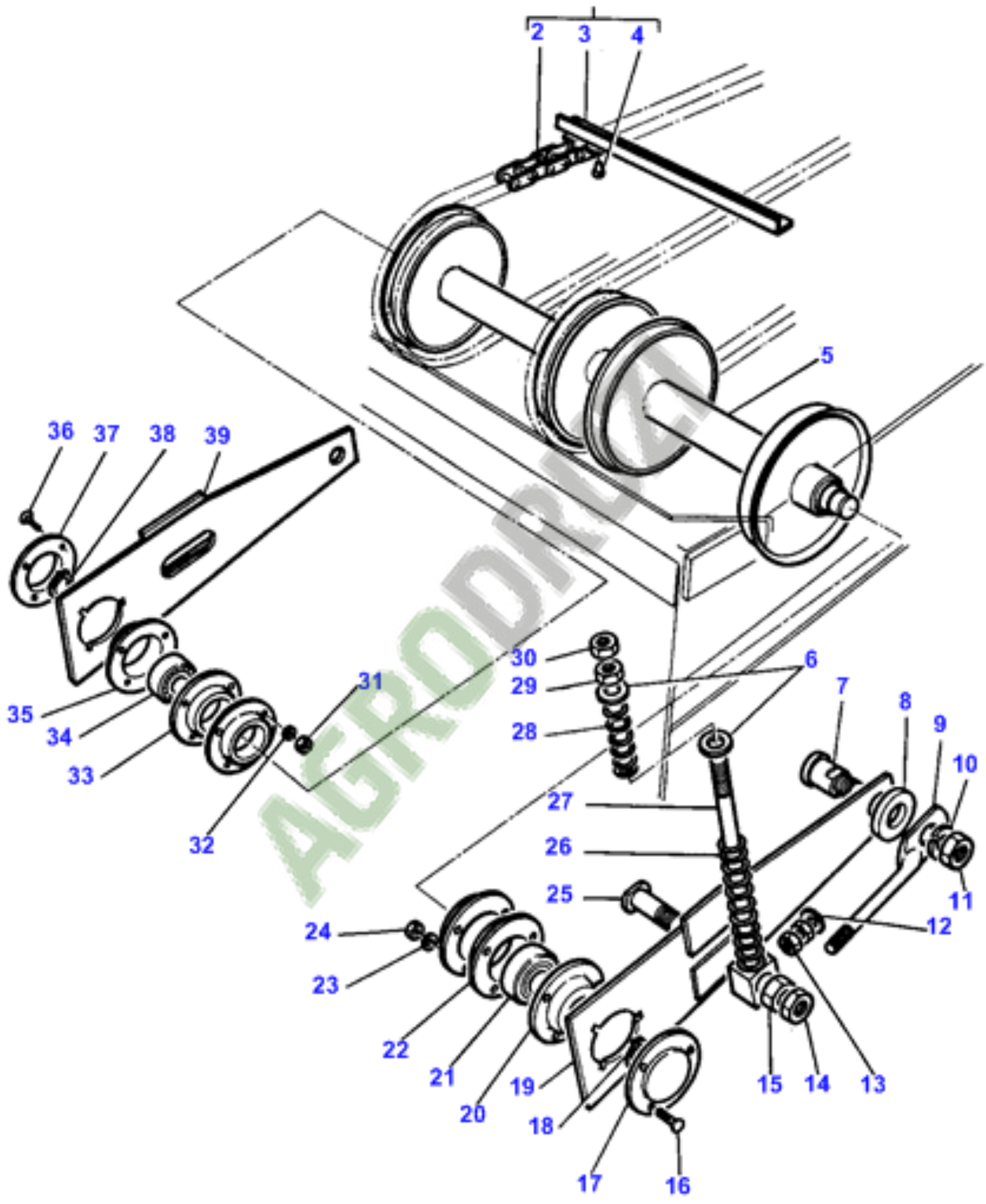
1-3420-601

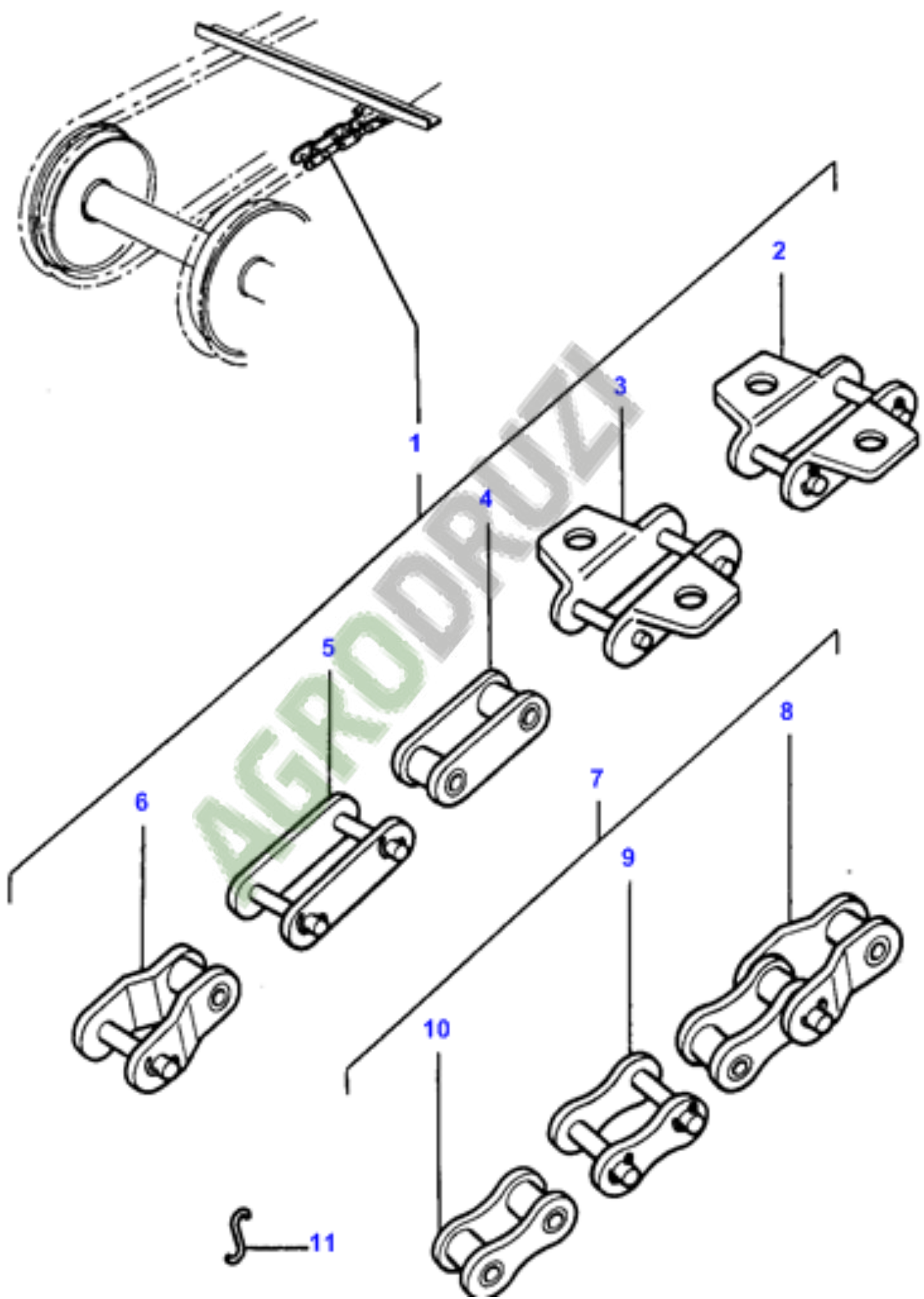


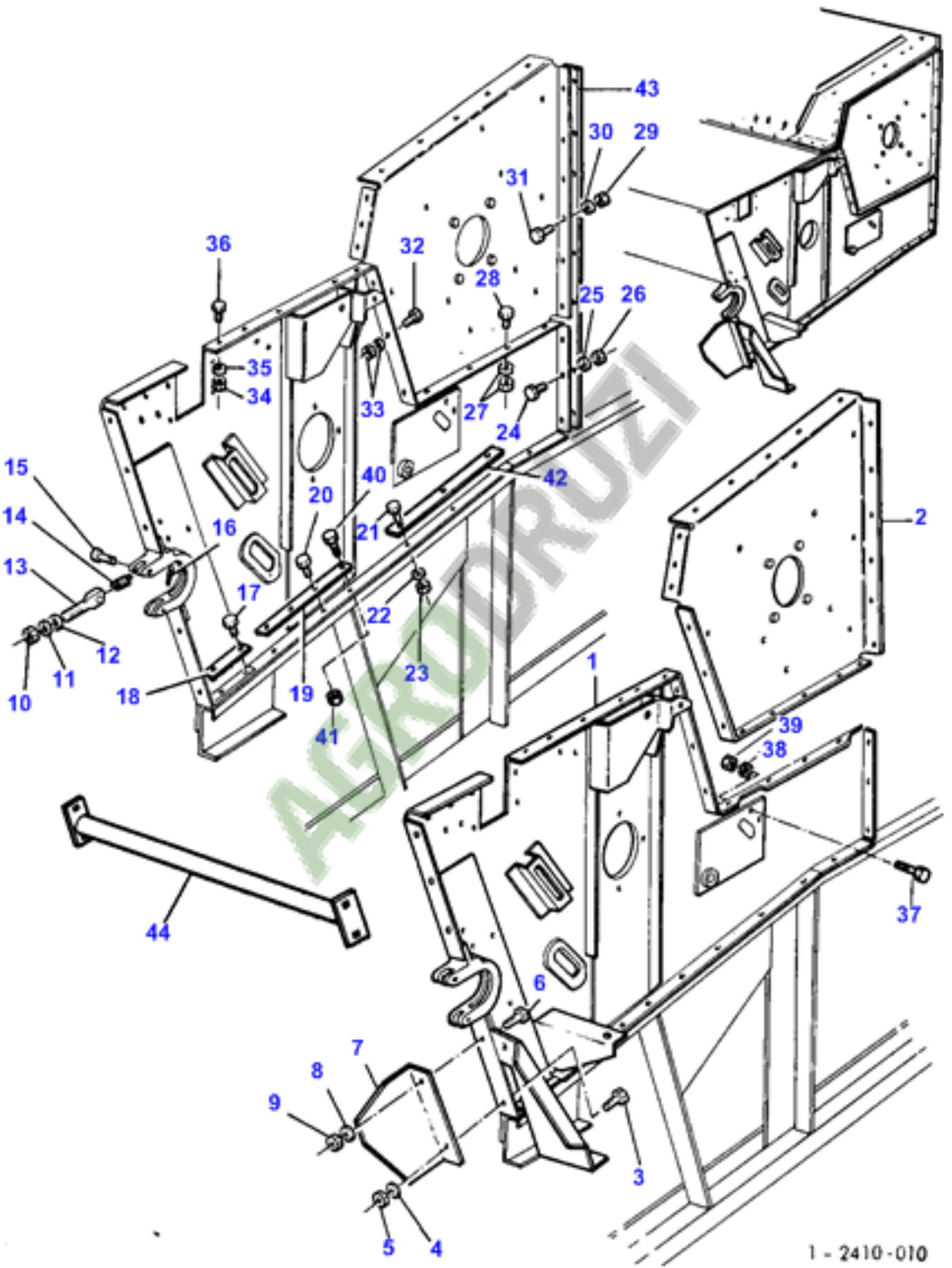




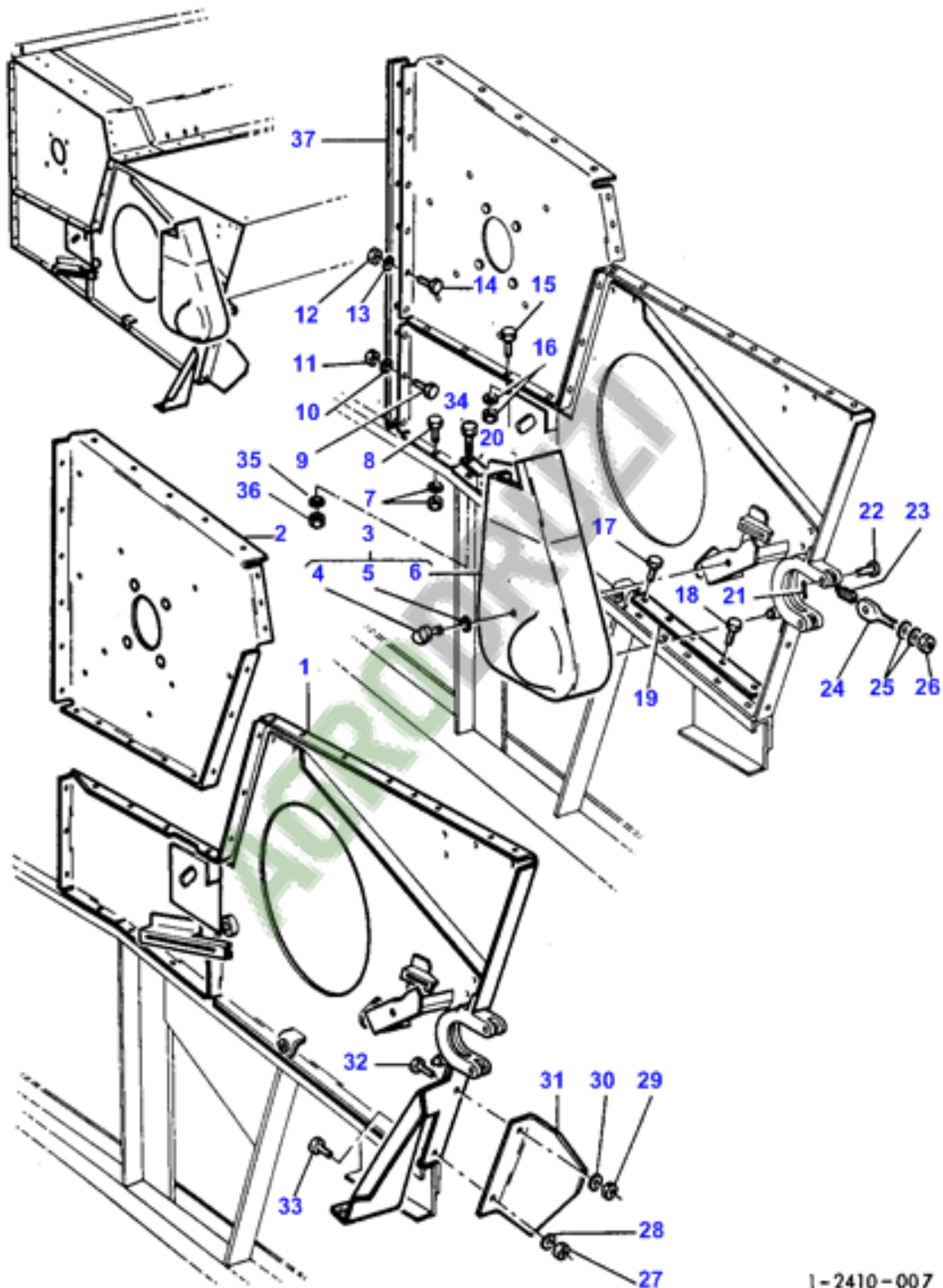




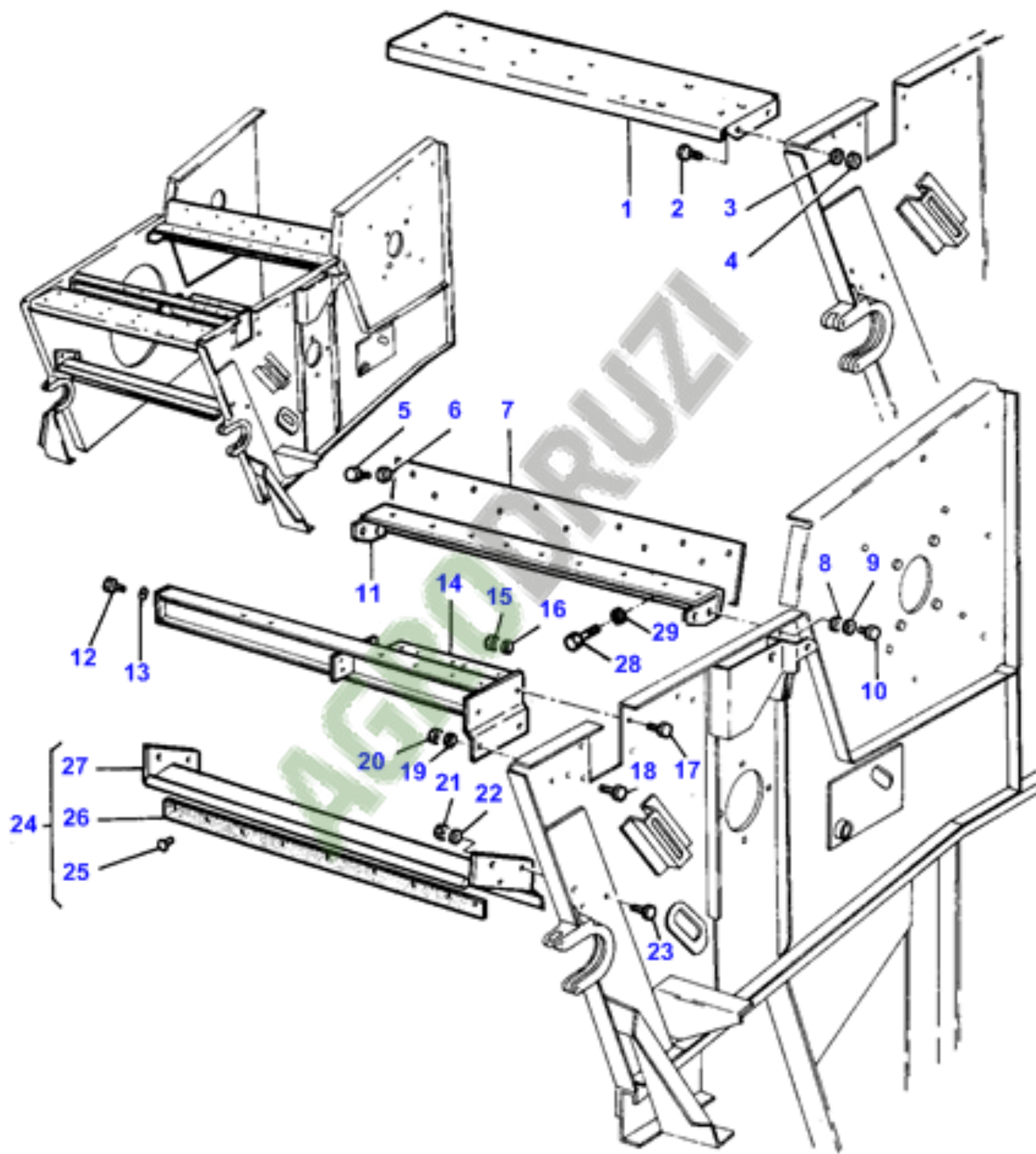


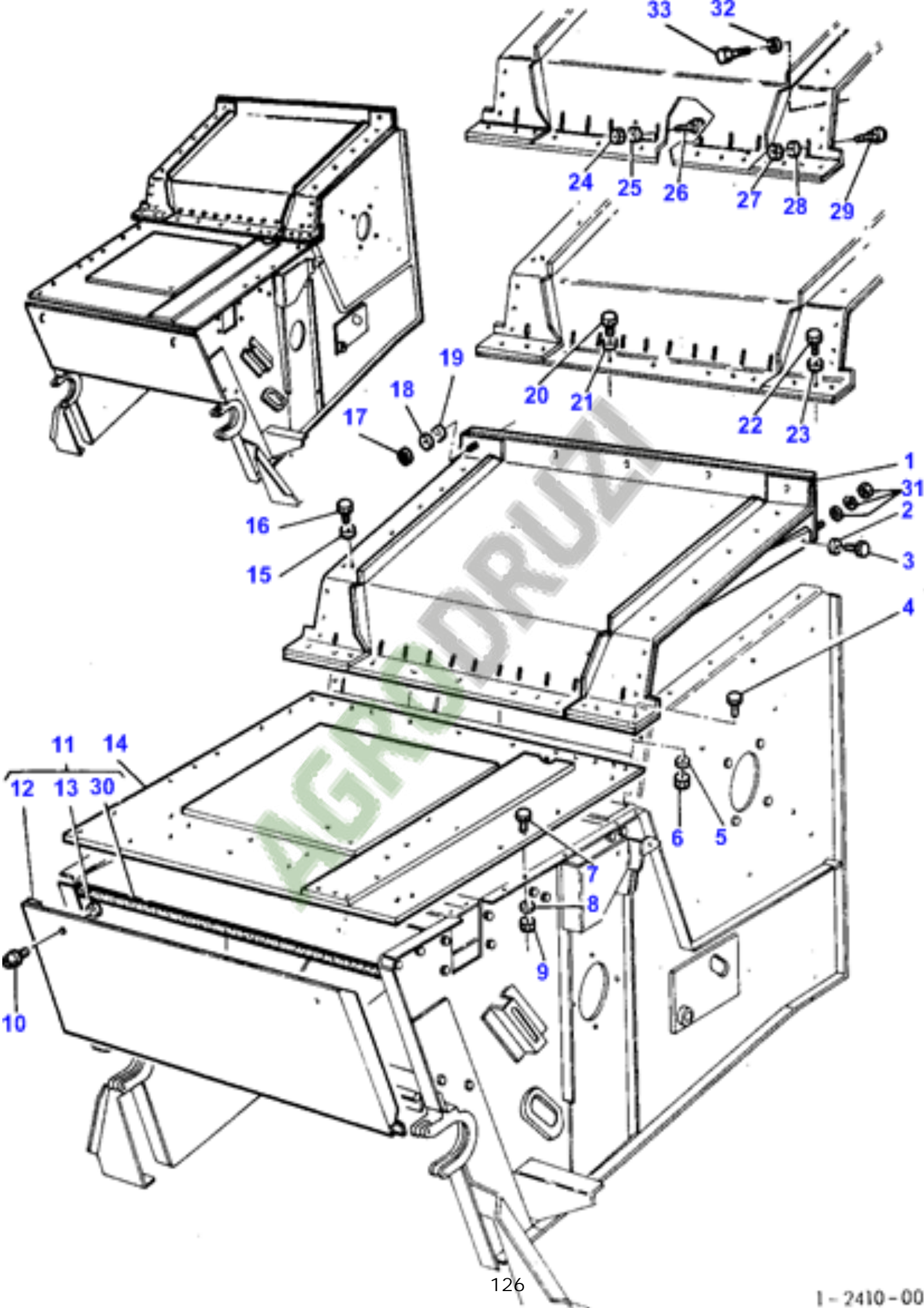


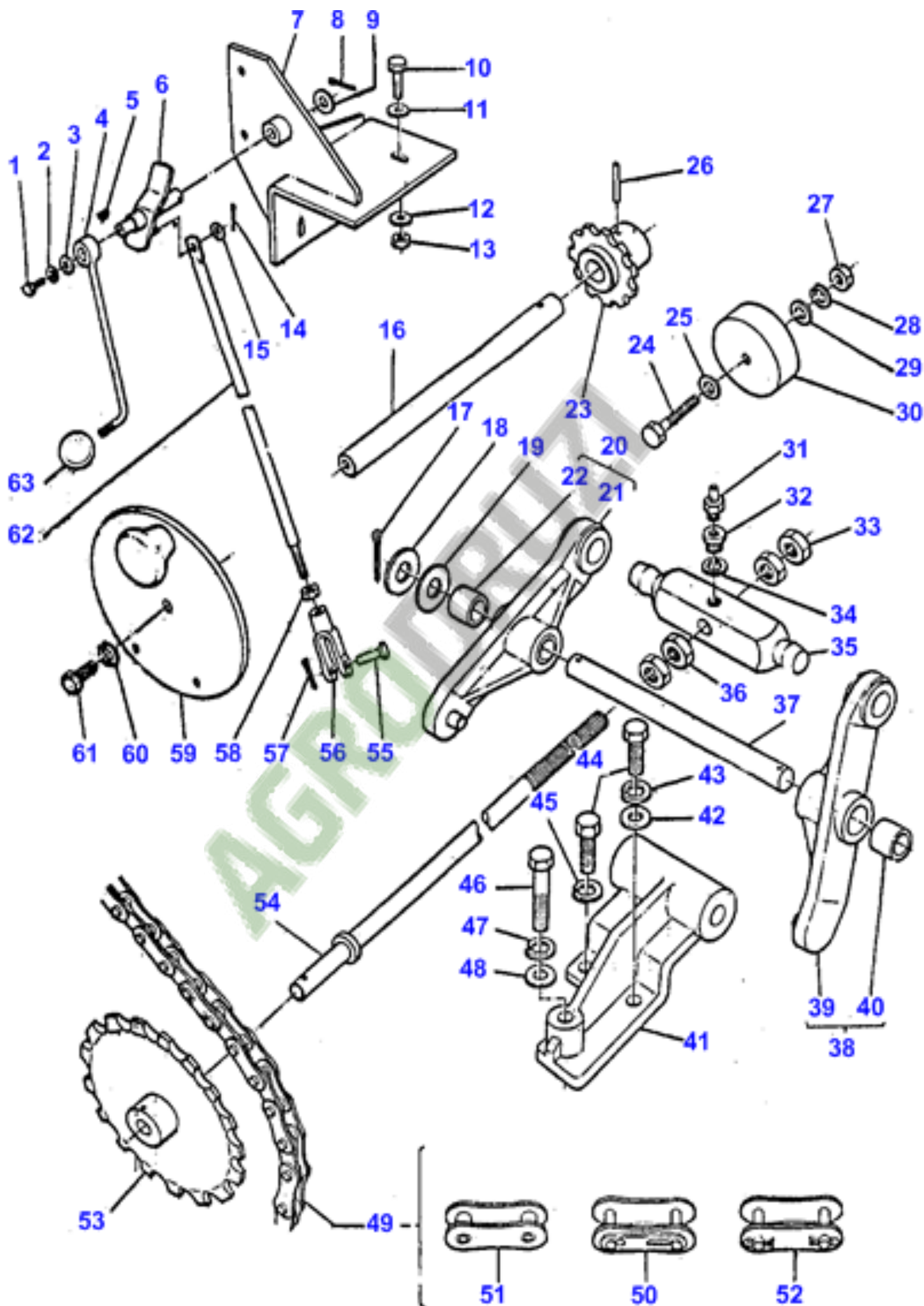
1 - 2410-010

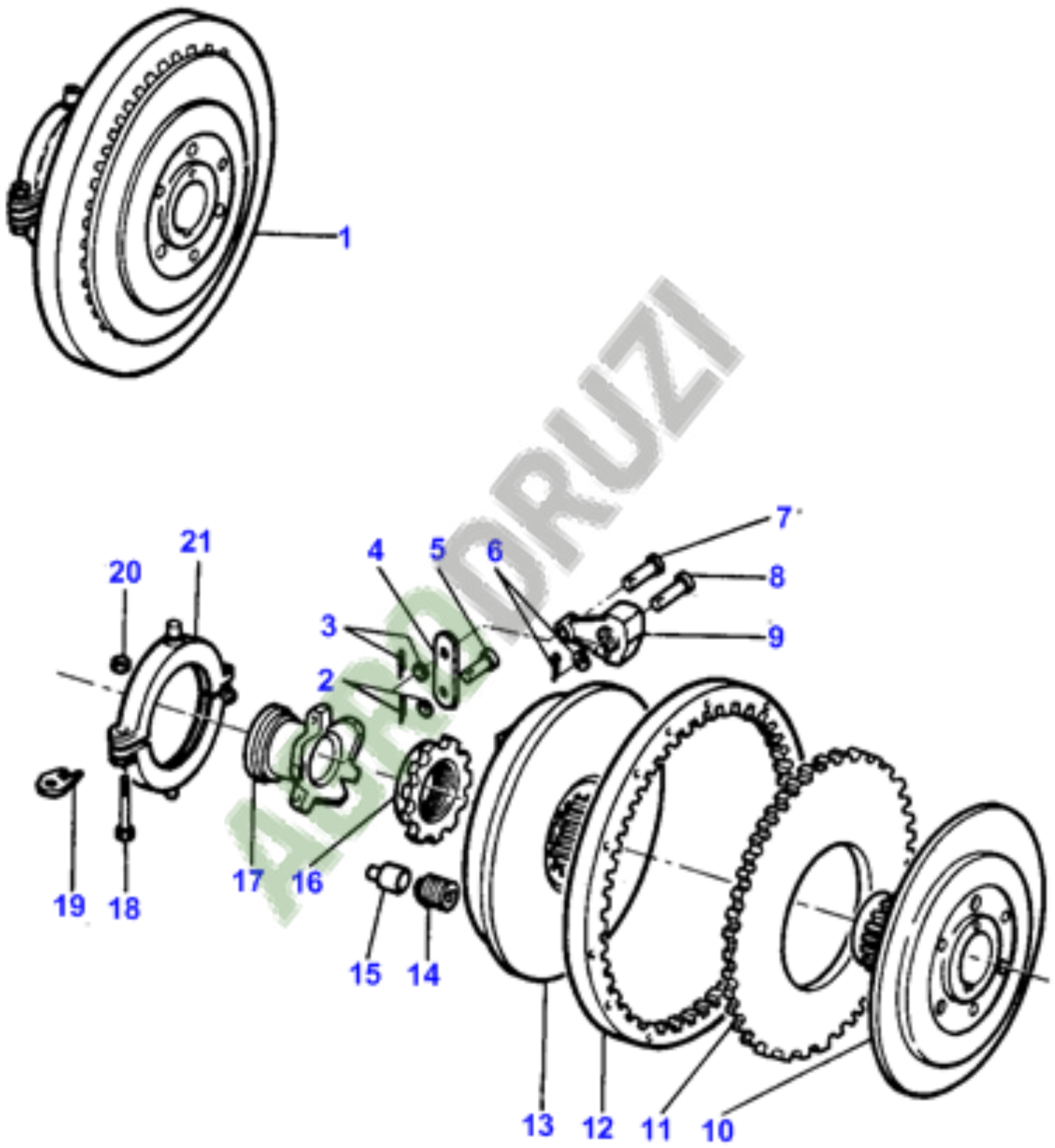


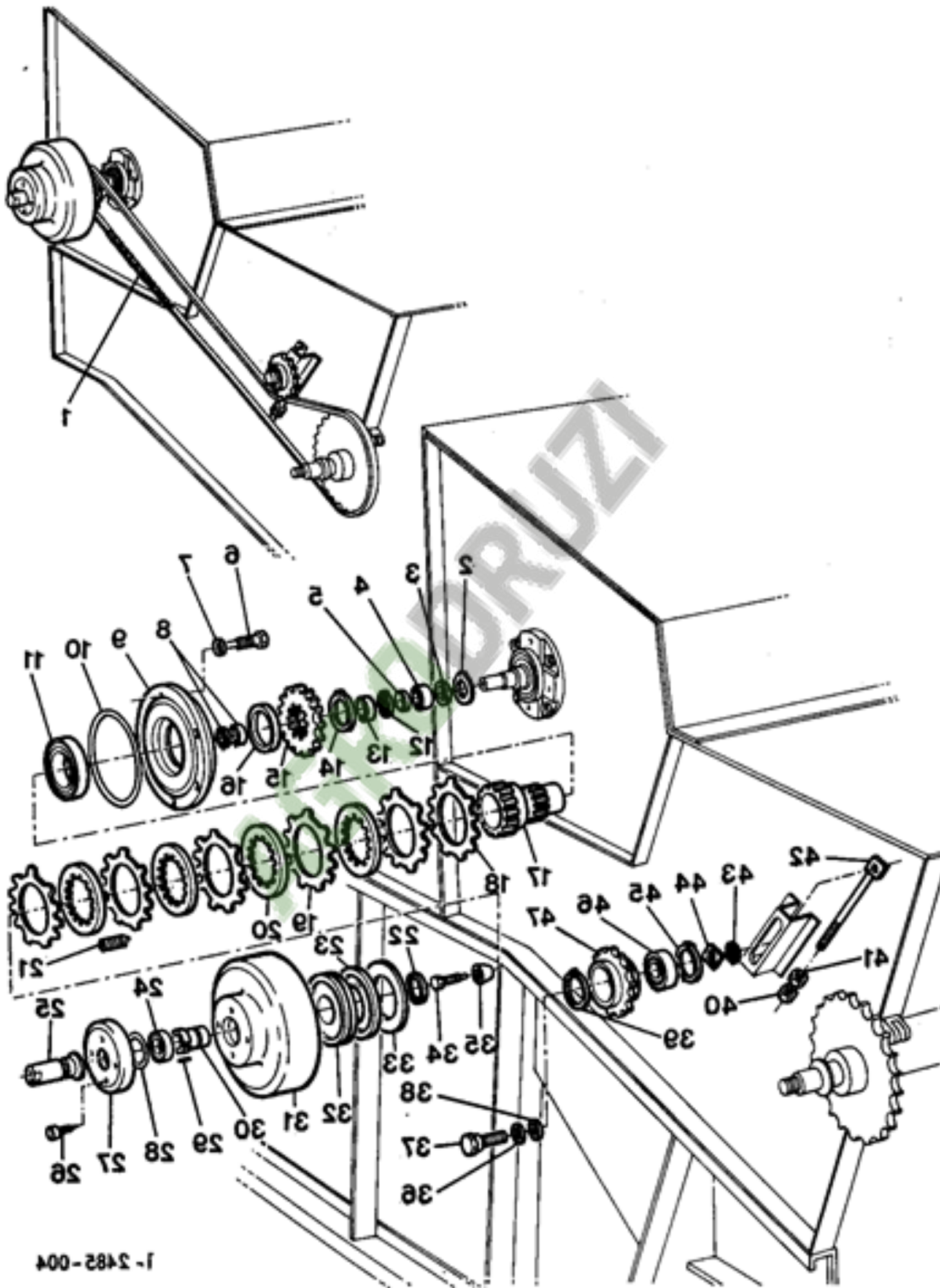
1-2410-007



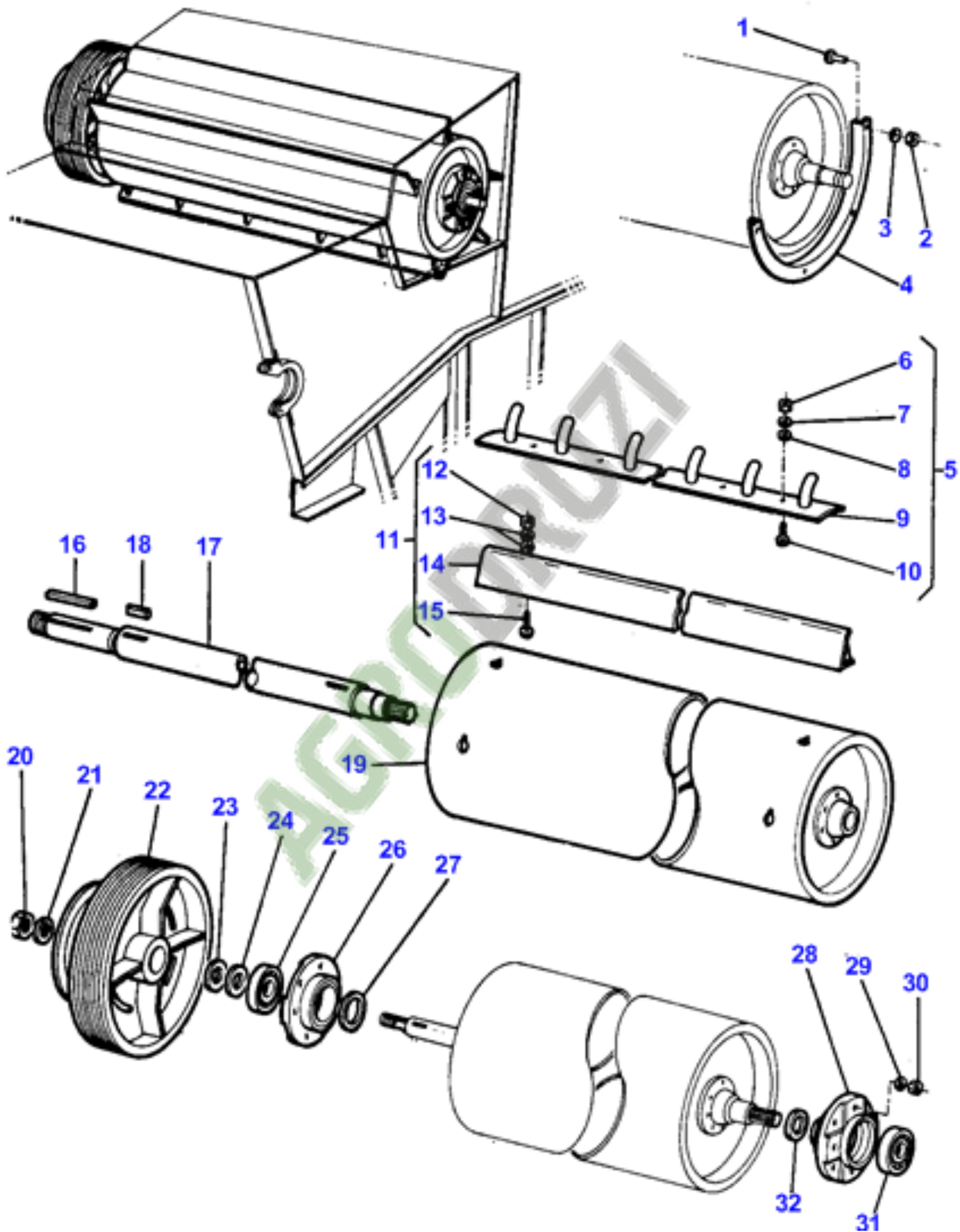


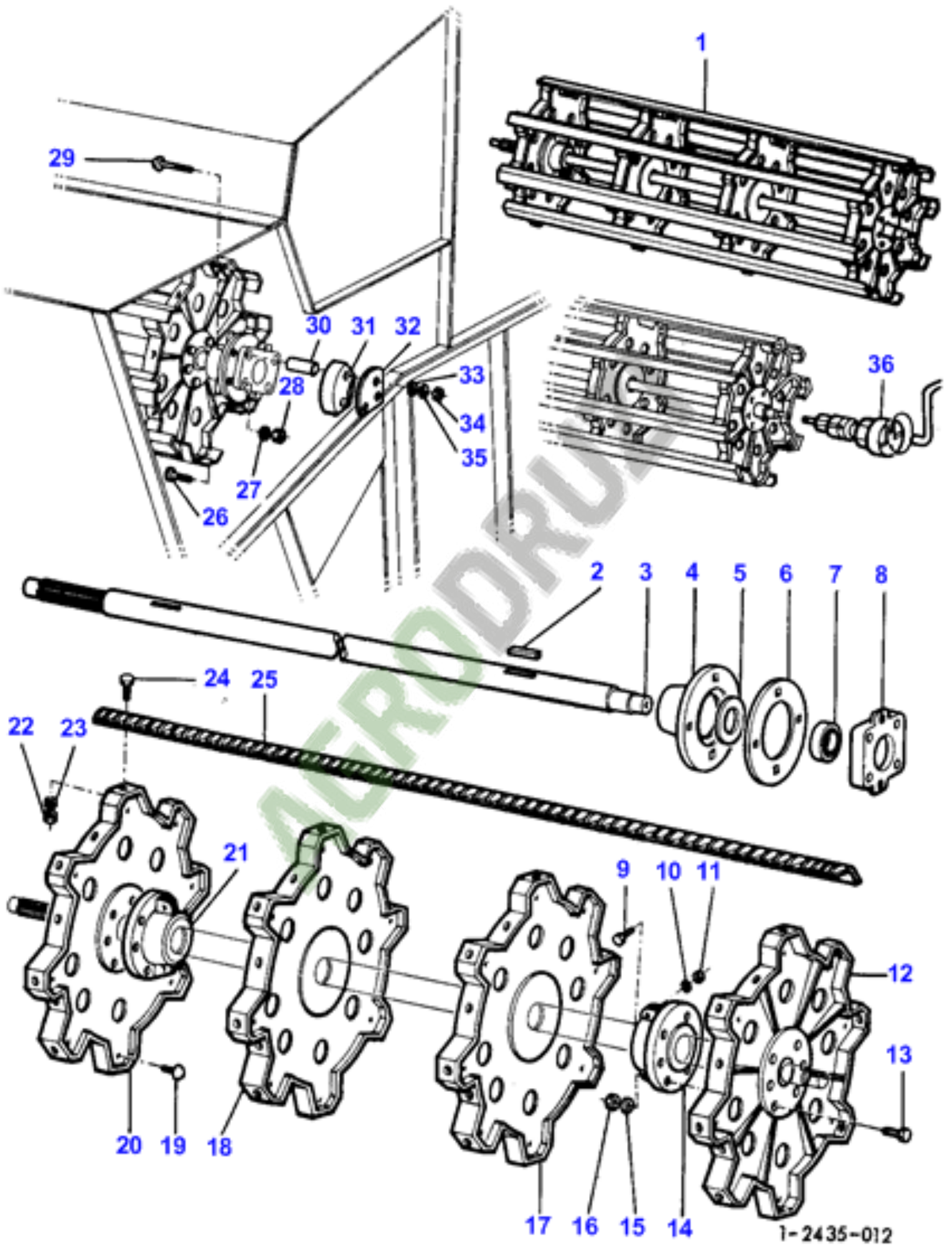




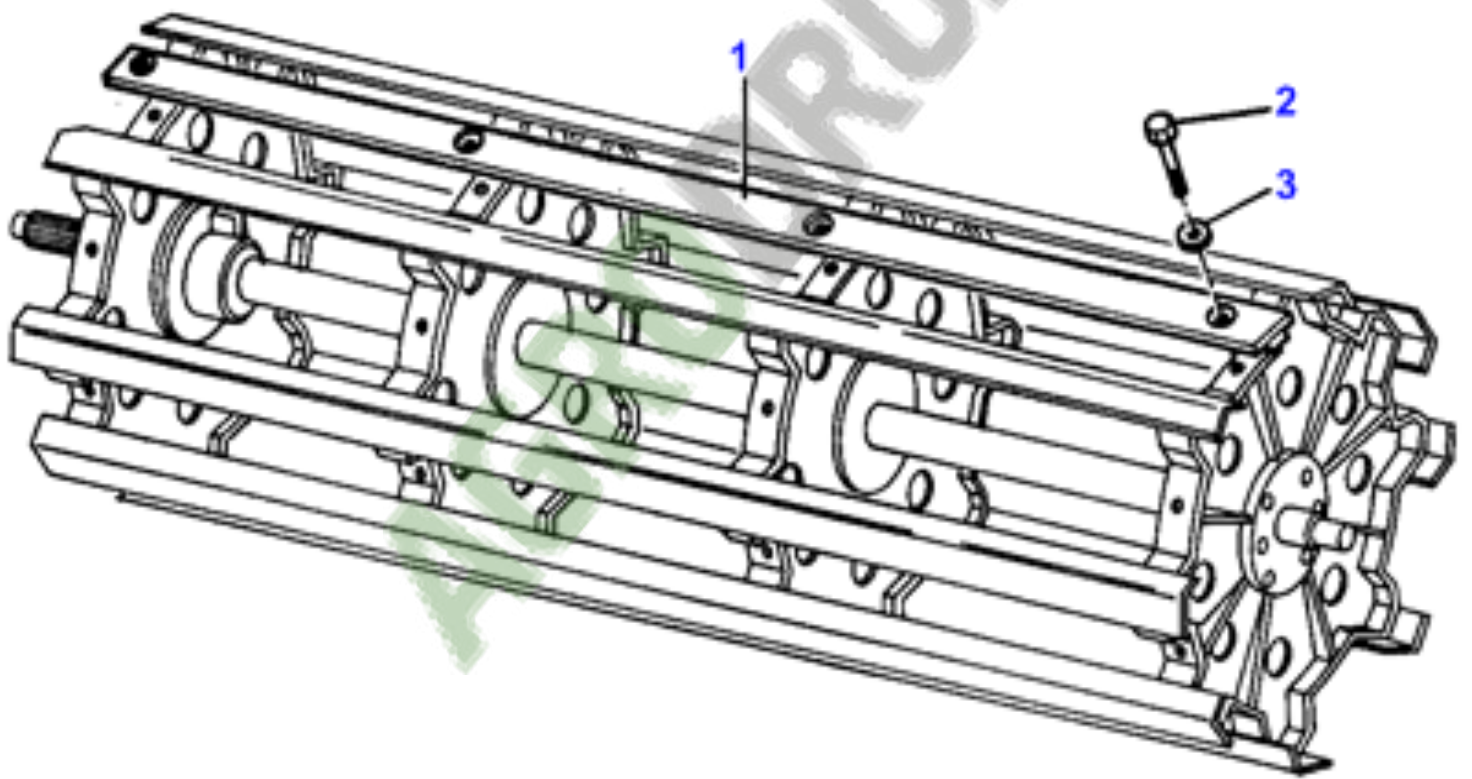


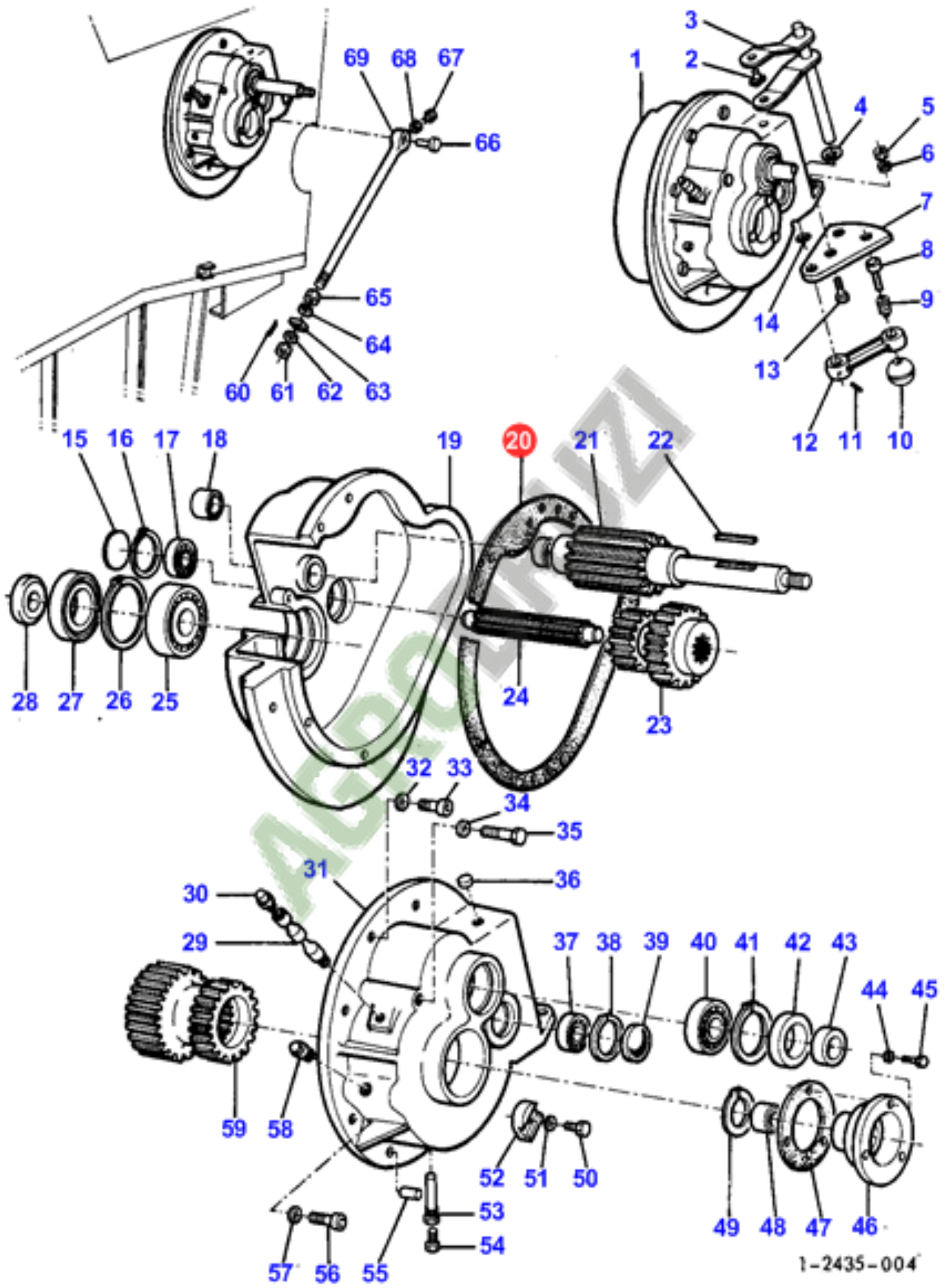
1-3482-004

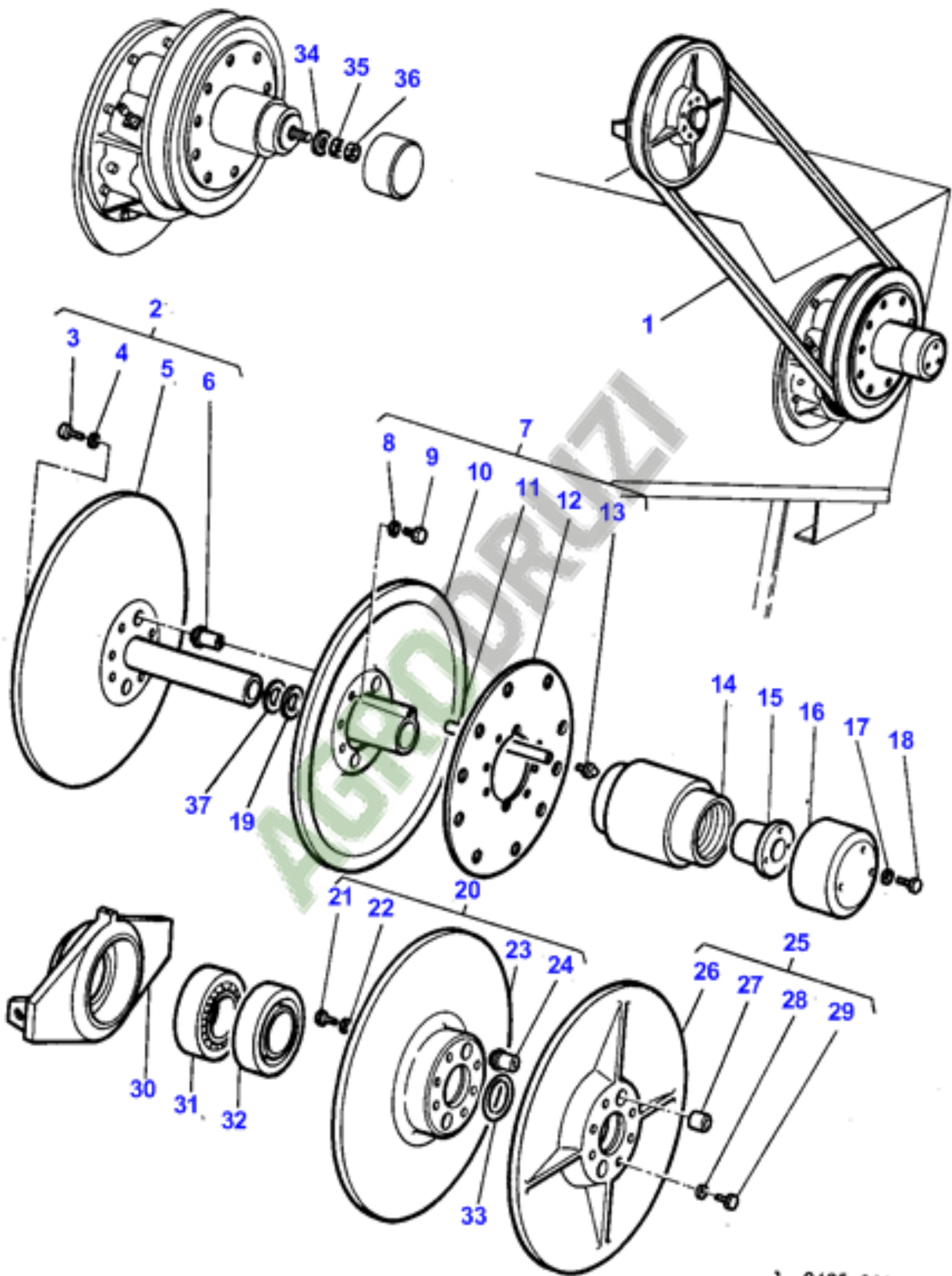




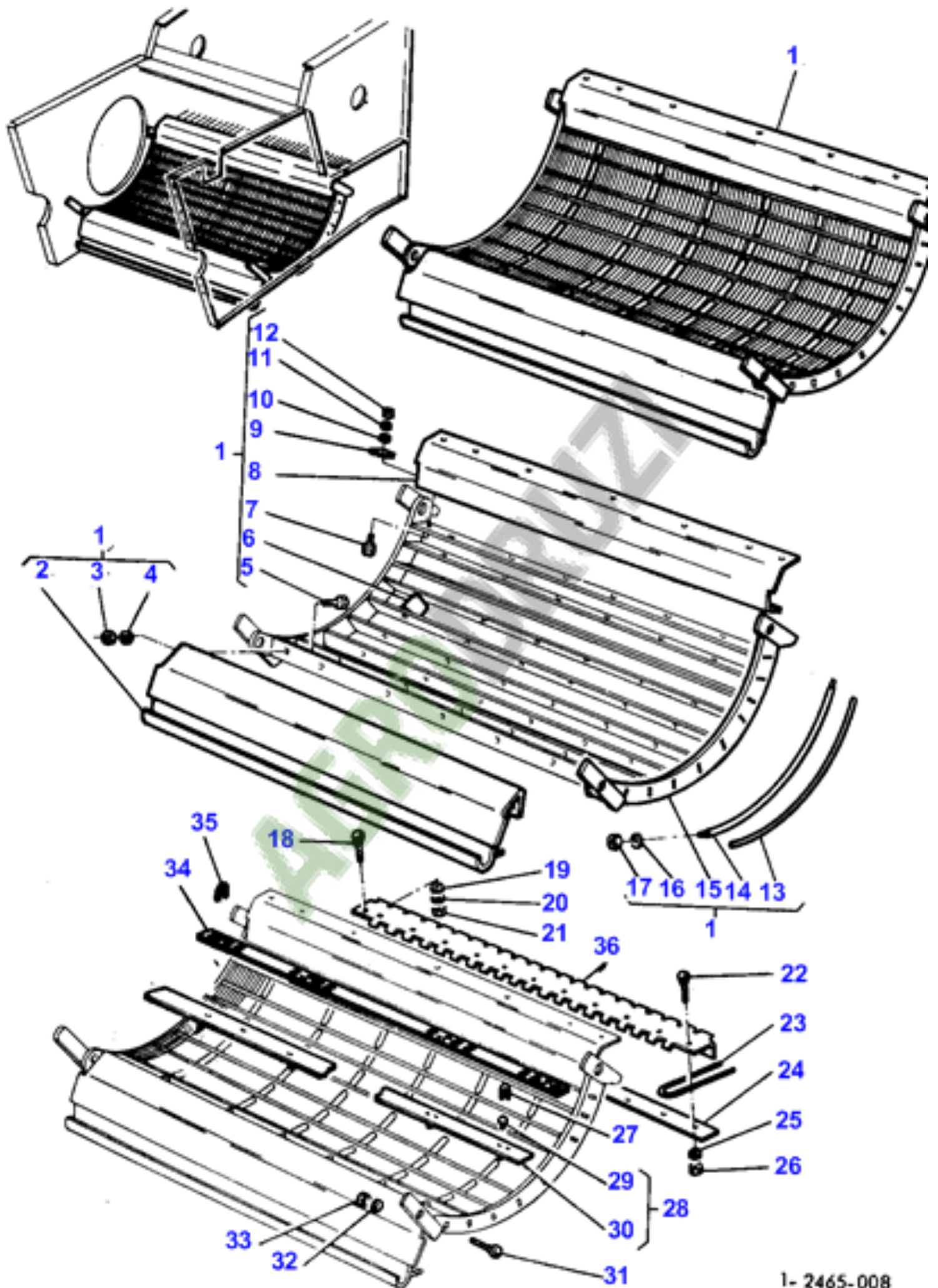
1-2435-012



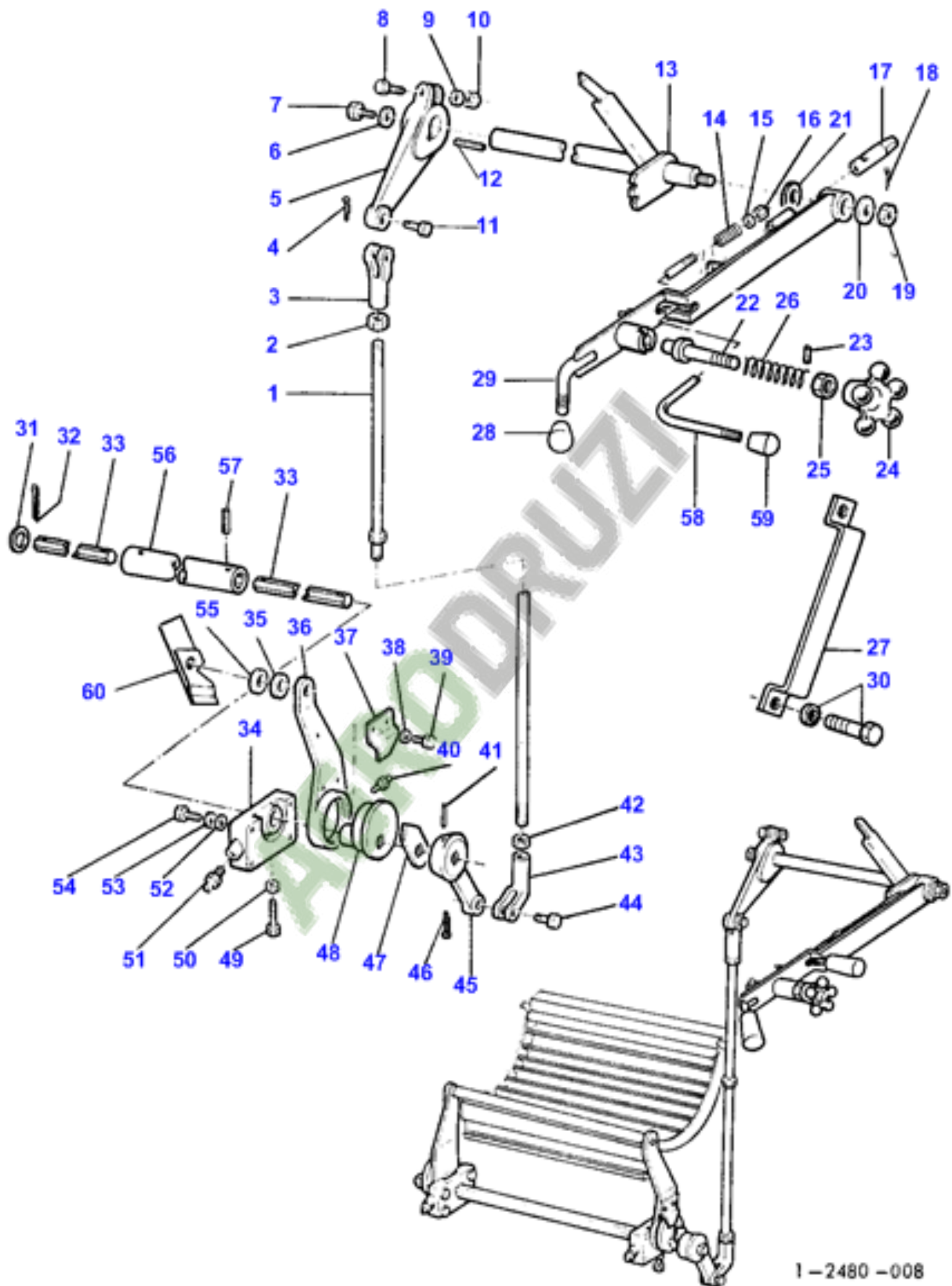




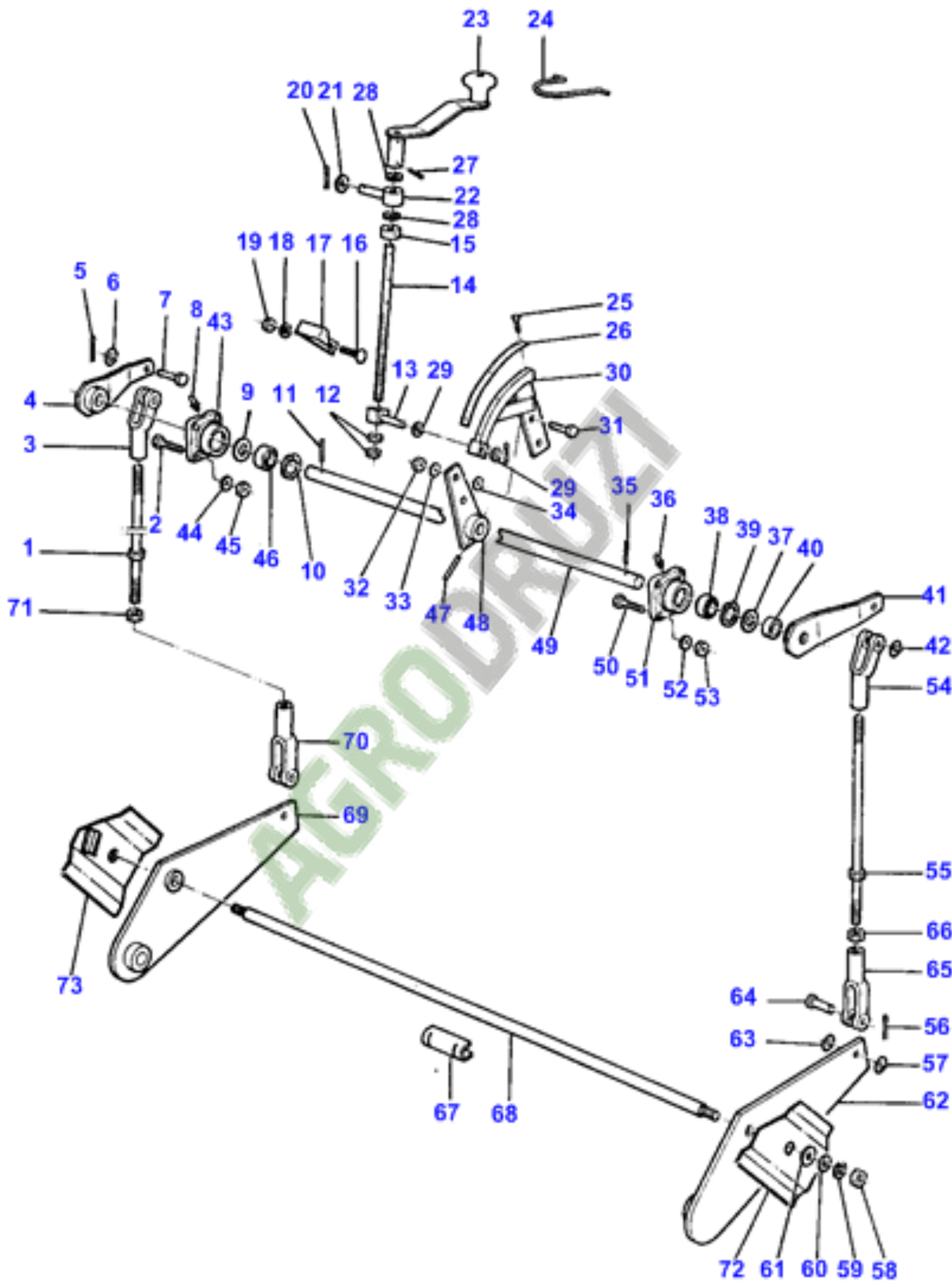
1- 2435-011



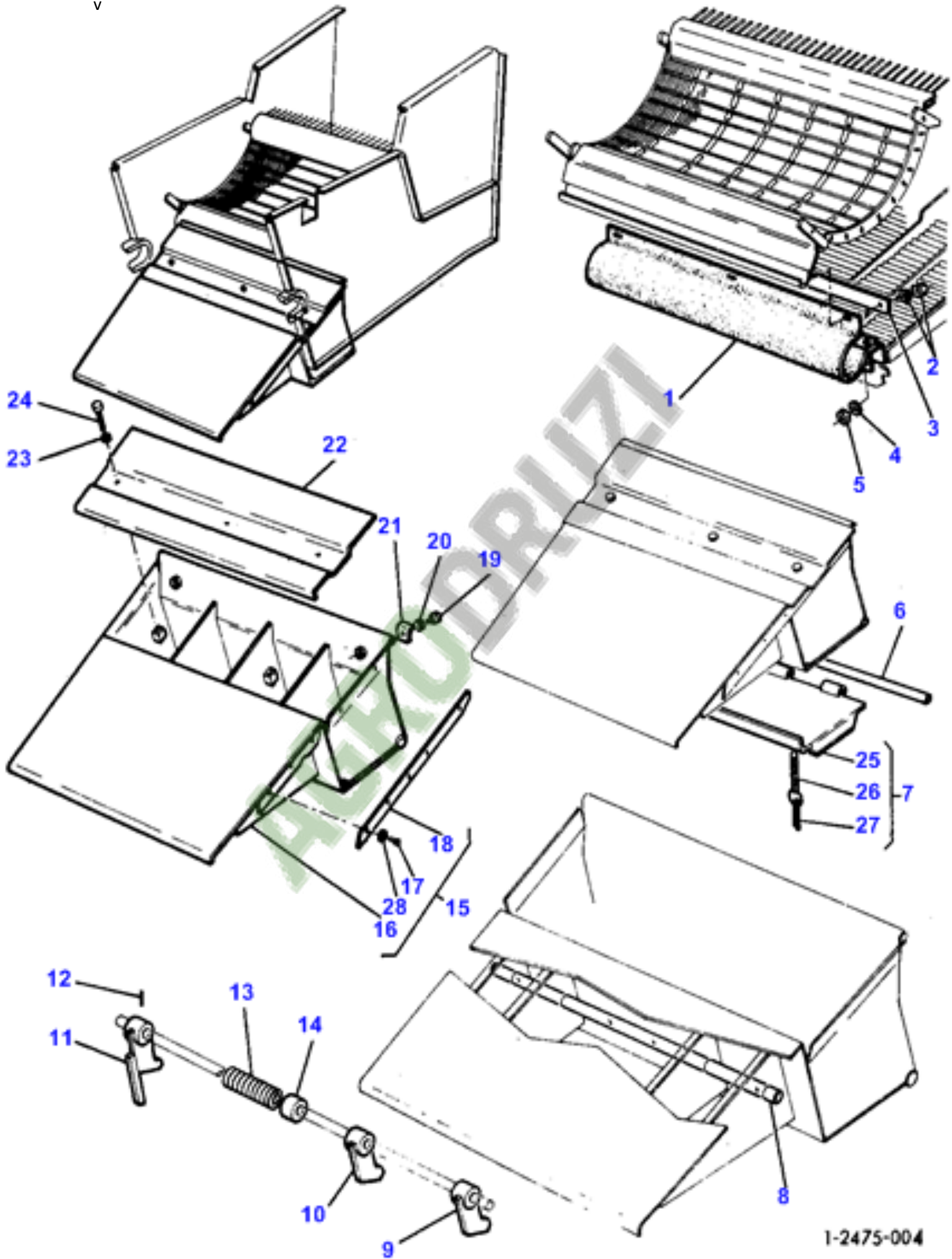
1- 2465-008



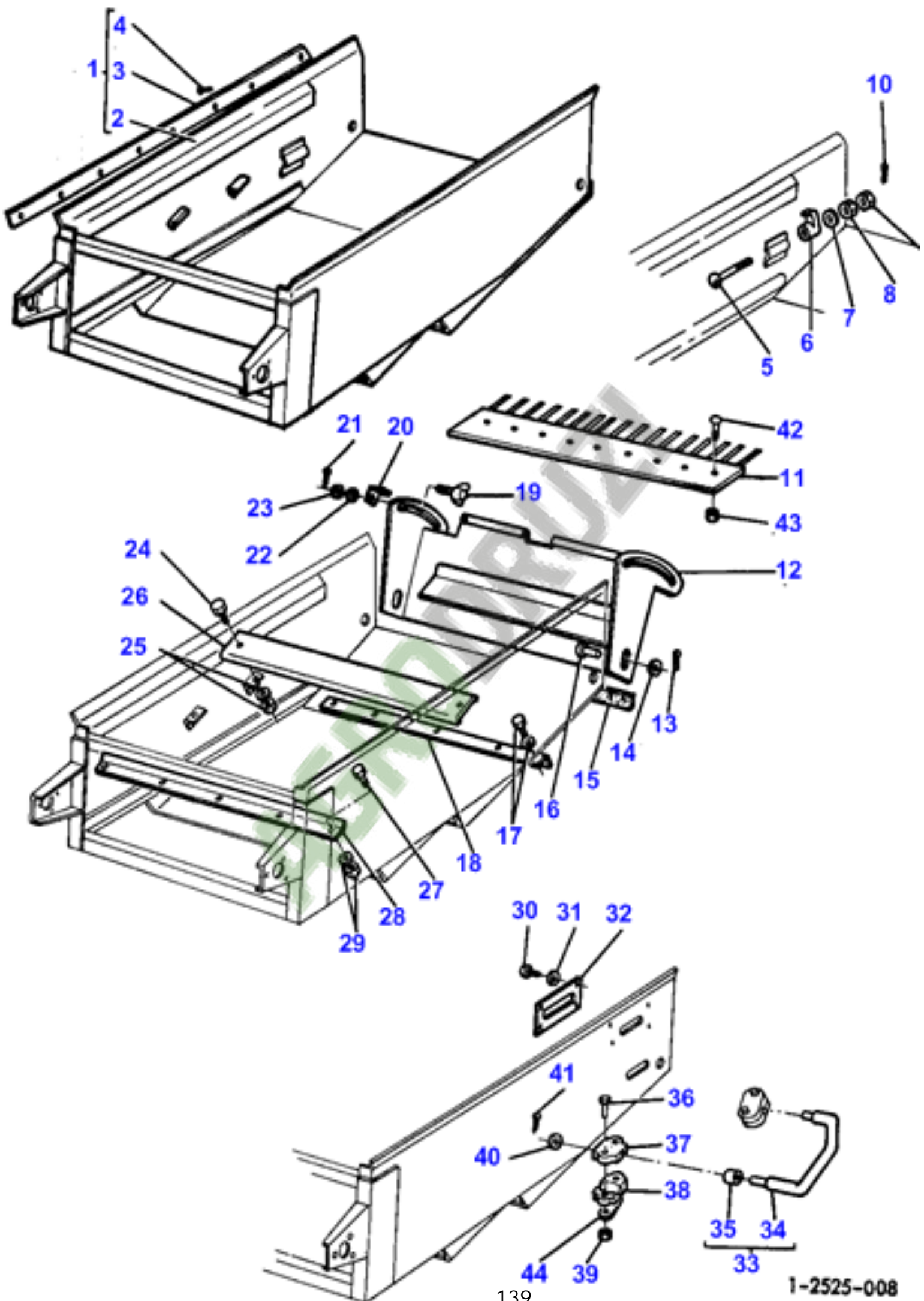
1-2480-008

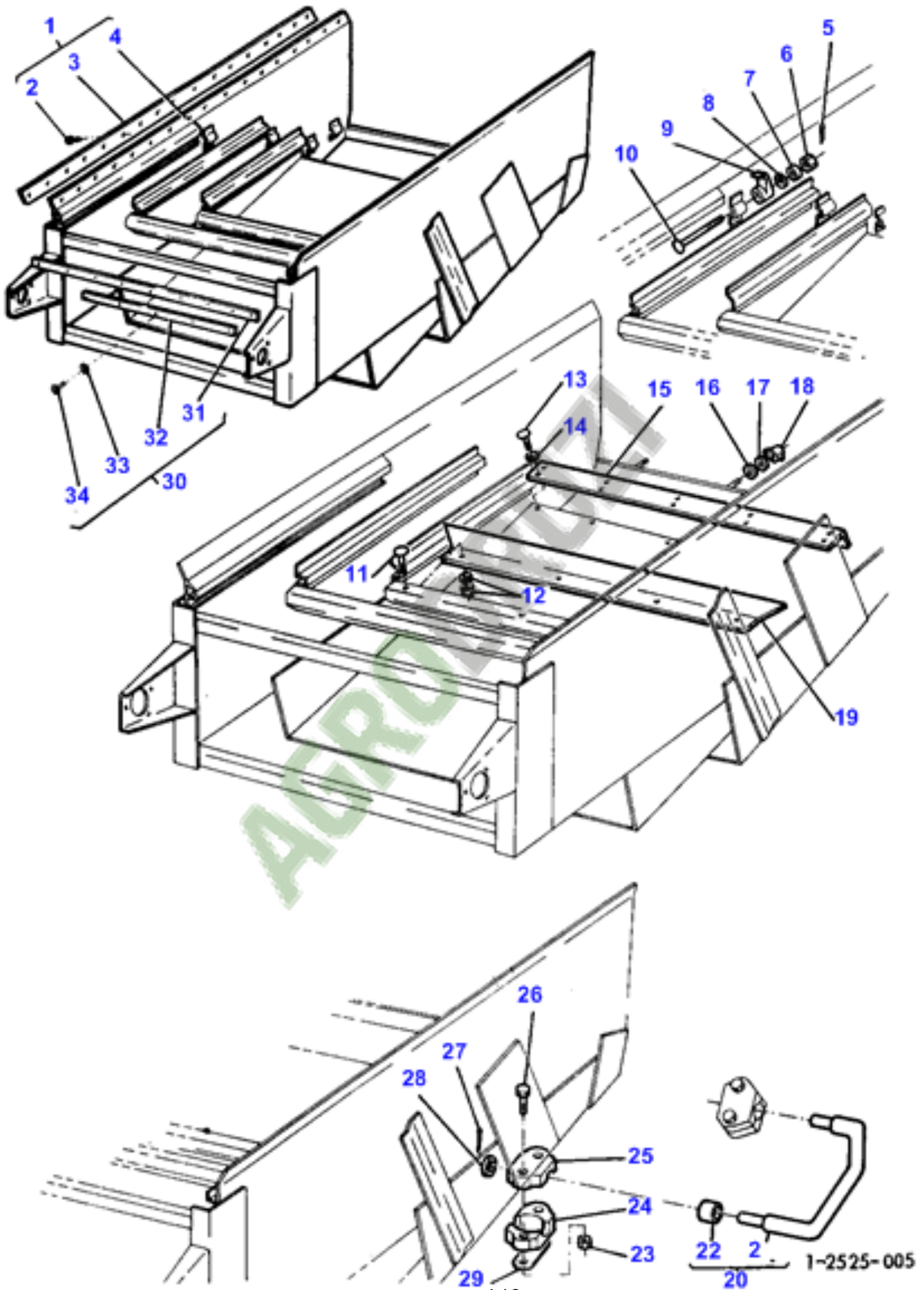


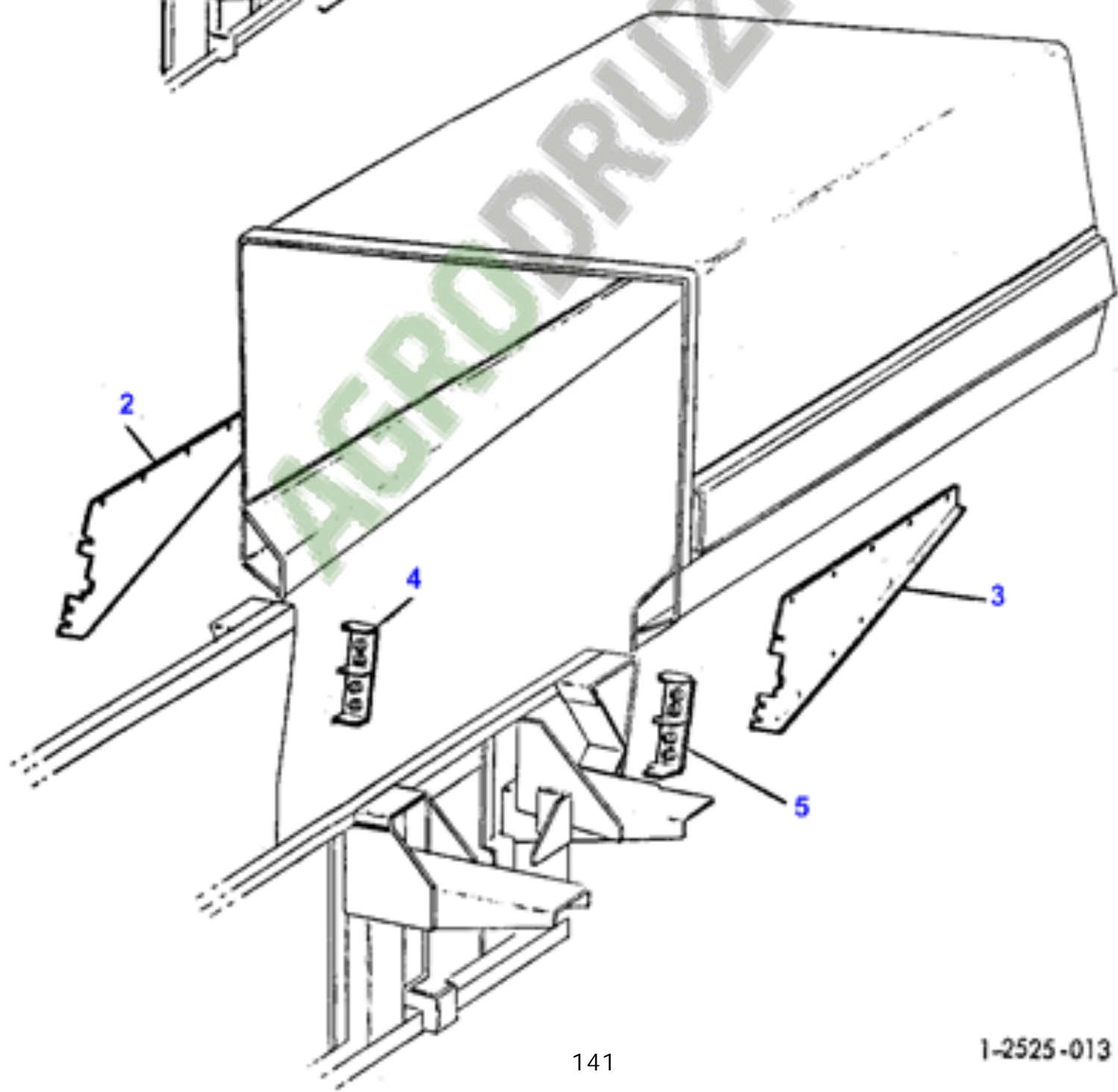
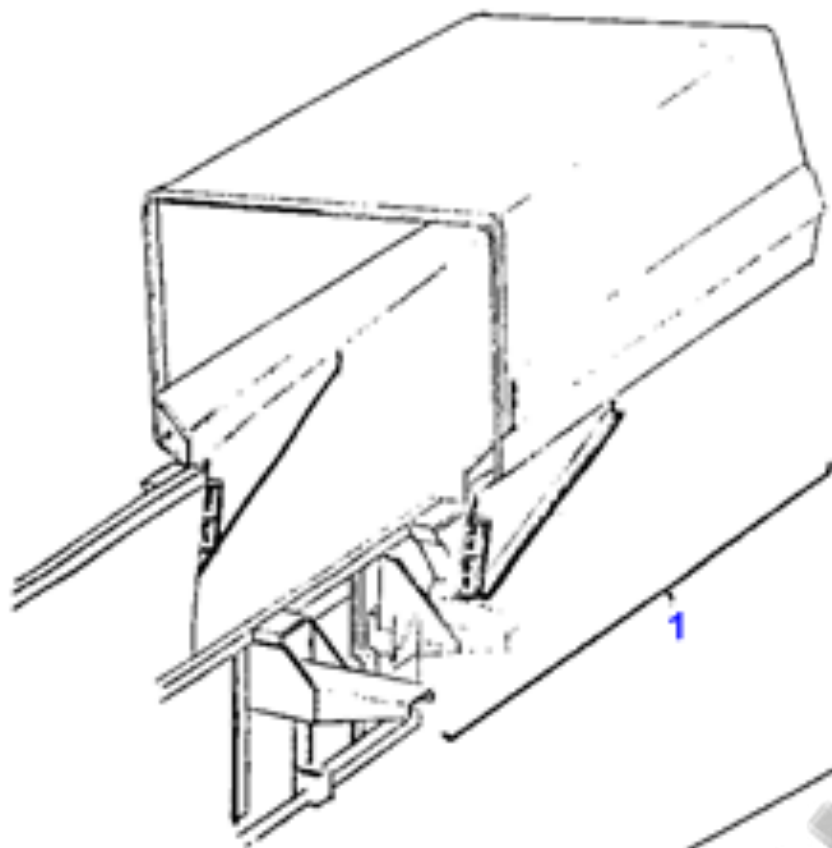
v

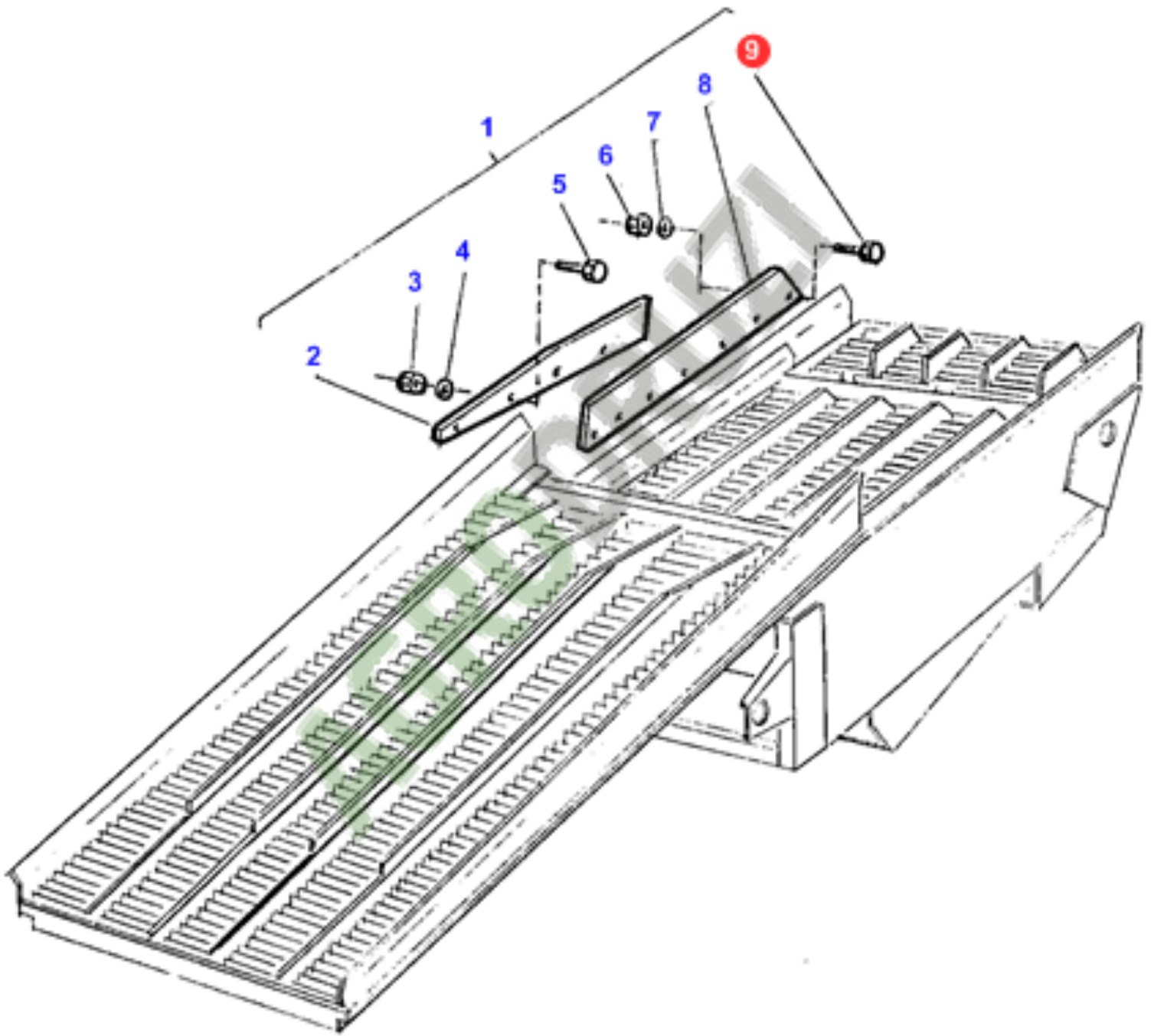


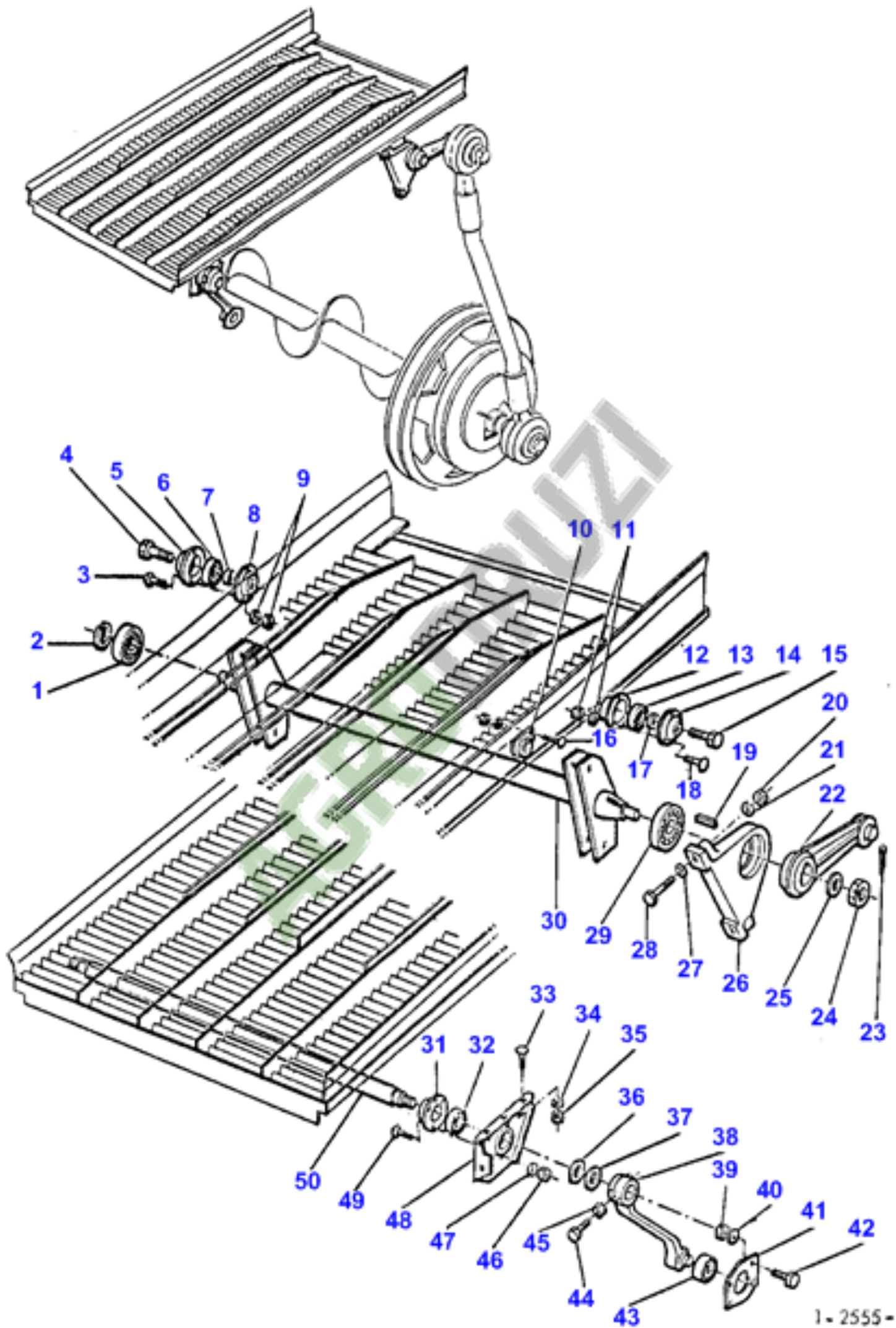
1-2475-004



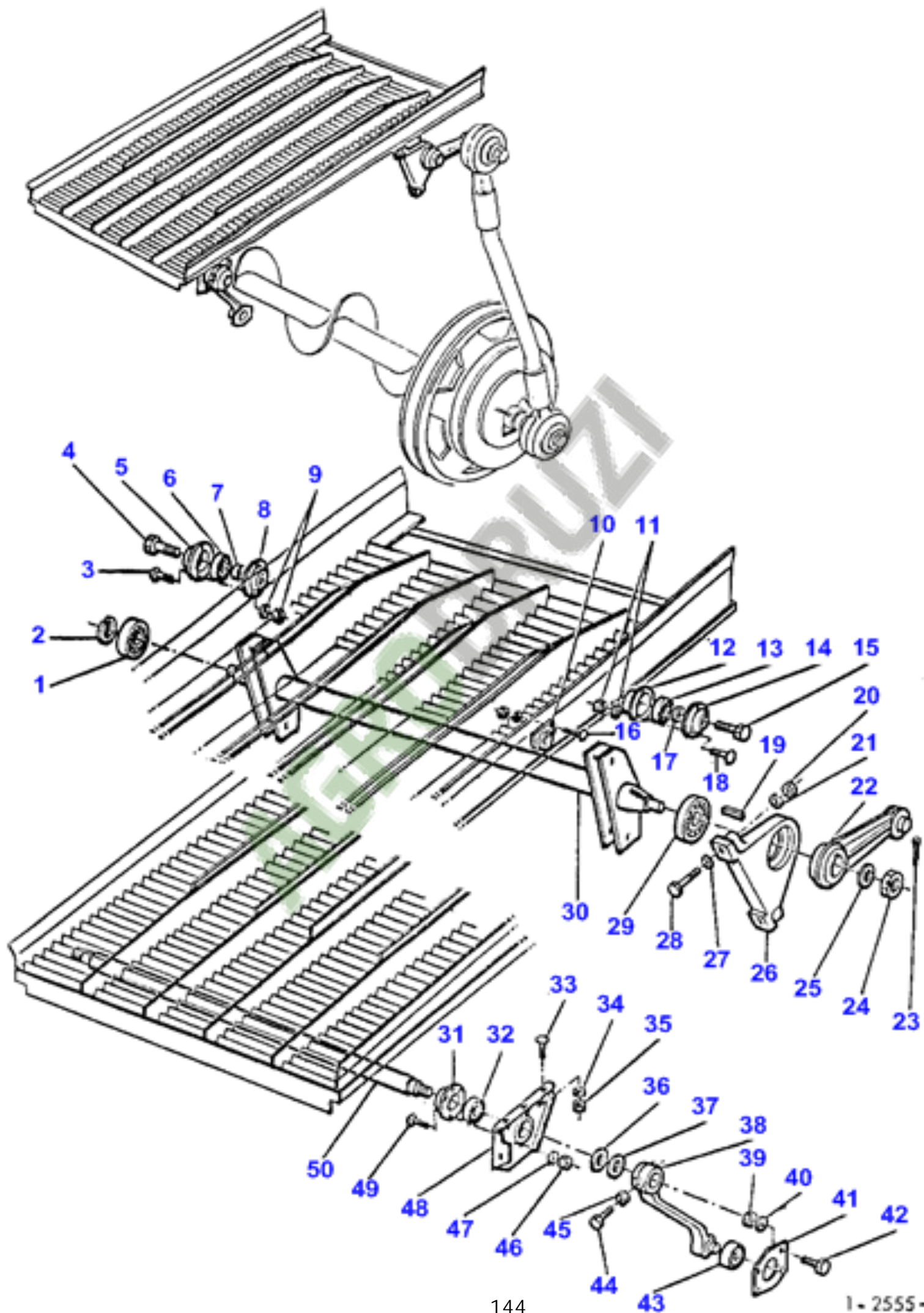


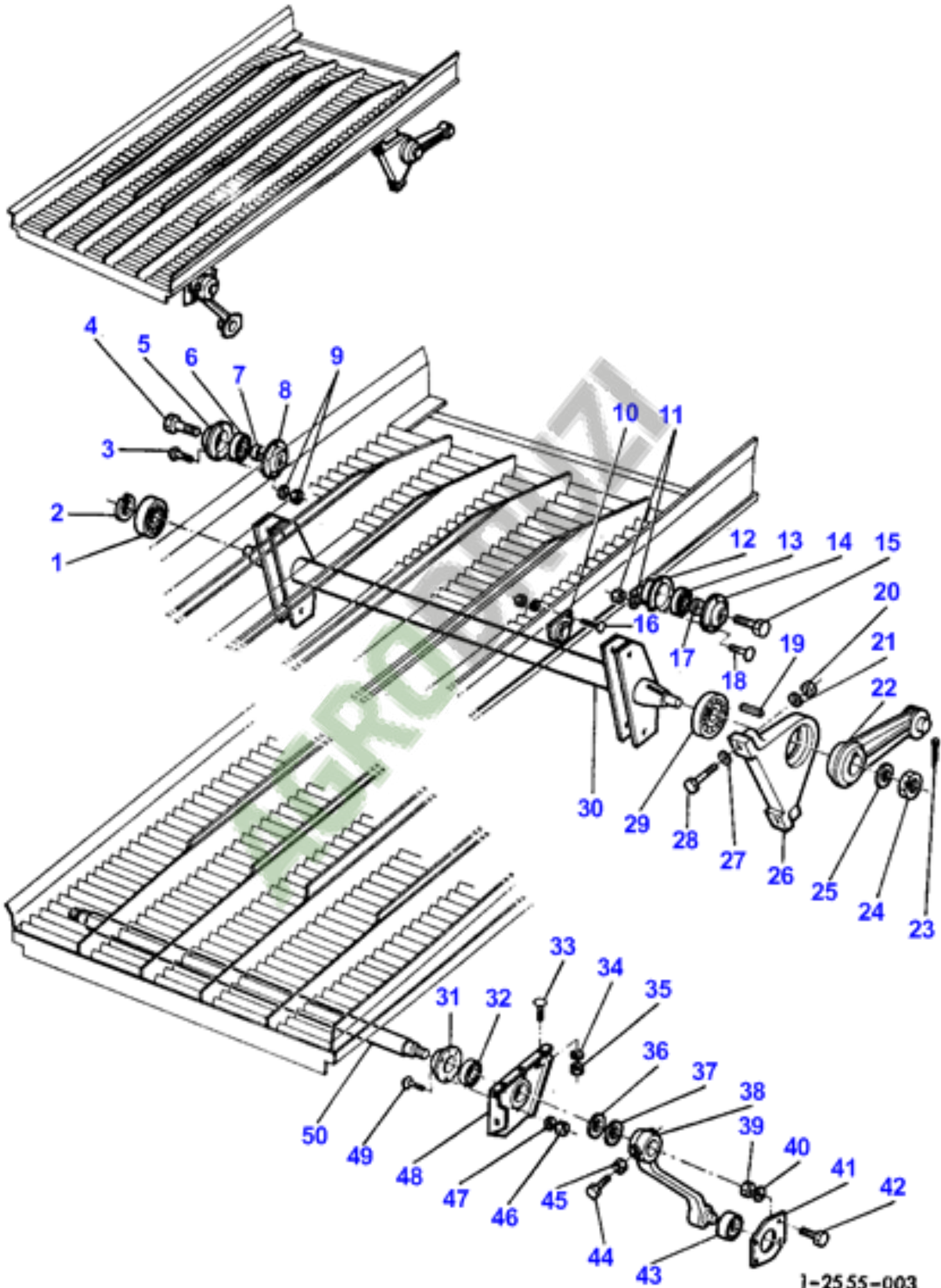




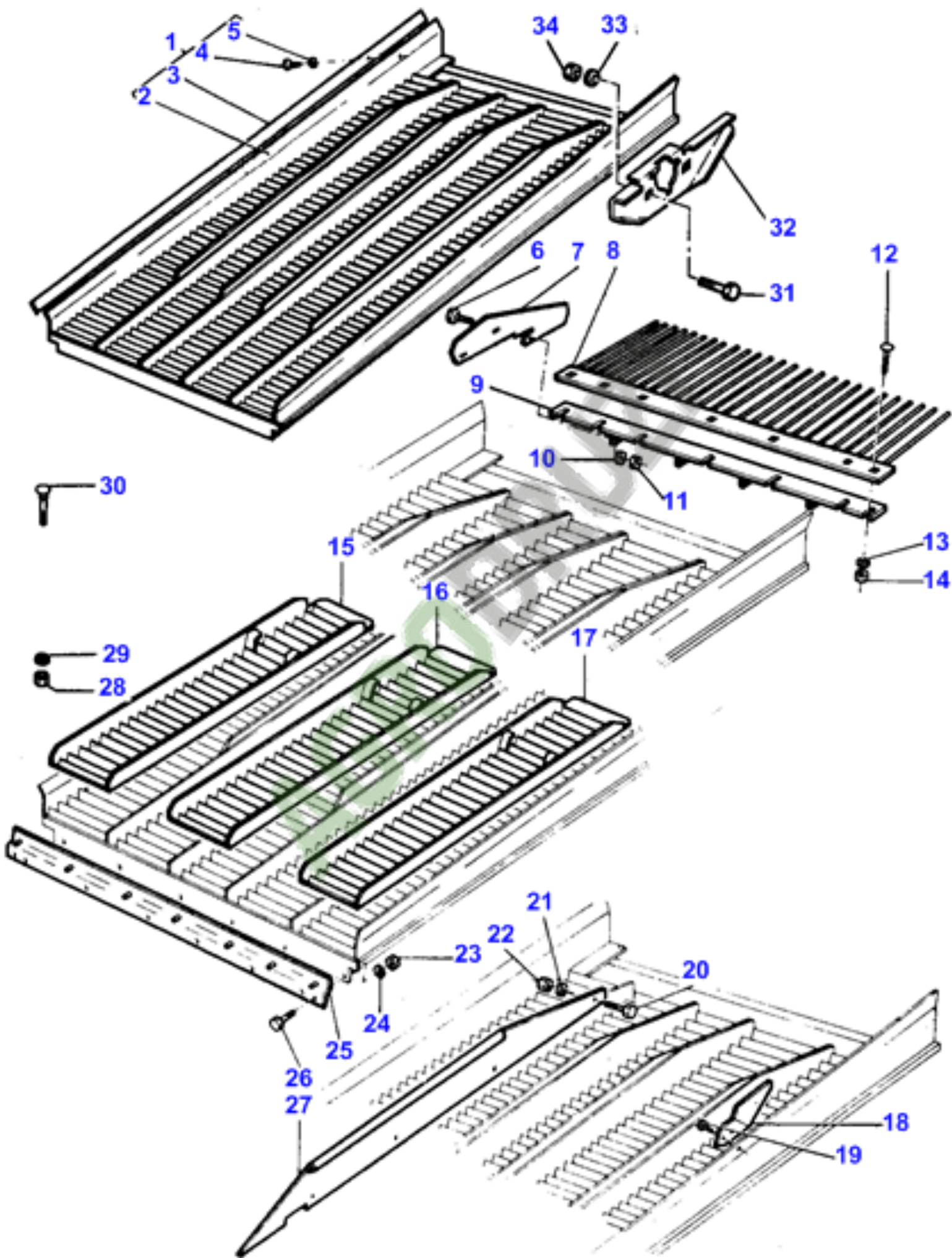


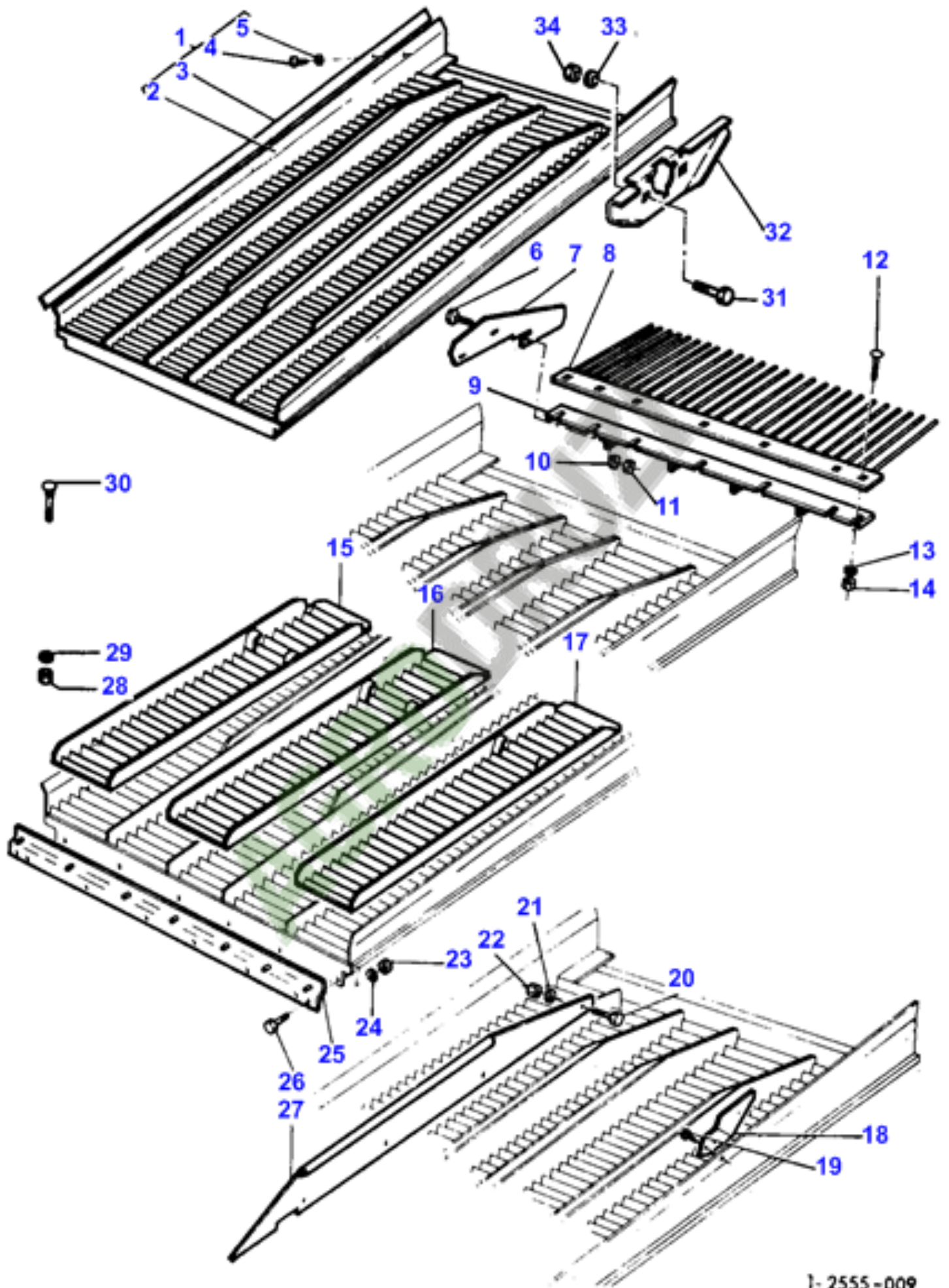
1-2555-010



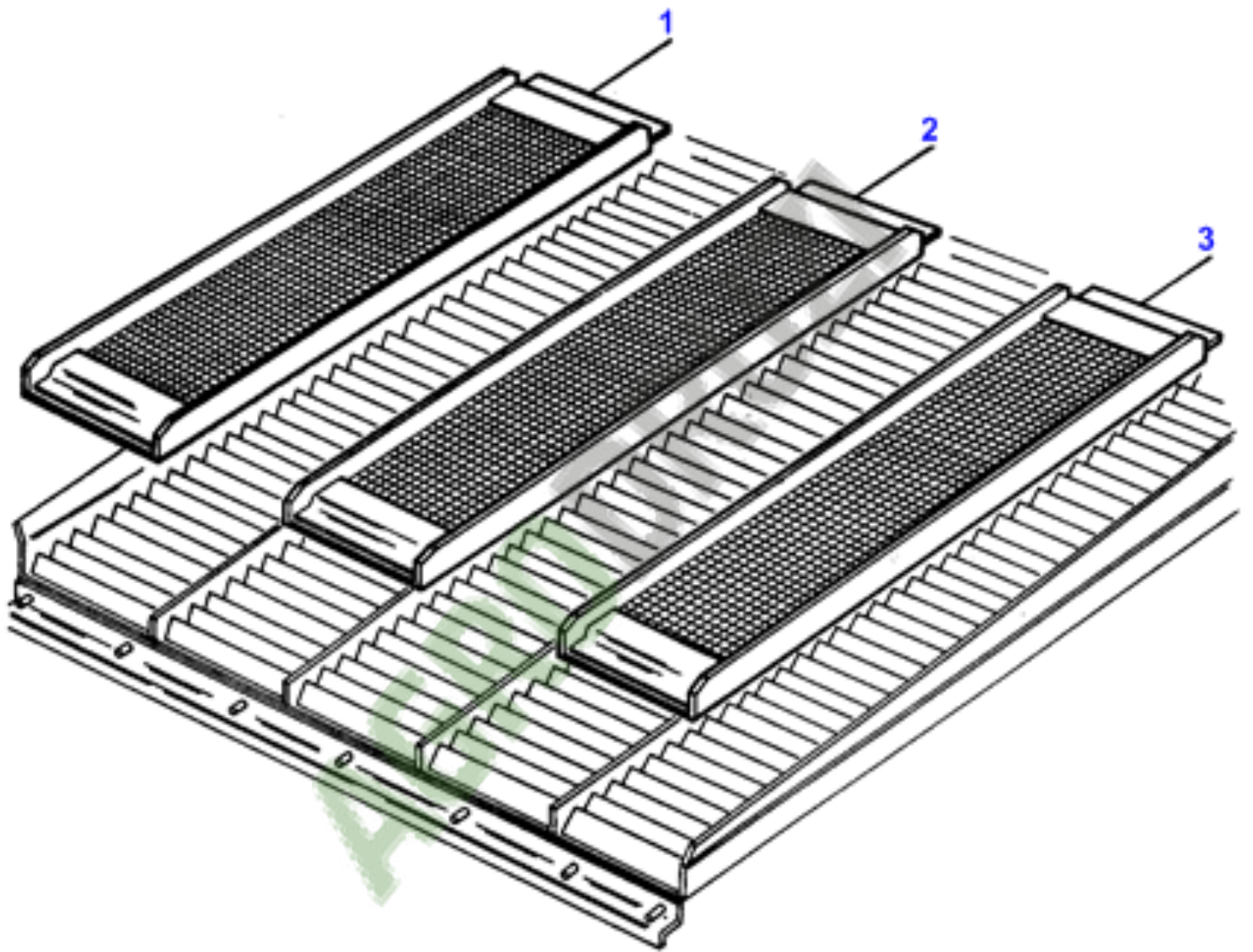


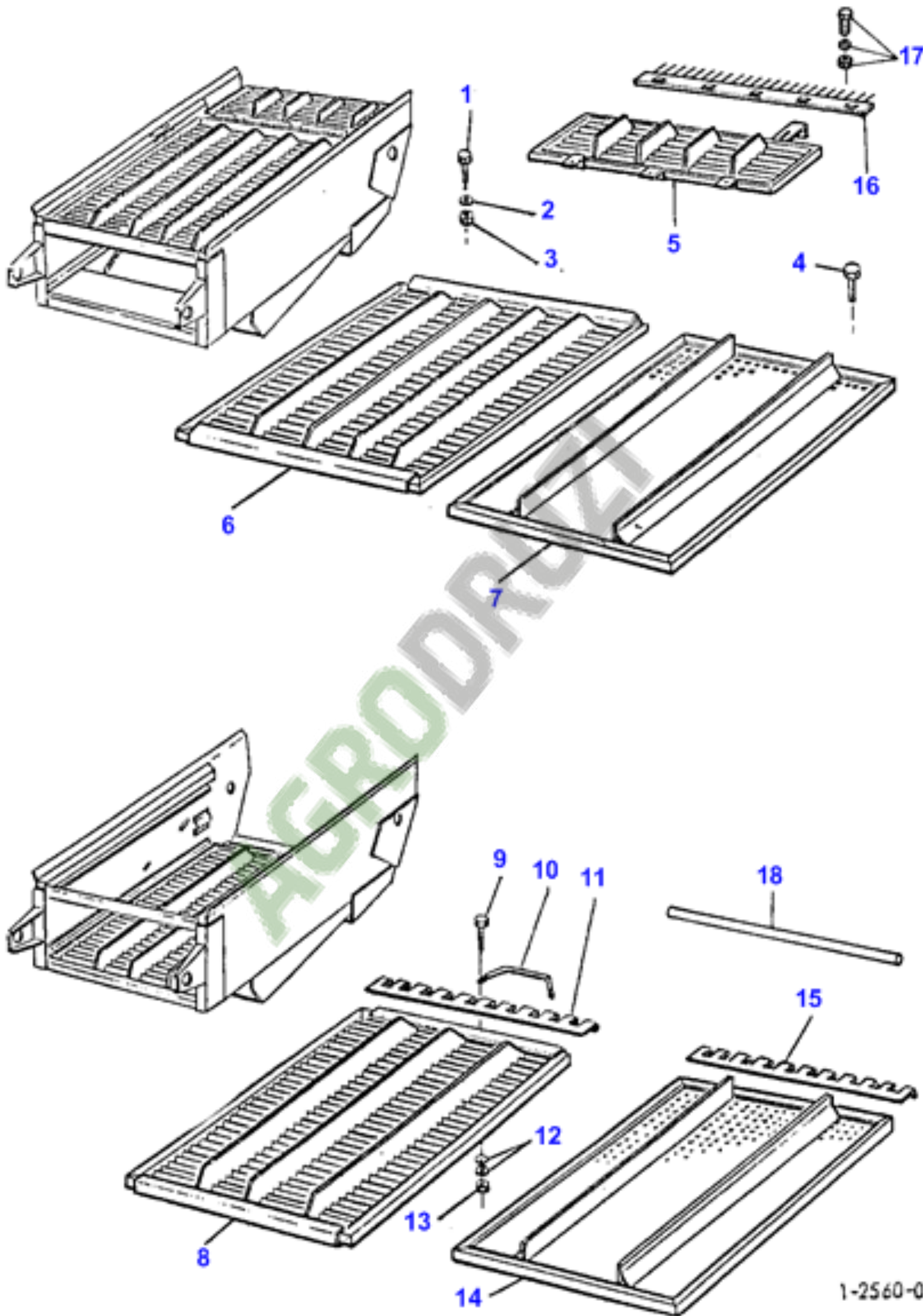
1-2555-003

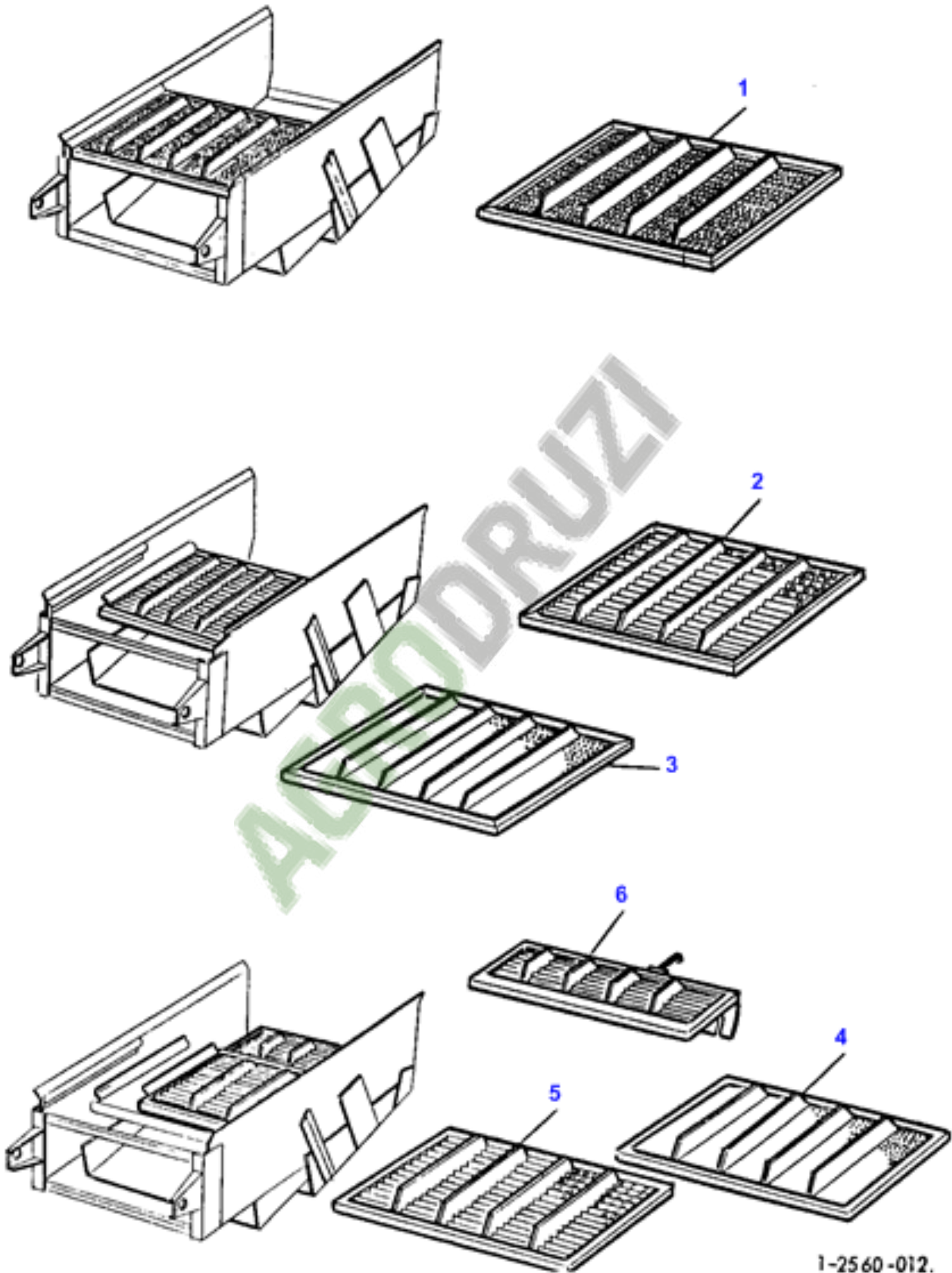




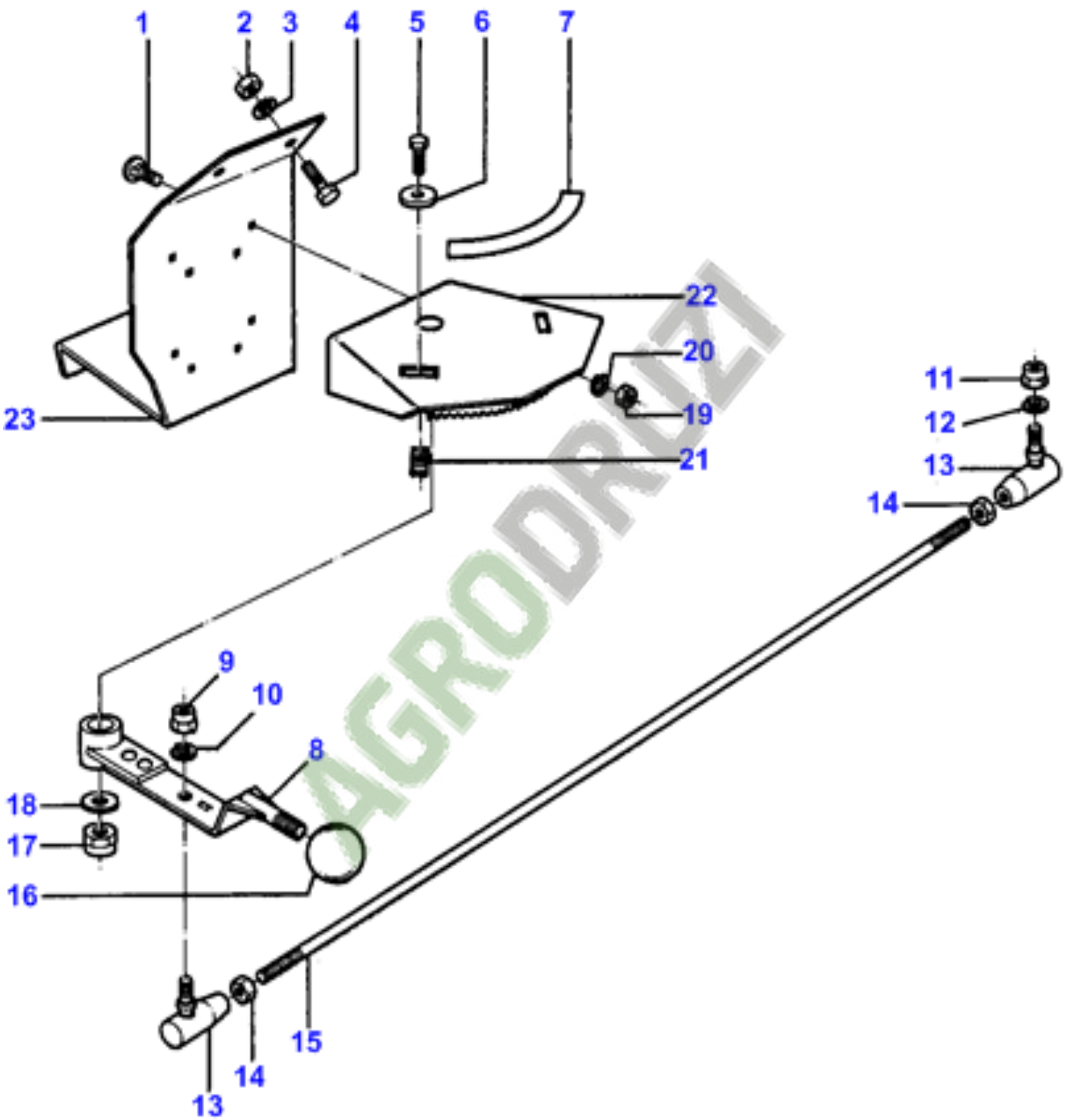
1- 2555-009

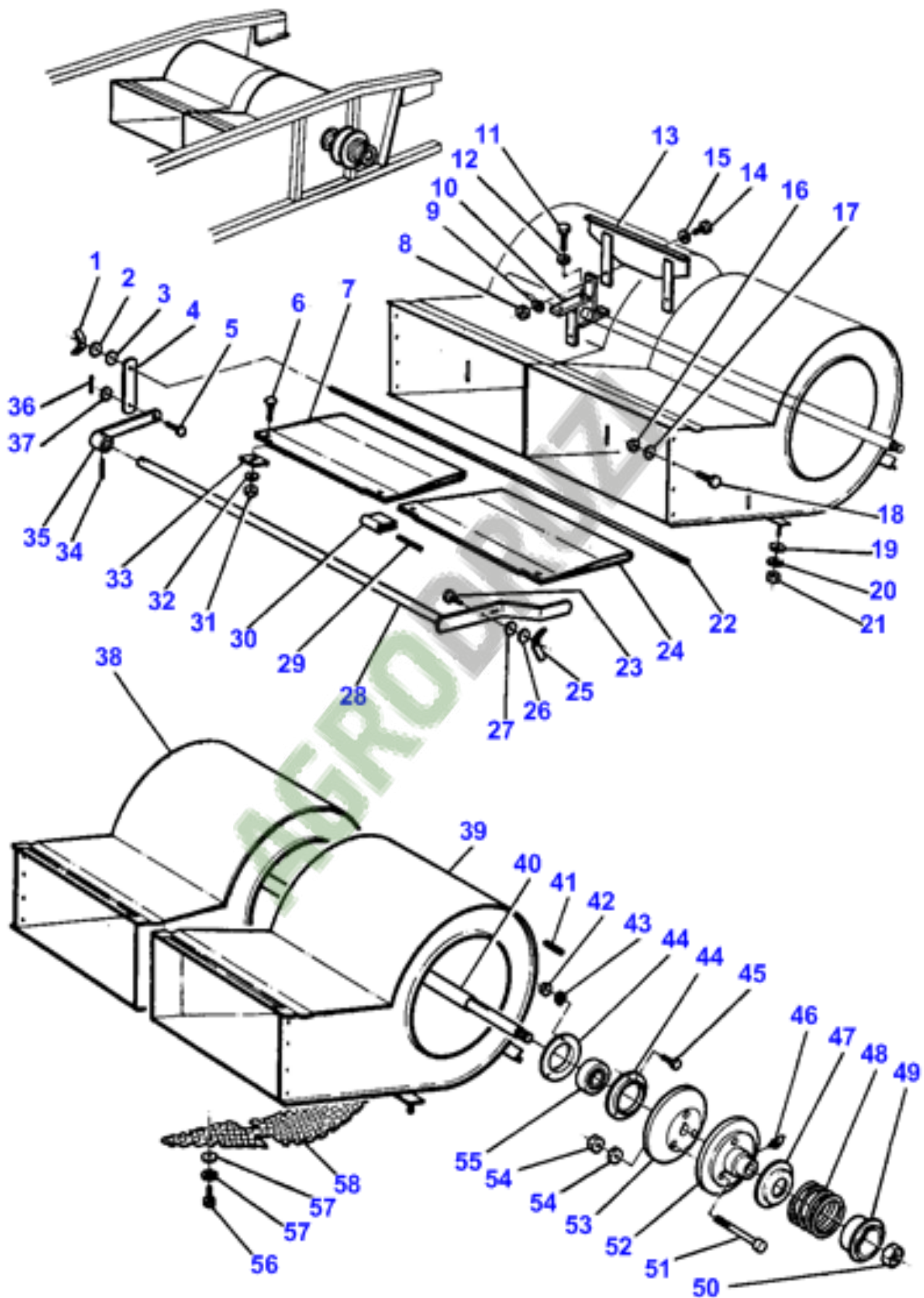


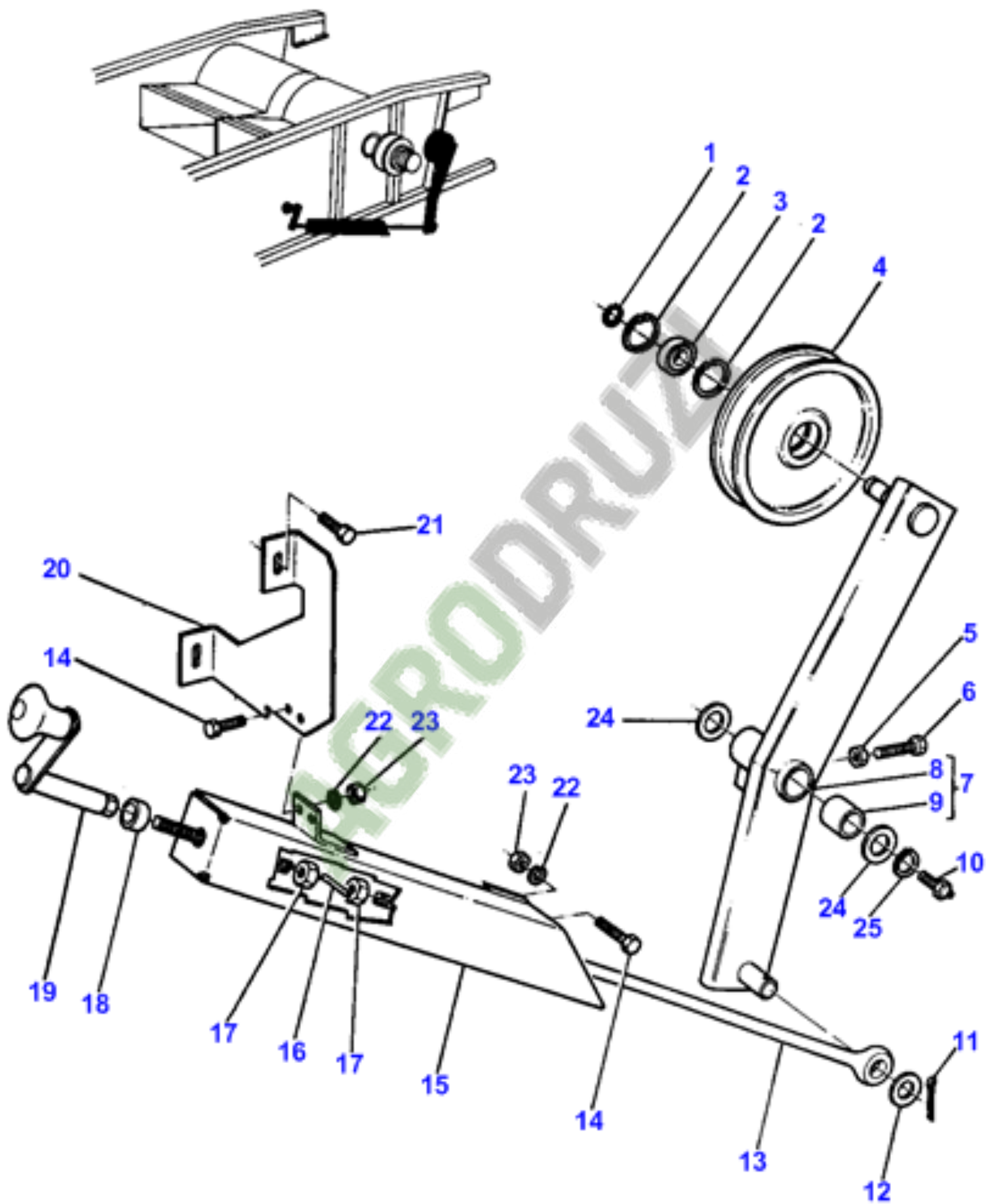


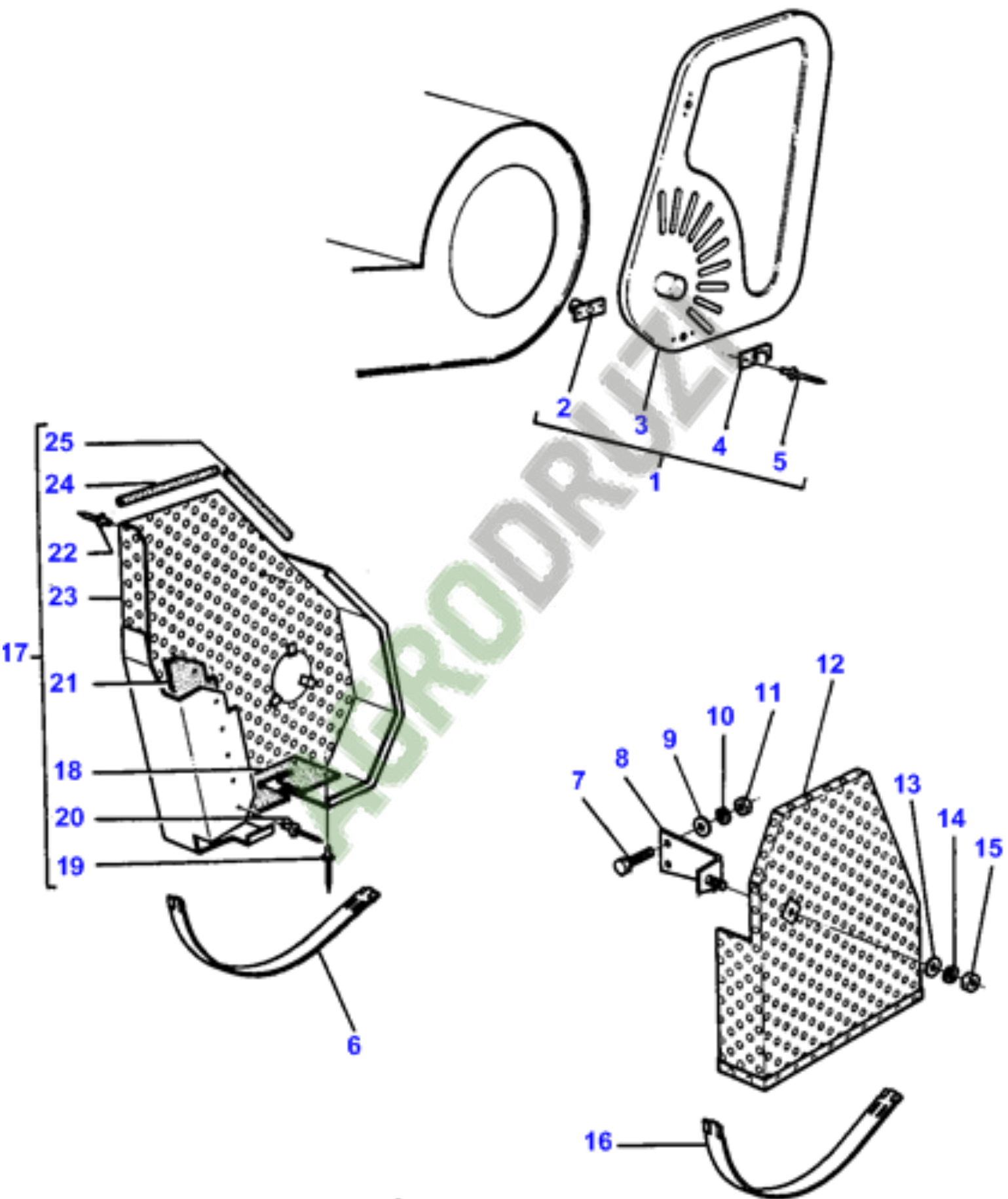


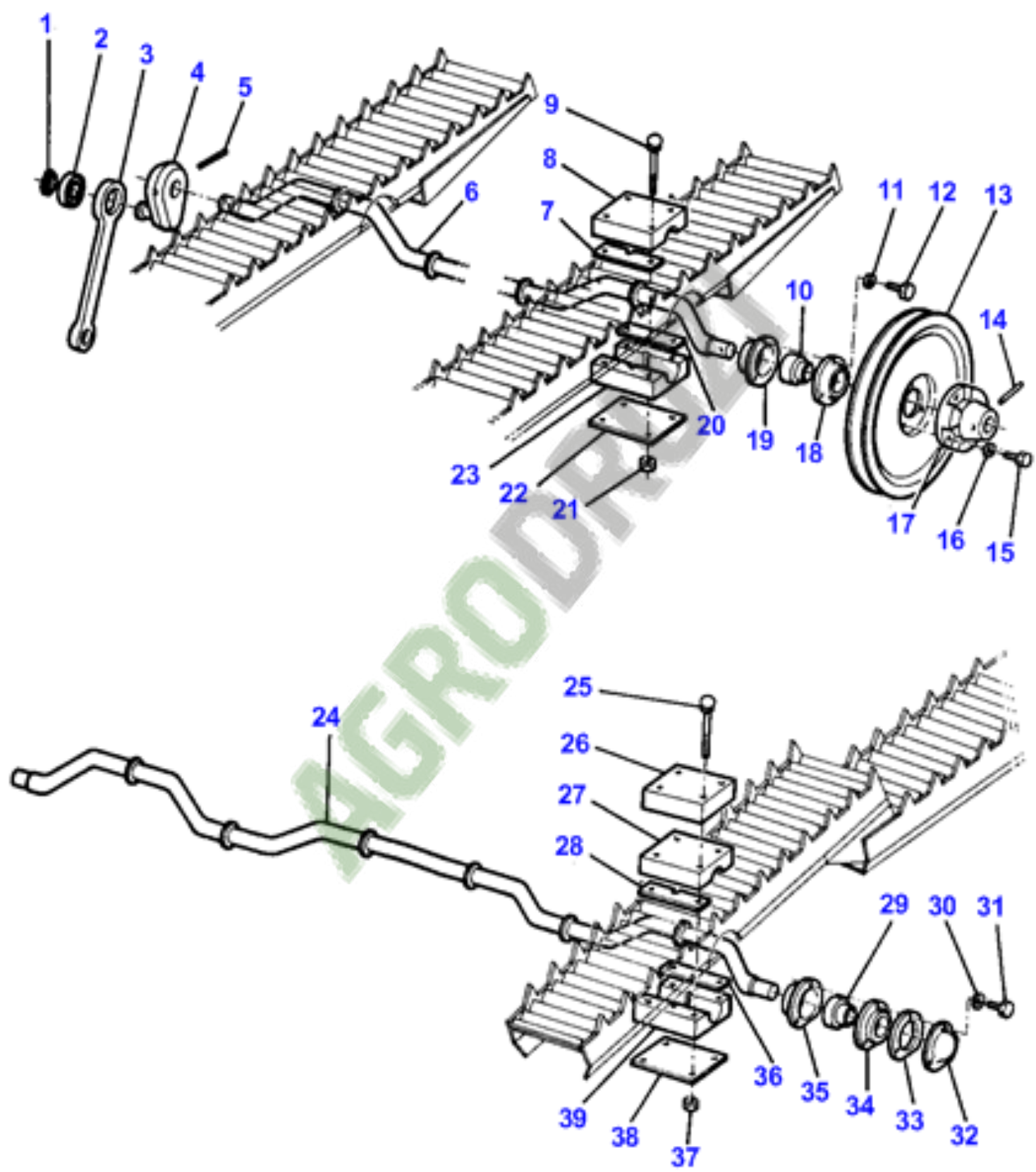
1-2560-012.

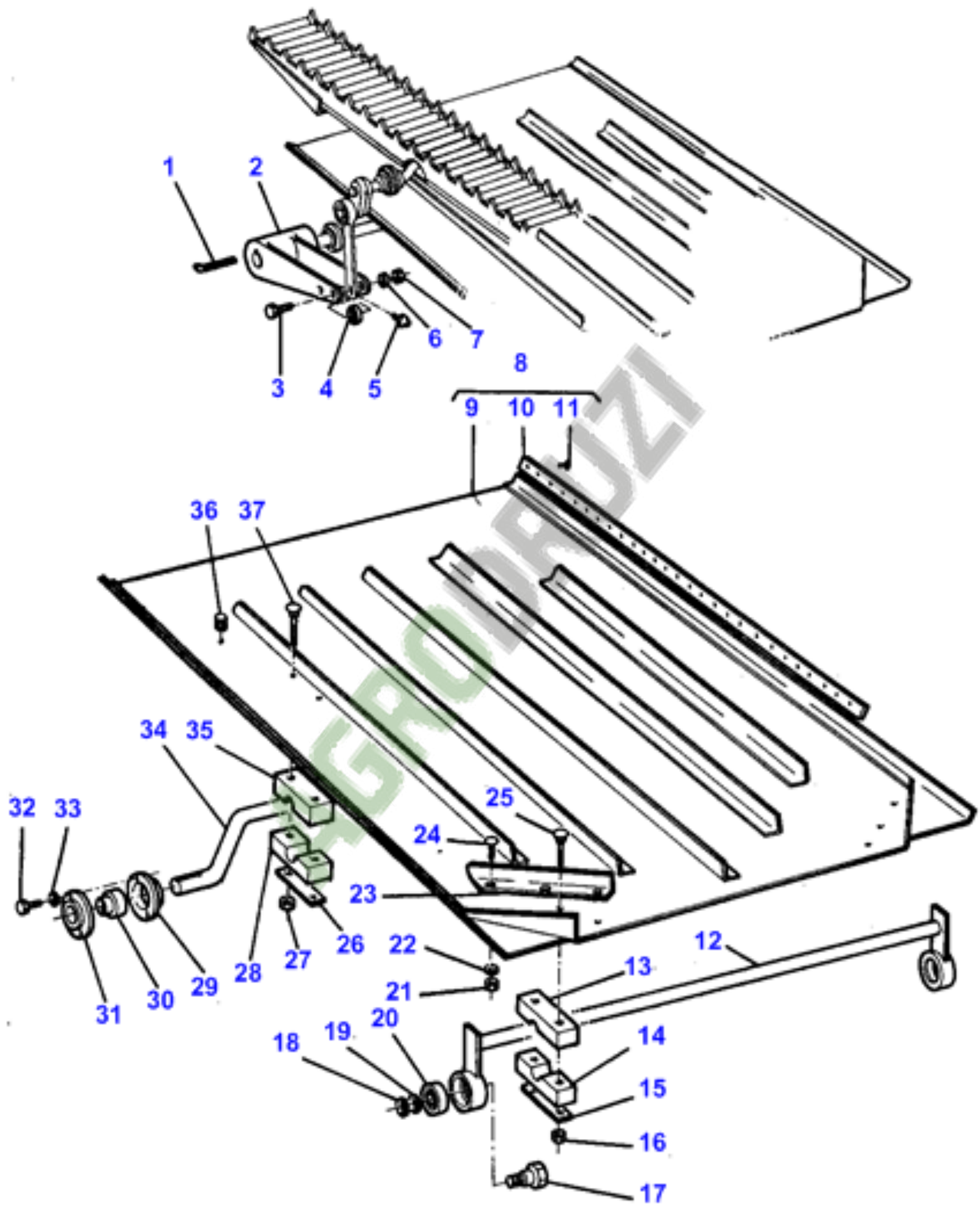


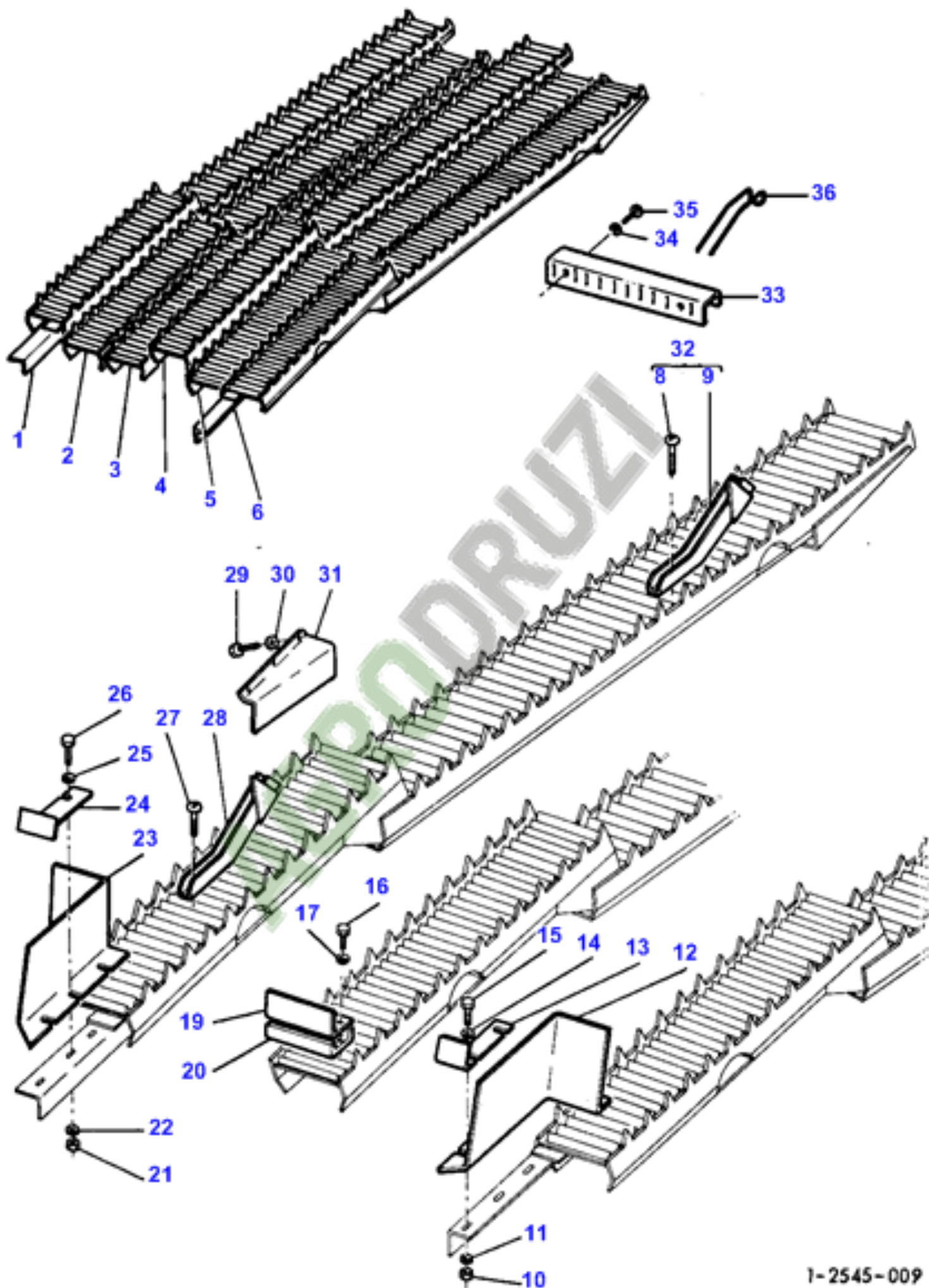




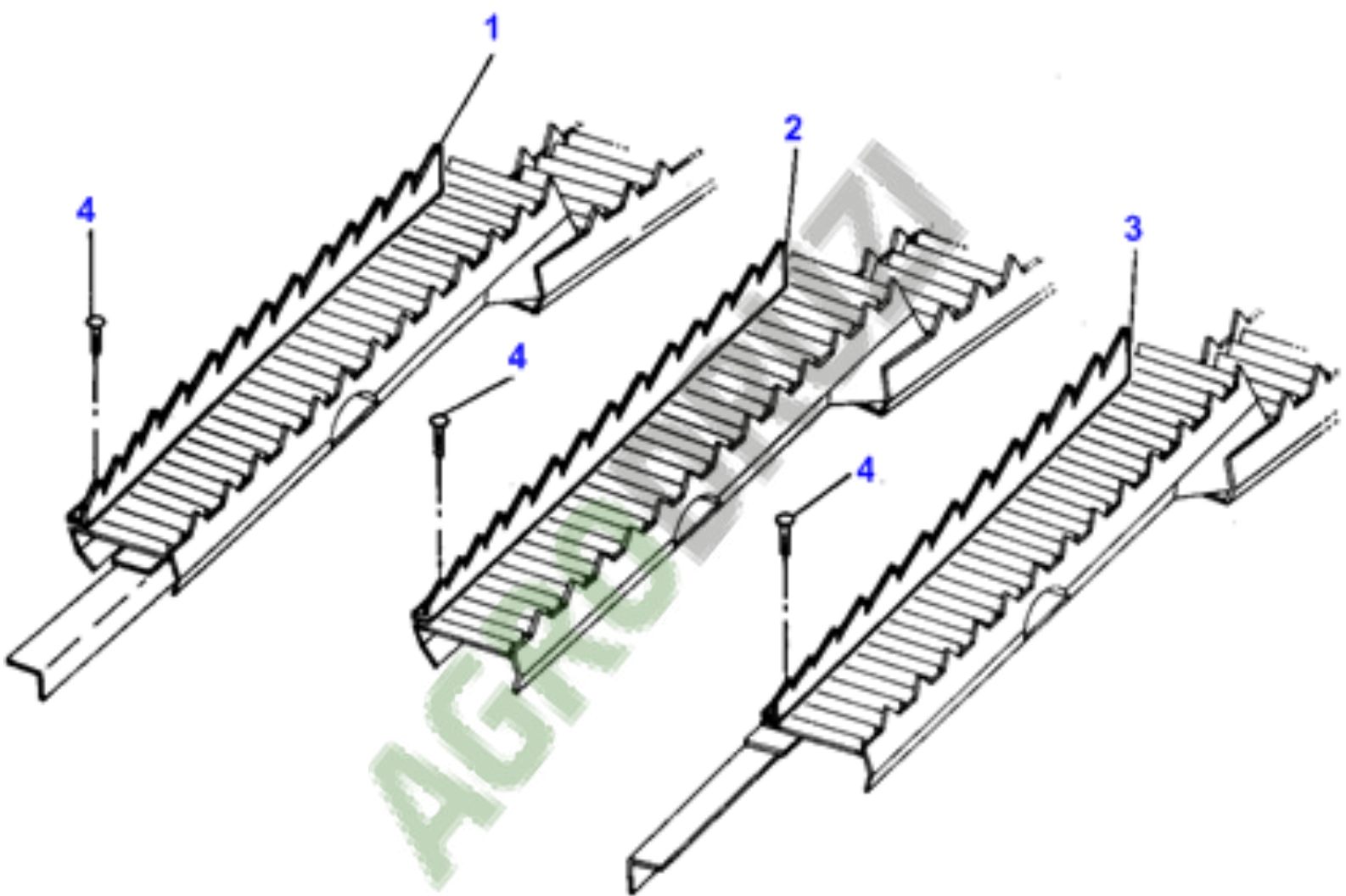


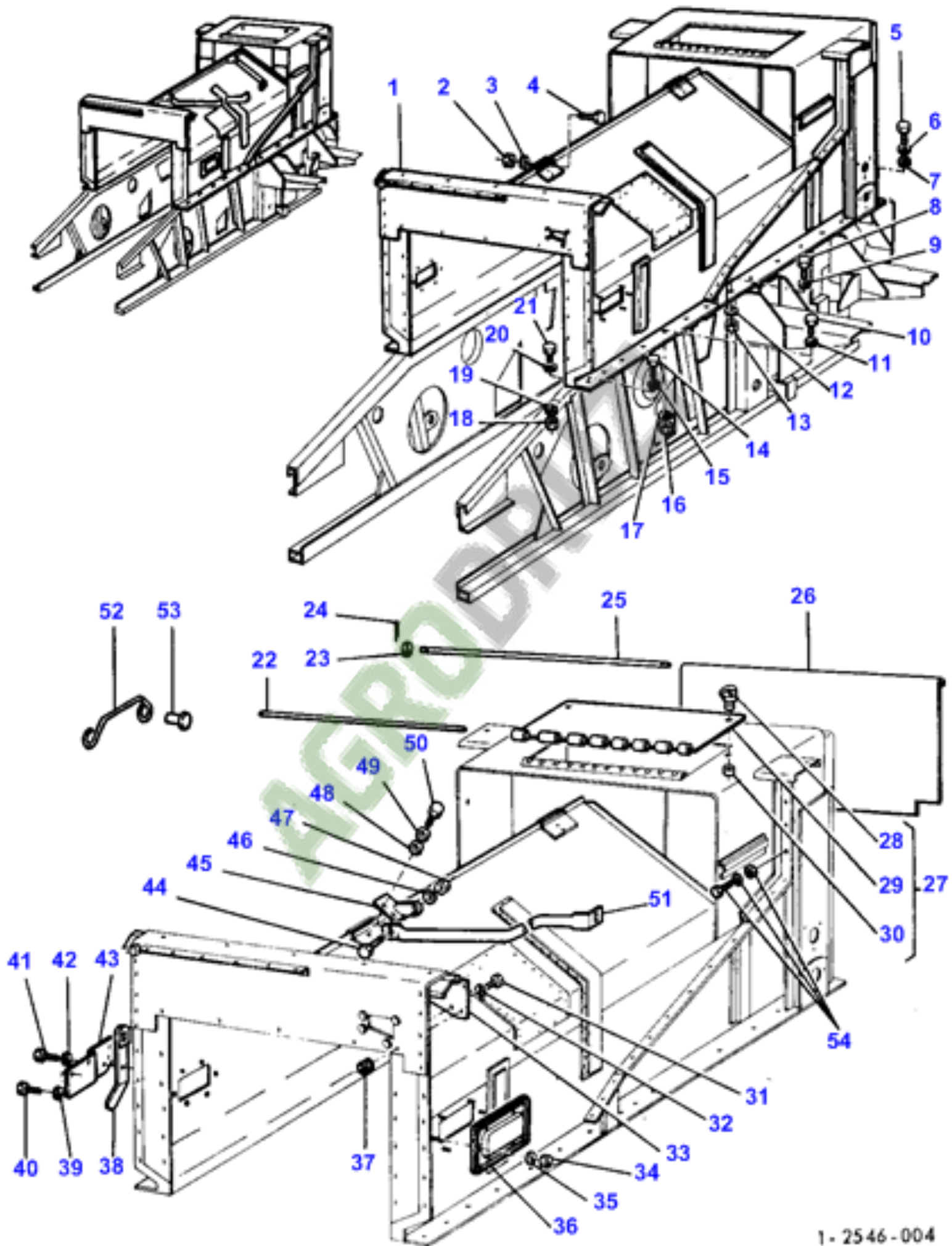




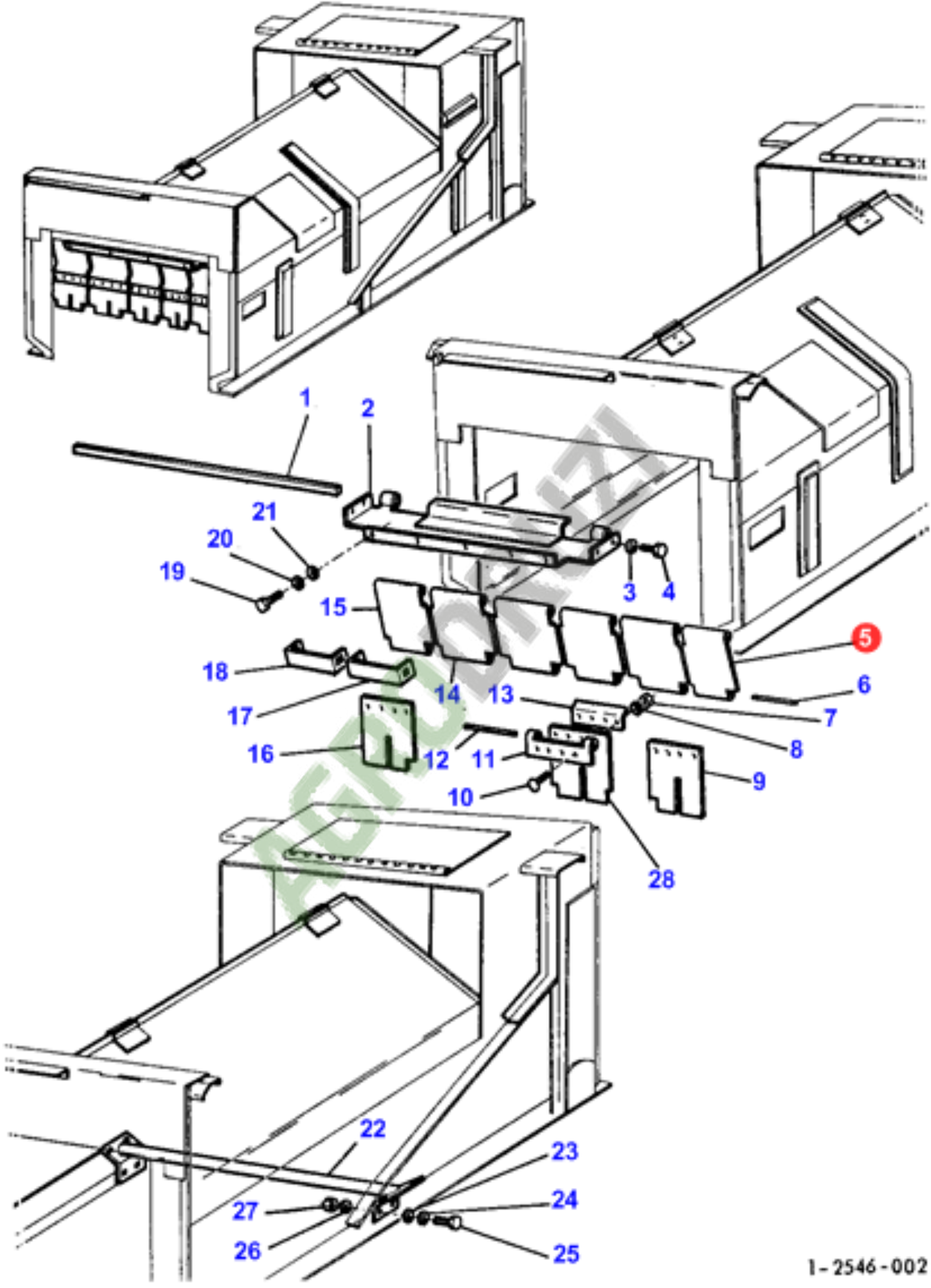


1-2545-009

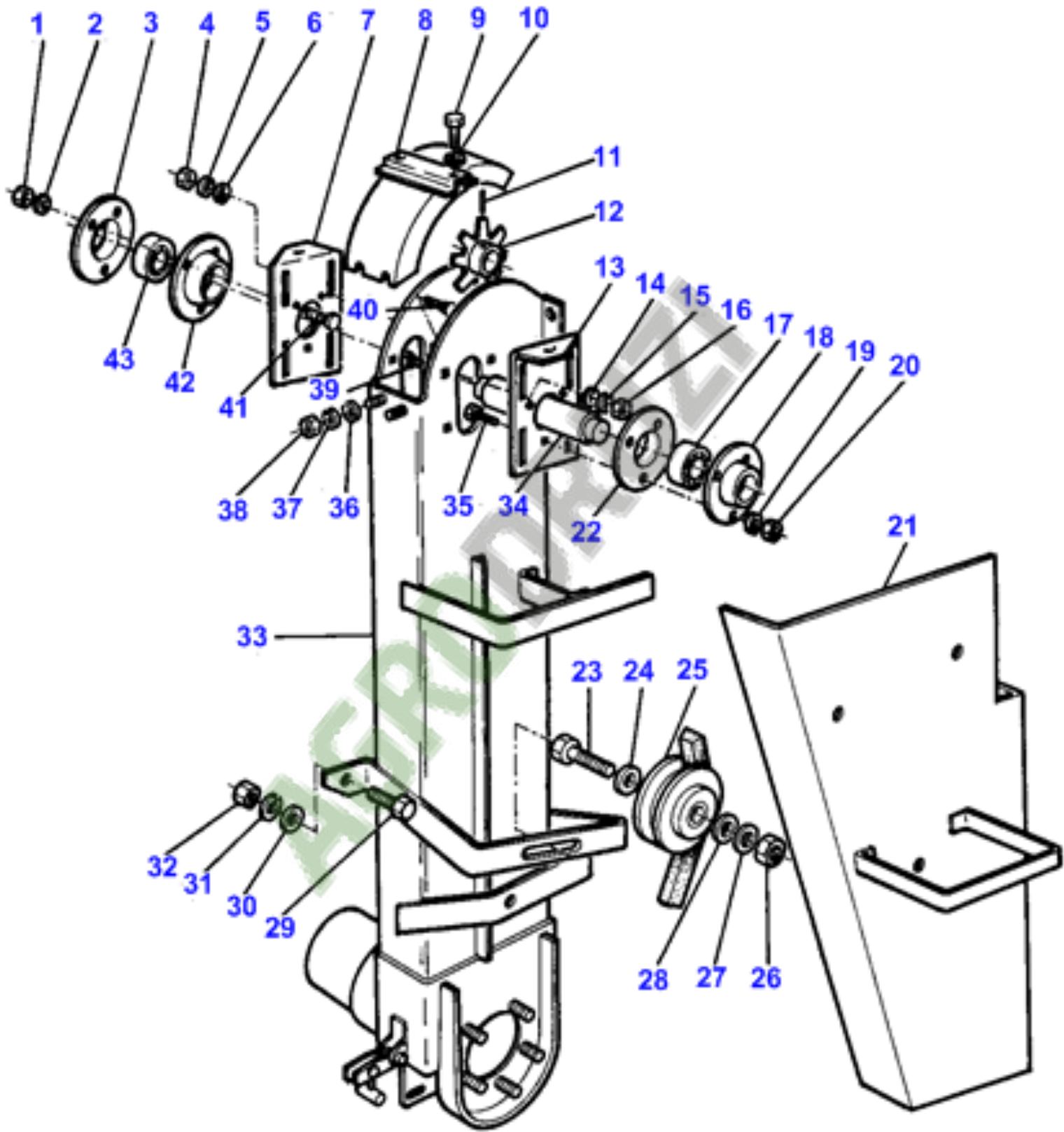


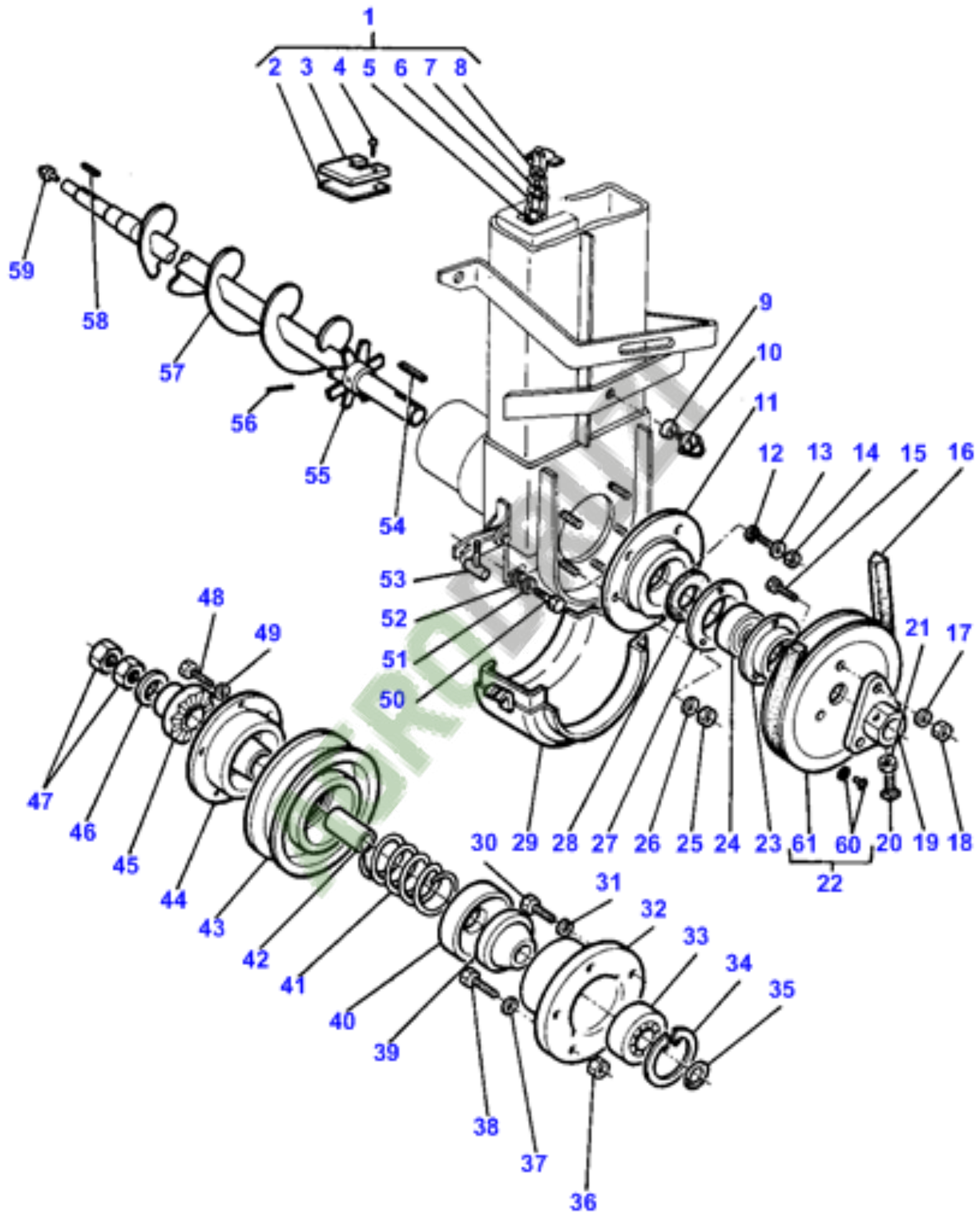


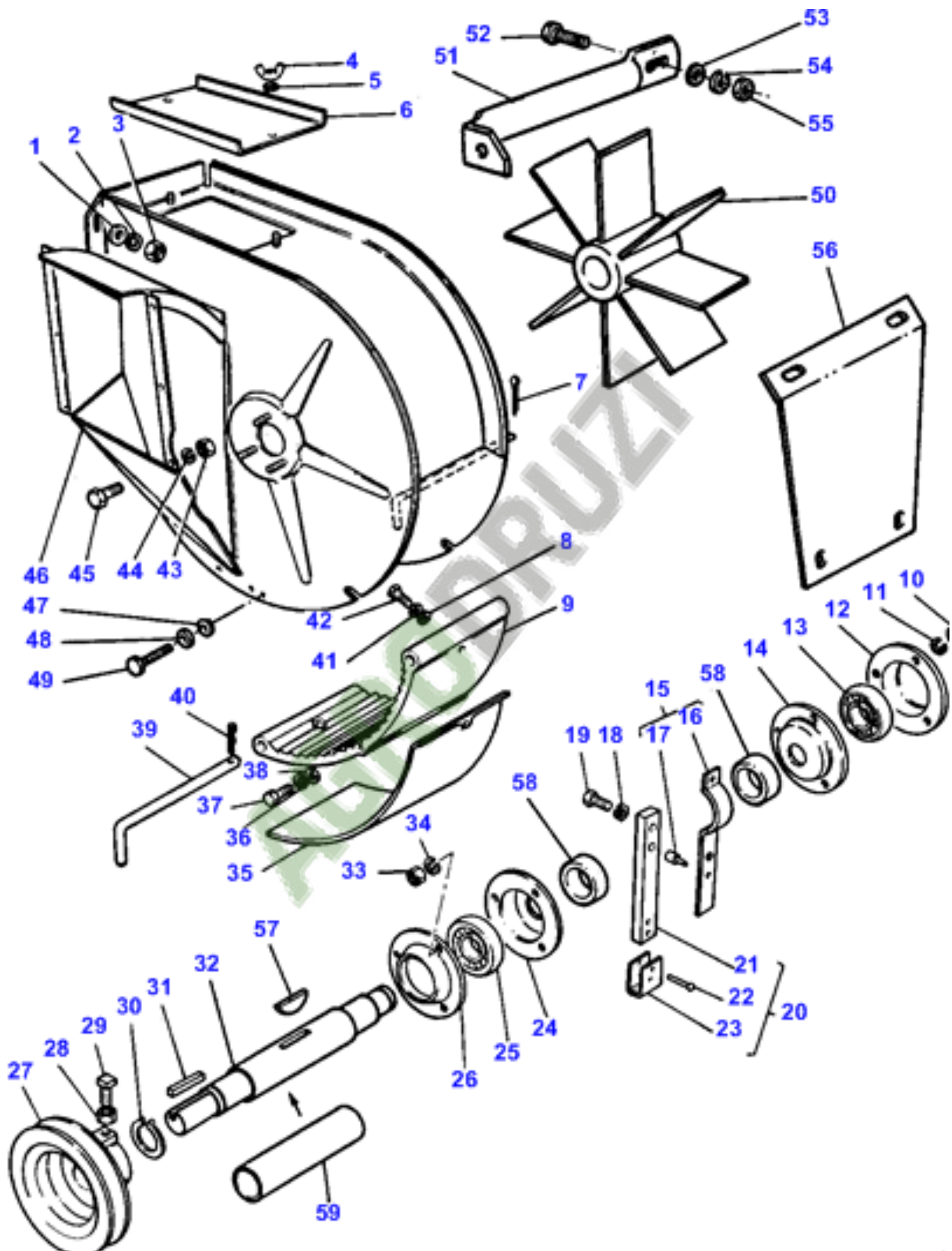
1-2546-004

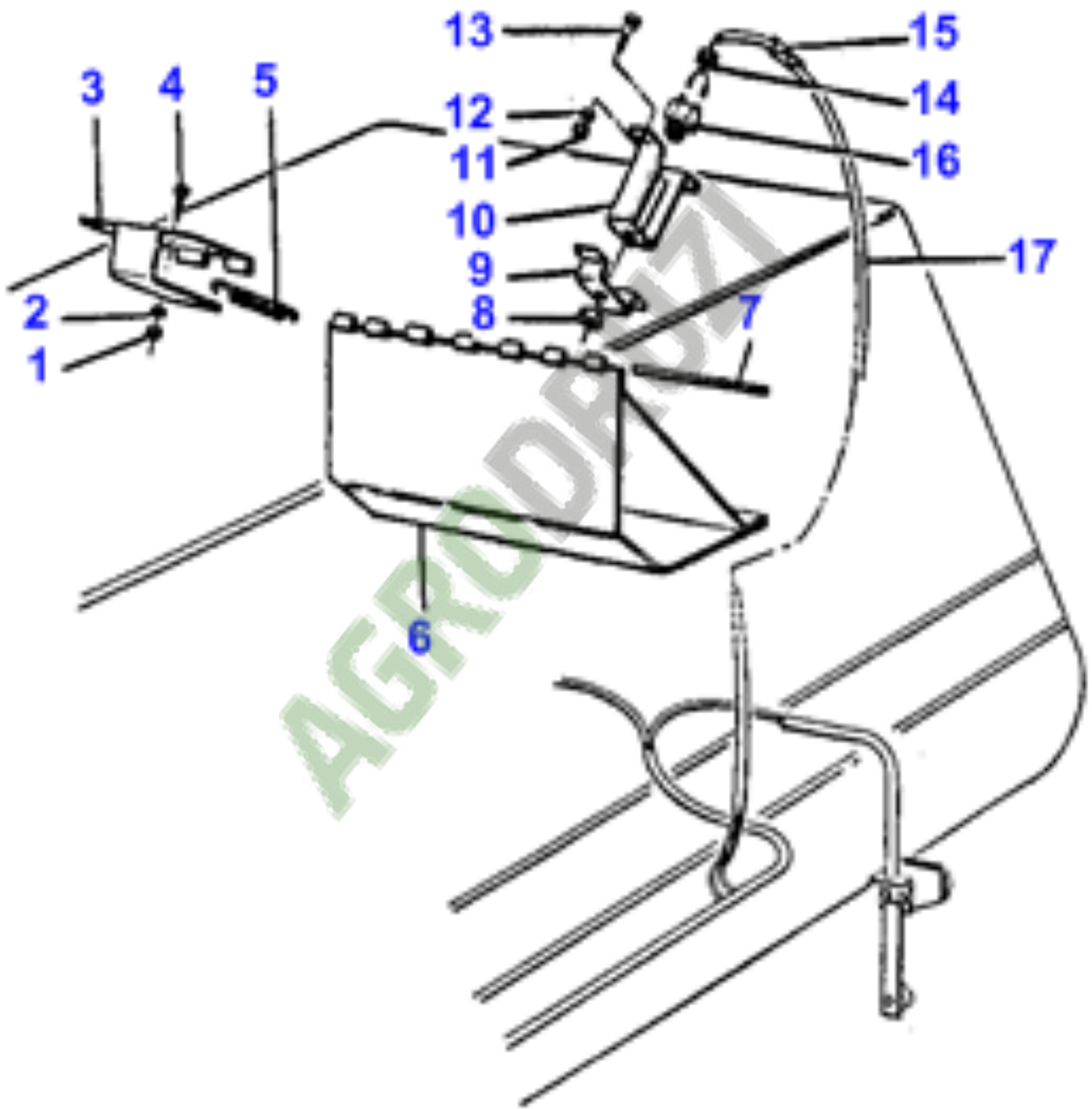


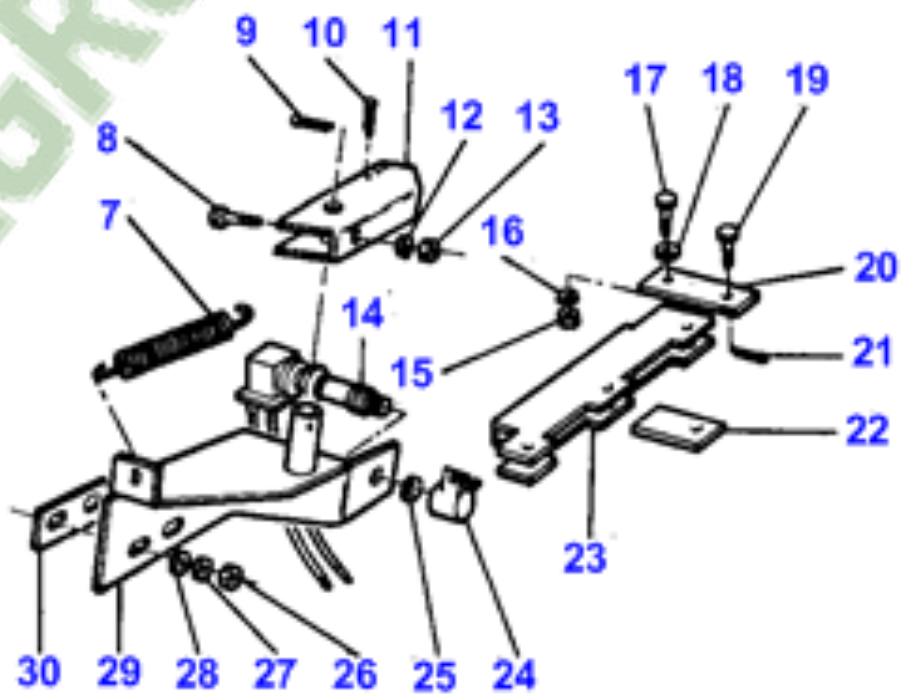
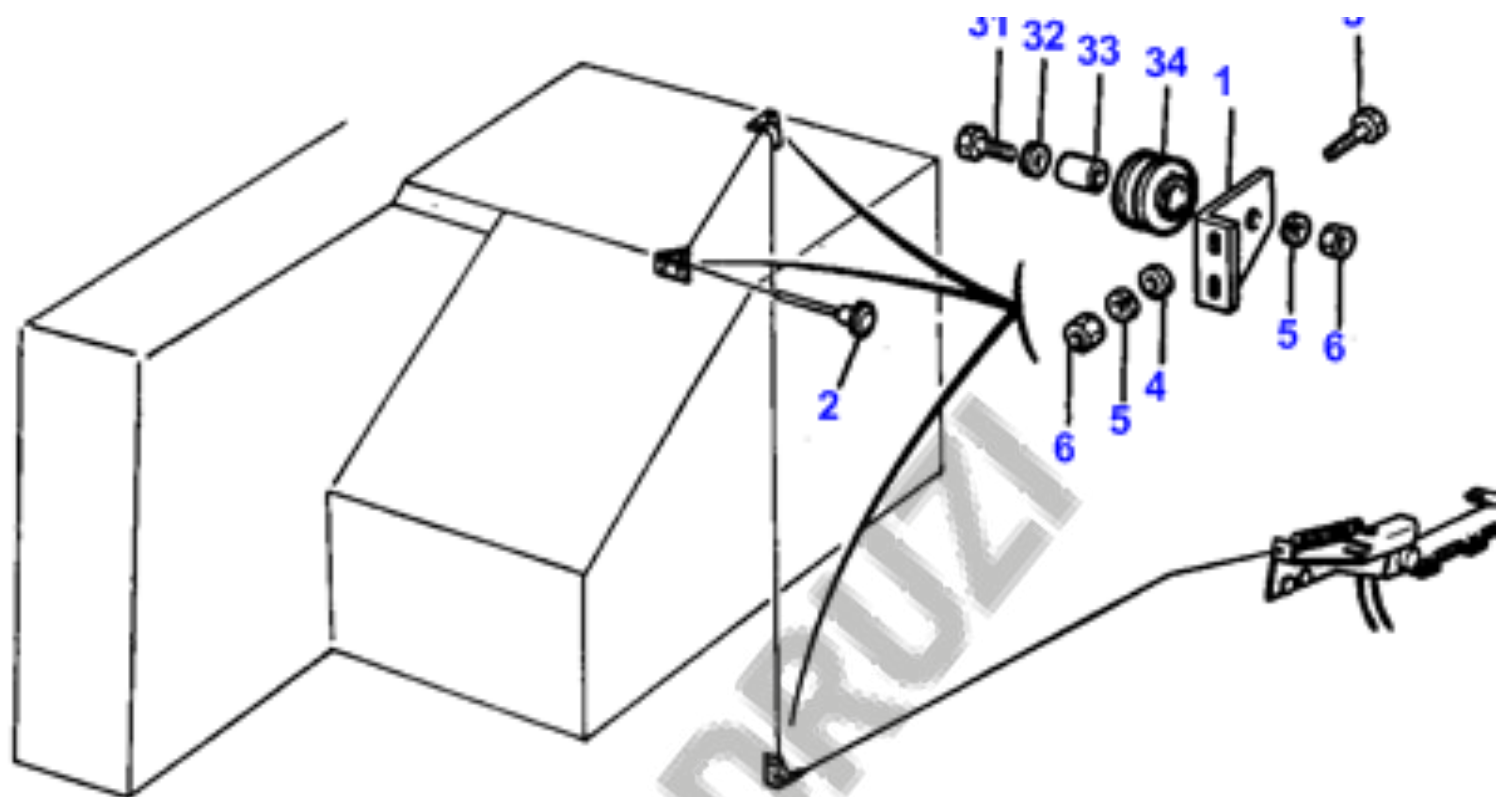
1-2546-002

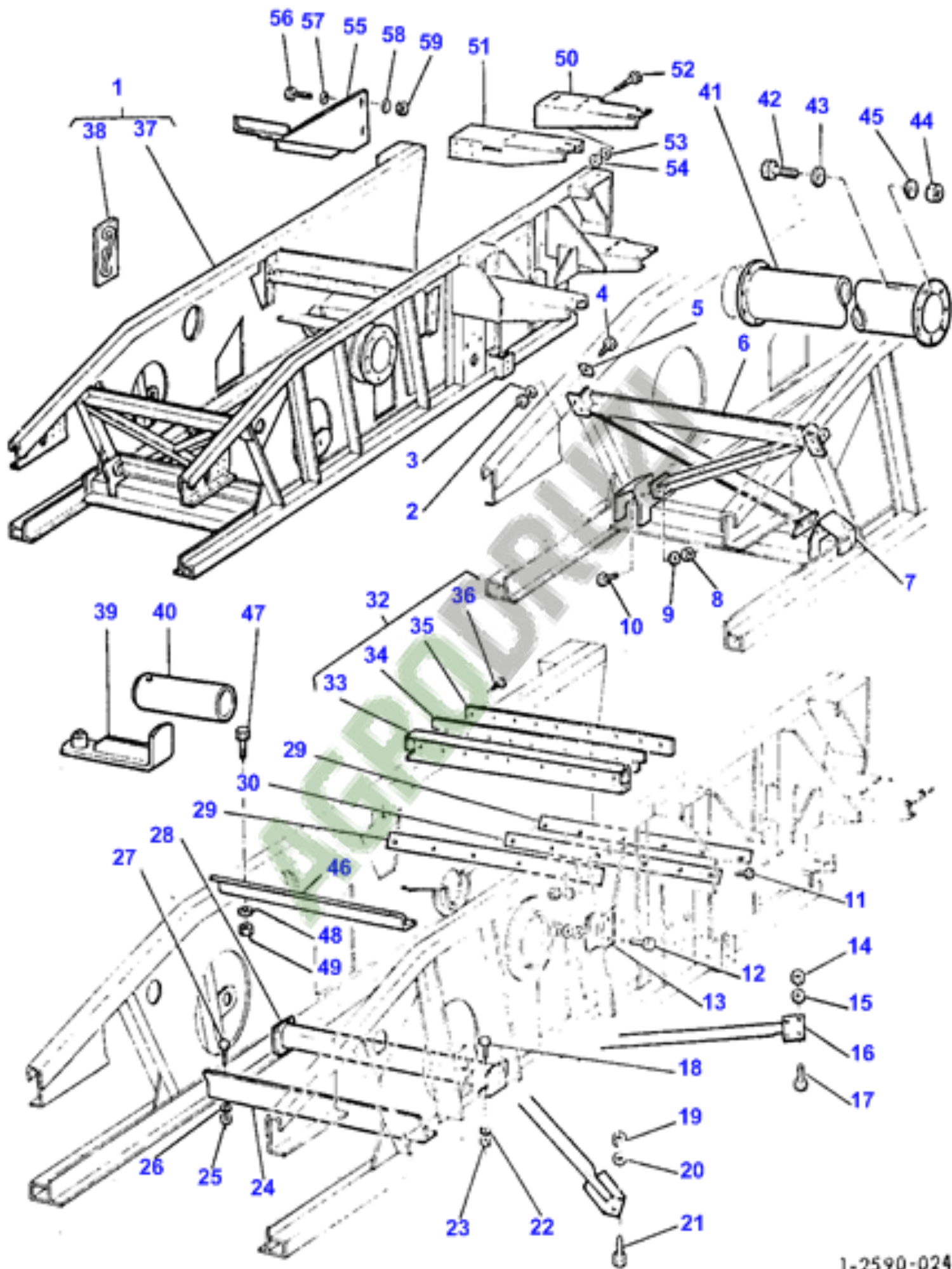




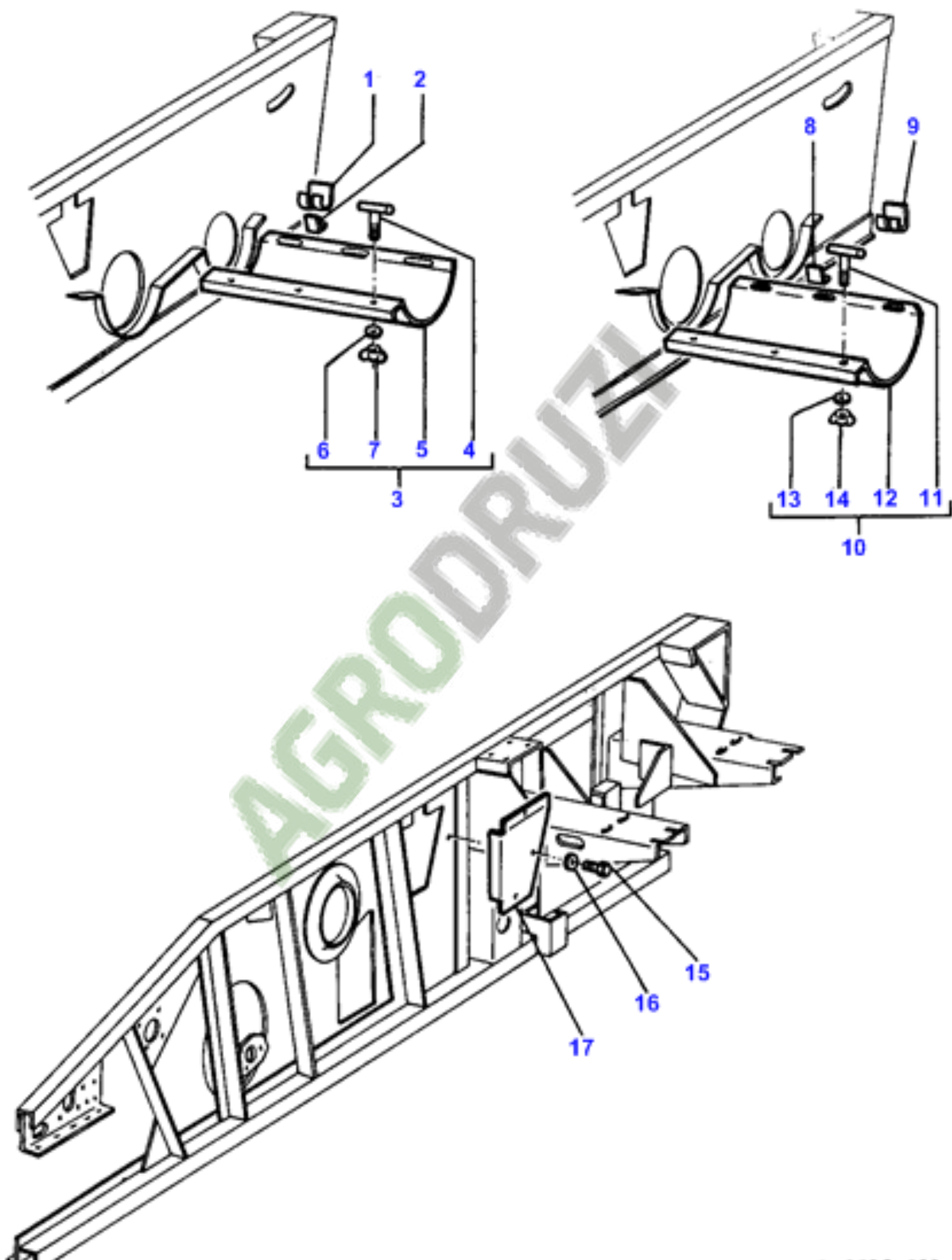


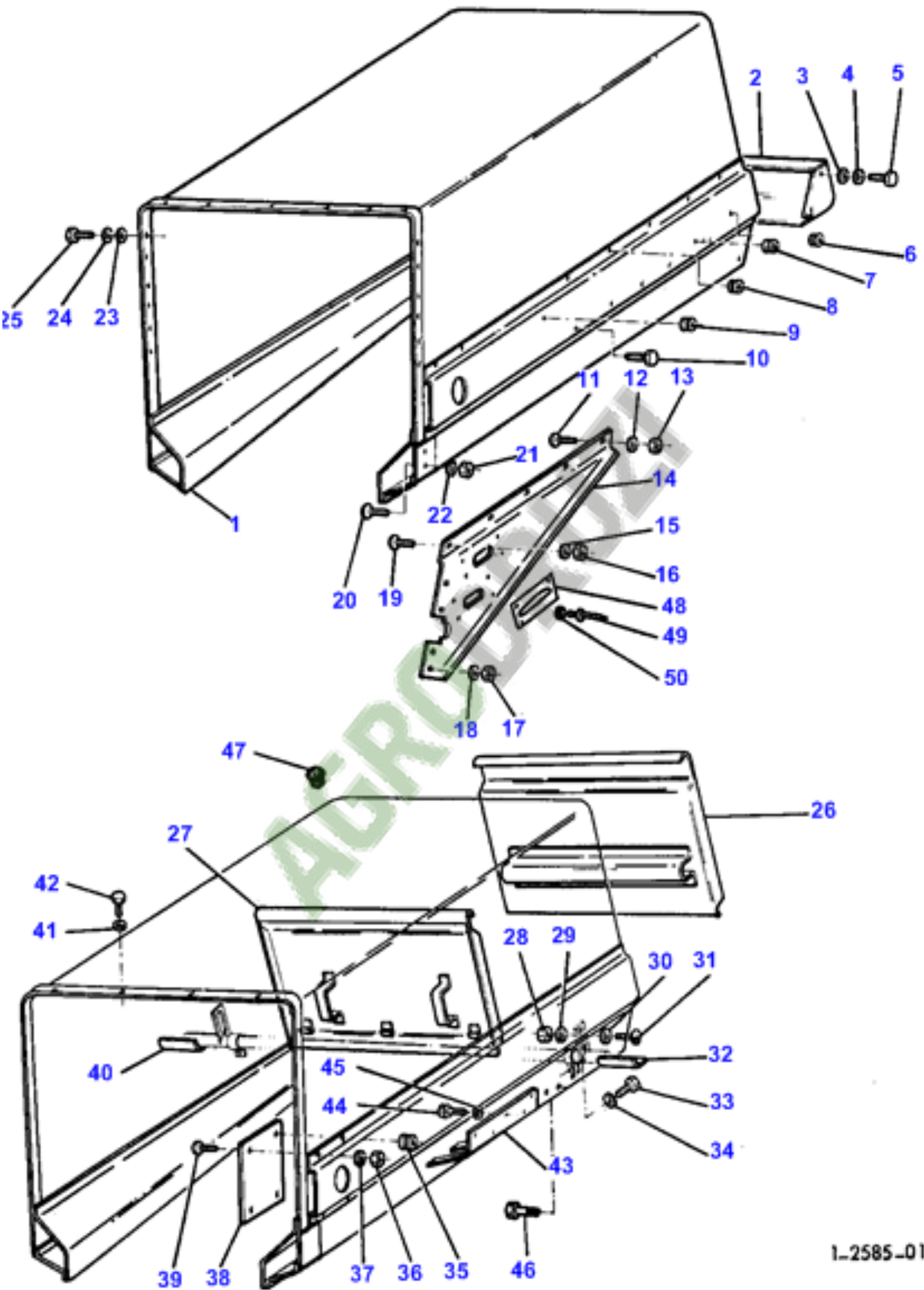




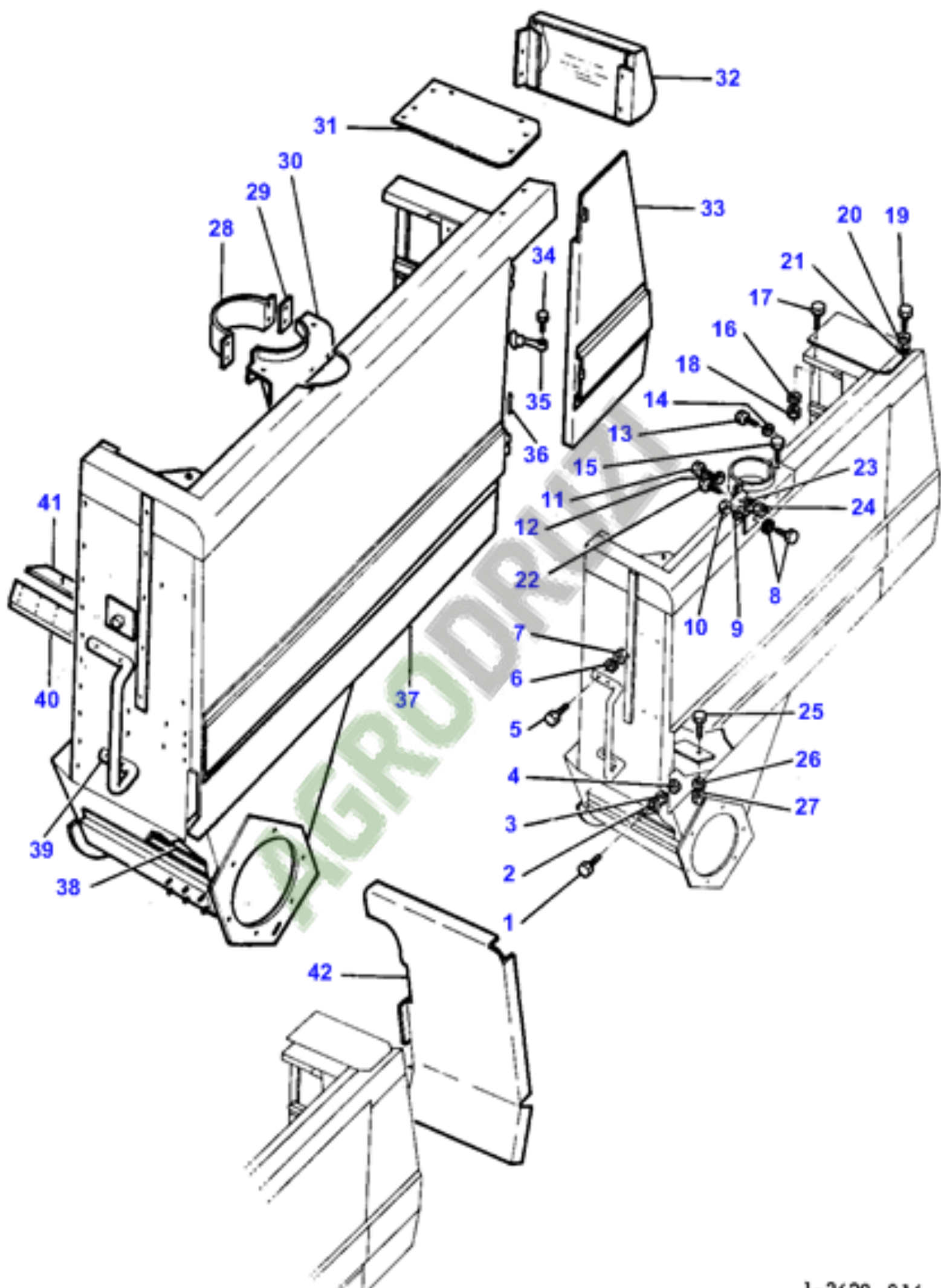


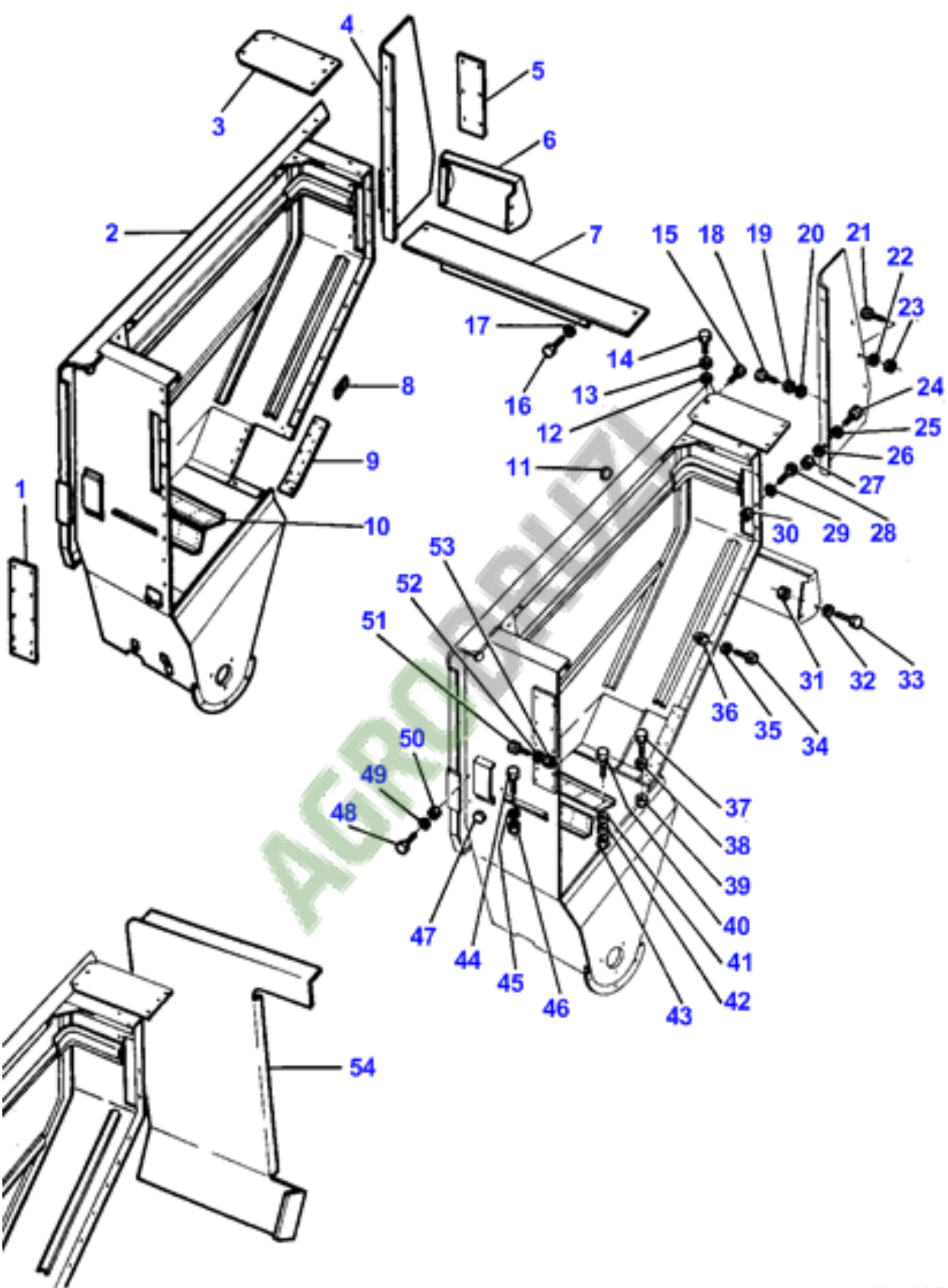
1-2590-024

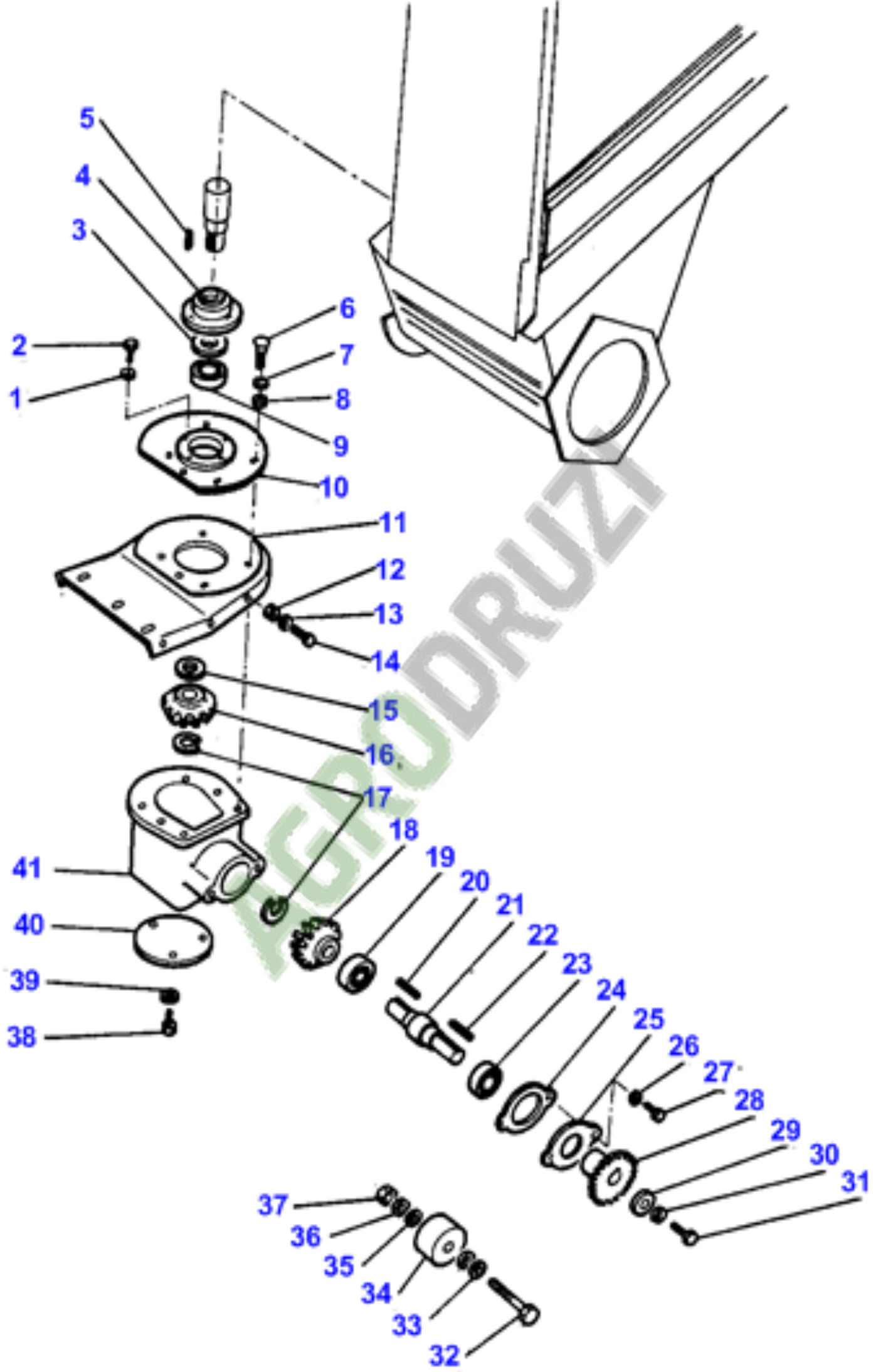


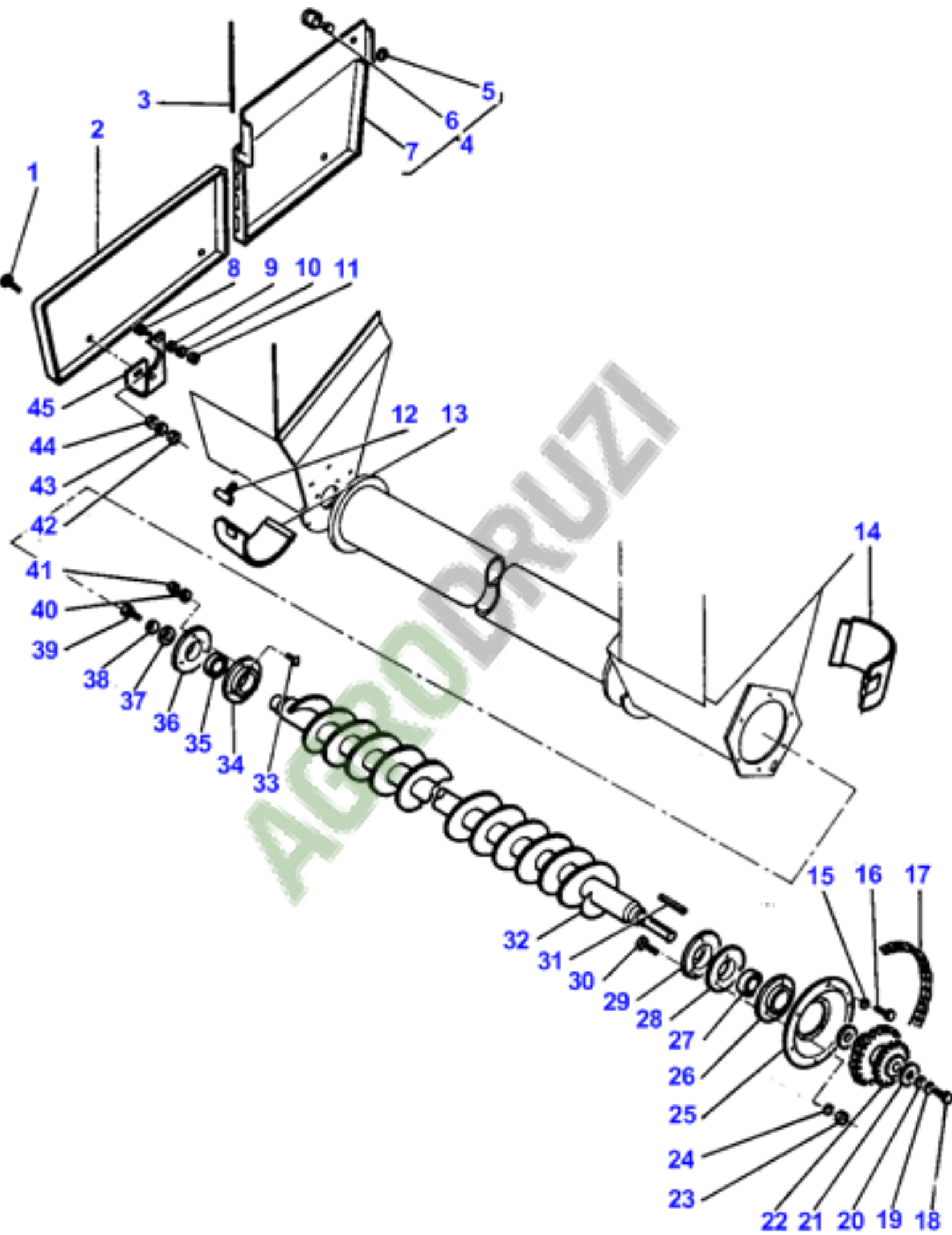


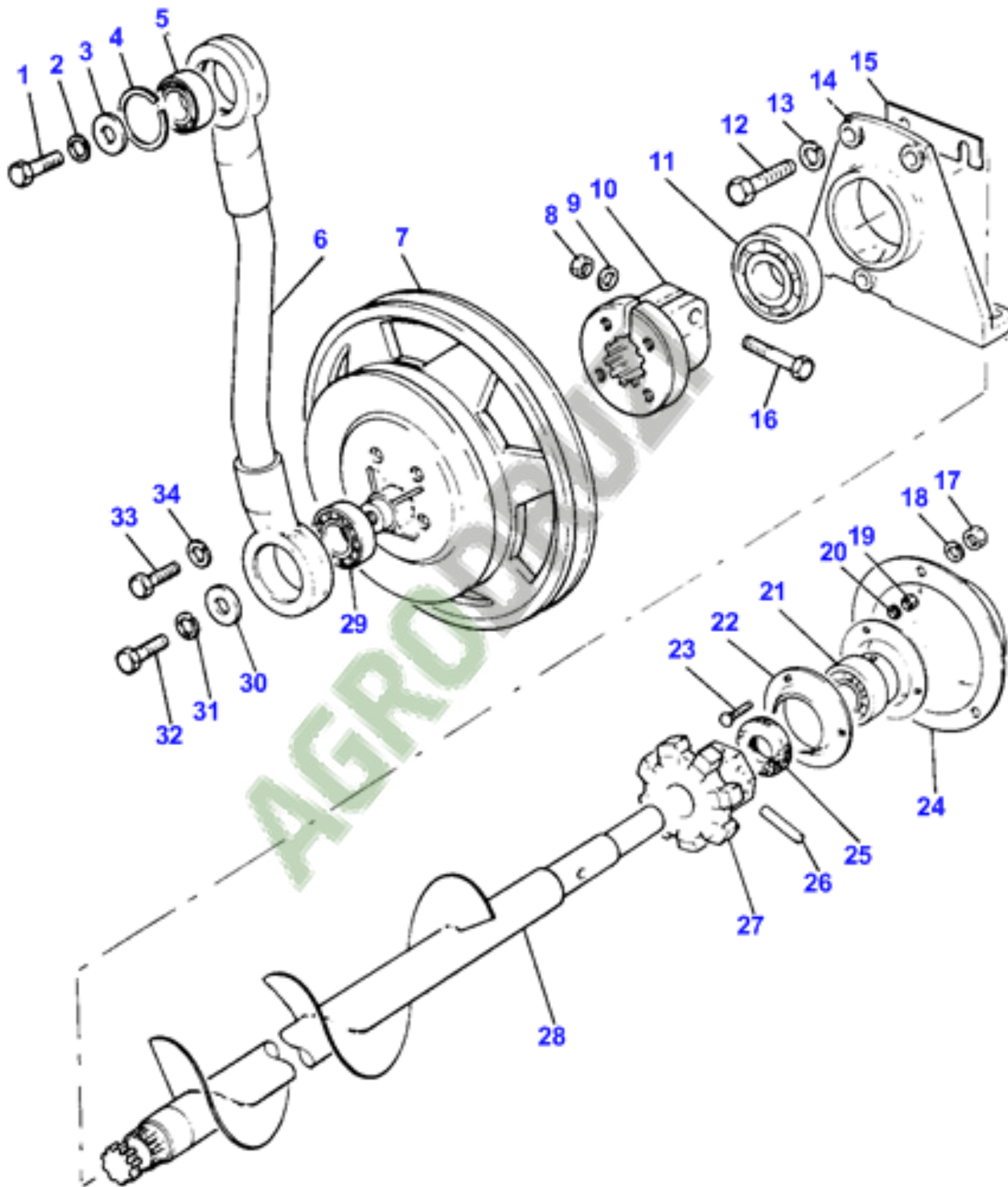
1-2585-010

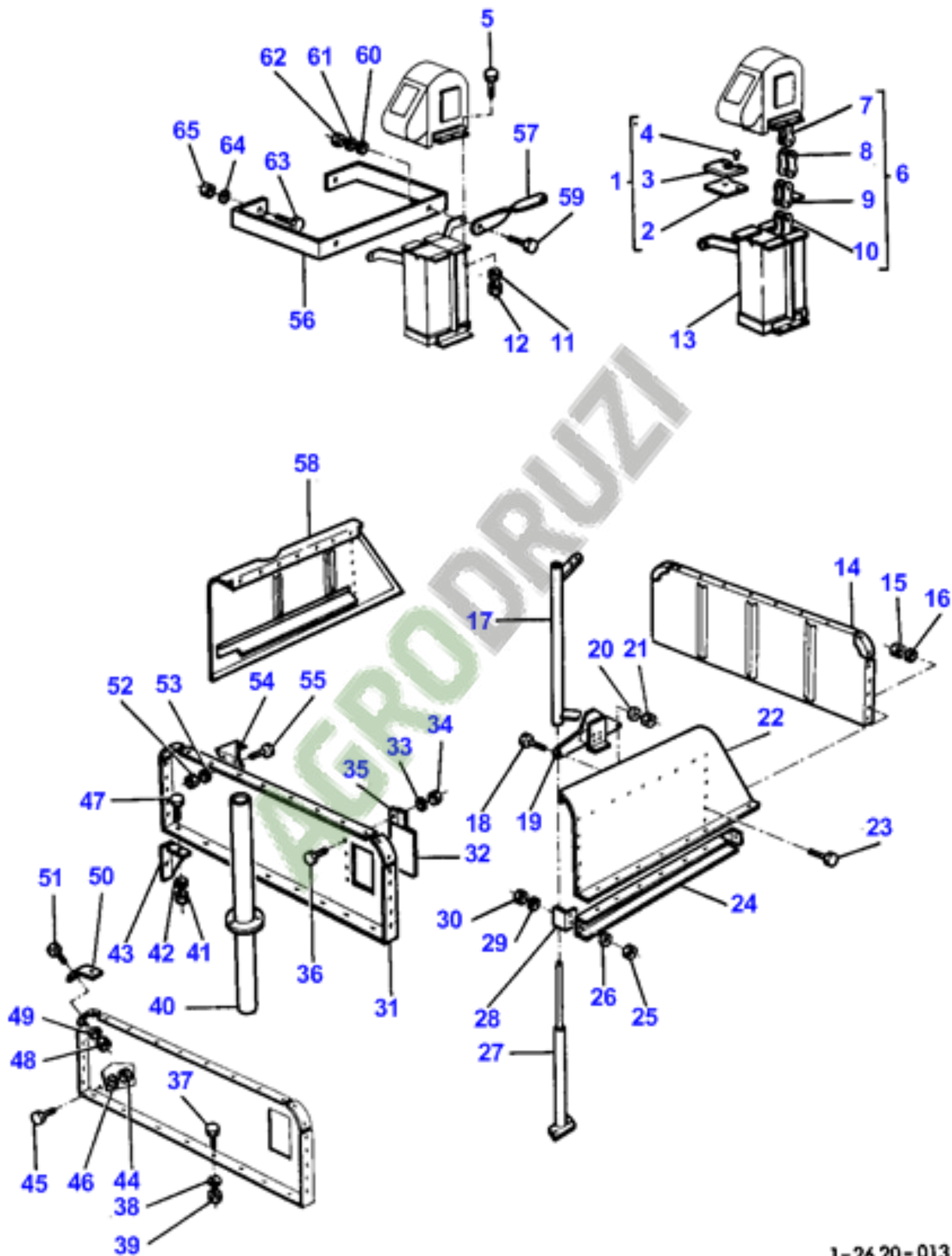




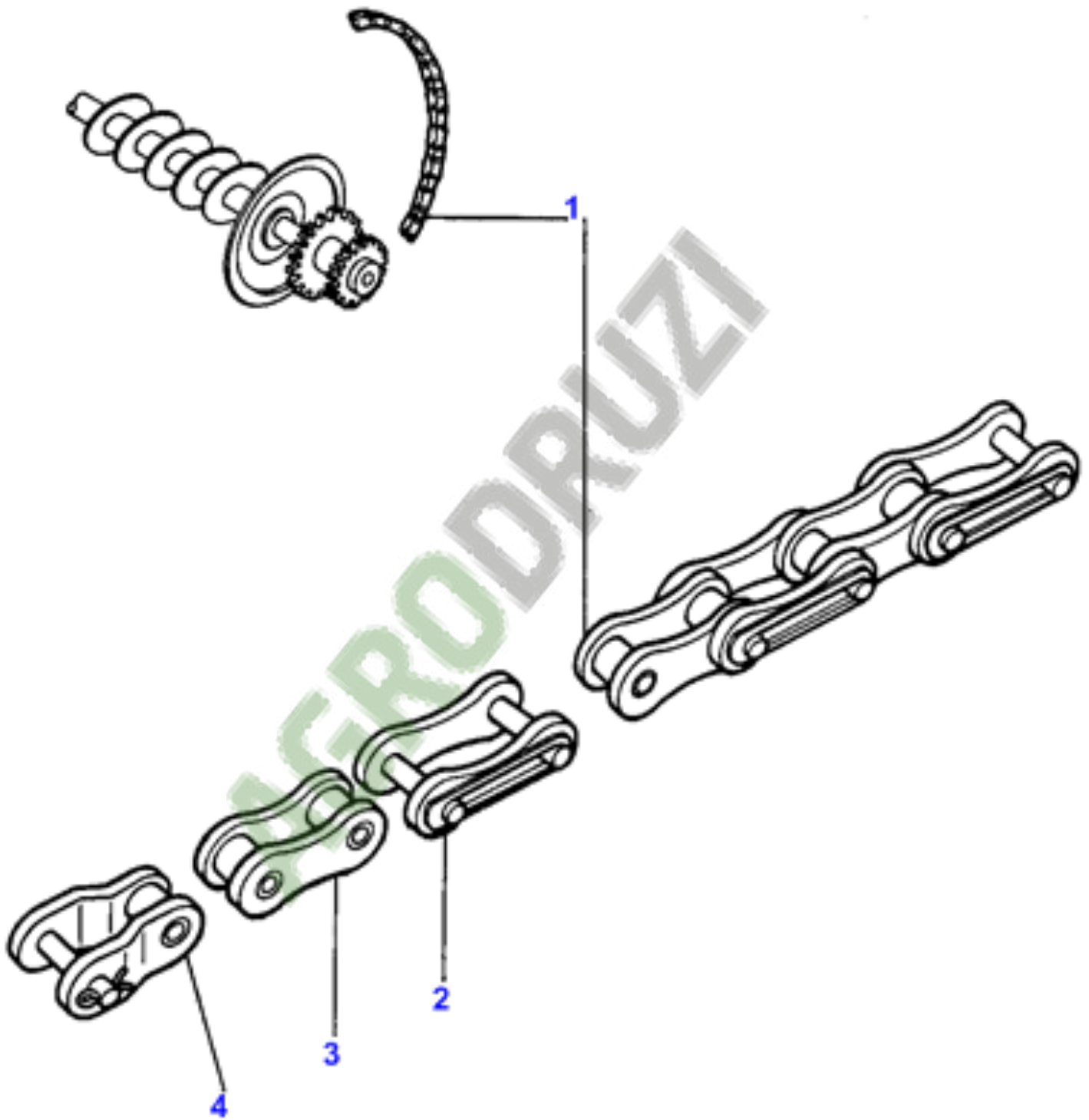


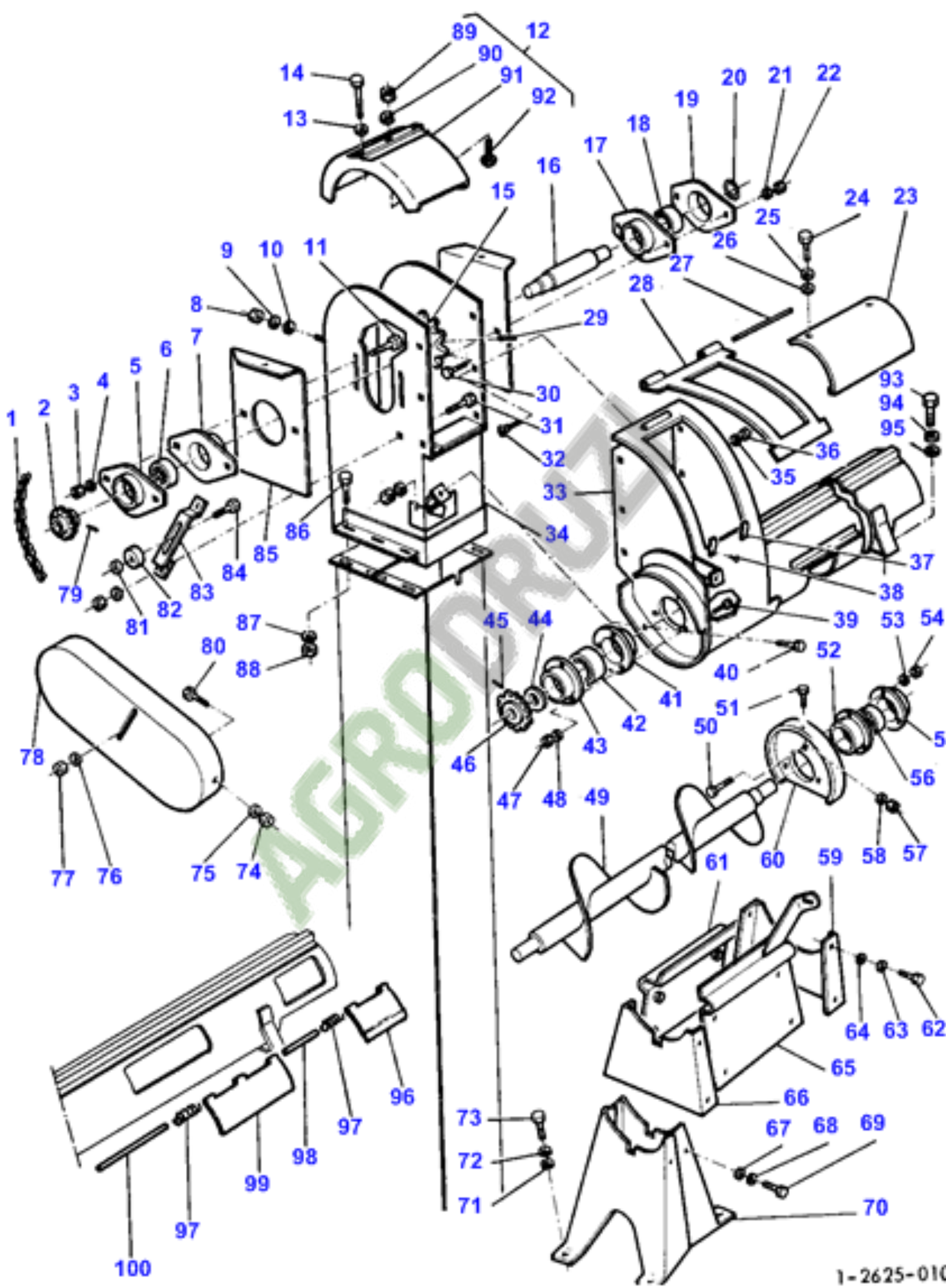




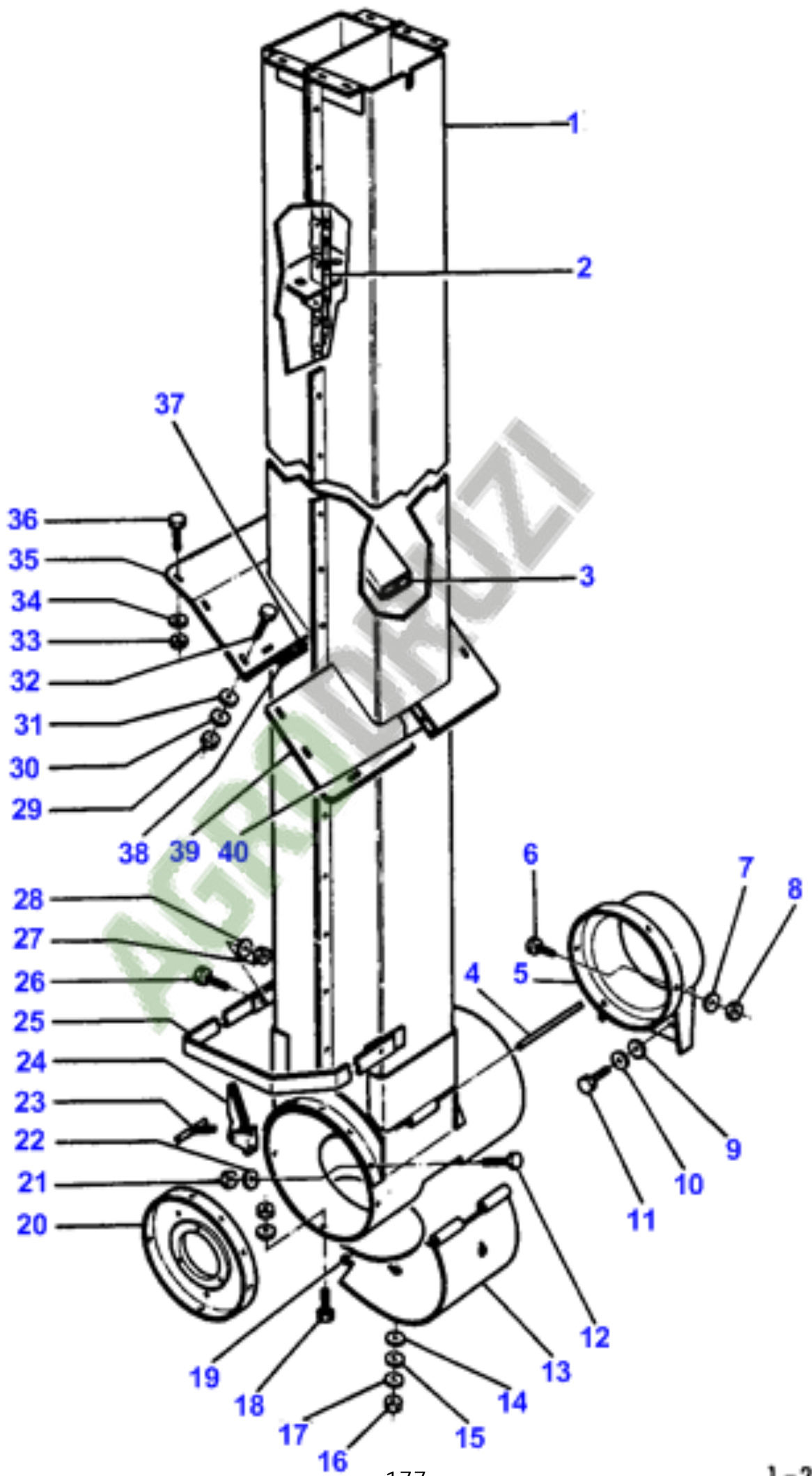


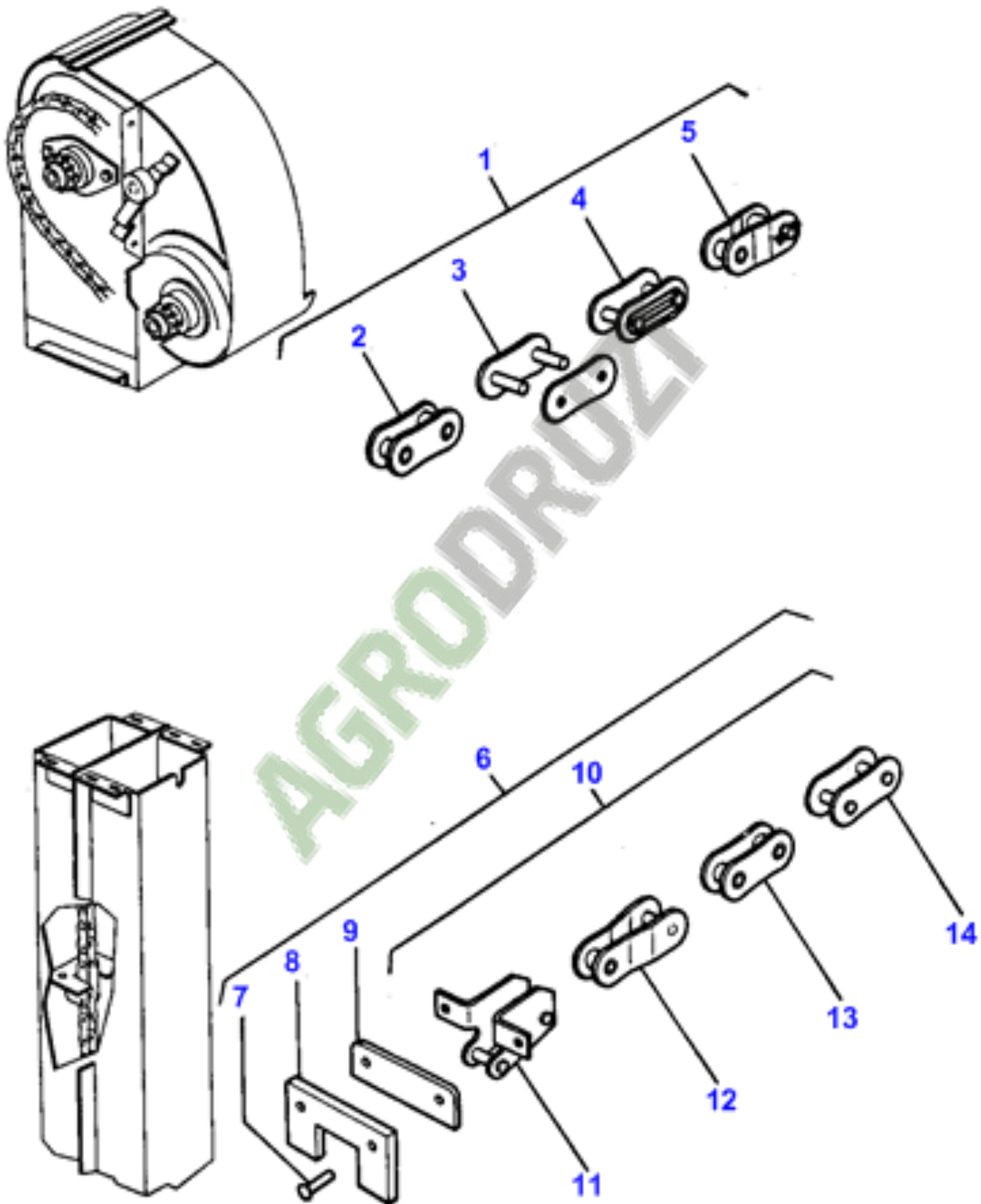
1-26 20-013

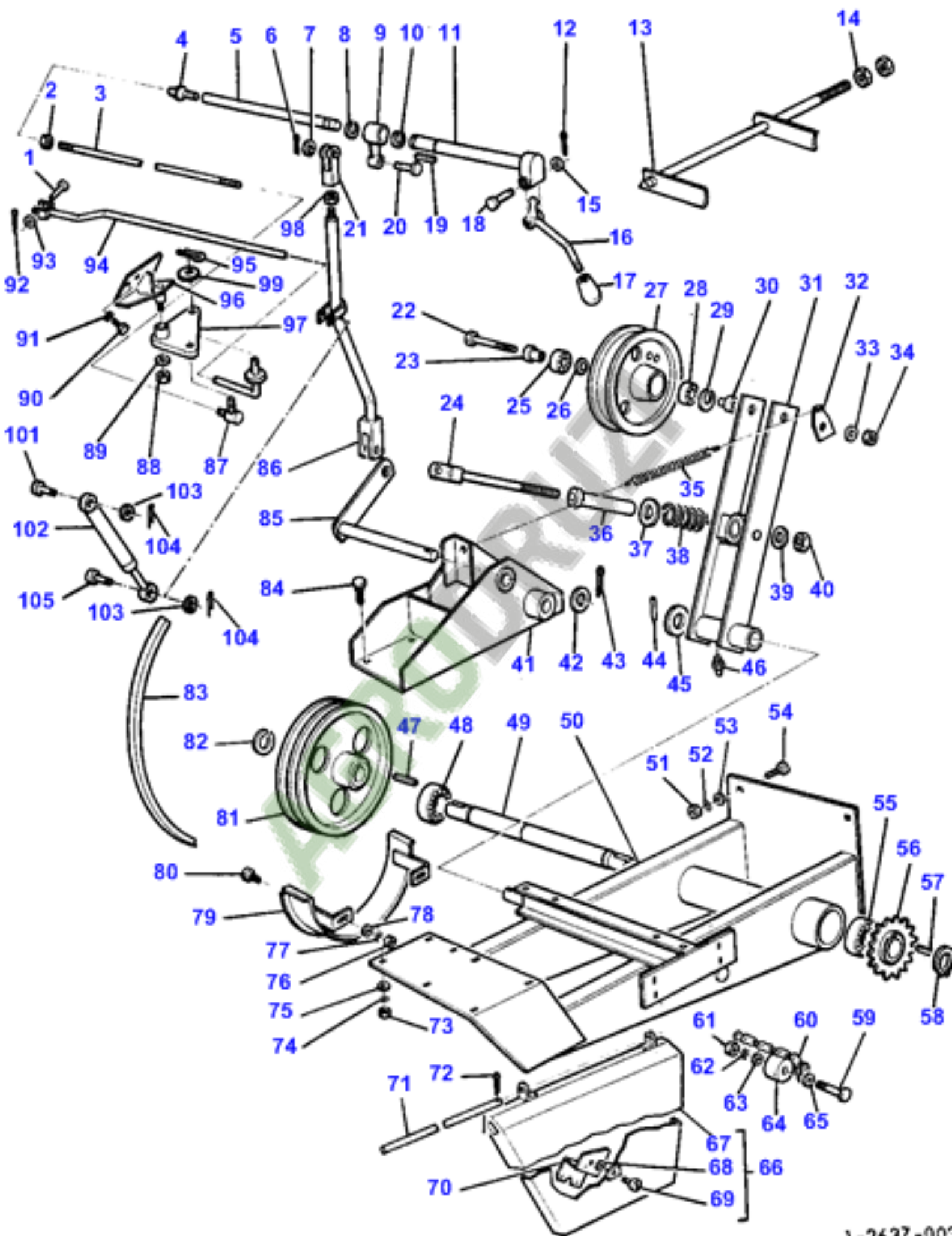




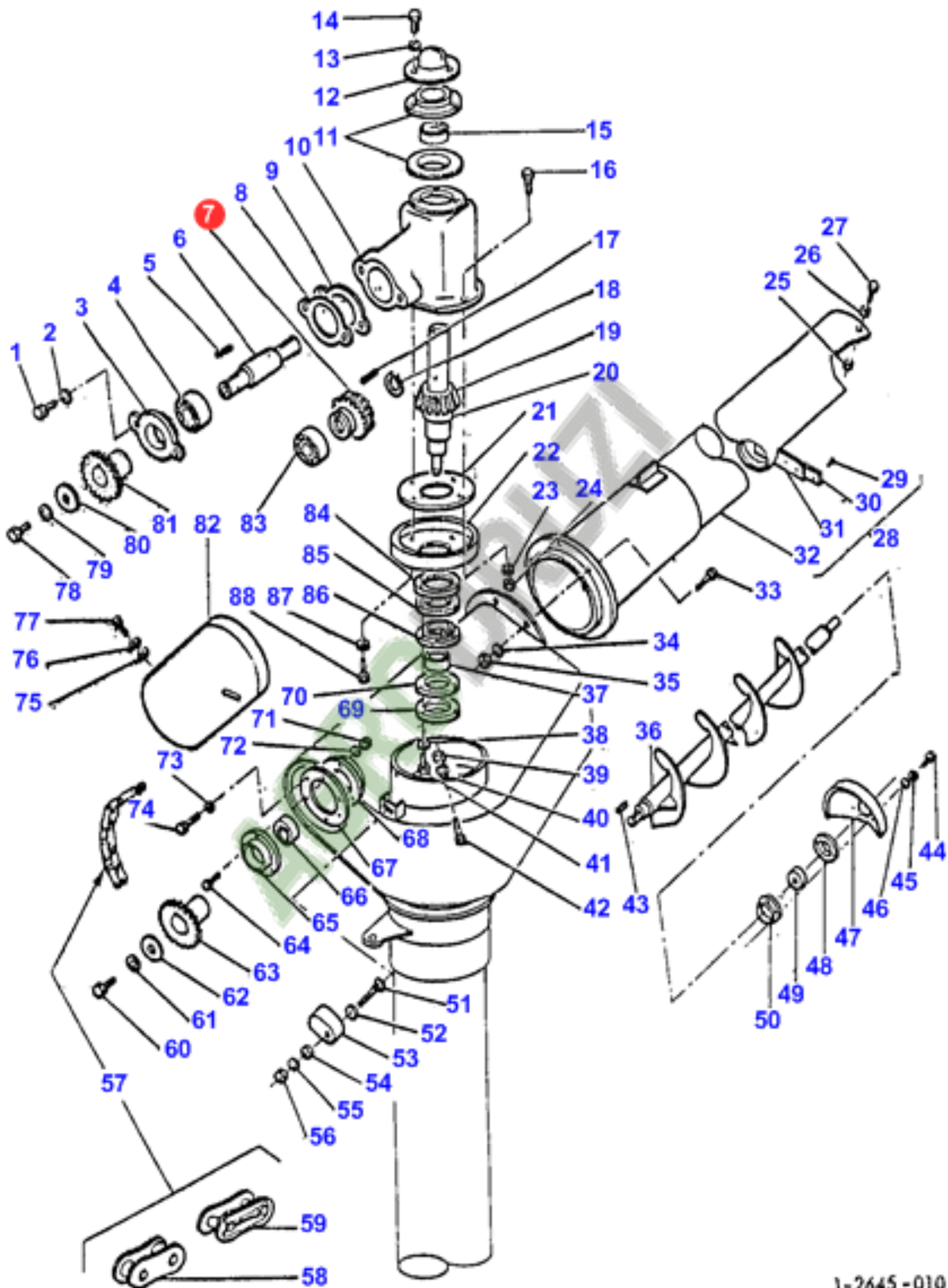
1-2625-010



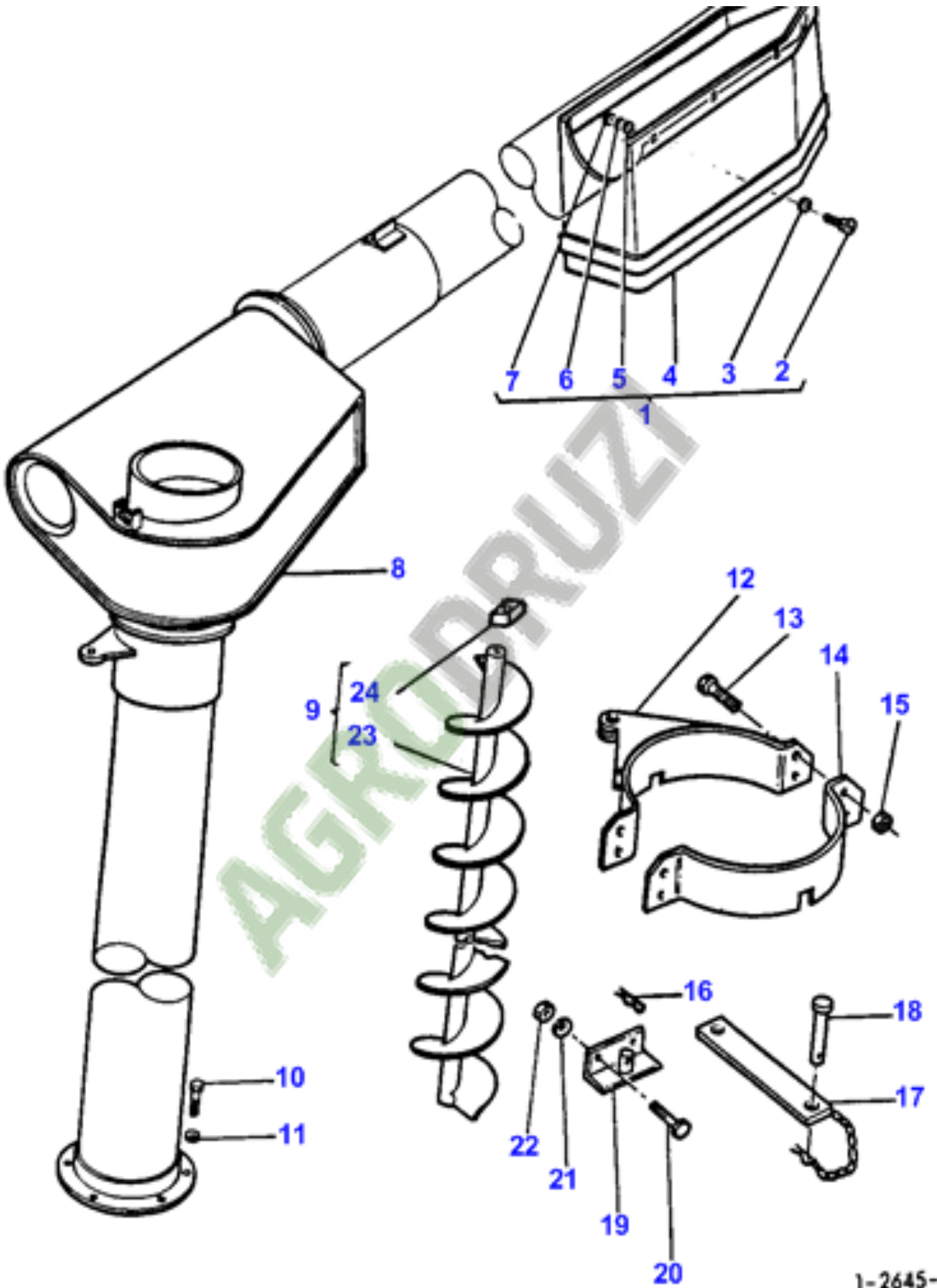




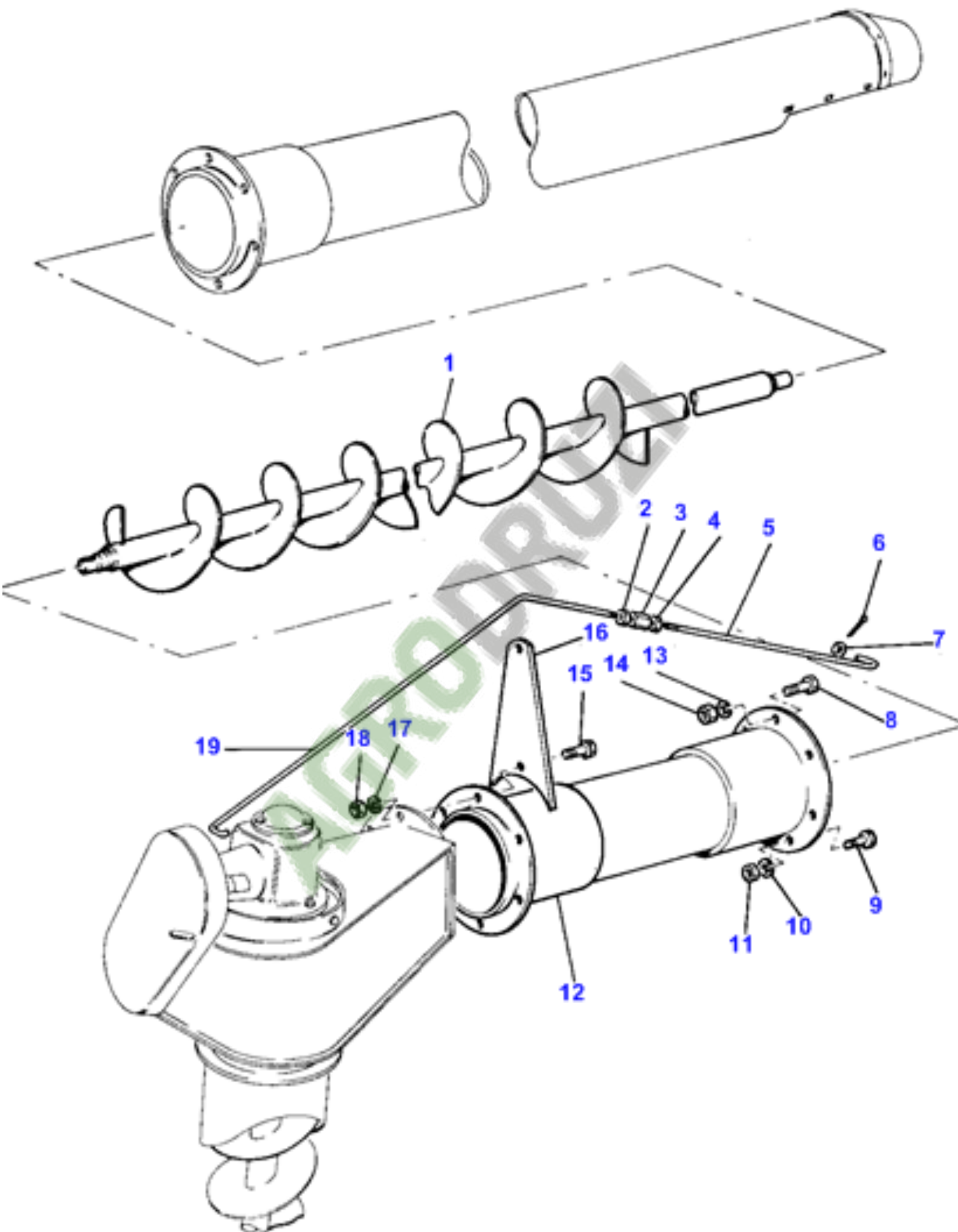
1-2637-003

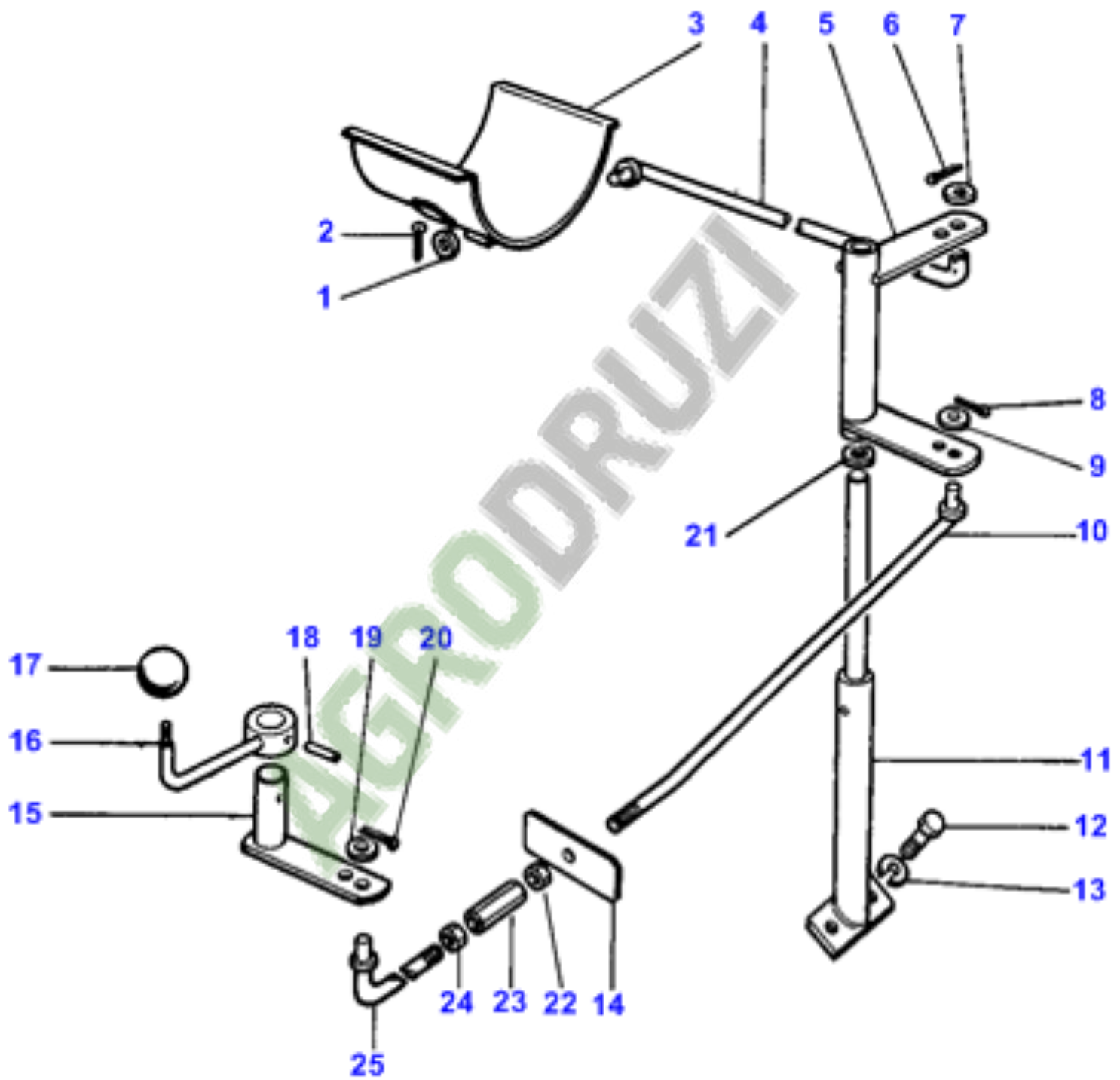


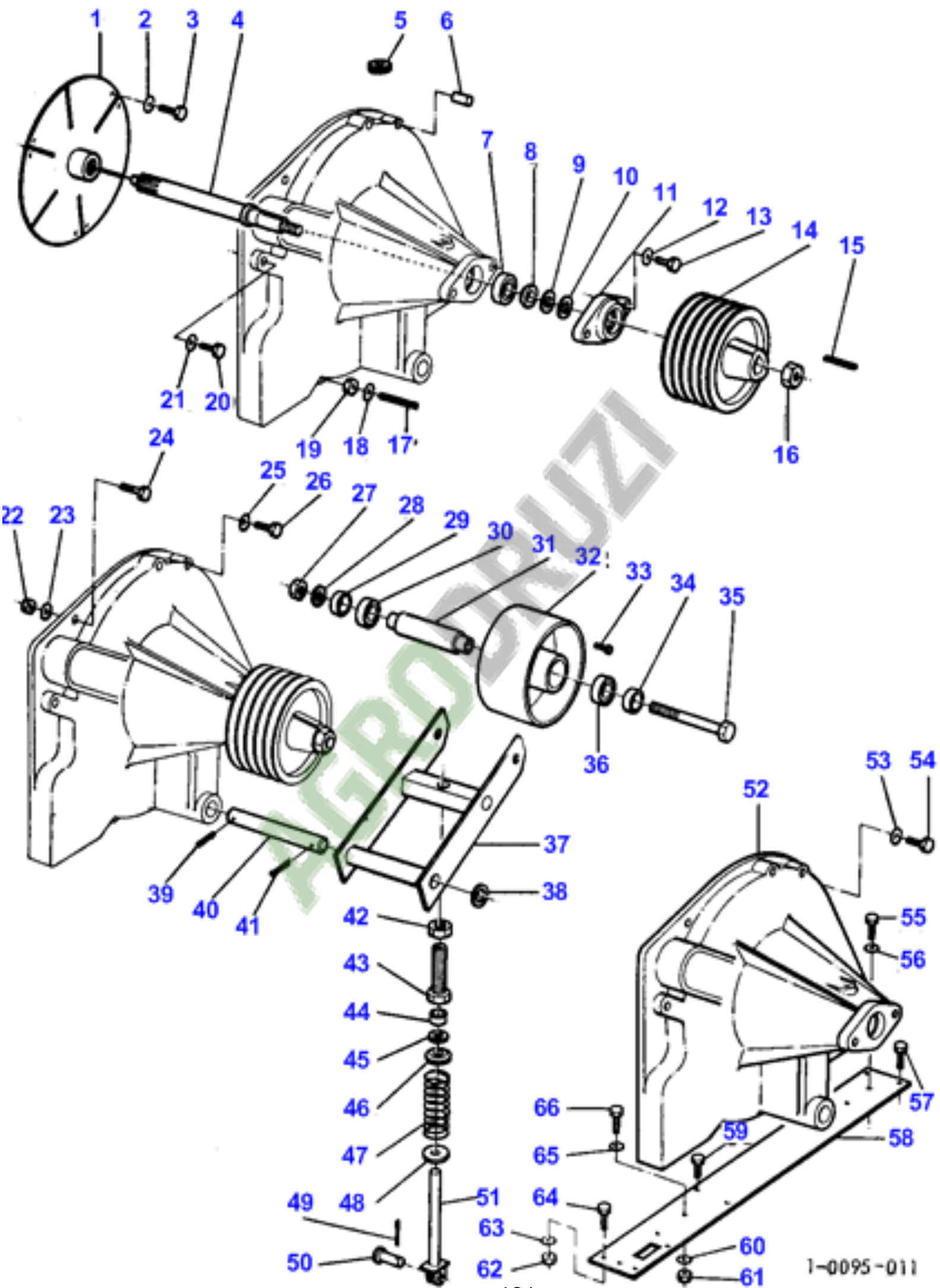
1-2645-010



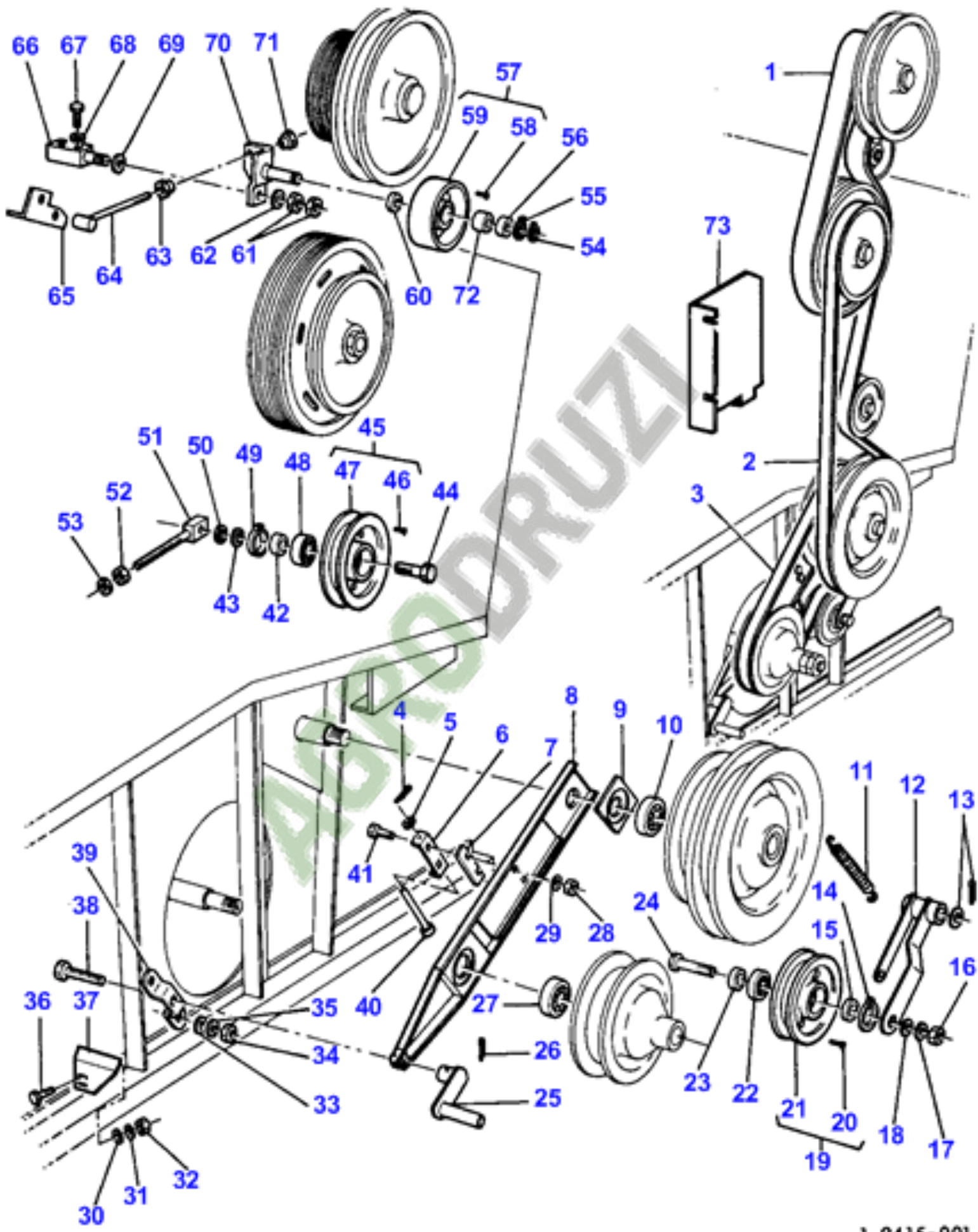
1-2645-008



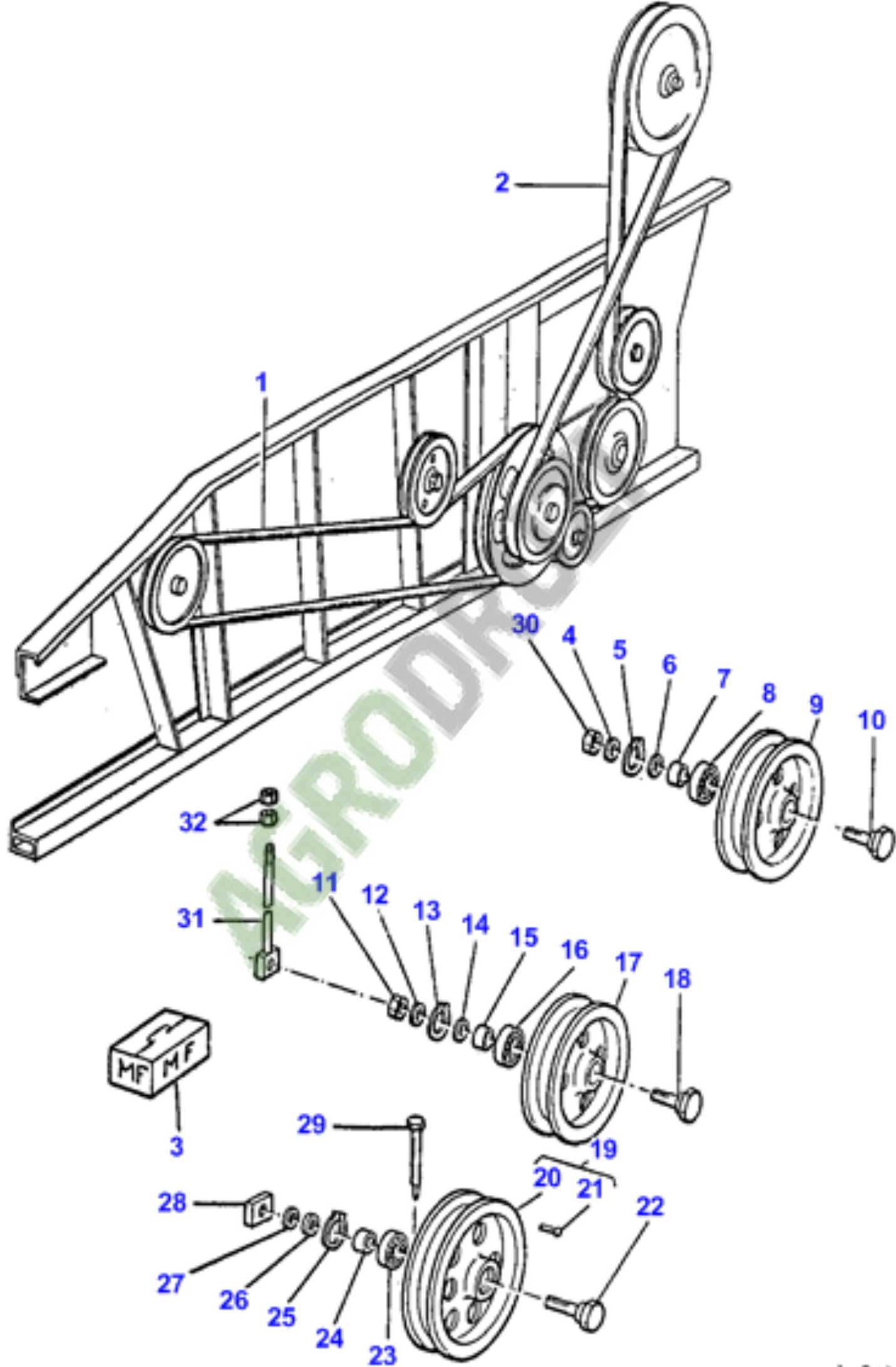


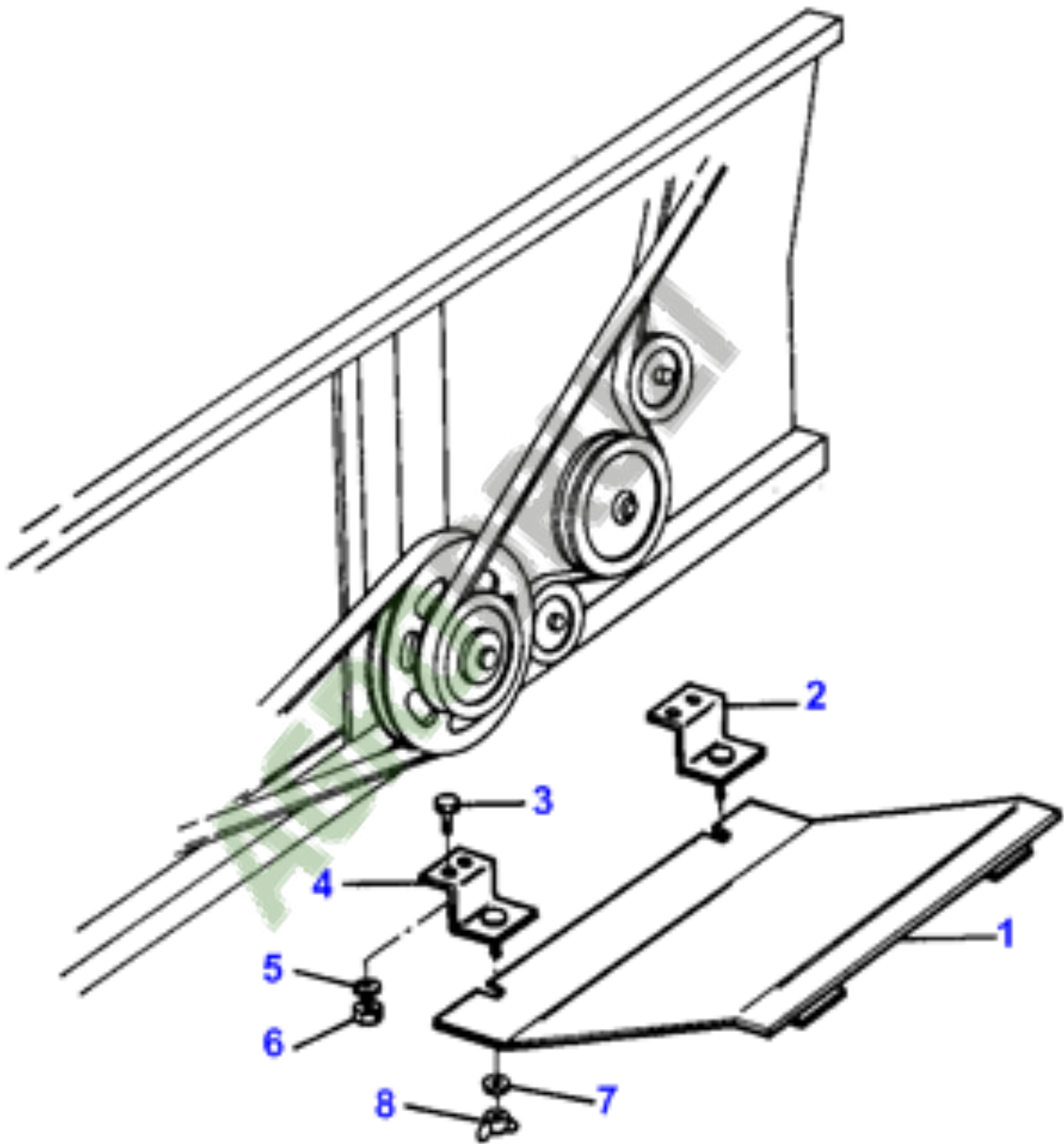


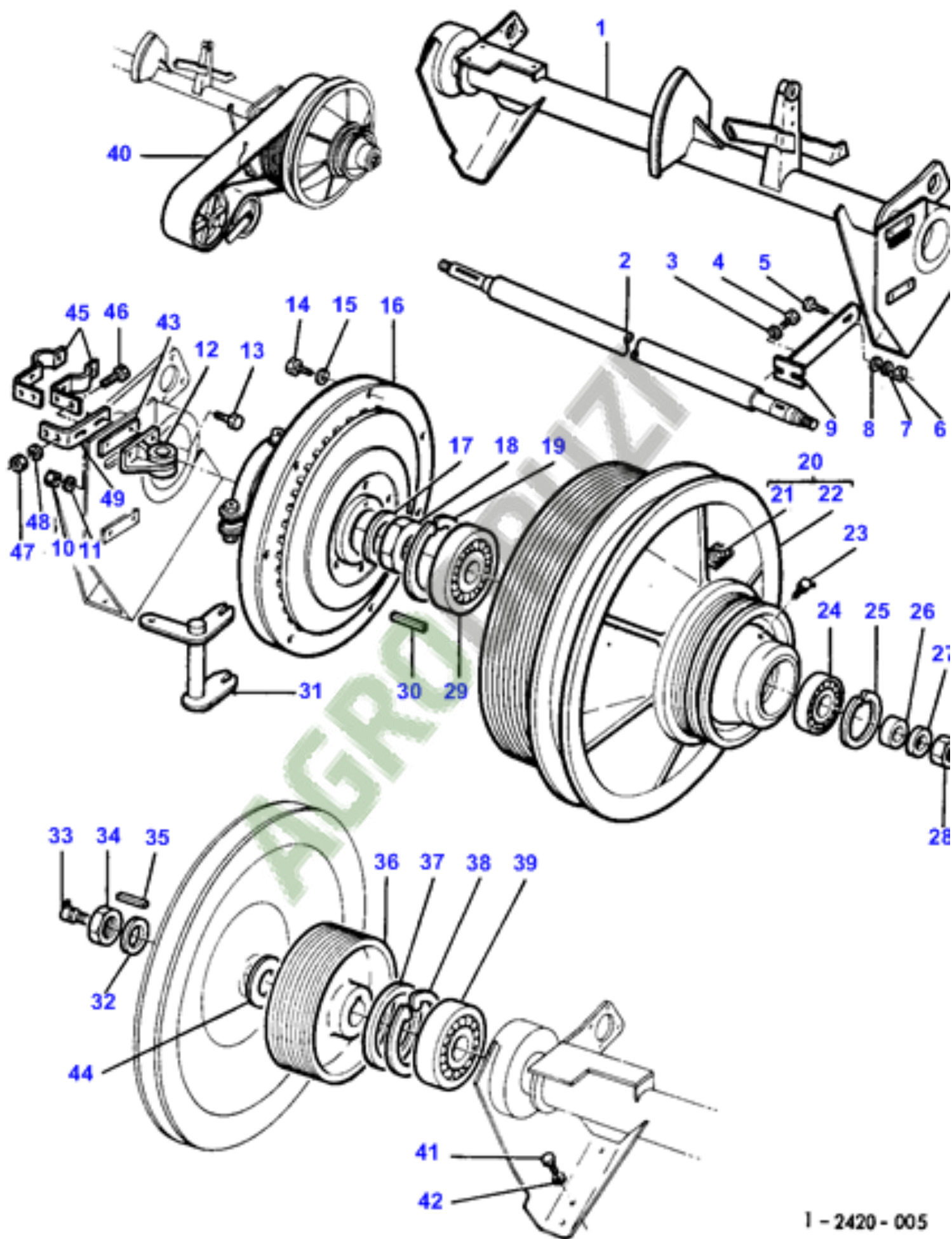
1-0095-011



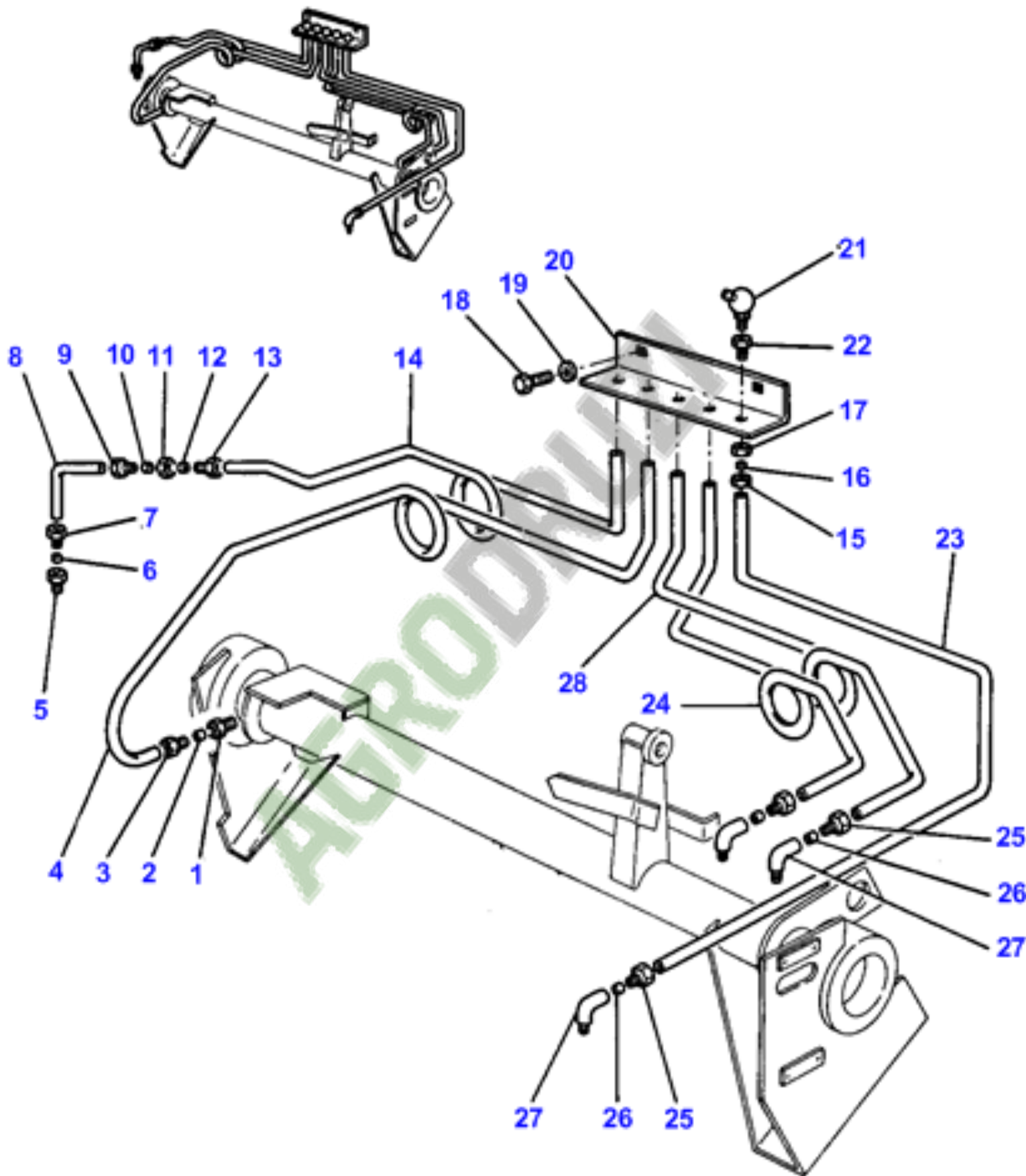
1 0415-001

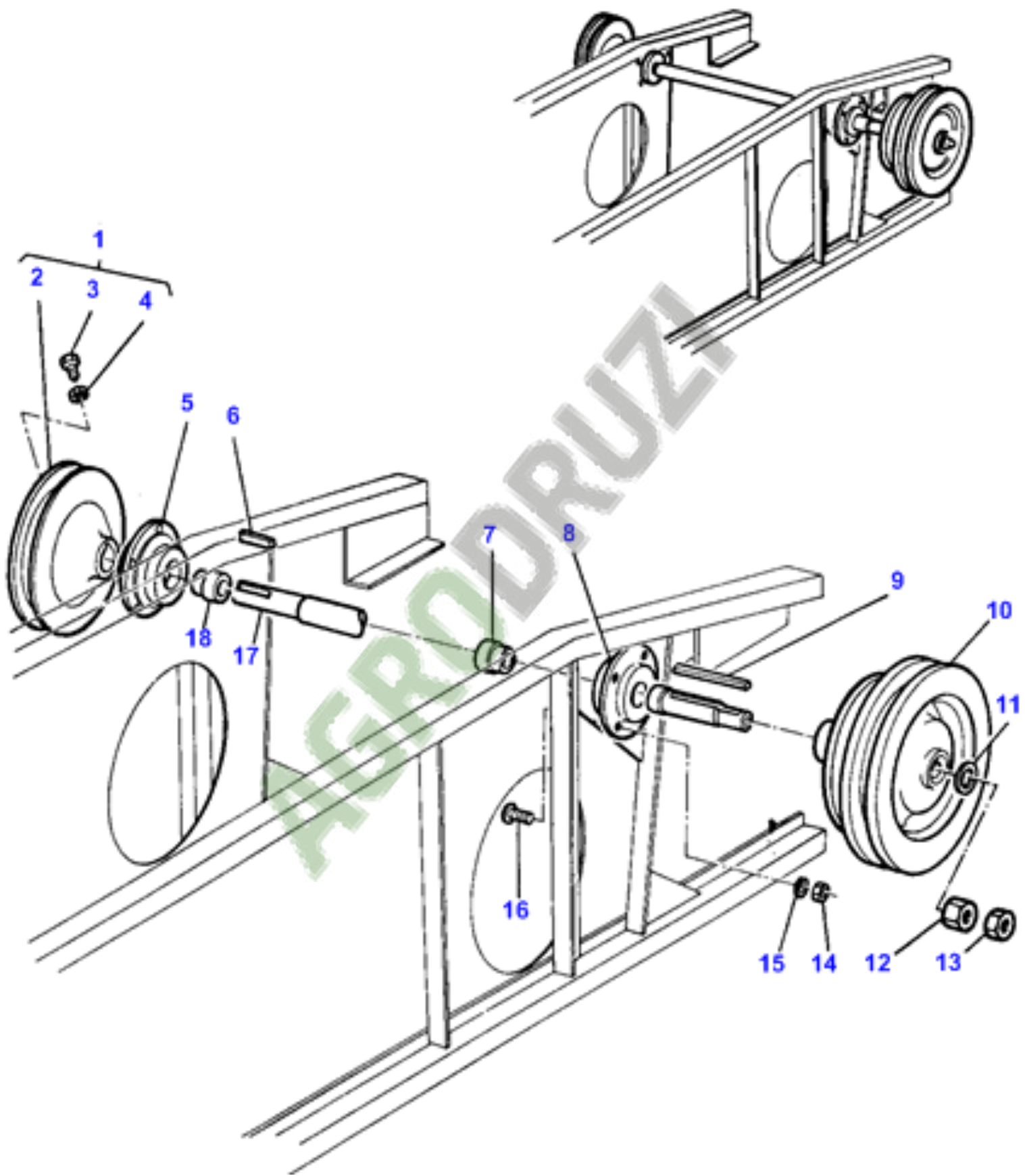


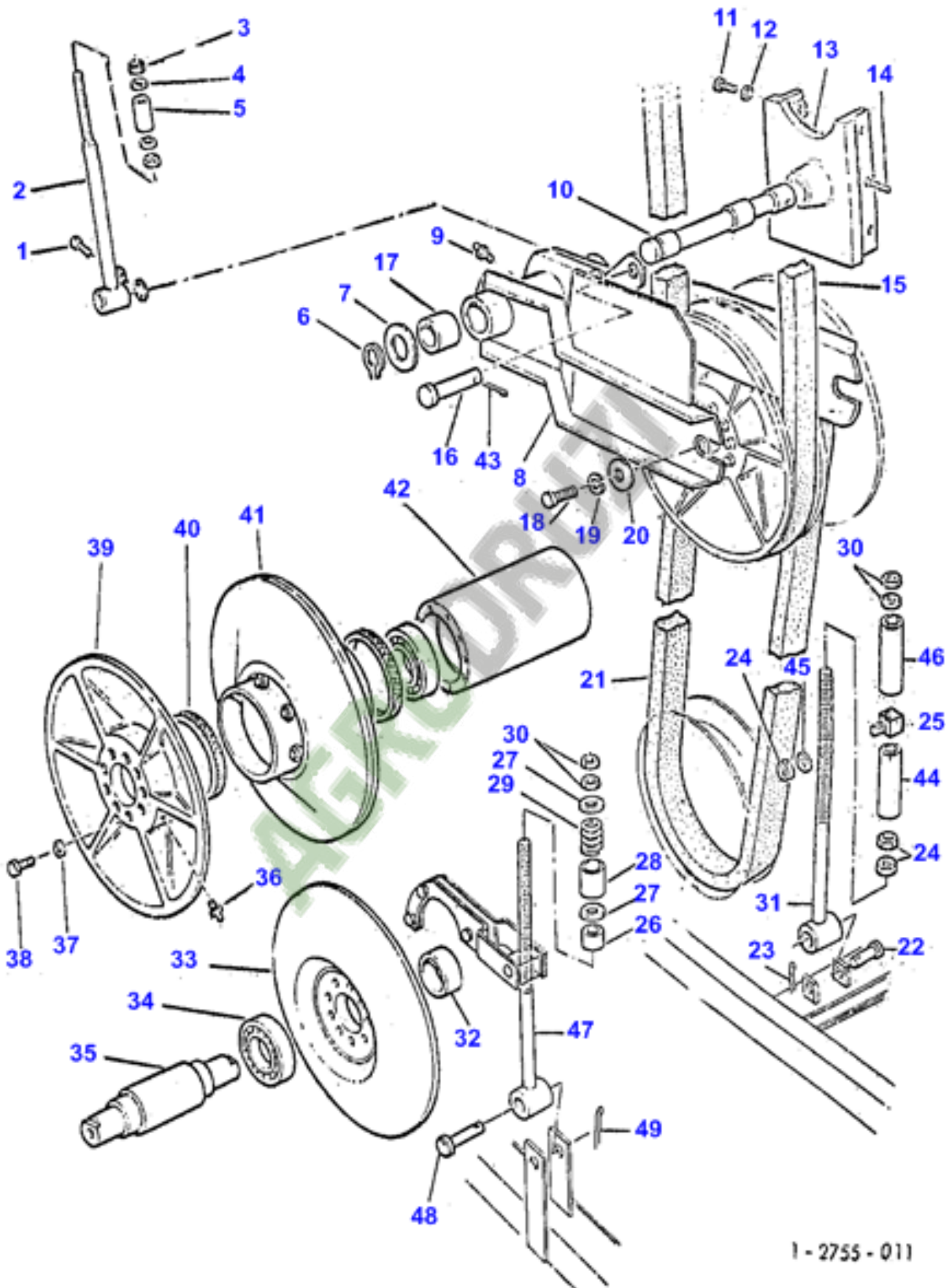




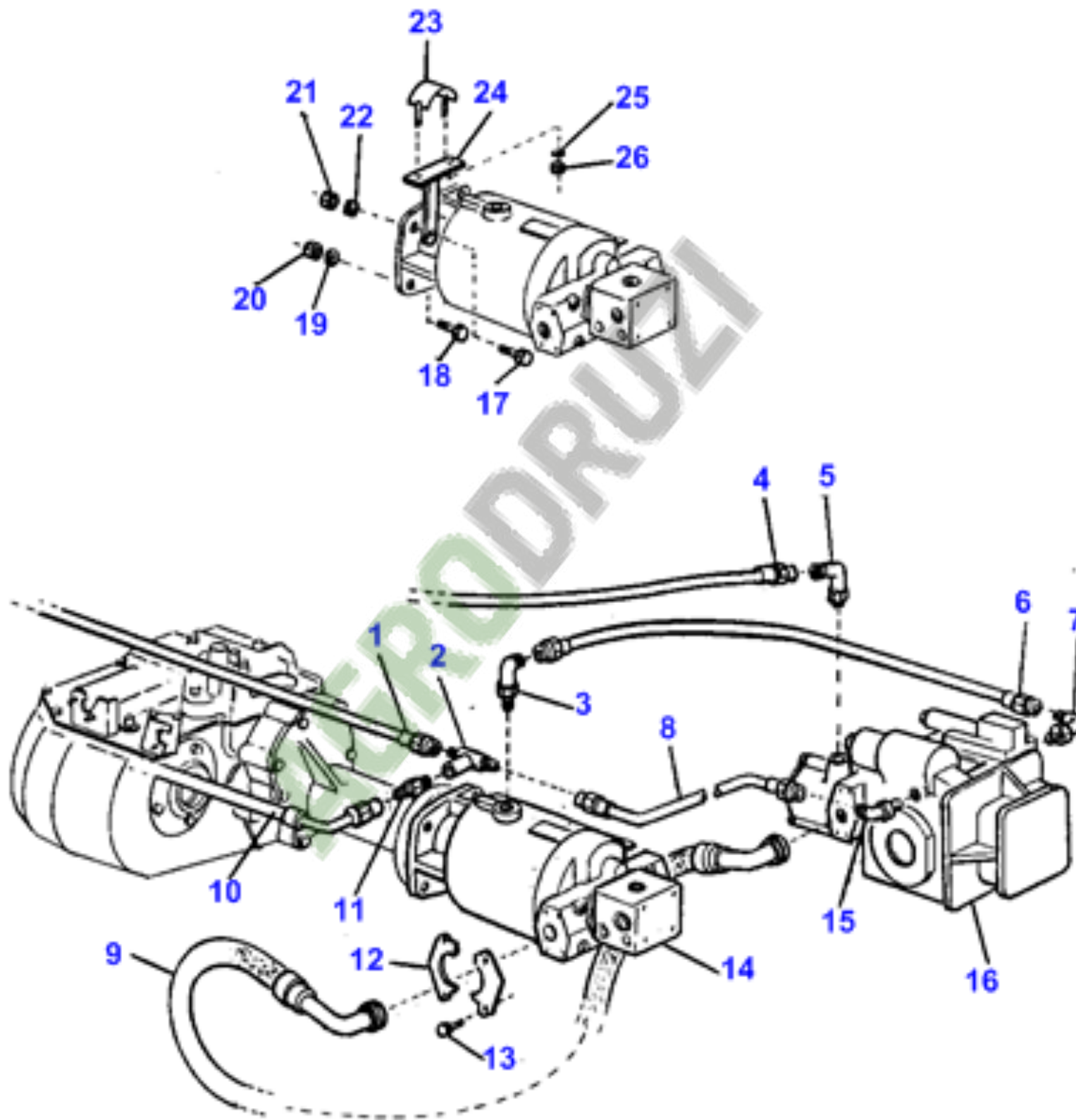
1 - 2420 - 005

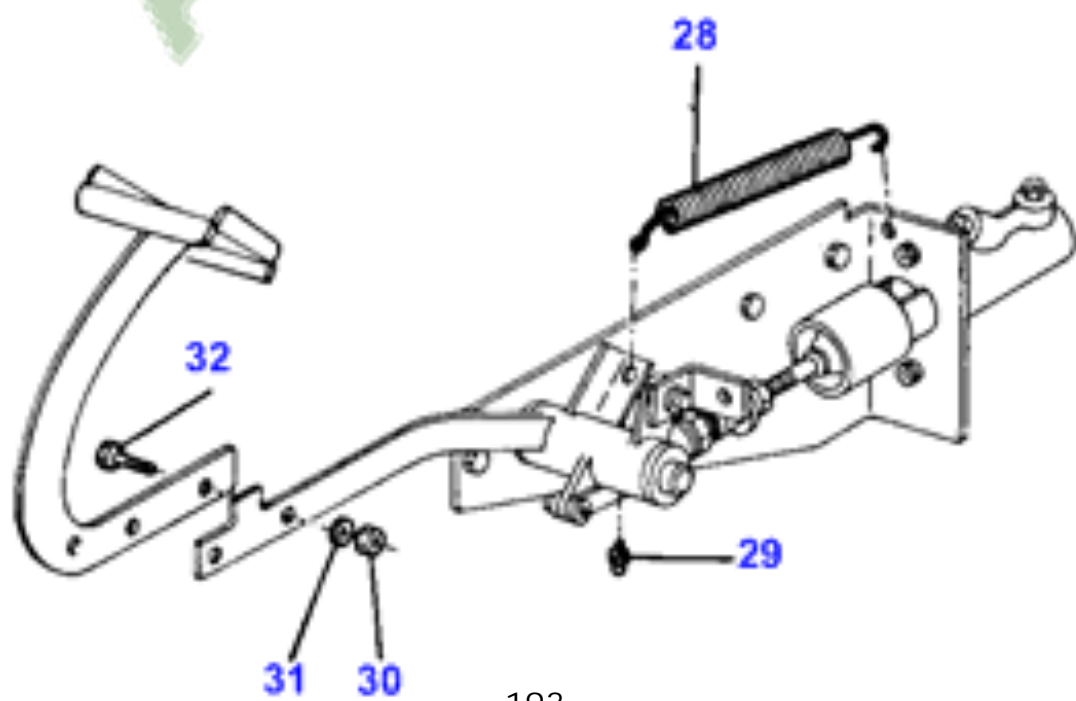
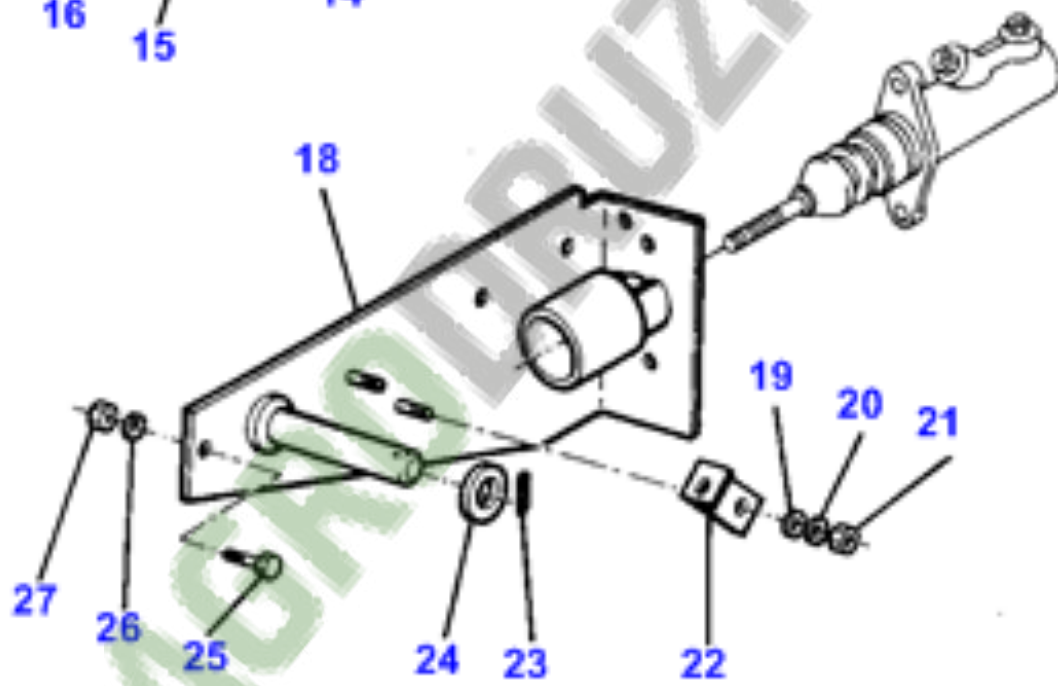
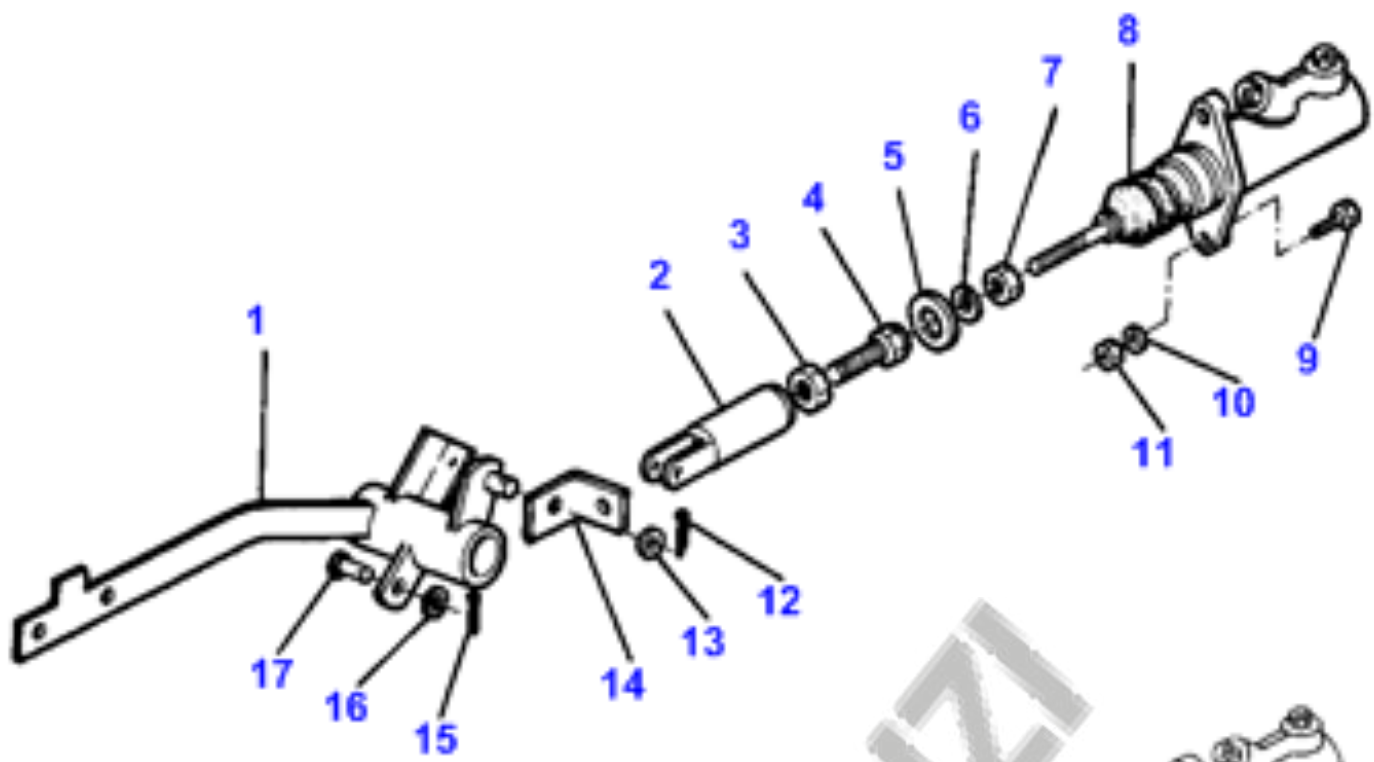


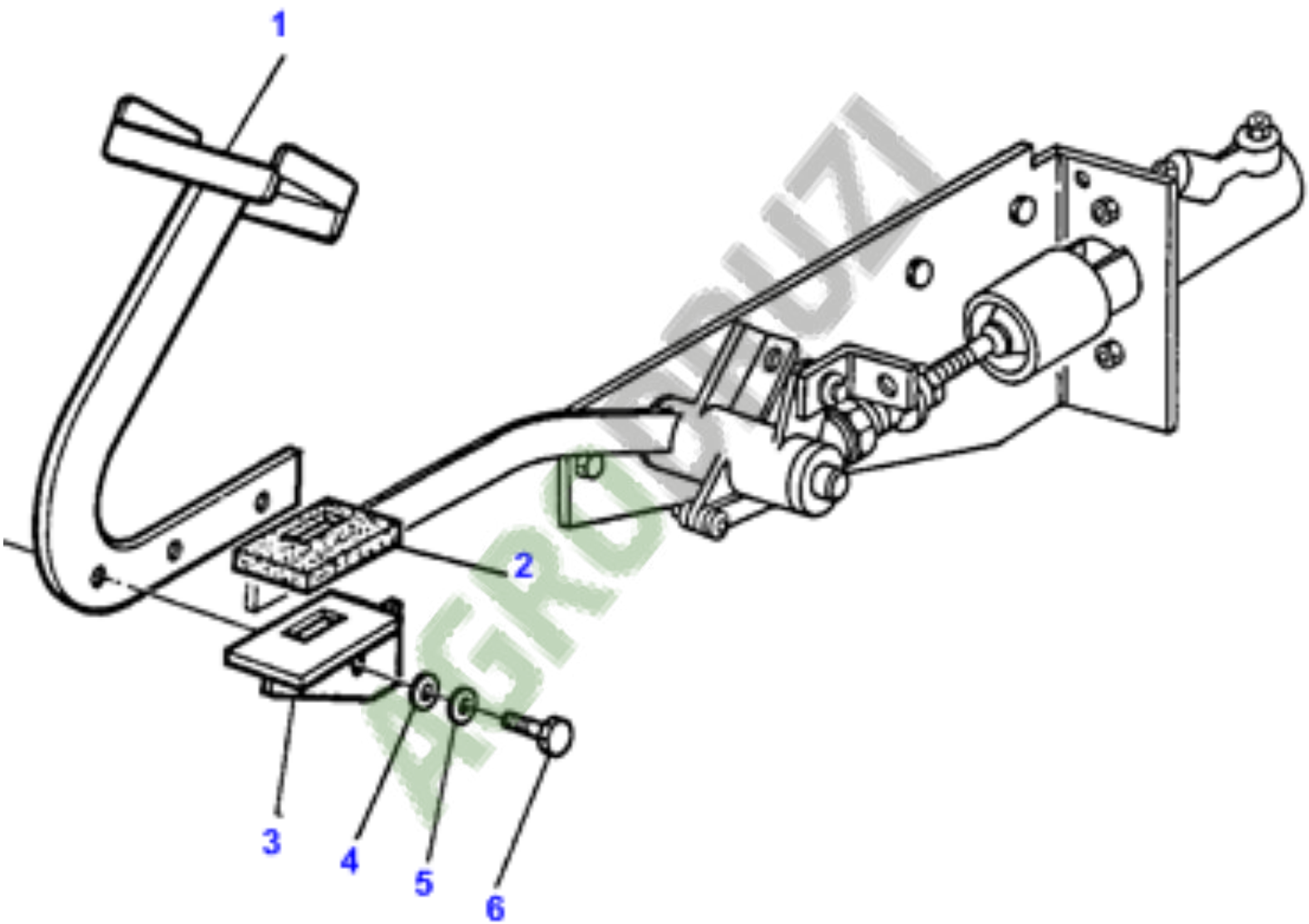


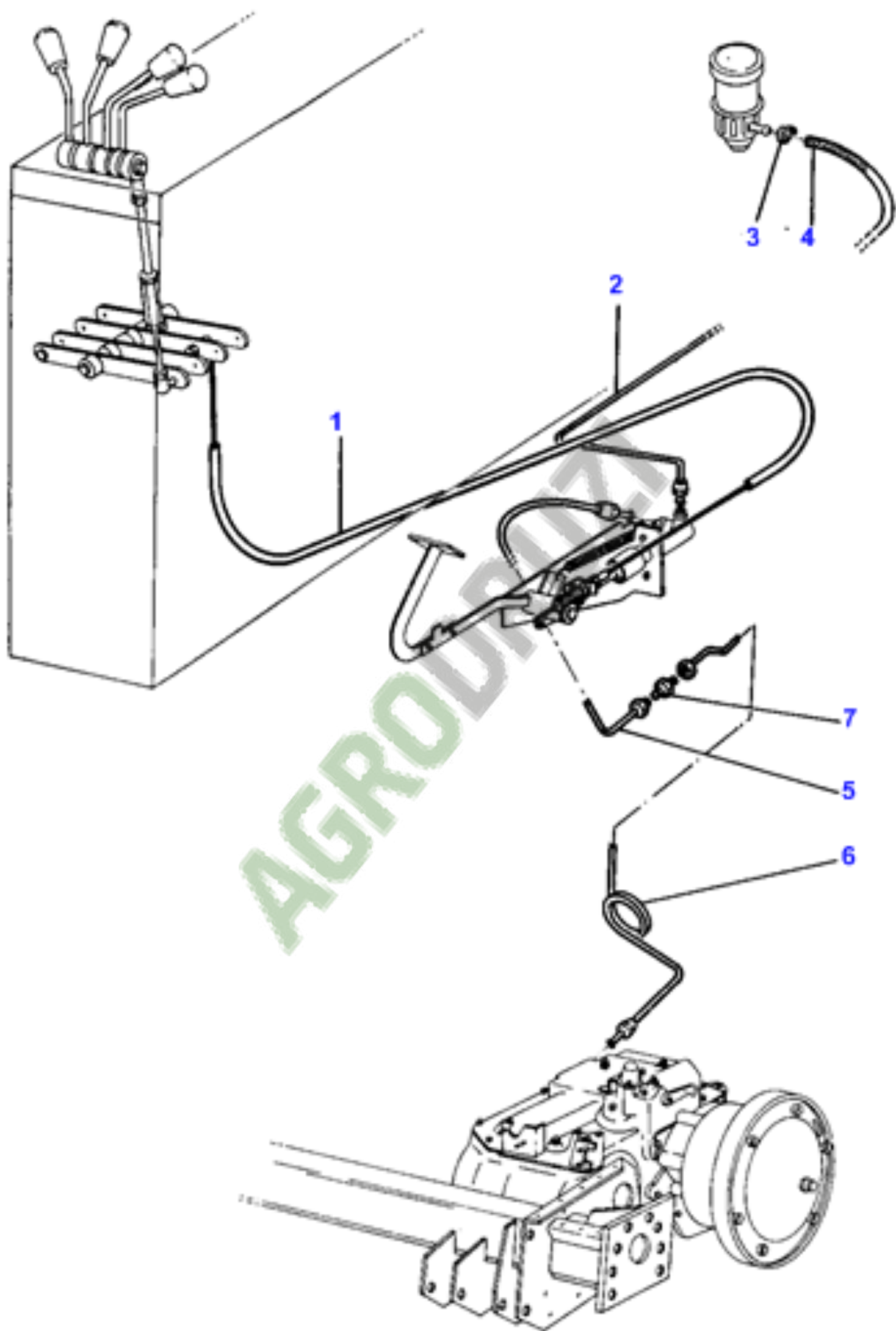


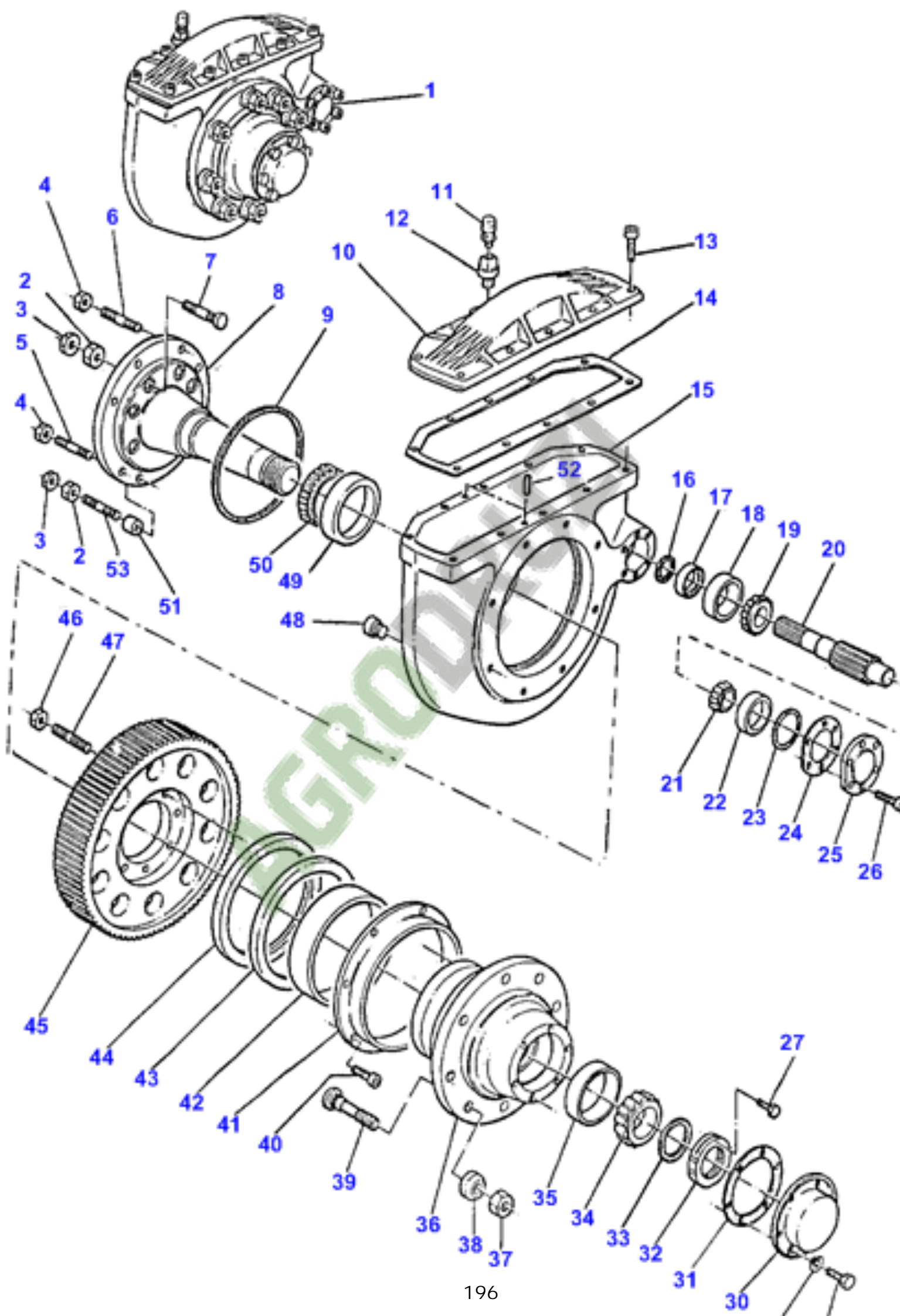
1-2755-011

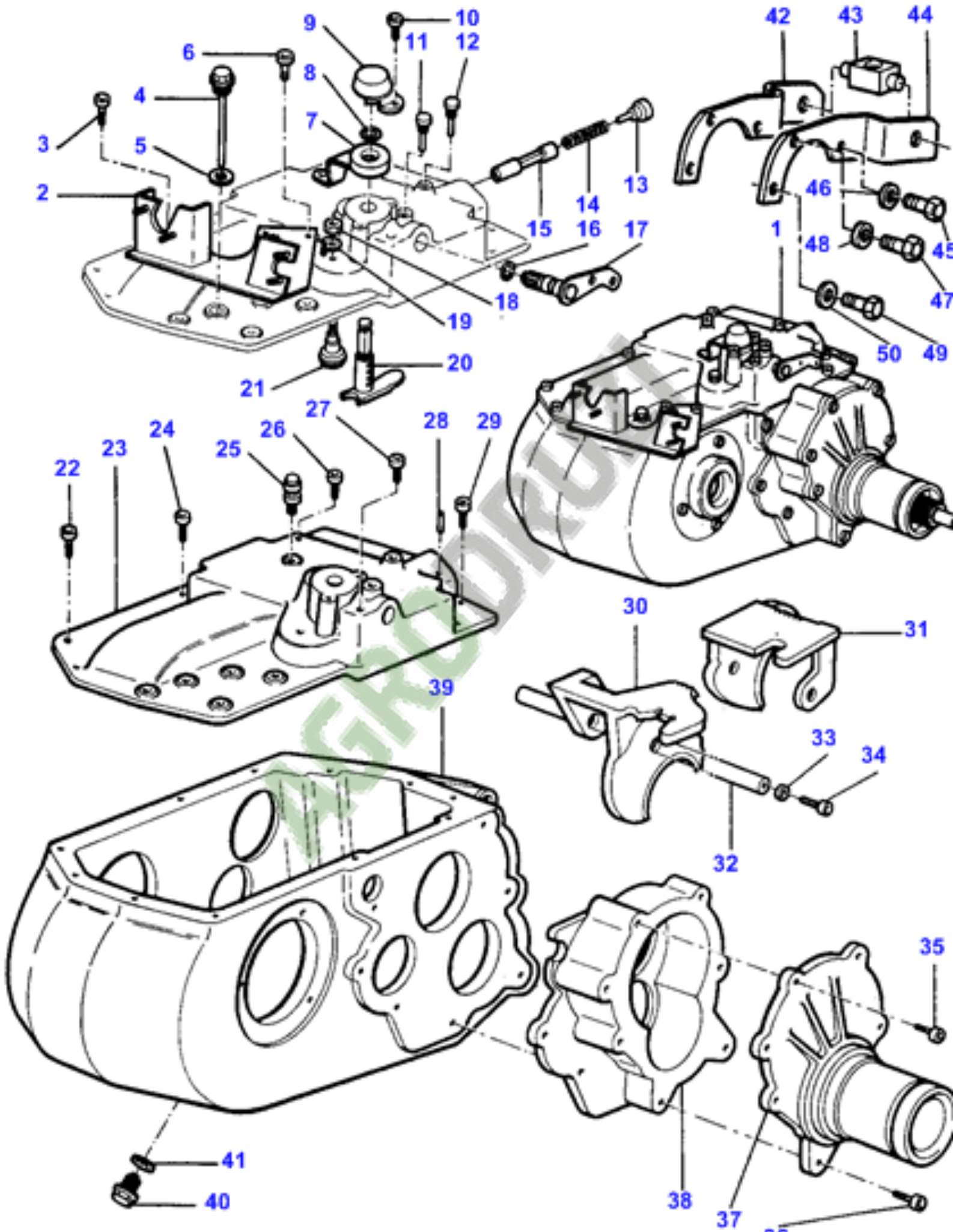


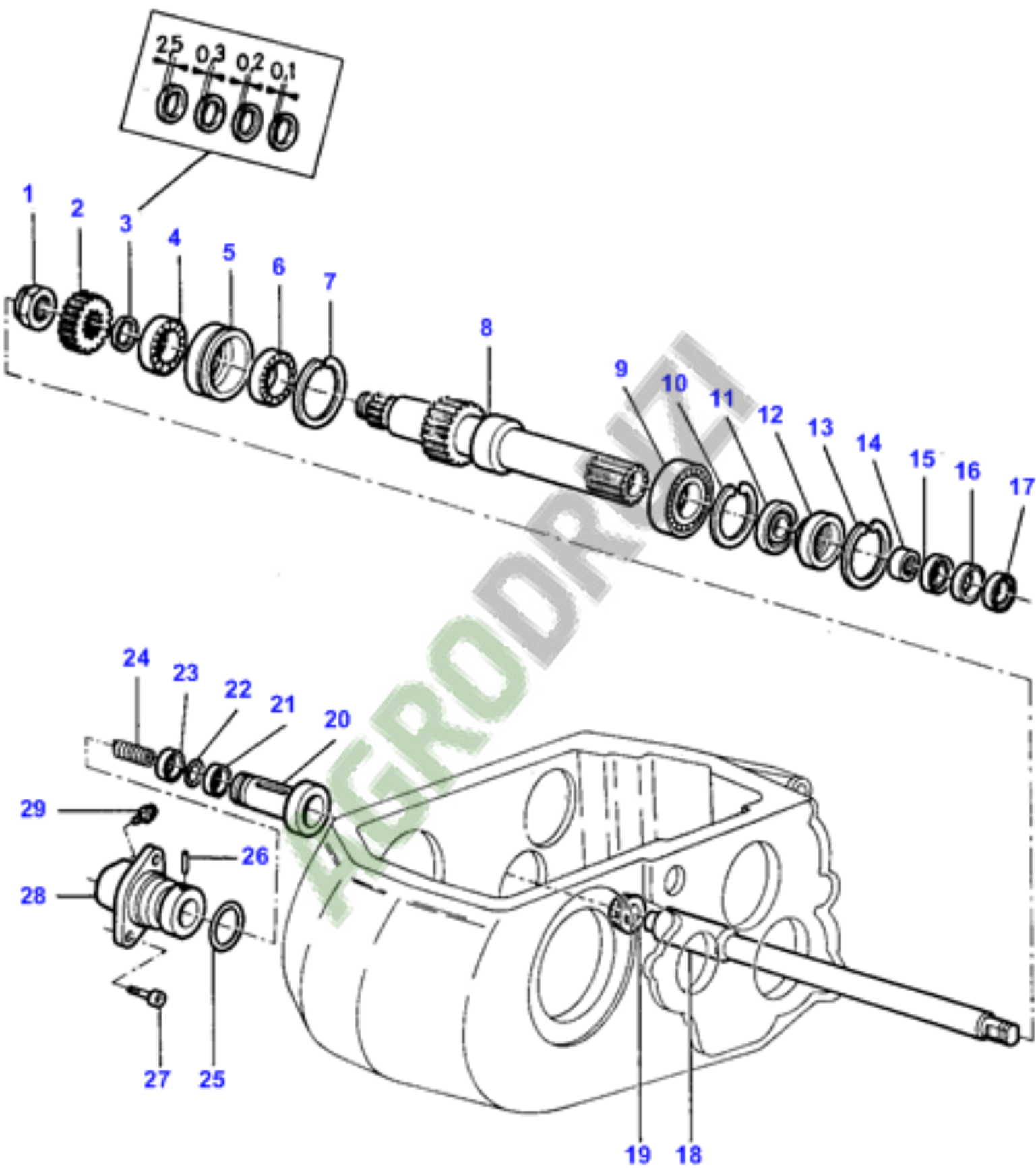


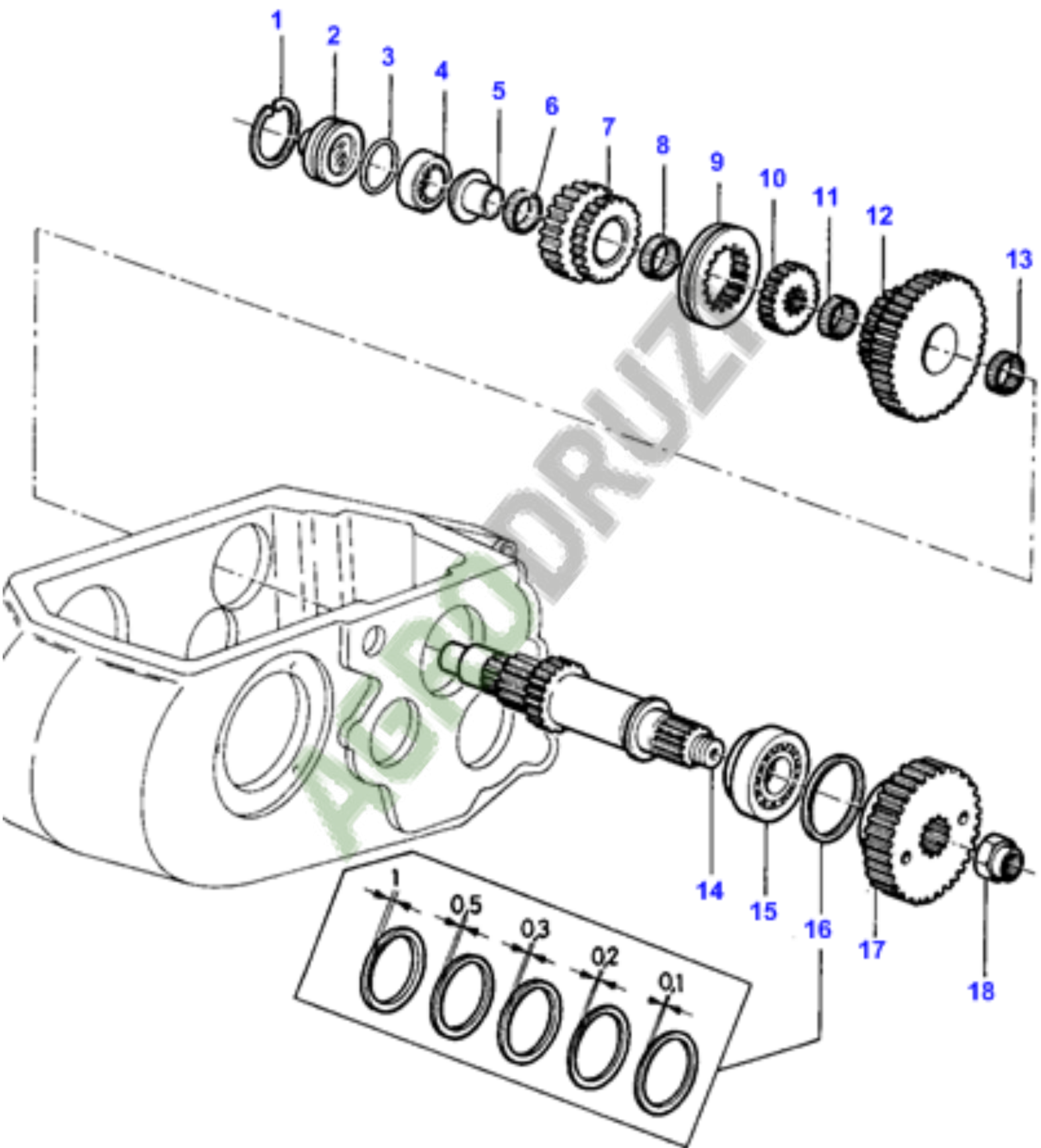




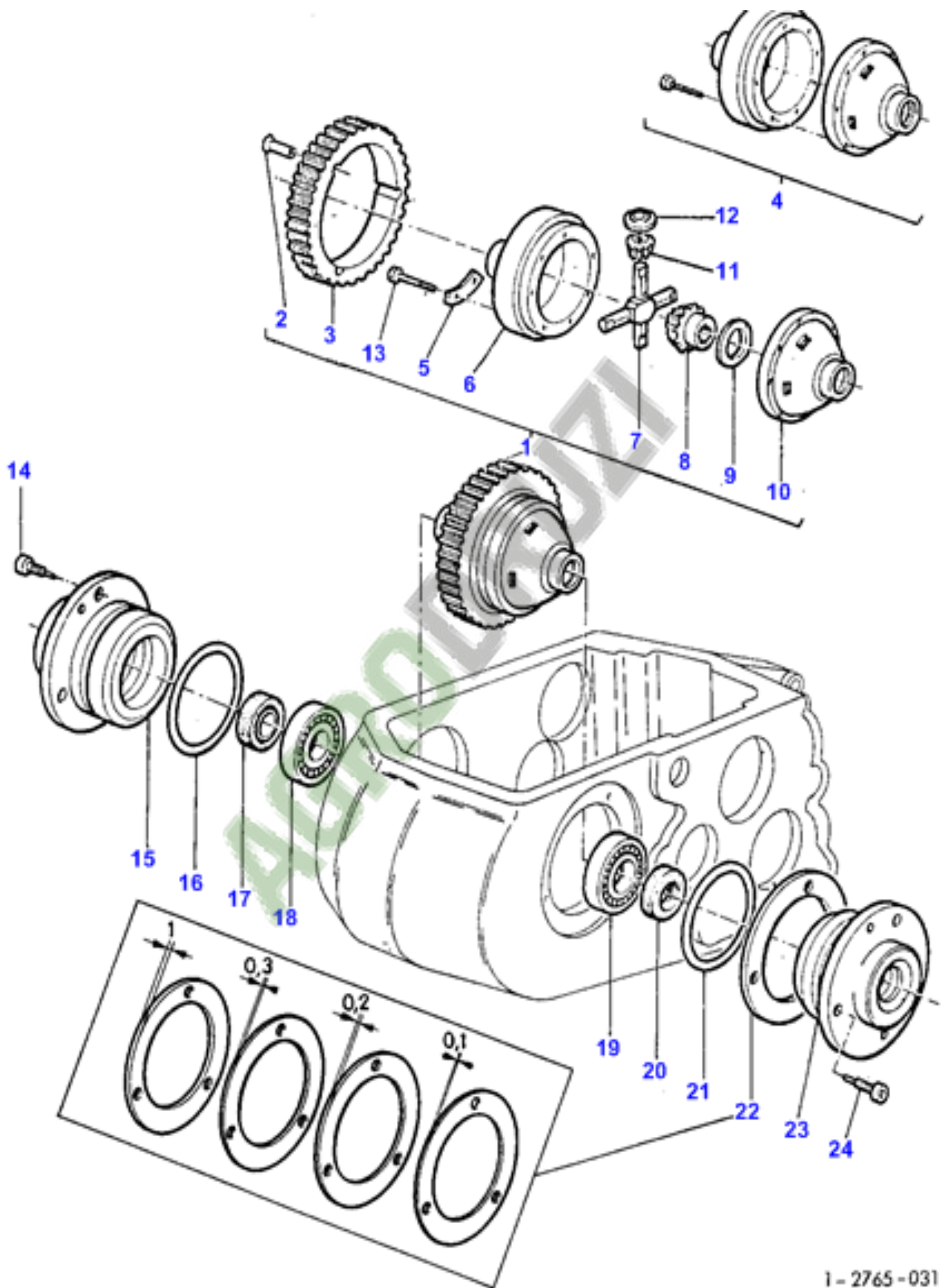




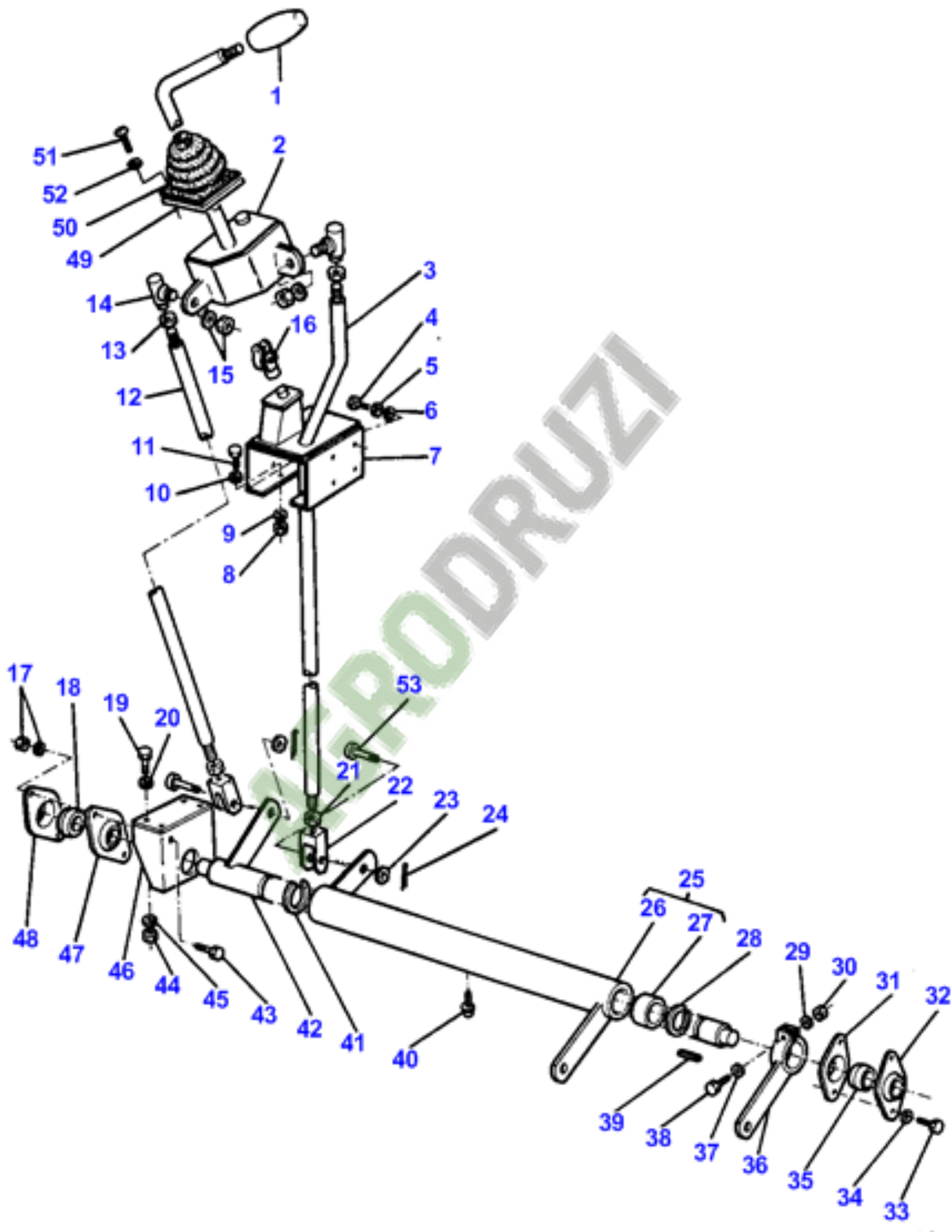


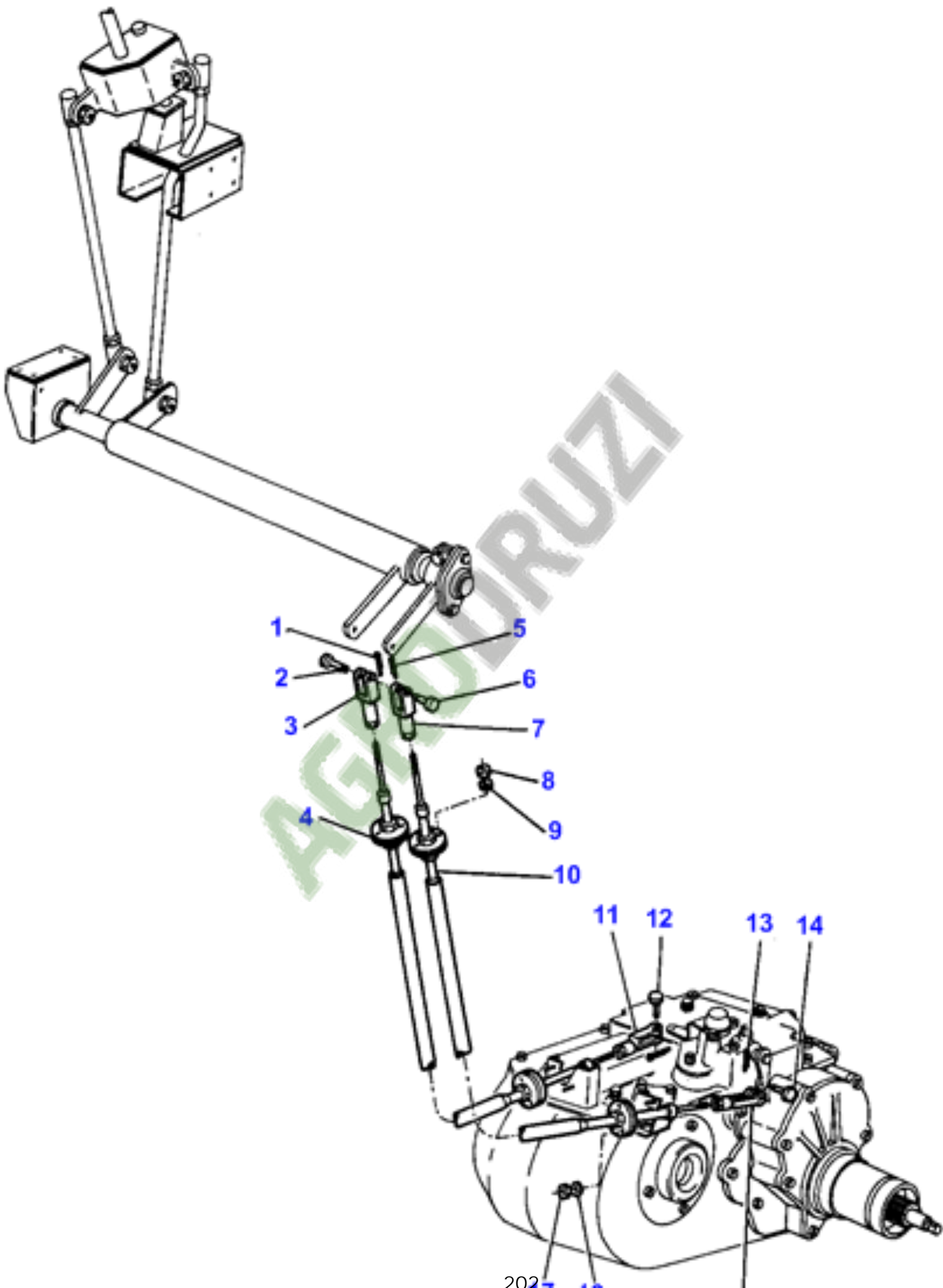


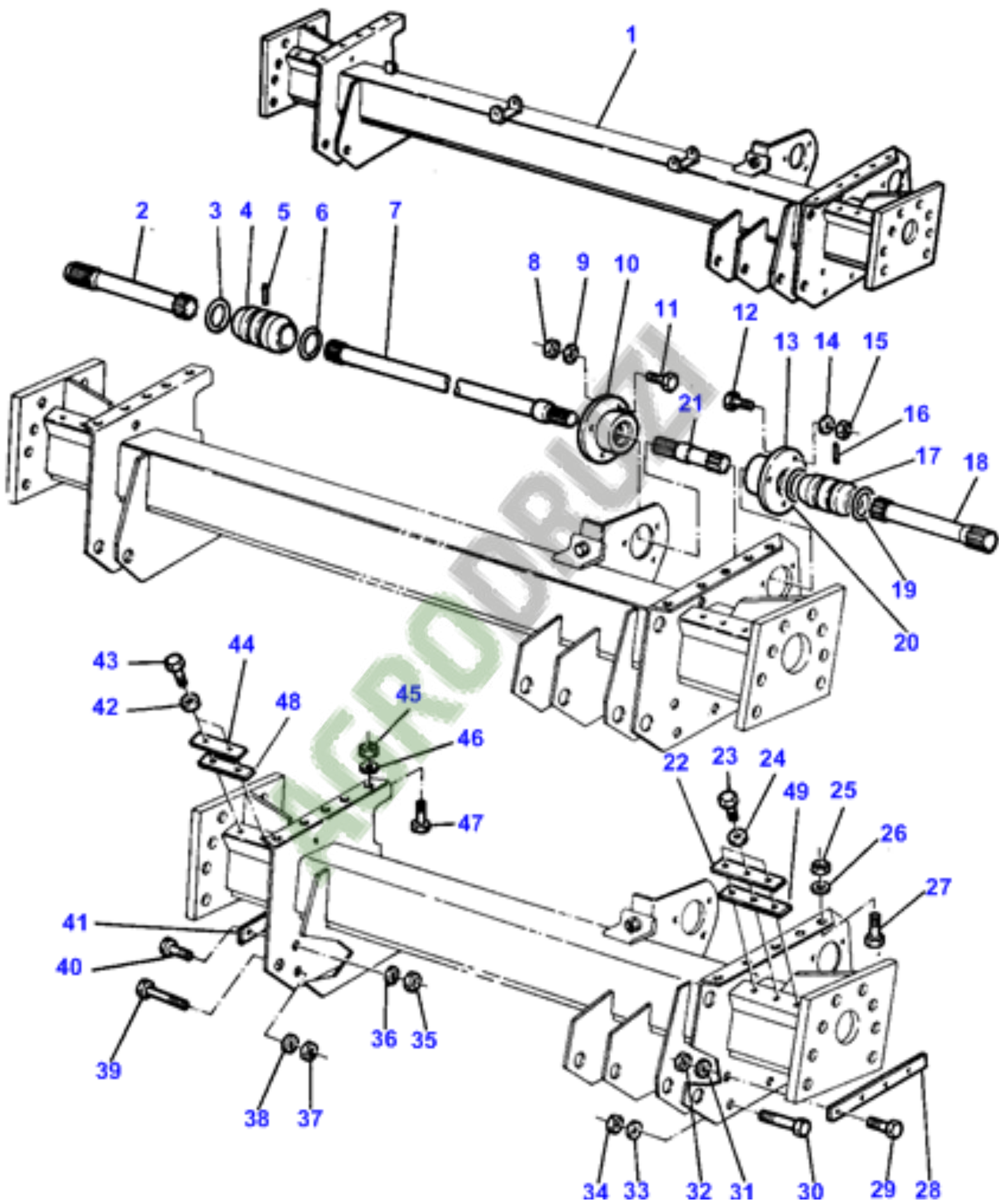
1-2765-033

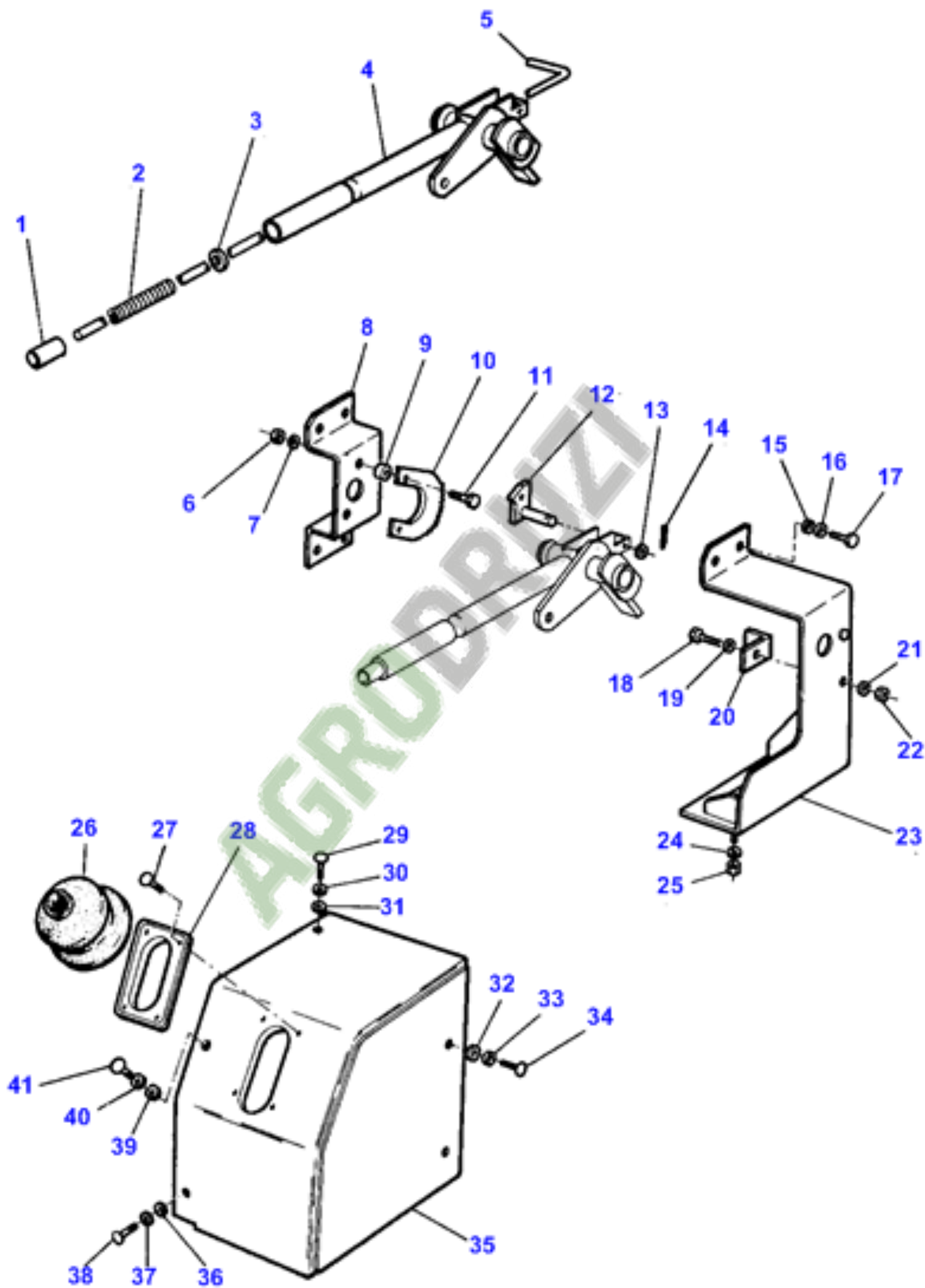


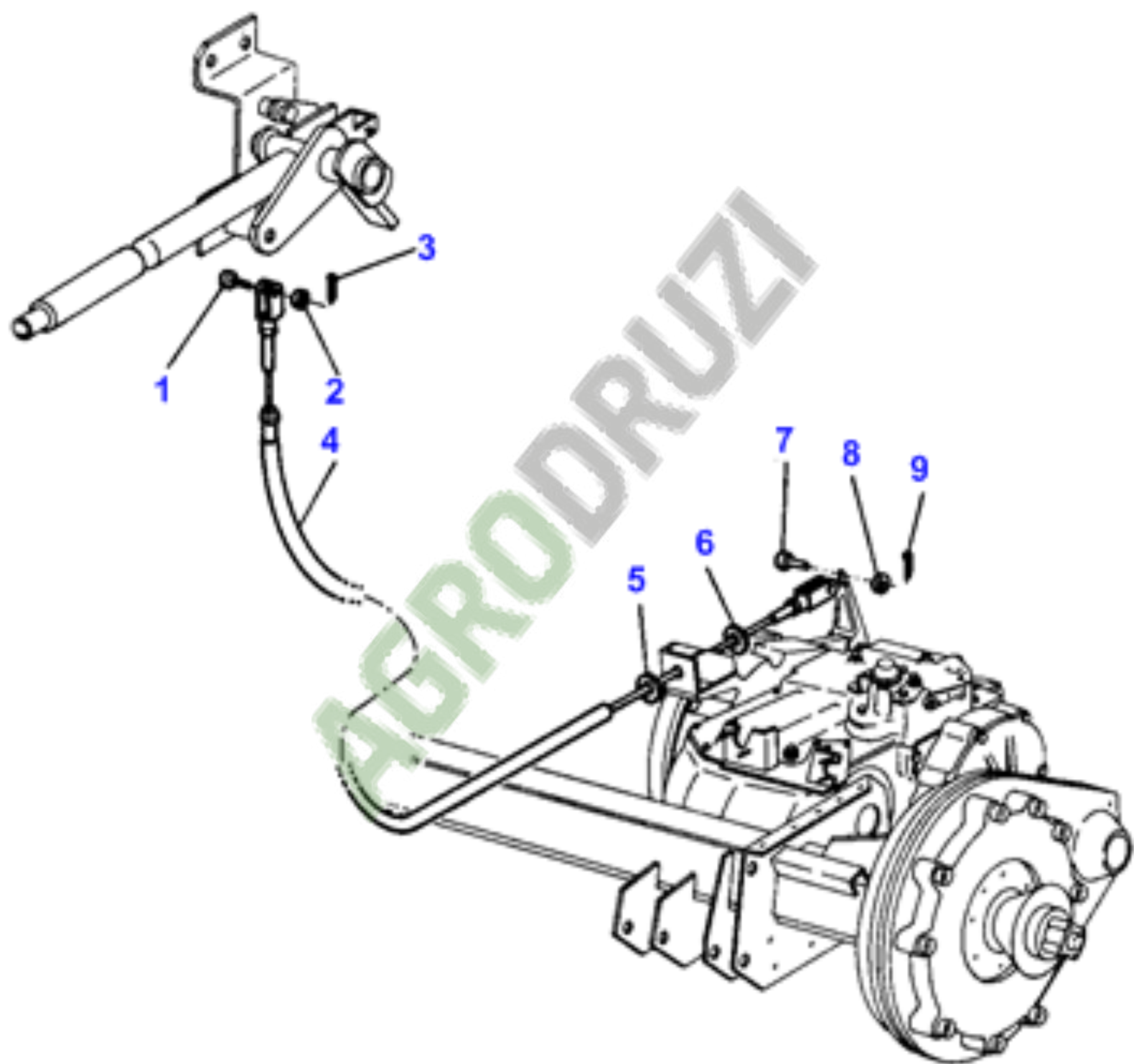
1-2765-031

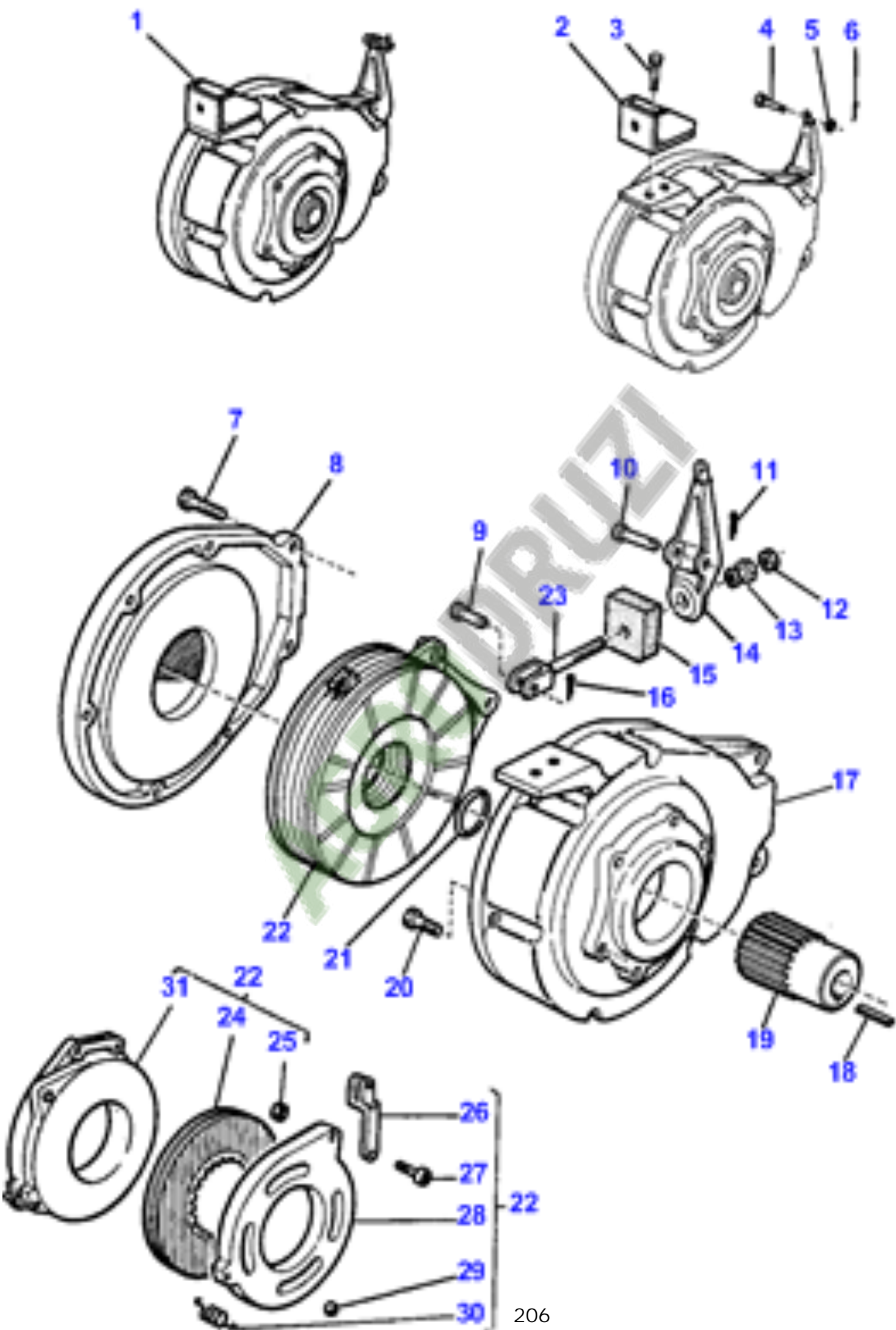


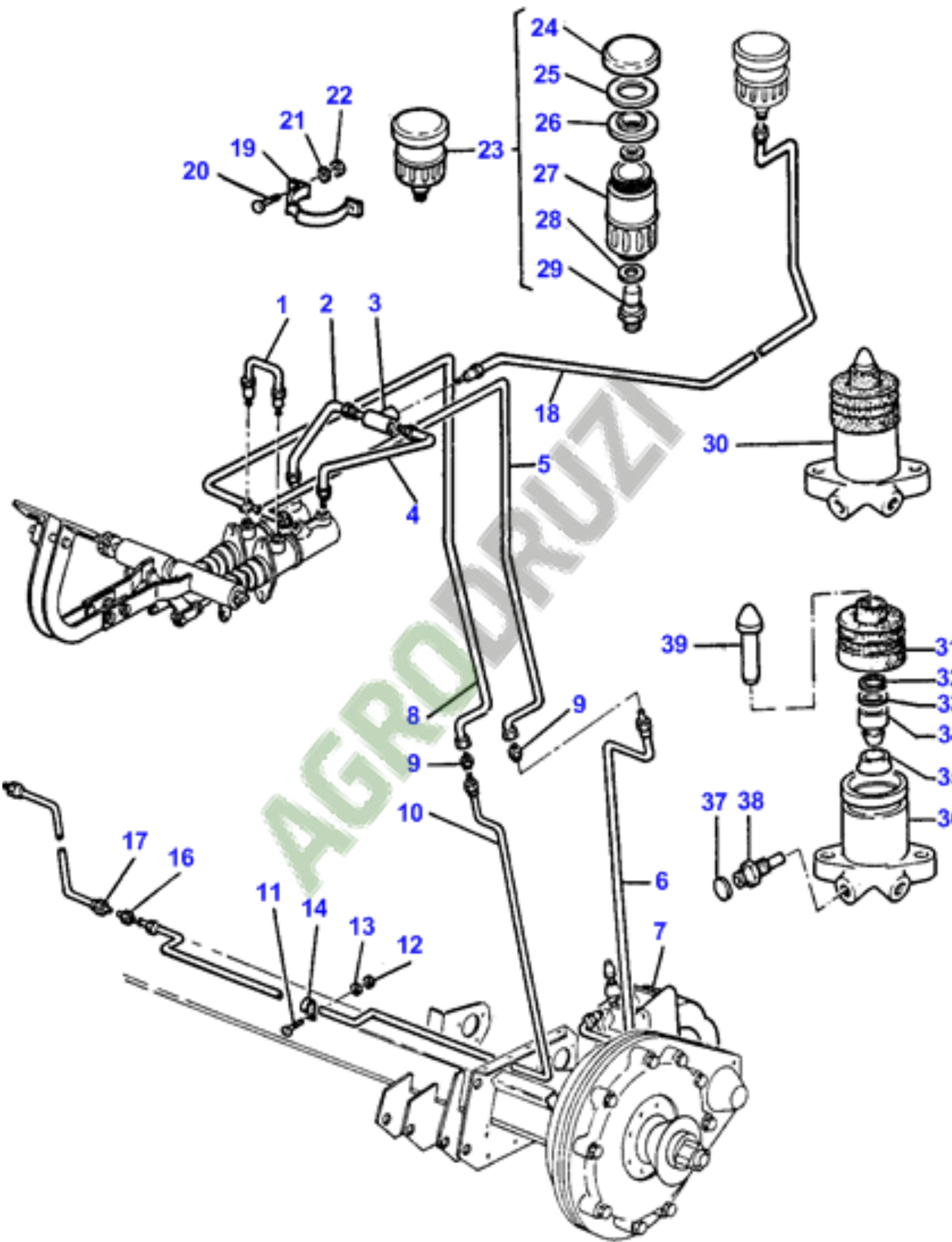


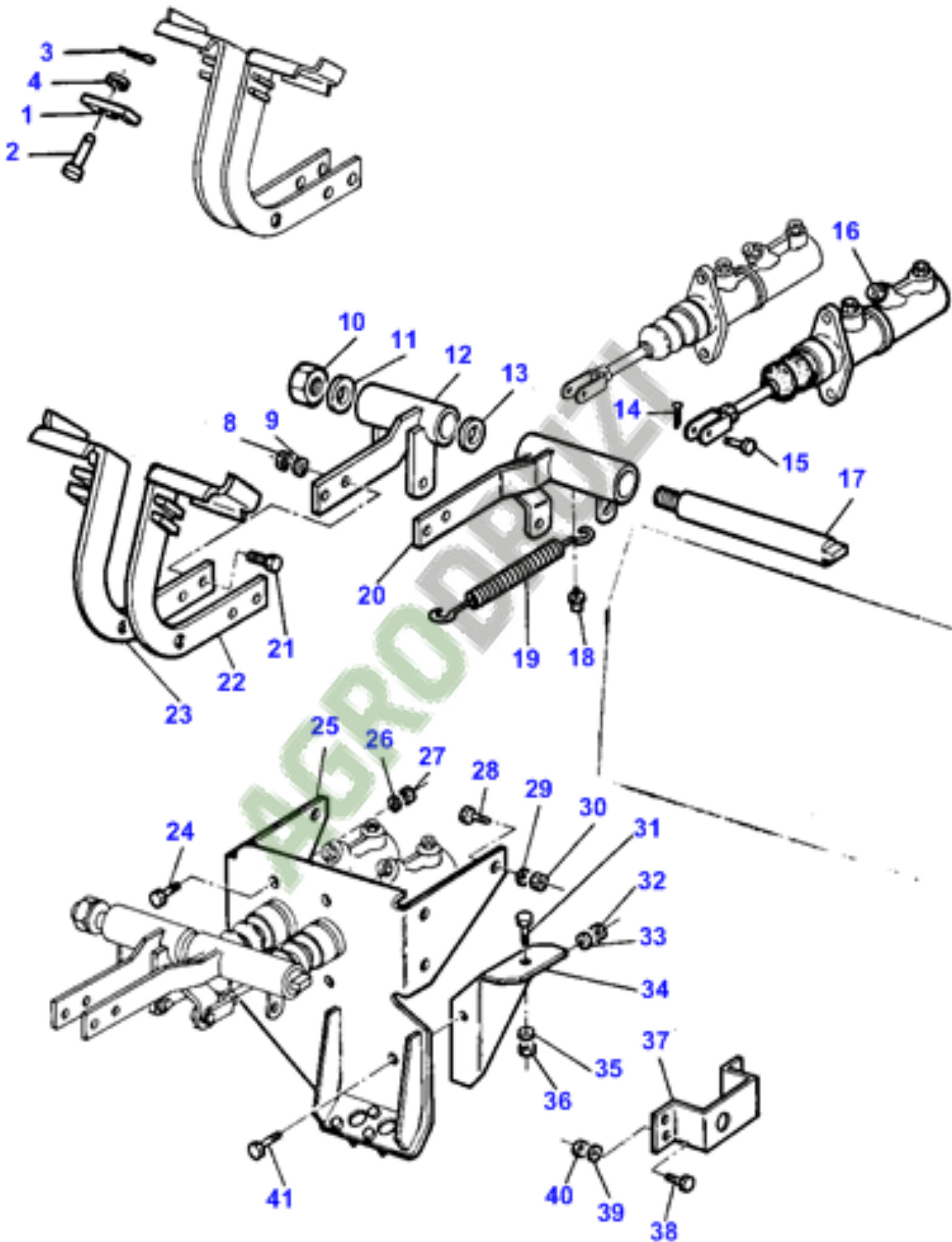


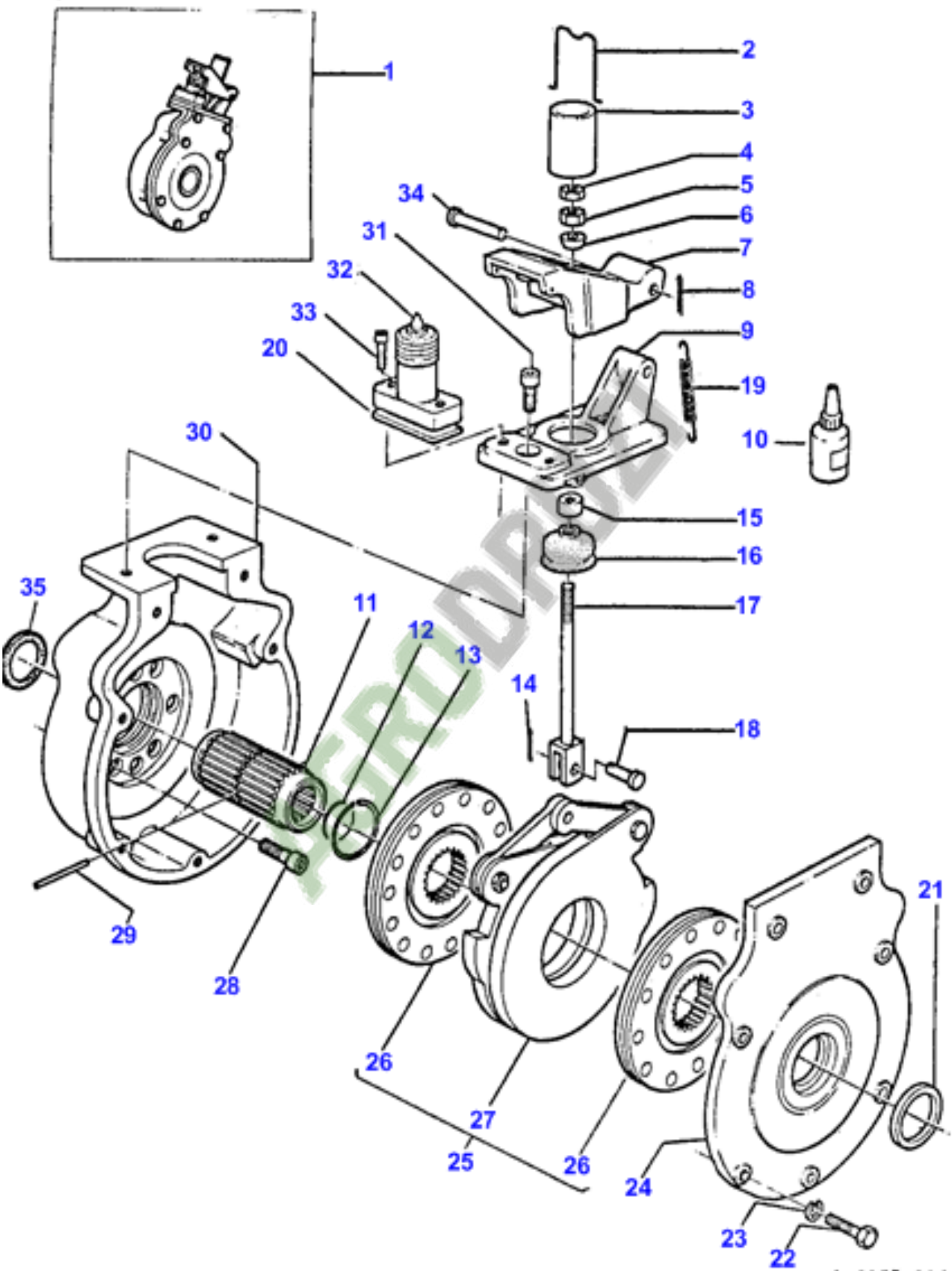


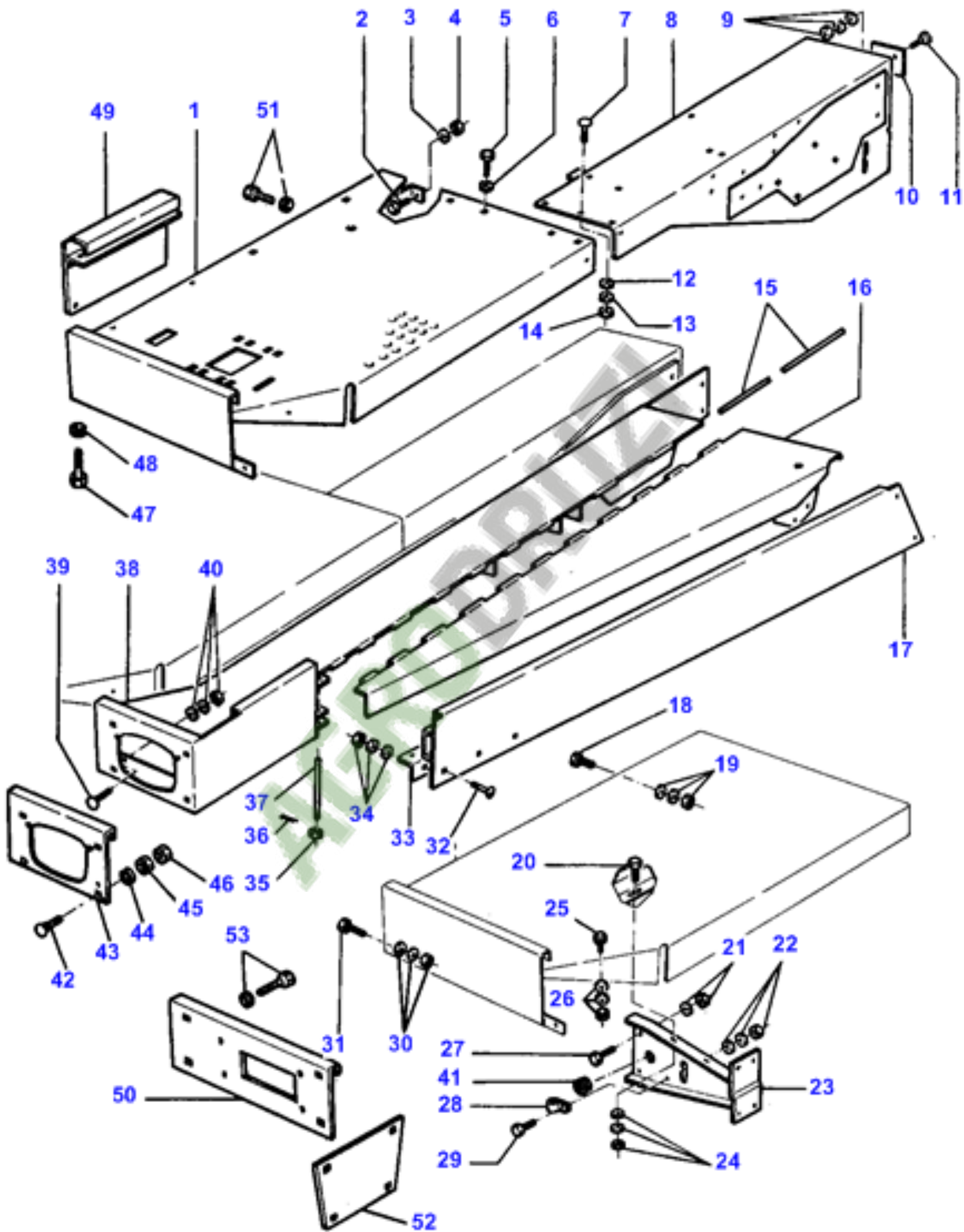


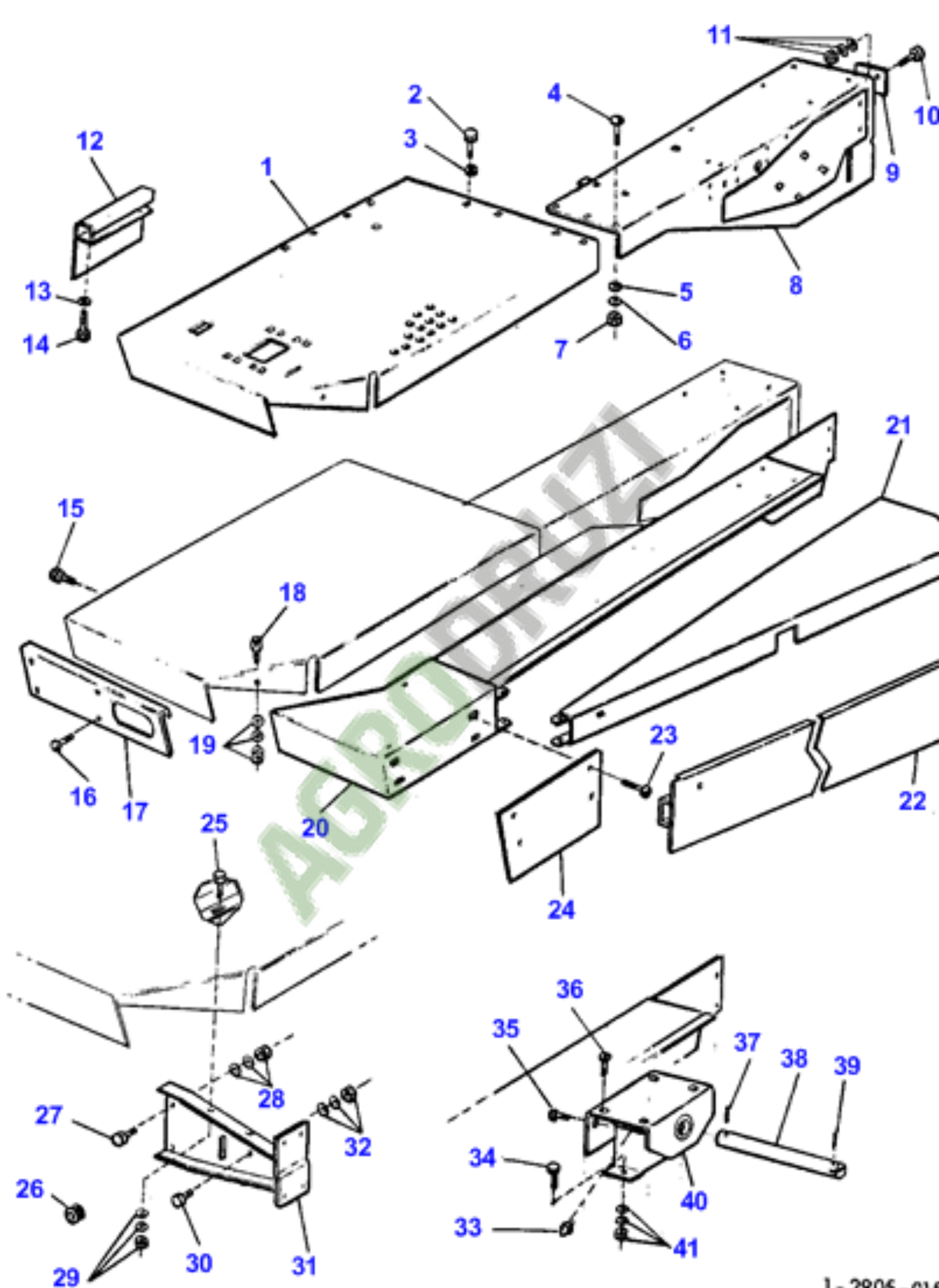


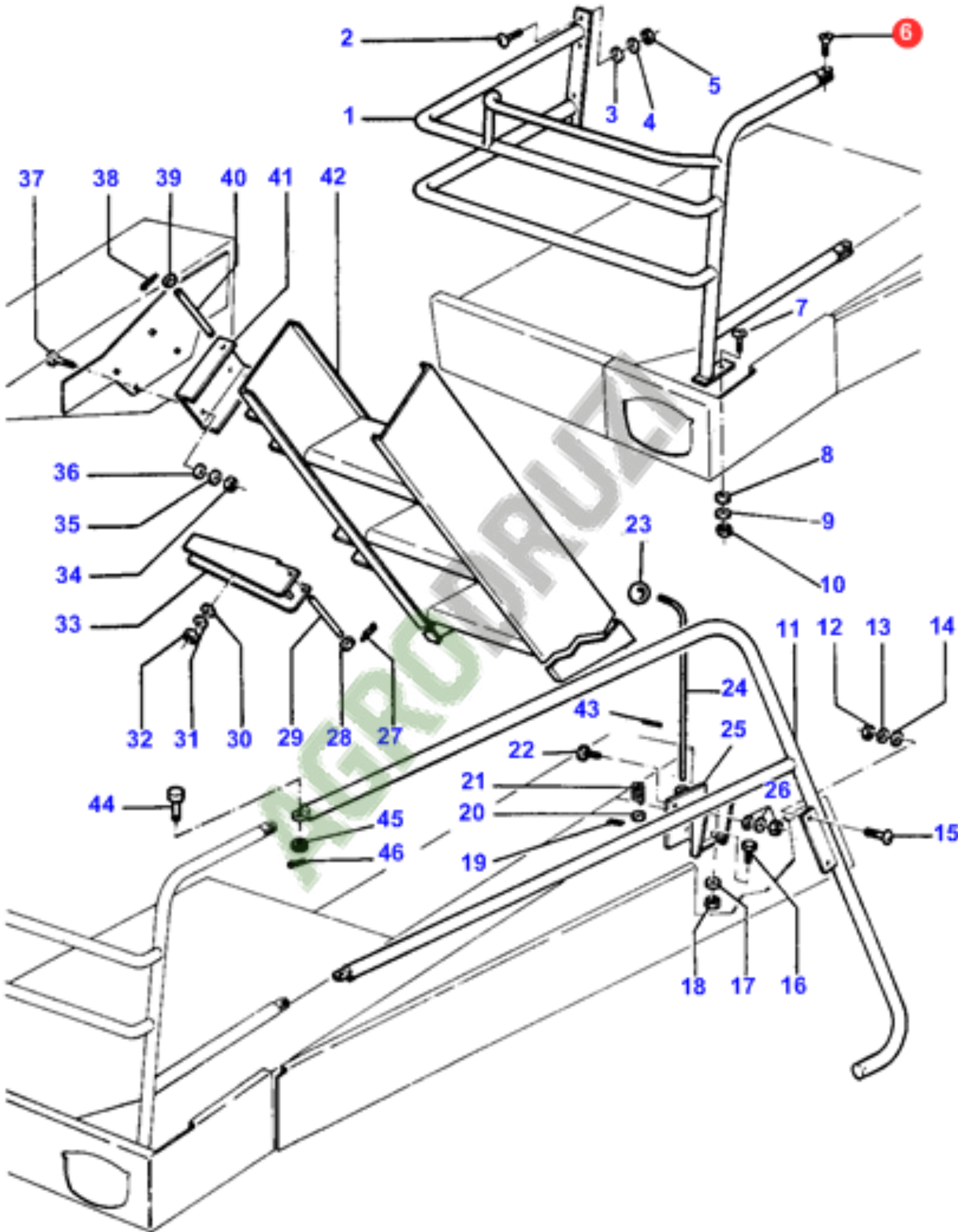


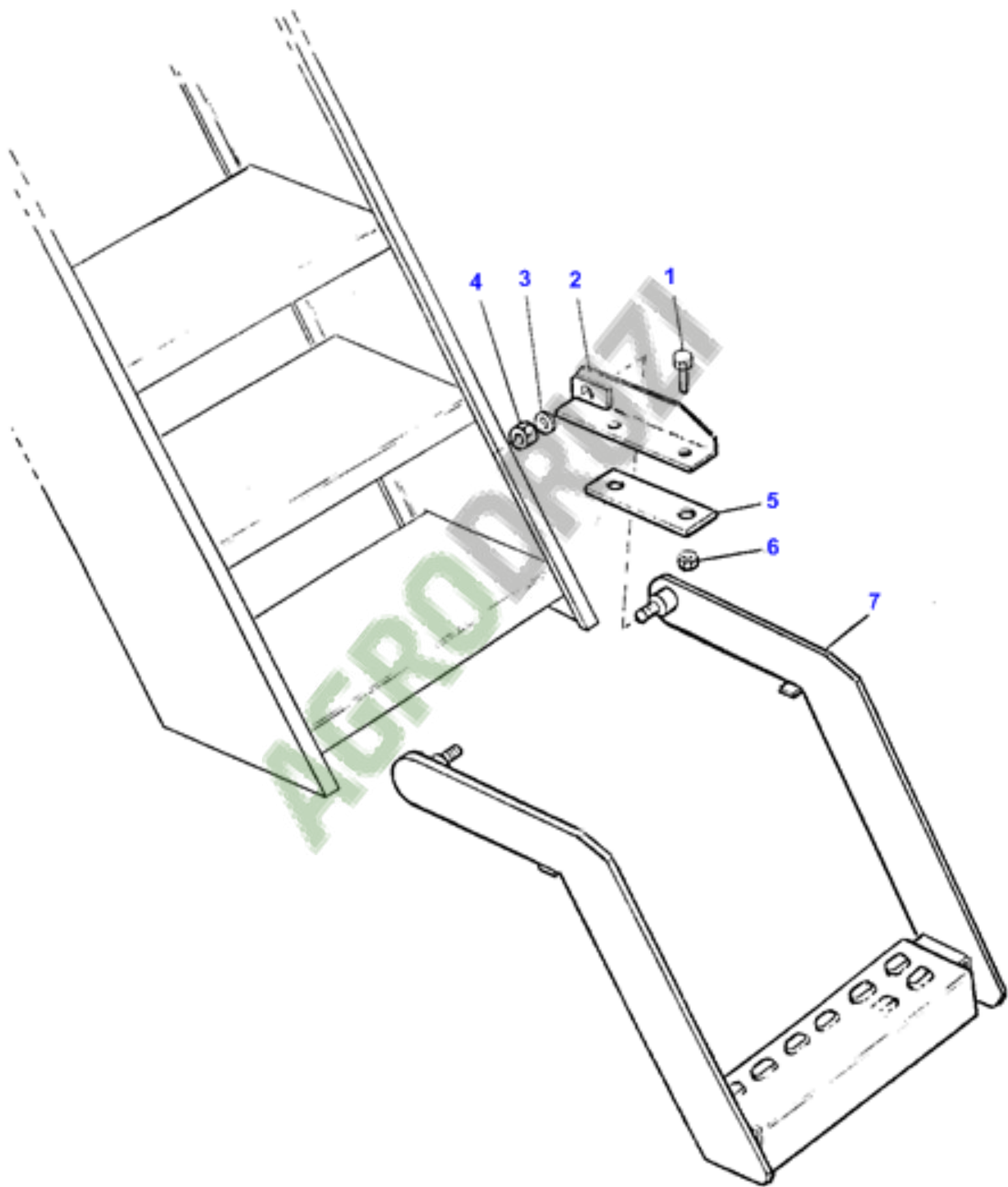


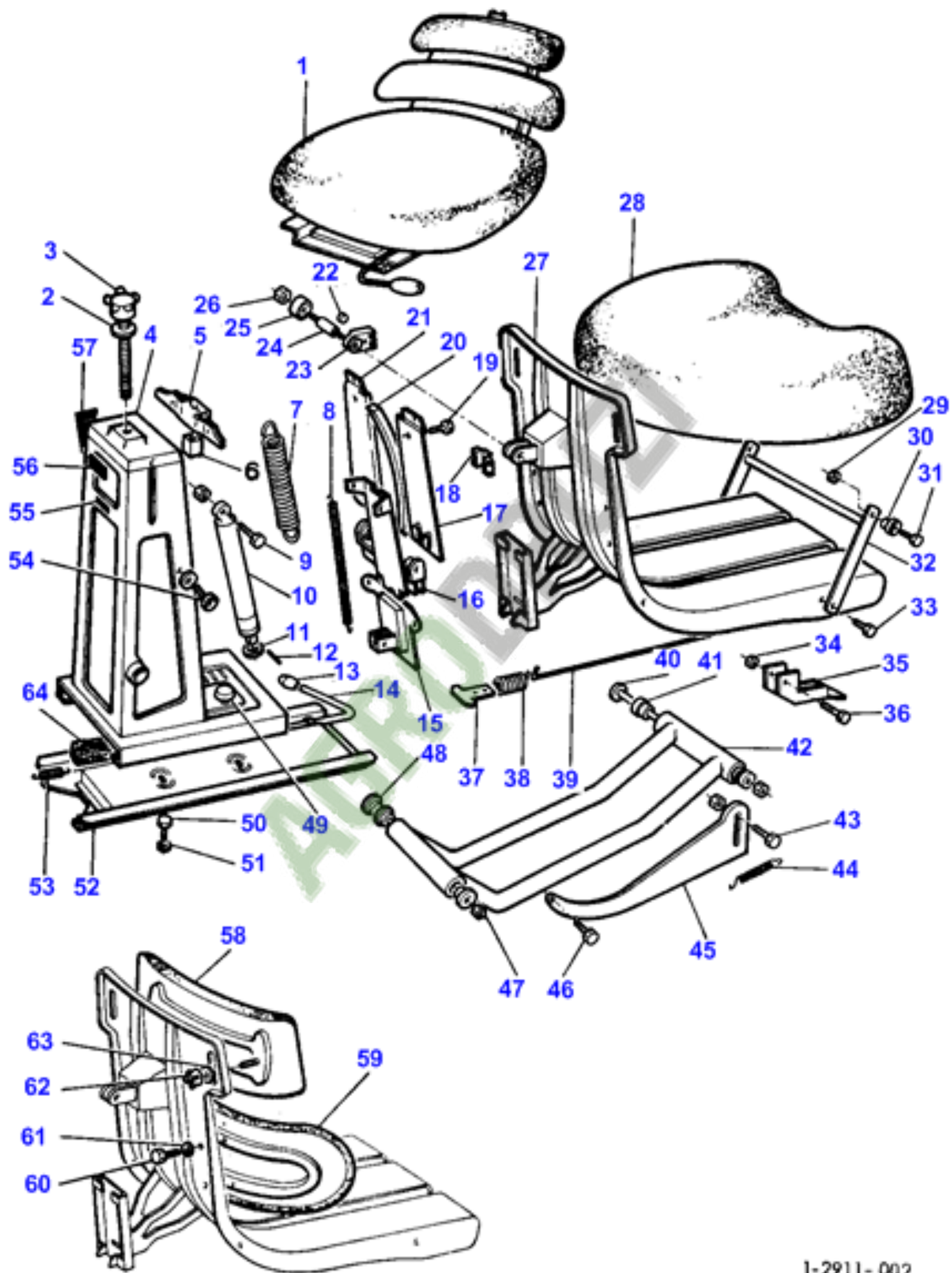


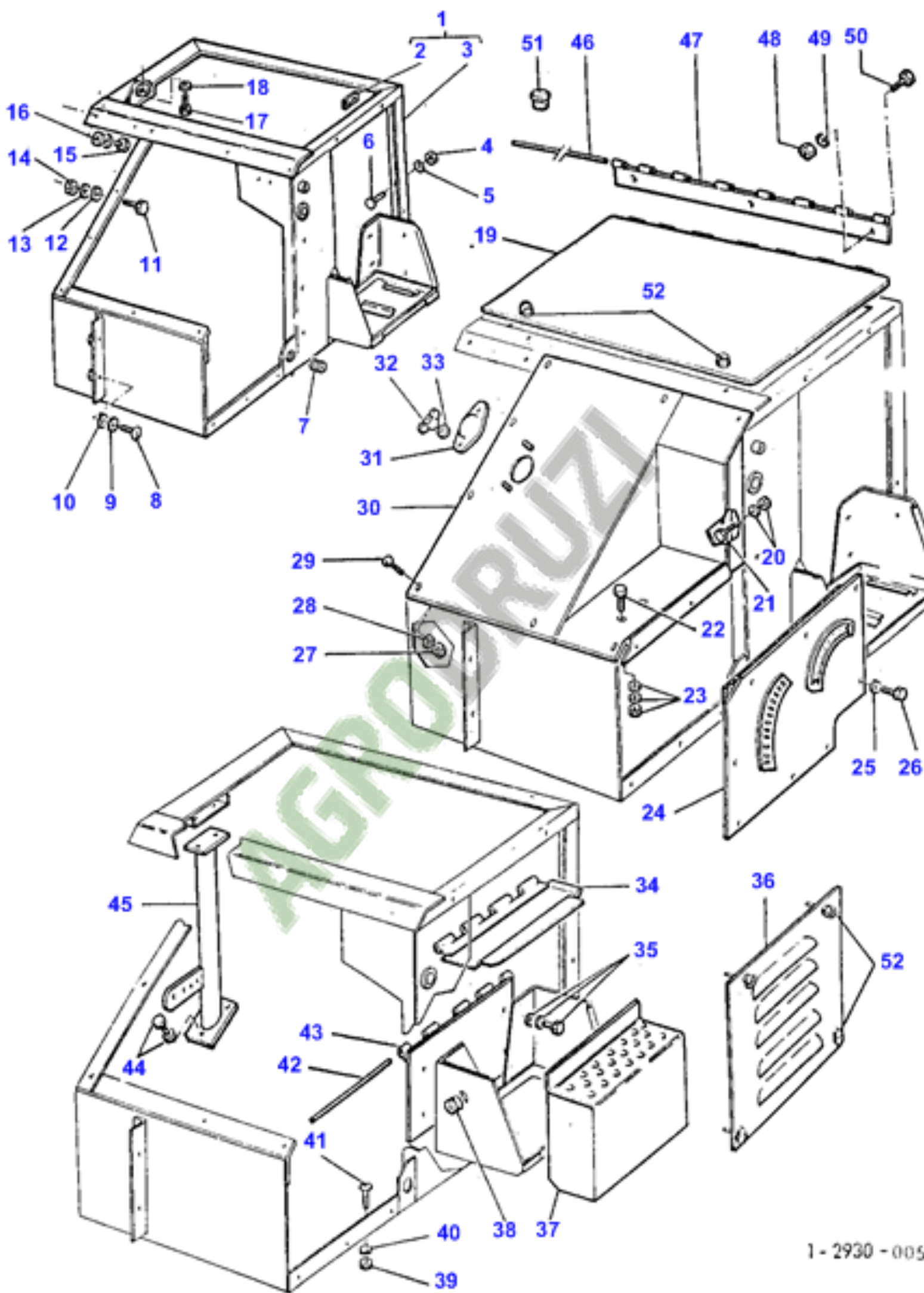




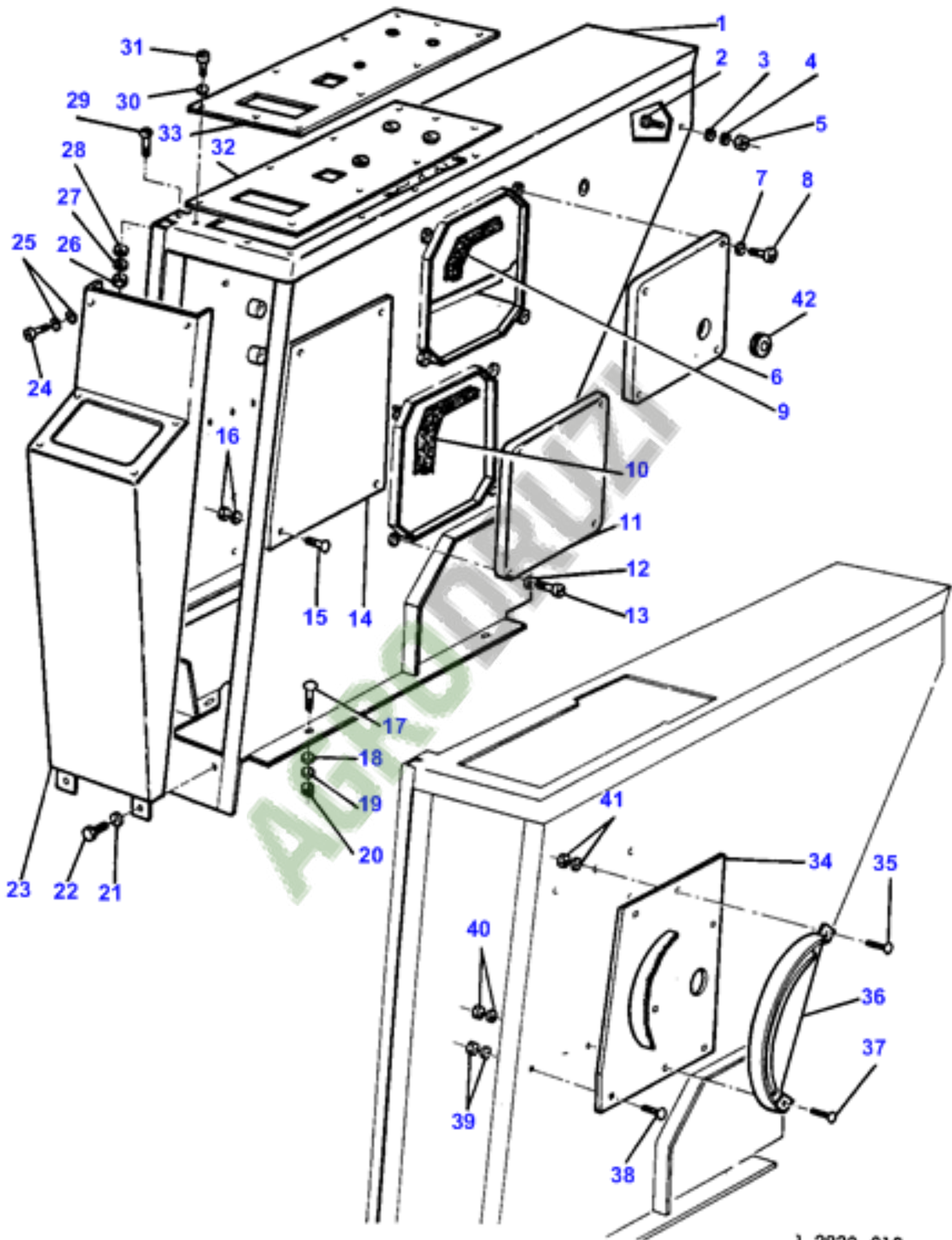




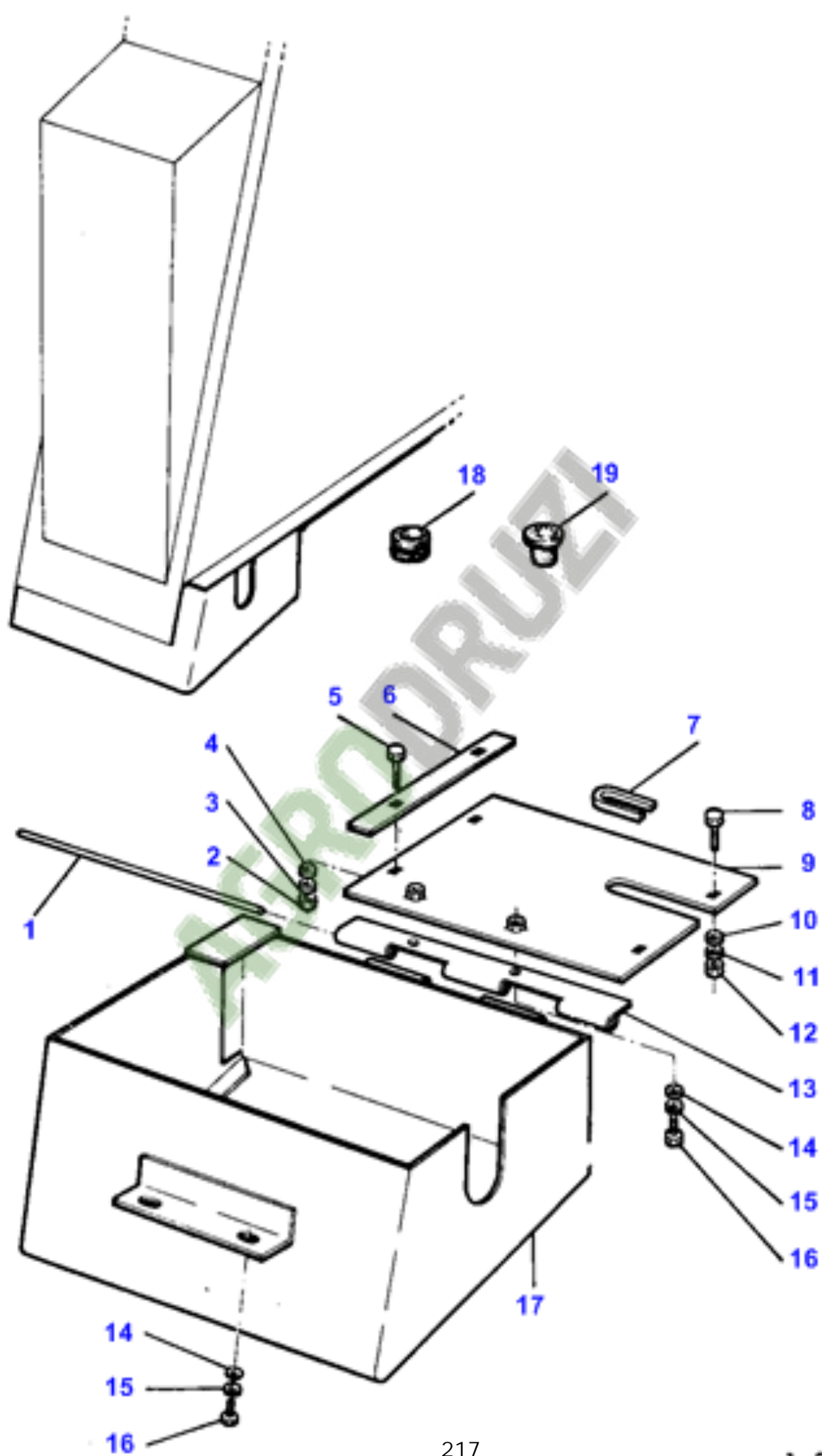


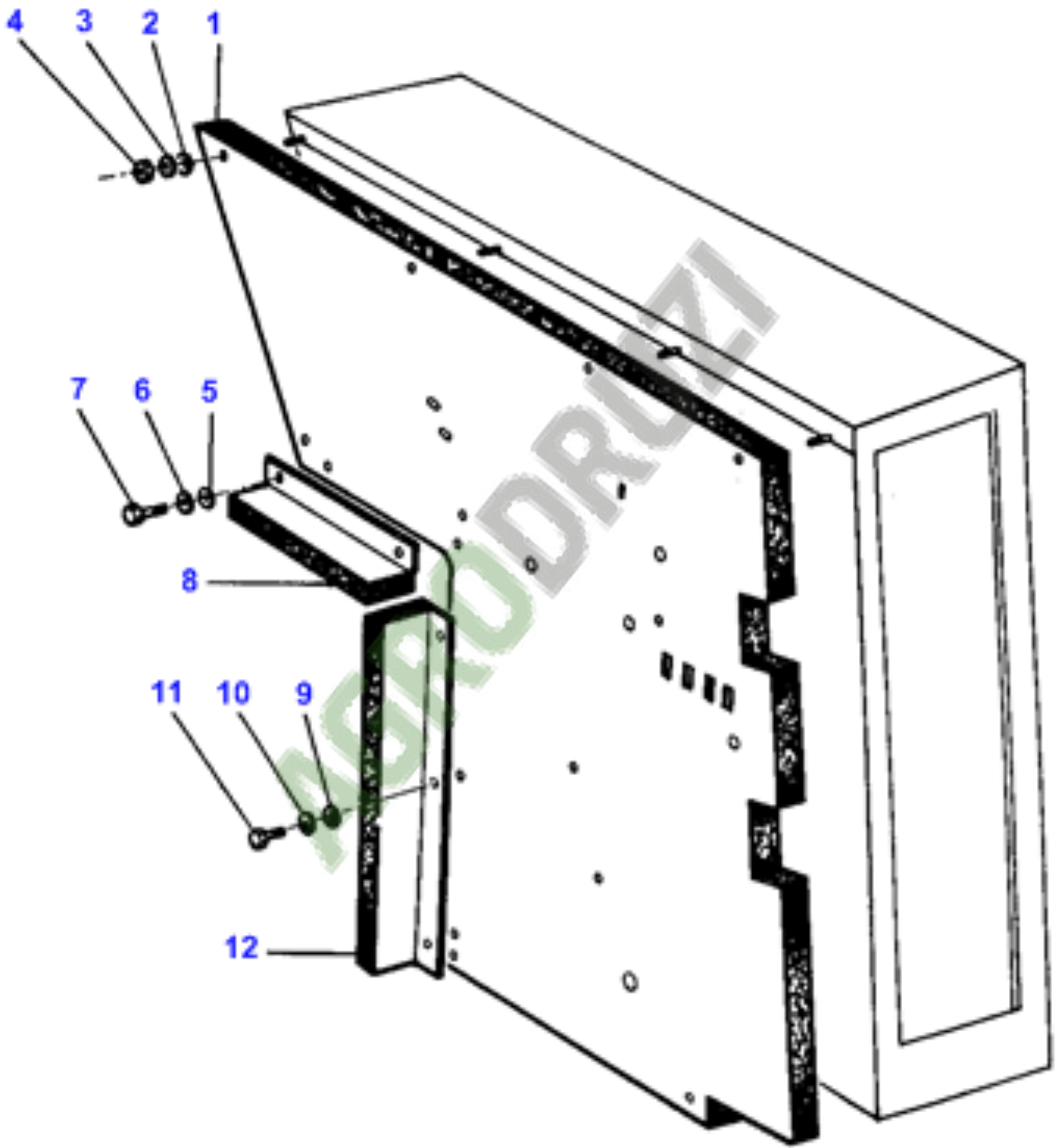


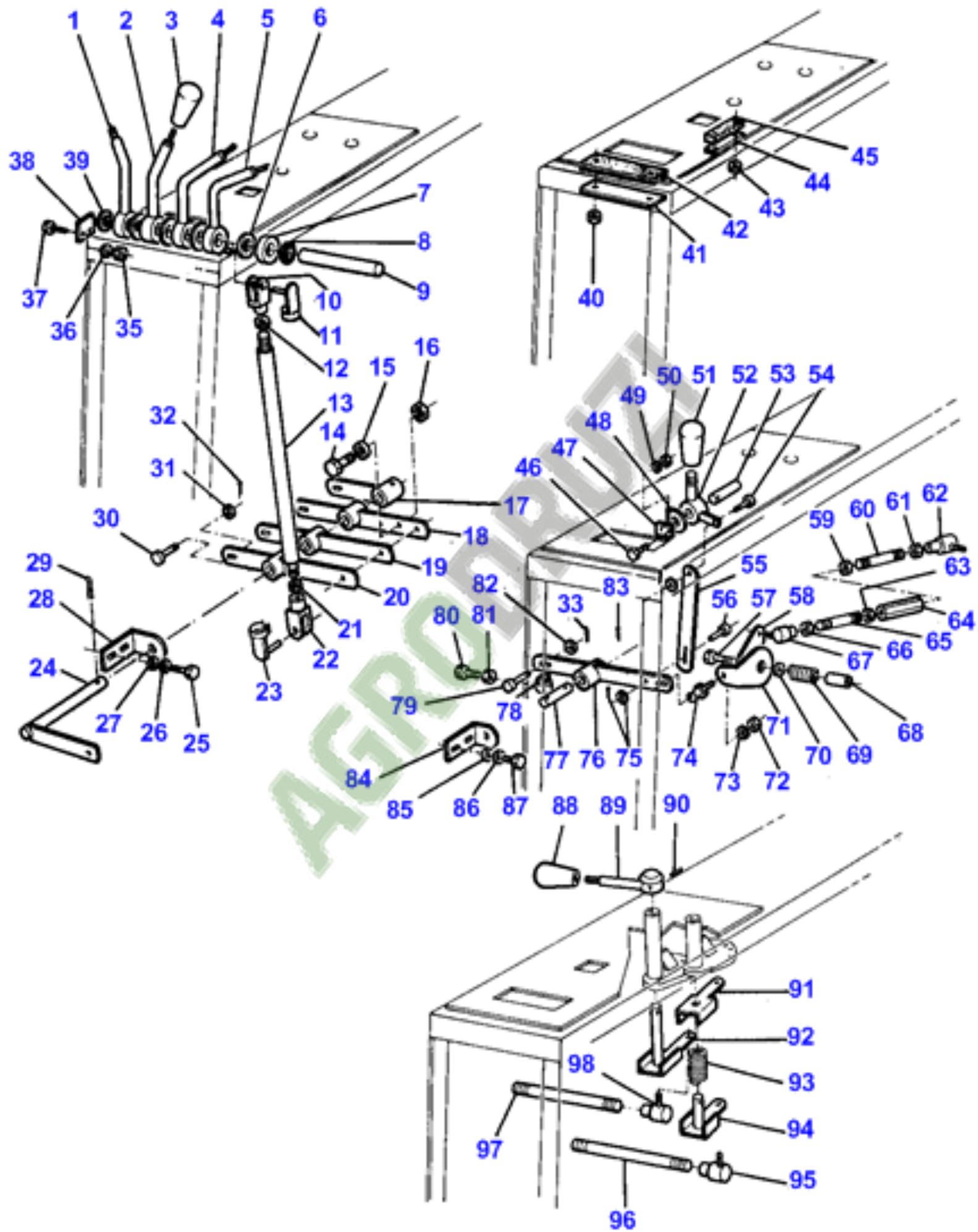
1 - 2930 - 005

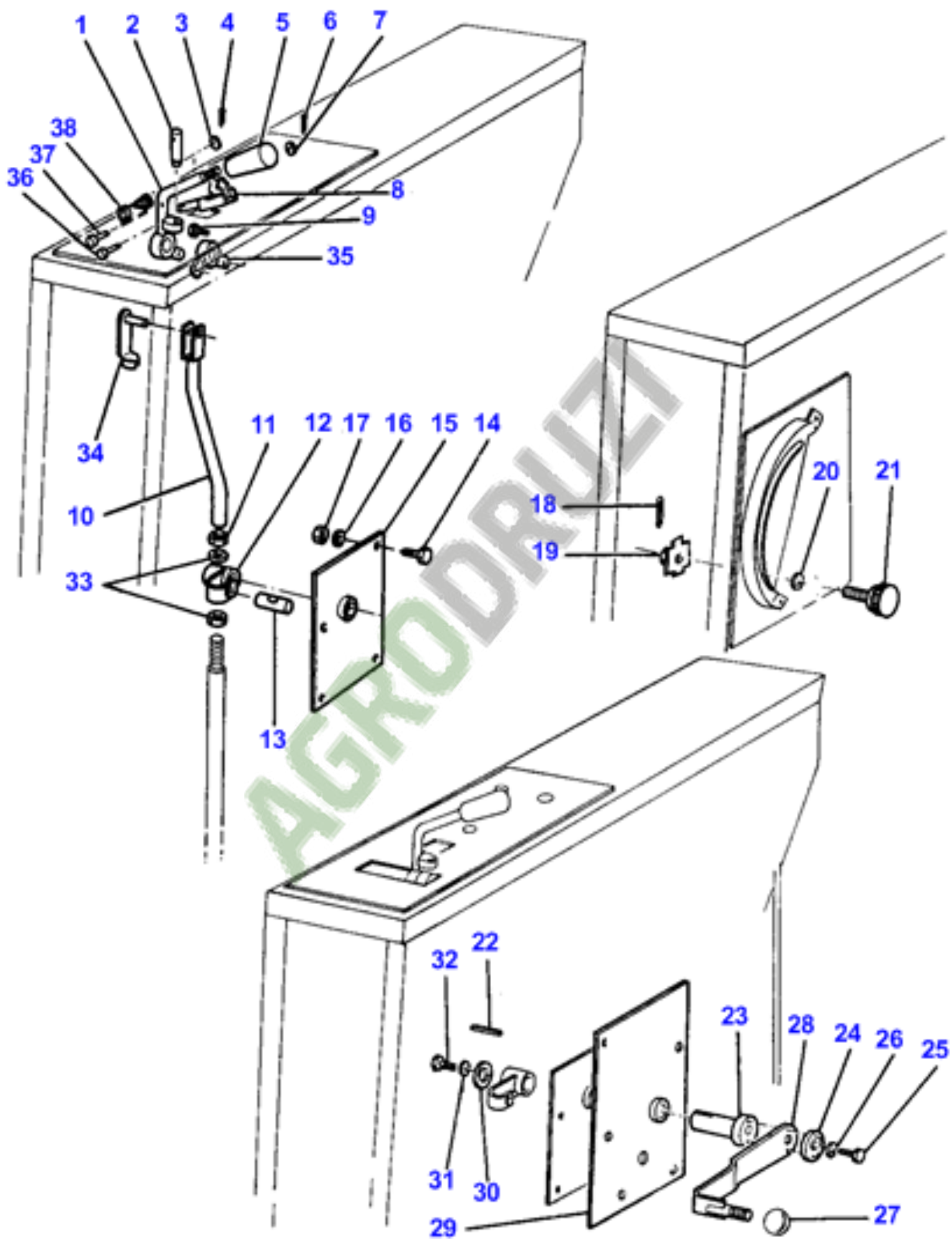


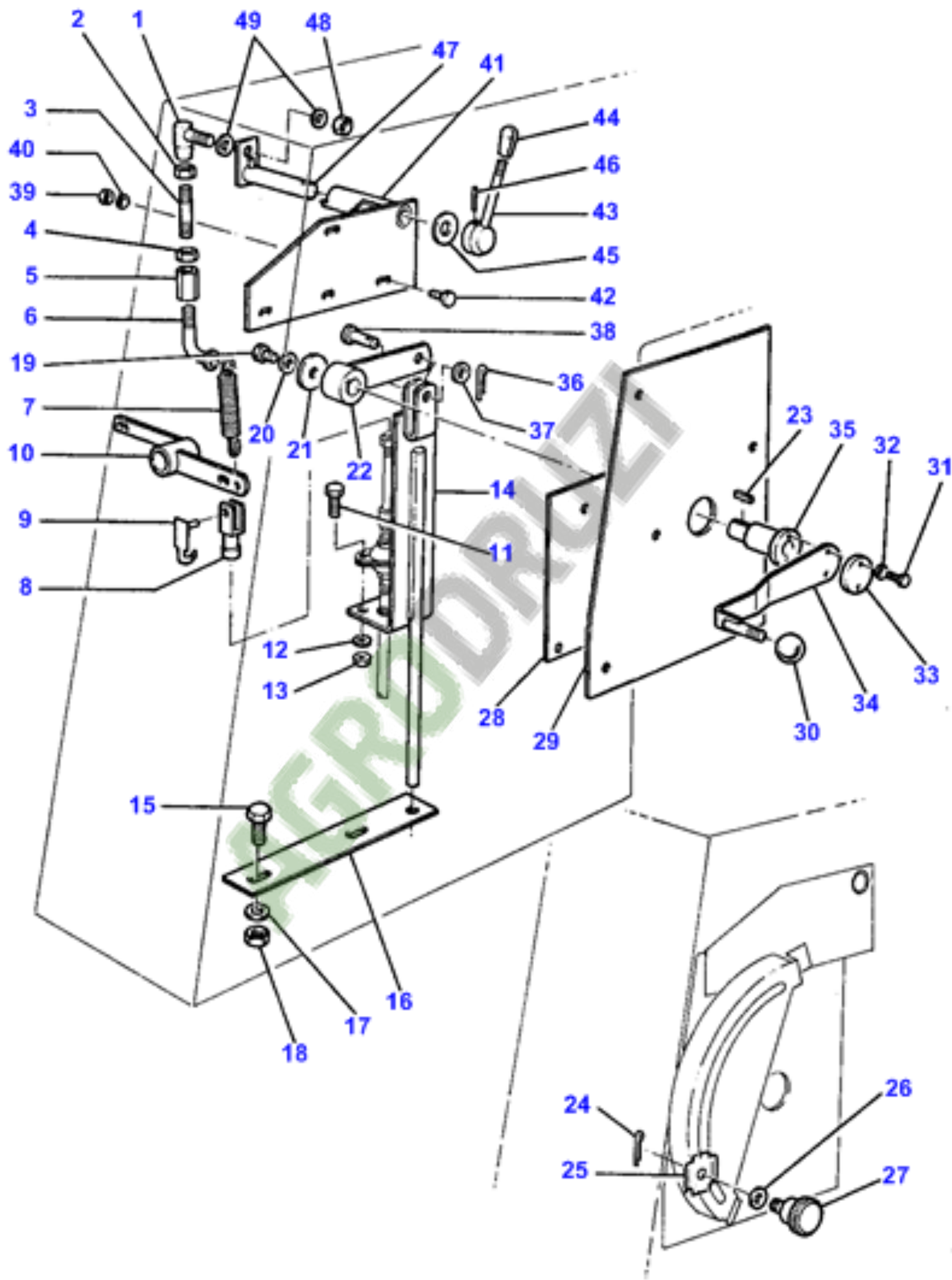
1-2920-018

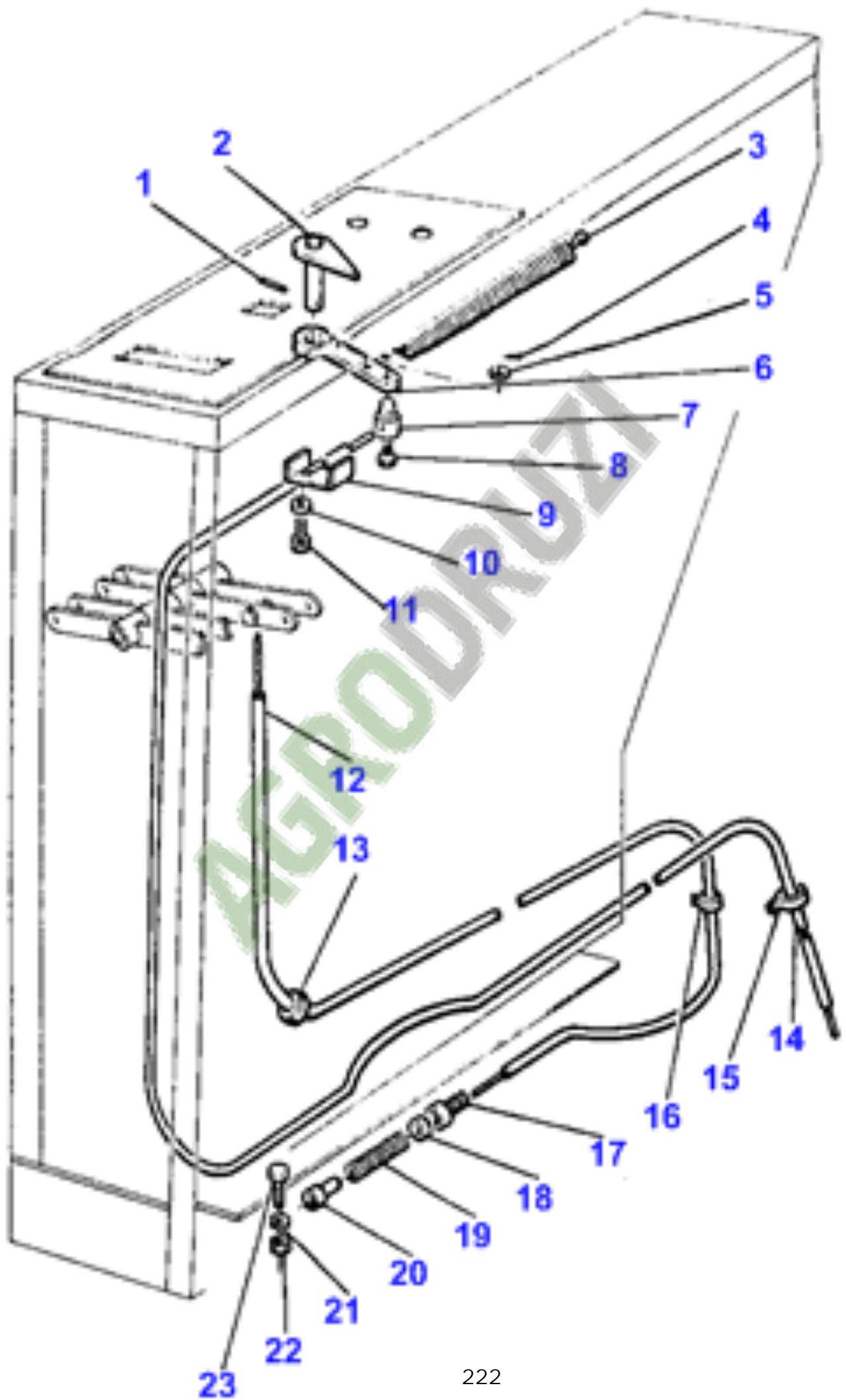


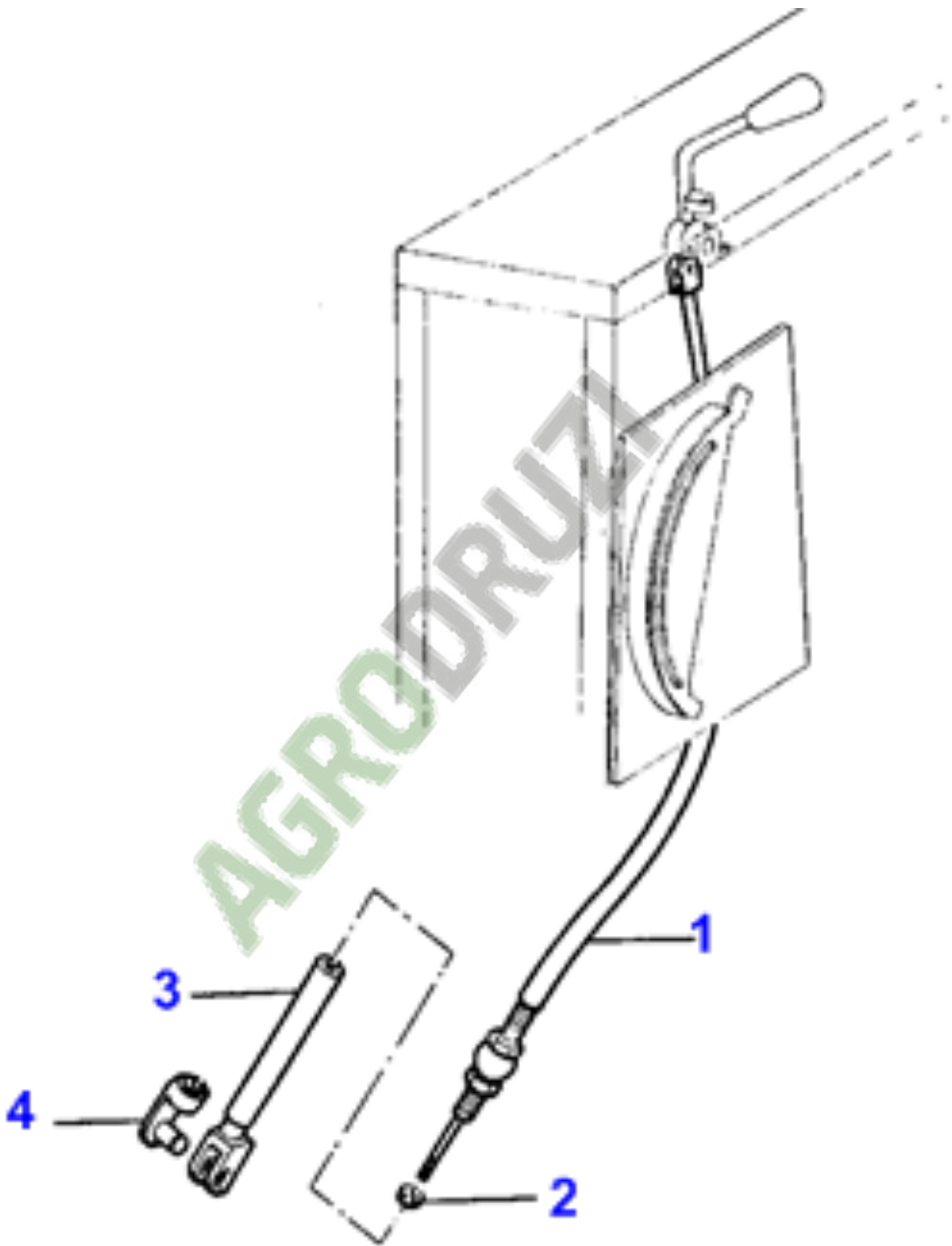


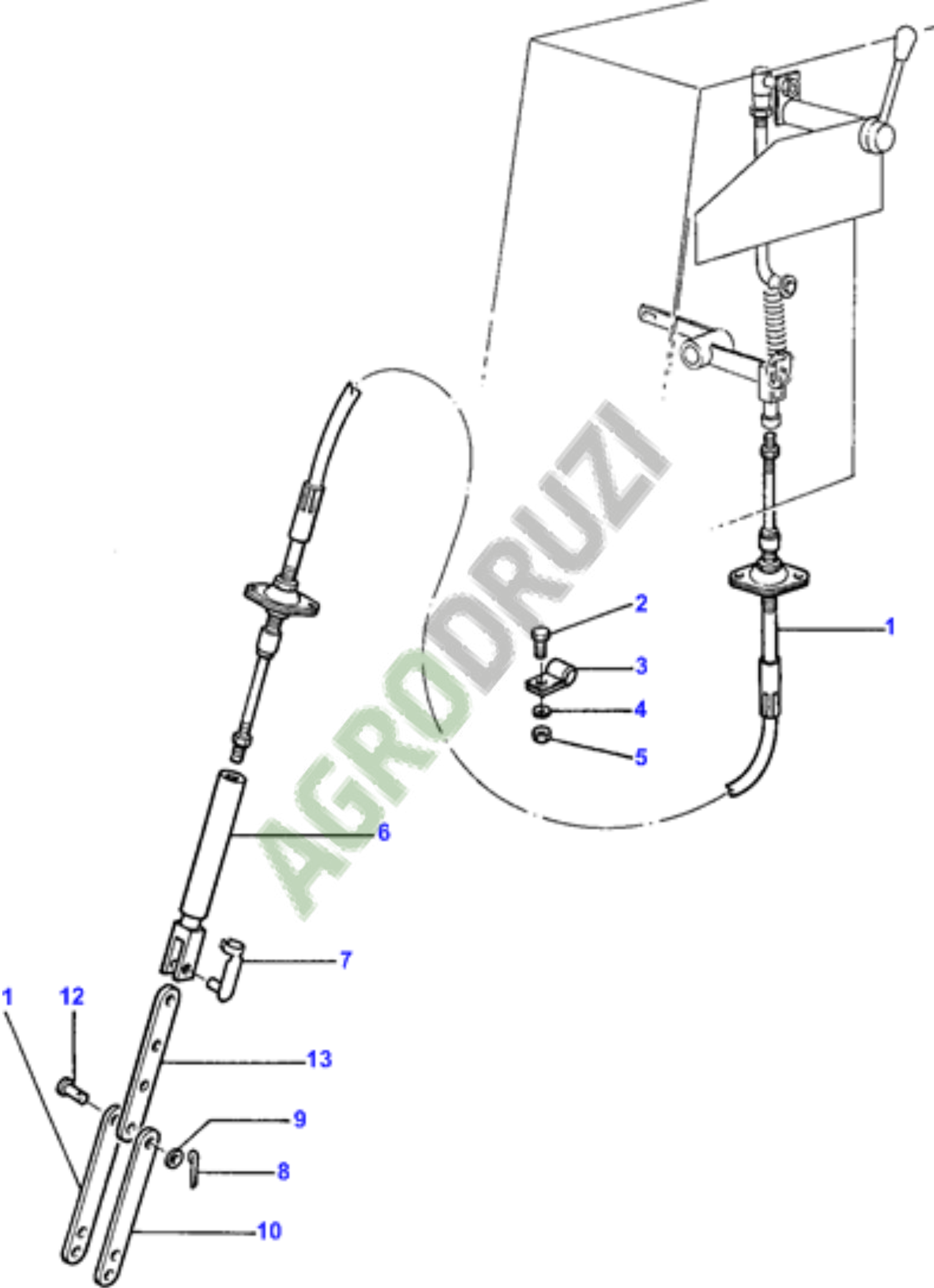


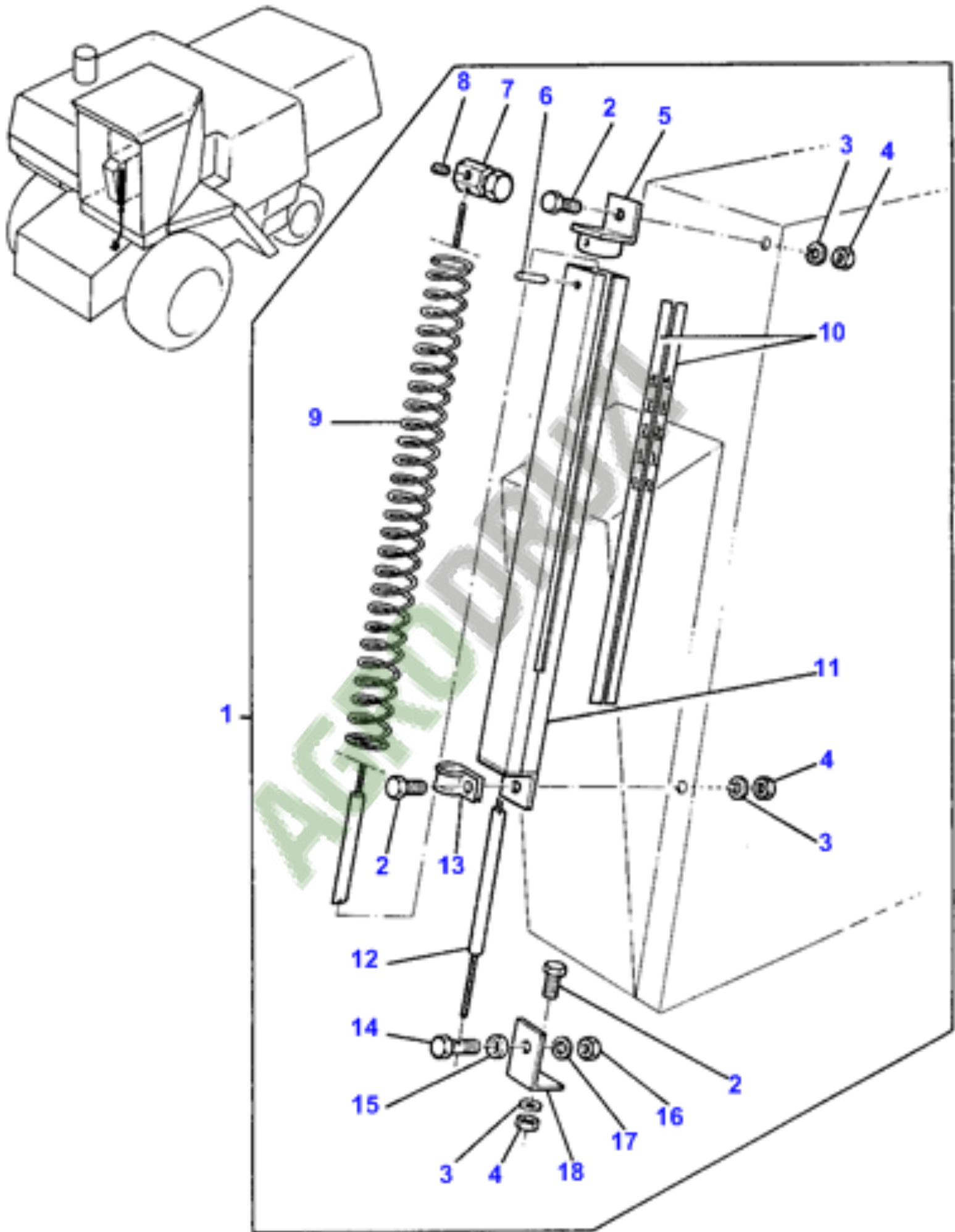


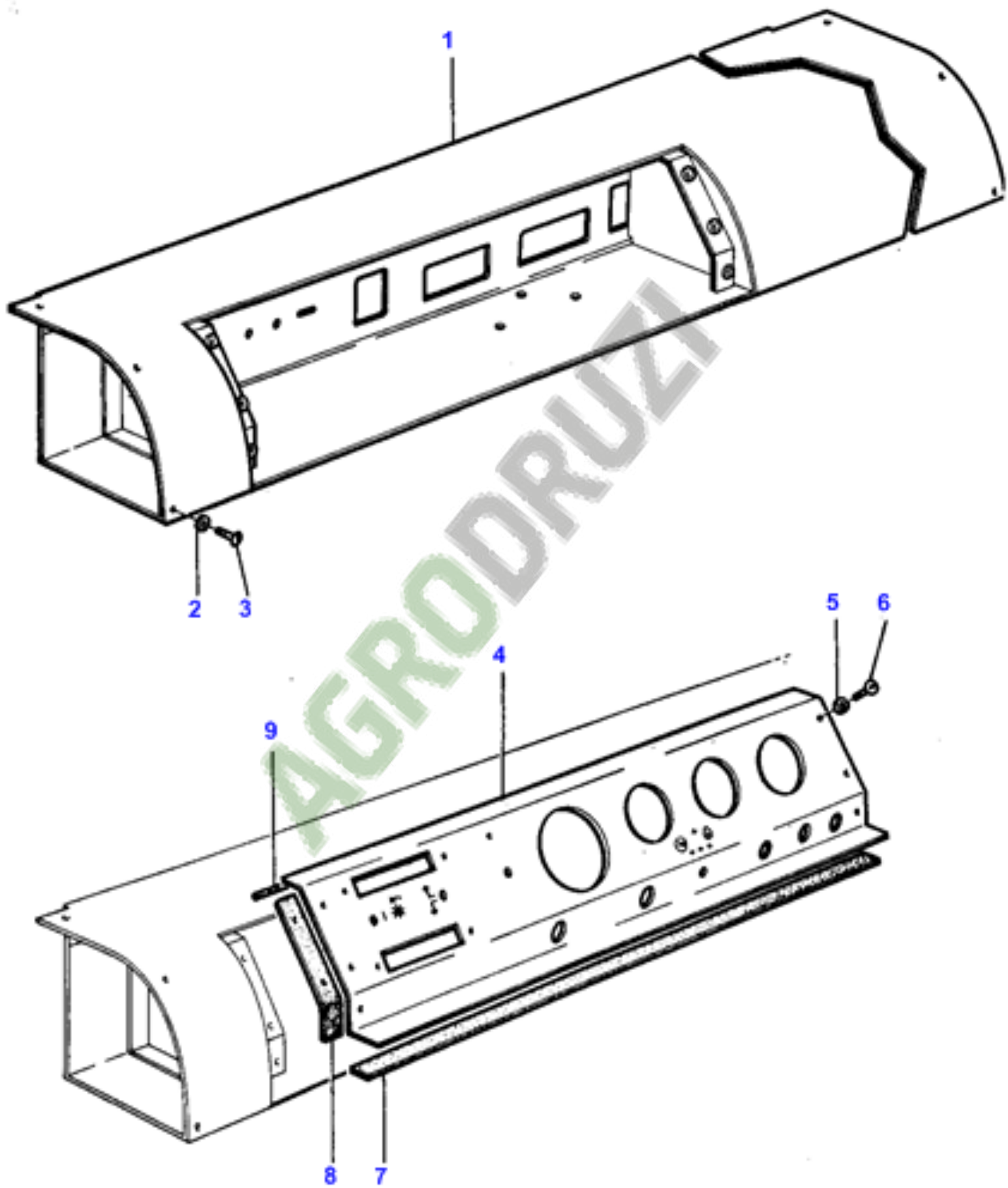


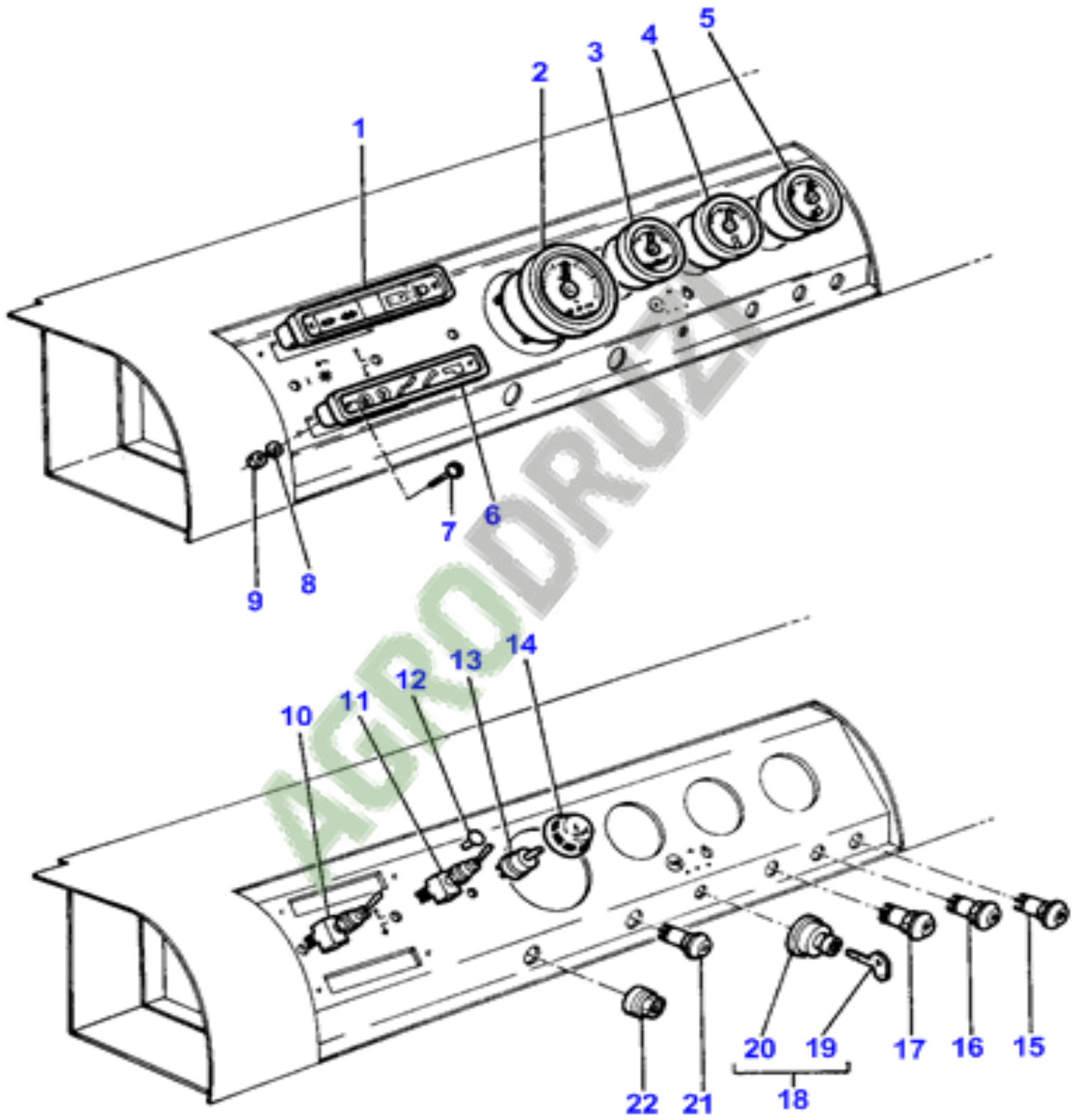


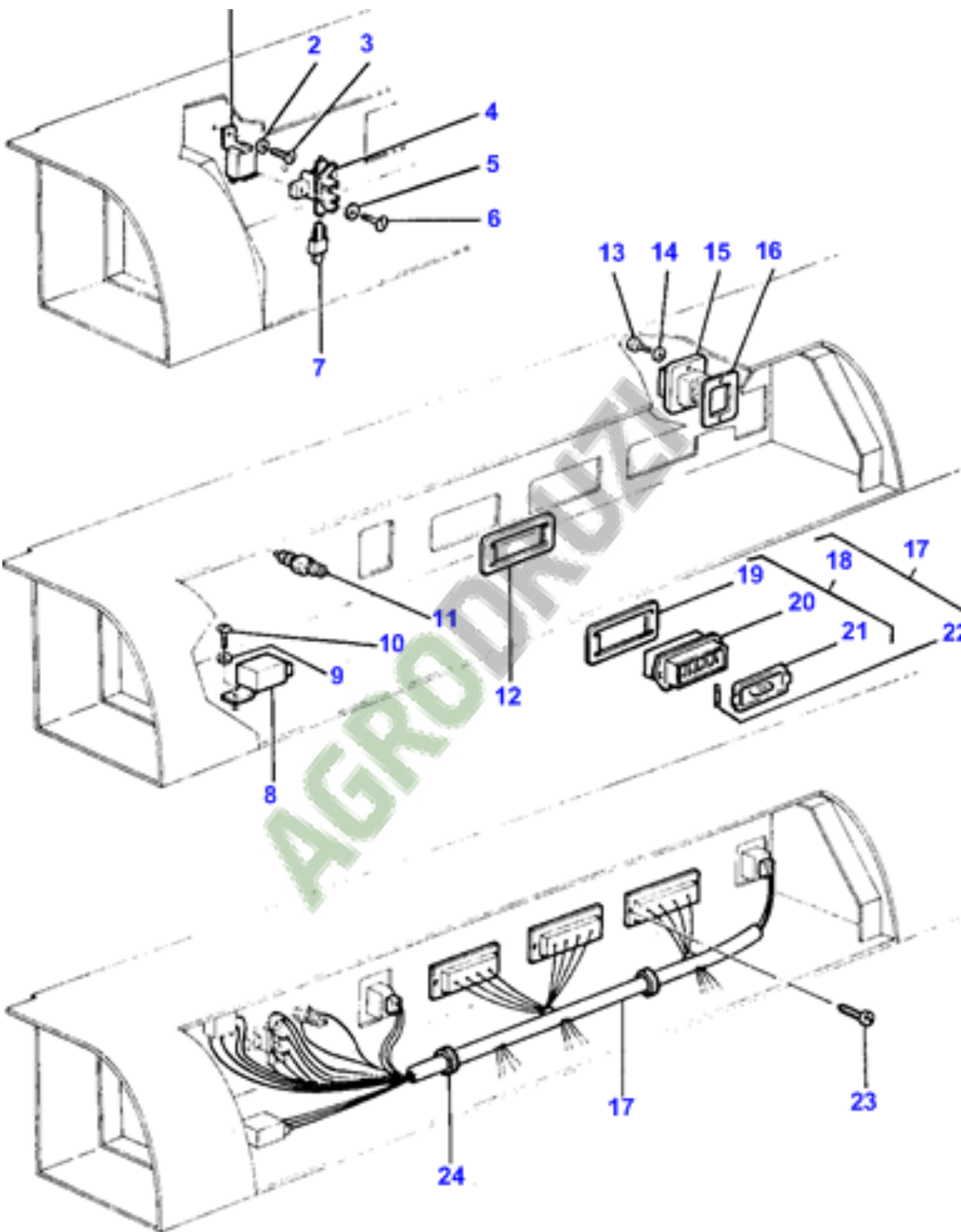


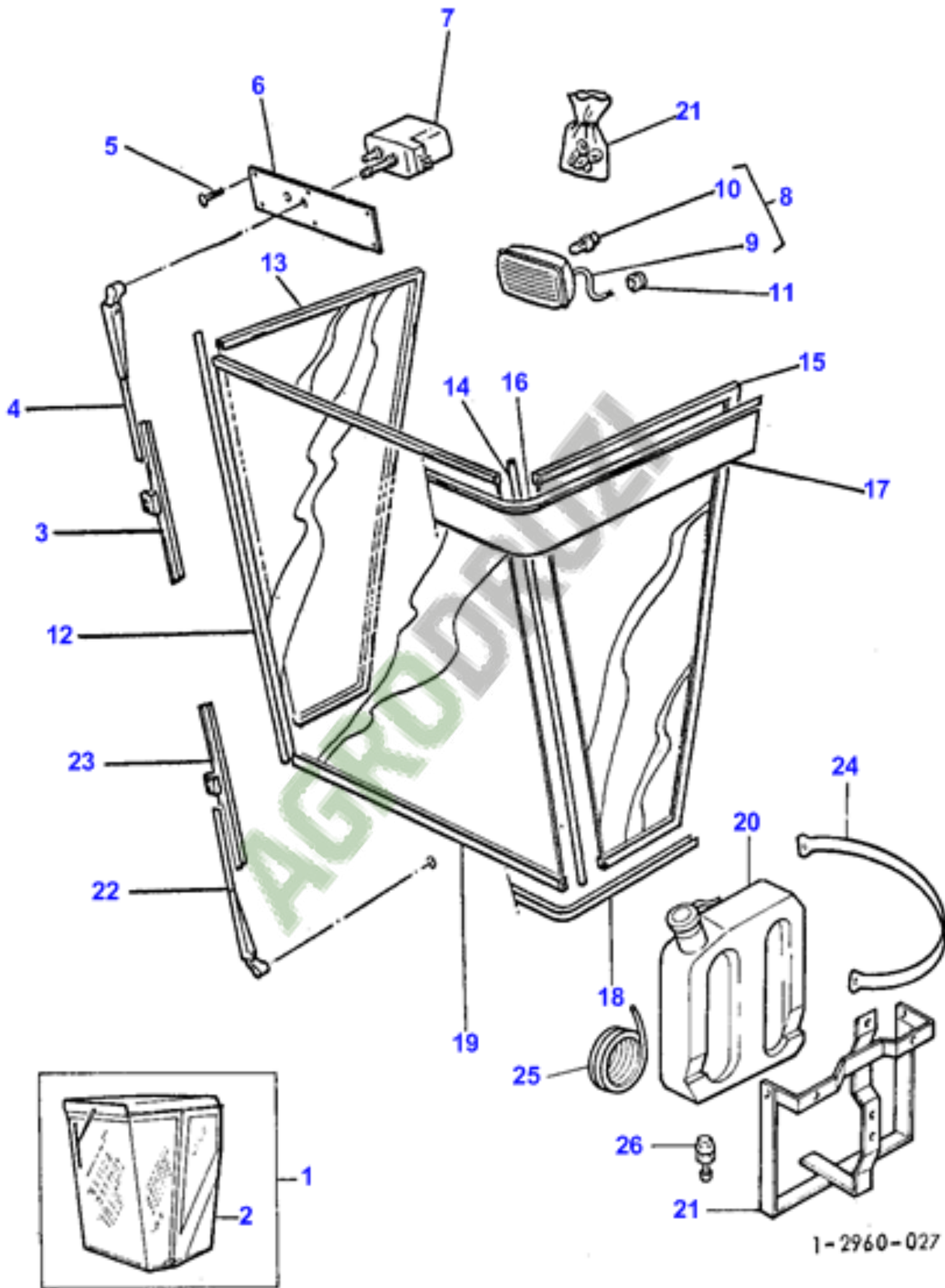


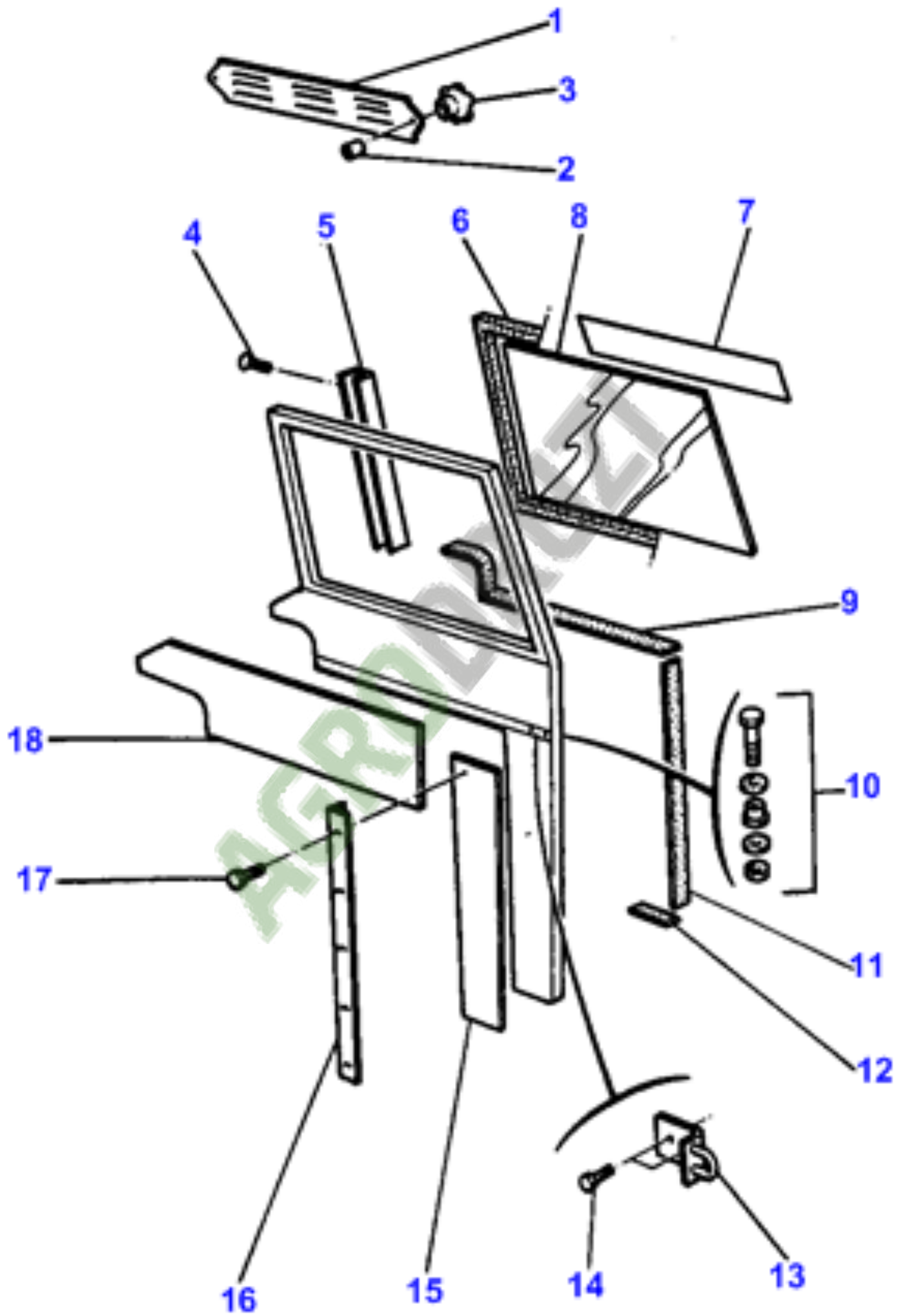


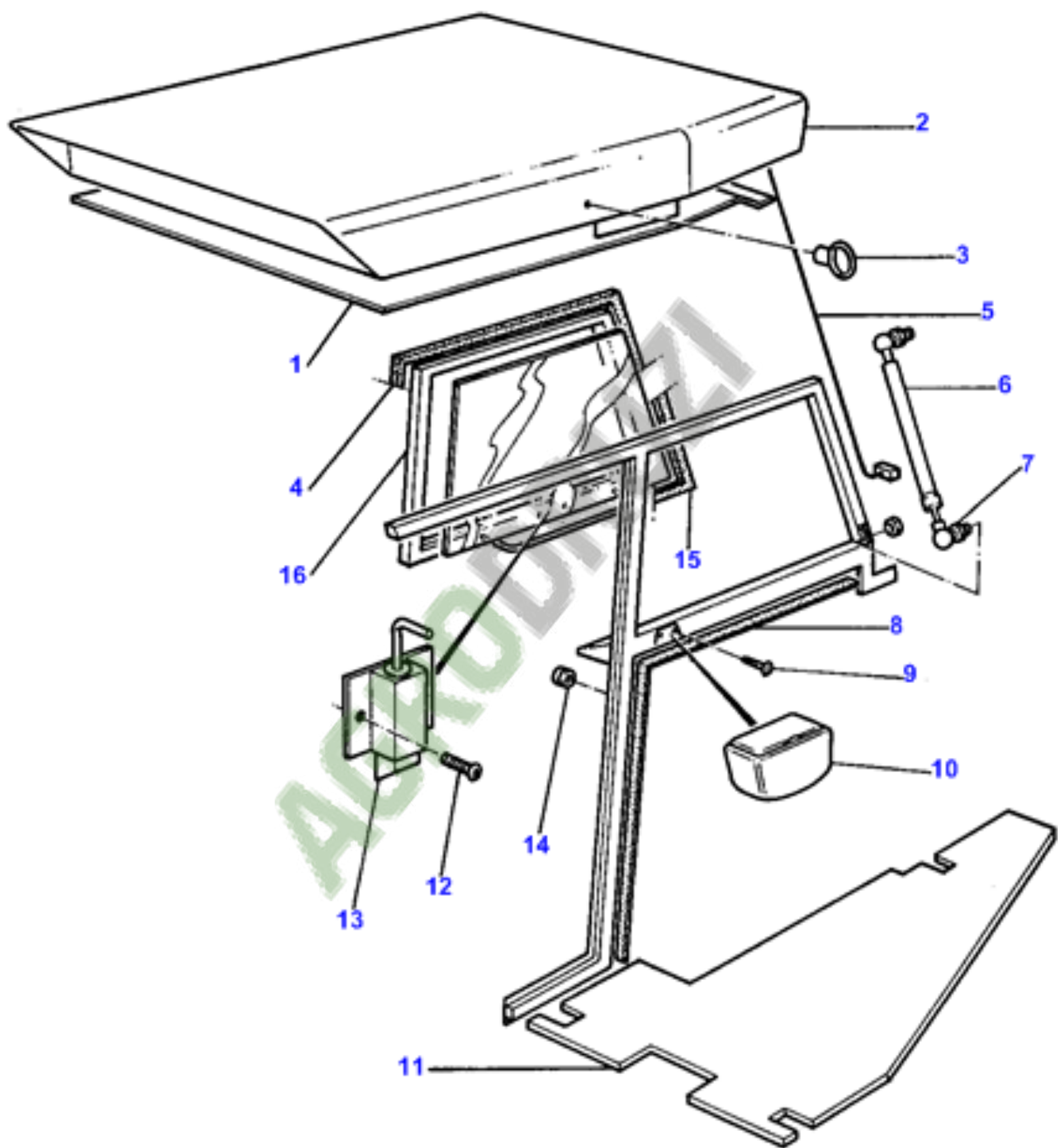


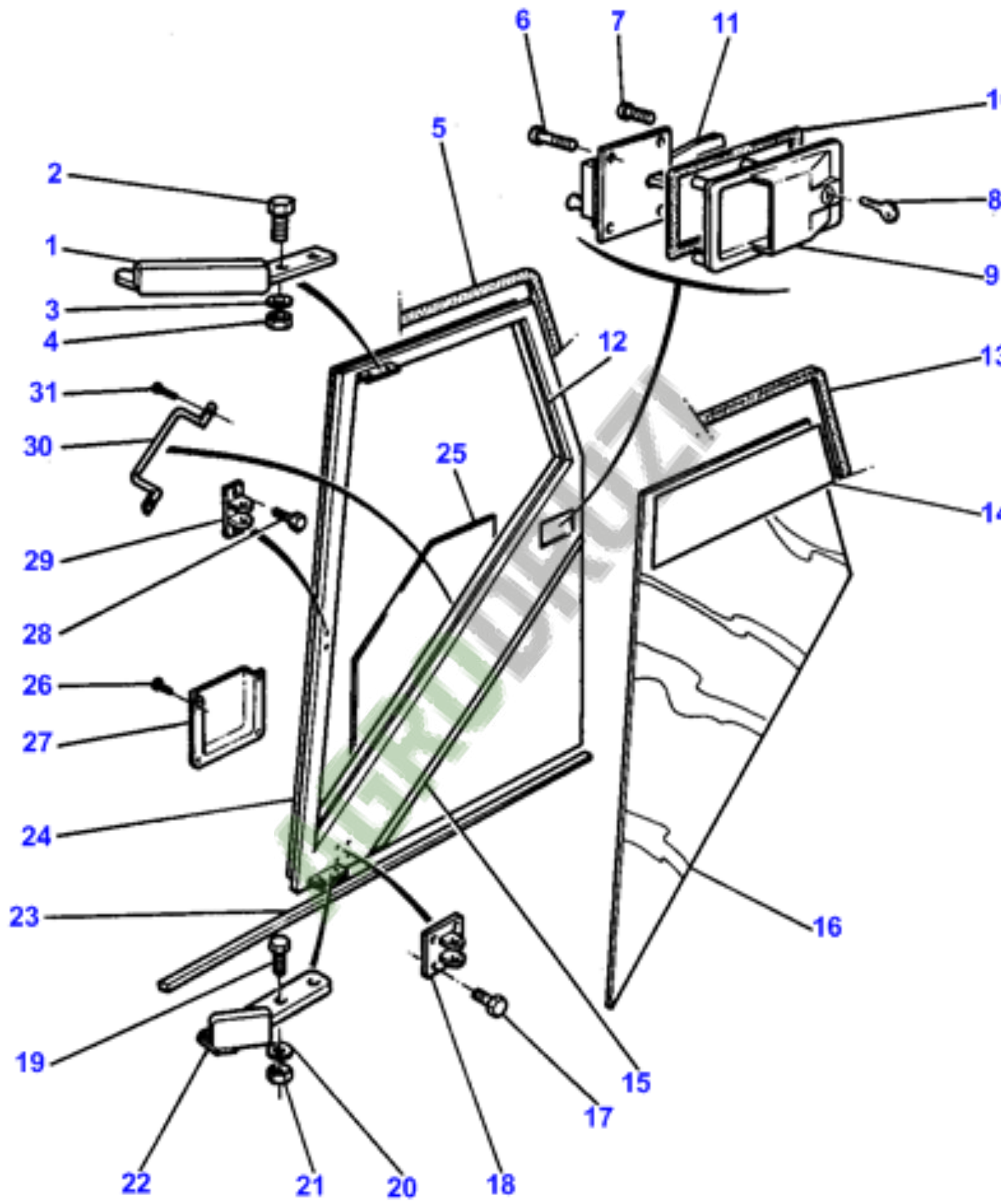


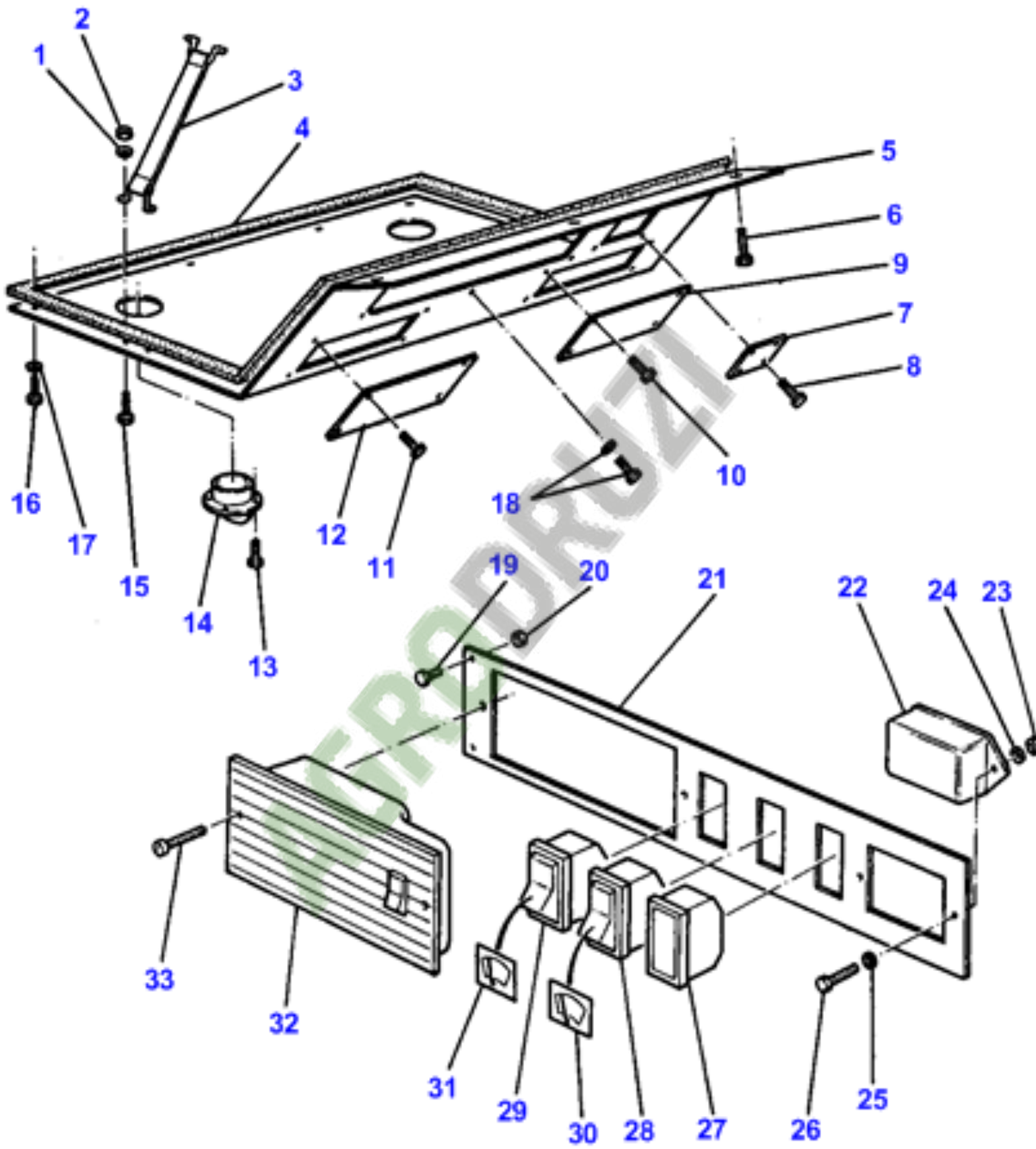


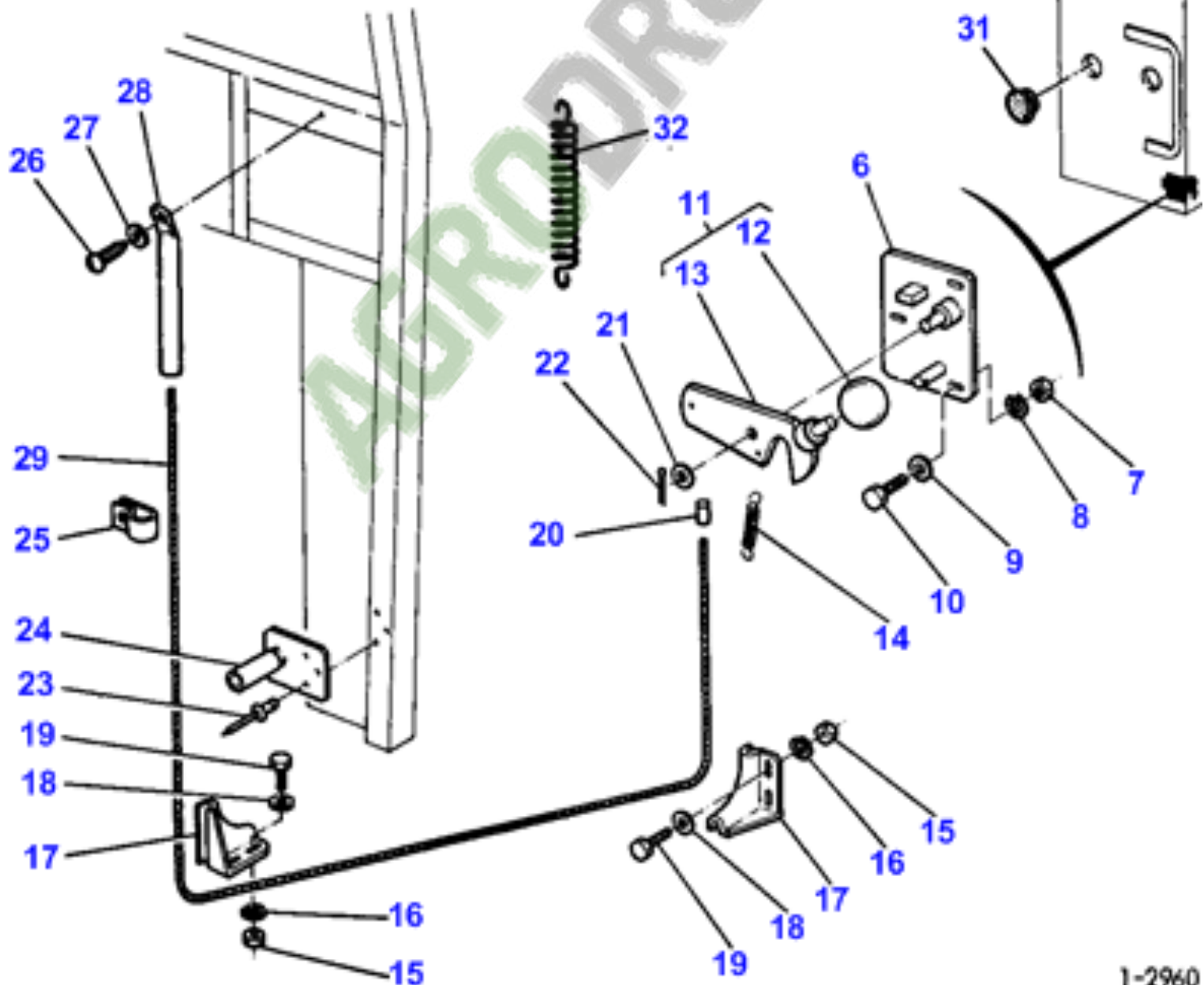
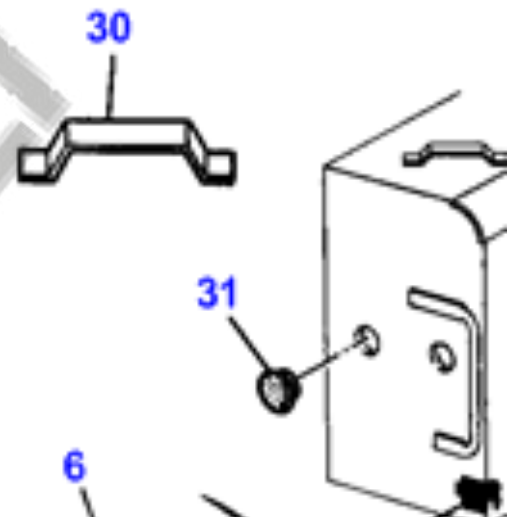
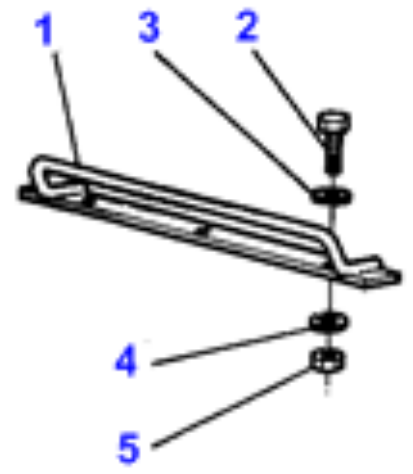
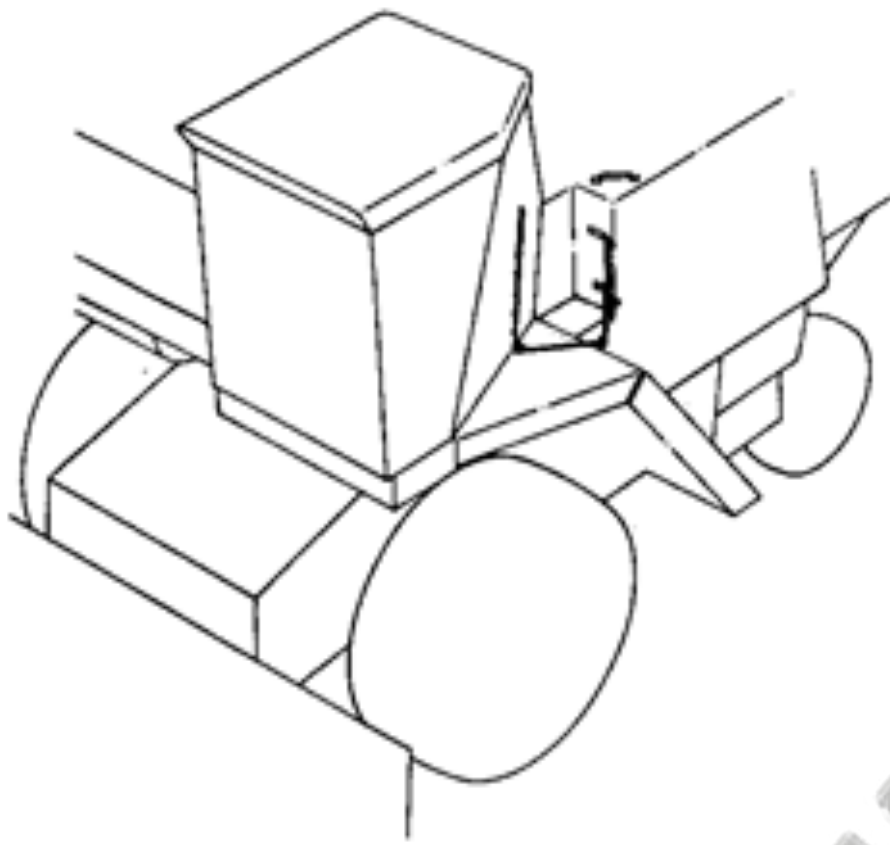


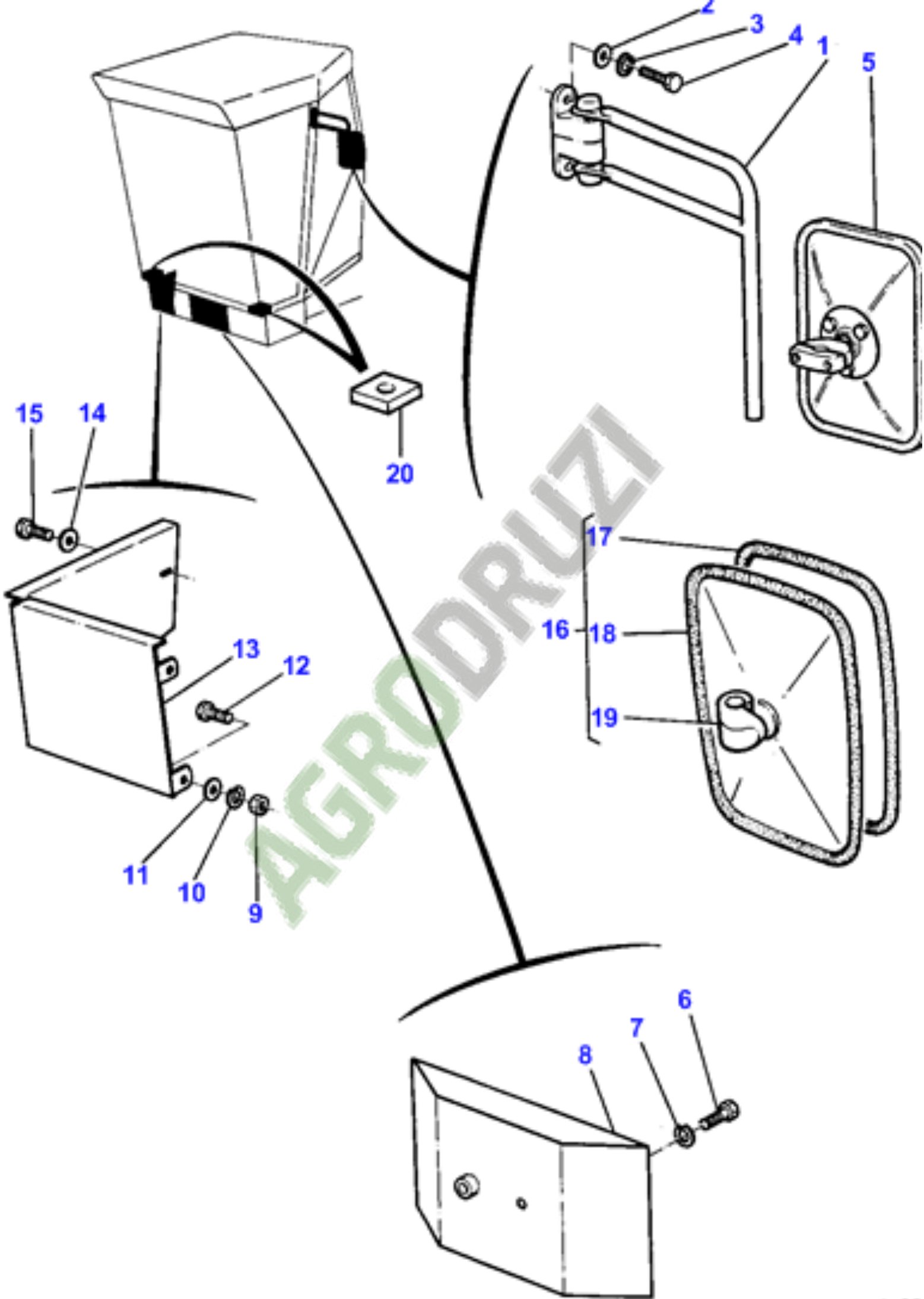


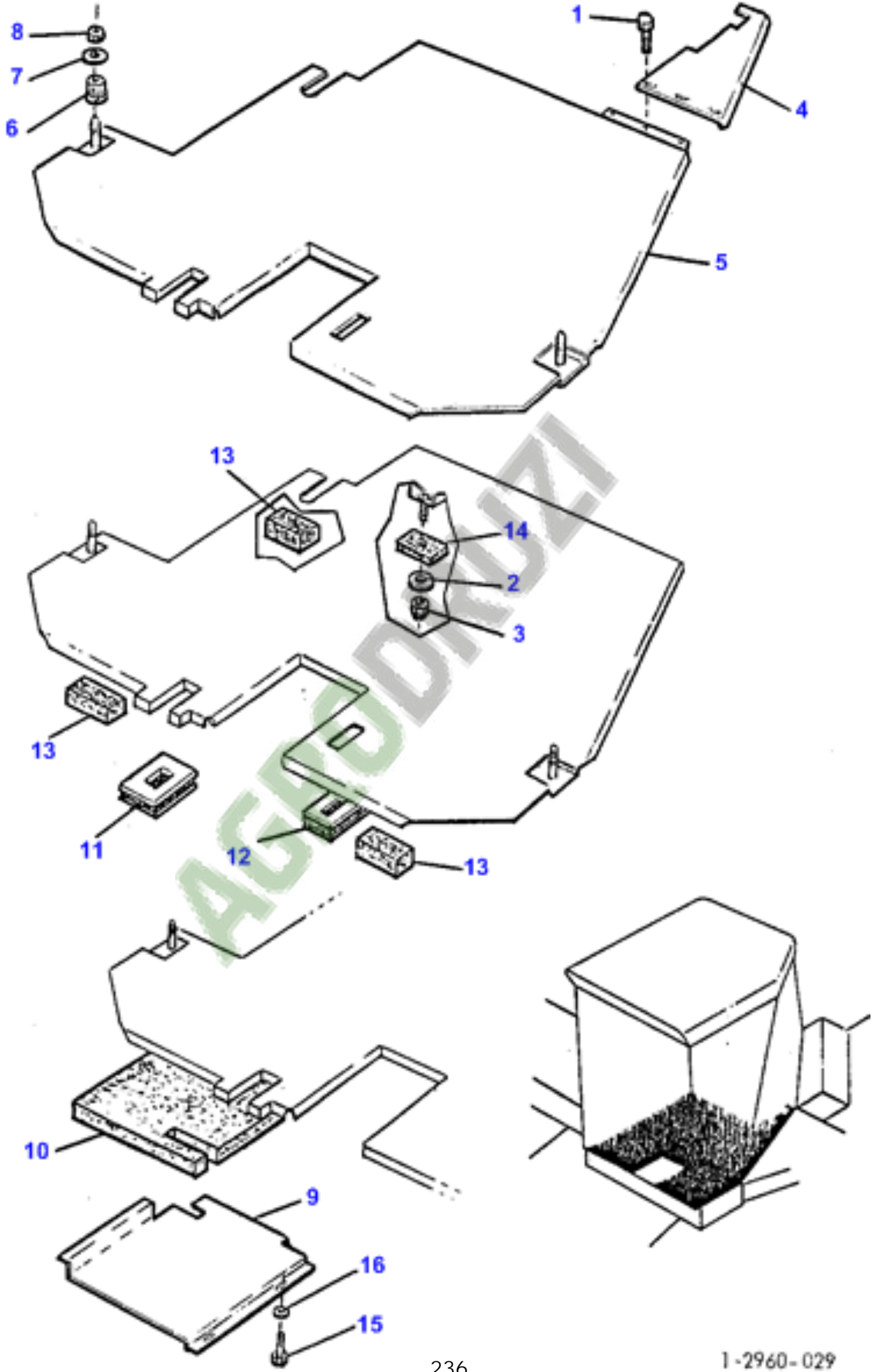


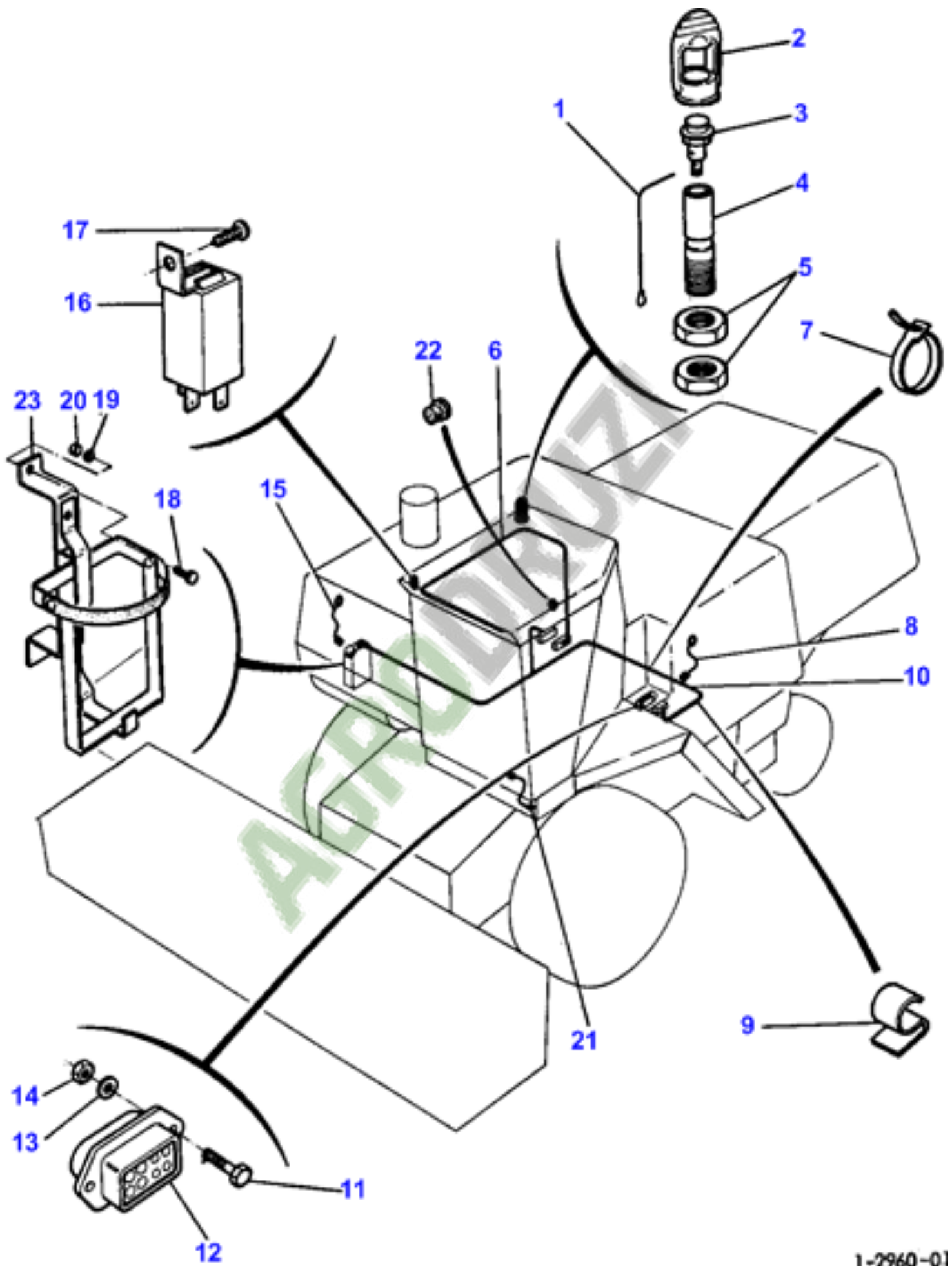




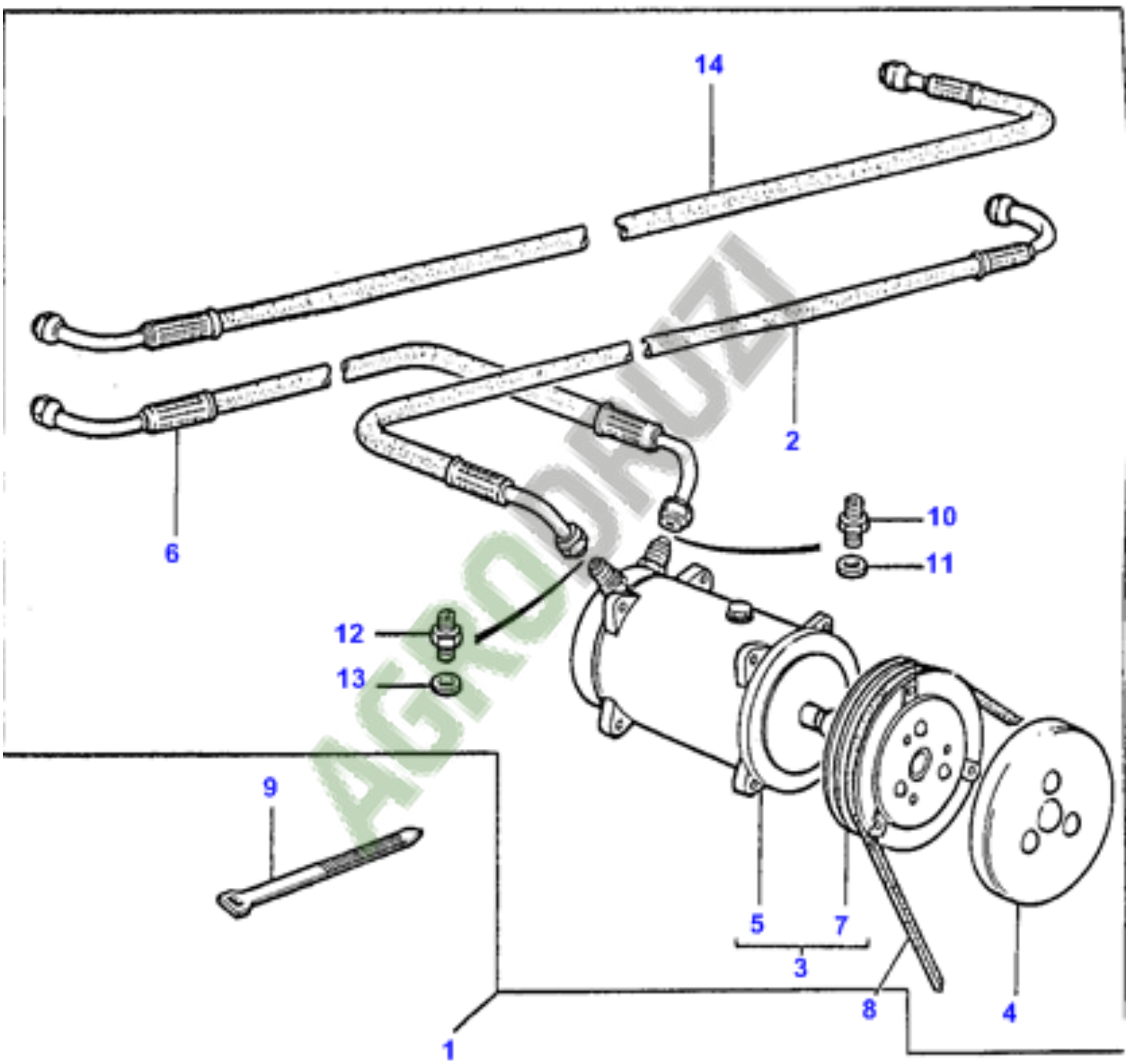


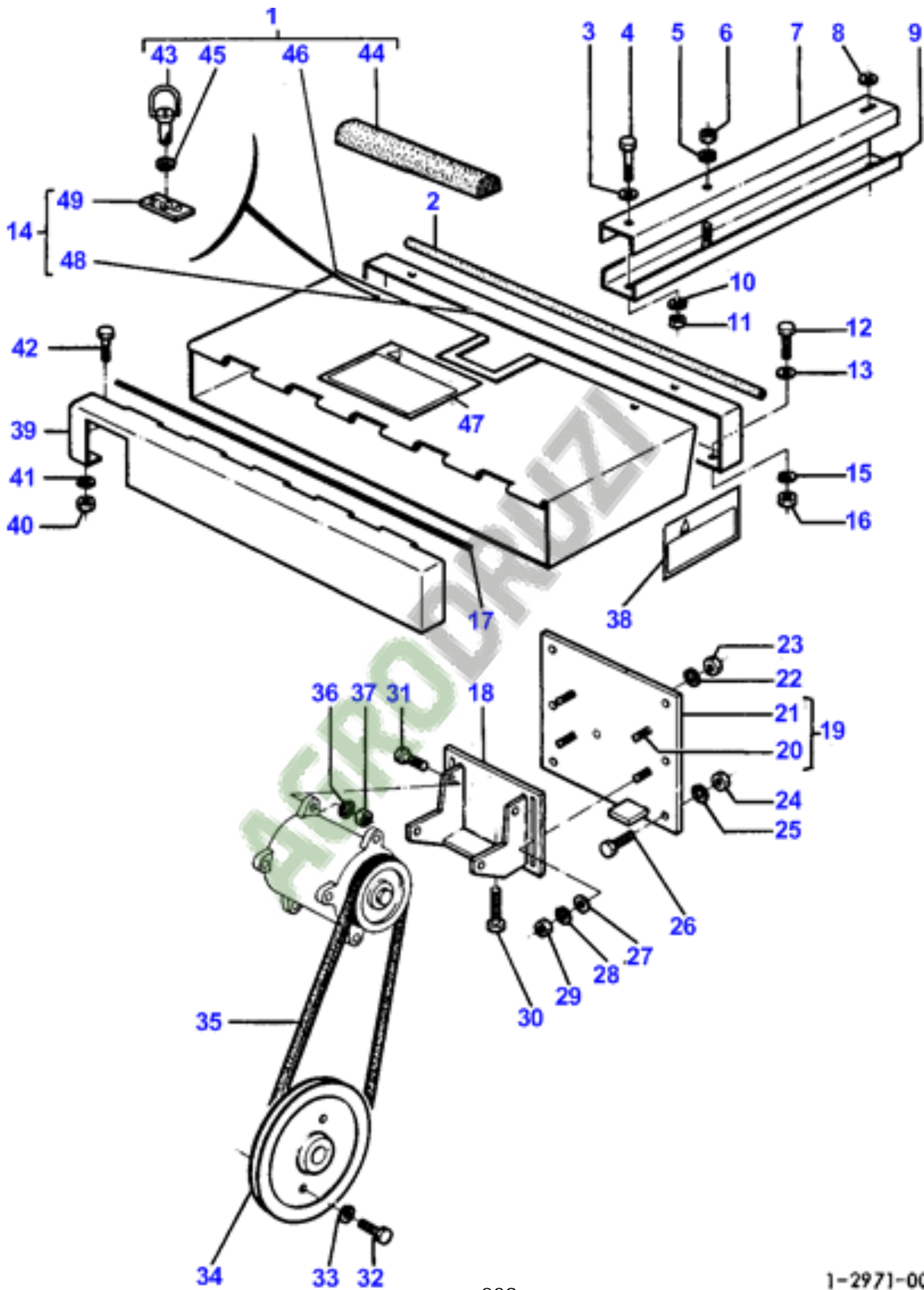


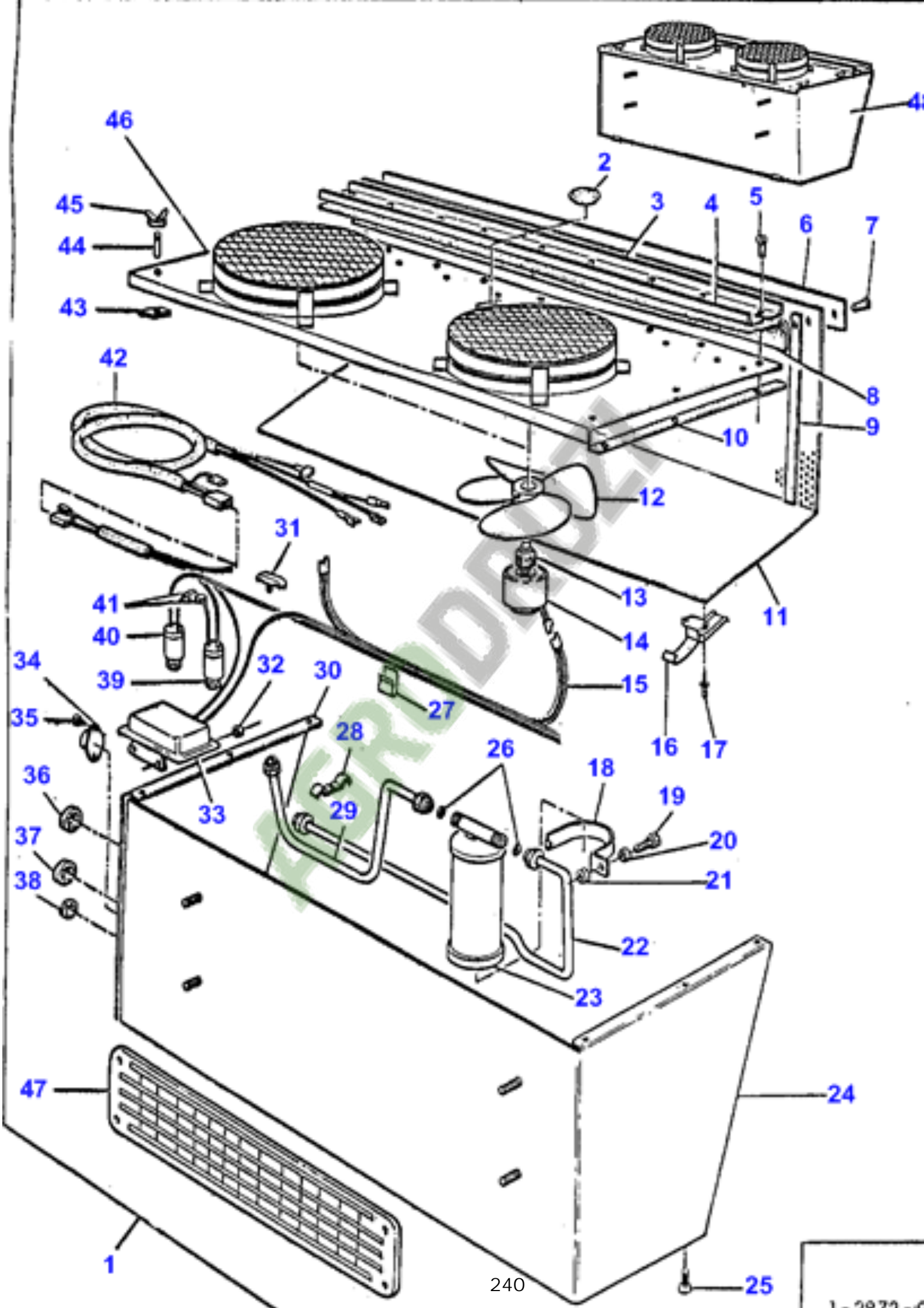


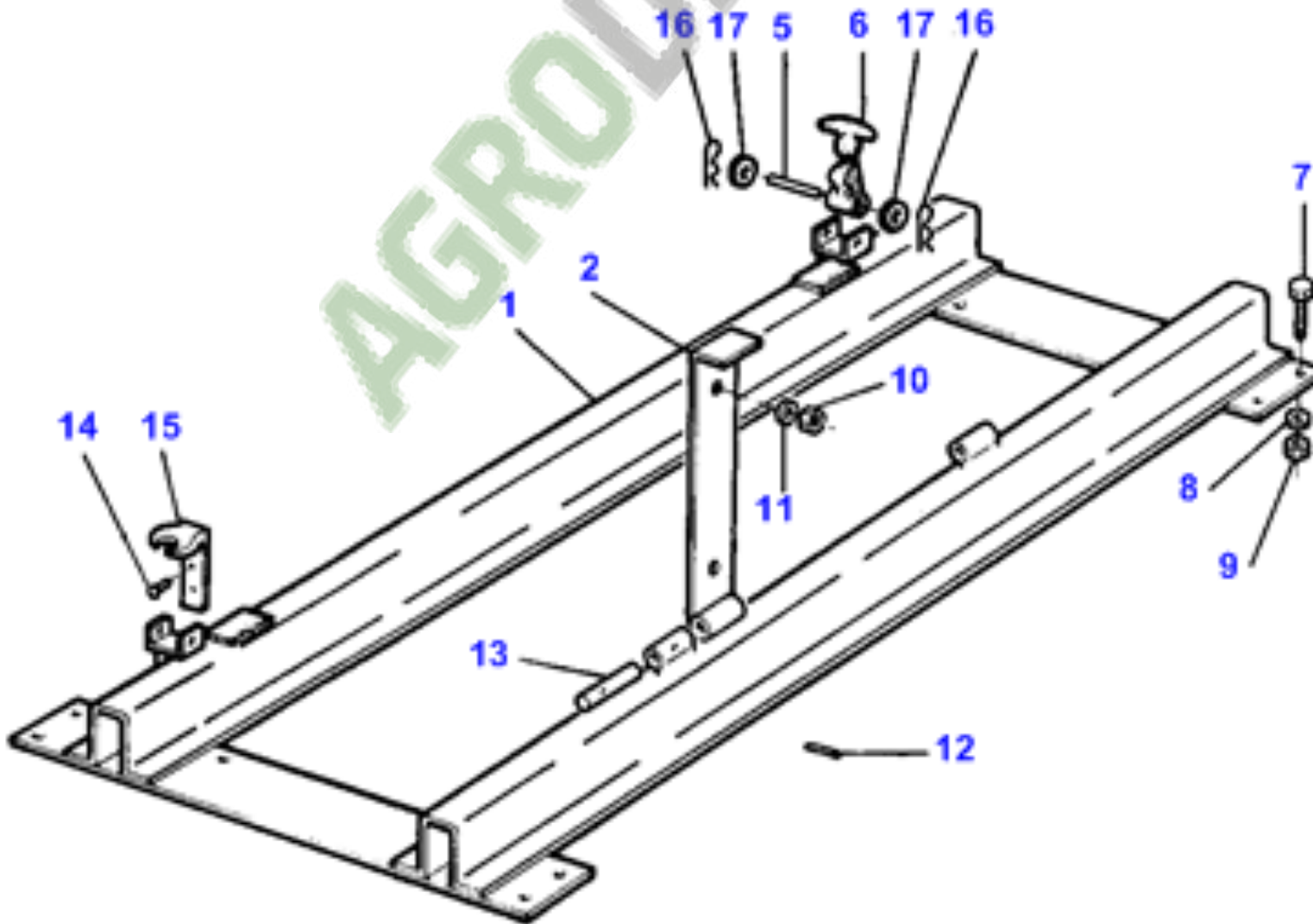
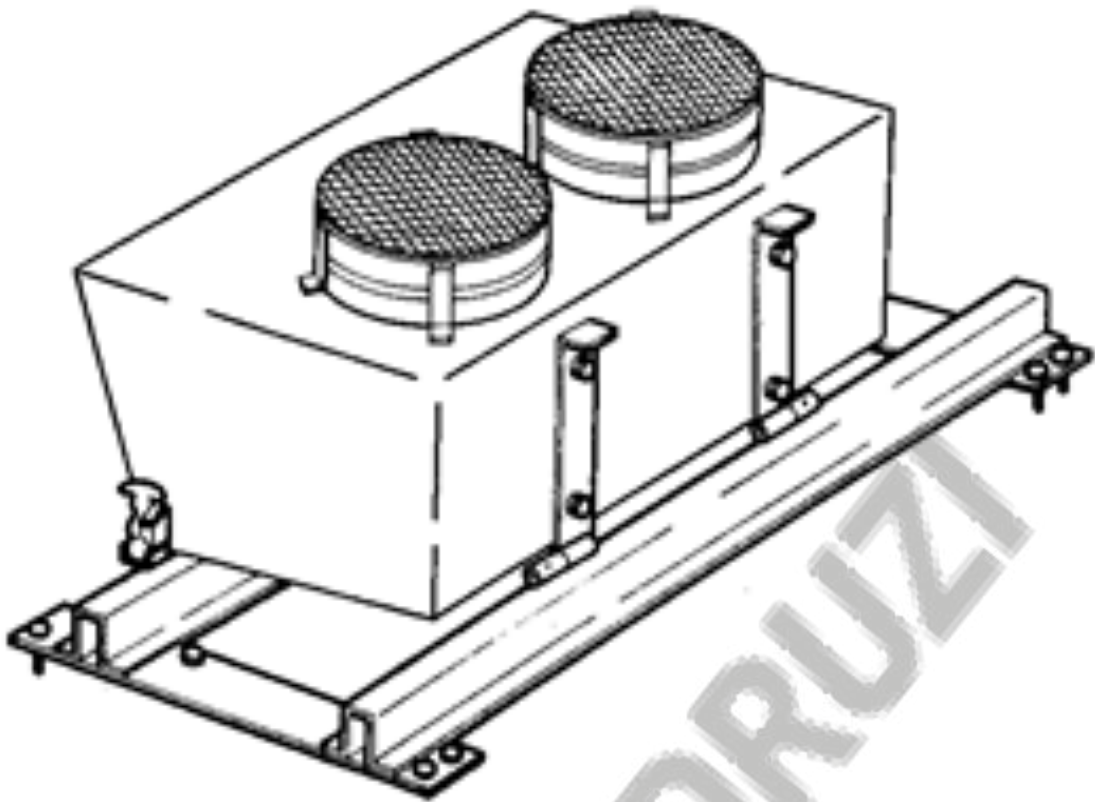


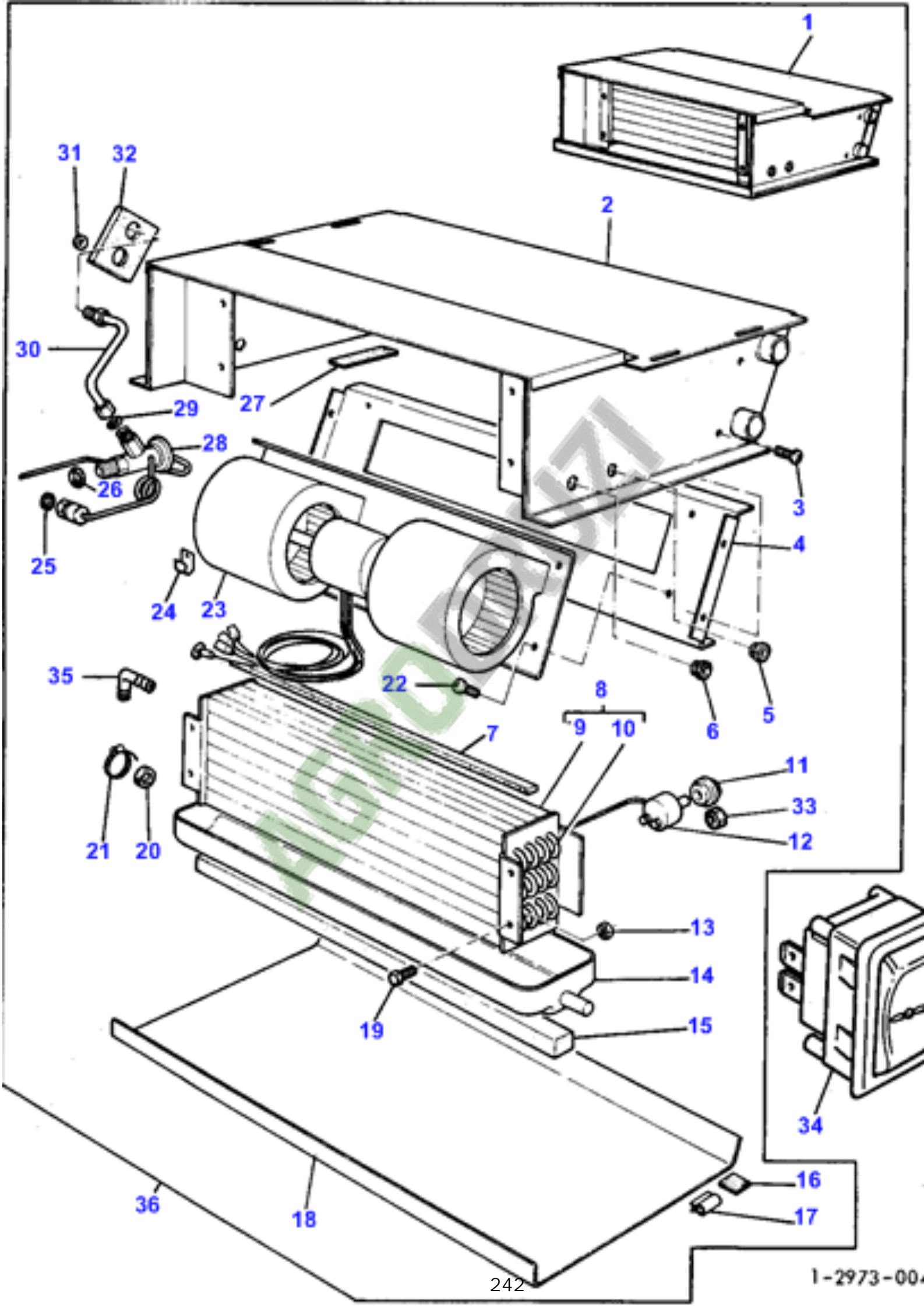
1-2960-01

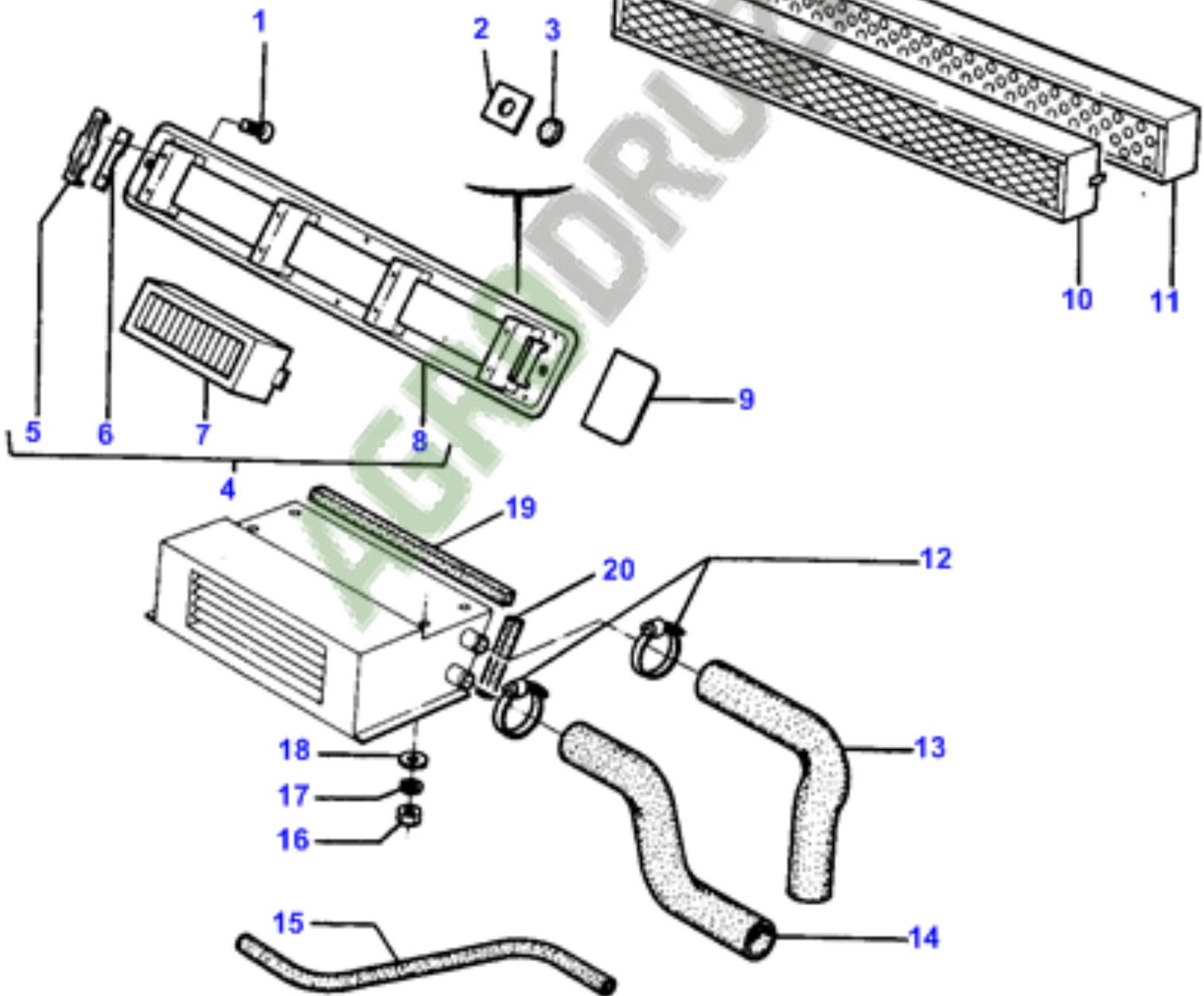
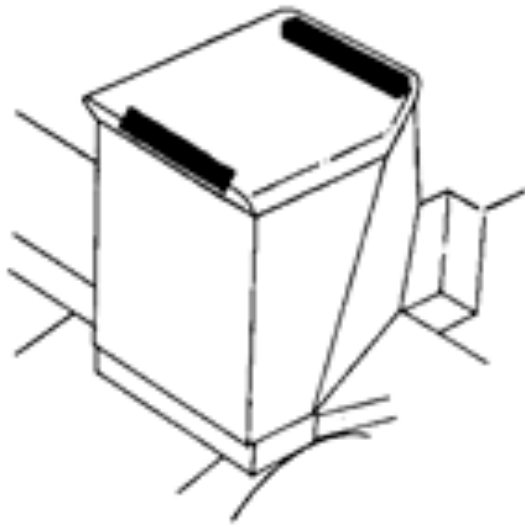


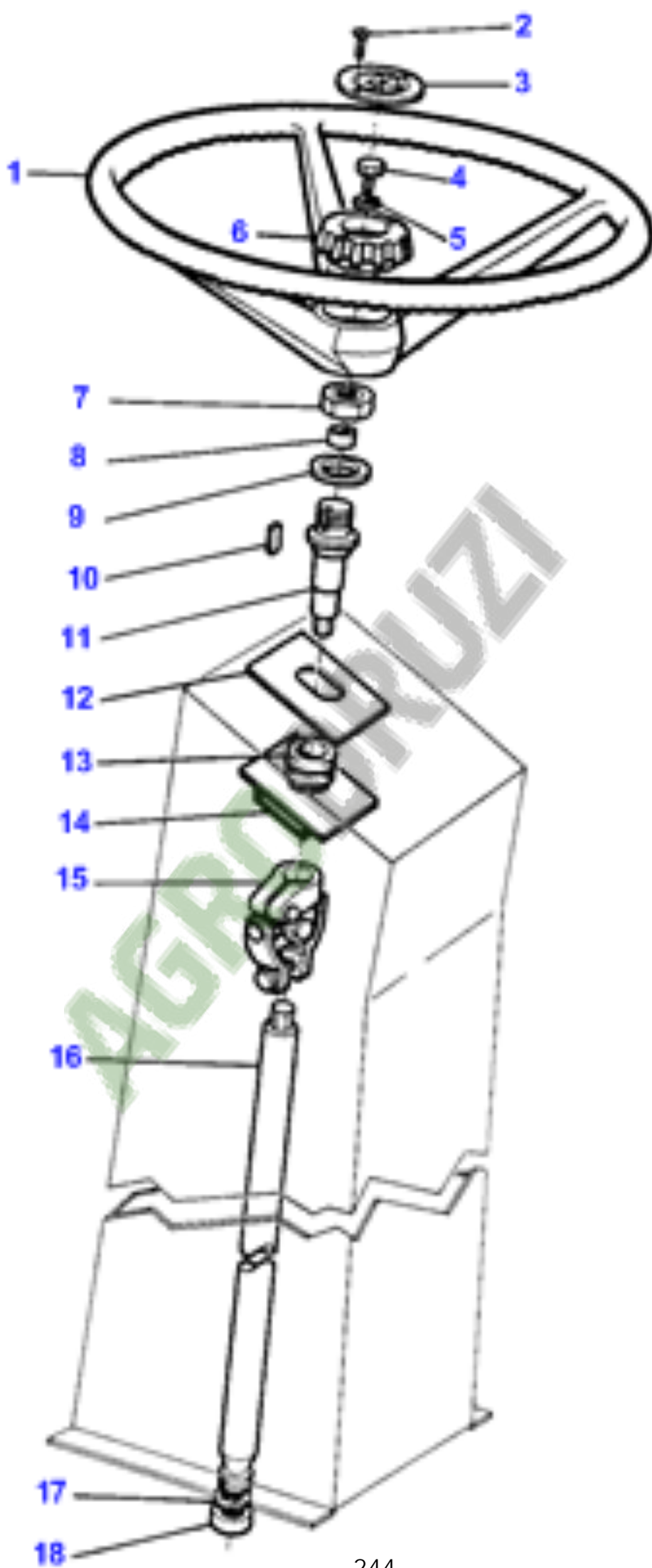


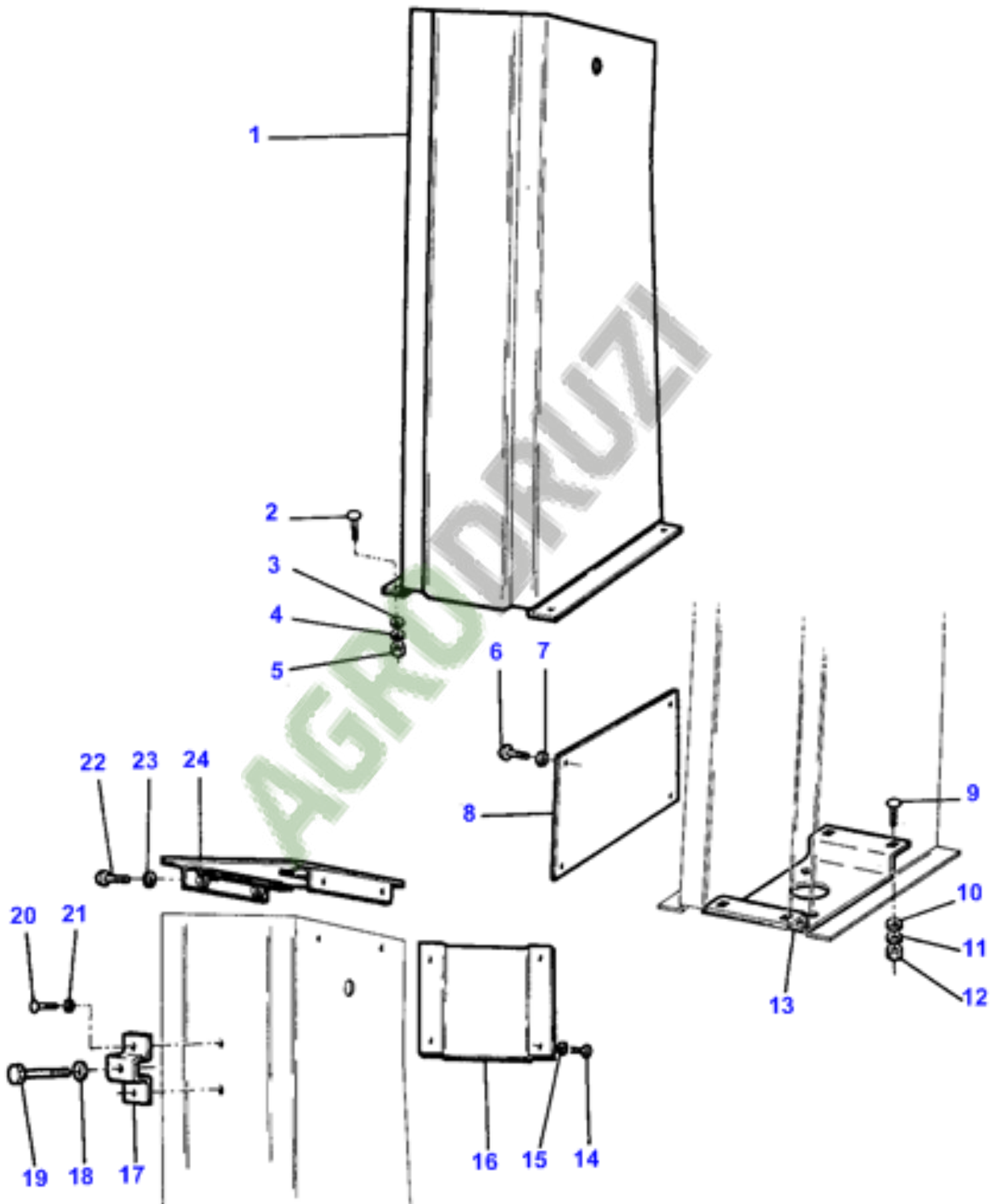


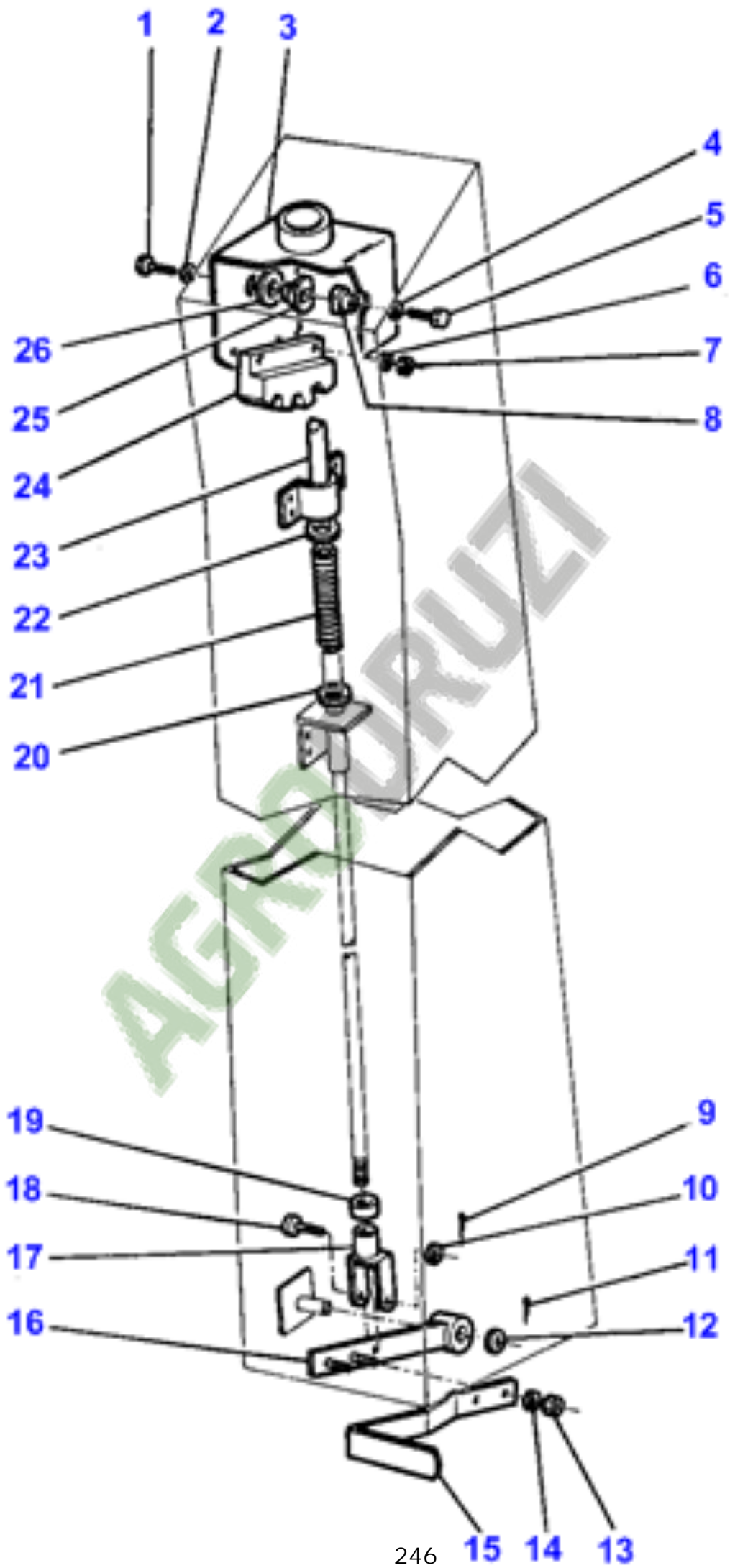


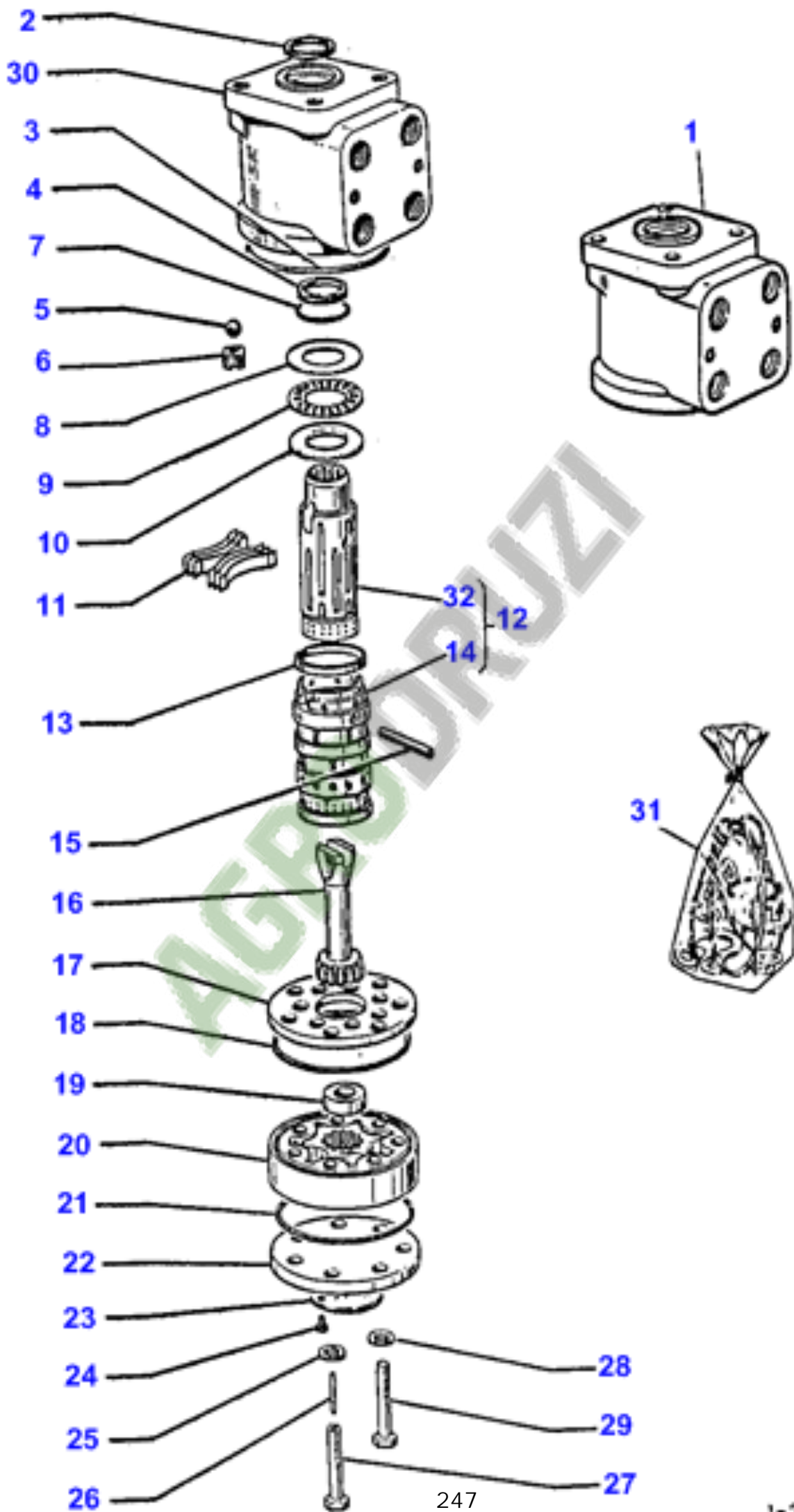


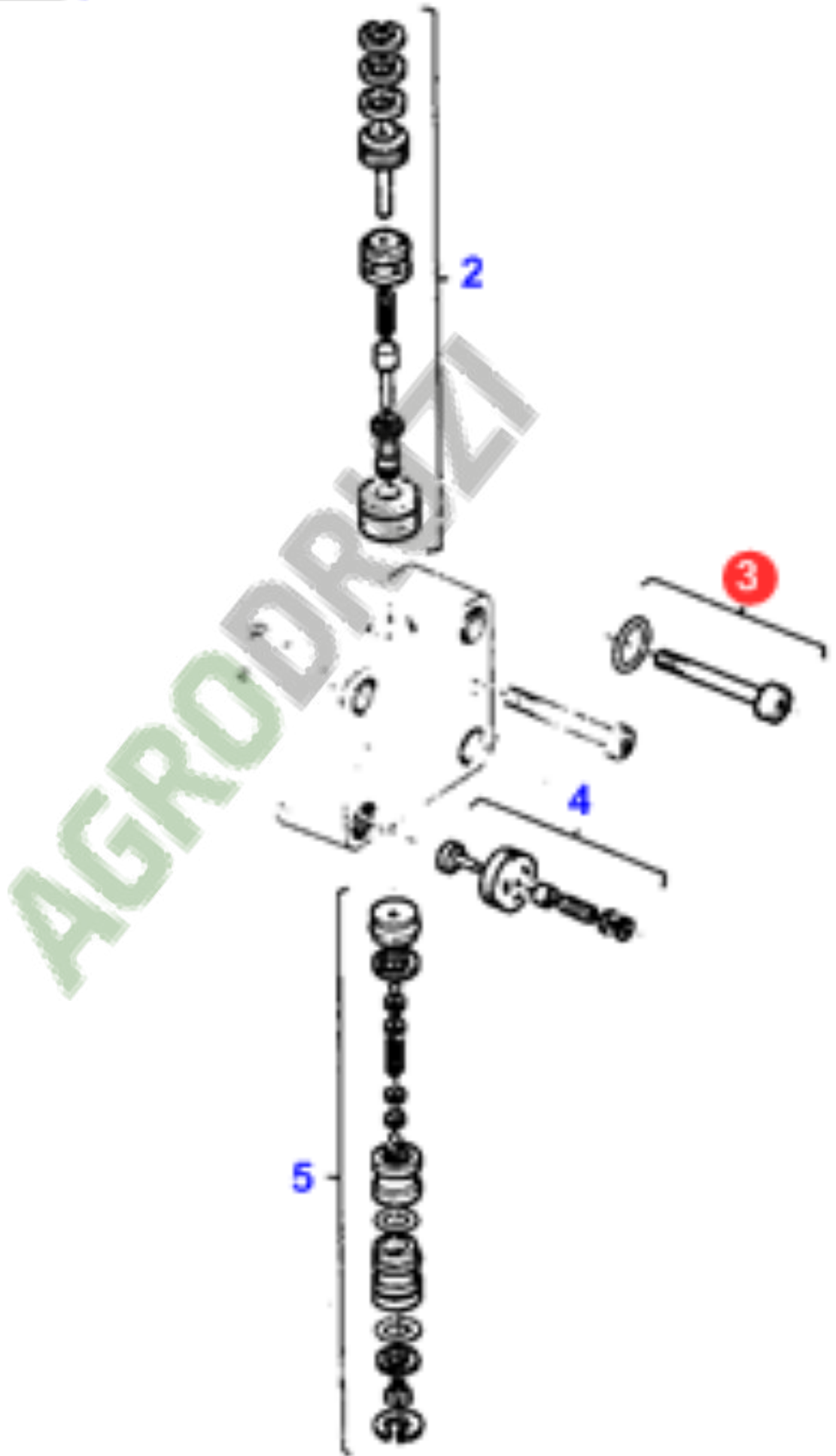
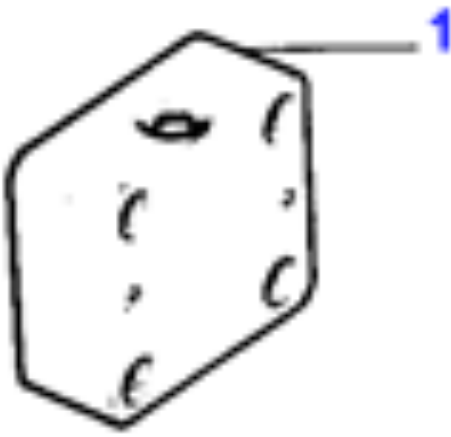


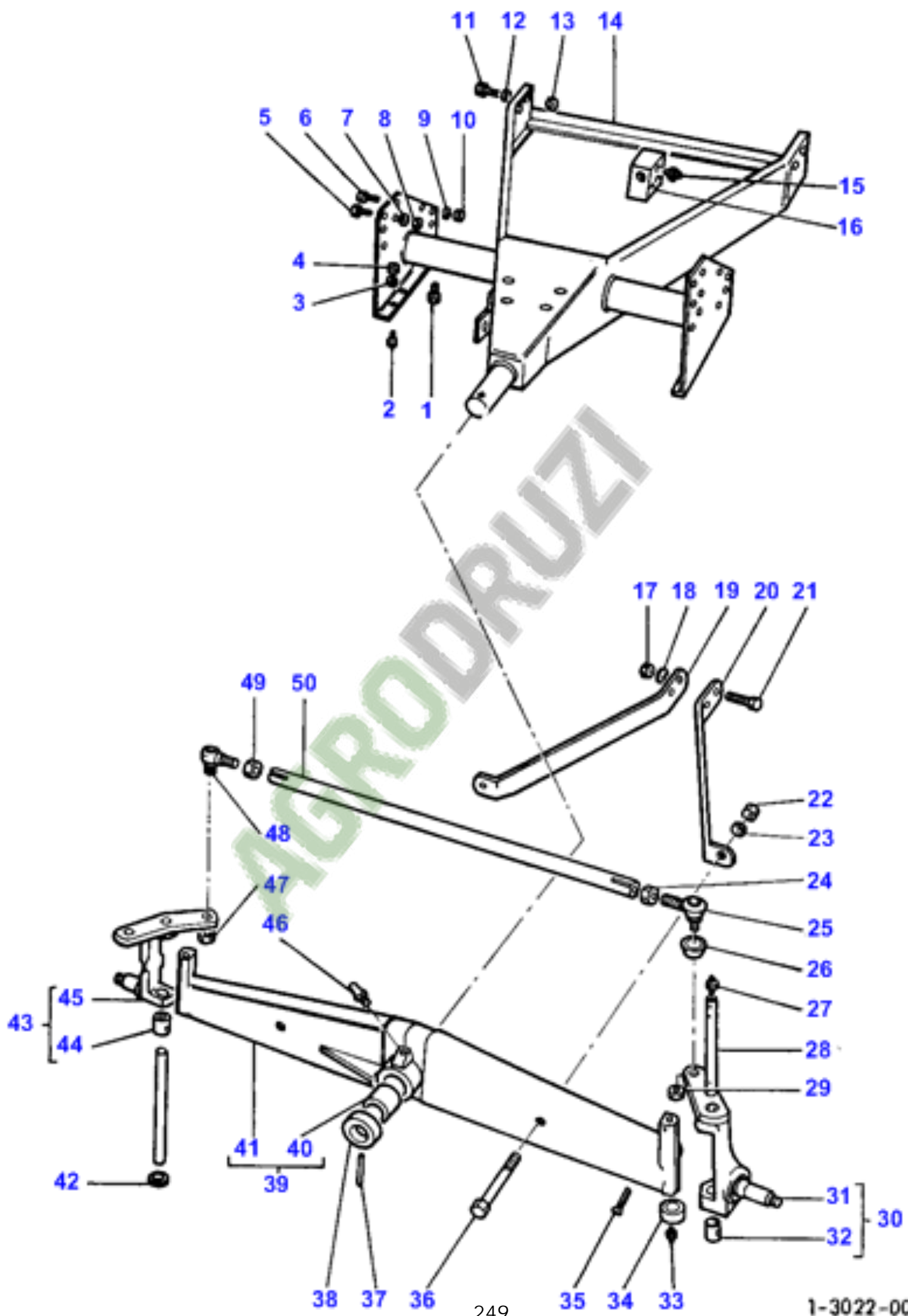


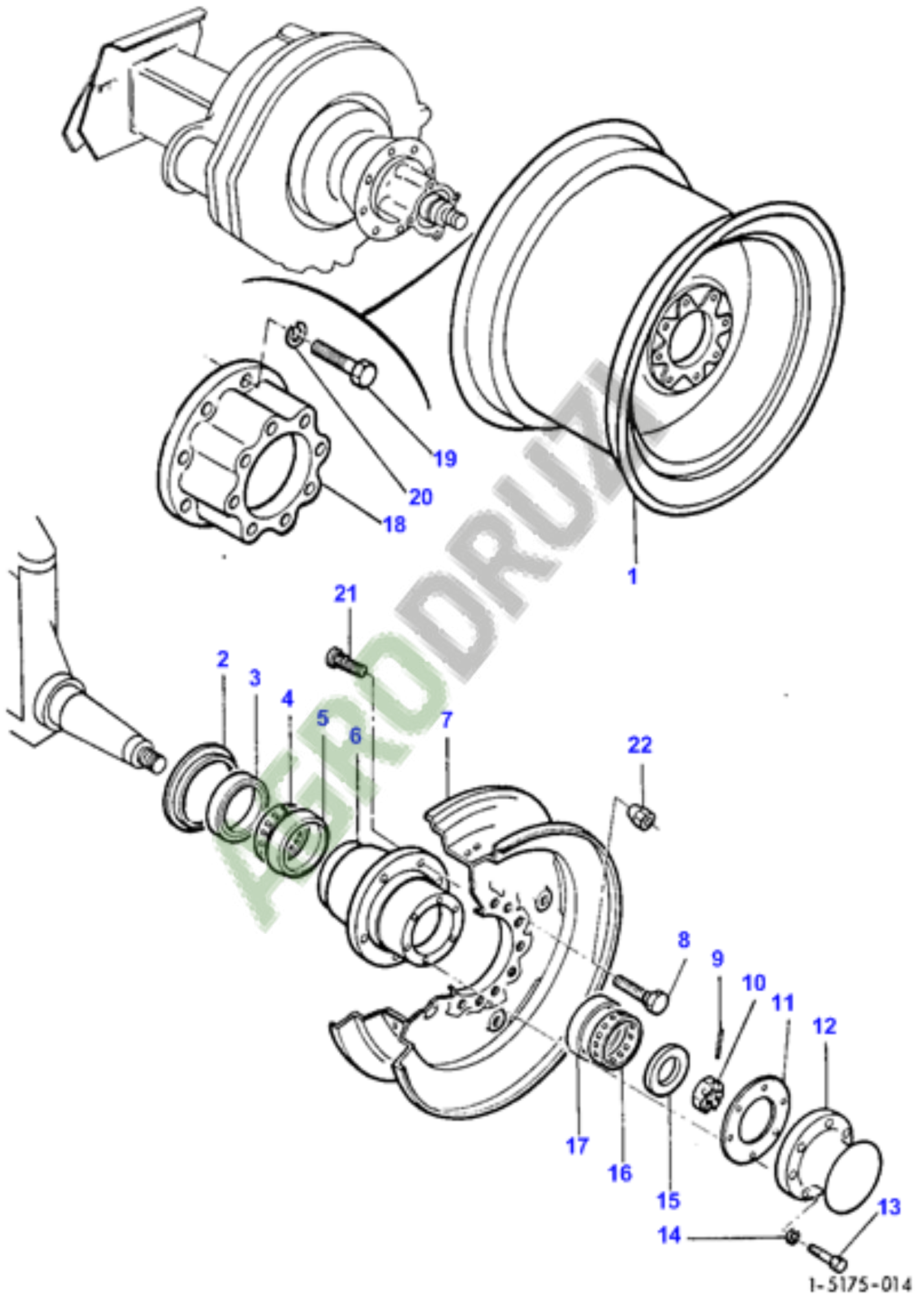


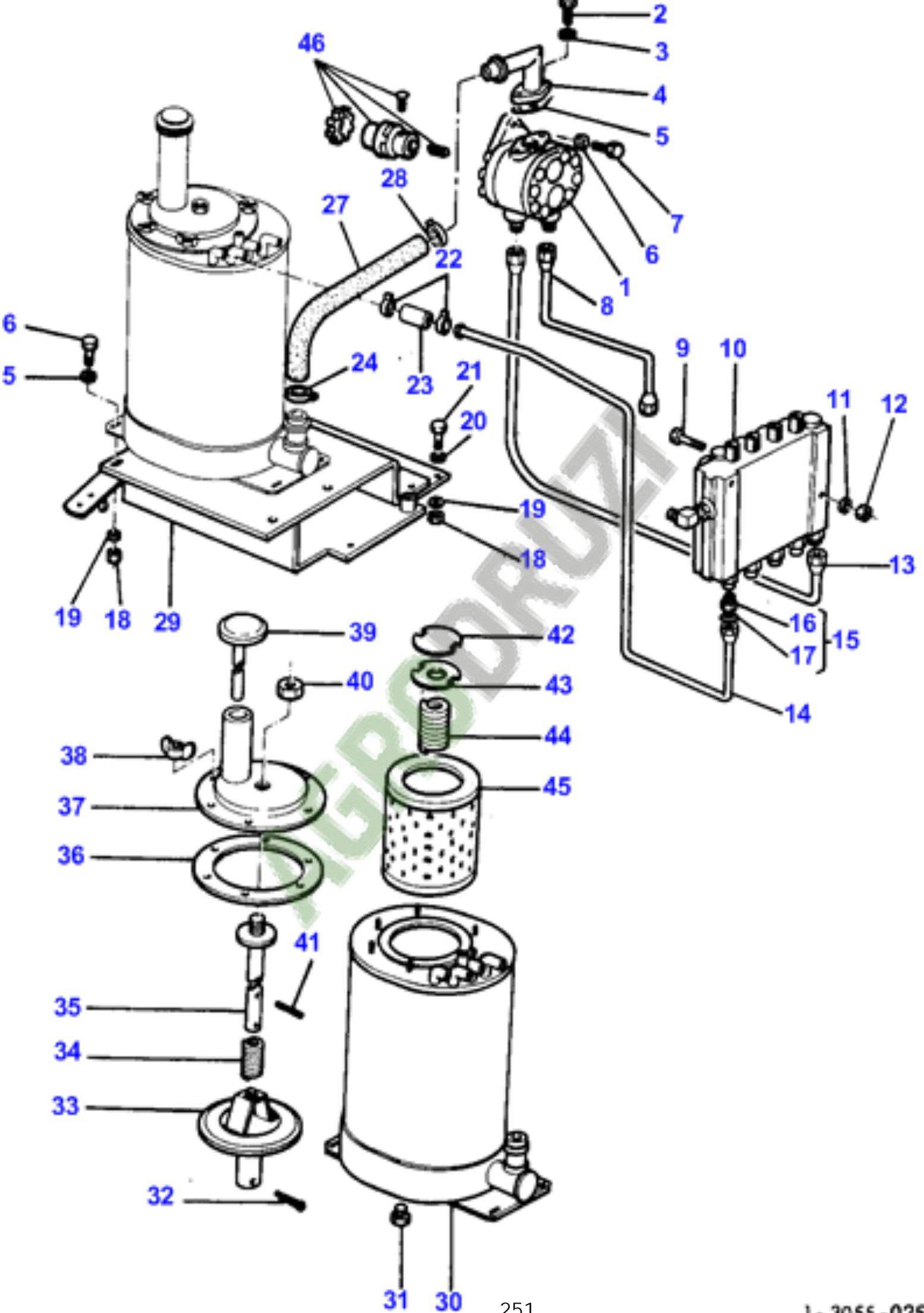


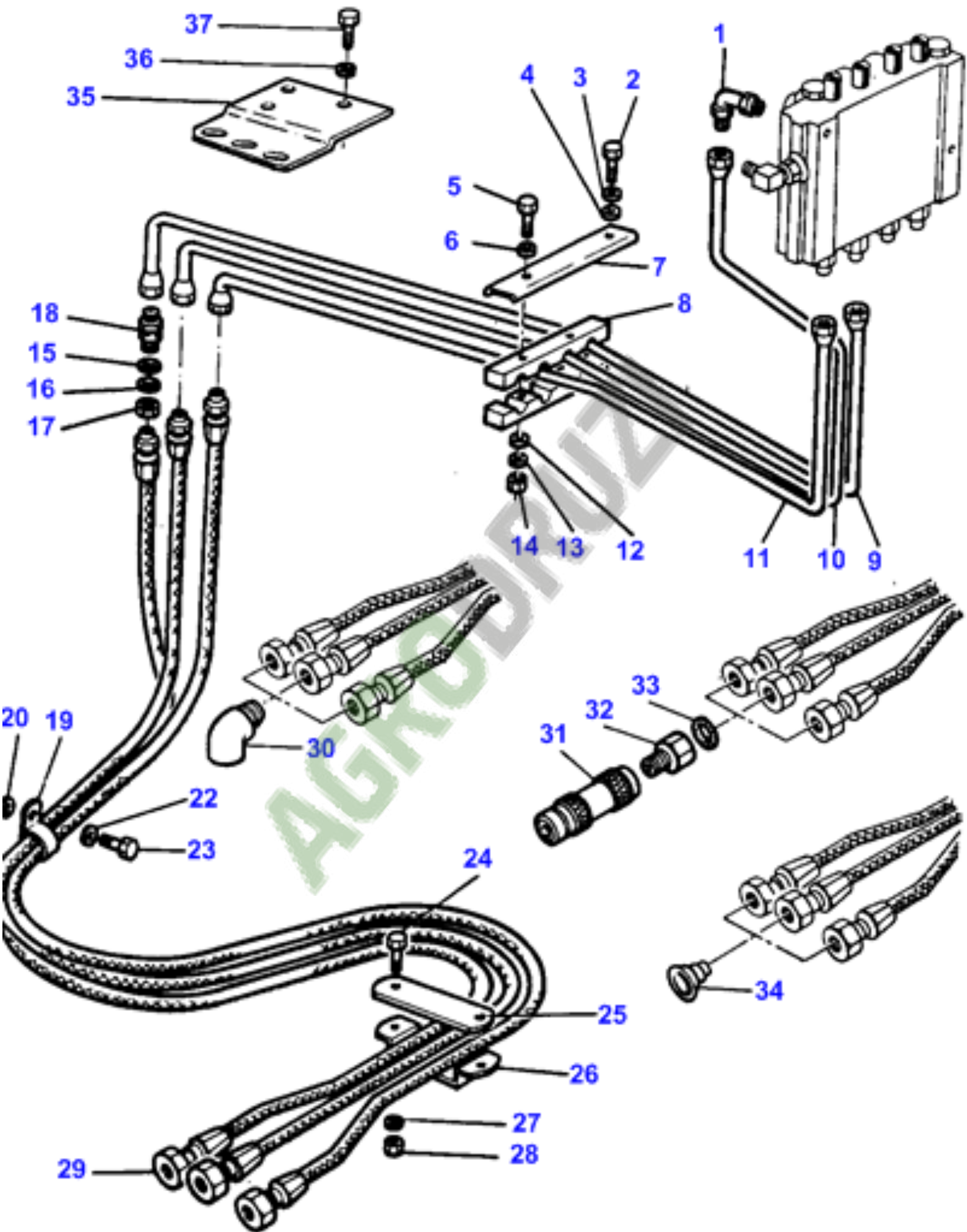


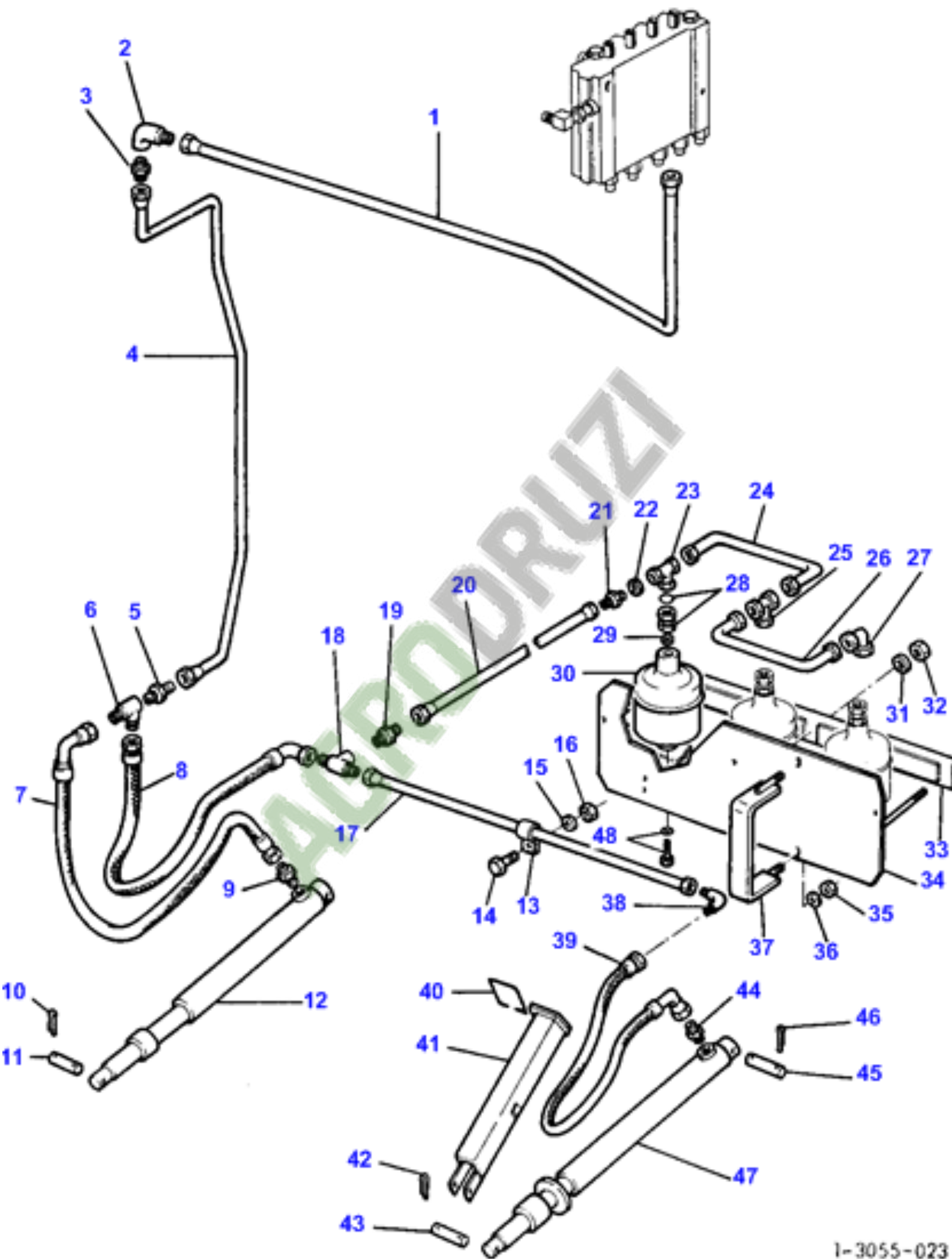




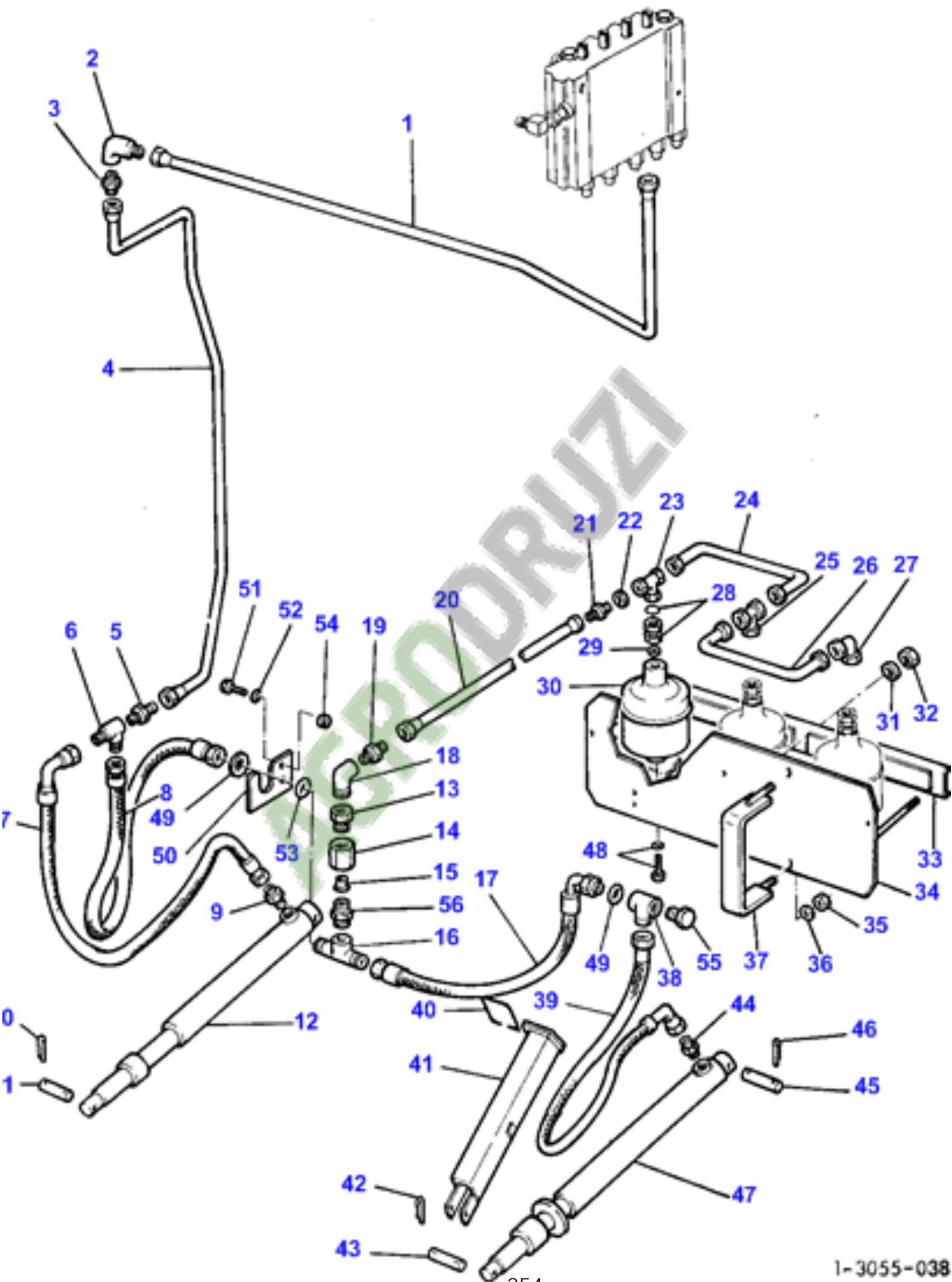


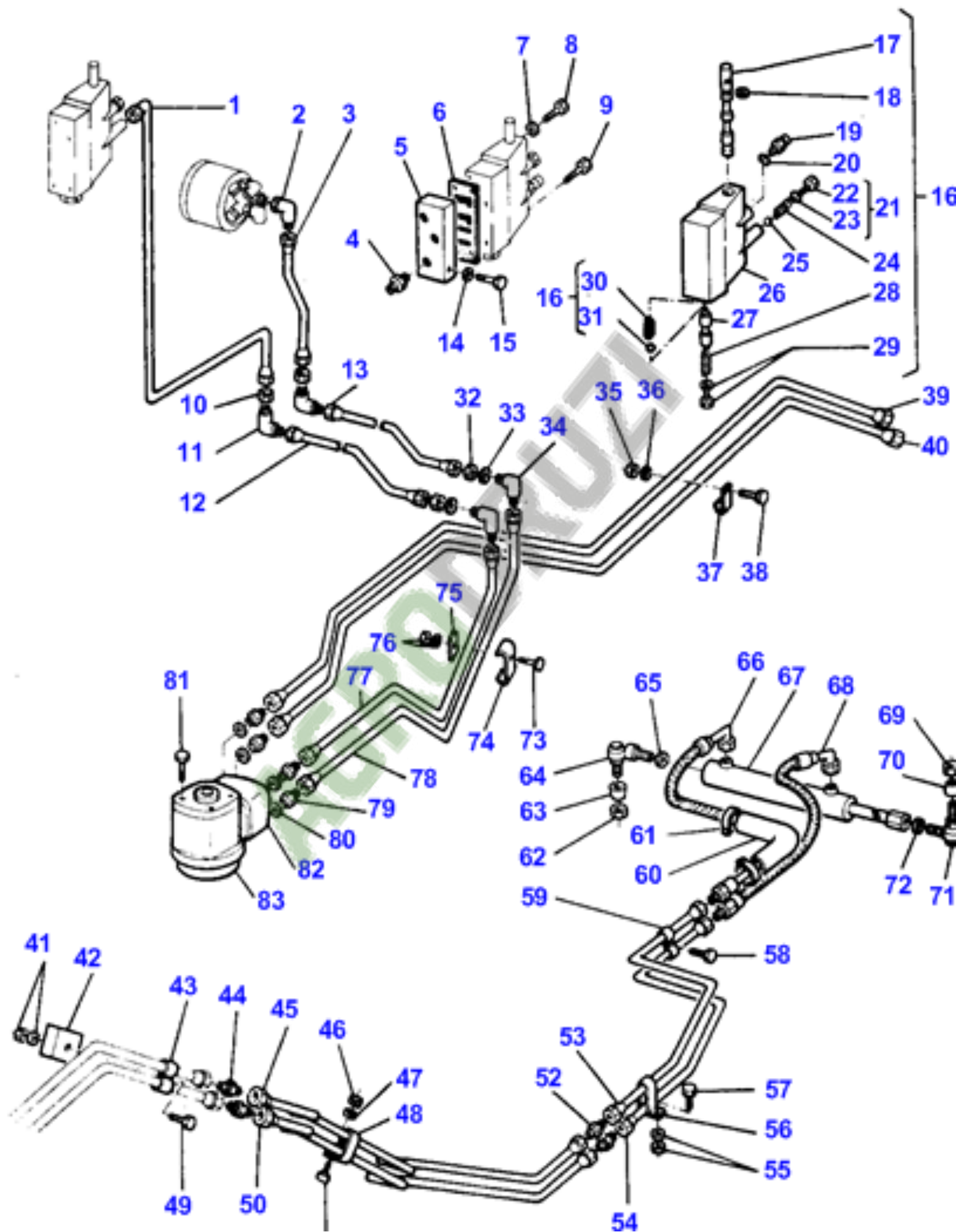




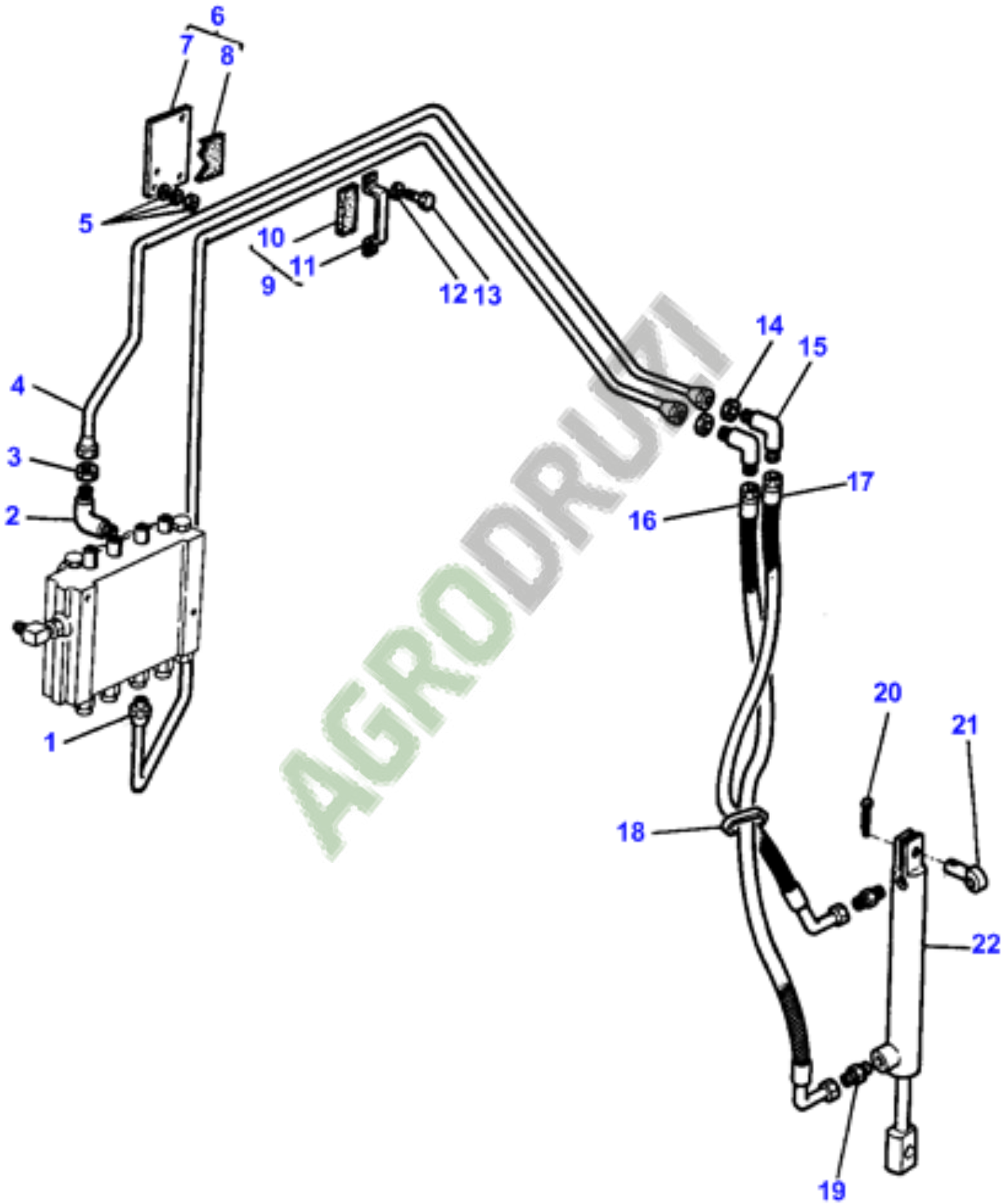


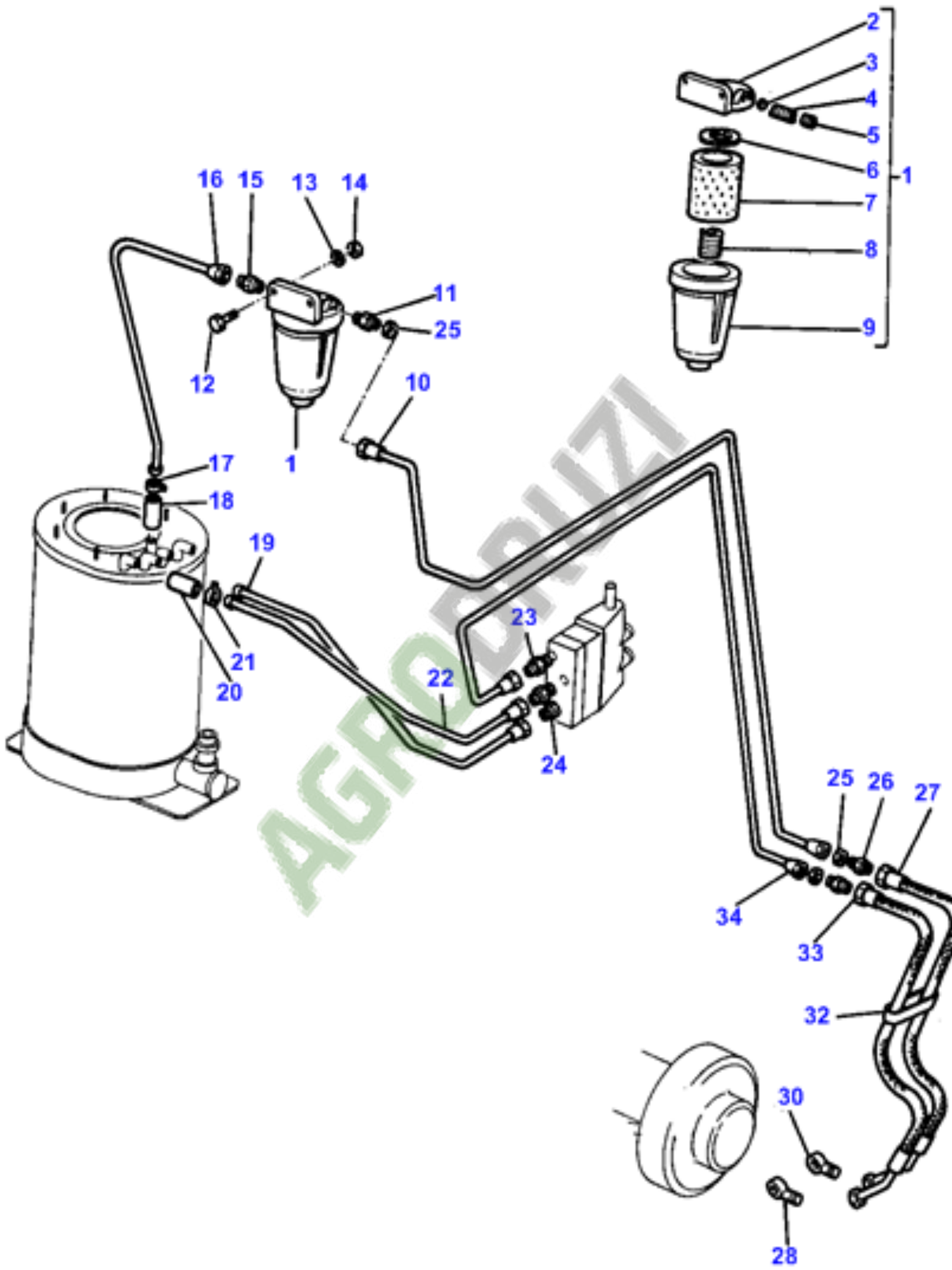
1-3055-023

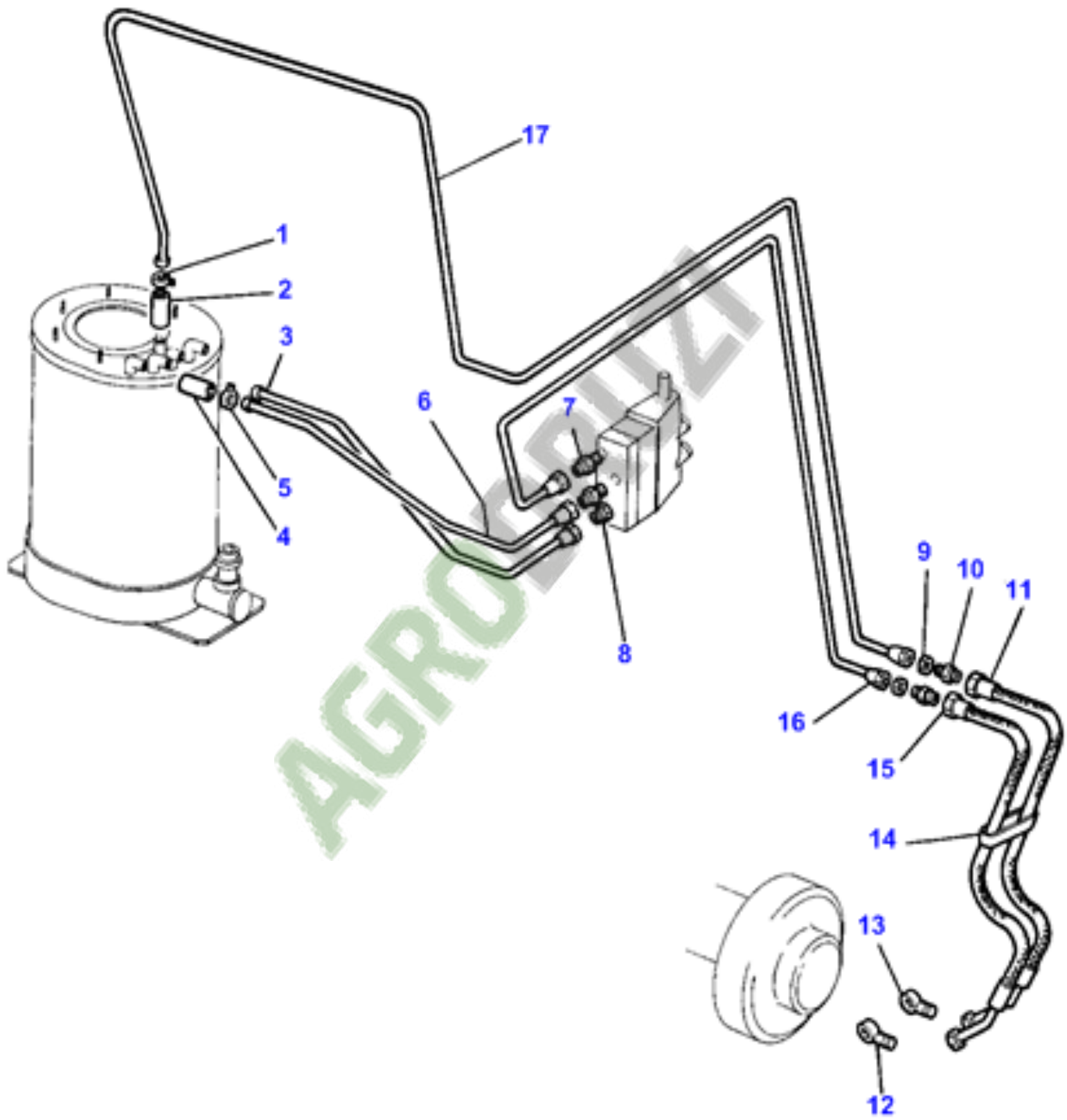


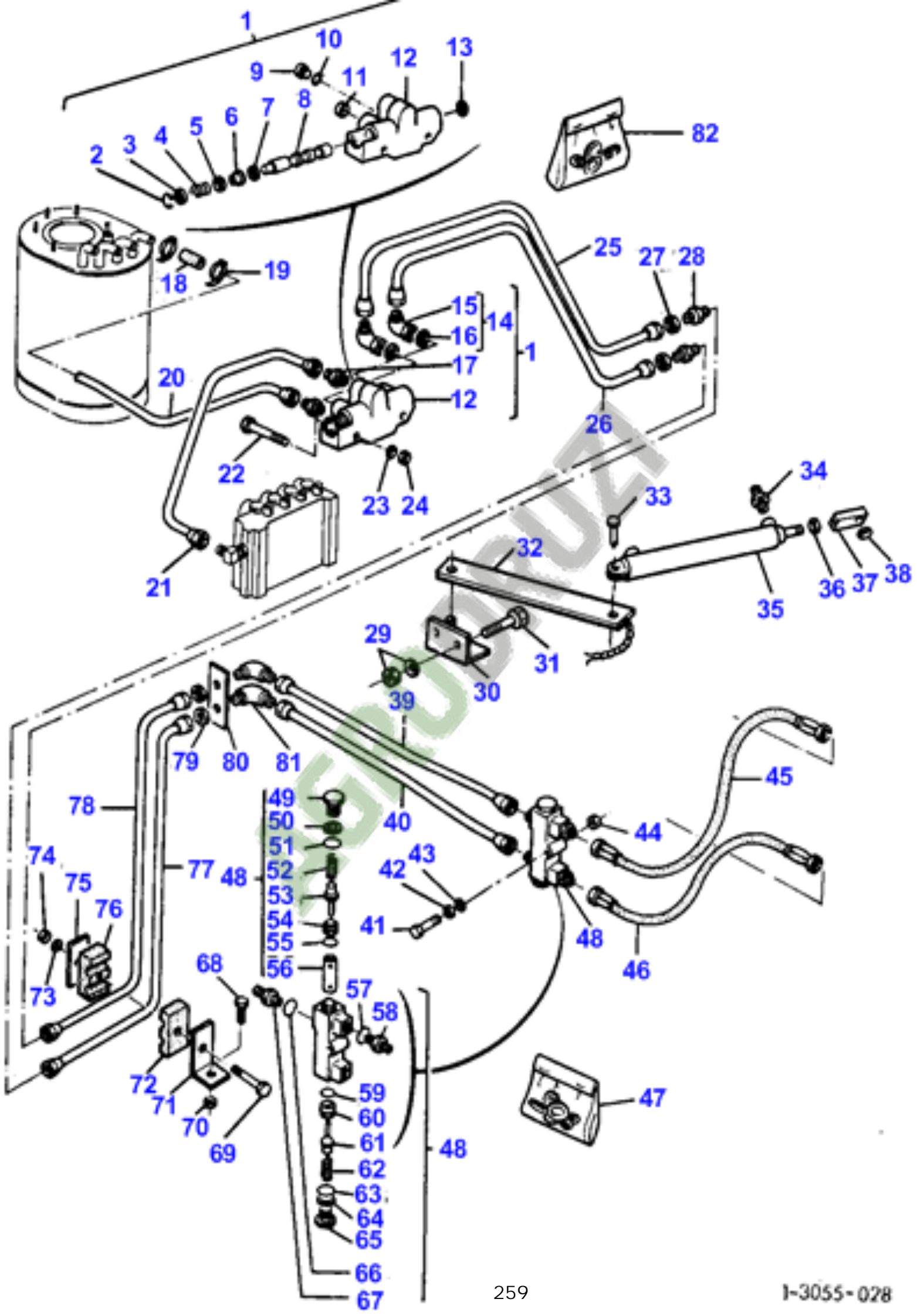


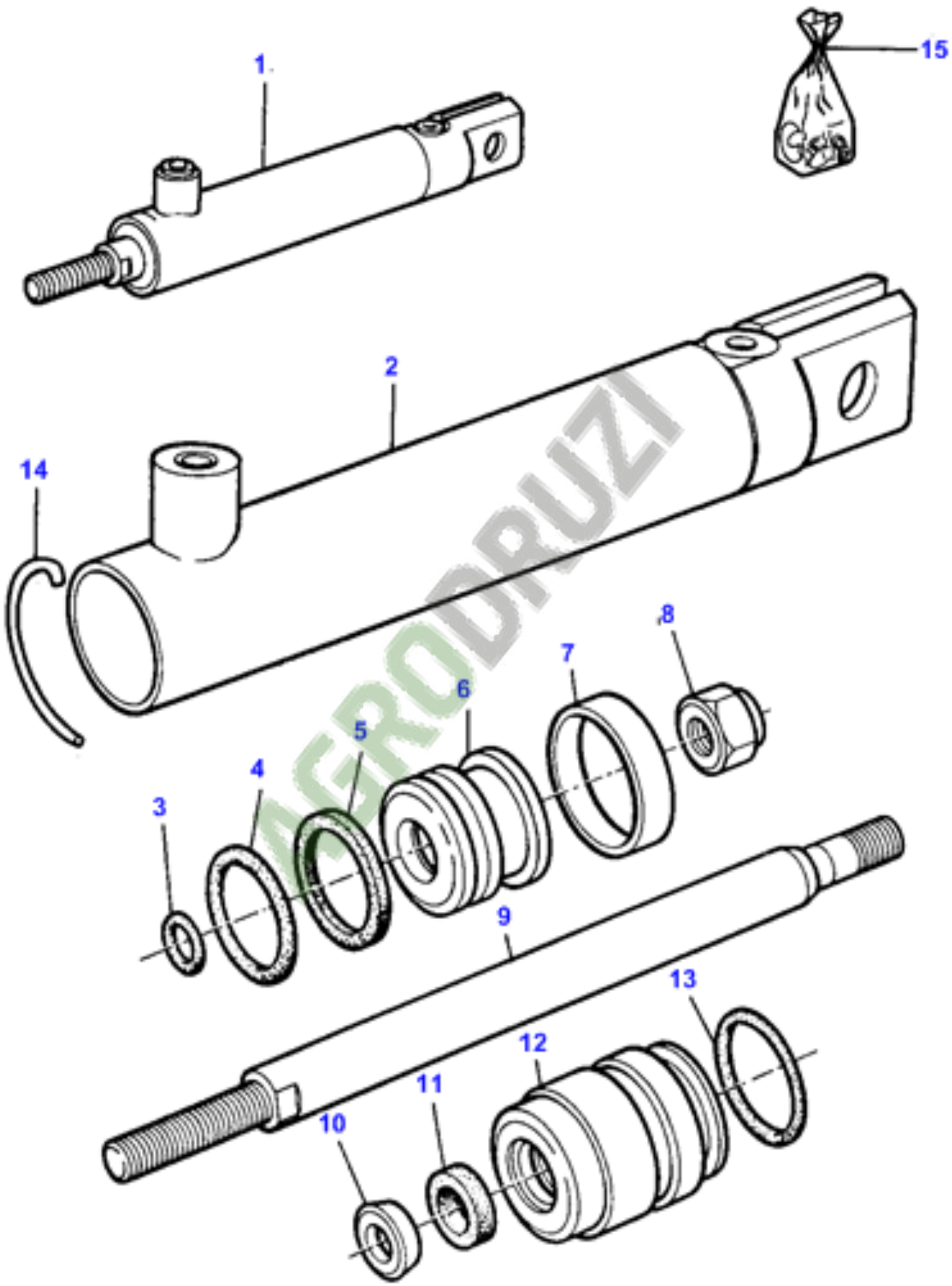
c

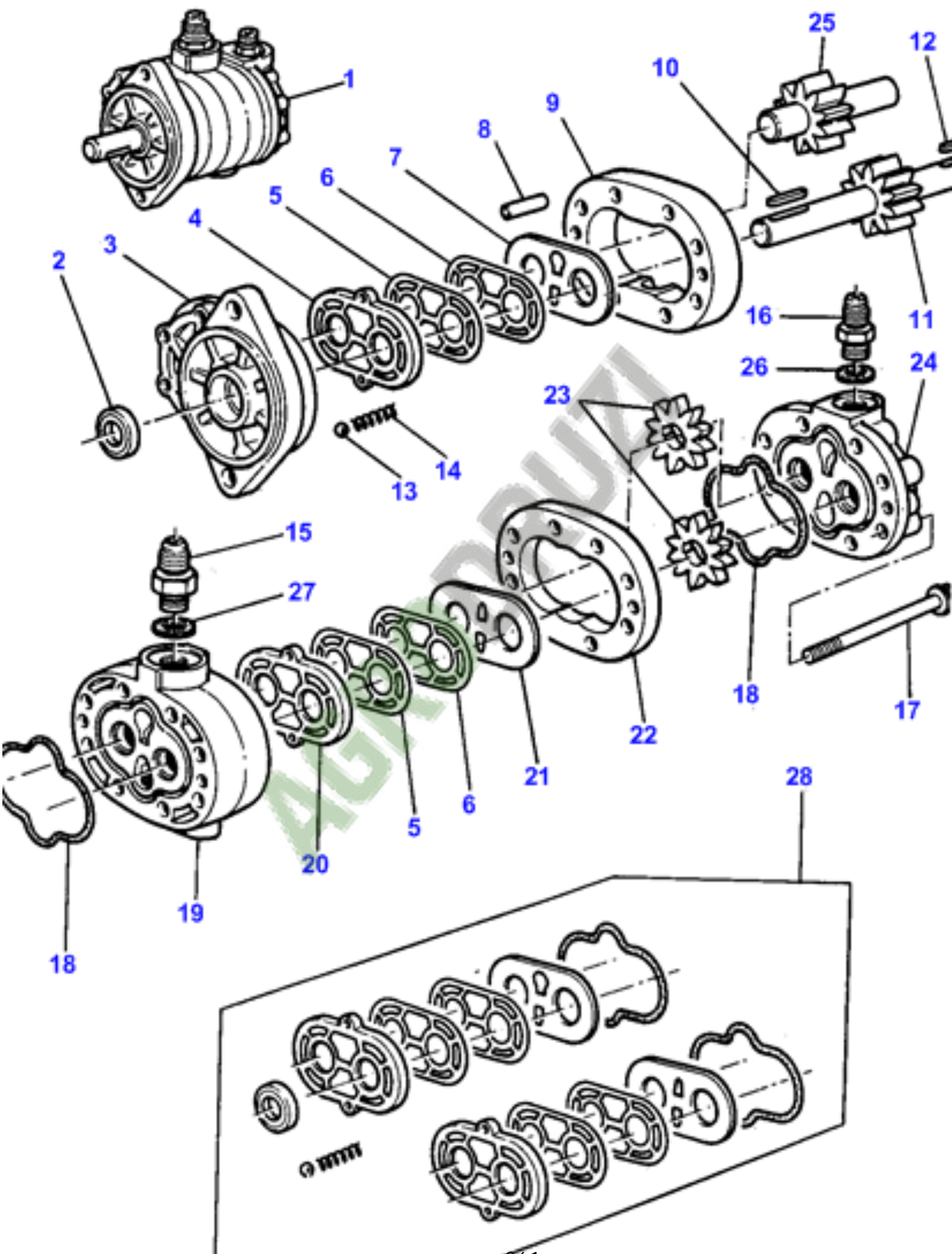


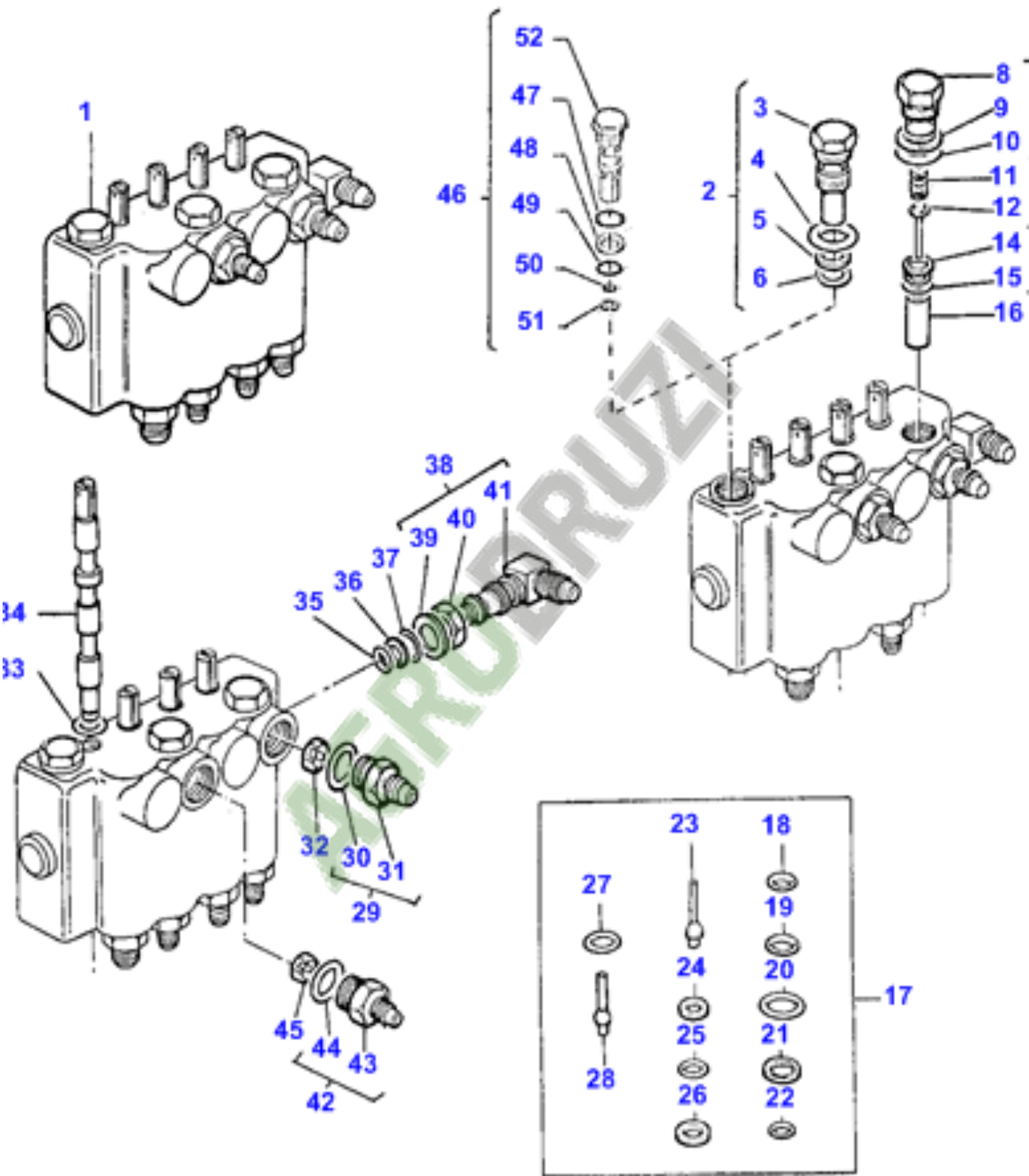


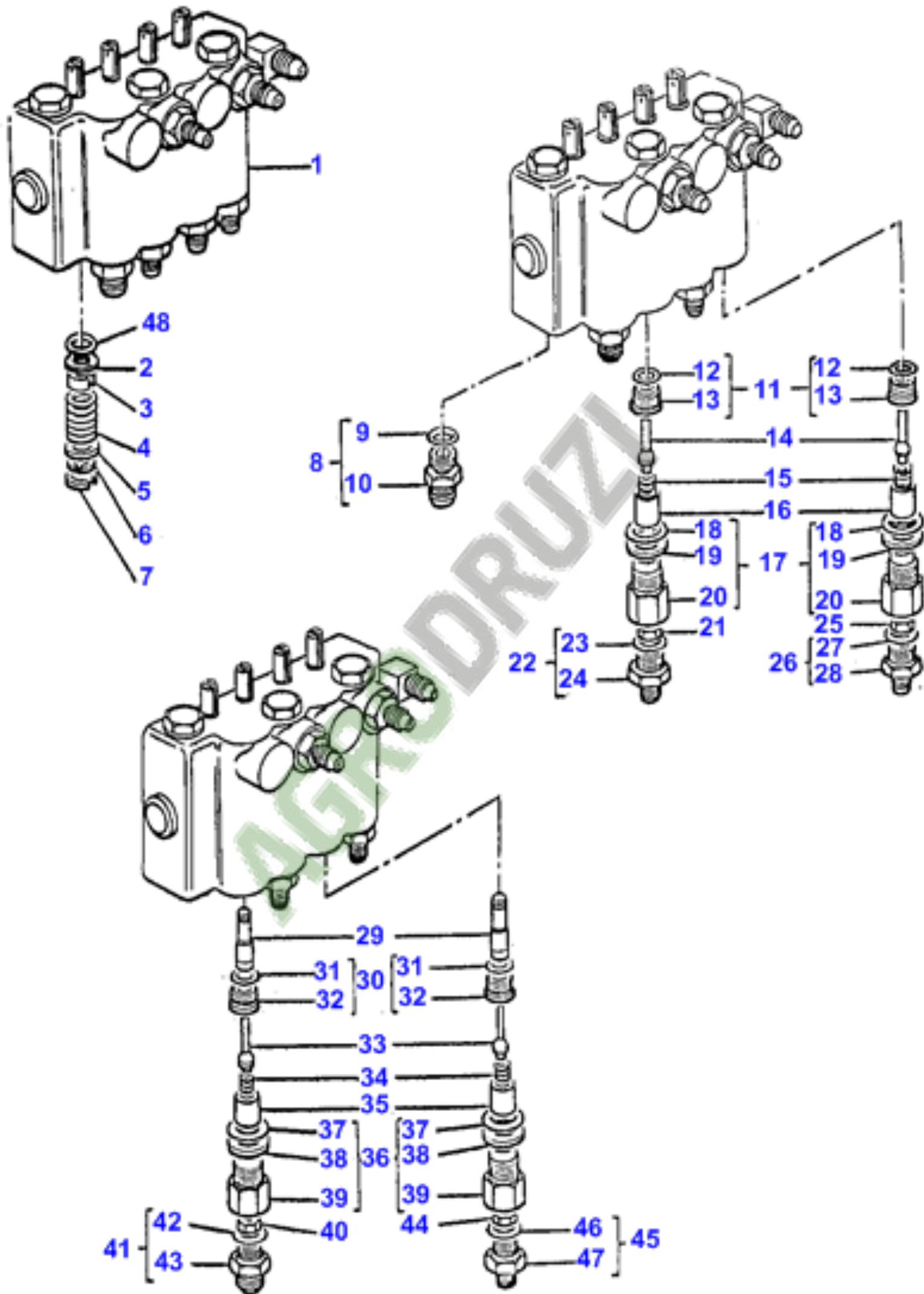


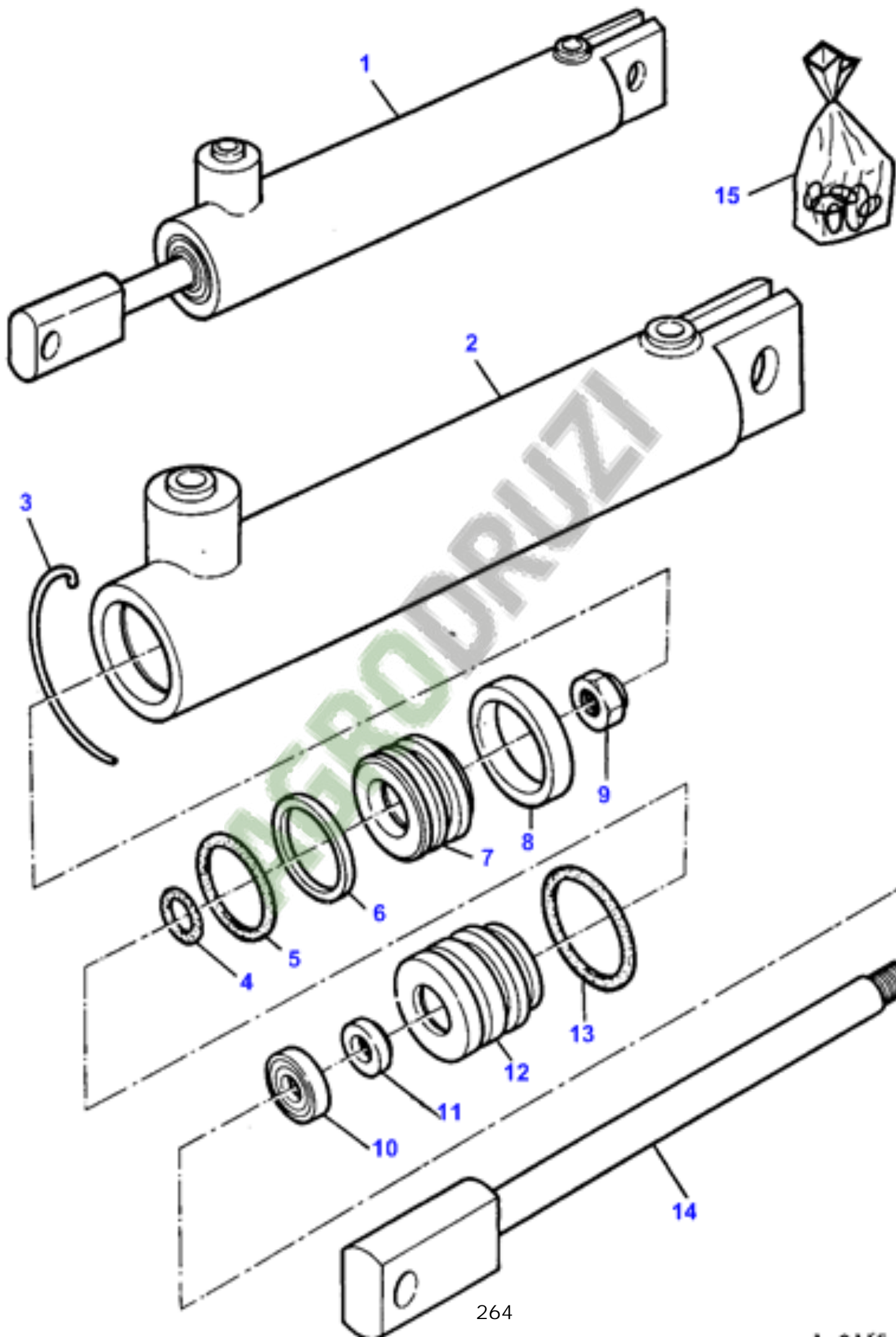


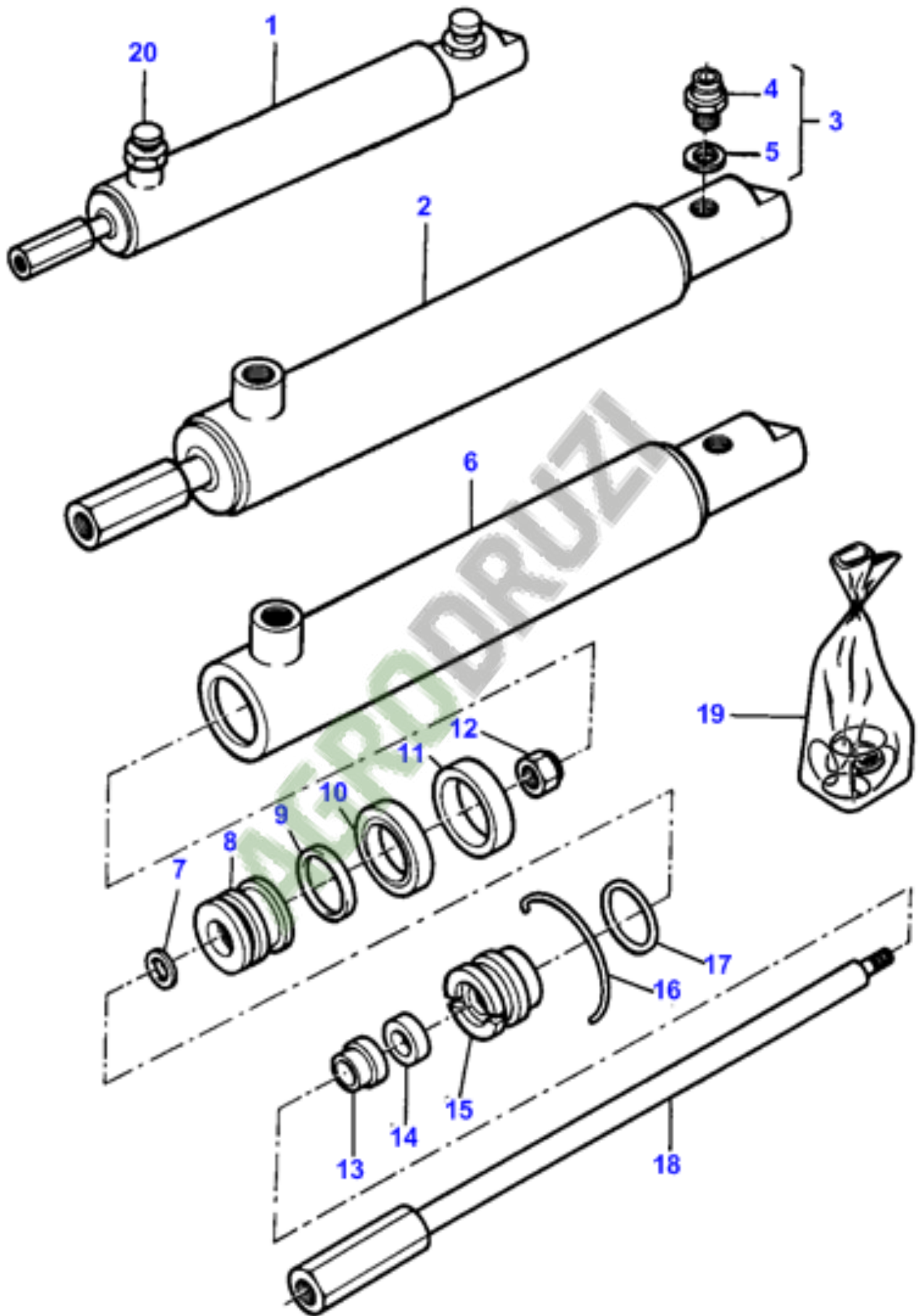


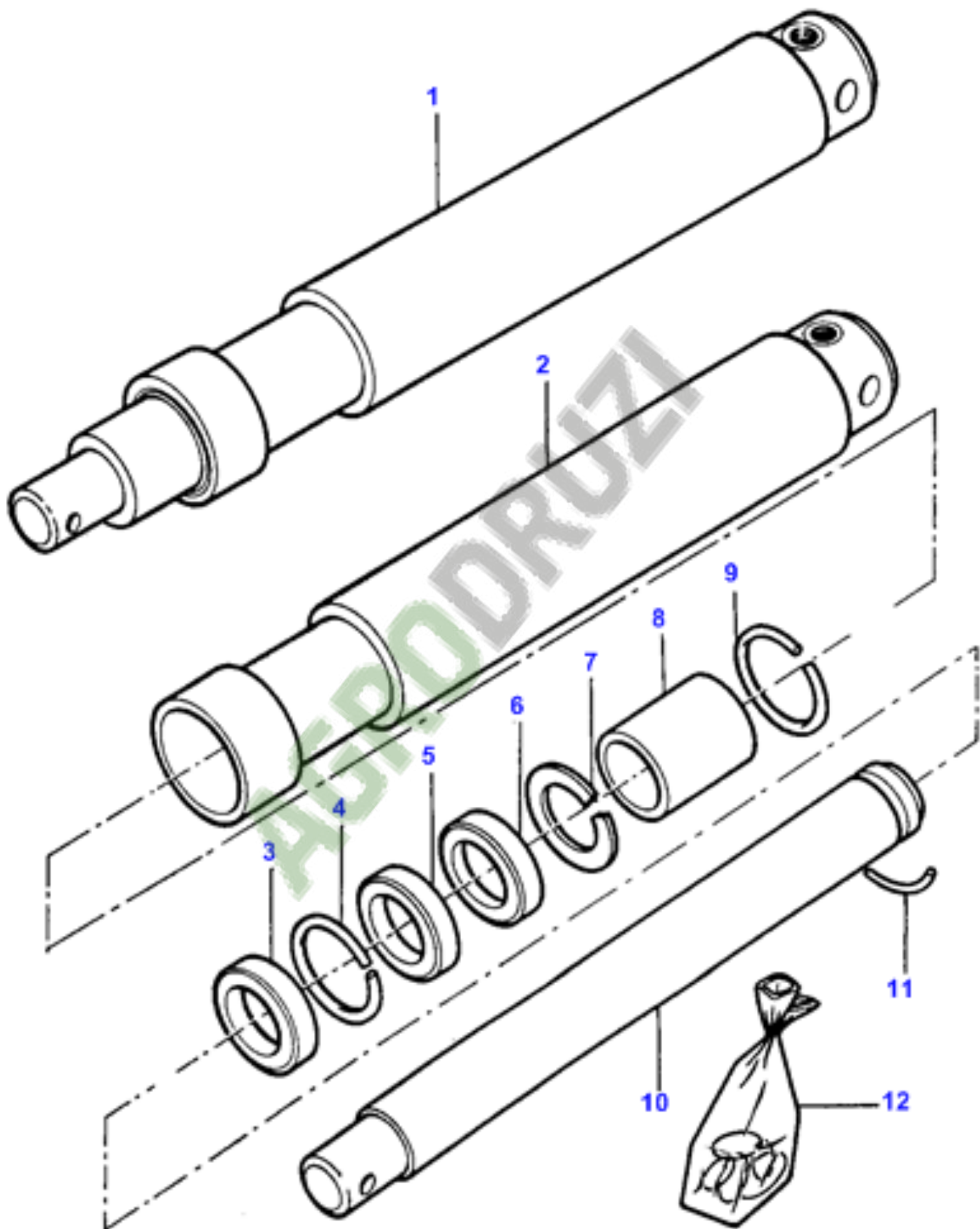


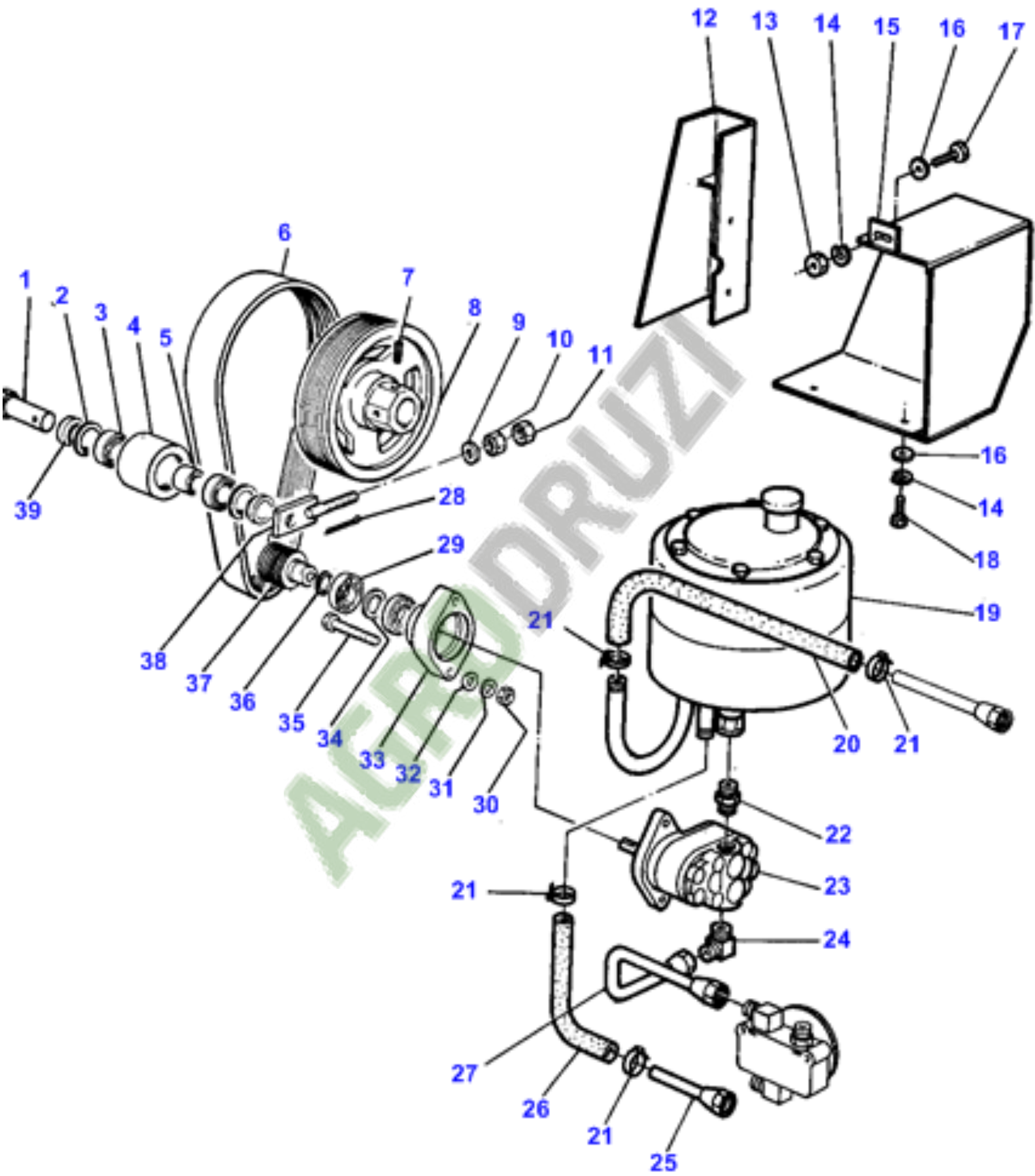


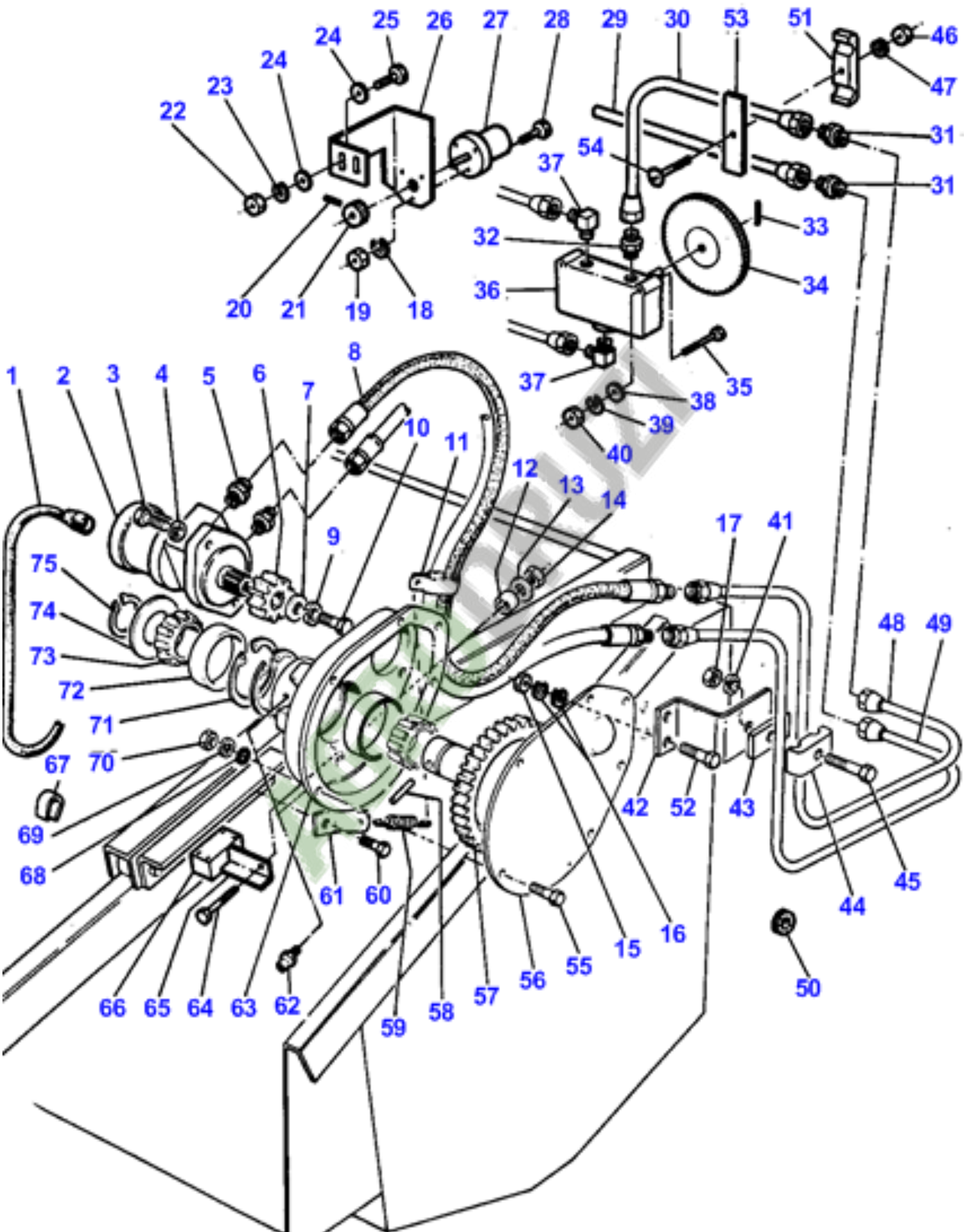


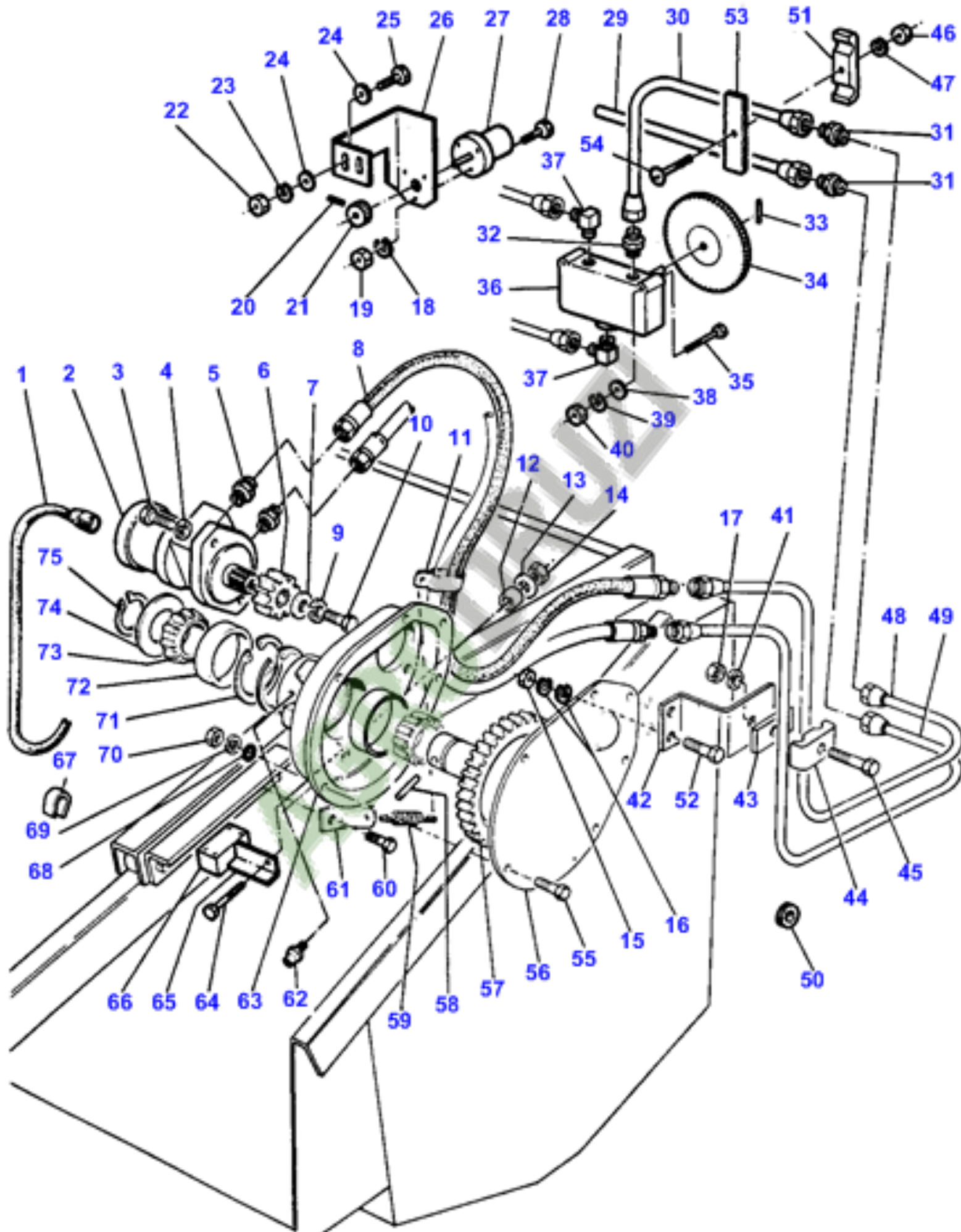


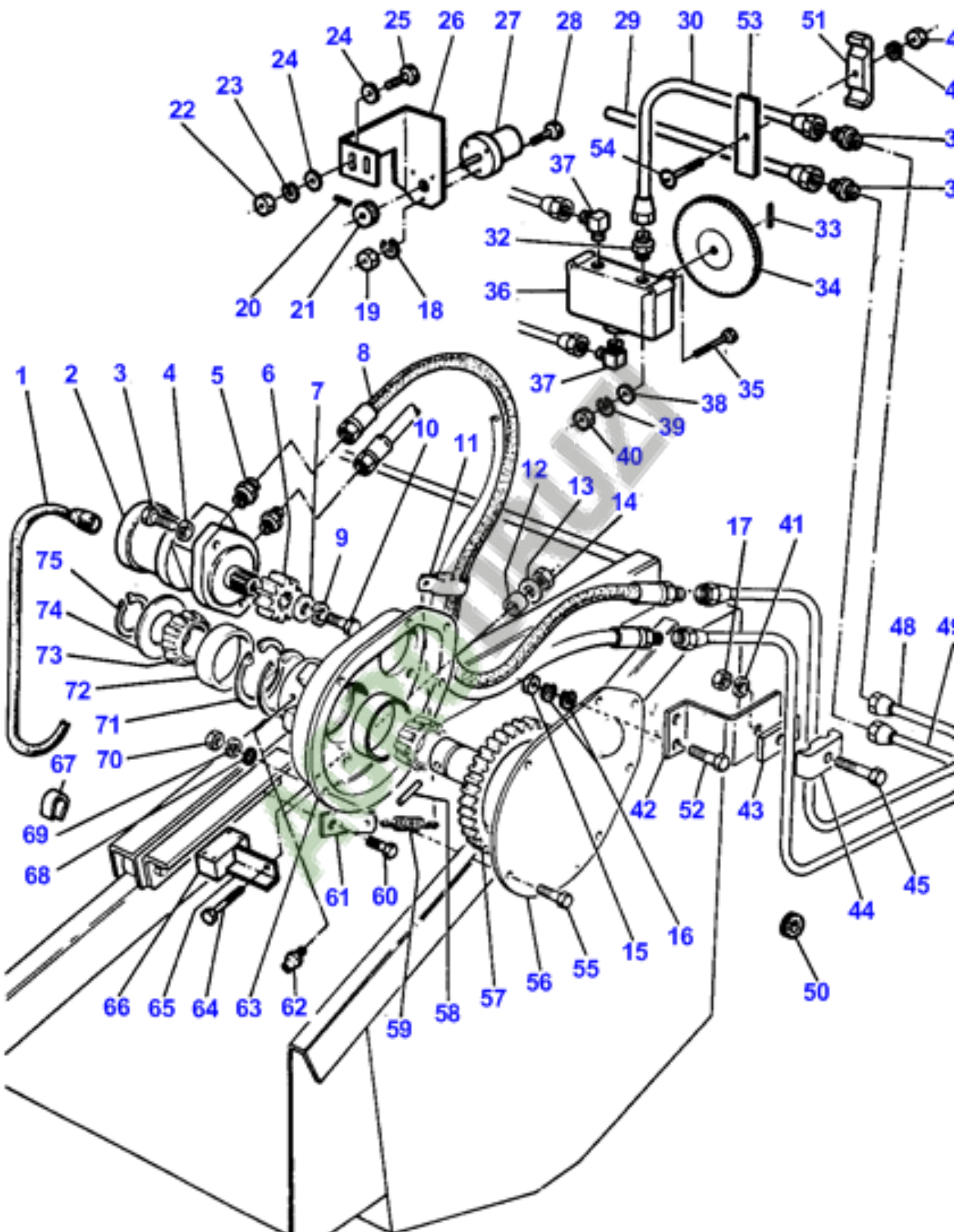


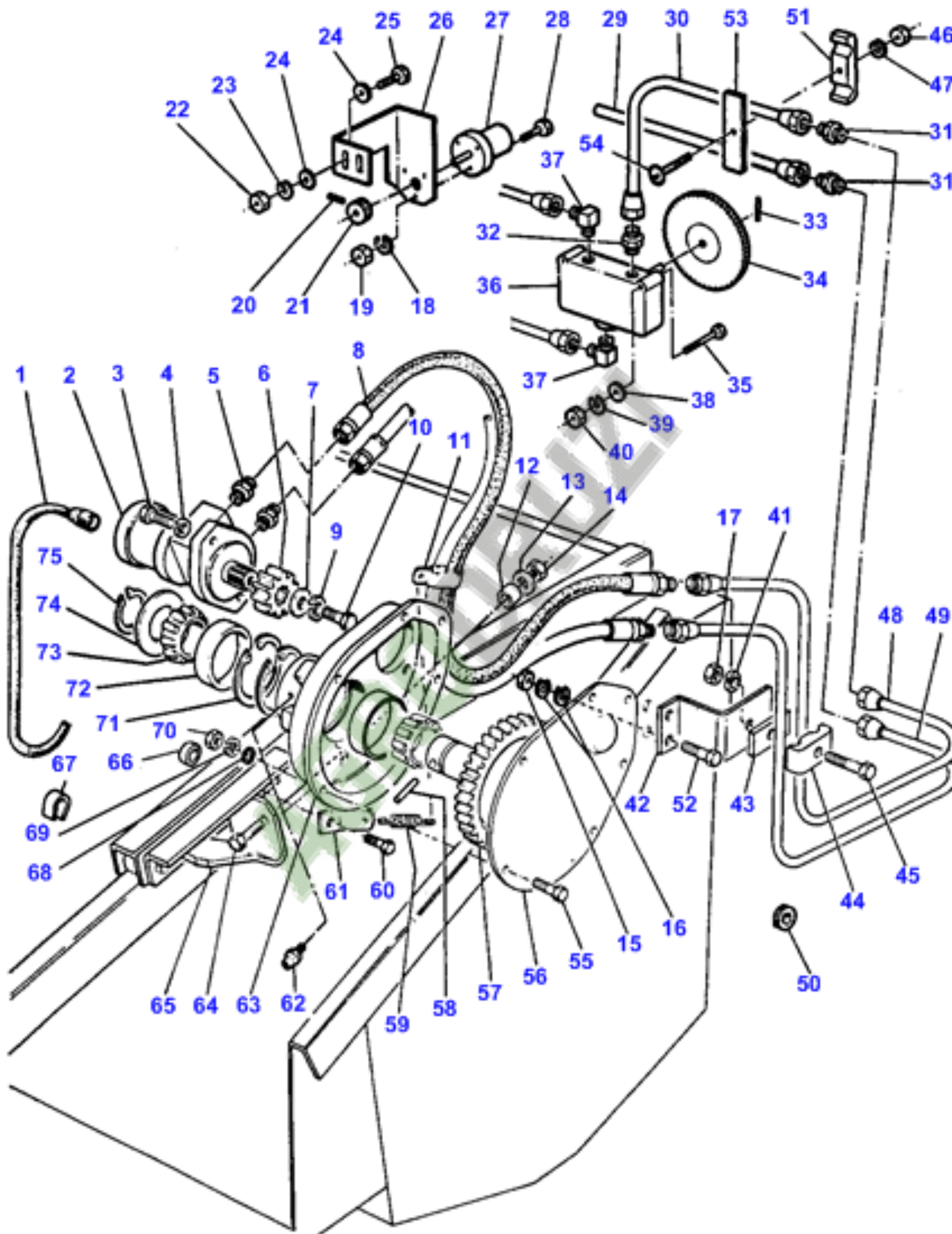


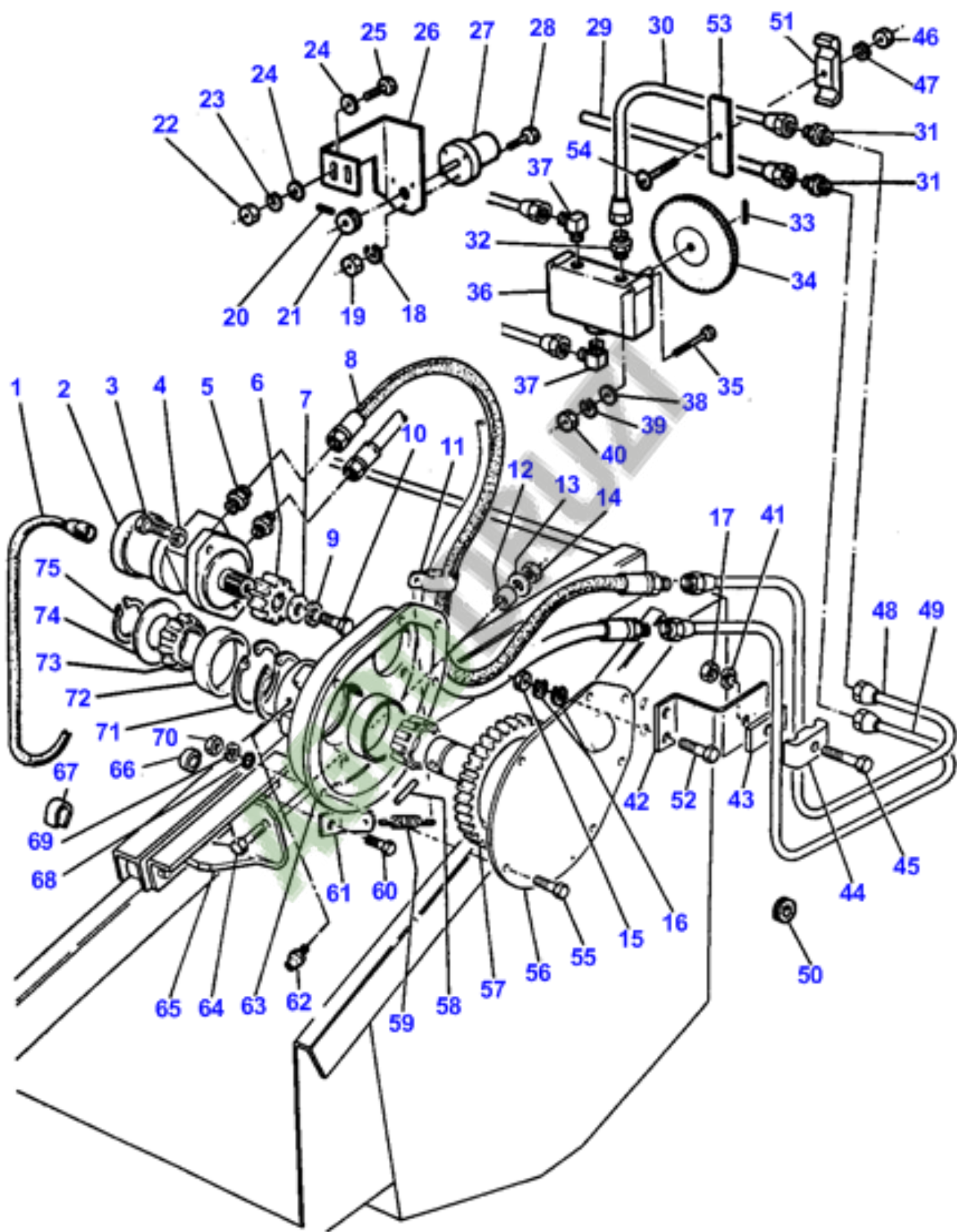


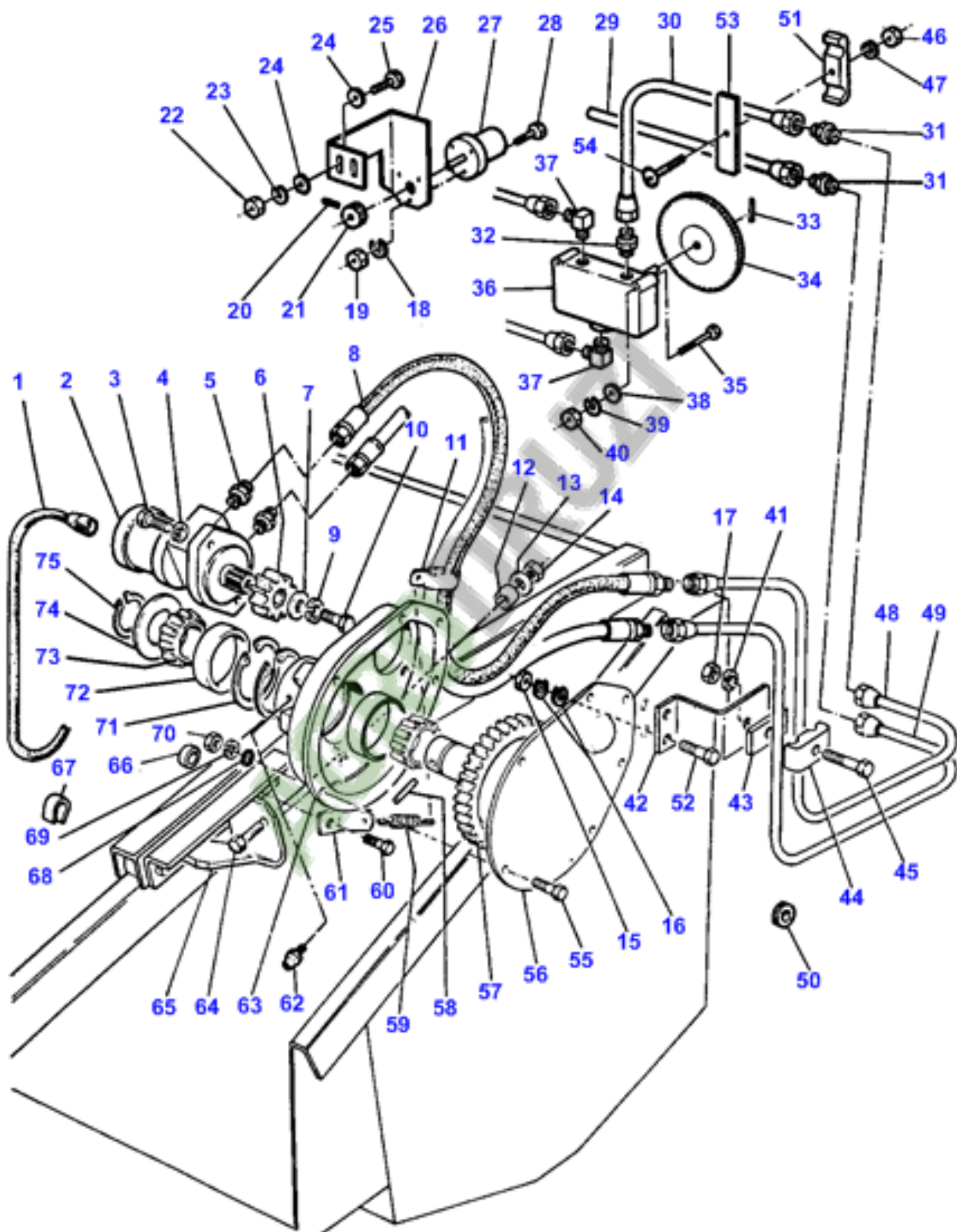


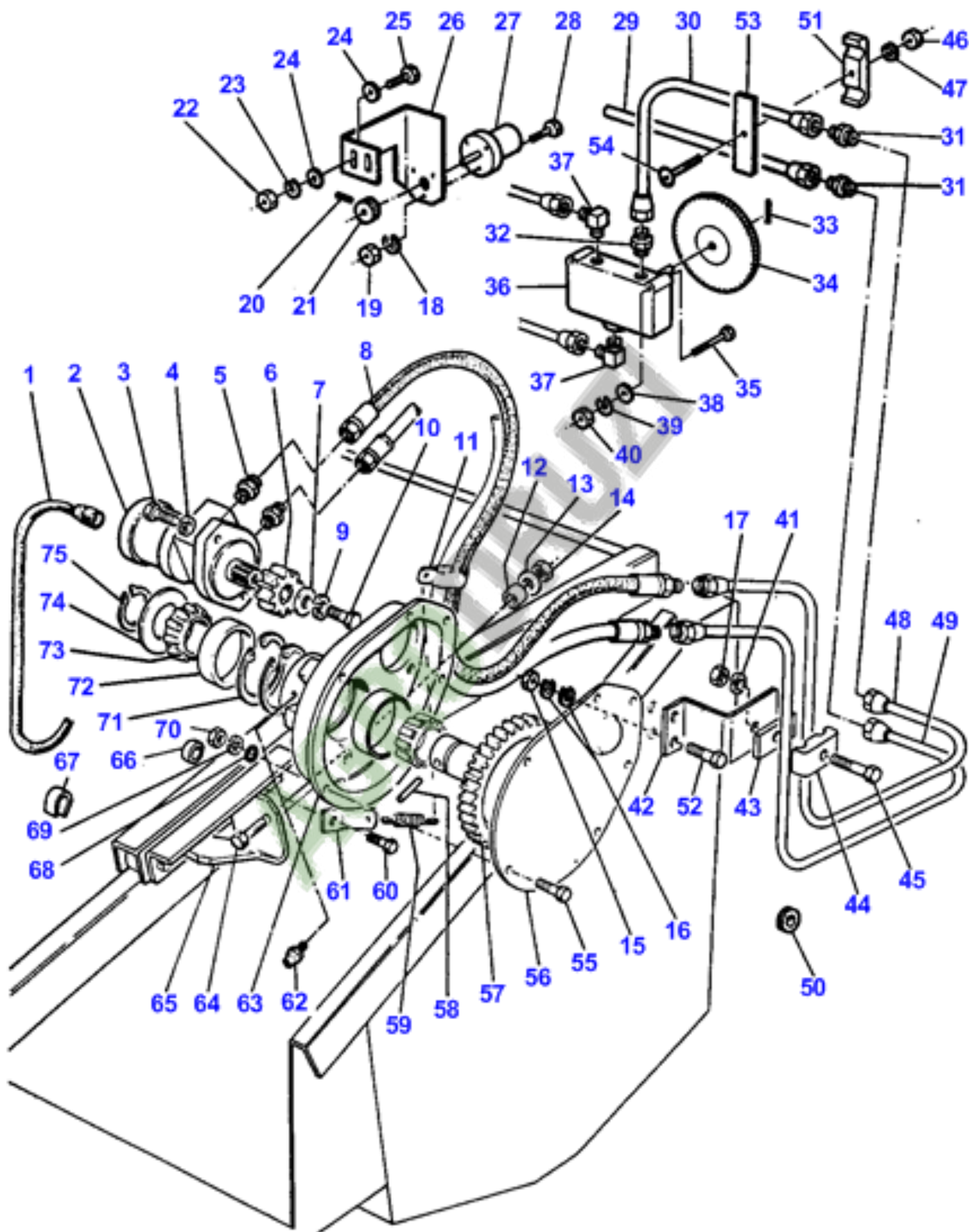


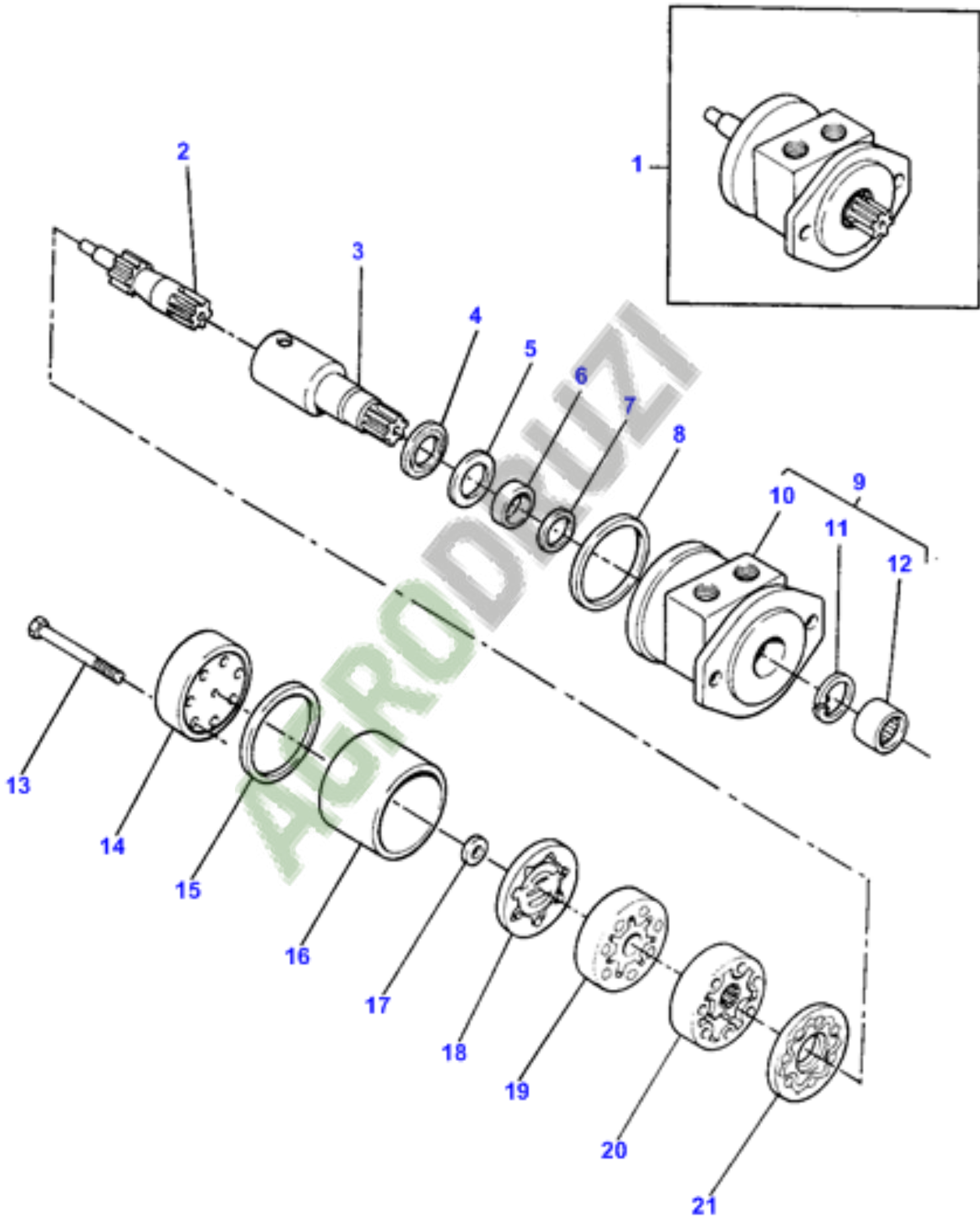


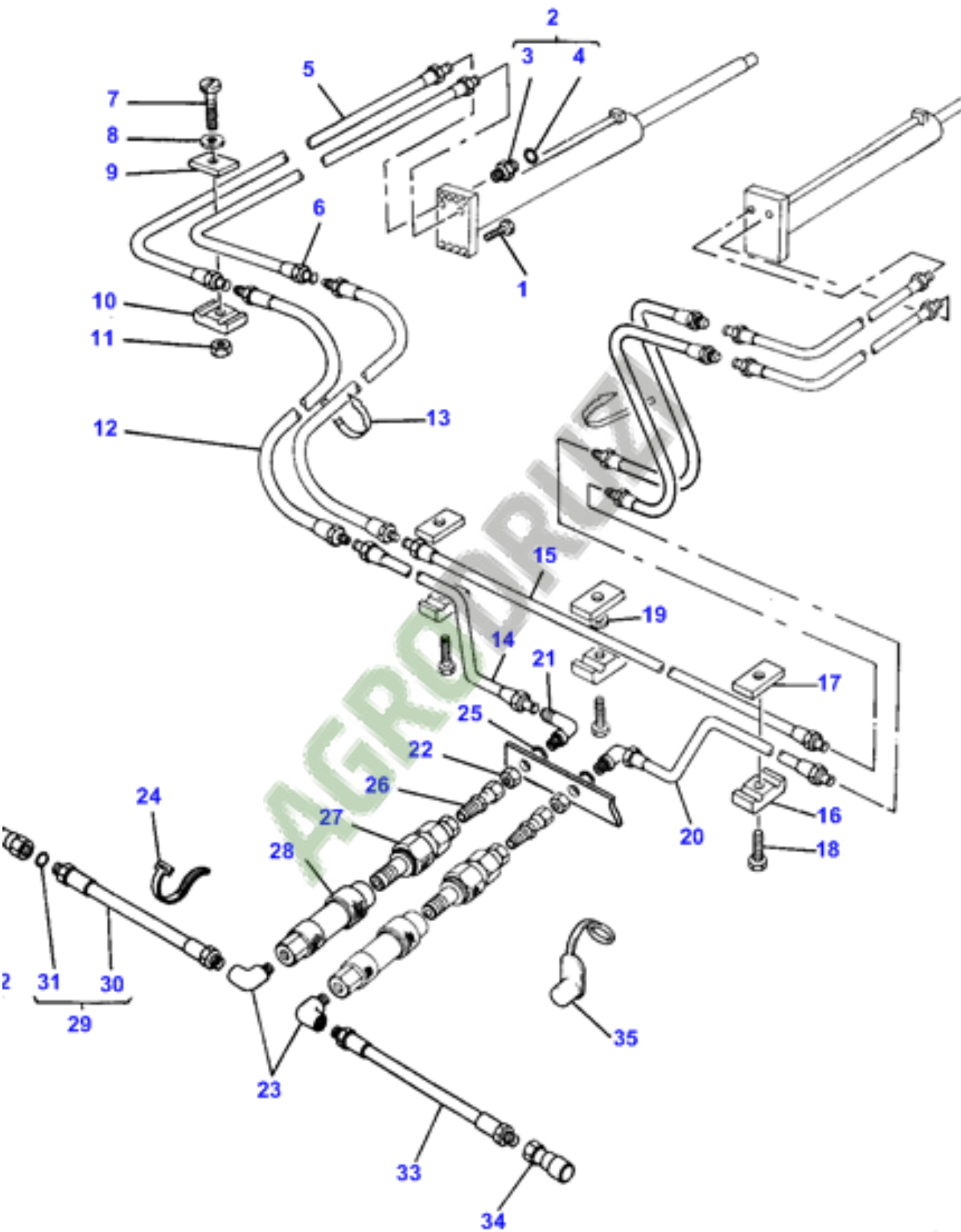


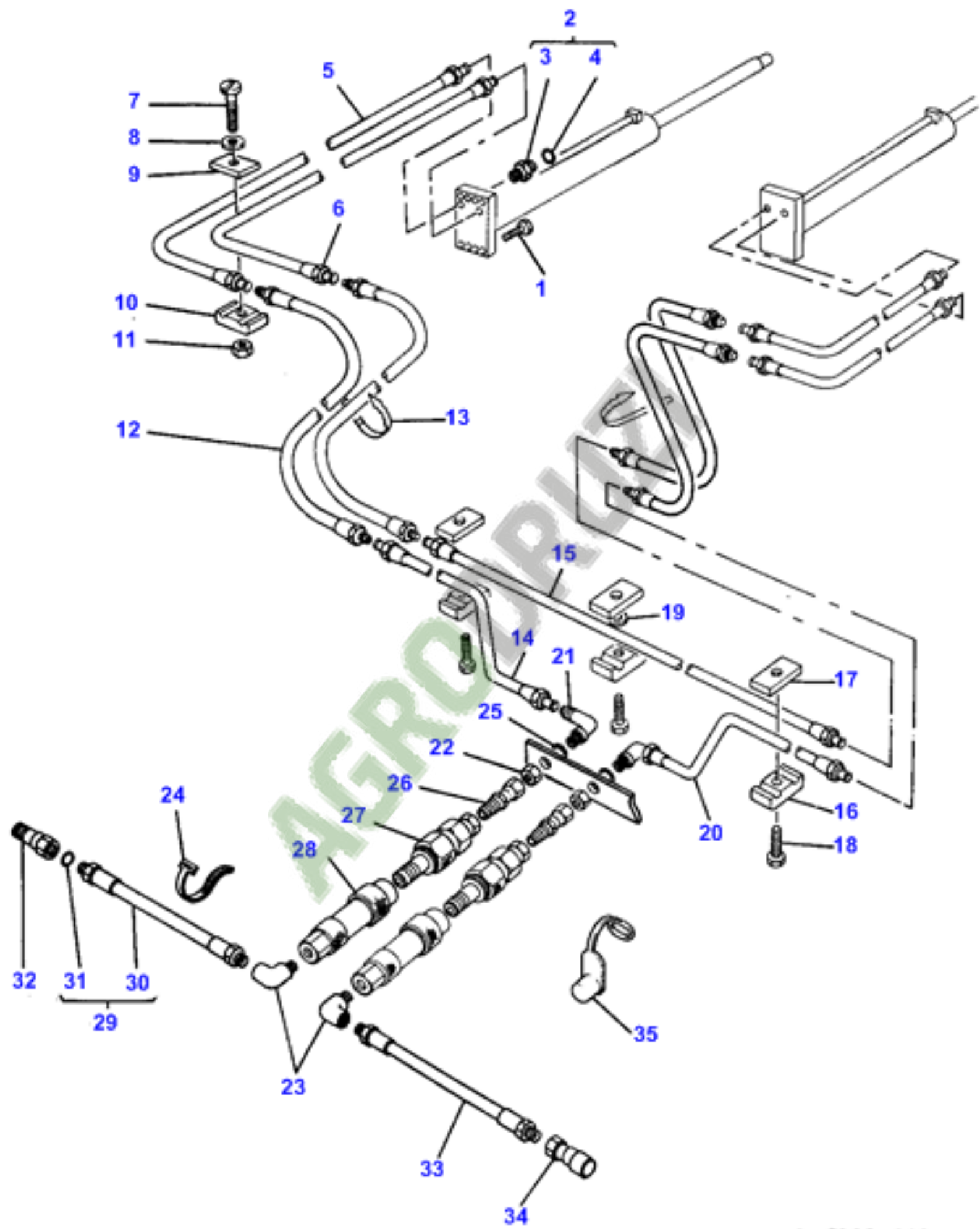


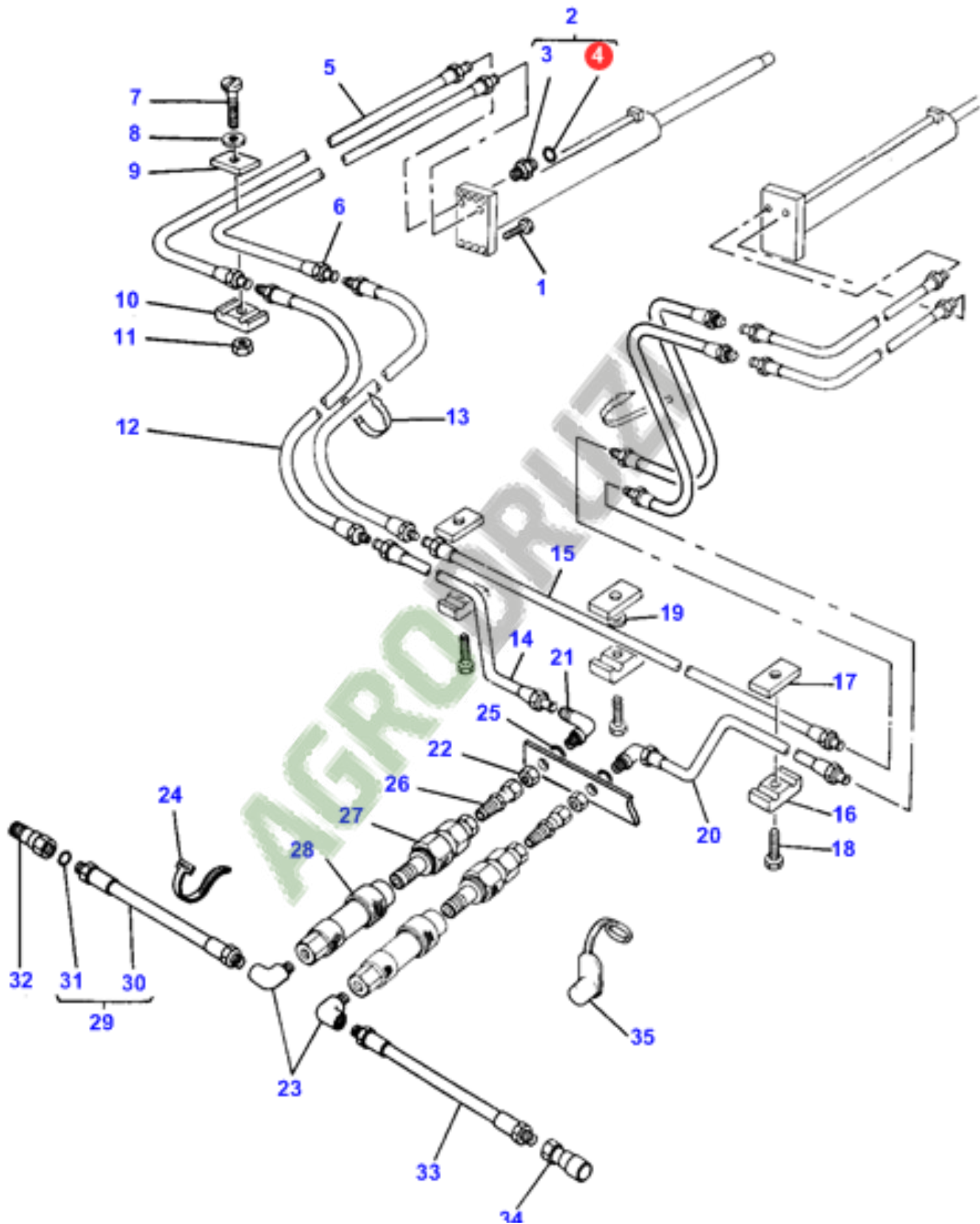


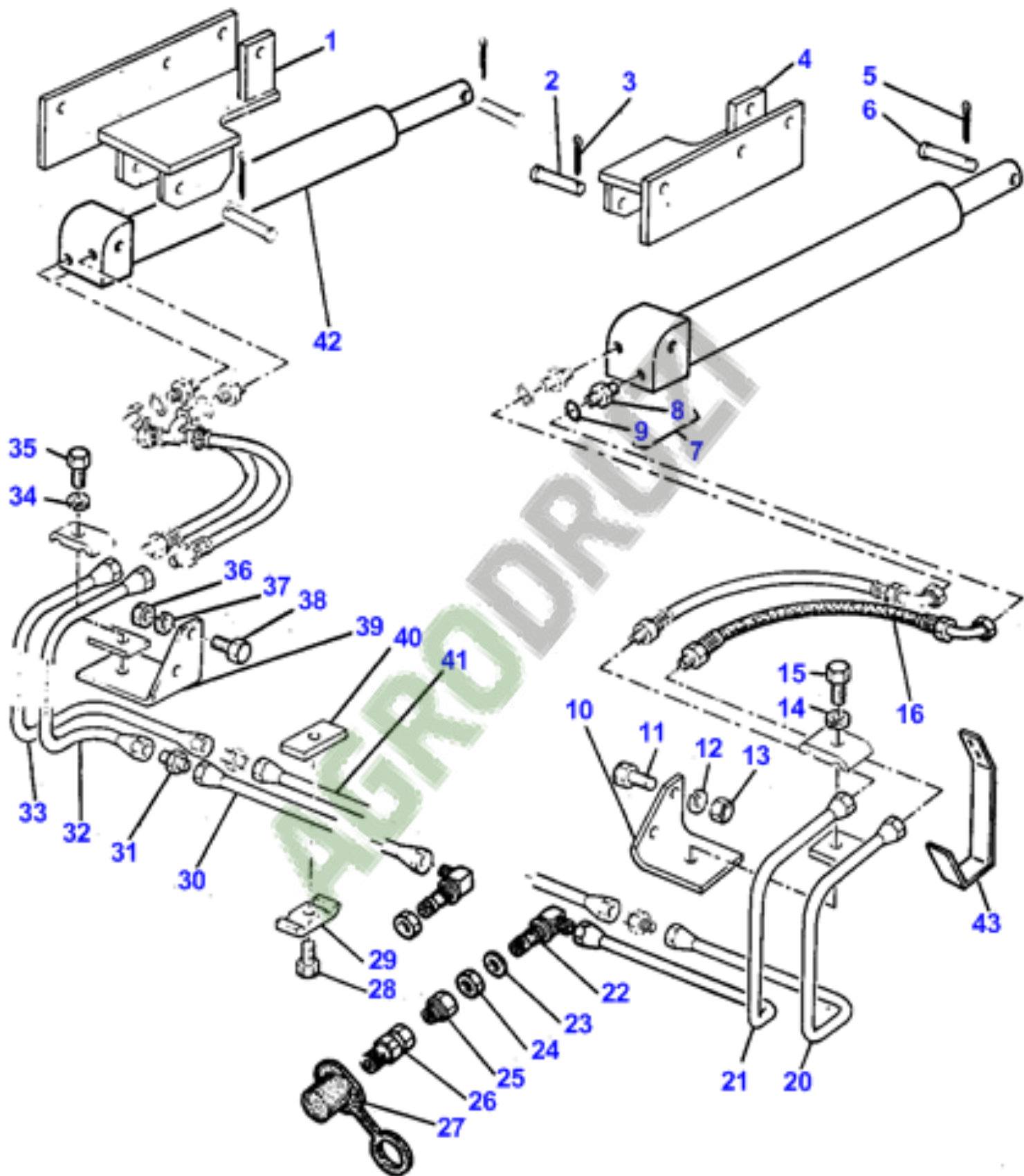


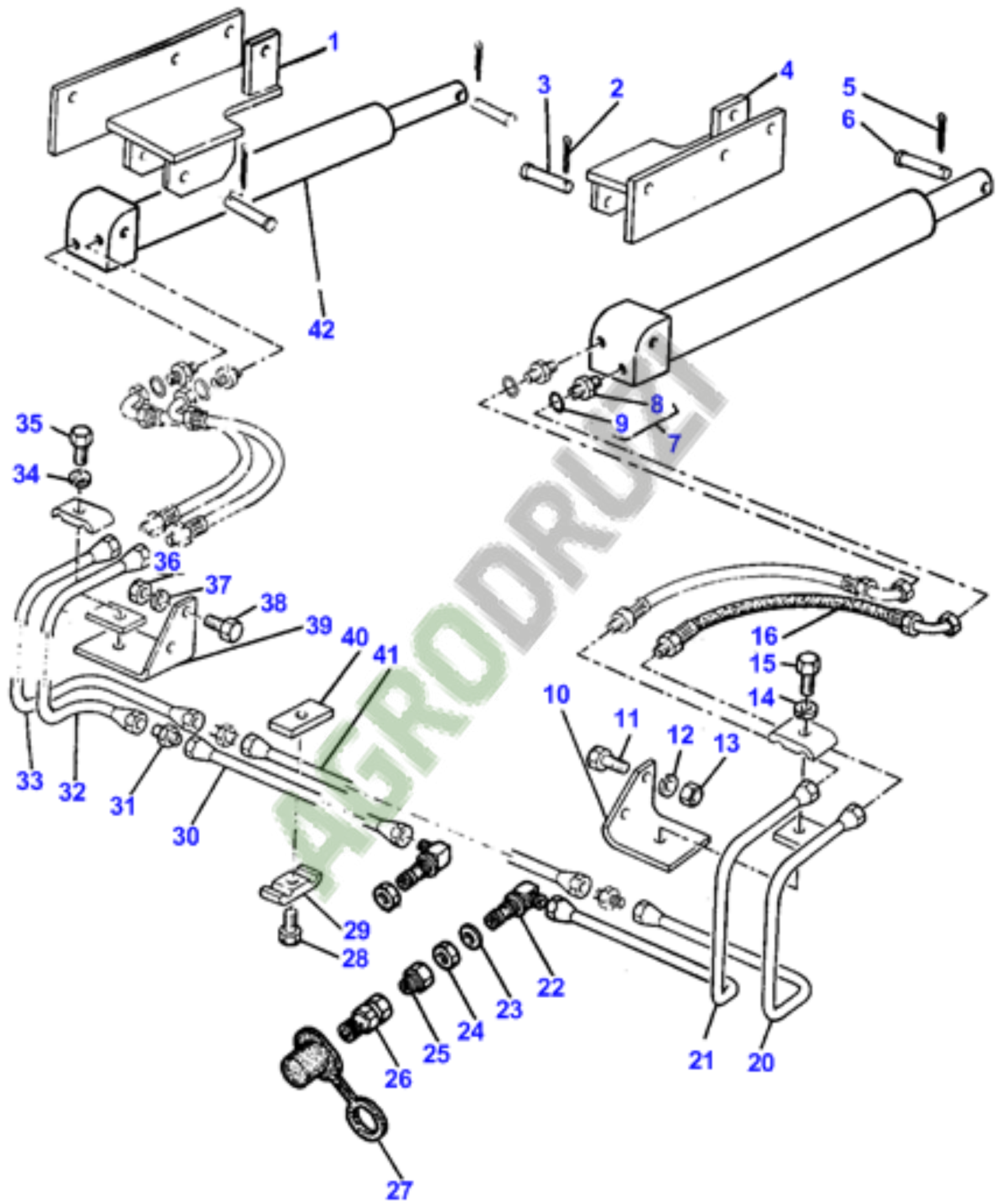


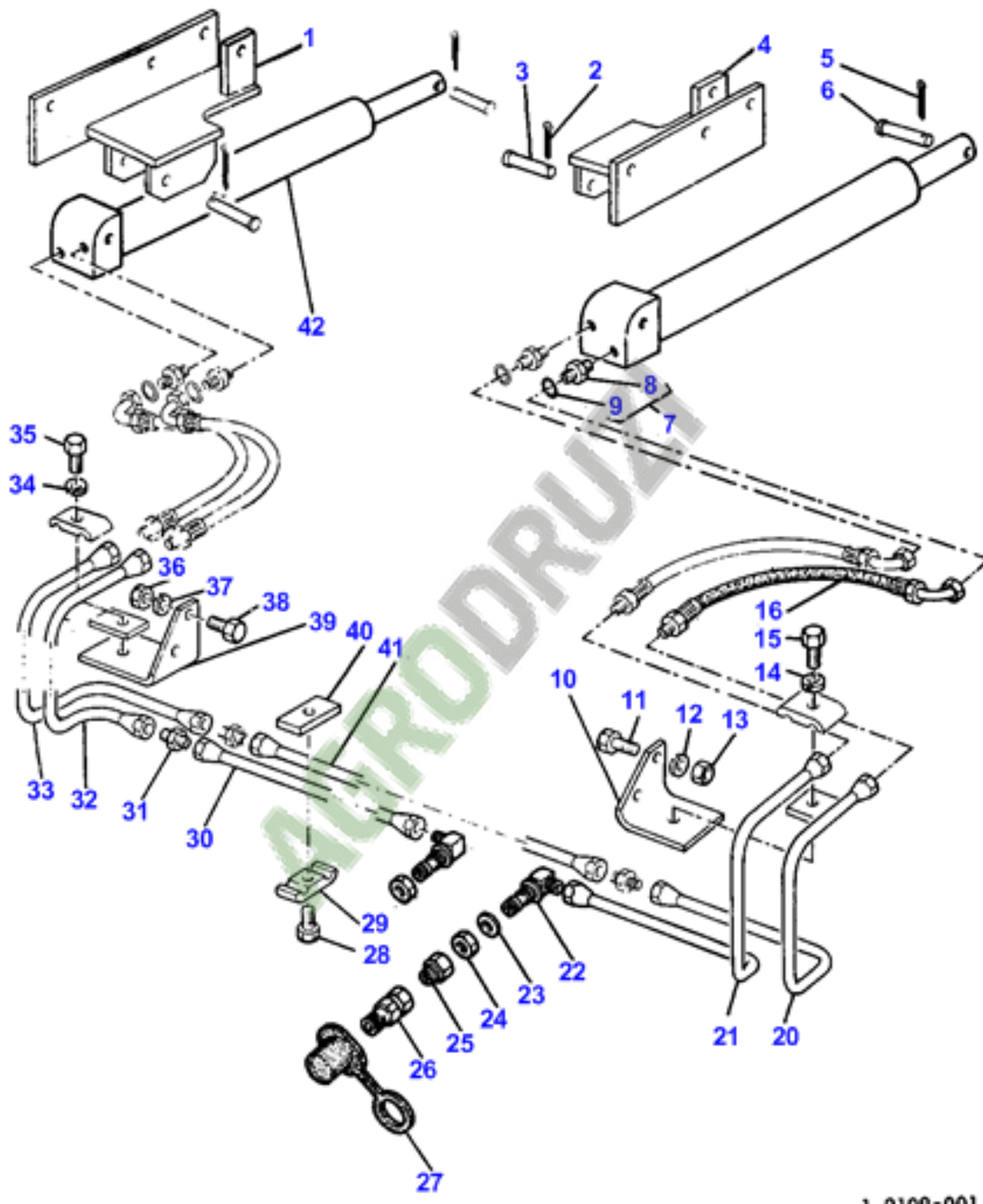




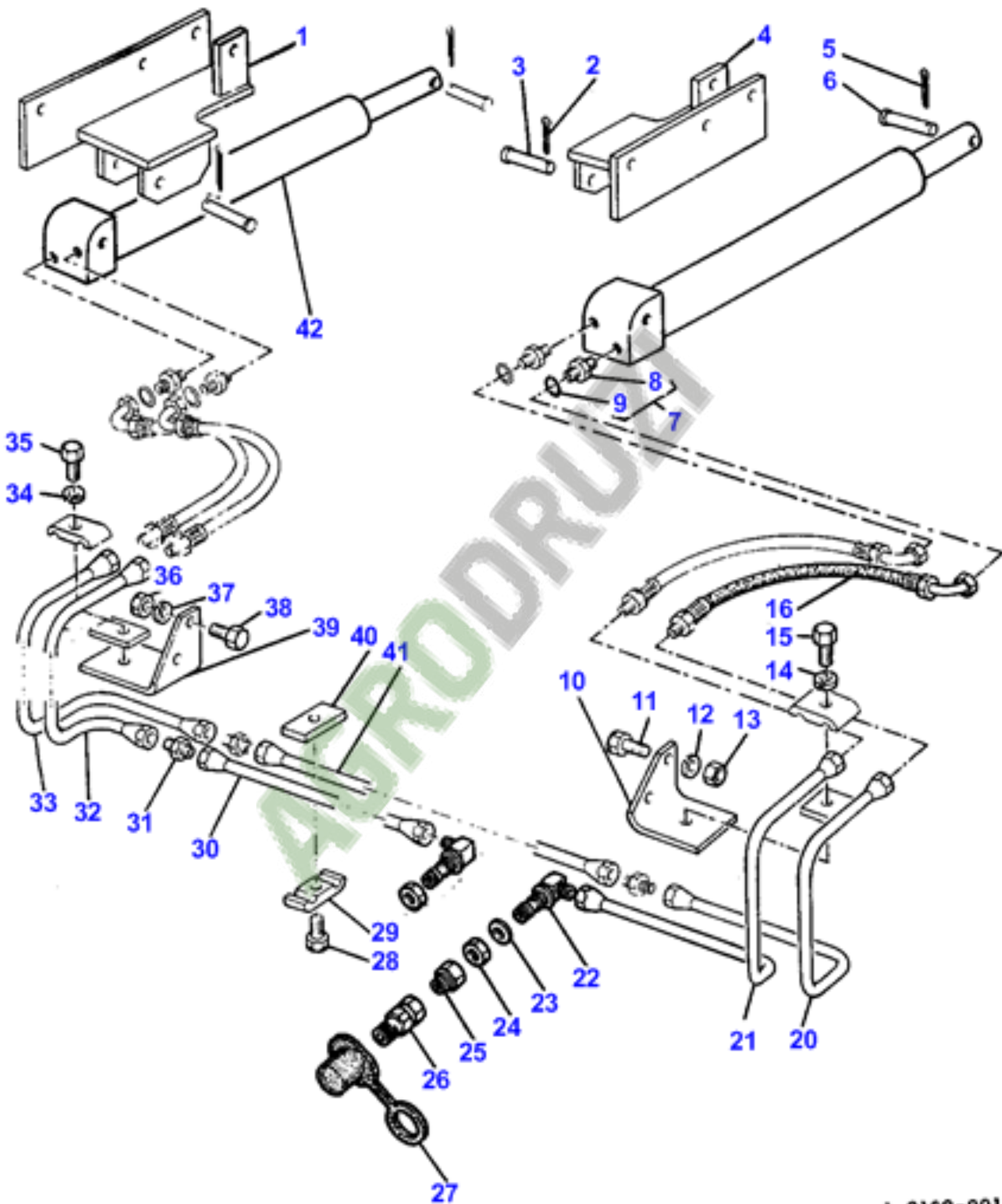




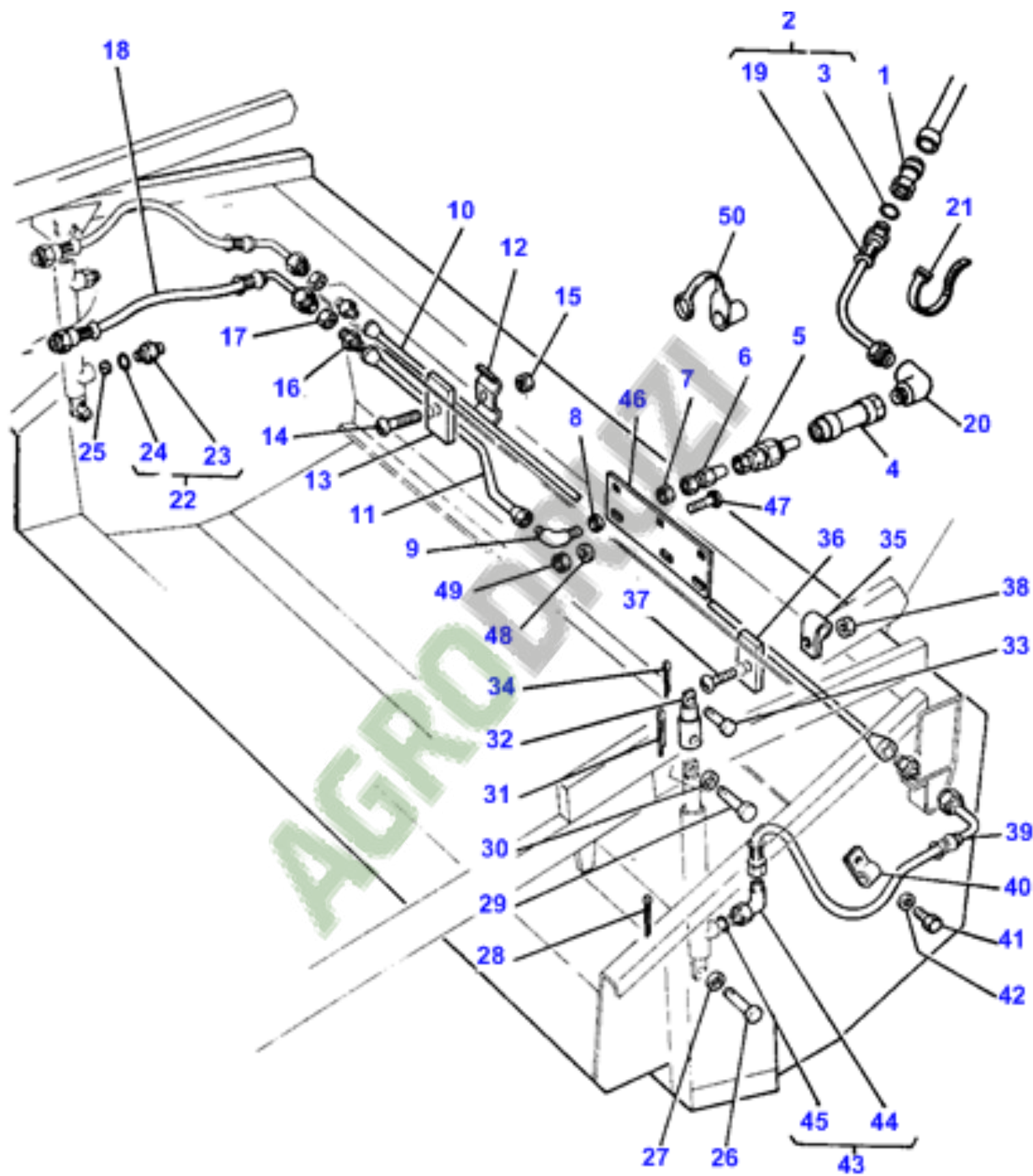


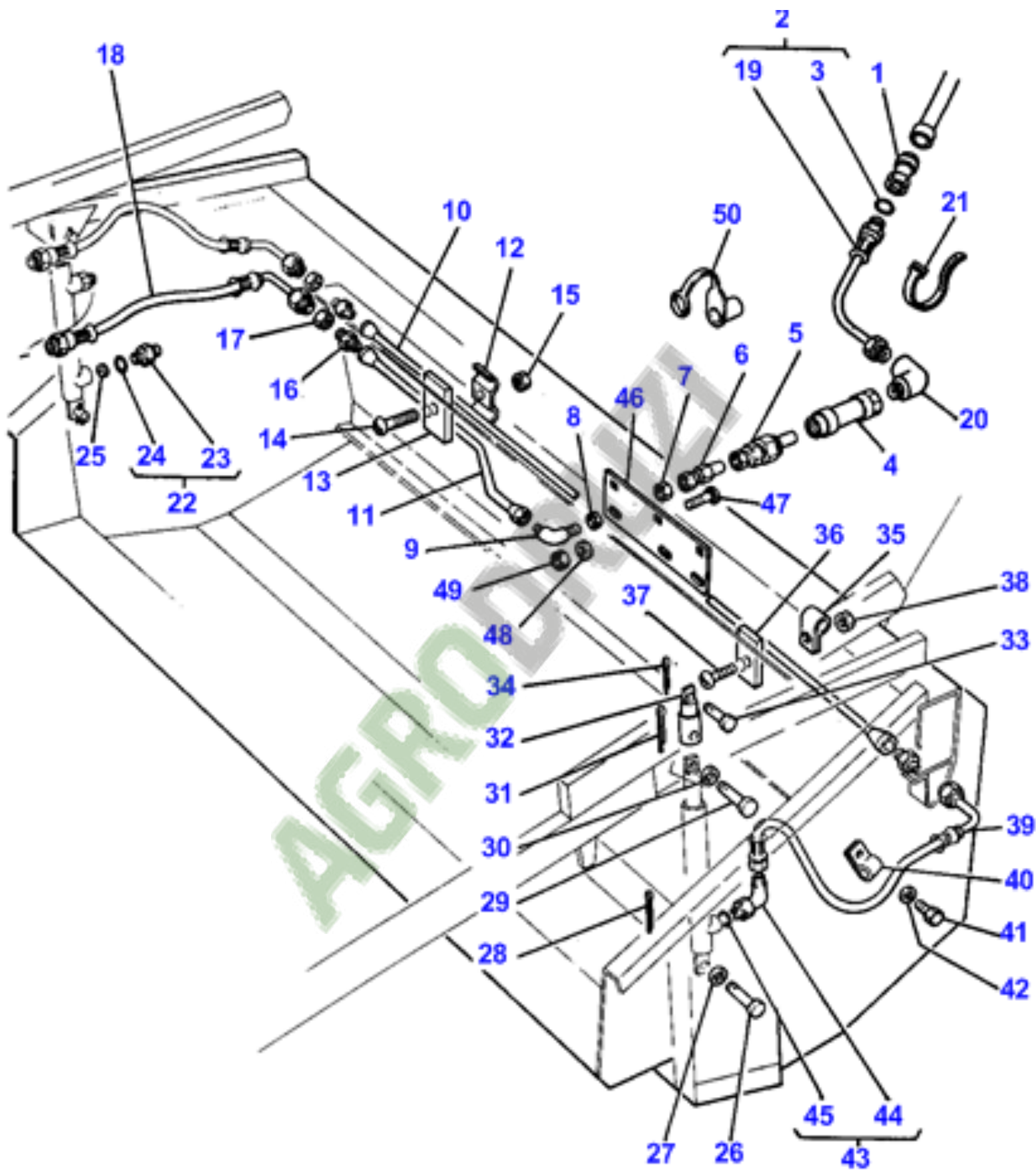


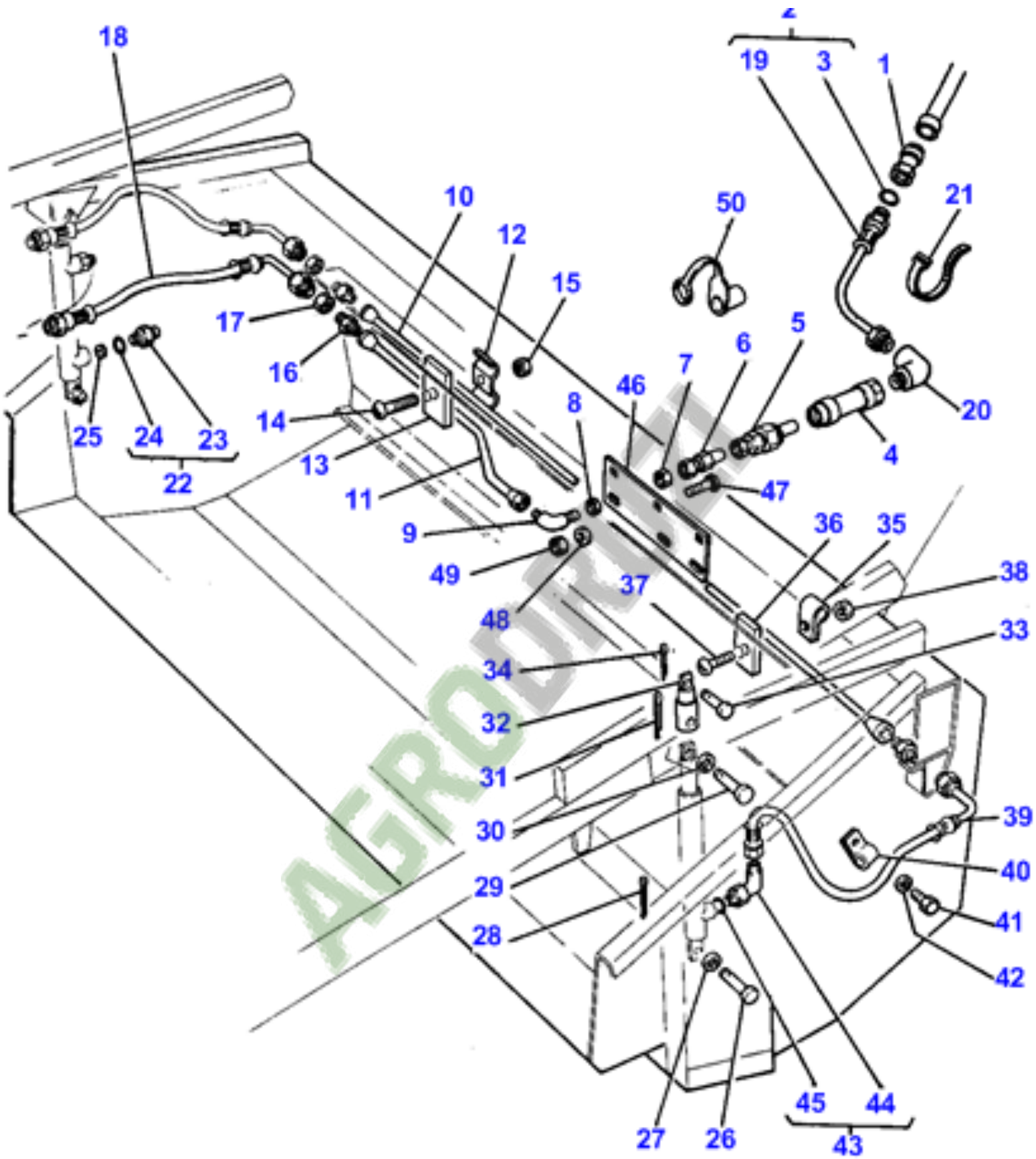
1 3100-001

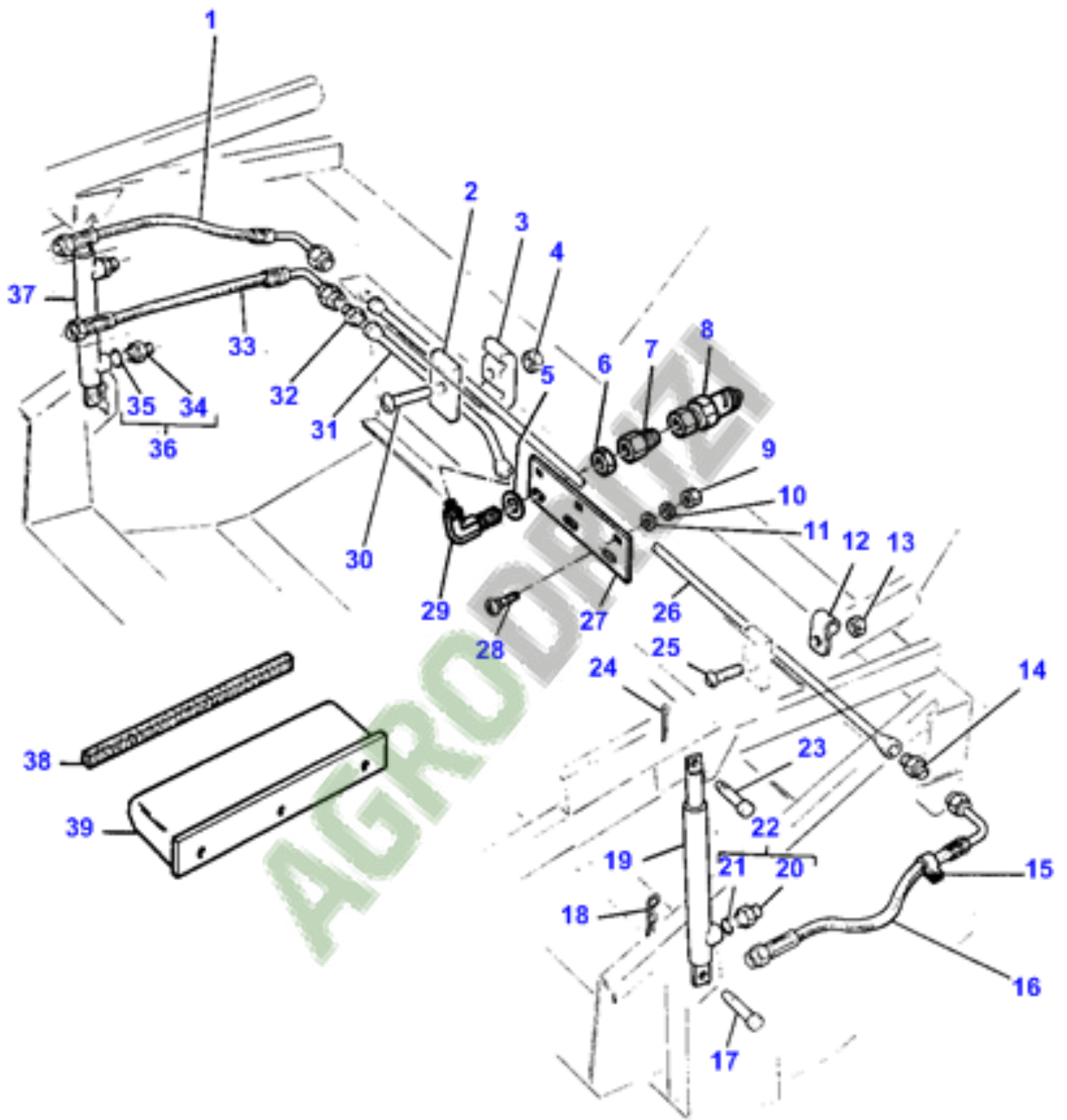


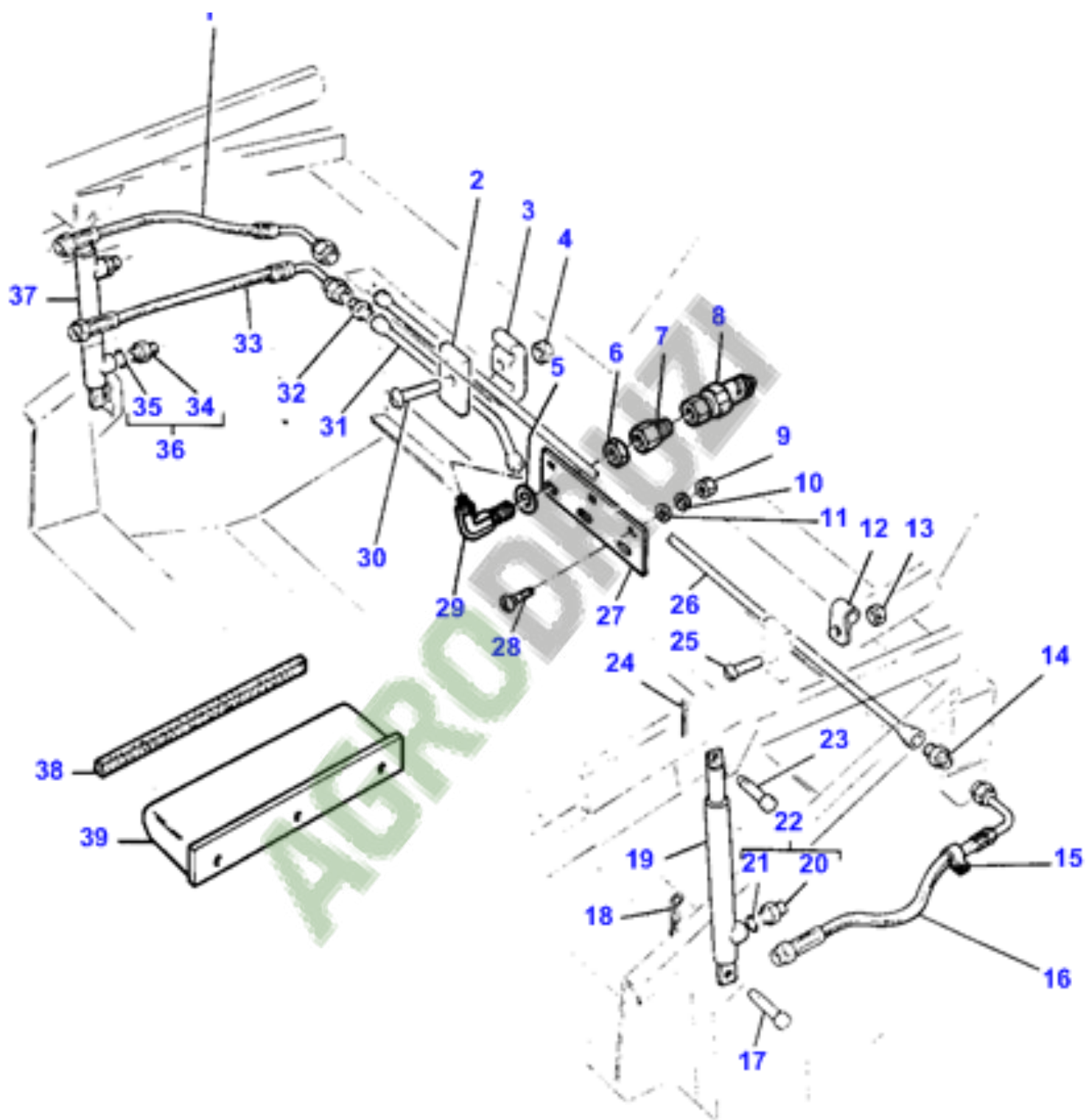
1-2109-001

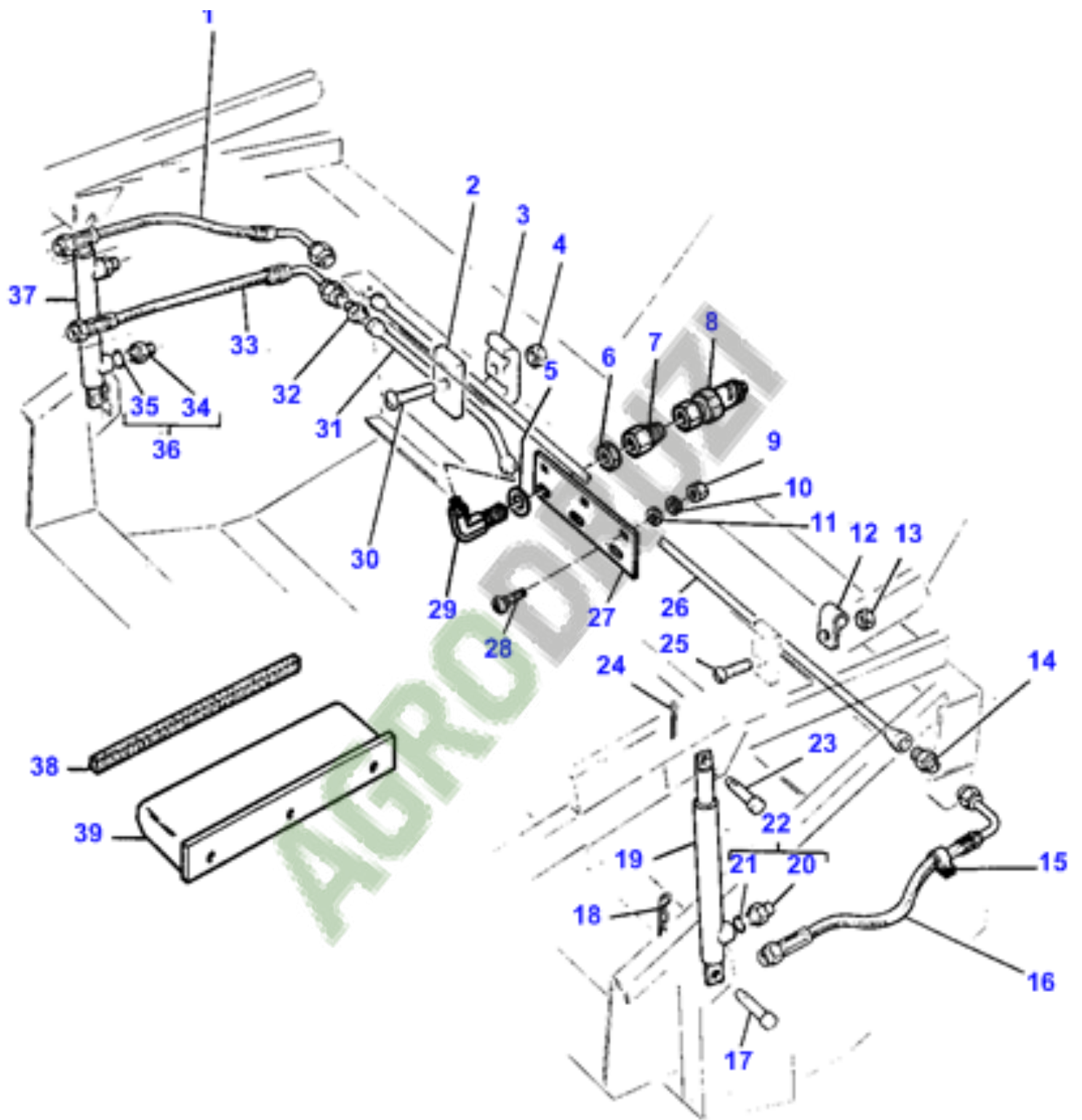


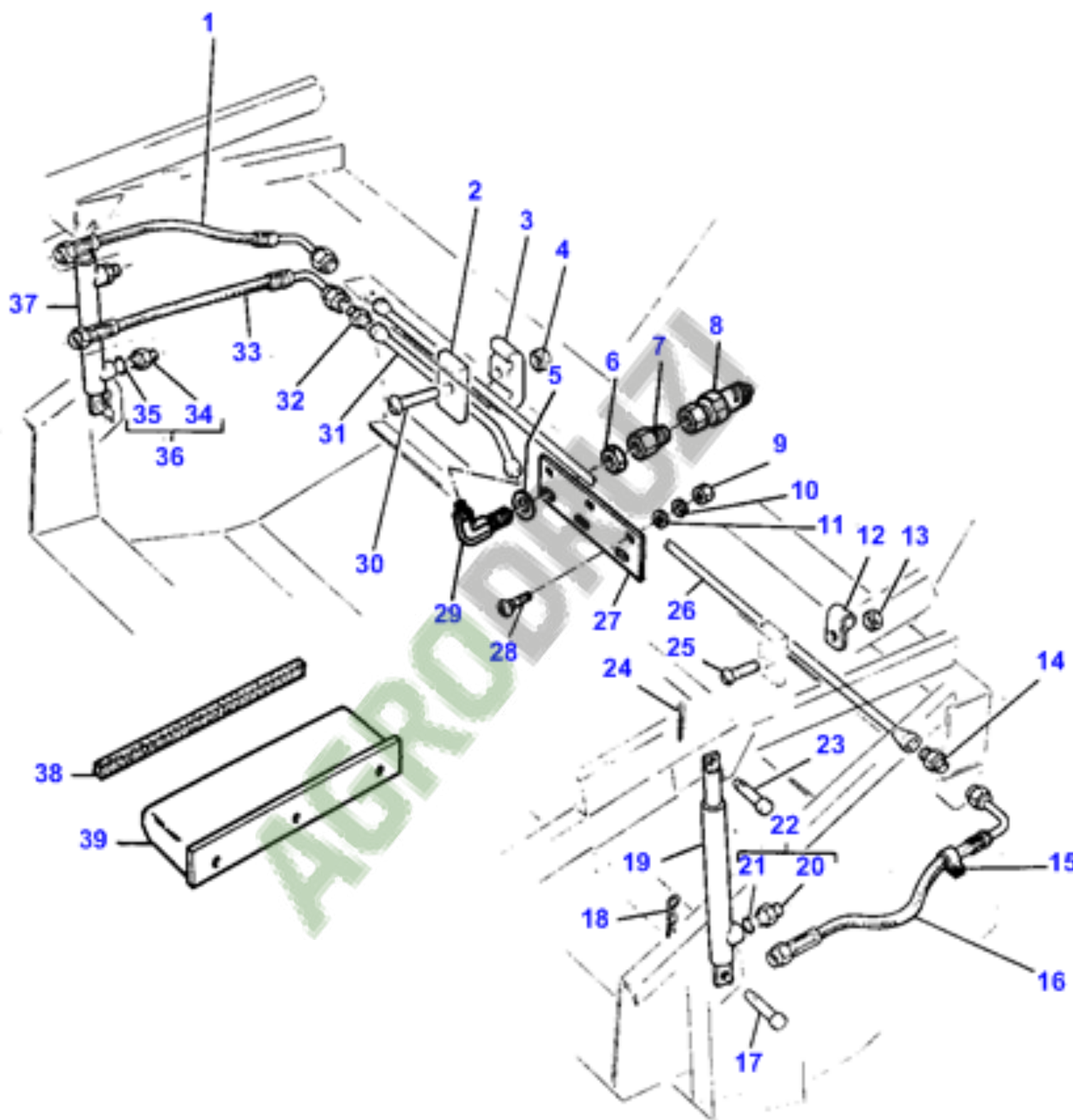


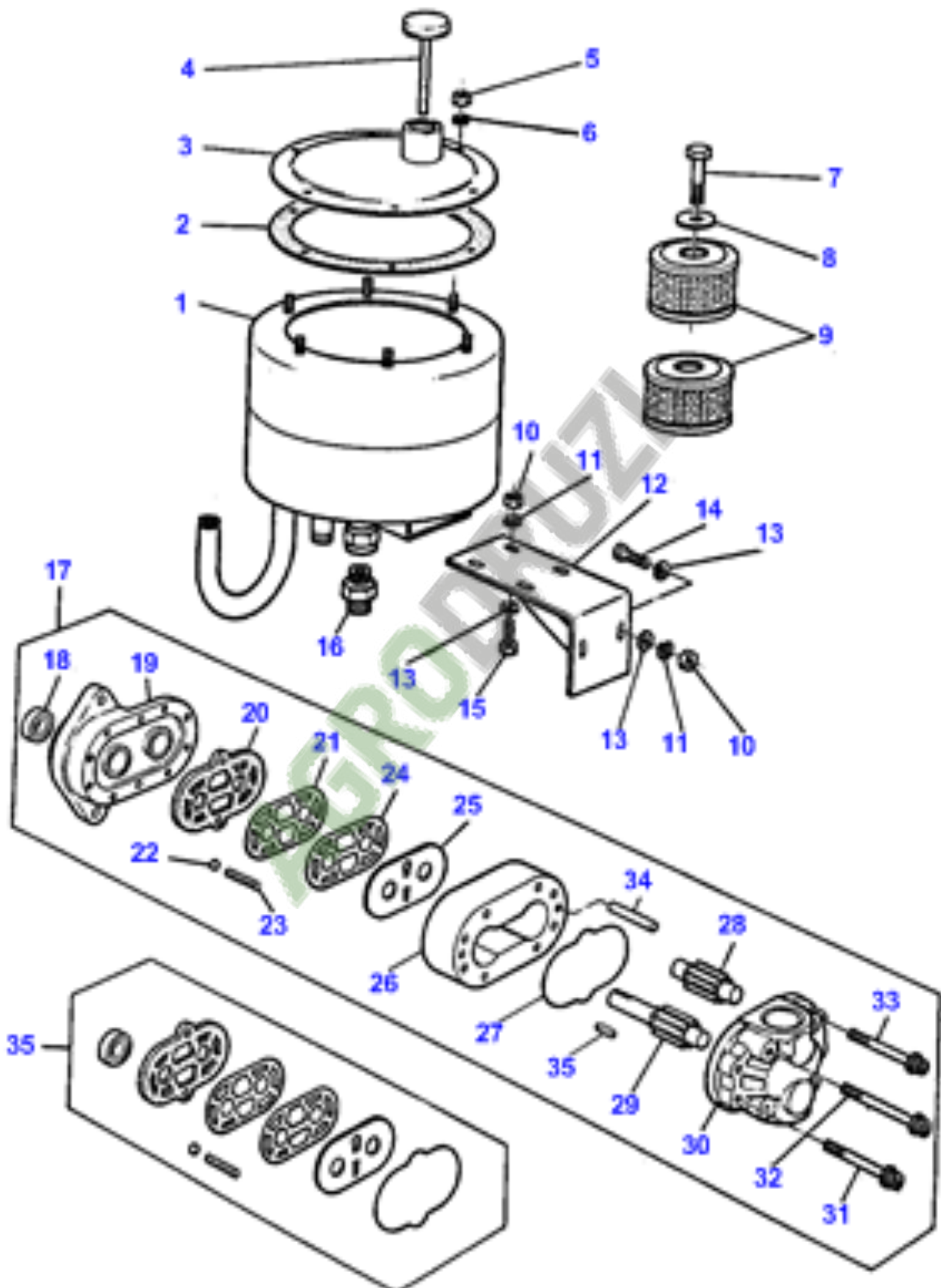


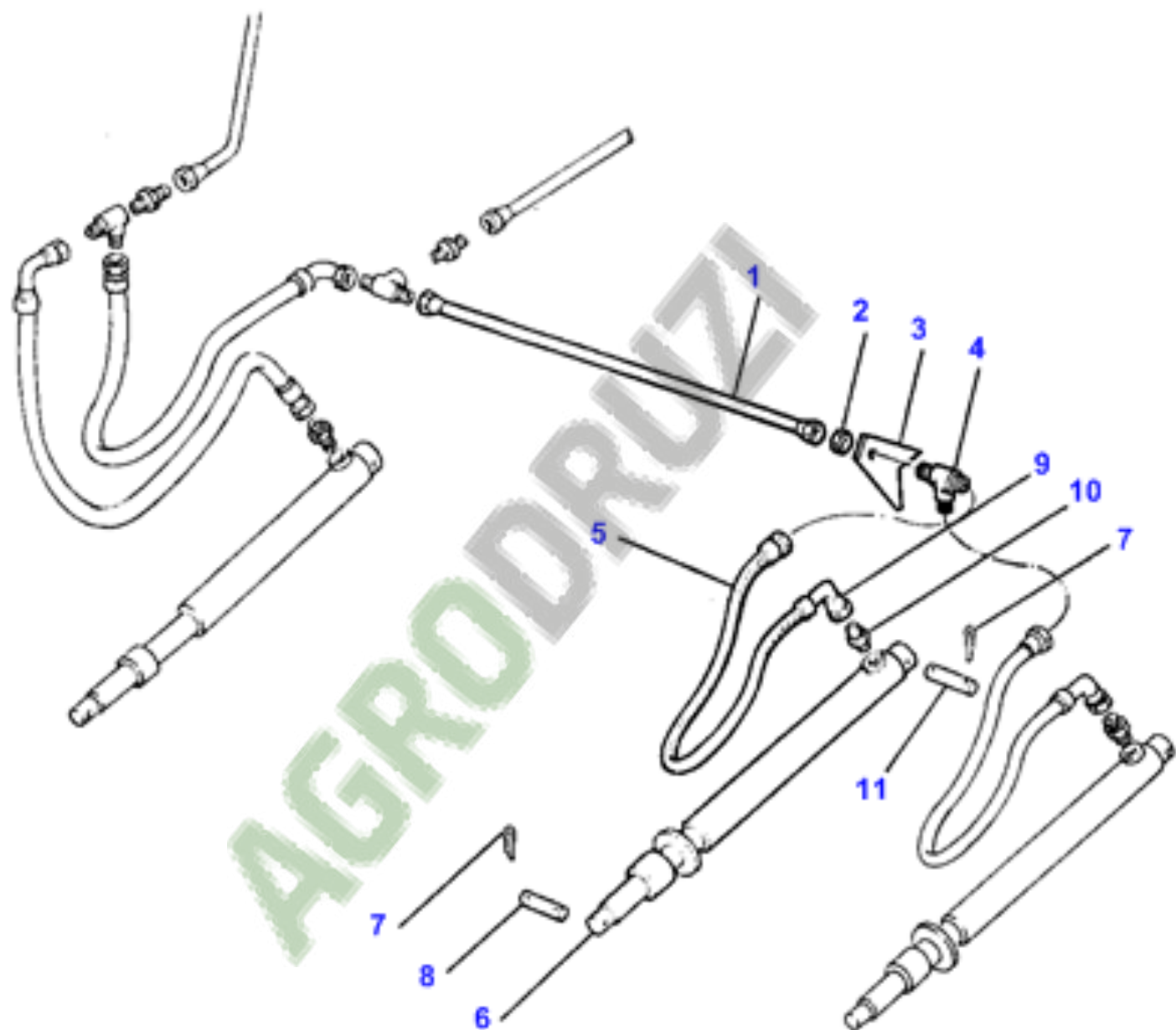


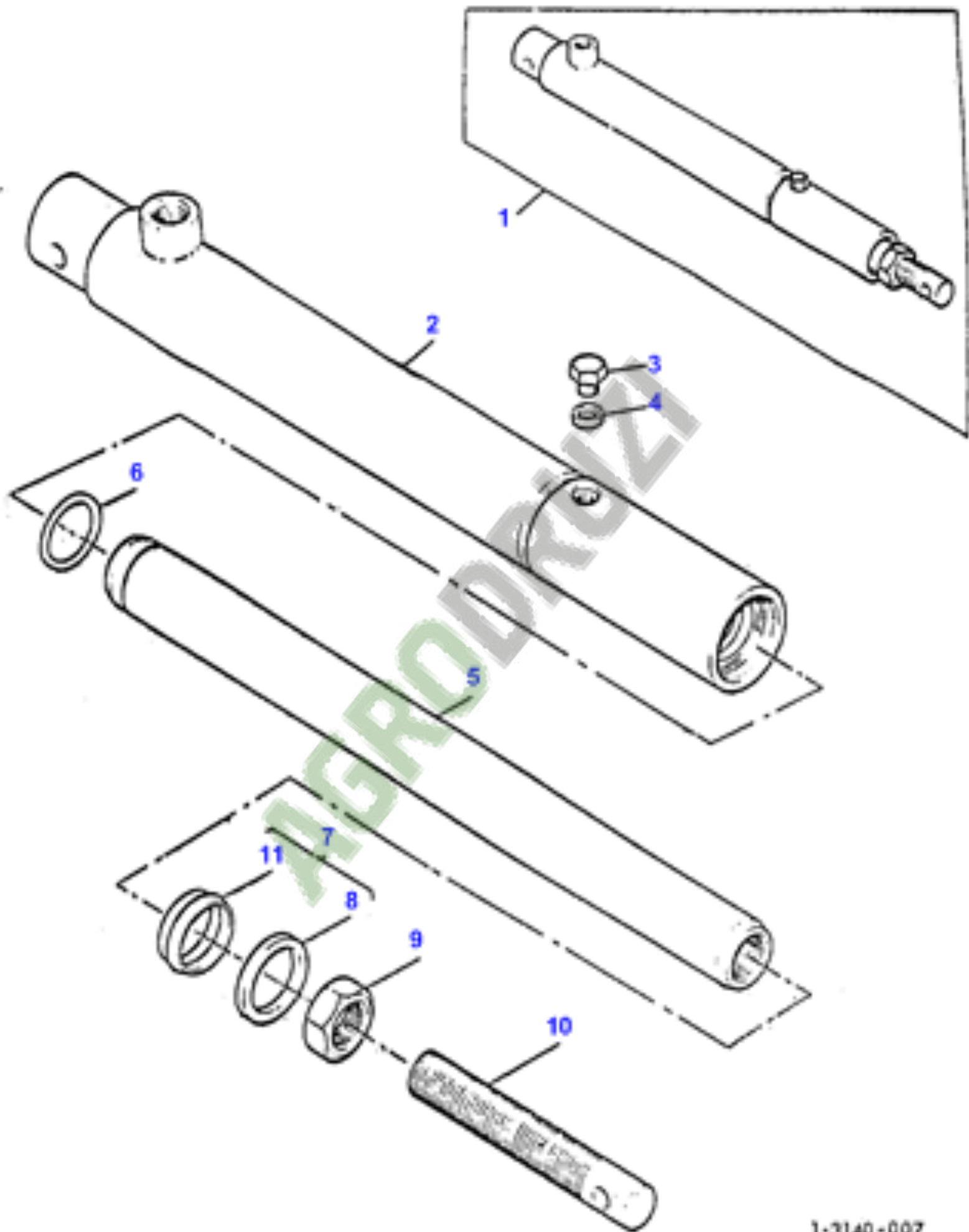




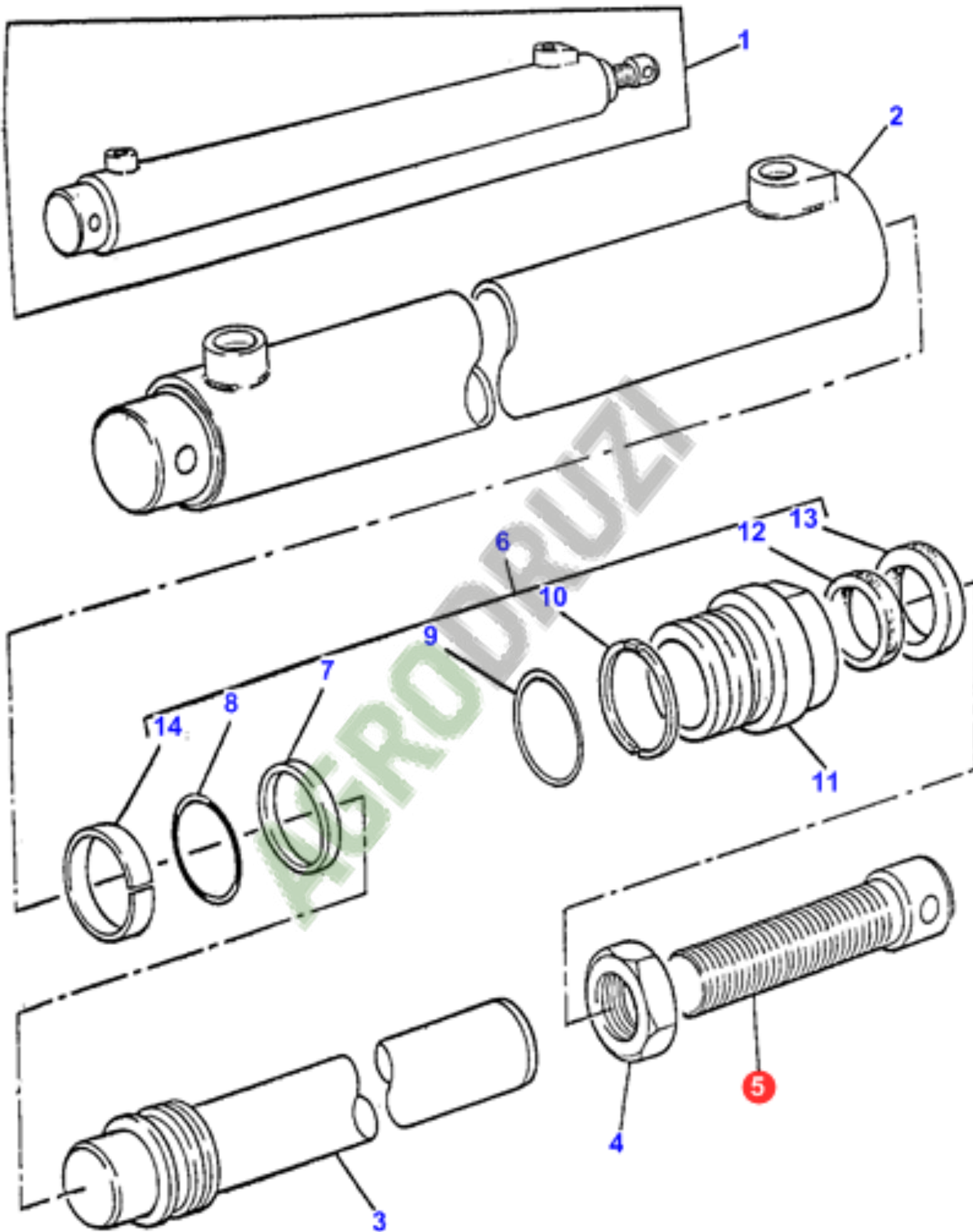


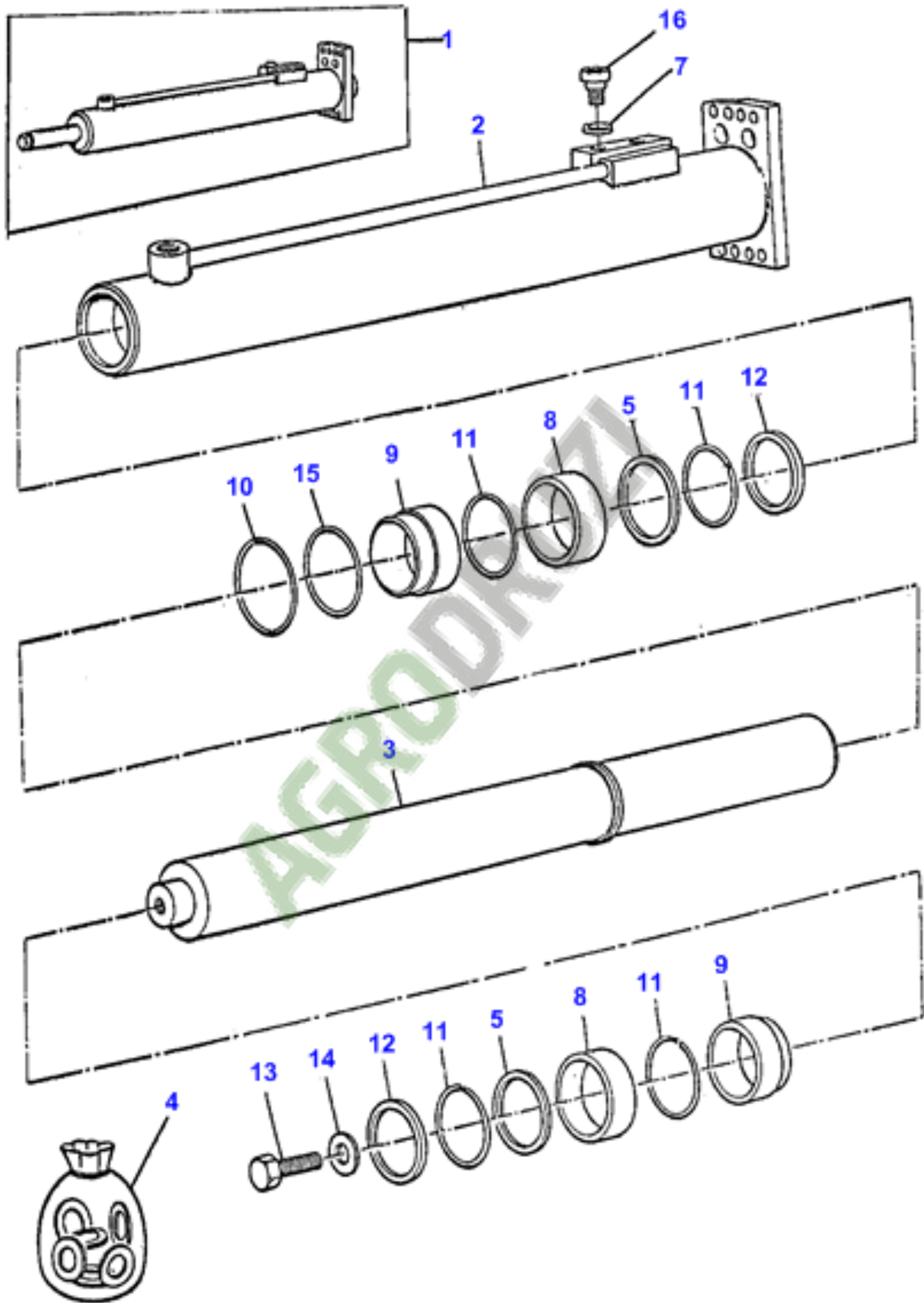


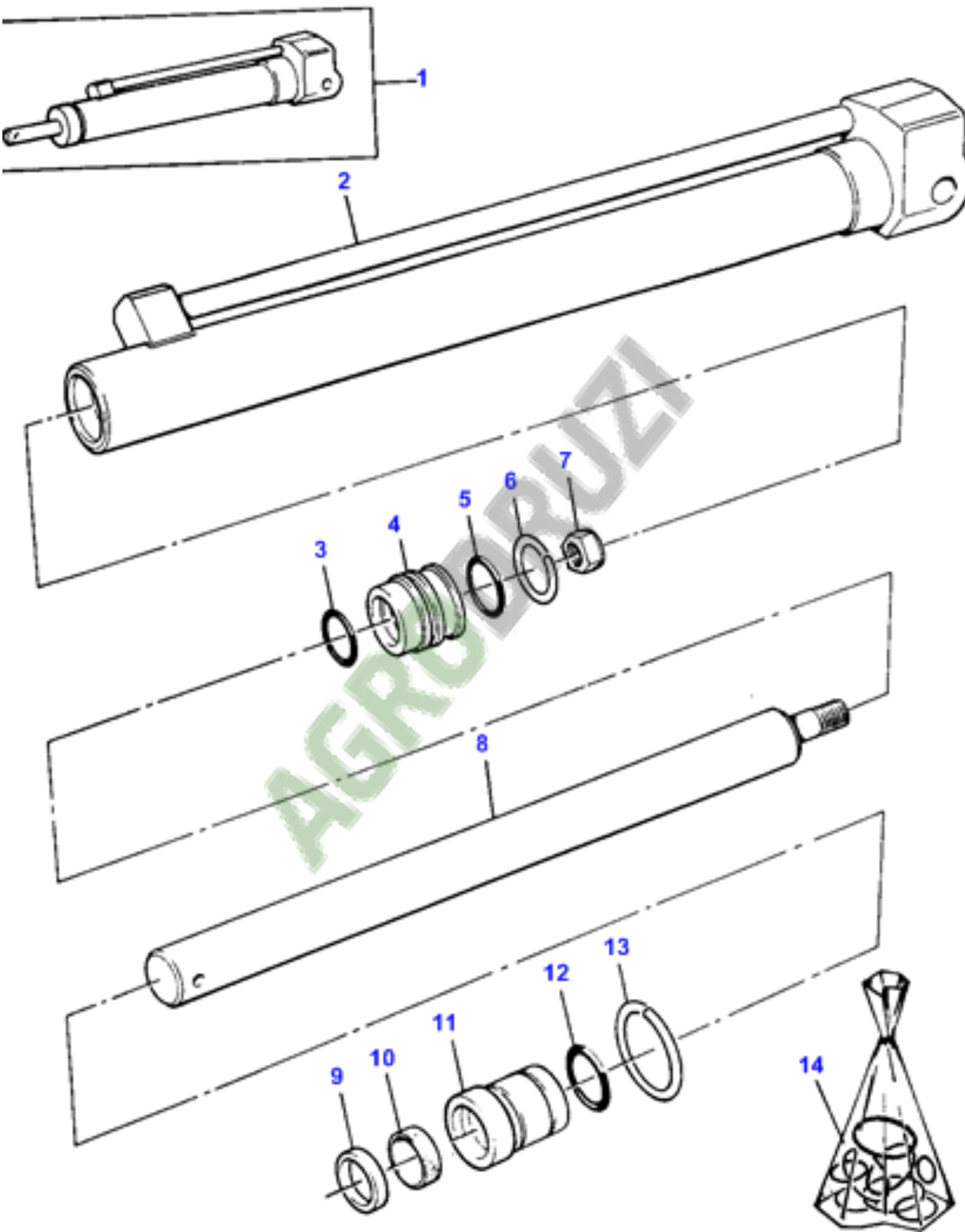


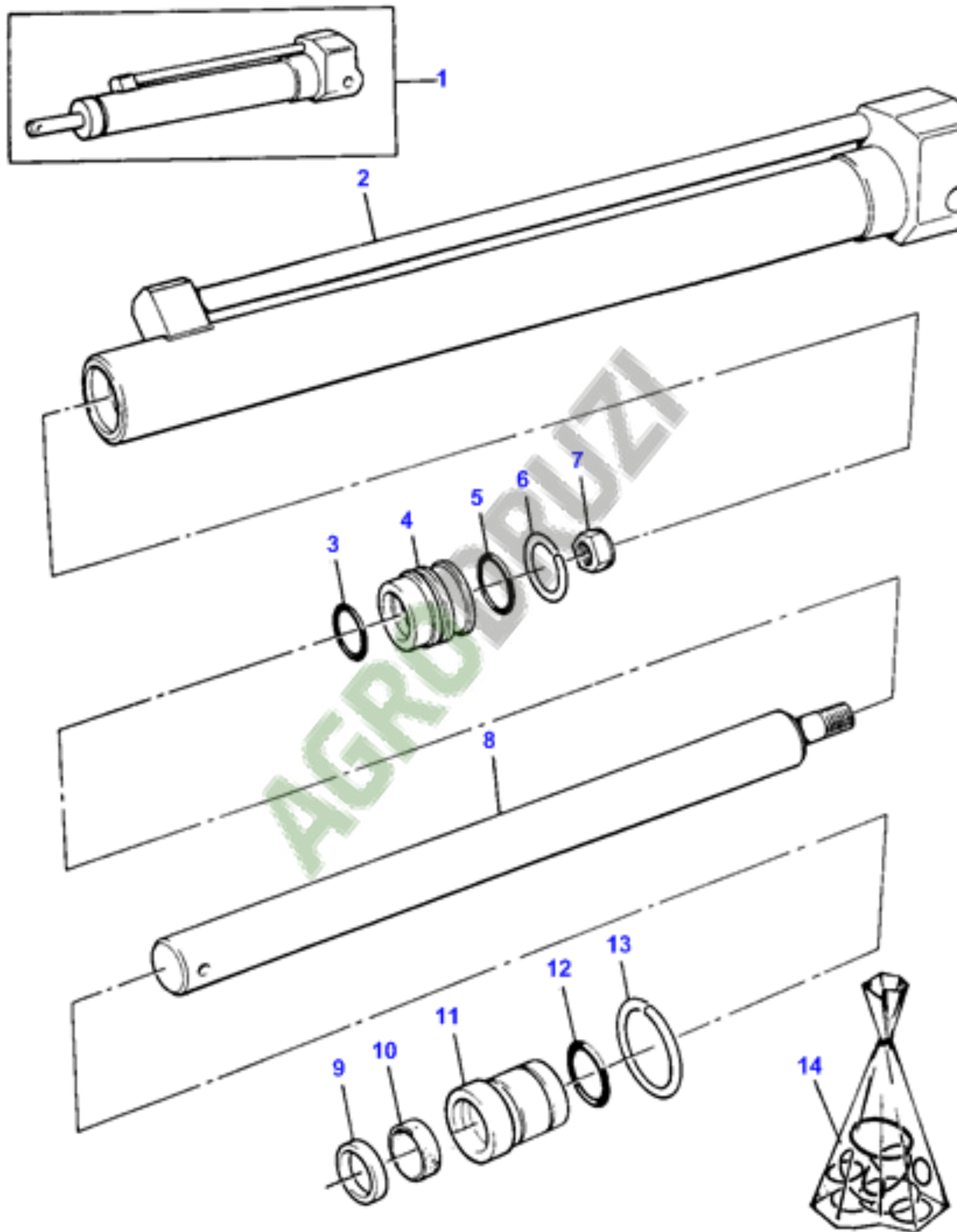


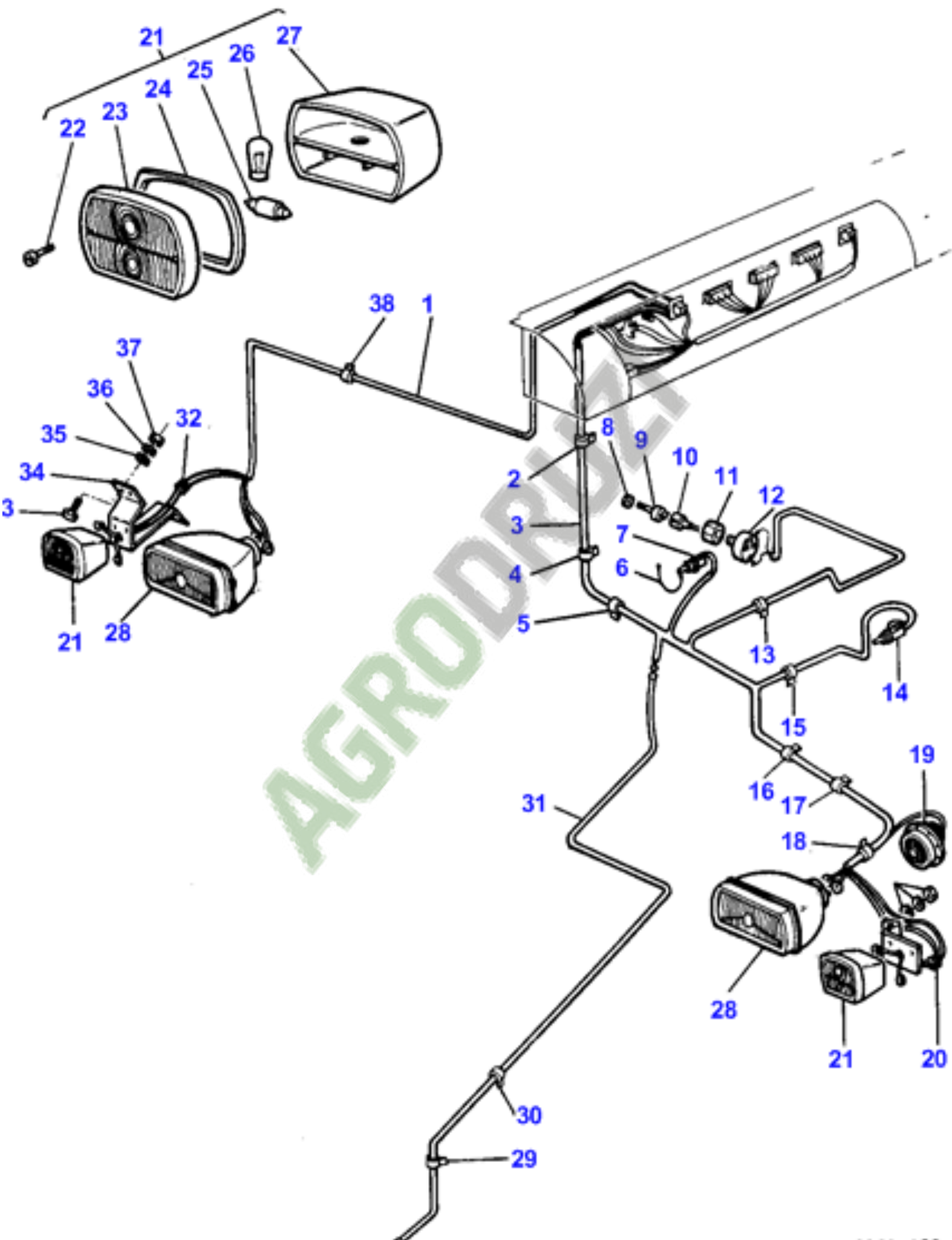
1-3140-007

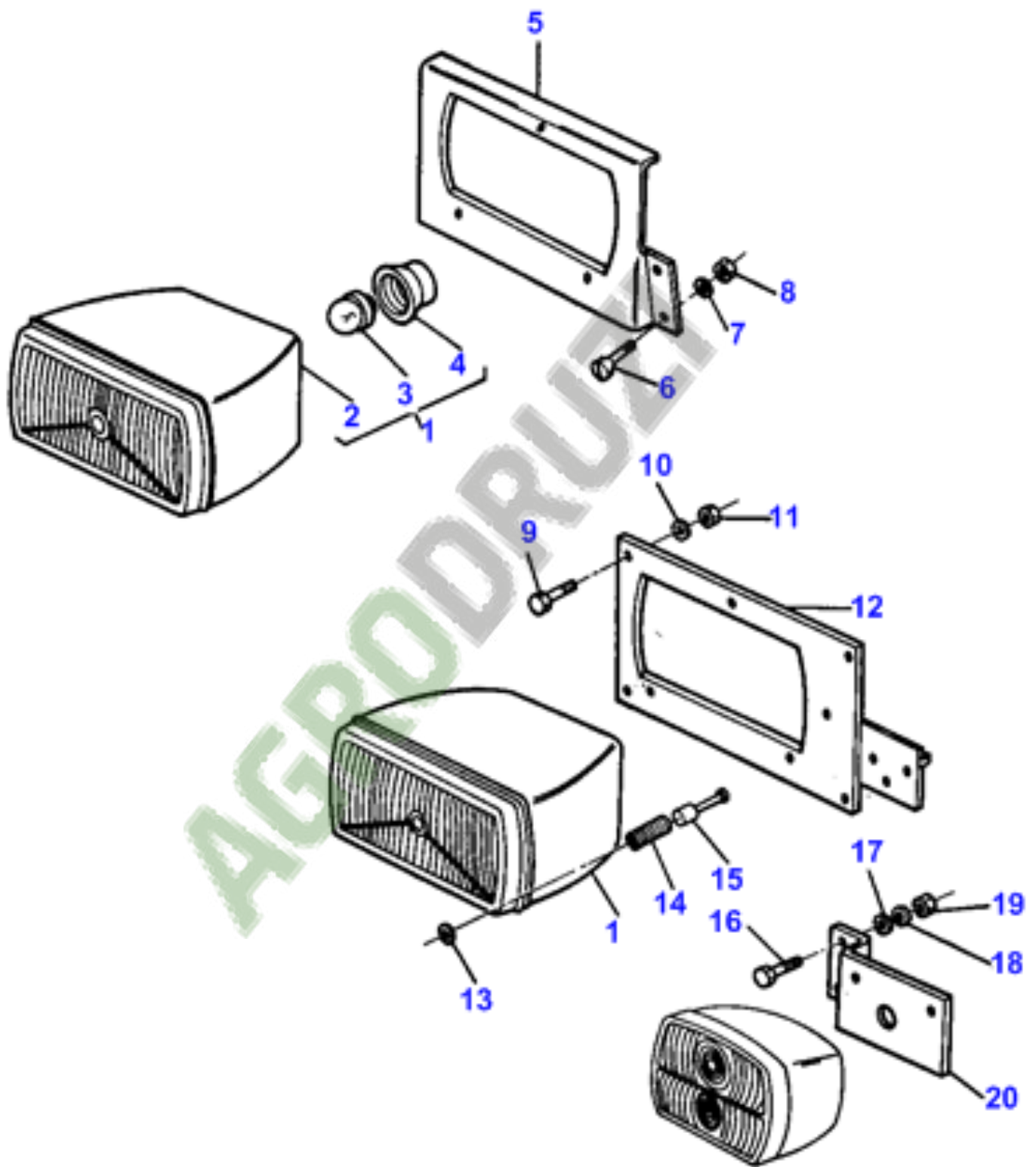


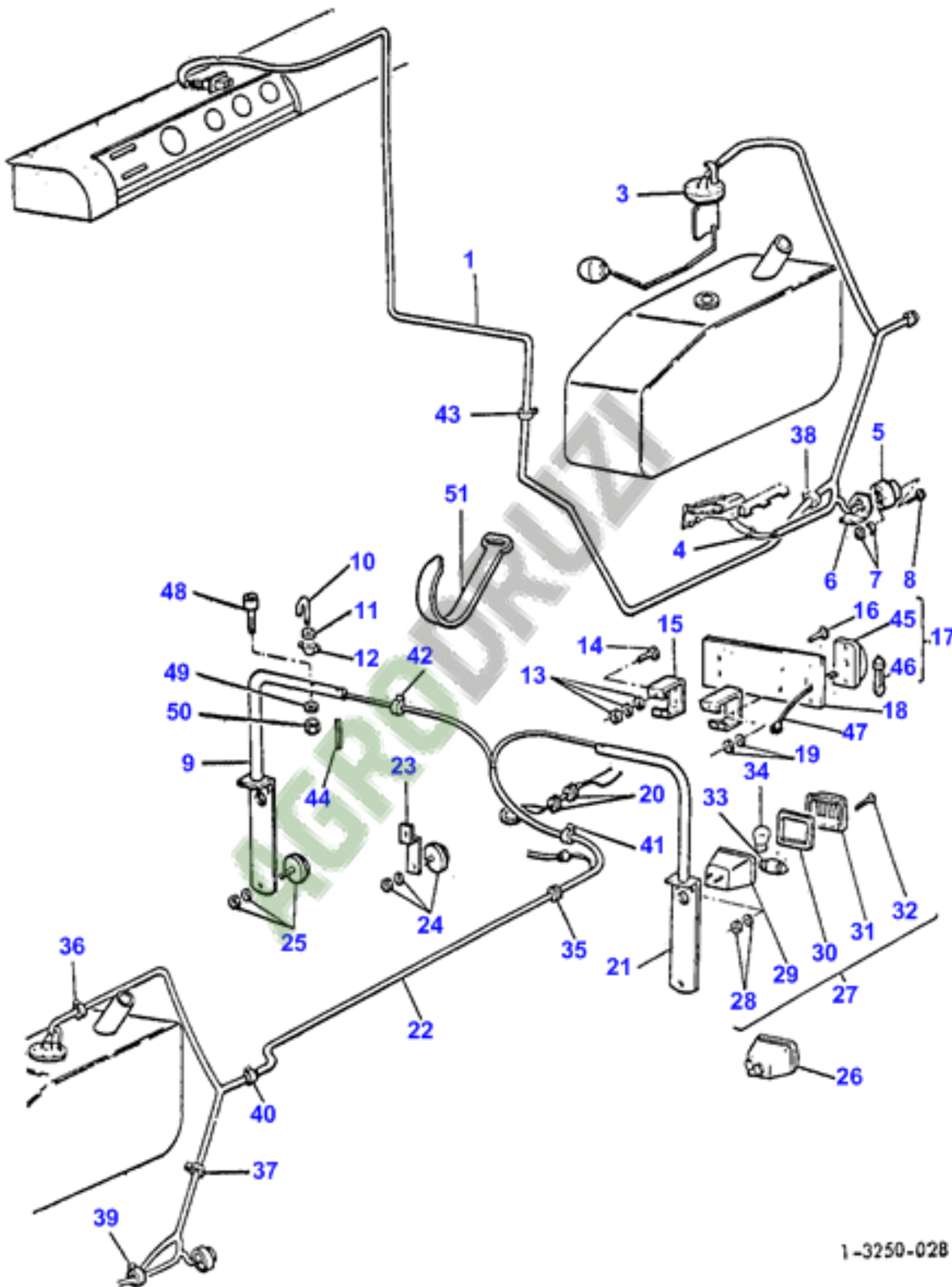












1-3250-028

