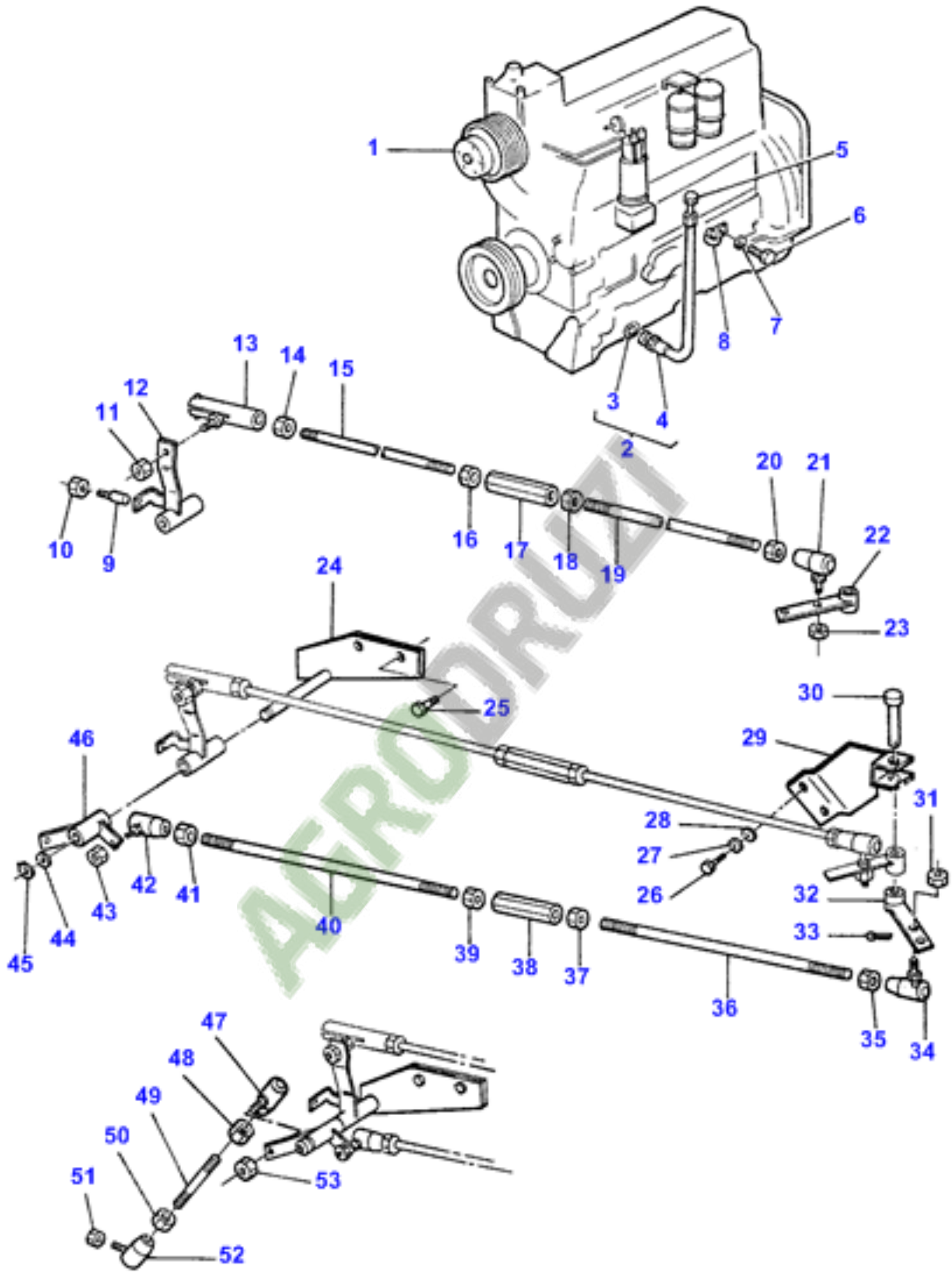




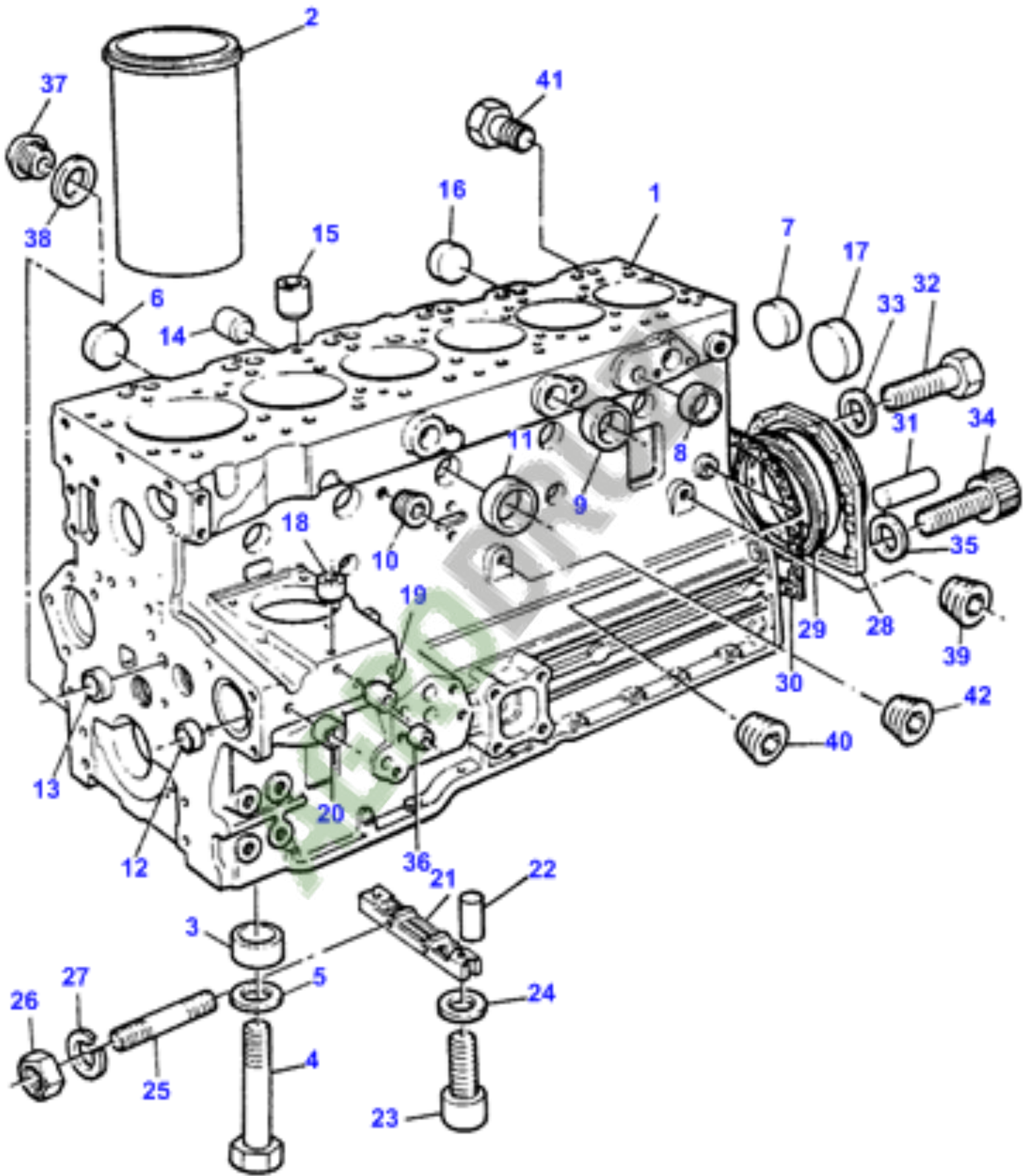
MASSEY FERGUSON

820, 825

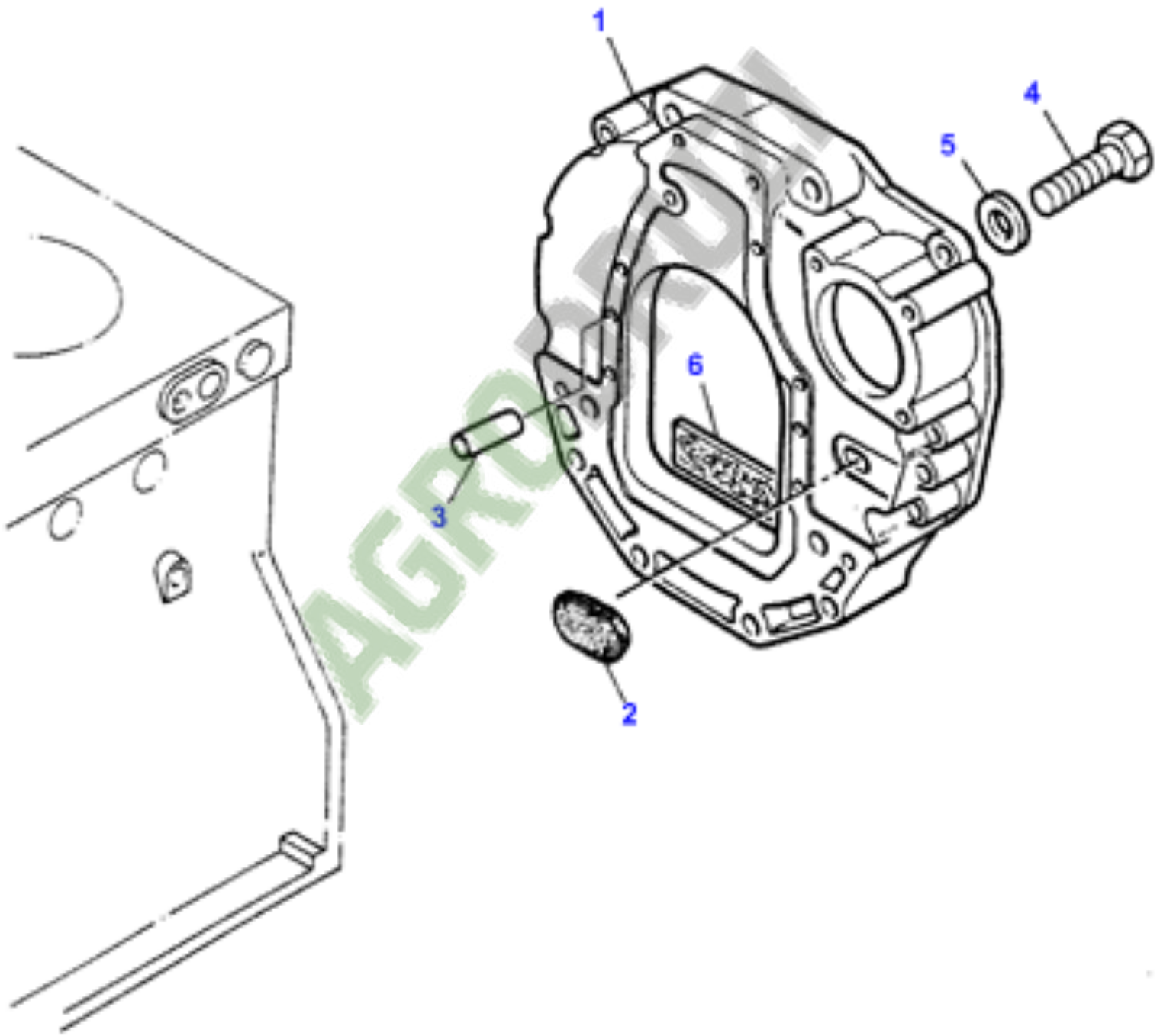


1-0010-090

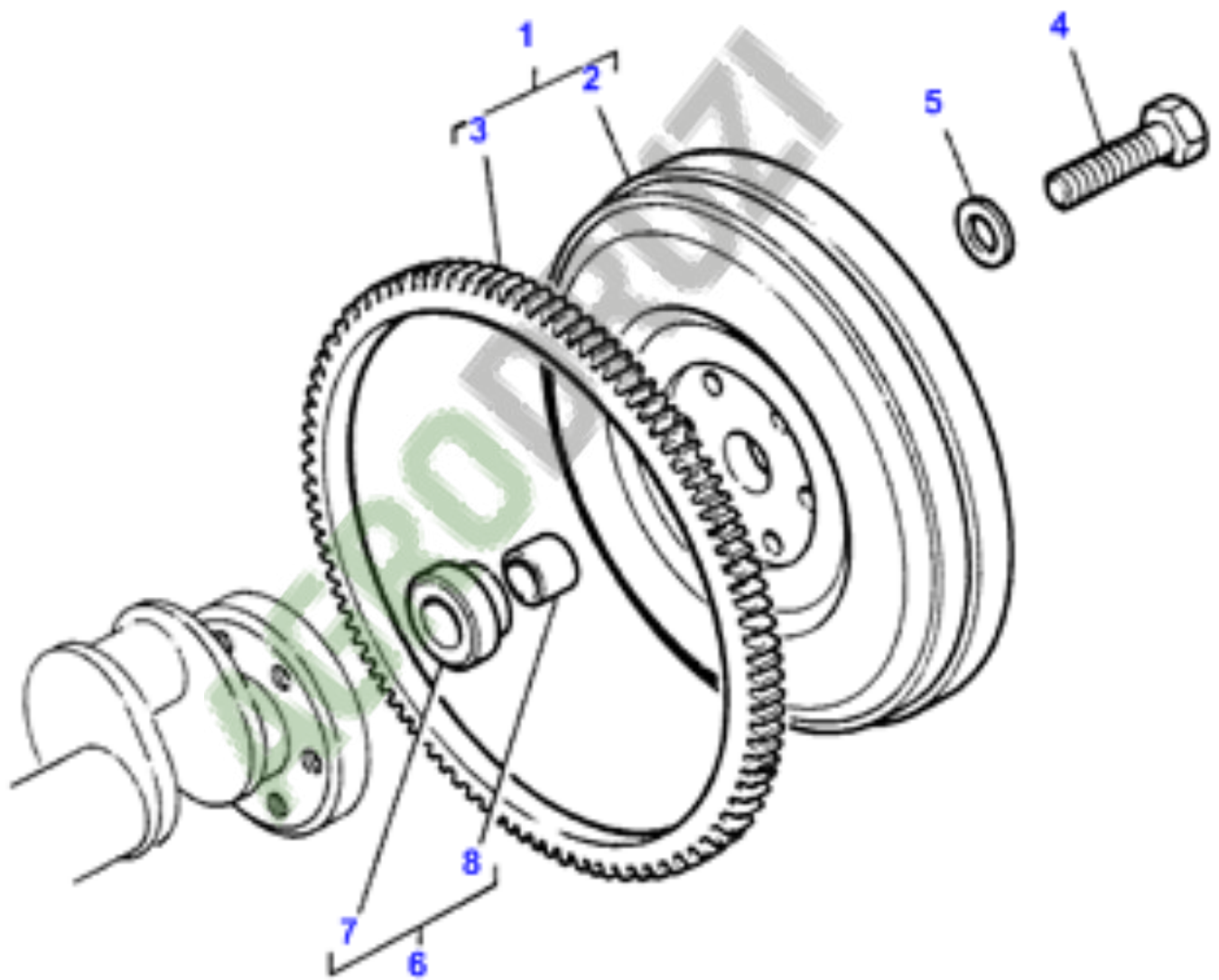
T-0560-05M-A

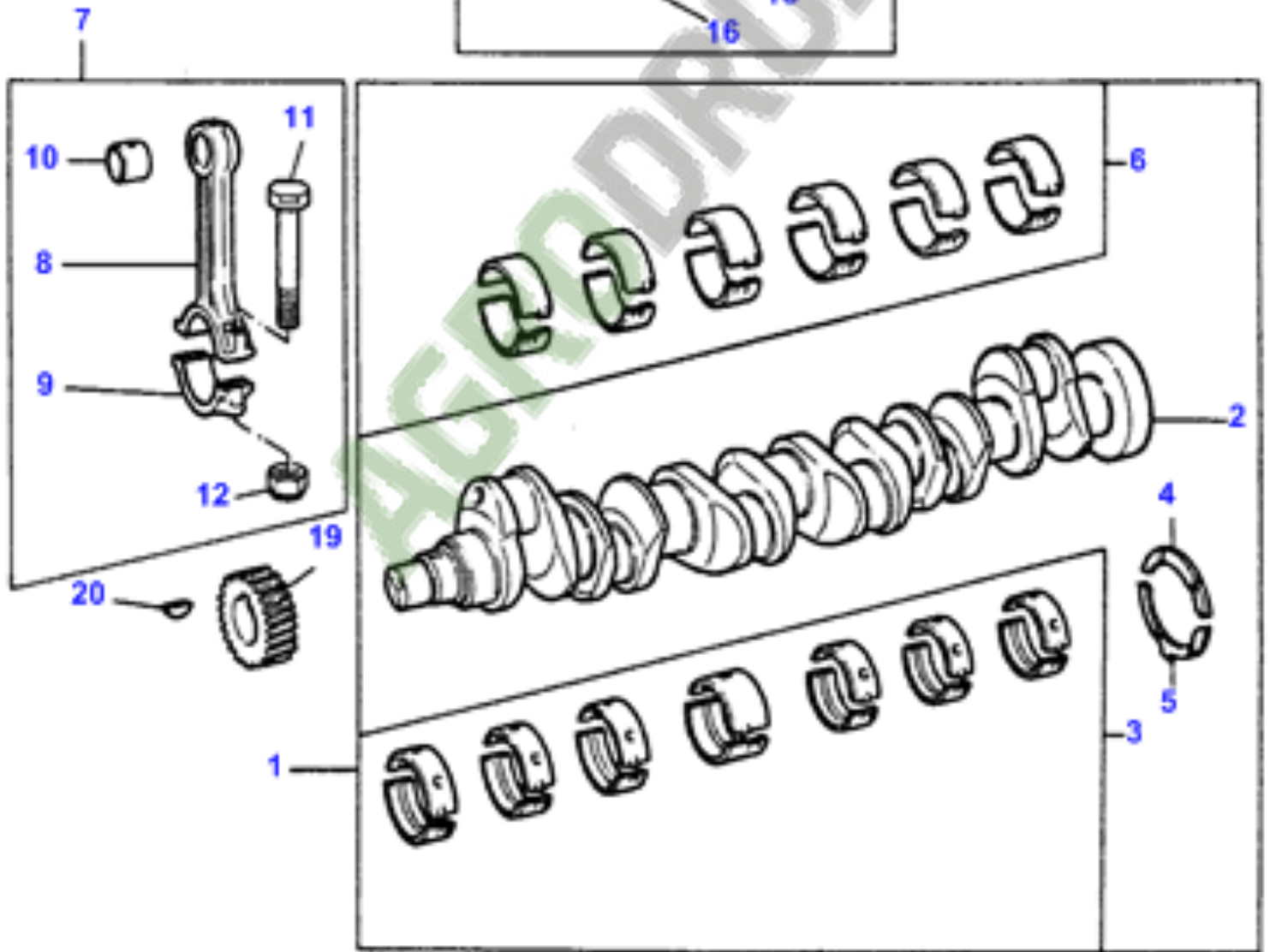
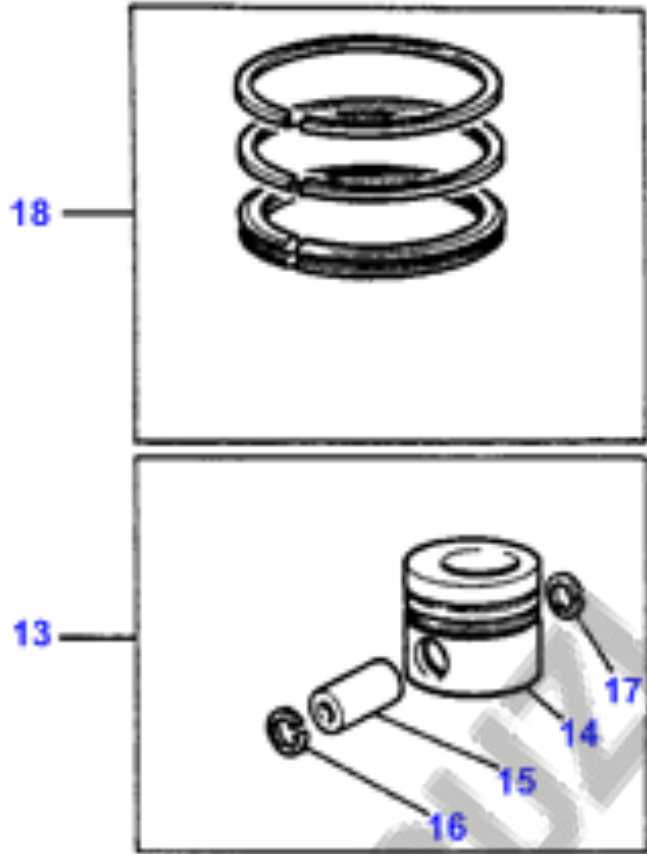


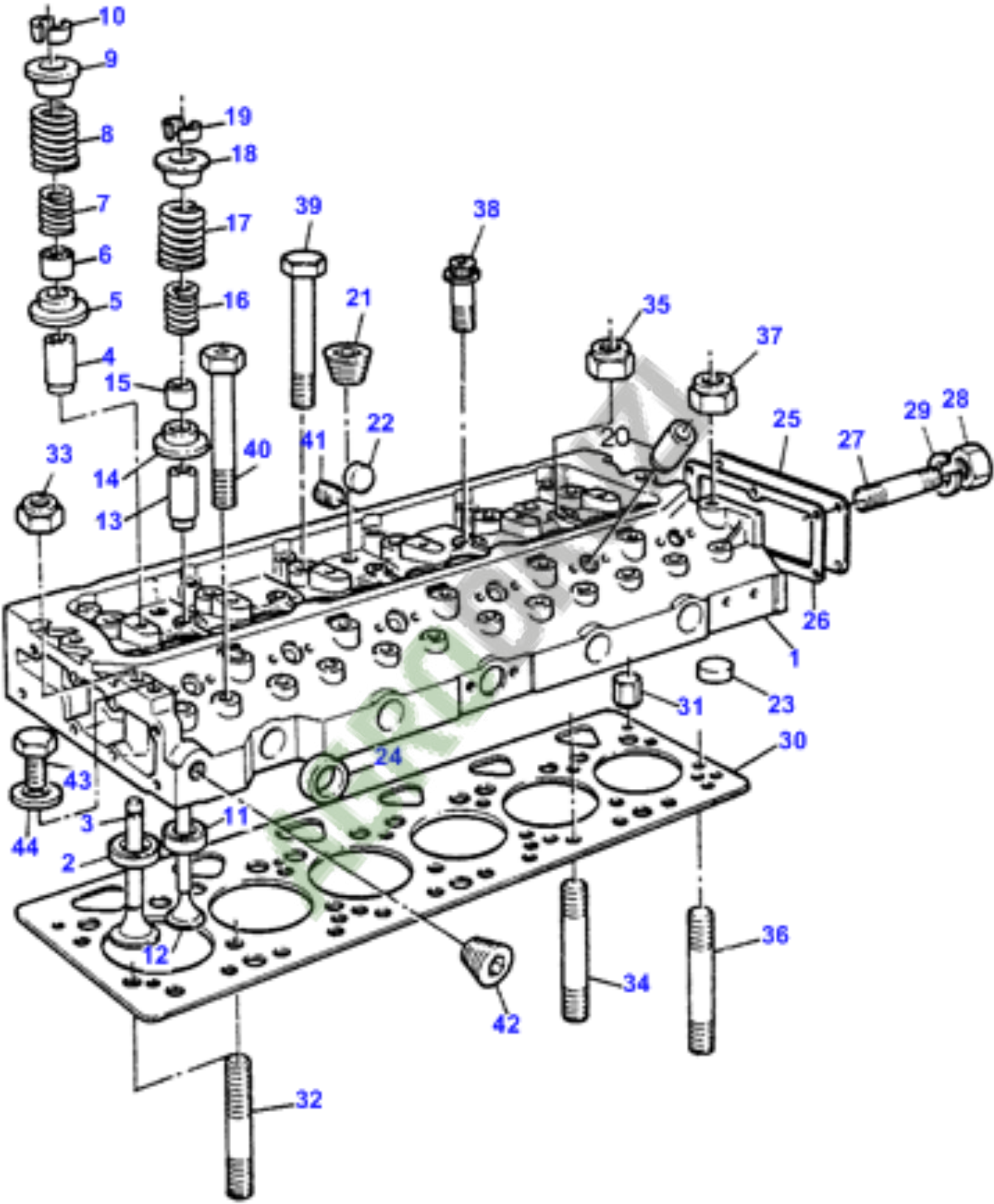
T-0596-05M-A



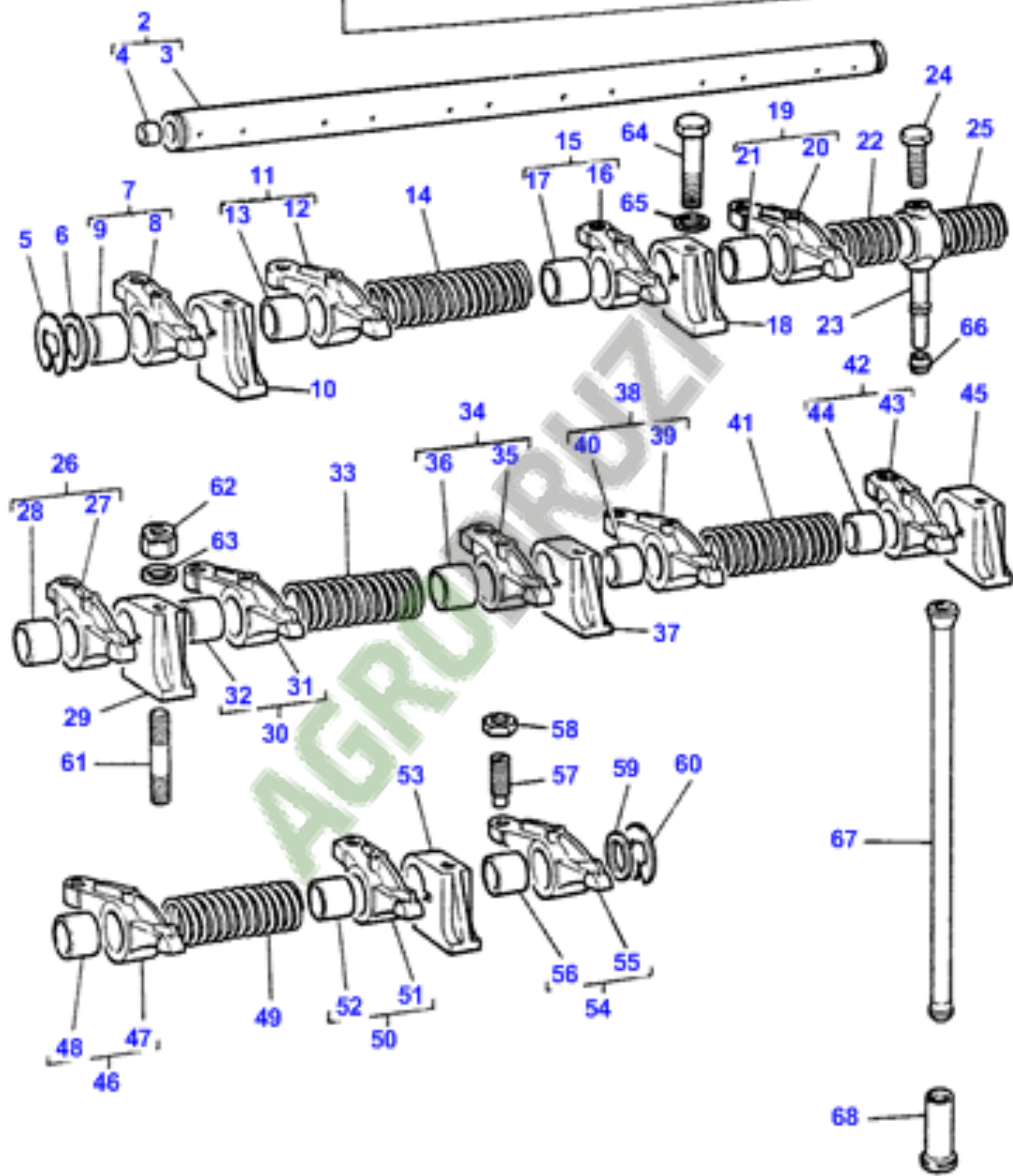
T-0600-03M-A



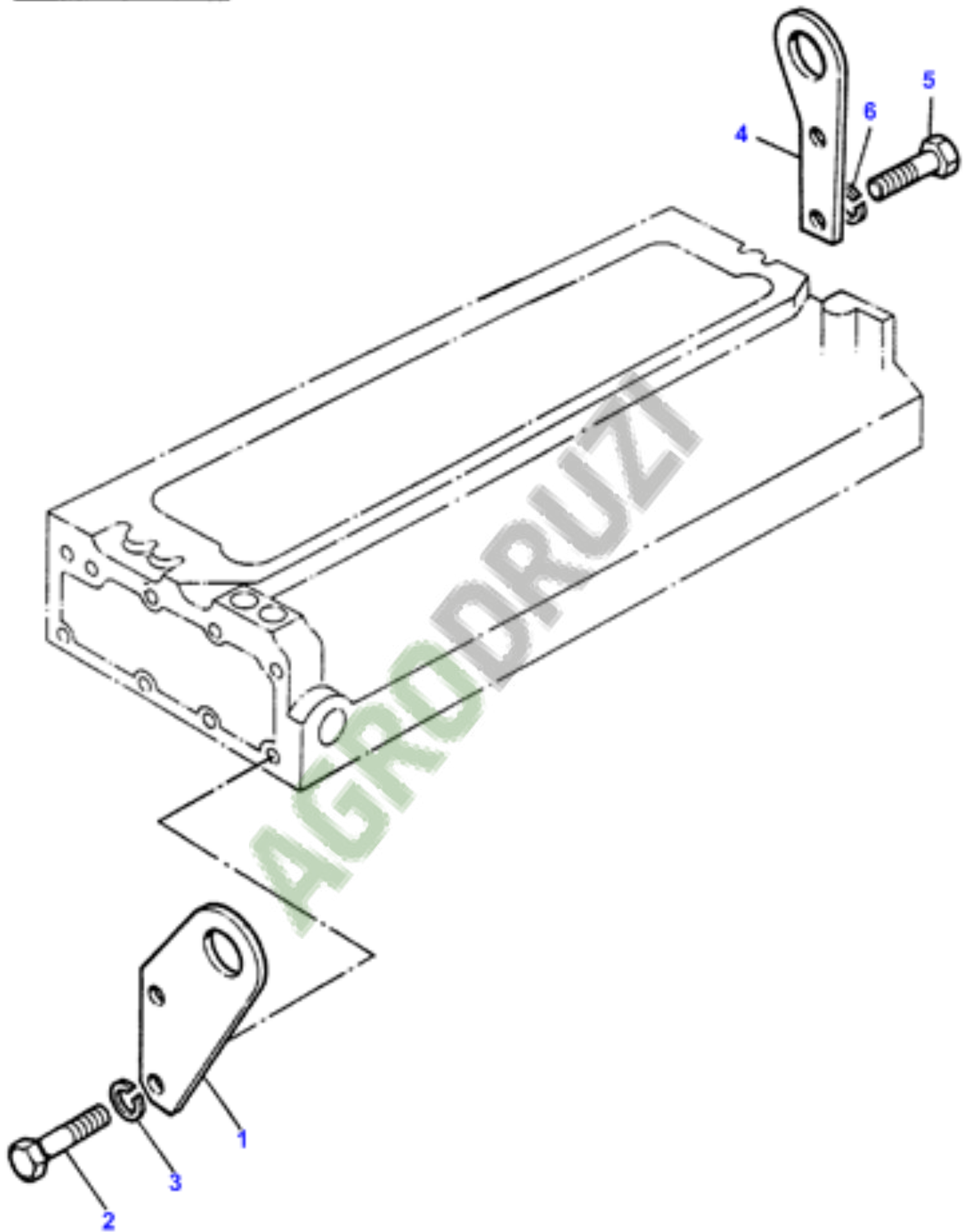




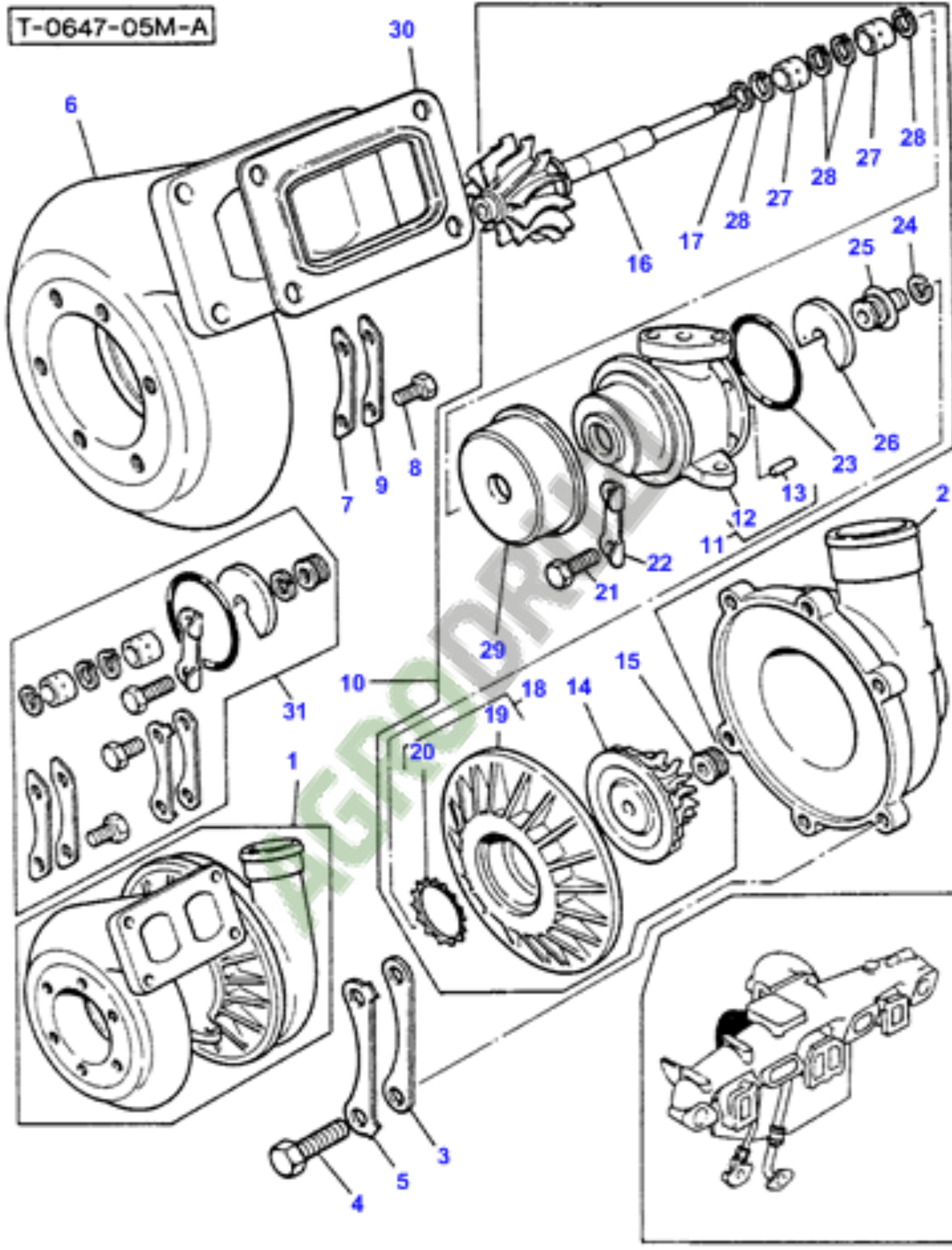
T-0569-02M- A



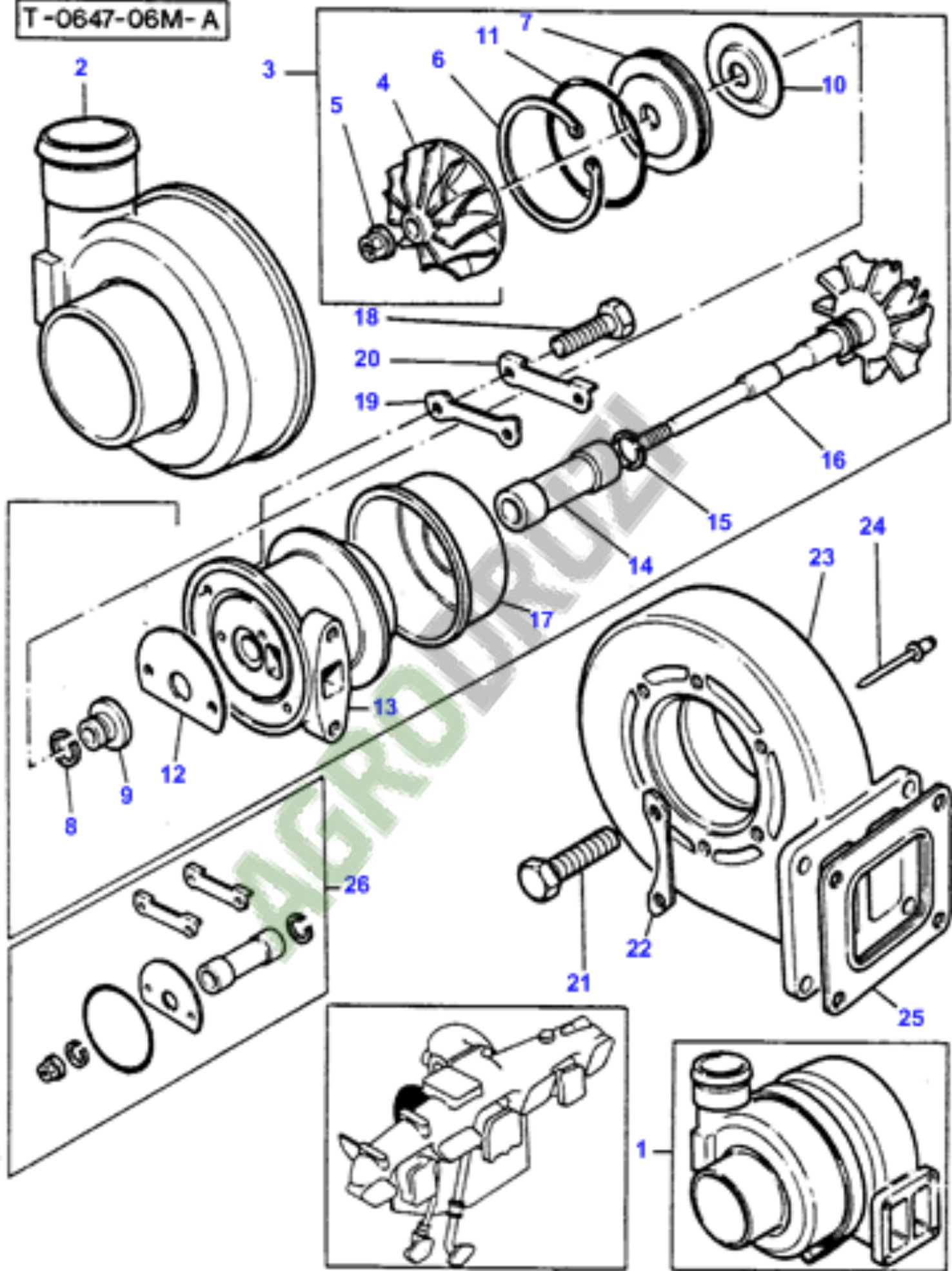
T-0678-05M-A



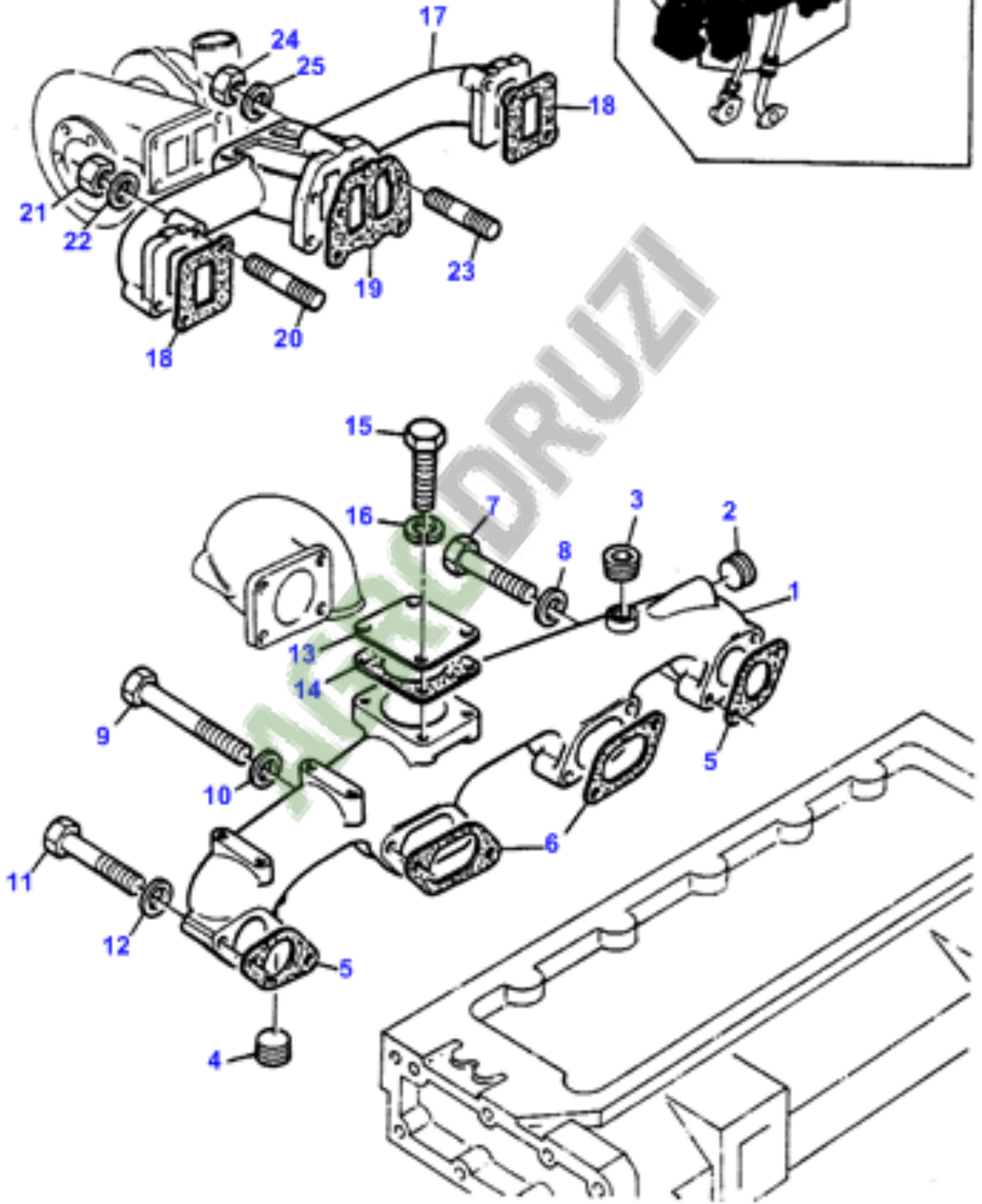
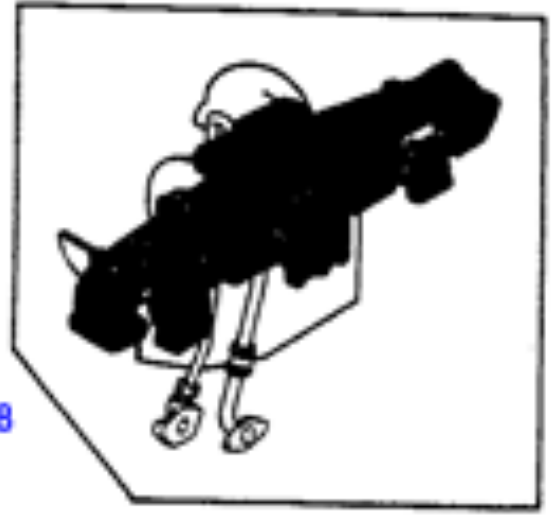
T-0647-05M-A



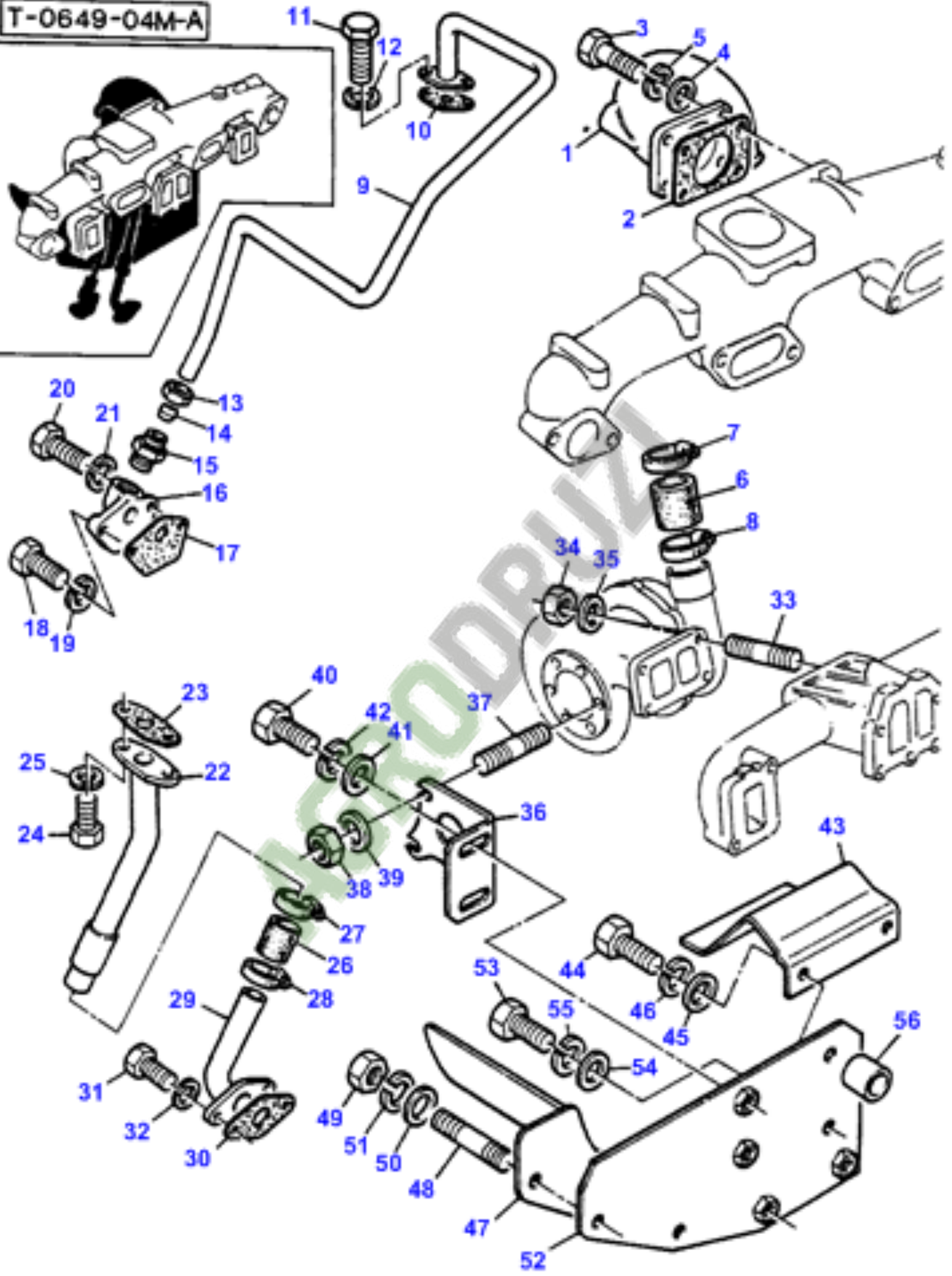
T-0647-06M-A



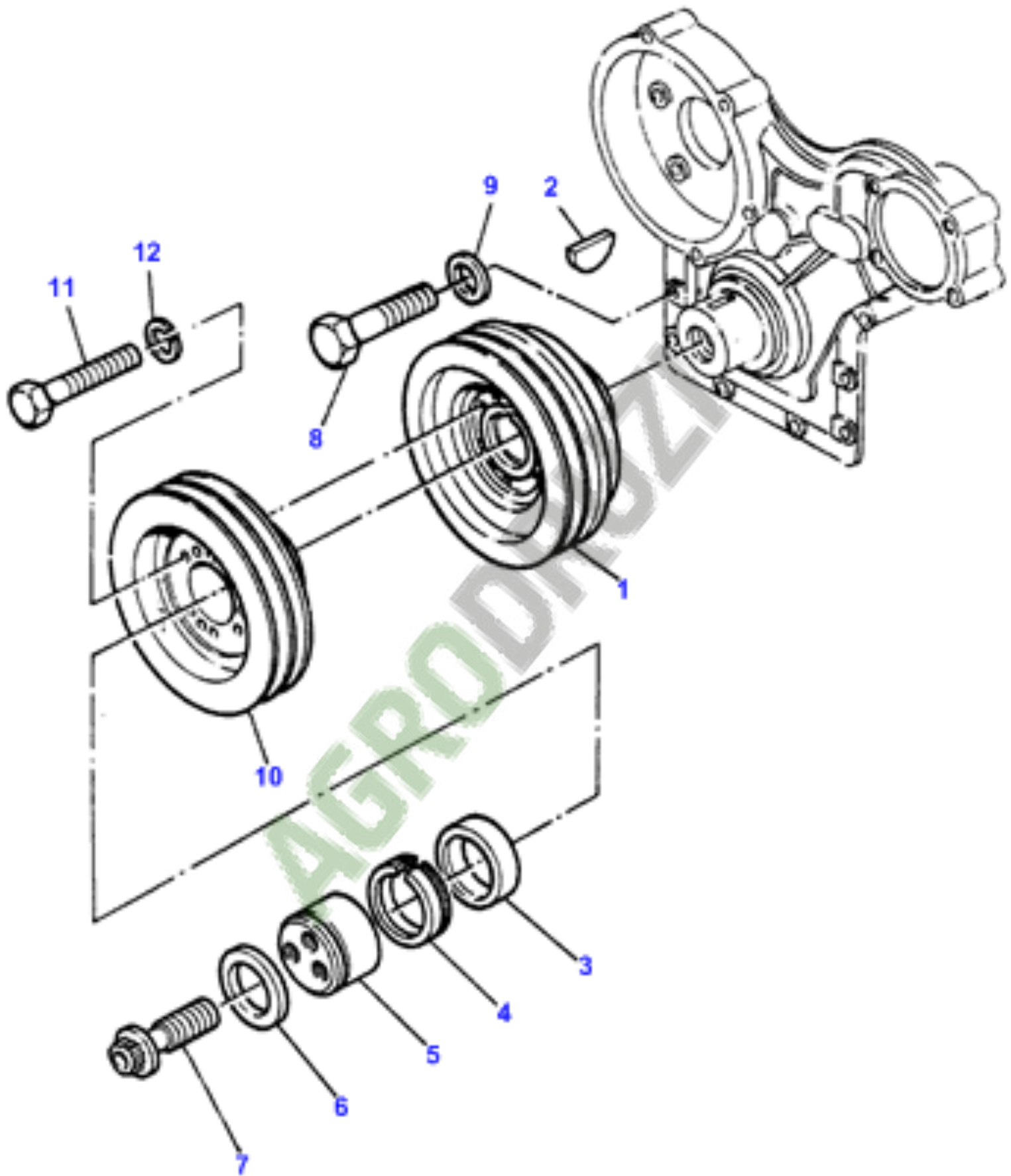
T-0648-04M-A



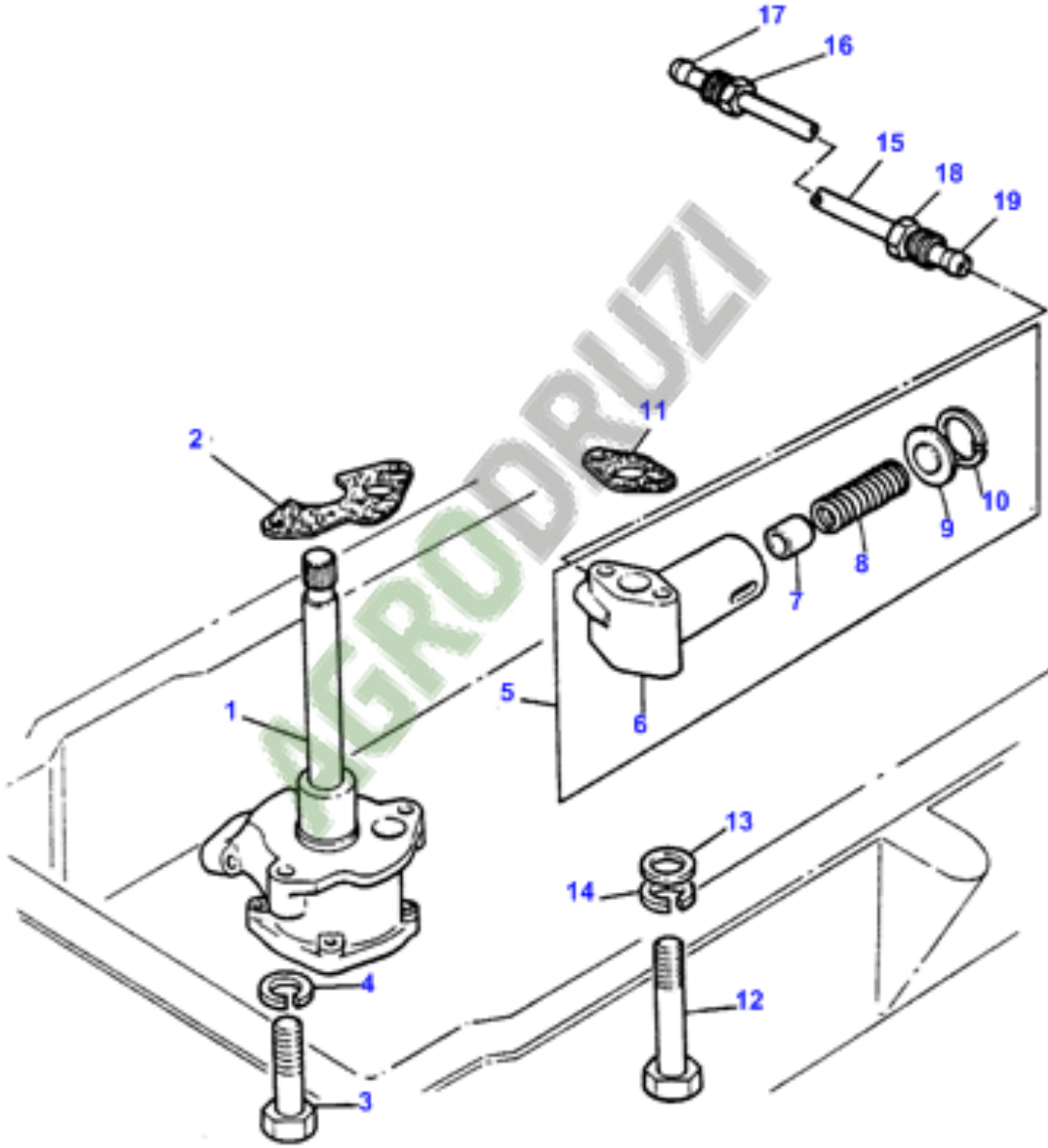
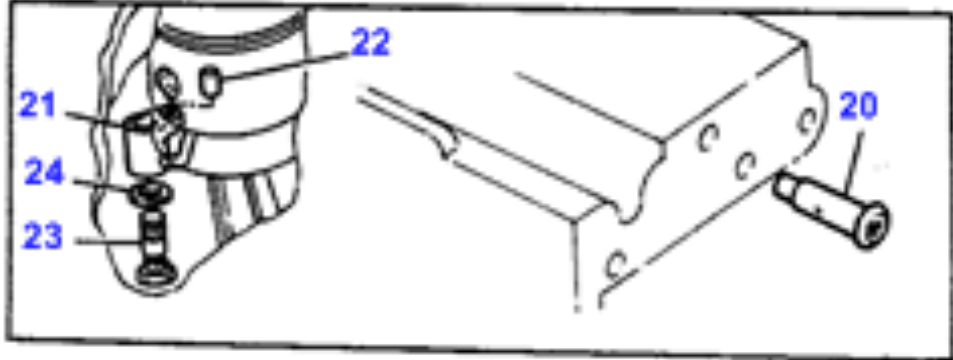
T-0649-04M-A

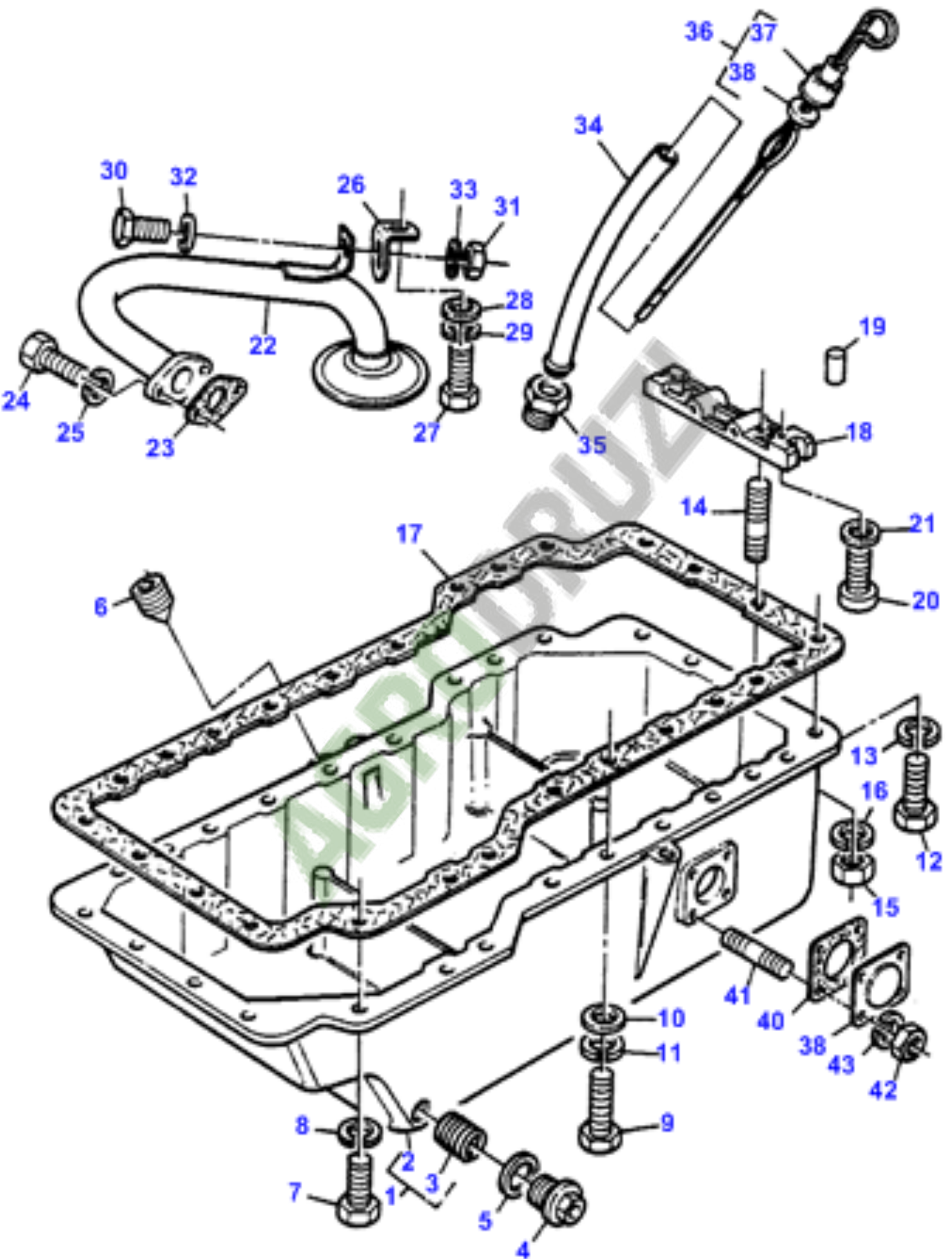


T-0625 -07M-A

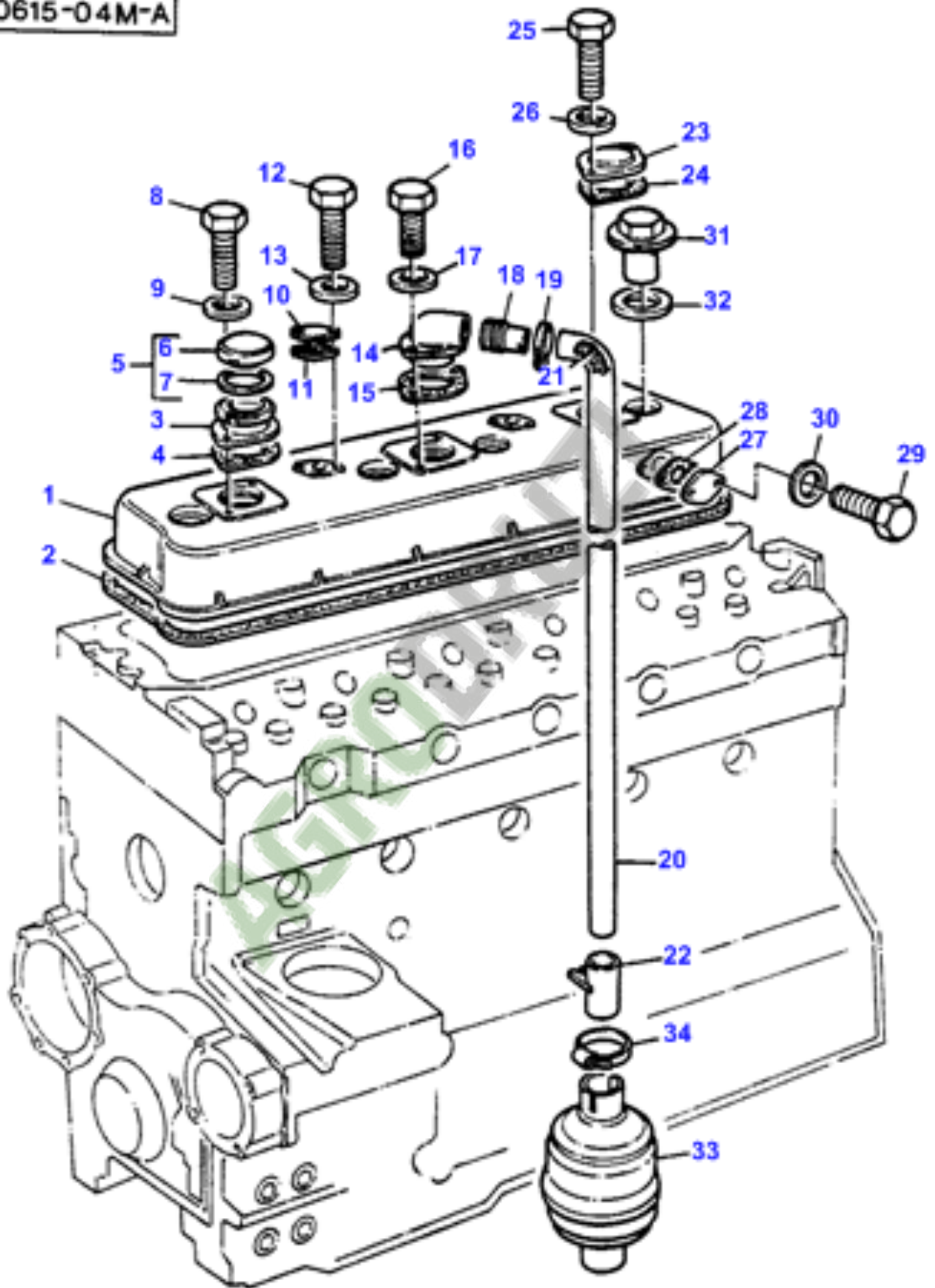


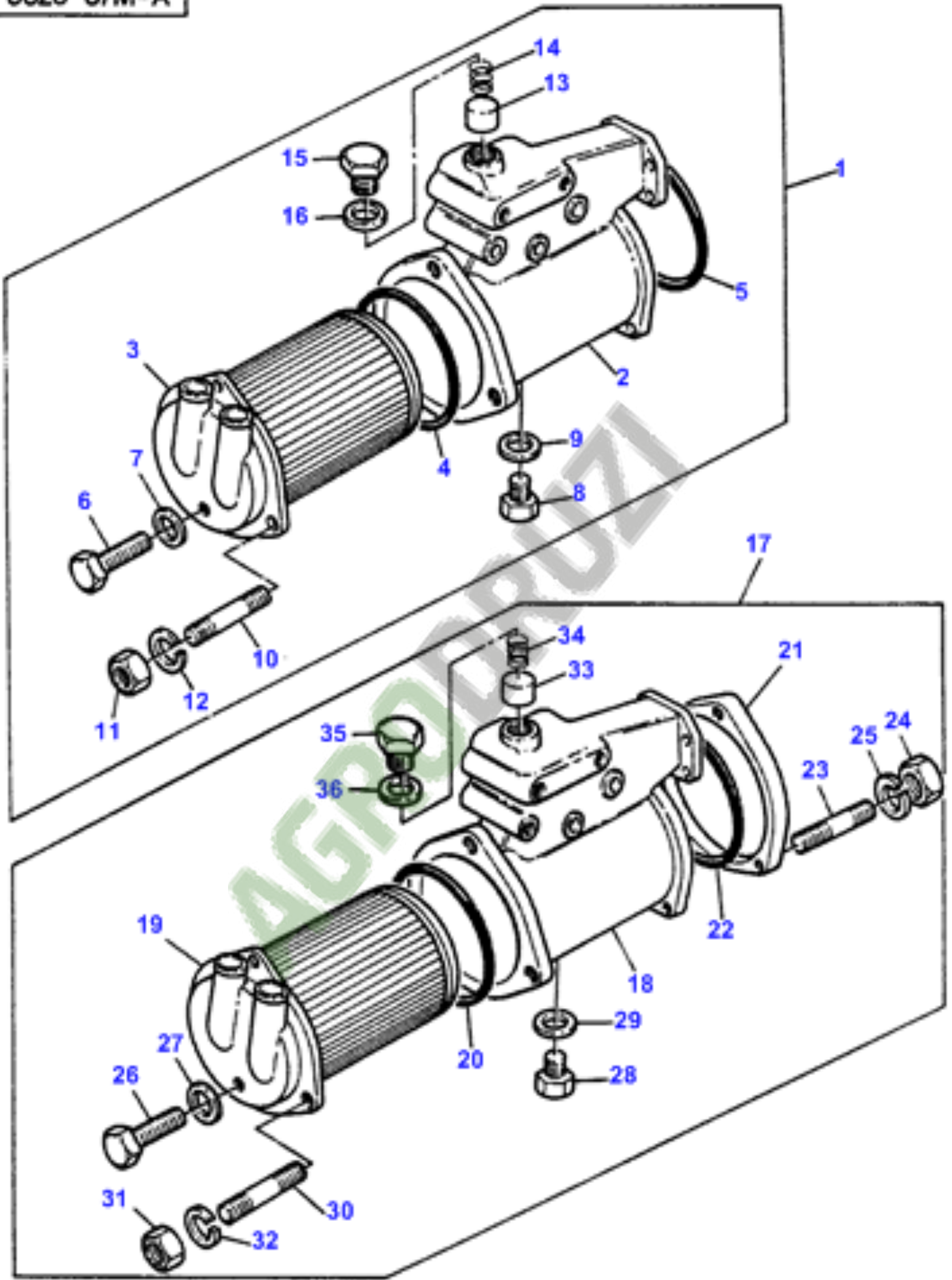
T-0581-05M-A



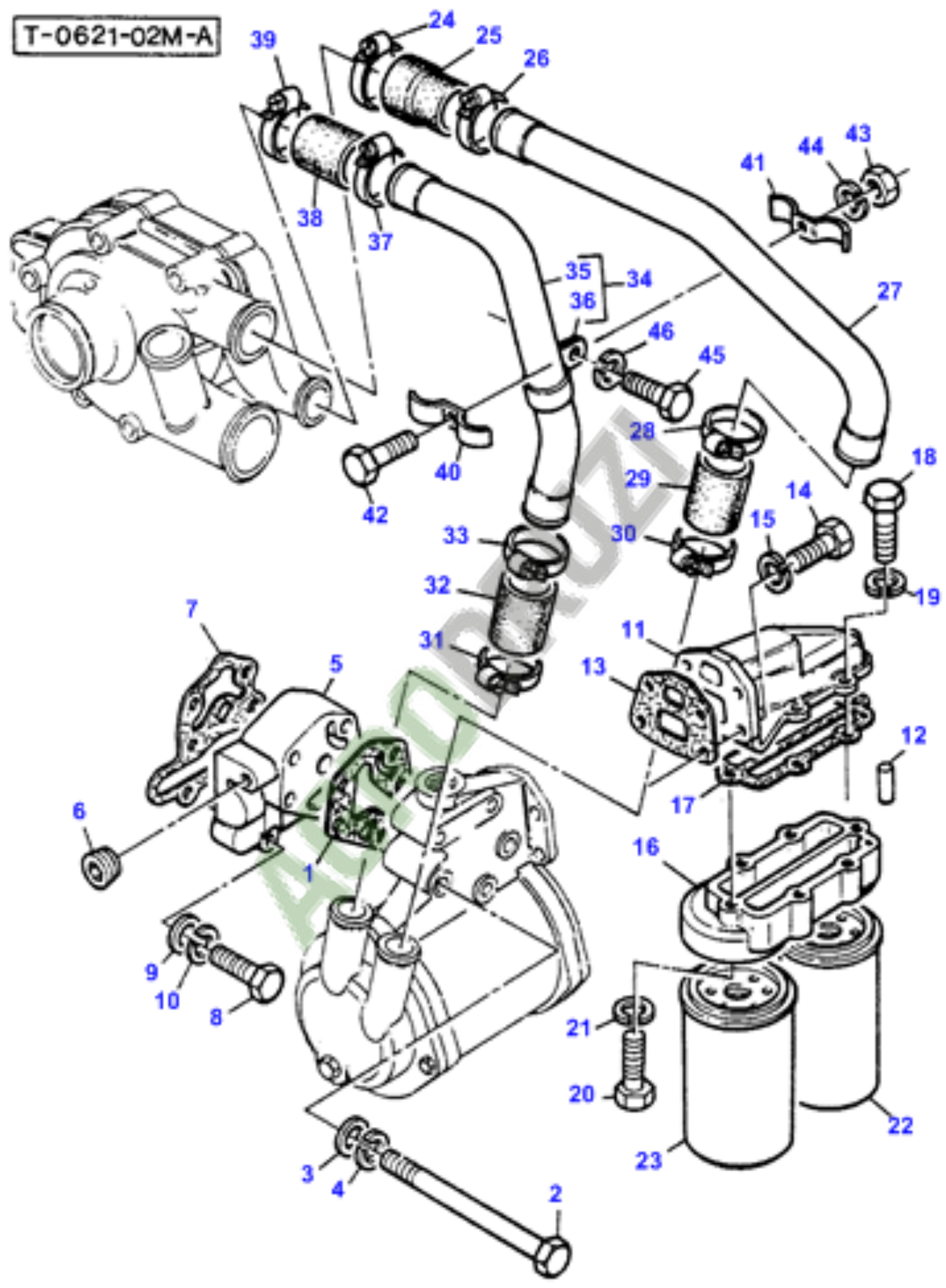


T-0615-04M-A

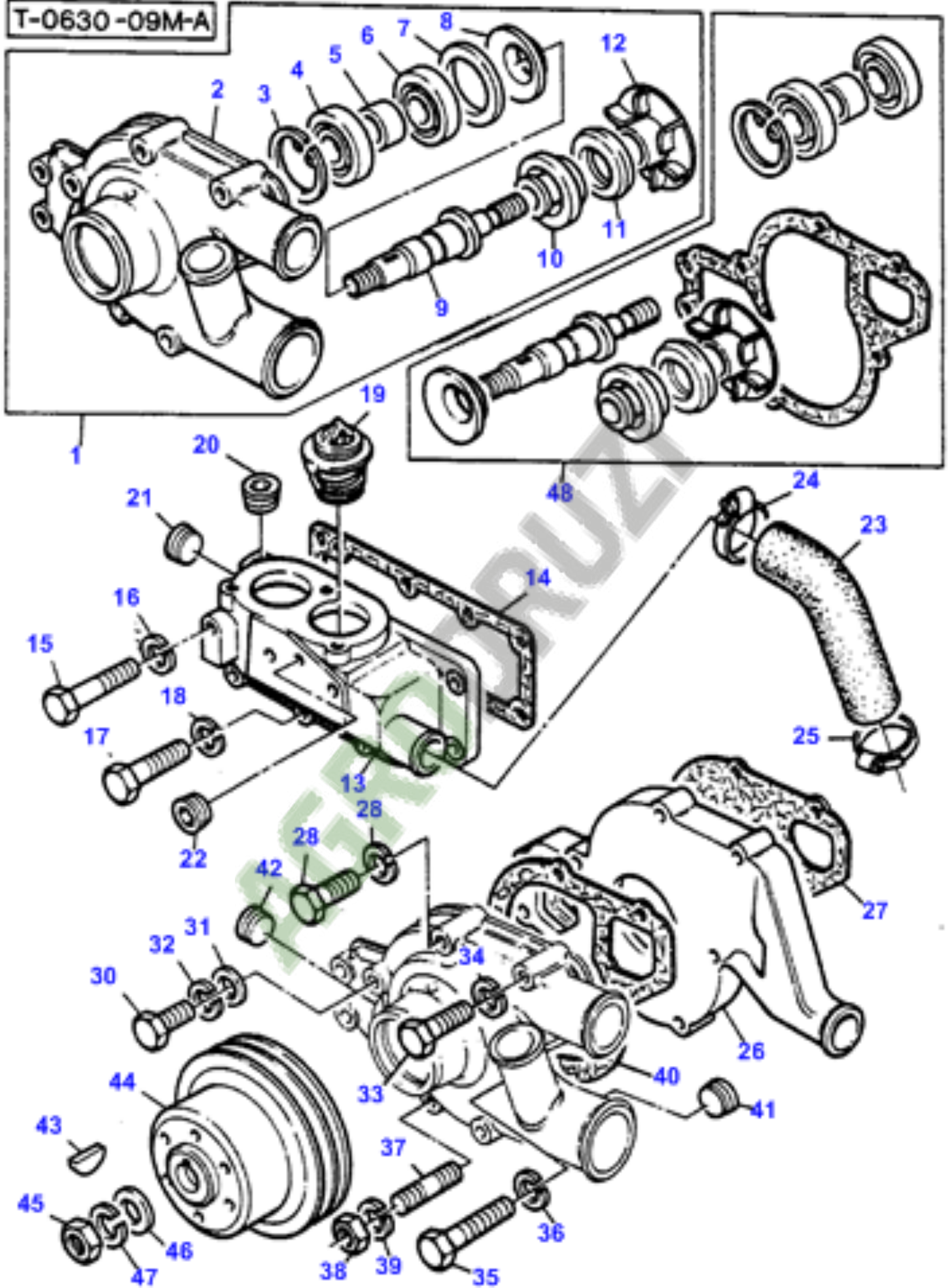




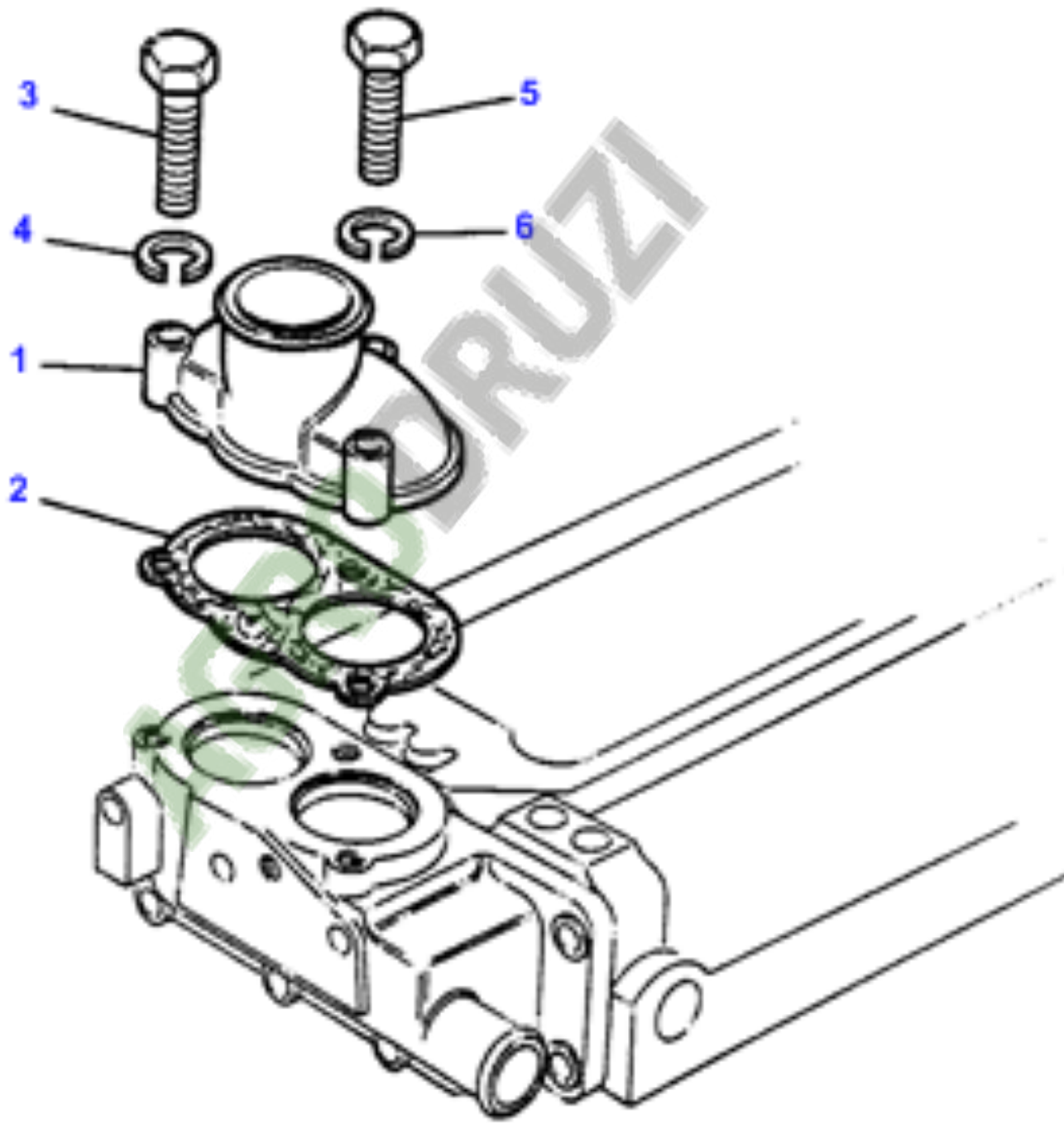
T-0621-02M-A

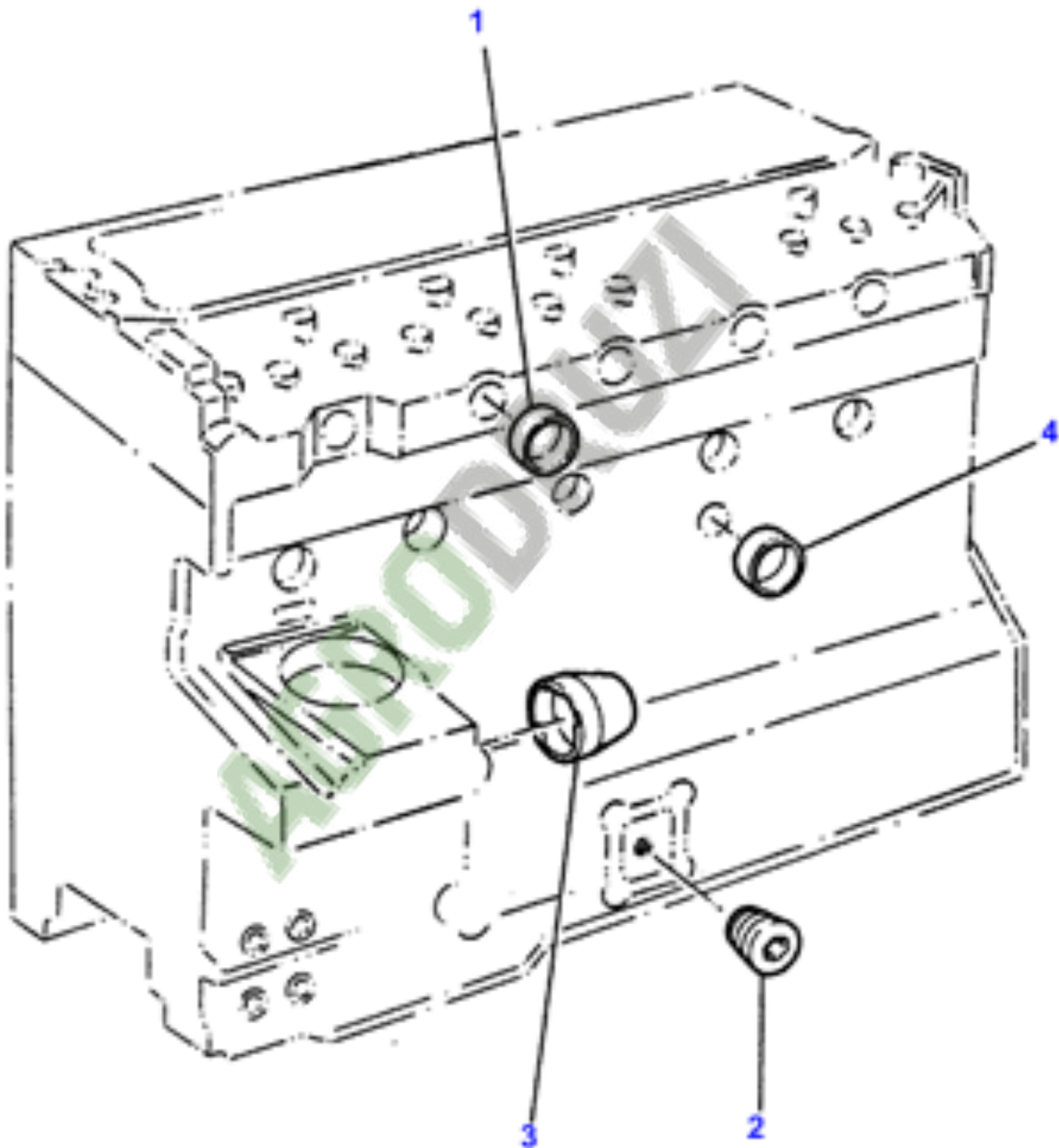


T-0630-09M-A

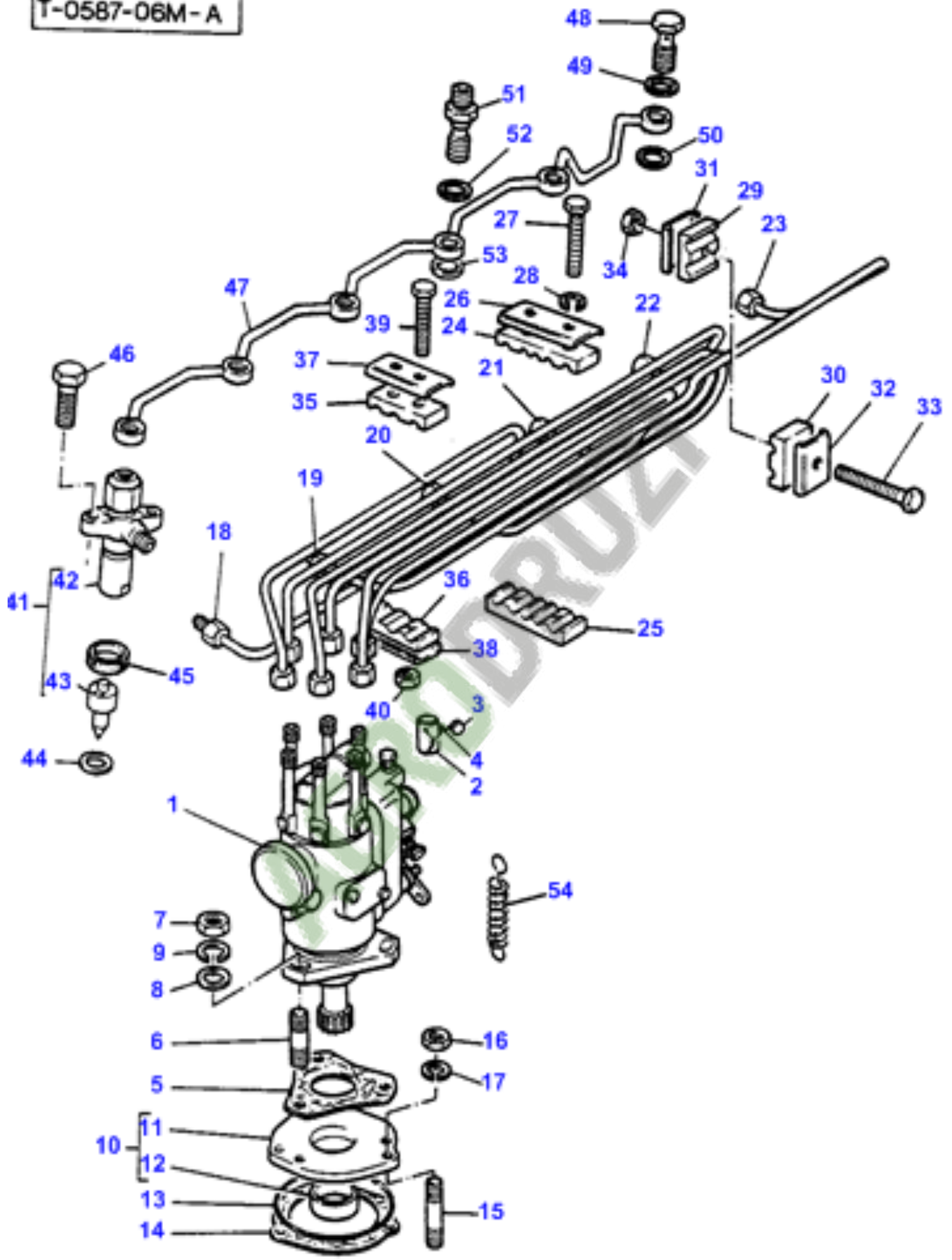


T-0634-04M-A

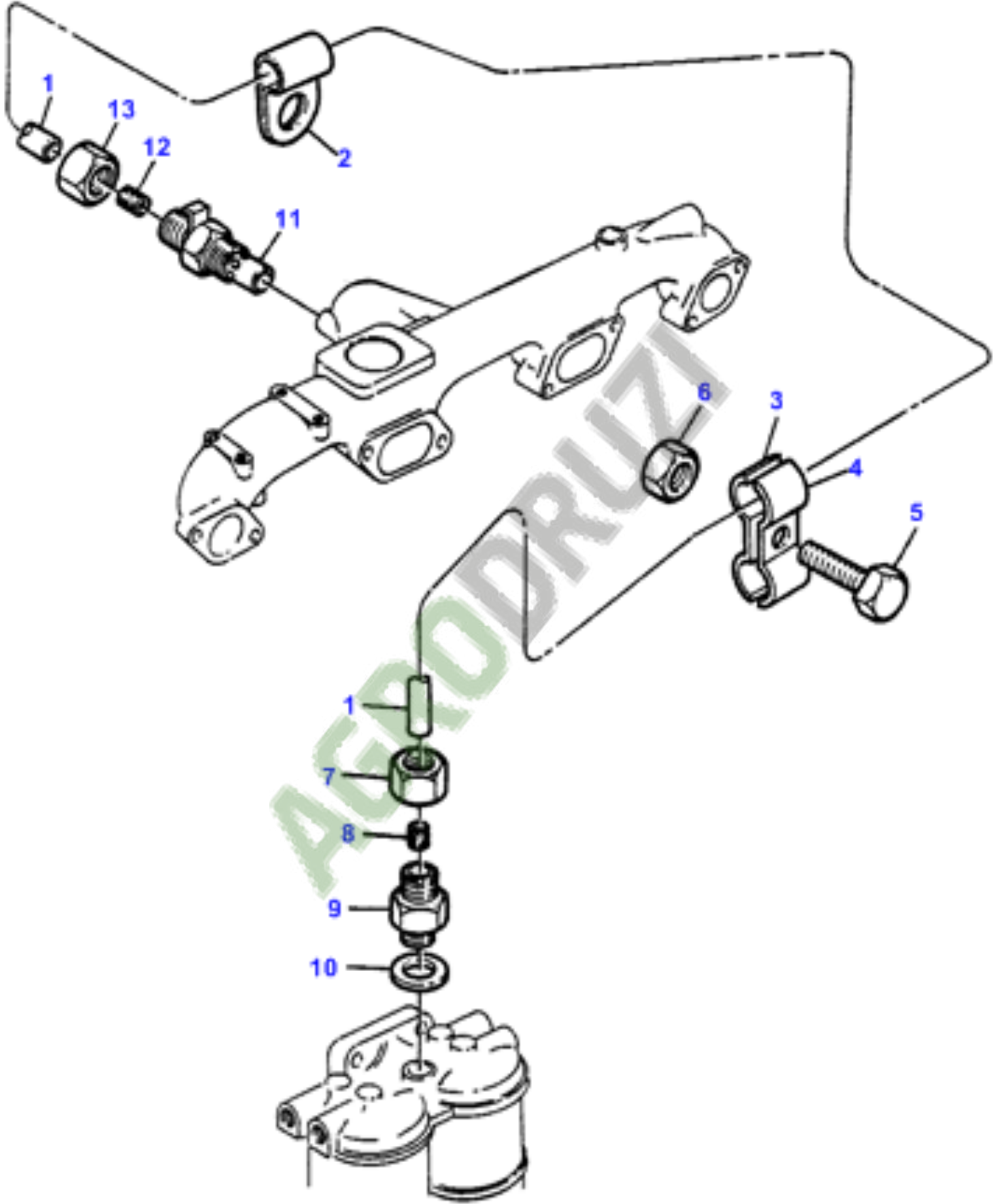


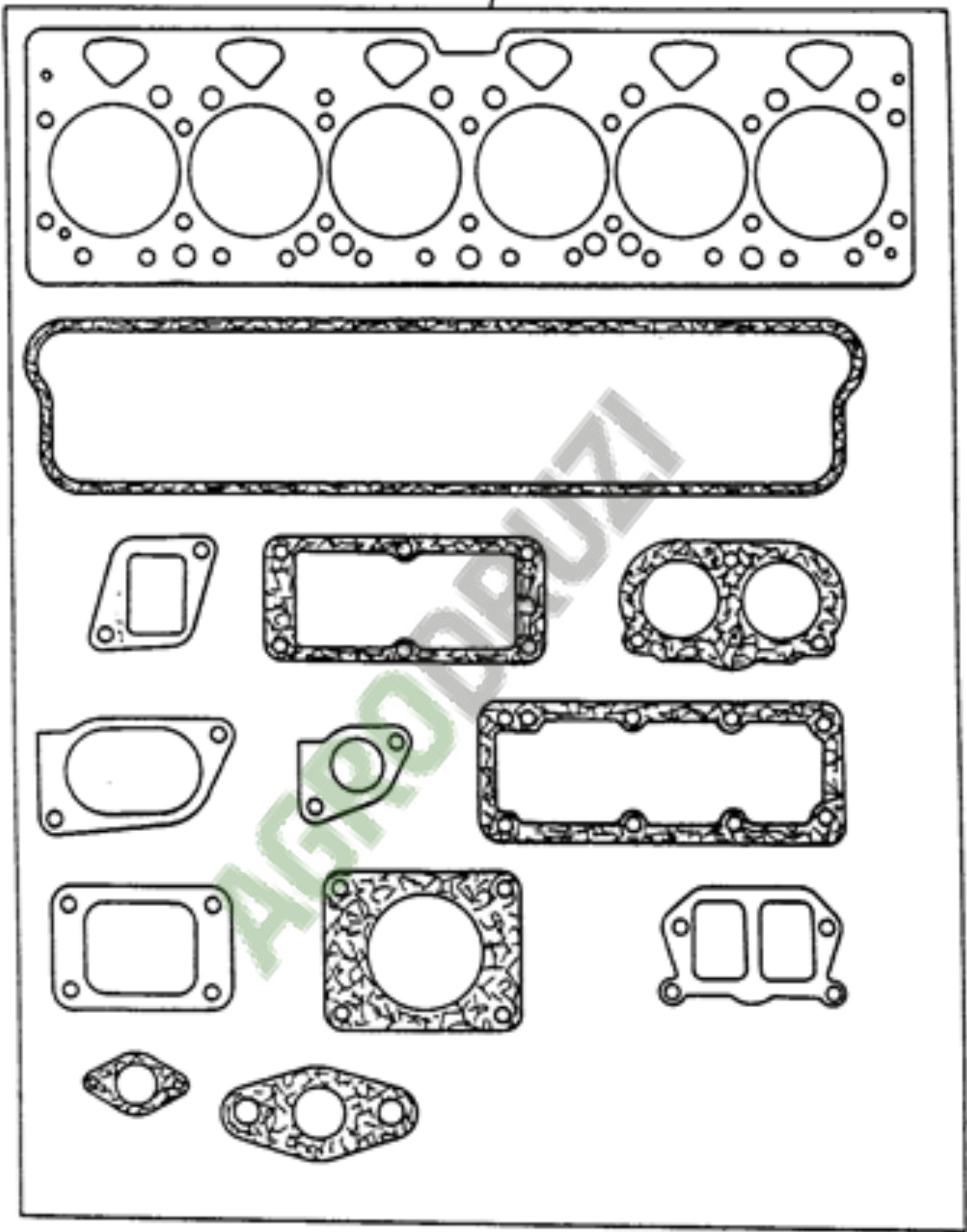


T-0587-06M-A



T-0675-03M-A

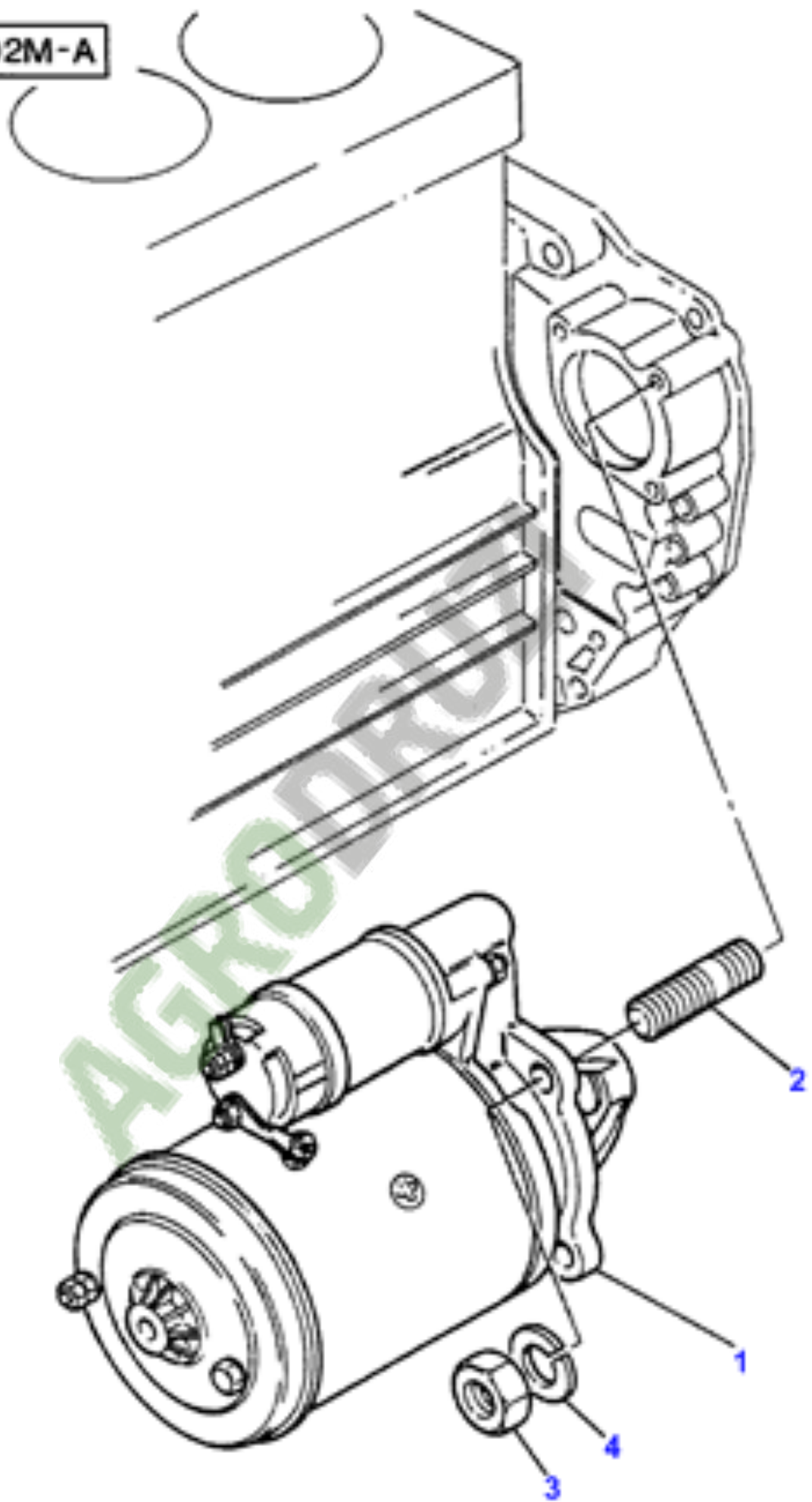


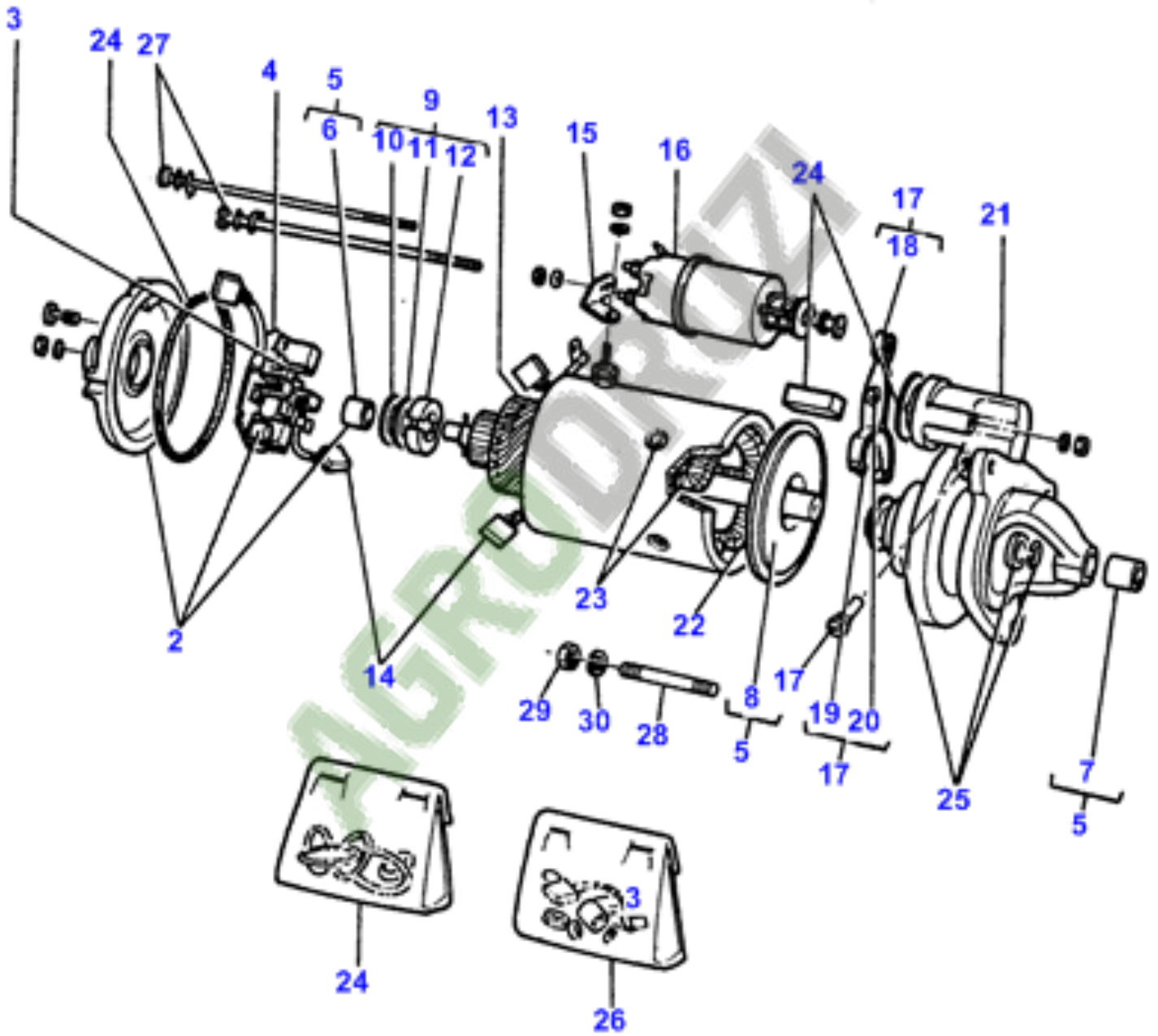
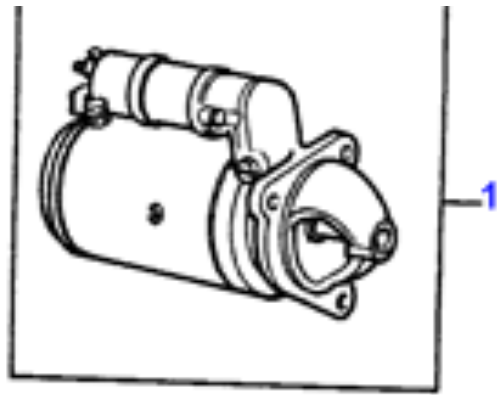


T-0690-04M-A



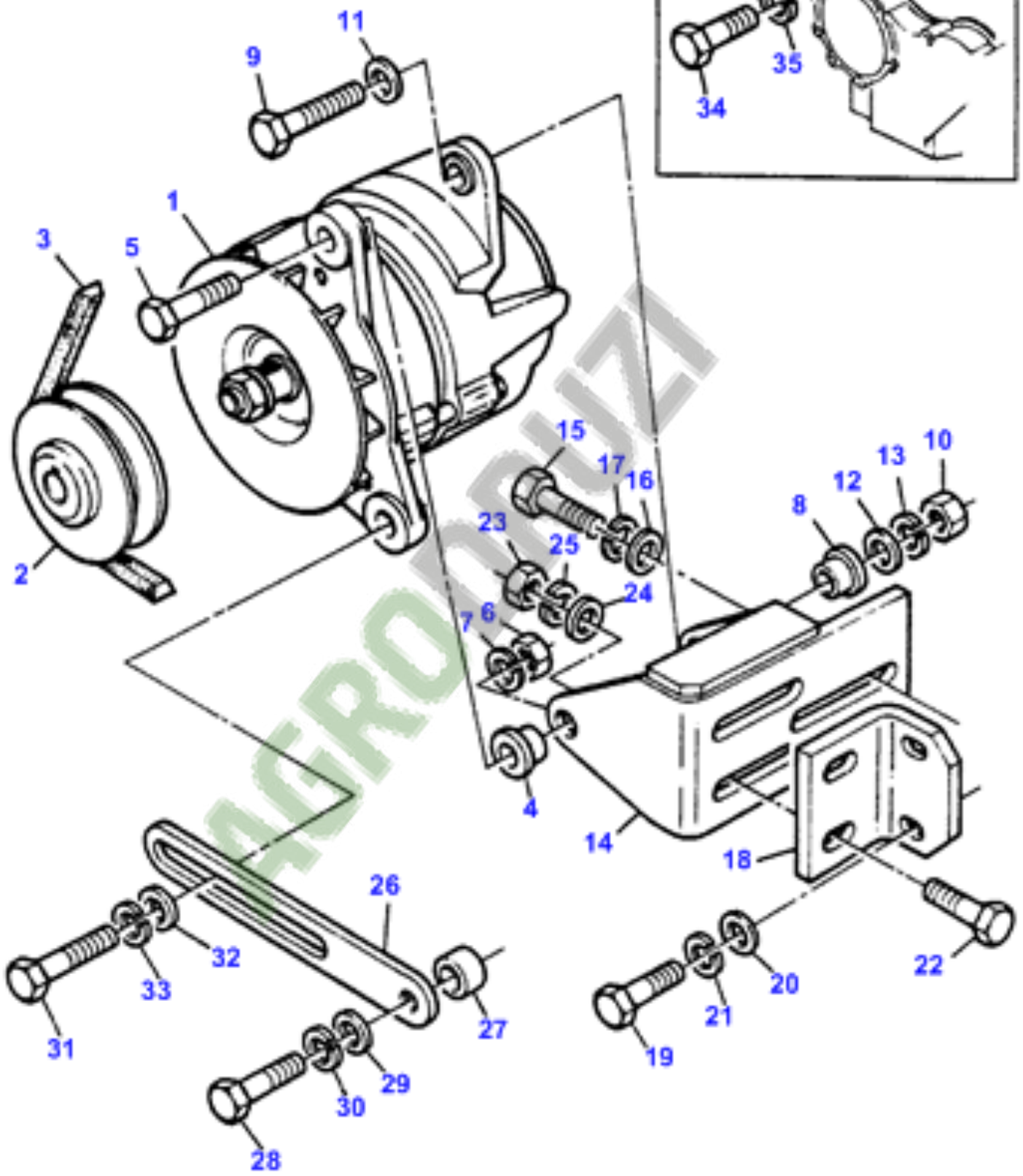
T-0605-02M-A

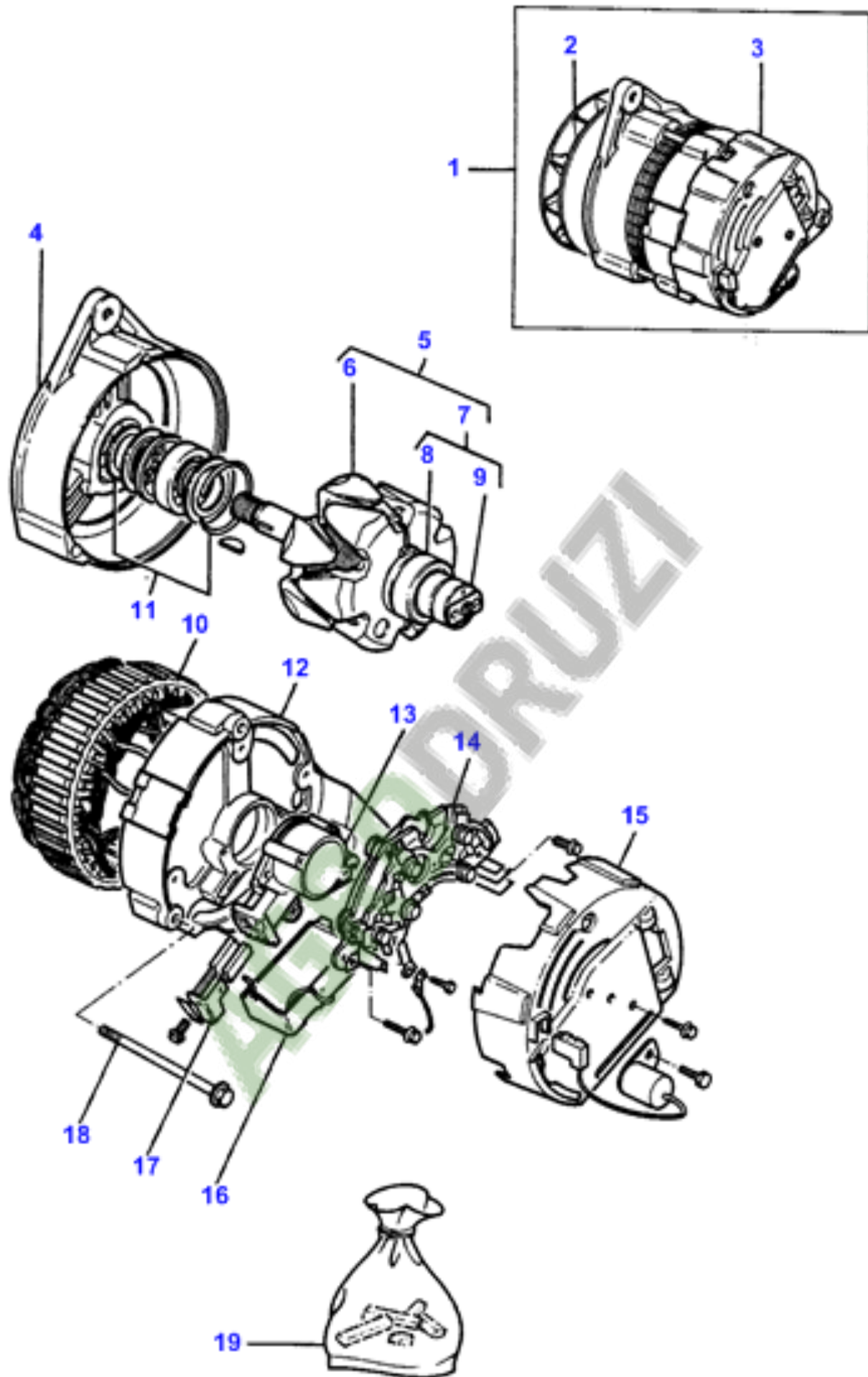




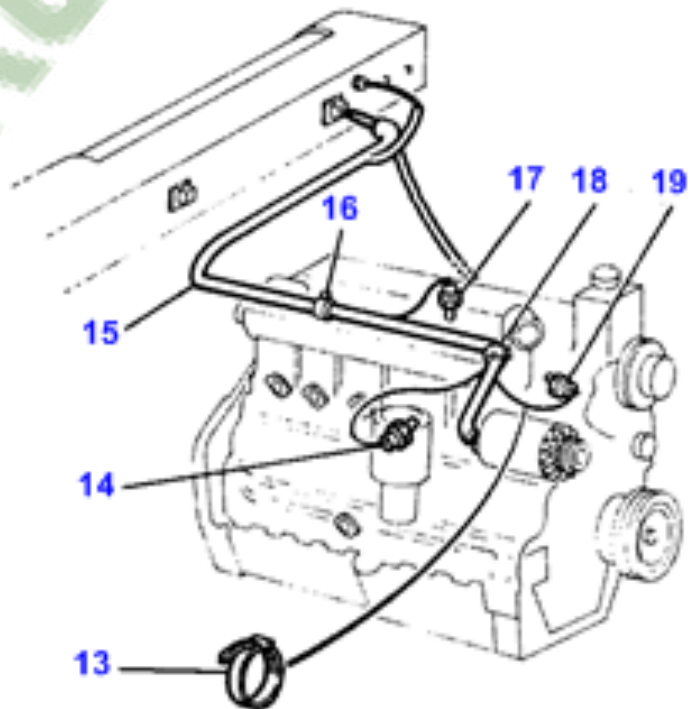
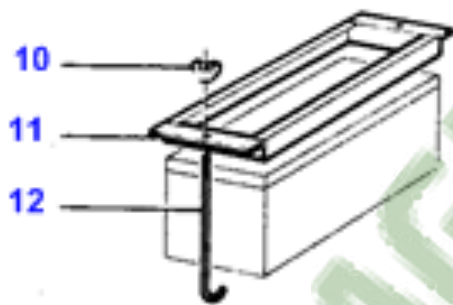
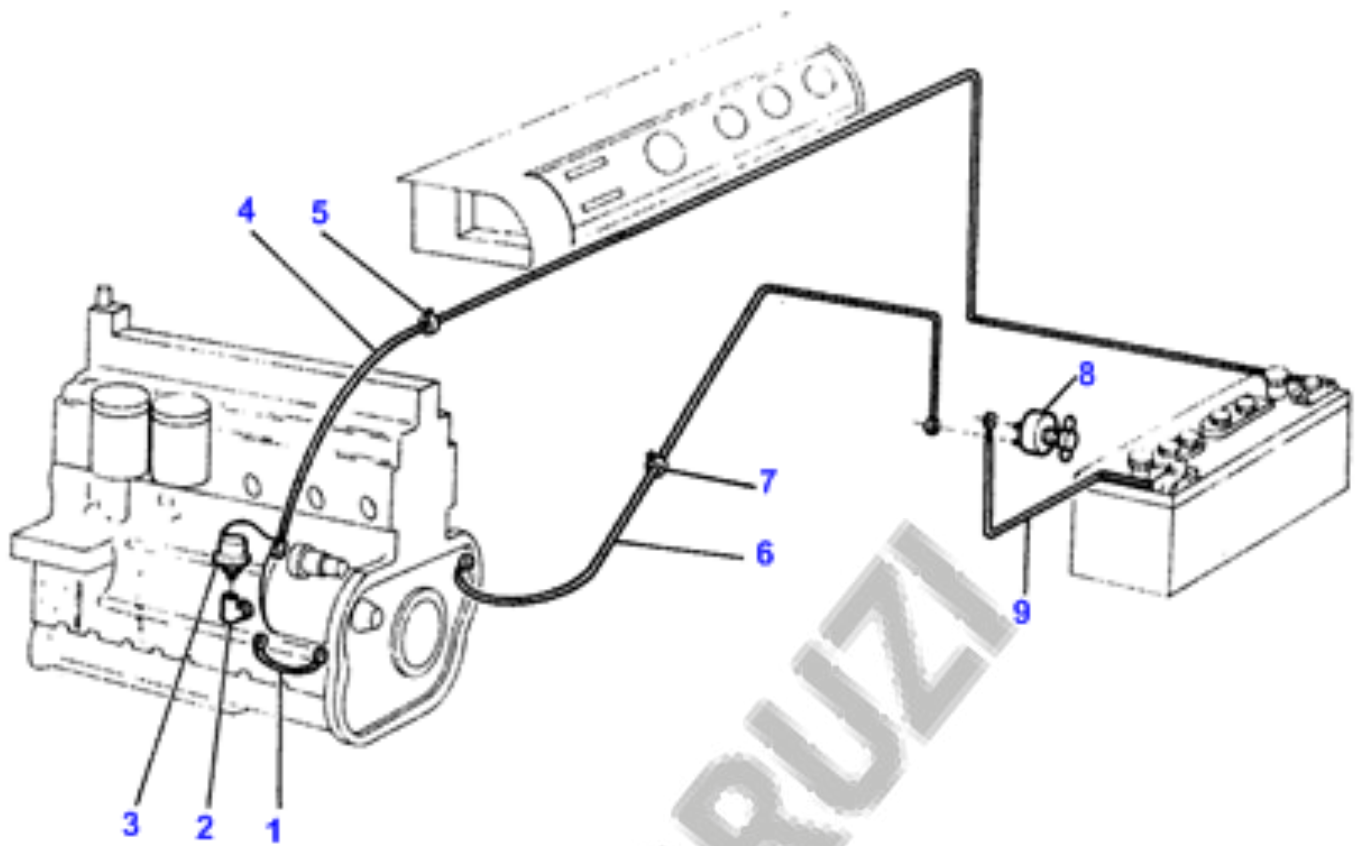
1-0182-009

T-0637-03M-A

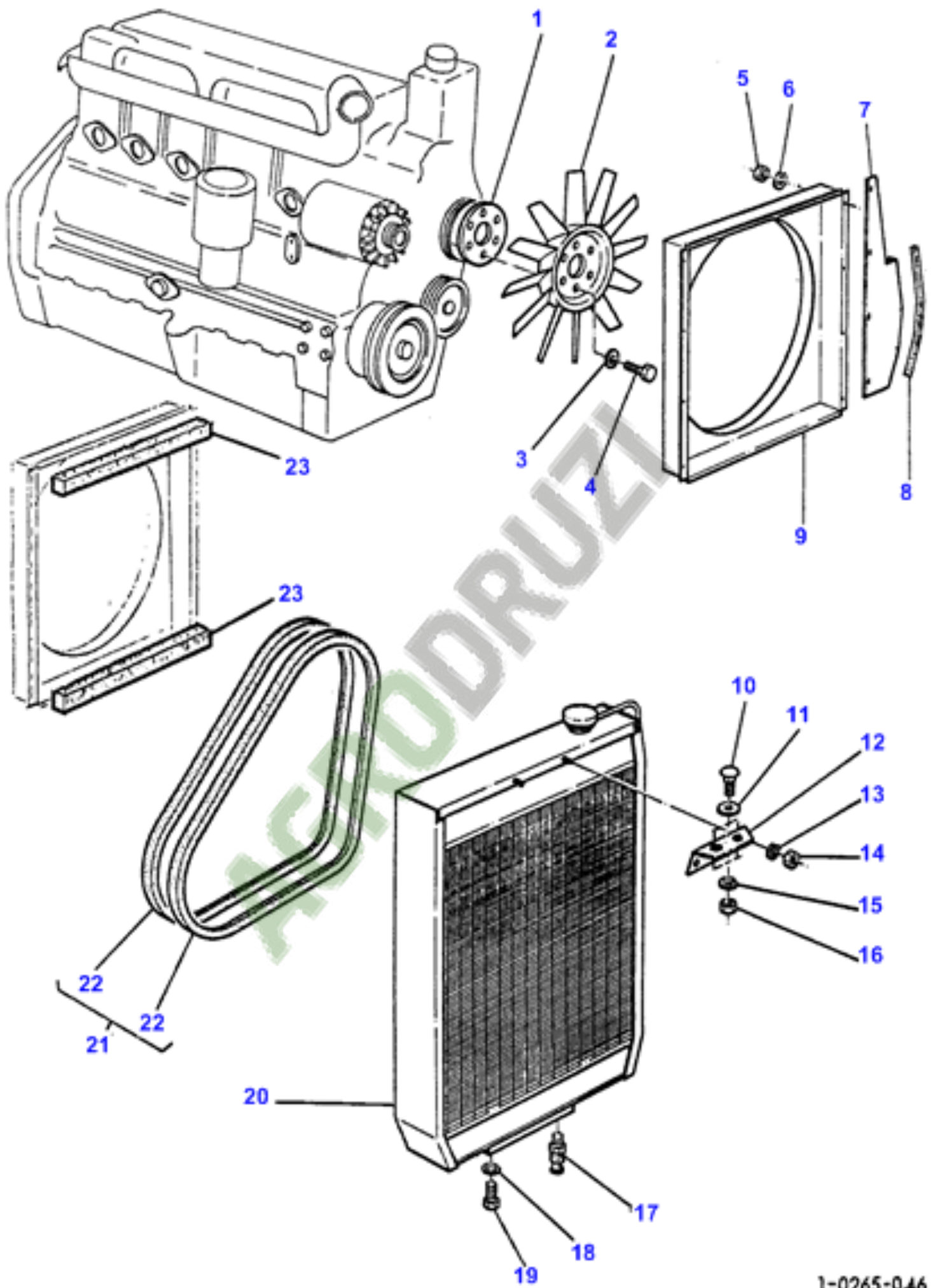




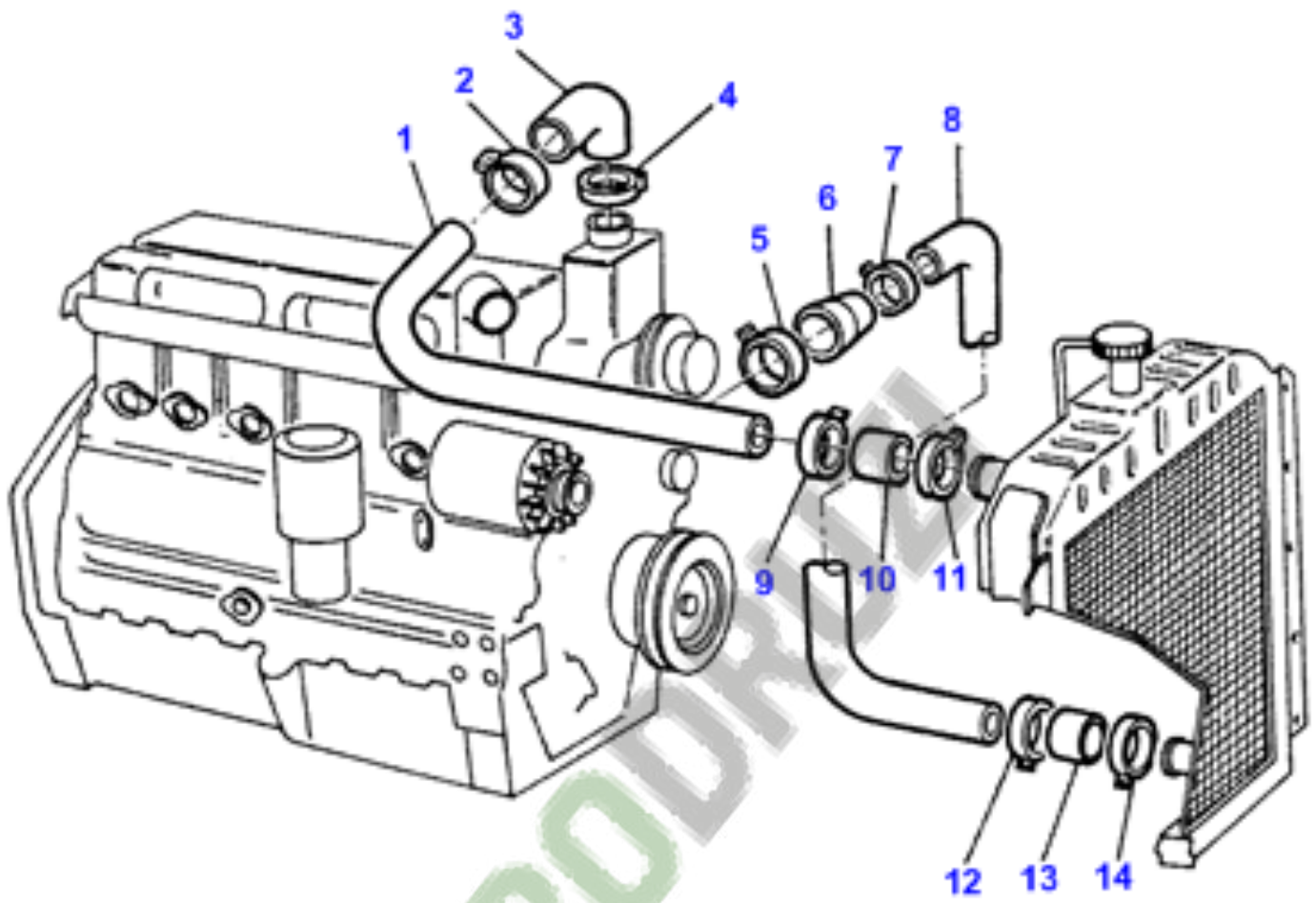
1-0162-012



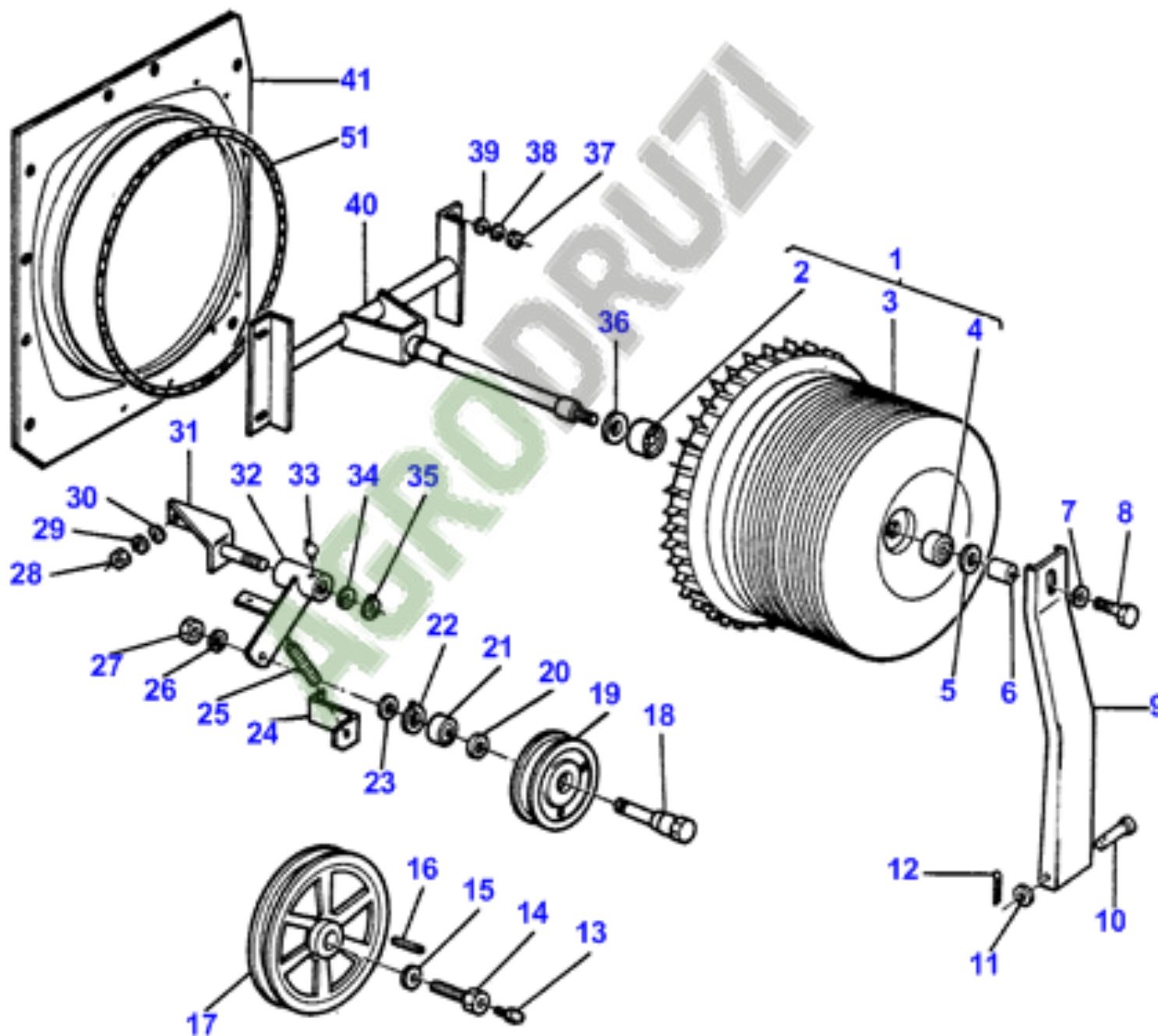
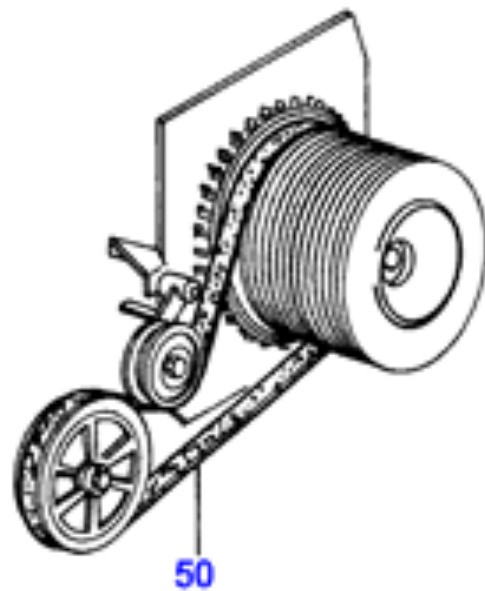
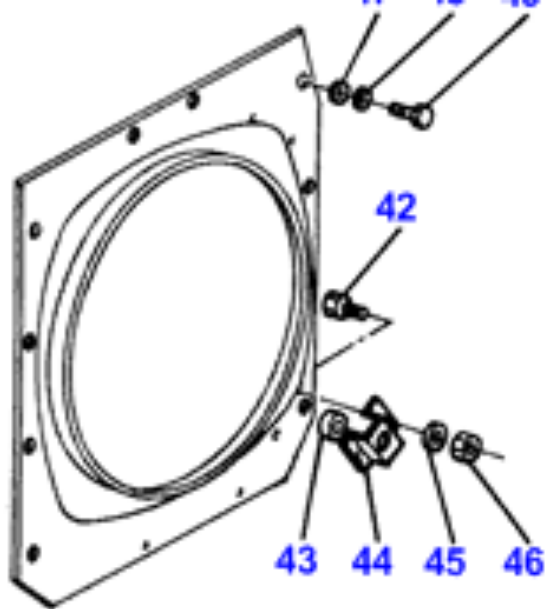
I-0150-065



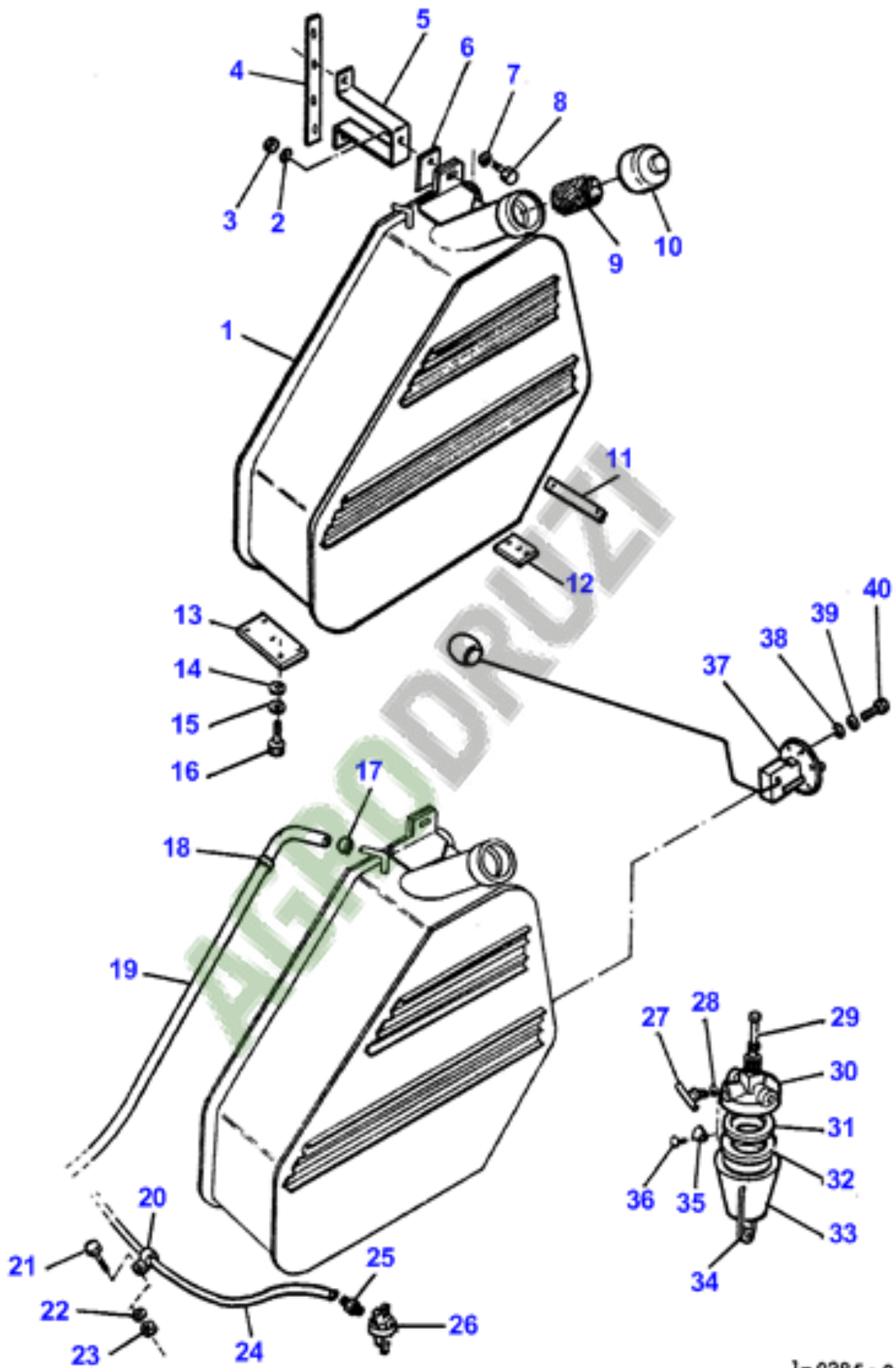
1-0265-046



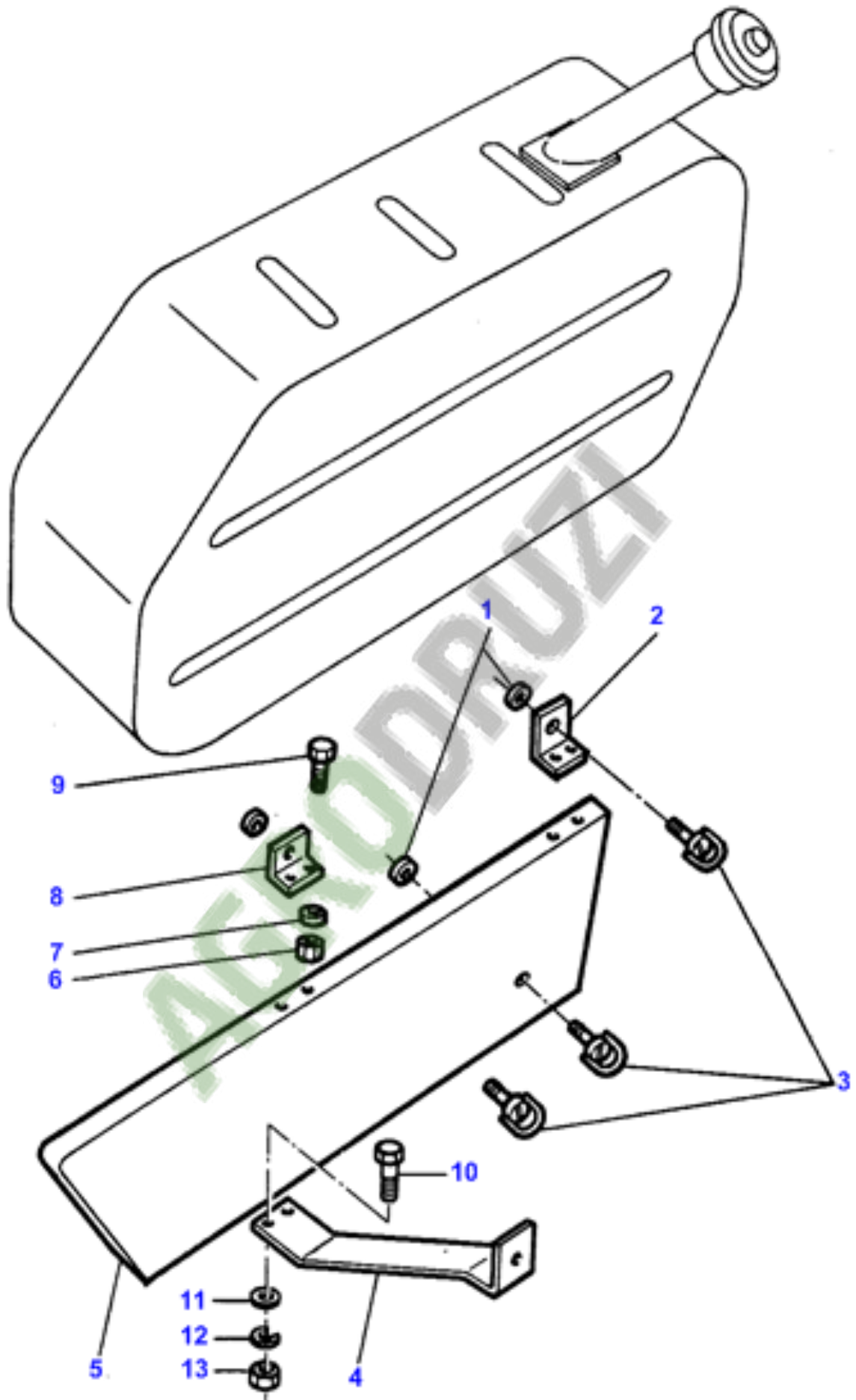
1-0265-021



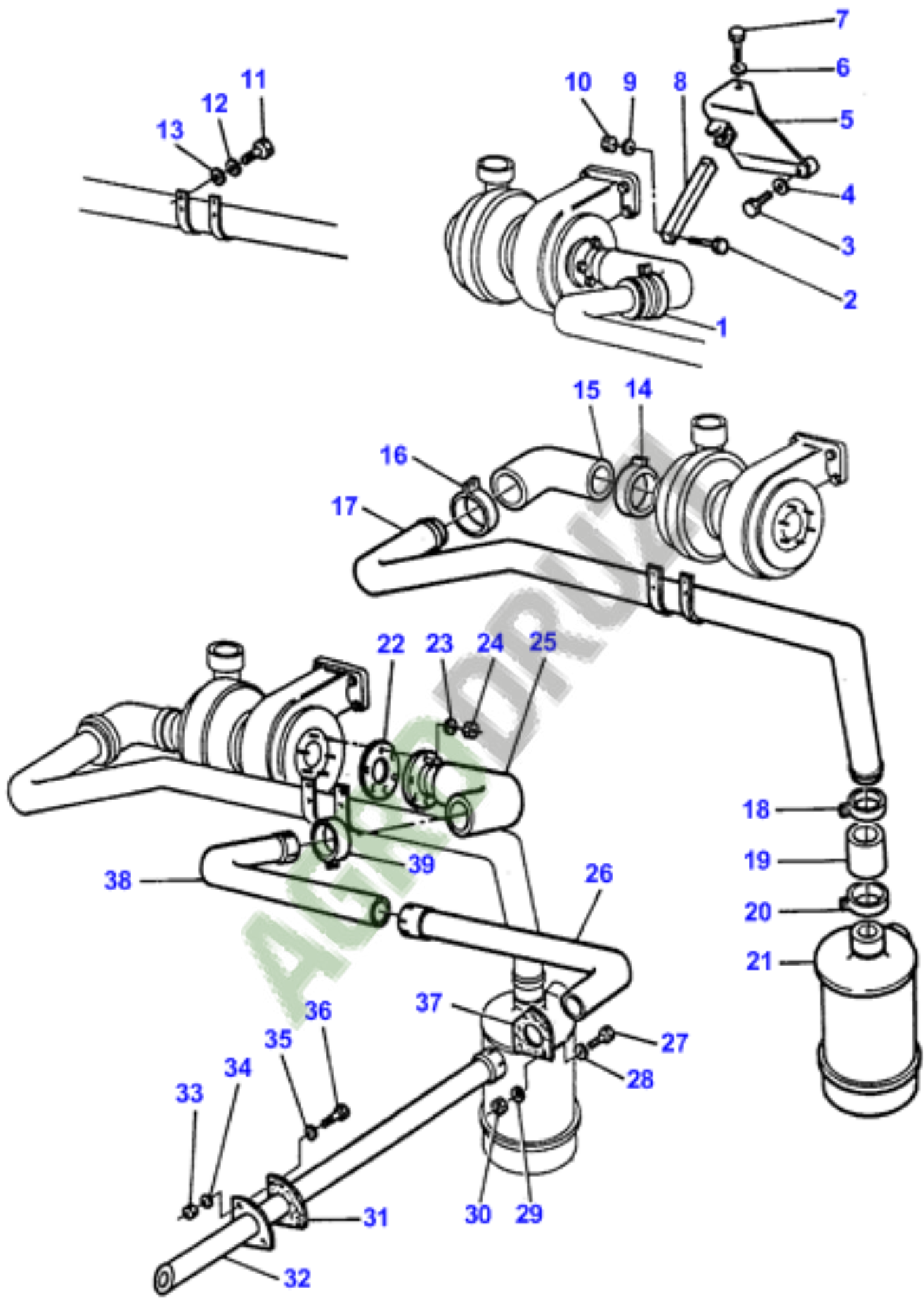
1-0300-008



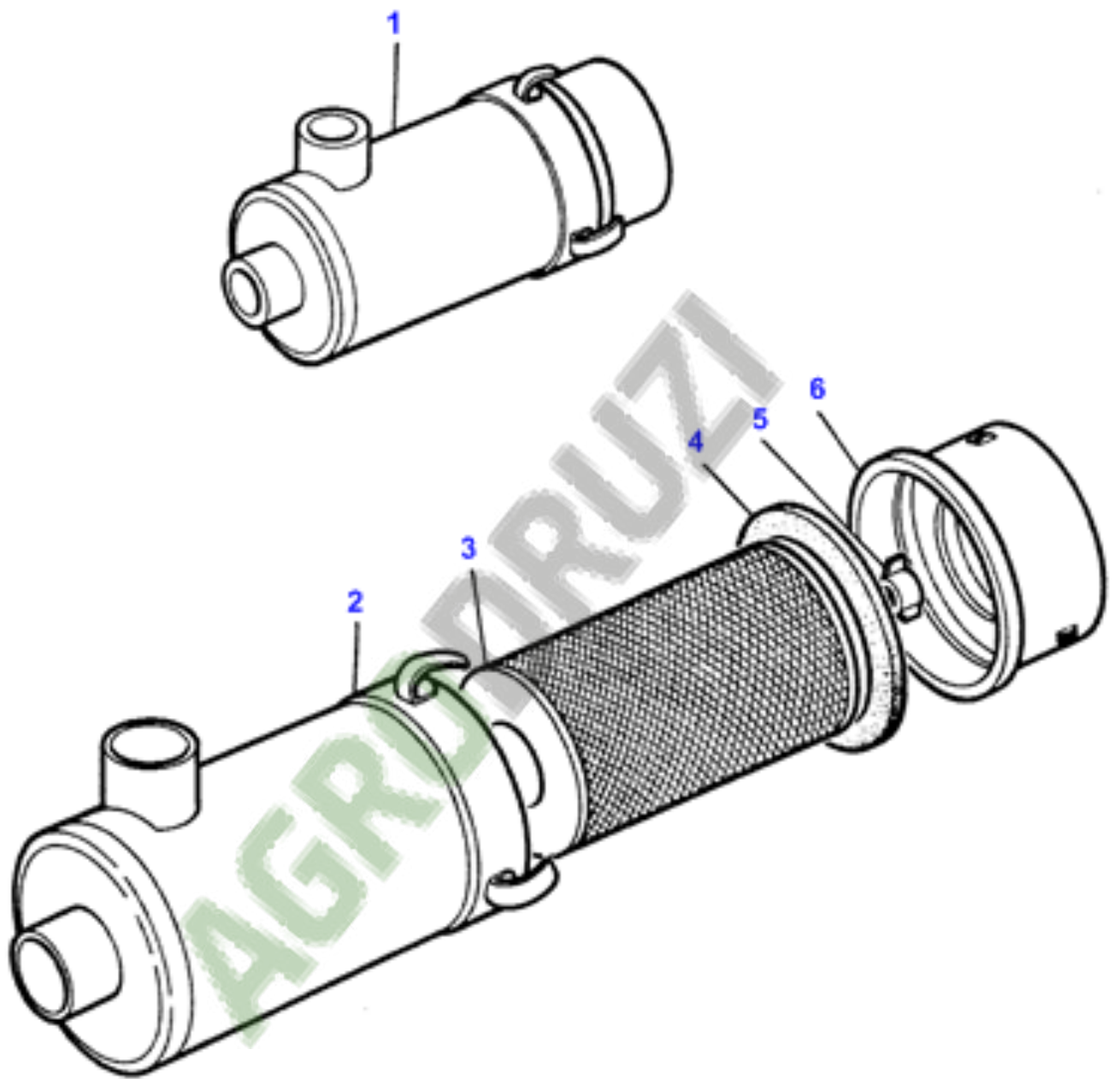
1-0385-055



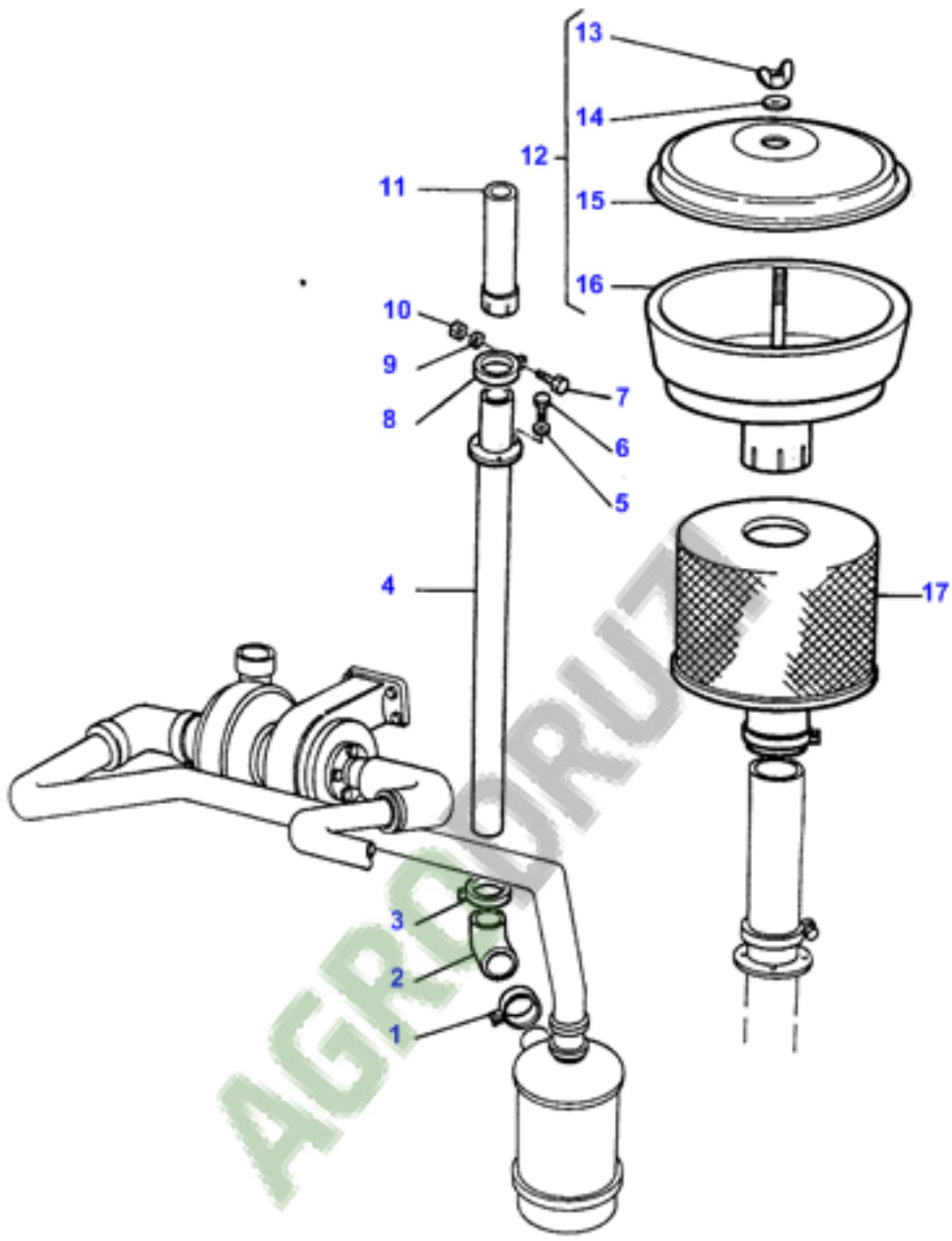
1-0385 -032



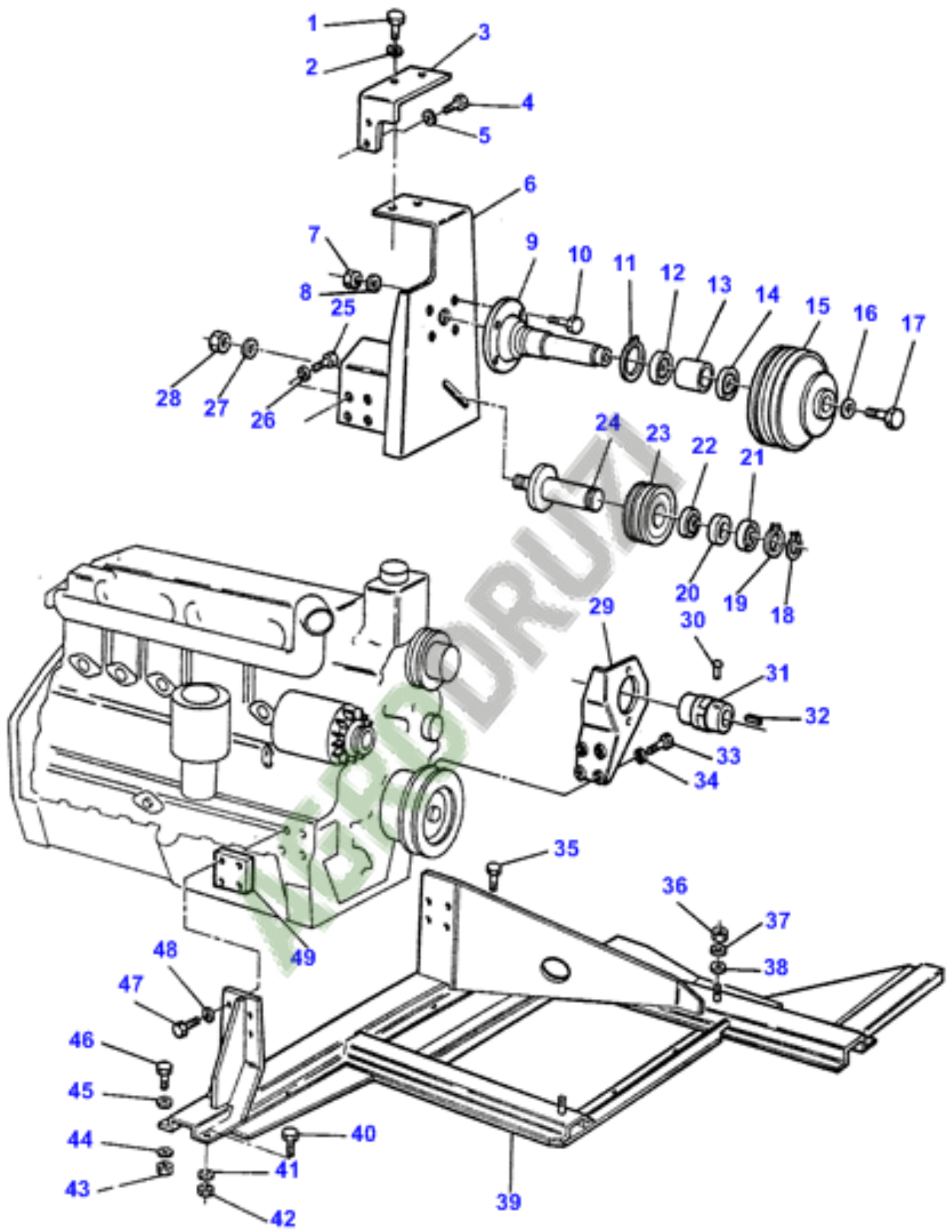
1-0310-042



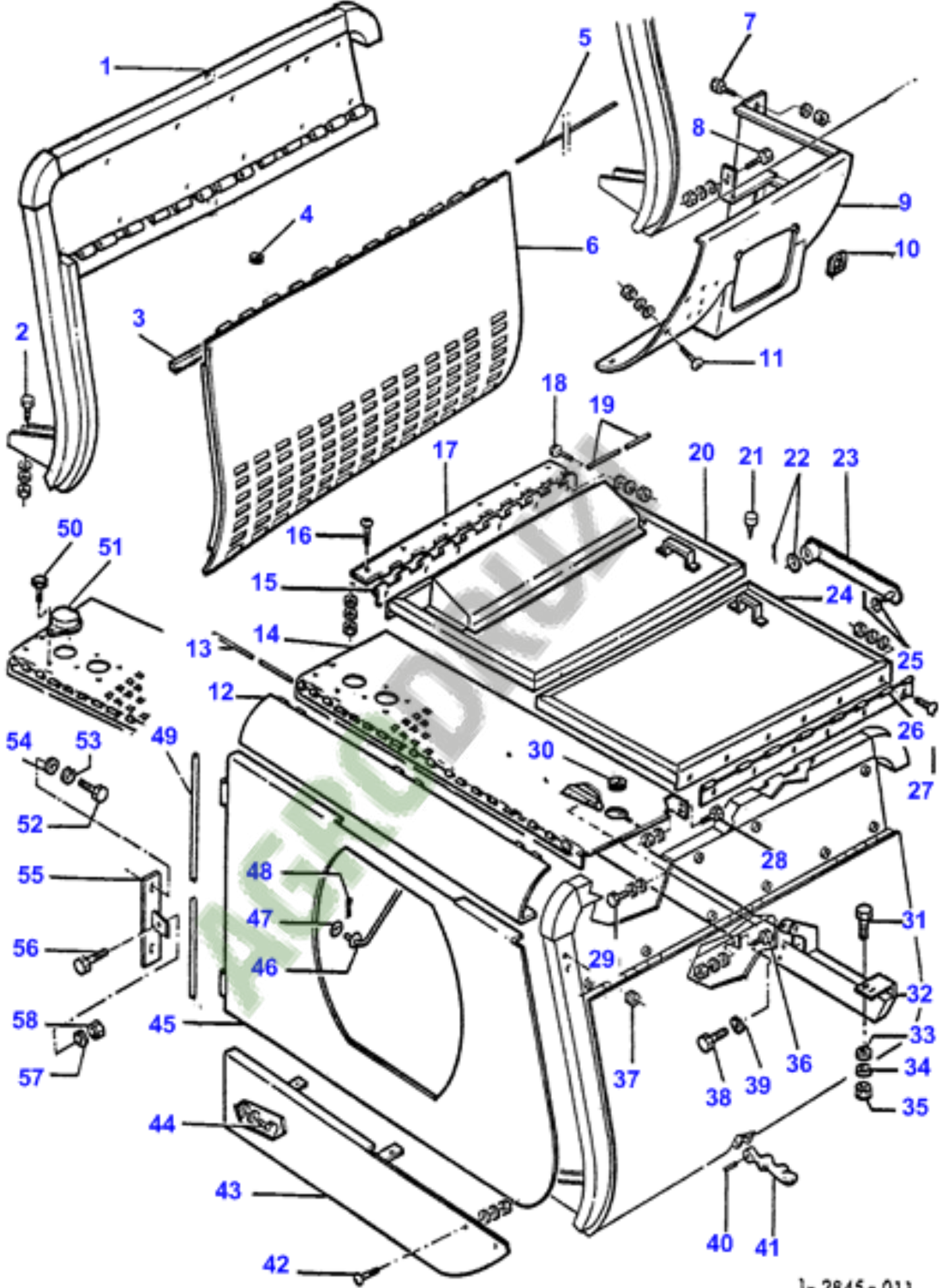
1-0290-019



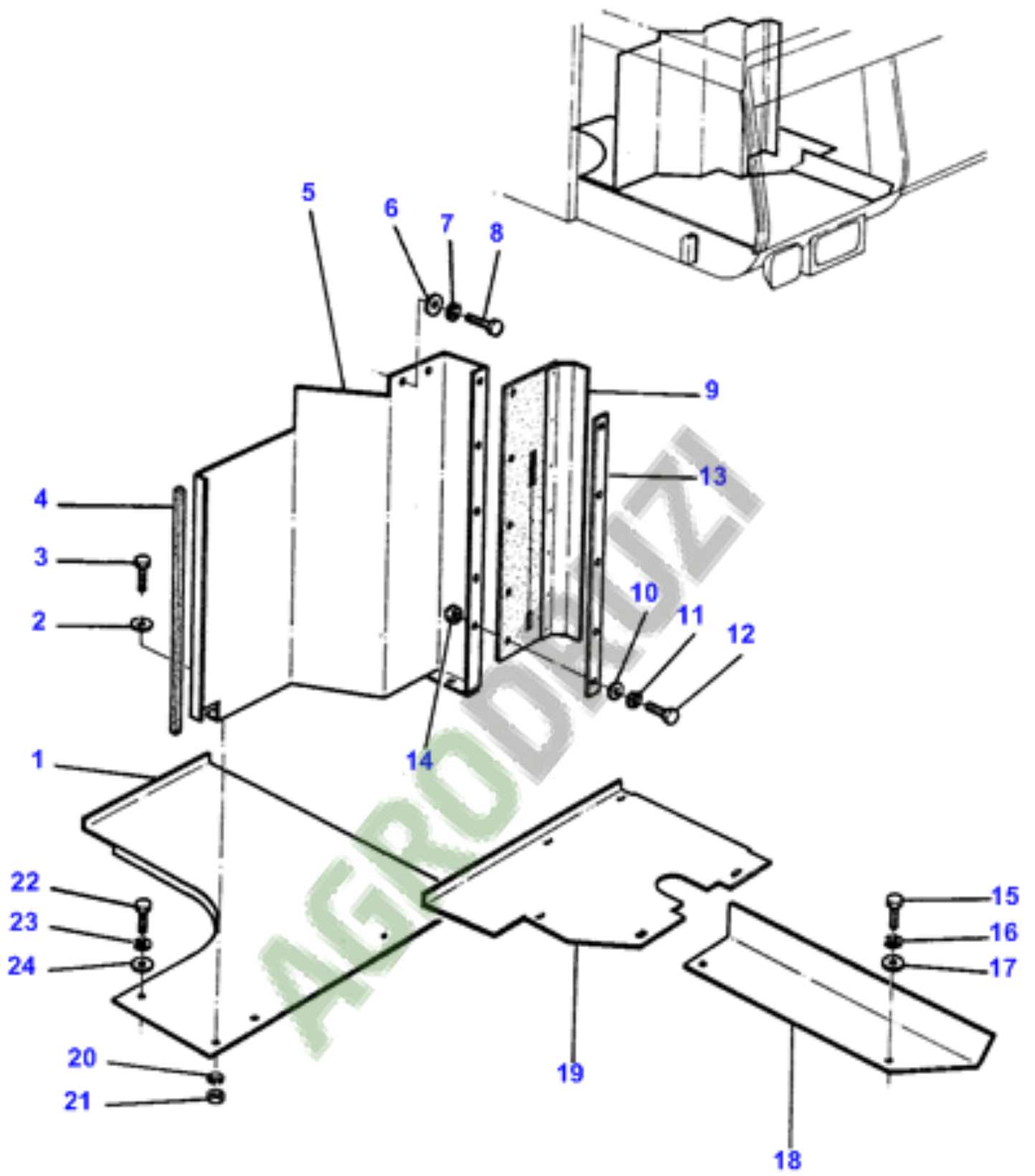
1-0292-011



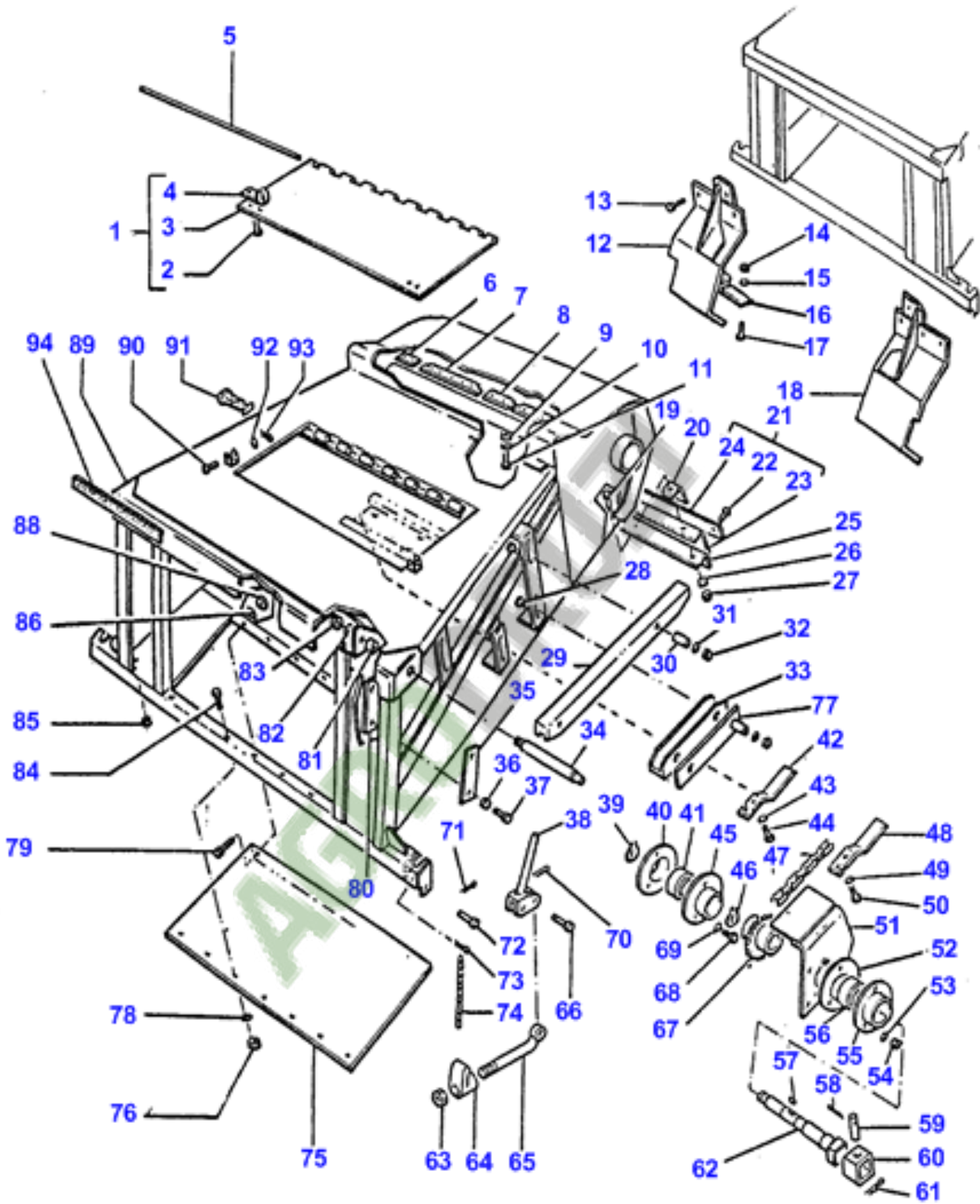
1-0540-013



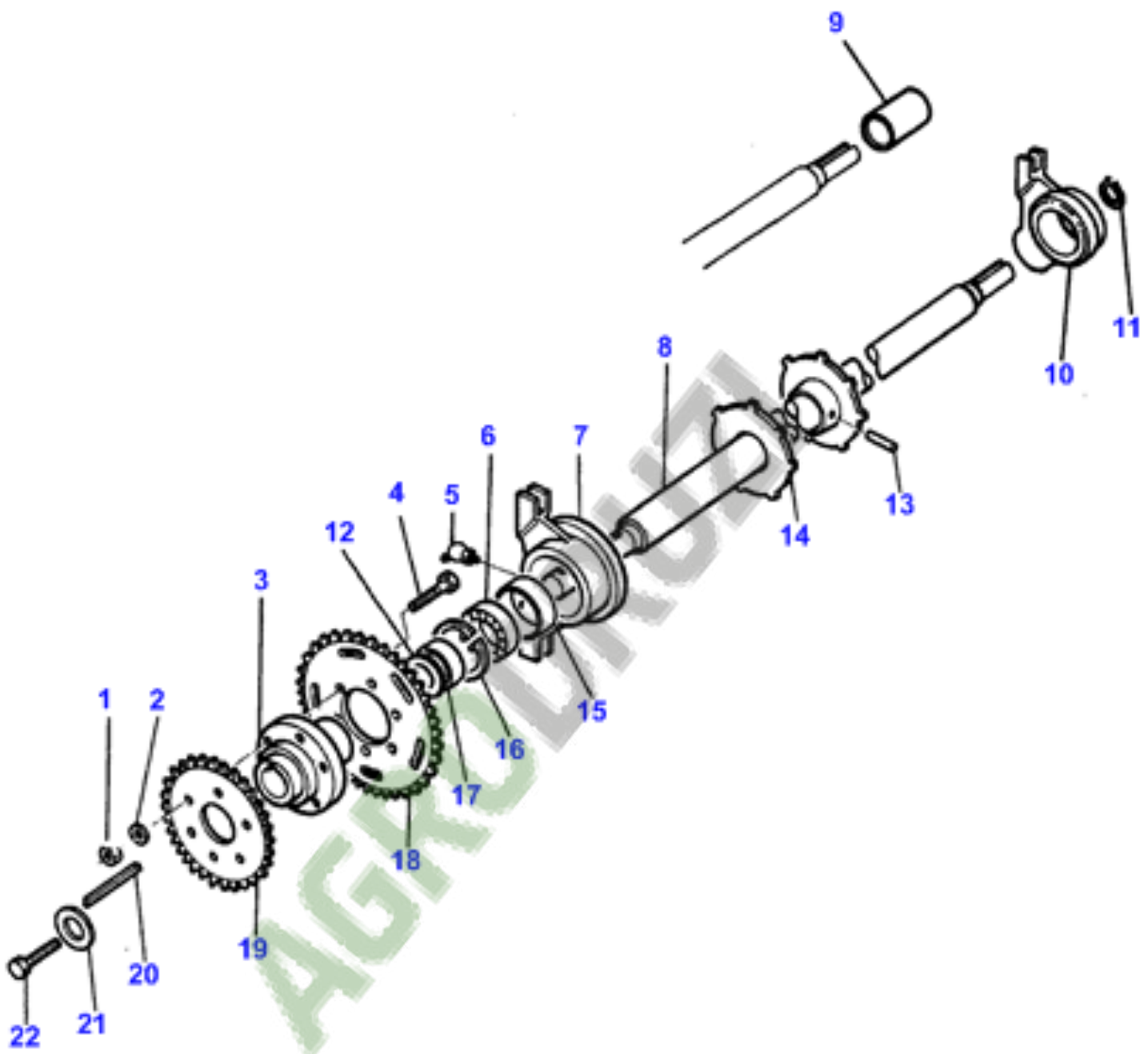
1-2845-011



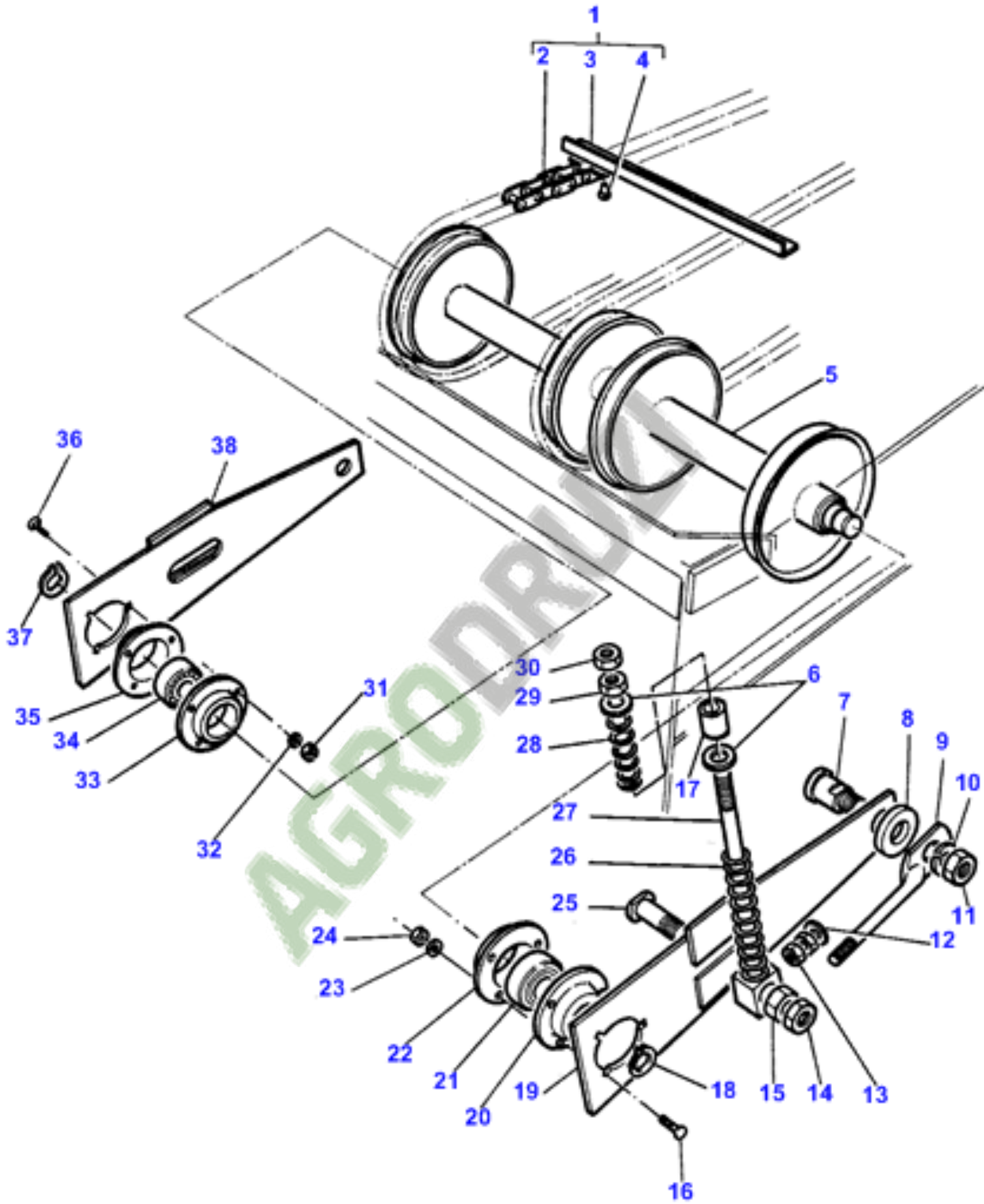
1-2845-008



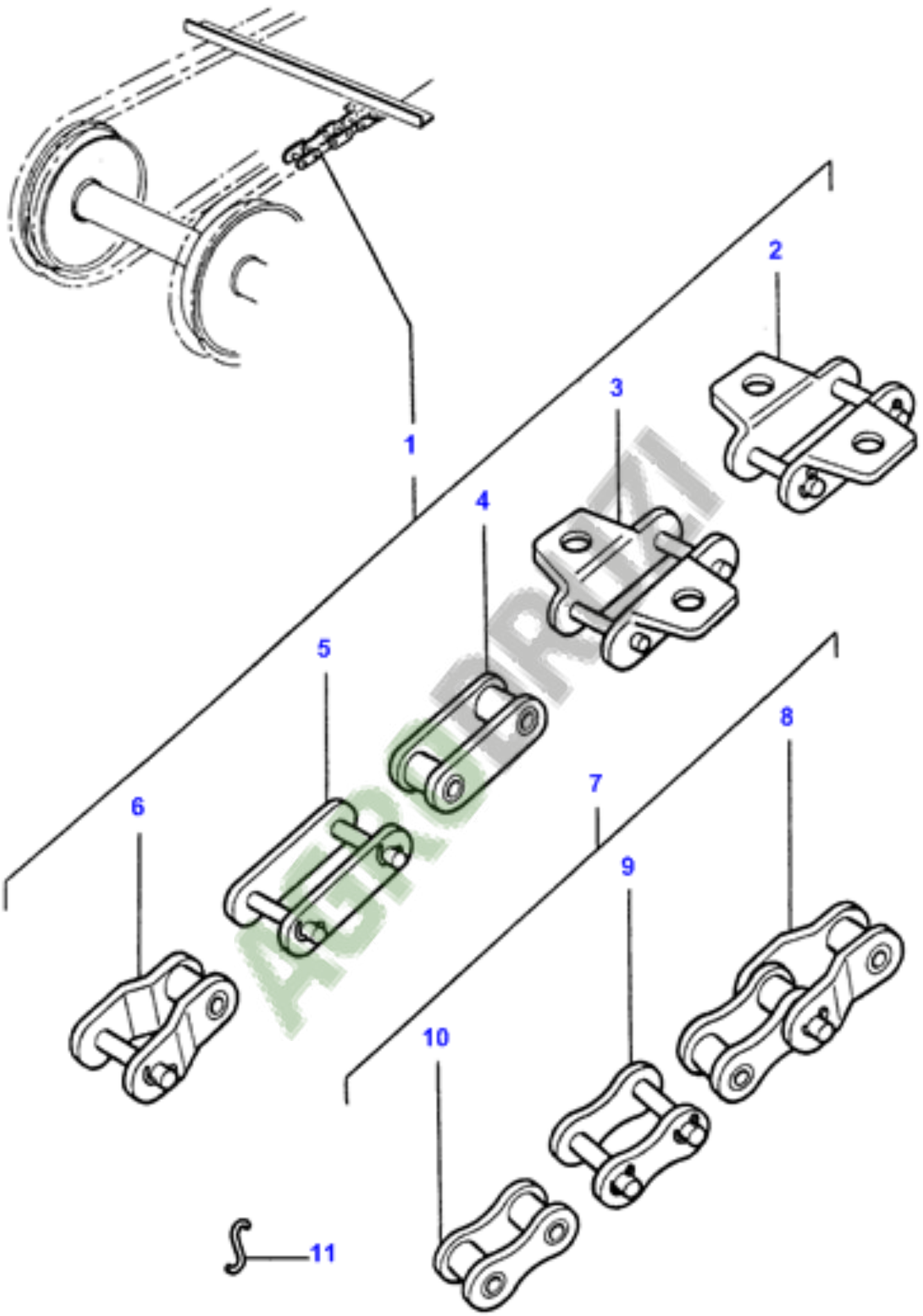
1-2305-016



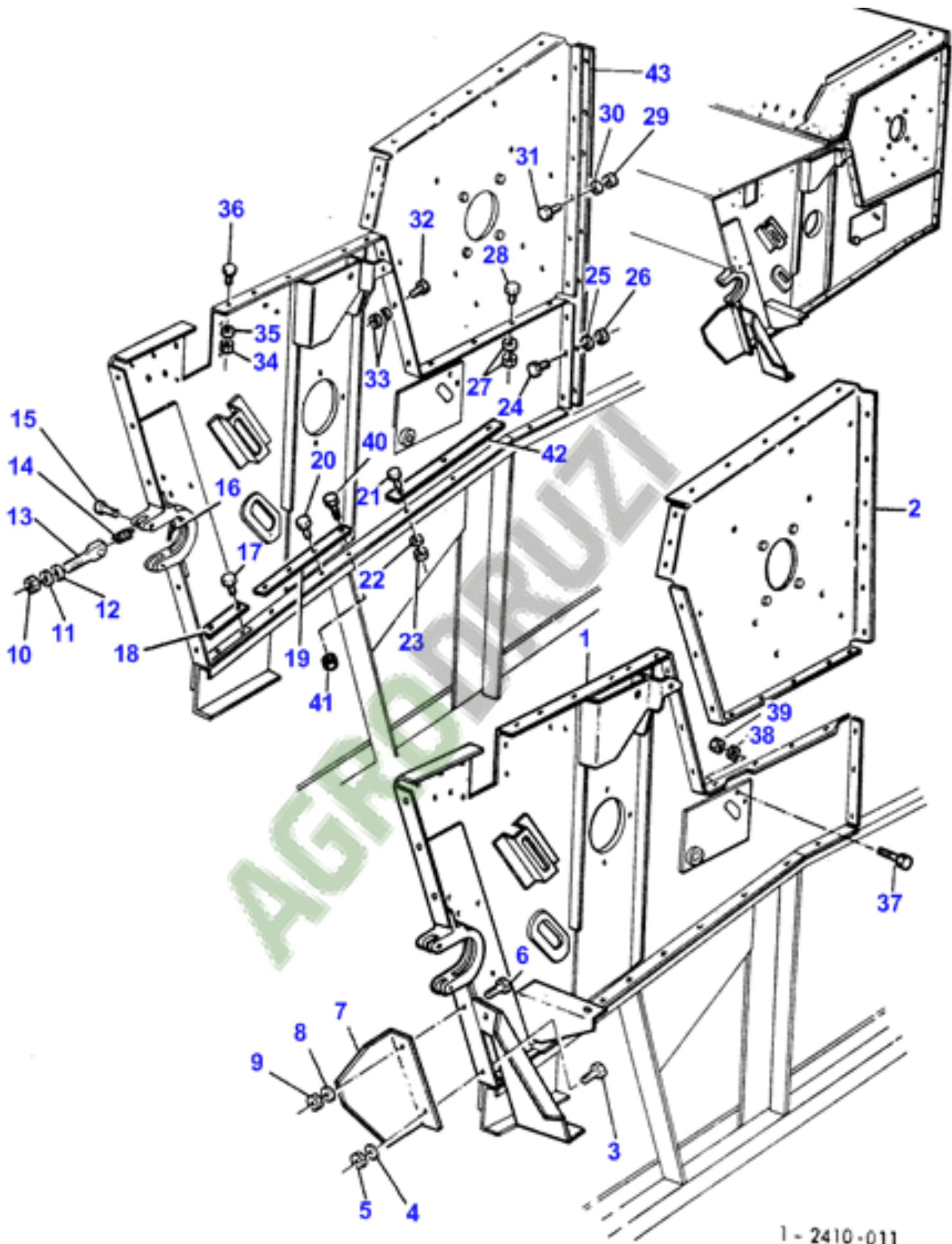
1-2305-021

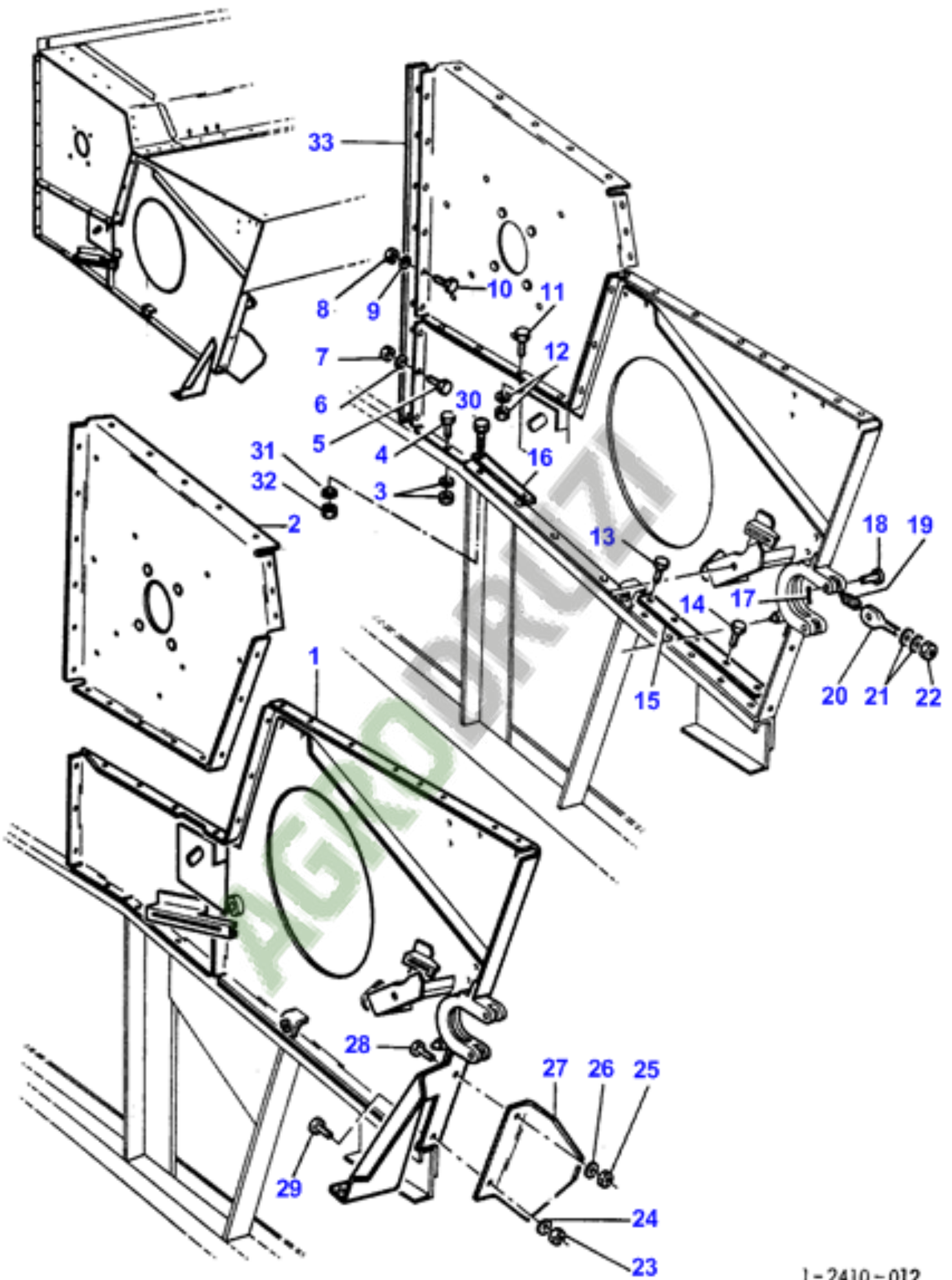


1-2305-018

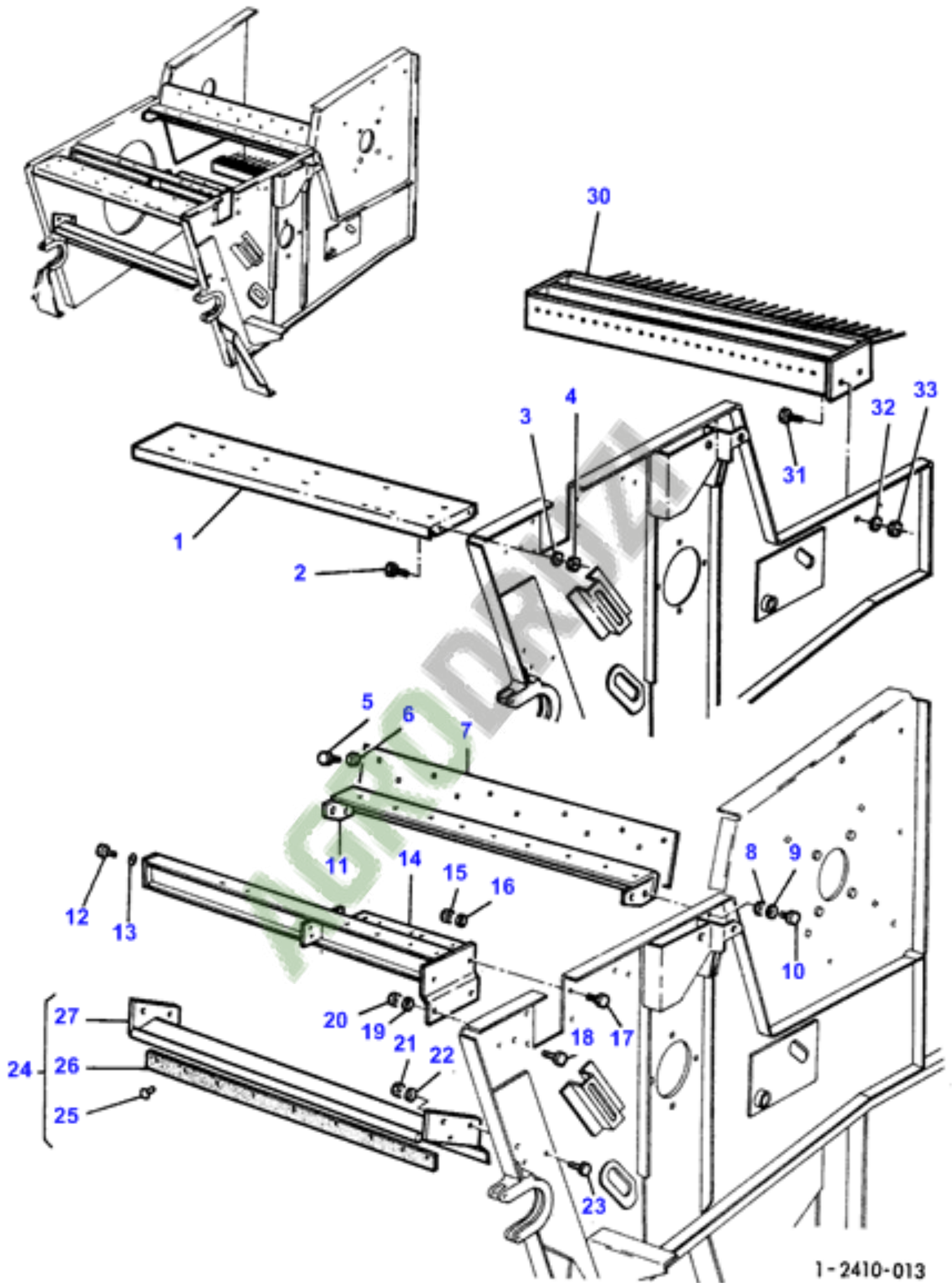


1-2305-008

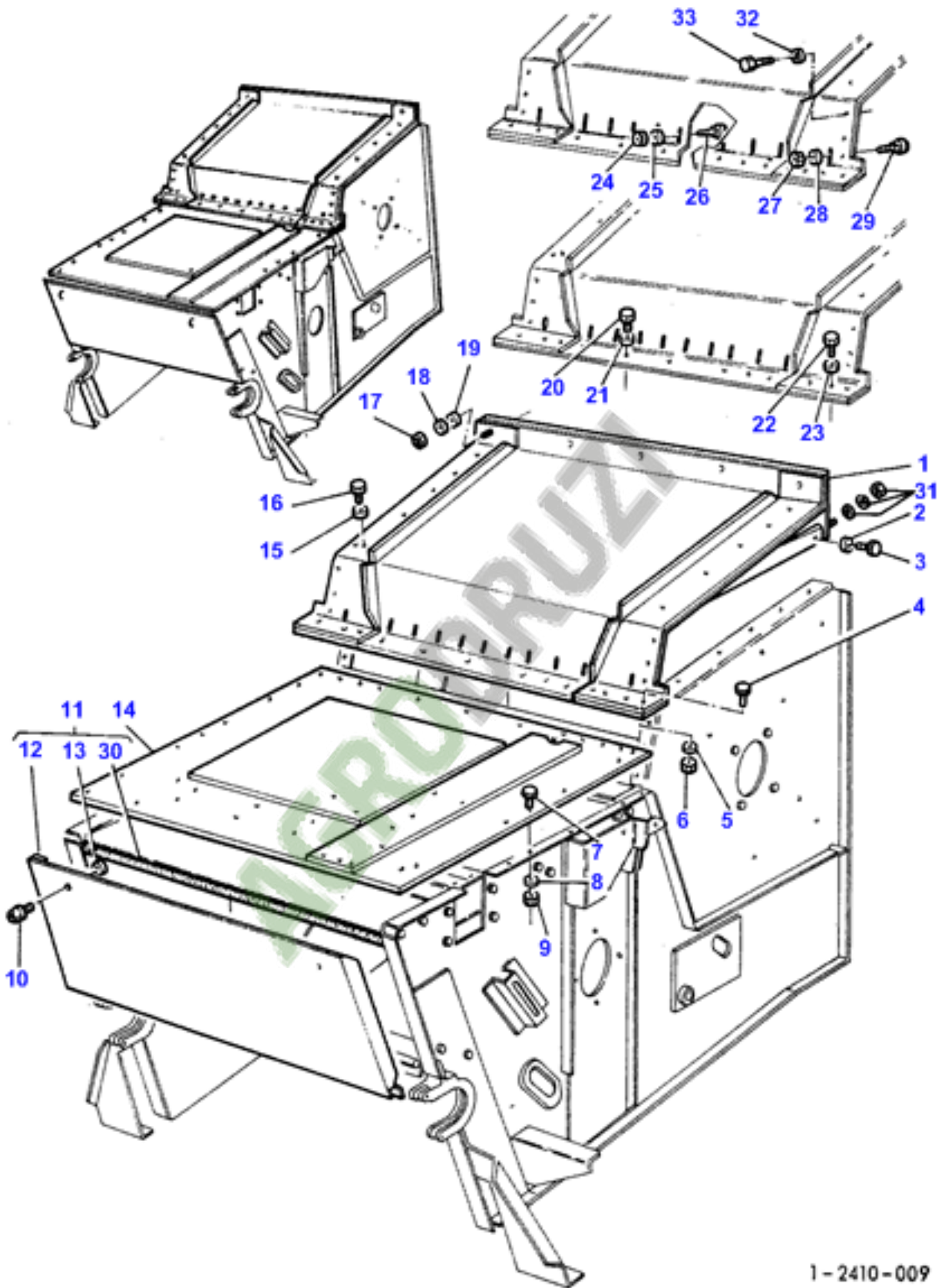




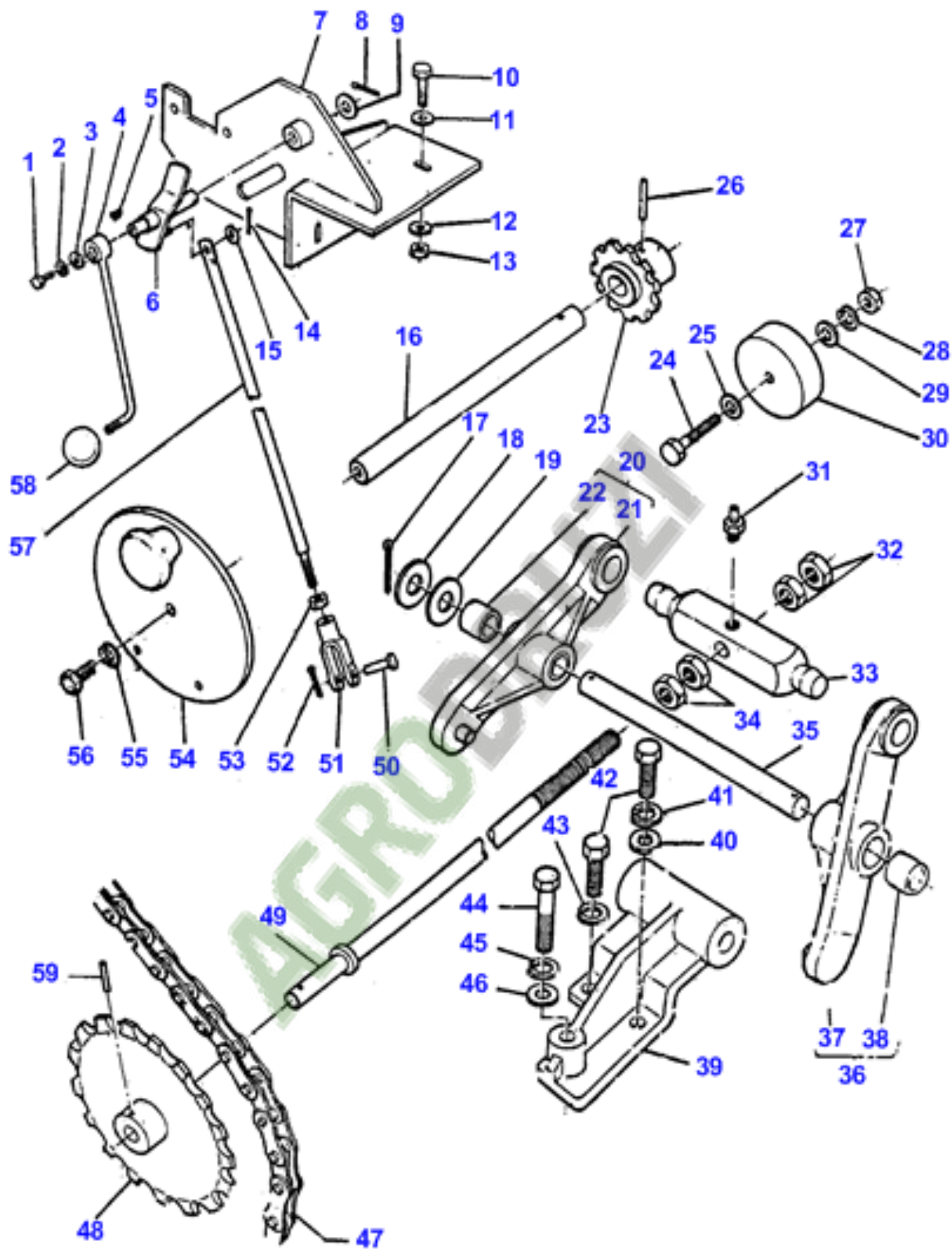
1-2410-012



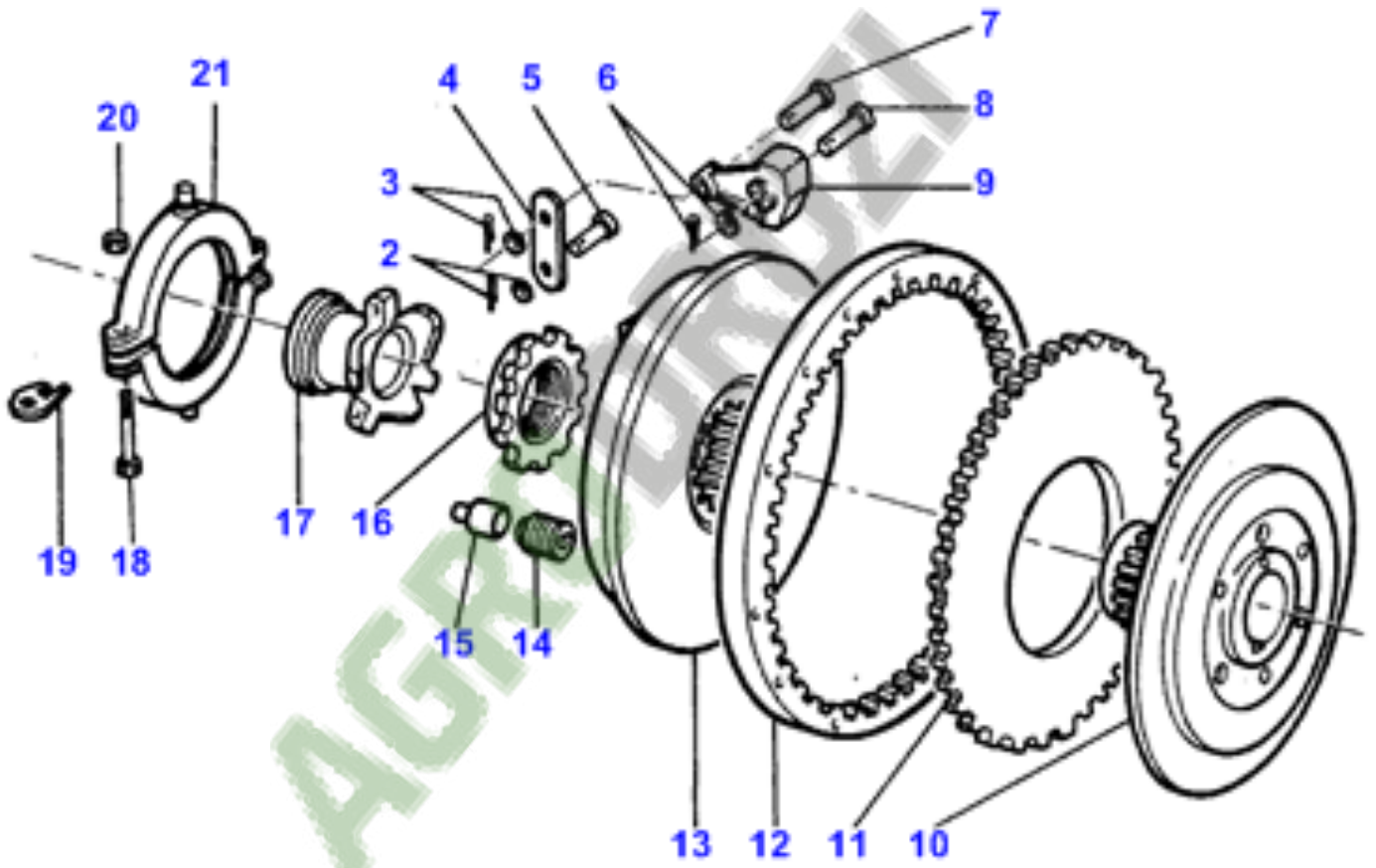
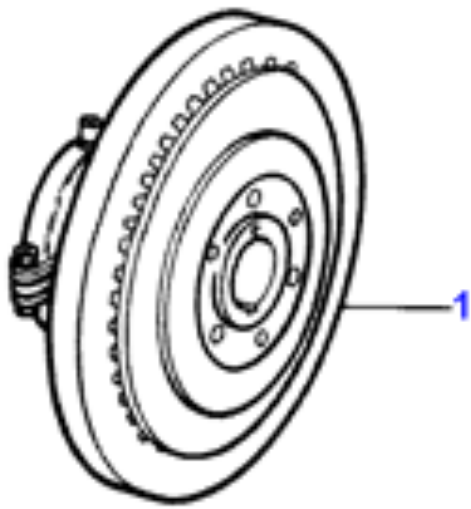
1-2410-013



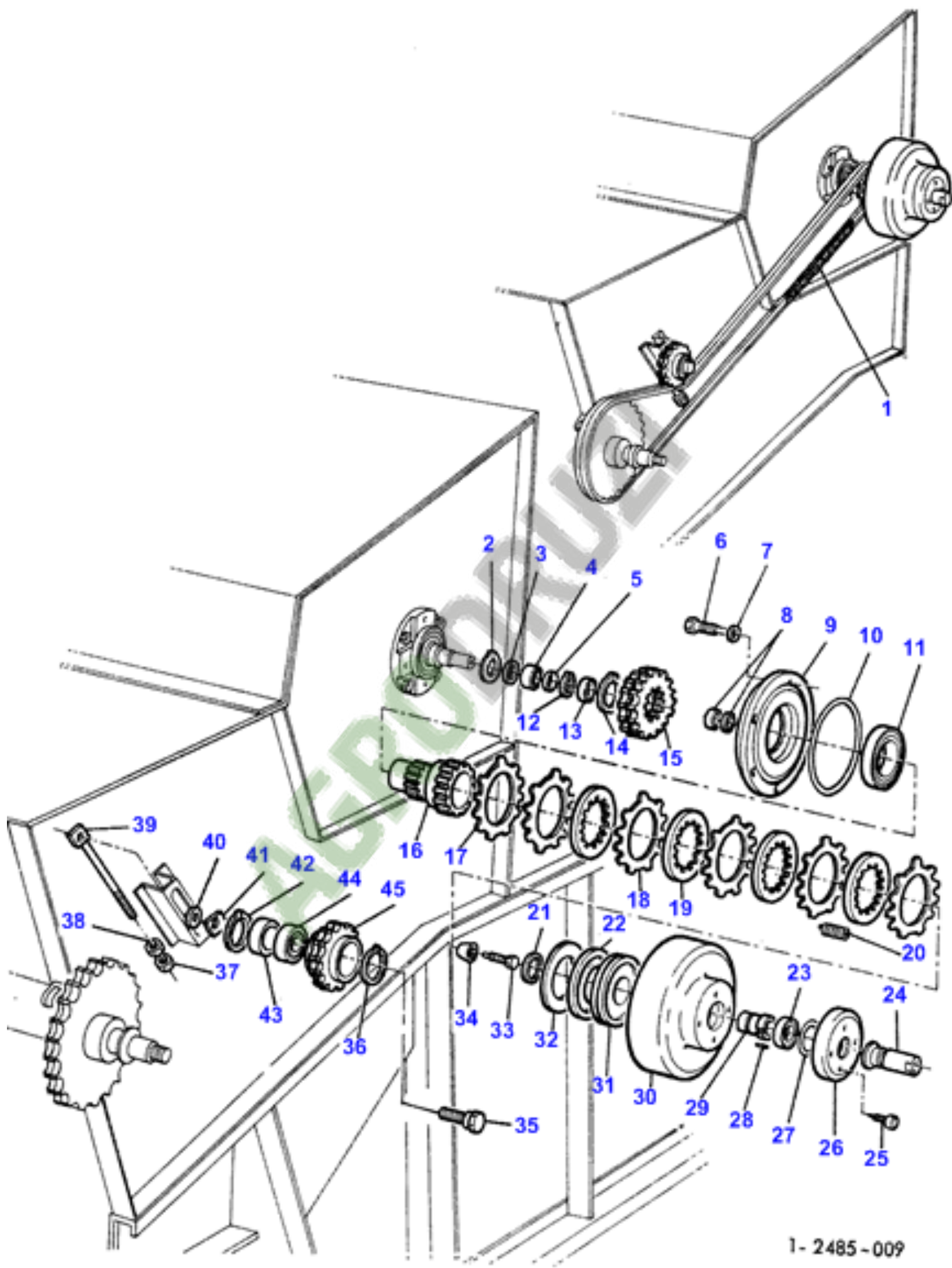
1-2410-009



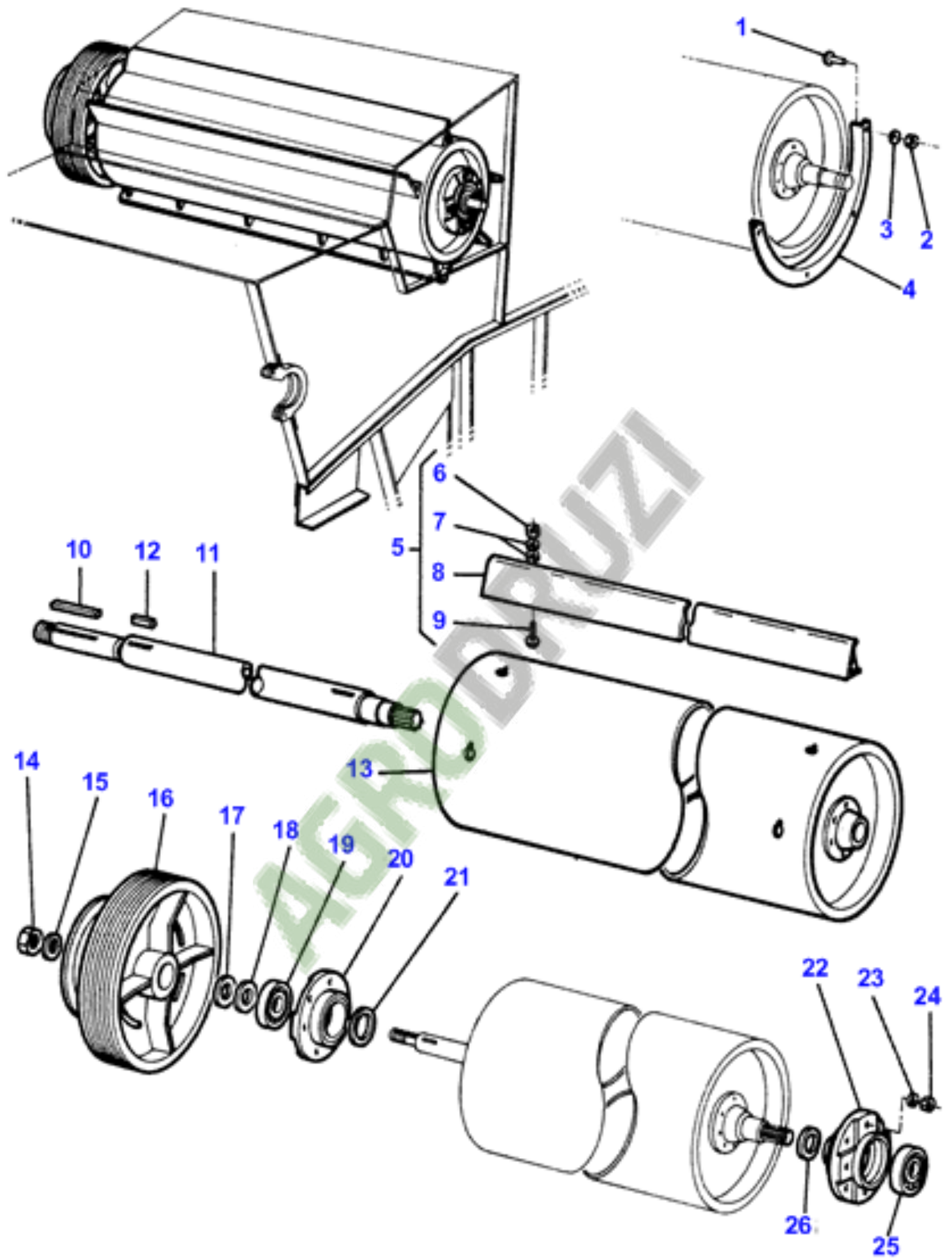
1-2430-004



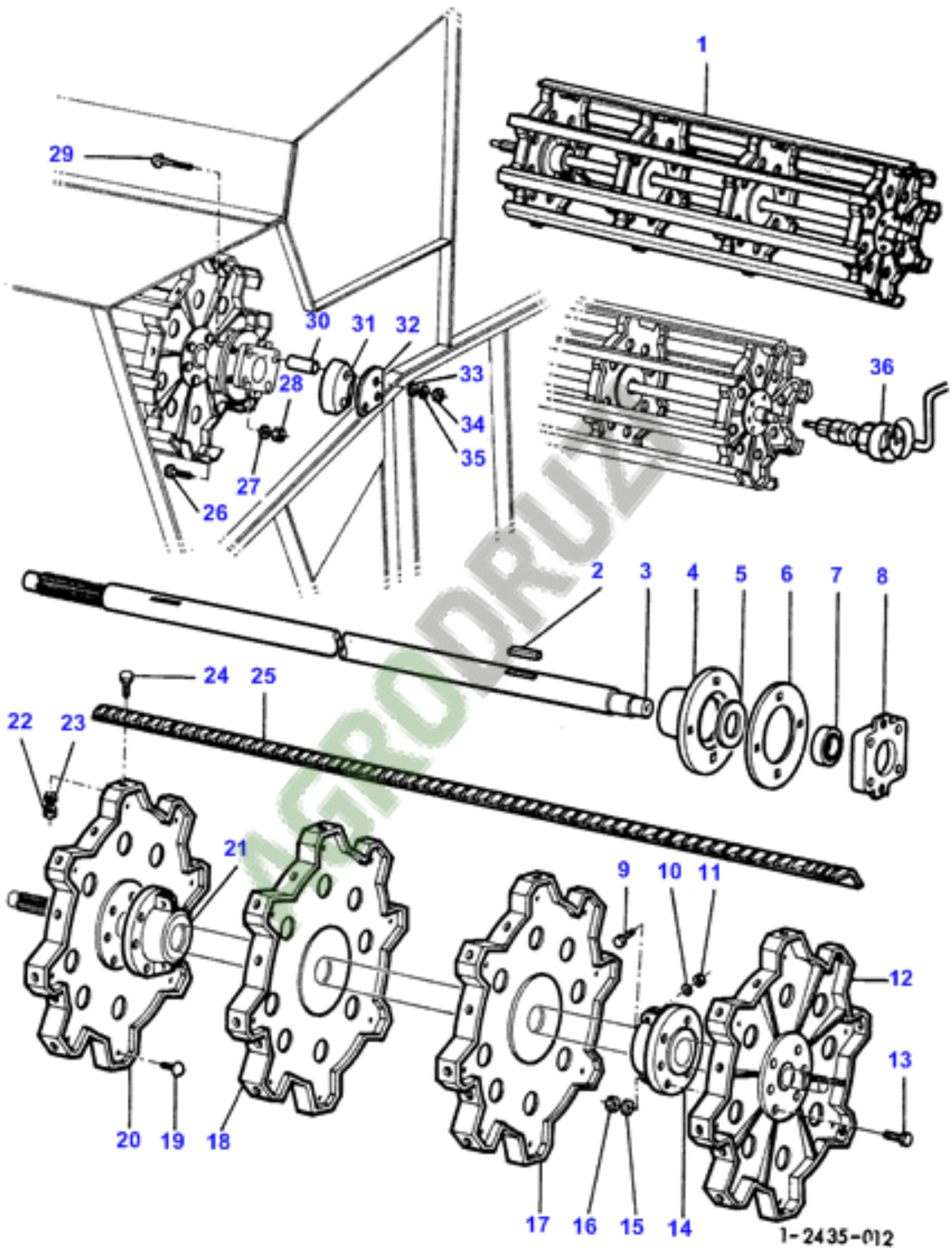
1-2430-002

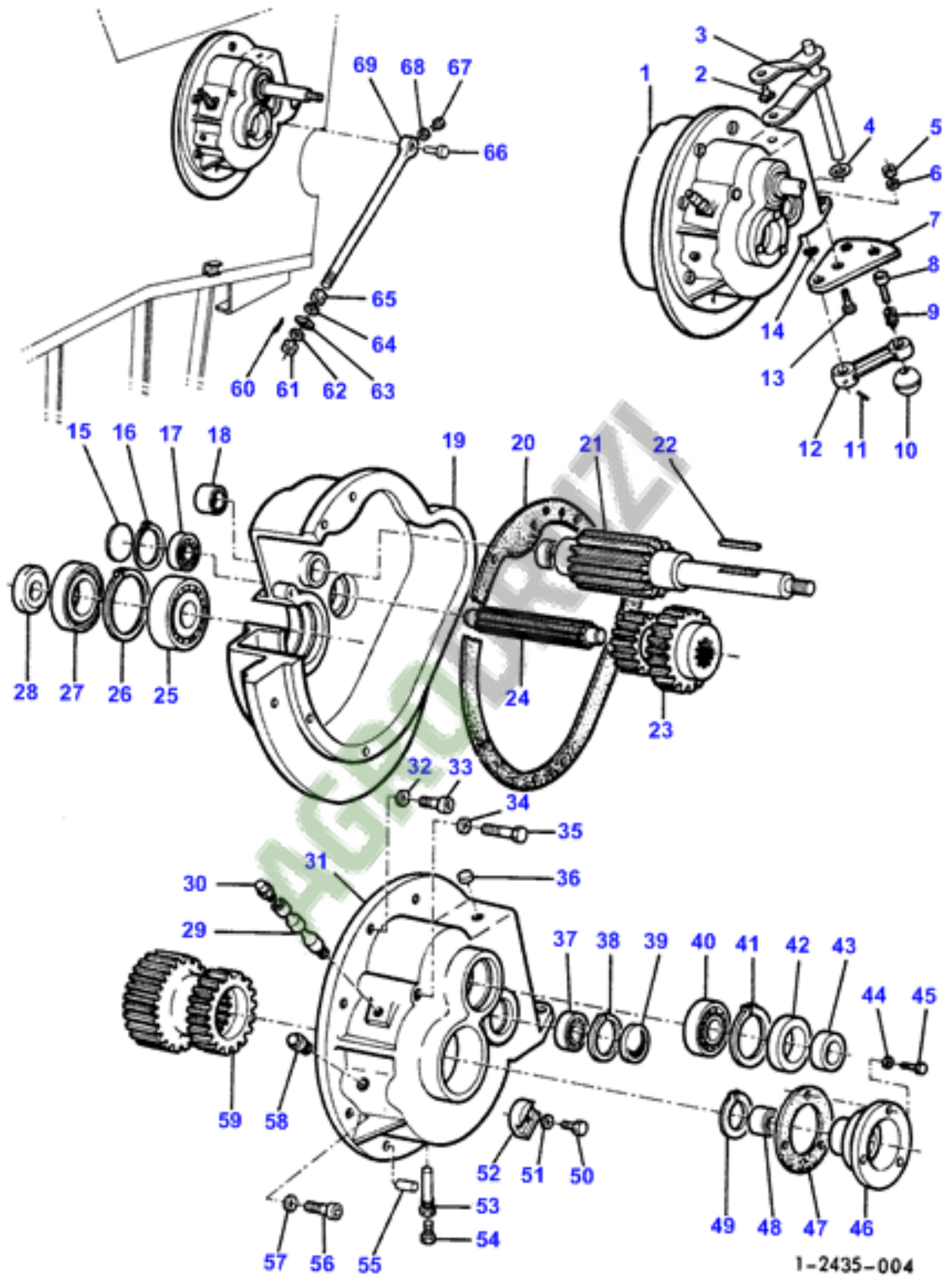


1- 2485-009

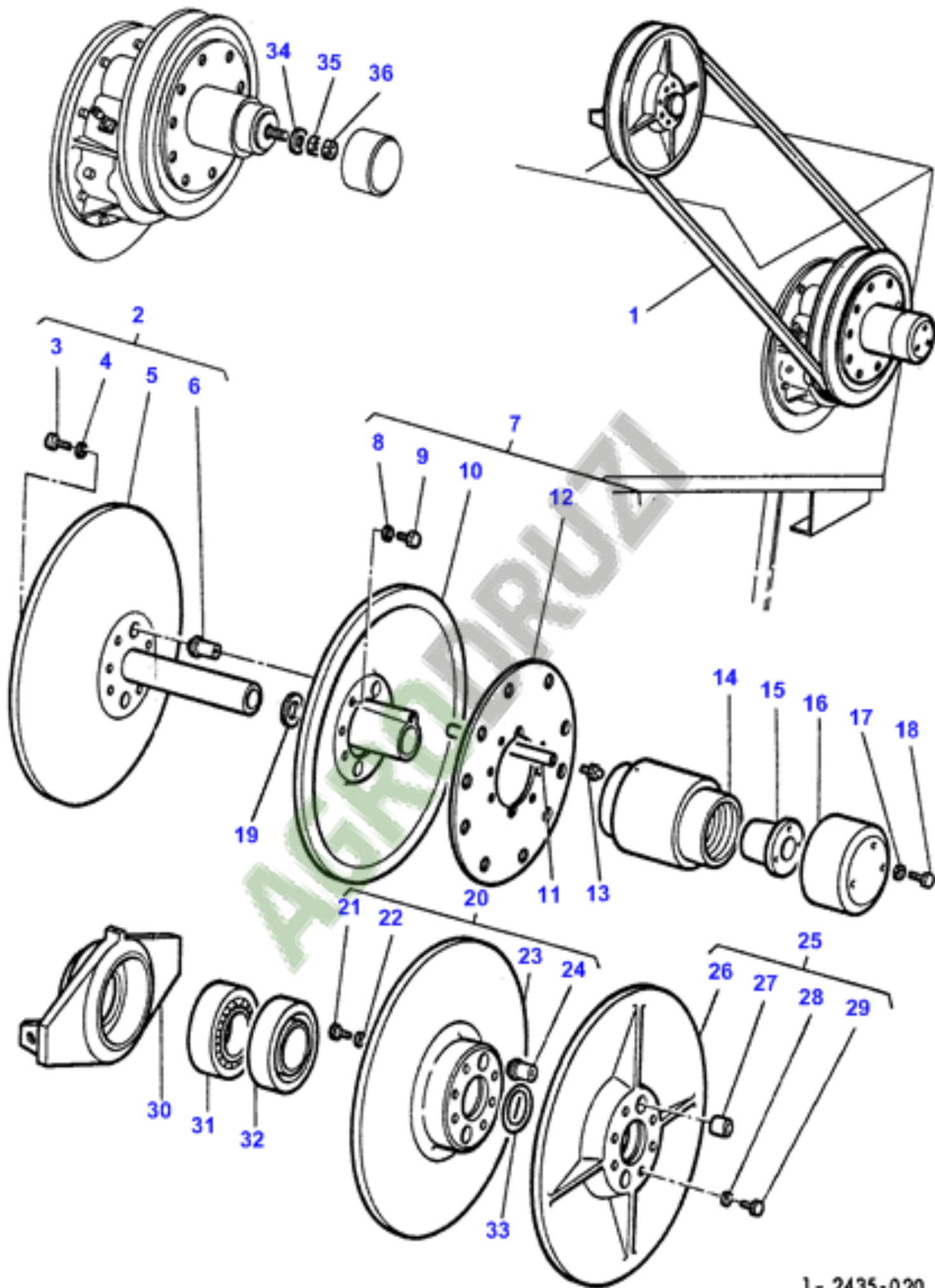


1-2485-008

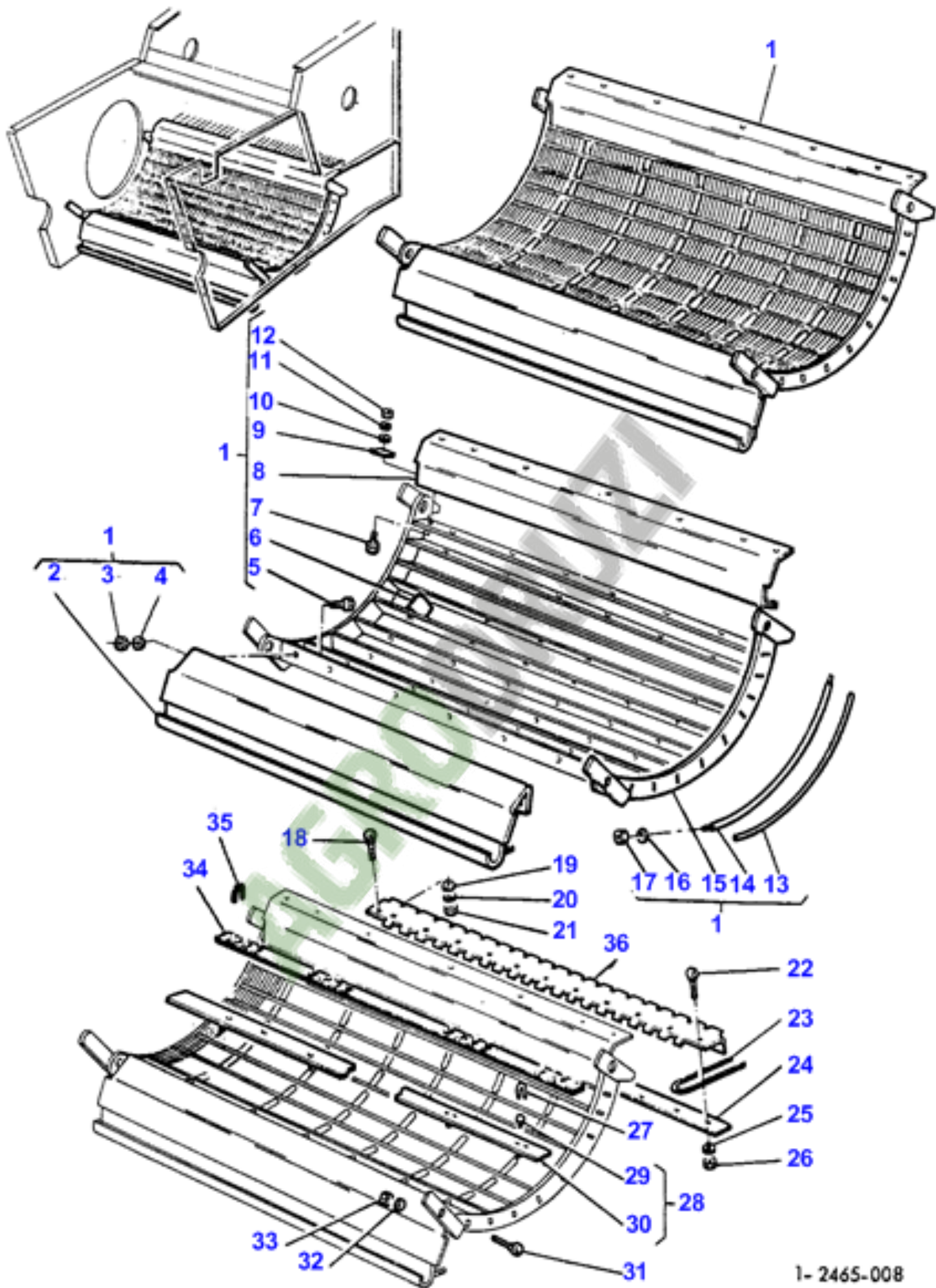




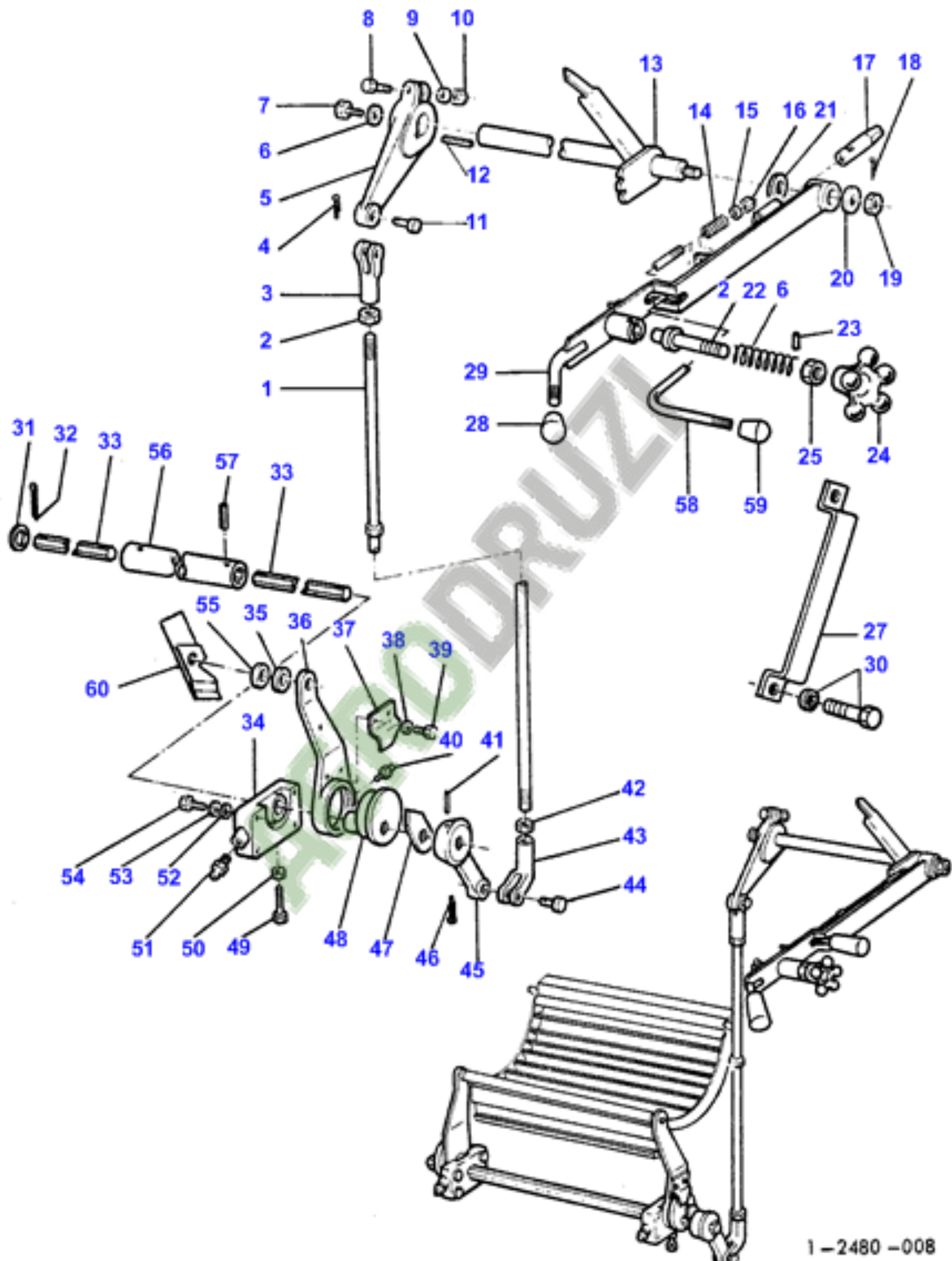
1-2435-004



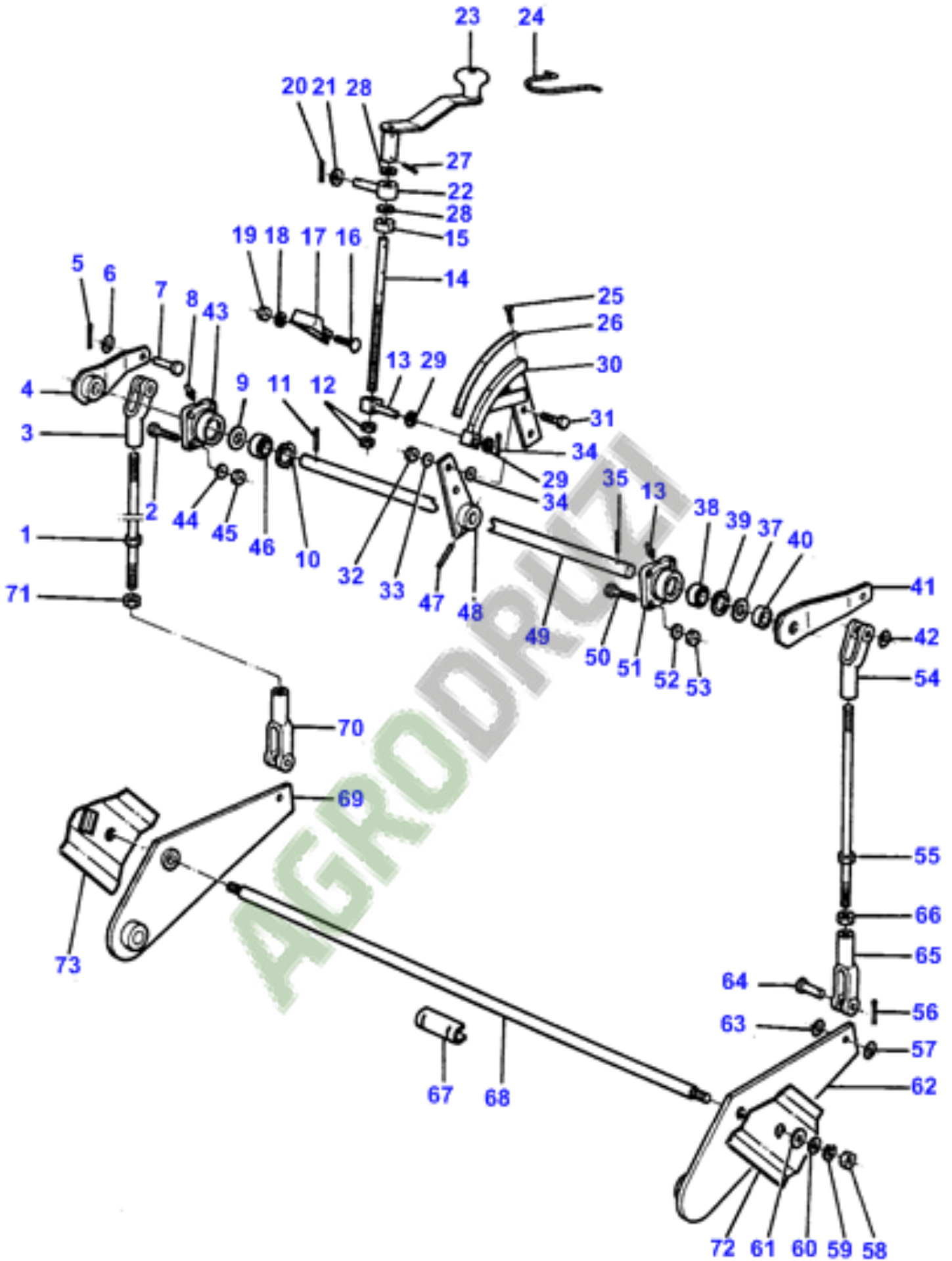
1- 2435-020



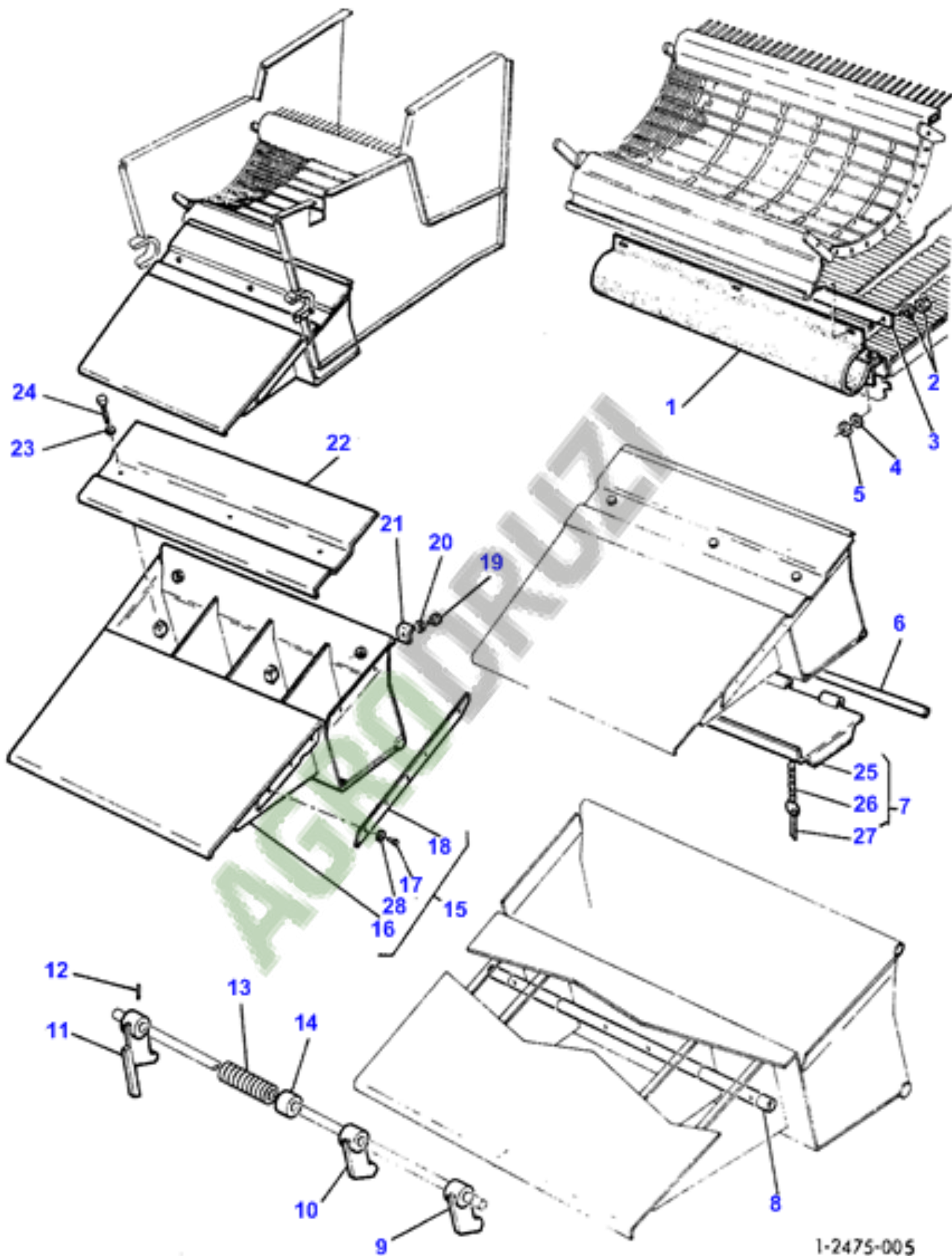
1- 2465-008



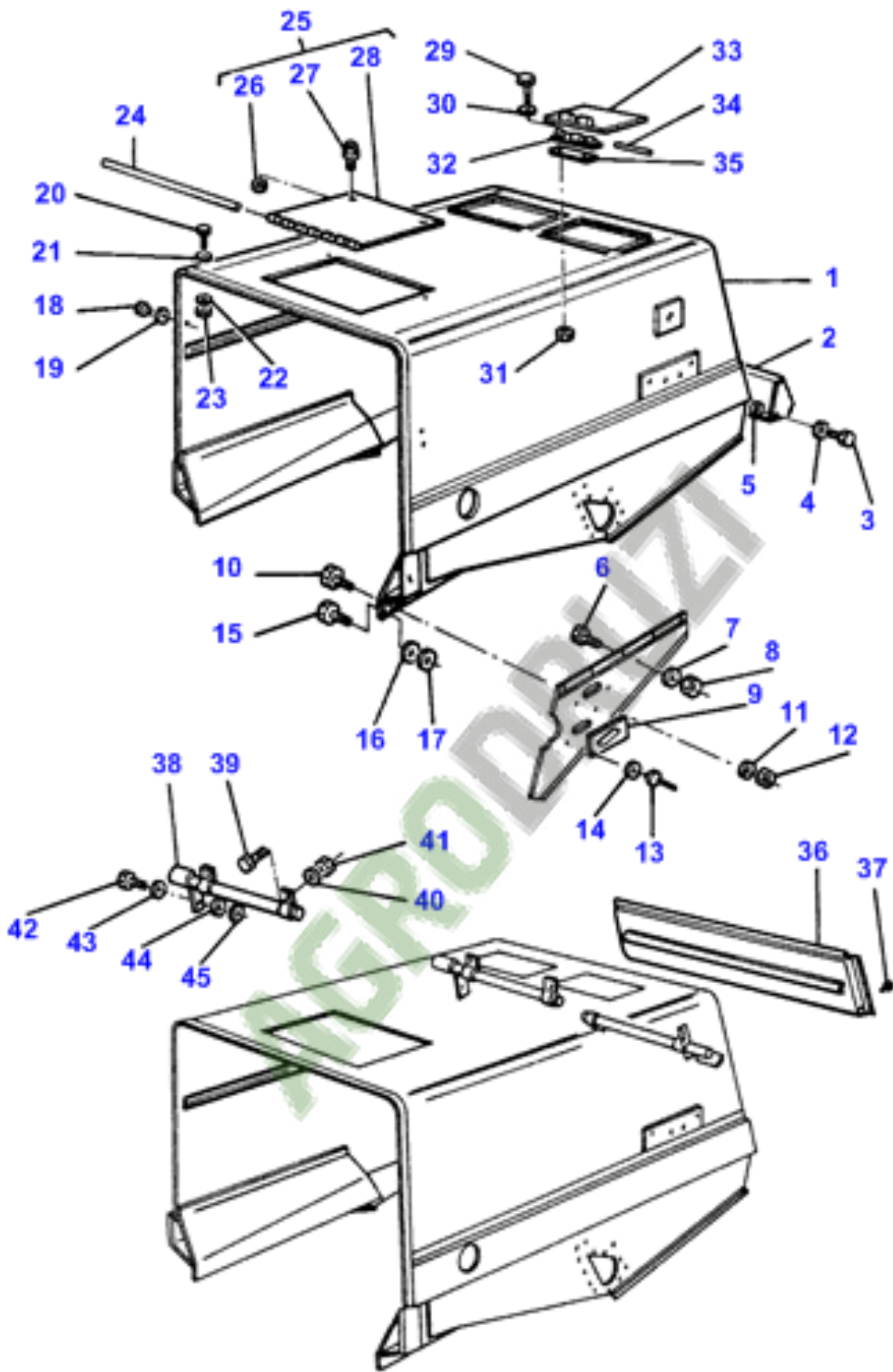
1-2480-008



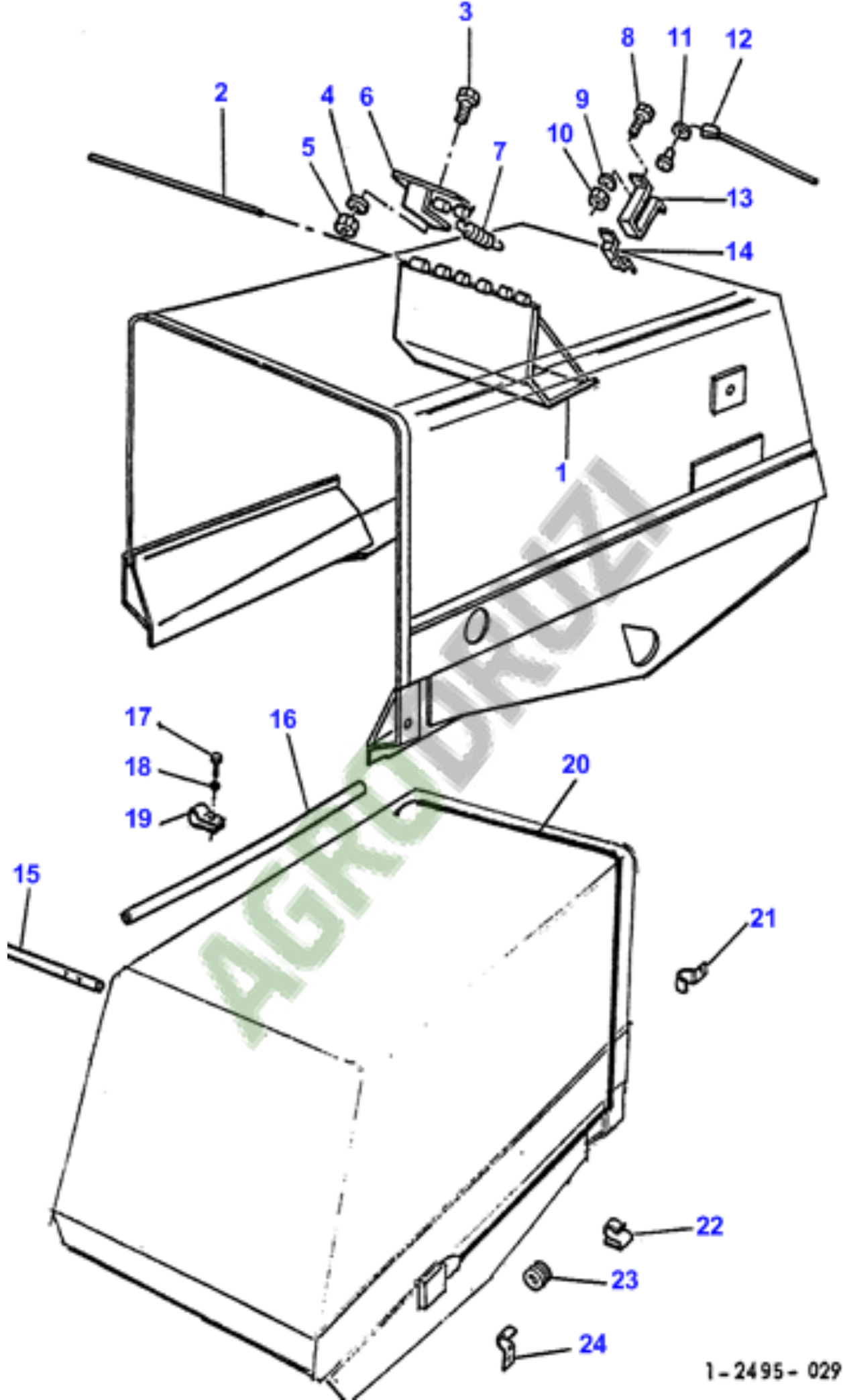
1-2480-010



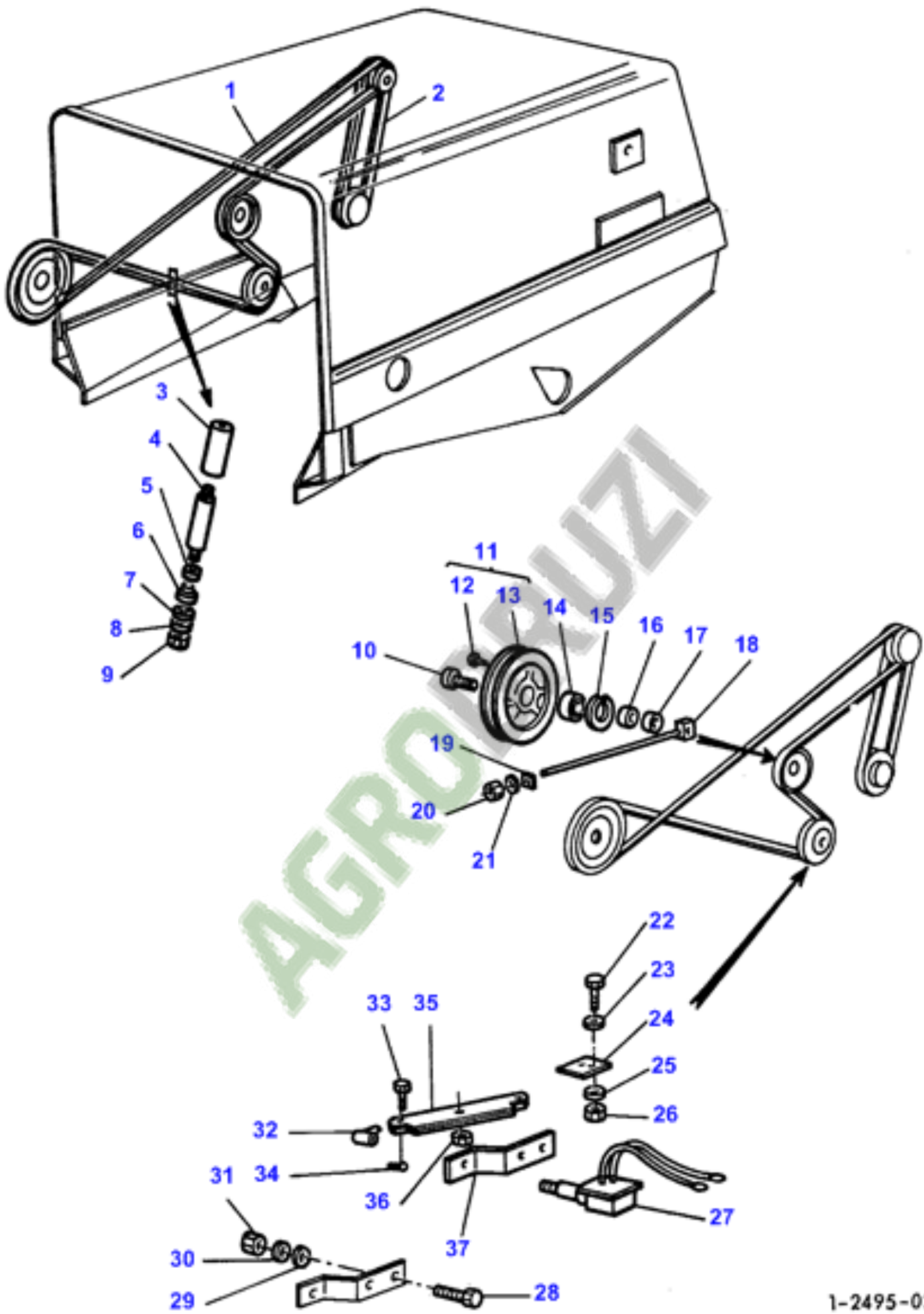
1-2475-005



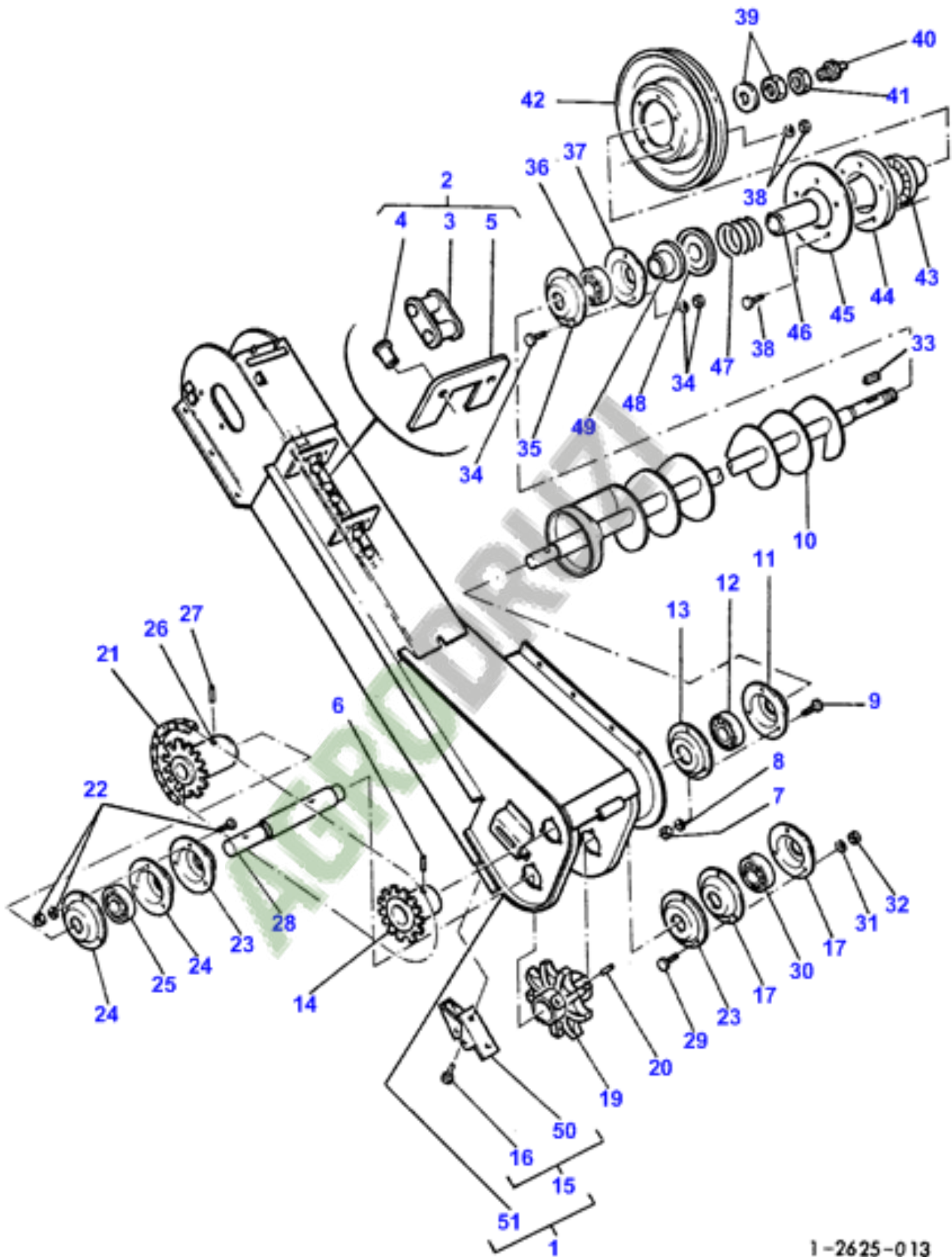
1-2495-024



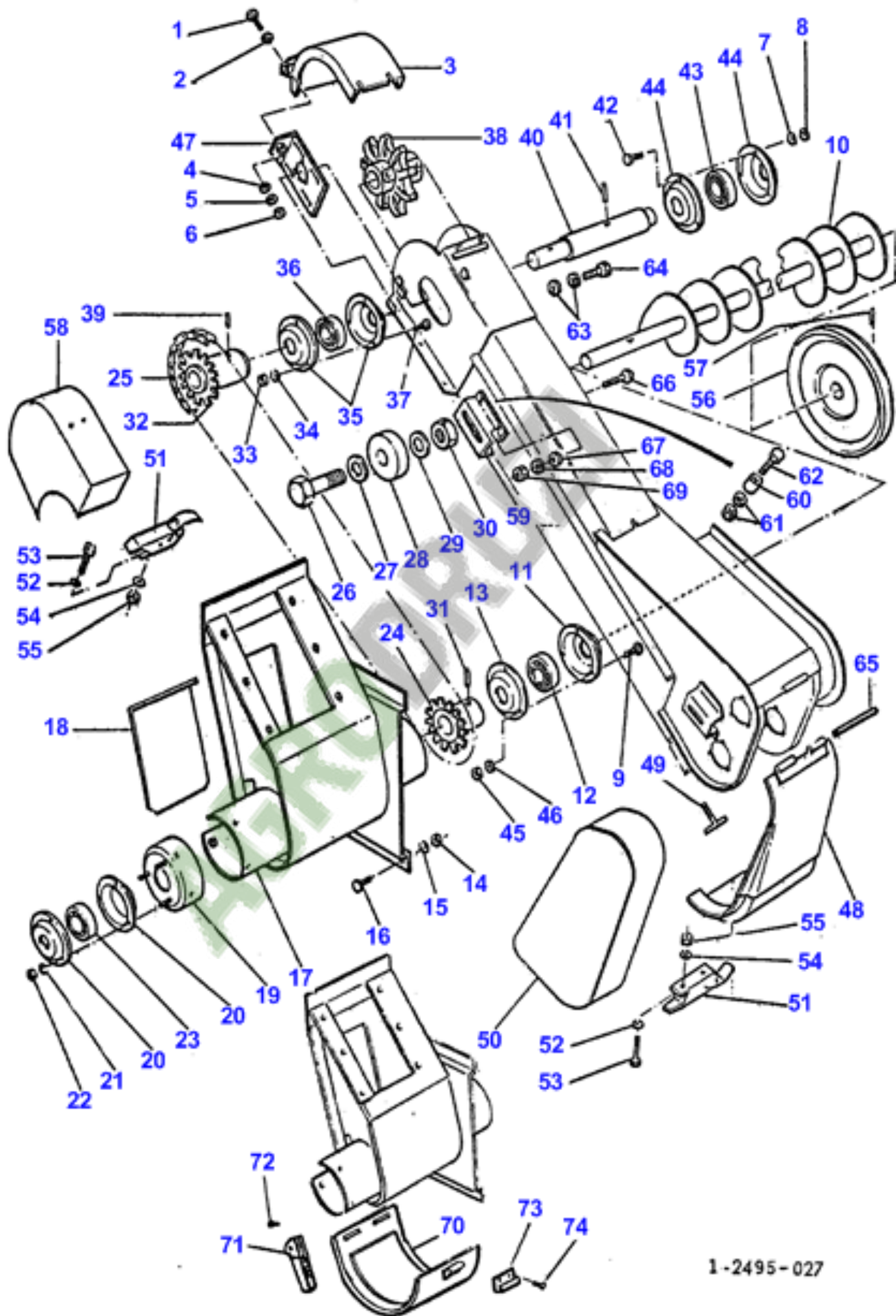
1-2495-029



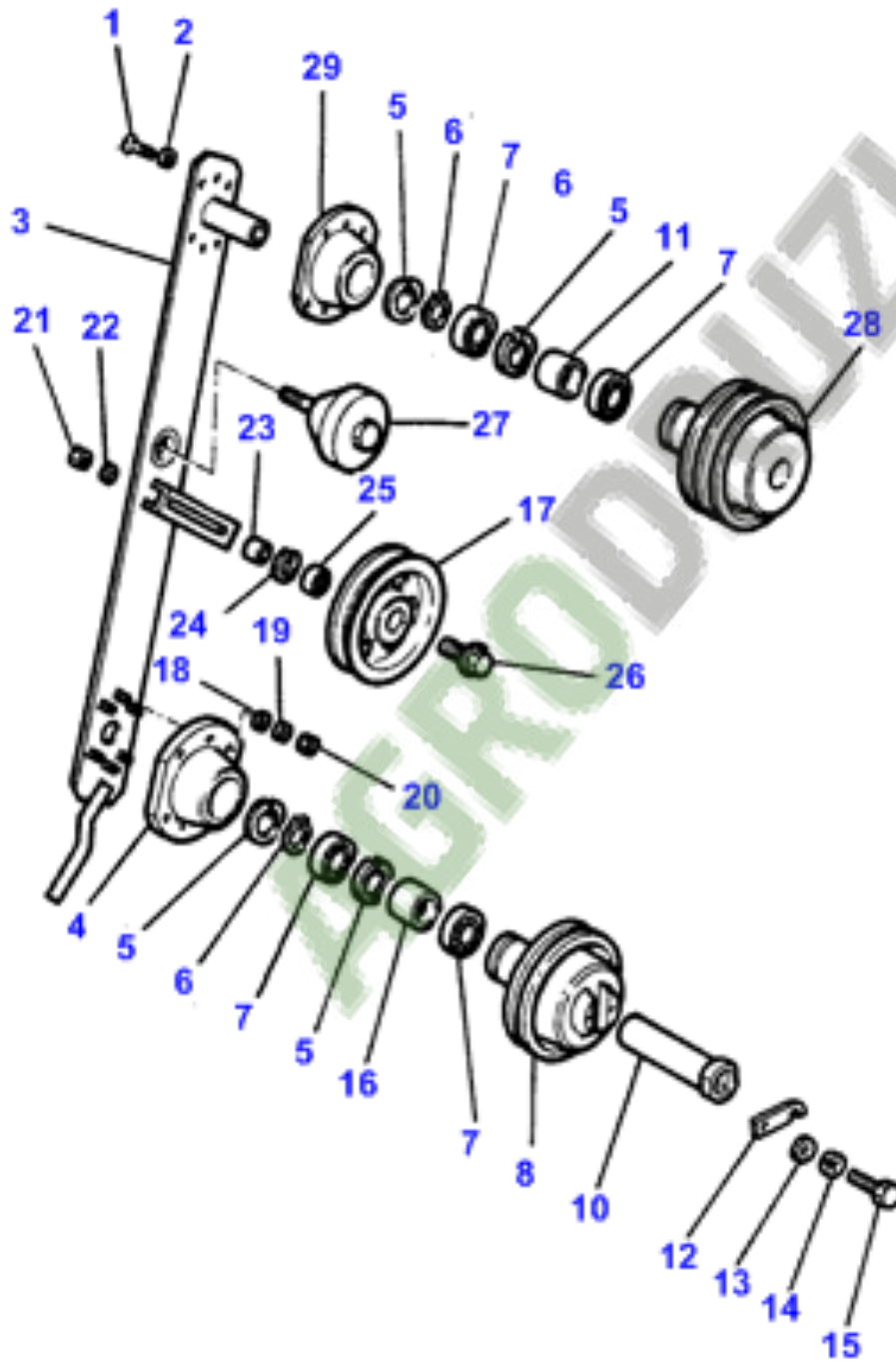
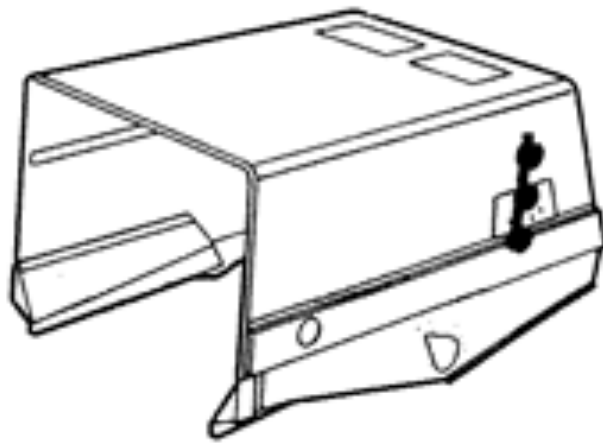
1-2495-026



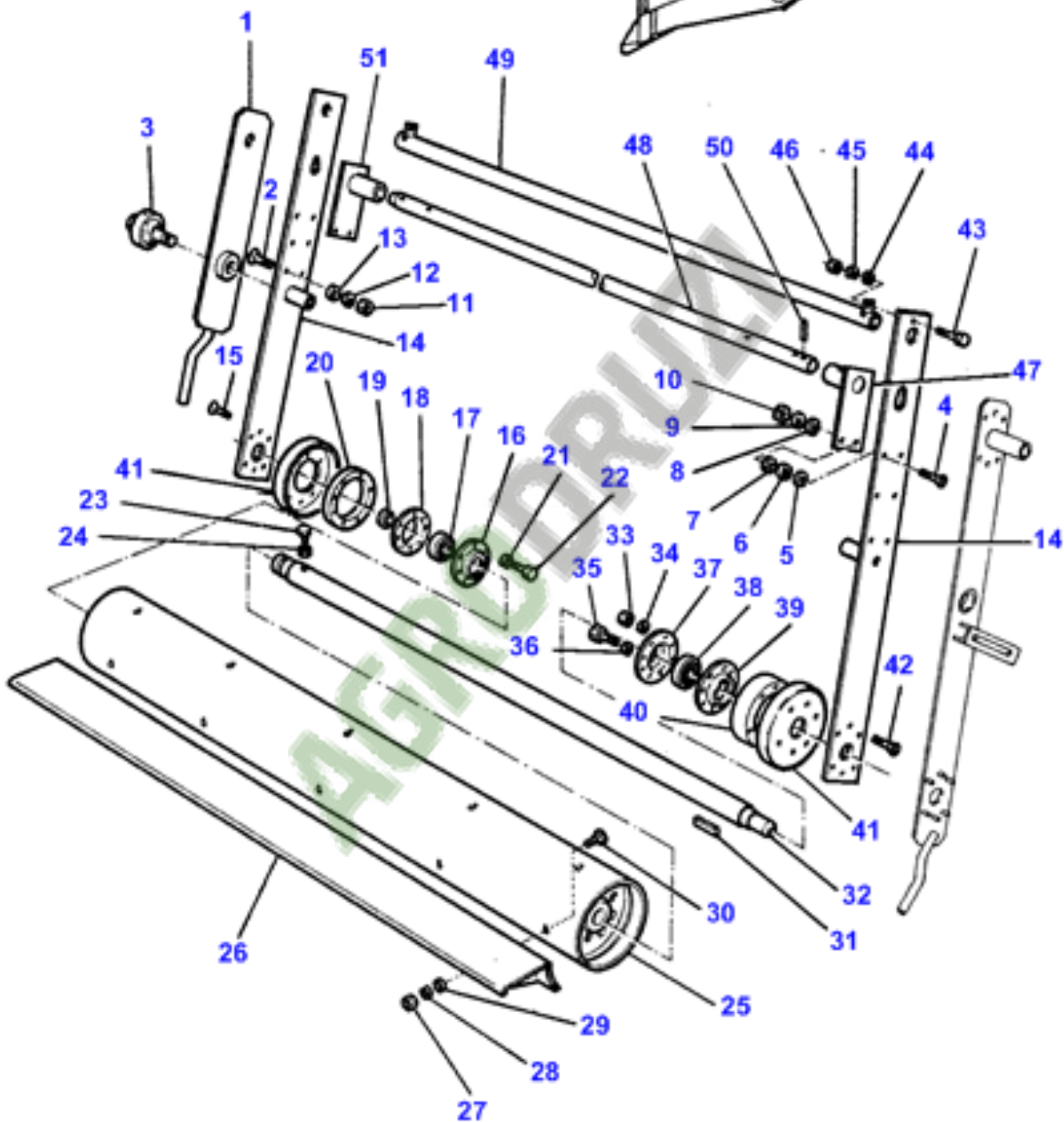
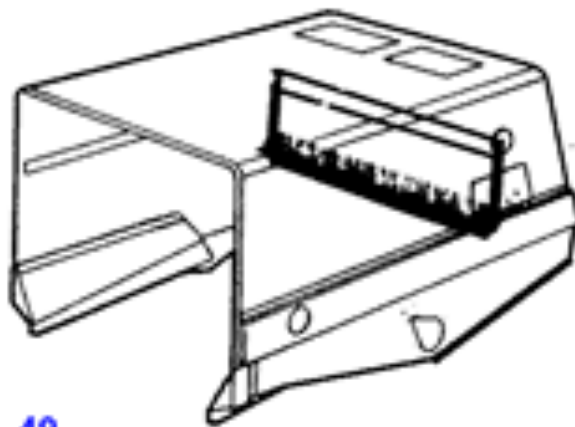
1-2625-013



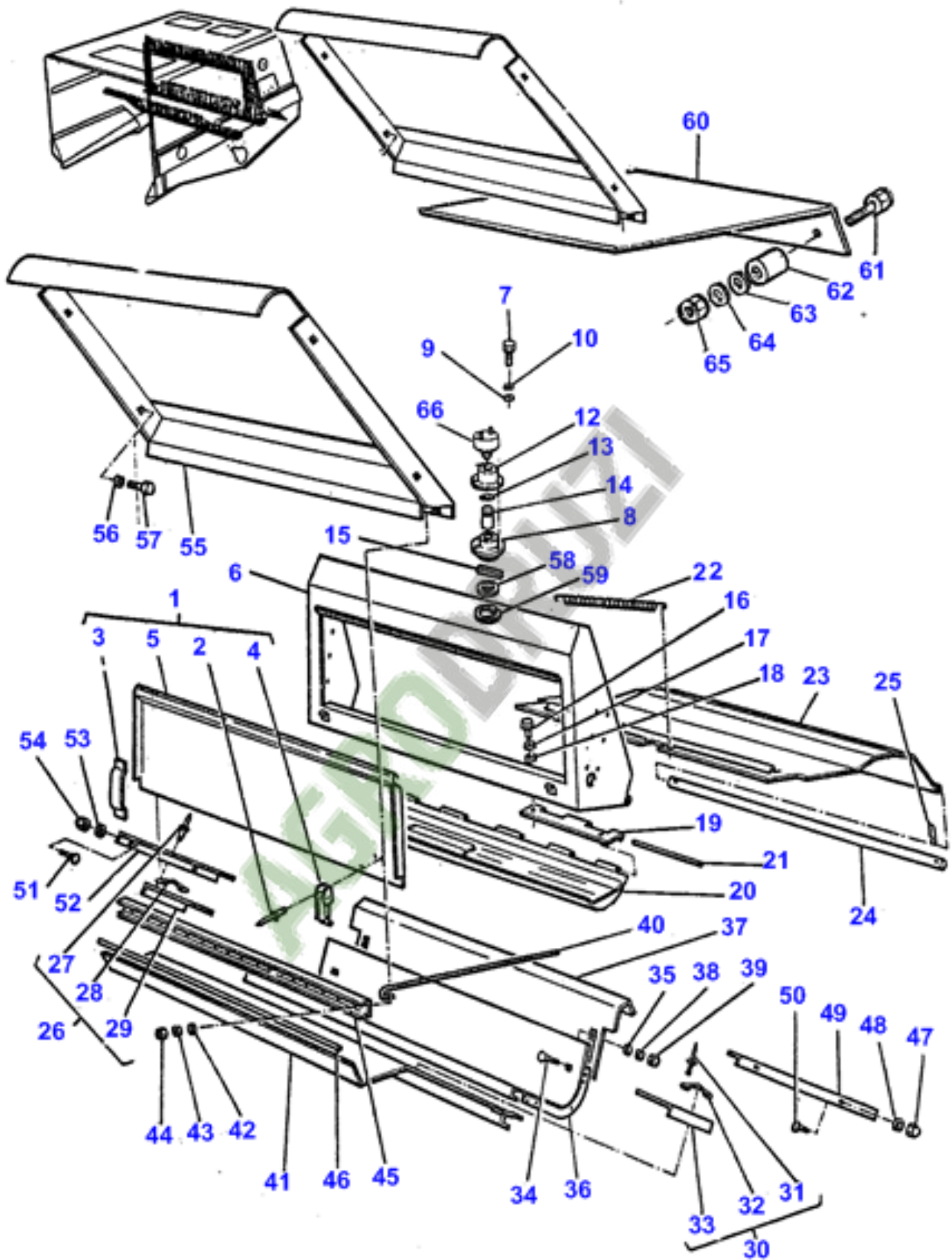
1-2495-027



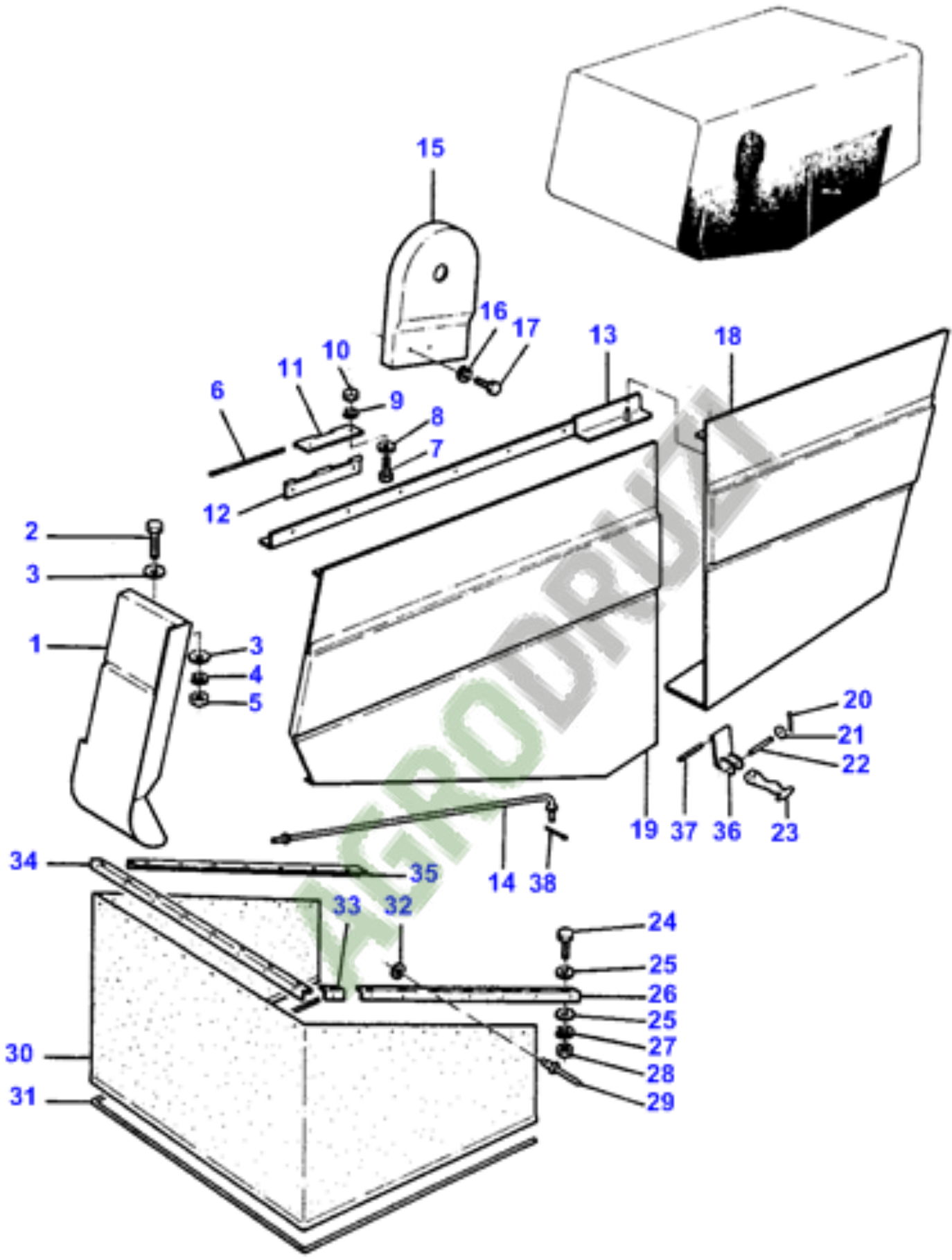
1-2495-0-11



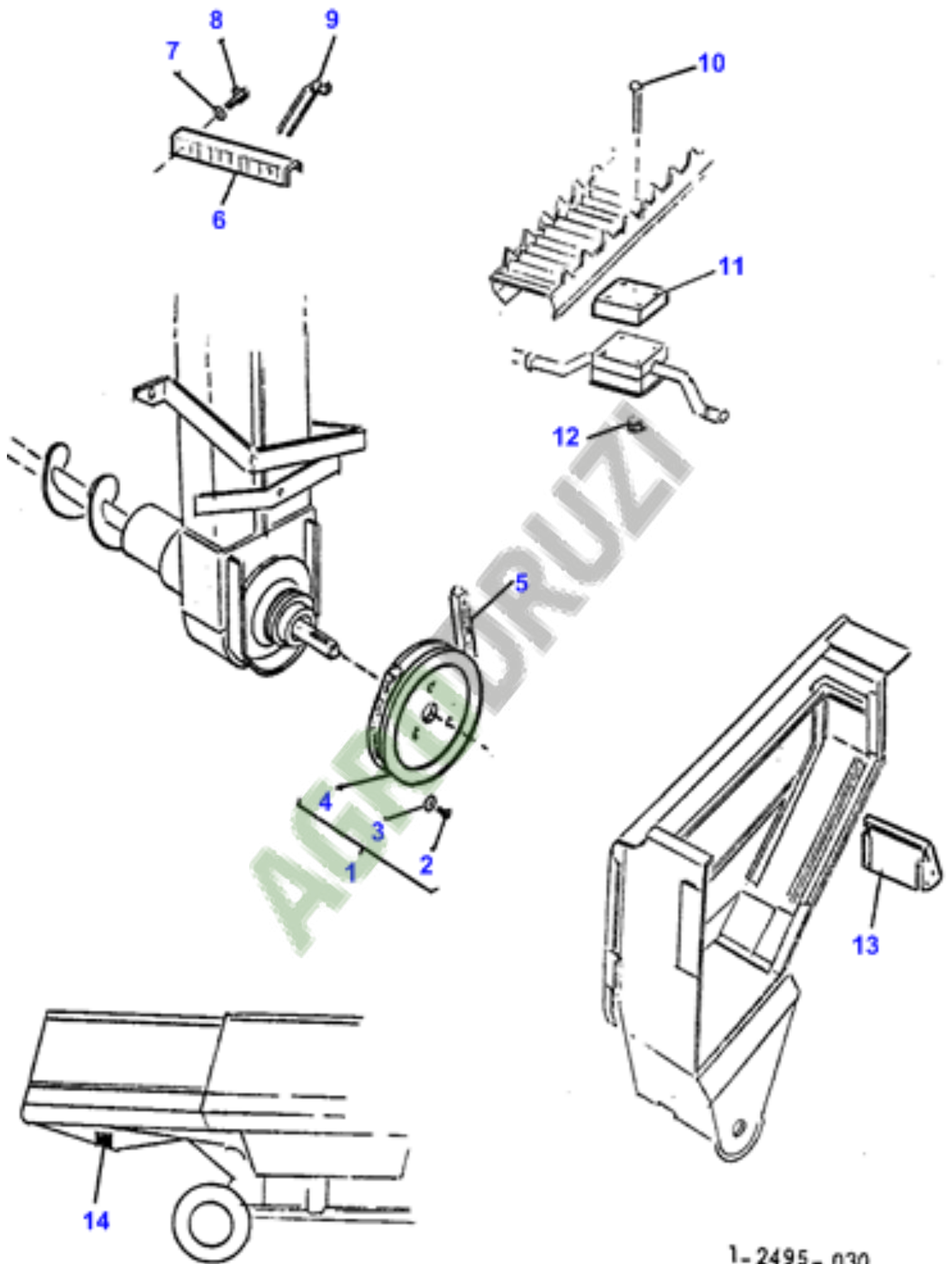
1-2495-002



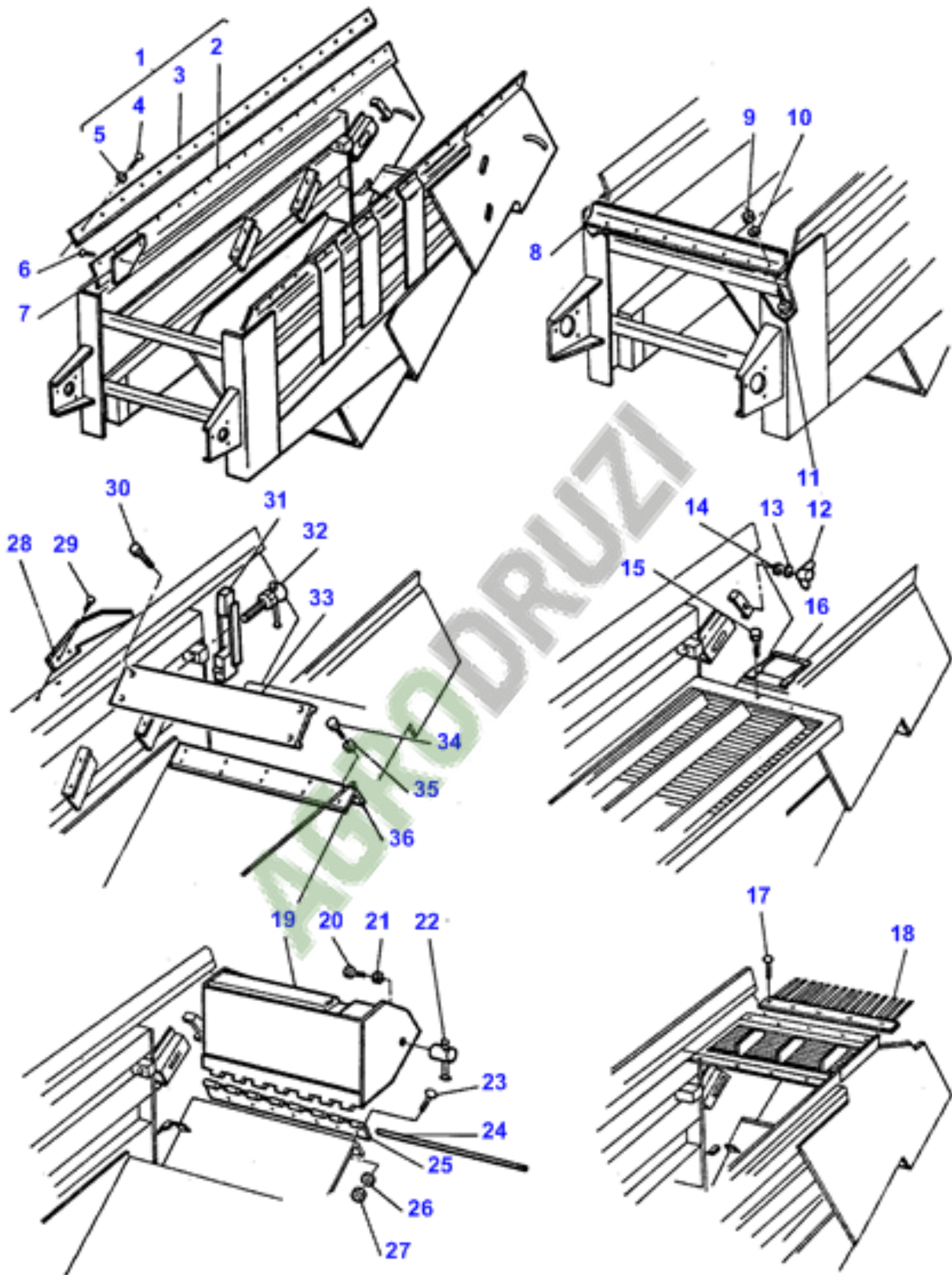
1-2495-028



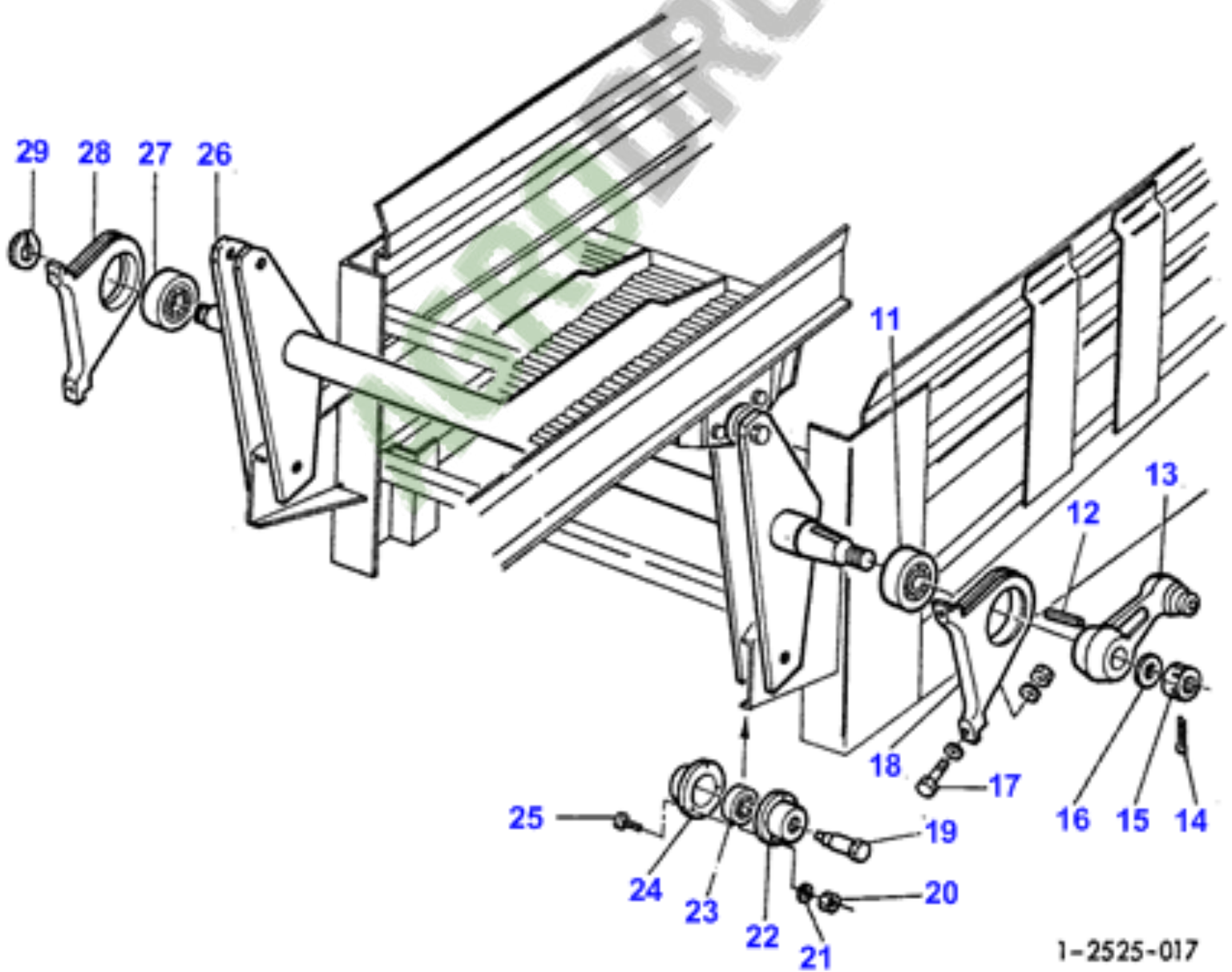
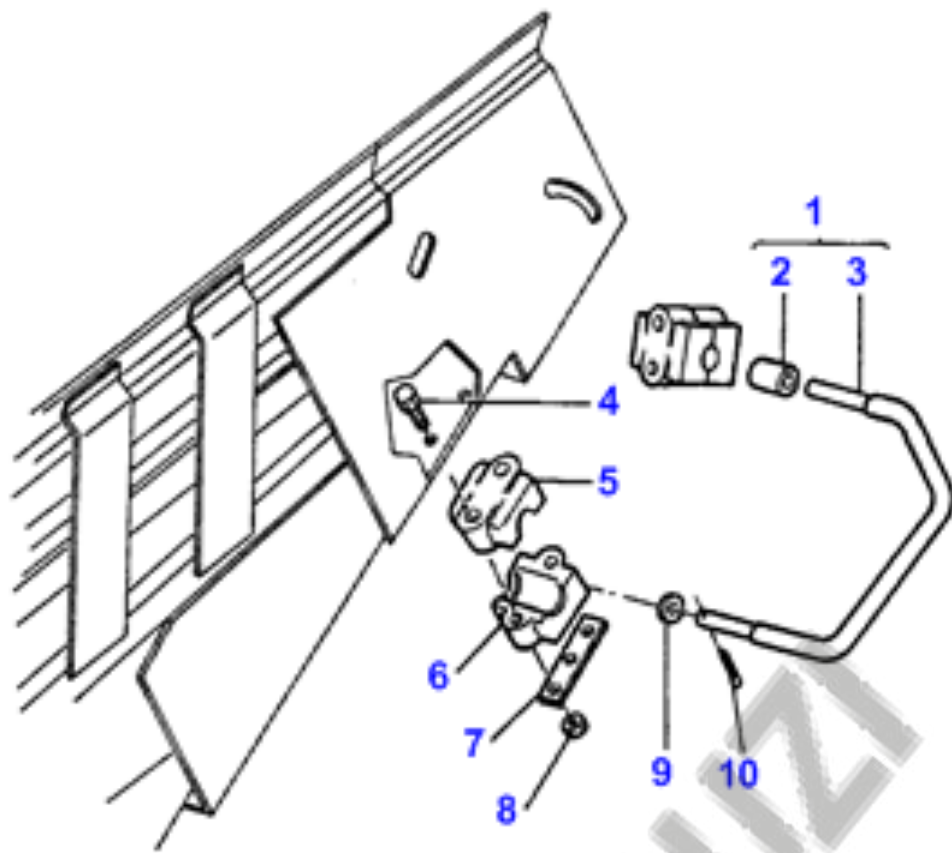
1-2495-010



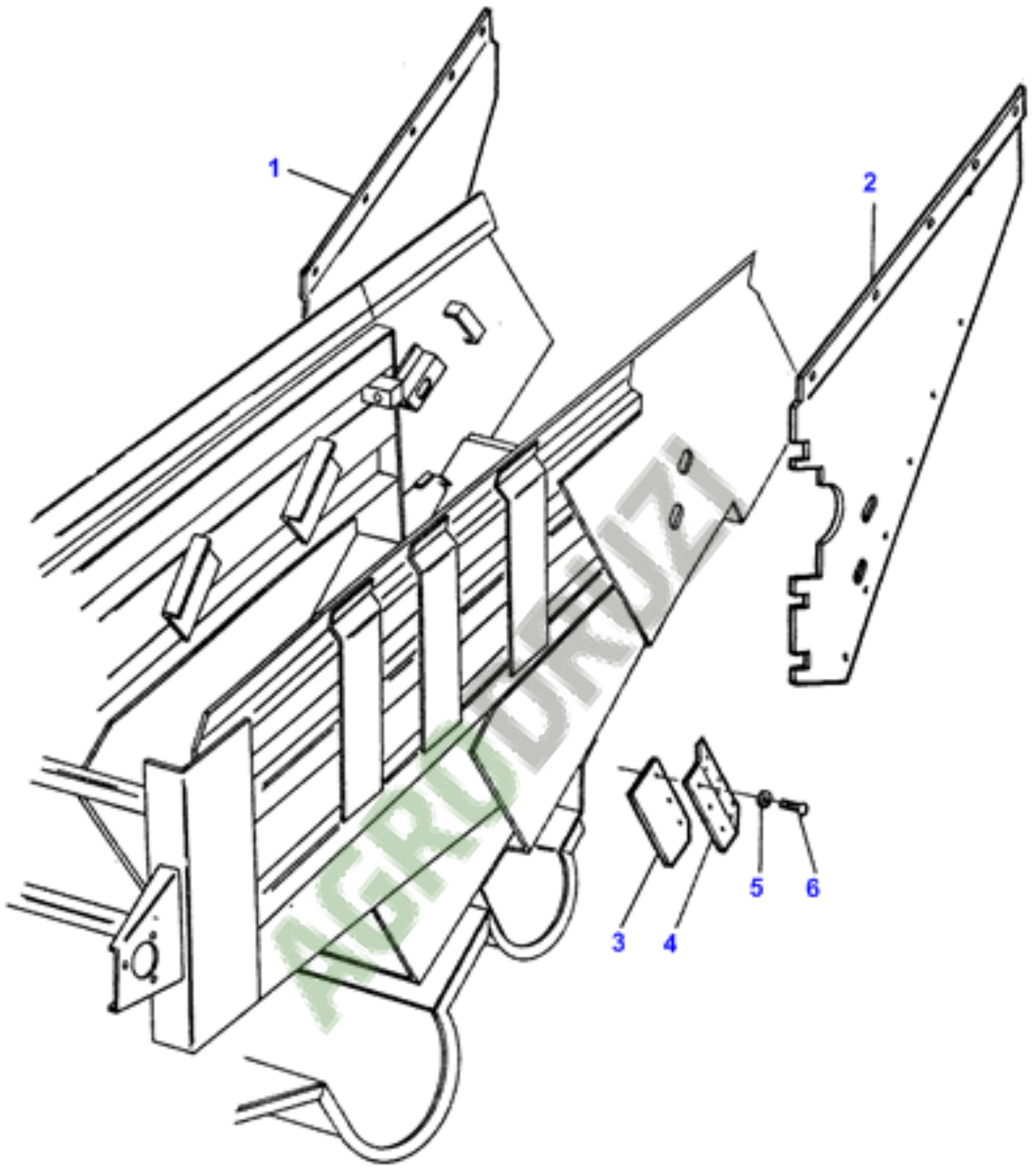
1-2495-030



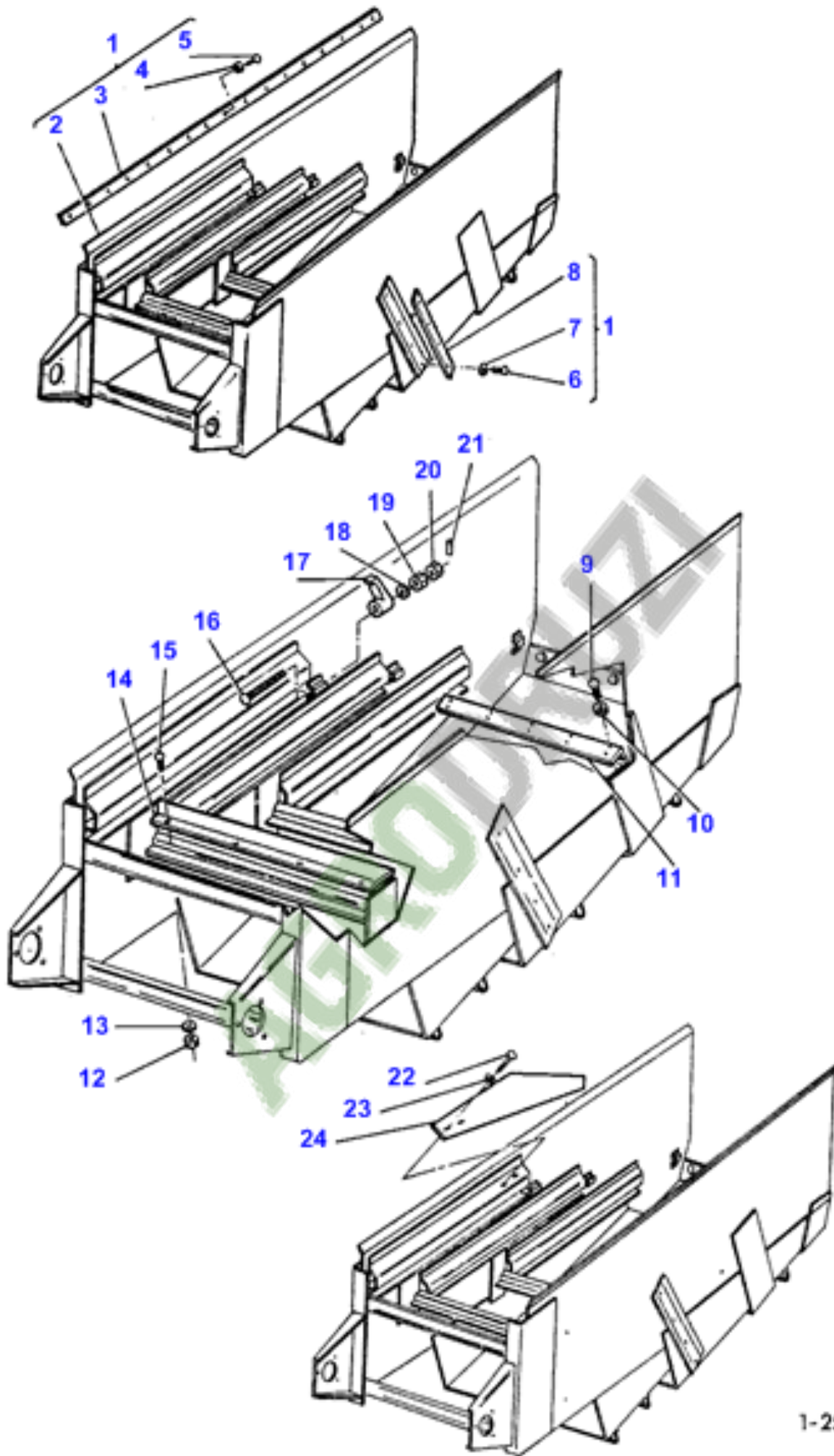
1- 2525-016



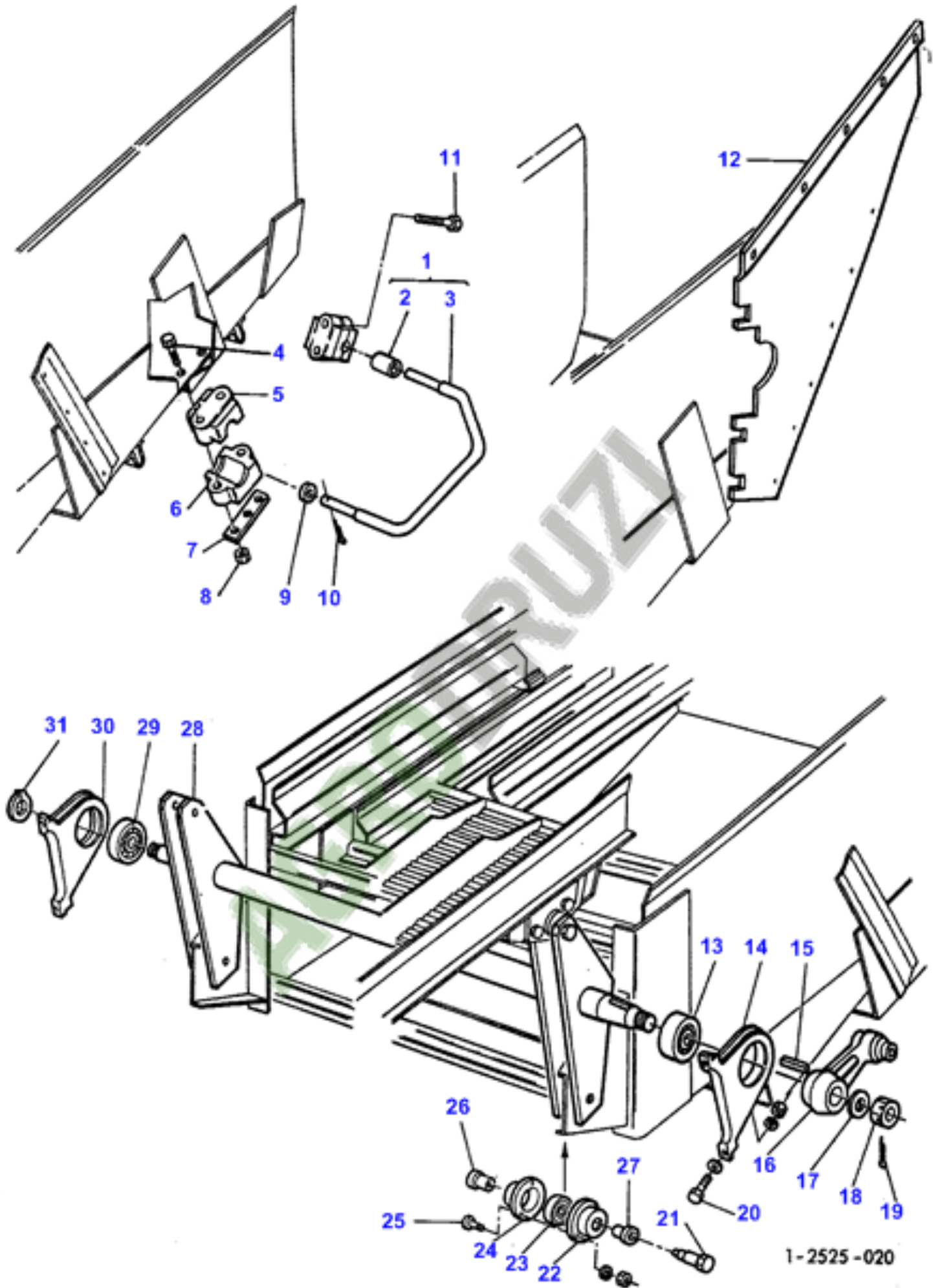
1-2525-017

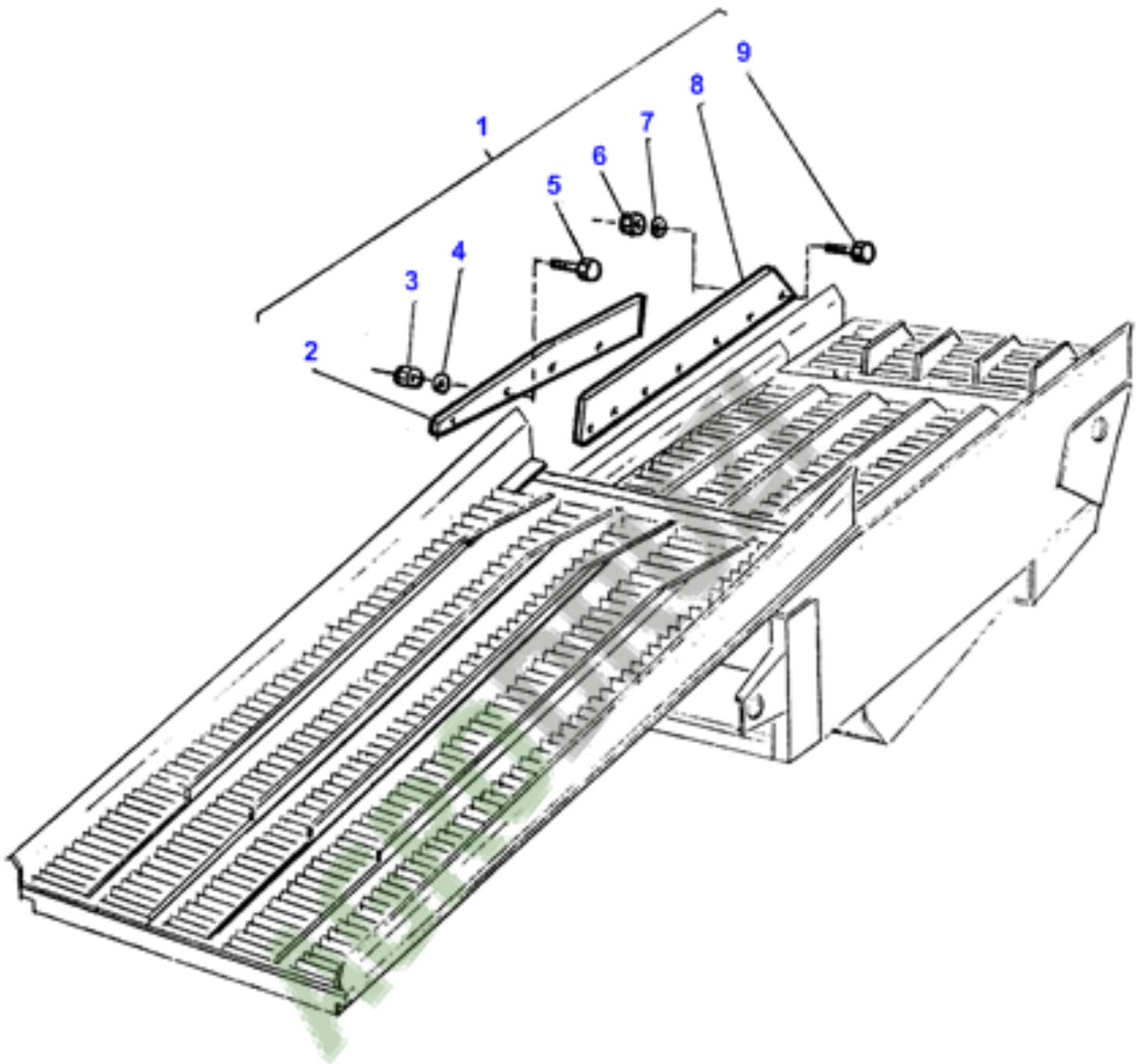


1-2525-018

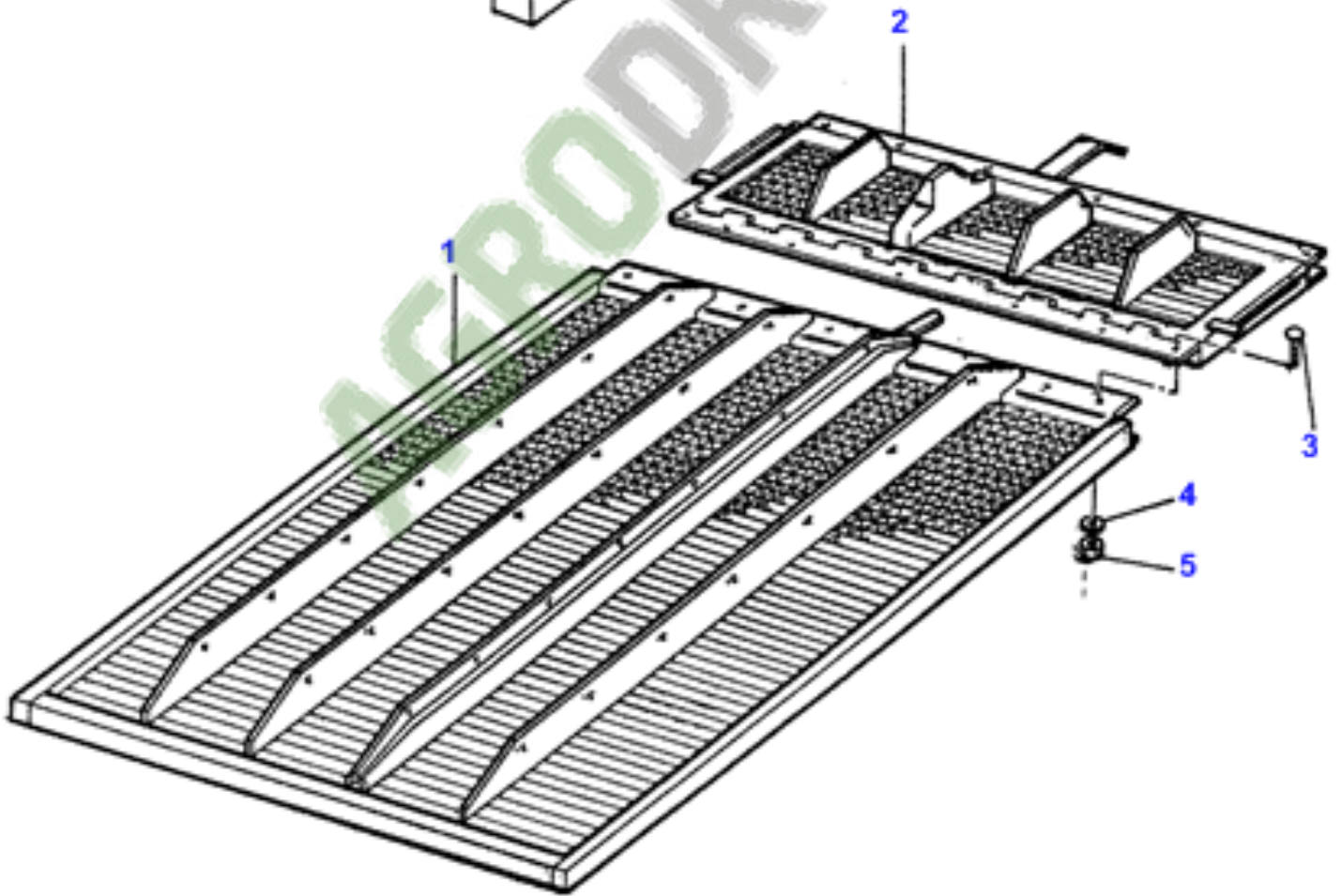
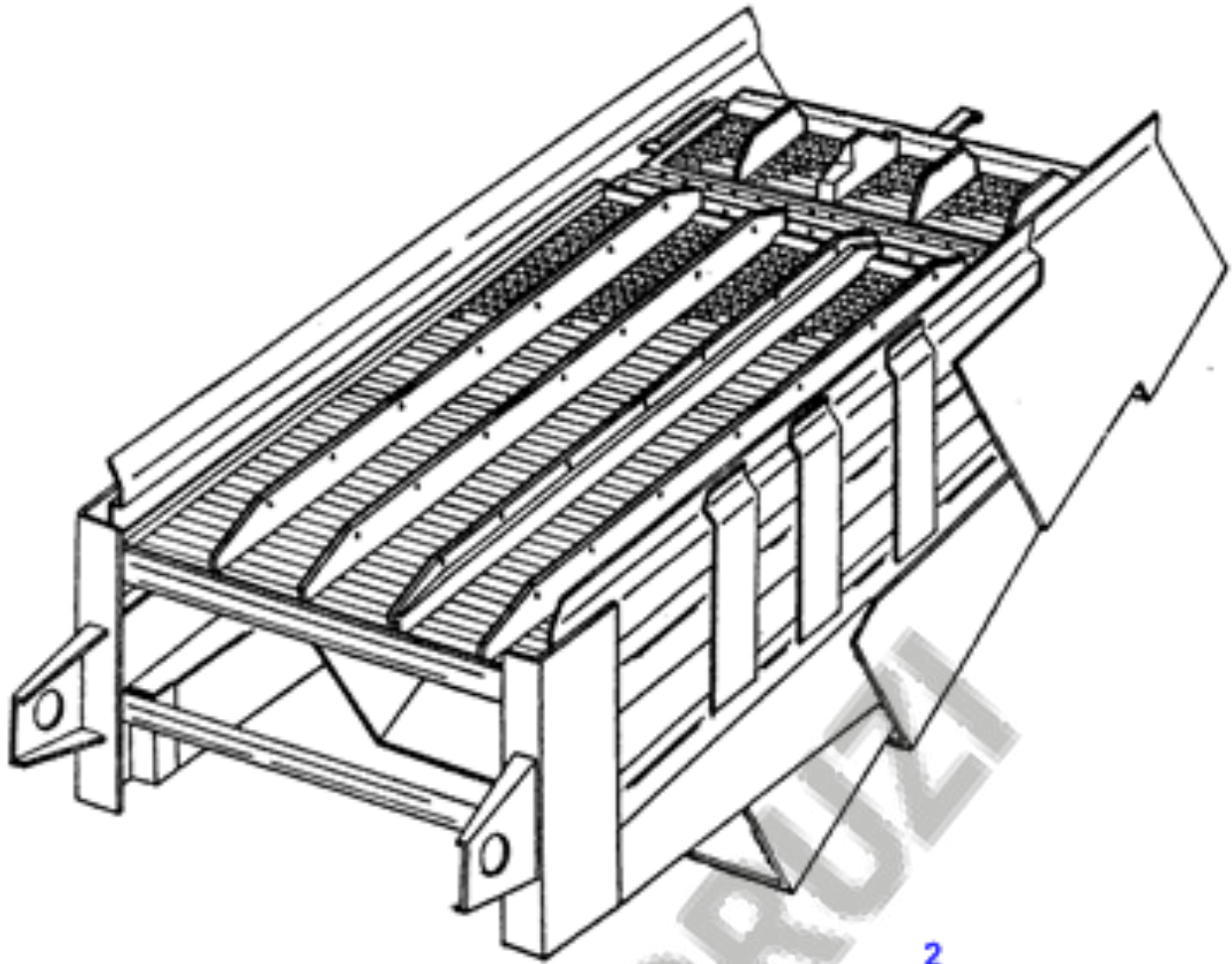


1-2525-019

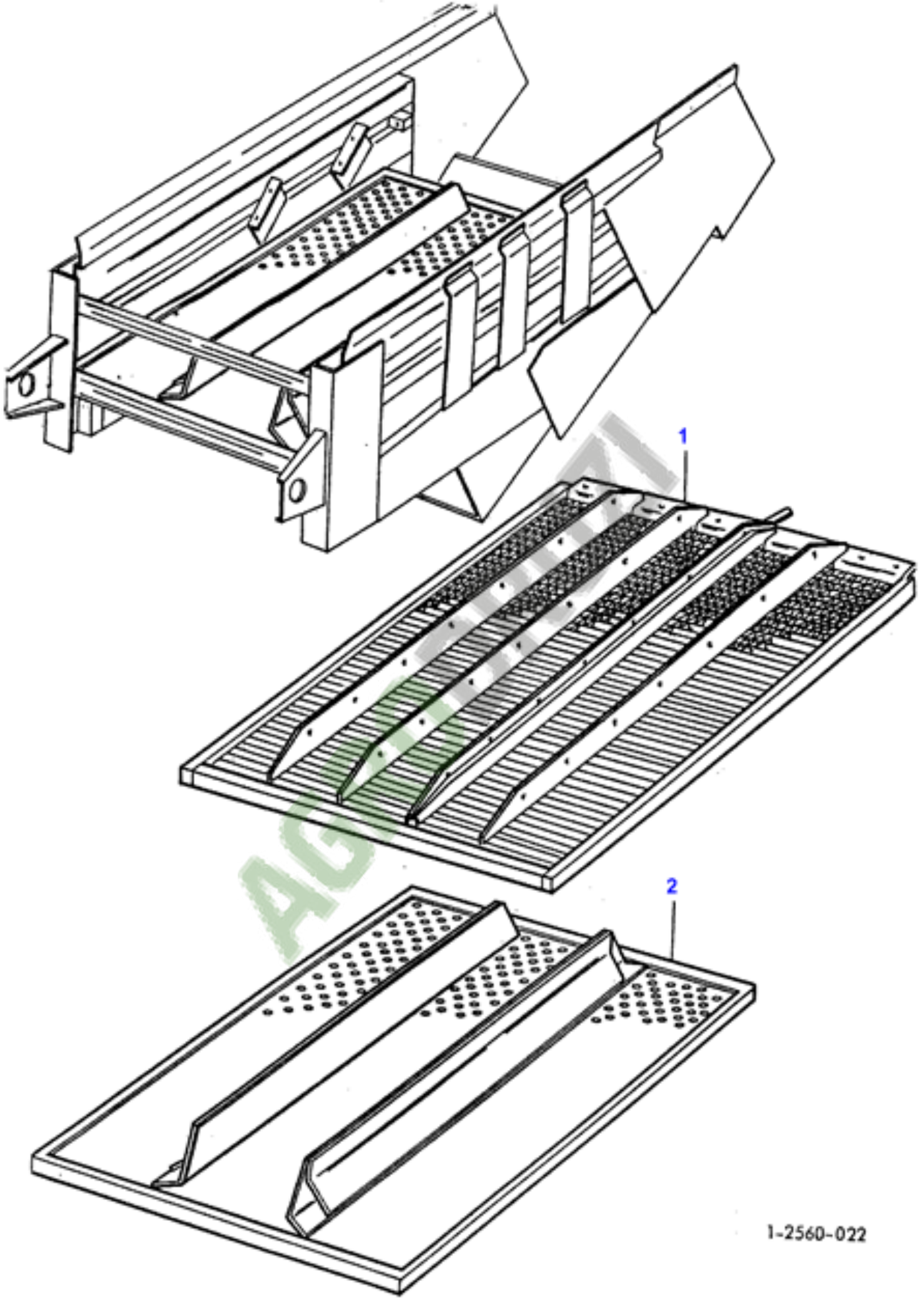




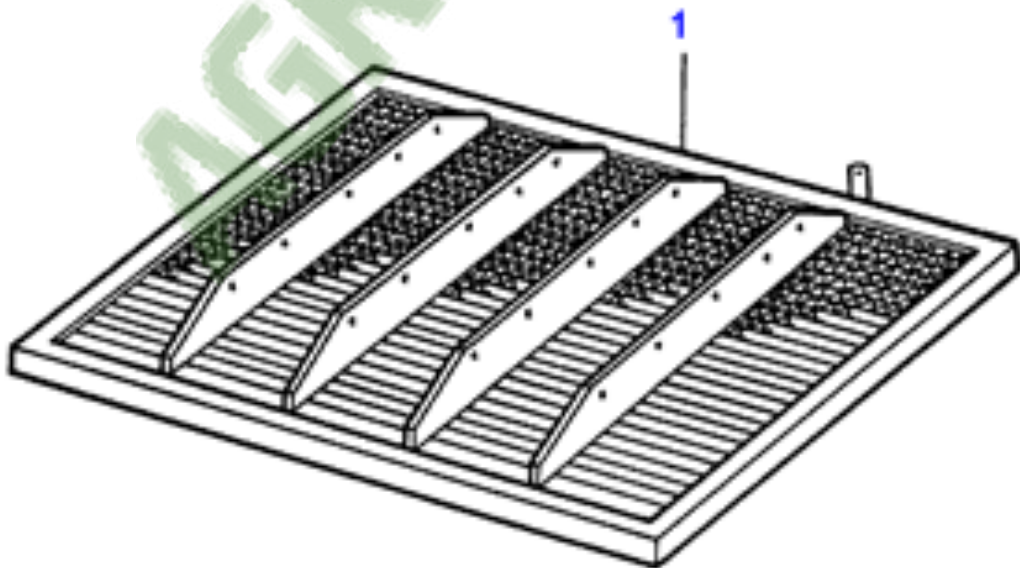
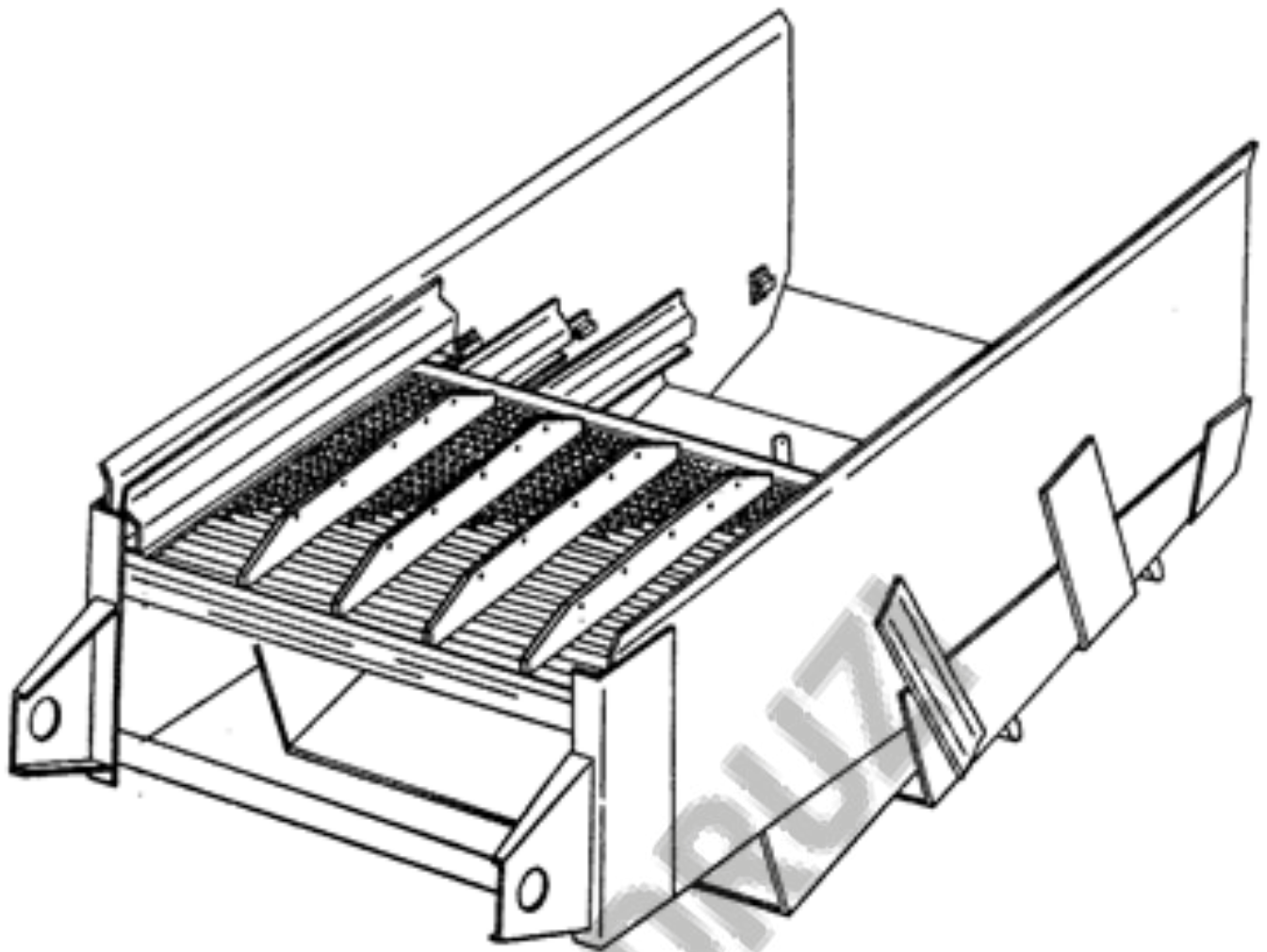
1-2525-015



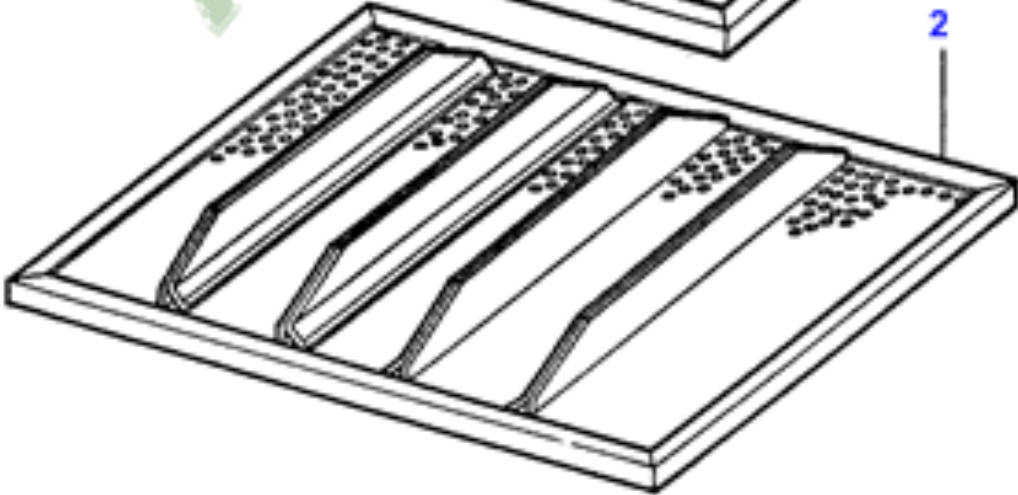
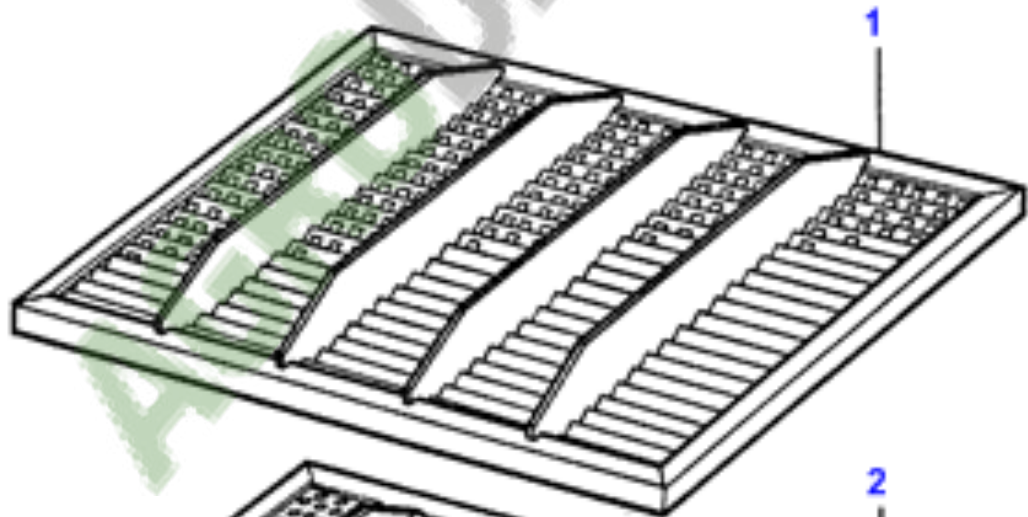
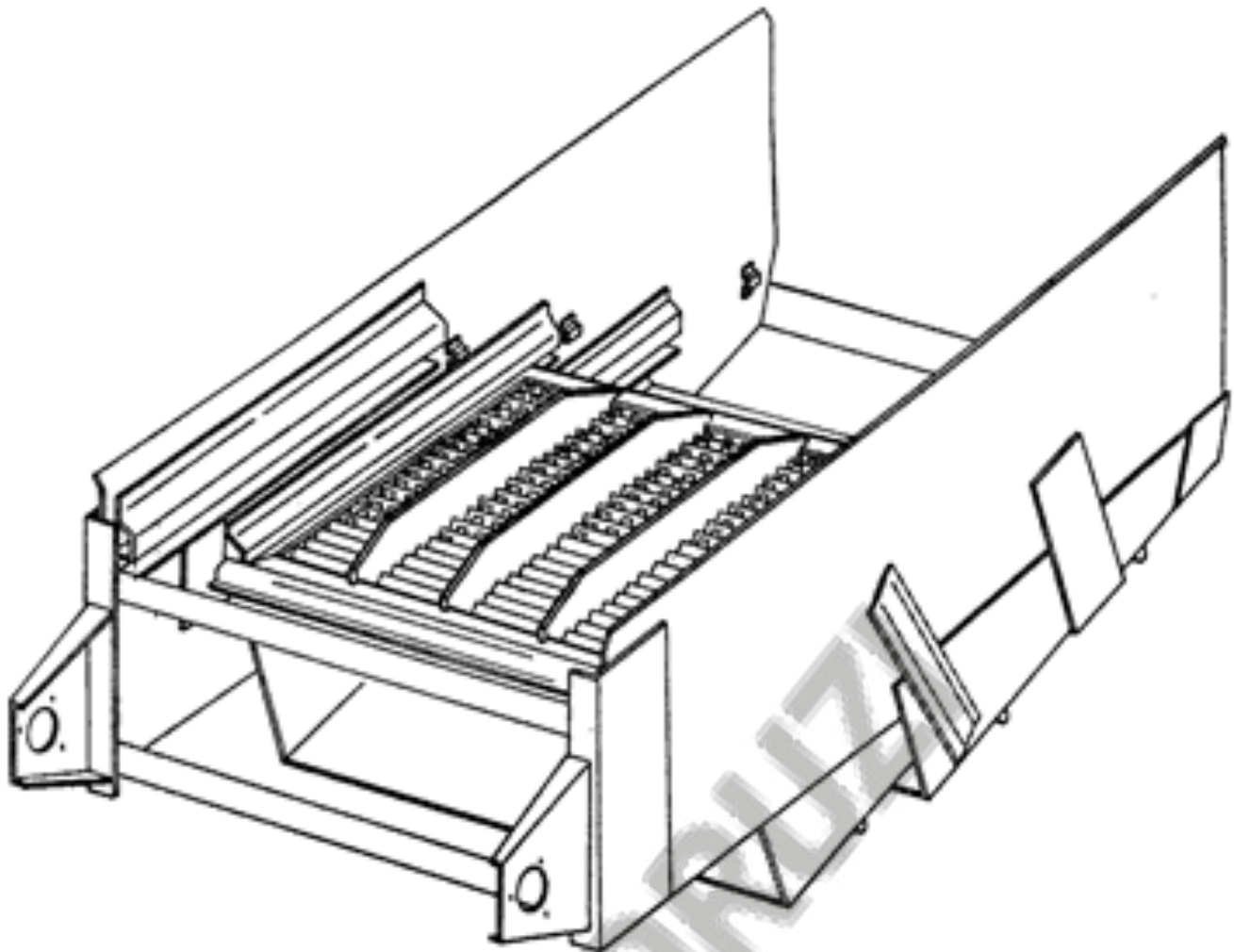
1-2560-019



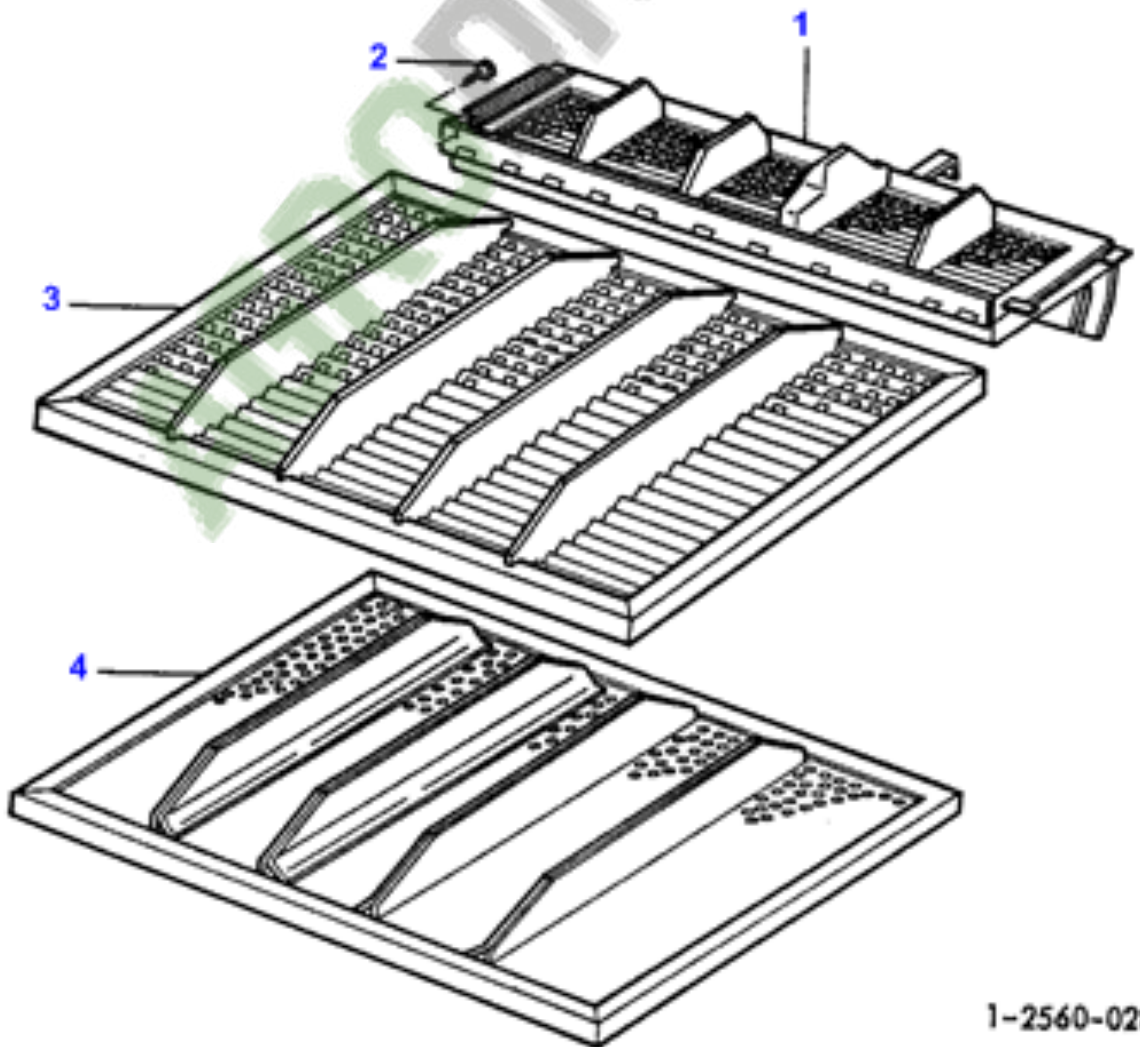
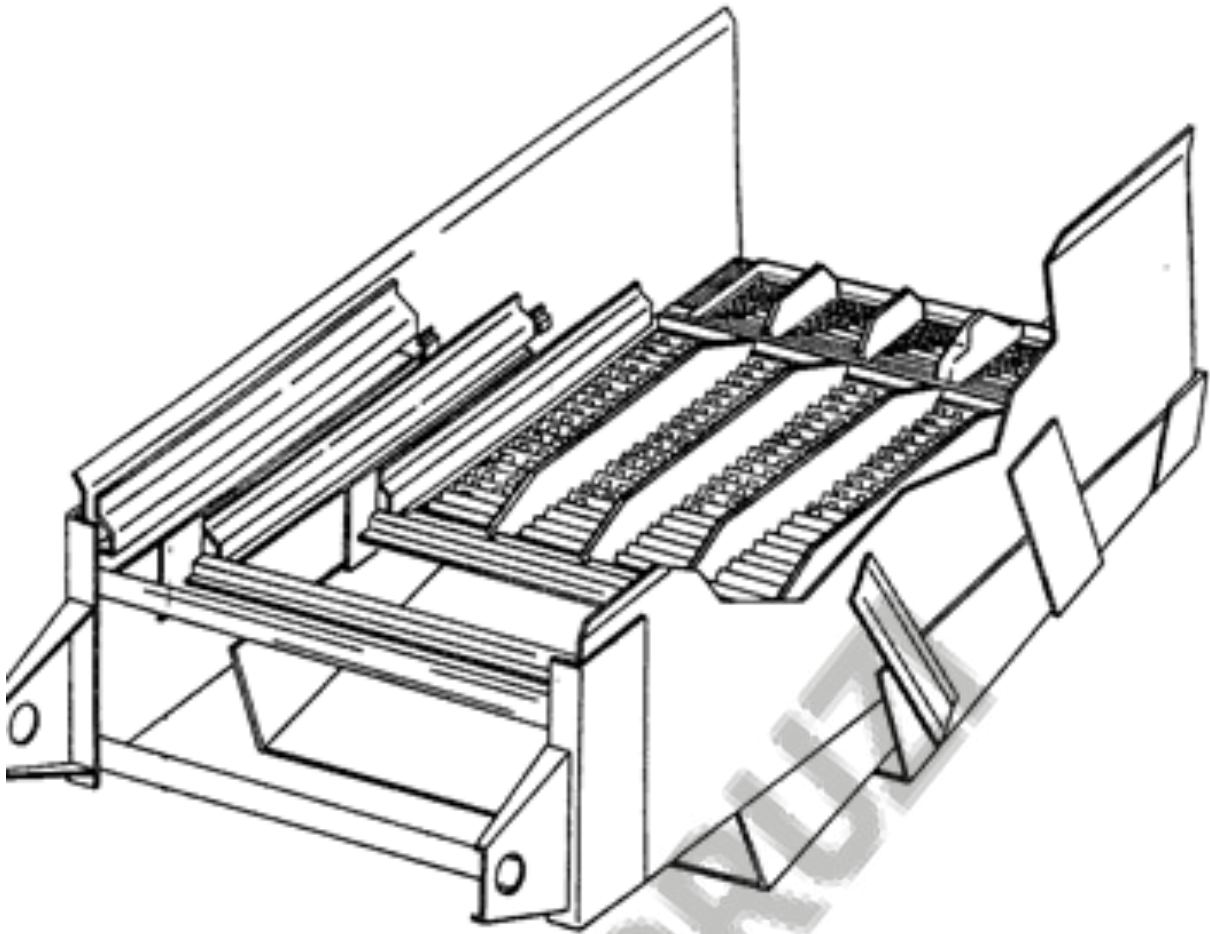
1-2560-022



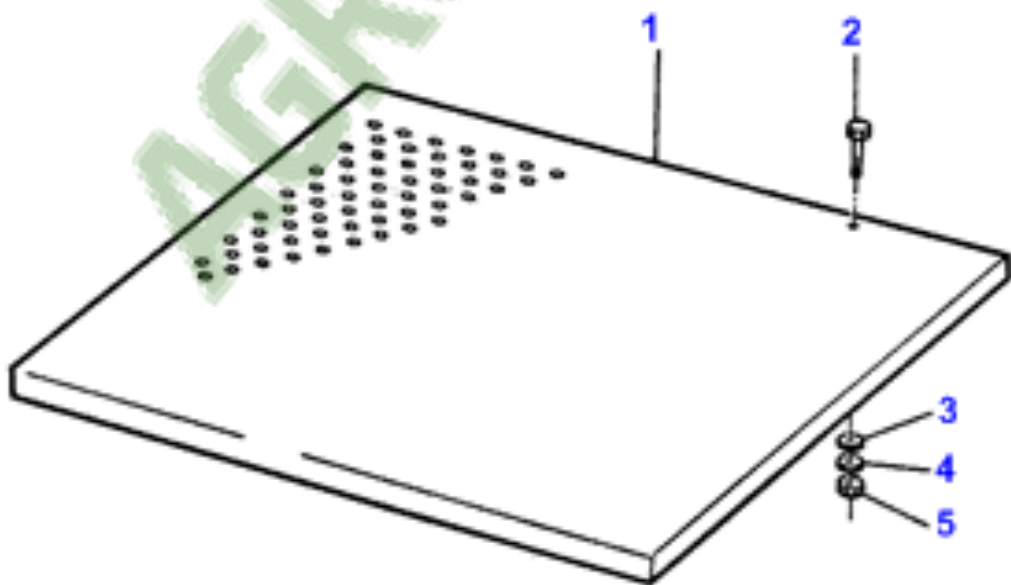
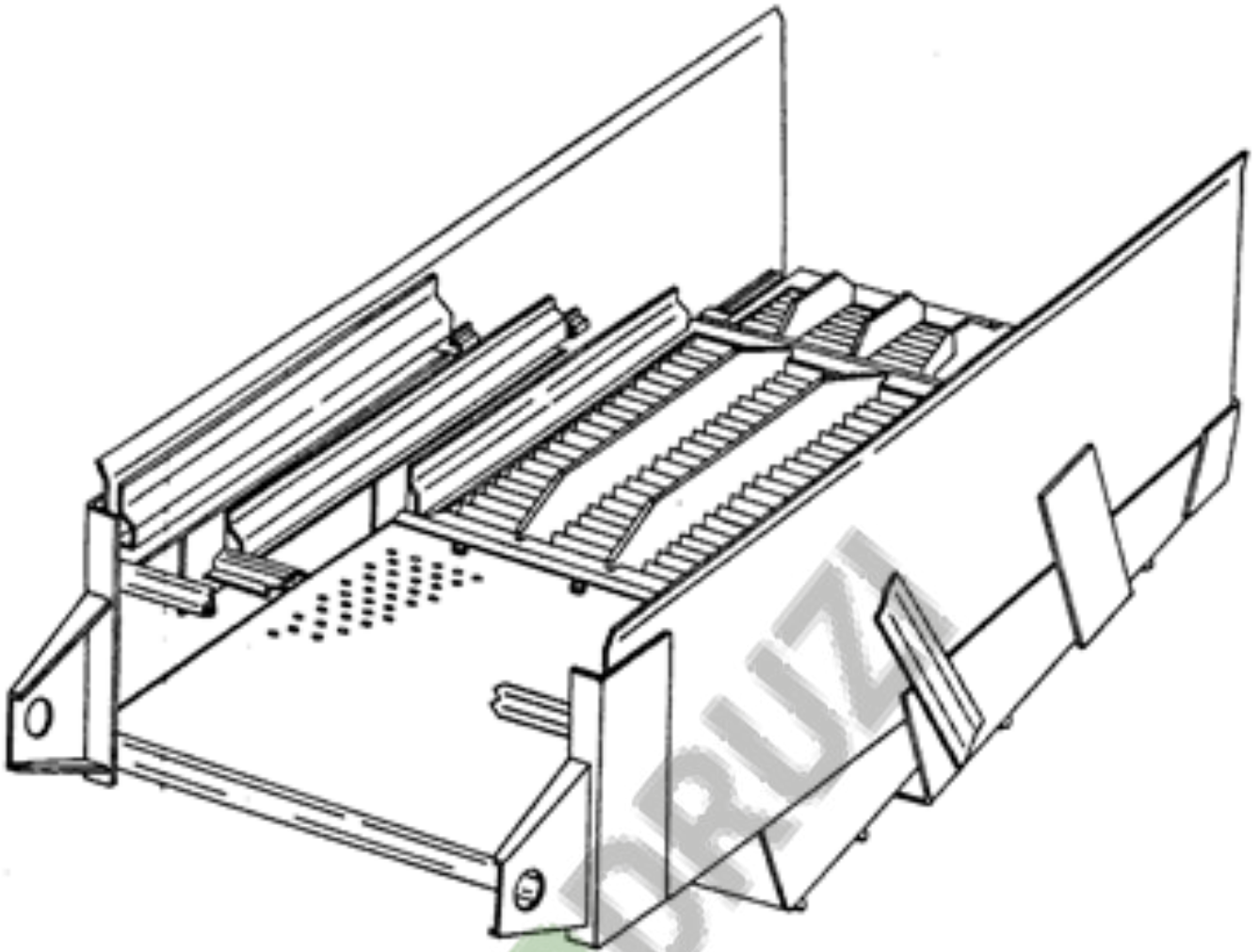
1-2560-024



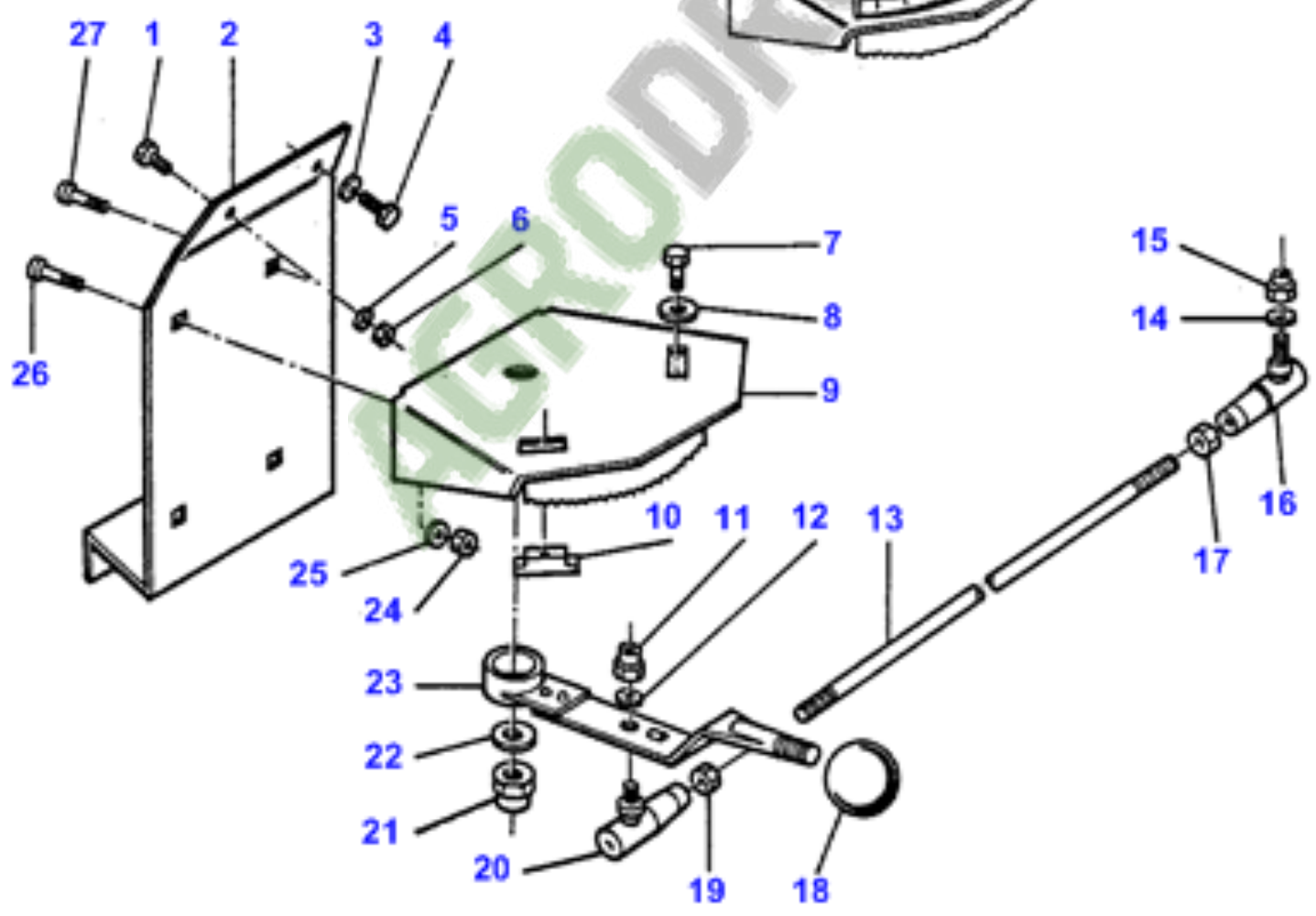
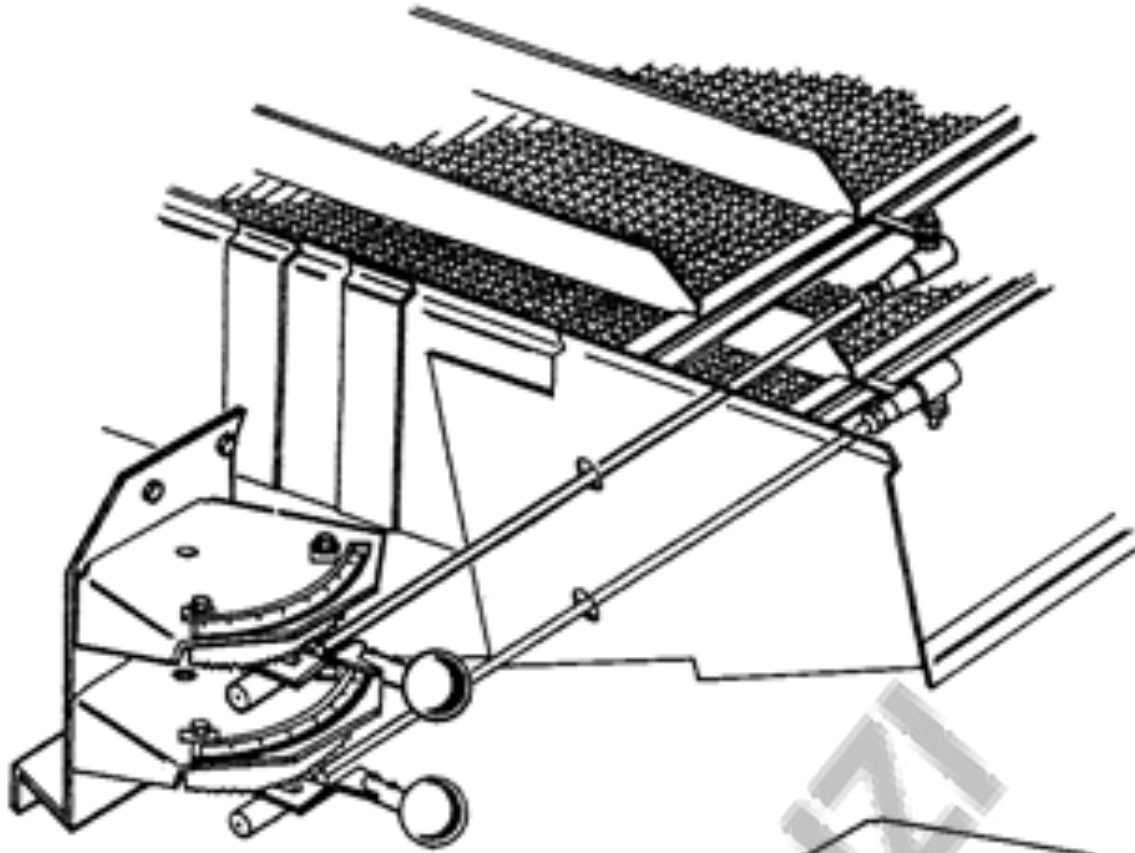
1-2560-026



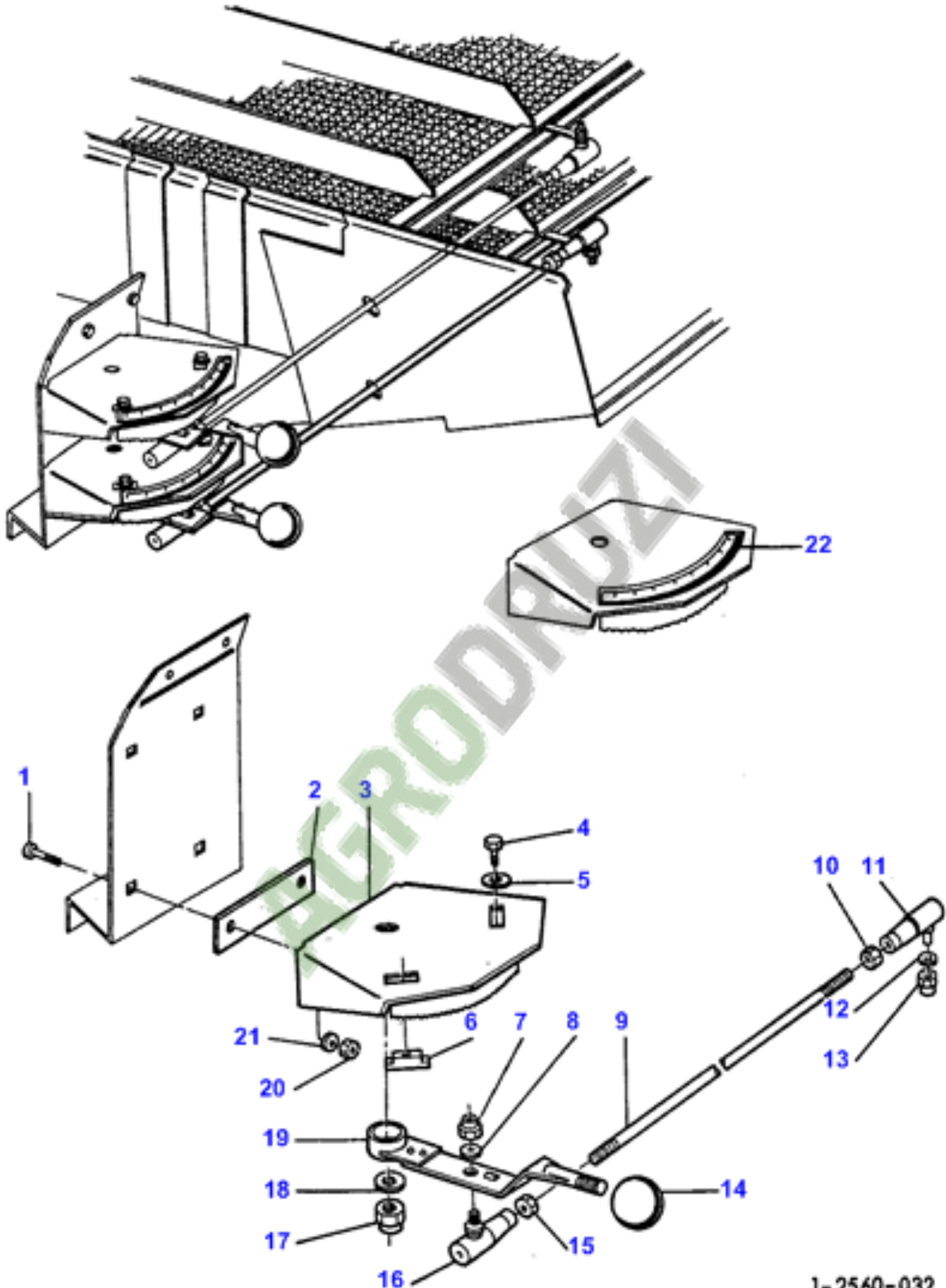
1-2560-028



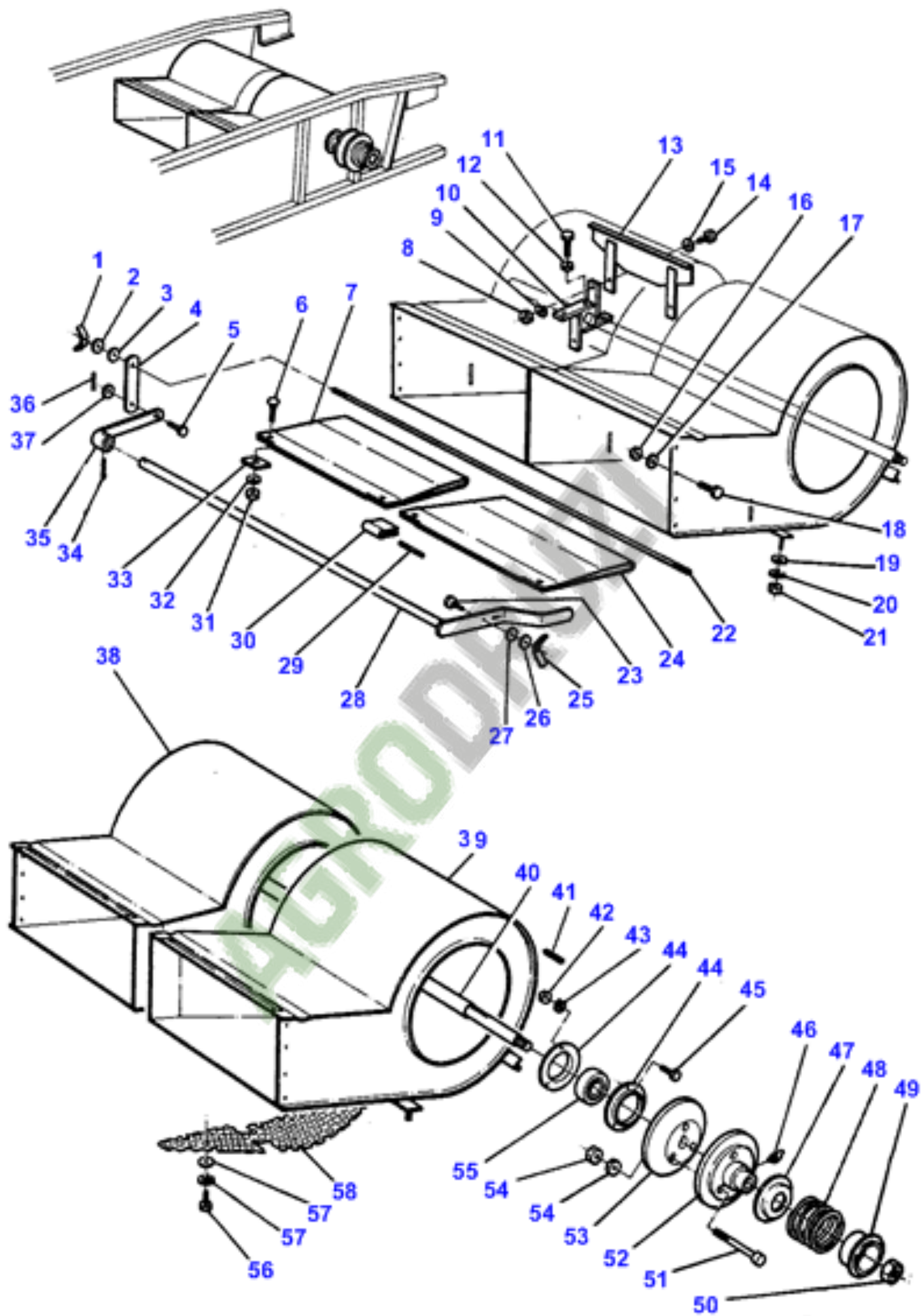
1-2560-030



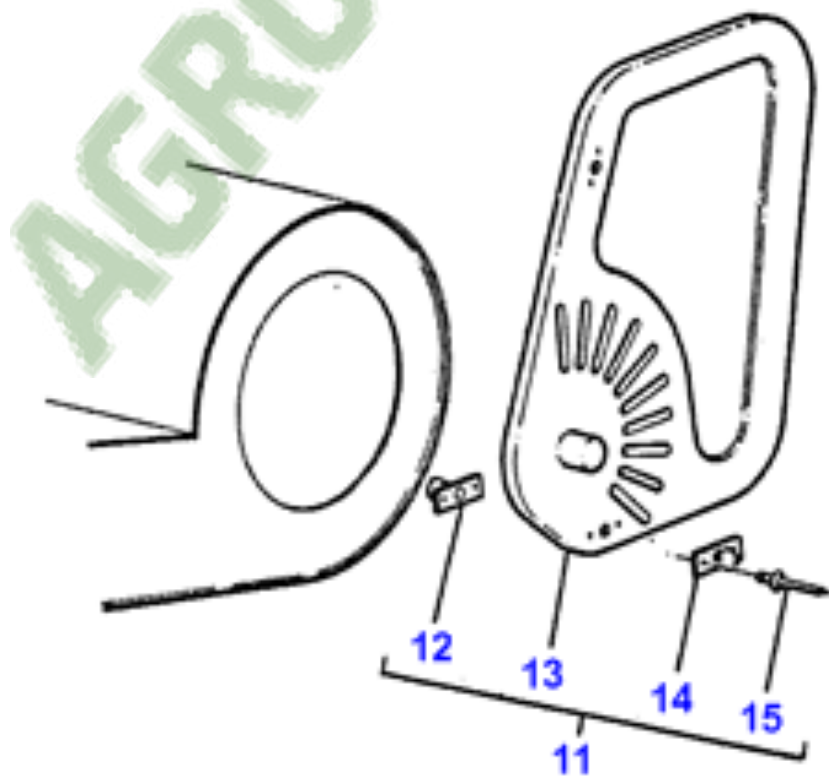
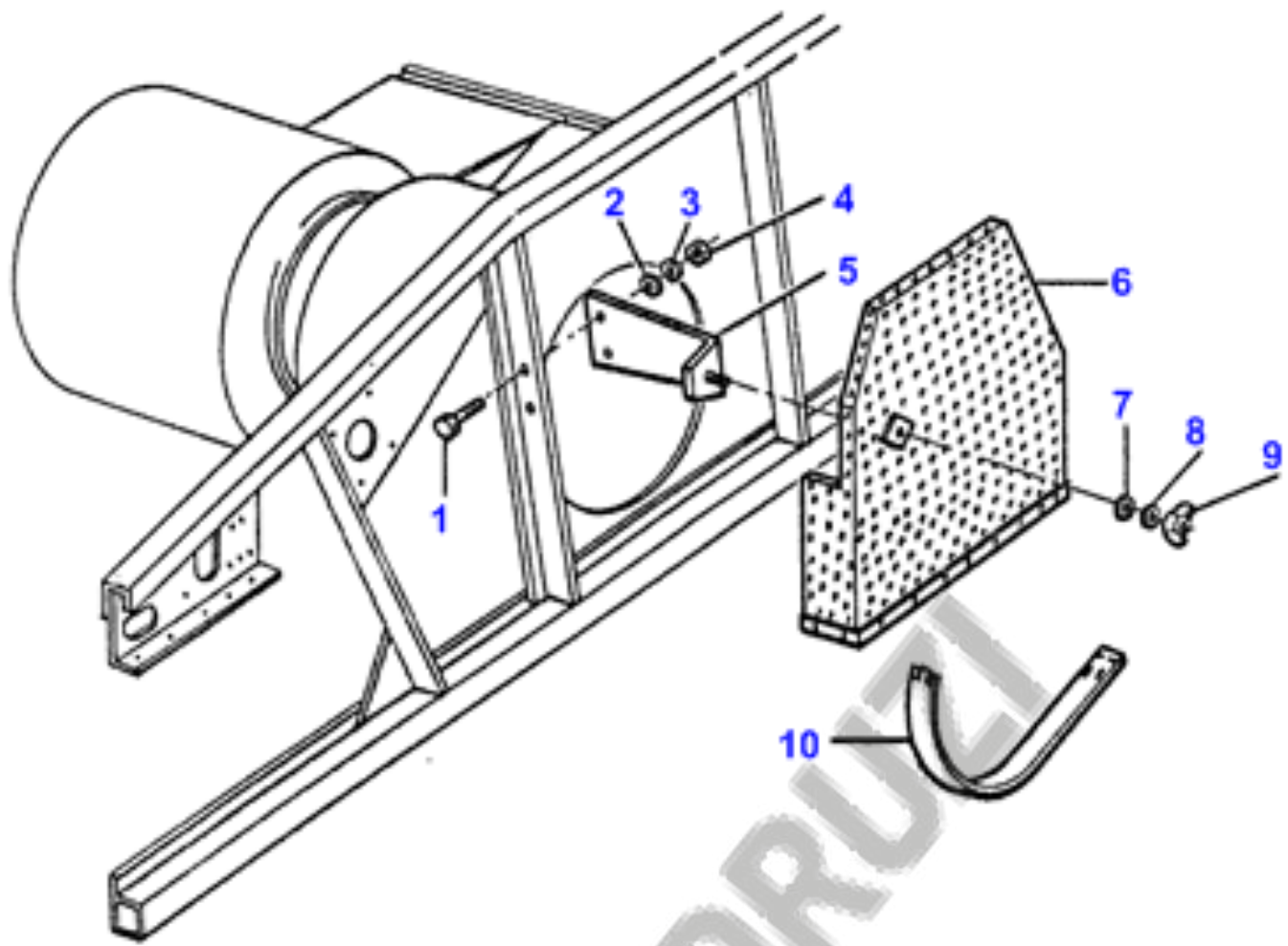
1-2560-031



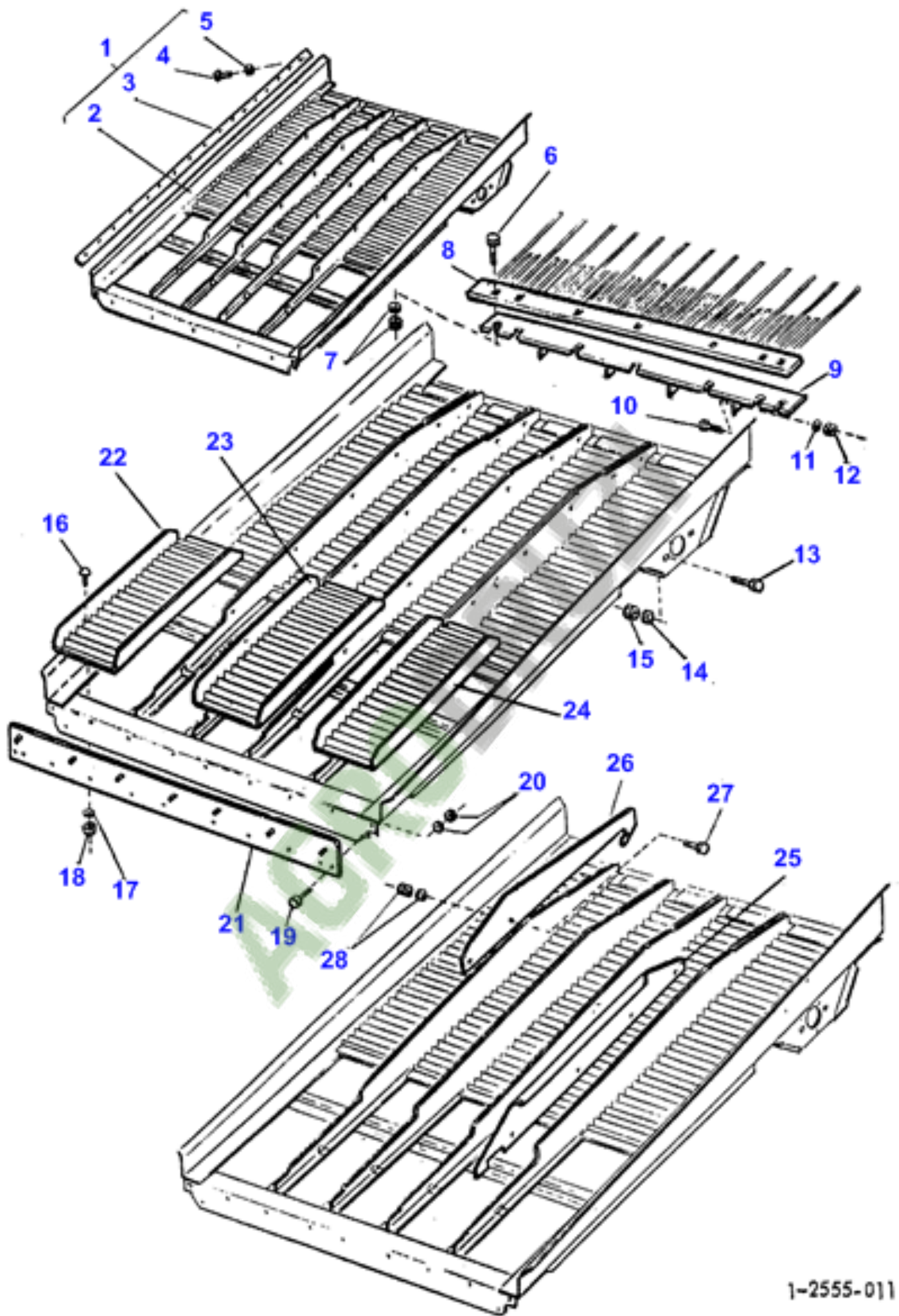
1-2560-032



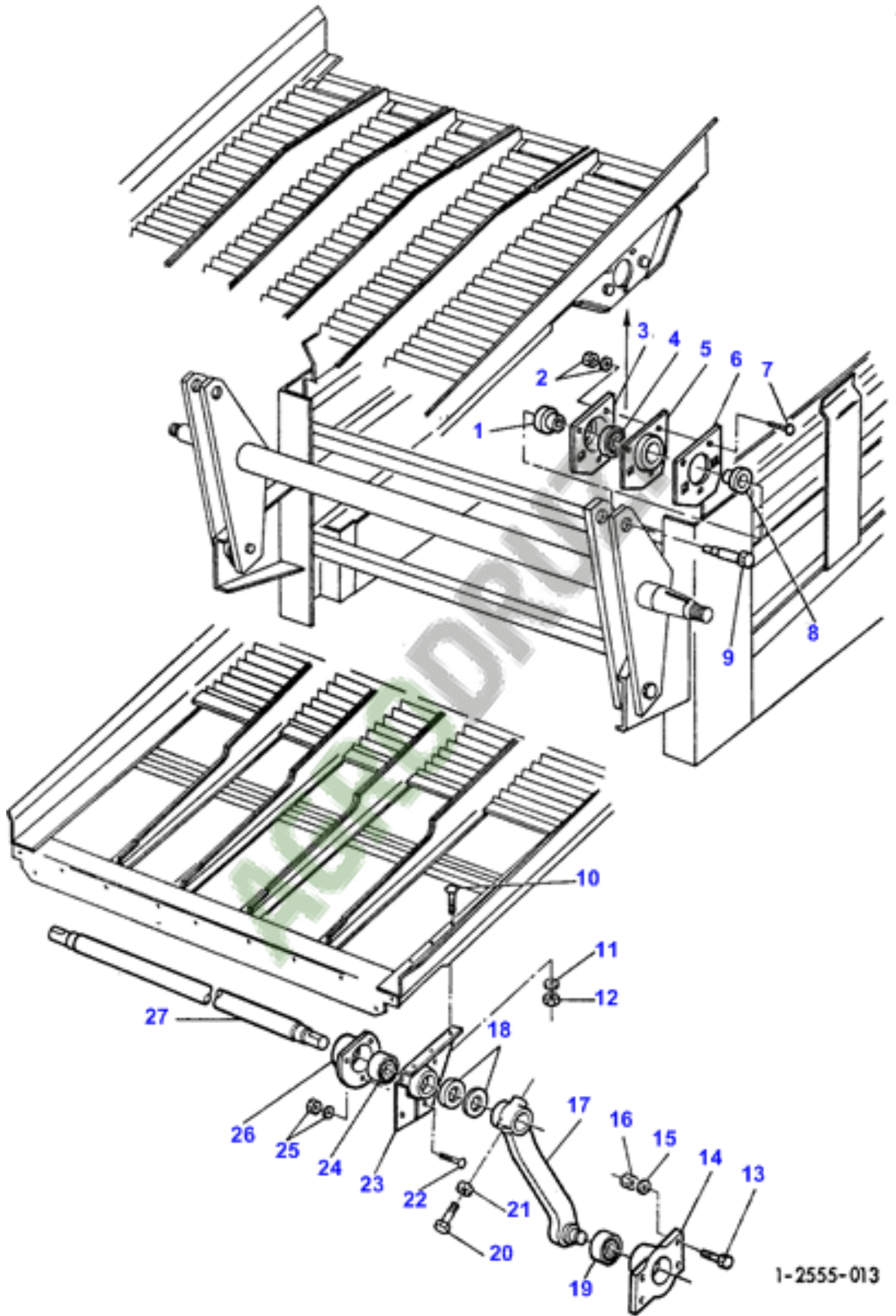
1-2535-005



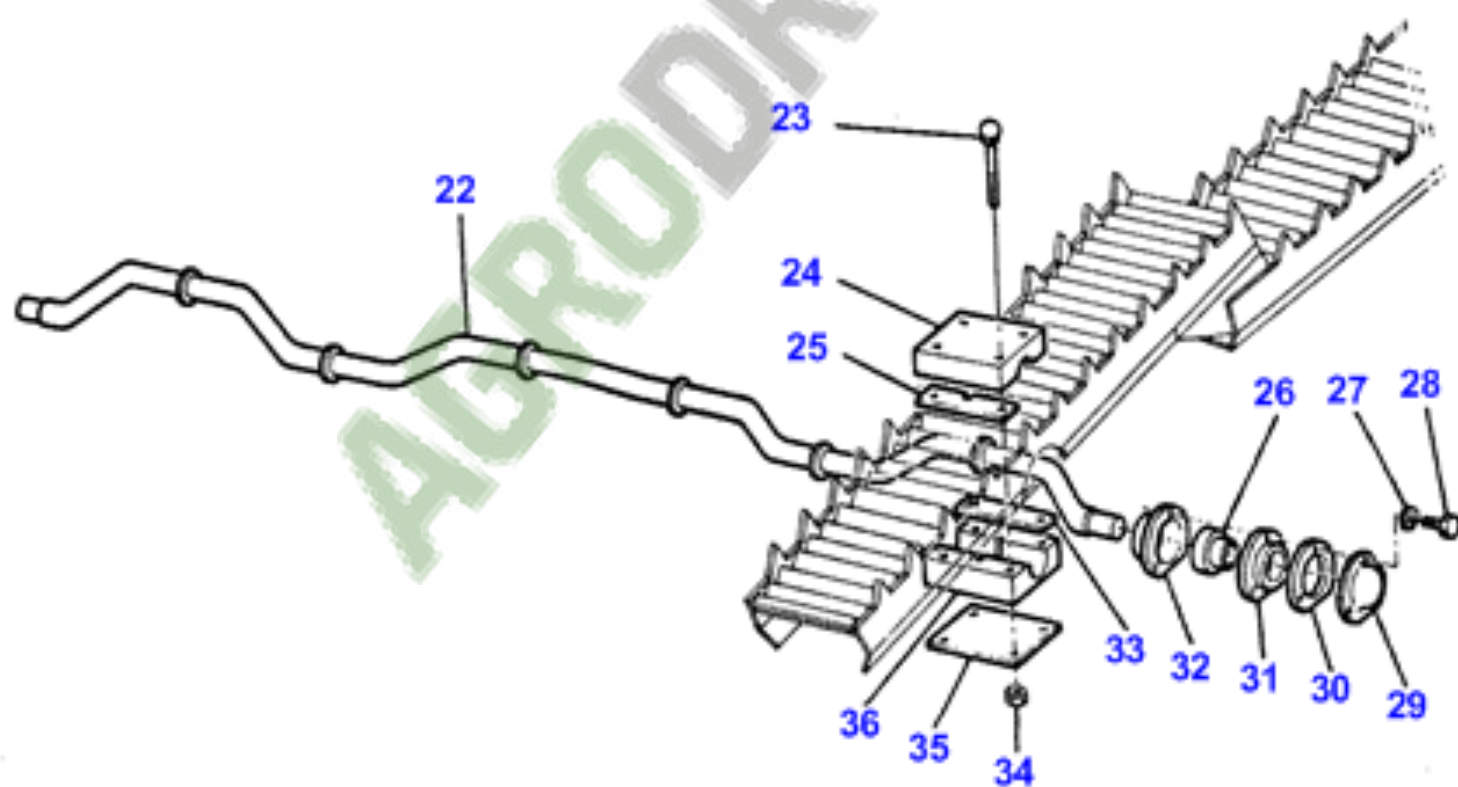
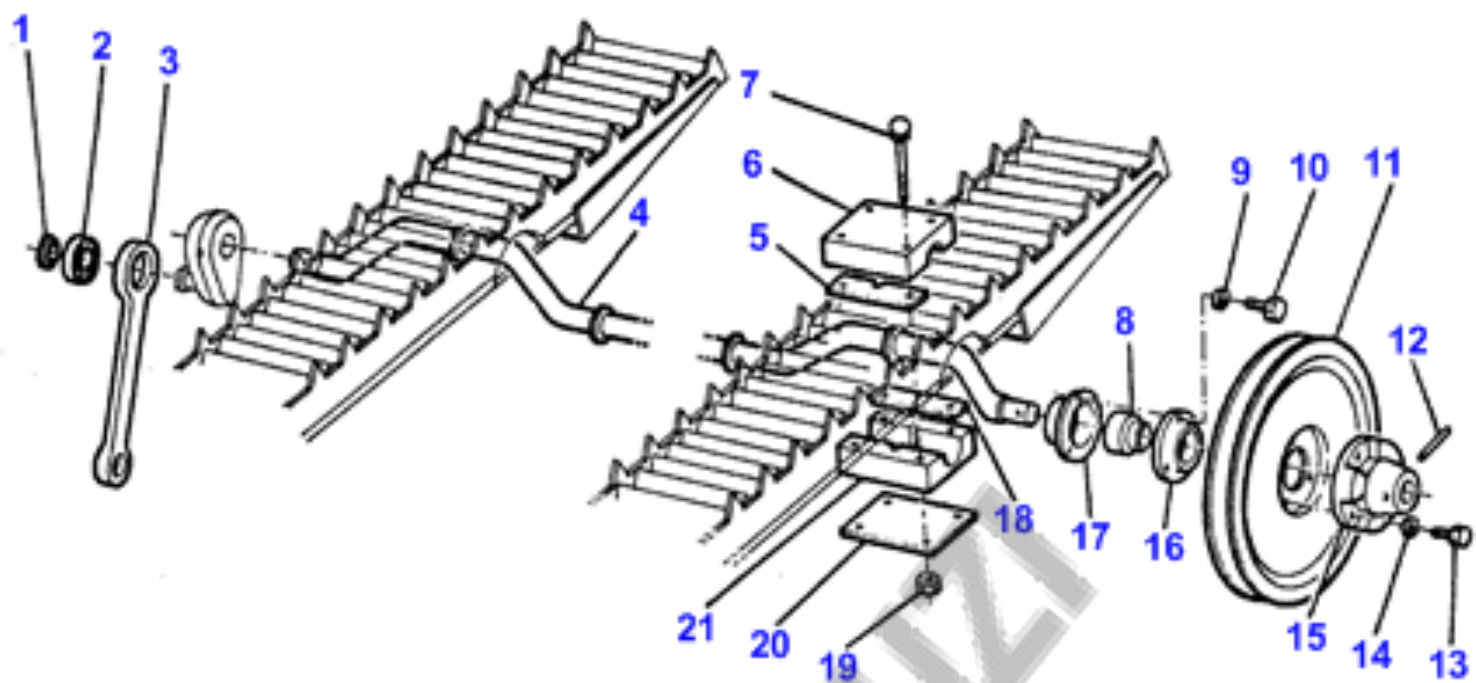
1-2535-008



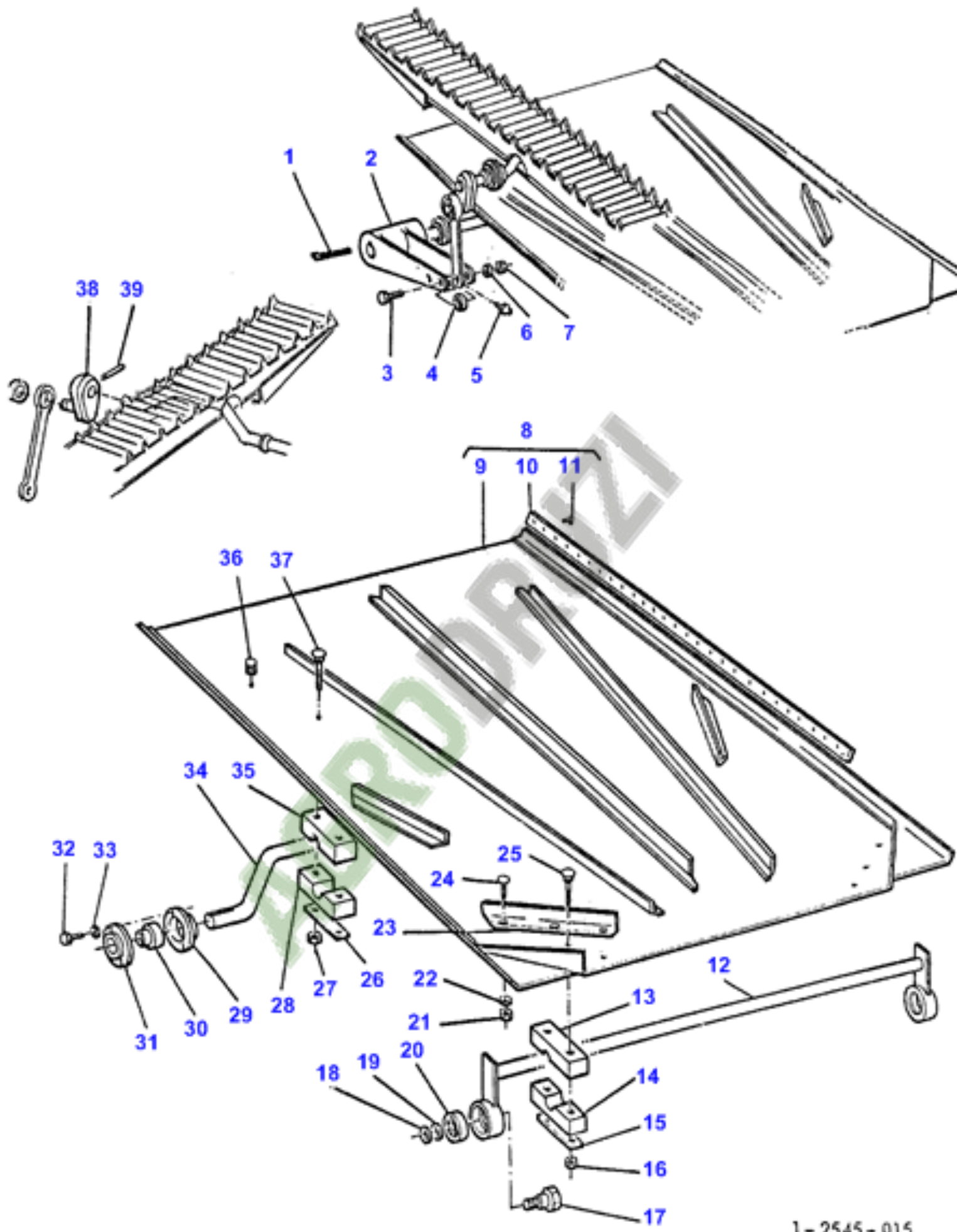
1-2555-011



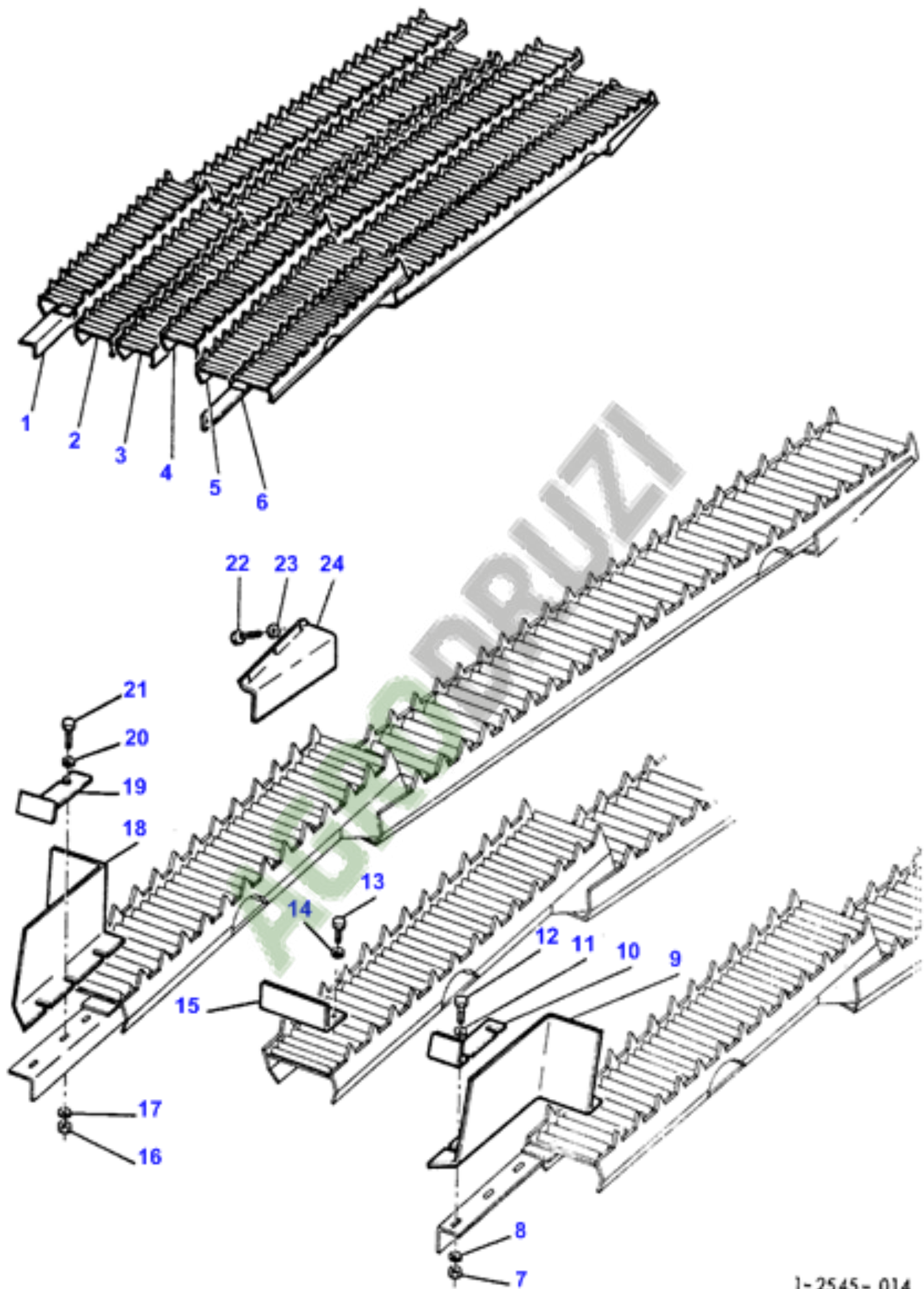
1-2555-013



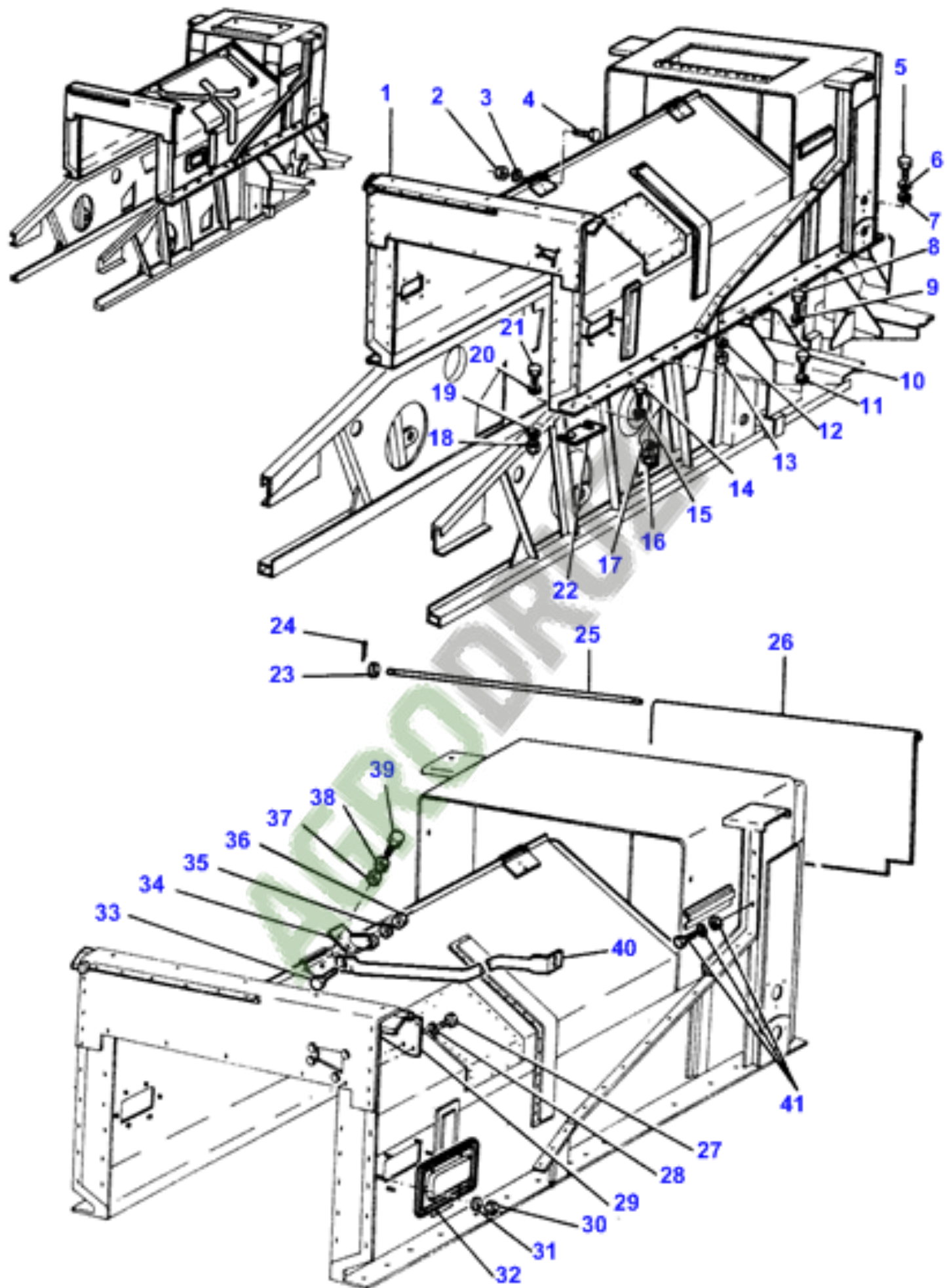
1 - 2545 - 012



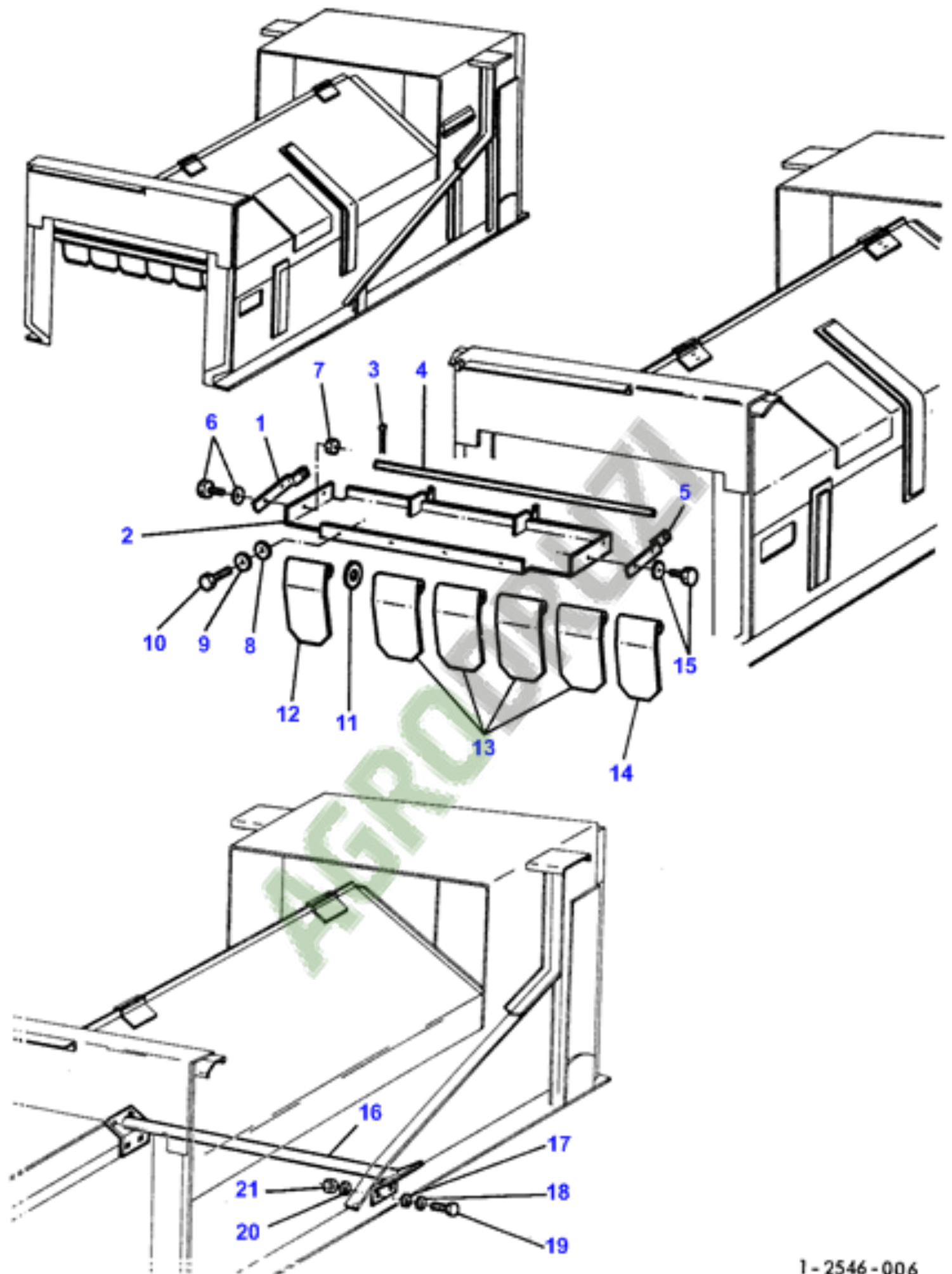
1-2545-015



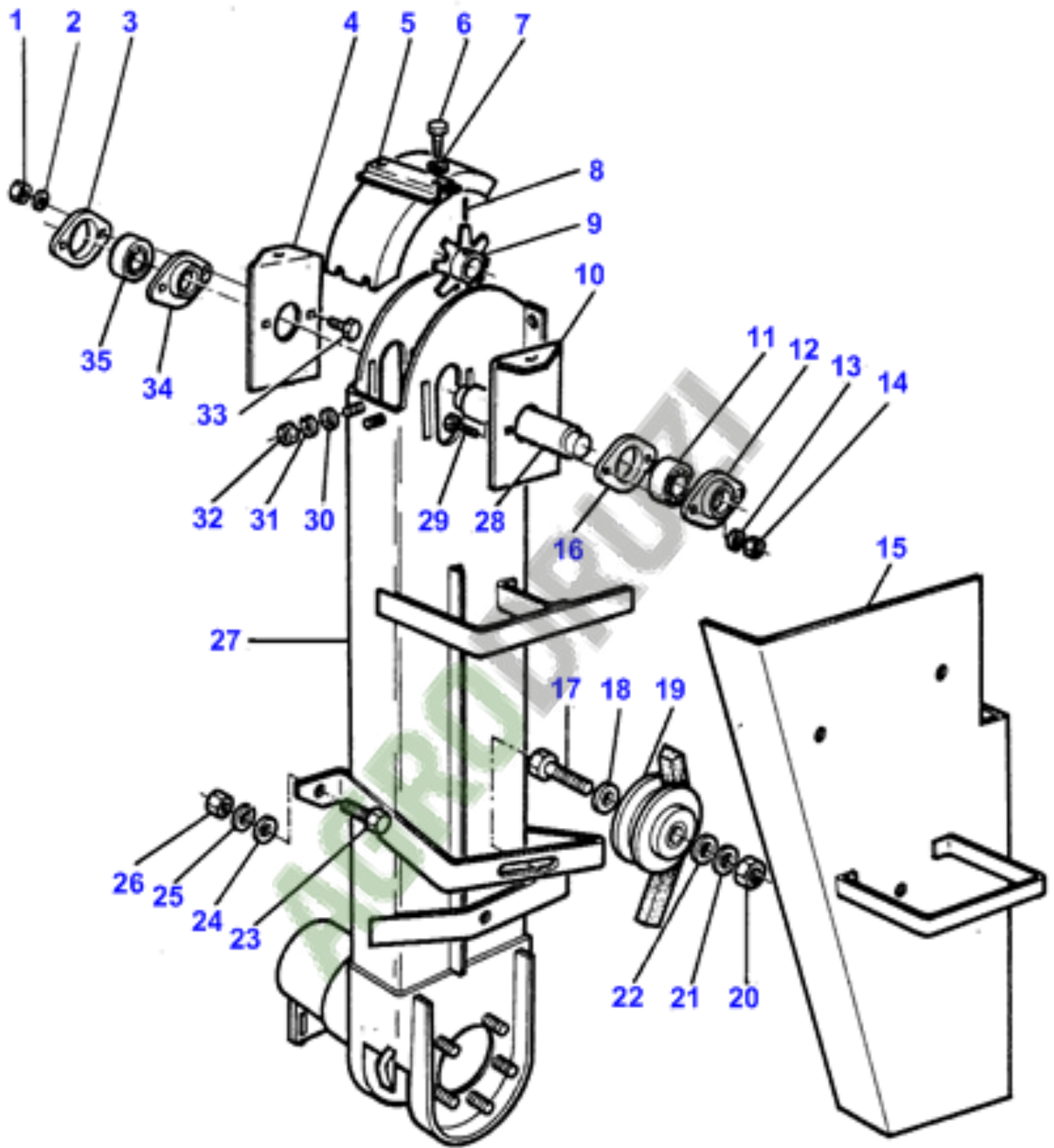
1-2545-014



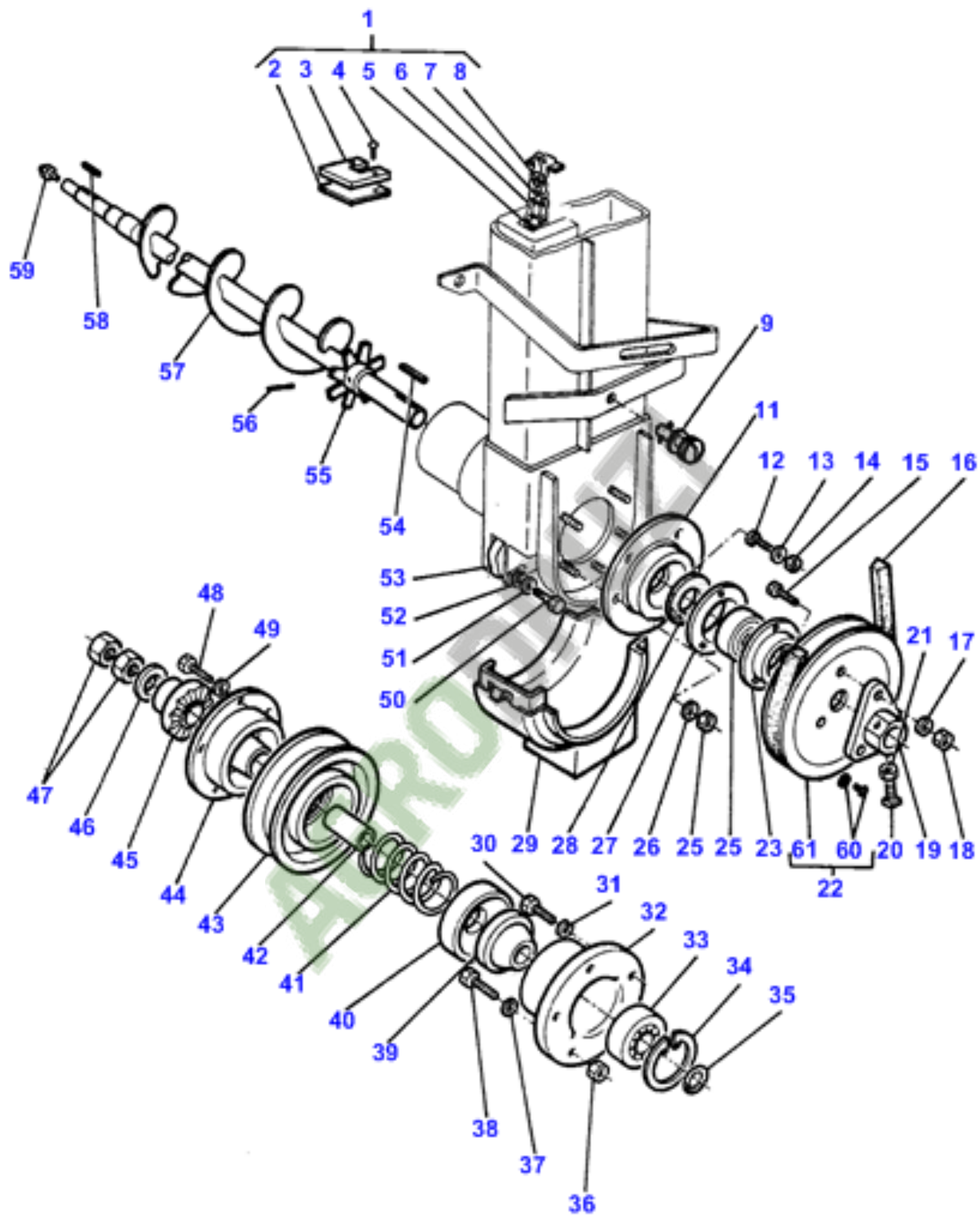
1-2546-005



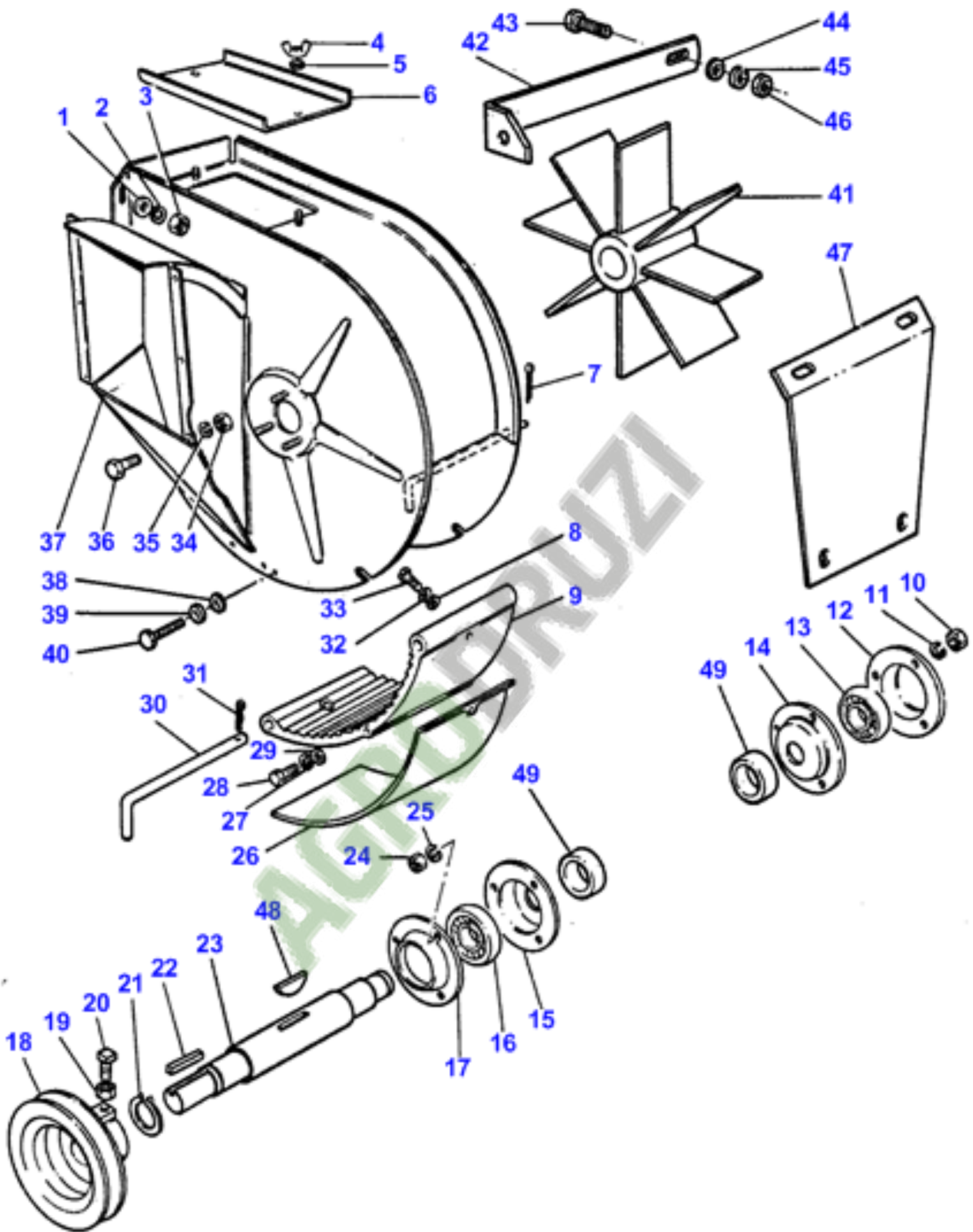
1-2546-006



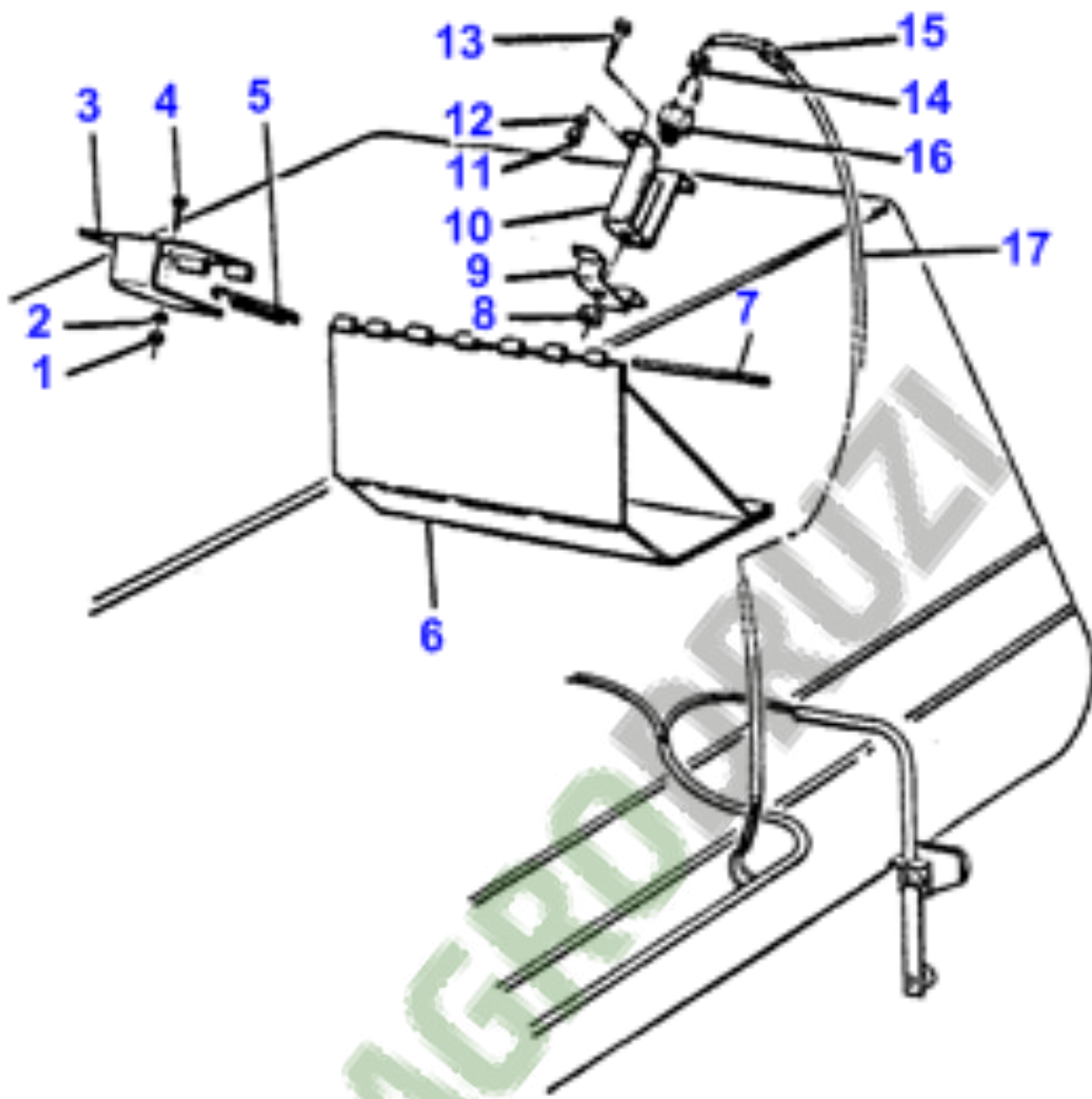
1-2570-013



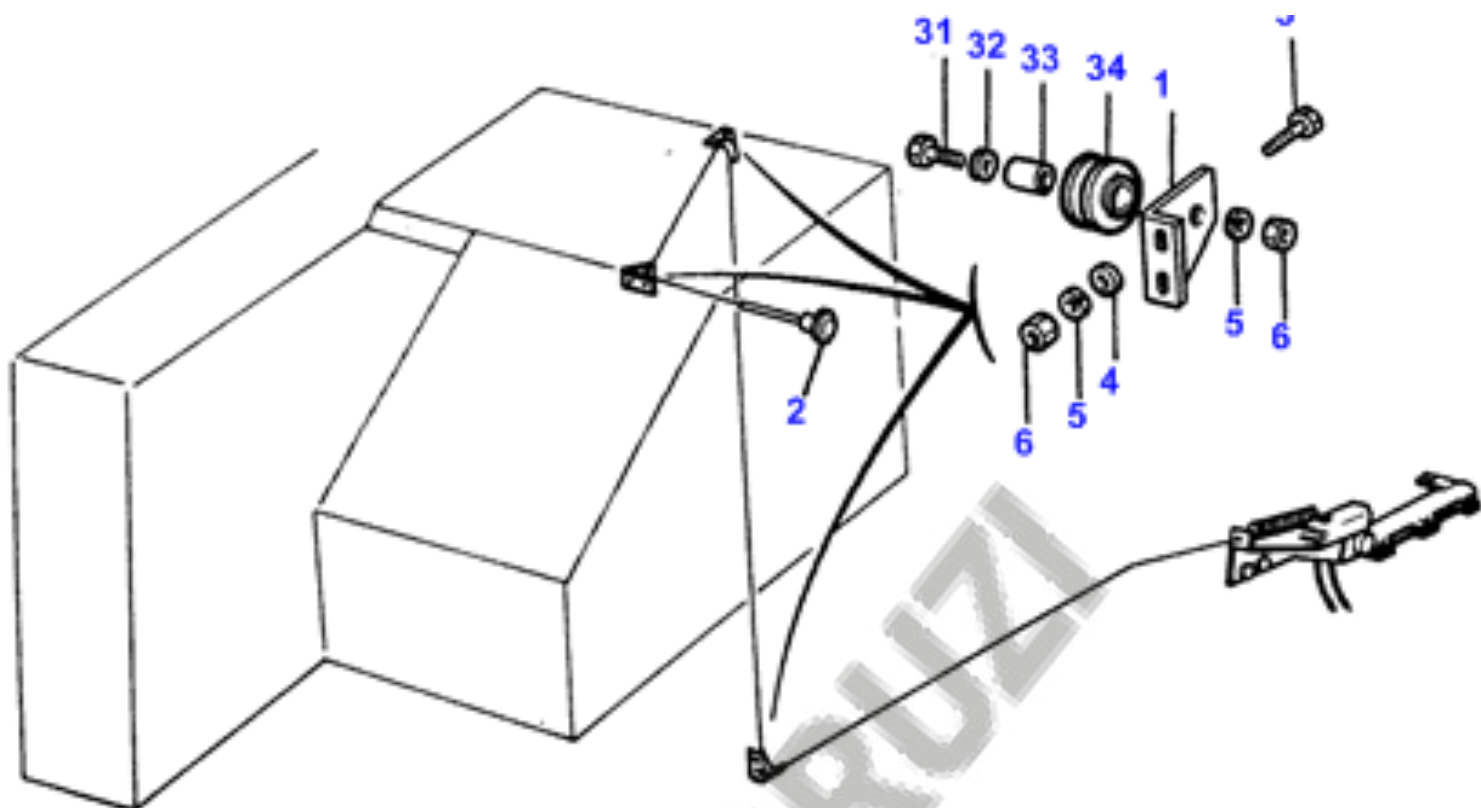
1-2570-014



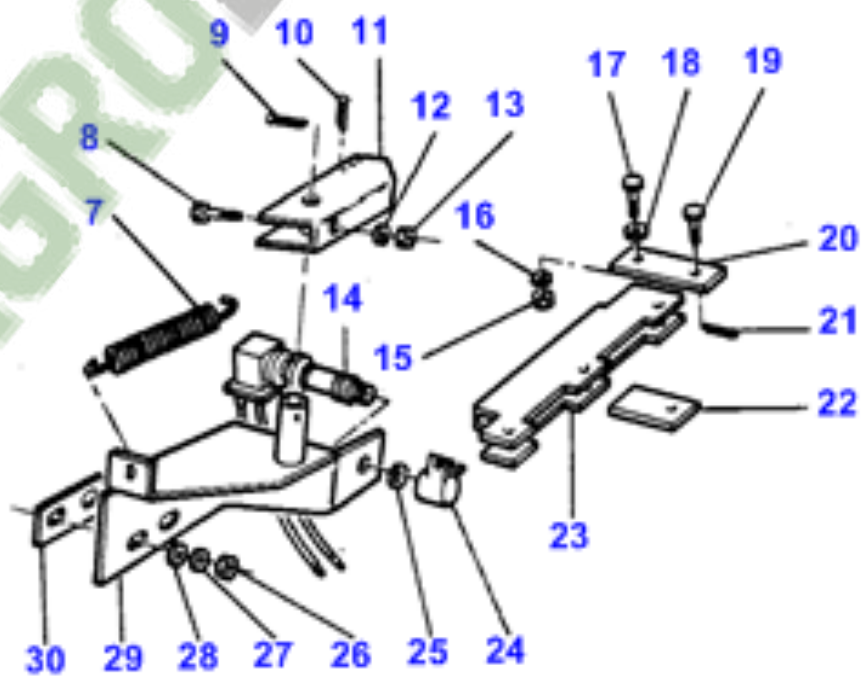
1-2570-015



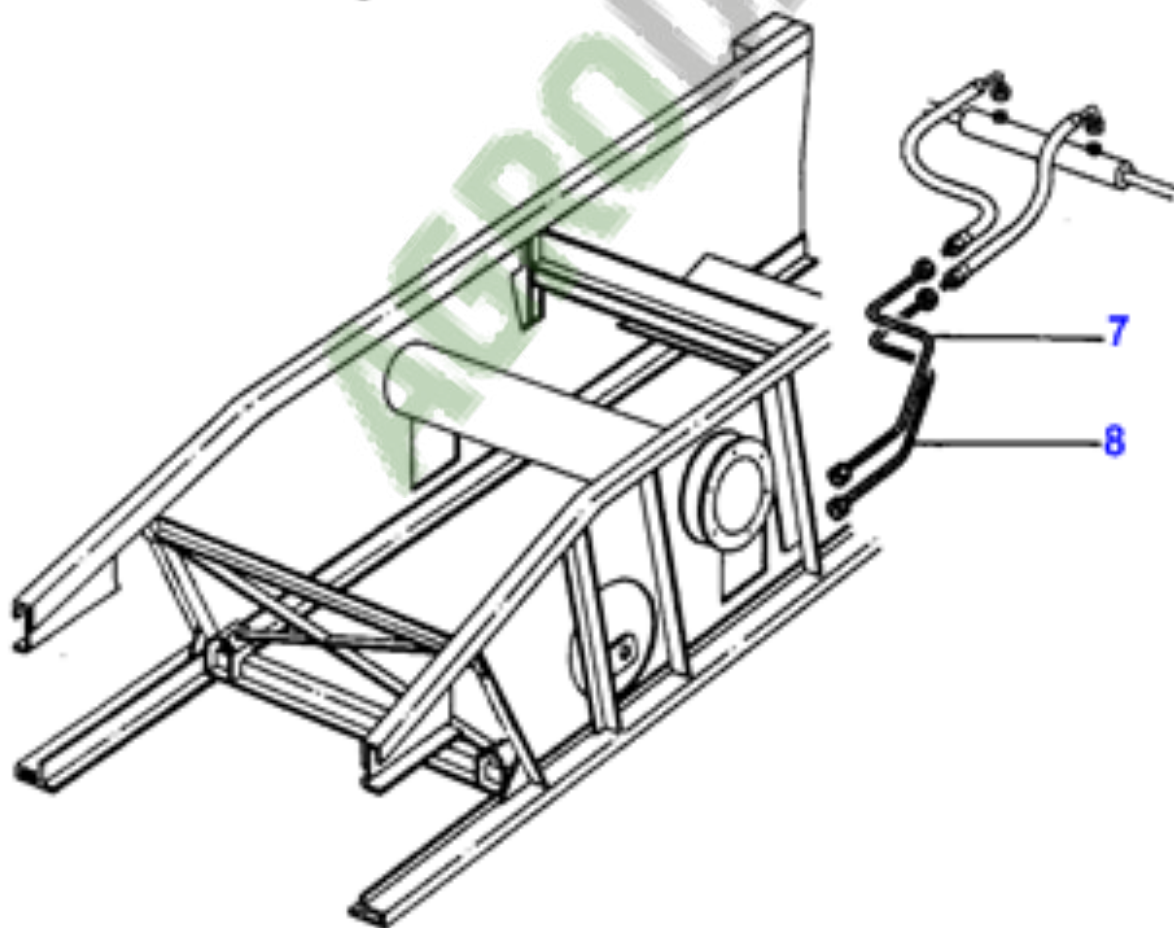
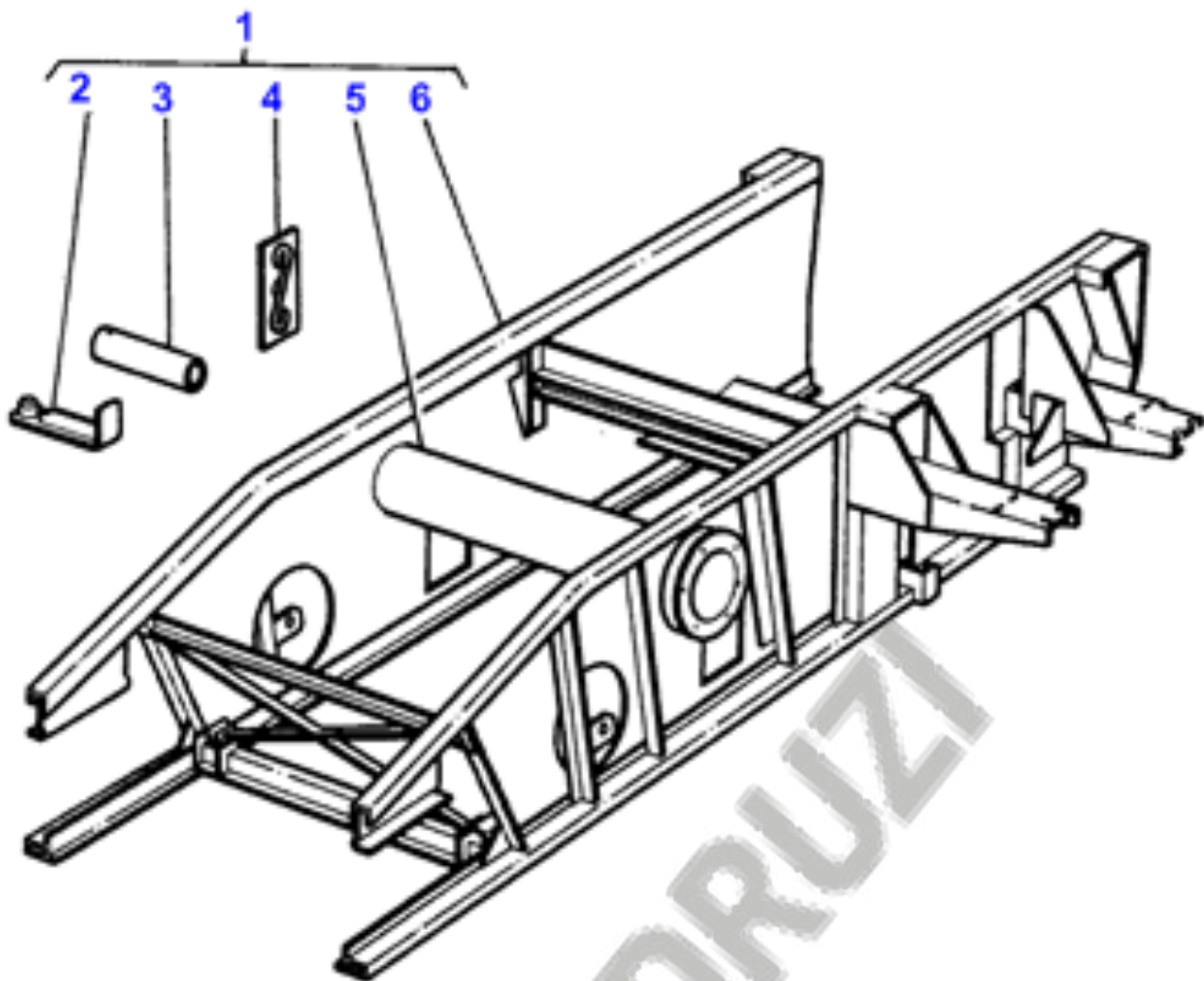
1-2680-003



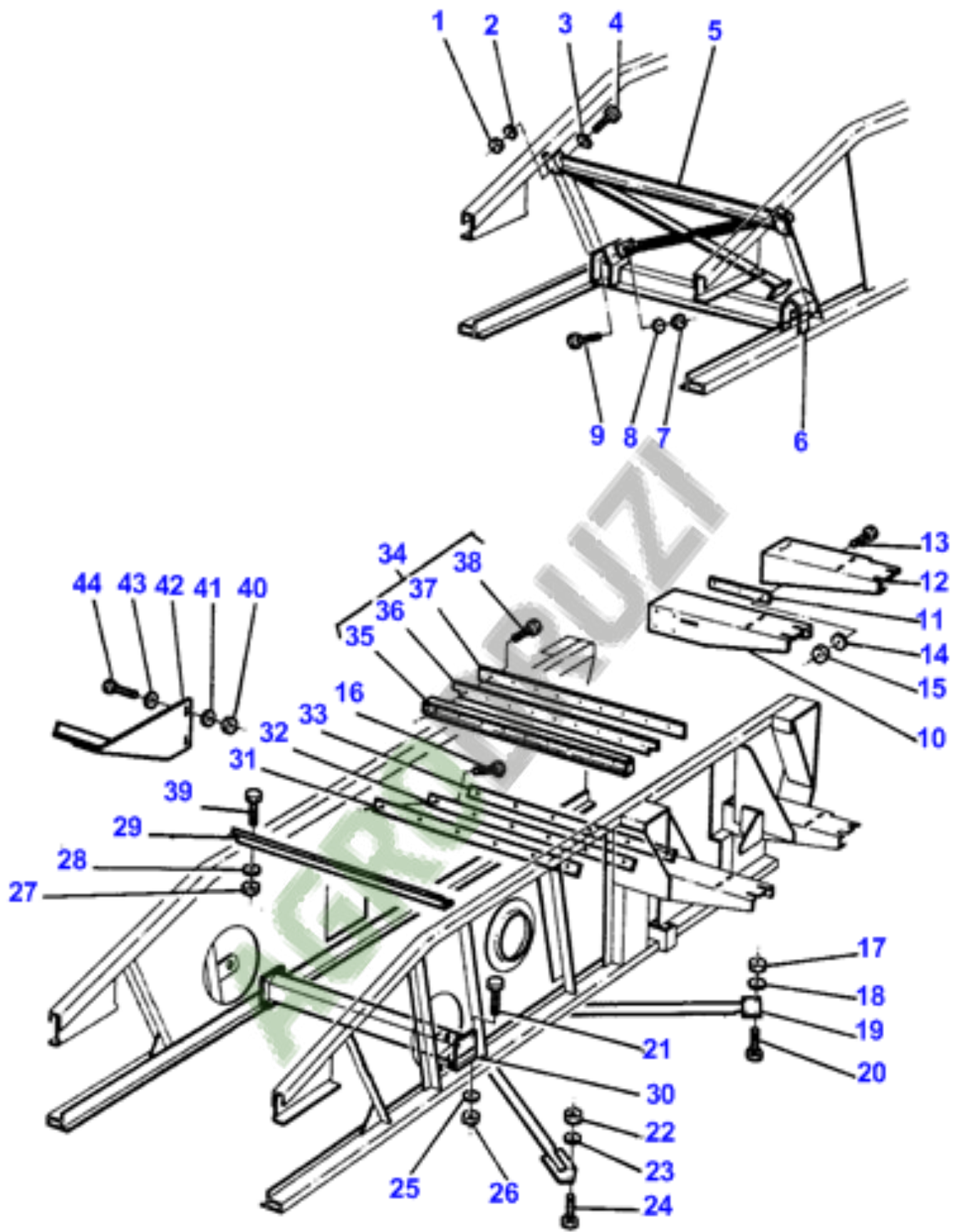
AGRODRUZI



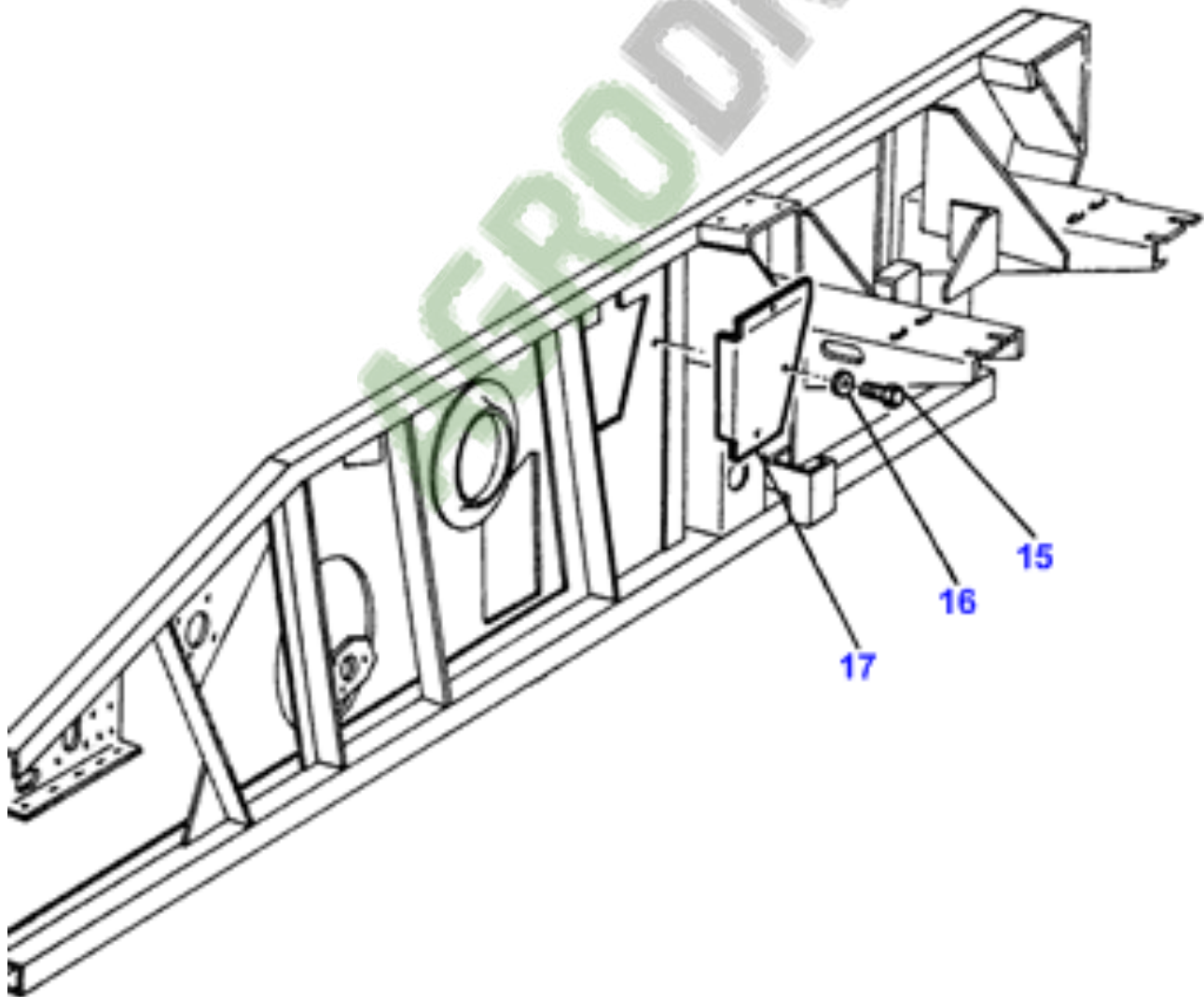
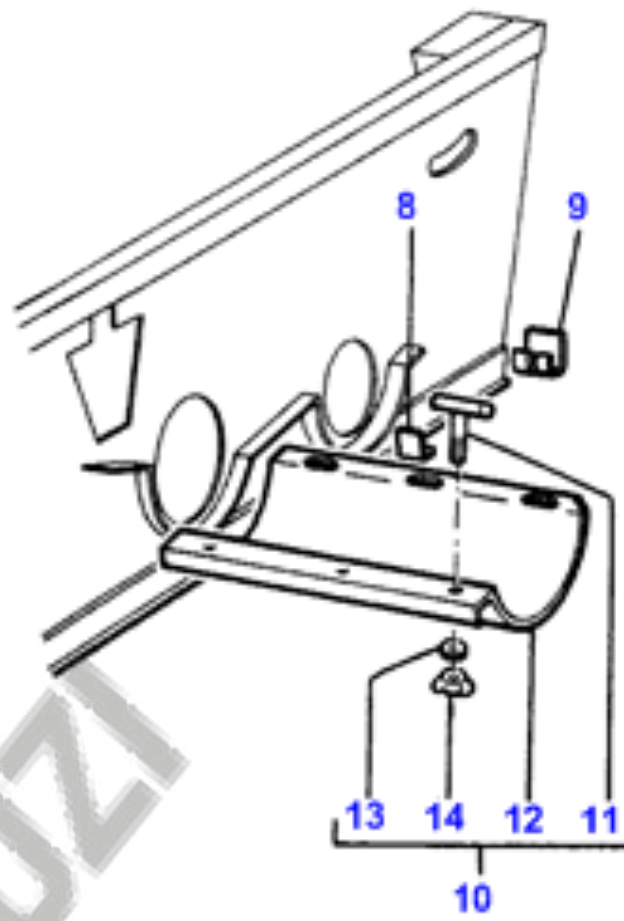
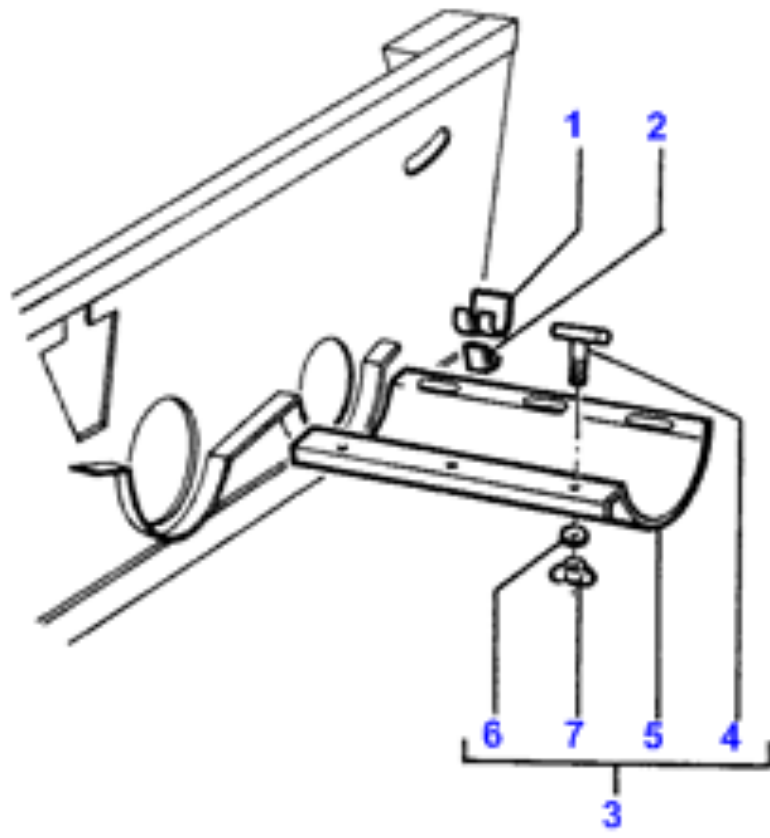
1-3425-002



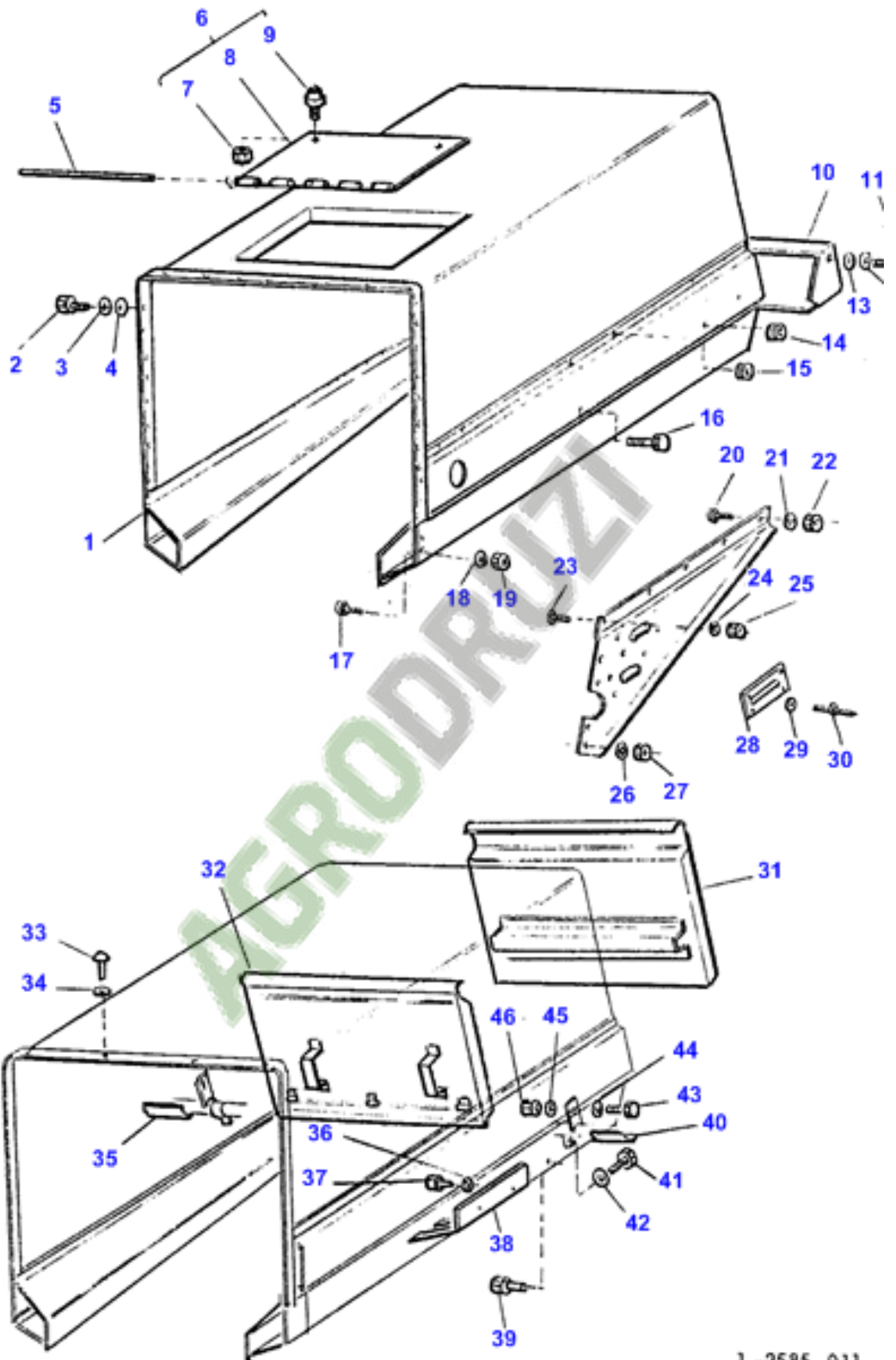
1-2590-025



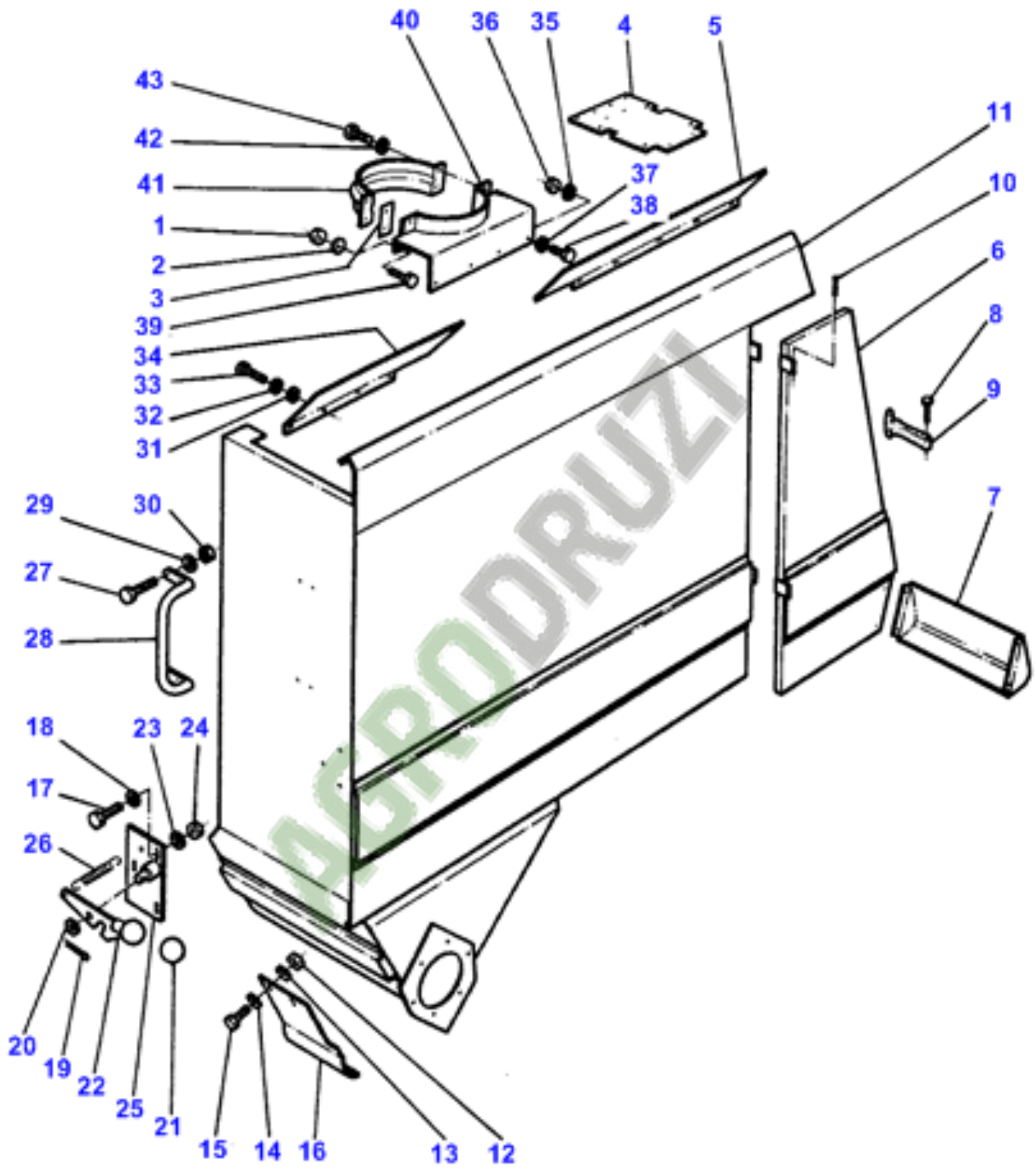
1-2590-027



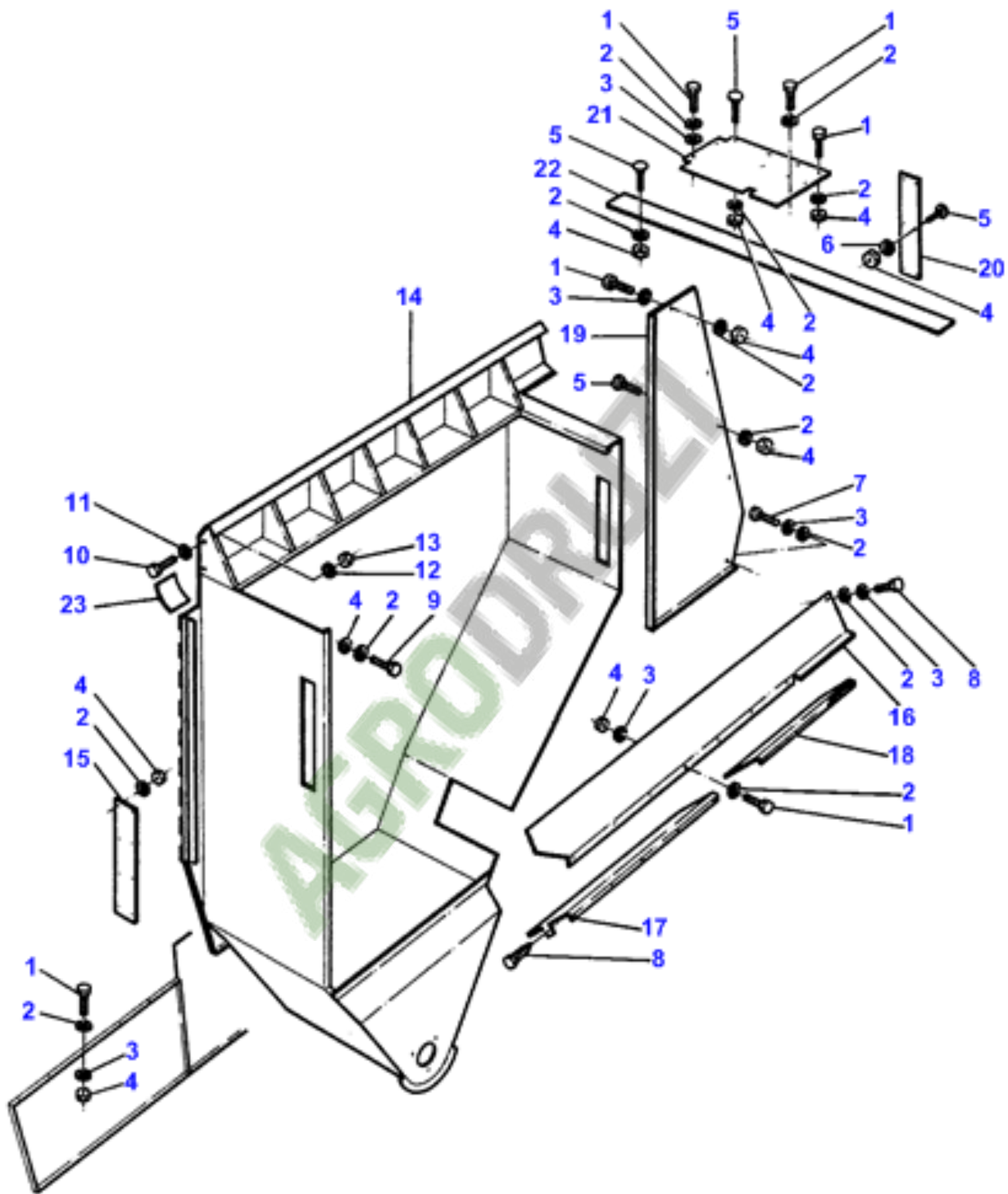
1-2590-011



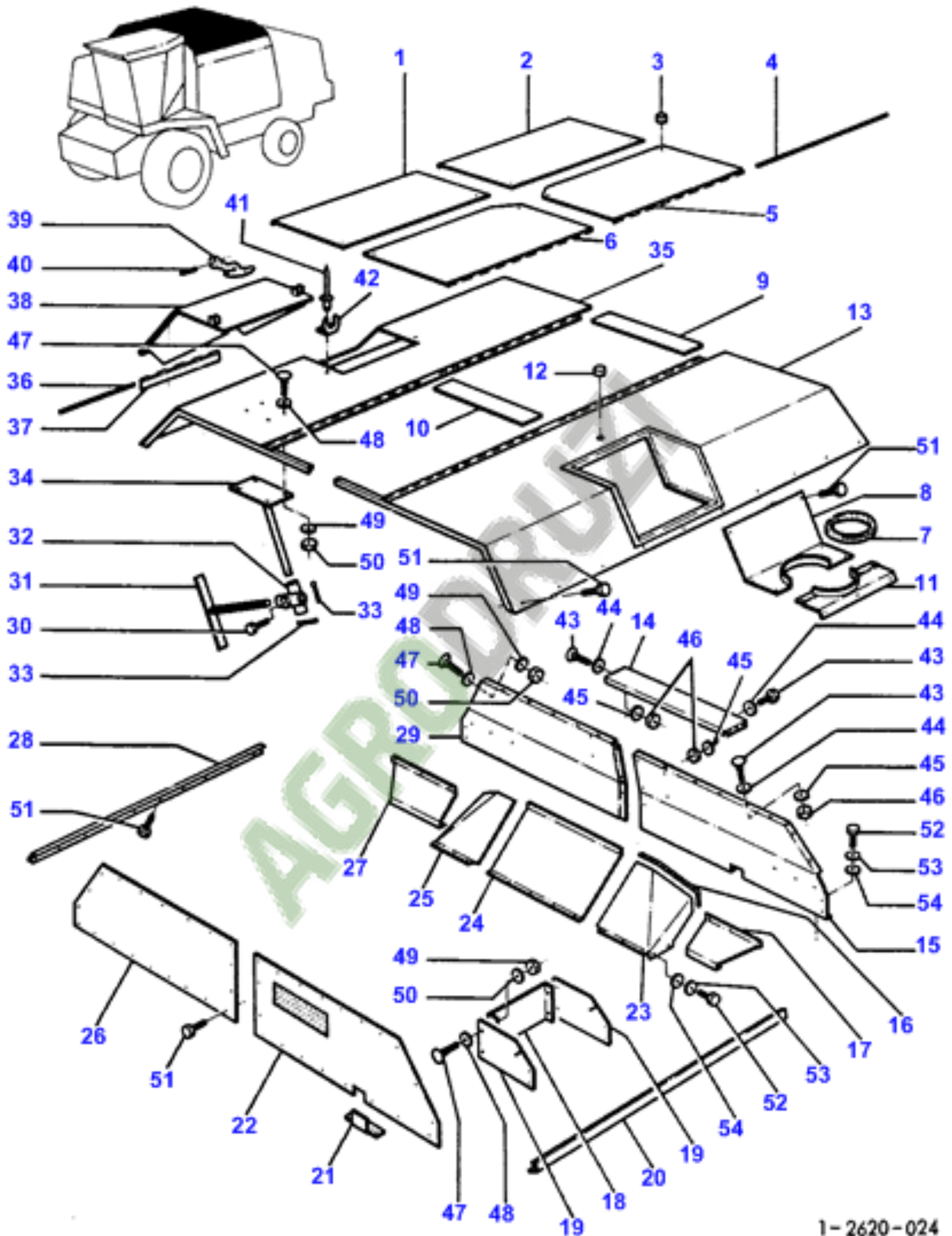
1-2585-011



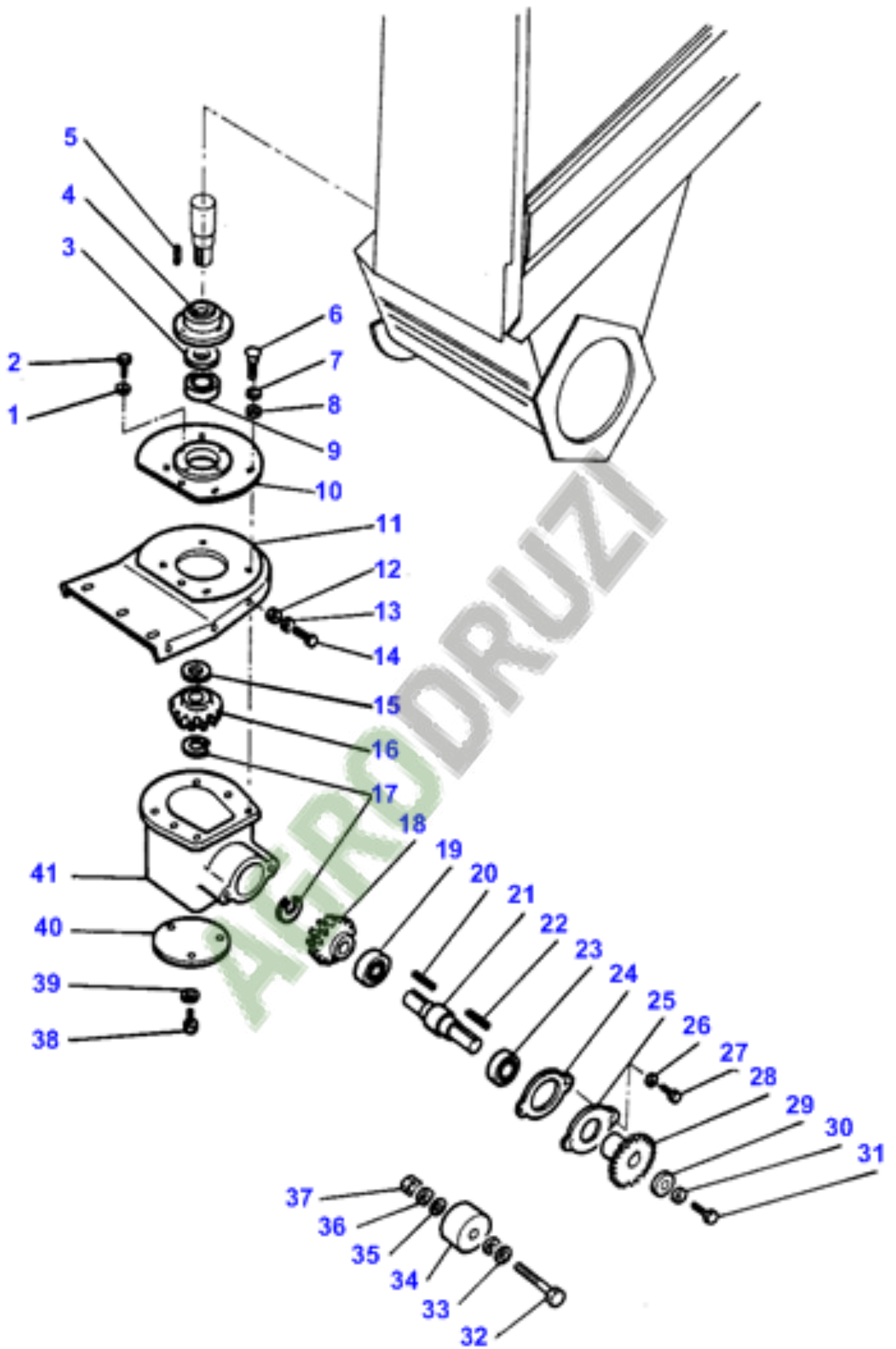
1-2620-02

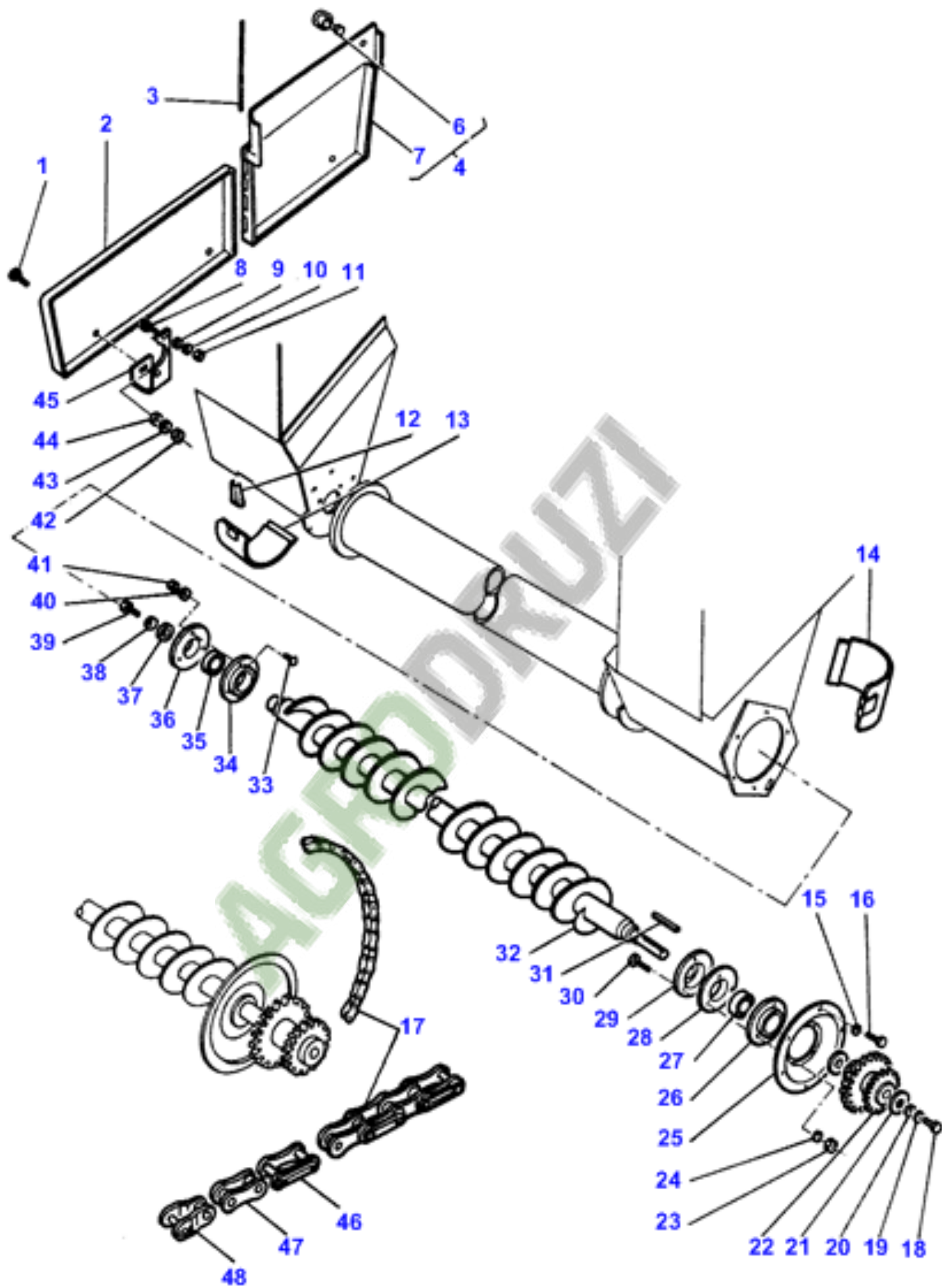


1-2620-027

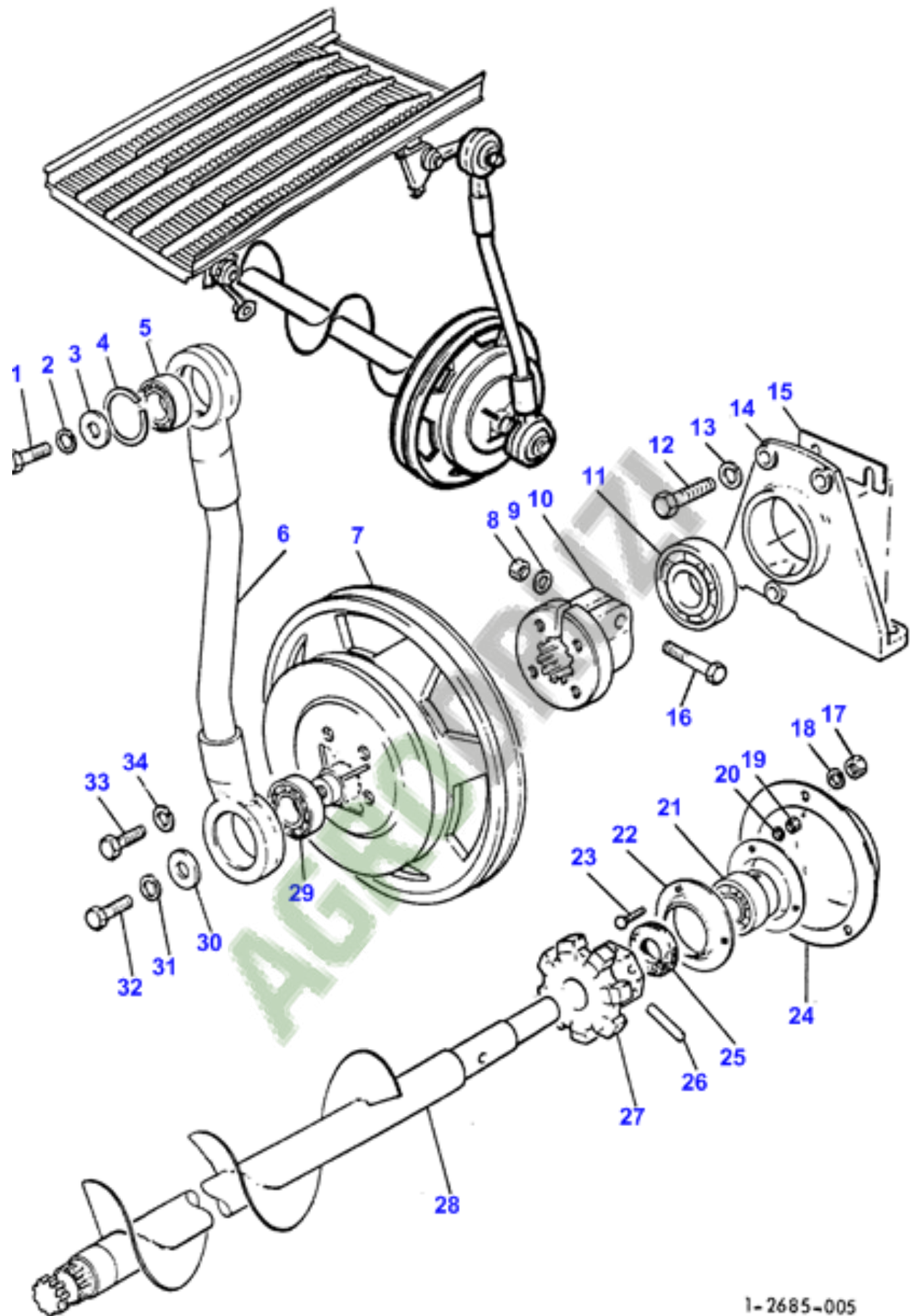


1-2620-024

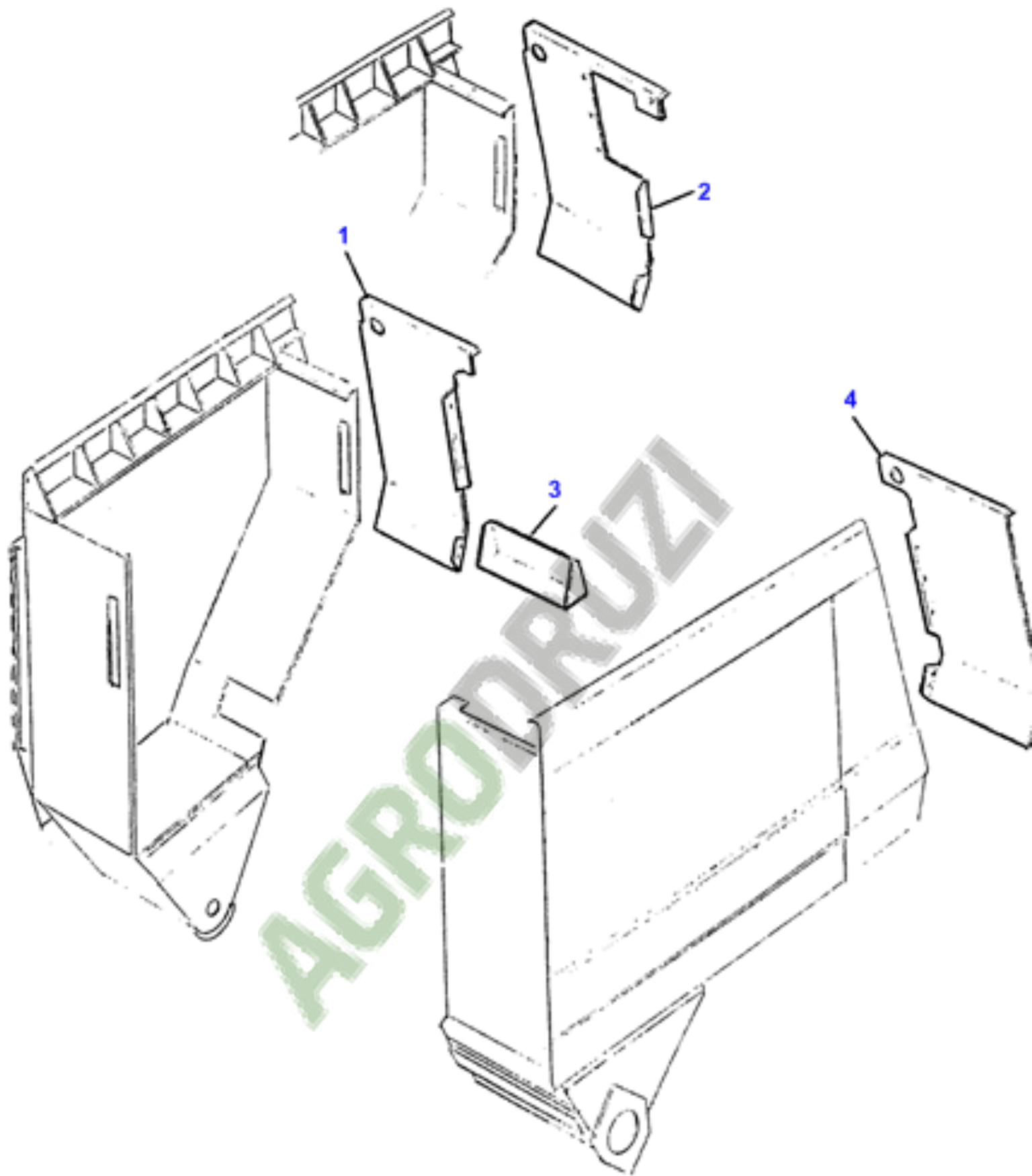




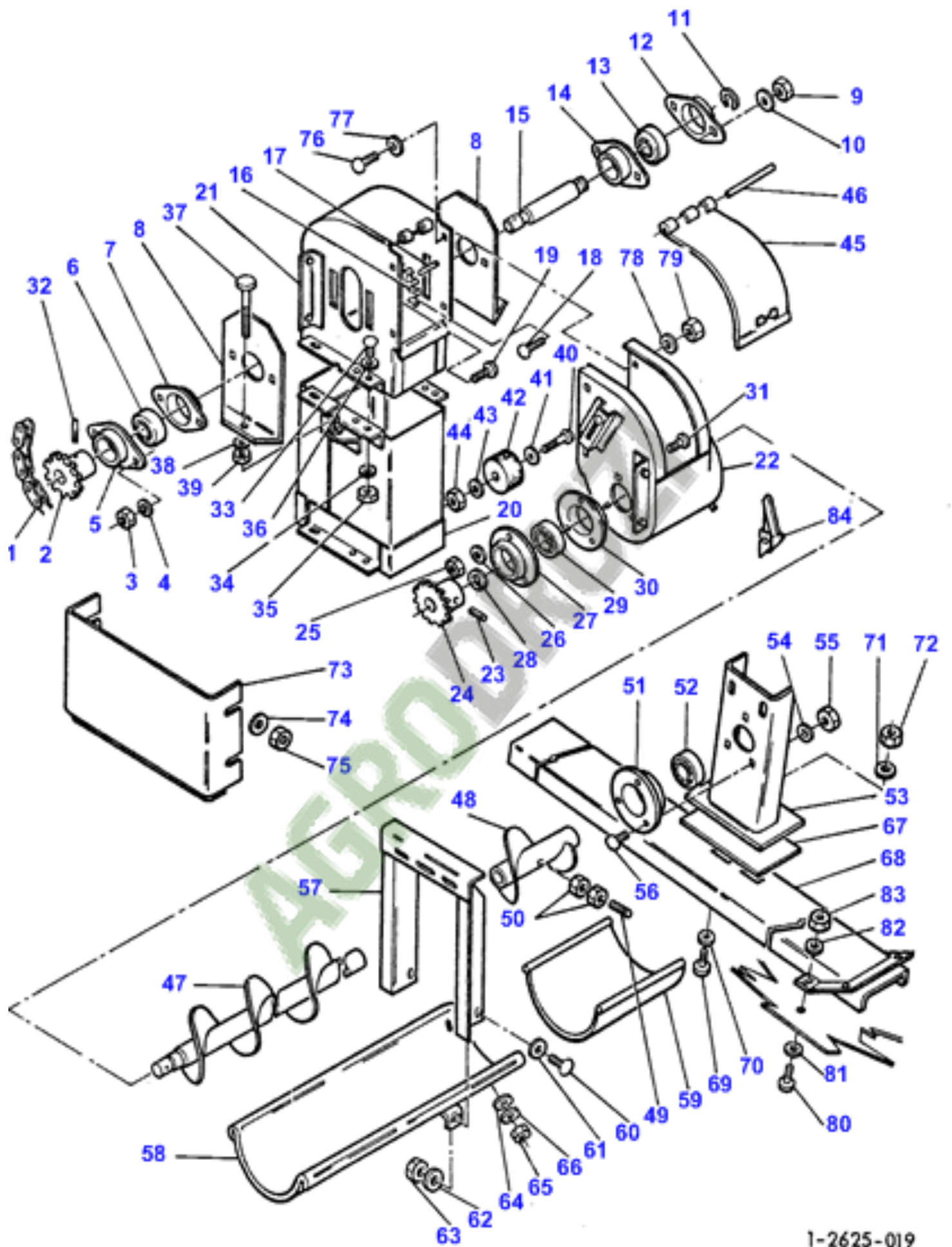
1-2620-026



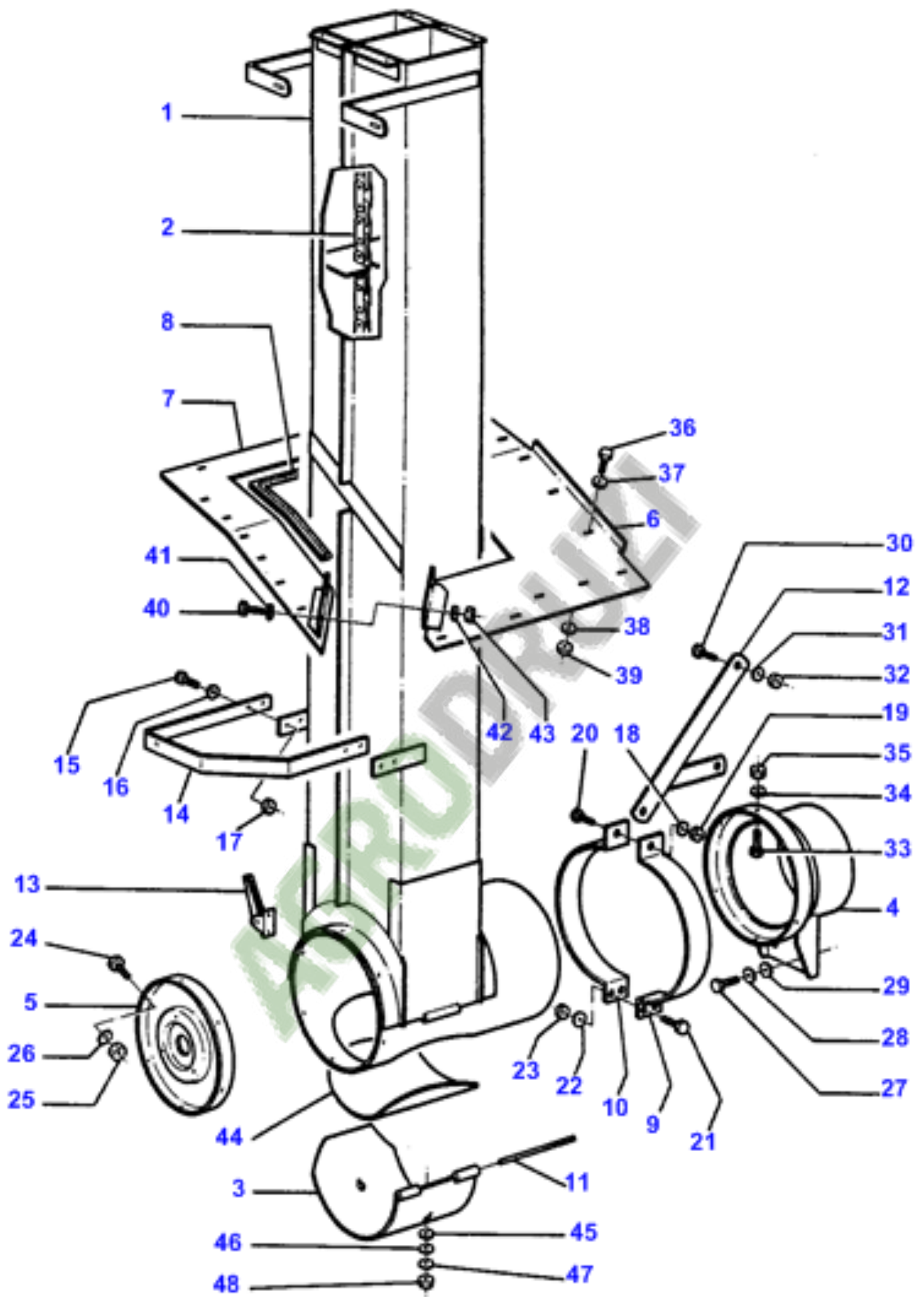
1-2685-005



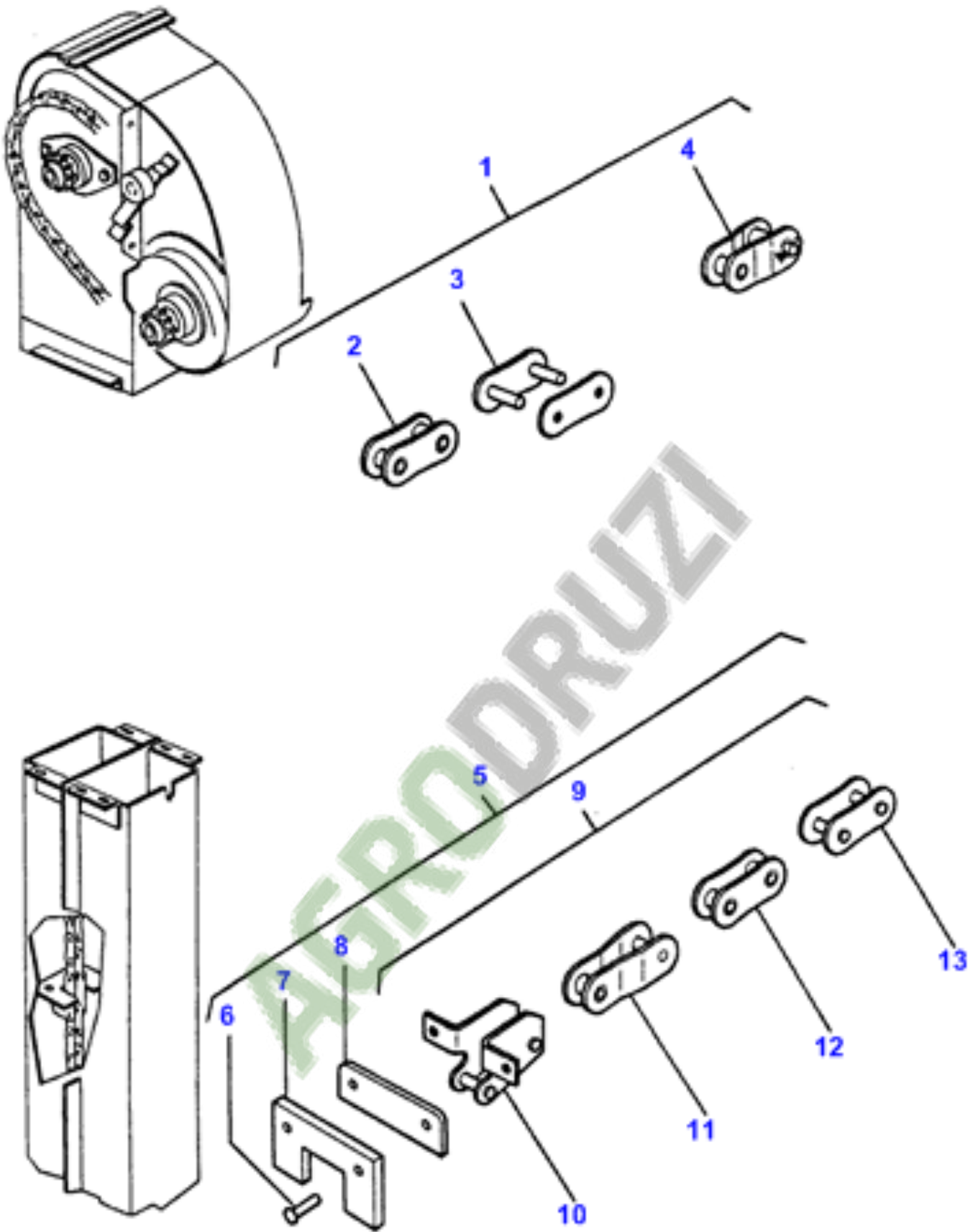
1 - 2620 - 029



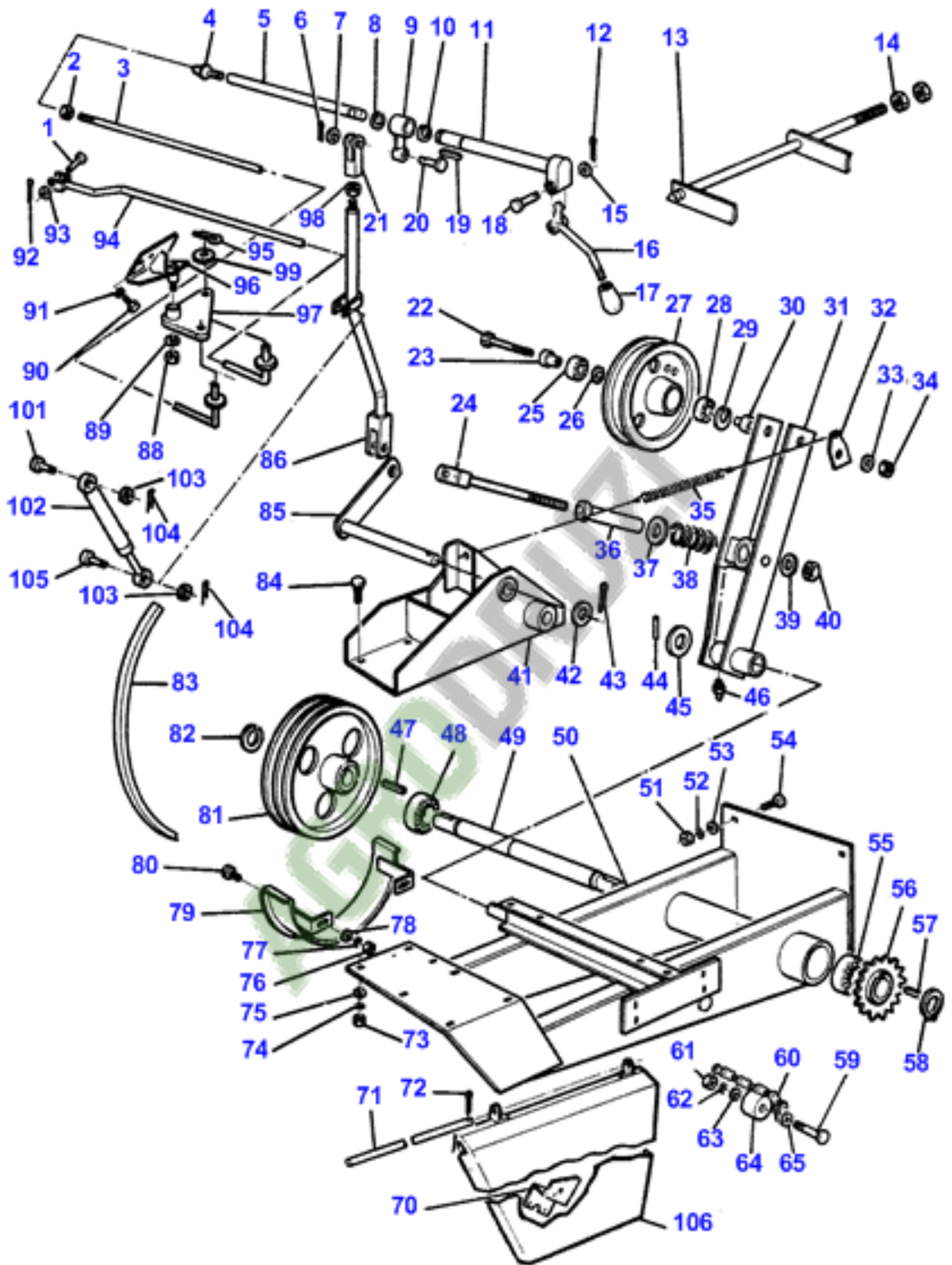
1-2625-019



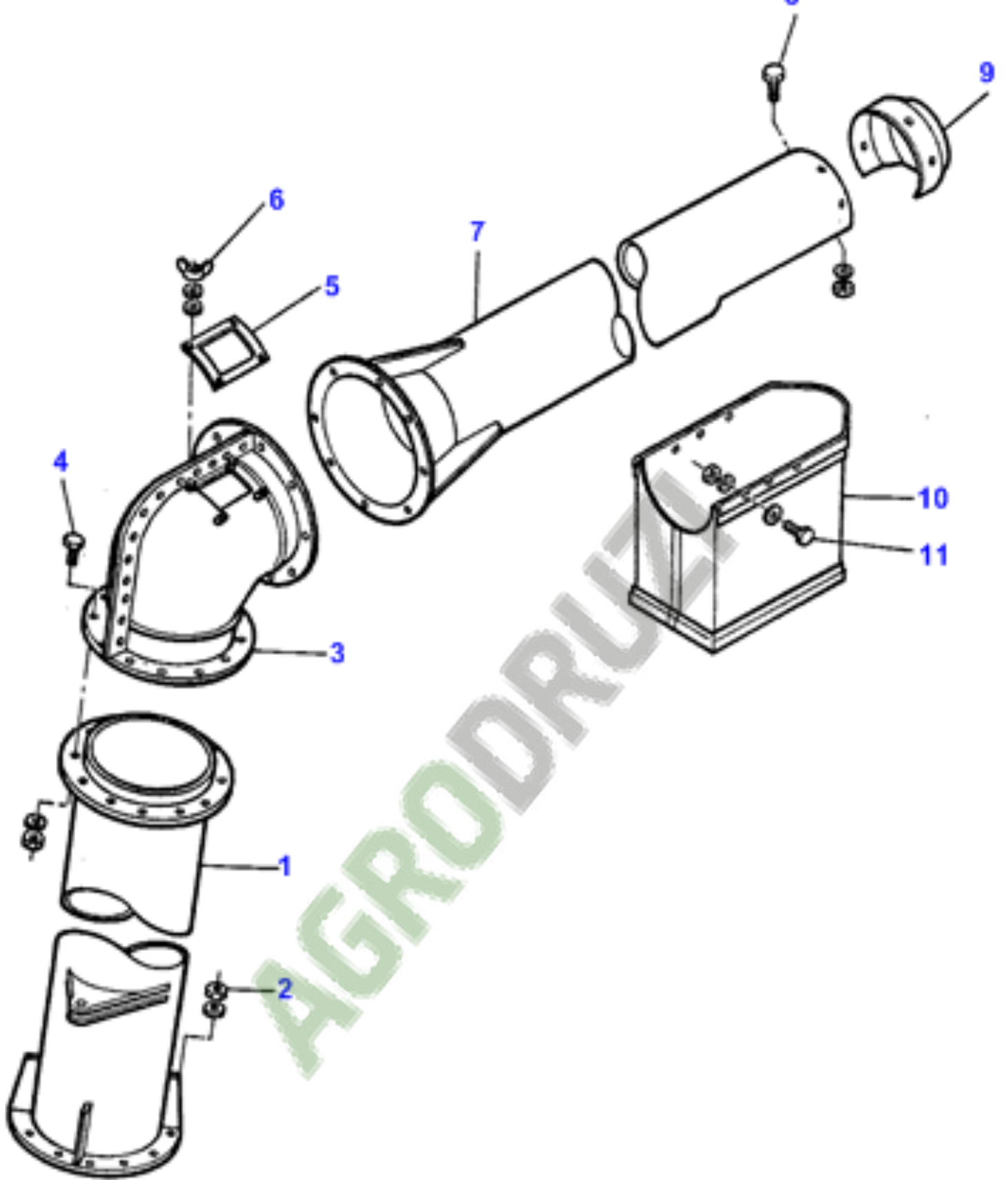
1-2625-016

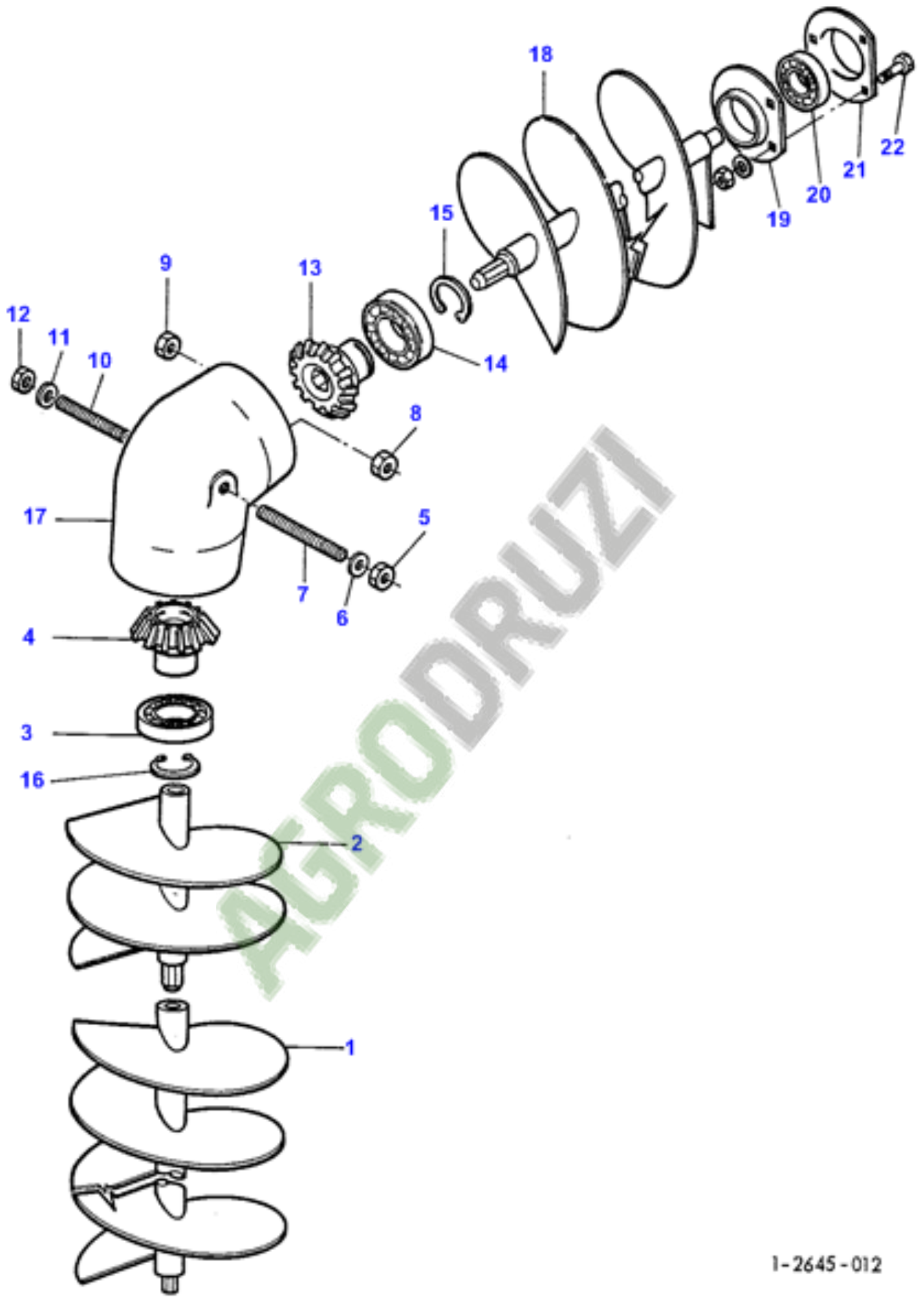


1-2625-021

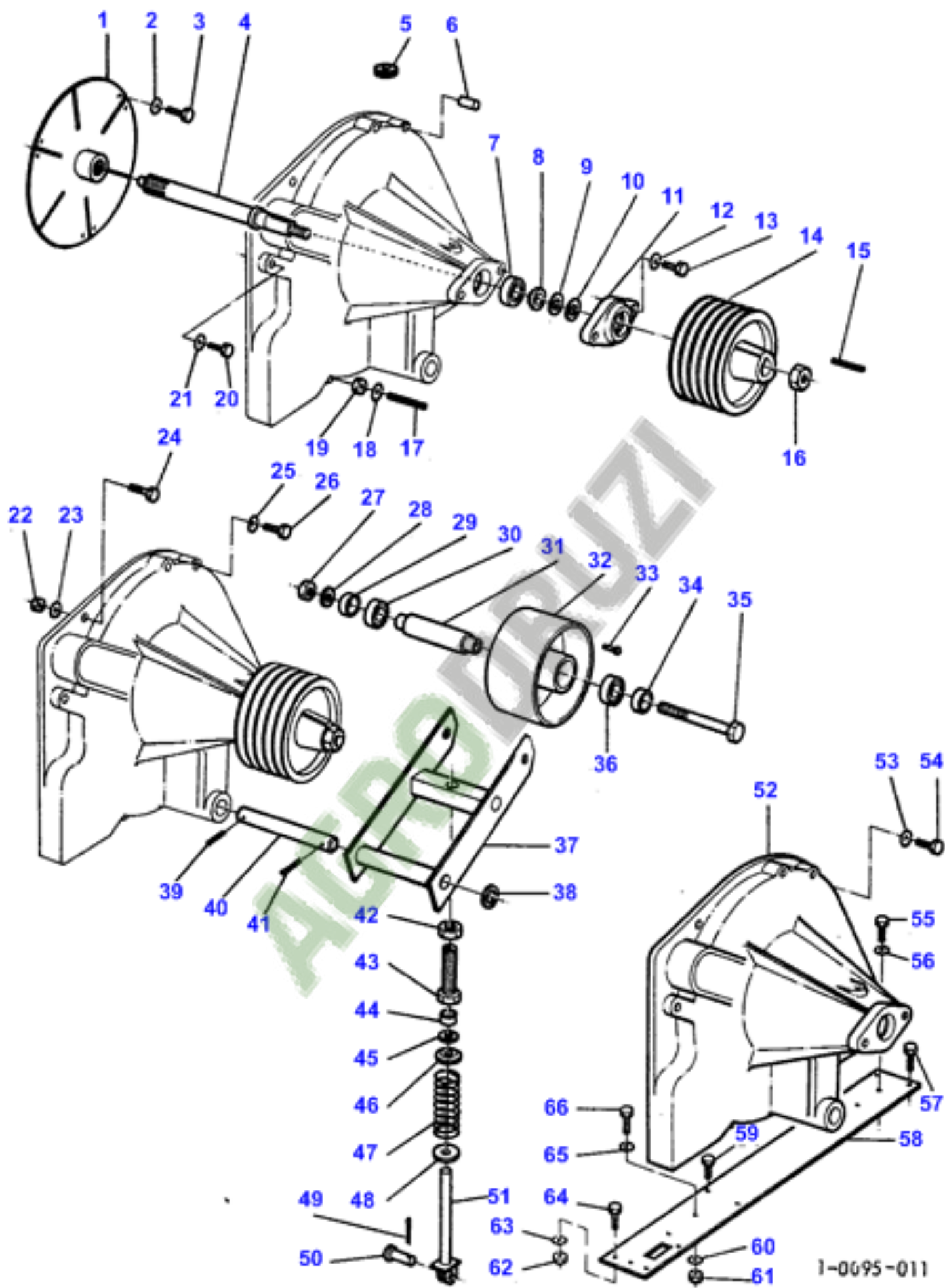


1-2637-004

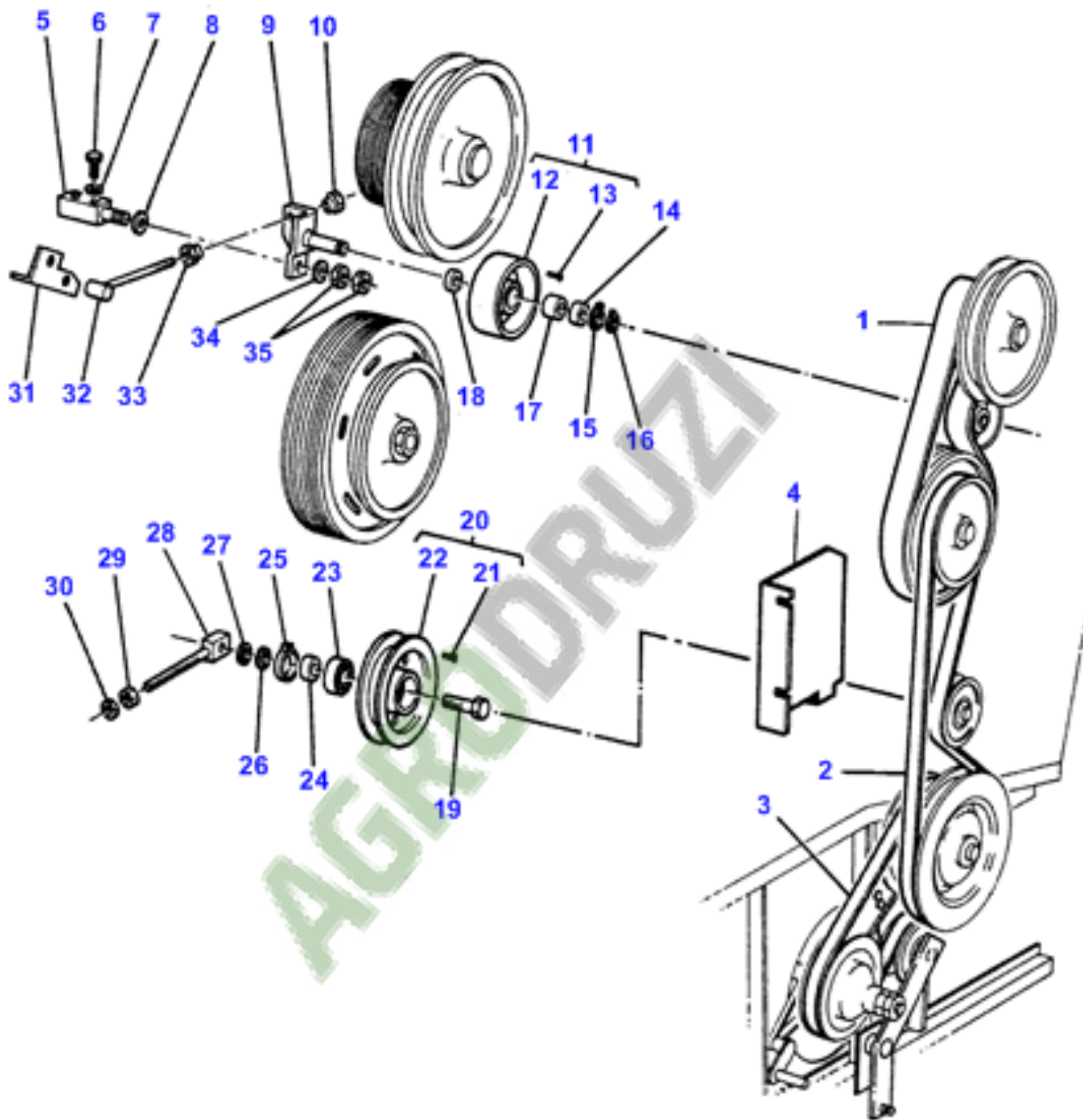




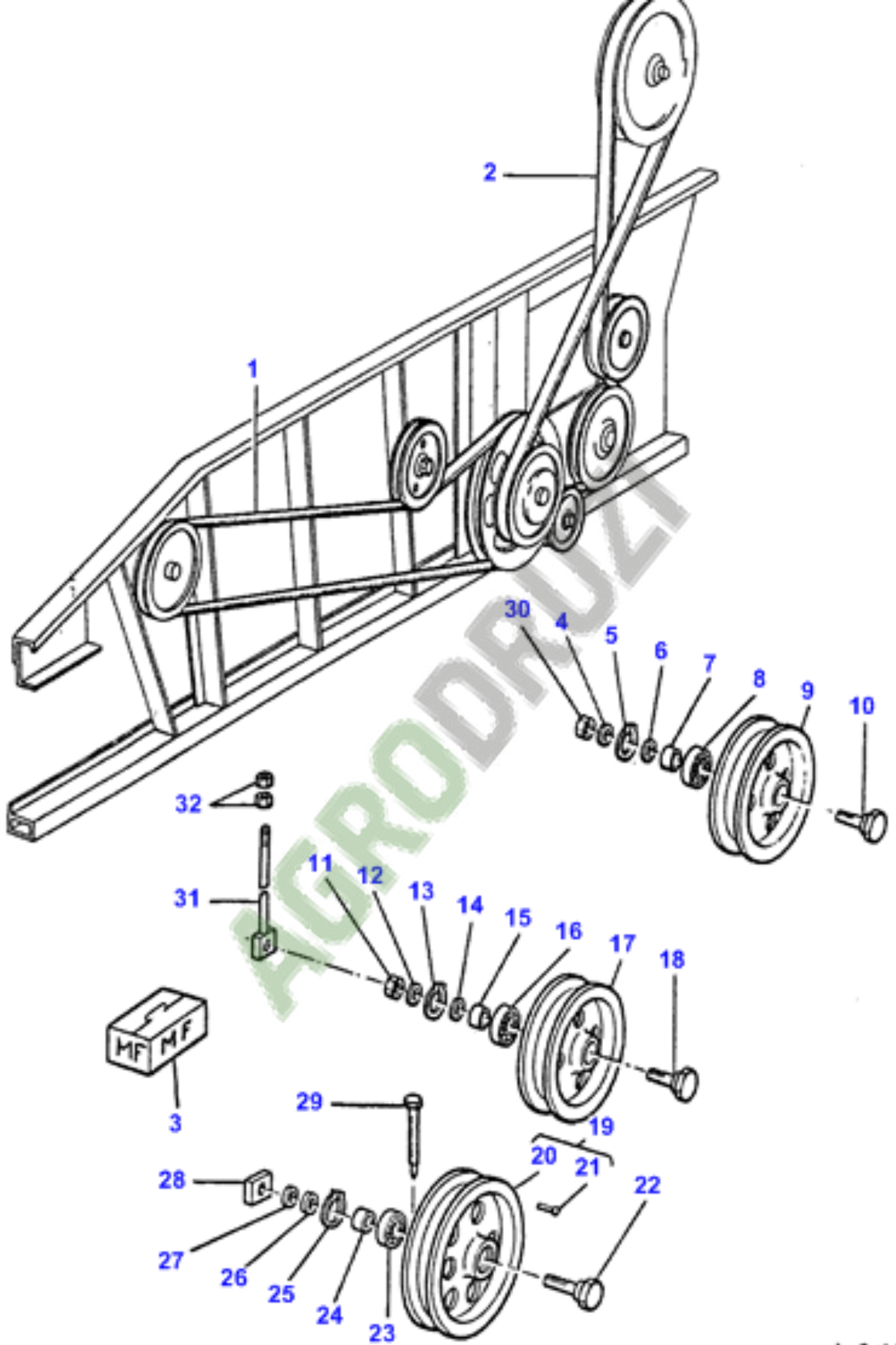
1-2645-012



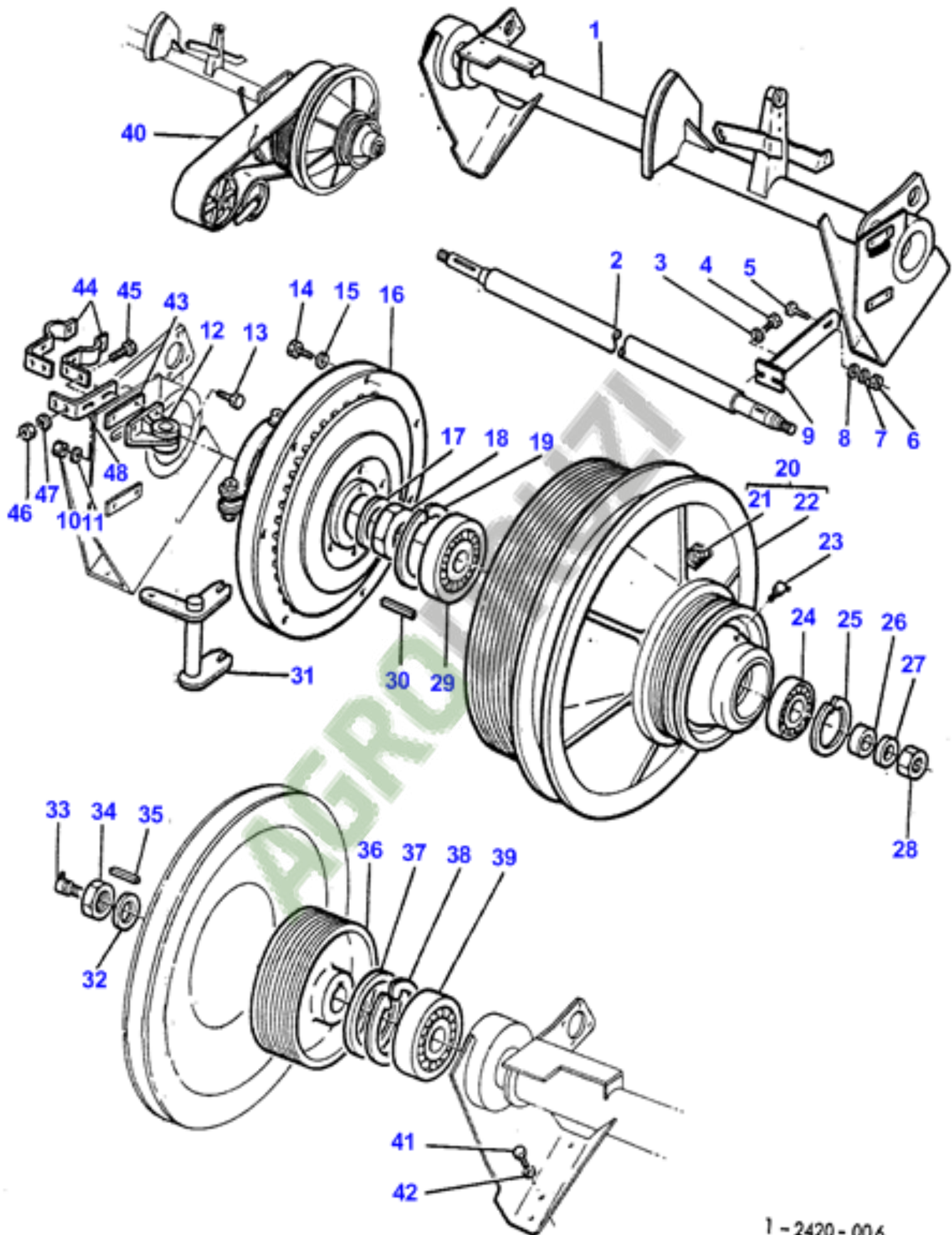
1-0095-011



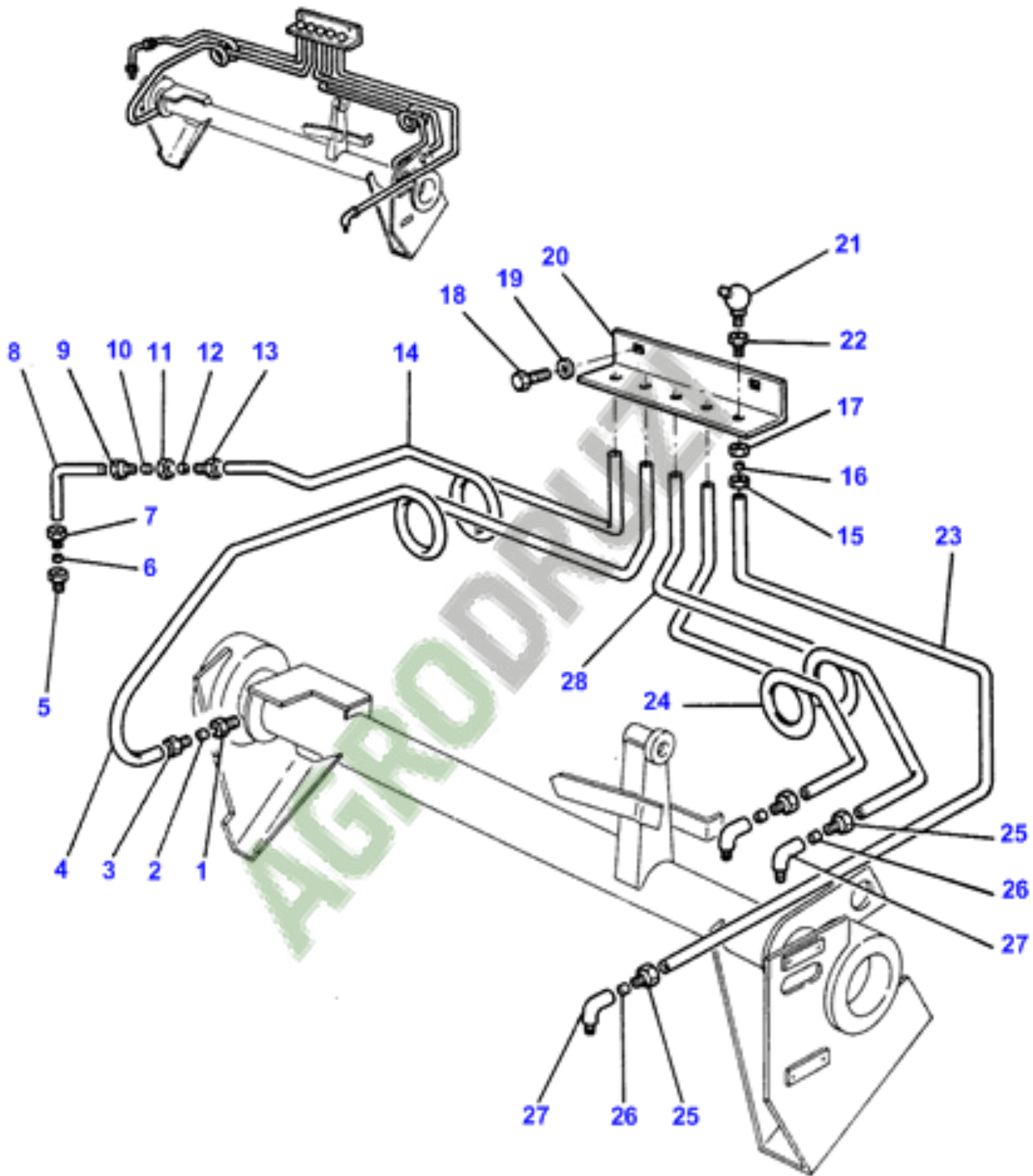
1-2415-006



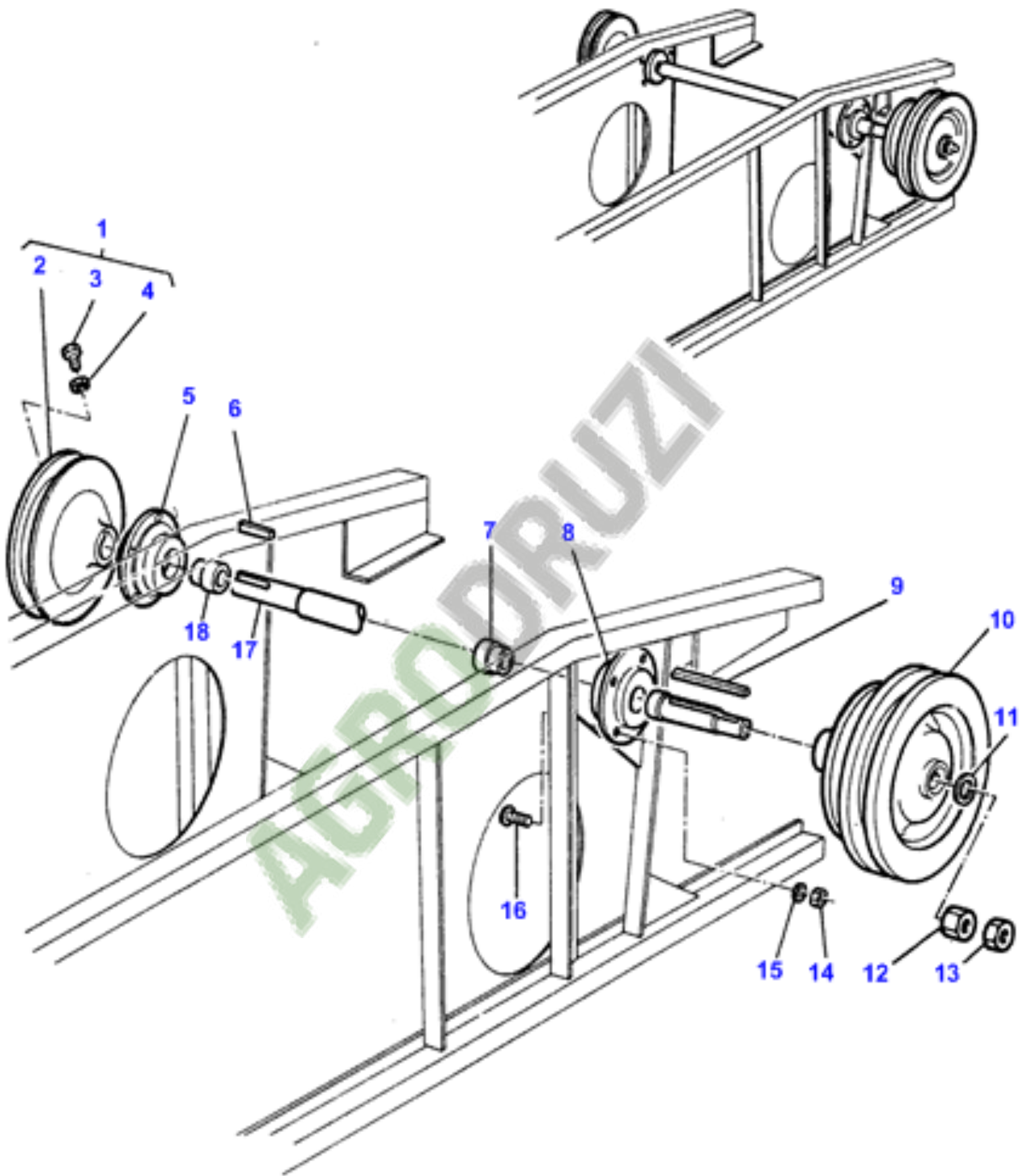
1-2415-005



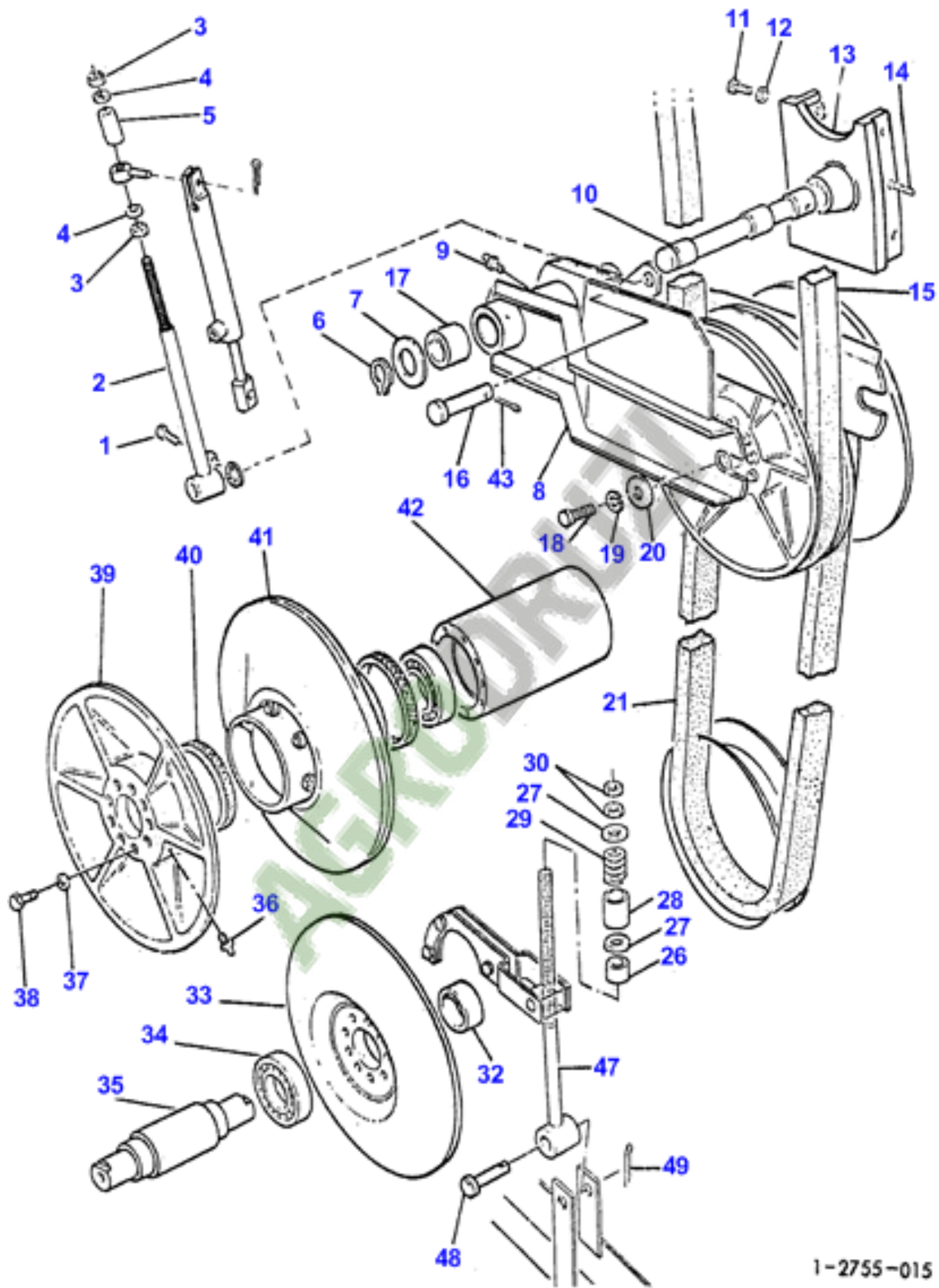
1 - 2420 - 006



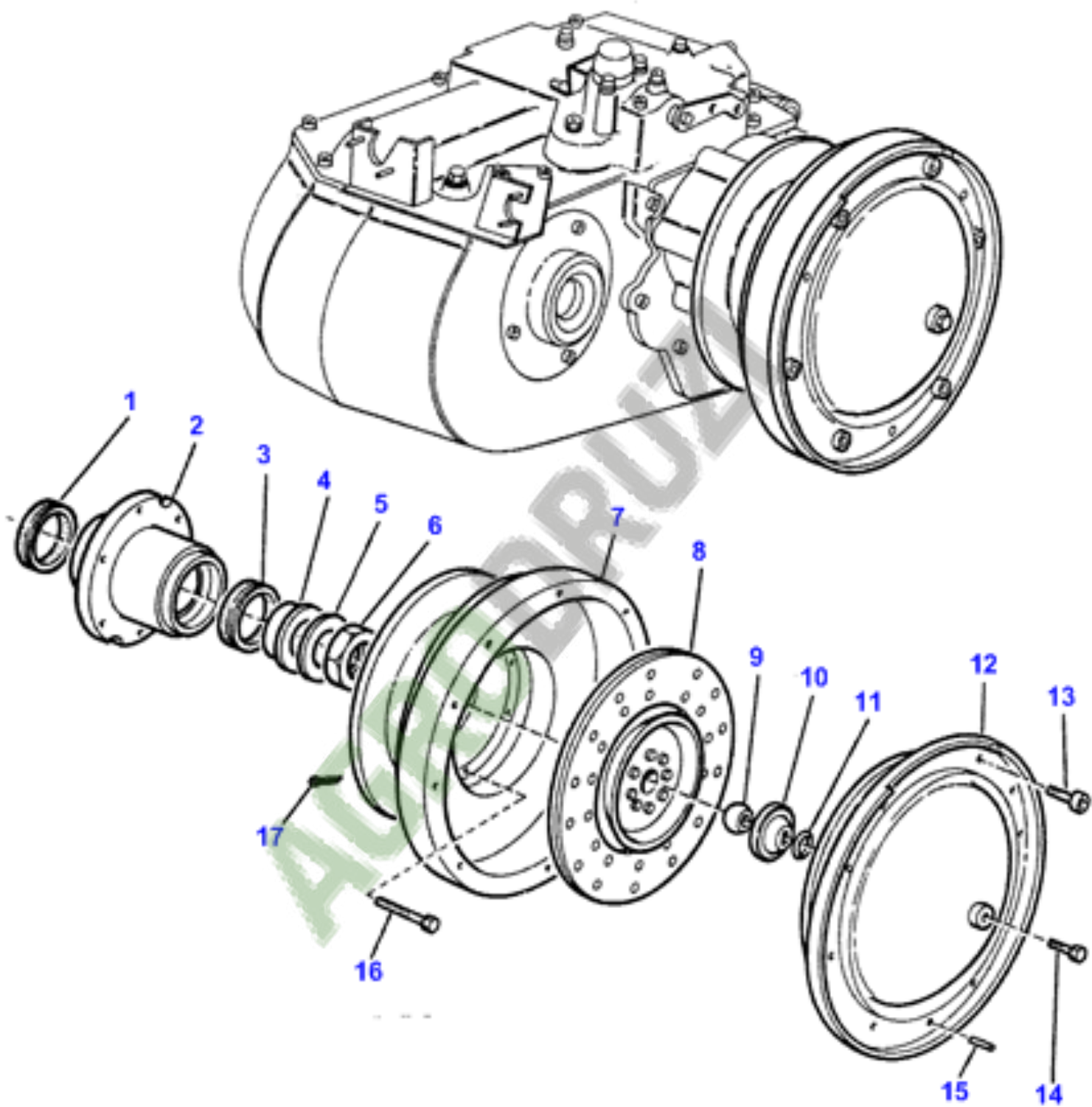
1-2420-004



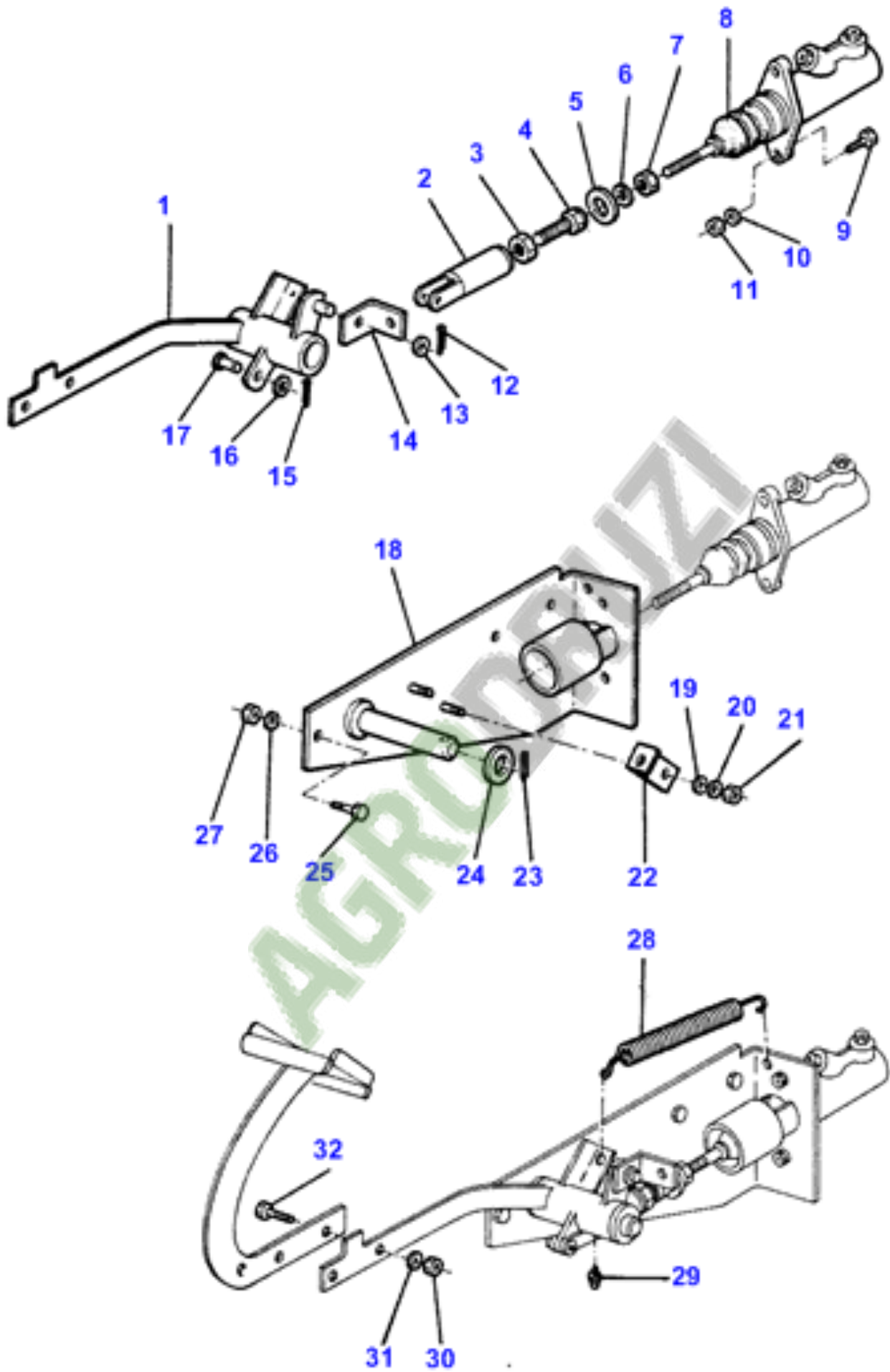
1 - 2800 - 003



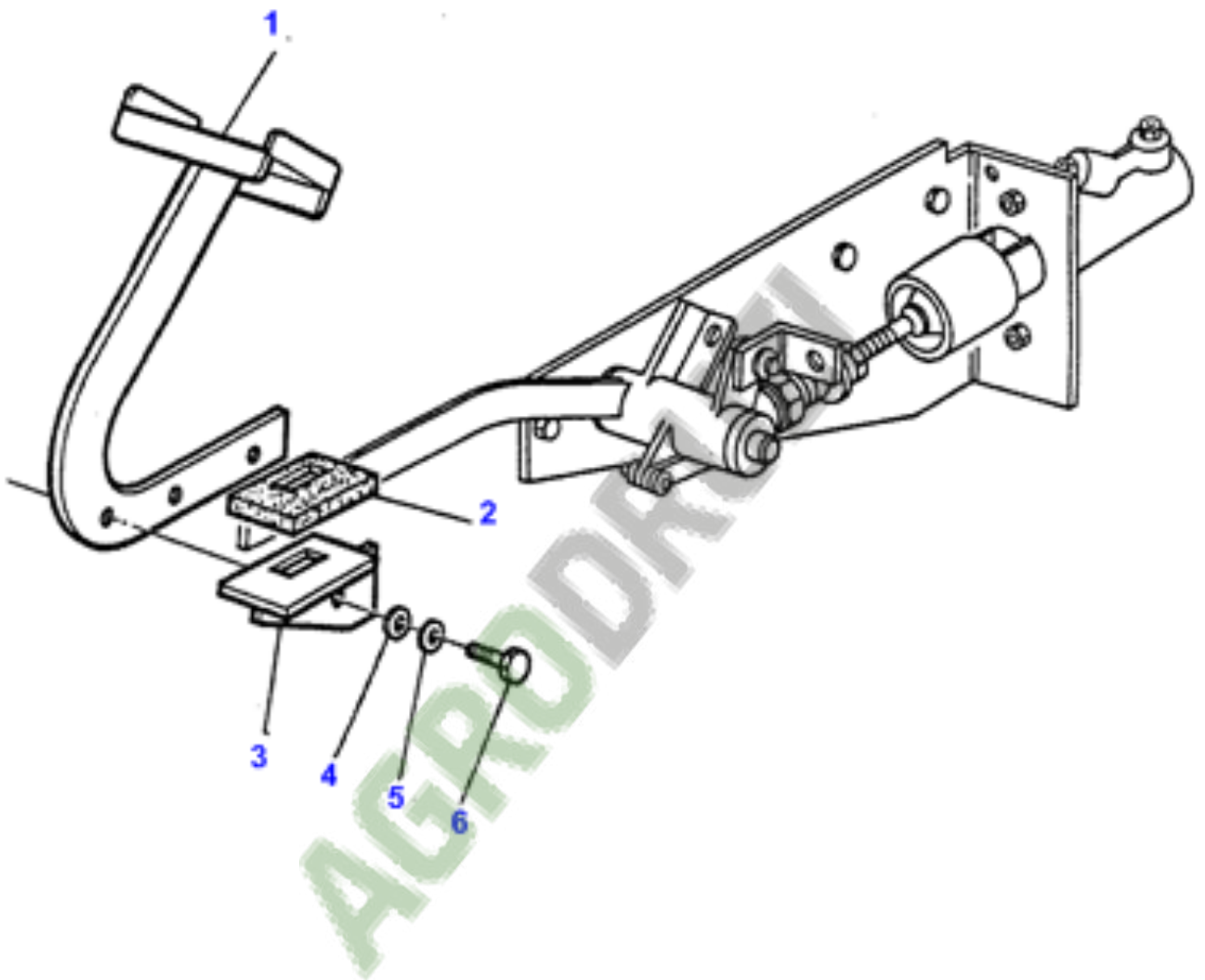
1-2755-015



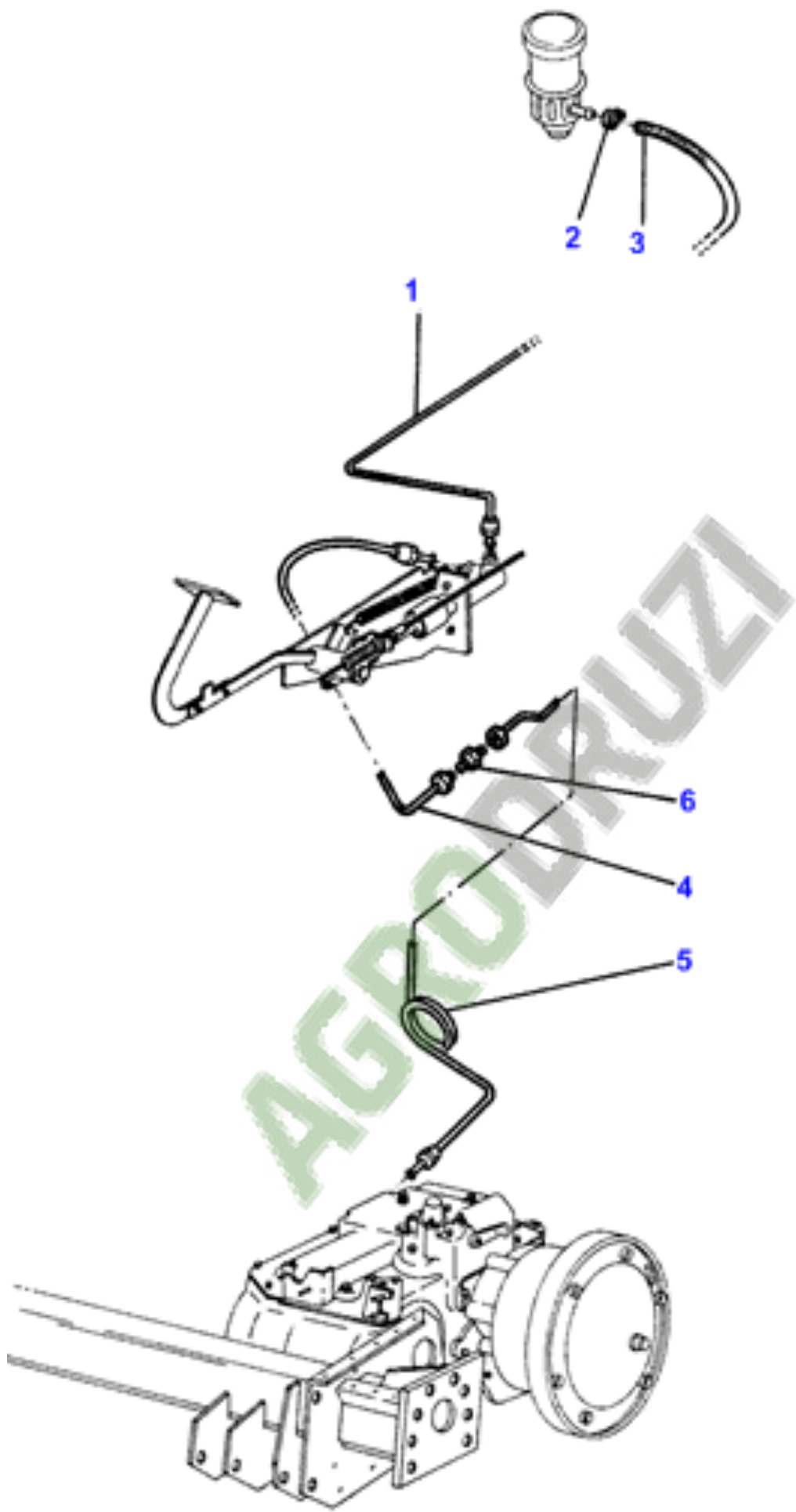
1-2760-007



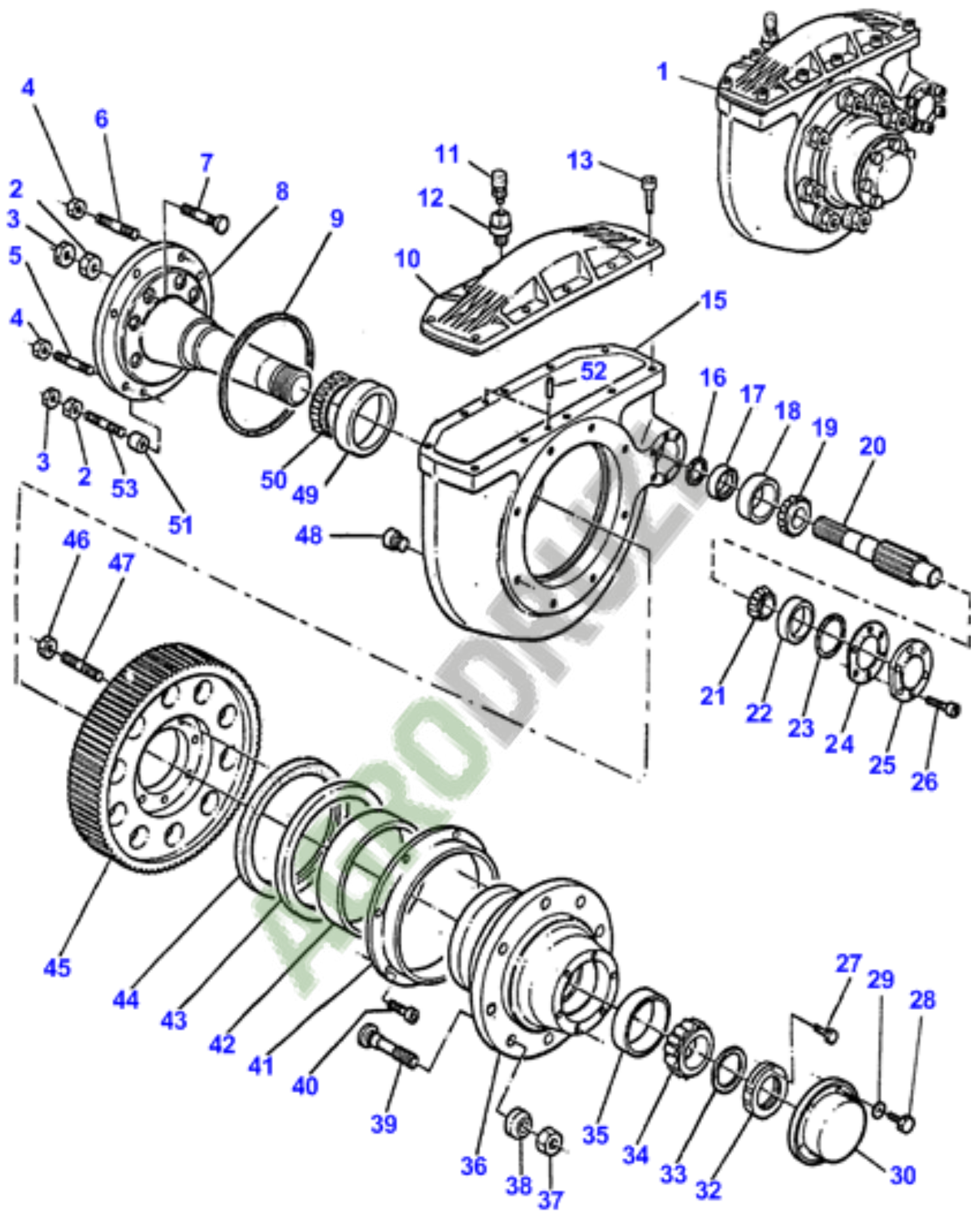
1-2760-017



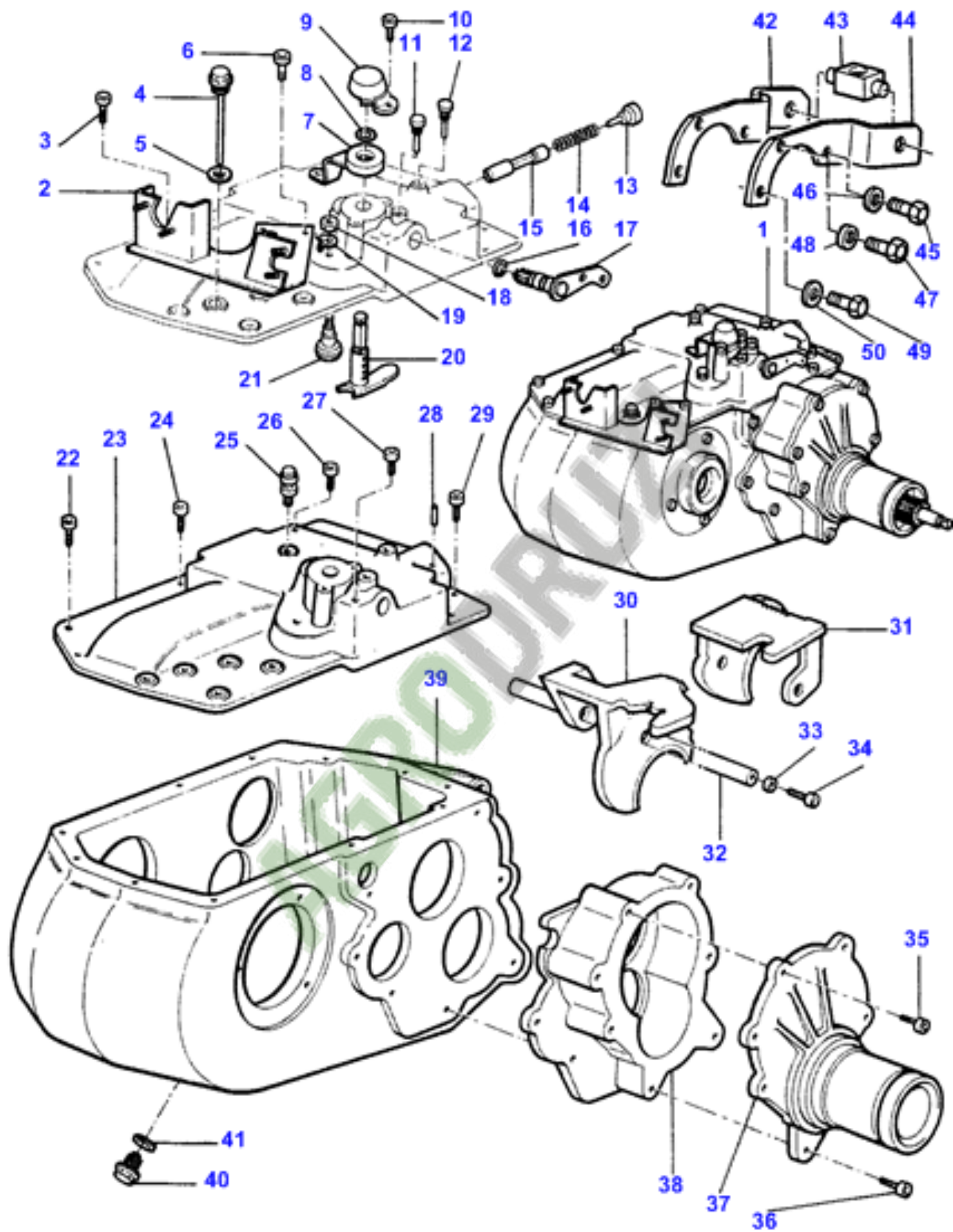
1-2760-020



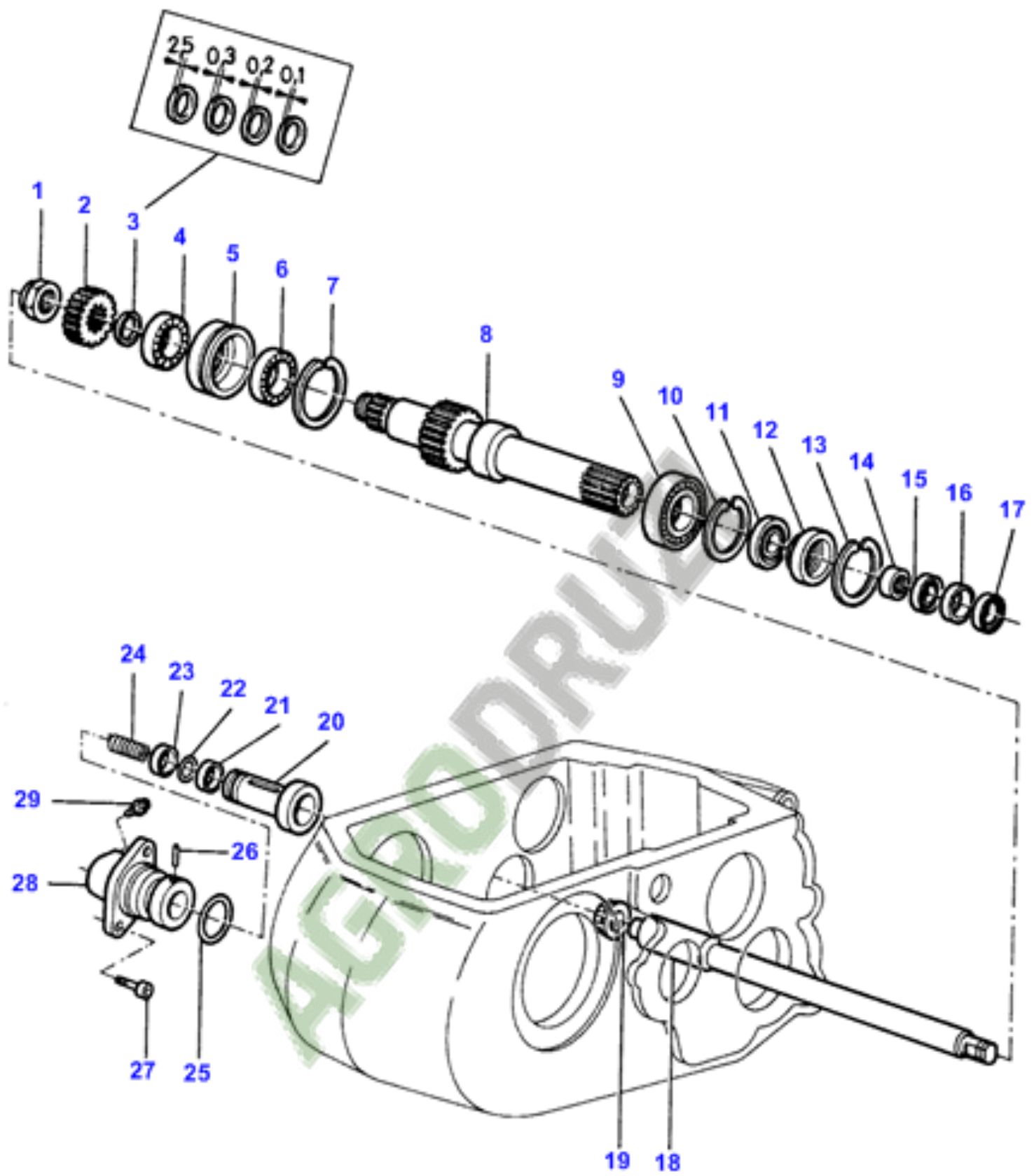
1-2760-027



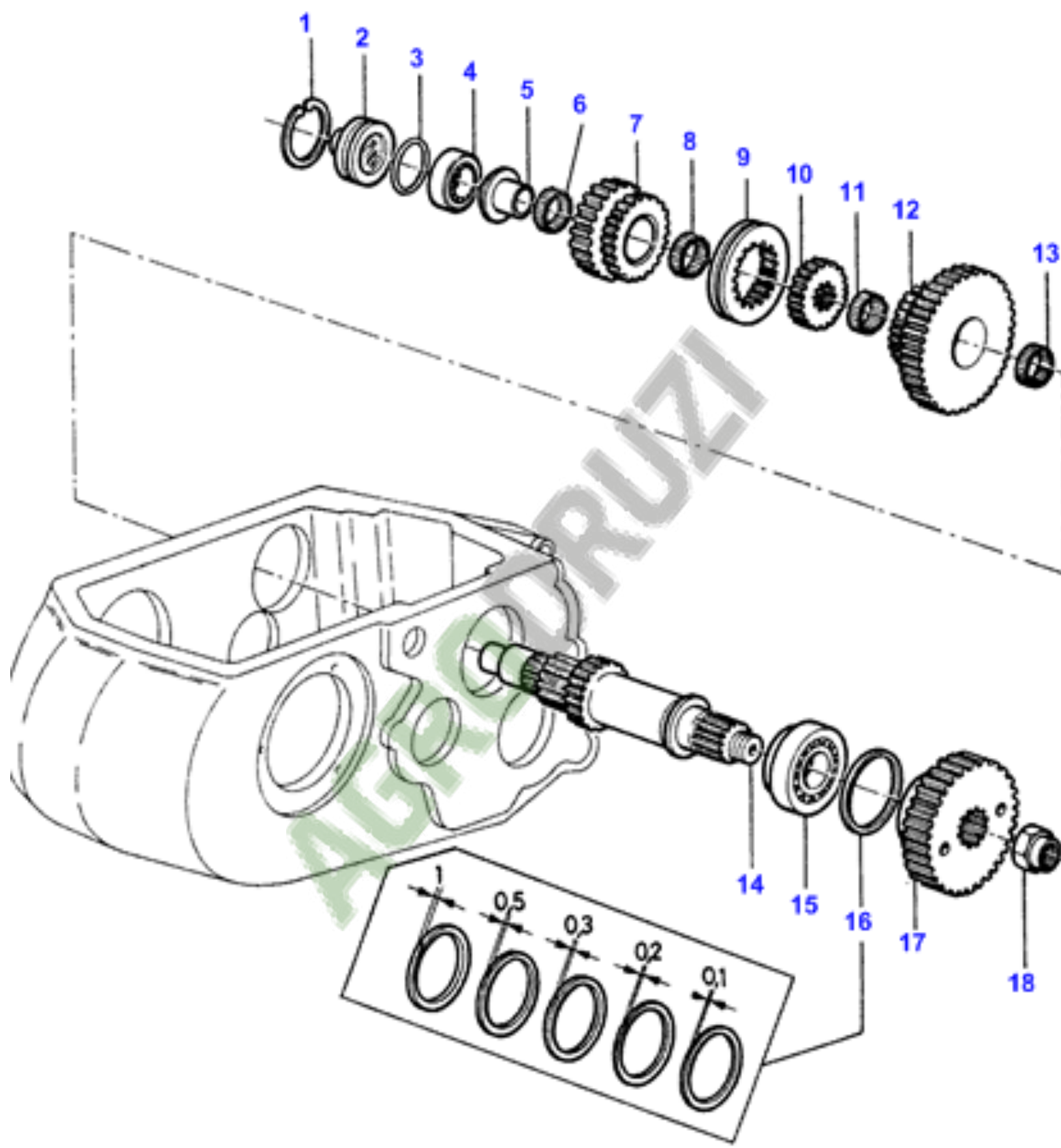
1-1985-025



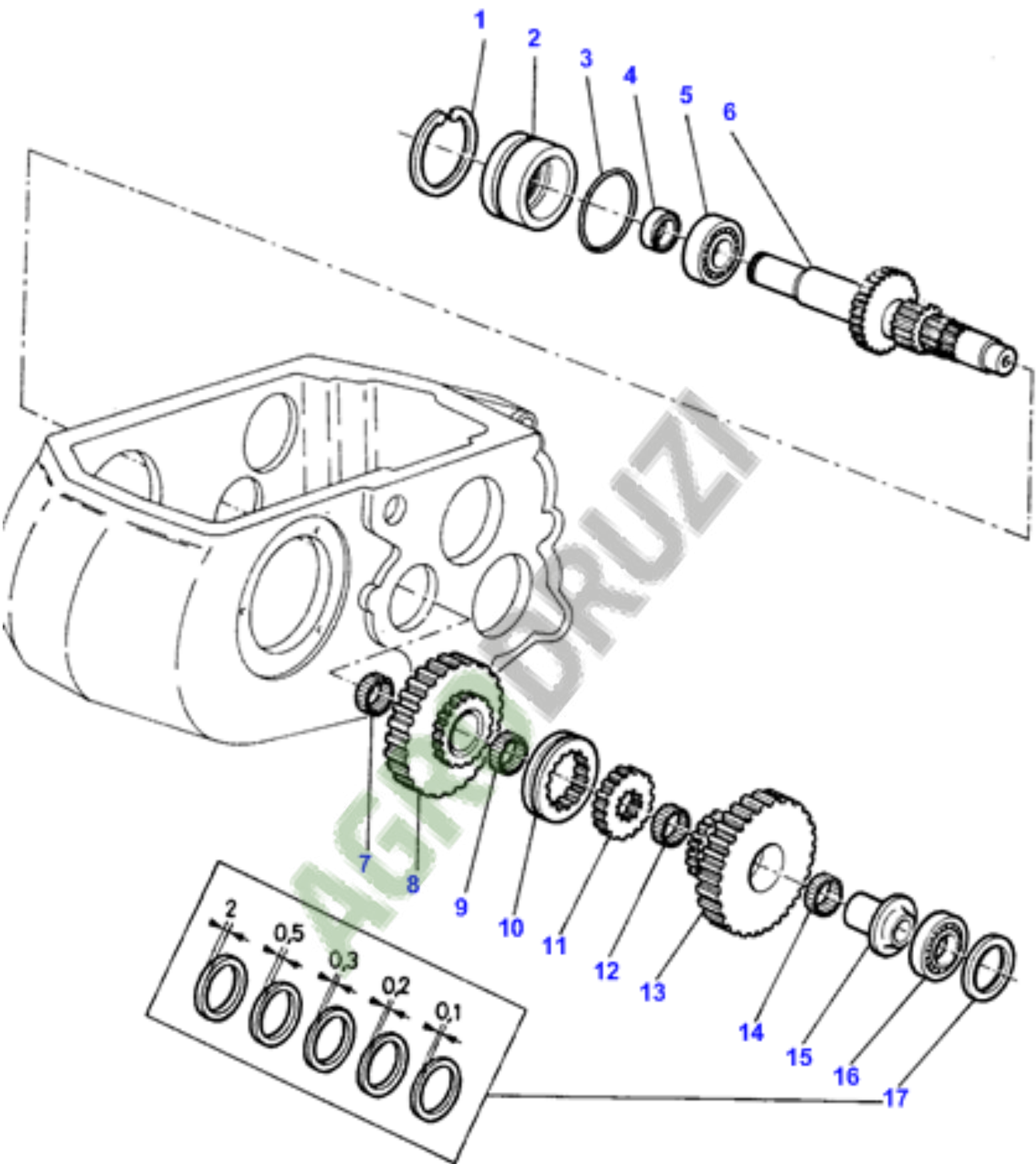
1-2765-023



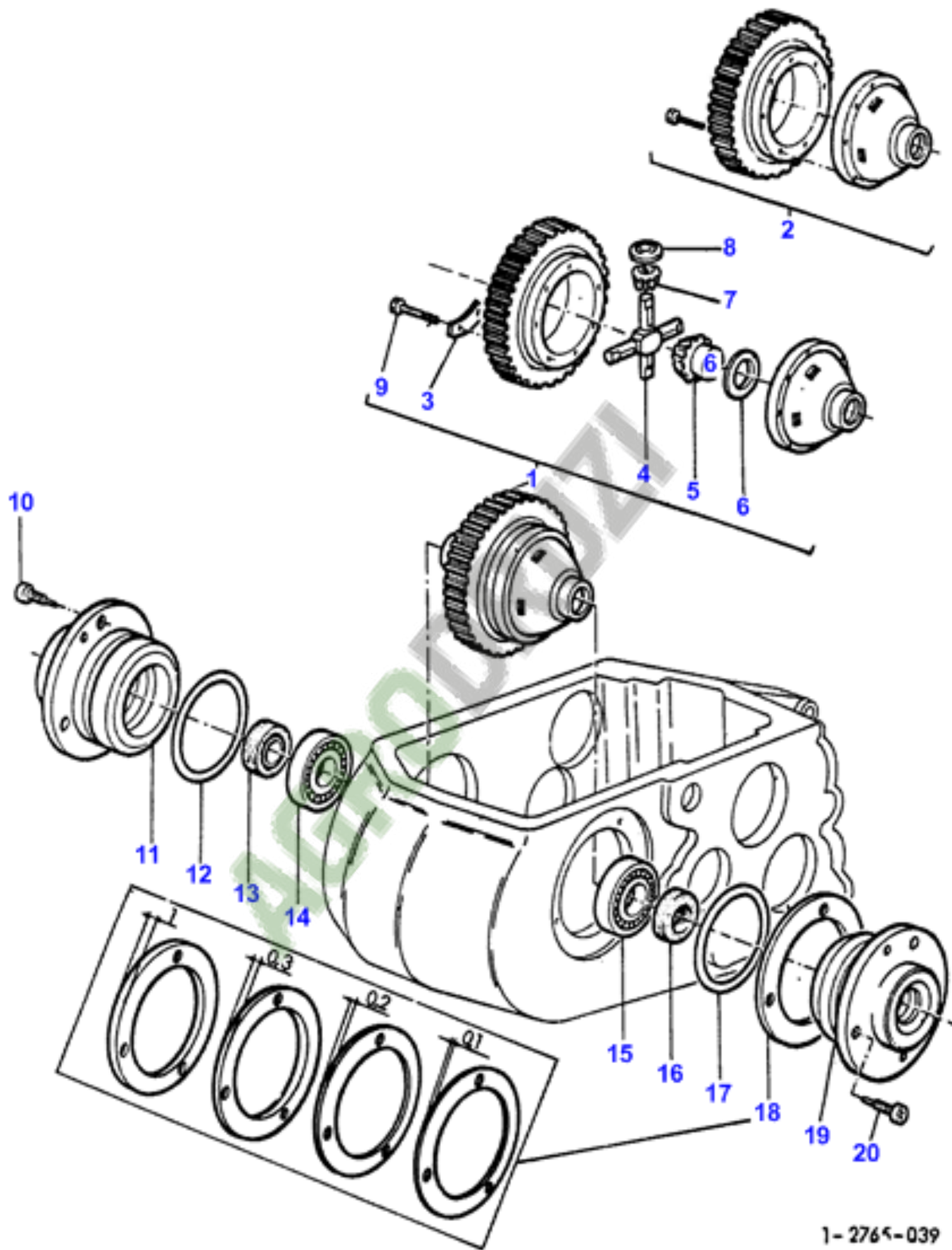
1-2765-034



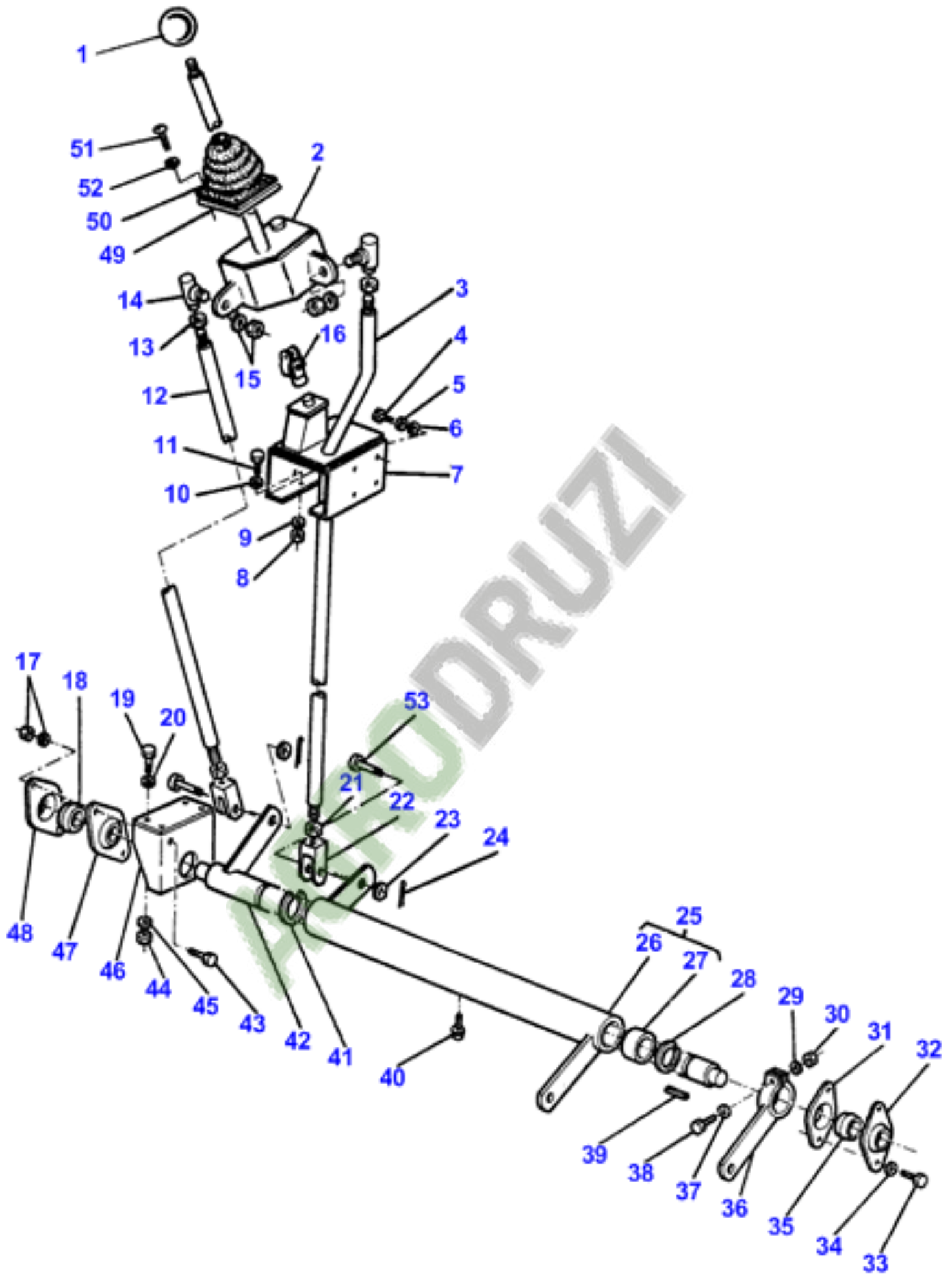
1 - 2765 - 033



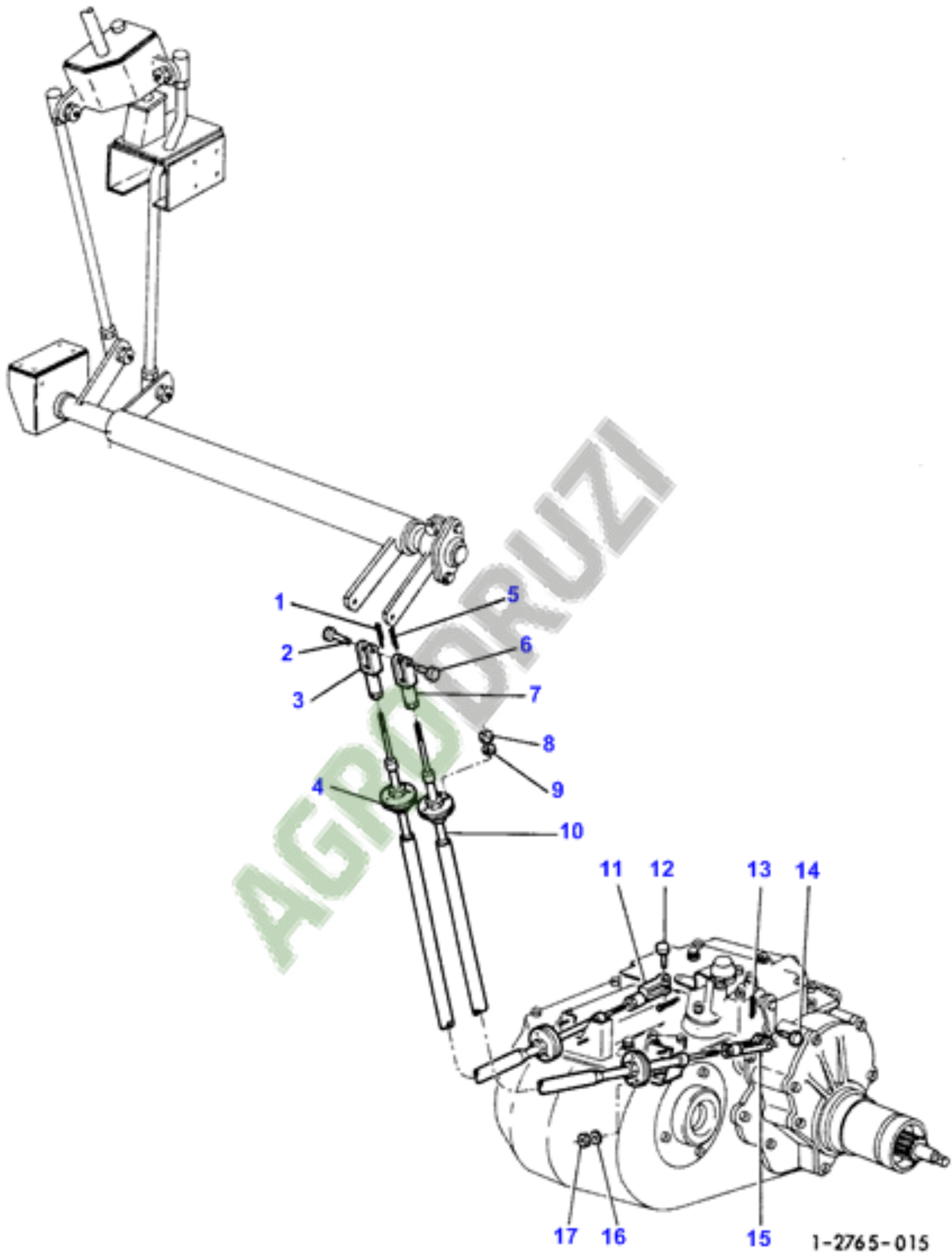
1- 2765- 032

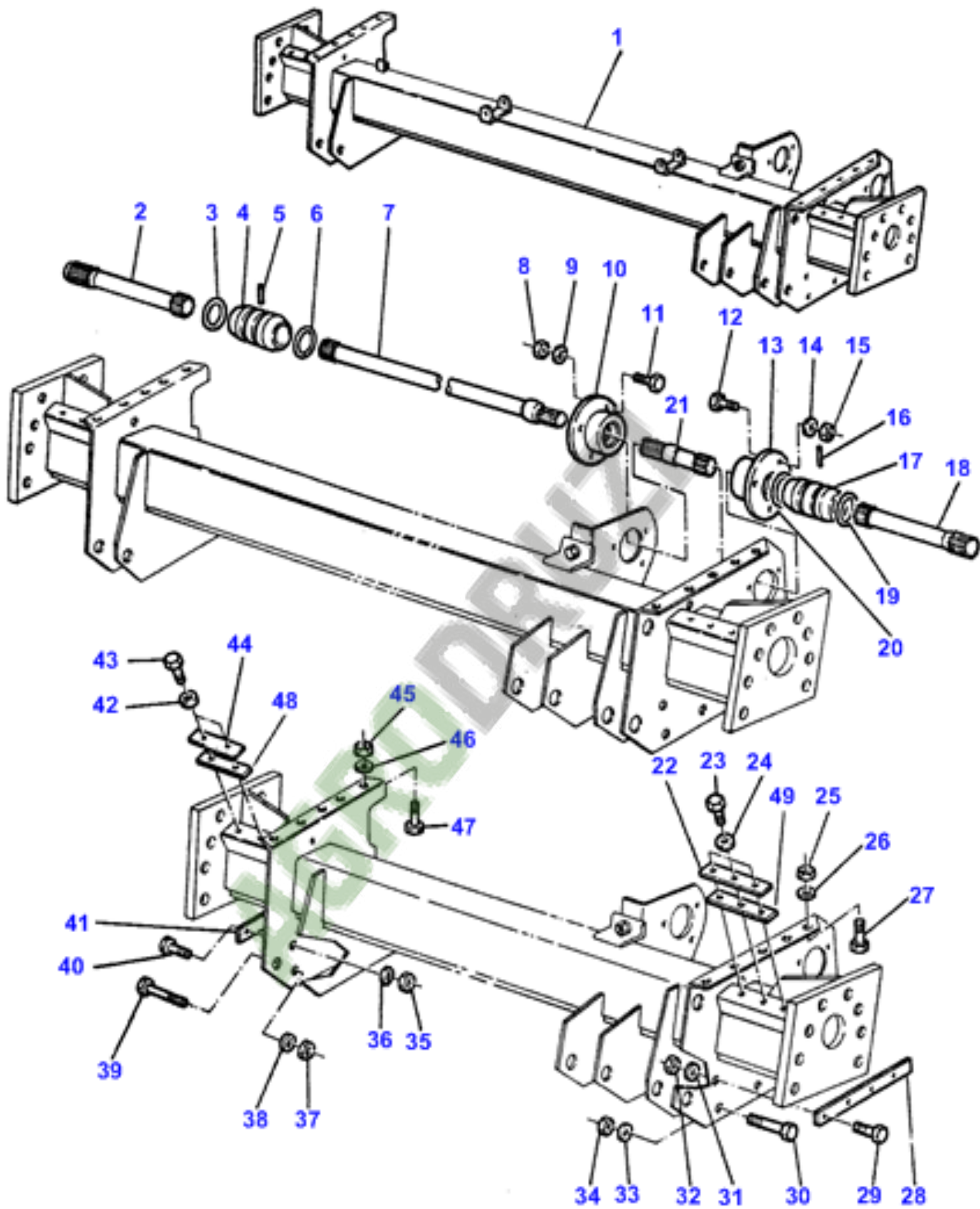


1-2769-039

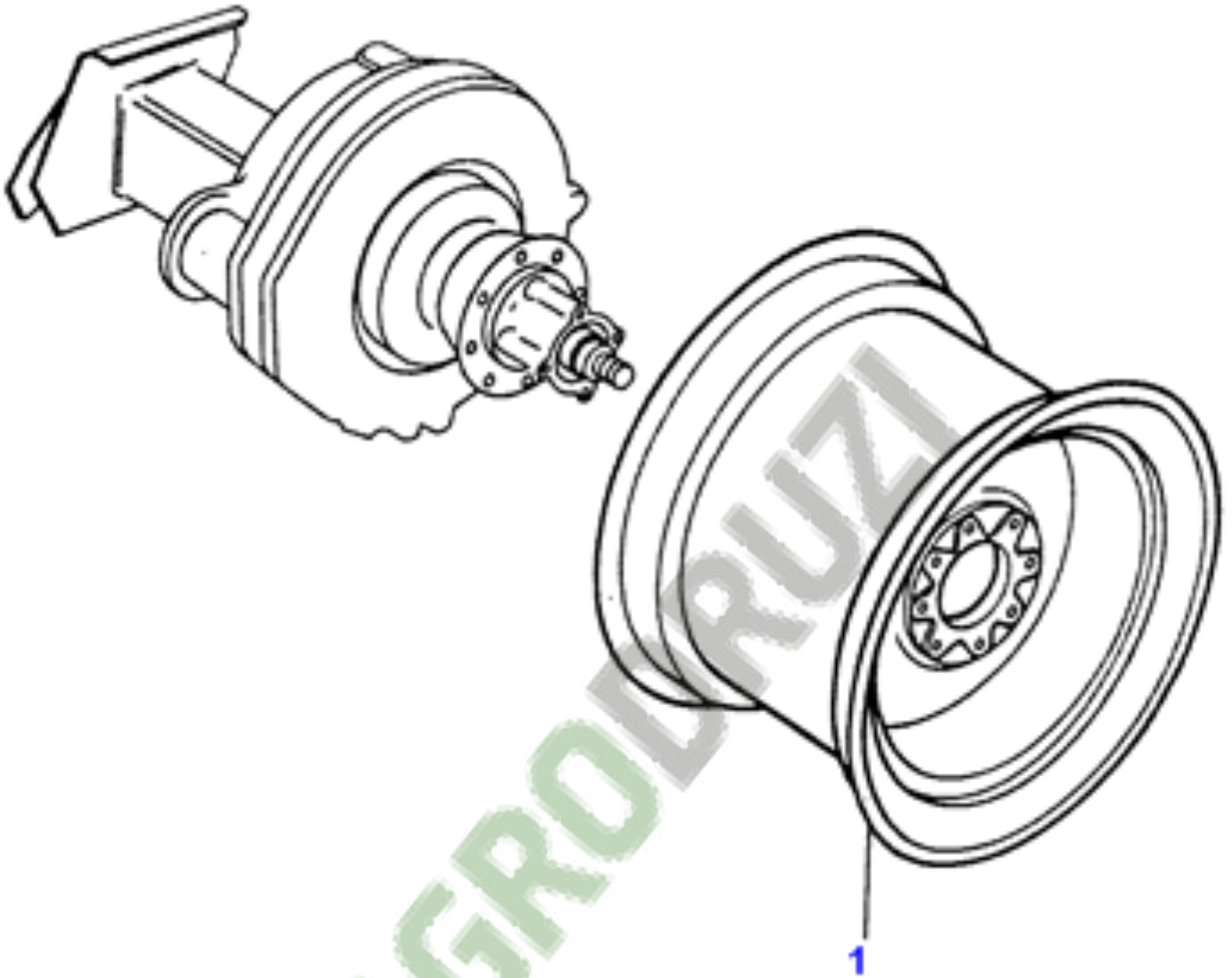


1-2765-041

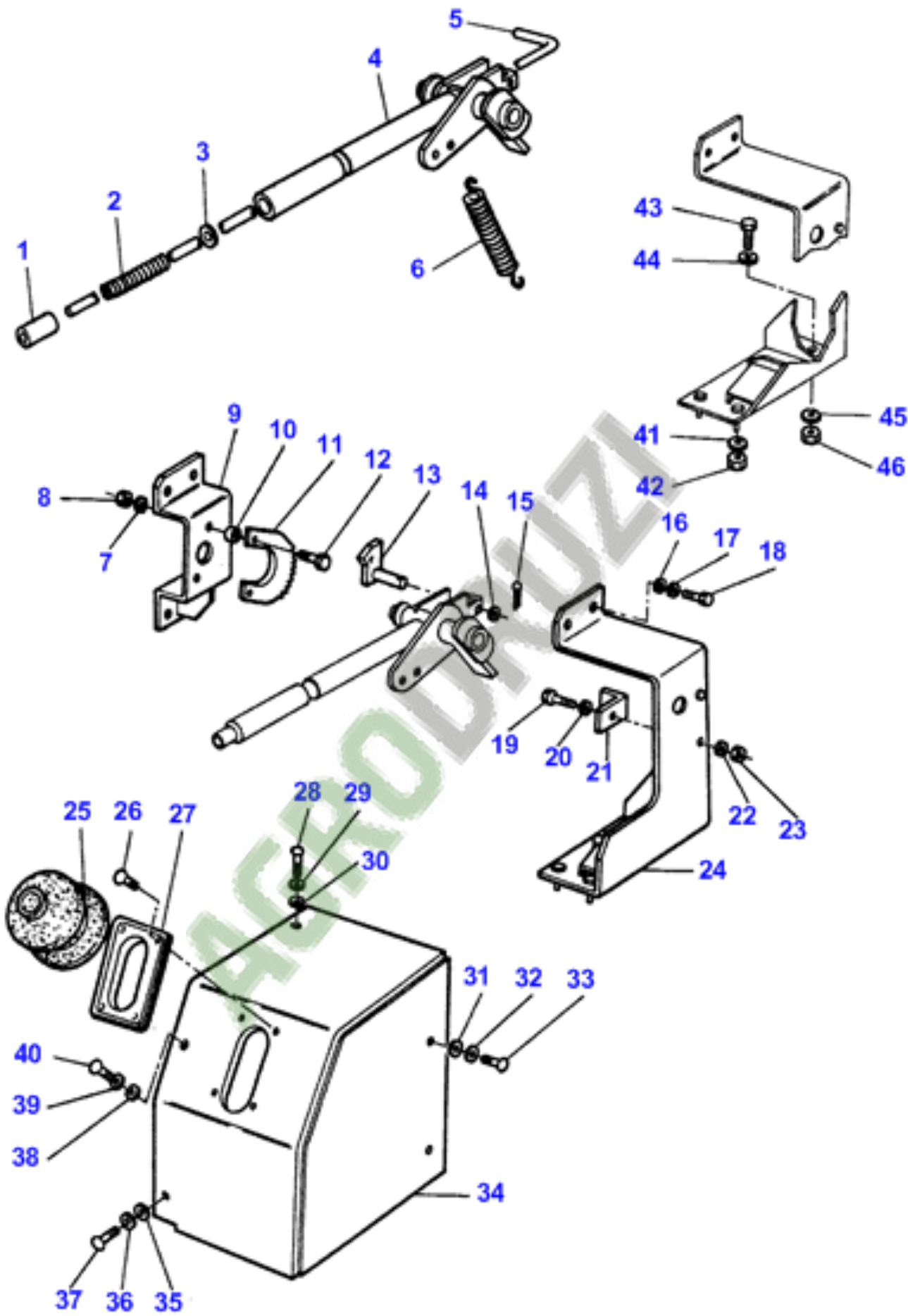




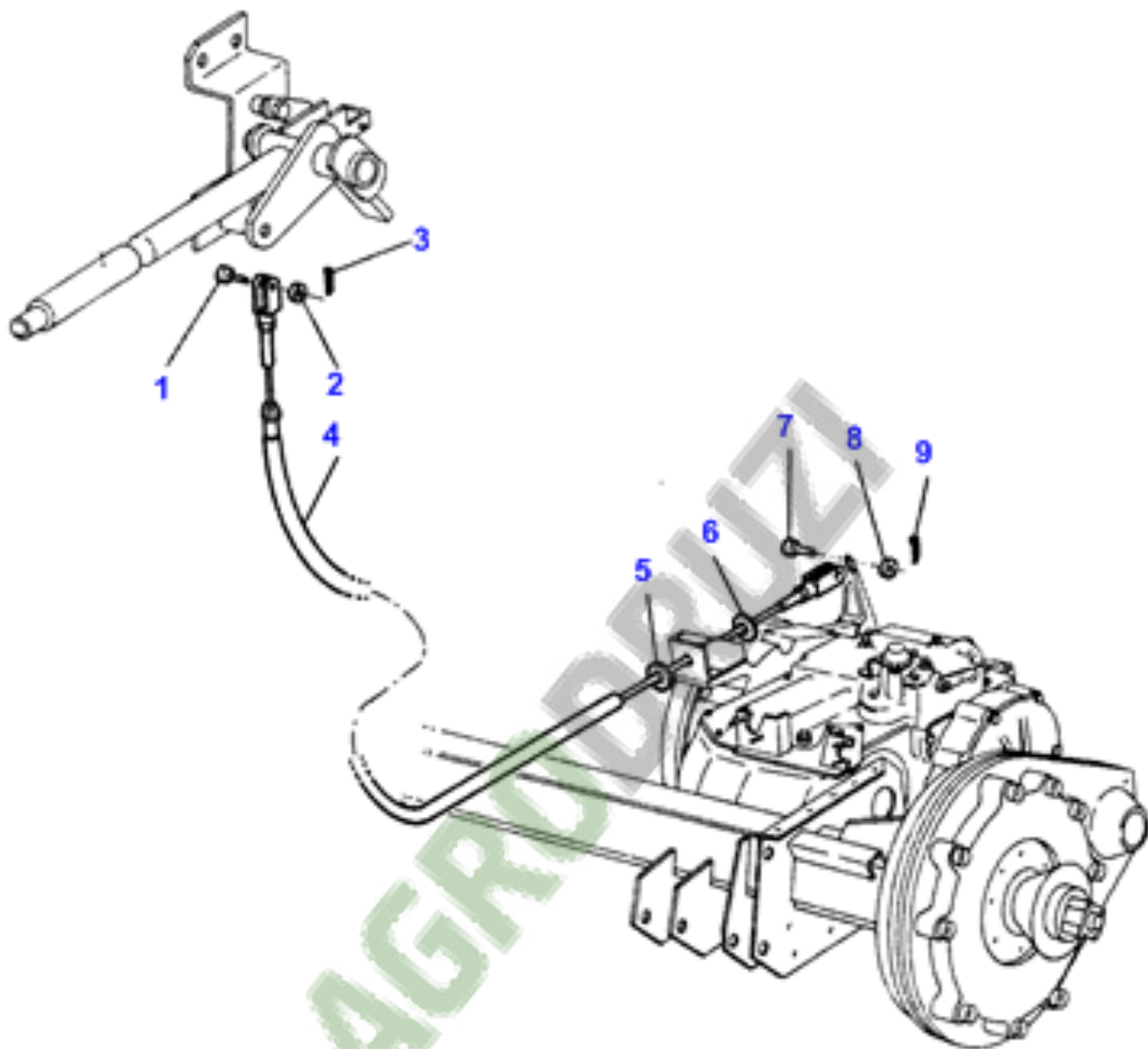
1-2780-005



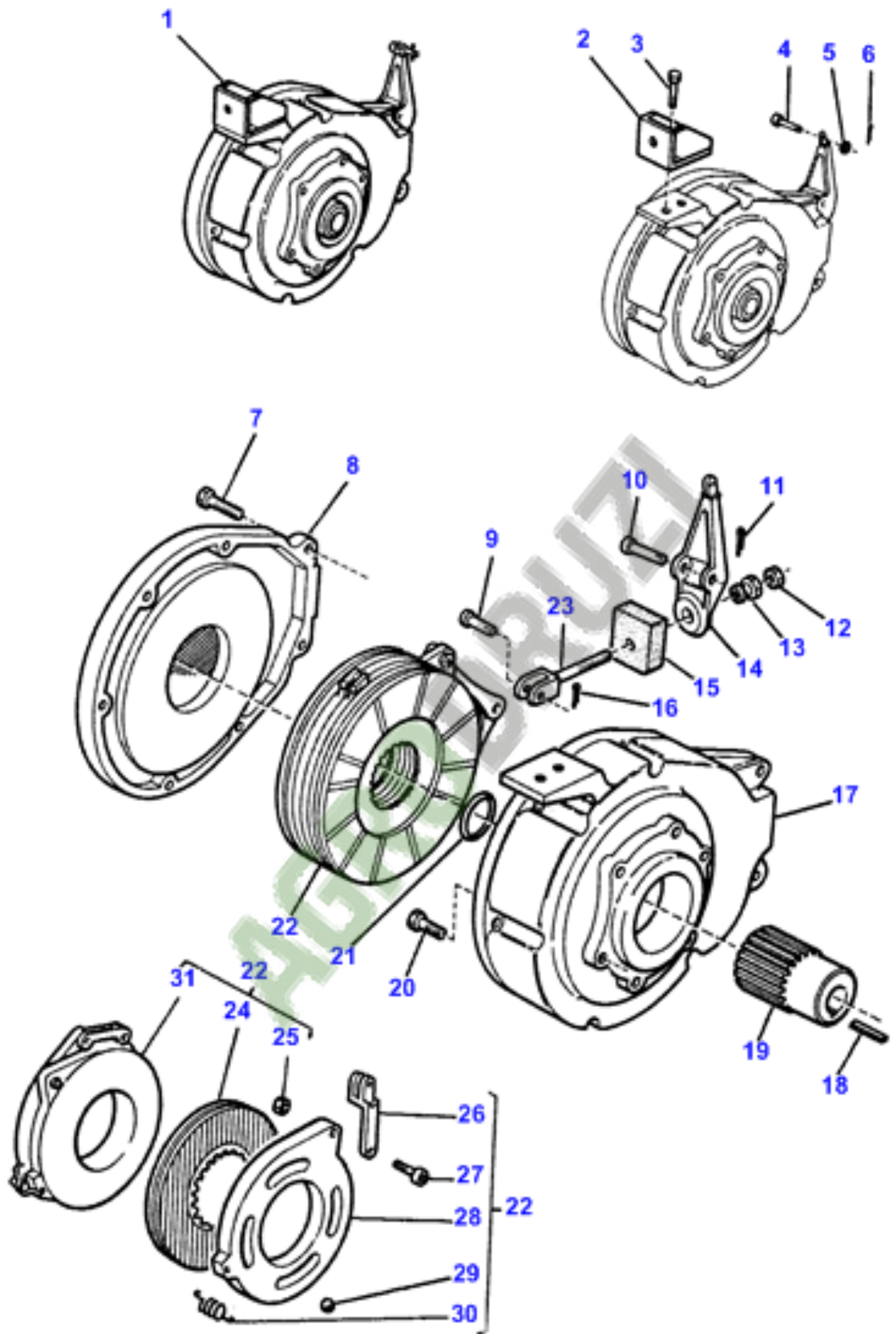
1-2785-001



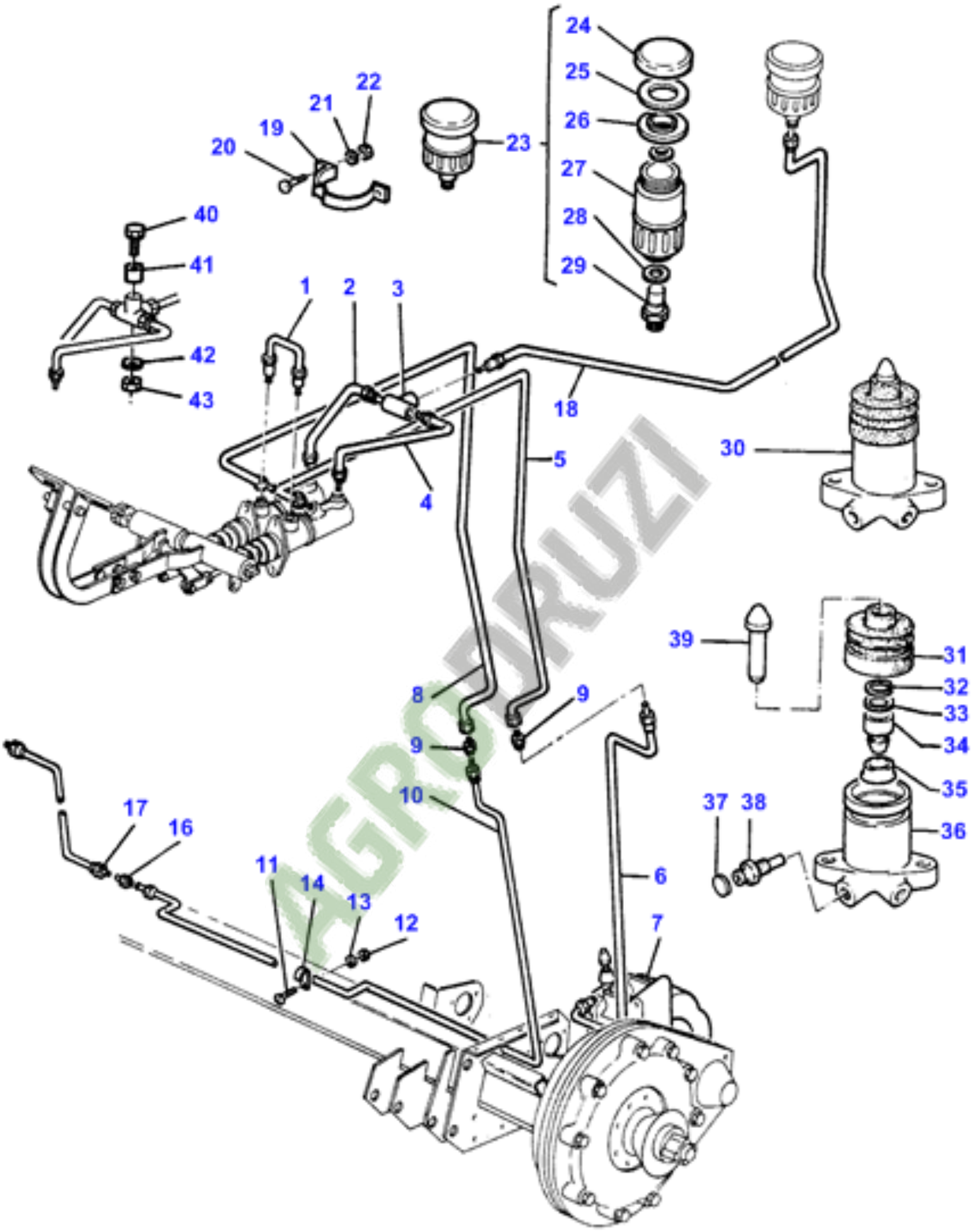
1-2835-006



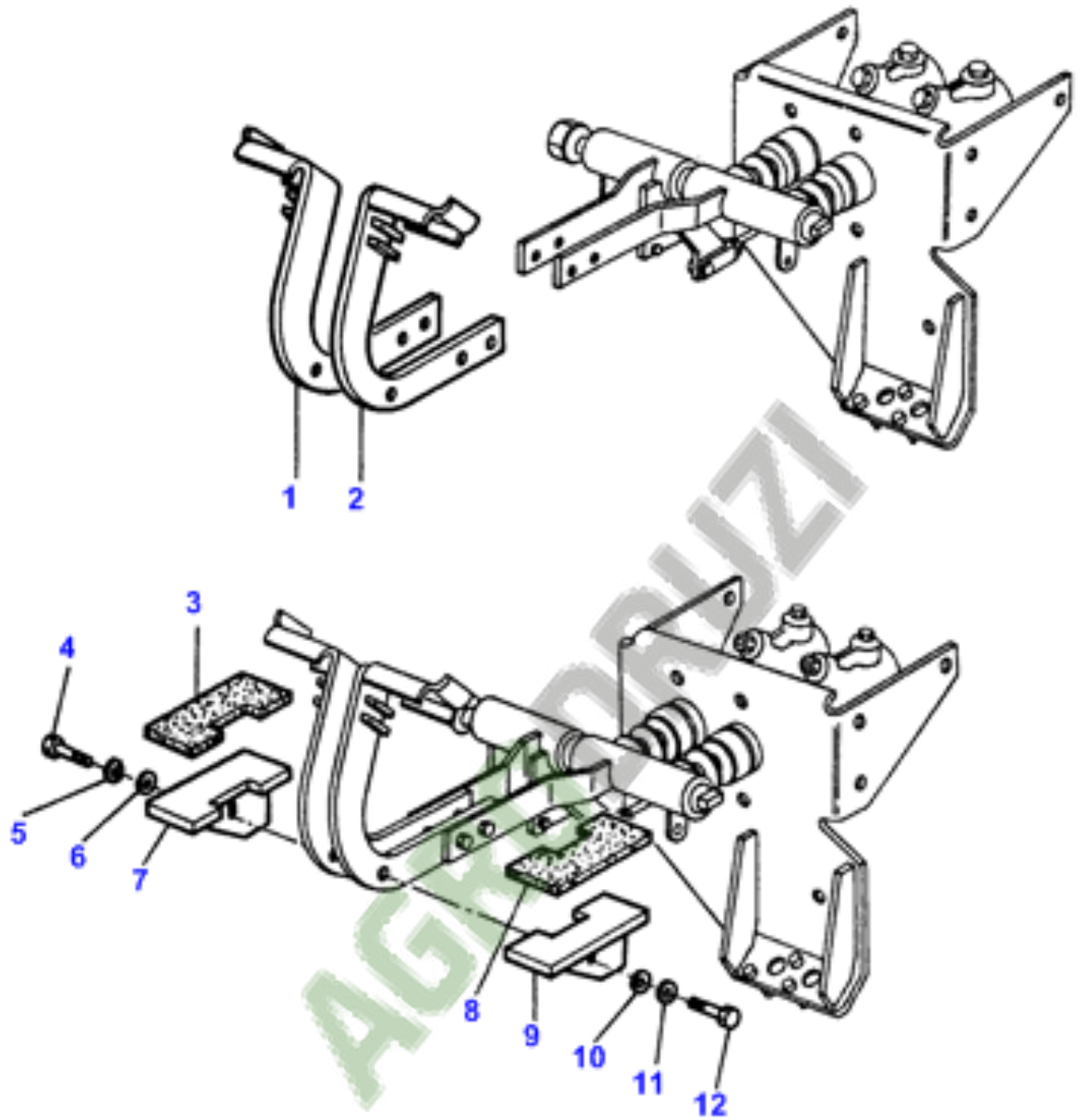
1-2840-003



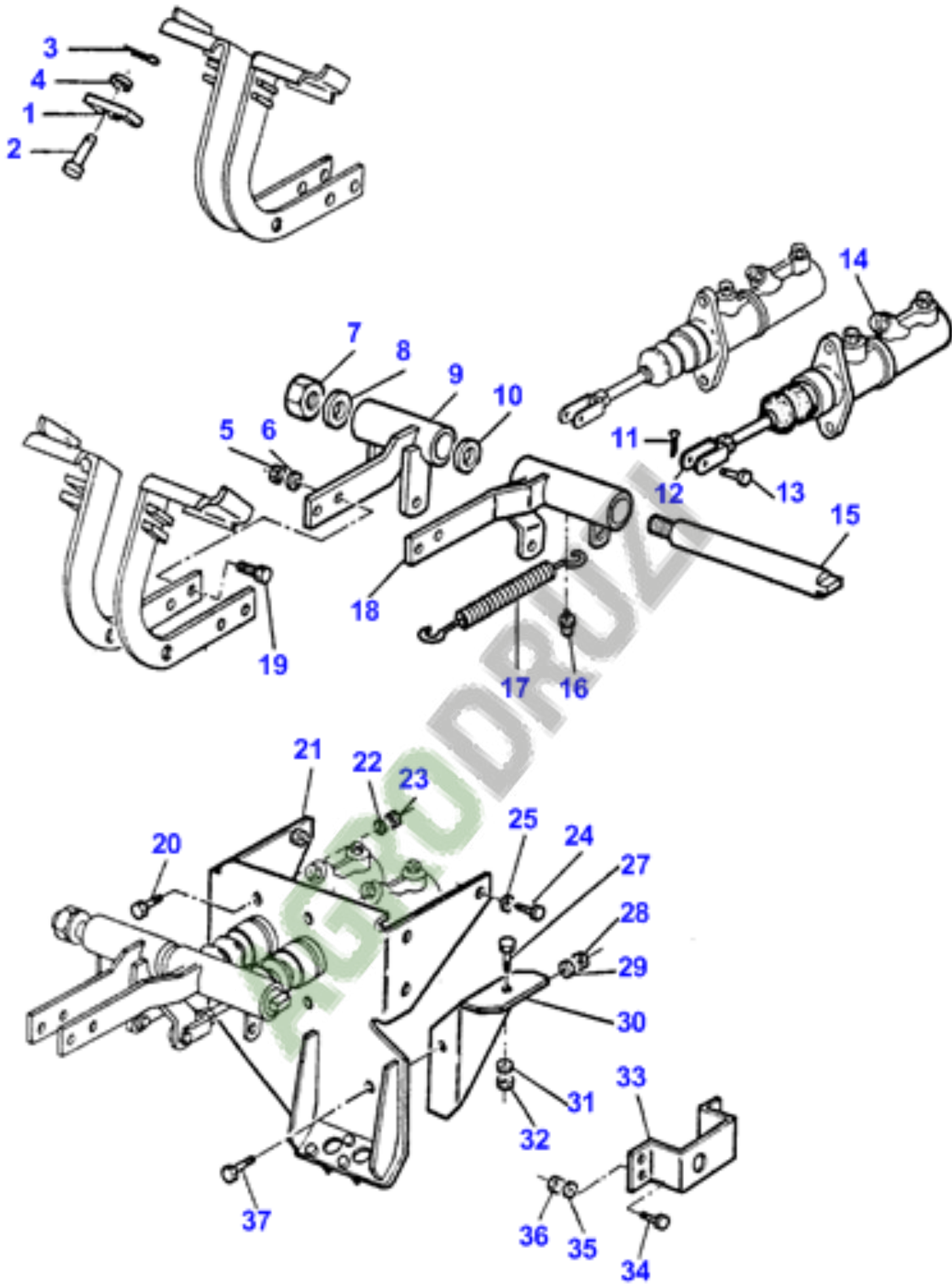
1-2840-004



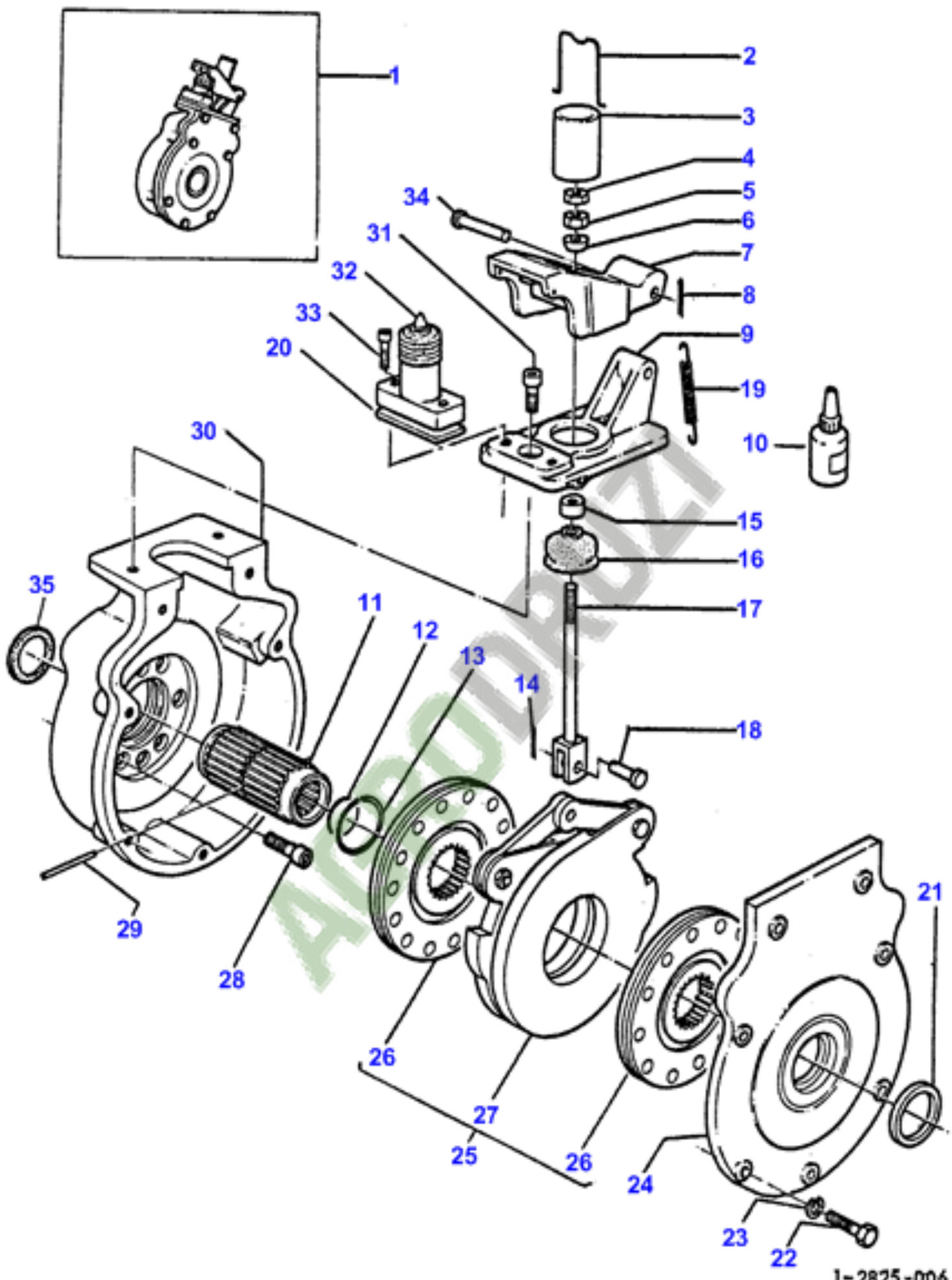
1-2820-024



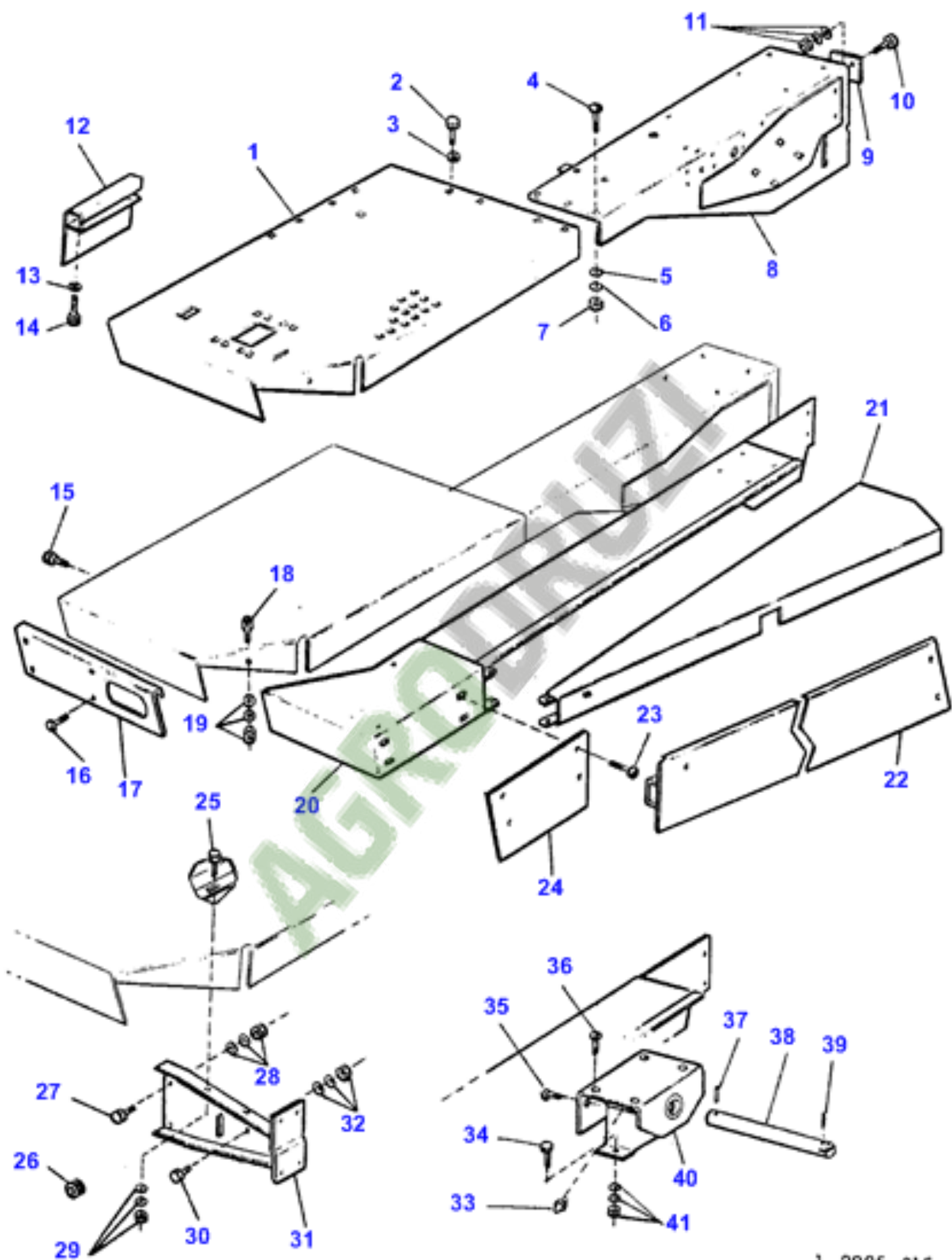
1-2820-019



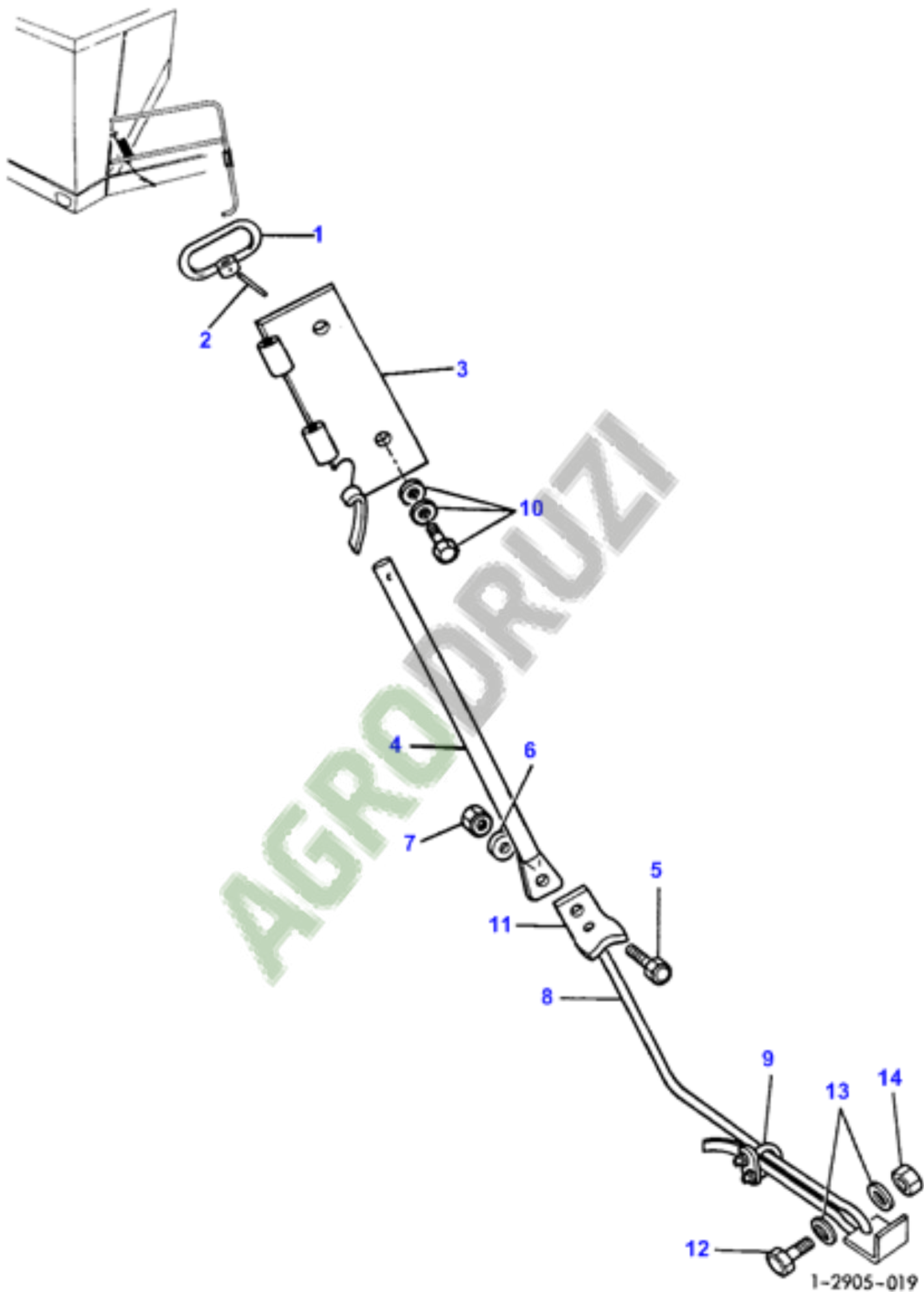
1-2820-020

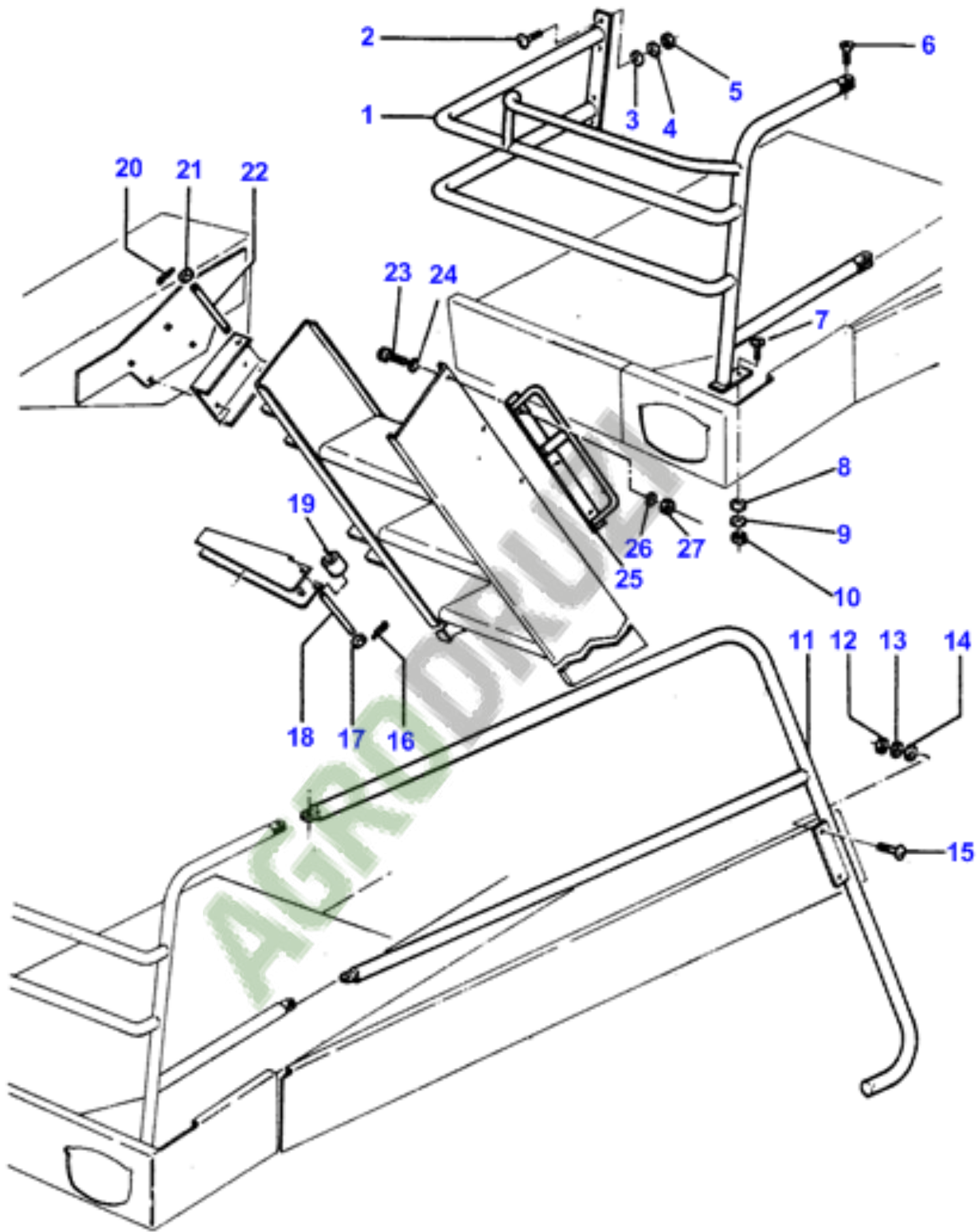


1-2825-006

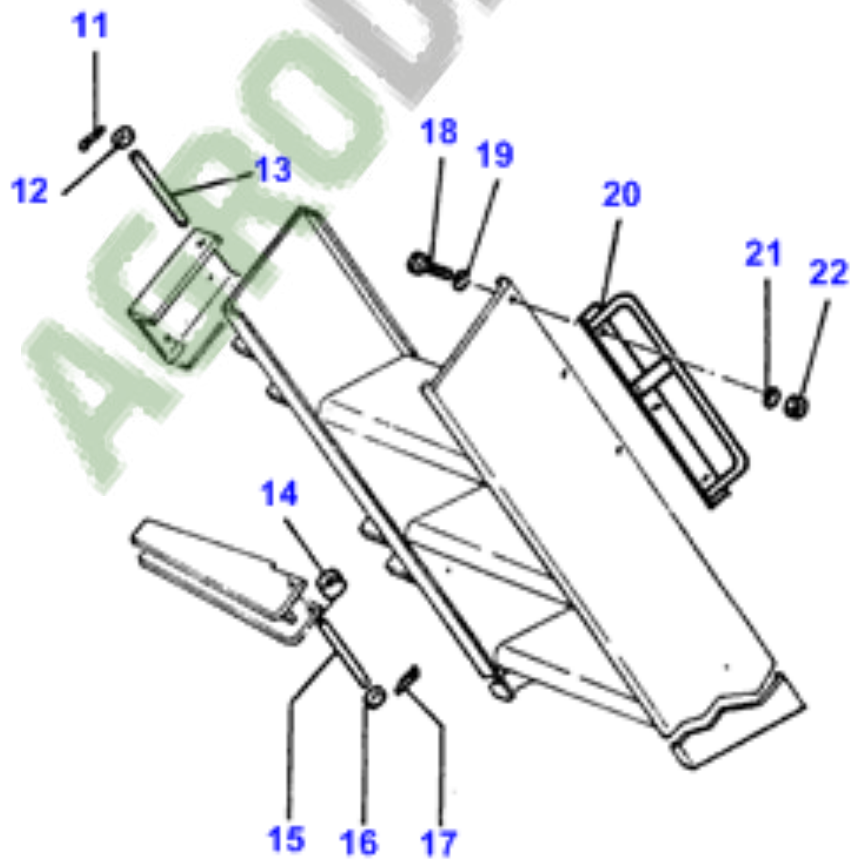
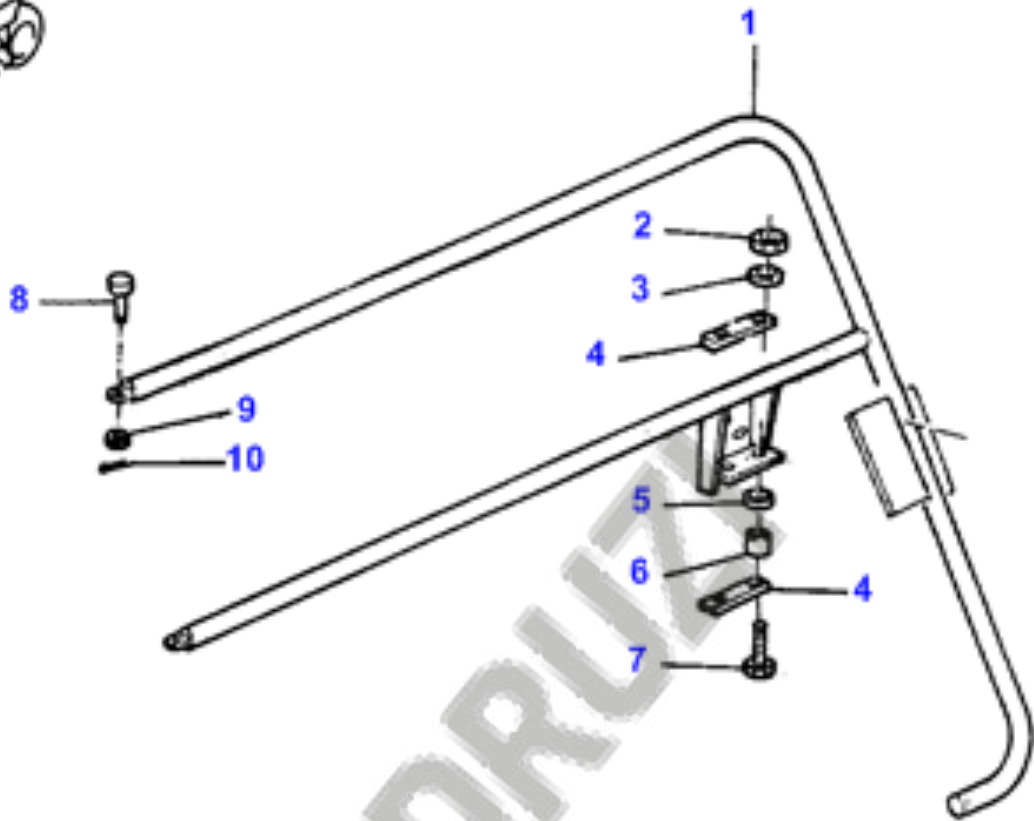
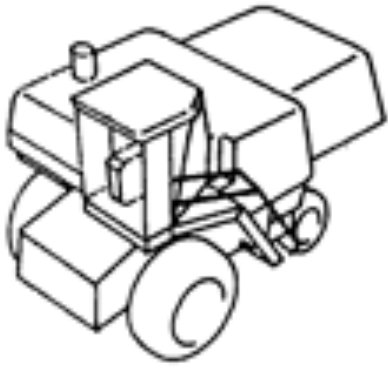


1-2905-015

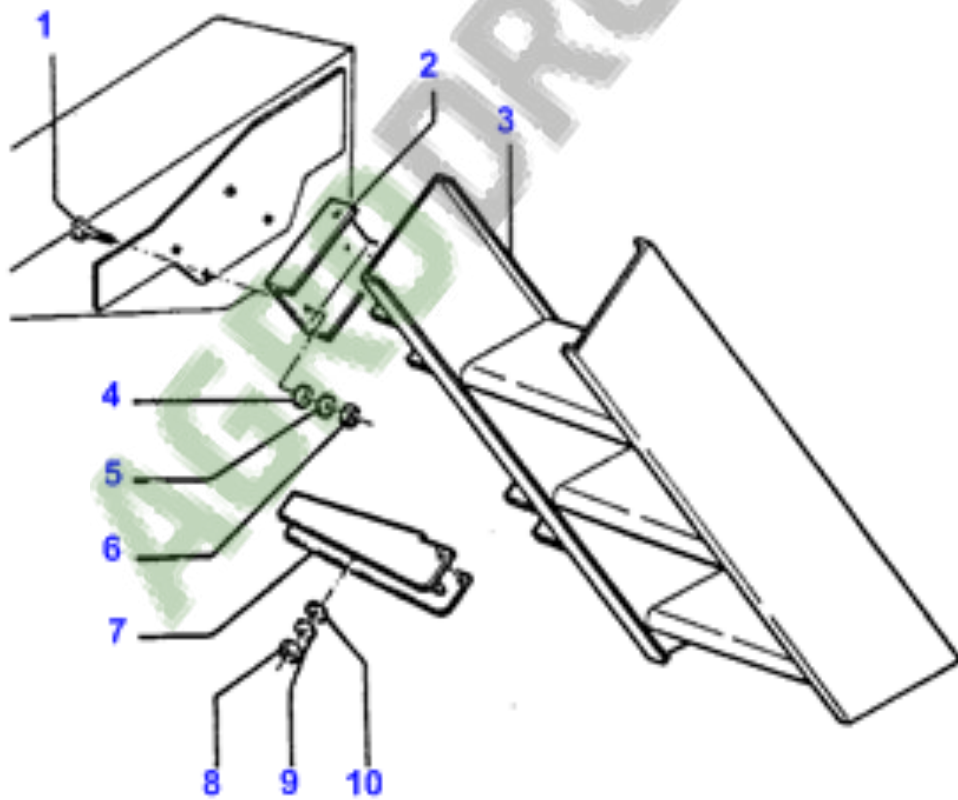
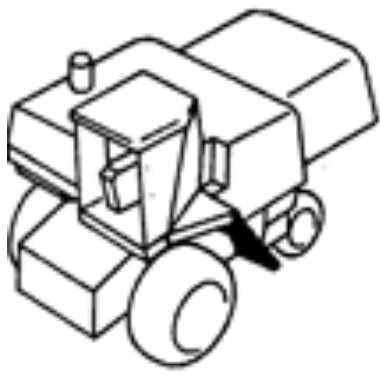




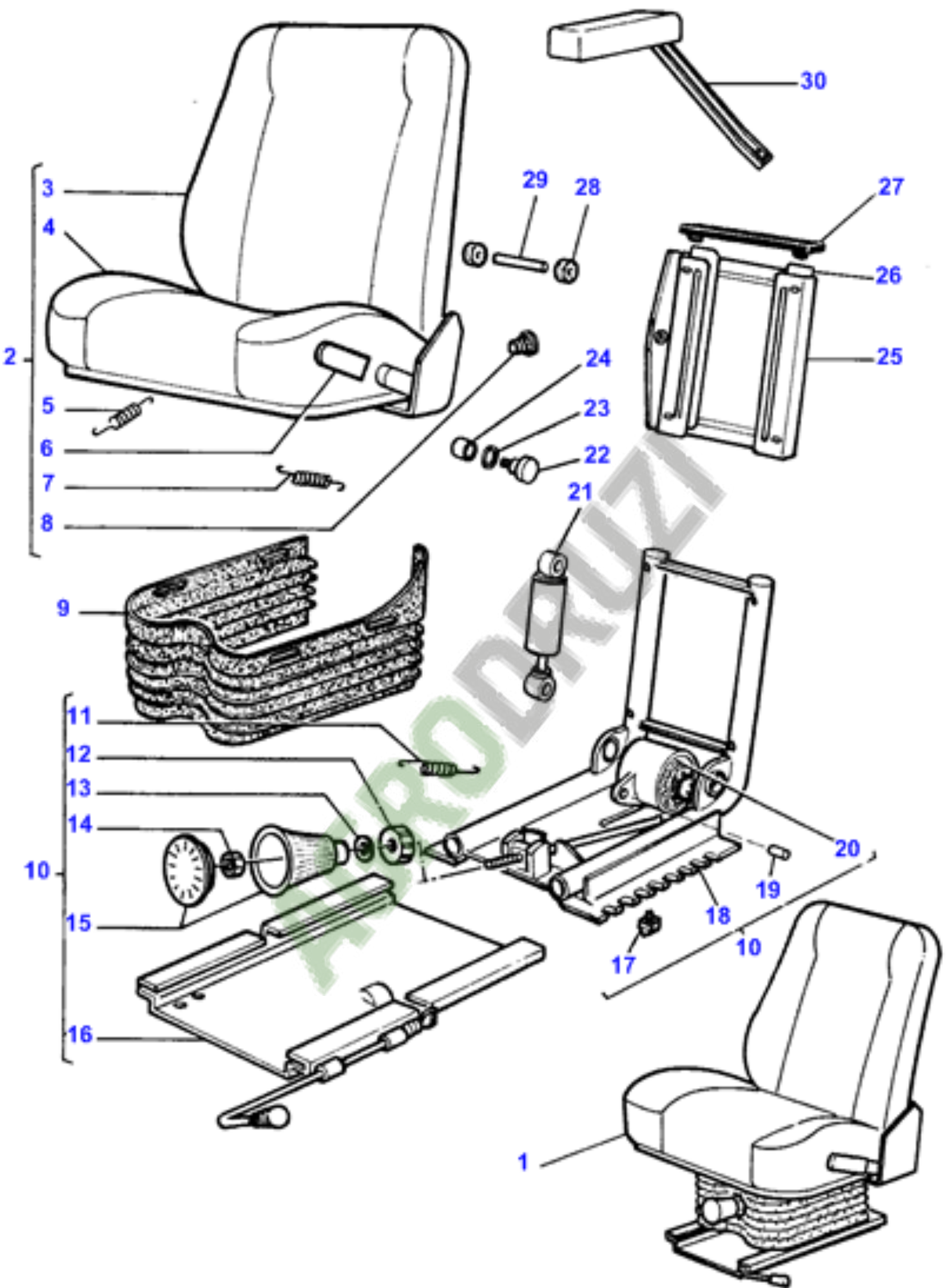
1-2905-018



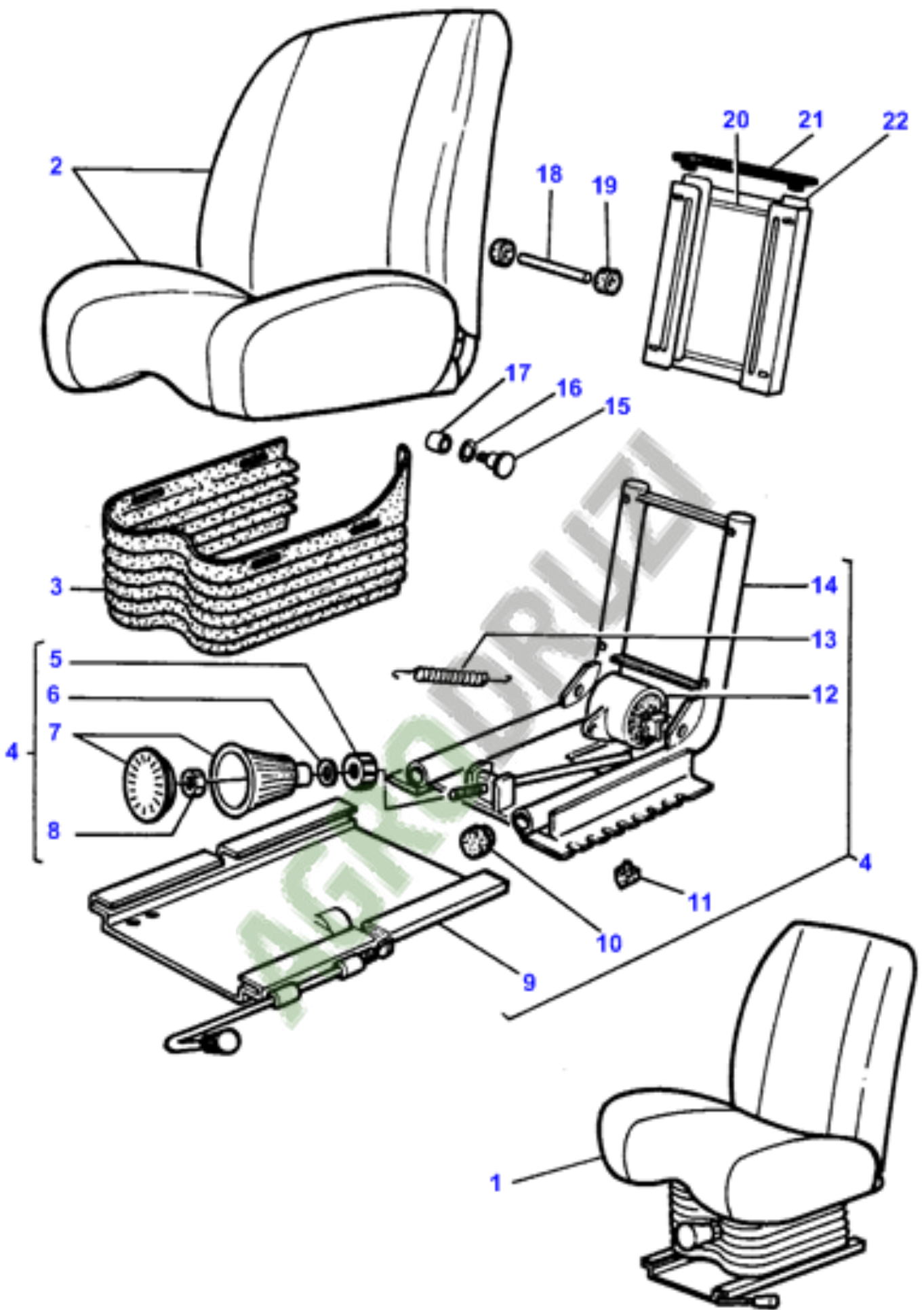
1-2905-020



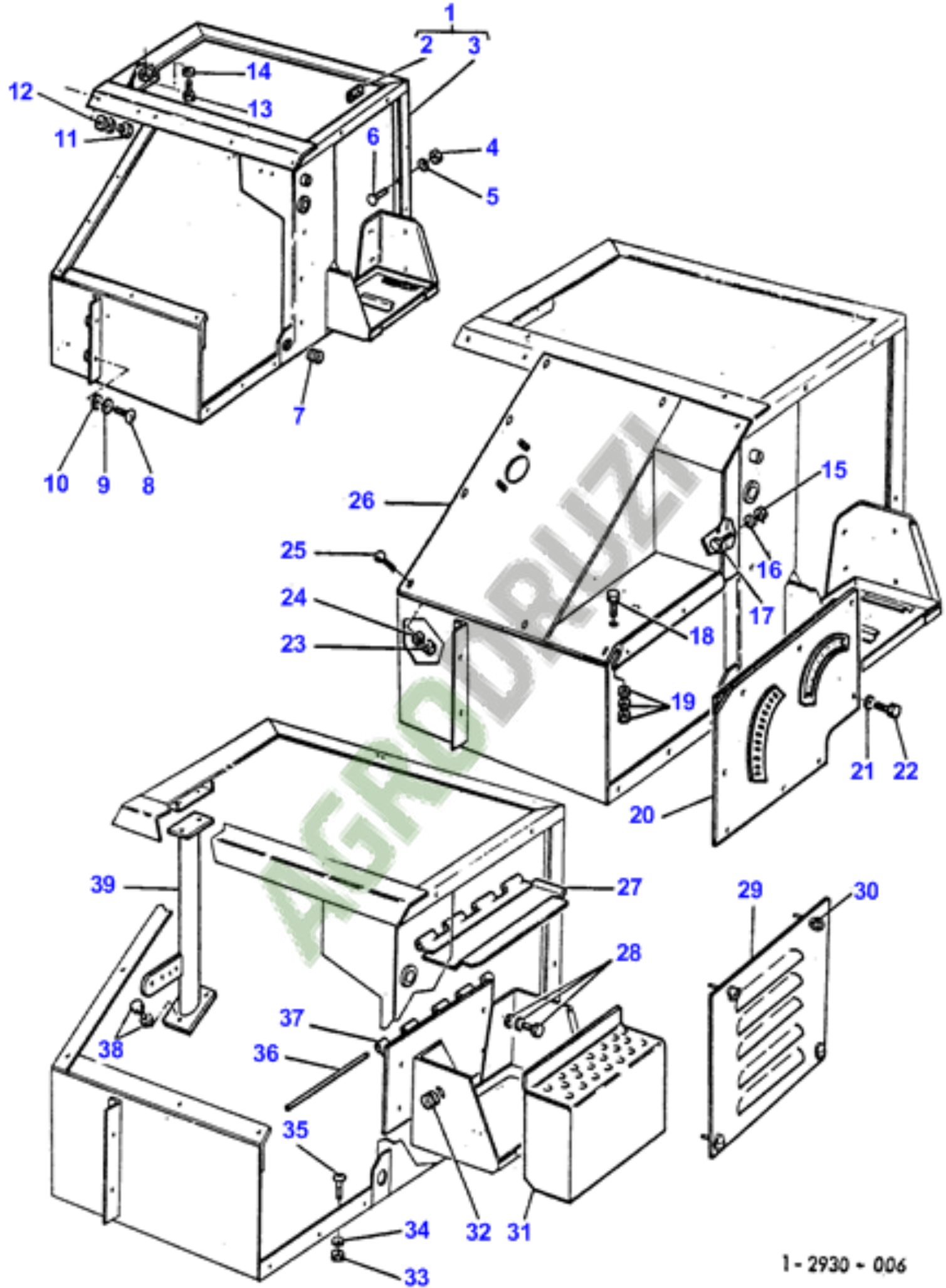
1-2905-021



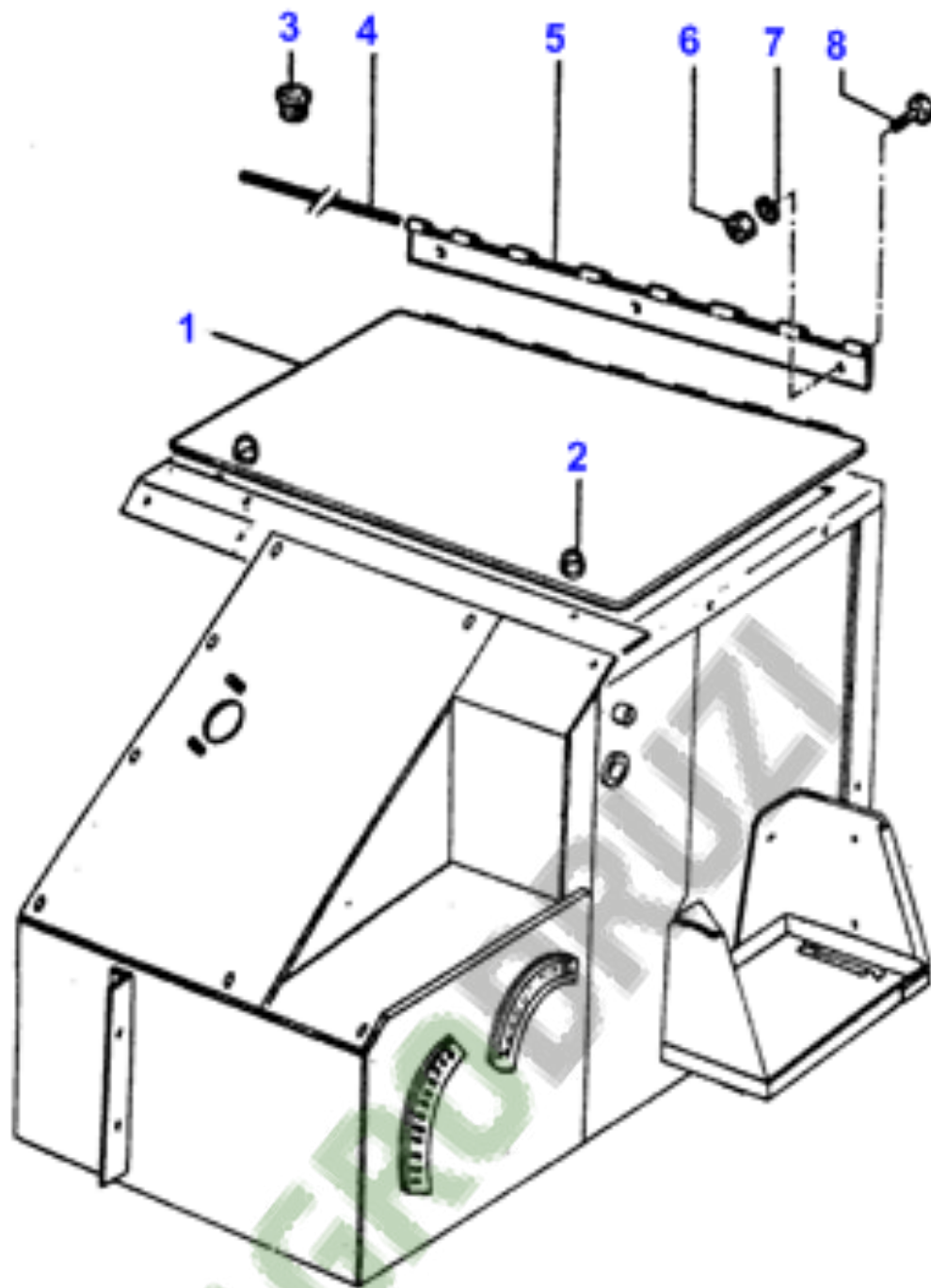
1-2910-001



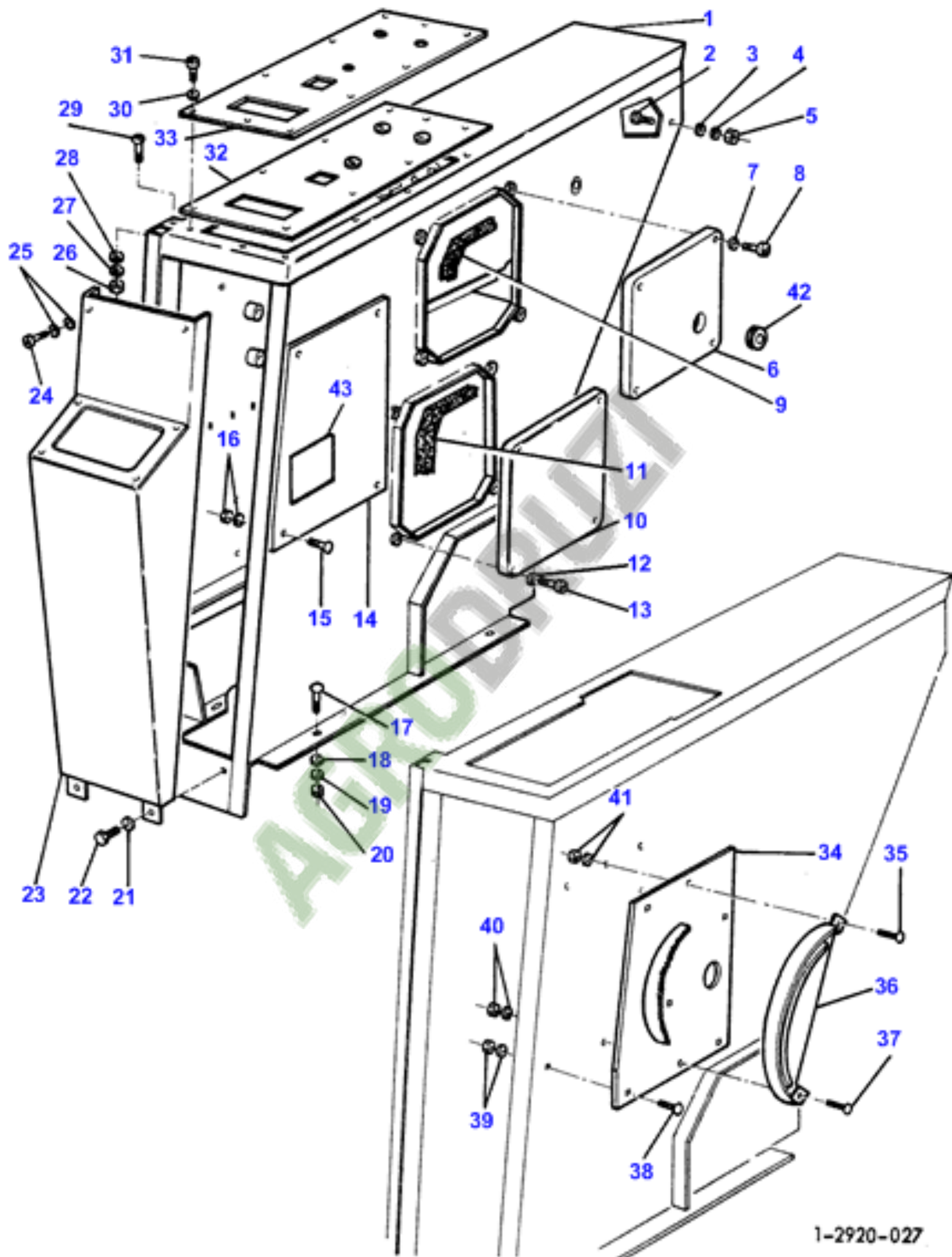
1-2910-002



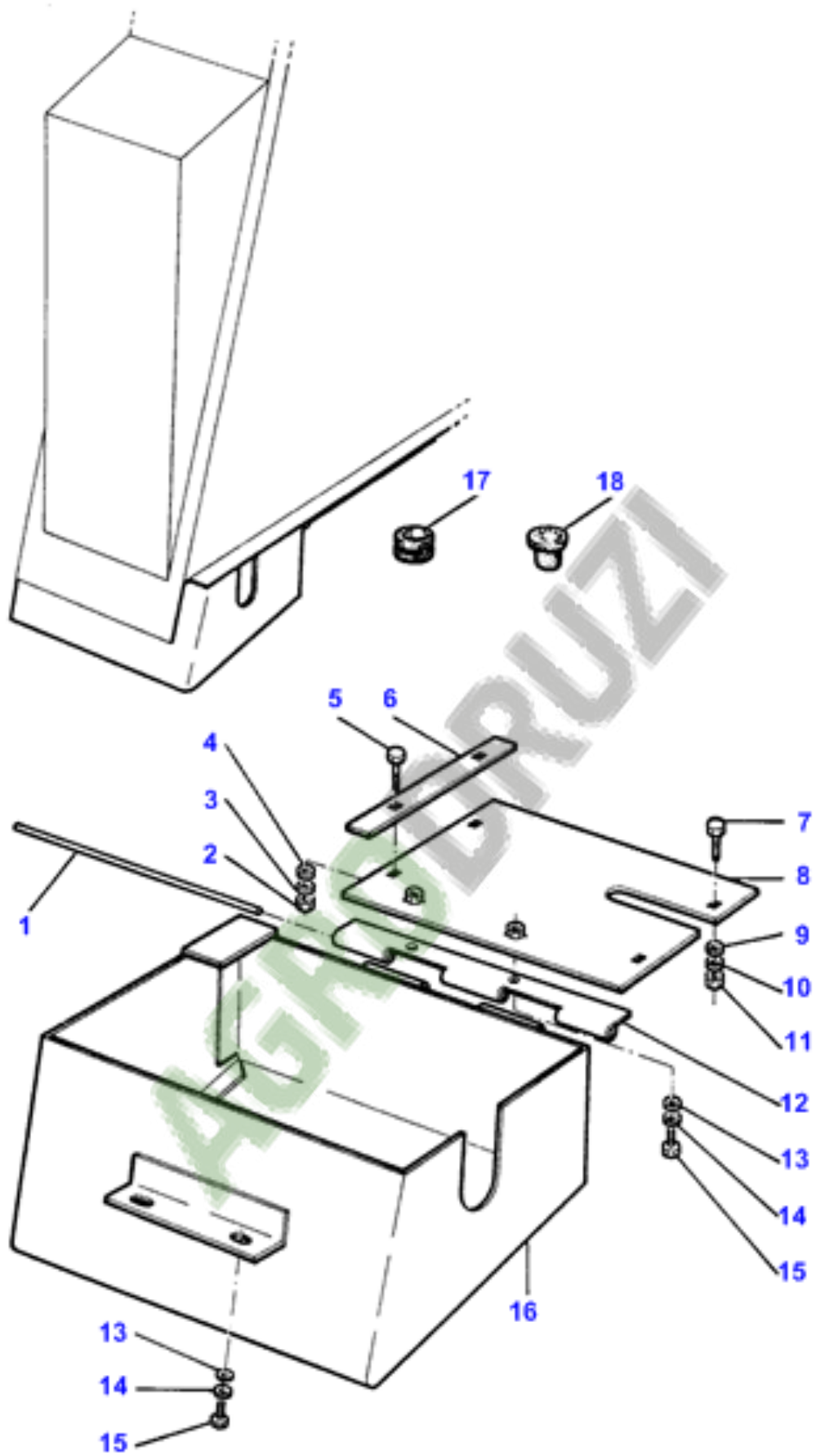
1-2930-006



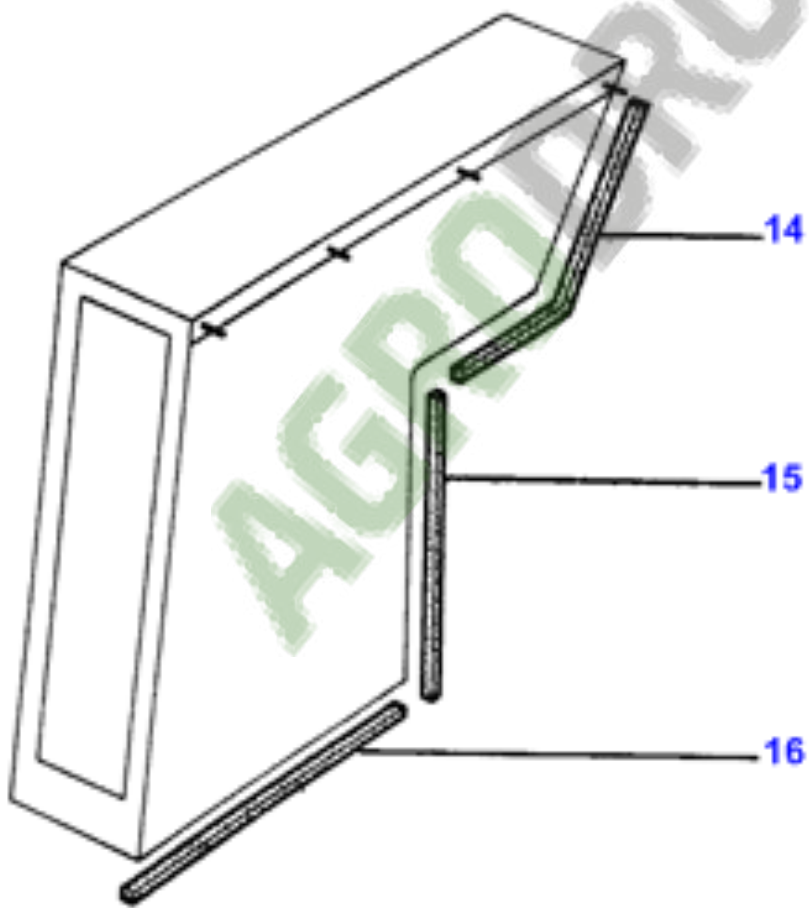
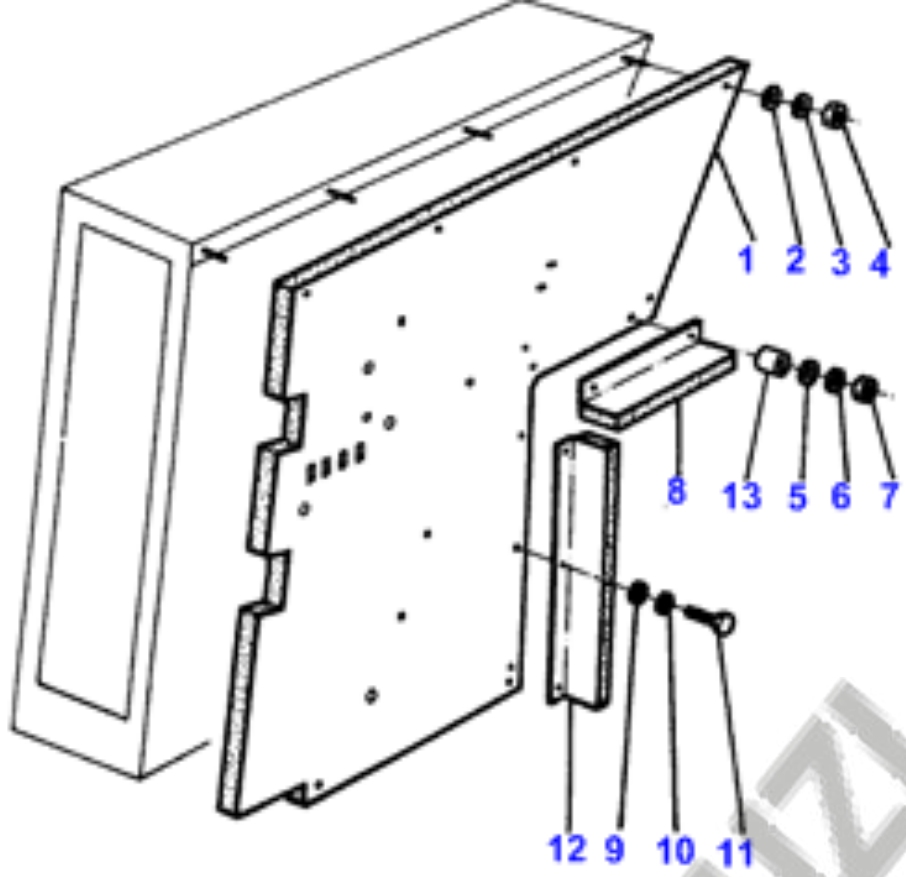
1 - 2930 - 007



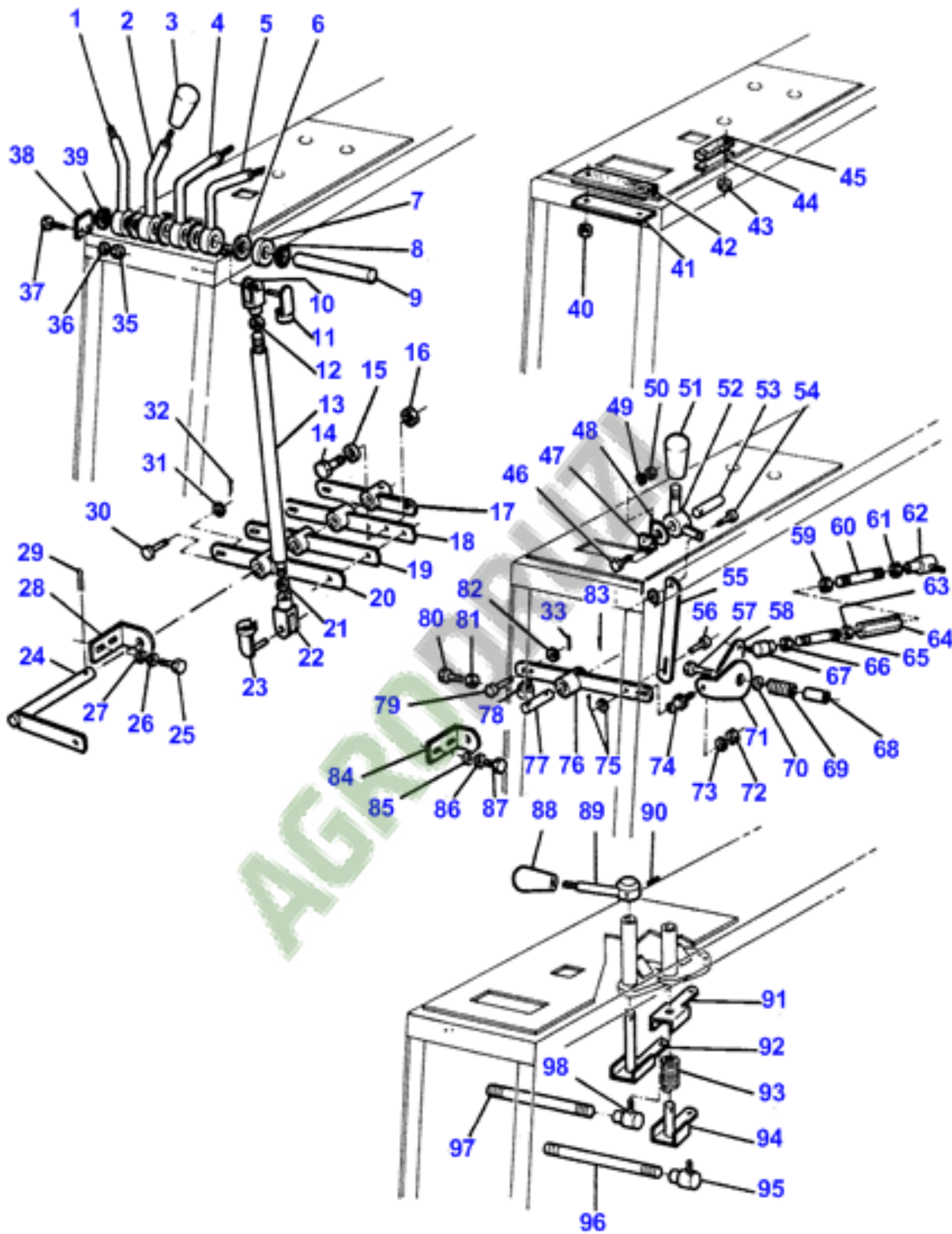
1-2920-027



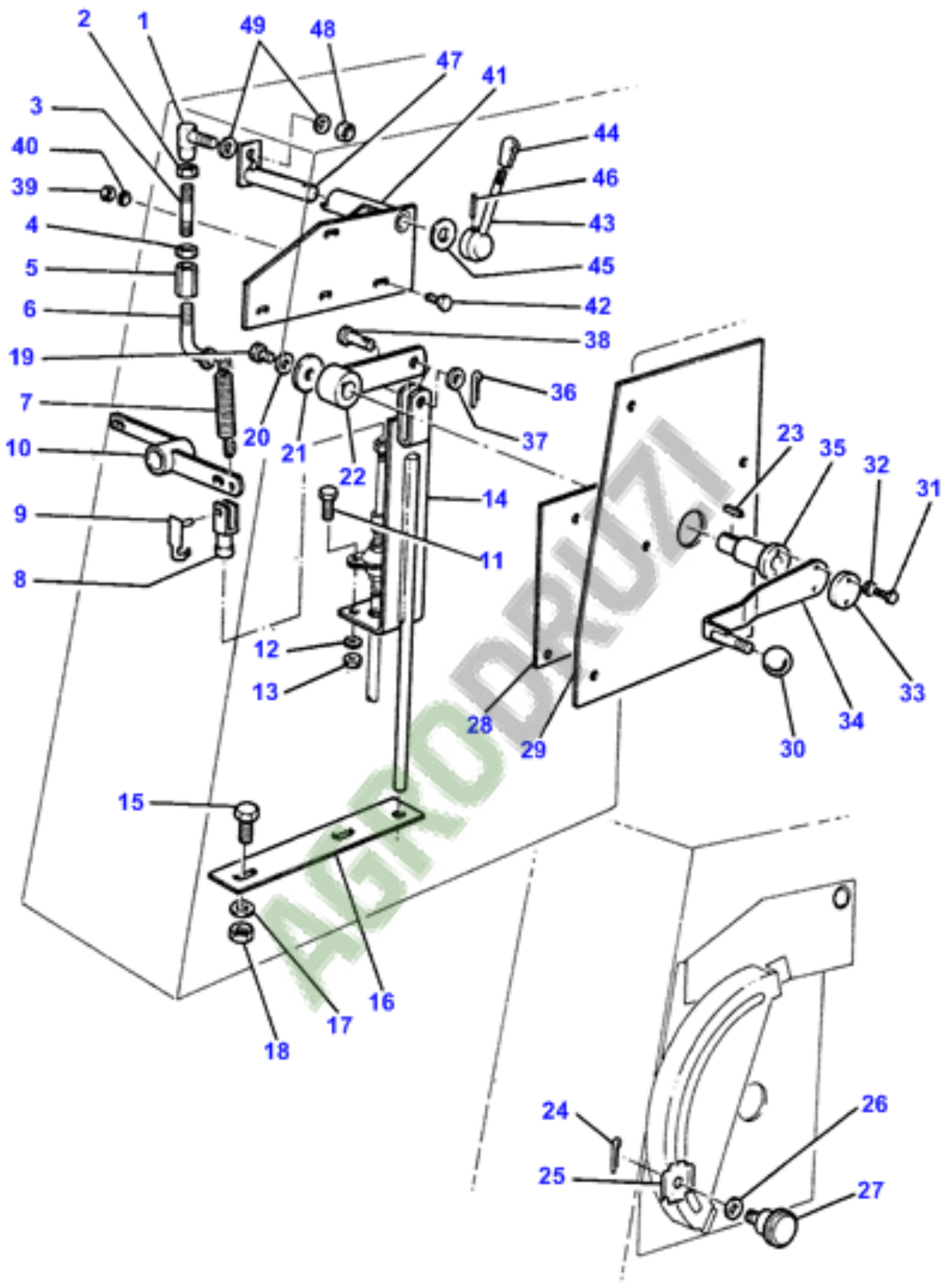
1-2920-028



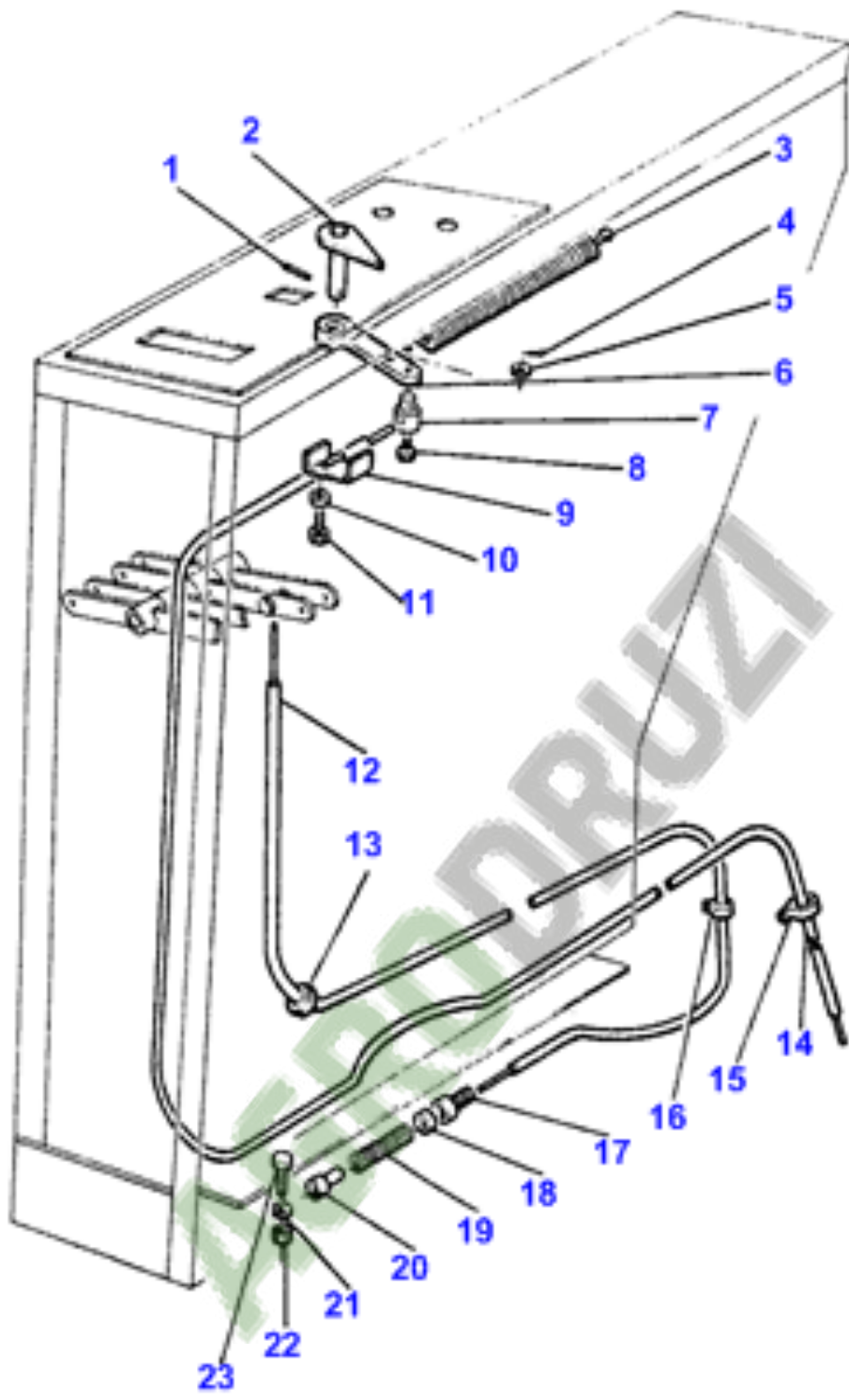
1-2920 -029



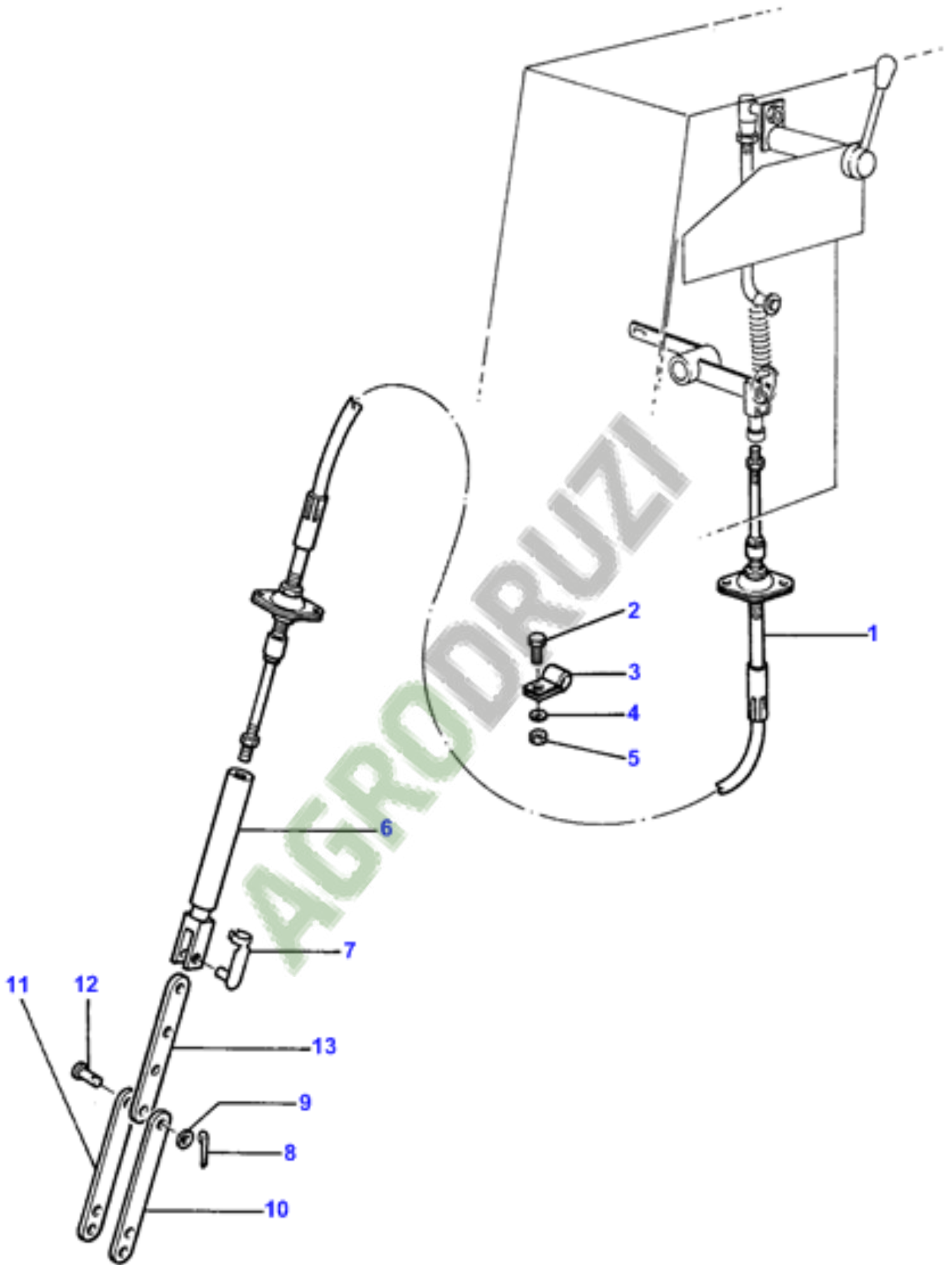
1 - 2920 - 030



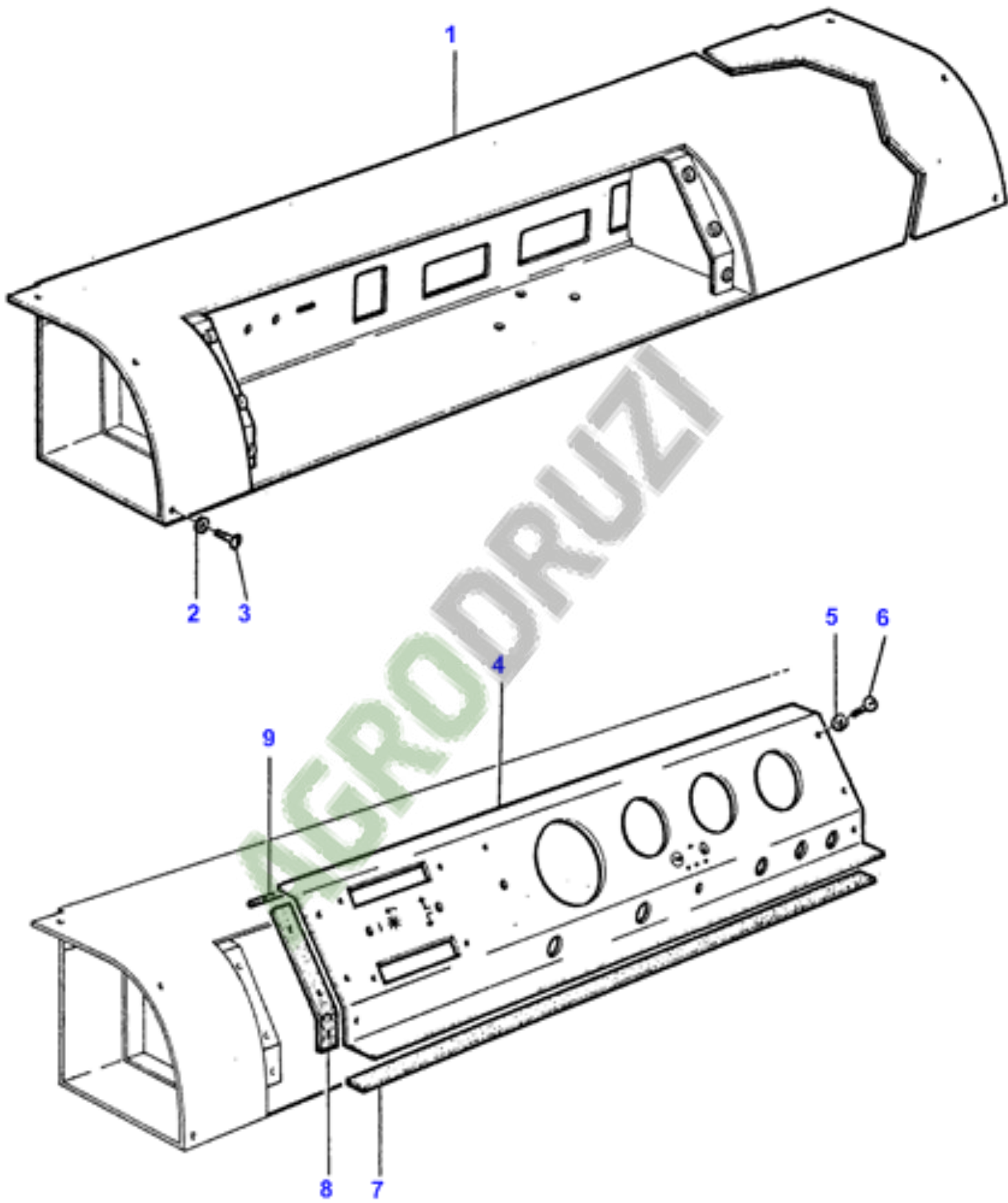
1-2920-023



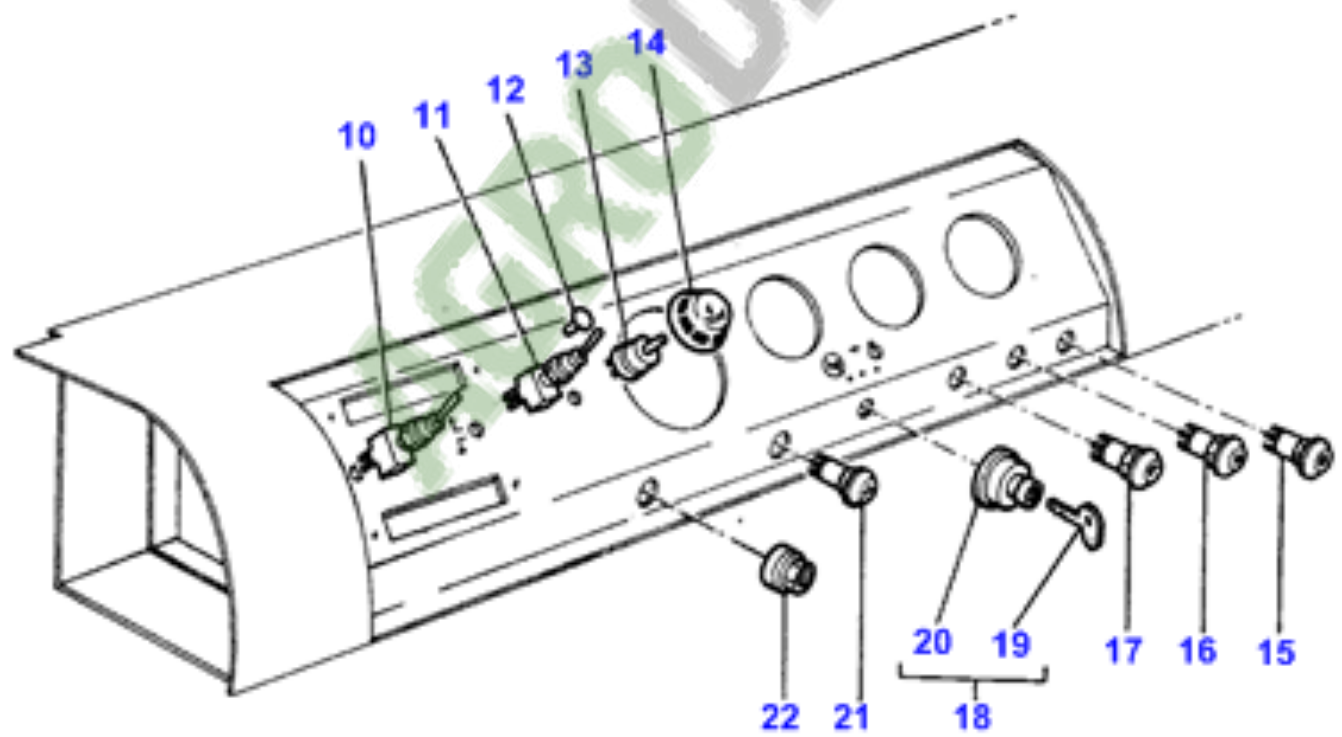
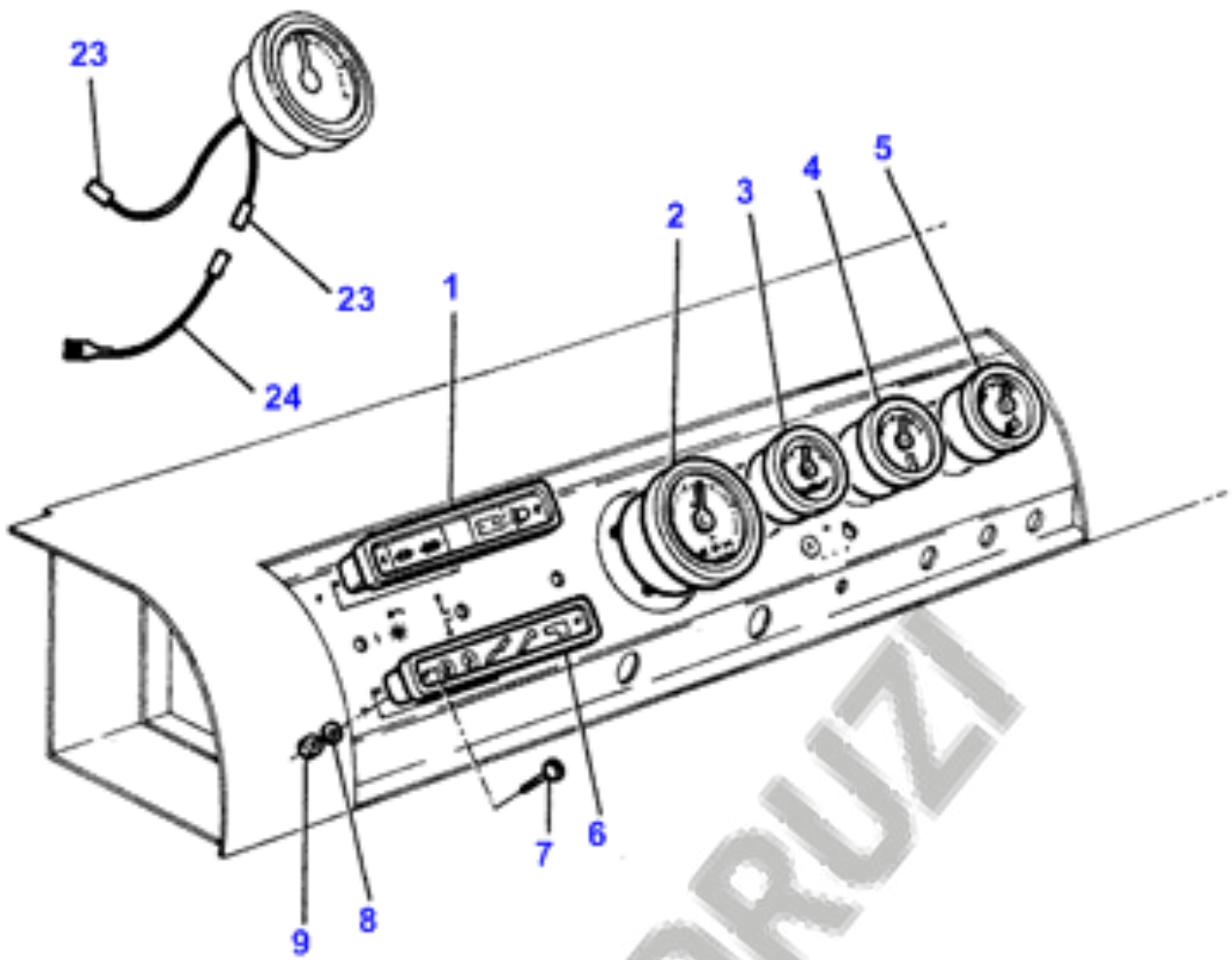
1-2920-022



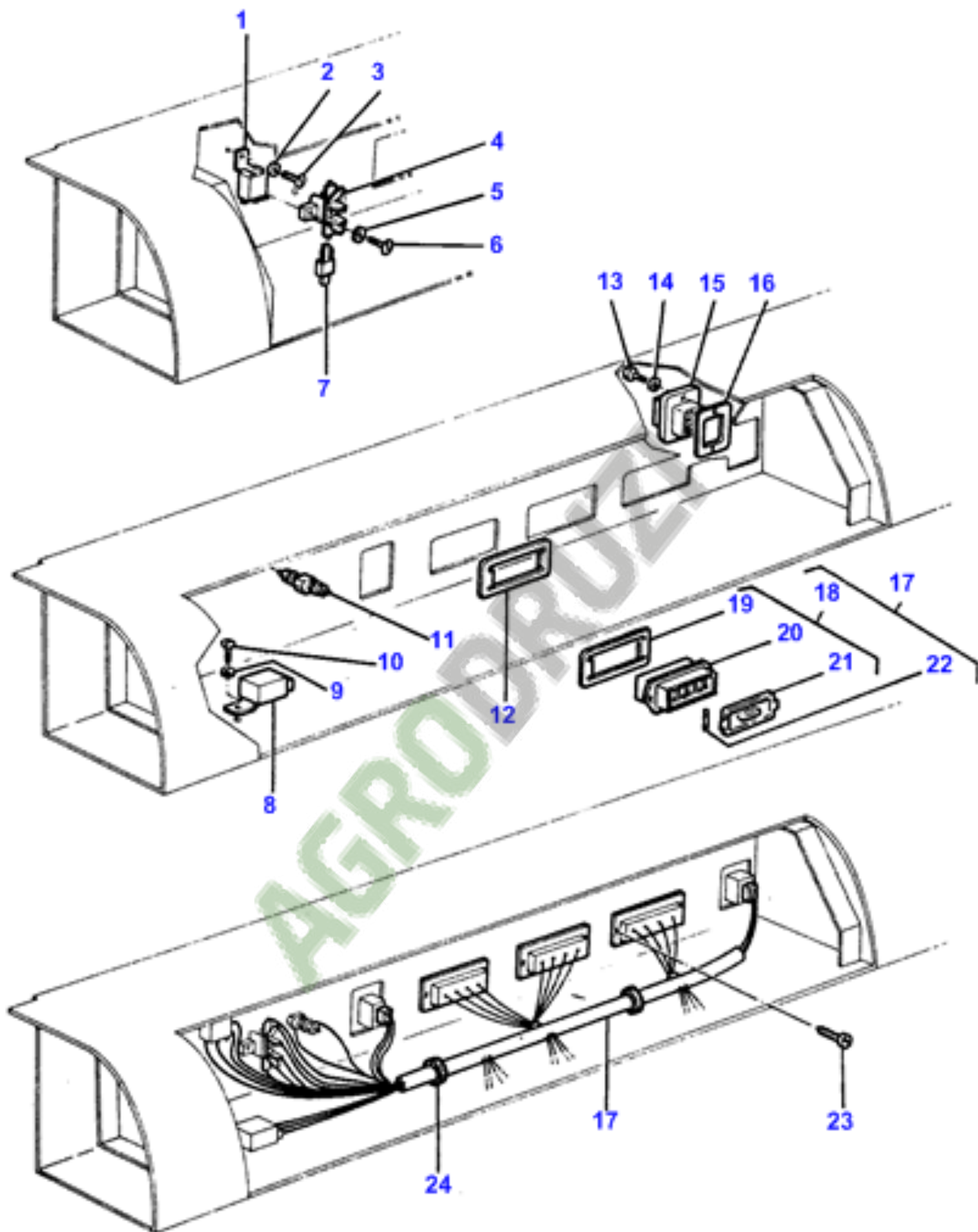
1-2920-020



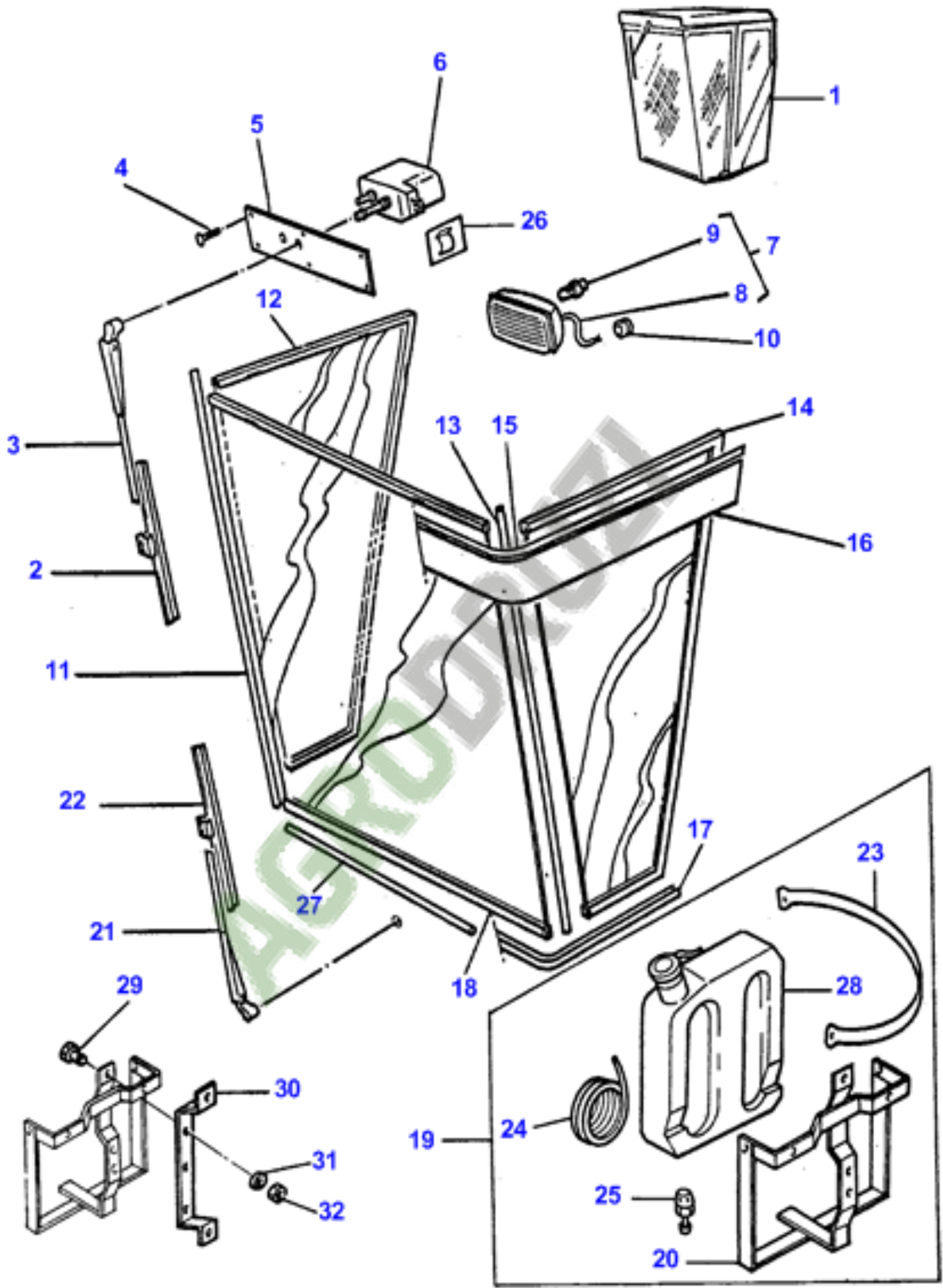
1-2935-001



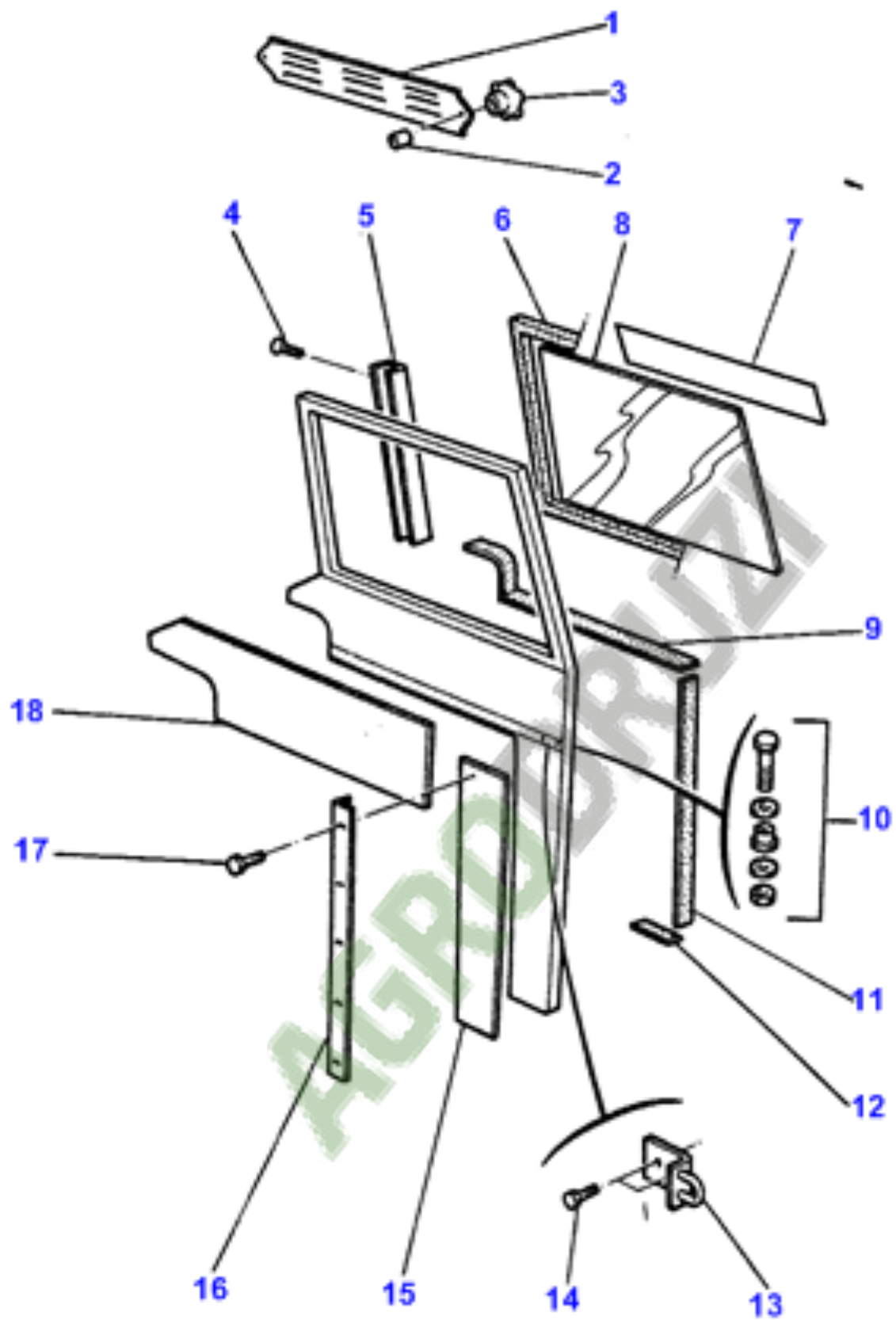
1-2935-010



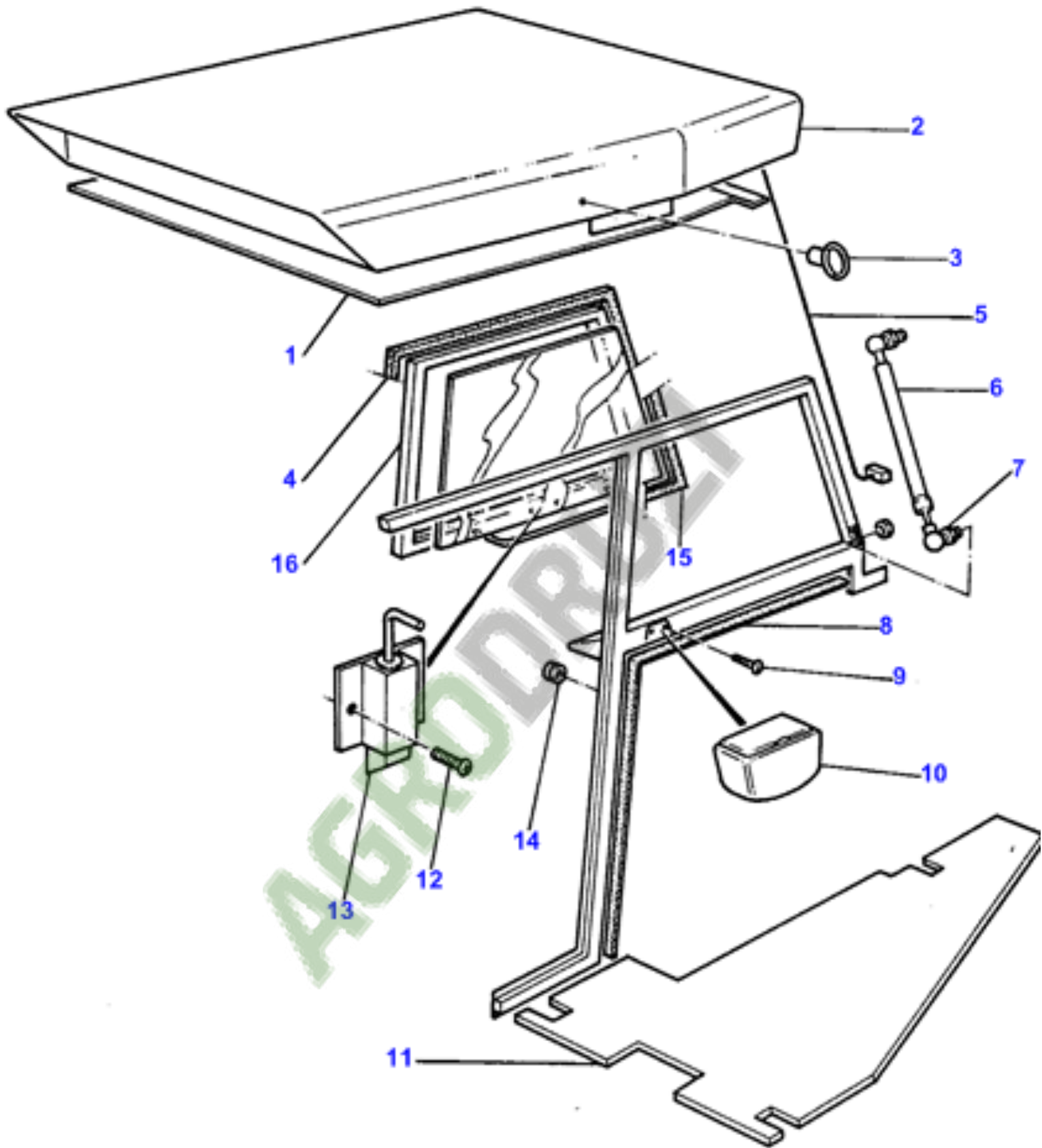
1- 2935 - 007



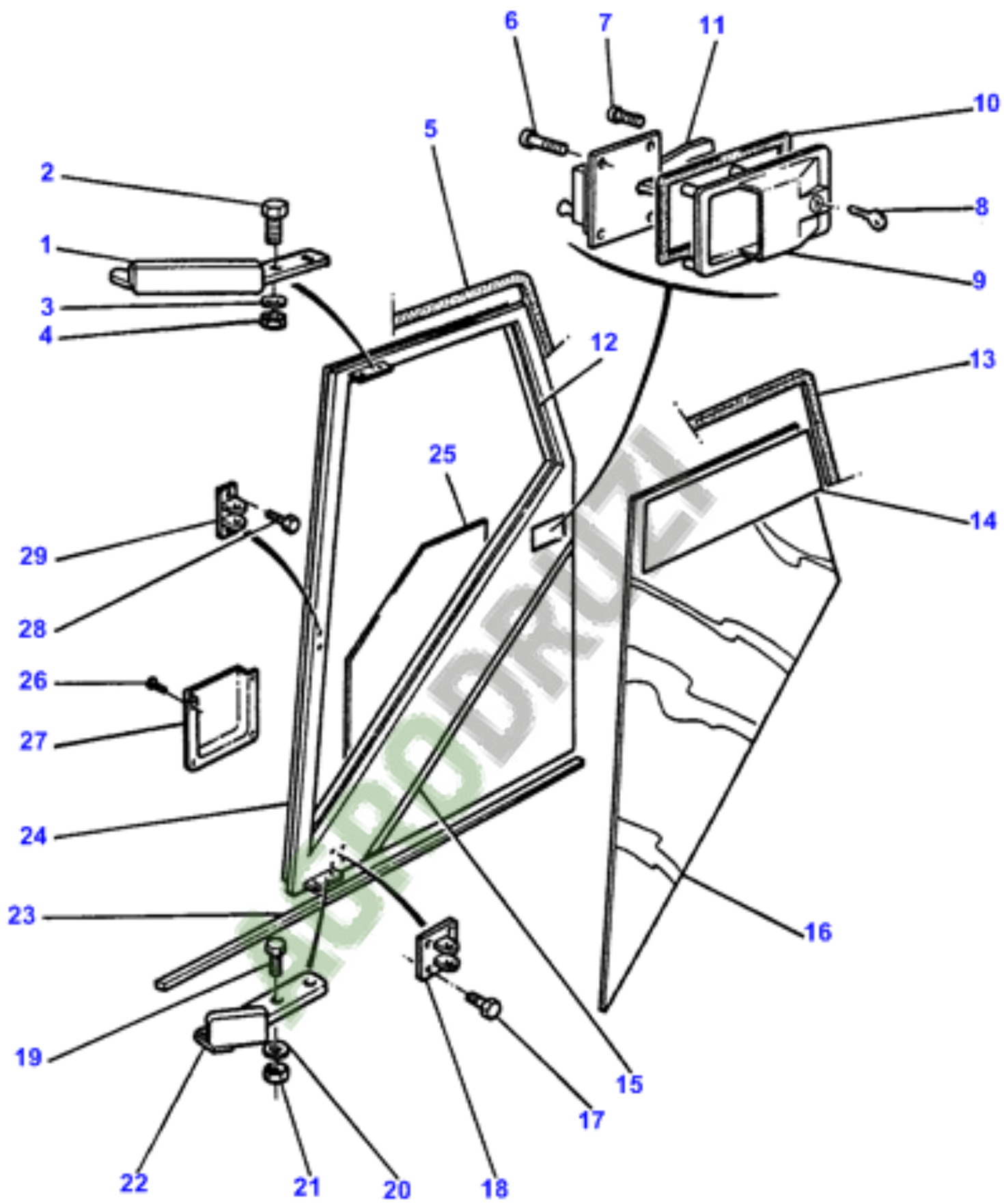
1 - 2960 - 030



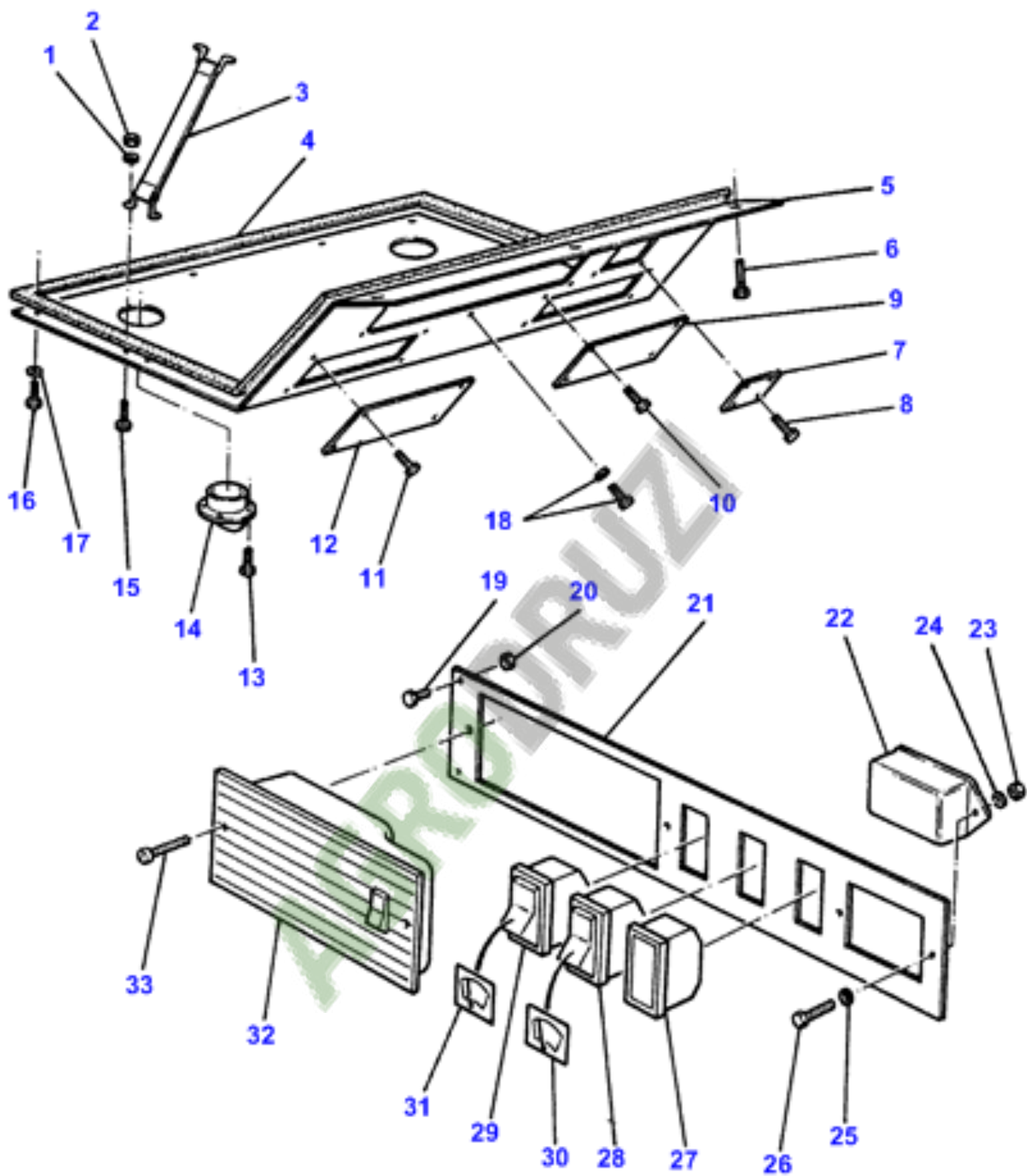
1-2960-023



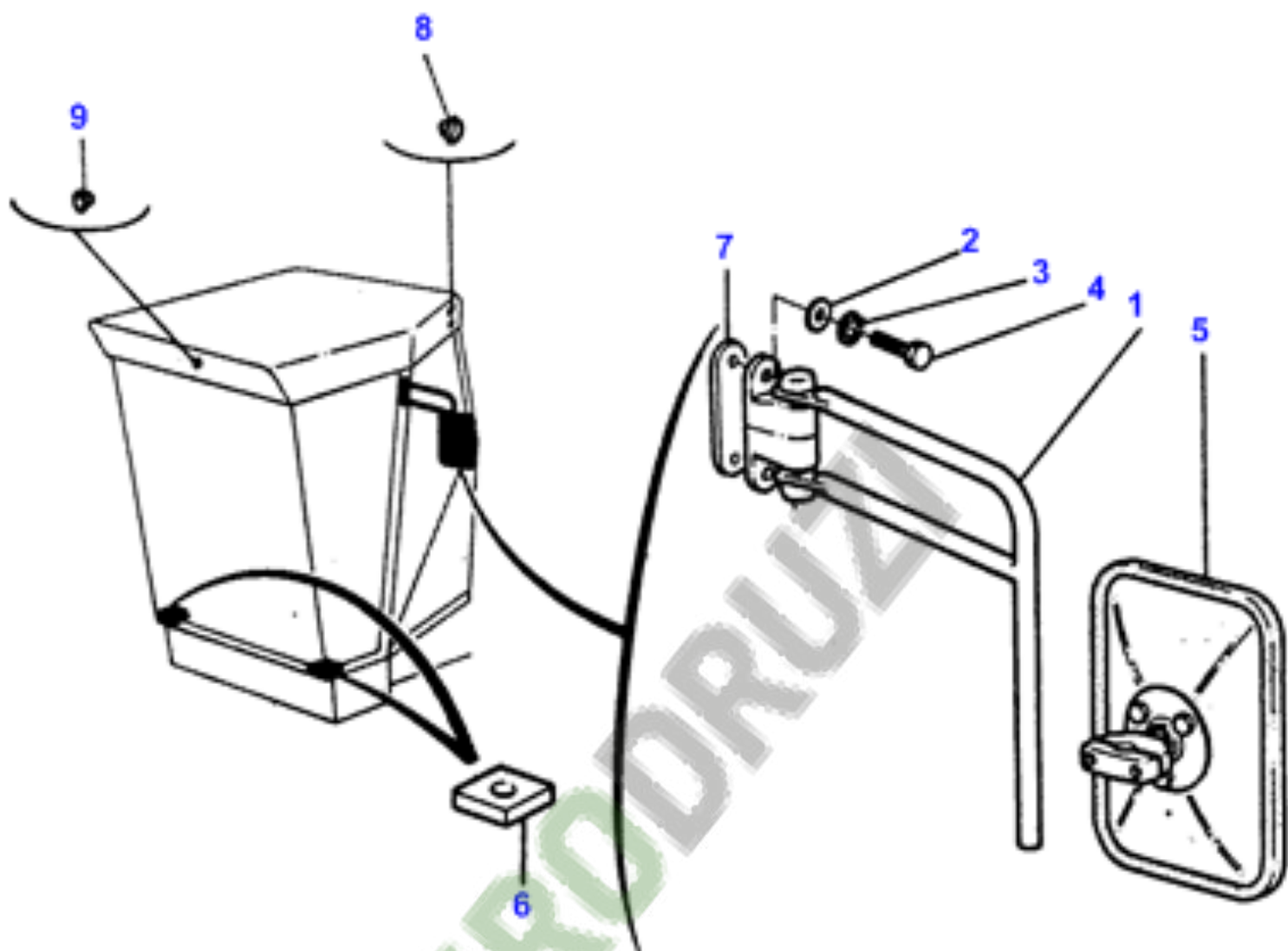
1-2960-024



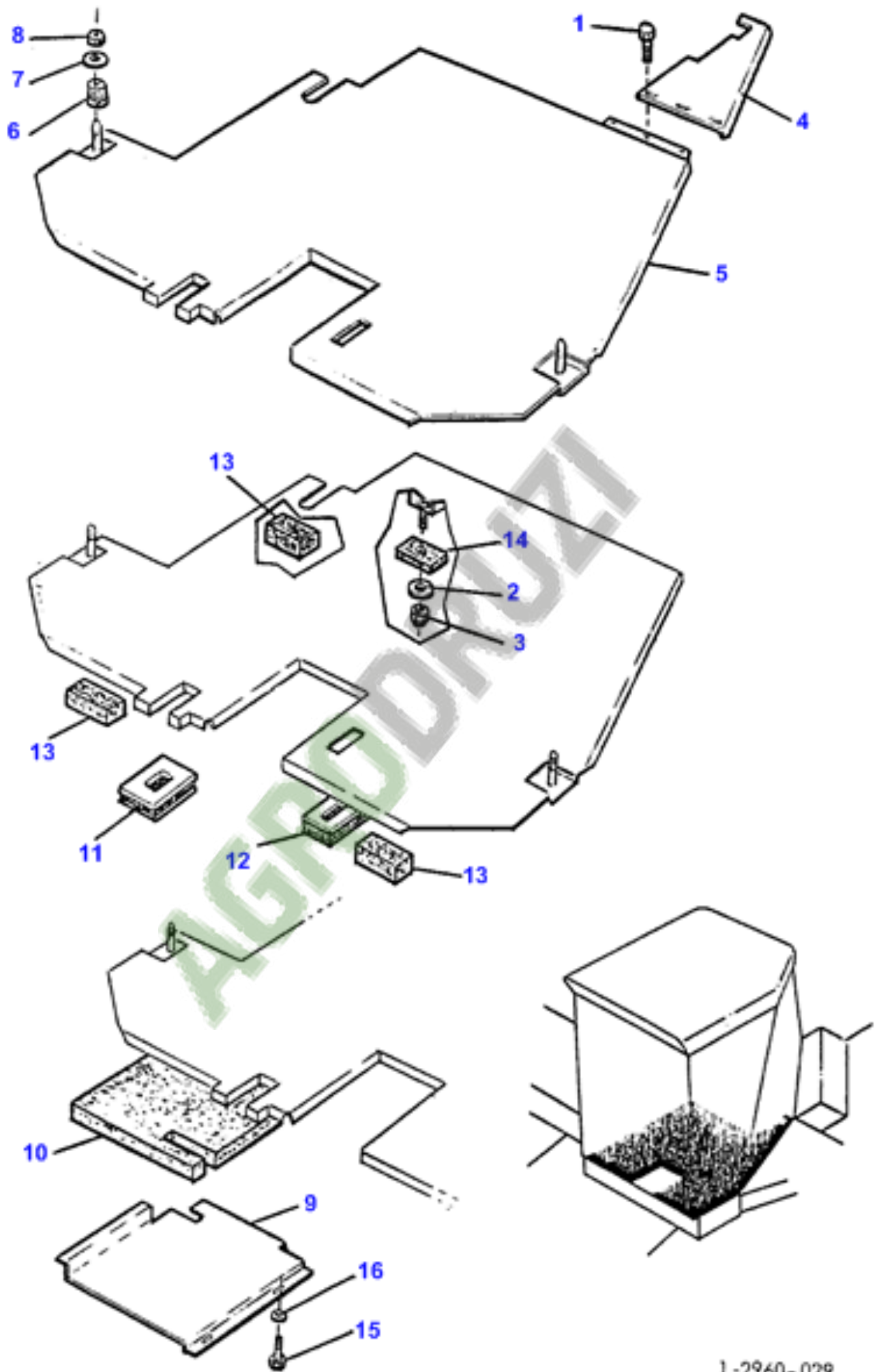
1-2040-091



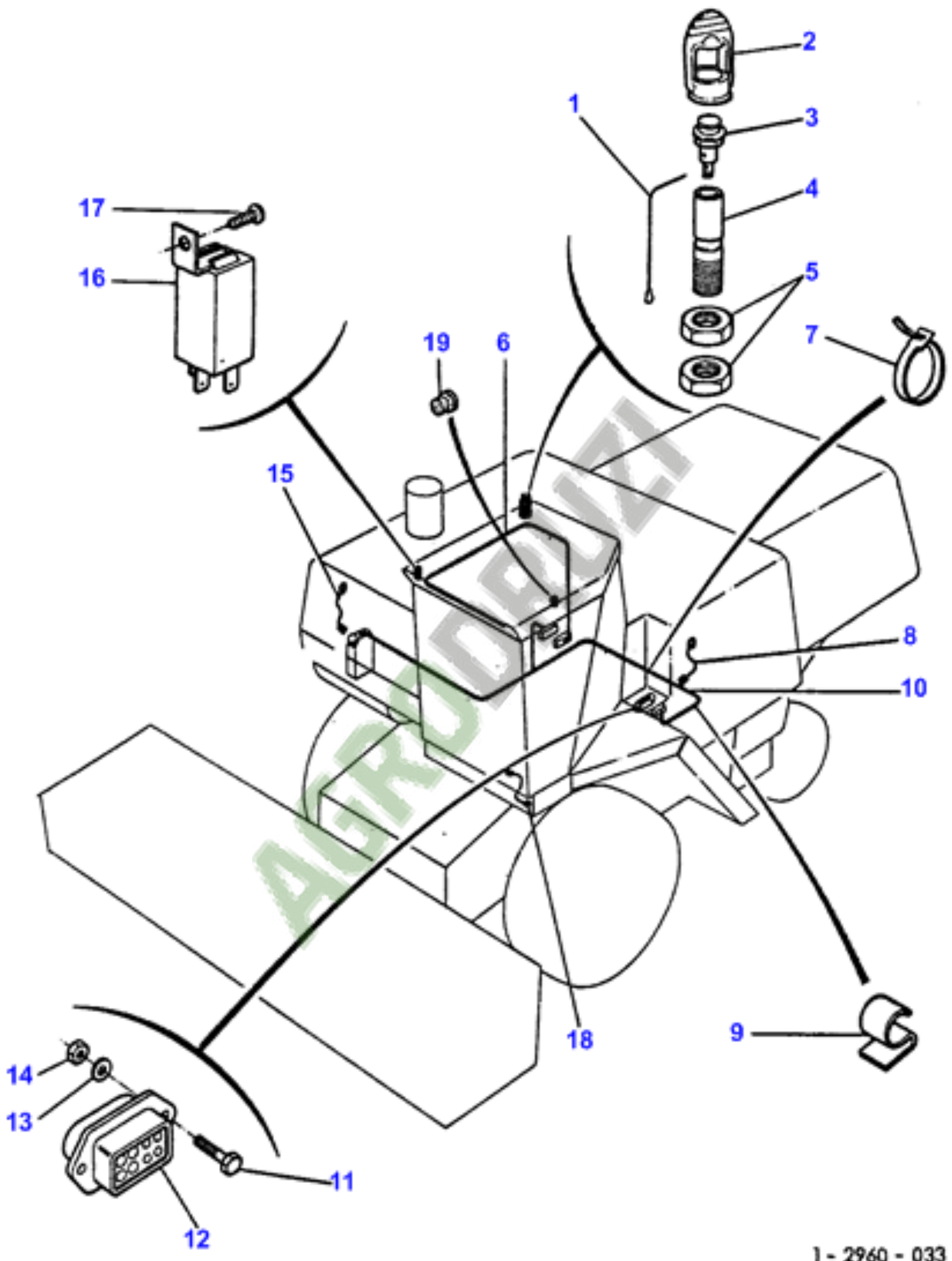
1-2960-026



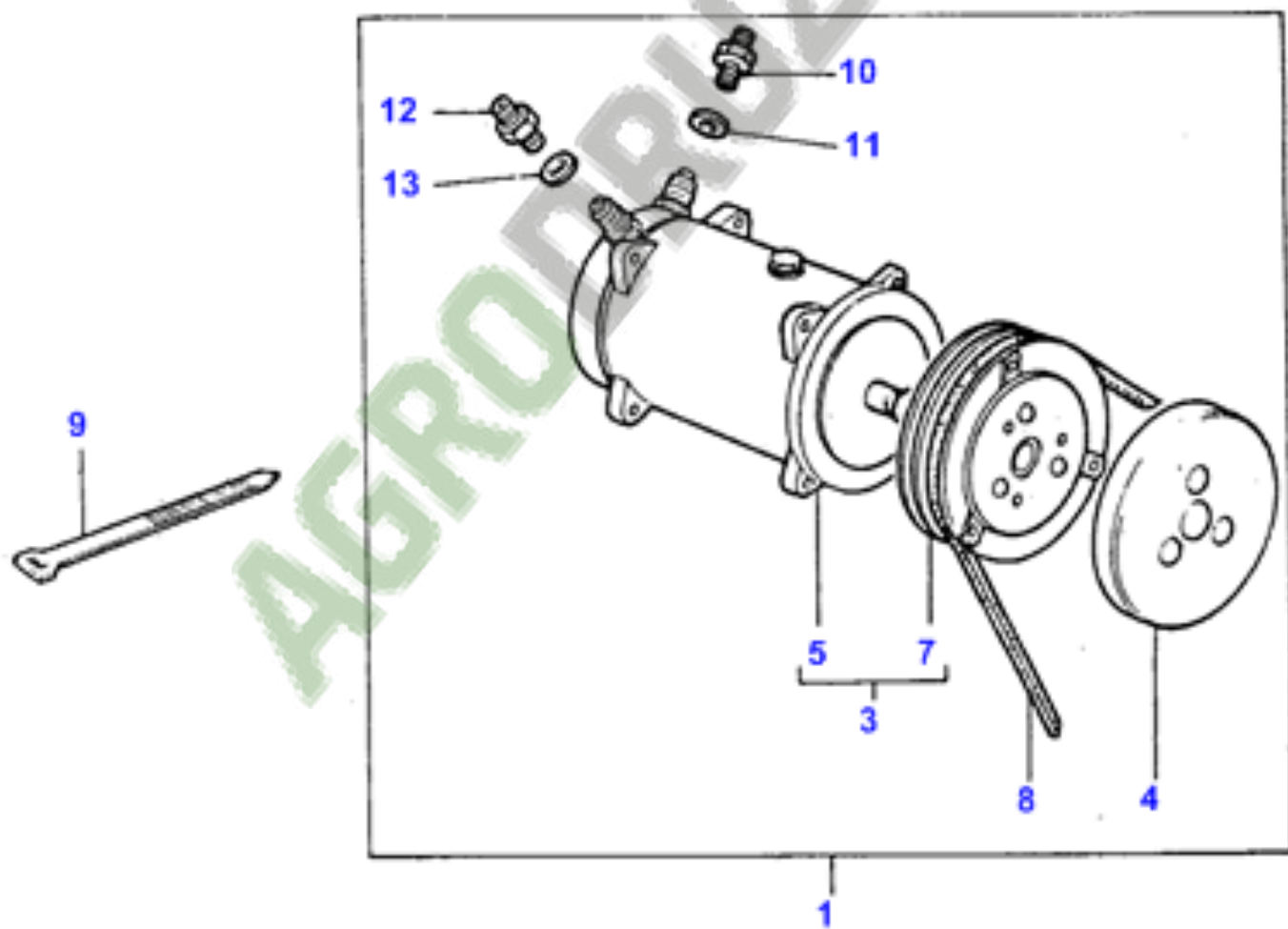
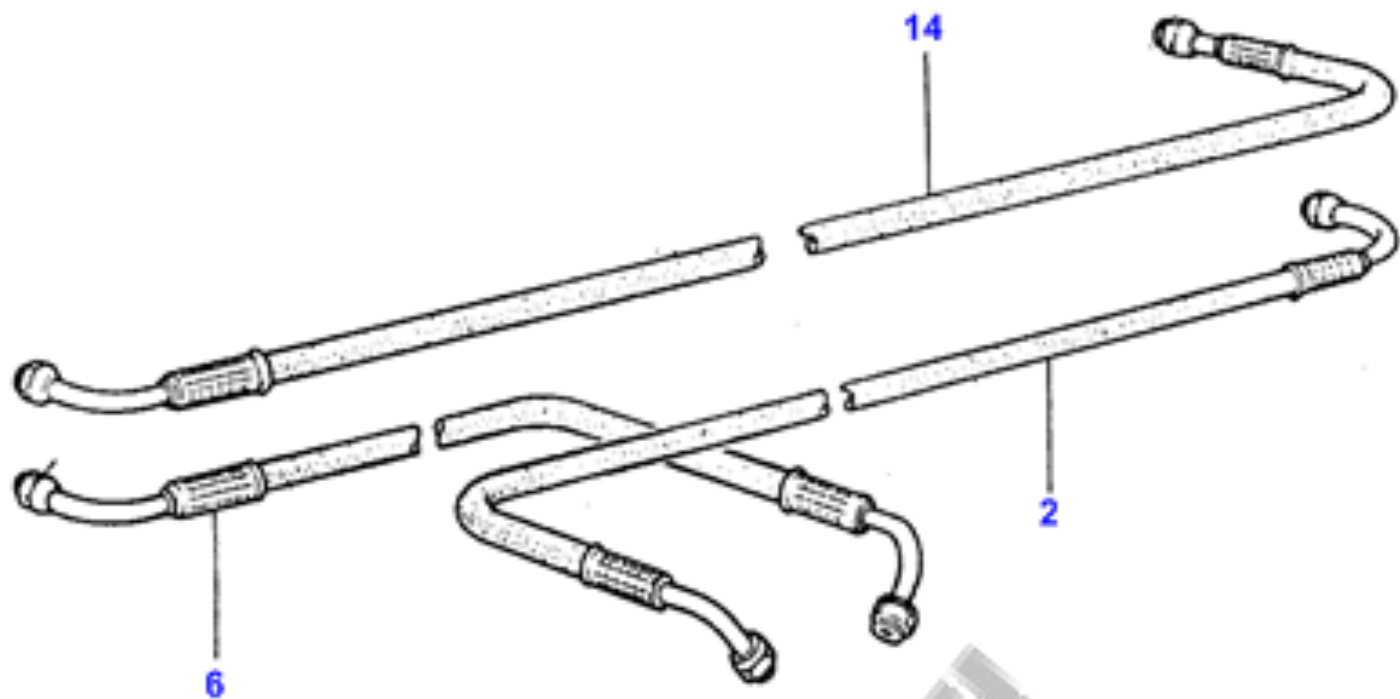
1-2960-032



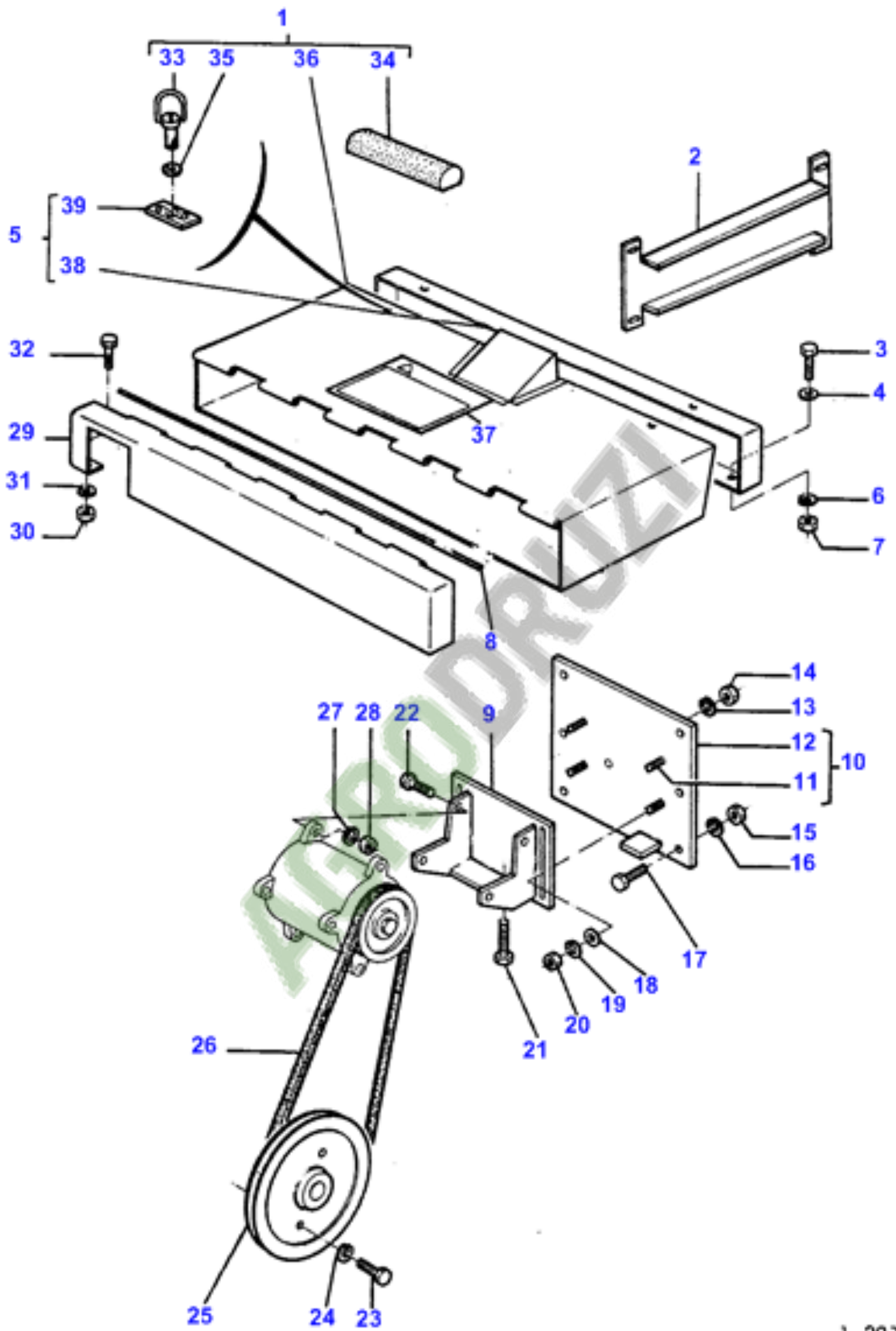
1-2960-029



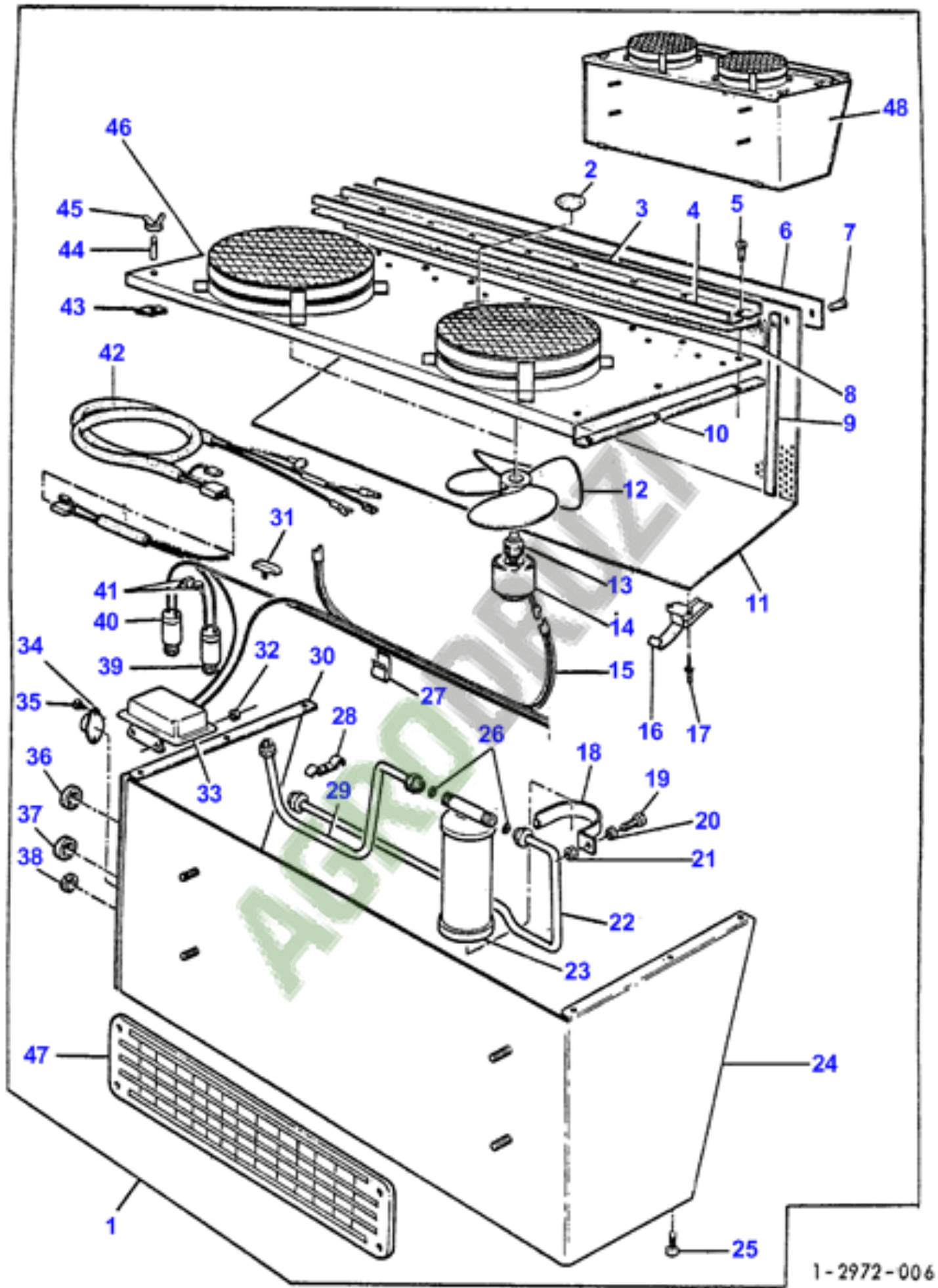
1 - 2960 - 033



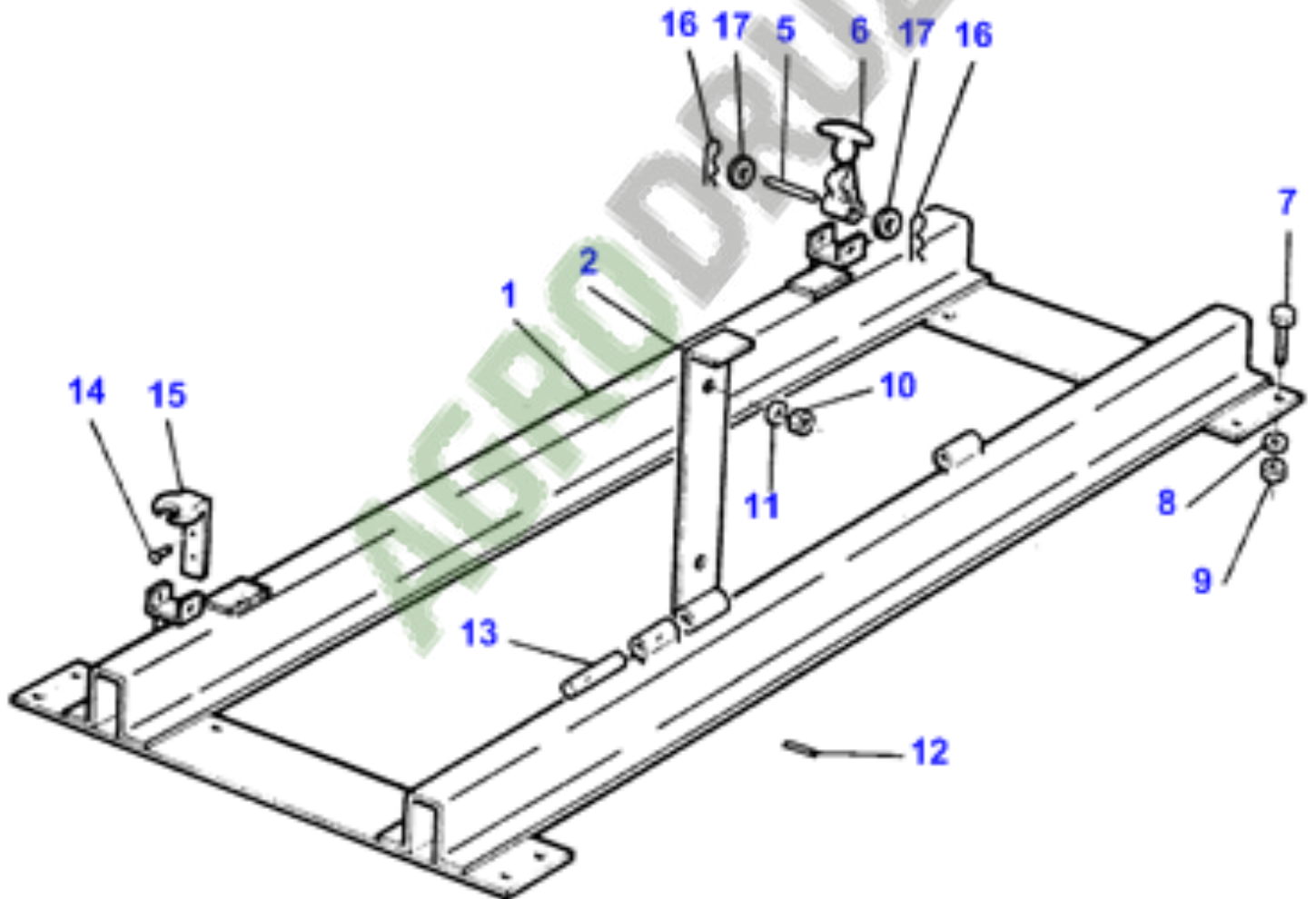
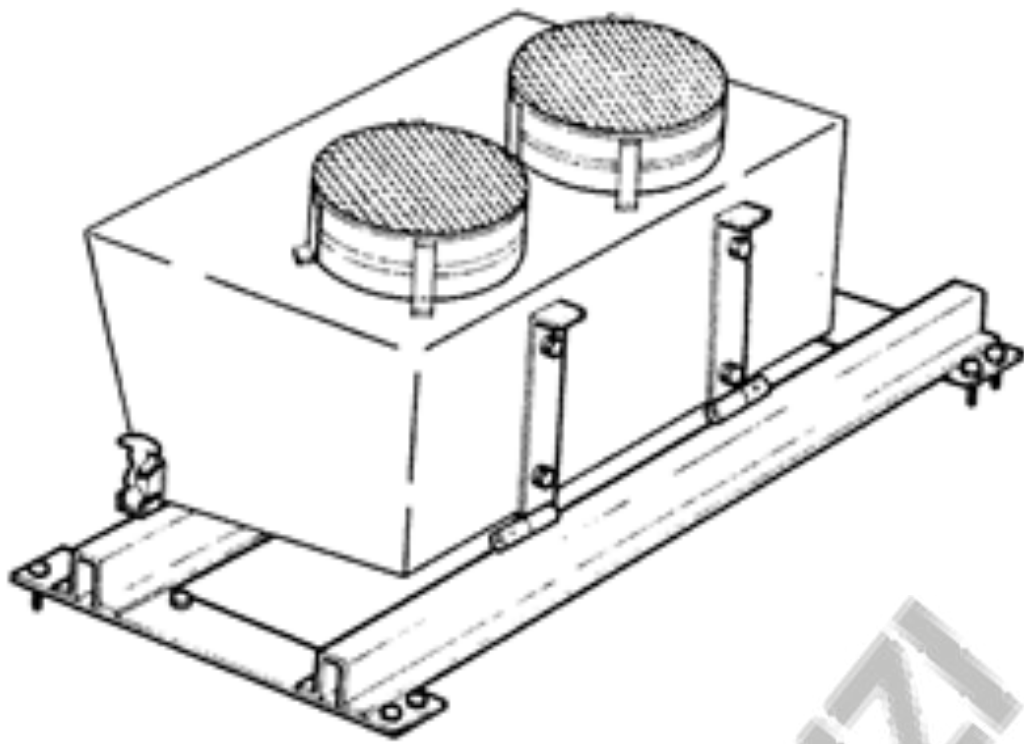
1 - 2971 - 008



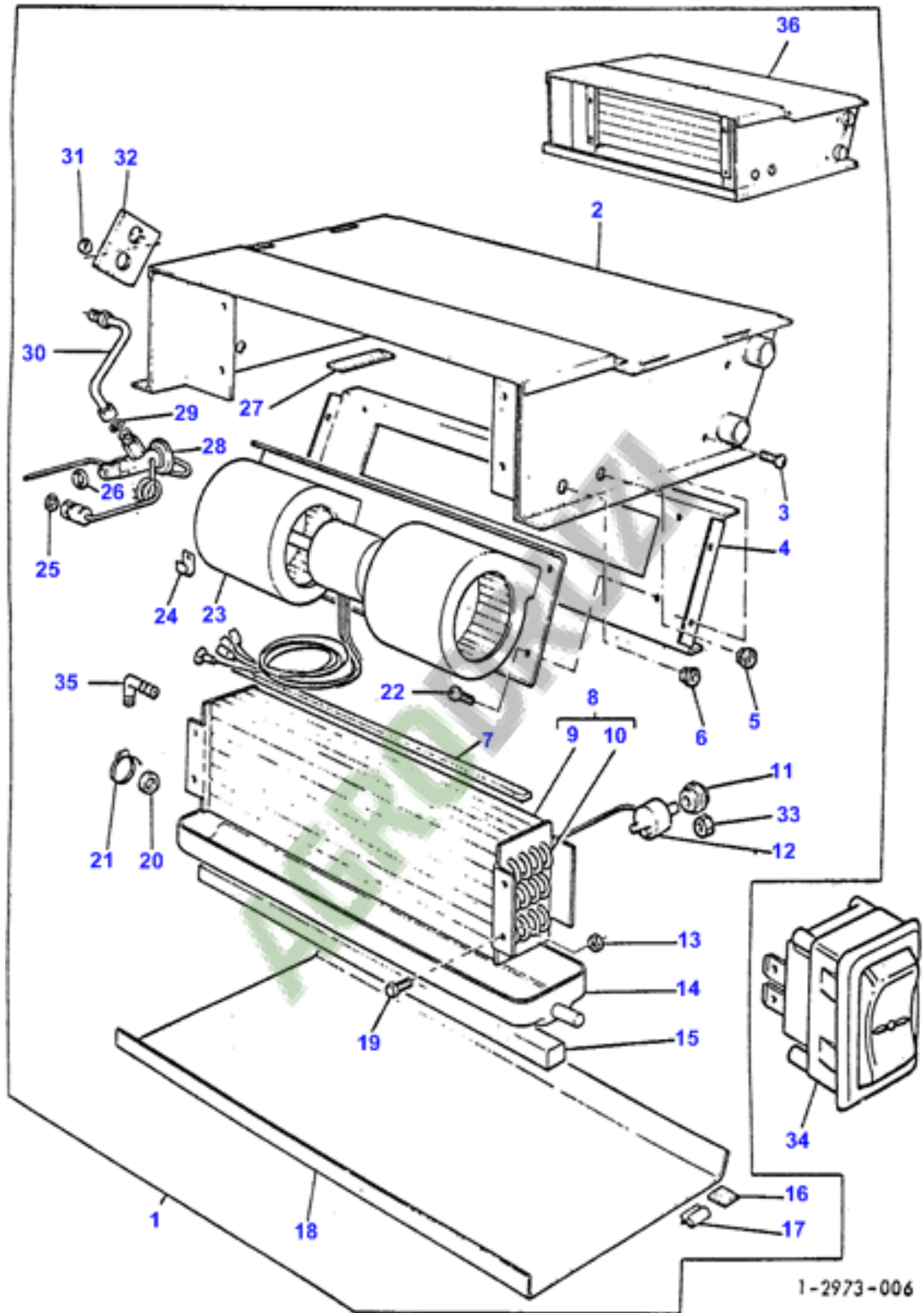
1-2971-009



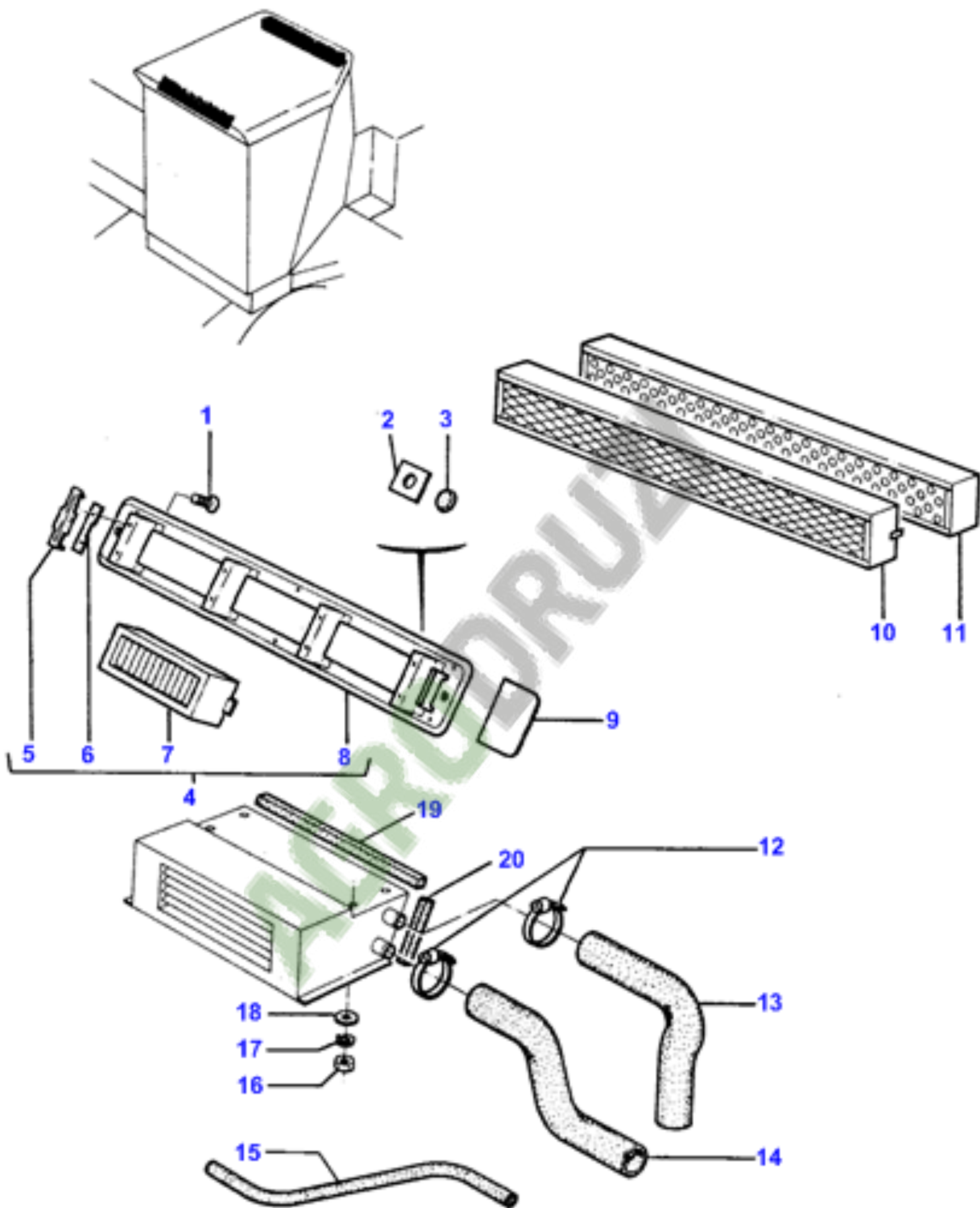
1-2972-006



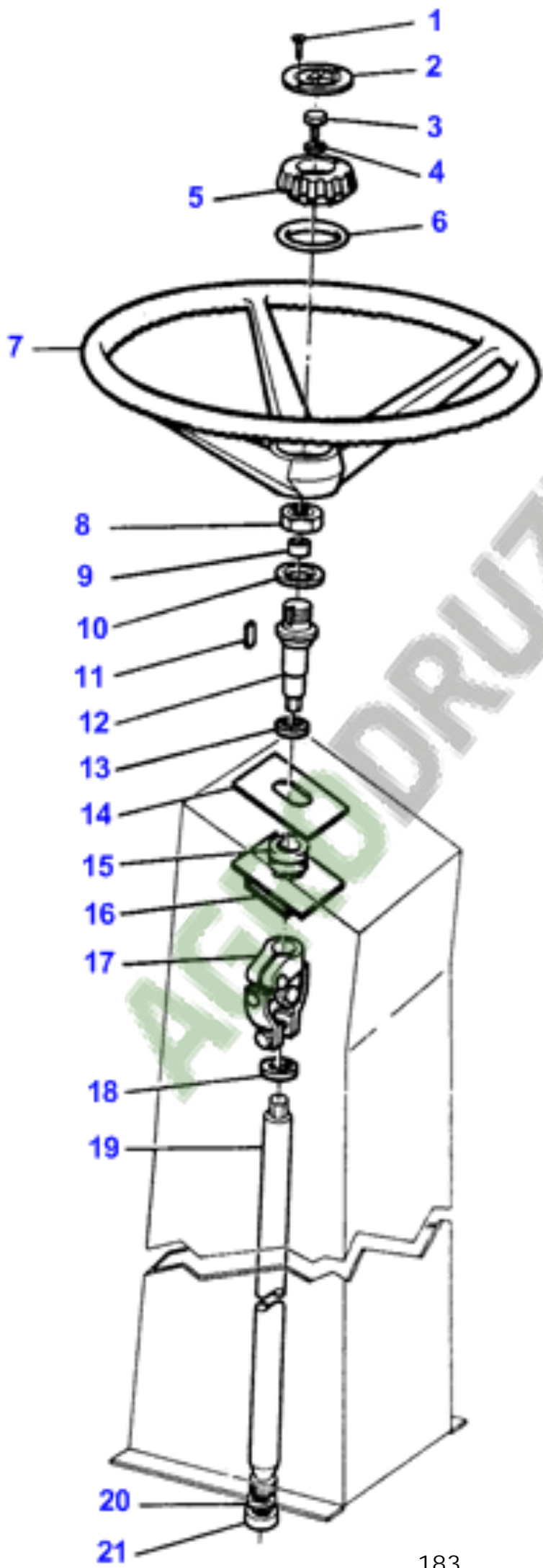
1- 2972- 005



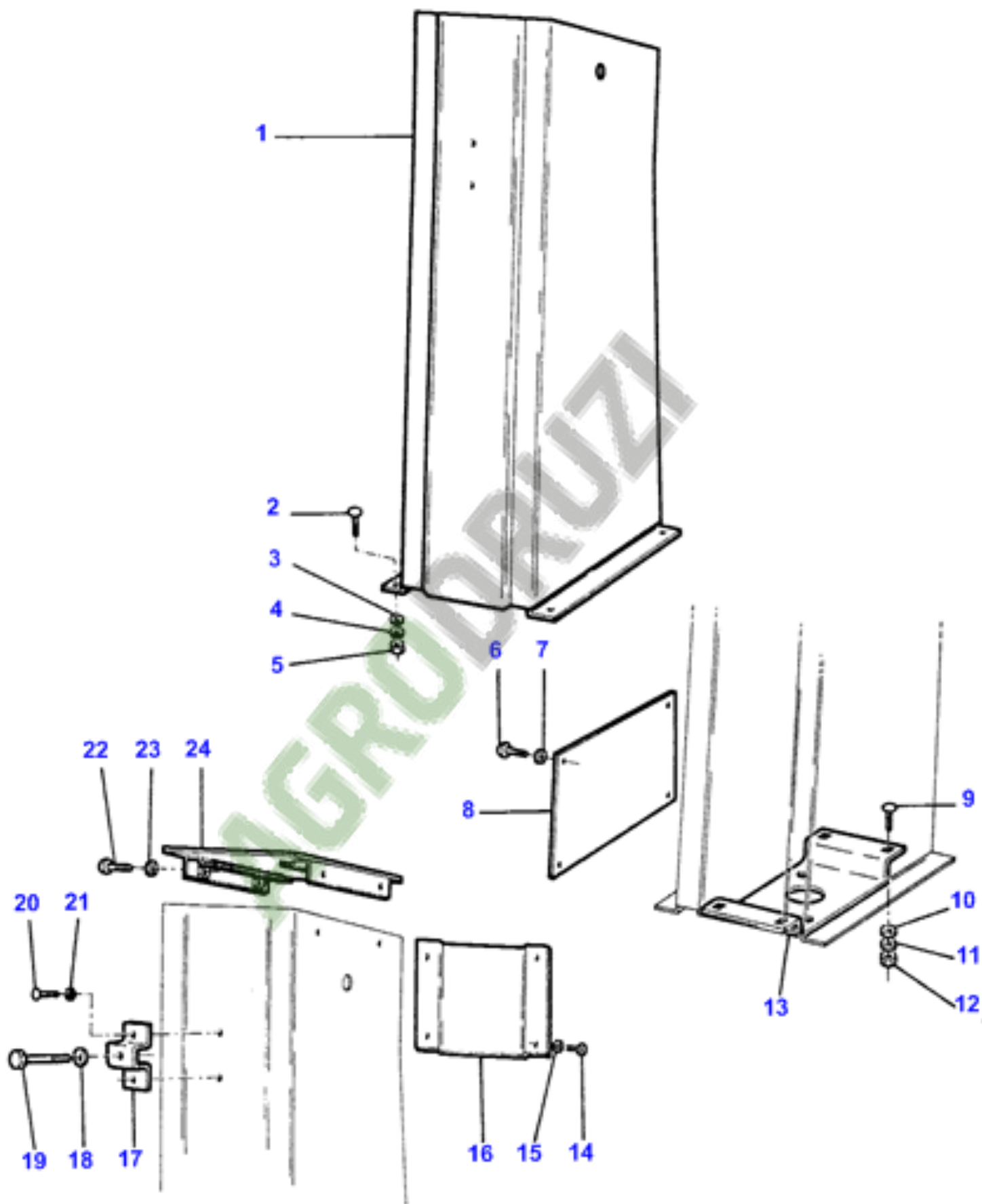
1-2973-006



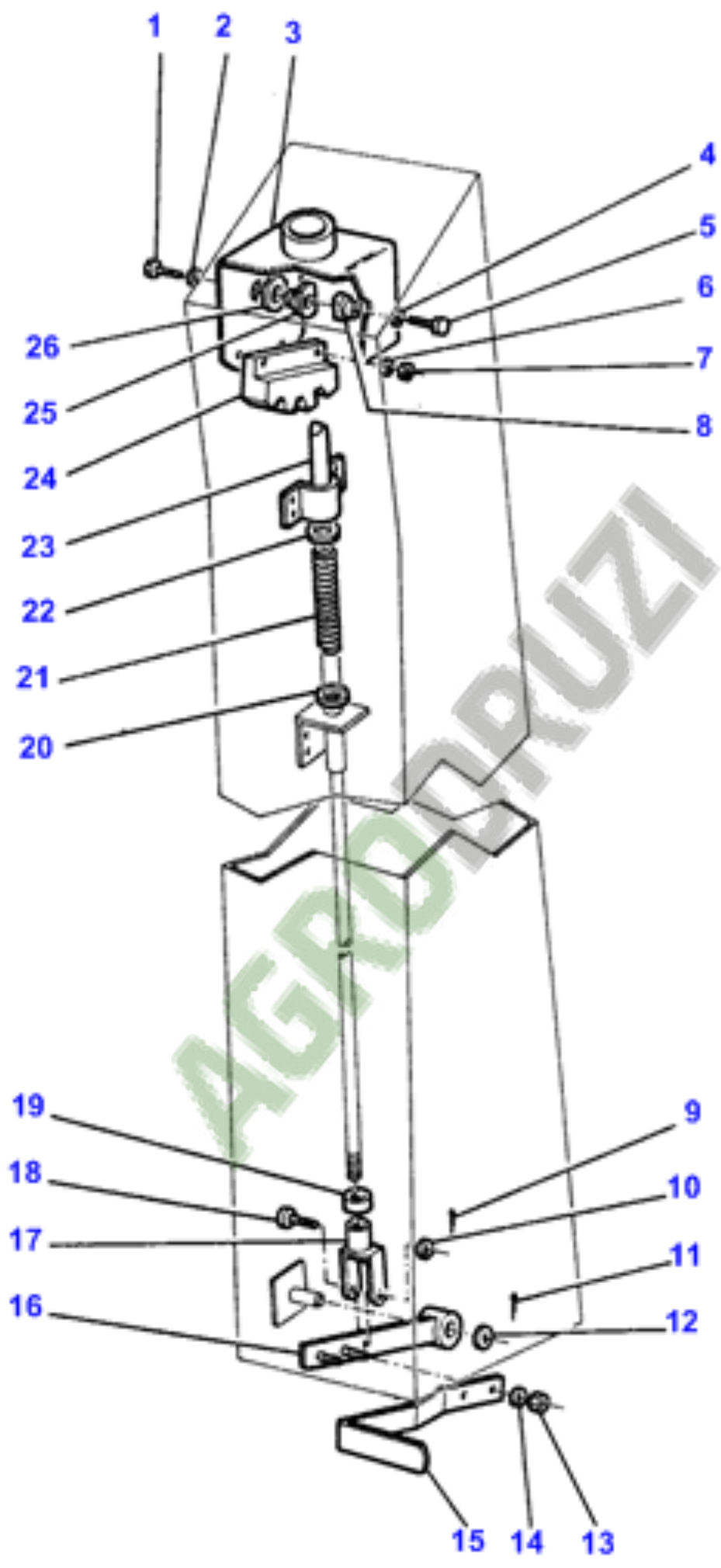
1-2973-005

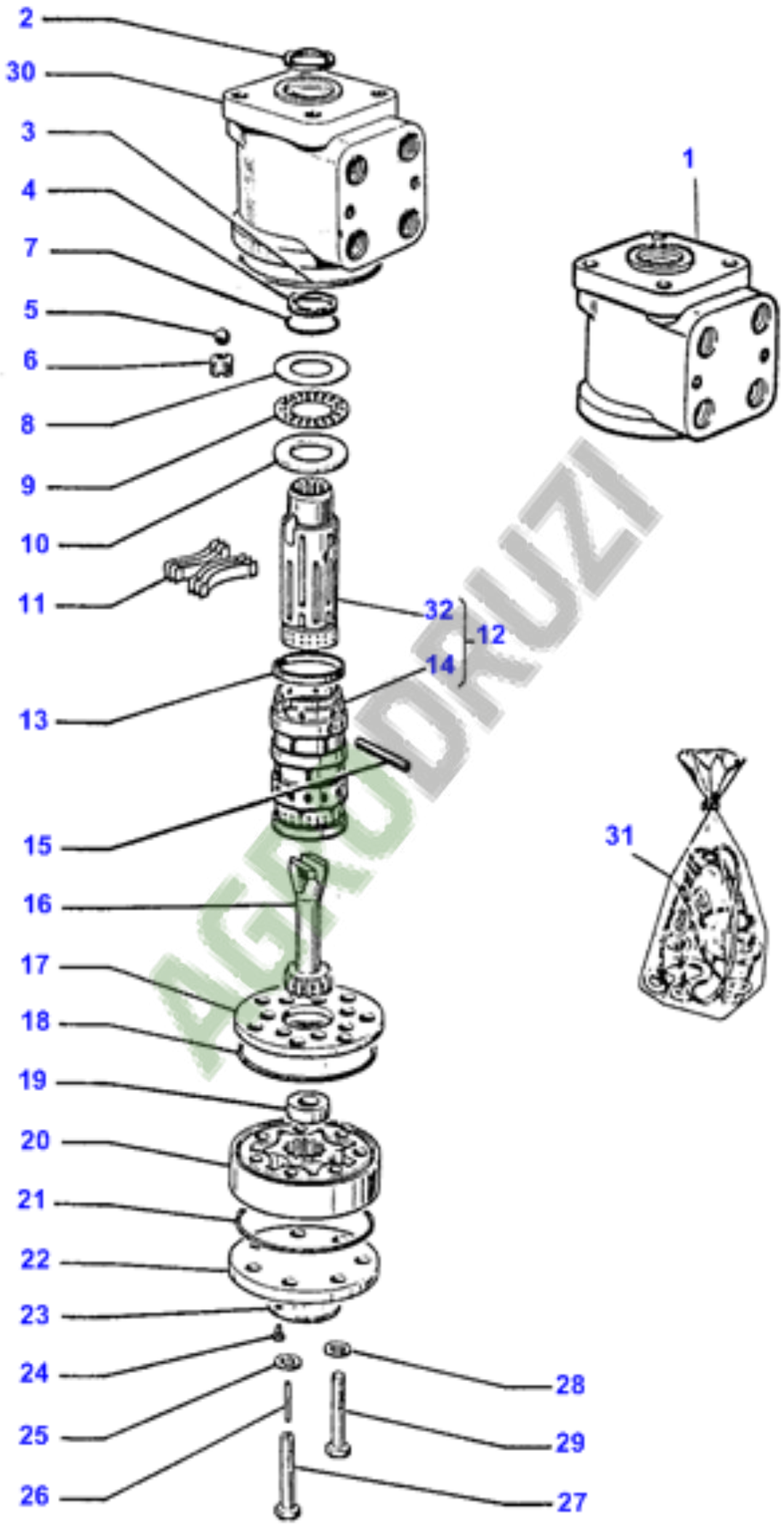


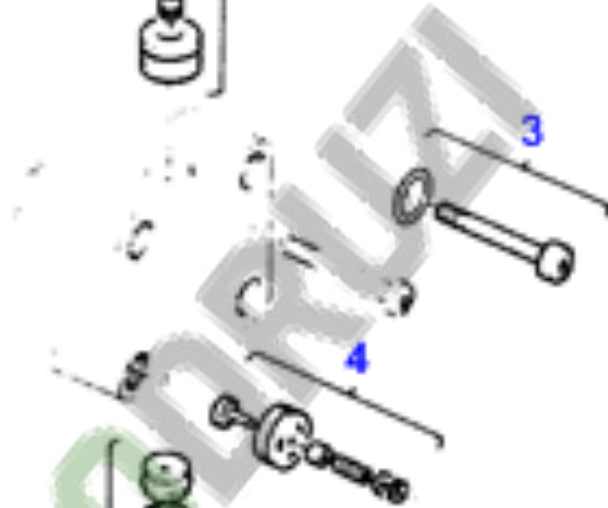
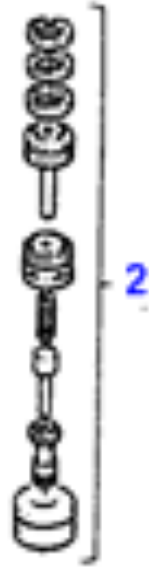
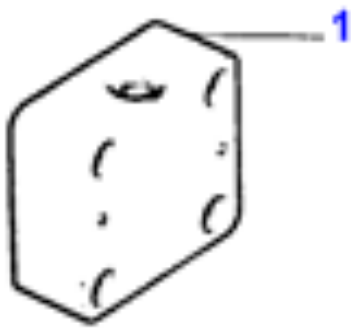
A large, semi-transparent watermark reading "AFIL DRUZI" is oriented diagonally across the center of the diagram.



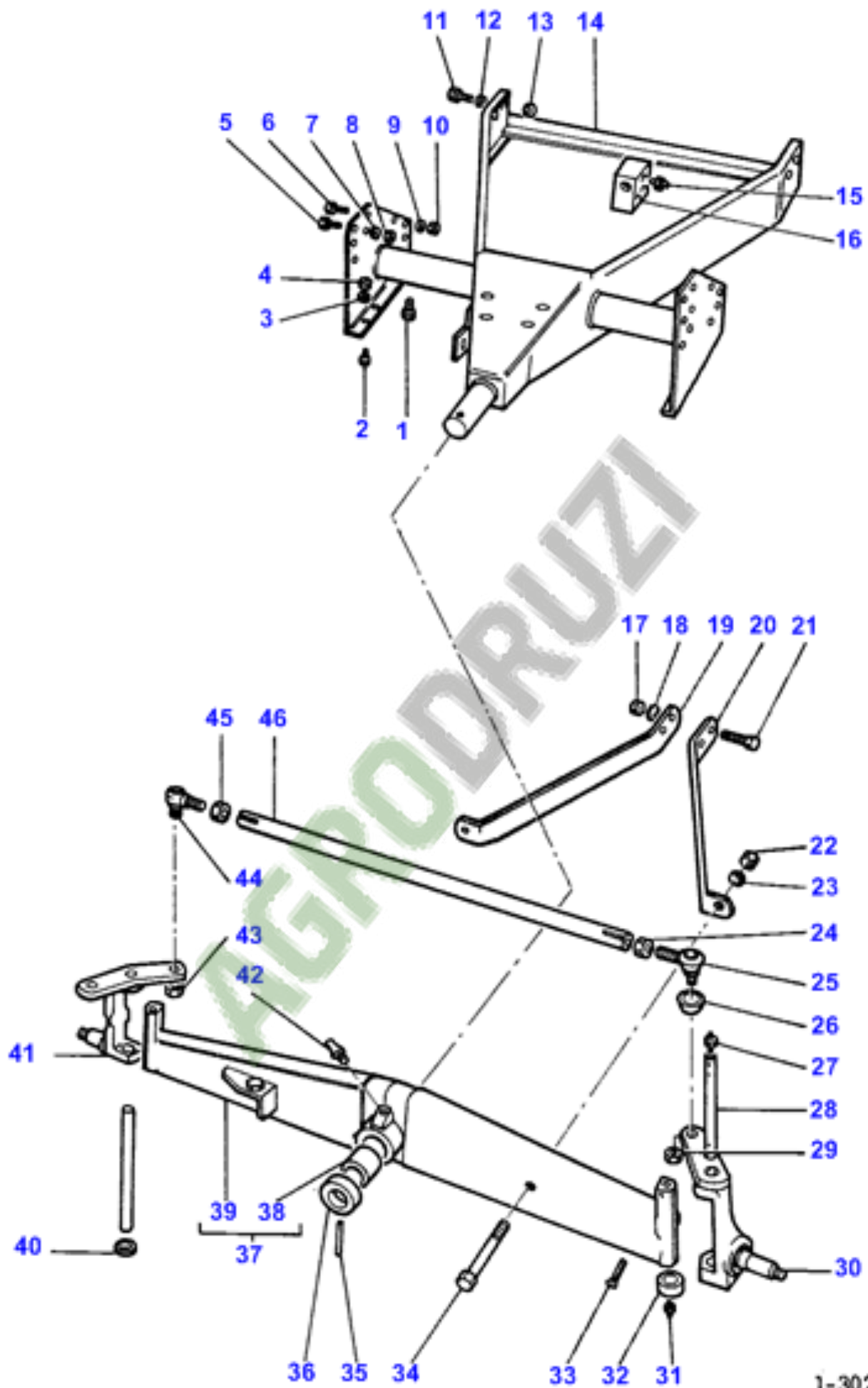
1 - 3005 - 003



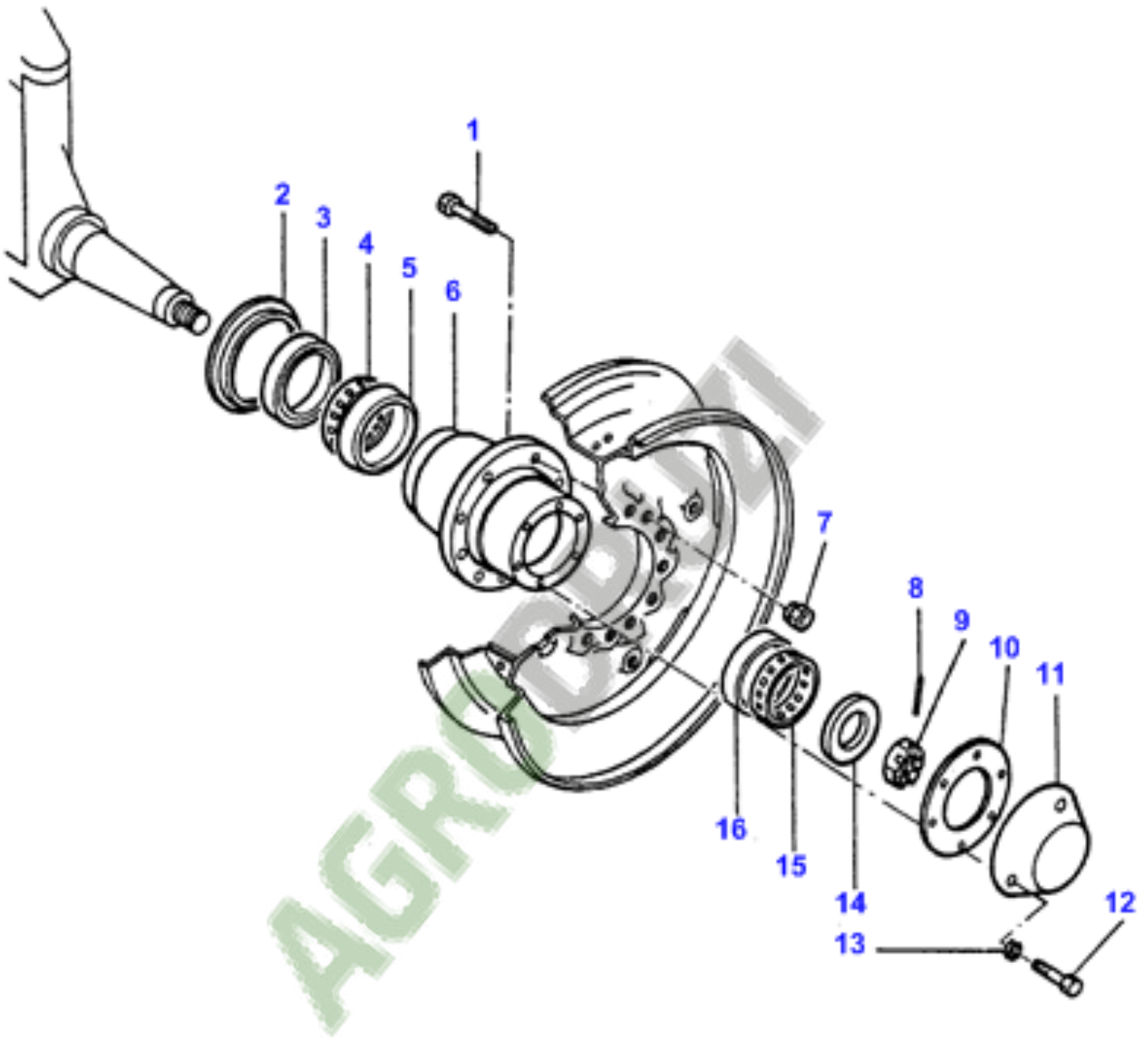




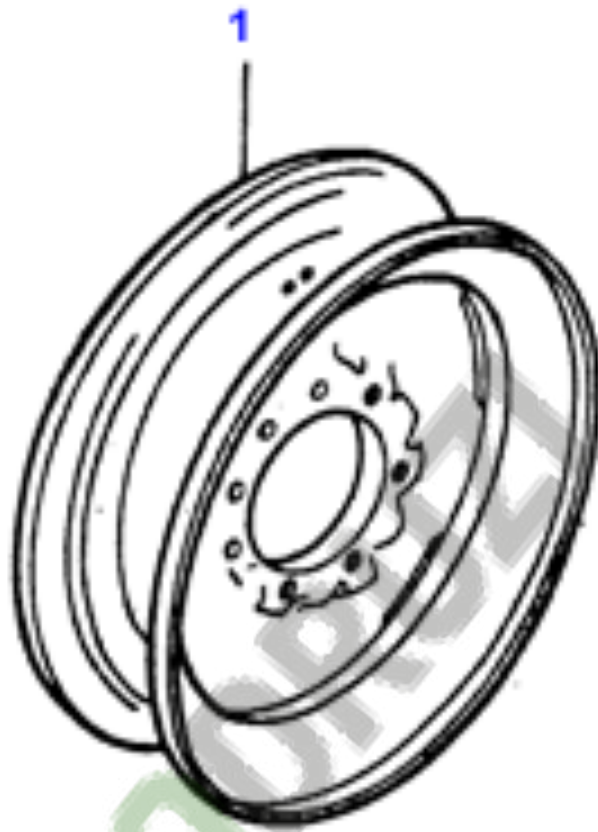
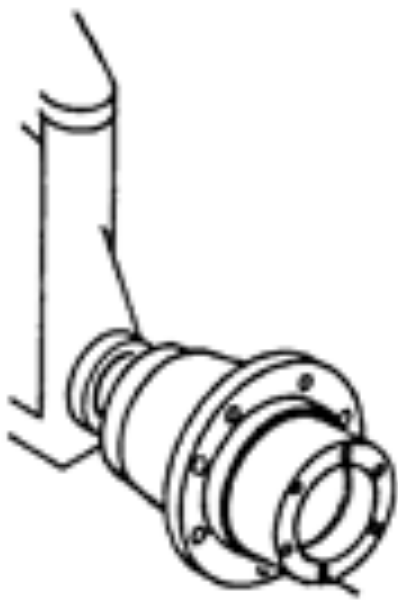
AGRO PARTS



1-3022-008

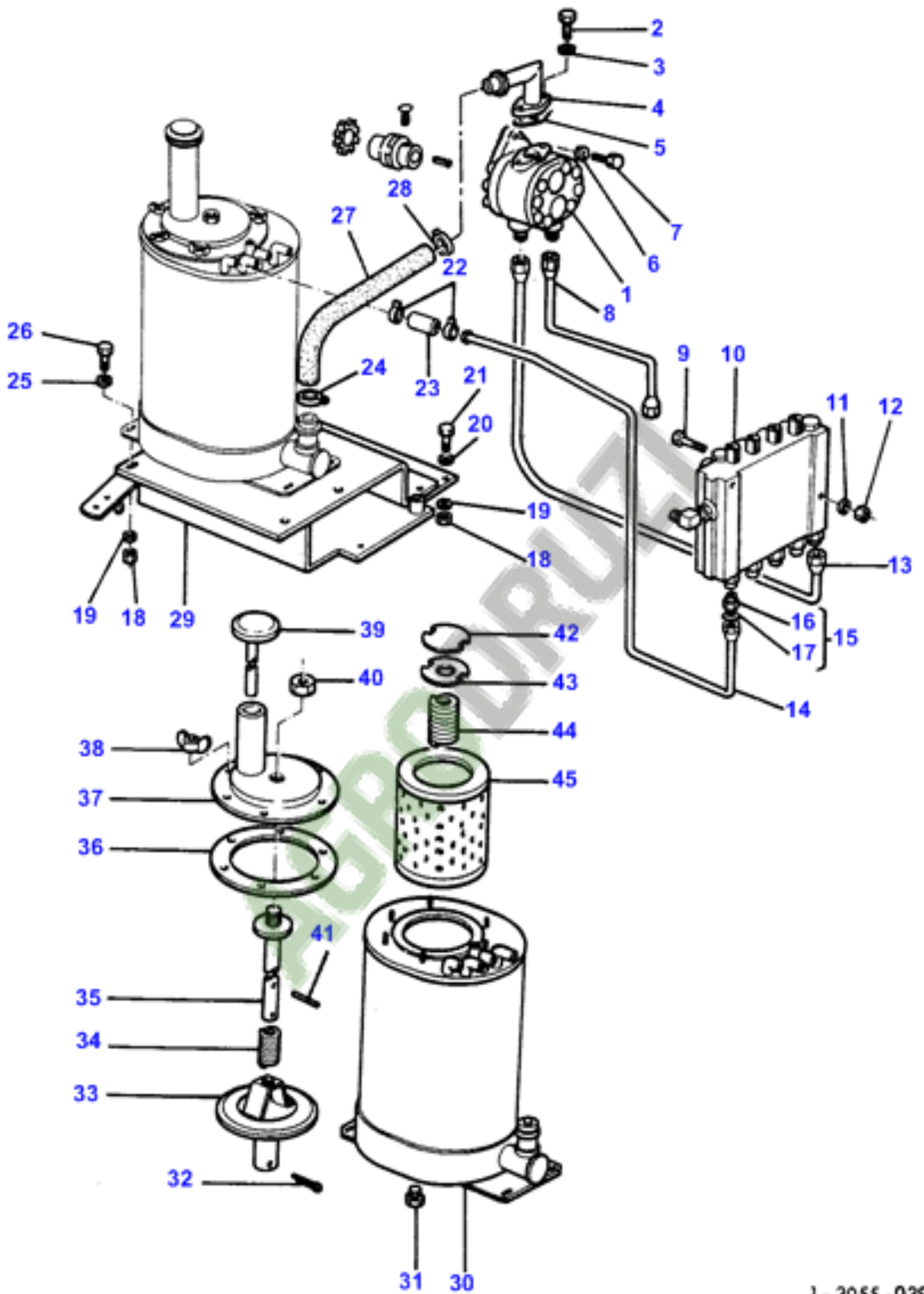


1-3022-009

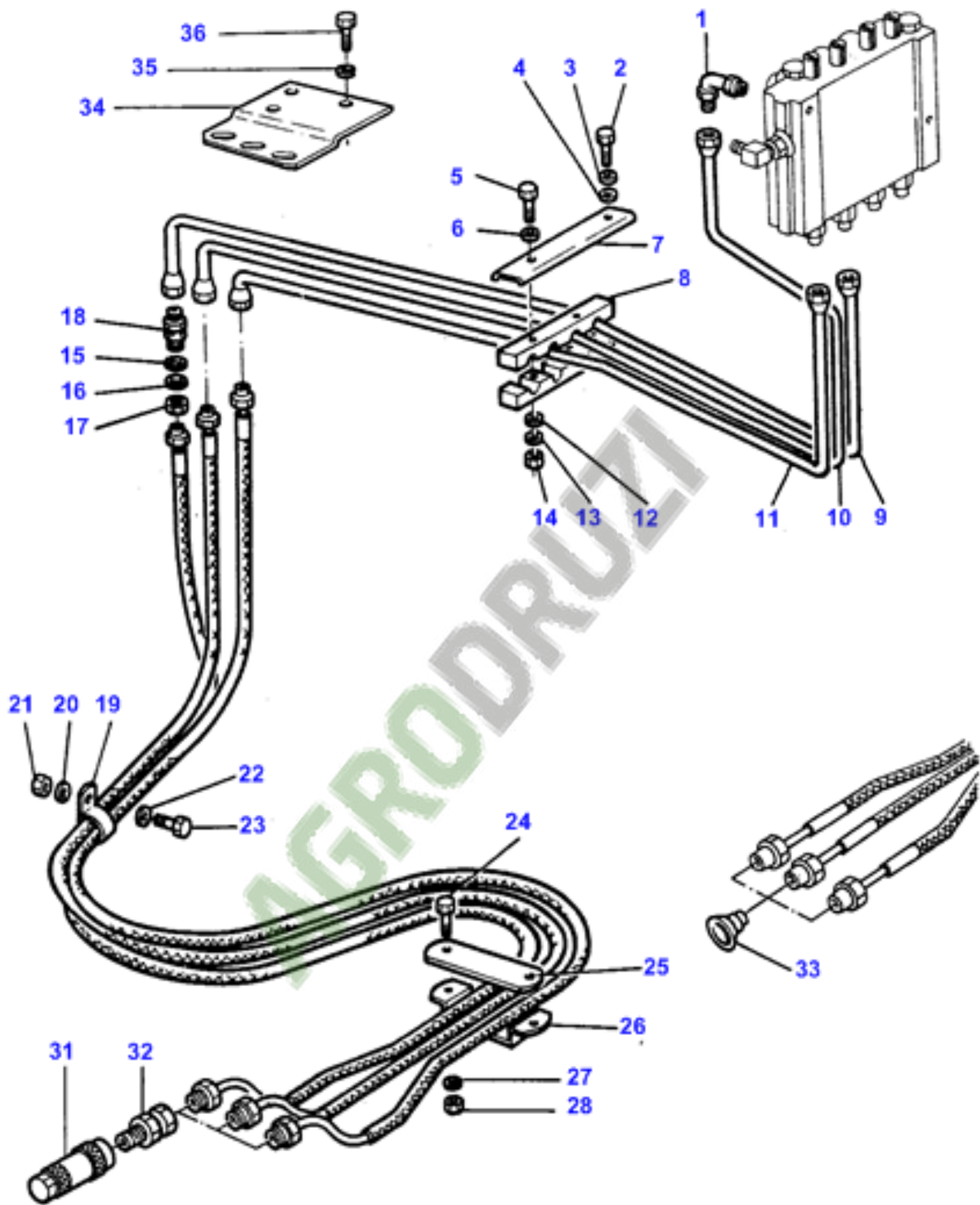


AGRO

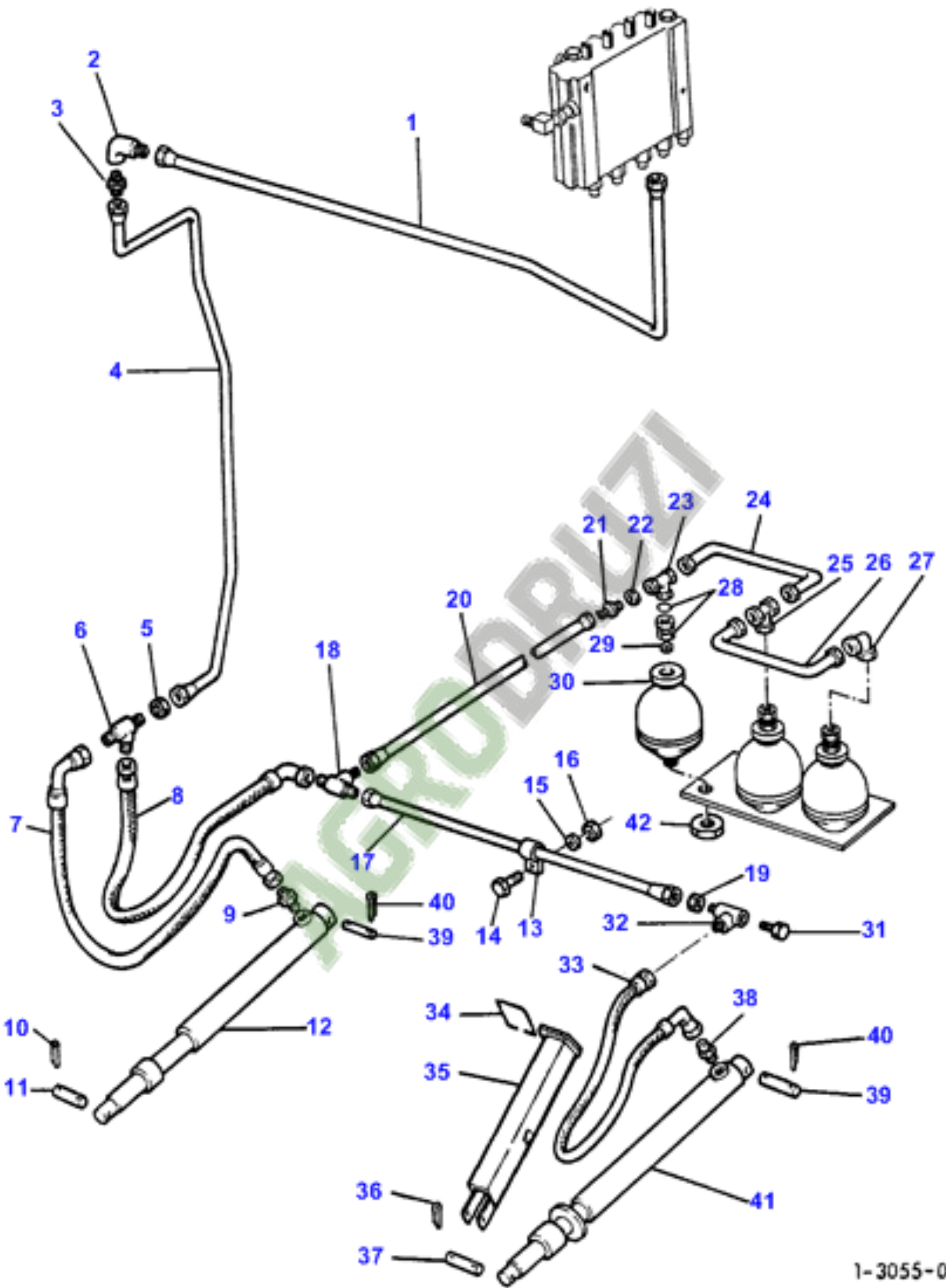
1-3021-001



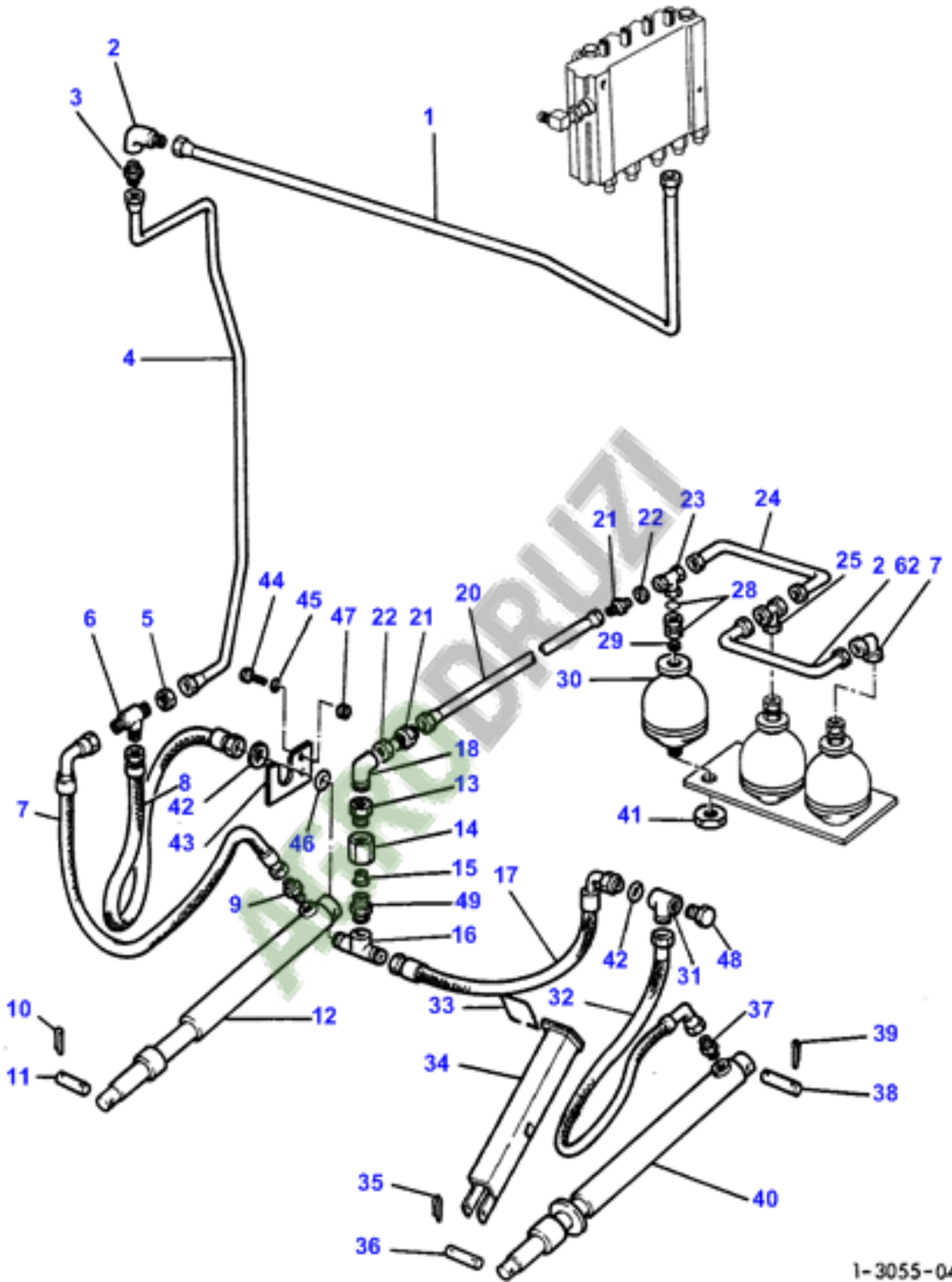
1 - 3055 - 039



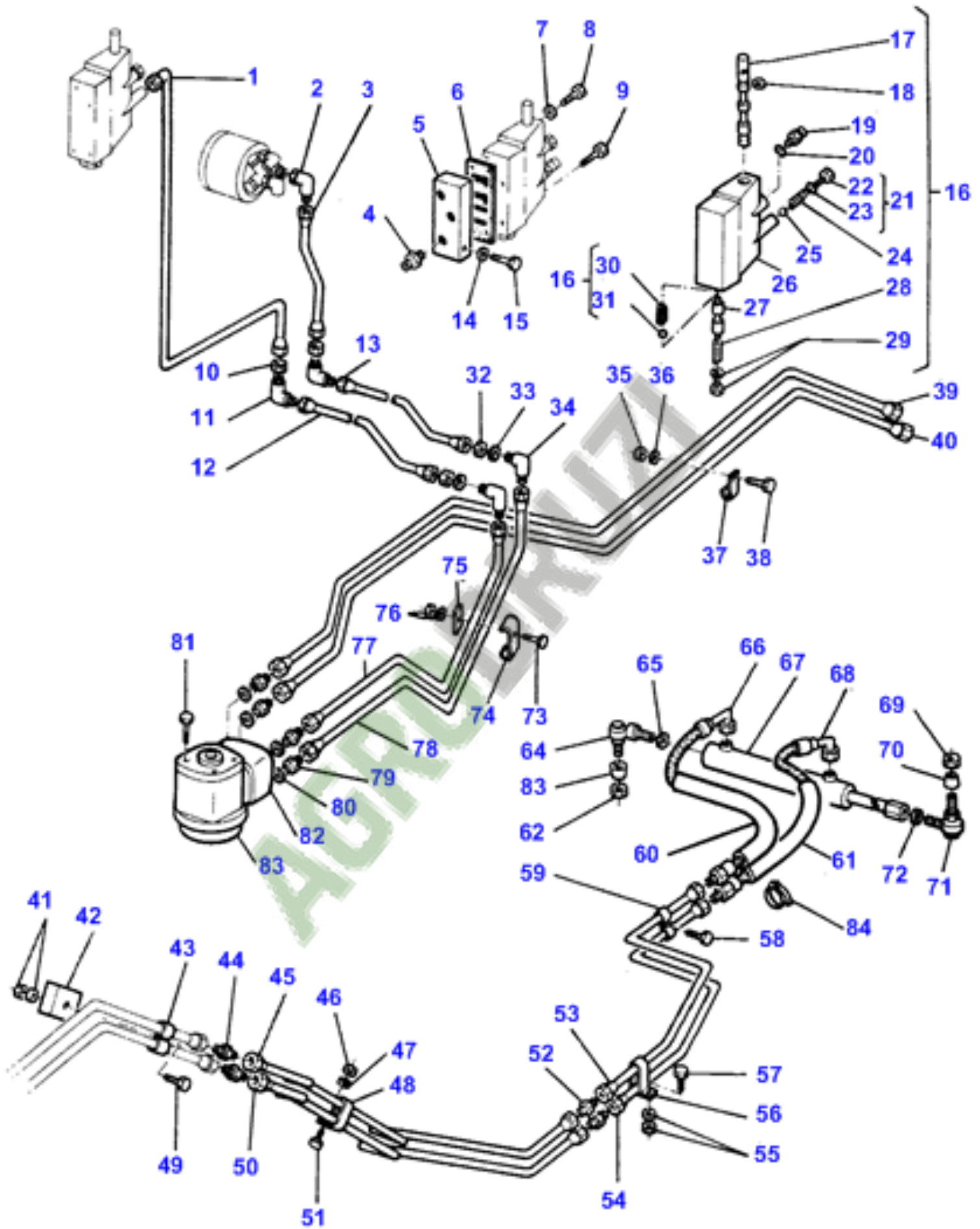
1-3055-040



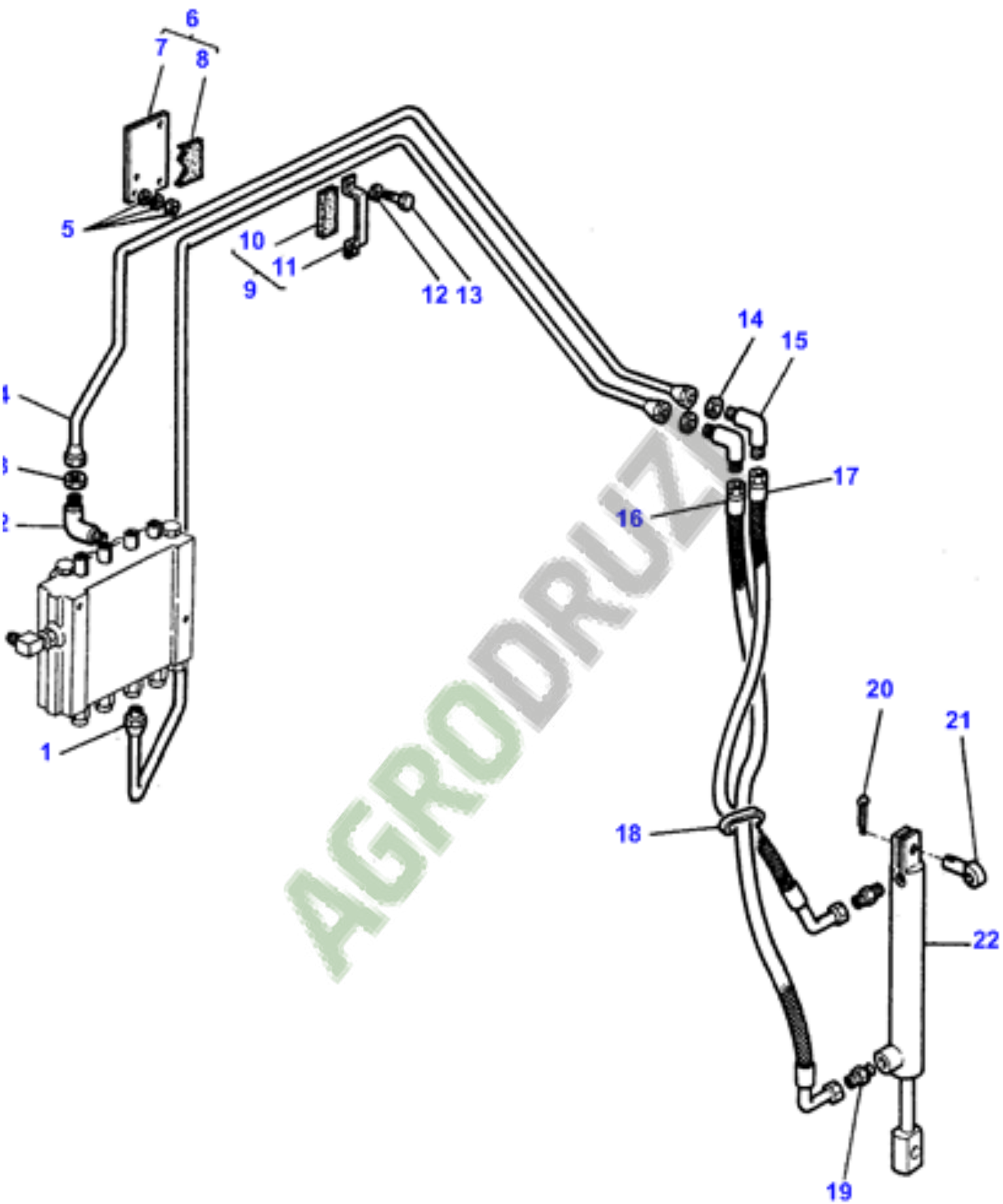
1-3055-042



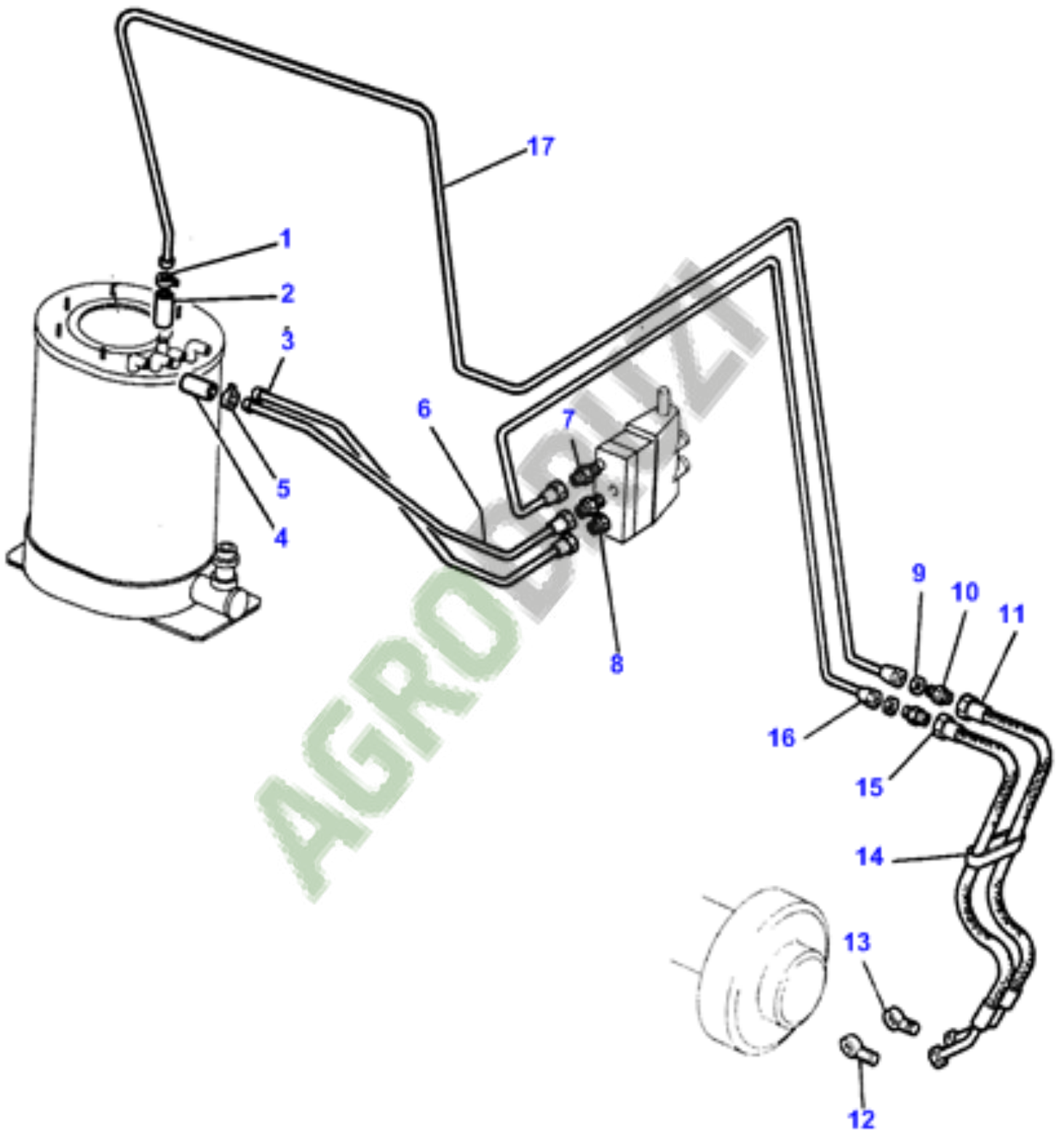
1-3055-041



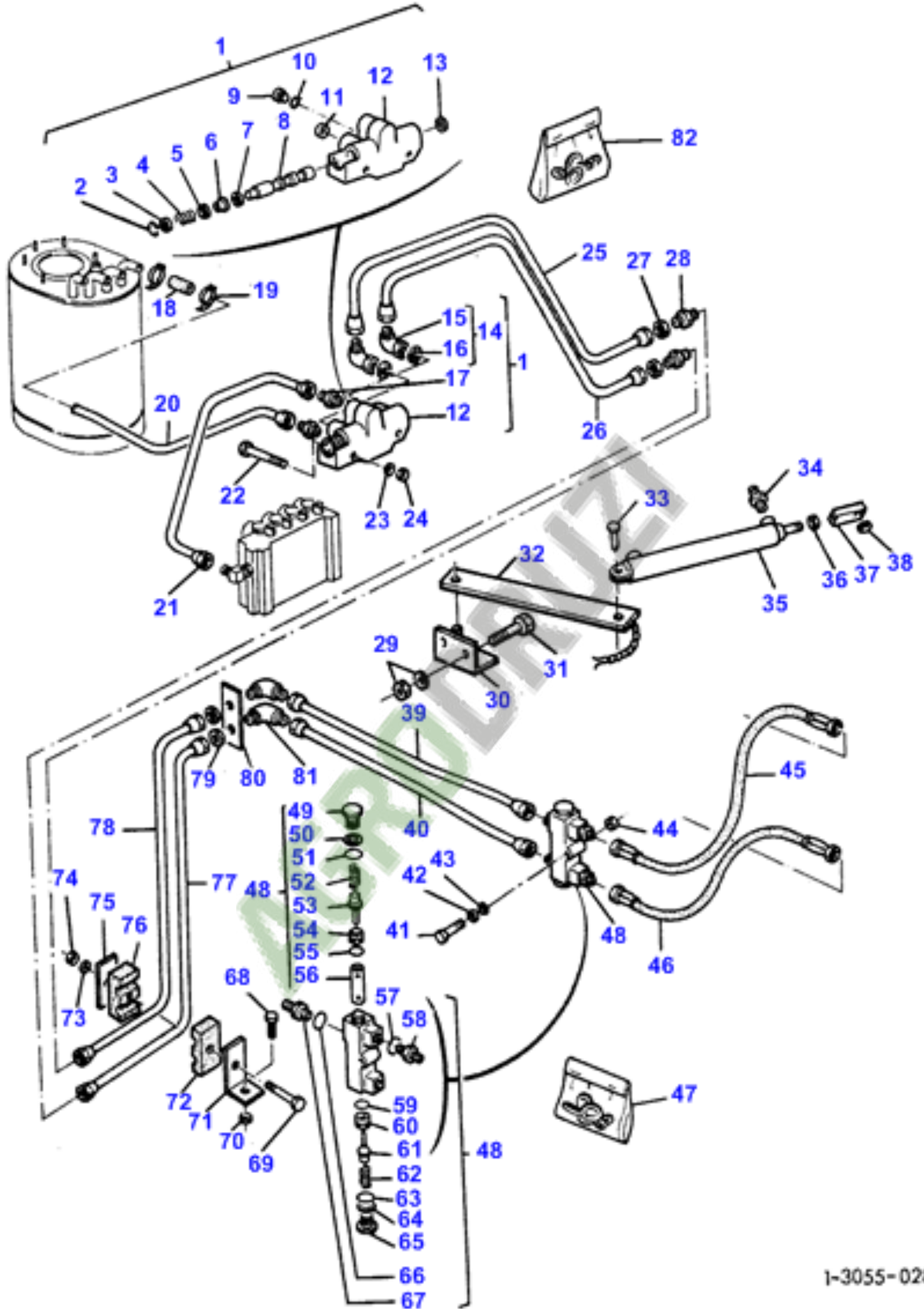
1 - 3055 - 043



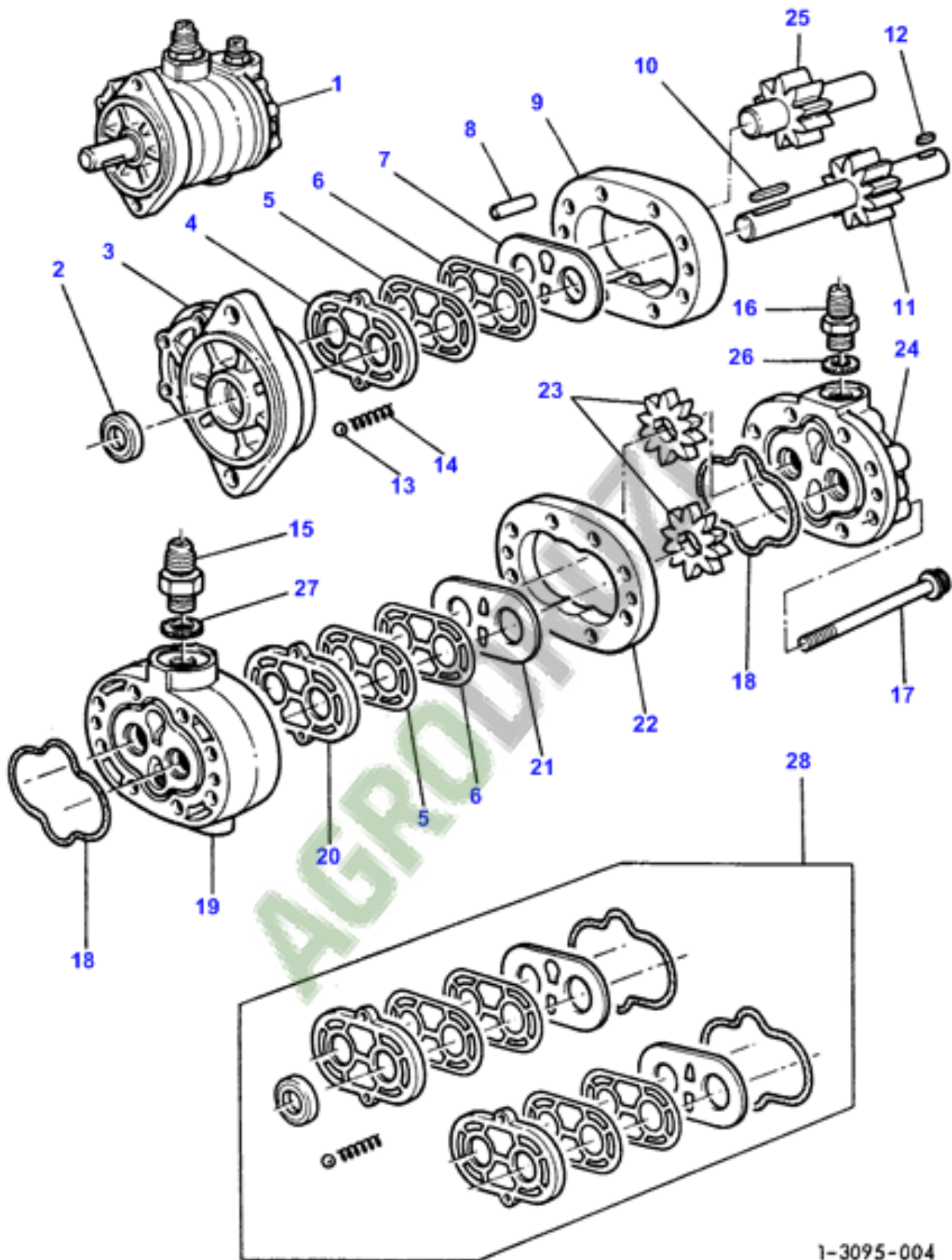
1-3055-005



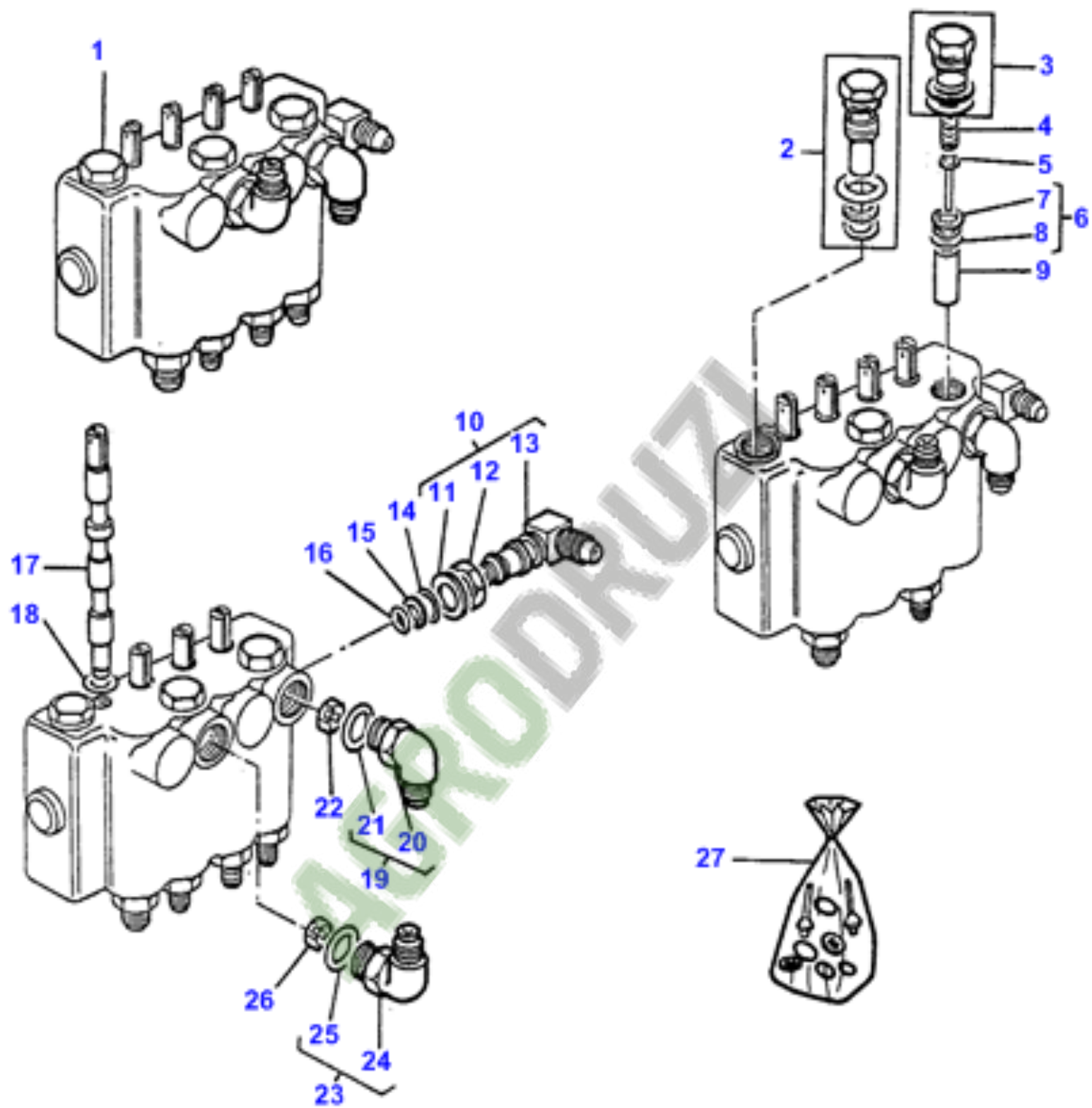
1-3055-037



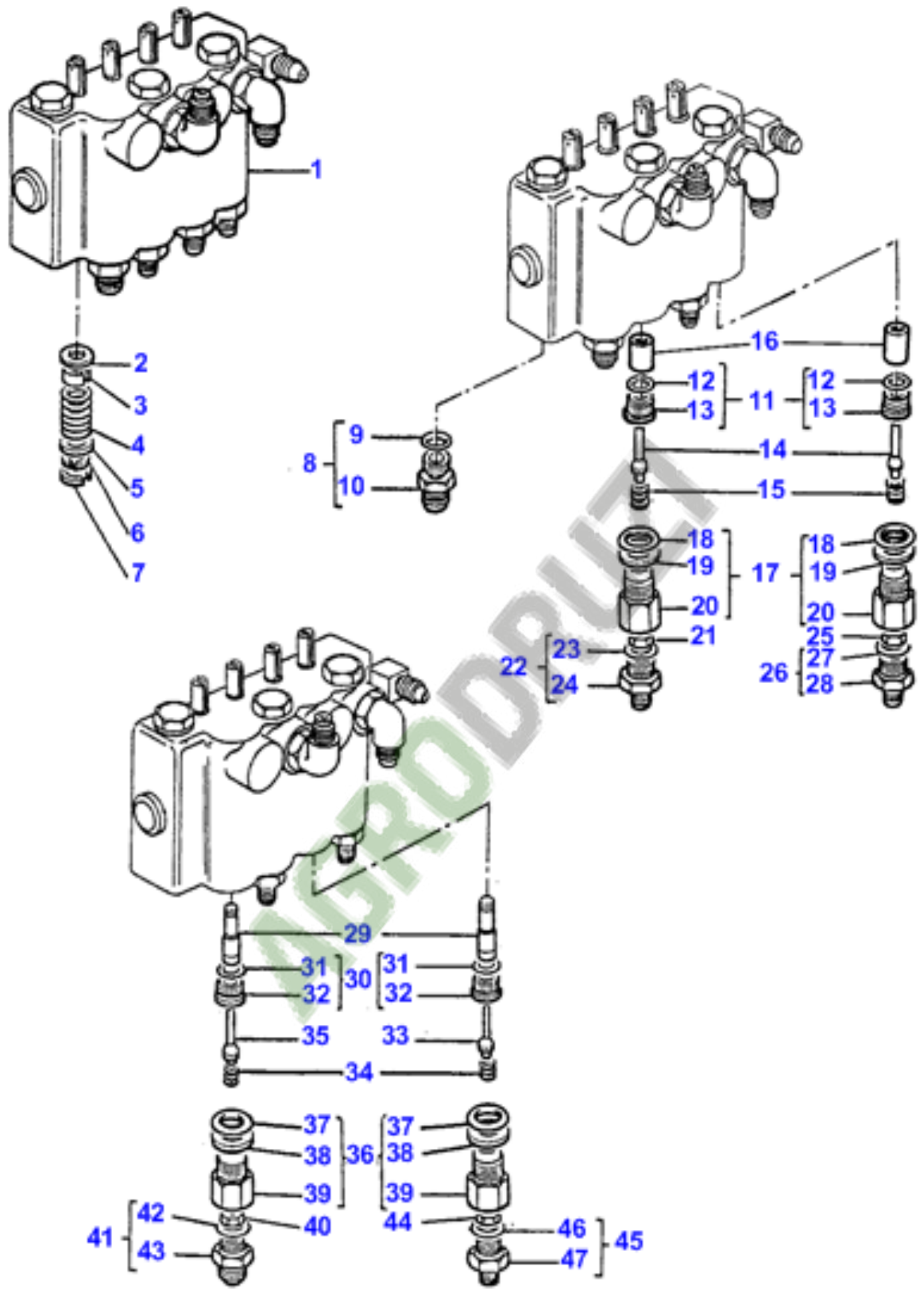
1-3055-028



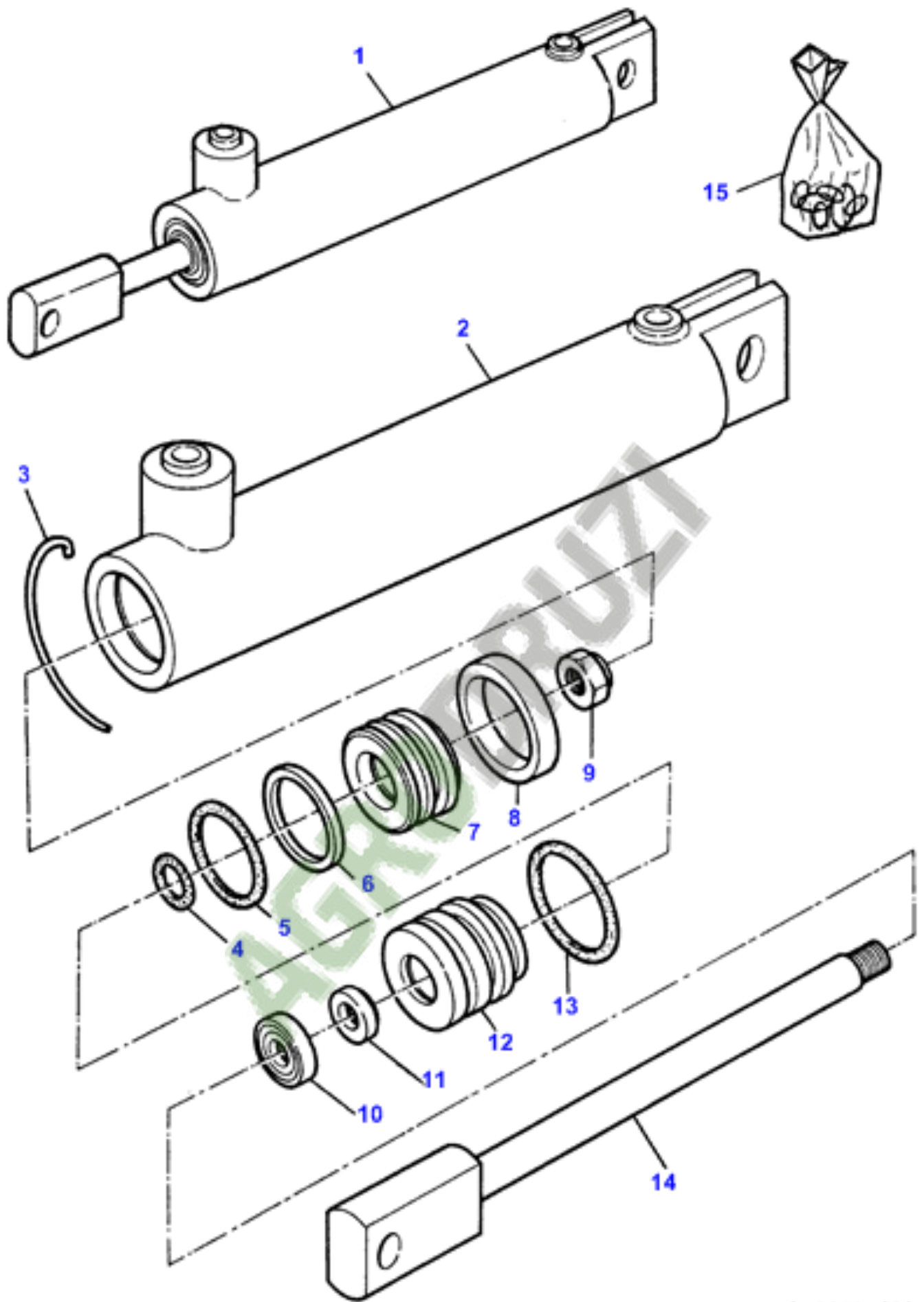
1-3095-004



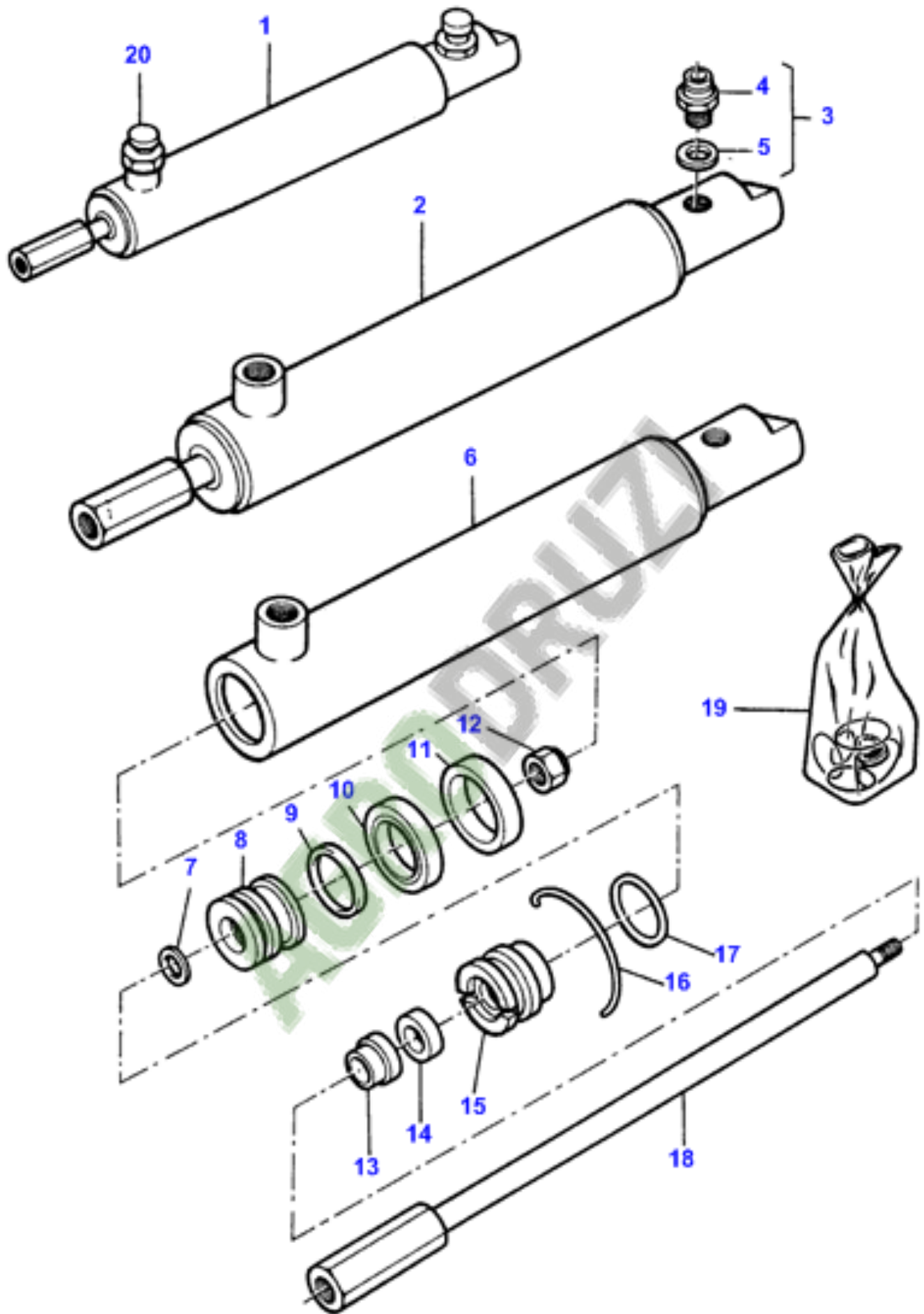
1-3165-012



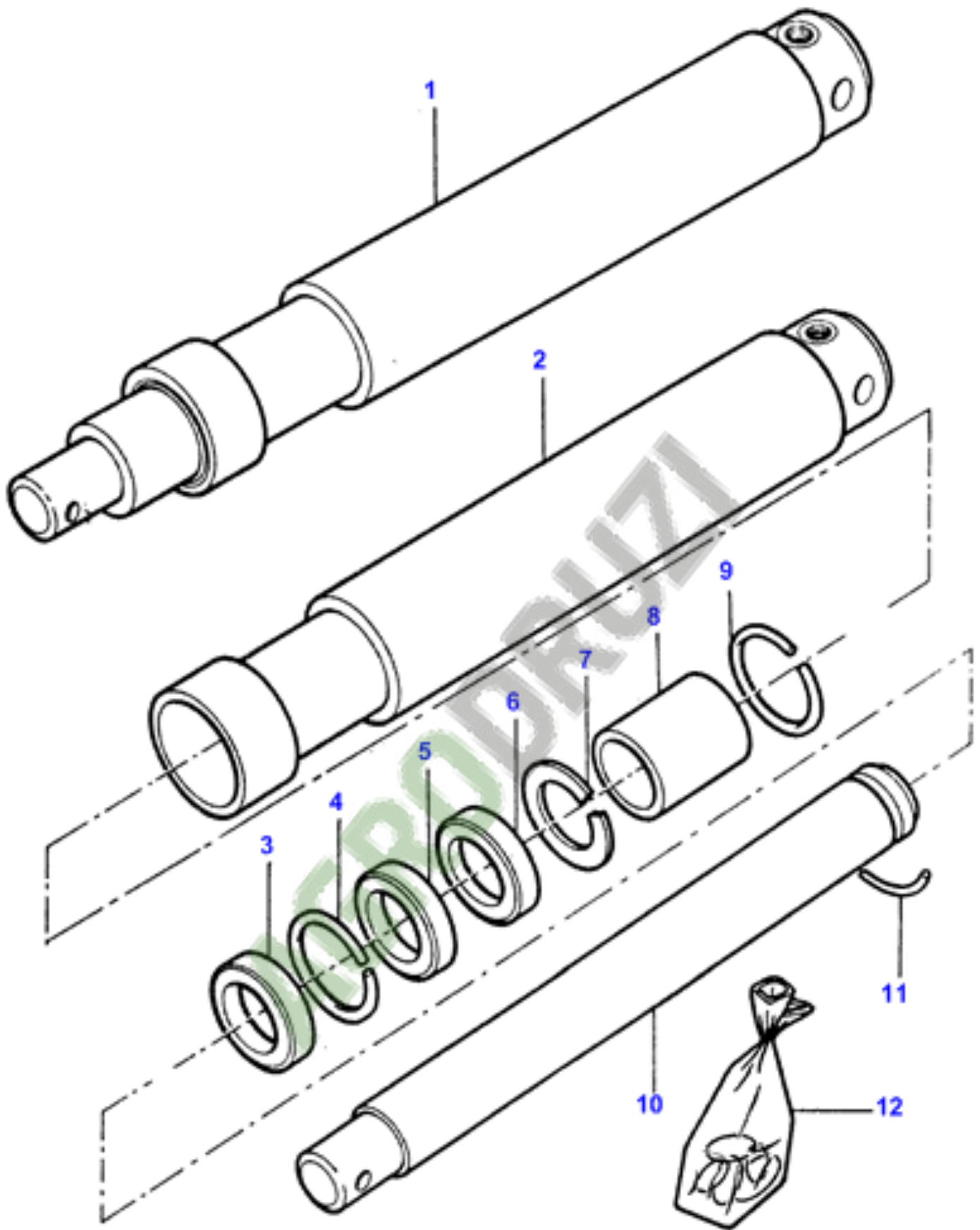
1 - 3165 - 013



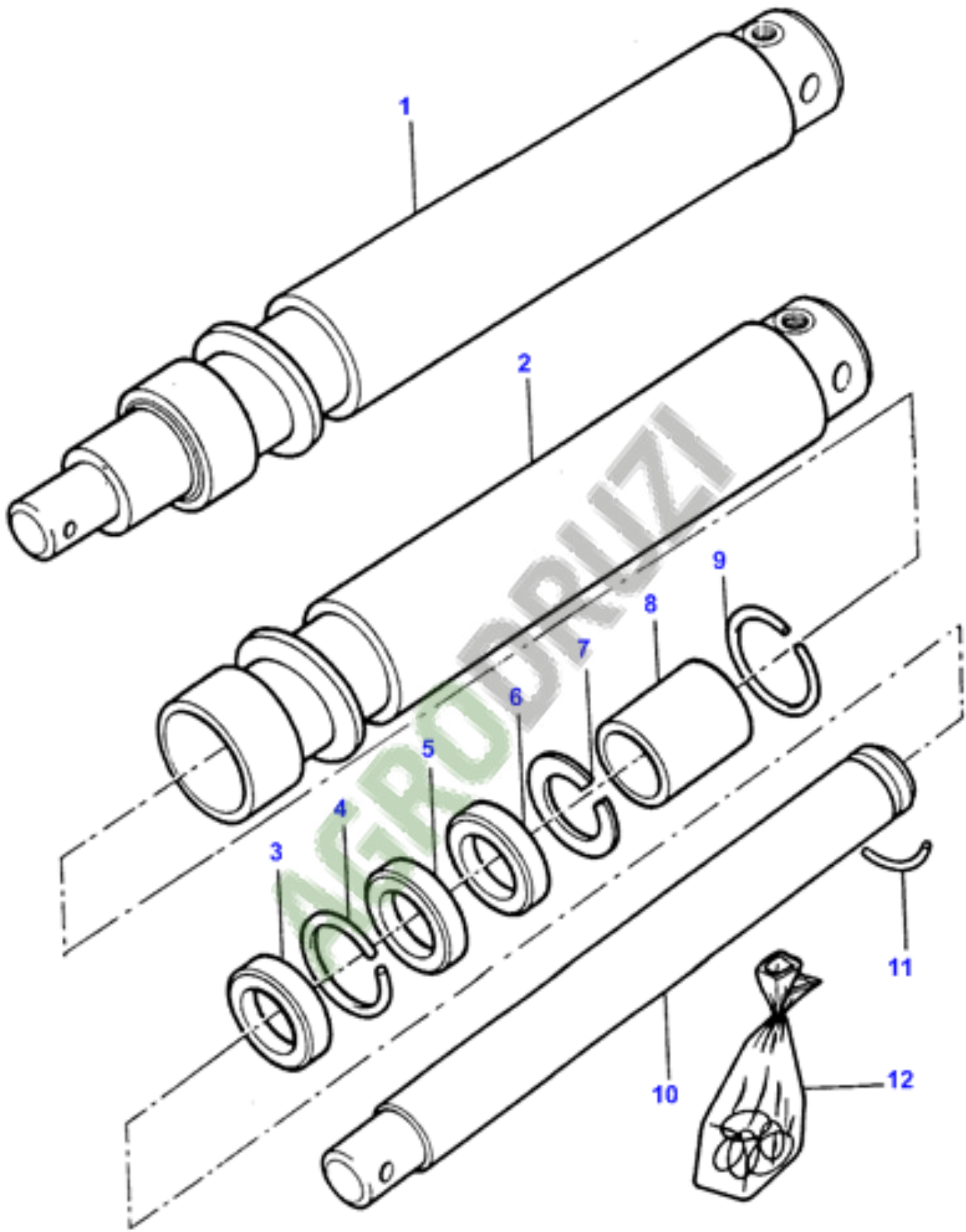
1-3115-002



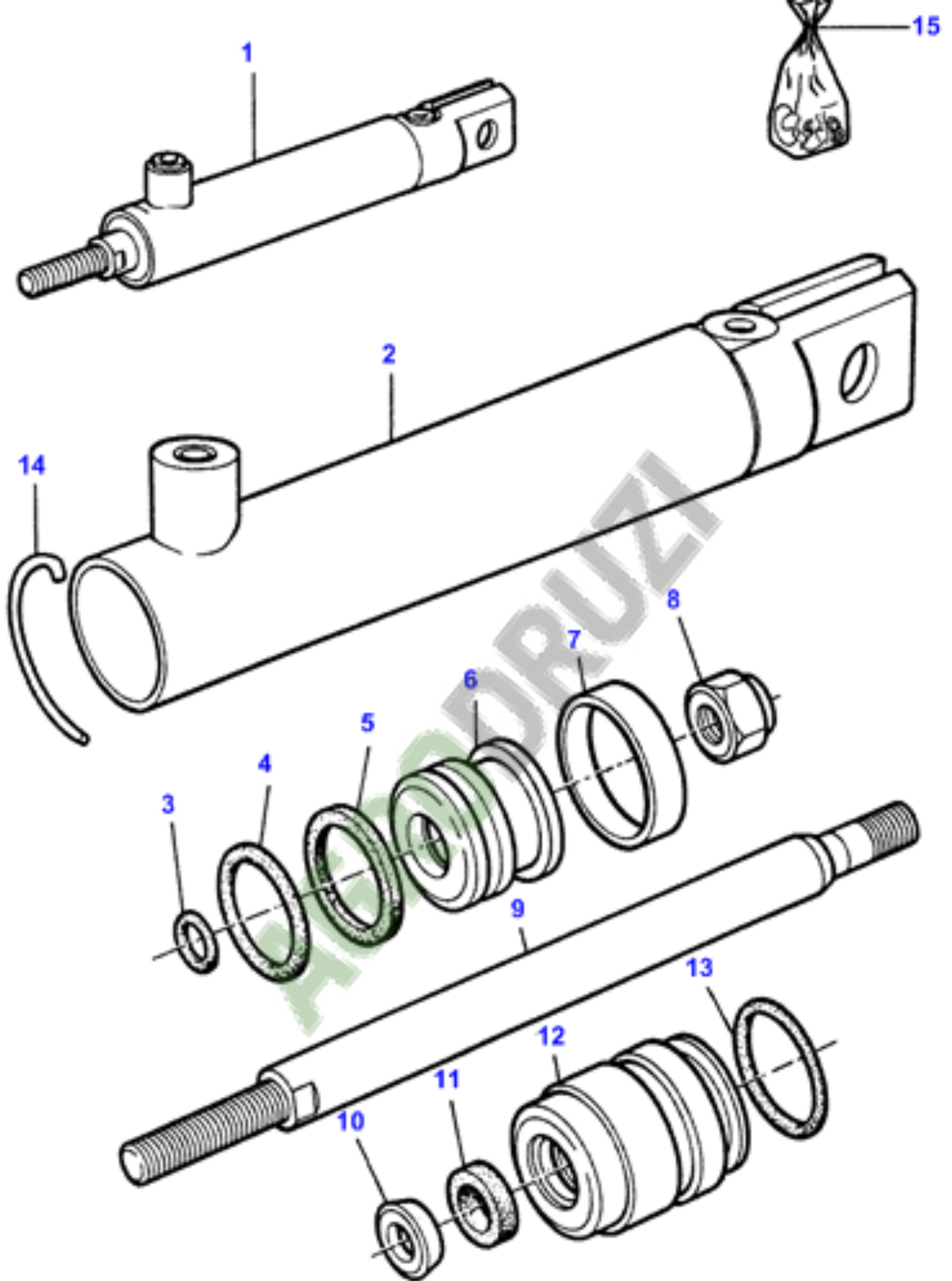
1 - 3120 - 002



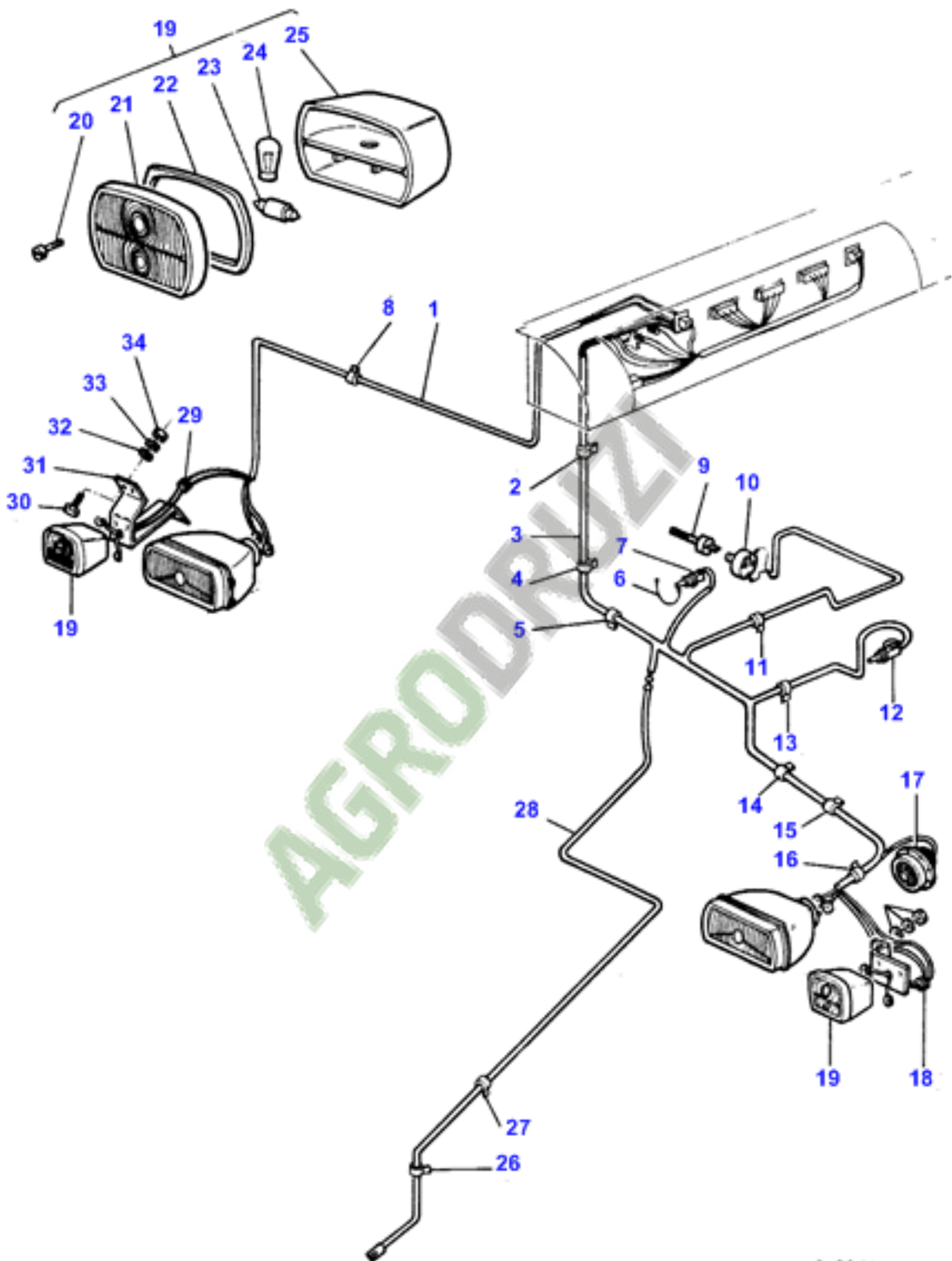
1-3125-006



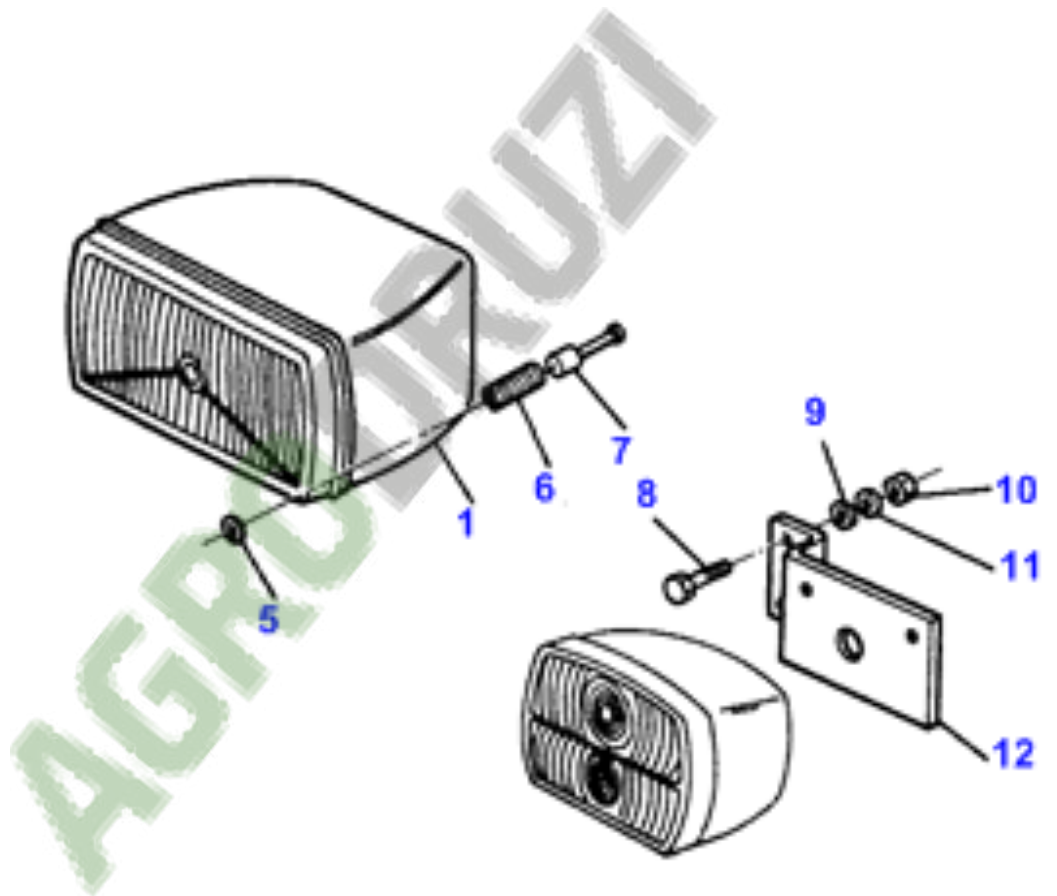
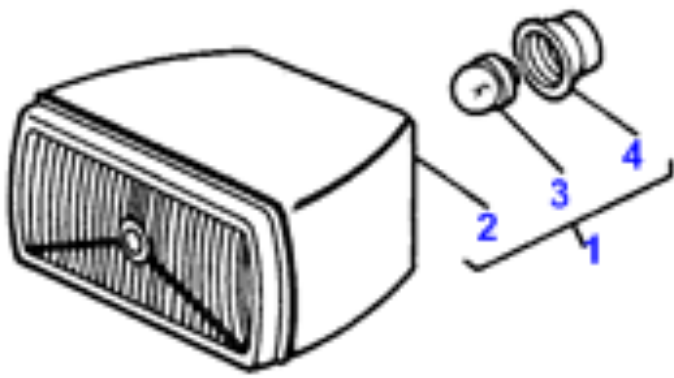
1- 3125-007



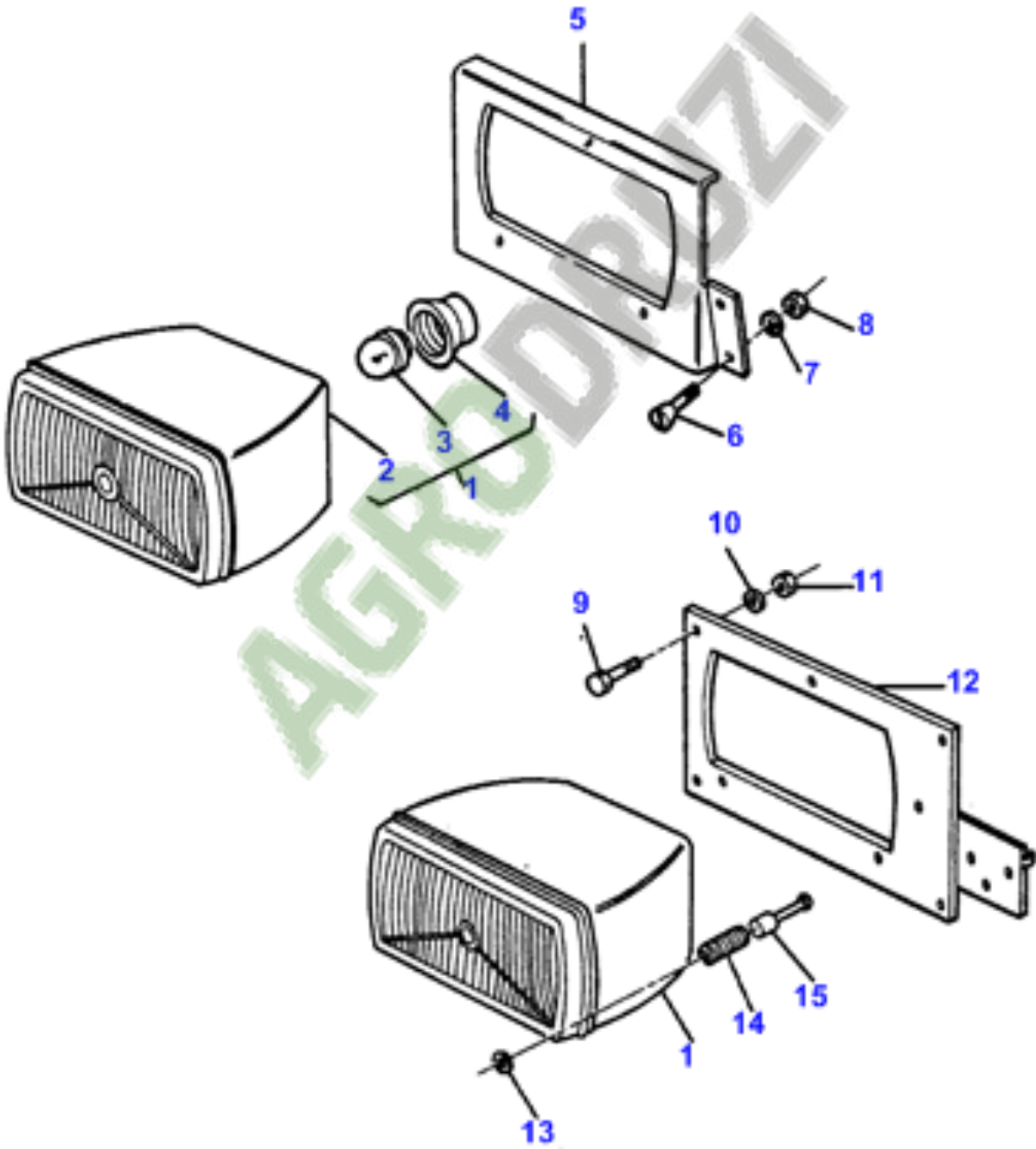
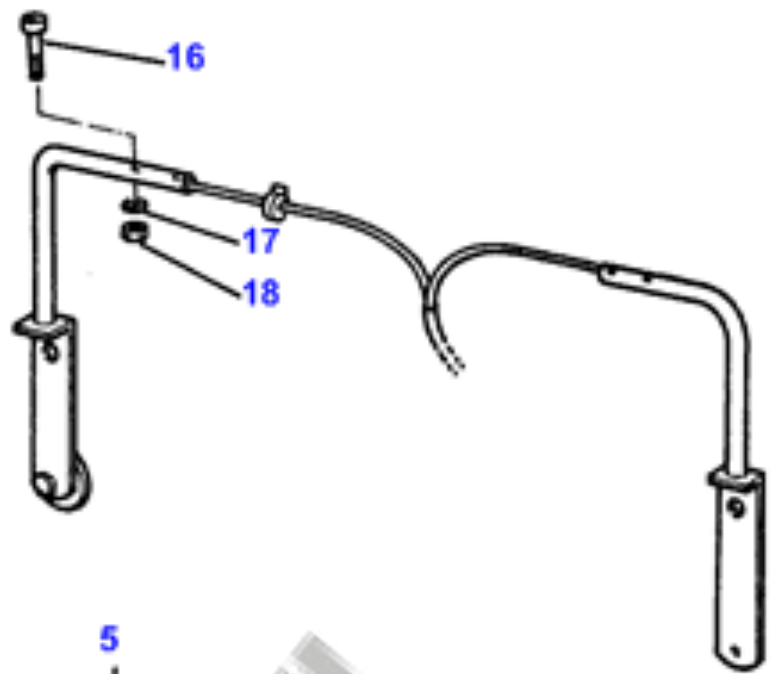
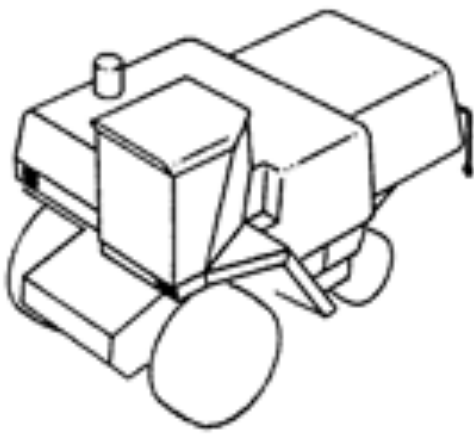
1 - 2635 - 001



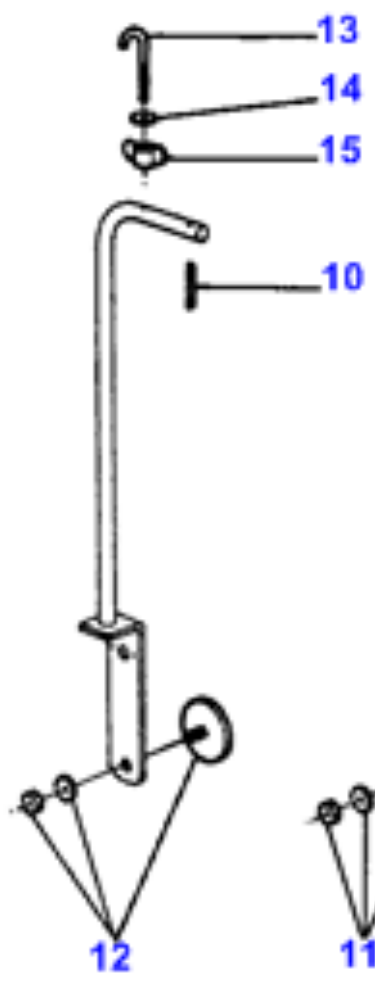
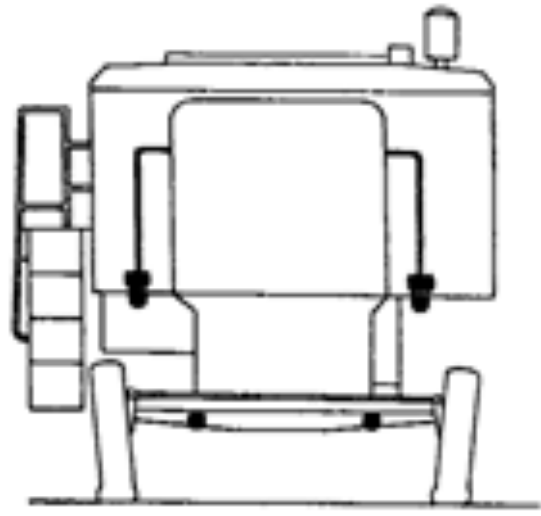
1-3250-032



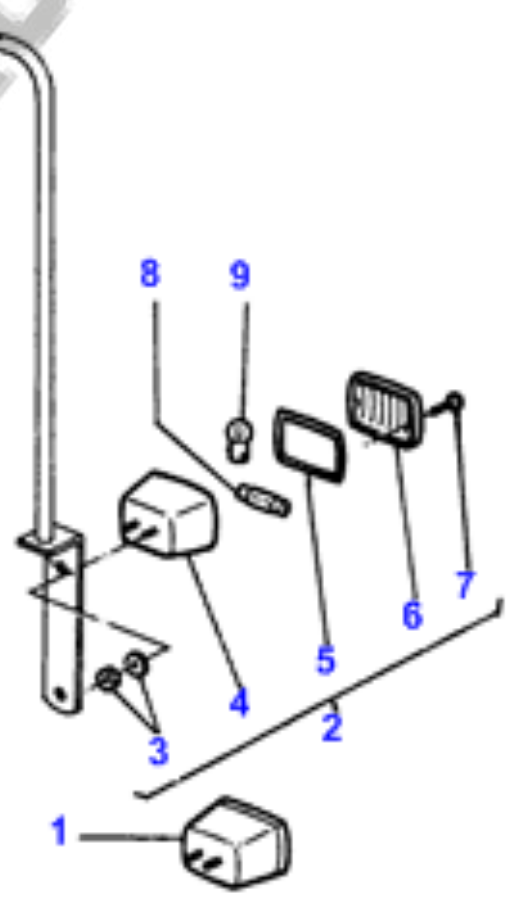
1- 3250-025



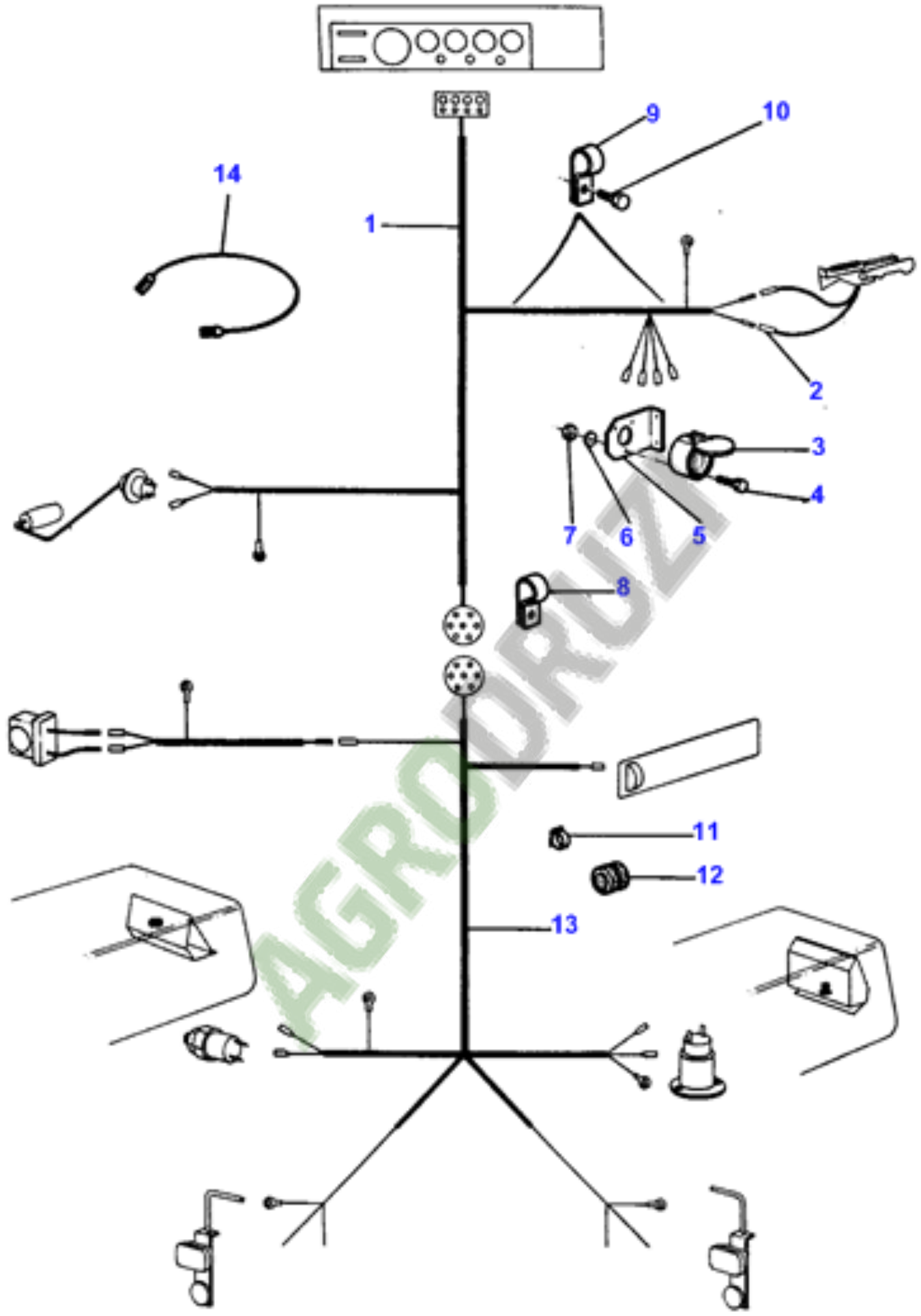
1-3250-035



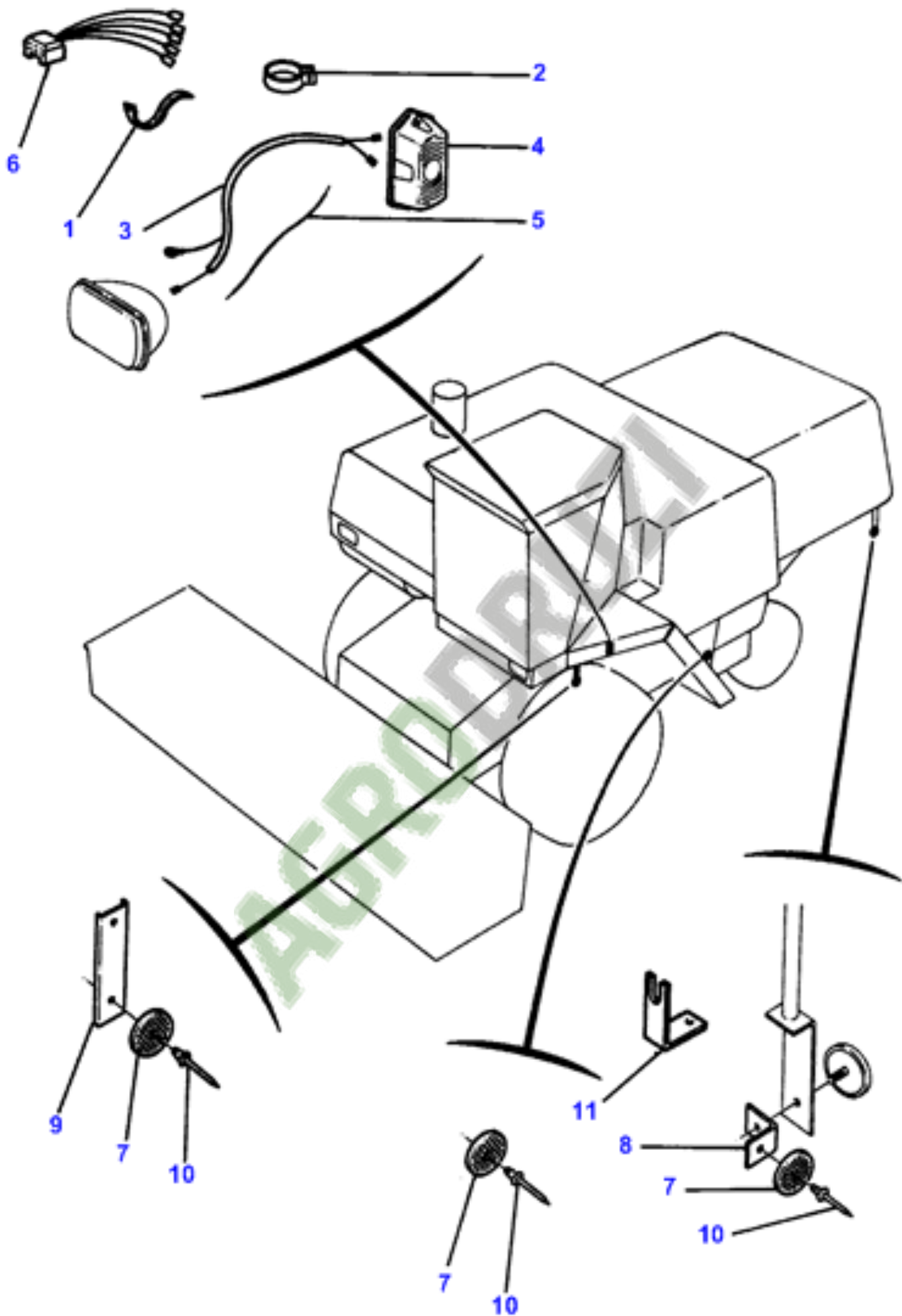
AGRODRAZI



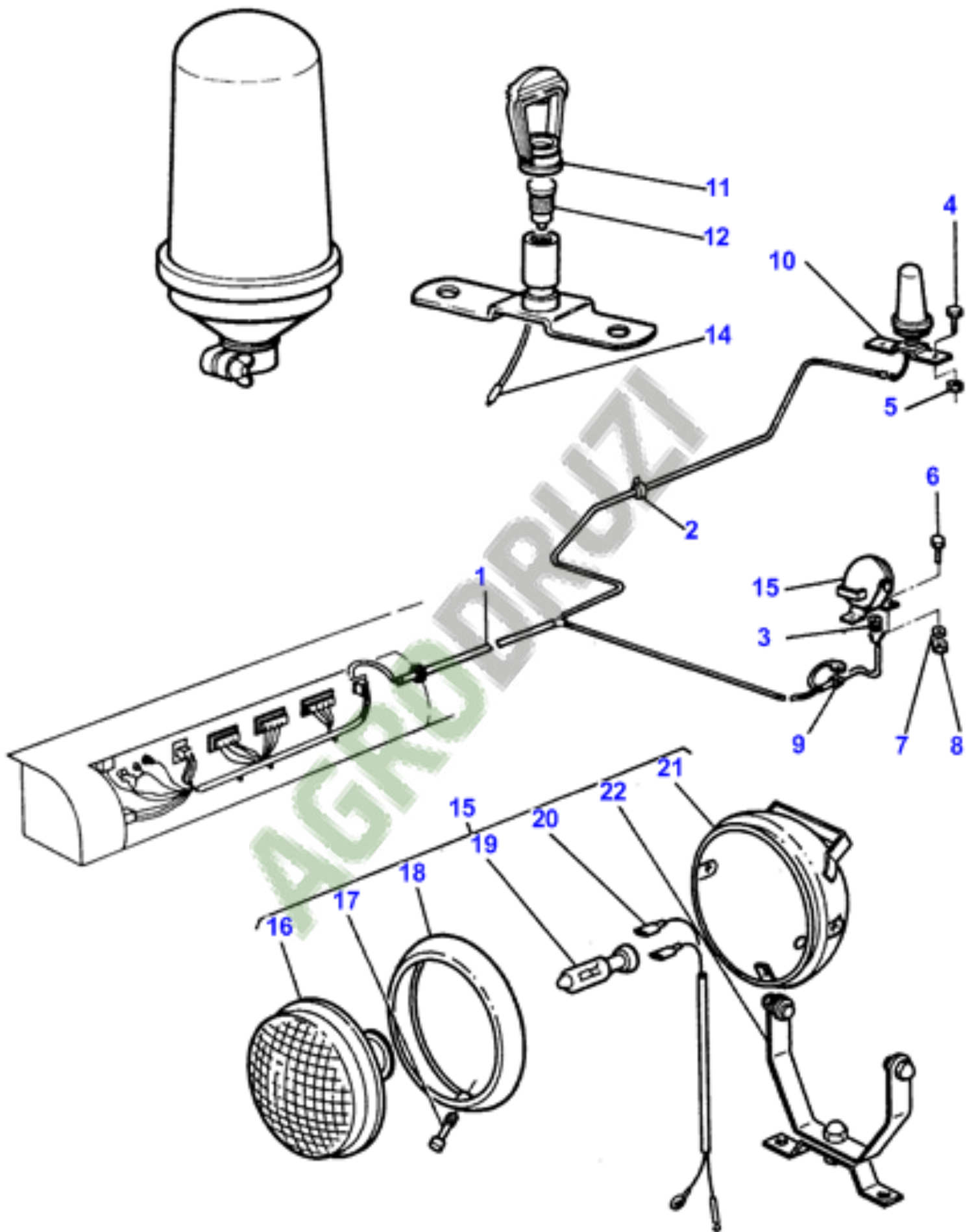
1-3250-030



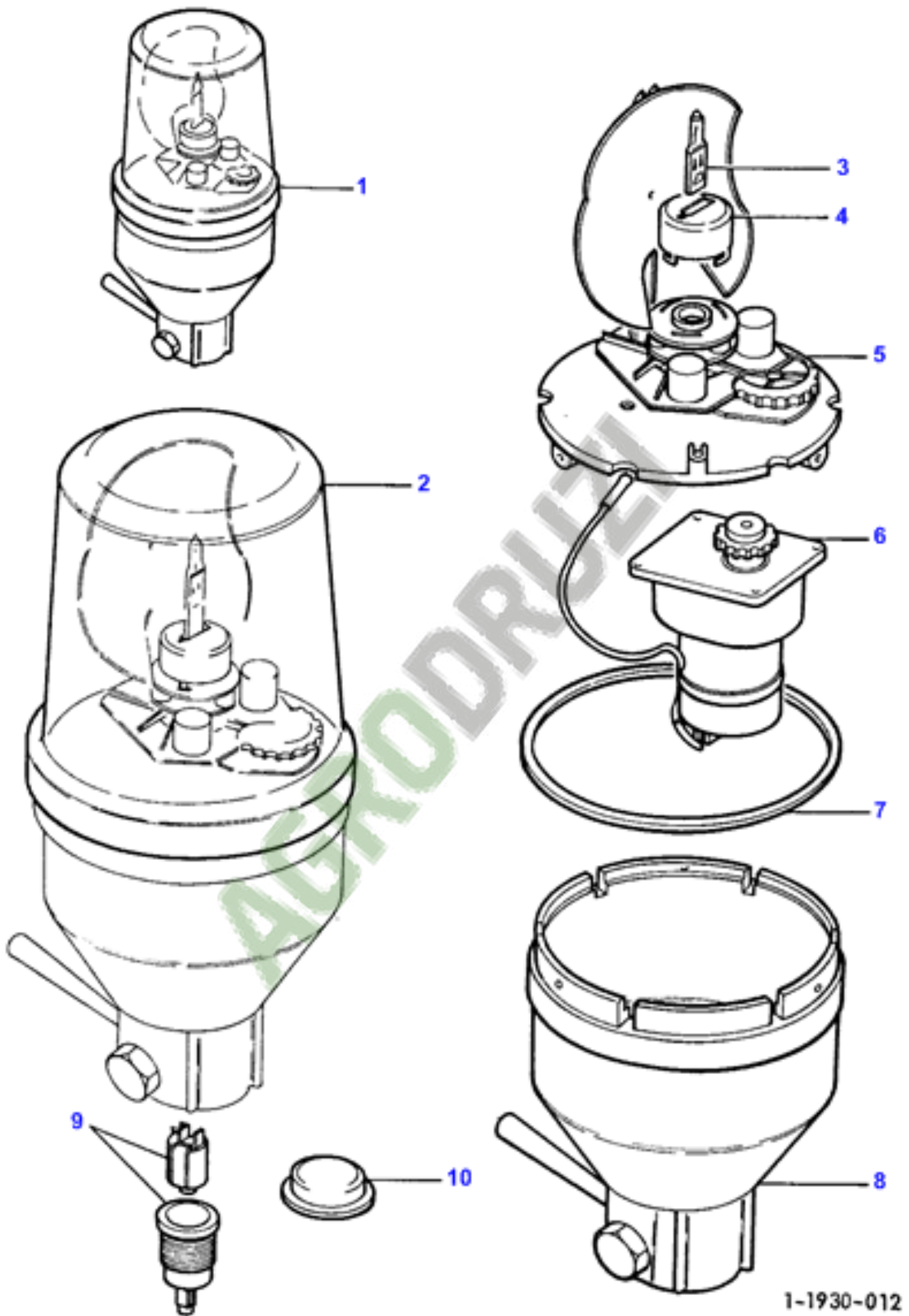
1-3250-031



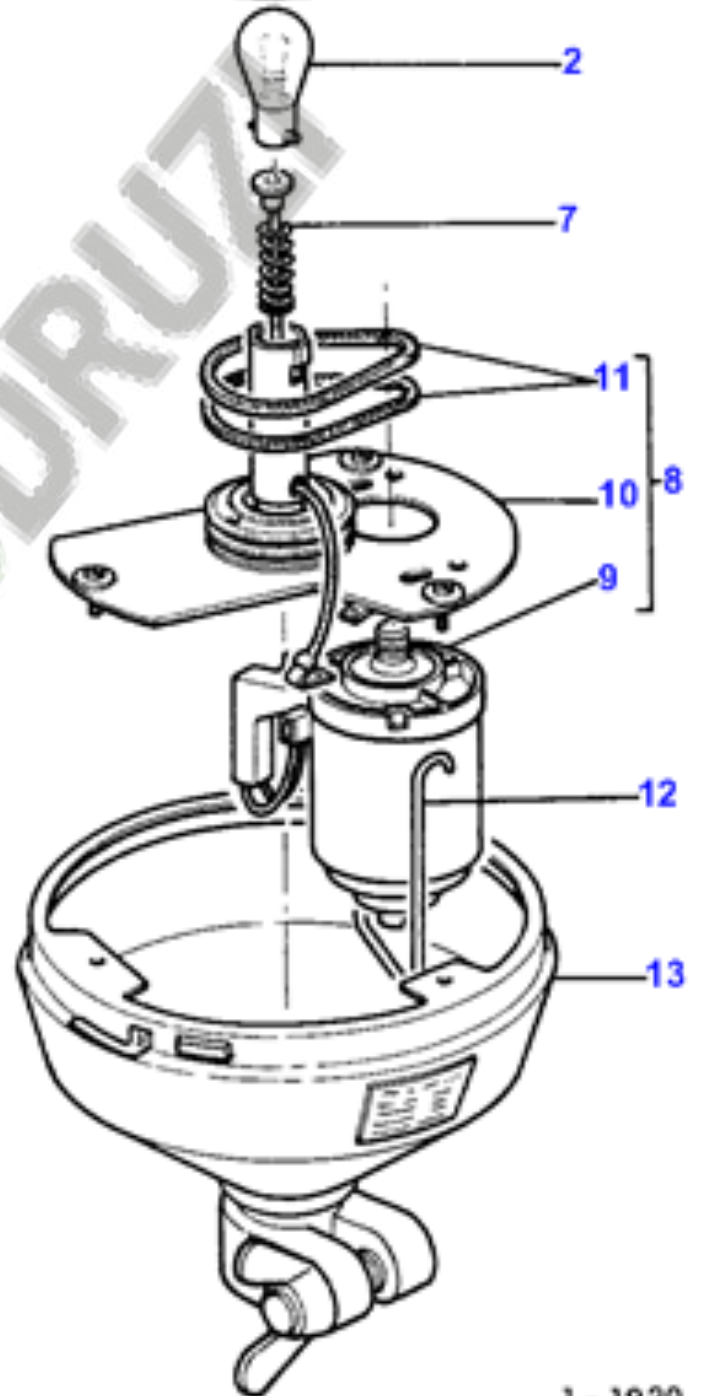
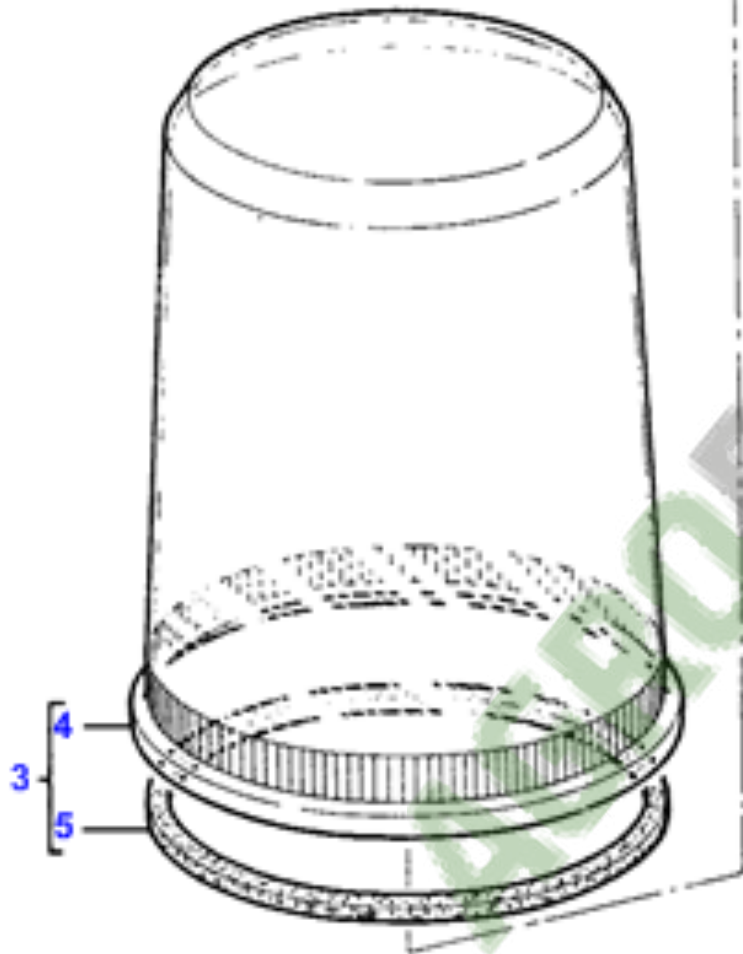
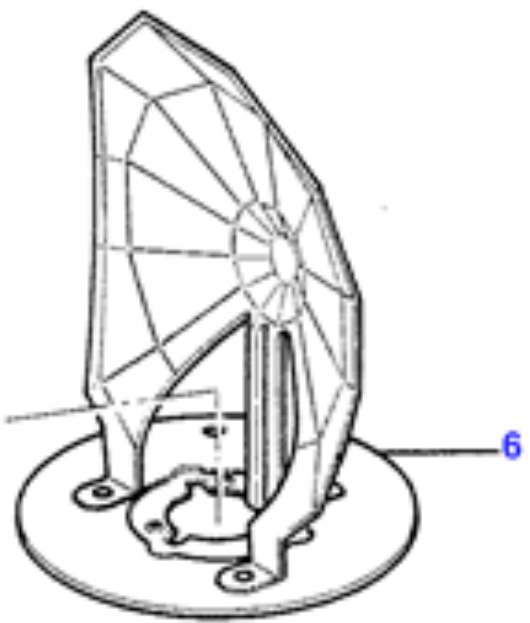
1-3250-037



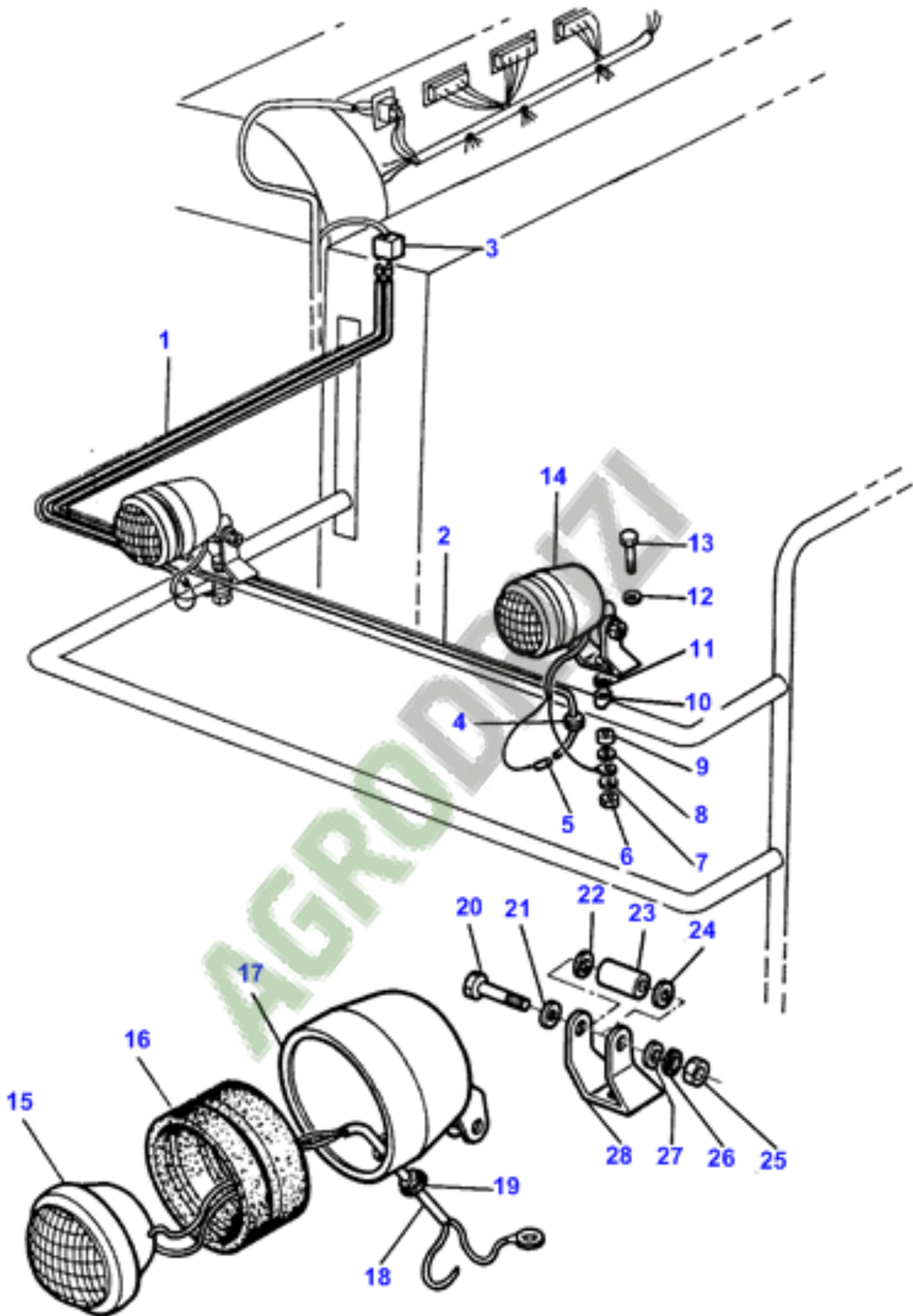
1-3250-036



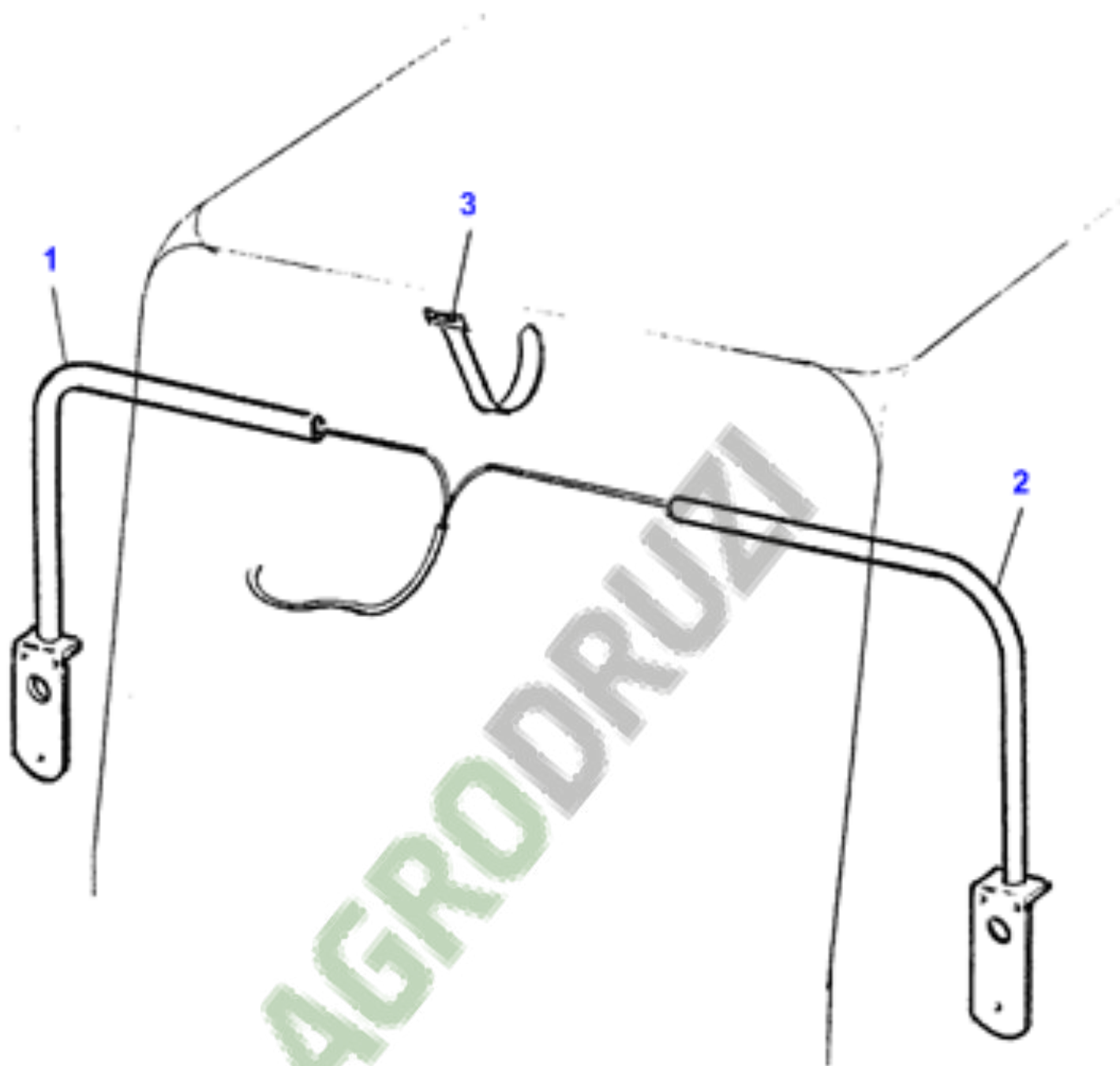
1-1930-012



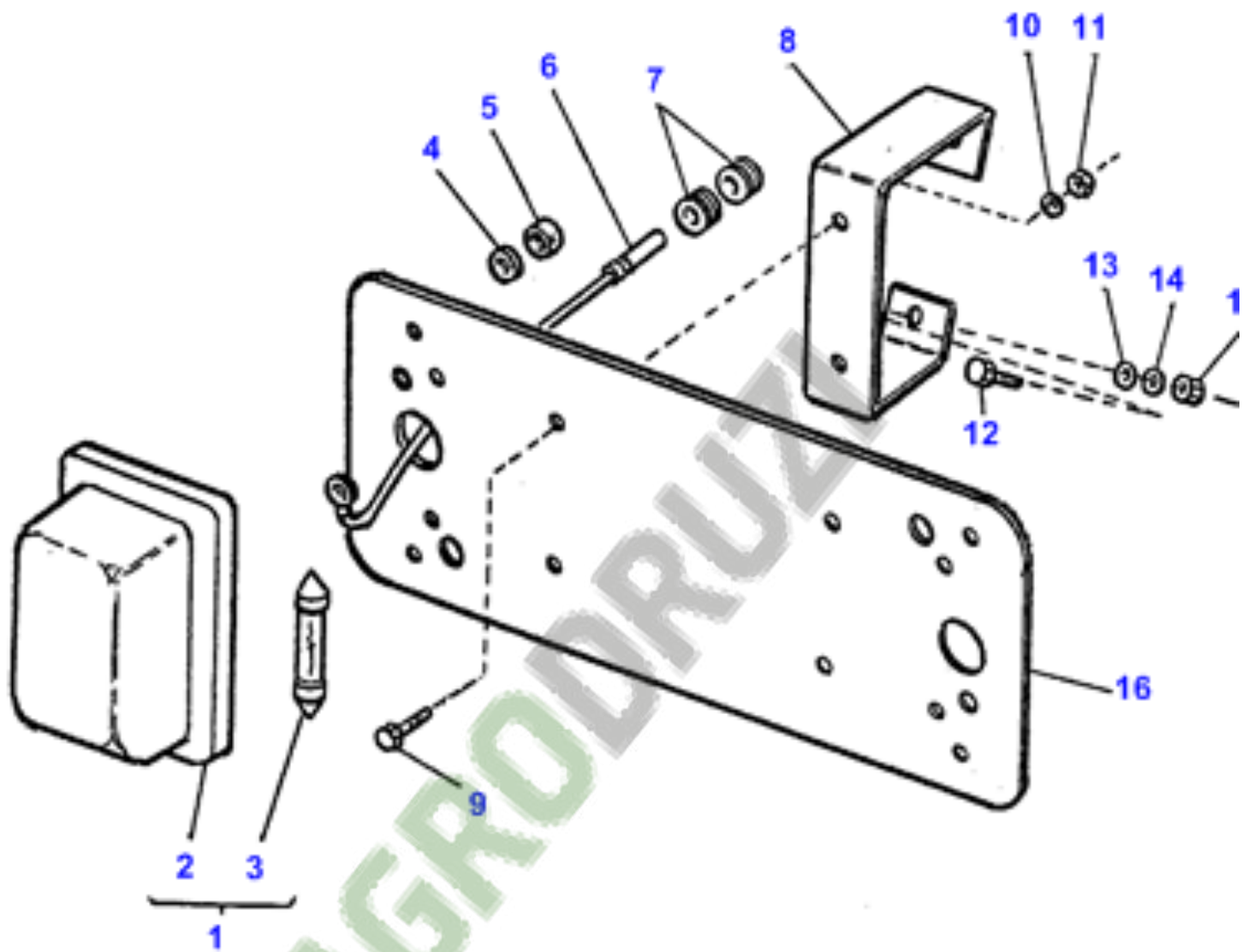
1-1930-006



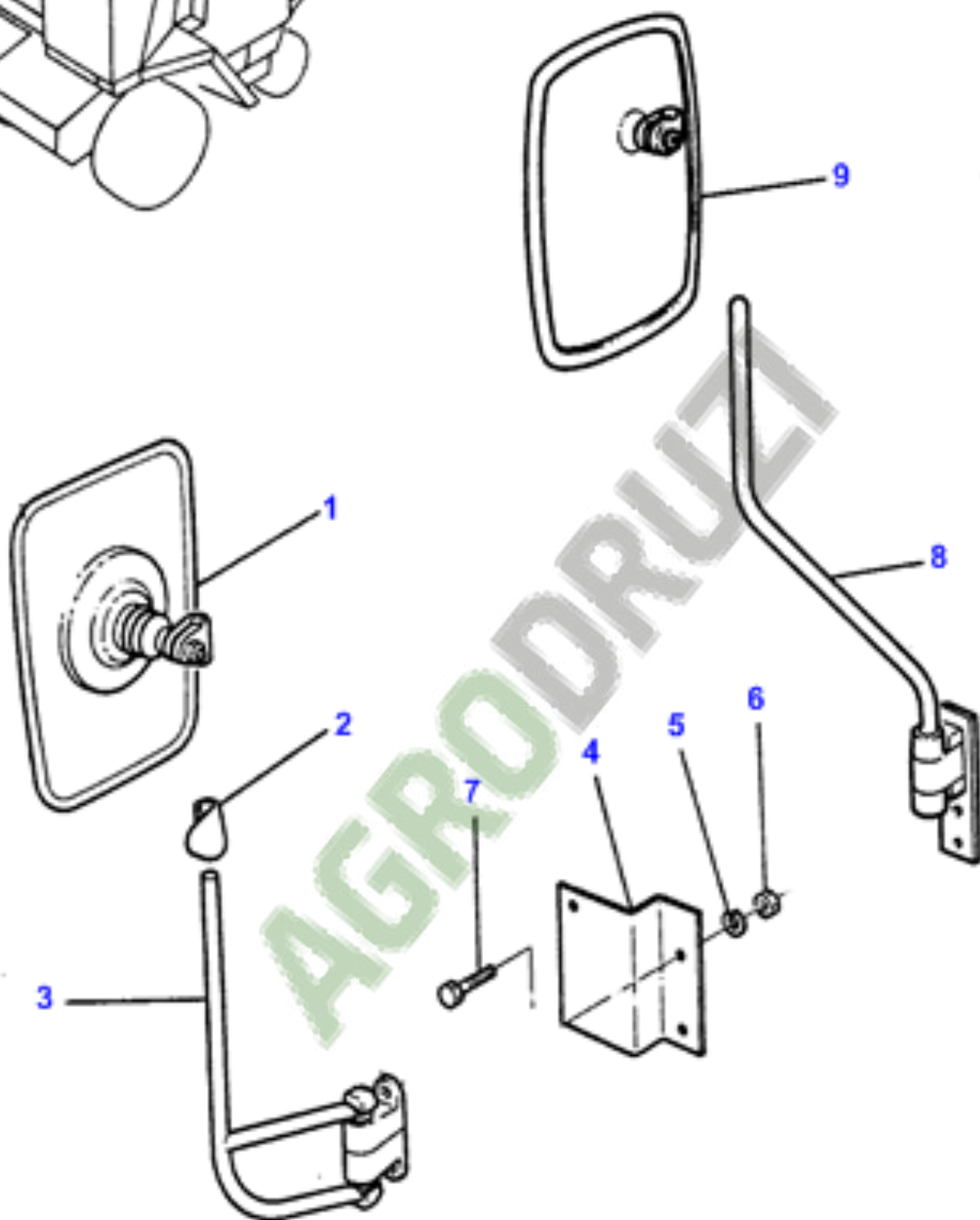
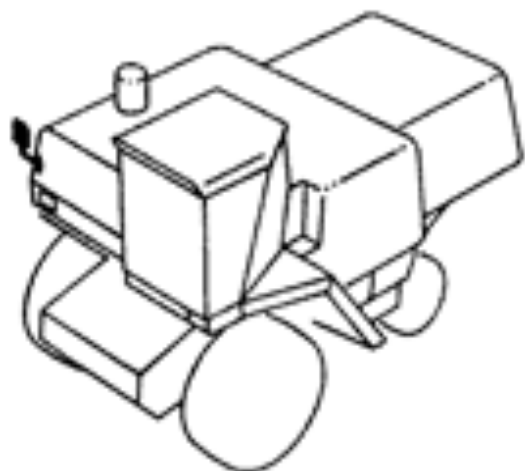
1-3250-007



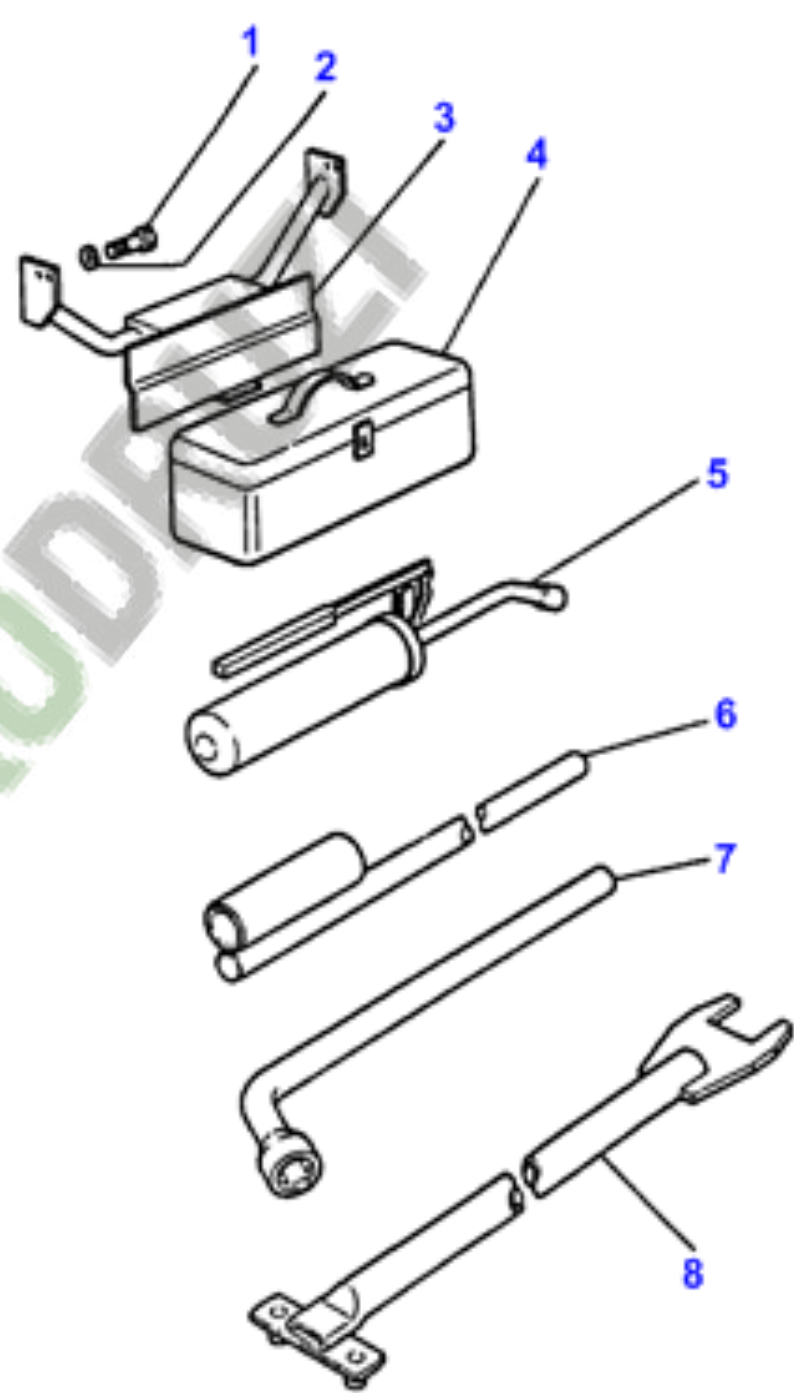
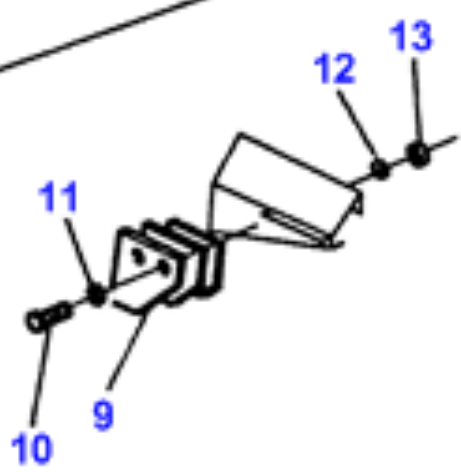
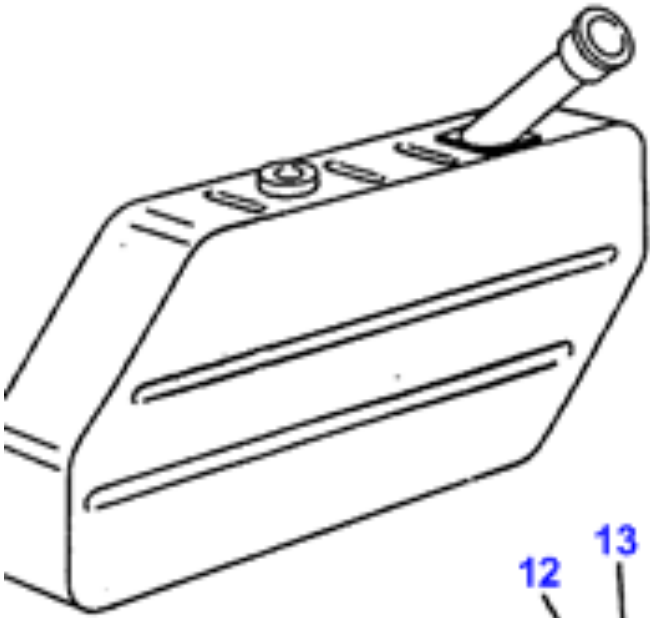
1 - 3250 - 033



1-3250-034

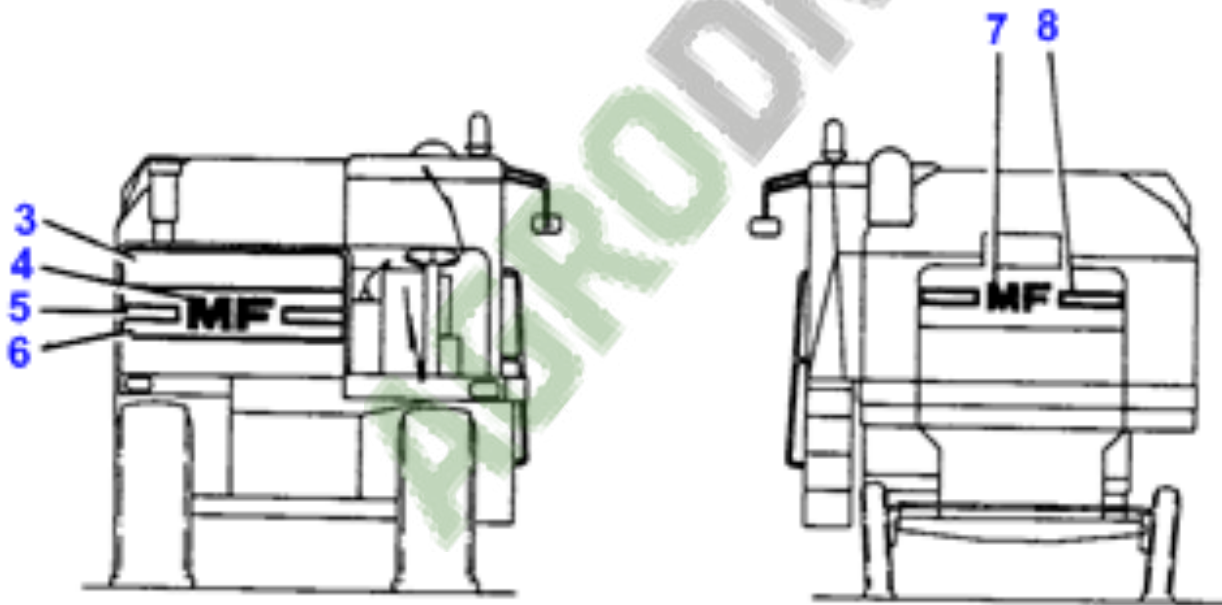
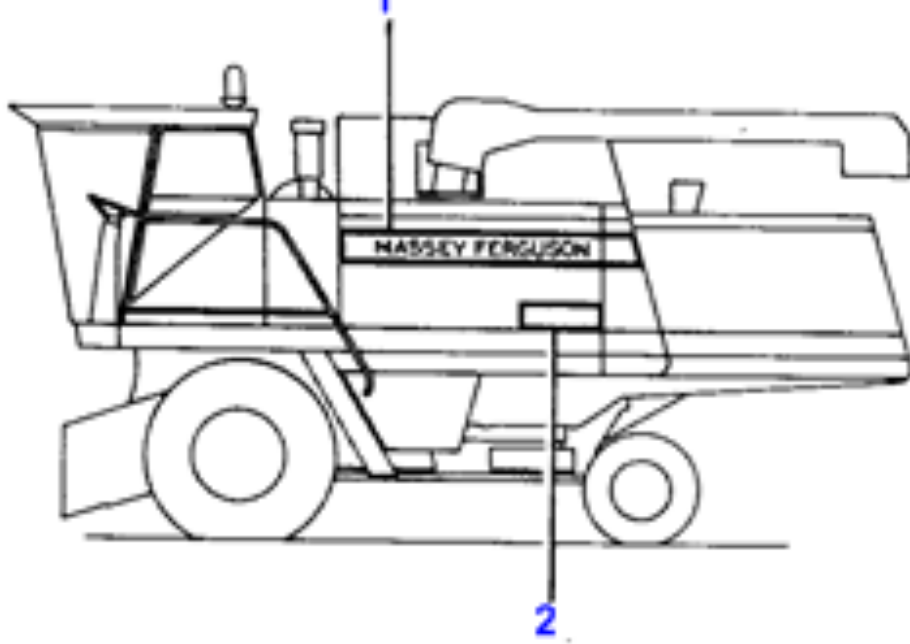


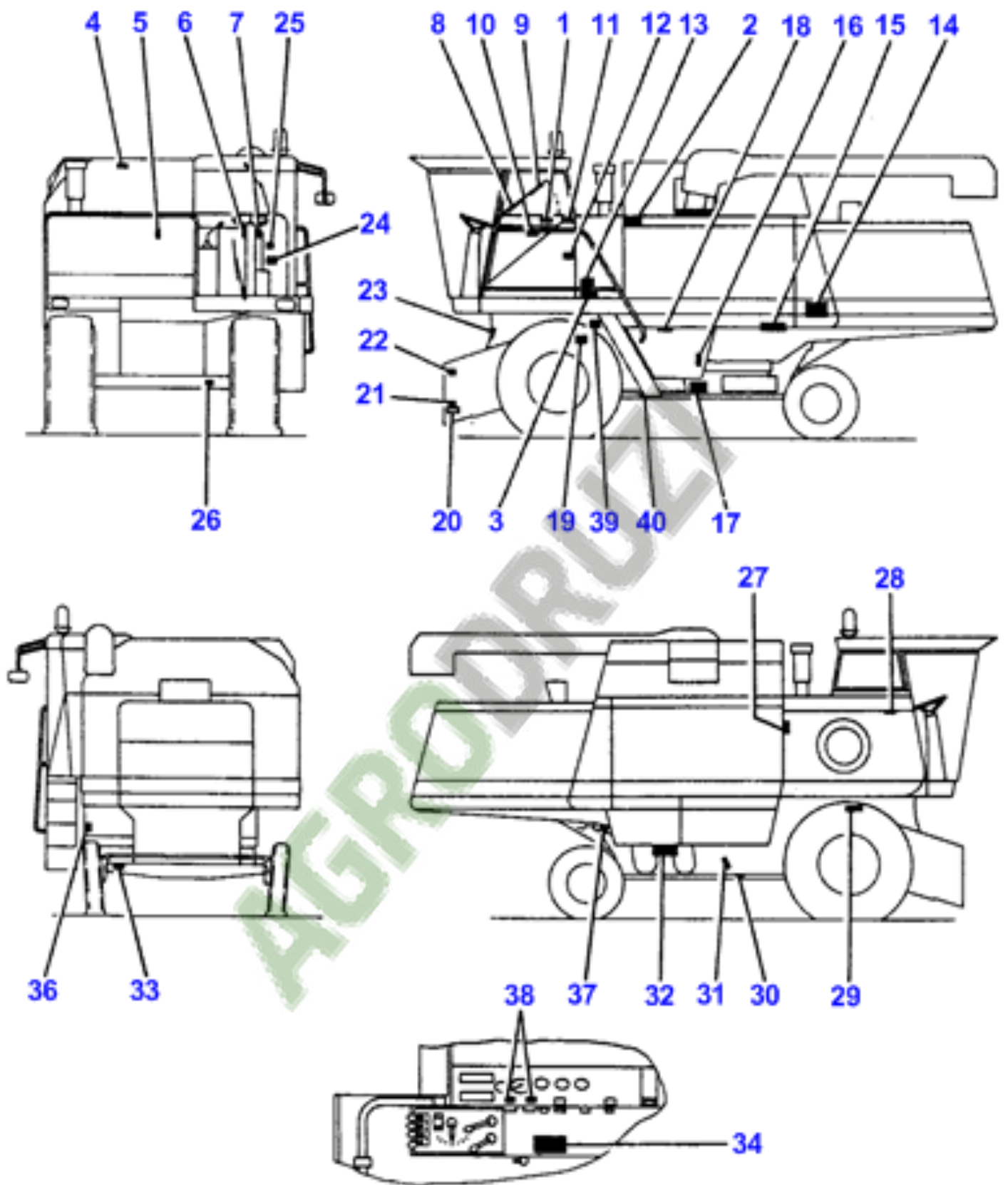
1-1871-001

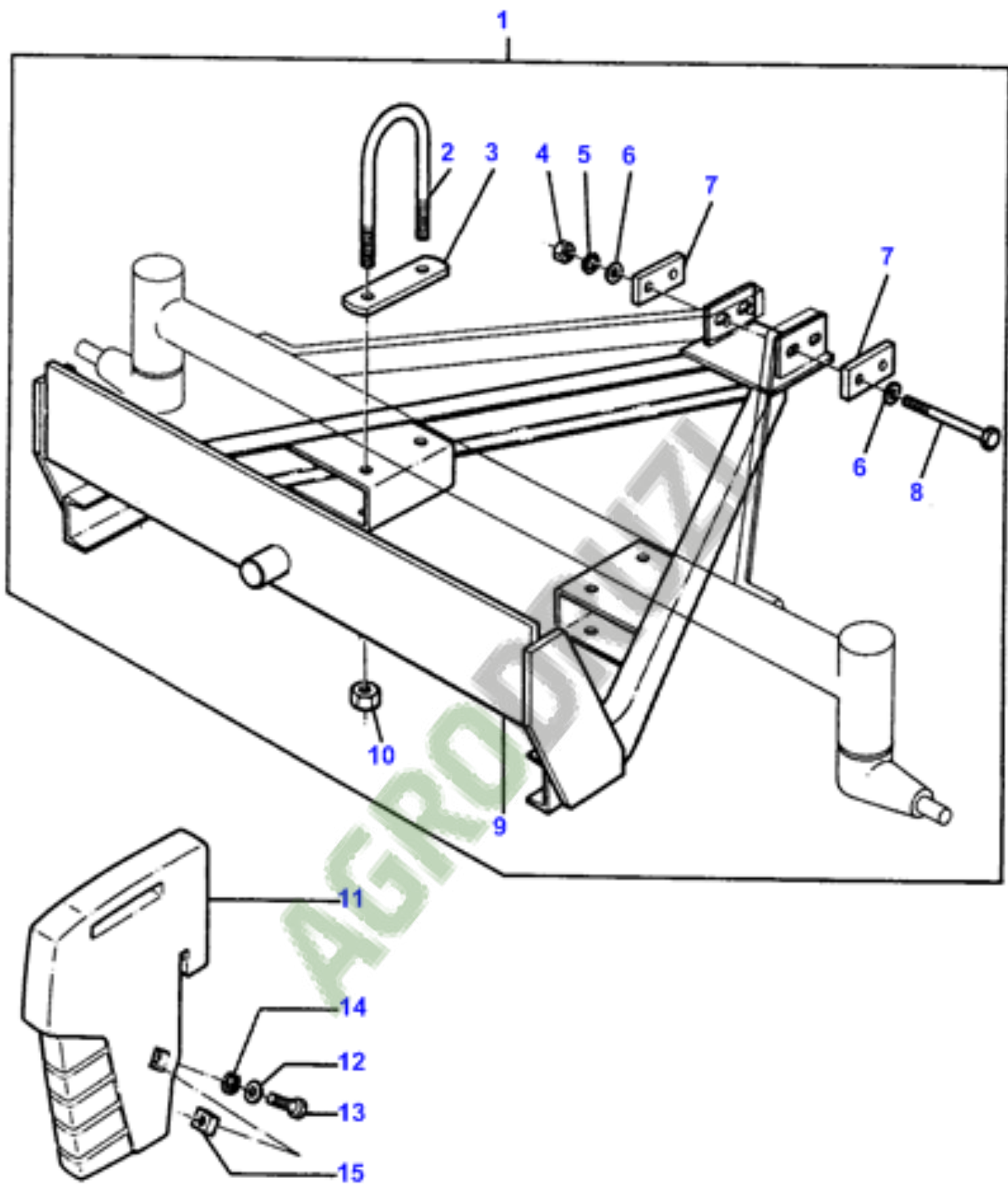


AGRODIP

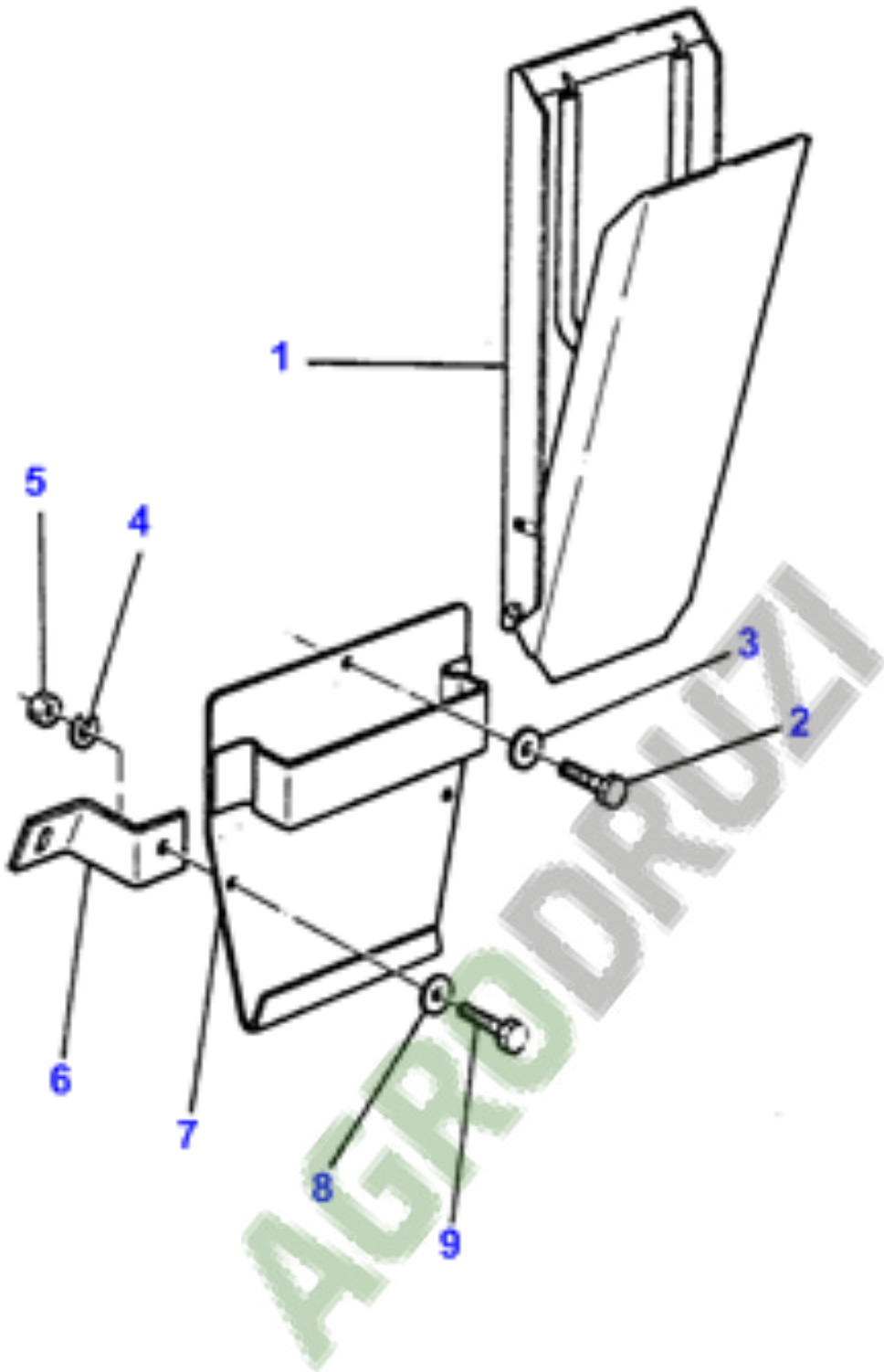
1 - 3300 - 016



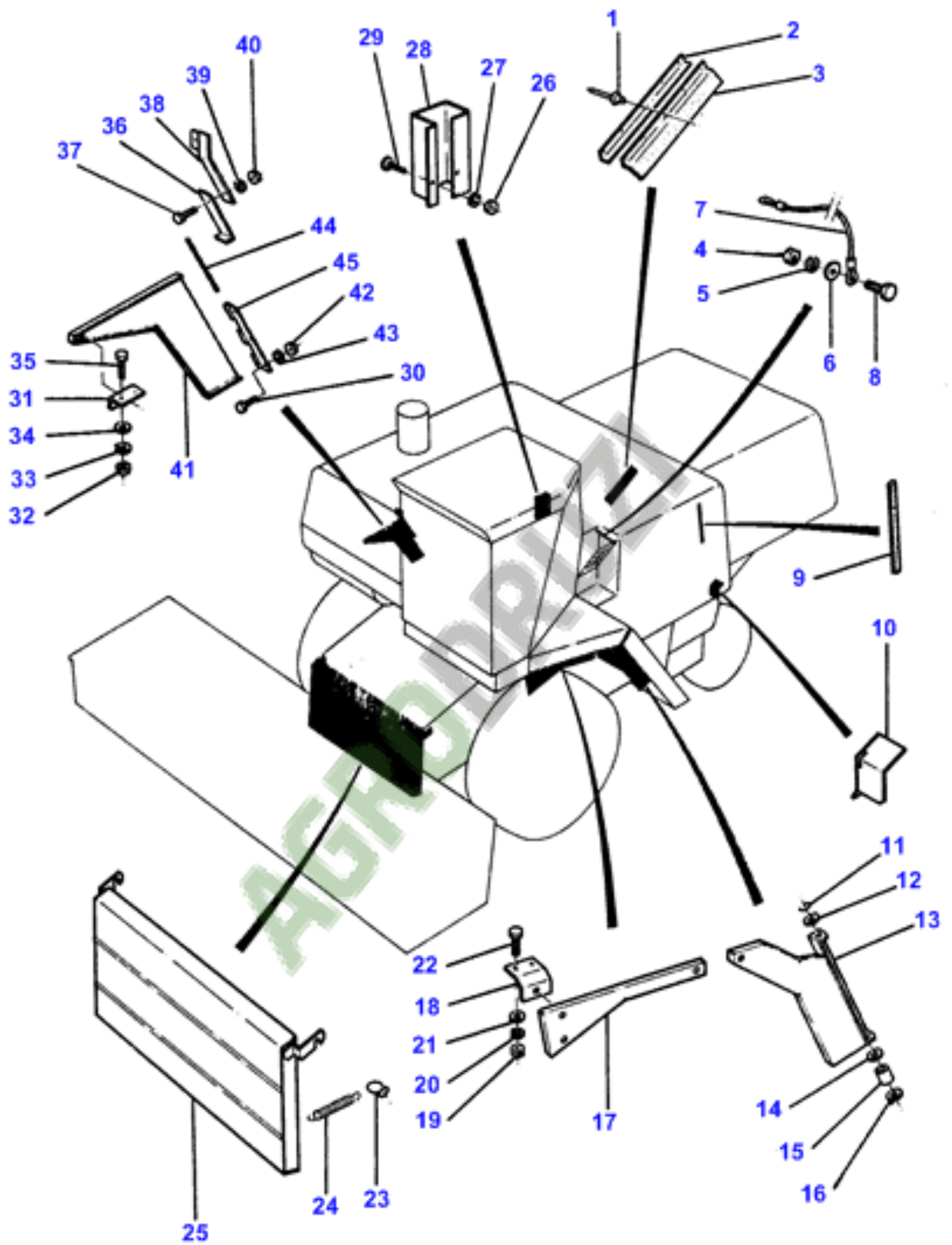




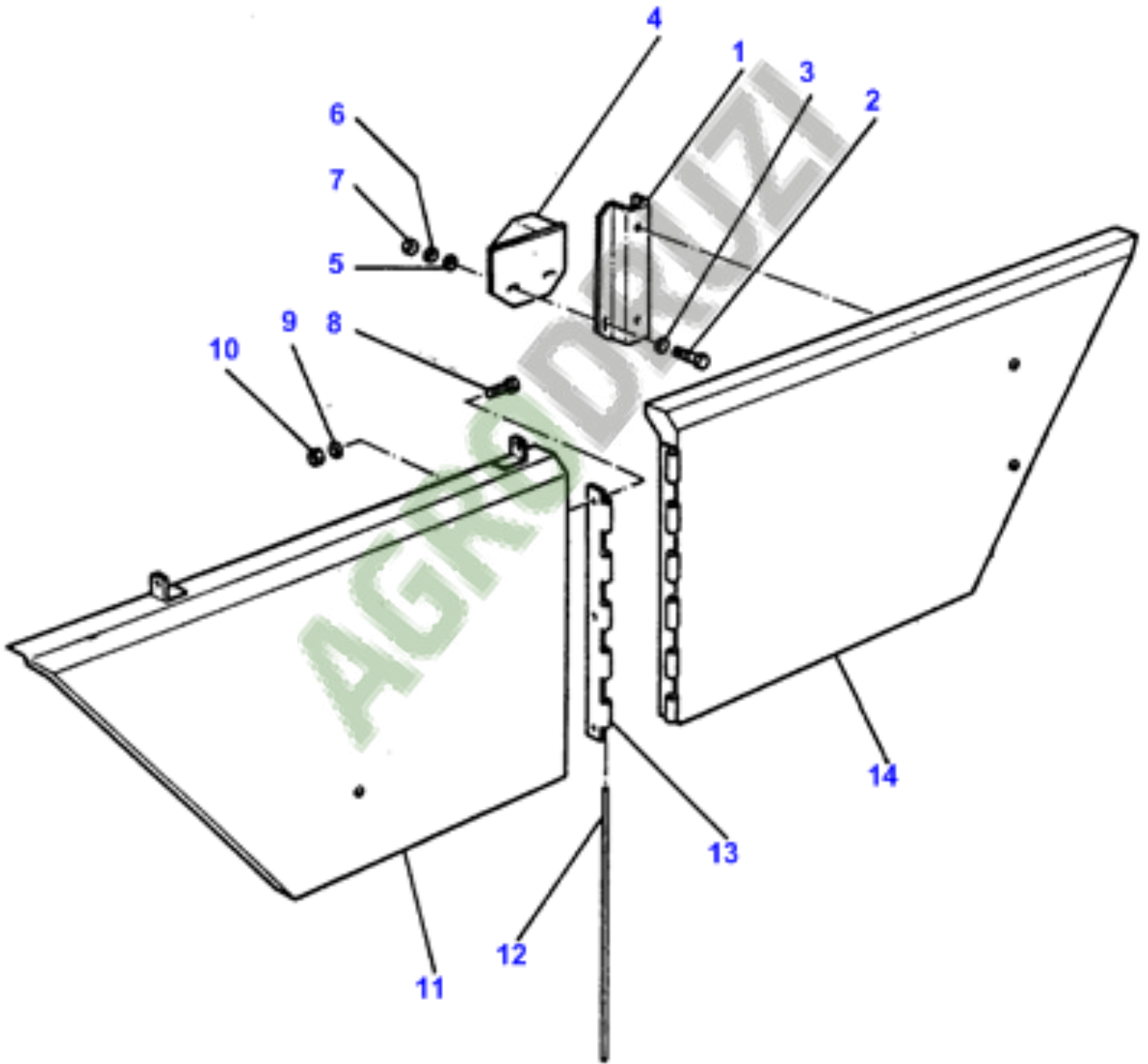
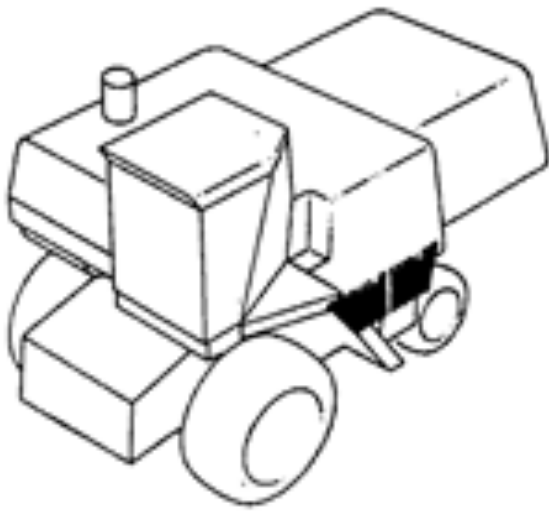
1-3306-001

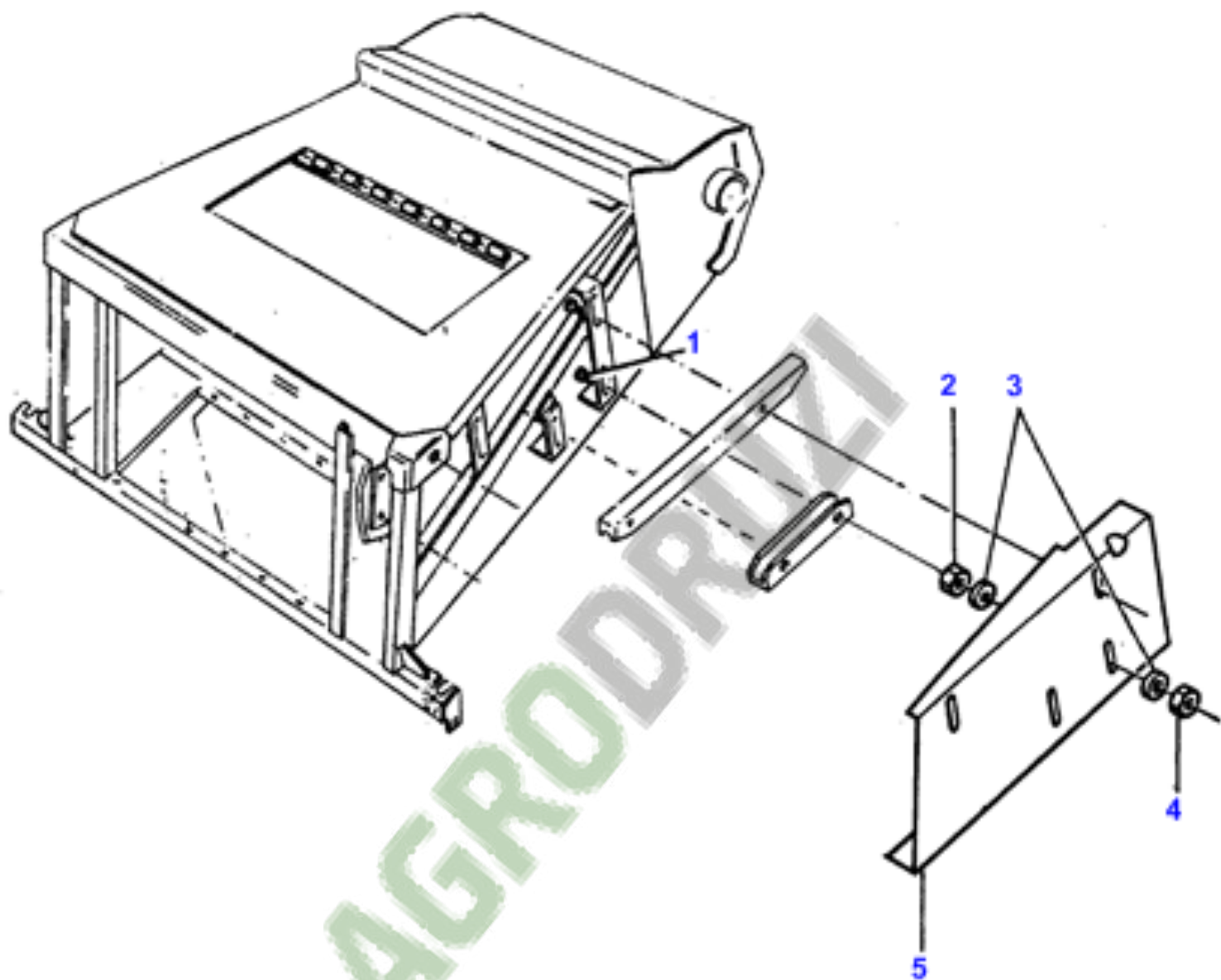


1-2007-001

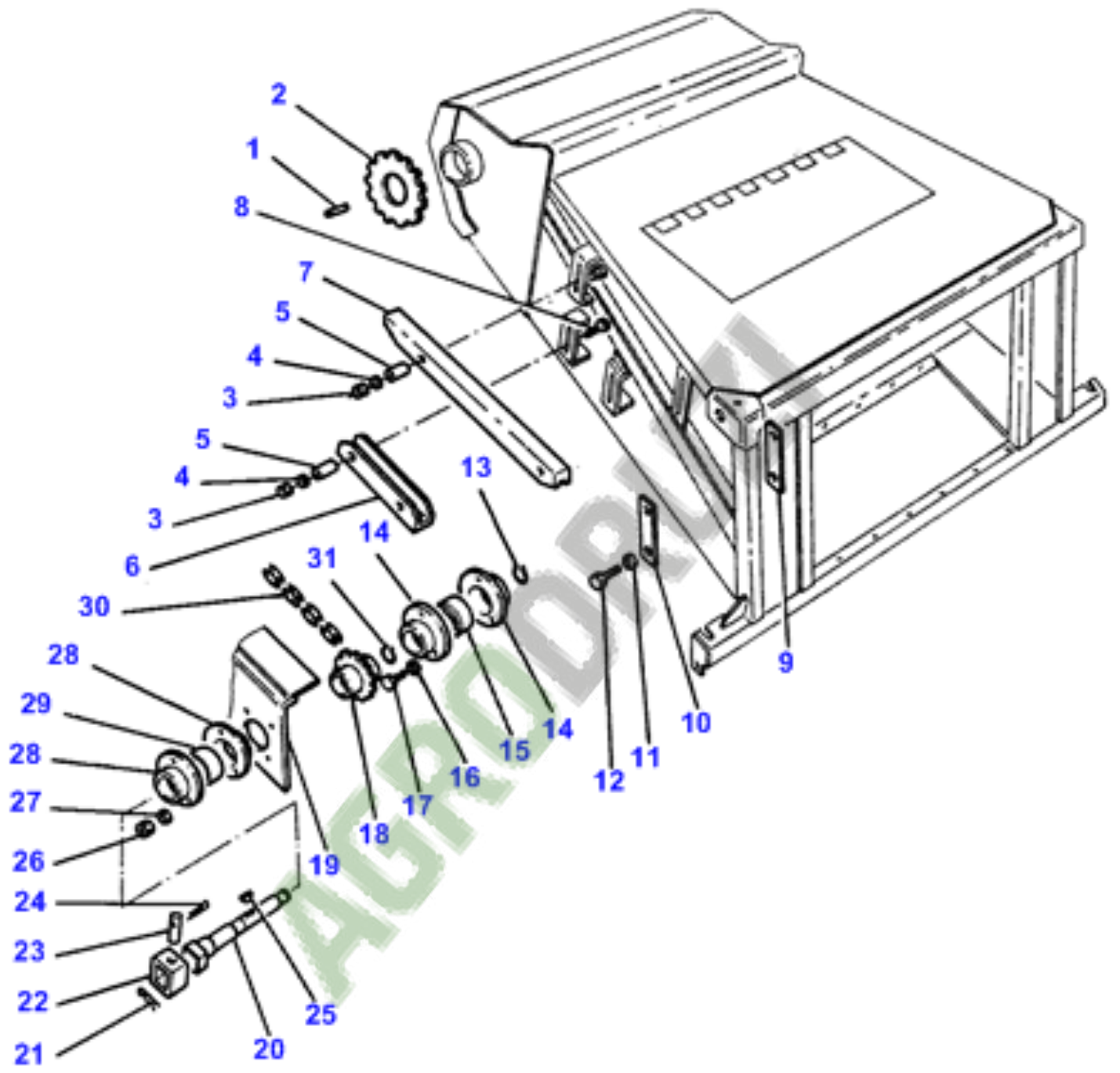


1-3420-004

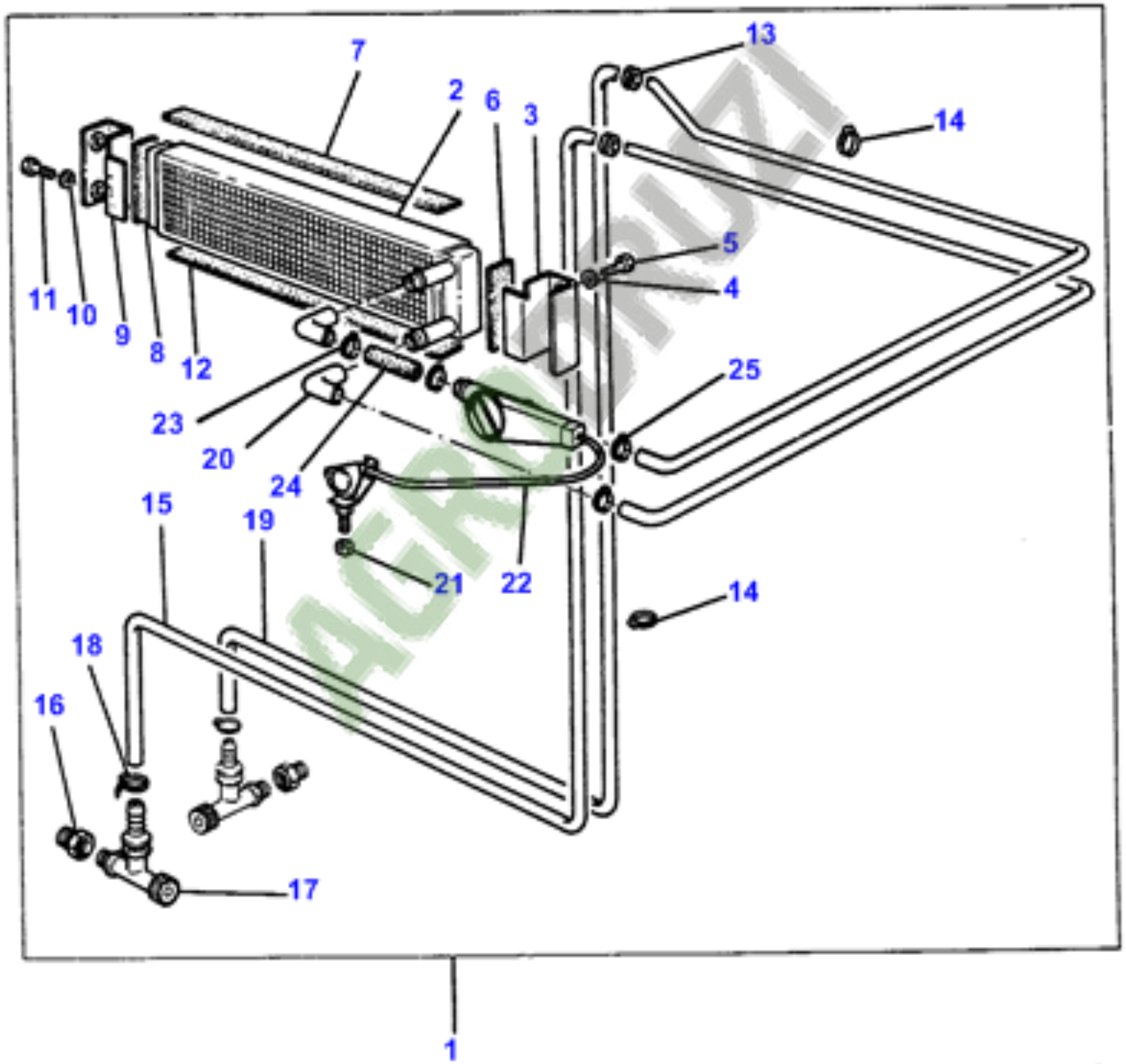
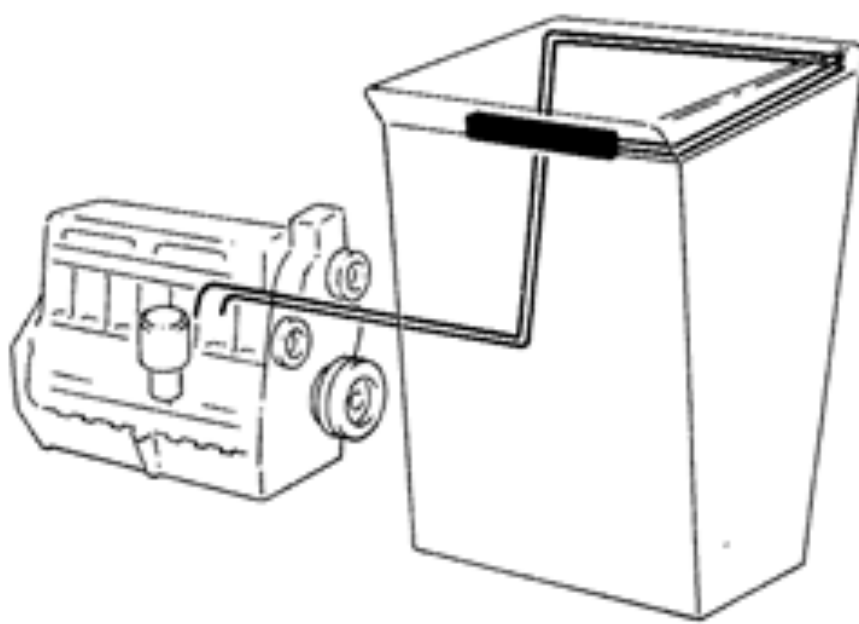




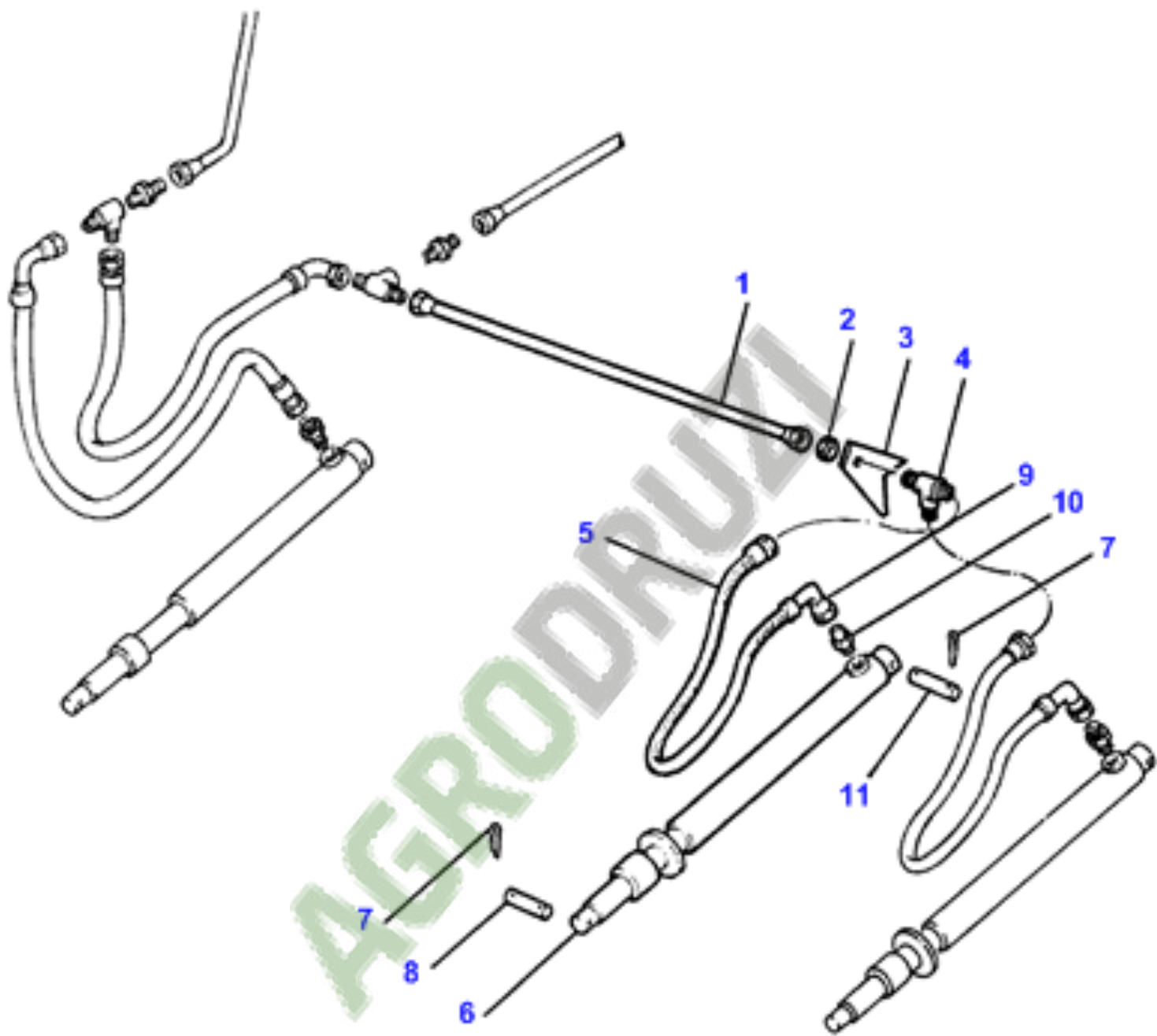
1-3420-009



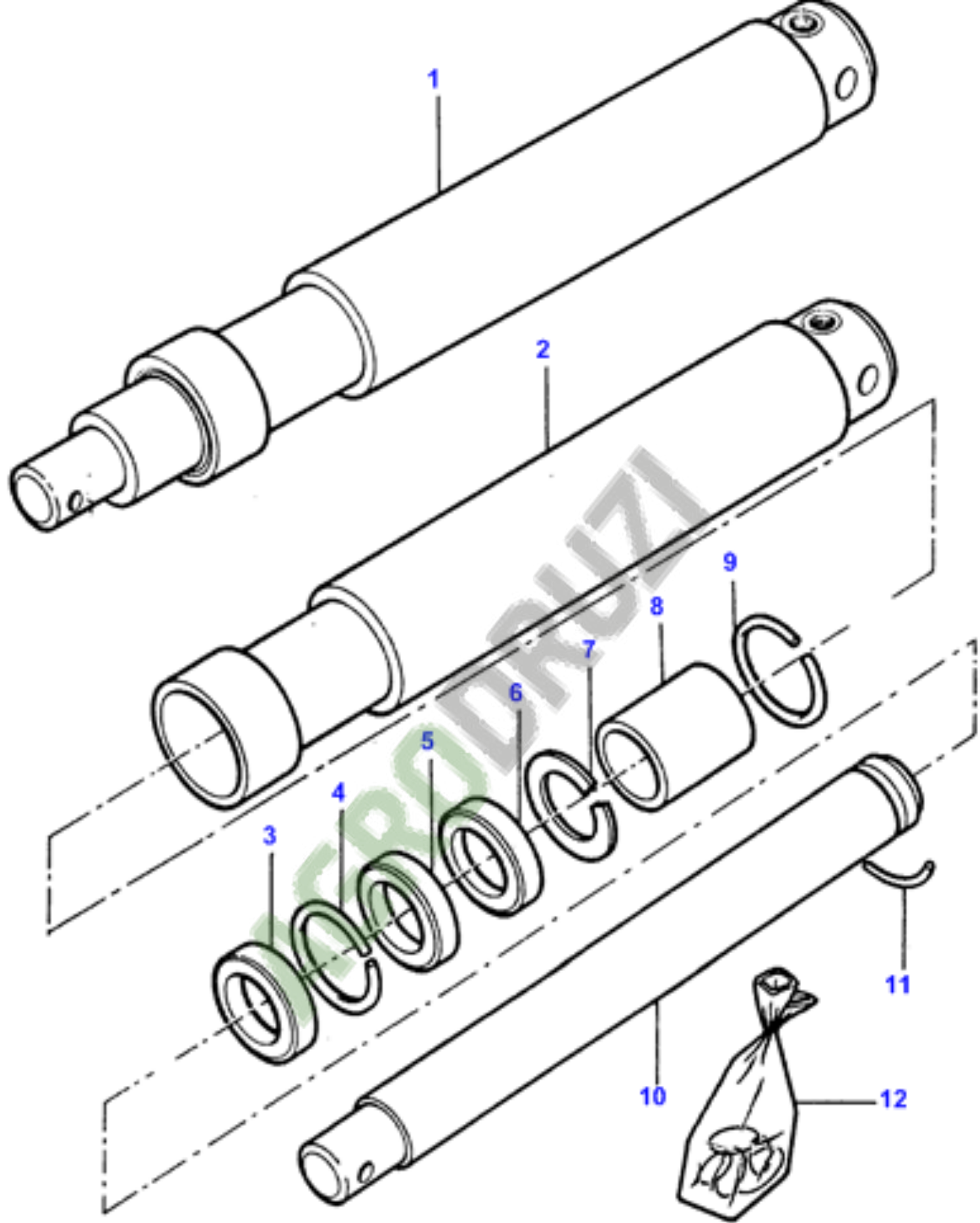
1-3510-001



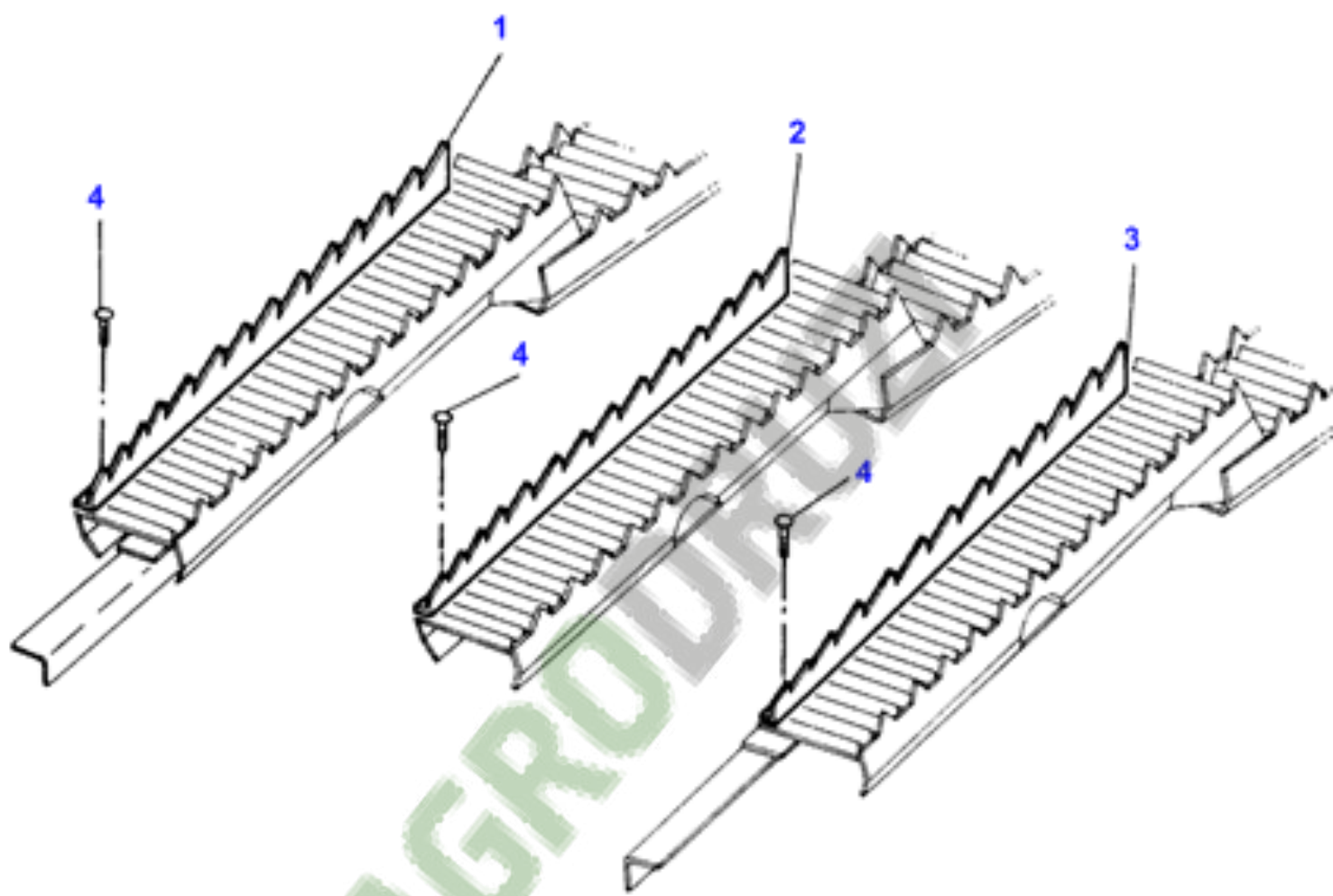
1-3500-001



1-3055-035

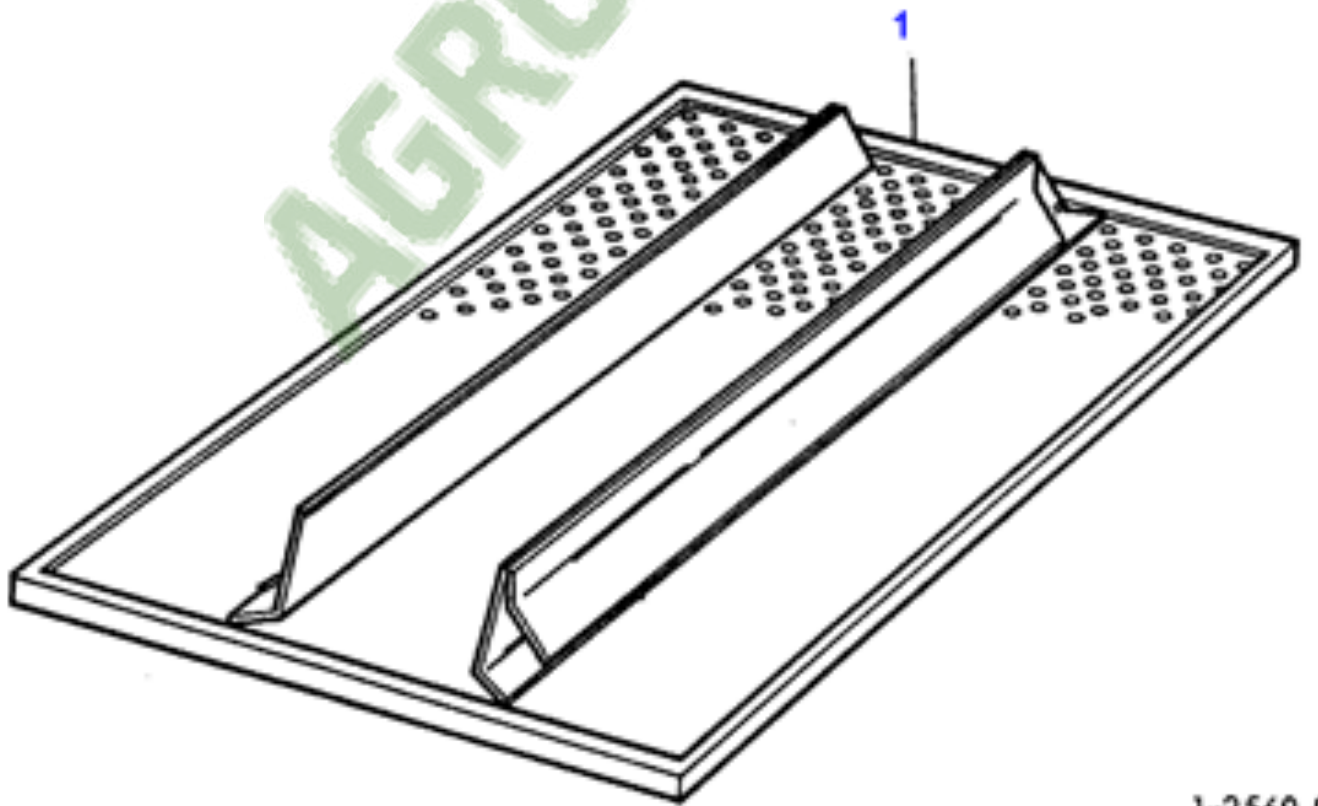
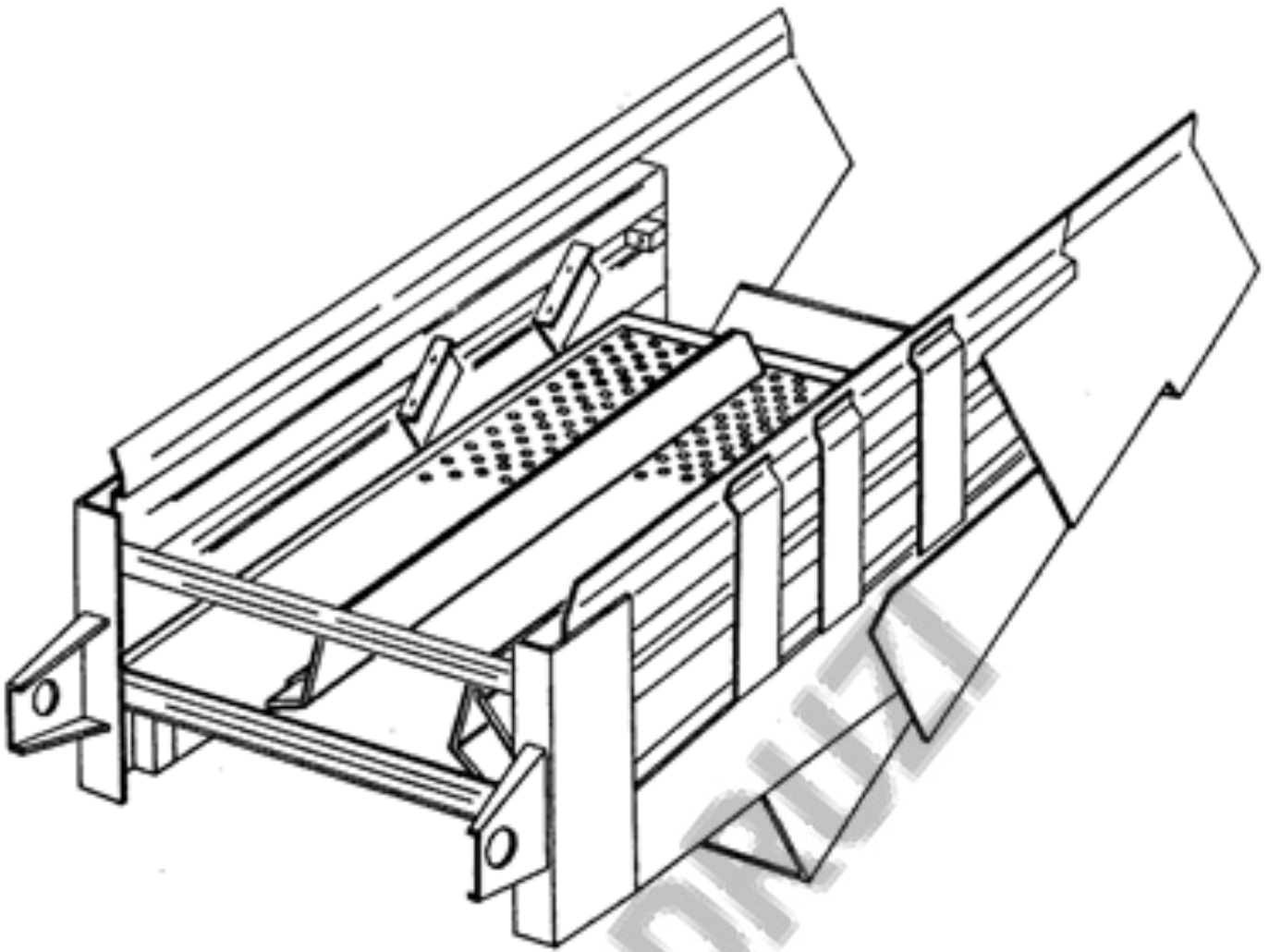


1-3125-006

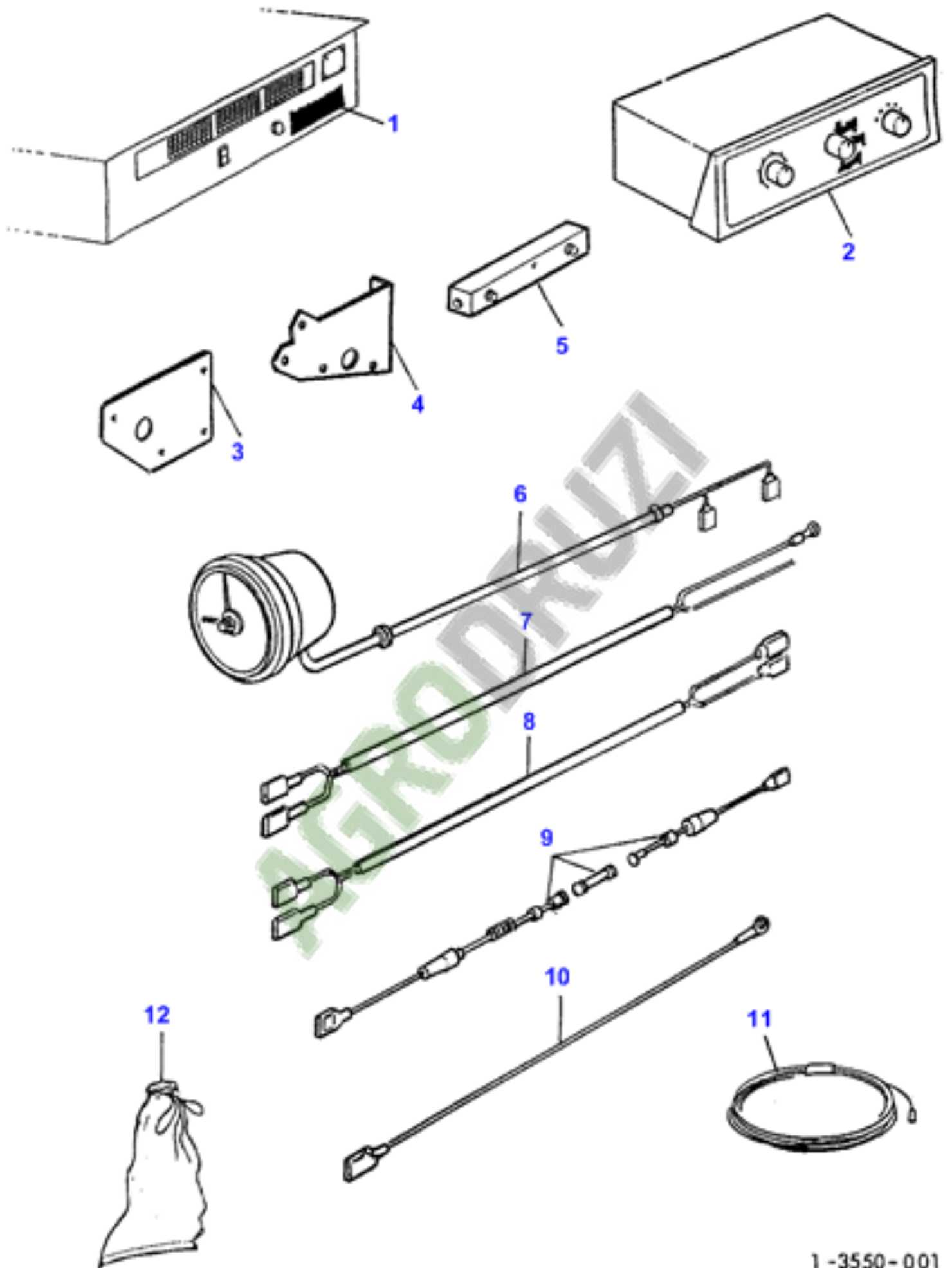


AGRO

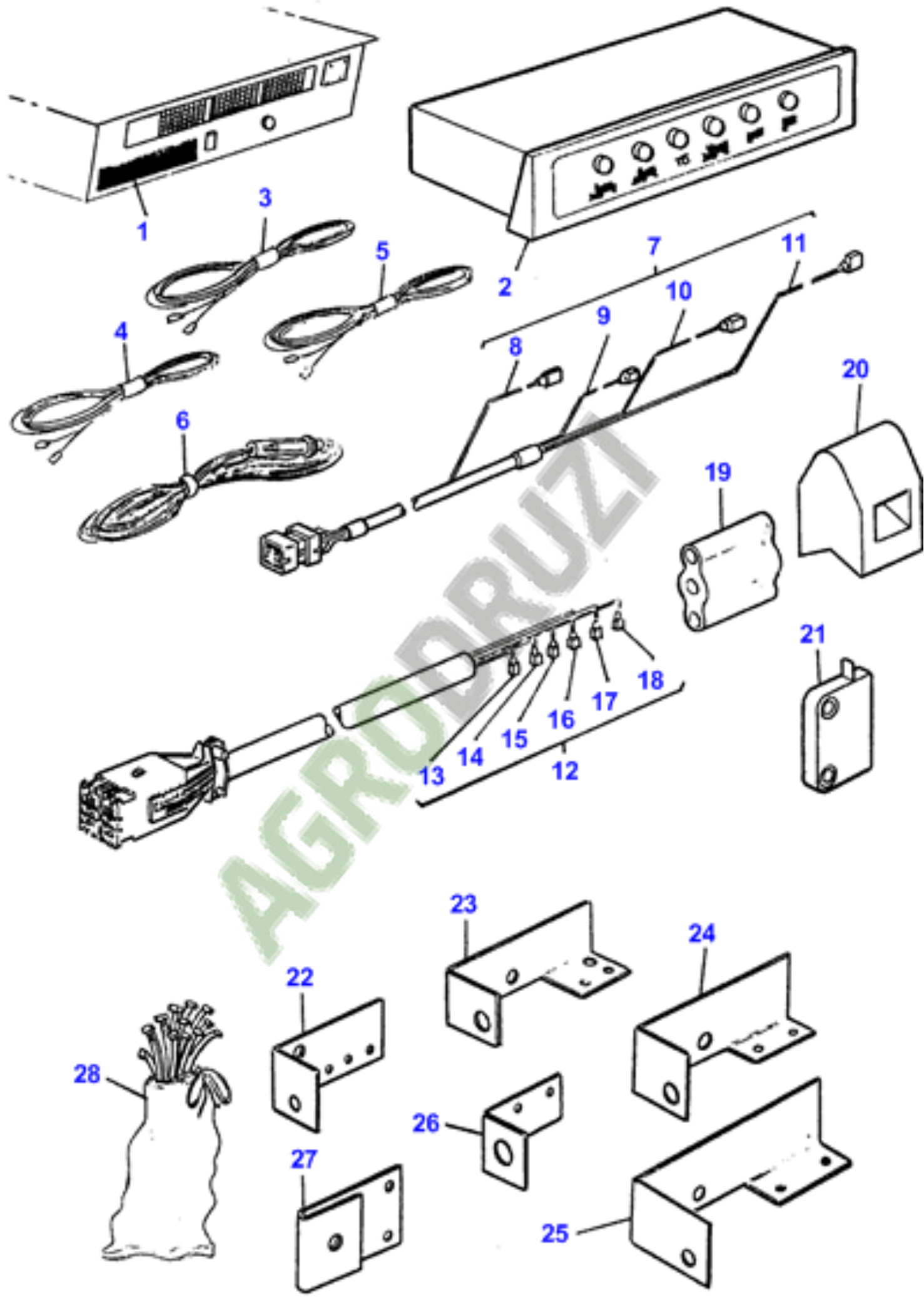
1.2545_007



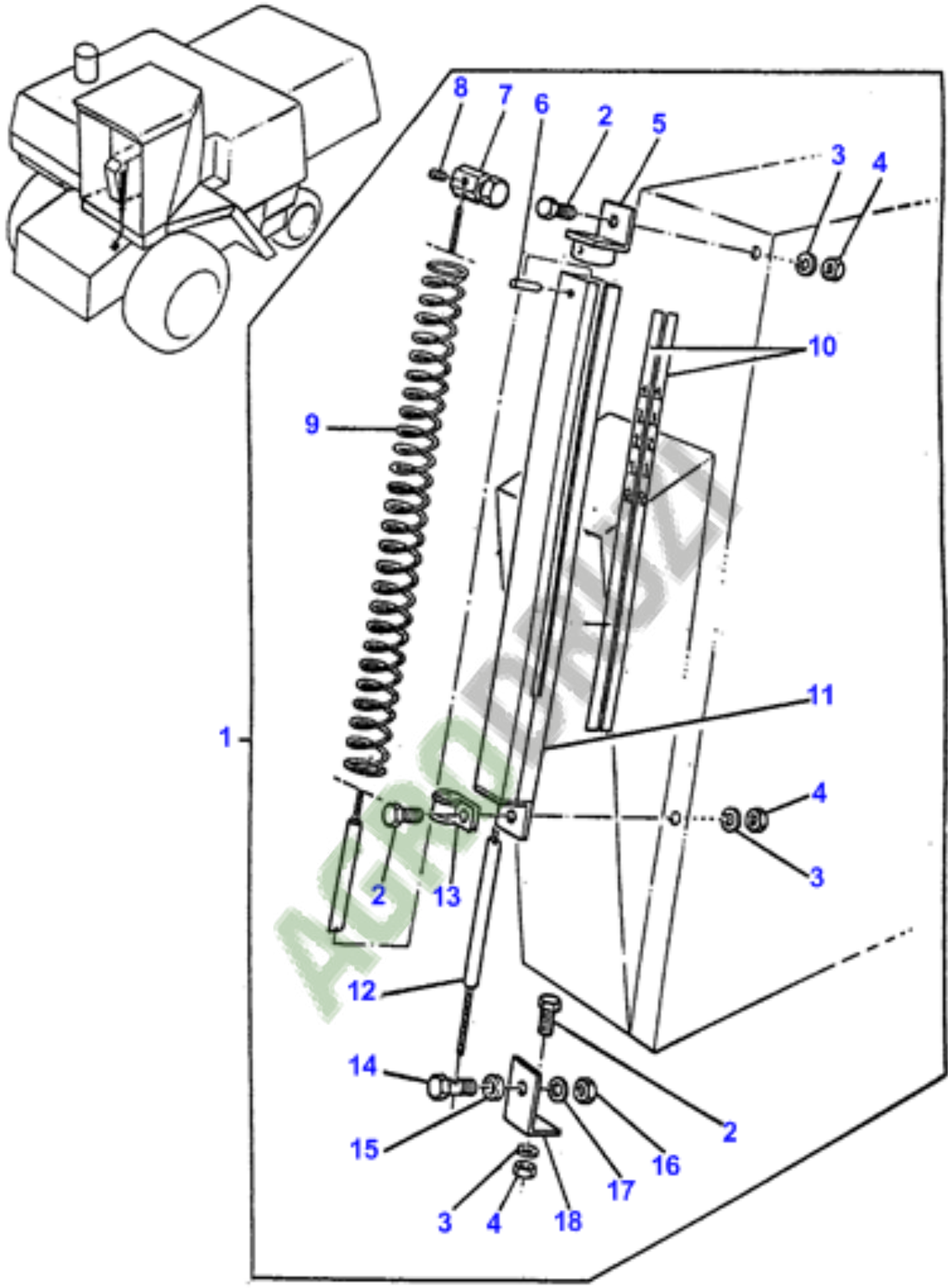
1-2560-021



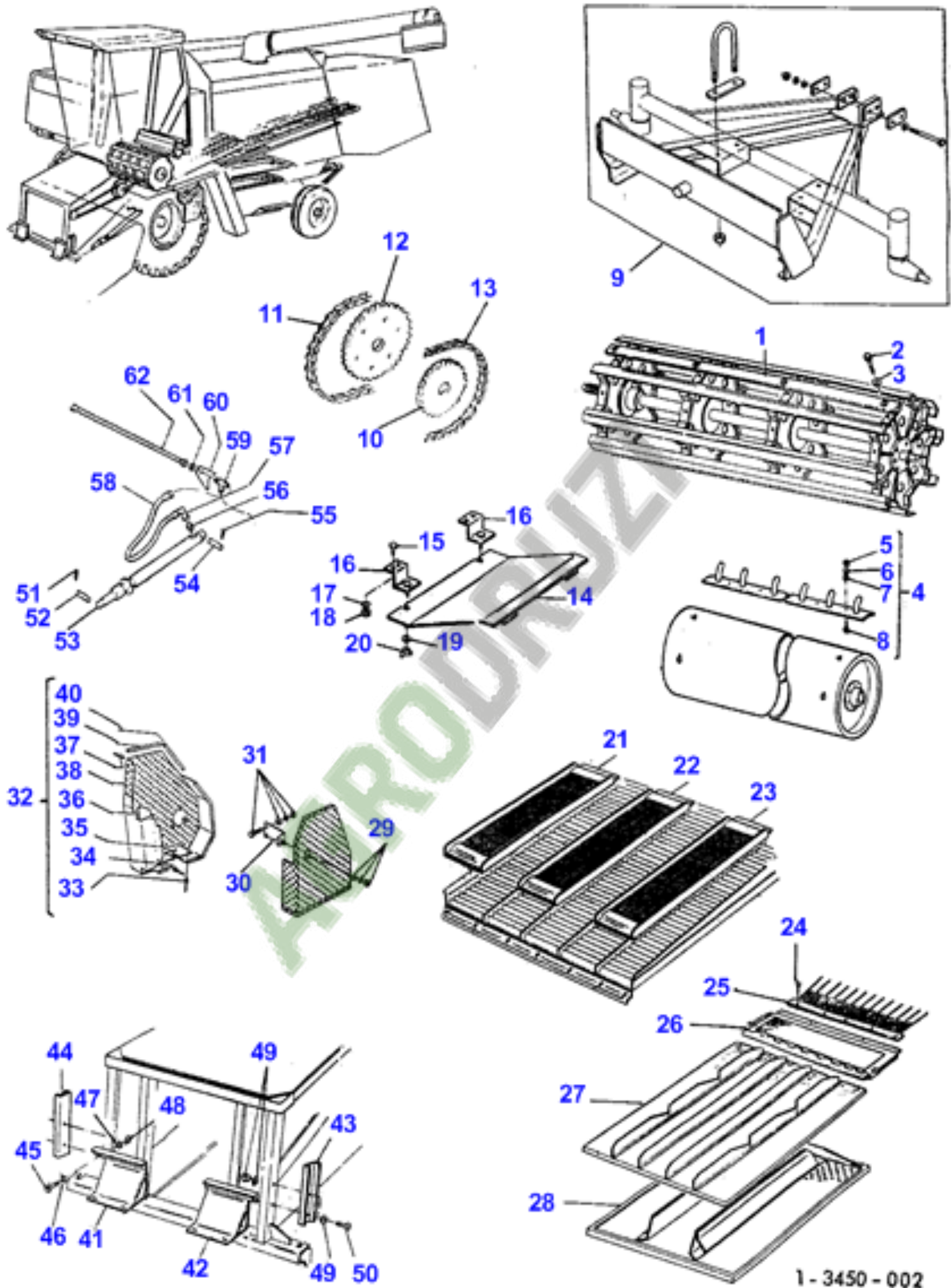
1-3550-001



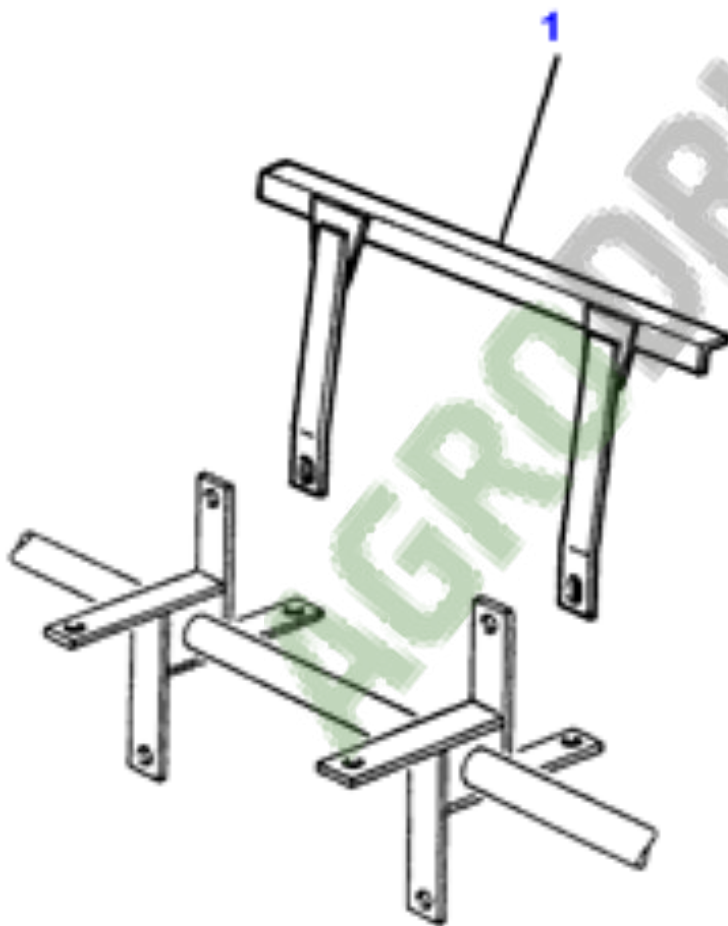
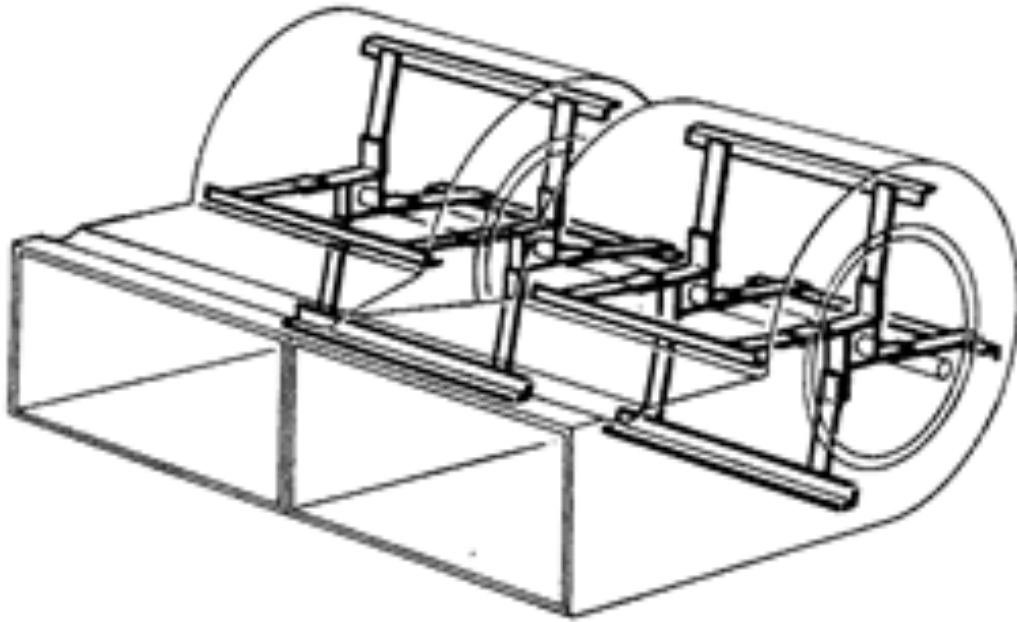
1-3555-001



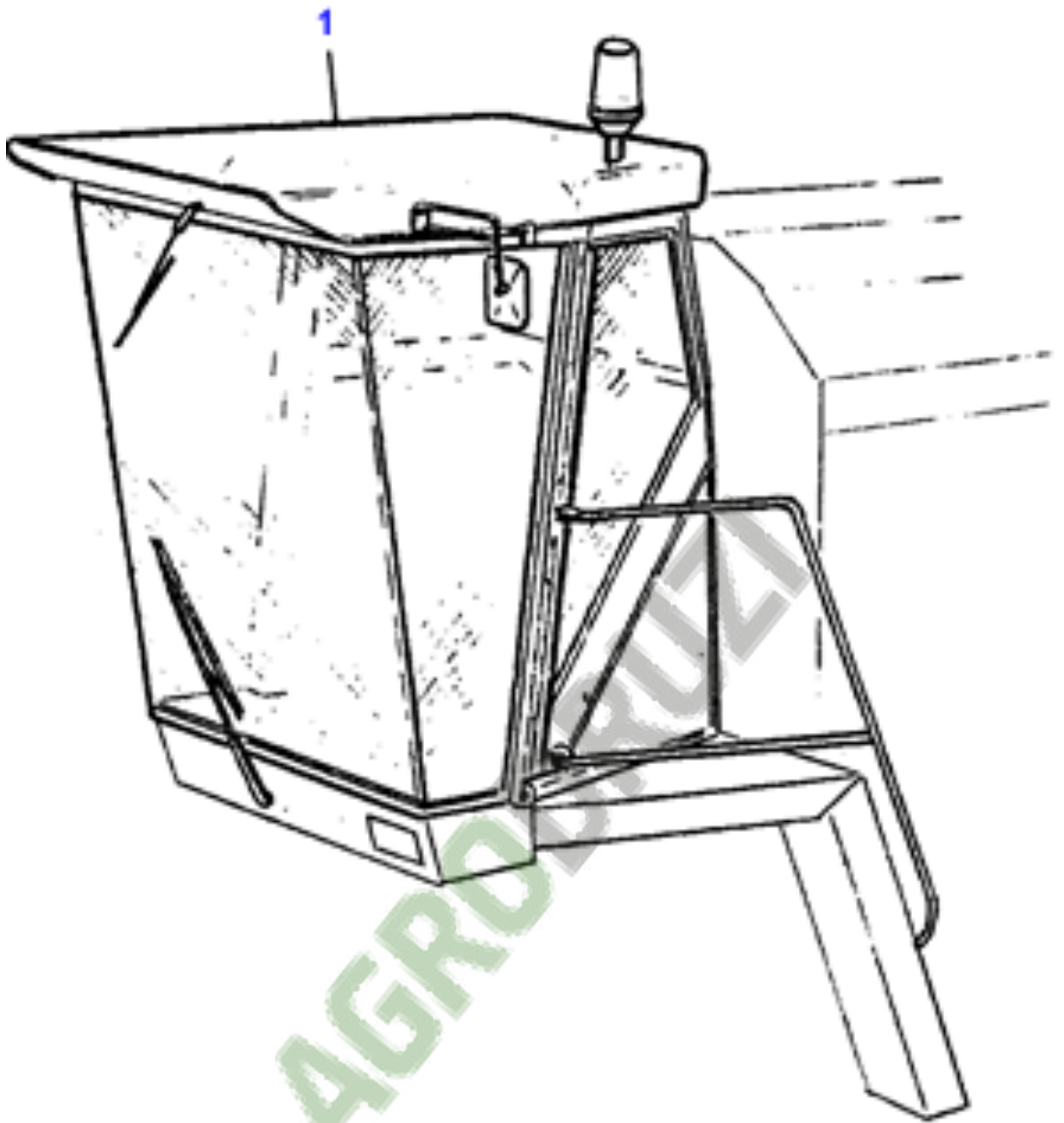
1-3560-001



1 - 3450 - 002



1-2542-001



1-2960-034