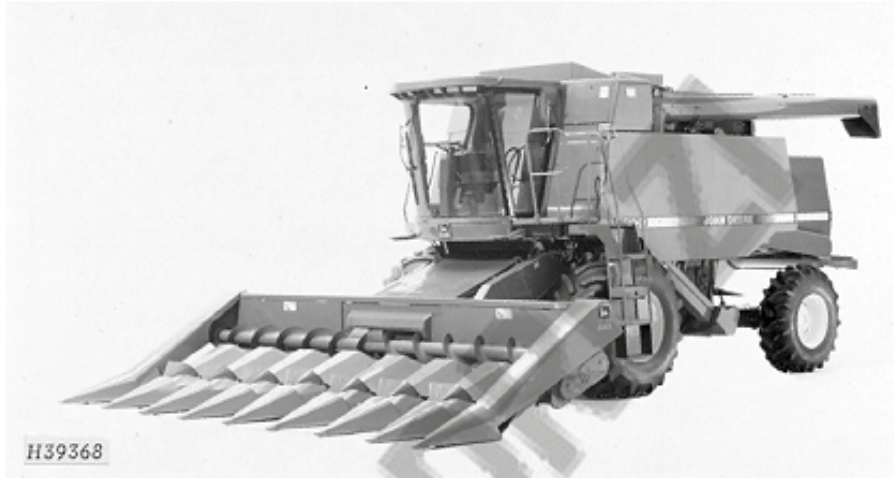


H39368

-UN-01JAN94



JOHN DEERE 9500 AND SIDEHILL 9500 MAXIMIZER COMBINES

9500	(1989-)
SH9500	(1992-)

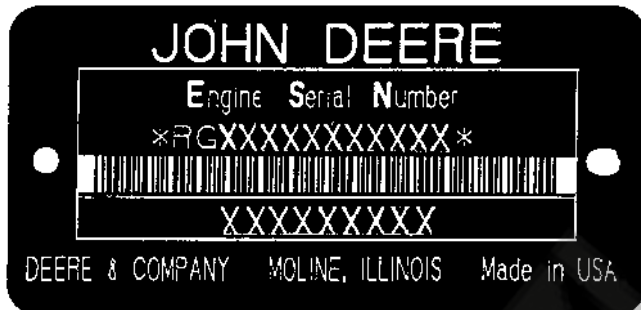
(SPECIFICATIONS AND DESIGN SUBJECT TO CHANGE WITHOUT NOTICE)

1A8

9500 AND SIDEHILL 9500 MAXIMIZER™ COMBINES

TWO LINE BAR CODED ENGINE SERIAL NUMBER PLATE AND ADDITIONAL ENGINE INFORMATION (LOCATED ON FUEL INJECTION PUMP SIDE OF ENGINE)

RGP3513 -UN-01JAN94



RGP3513

FIRST LINE

DEFINES

RG - WATERLOO ENGINE WORKS

DESIGNATES ENGINE MANUFACTURER.

6

DESIGNATES NUMBER OF CYLINDERS.

076 (7.6 LITERS)

DESIGNATES LITER DISPLACEMENT.

T - TURBOCHARGED

DESIGNATES AIR INTAKE SYSTEM.

OR

H - AIR-TO-AIR

H

DESIGNATES HARVESTER WORKS VEHICLE.

XXXXXX

DESIGNATES ENGINE SERIAL NUMBER.

SECOND LINE

6076XXXXX

DESIGNATES ENGINE APPLICATION

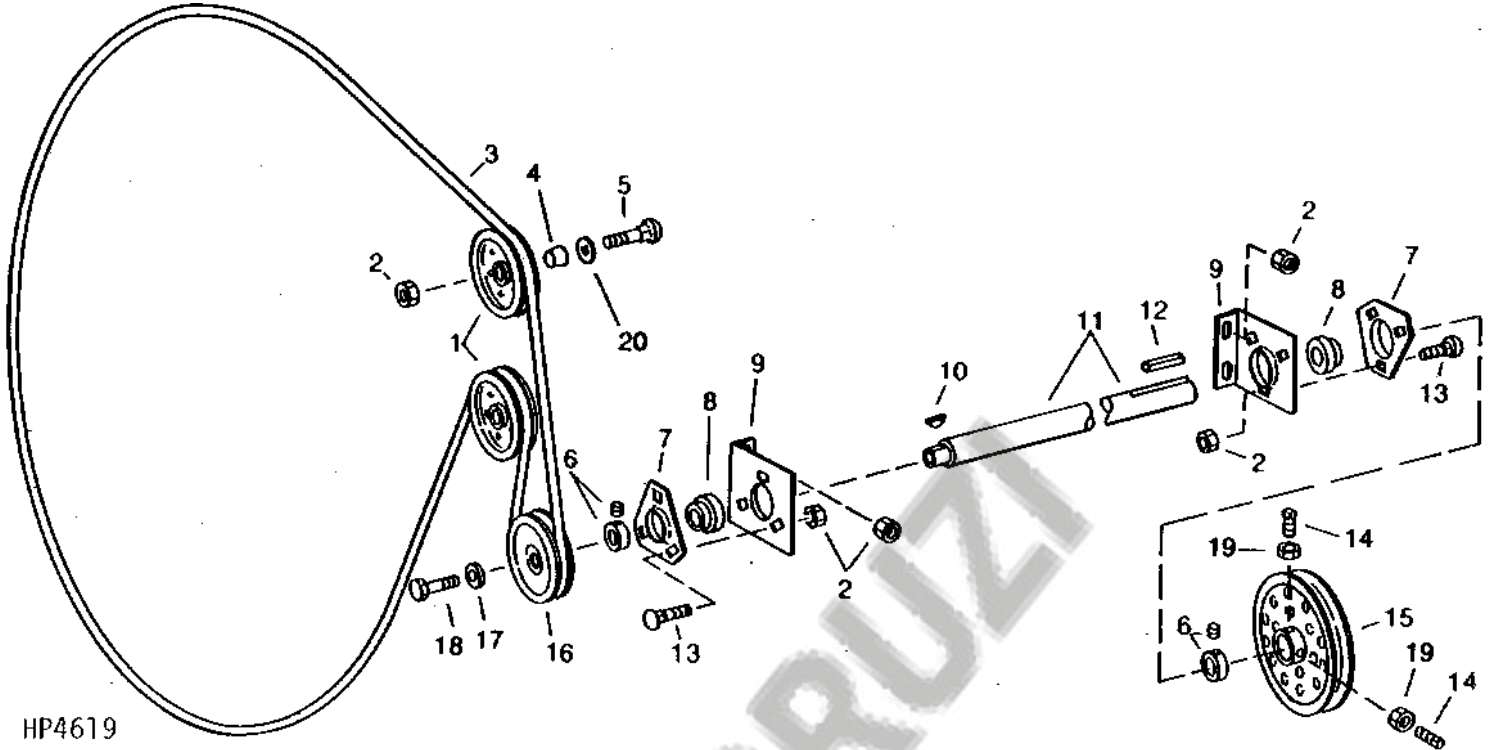
ADDITIONAL ENGINE INFORMATION

ENGINE MODEL	ENGINE SERIAL NO.	APPLICATION
6076TH001 (190 H.P.)	(-499999)	(9500 STD ENGINE)
6076HH003 (215 H.P.)	(-499999)	(9500 STD ENGINE)
6076HH004 (235 H.P.)	(-499999)	(9500 OPT ENGINE)
6076HH031 (215 H.P.)	(500000-565942)	(9500 STD ENGINE)
6076HH032 (235 H.P.)	(500000-567570)	(9500 OPT ENGINE)
6076HH032 (235 H.P.)	(500000-567570)	(9500 SIDE HILL ENGINE)
6076HH035 (218 H.P.)	(565943-)	(9500 STD ENGINE)
6076HH036 (238 H.P.)	(567571-)	(9500 OPT ENGINE)
6076HH036 (238 H.P.)	(567571-)	(9500 SIDEHILL)

1B23

ENGINE FAN, INTERCOOLER AND SCREENS

ROTARY SCREEN DRIVE (-645200)
 HP4619 -UN-01JAN94



HP4619

KEY	PART NO.	PART NAME	QTY	SERIAL NO.	REMARKS
-----	----------	-----------	-----	------------	---------

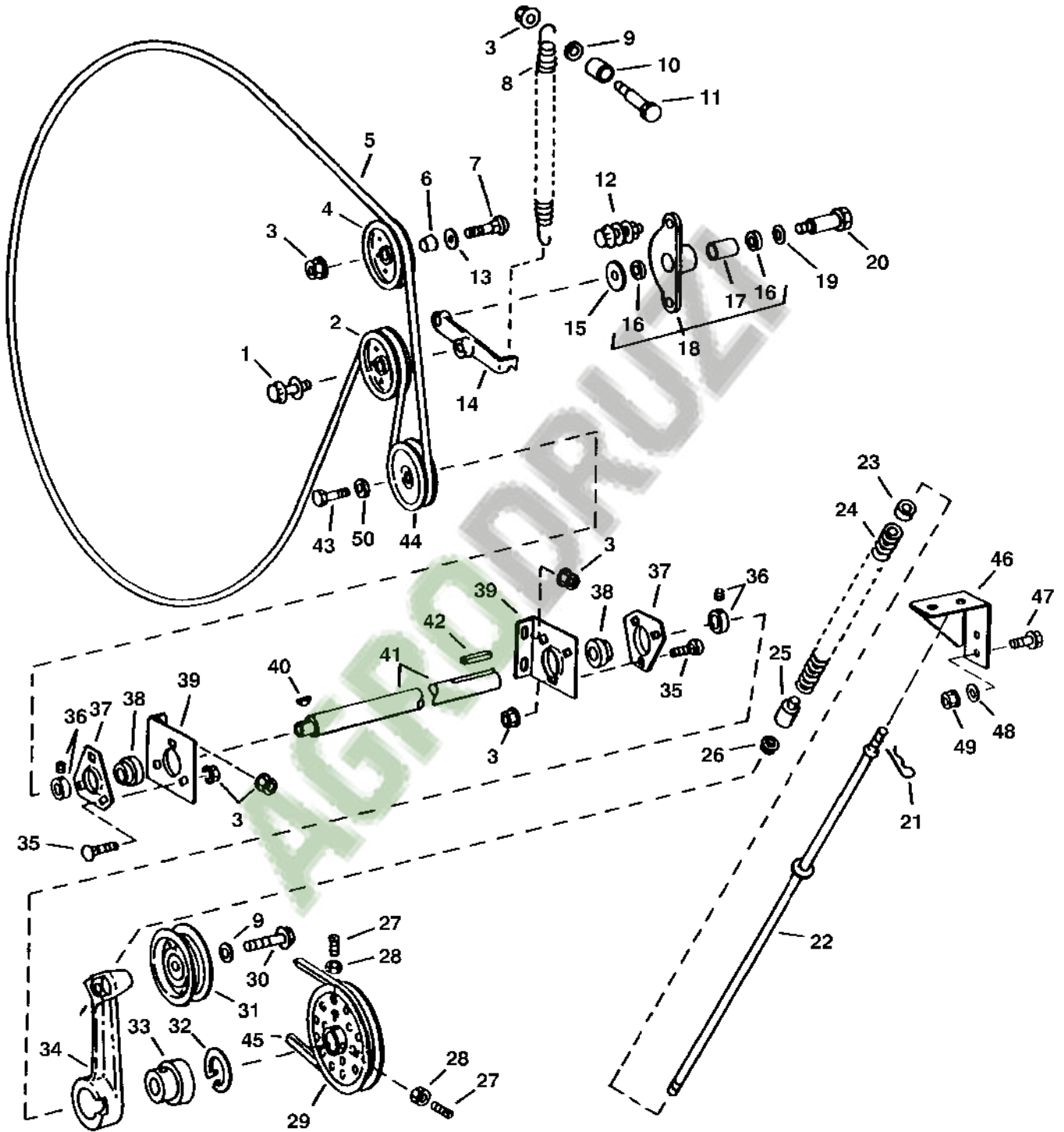
S
 H
 9 9
 5 5
 0 0
 0 0

AGRO DRUZ

1B24

ENGINE FAN, INTERCOOLER AND SCREENS

ROTARY SCREEN DRIVE AND IDLER ARMS (645201-)
HP6655 -UN-07MAR97

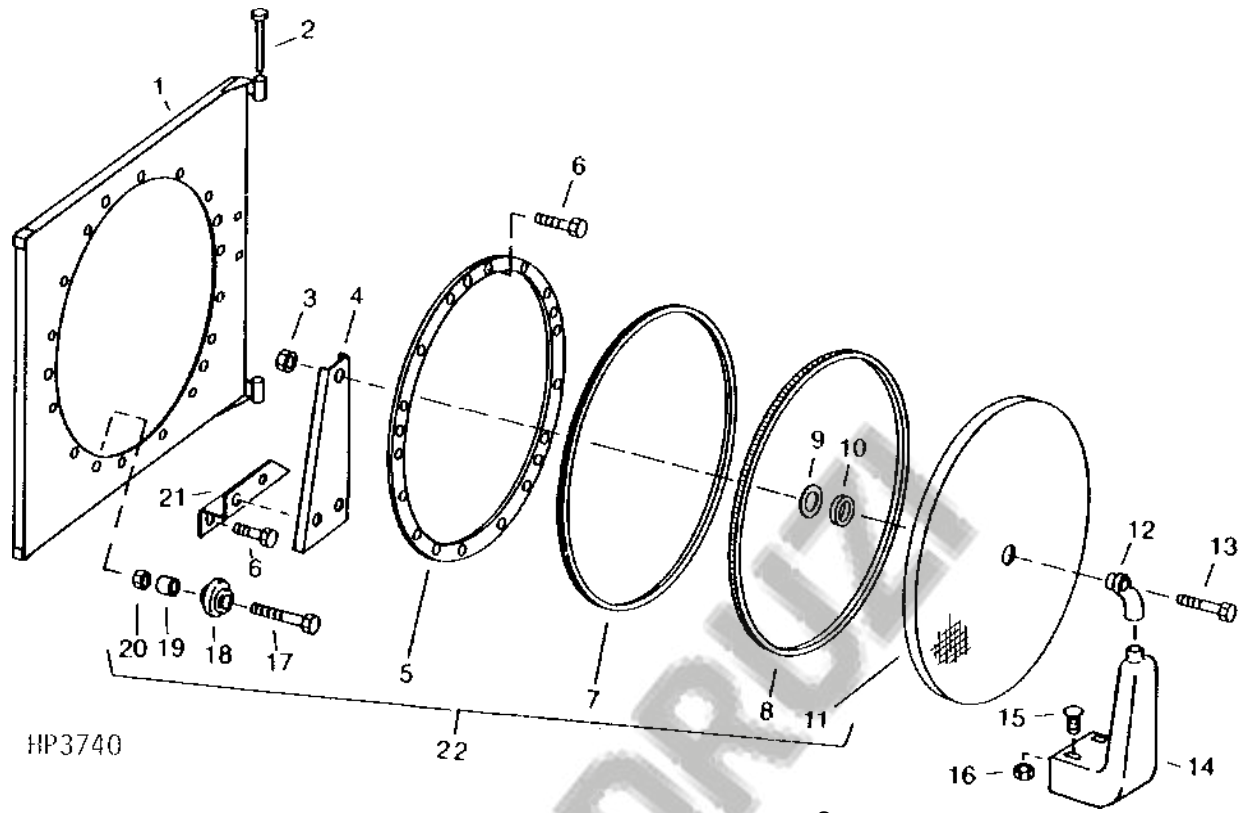


HP6655

4

ROTARY SCREEN DOOR AND SCREEN (-640200)

HP3740 -UN-01JAN94



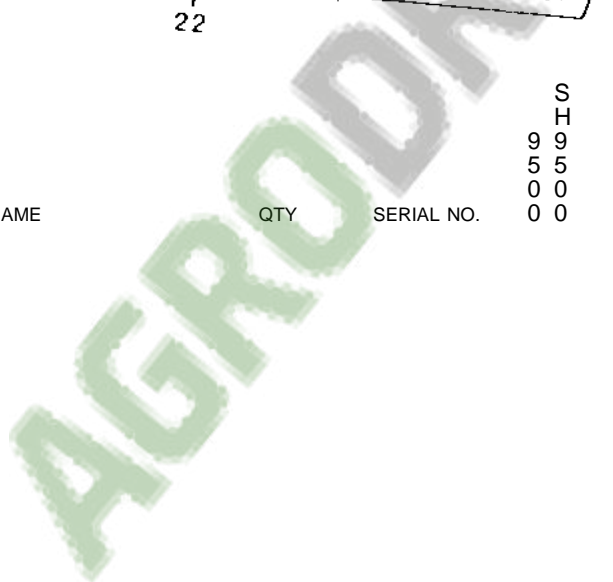
HP3740

22

12 13
15 16 14

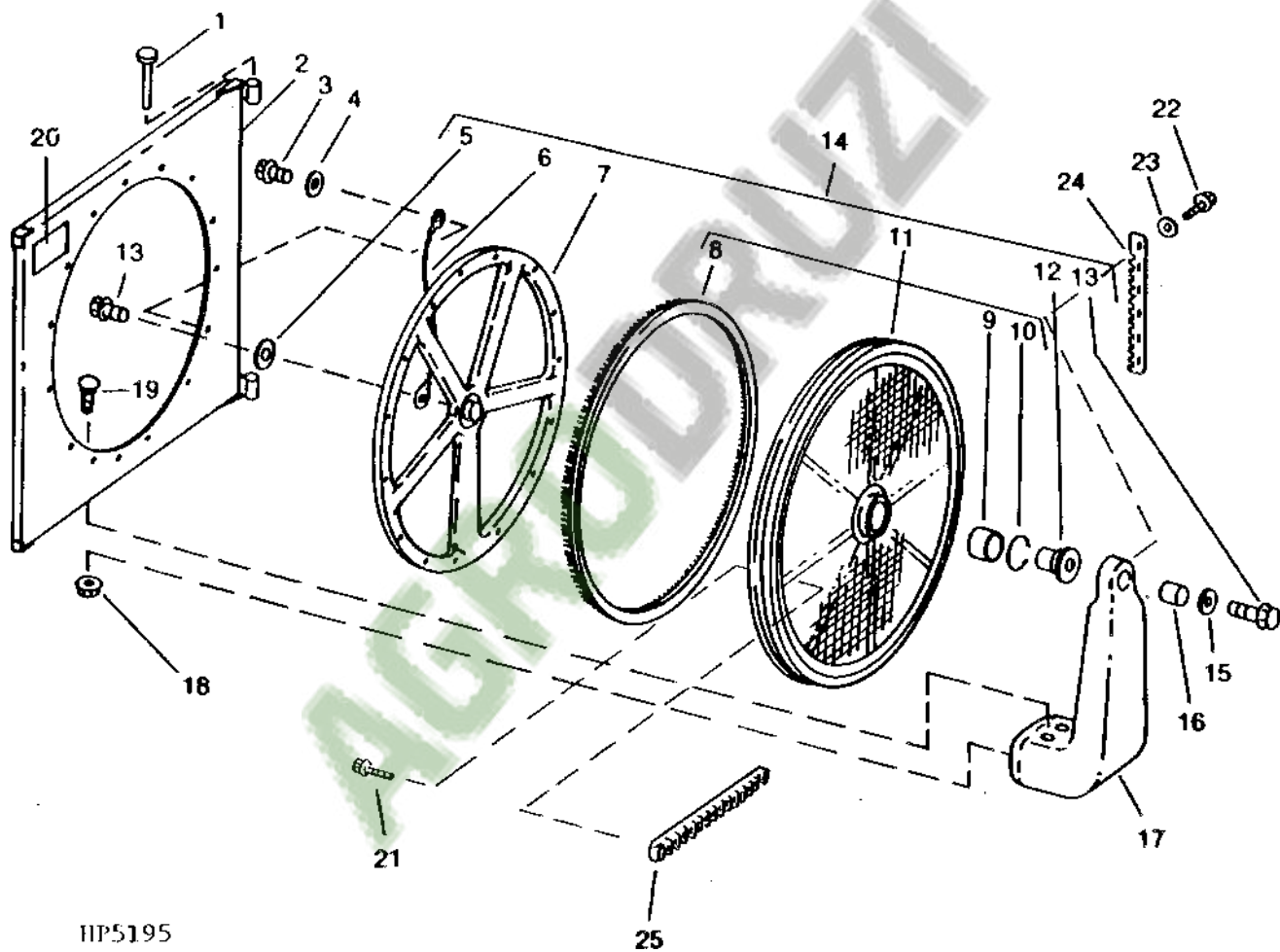
S
H
9 9
5 5
0 0
0 0

KEY	PART NO.	PART NAME	QTY	SERIAL NO.	REMARKS
-----	----------	-----------	-----	------------	---------



ROTARY SCREEN DOOR AND SCREEN

9500 - (640201-)
SH9500 - (645201-)
HP5195 -UN-01JAN94



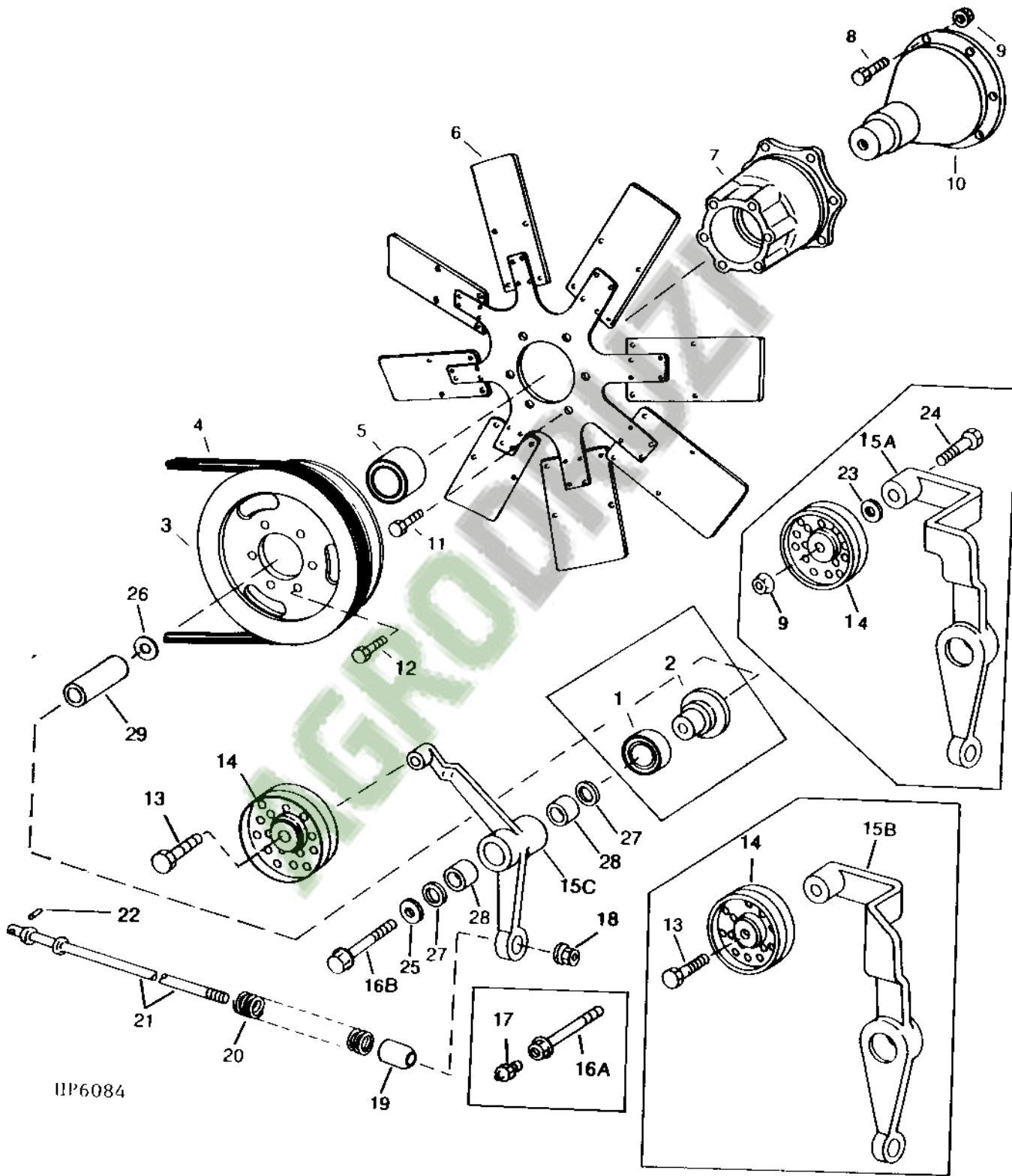
HP5195

25

1C4

ENGINE FAN, INTERCOOLER AND SCREENS

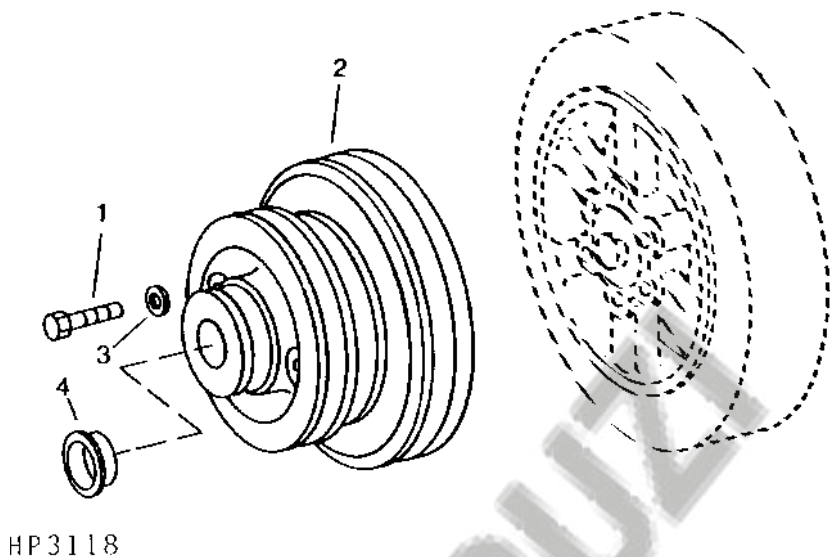
ENGINE FAN AND DRIVES
HP6084 -UN-14JUN95



HP6084

1C6

6076 ENGINE FAN DRIVE
HP3118 -UN-01JAN94



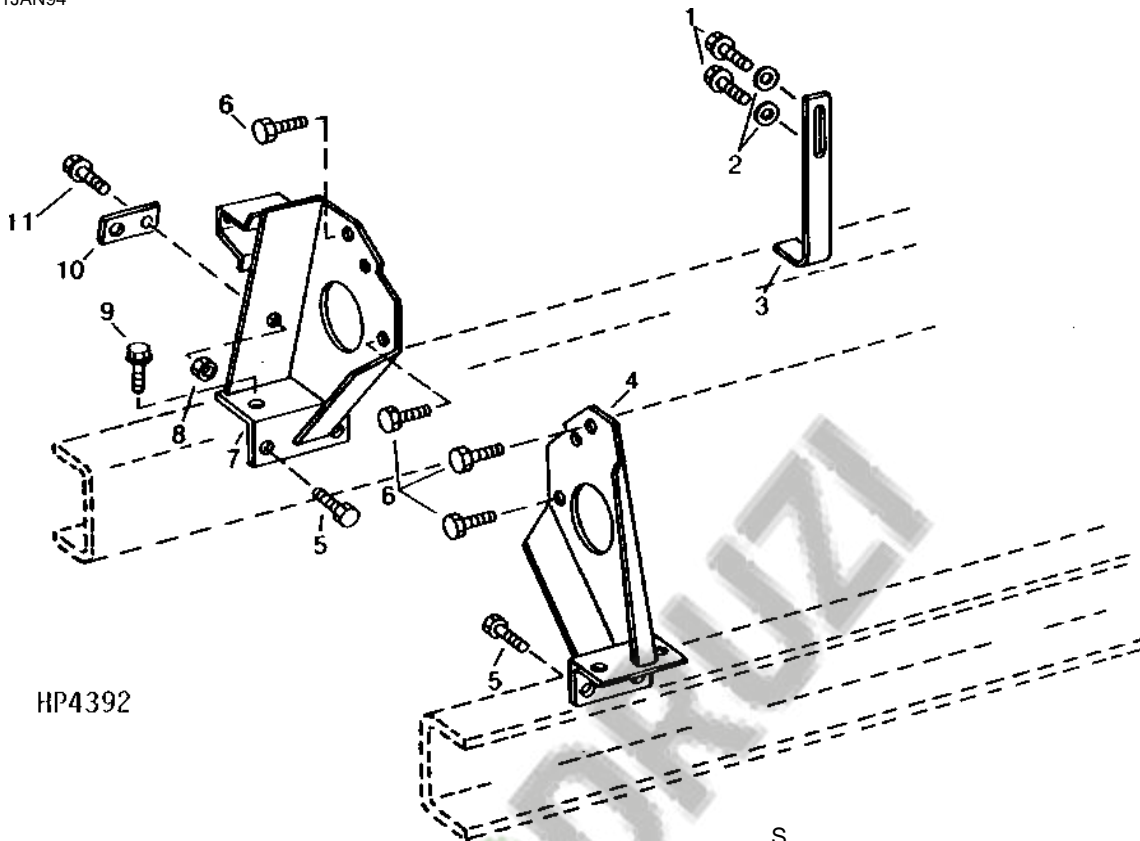
KEY	PART NO.	PART NAME	QTY	SERIAL NO.	REMARKS
				S H 9 9 5 5 0 0 0 0	

AGRODRIVE

1C7

6076 ENGINE MOUNTS AND REAR SUPPORT

9500 (-640200)
 HP4392 -UN-01JAN94



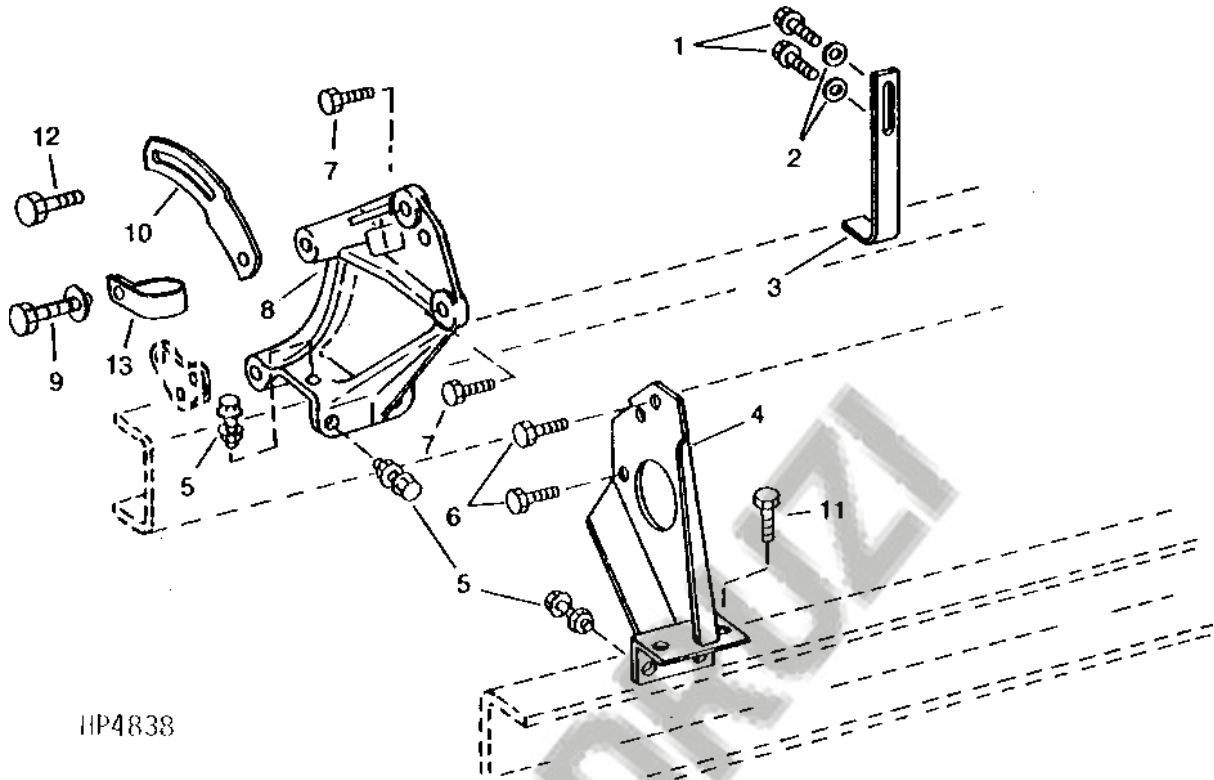
HP4392

KEY	PART NO.	PART NAME	QTY	SERIAL NO.	REMARKS
				S	
				H	
				9 9	
				5 5	
				0 0	
				0 0	

AGRODOK

1C8

6076 ENGINE MOUNTS AND REAR SUPPORT
 9500 (640201-655551) SH9500 (645201-655551)
 HP4838 -UN-01JAN94



HP4838

KEY	PART NO.	PART NAME	QTY	SERIAL NO.	REMARKS
-----	----------	-----------	-----	------------	---------

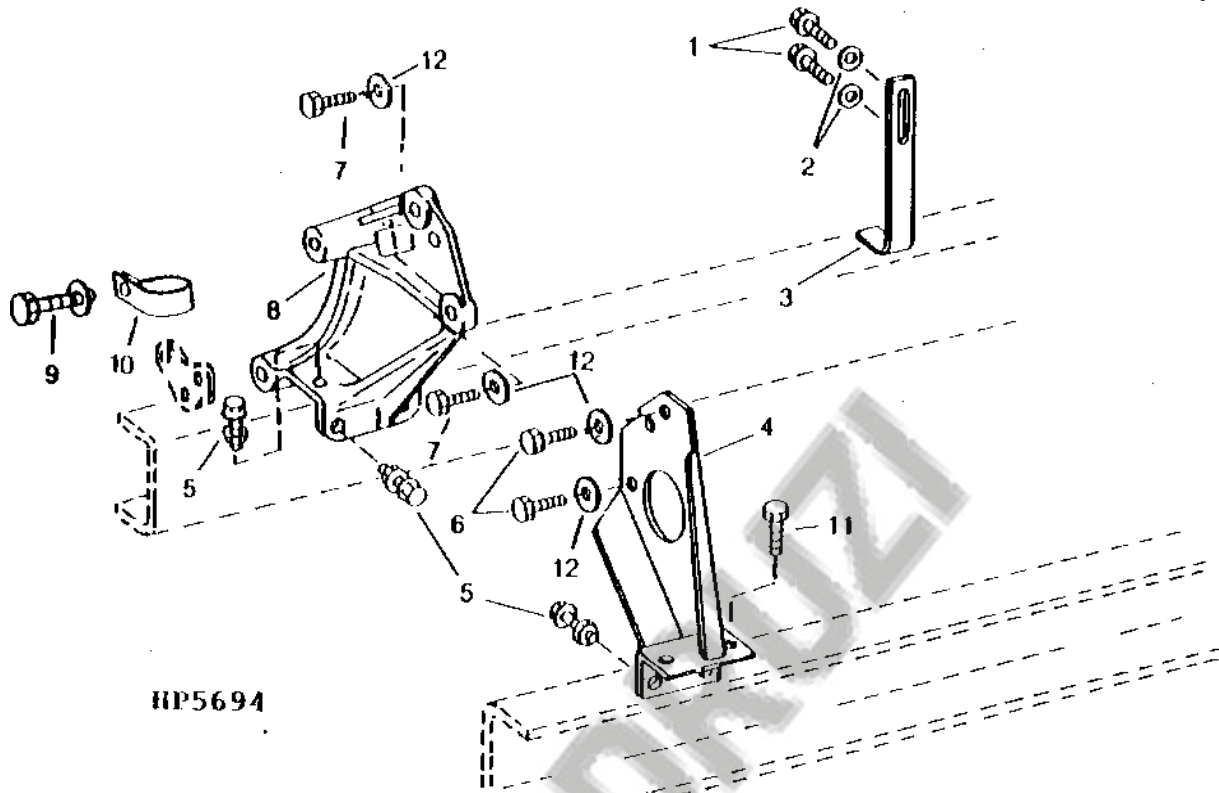
S
 H
 9 9
 5 5
 0 0
 0 0

AGRODITA

1C9

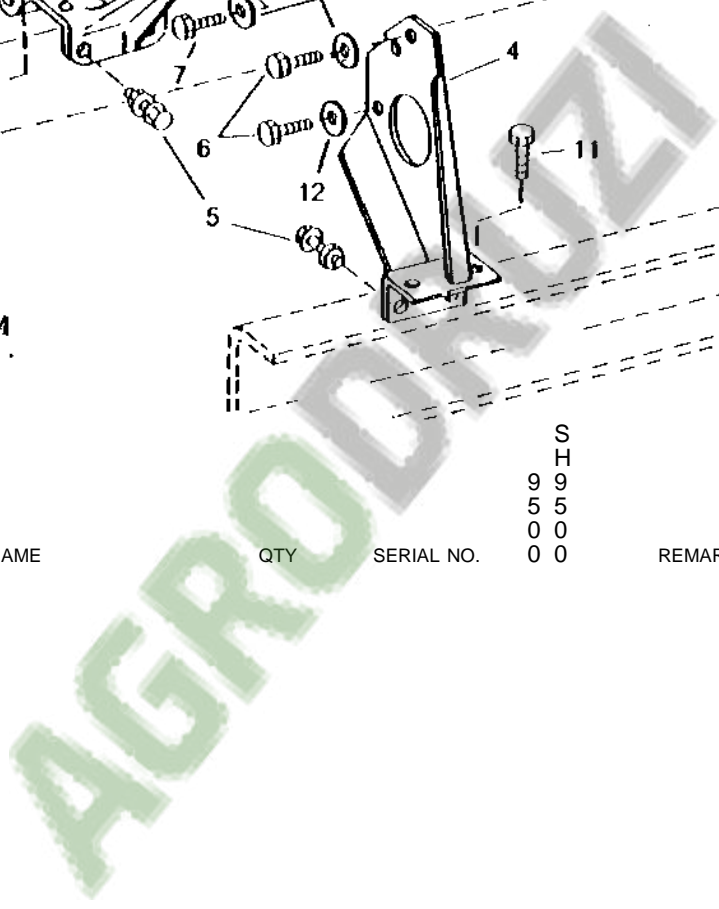
6076 ENGINE MOUNTS AND REAR SUPPORT

(655552-)
 HP5694 -UN-01JAN94



HP5694

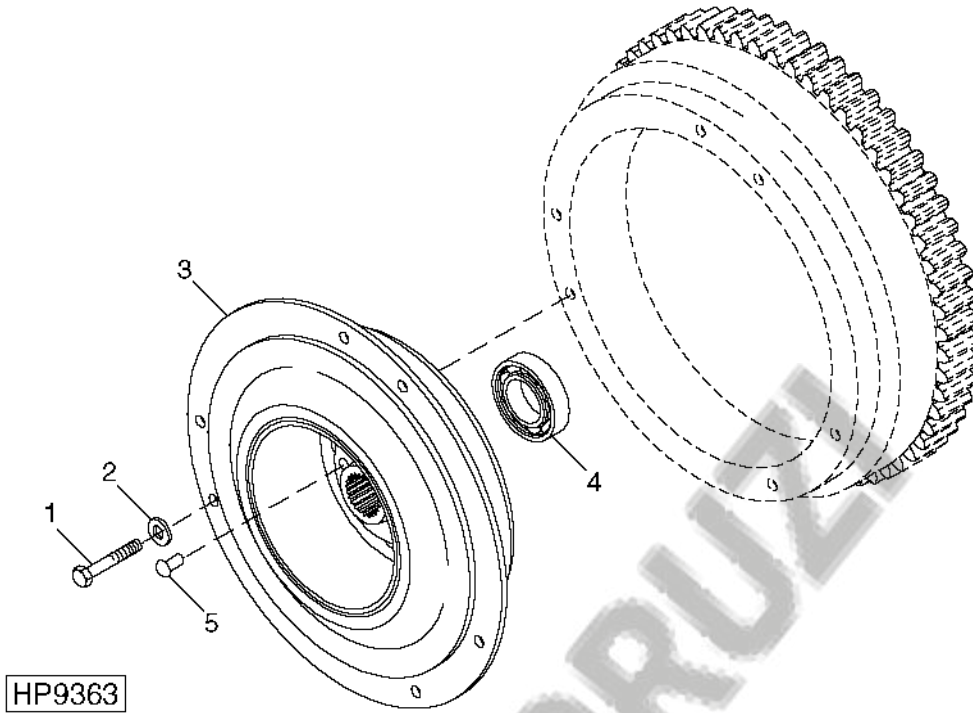
KEY	PART NO.	PART NAME	QTY	SERIAL NO.	REMARKS
				S	
				H	
				9 9	
				5 5	
				0 0	
				0 0	



1C10

ENGINE FAN, INTERCOOLER AND SCREENS

ENGINE GEARCASE COUPLING WITH HUB
HP9363 -UN-02DEC99

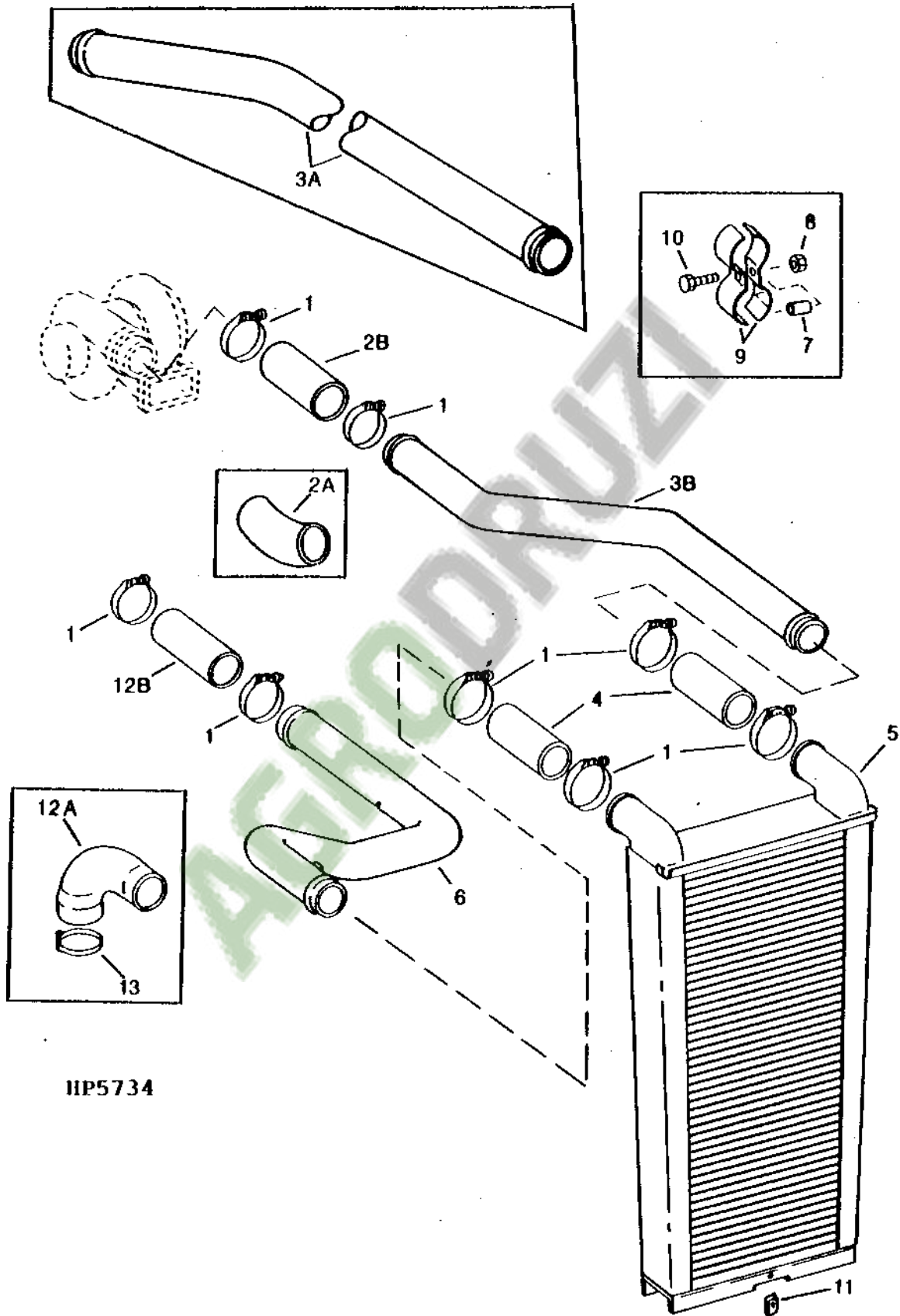


KEY	PART NO.	PART NAME	QTY	SERIAL NO.	REMARKS
-----	----------	-----------	-----	------------	---------

S
H
9 9
5 5
0 0
0 0

1C11

INTERCOOLER AND HOSES
HP5734 -UN-01JAN94

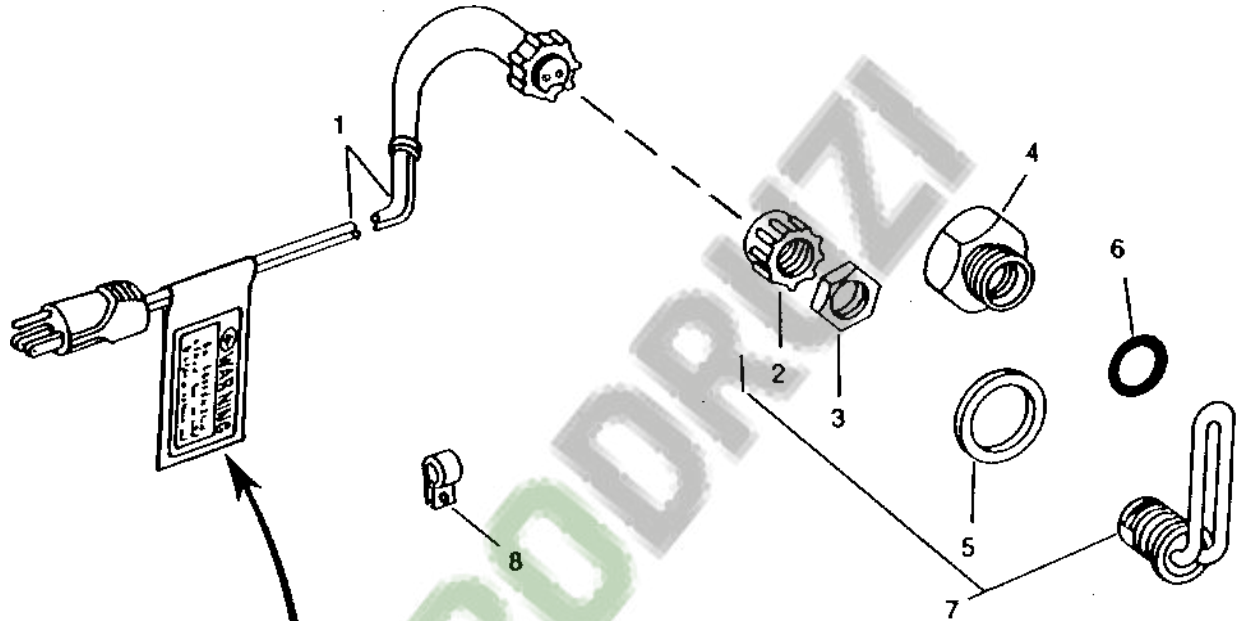


HP5734

1C13

ENGINE FAN, INTERCOOLER AND SCREENS

ENGINE BLOCK COOLANT HEATER AND EXTENSION CORD
HP5231 -UN-01JAN94

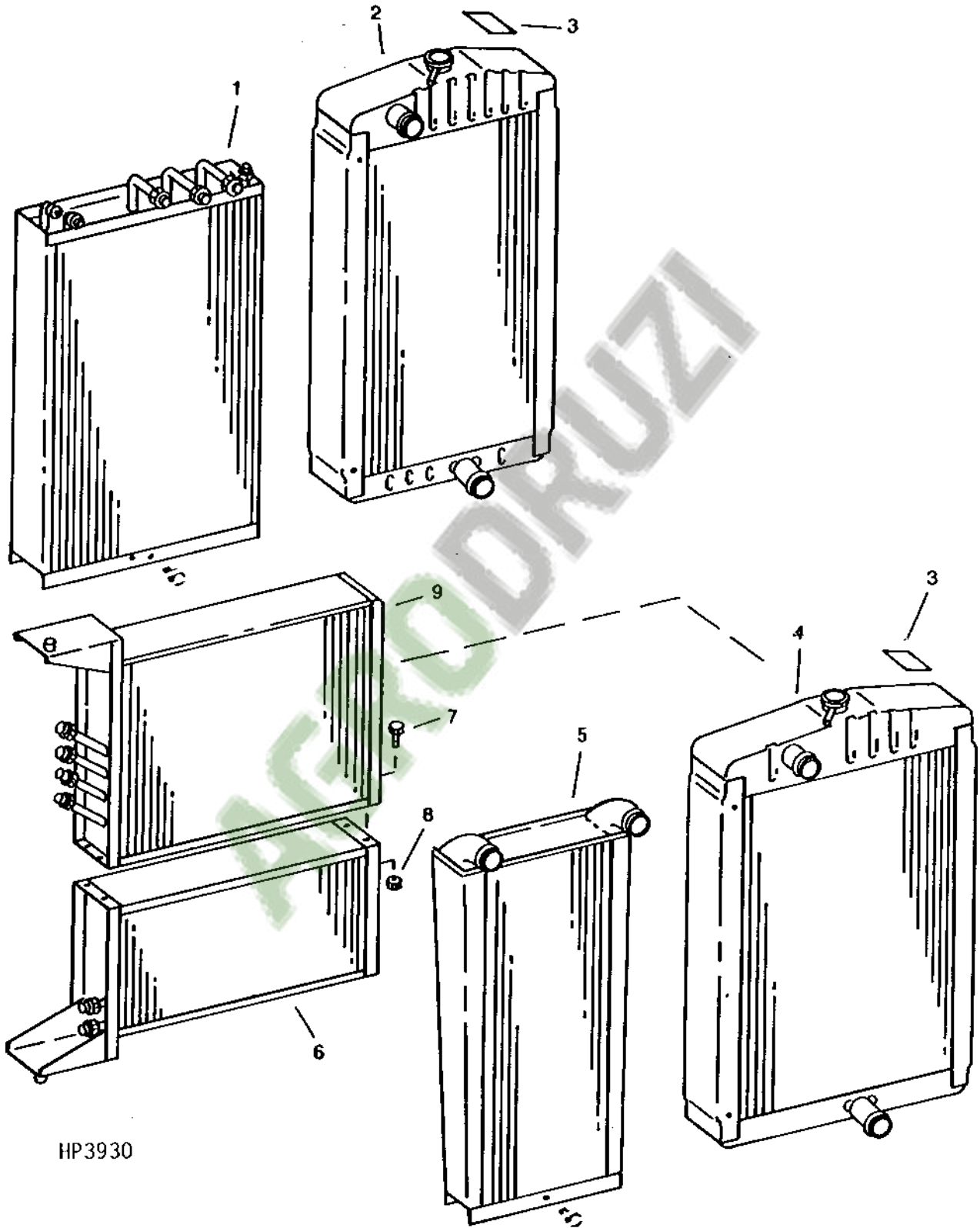


⊕ WARNING
To prevent shock,
always use a grounded
3-wire extension cord

HP5231

1C15

RADIATOR WITH OIL COOLER, A/C CONDENSER AND AIR INTER COOLER
HP3930 -UN-01JAN94

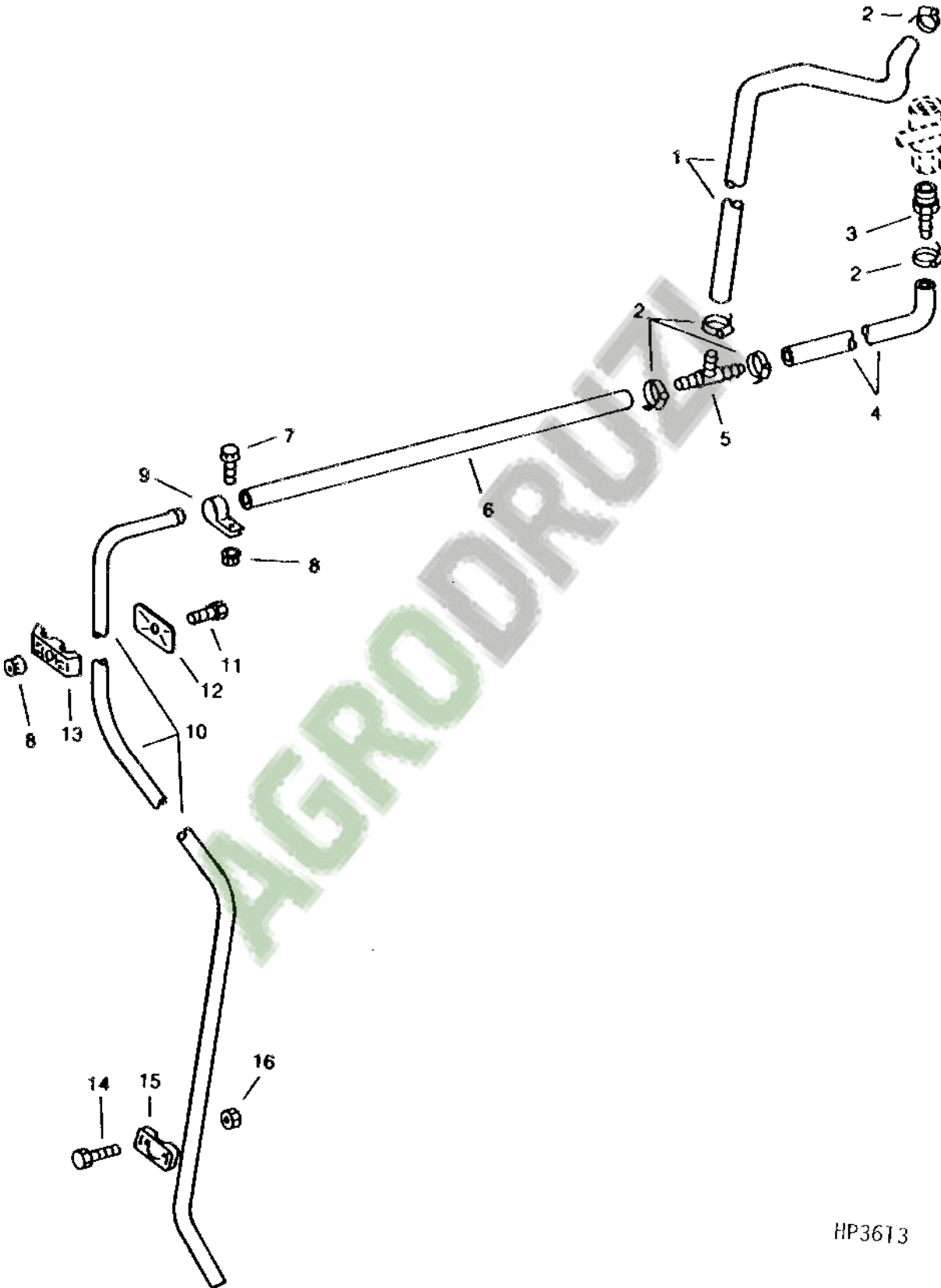


HP3930

1C17

ENGINE CRANKCASE OIL DRAIN

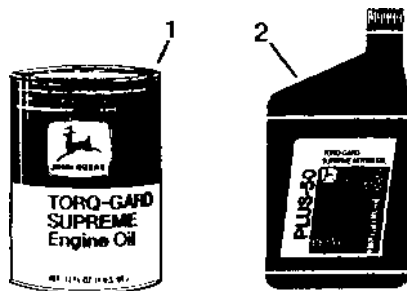
HP3613 -UN-01JAN94



HP3613

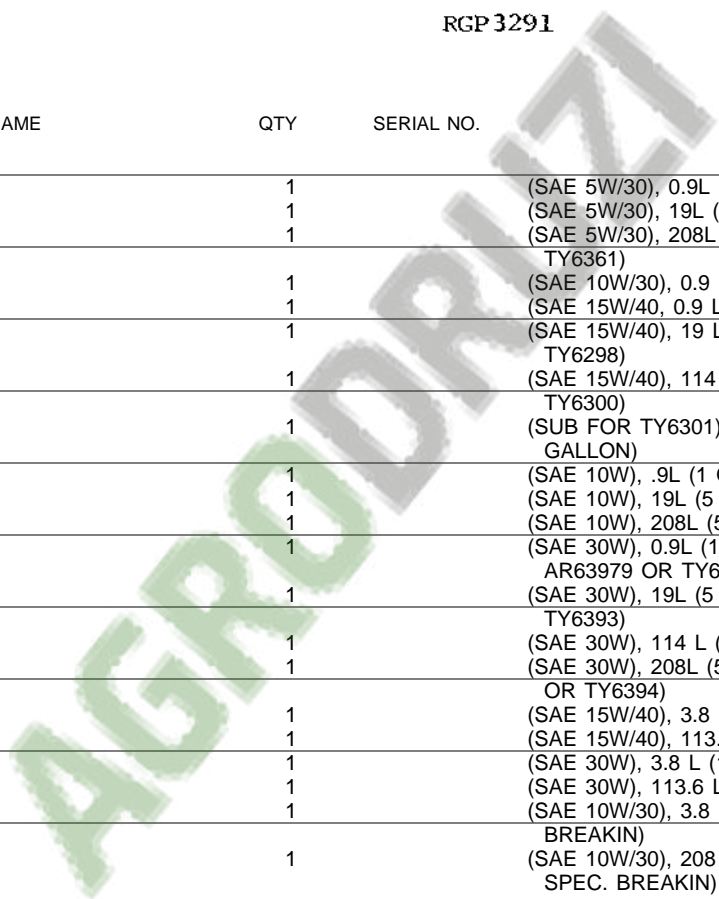
TORQ-GARD SUPREME AND PLUS-50 ENGINE OIL

RGP3291 -UN-01JAN94

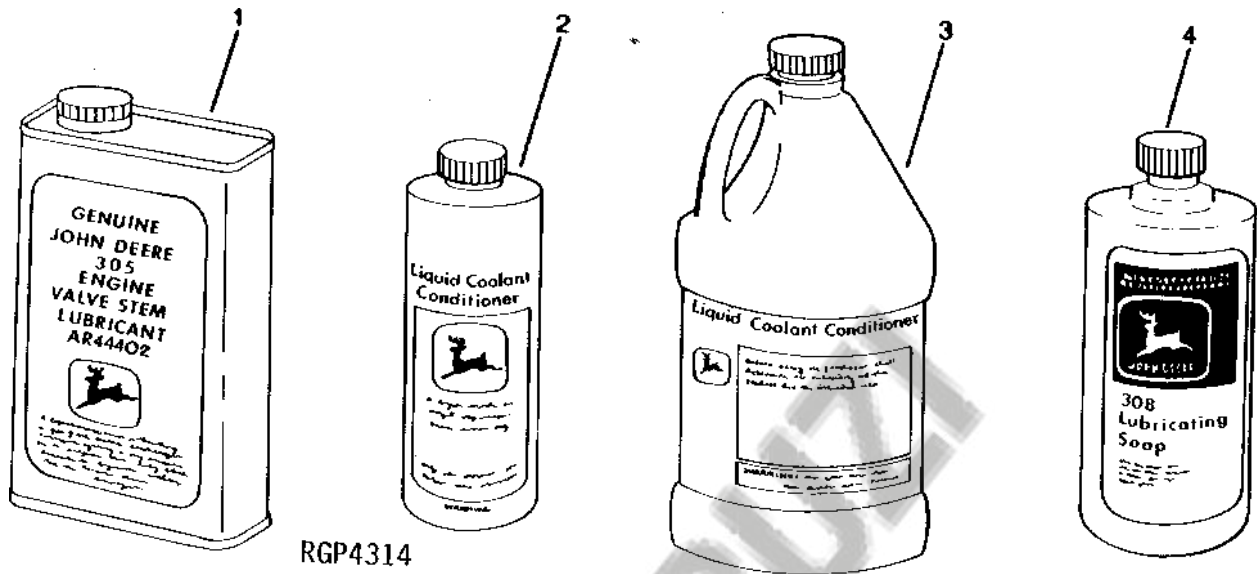


RGP 3291

KEY	PART NO.	PART NAME	QTY	SERIAL NO.	REMARKS
1	TY22064	OIL	1		(SAE 5W/30), 0.9L (1 QUART) (SUB FOR TY6359)
	TY22065	OIL	1		(SAE 5W/30), 19L (5 GALLON) (SUB FOR TY6360)
	TY22066	OIL	1		(SAE 5W/30), 208L (55 GALLON) (SUB FOR TY6361)
	TY6364	OIL	1		(SAE 10W/30), 0.9 L (1 QUART) (BREAKIN)
	TY6389	OIL	1		(SAE 15W/40), 0.9 L (1 QUART) (SUB FOR TY6297)
	TY6390	OIL	1		(SAE 15W/40), 19 L (5 GALLON) (SUB FOR TY6298)
	TY22010	OIL	1		(SAE 15W/40), 114 L (30 GALLON) (SUB FOR TY6300)
	TY6391	OIL	1		(SUB FOR TY6301) (SAE 15W/40), 208 L (55 GALLON)
	TY22067	OIL	1		(SAE 10W), .9L (1 GALLON) (SUB FOR TY22009)
	TY22068	OIL	1		(SAE 10W), 19L (5 GALLON) (SUB FOR TY6312)
	TY22069	OIL	1		(SAE 10W), 208L (55 GALLON) (SUB FOR TY6313)
	TY22070	OIL	1		(SAE 30W), 0.9L (1 GALLON) (SUB FOR AR63218, AR63979 OR TY6392)
	TY22073	OIL	1		(SAE 30W), 19L (5 GALLON) (SUB FOR AR63219 OR TY6393)
	TY6280	OIL	1		(SAE 30W), 114 L (30 GALLON)
TY22074	OIL	1		(SAE 30W), 208L (55 GALLON) (SUB FOR AR63222 OR TY6394)	
2	TY22008	OIL	1		(SAE 15W/40), 3.8 L (1 GALLON)
	TY22010	OIL	1		(SAE 15W/40), 113.6 L (30 GALLON)
	TY22071	OIL	1		(SAE 30W), 3.8 L (1 GALLON) (SUB FOR TY22007)
	TY22011	OIL	1		(SAE 30W), 113.6 L (30 GALLON)
..	TY22041	OIL	1		(SAE 10W/30), 3.8 L (1 GALLON) (FACTORY SPEC BREAKIN)
..	TY22042	OIL	1		(SAE 10W/30), 208 L (55 GALLON) (FACTORY SPEC. BREAKIN)

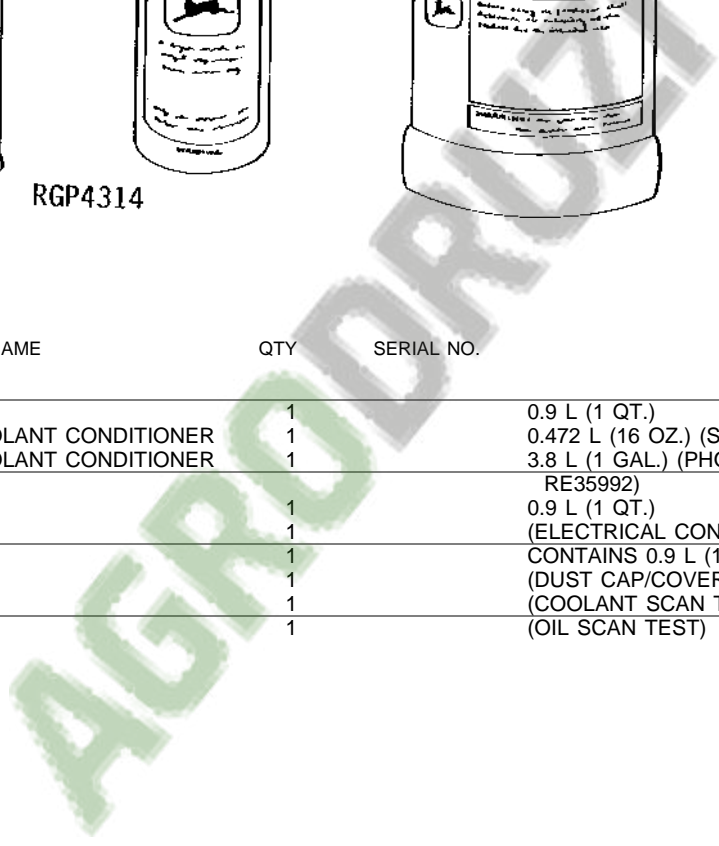


COOLANT CONDITIONER AND ENGINE PART LUBRICANTS
RGP4314 -UN-01JAN94



RGP4314

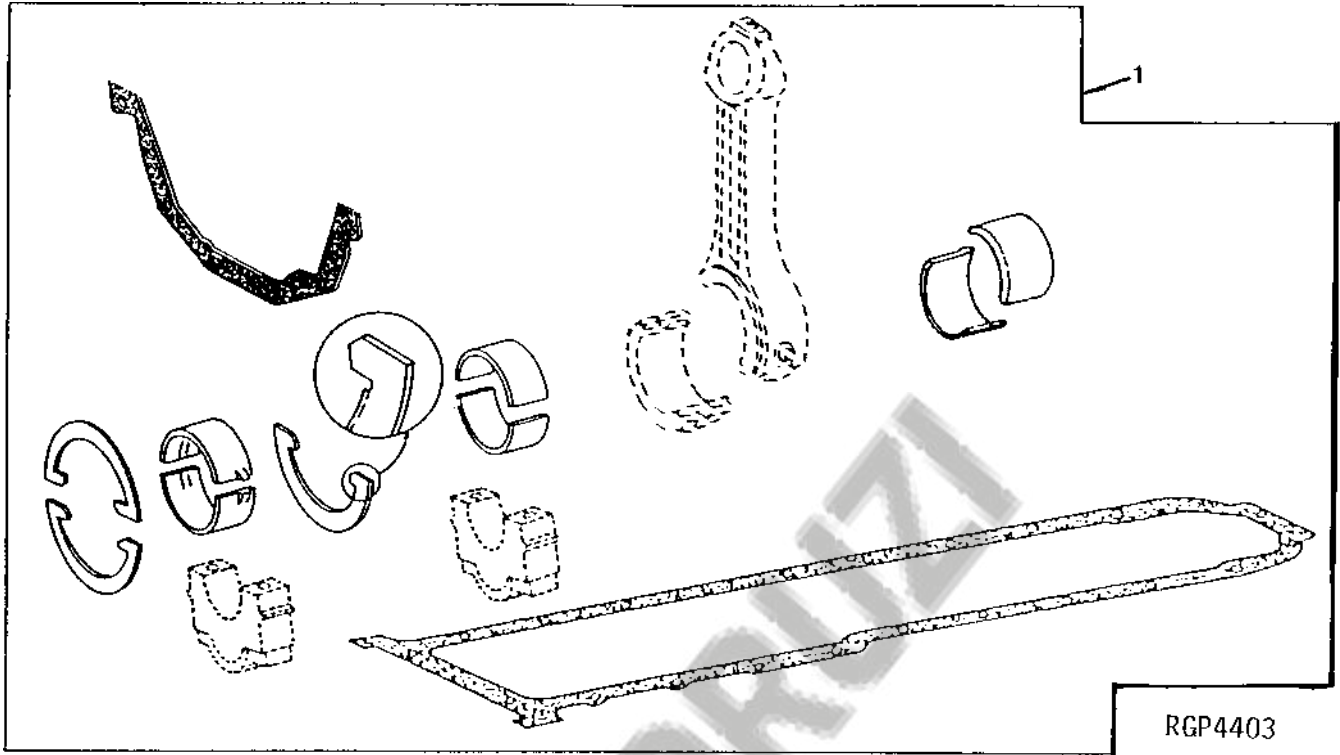
KEY	PART NO.	PART NAME	QTY	SERIAL NO.	REMARKS
1	AR44402	OIL	1		0.9 L (1 QT.)
2	TY16004	ENGINE COOLANT CONDITIONER	1		0.472 L (16 OZ.) (SUB FOR RE23182)
3	TY16005	ENGINE COOLANT CONDITIONER	1		3.8 L (1 GAL.) (PHOSPHATE - FREE) (SUB FOR RE35992)
4	AR54749	LUBRICANT	1		0.9 L (1 QT.)
	AT66865	LUBRICANT	1		(ELECTRICAL CONNECTIONS) (NOT SHOWN)
..	AR41785	KIT	1		CONTAINS 0.9 L (1 QT.) (OFF-SEASON STORAGE)
..	AR21969	KIT	1		(DUST CAP/COVER KIT)
..	DS0251	KIT	1		(COOLANT SCAN TEST)
..	IPSKIT1	KIT	1		(OIL SCAN TEST)



1D10

6076 ENGINE (ENGINE SERIAL NUMBER -499999)

ENGINE UNDERHAUL KIT
RGP4403 -UN-14DEC94



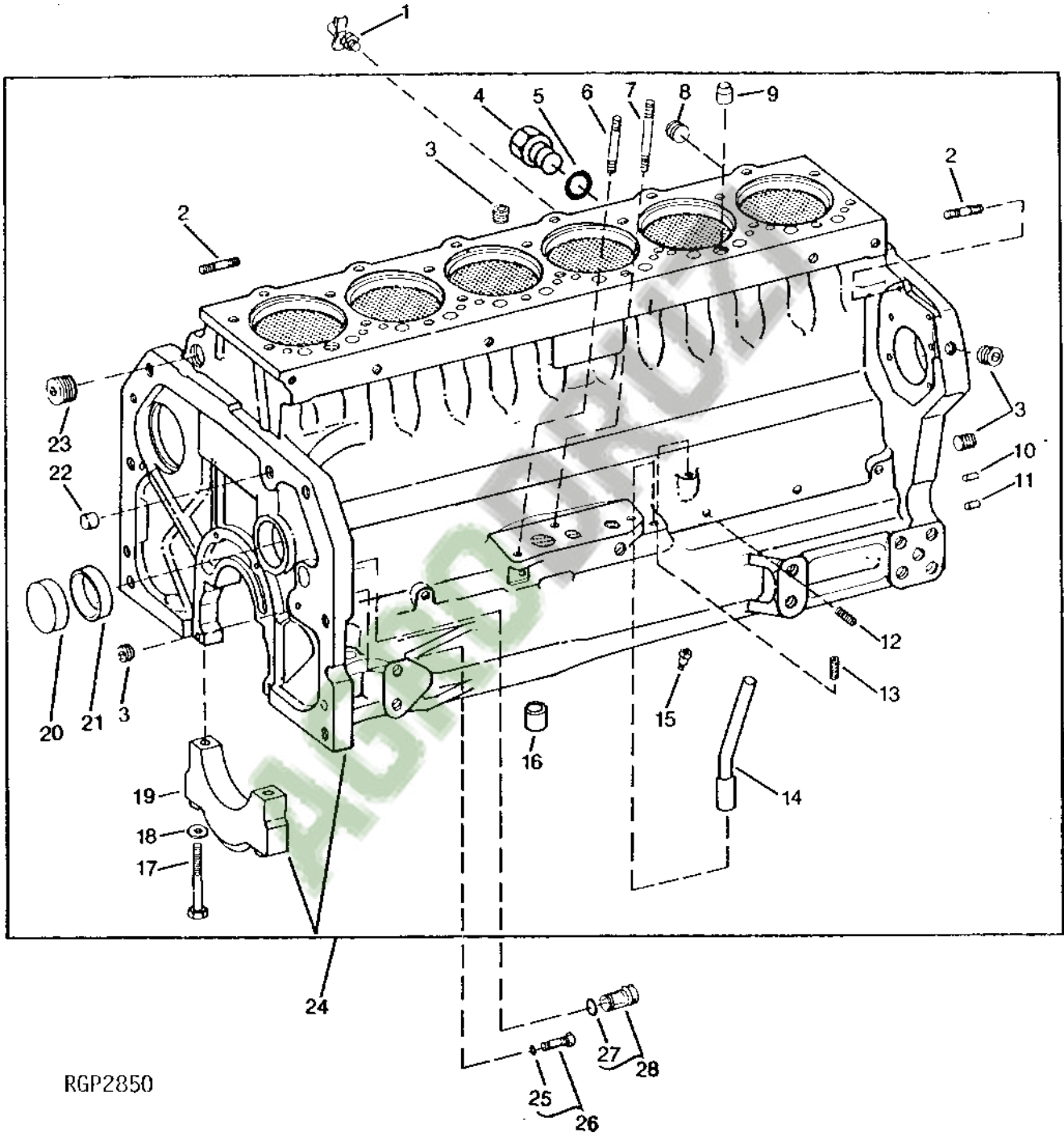
KEY	PART NO.	PART NAME	QTY	ENGINE SERIAL NO.	REMARKS
-----	----------	-----------	-----	-------------------	---------

AGRODRIVE

1D11

6076 ENGINE (ENGINE SERIAL NUMBER -499999)

CYLINDER BLOCK
(ENGINE SERIAL NO. -499999)
(WITHOUT HEAD BOLTS)
RGP2850 -UN-01JAN94



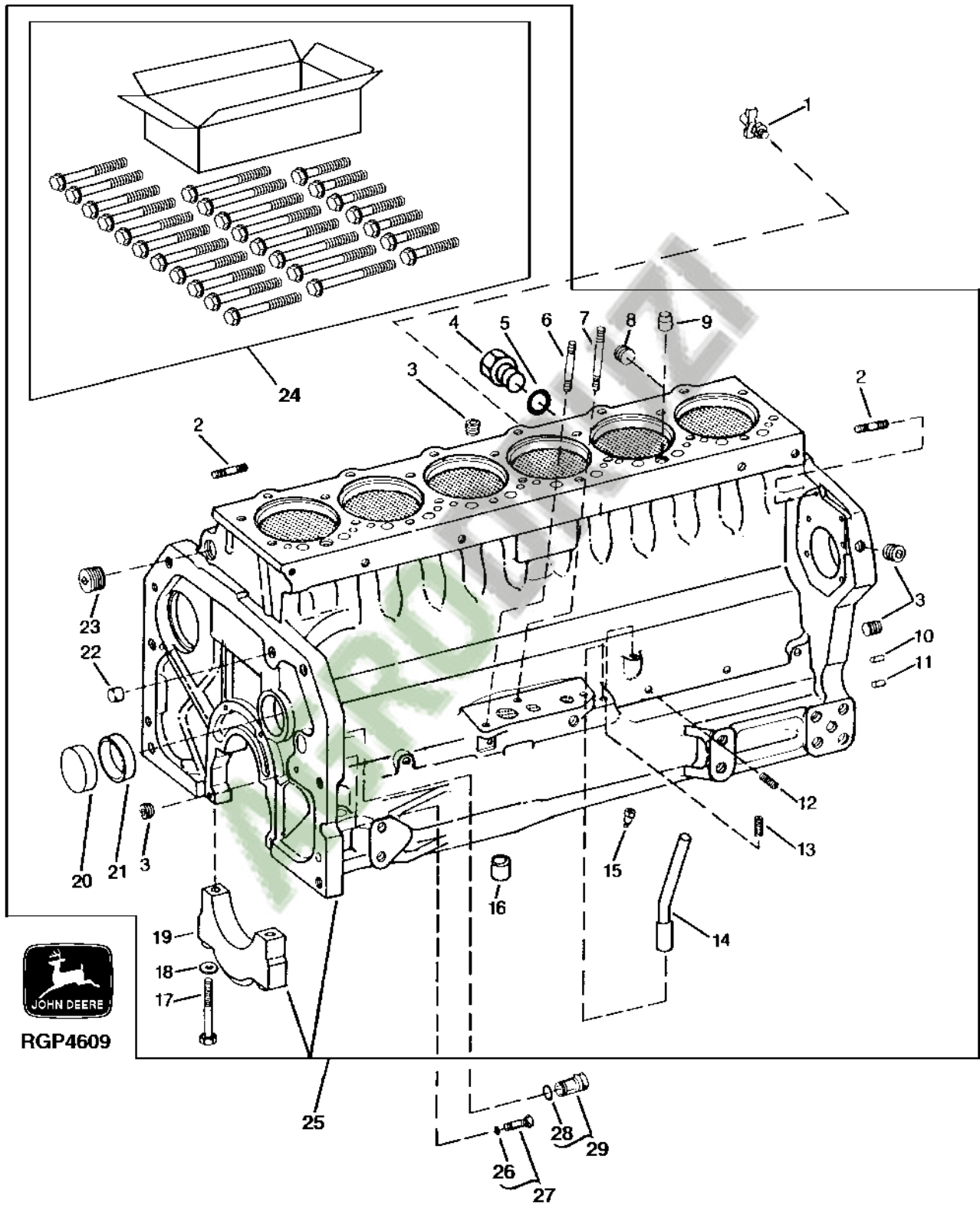
RGP2850

1D13

6076 ENGINE (ENGINE SERIAL NUMBER -499999)

CYLINDER BLOCK FITTINGS AND MAIN BEARING CAPS (WITH HEAD BOLTS)

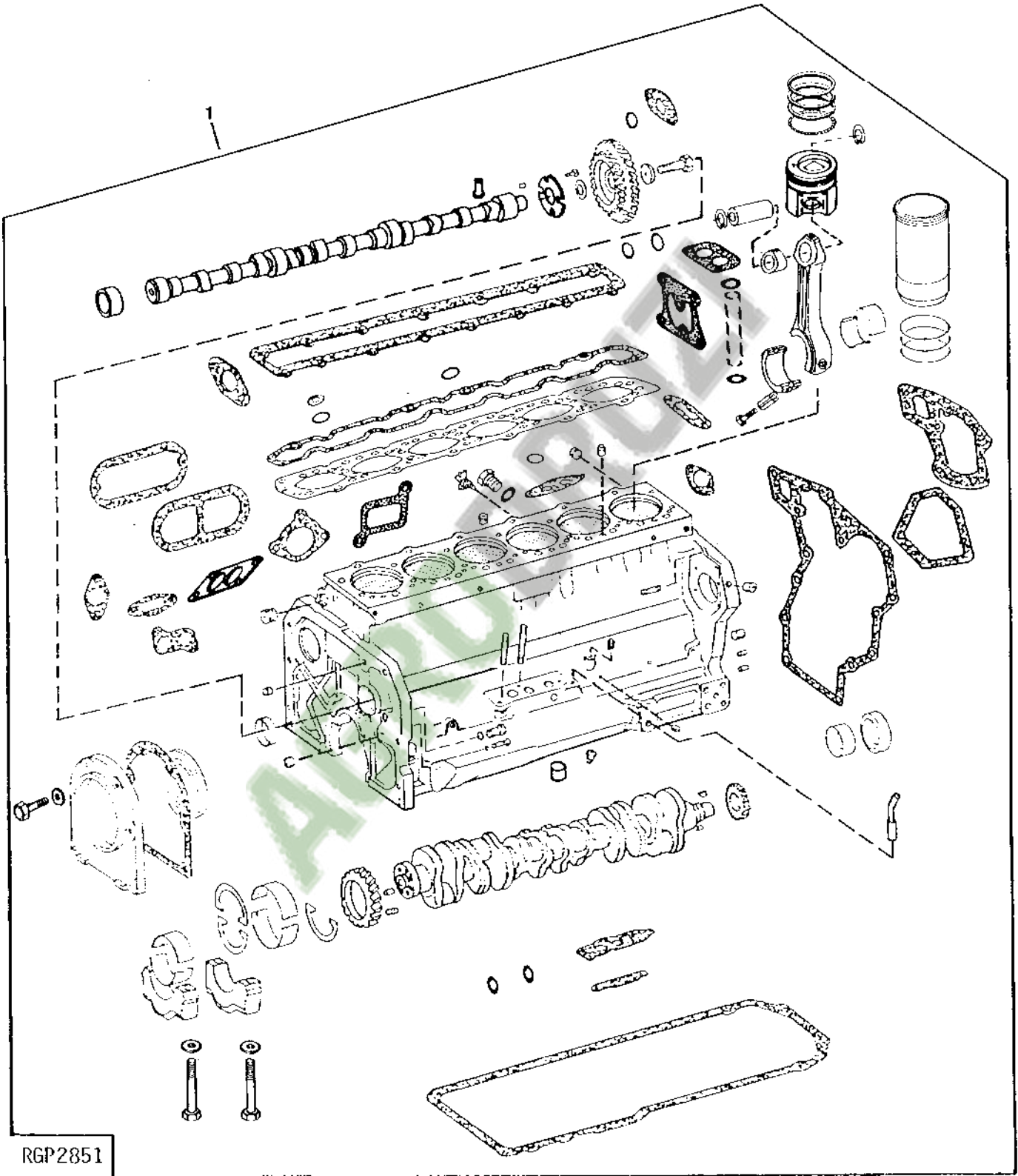
(ENGINE SERIAL NO. -499999)
RGP4609 -UN-30NOV95



1D15

6076 ENGINE (ENGINE SERIAL NUMBER -499999)

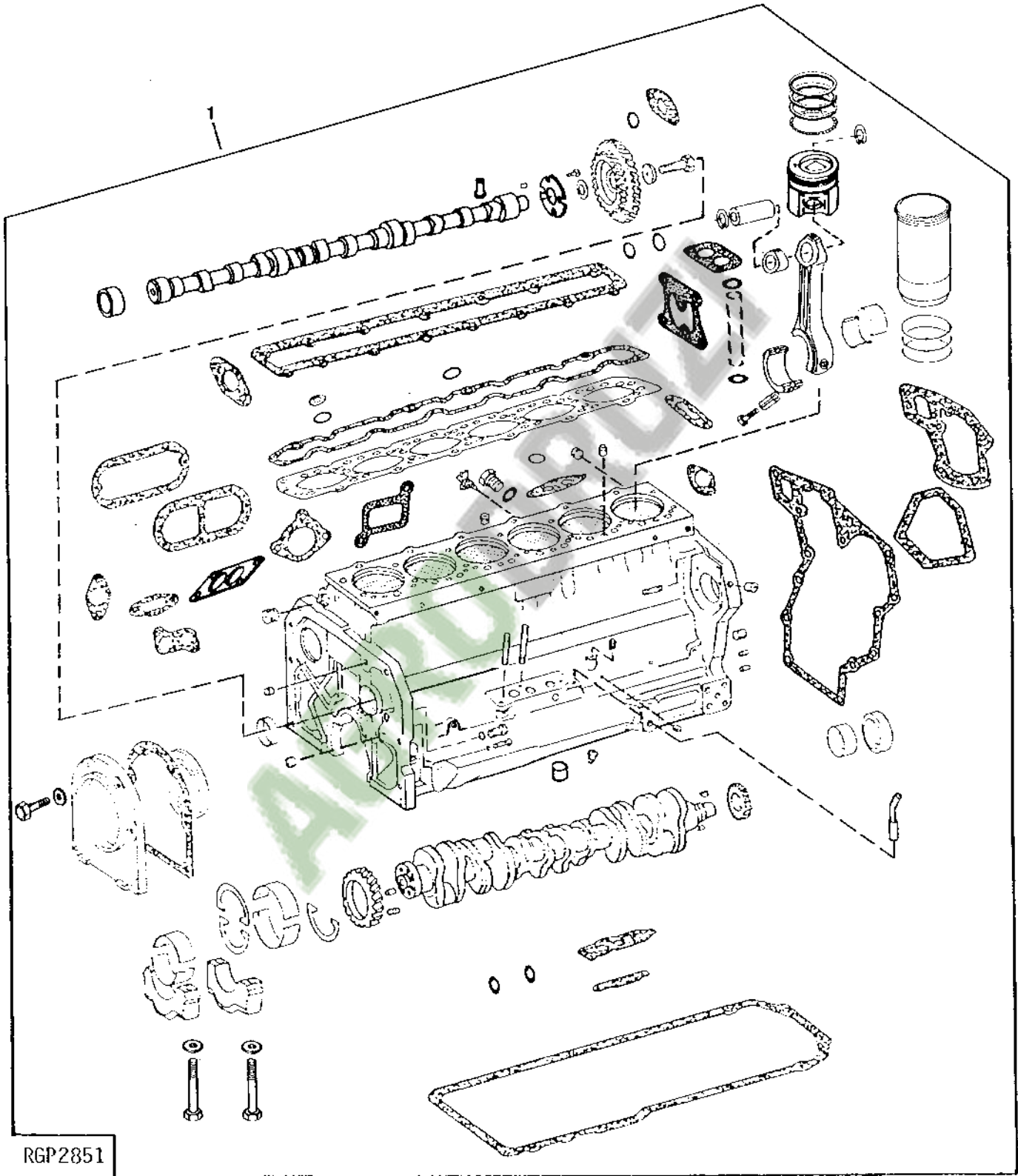
ENGINE SHORT BLOCK (WITHOUT HEAD BOLTS)
(ENGINE SERIAL NO. -499999)
(6076HH004 - OPT. HP) (6076TH001 - STD. HP - EARLY DESIGN)
RGP2851 -UN-01JAN94



1D17

6076 ENGINE (ENGINE SERIAL NUMBER -499999)

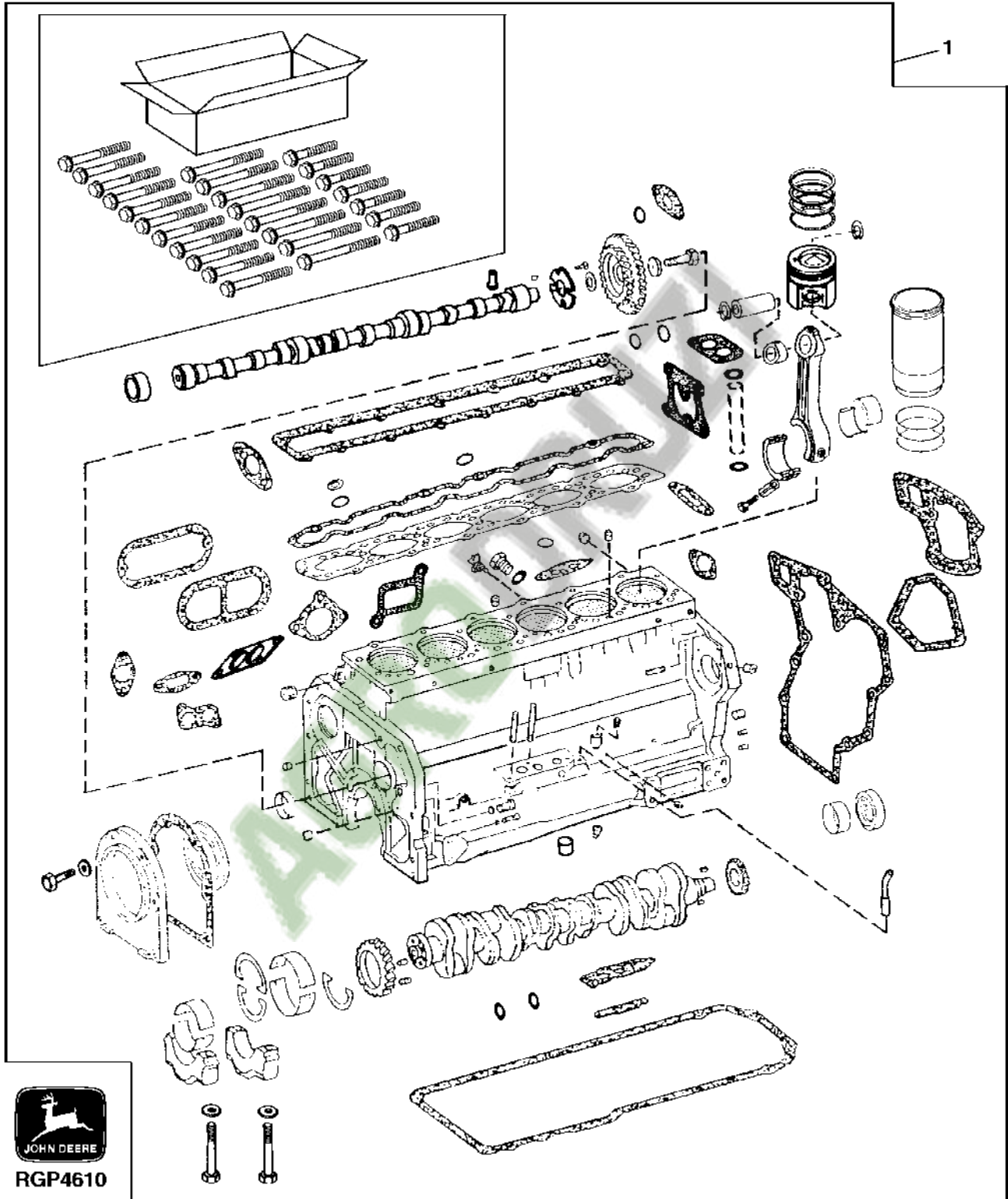
ENGINE SHORT BLOCK (WITHOUT HEAD BOLTS)
(6076HH003 - 215 HP) (STD. HP - LATE DESIGN)
(ENGINE SERIAL NO. -499999)
RGP2851 -UN-01JAN94



1D19

6076 ENGINE (ENGINE SERIAL NUMBER -499999)

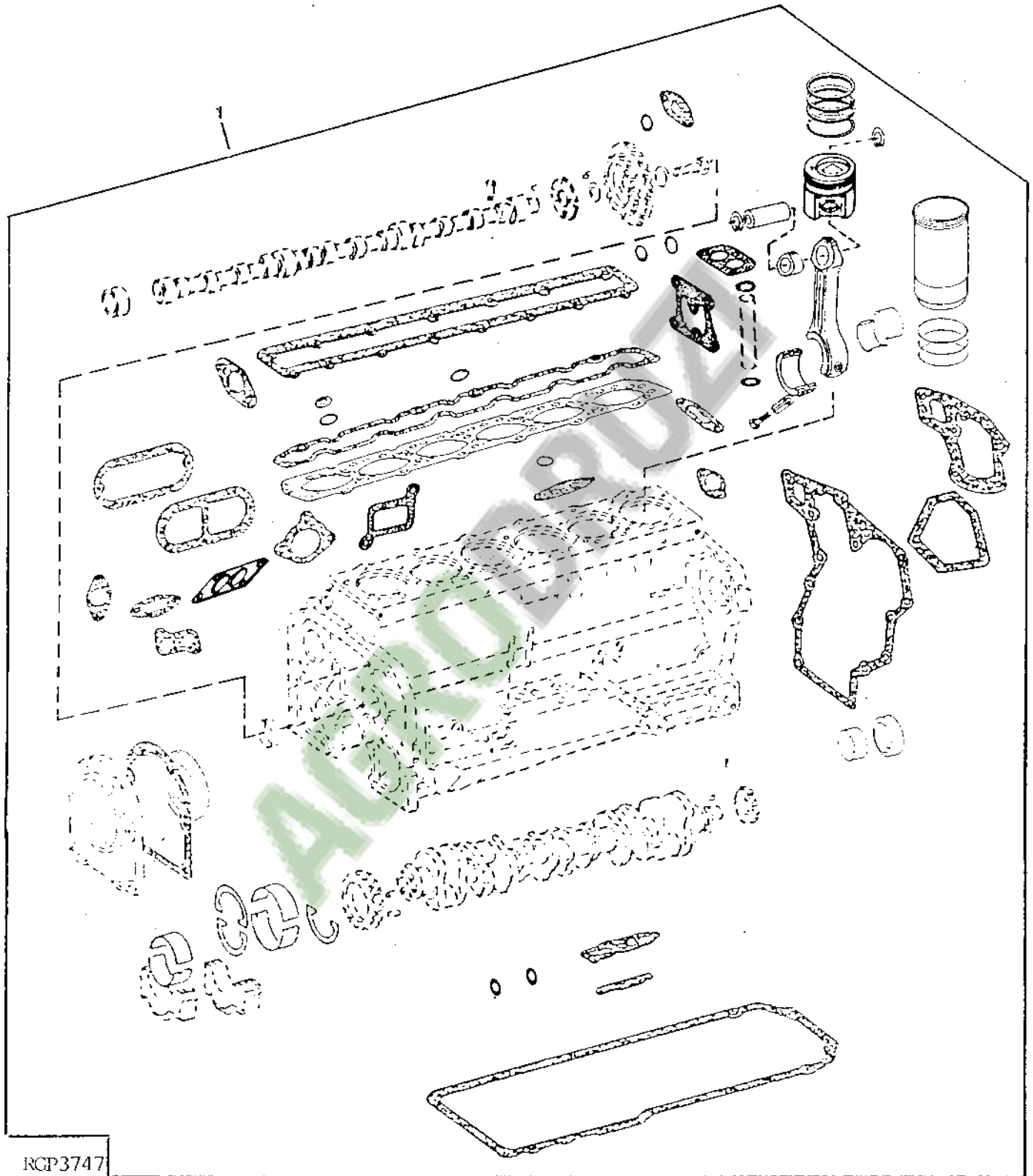
**ENGINE SHORT BLOCK
(WITH HEAD BOLTS)**
RGP4610 -UN-30NOV95



1D21

6076 ENGINE (ENGINE SERIAL NUMBER -499999)

ENGINE OVERHAUL KIT(S) (STD/US BEARINGS OR EXPANDED)
(ENGINE SERIAL NO. -499999)
RGP3747 -UN-01JAN94



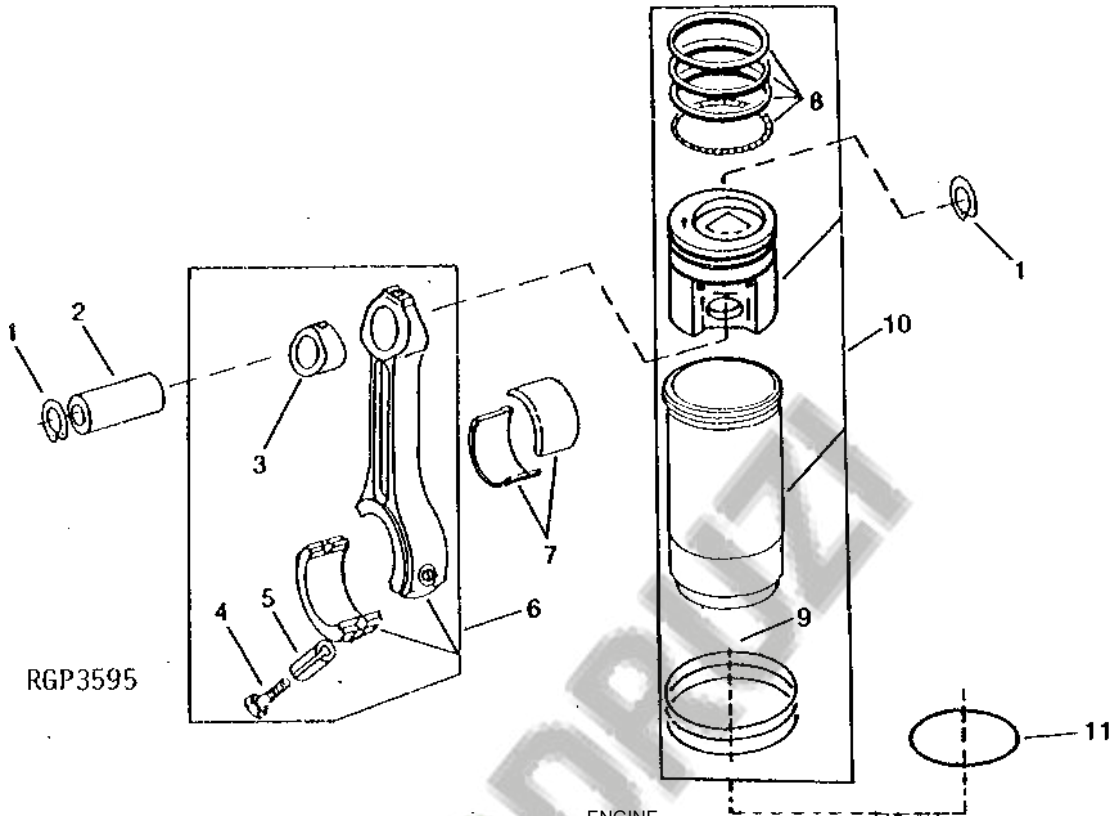
1D23

6076 ENGINE (ENGINE SERIAL NUMBER -499999)

PISTON, RINGS, LINERS AND CONNECTING RODS

(ENGINE SERIAL NO. -499999)

RGP3595 -UN-01JAN94



RGP3595

KEY	PART NO.	PART NAME	QTY	ENGINE SERIAL NO.	REMARKS
-----	----------	-----------	-----	-------------------	---------

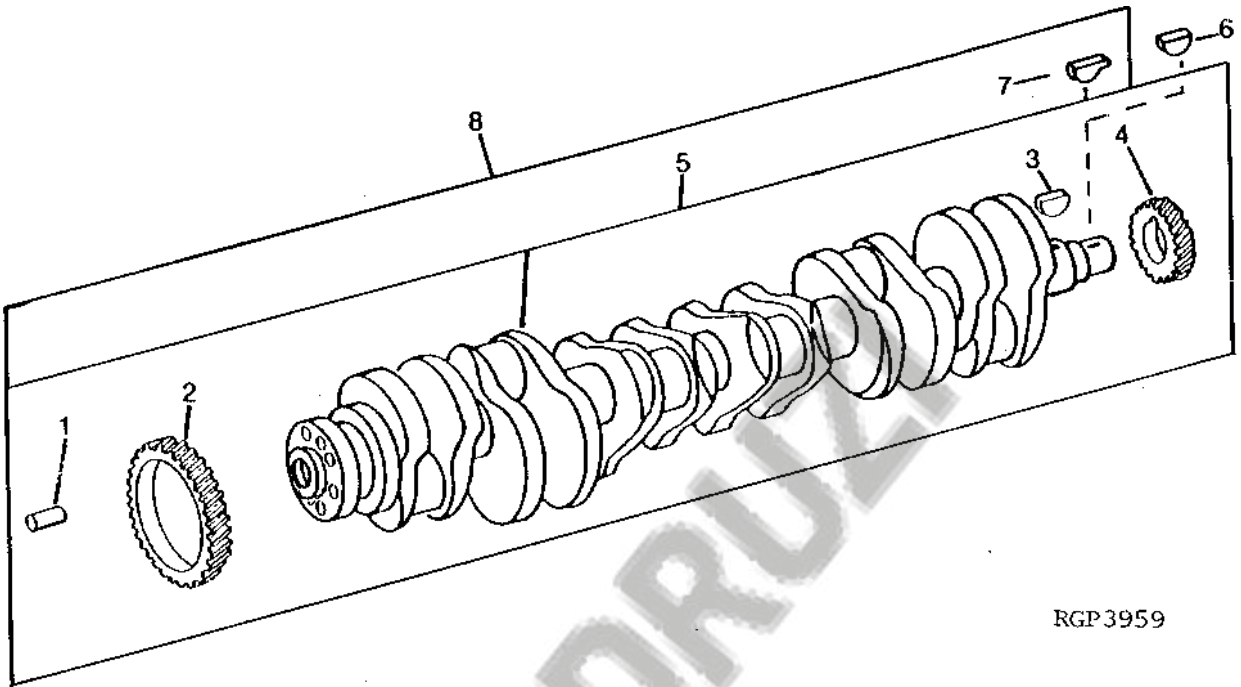
AGRODRILL

1D24

6076 ENGINE (ENGINE SERIAL NUMBER -499999)

CRANKSHAFT

(ENGINE SERIAL NO. -499999) (235HP/HH004 OR 253HP/HH001)
 (ENGINE SERIAL NO. -499999) (190HP) (EARLY DESIGN - STD. HP) (6076TH001)
 (USE WITH RE33390 CAMSHAFT GEAR)
 RGP3959 -UN-01JAN94



RGP3959

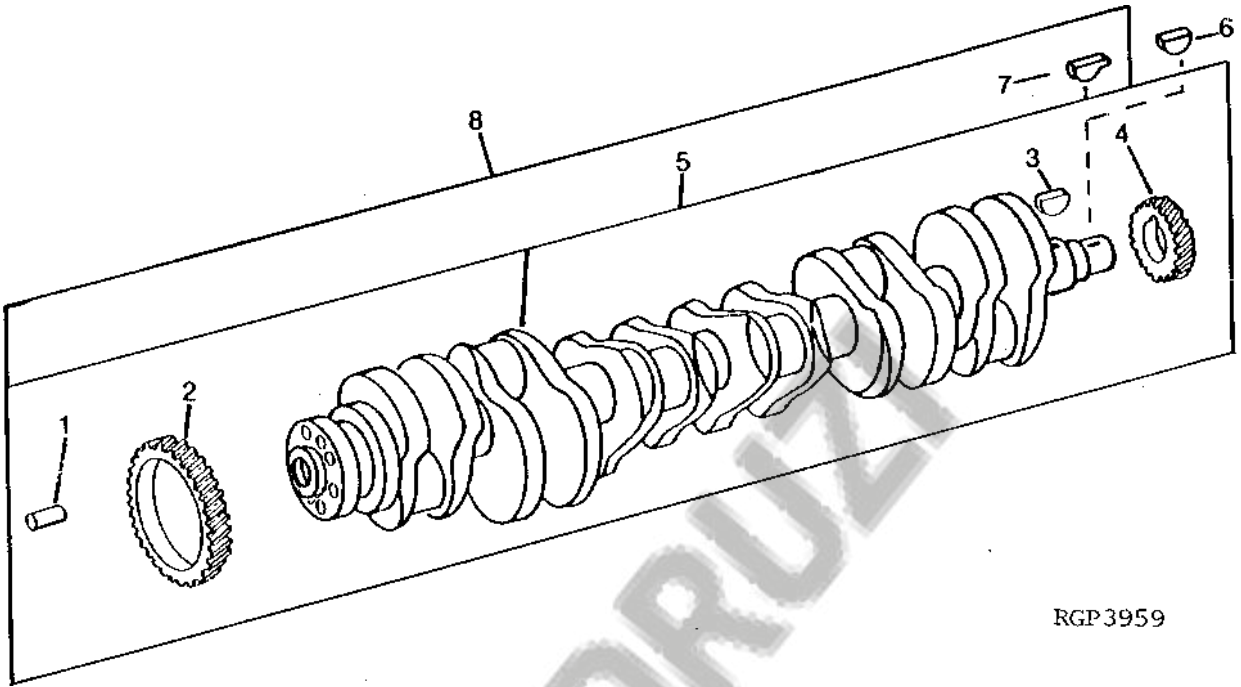
KEY	PART NO.	PART NAME	QTY	ENGINE SERIAL NO.	REMARKS
-----	----------	-----------	-----	-------------------	---------

AGRODRIVE

1D25

6076 ENGINE (ENGINE SERIAL NUMBER -499999)

CRANKSHAFT
 (ENGINE SERIAL NO. -499999) (215HP) (LATE DESIGN-STD HP) (6076HH003)
 (USE WITH RE27839 CAMSHAFT GEAR)
 RGP3959 -UN-01JAN94



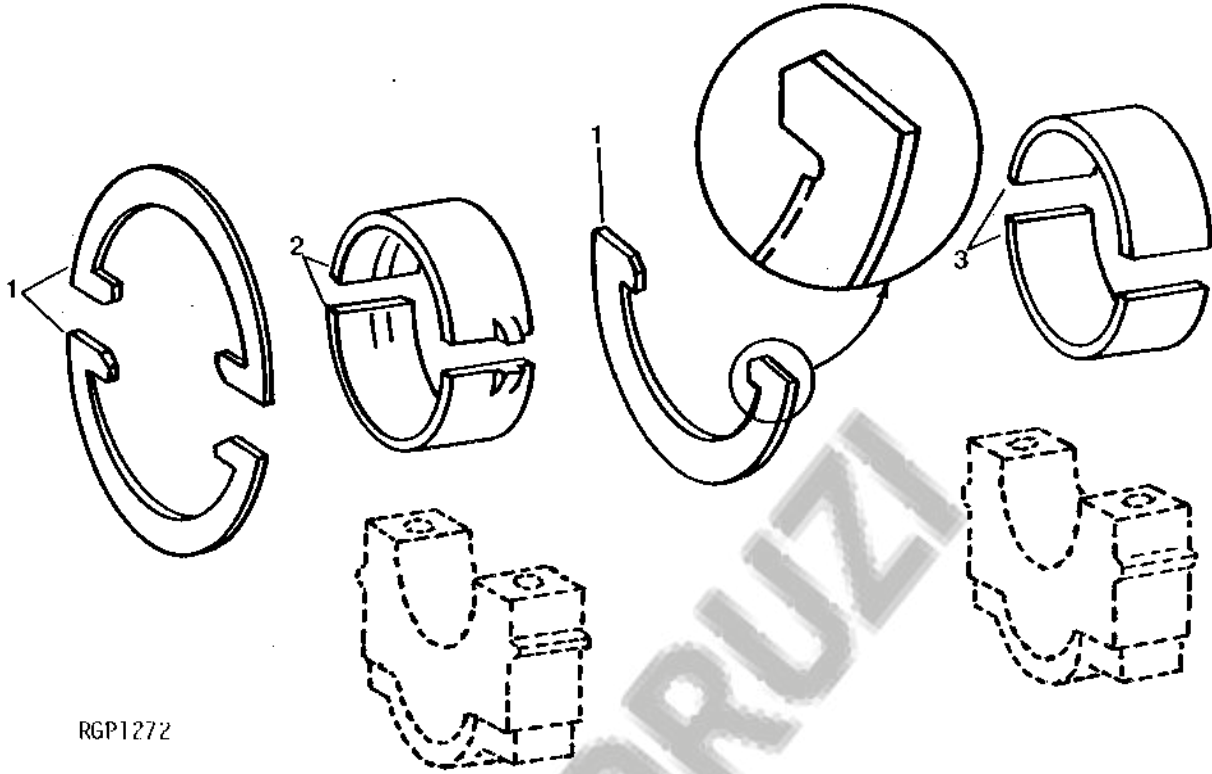
RGP3959

KEY	PART NO.	PART NAME	QTY	ENGINE SERIAL NO.	REMARKS
-----	----------	-----------	-----	-------------------	---------

AGRODRUZE

MAIN AND MAIN THRUST BEARINGS

RGP1272 -UN-01JAN94



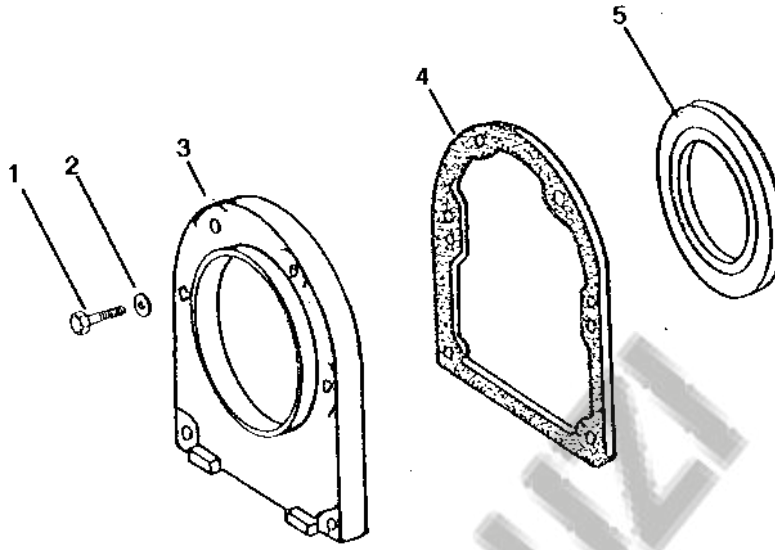
RGP1272

KEY	PART NO.	PART NAME	QTY	ENGINE SERIAL NO.	REMARKS
-----	----------	-----------	-----	-------------------	---------

AGRODRUZI

CRANKSHAFT OIL SEAL AND HOUSING

RGP2382 -UN-01JAN94



RGP2382

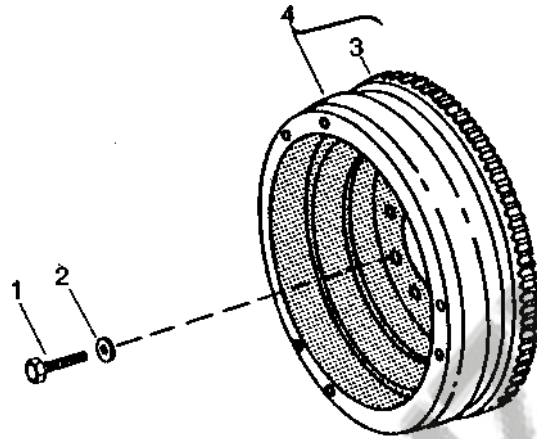
KEY	PART NO.	PART NAME	QTY	ENGINE SERIAL NO.	REMARKS
-----	----------	-----------	-----	-------------------	---------

AGRO DRUZ

1E3

6076 ENGINE (ENGINE SERIAL NUMBER -499999)

FLYWHEEL
RGP198 -UN-01JAN94

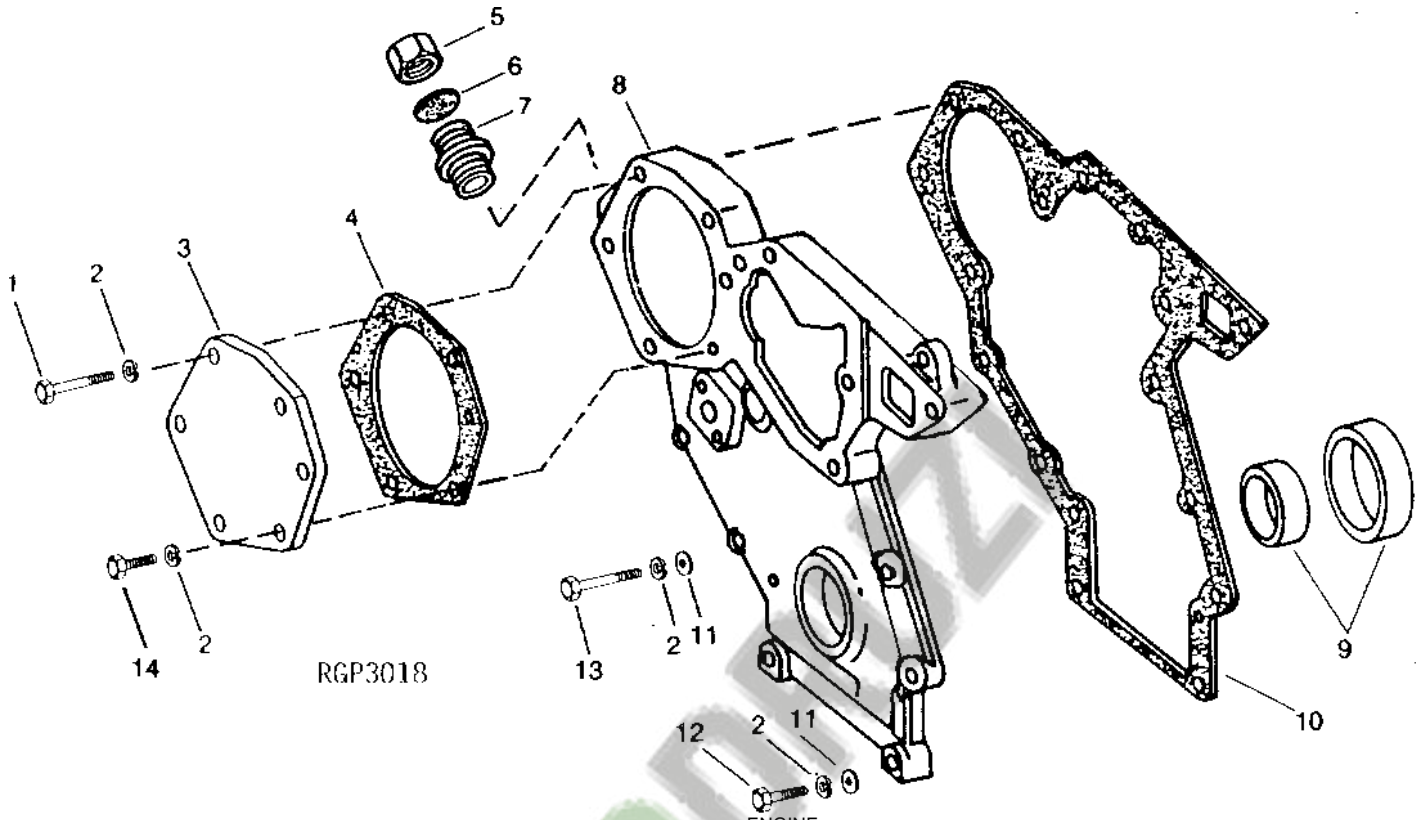


RGP198

KEY	PART NO.	PART NAME	QTY	ENGINE SERIAL NO.	REMARKS
-----	----------	-----------	-----	-------------------	---------

AGRODRUZI

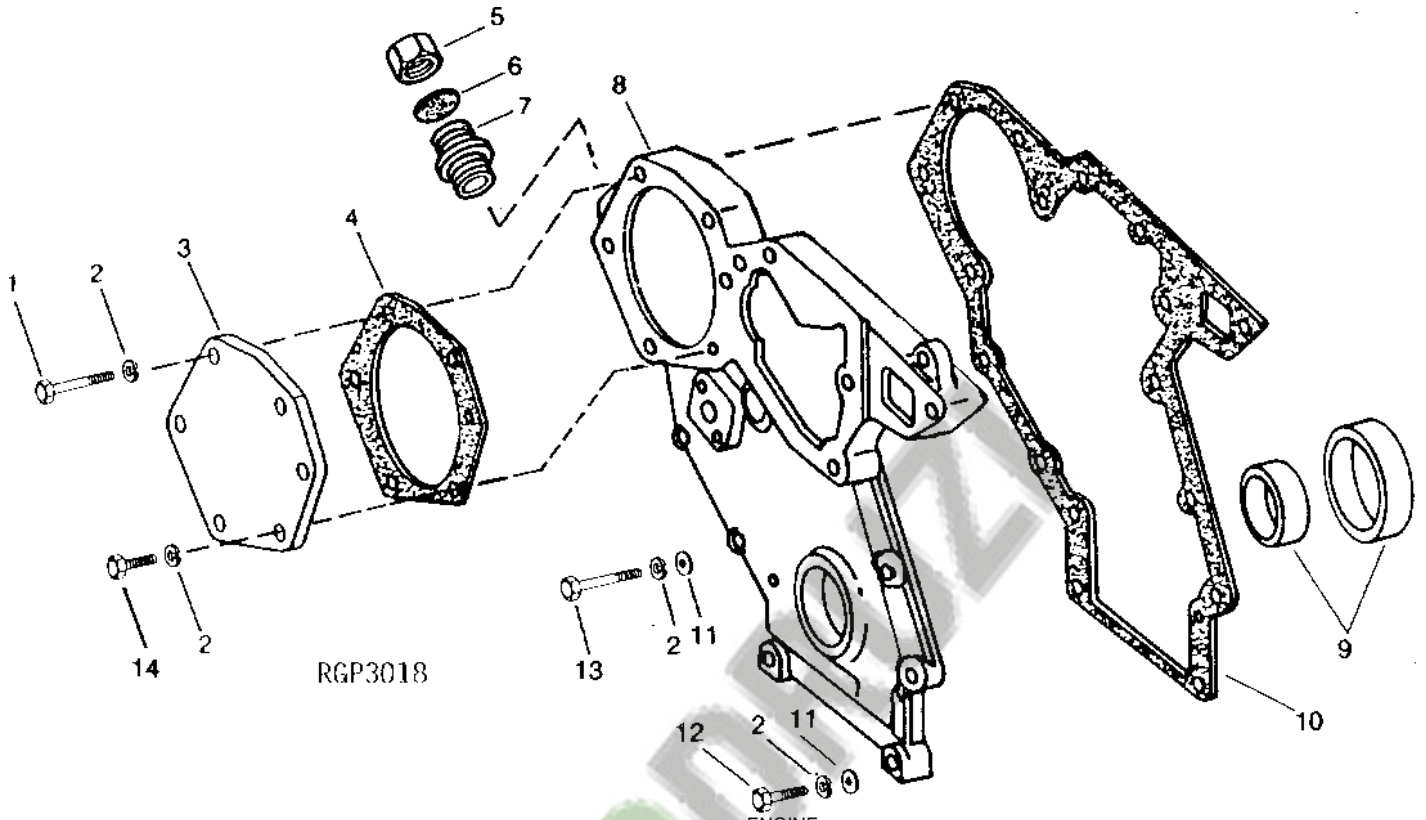
TIMING GEAR COVER AND FRONT OIL SEAL
(215HP) (6076HH003) (NARROW GEAR TRAIN)
(ENGINE SERIAL NO. -499999)
 RGP3018 -UN-01JAN94



KEY	PART NO.	PART NAME	QTY	ENGINE SERIAL NO.	REMARKS
-----	----------	-----------	-----	-------------------	---------

AGRO

TIMING GEAR COVER AND FRONT OIL SEAL
 (ENGINE SERIAL NO. -499999) (WIDE GEAR TRAIN)
 (190HP/TH001, 235HP/HH001 OR 253HP/HH001)
 RGP3018 -UN-01JAN94



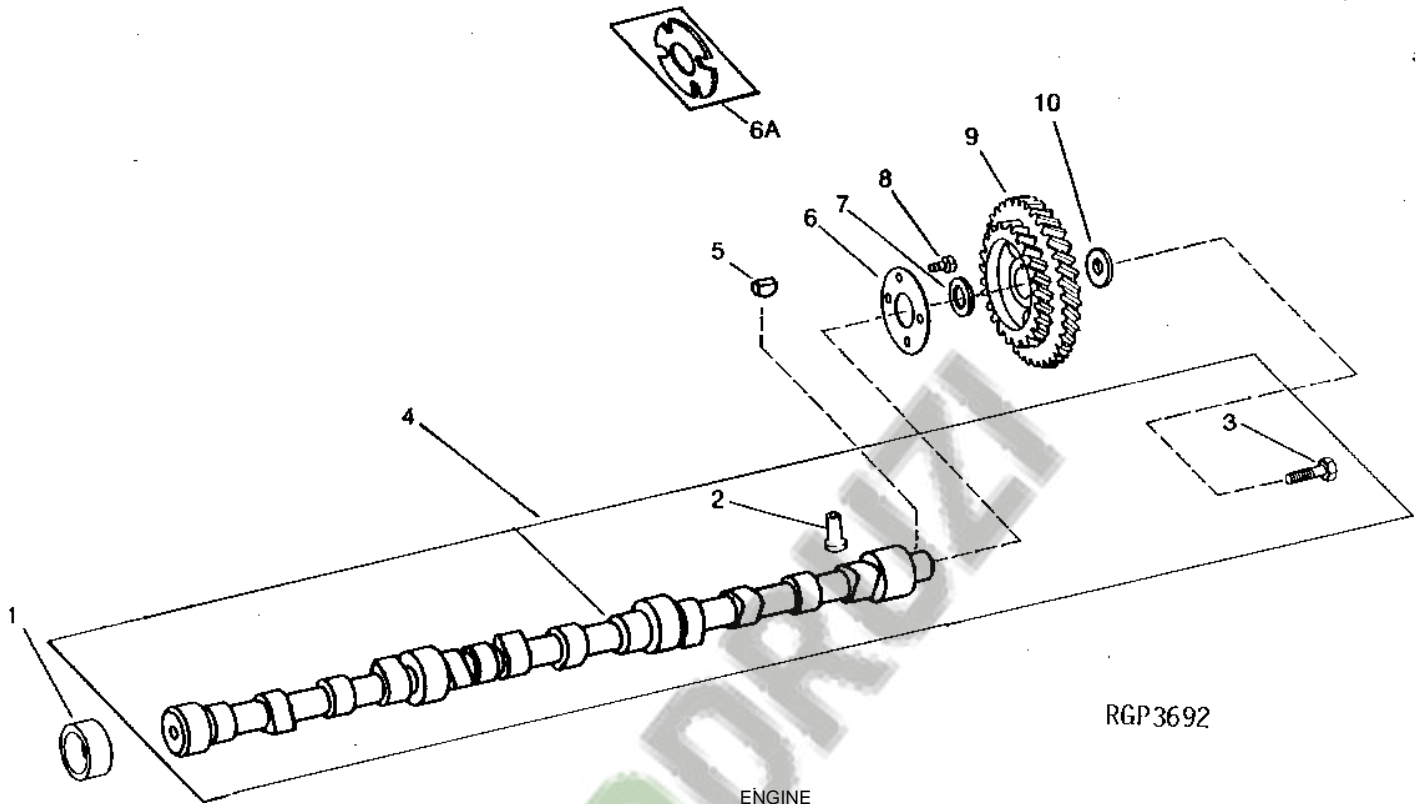
KEY	PART NO.	PART NAME	QTY	ENGINE SERIAL NO.	REMARKS
-----	----------	-----------	-----	-------------------	---------

AGRO

1E6

6076 ENGINE (ENGINE SERIAL NUMBER -499999)

CAMSHAFT AND GEAR (USE W/R86565 GEAR (35MM WIDE)/RE53201 CRANKSHAFT)
 (ENGINE SERIAL NO. -499999) (WIDE GEAR TRAIN)
 (190HP/TH001, 235HP/HH004 OR 253HP/HH001)
 RGP3692 -UN-01JAN94



RGP3692

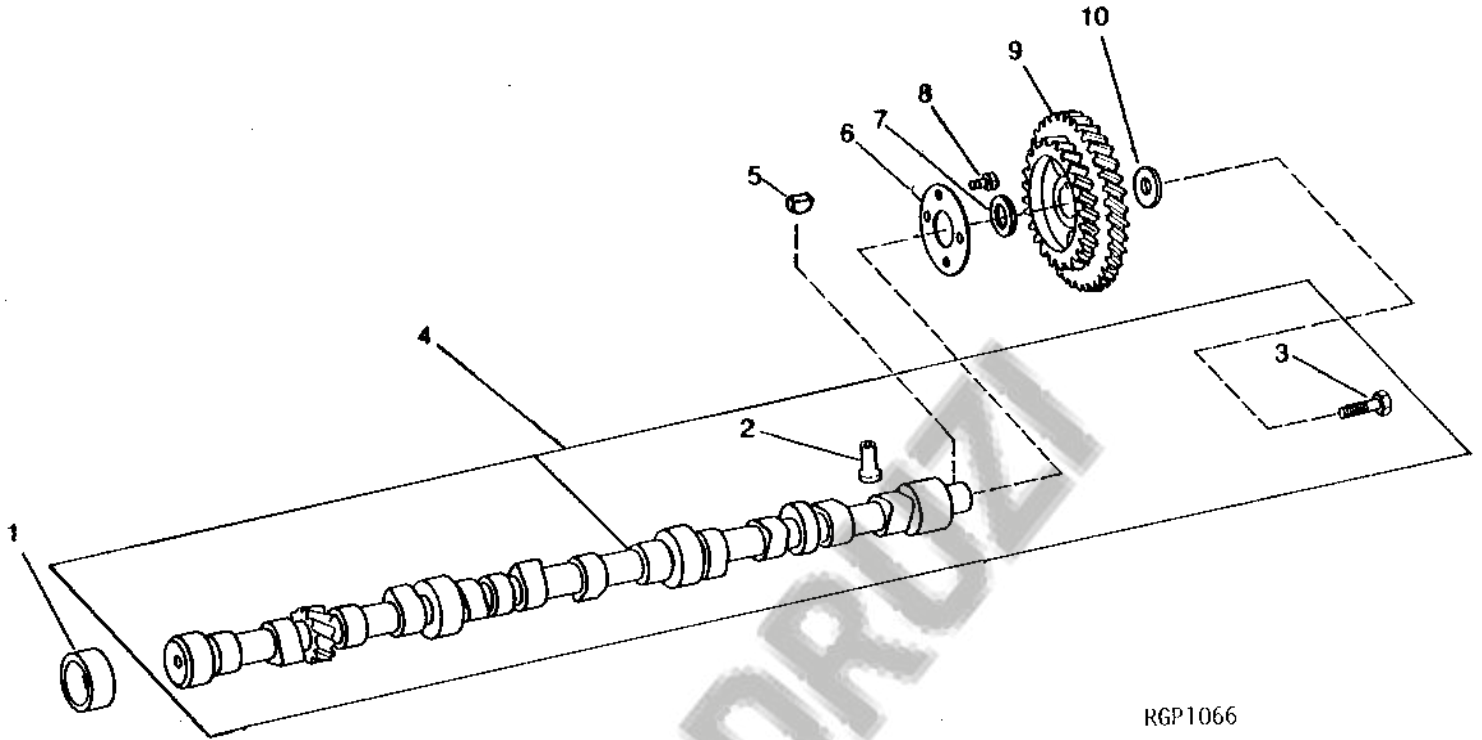
KEY	PART NO.	PART NAME	QTY	ENGINE SERIAL NO.	REMARKS
-----	----------	-----------	-----	-------------------	---------

AGRO DRAMA

1E7

6076 ENGINE (ENGINE SERIAL NUMBER -499999)

CAMSHAFT AND GEAR (USE W/R105488 GEAR (23MM WIDE)/RE53422 CRANKSHAFT)
(6076HH003) (NARROW GEAR TRAIN)
(ENGINE SERIAL NO. -499999) (215HP)
RGP1066 -UN-01JAN94



RGP1066

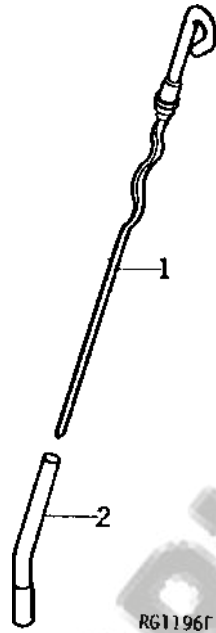
KEY	PART NO.	PART NAME	QTY	ENGINE SERIAL NO.	REMARKS
-----	----------	-----------	-----	-------------------	---------

AGRO DRAFT

1E8

6076 ENGINE (ENGINE SERIAL NUMBER -499999)

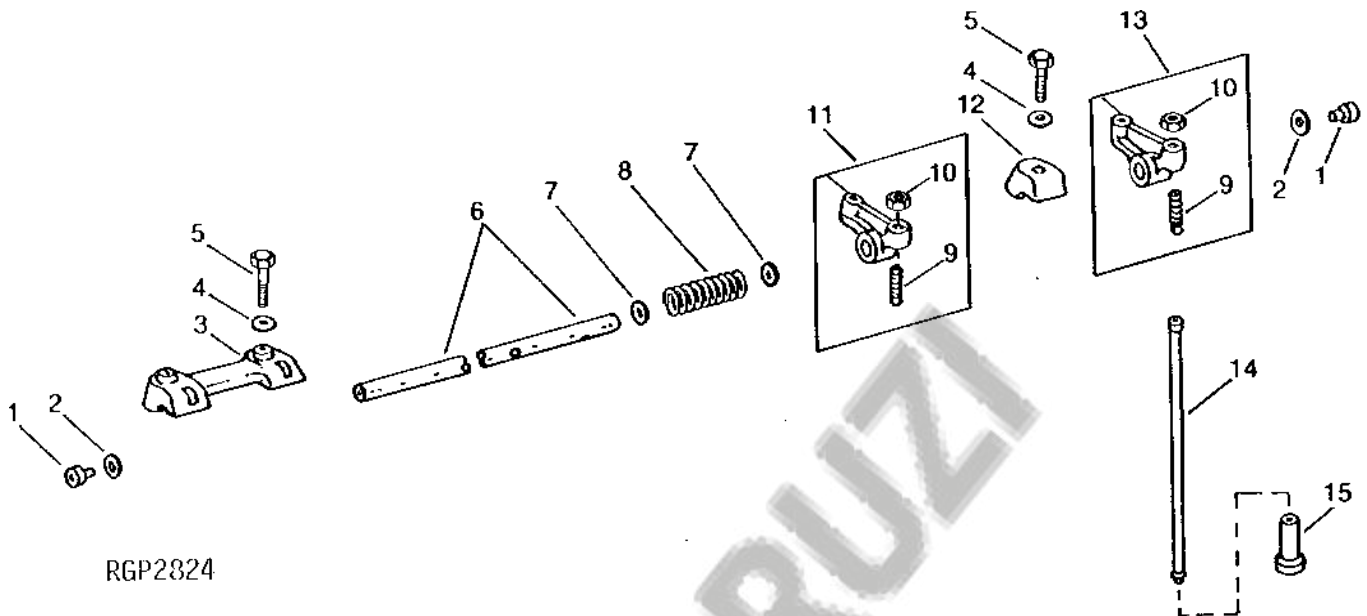
ENGINE OIL DIPSTICK AND TUBE
(ENGINE SERIAL NO. -499999)
RG1196 -UN-01JAN94



KEY	PART NO.	PART NAME	QTY	ENGINE SERIAL NO.	REMARKS
-----	----------	-----------	-----	-------------------	---------

AGRODRUZI

ROCKER ARMS, SHAFT AND PUSH RODS
 (ENGINE SERIAL NO. -499999)
 RGP2824 -UN-01JAN94



RGP2824

KEY	PART NO.	PART NAME	QTY	ENGINE SERIAL NO.	REMARKS
-----	----------	-----------	-----	-------------------	---------

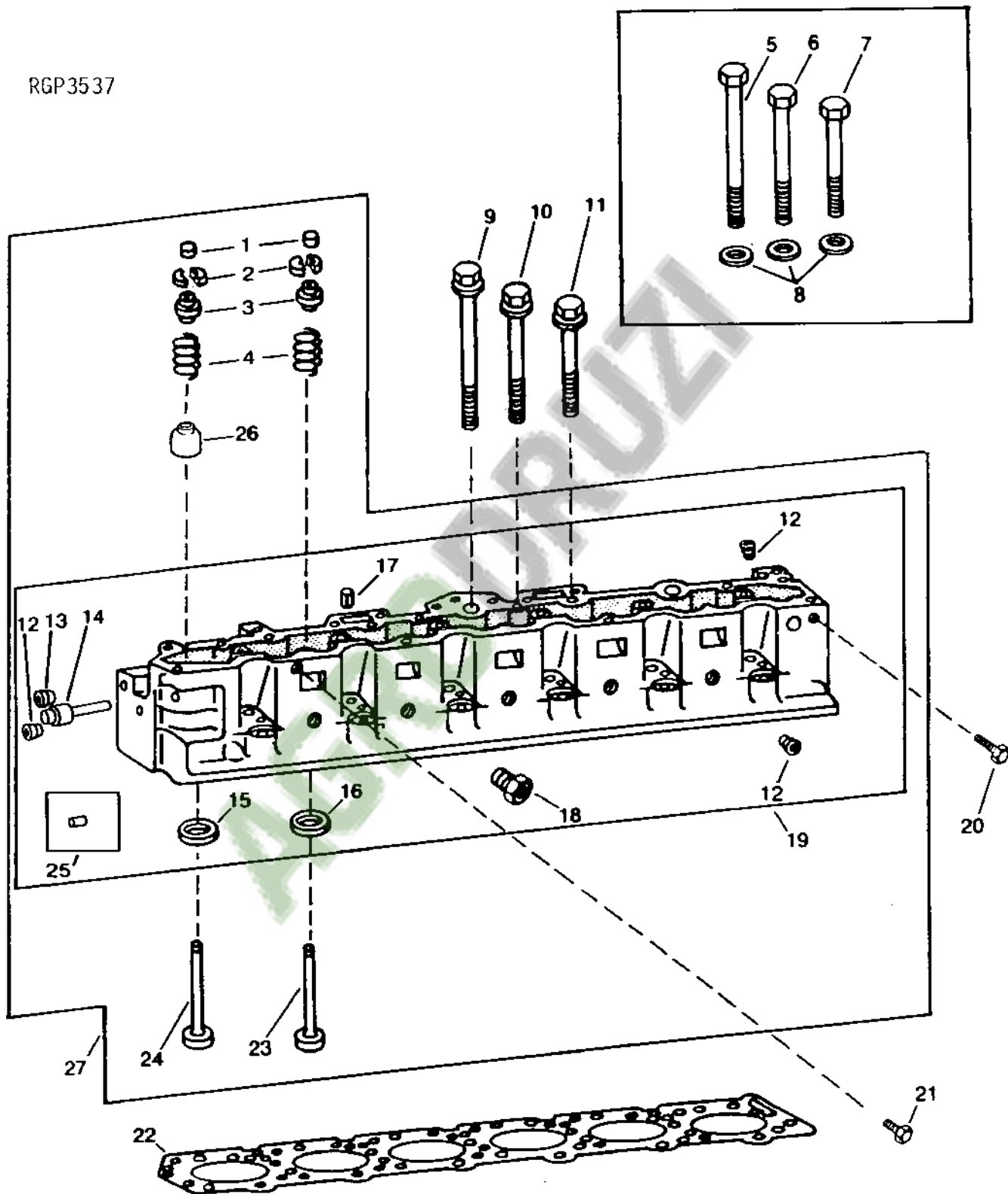
AGRO DRUZI

1E10

6076 ENGINE (ENGINE SERIAL NUMBER -499999)

CYLINDER HEAD AND VALVES
(ENGINE SERIAL NO. -499999)
RGP3537 -UN-01JAN94

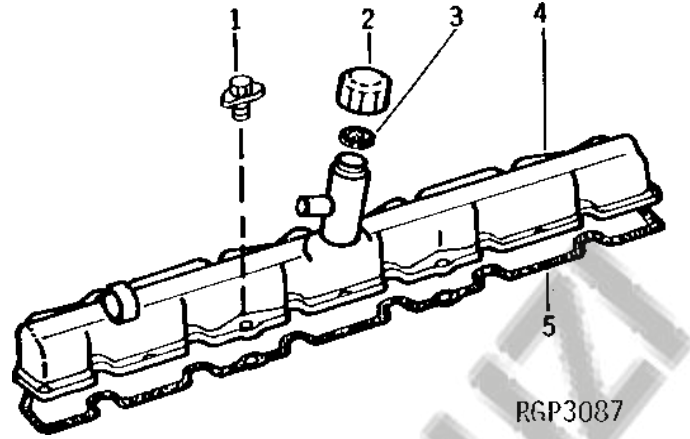
RGP3537



1E12

6076 ENGINE (ENGINE SERIAL NUMBER -499999)

ROCKER ARM COVER
RGP3087 -UN-01JAN94



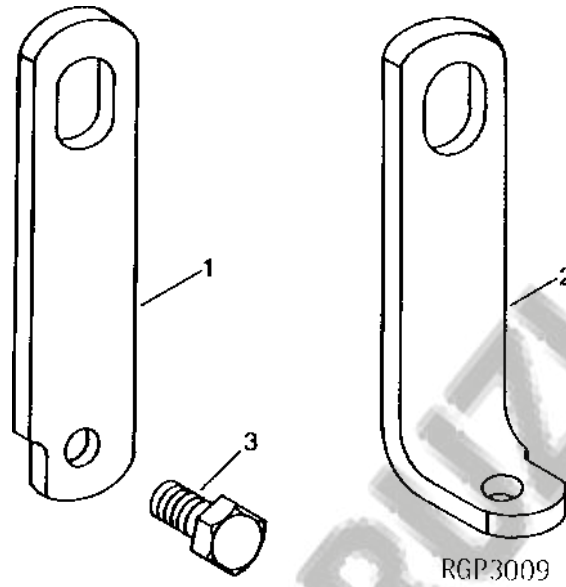
KEY	PART NO.	PART NAME	QTY	ENGINE SERIAL NO.	REMARKS
-----	----------	-----------	-----	-------------------	---------

AGRODRU

1E13

6076 ENGINE (ENGINE SERIAL NUMBER -499999)

LIFT STRAPS
(ENGINE SERIAL NO. -499999)
RGP3009 -UN-01JAN94



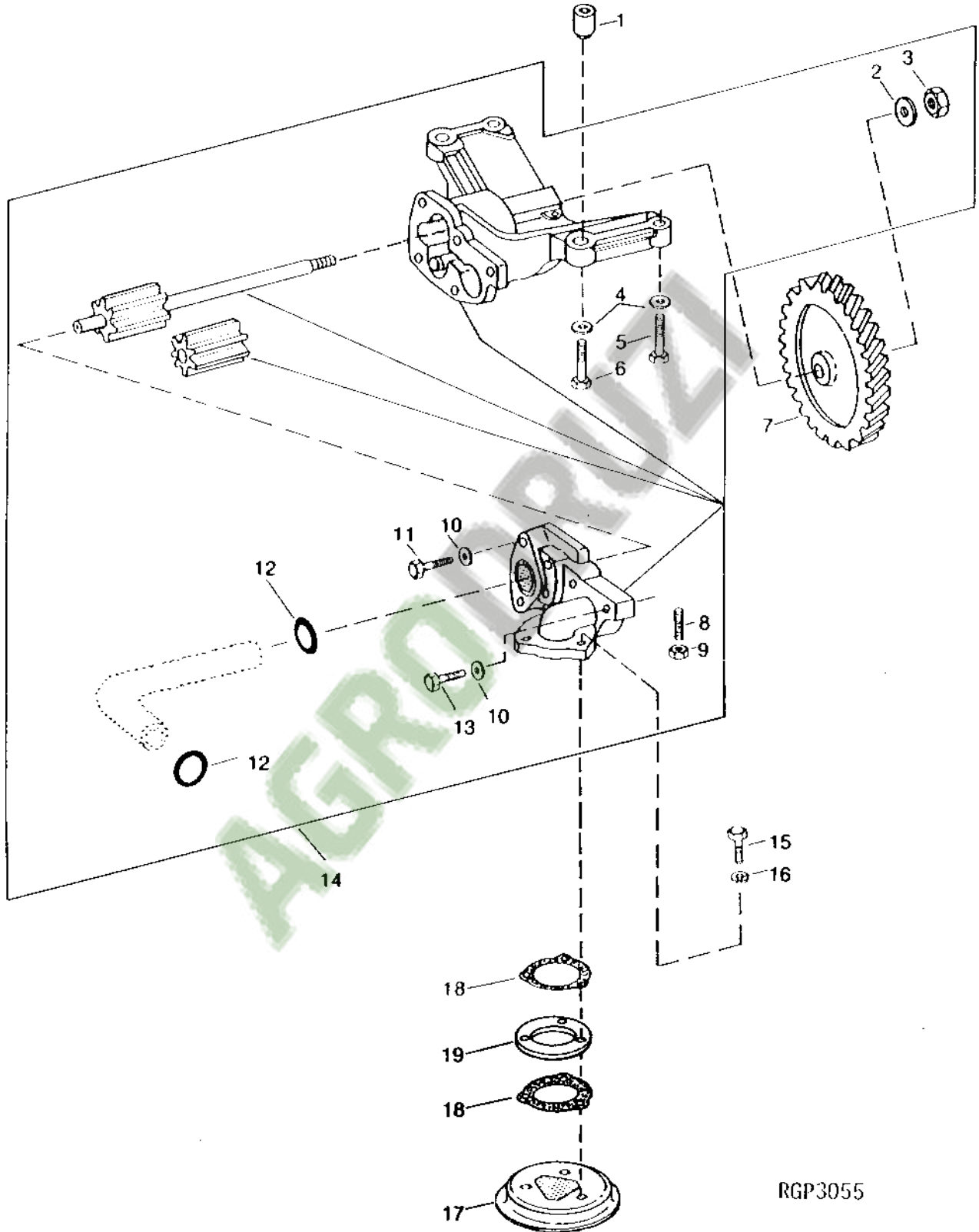
KEY	PART NO.	PART NAME	QTY	ENGINE SERIAL NO.	REMARKS
-----	----------	-----------	-----	-------------------	---------

AGRO DRILL

1E14

6076 ENGINE (ENGINE SERIAL NUMBER -499999)

OIL PUMP (EARLY DESIGN)
(ENGINE SERIAL NO. -499999)
RGP3055 -UN-01JAN94

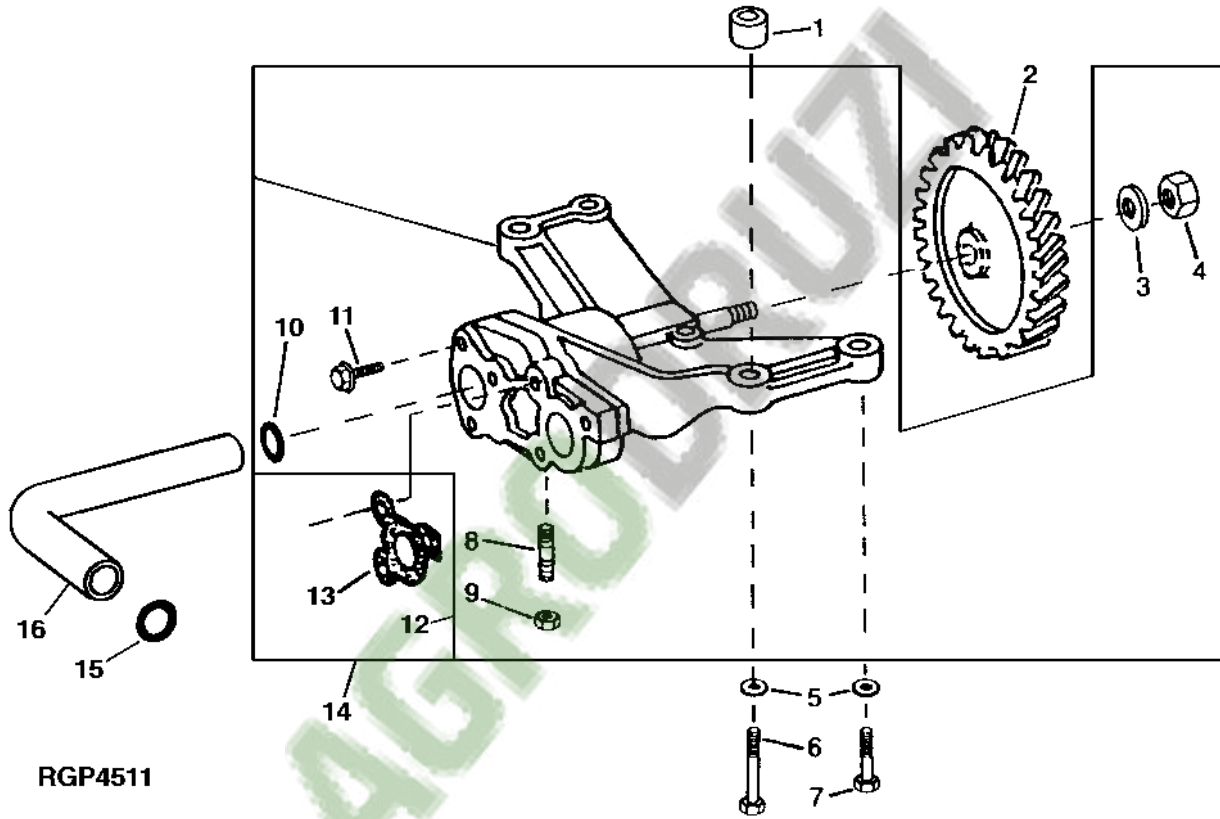


RGP3055

1E16

6076 ENGINE (ENGINE SERIAL NUMBER -499999)

ENGINE OIL PUMP (LATE DESIGN)
(ENGINE SERIAL NO. -499999)
RGP4511 -UN-16JUN95

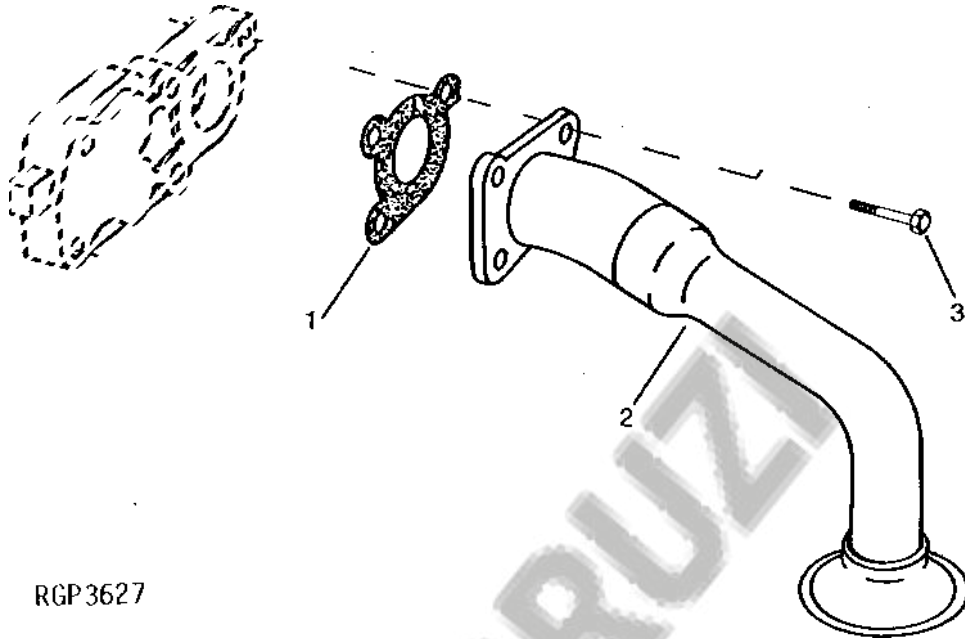


RGP4511

1E18

6076 ENGINE (ENGINE SERIAL NUMBER -499999)

ENGINE OIL PUMP INTAKE
(ENGINE SERIAL NO. -499999)
RGP3627 -UN-01JAN94



RGP3627

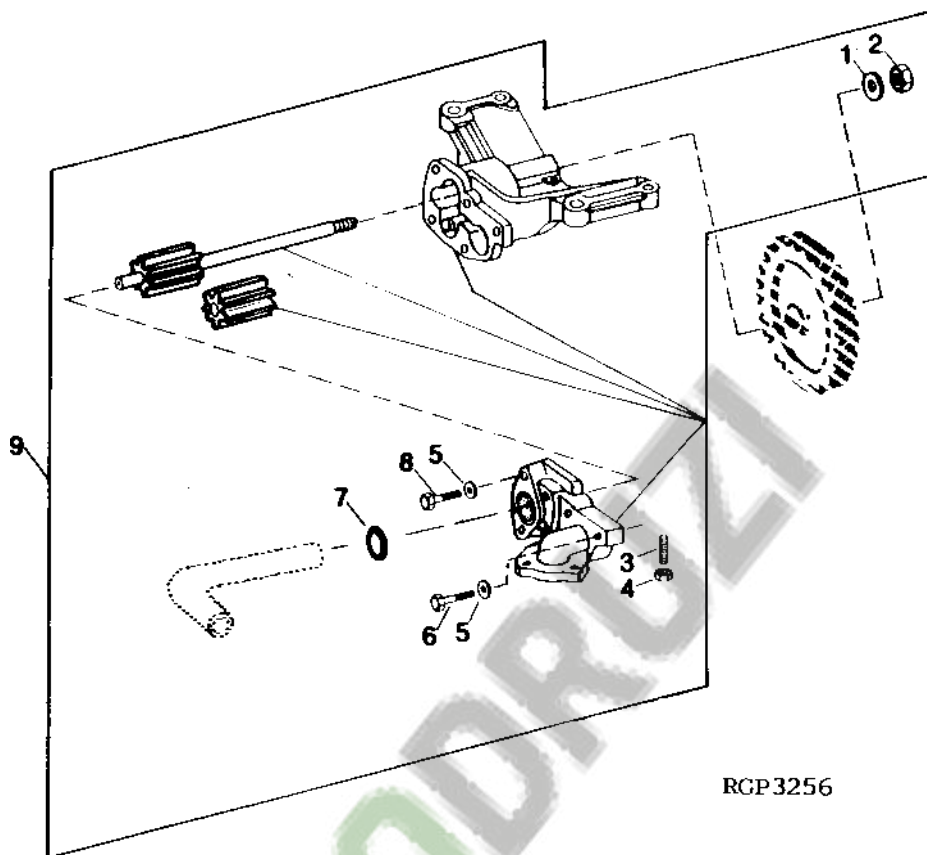
KEY	PART NO.	PART NAME	QTY	ENGINE SERIAL NO.	REMARKS
-----	----------	-----------	-----	-------------------	---------

AGRO DRUZ

1E19

6076 ENGINE (ENGINE SERIAL NUMBER -499999)

REPLACEMENT ENGINE OIL PUMP
 (ENGINE SERIAL NO. -499999)
 RGP3256 -UN-20OCT94



RGP3256

KEY	PART NO.	PART NAME	QTY	ENGINE SERIAL NO.	REMARKS
-----	----------	-----------	-----	-------------------	---------

AGRODRIVE

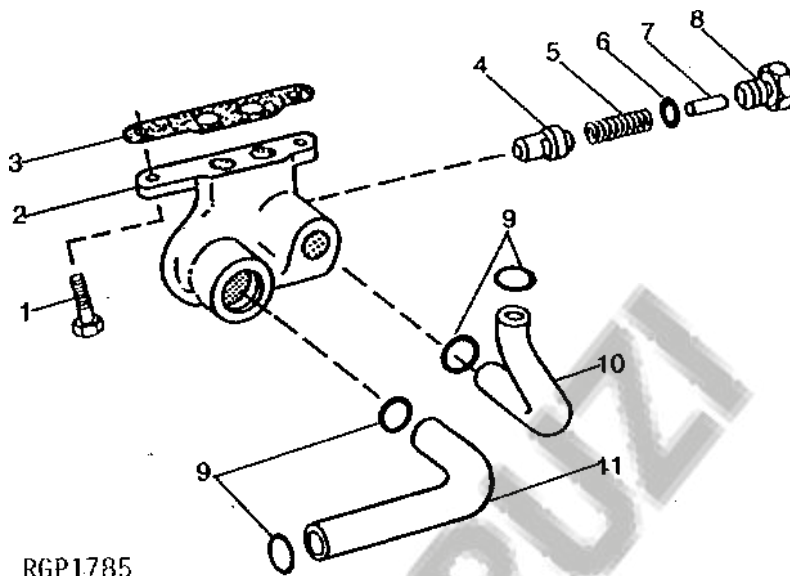
1E20

6076 ENGINE (ENGINE SERIAL NUMBER -499999)

ENGINE OIL COOLER BYPASS VALVE

(ENGINE SERIAL NO. -156313)

RGP1785 -UN-01JAN94



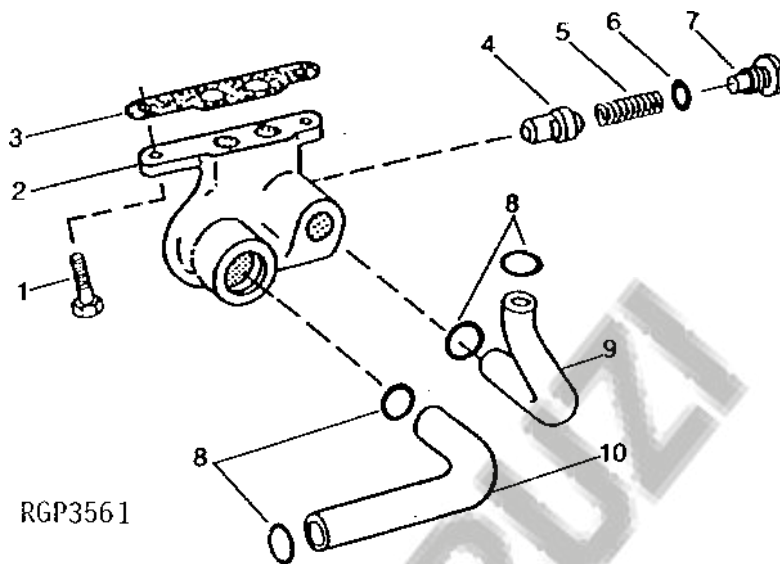
KEY	PART NO.	PART NAME	QTY	ENGINE SERIAL NO.	REMARKS
-----	----------	-----------	-----	-------------------	---------

AGRO DRUZI

1E21

6076 ENGINE (ENGINE SERIAL NUMBER -499999)

ENGINE OIL COOLER BYPASS VALVE
(ENGINE SERIAL NO. 156314-499999)
RGP3561 -UN-01JAN94



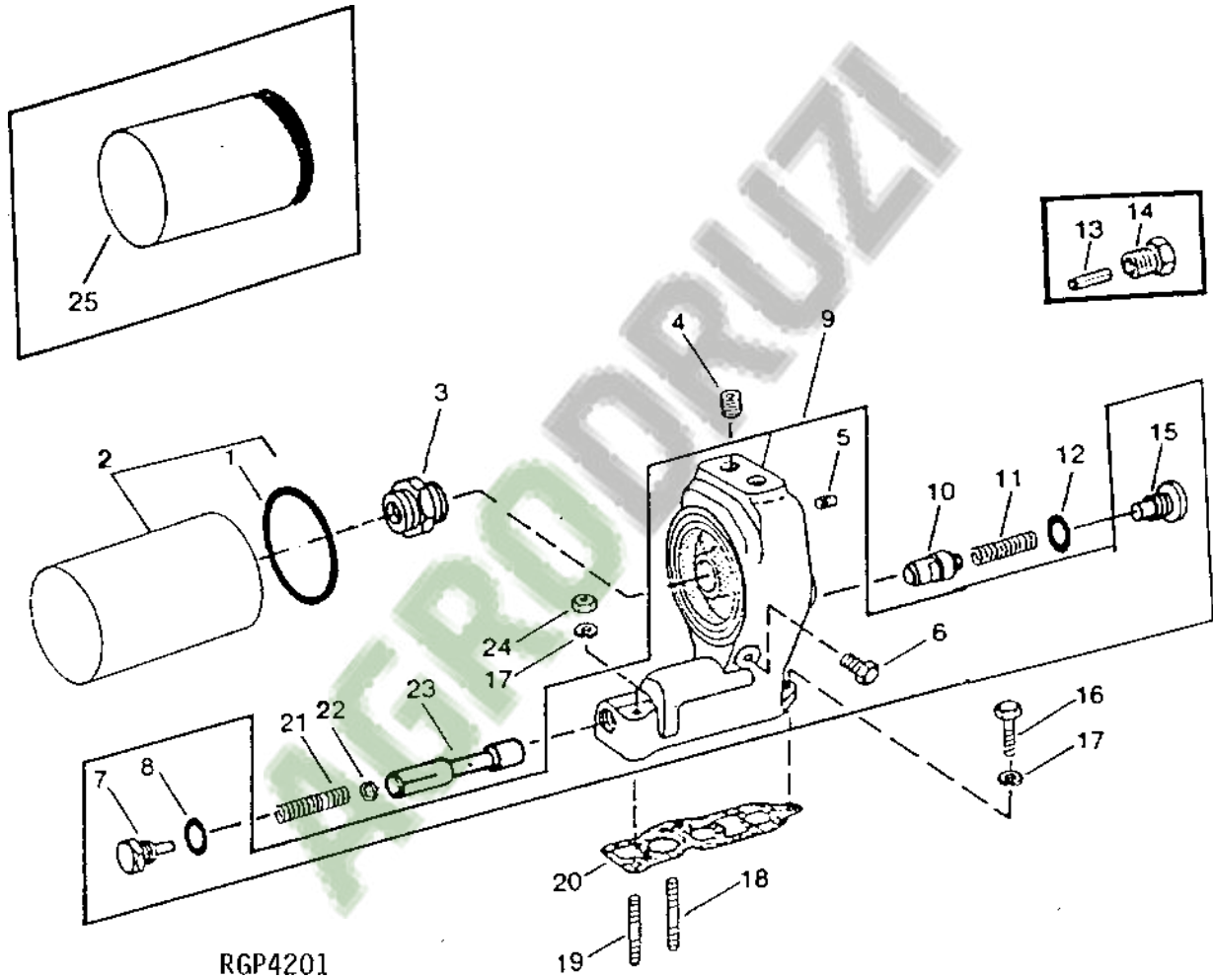
KEY	PART NO.	PART NAME	QTY	ENGINE SERIAL NO.	REMARKS
-----	----------	-----------	-----	-------------------	---------

AGRO DRUZI

1E22

6076 ENGINE (ENGINE SERIAL NUMBER -499999)

ENGINE OIL FILTER AND HOUSING
(ENGINE SERIAL NO. -499999)
RGP4201 -UN-01JAN94

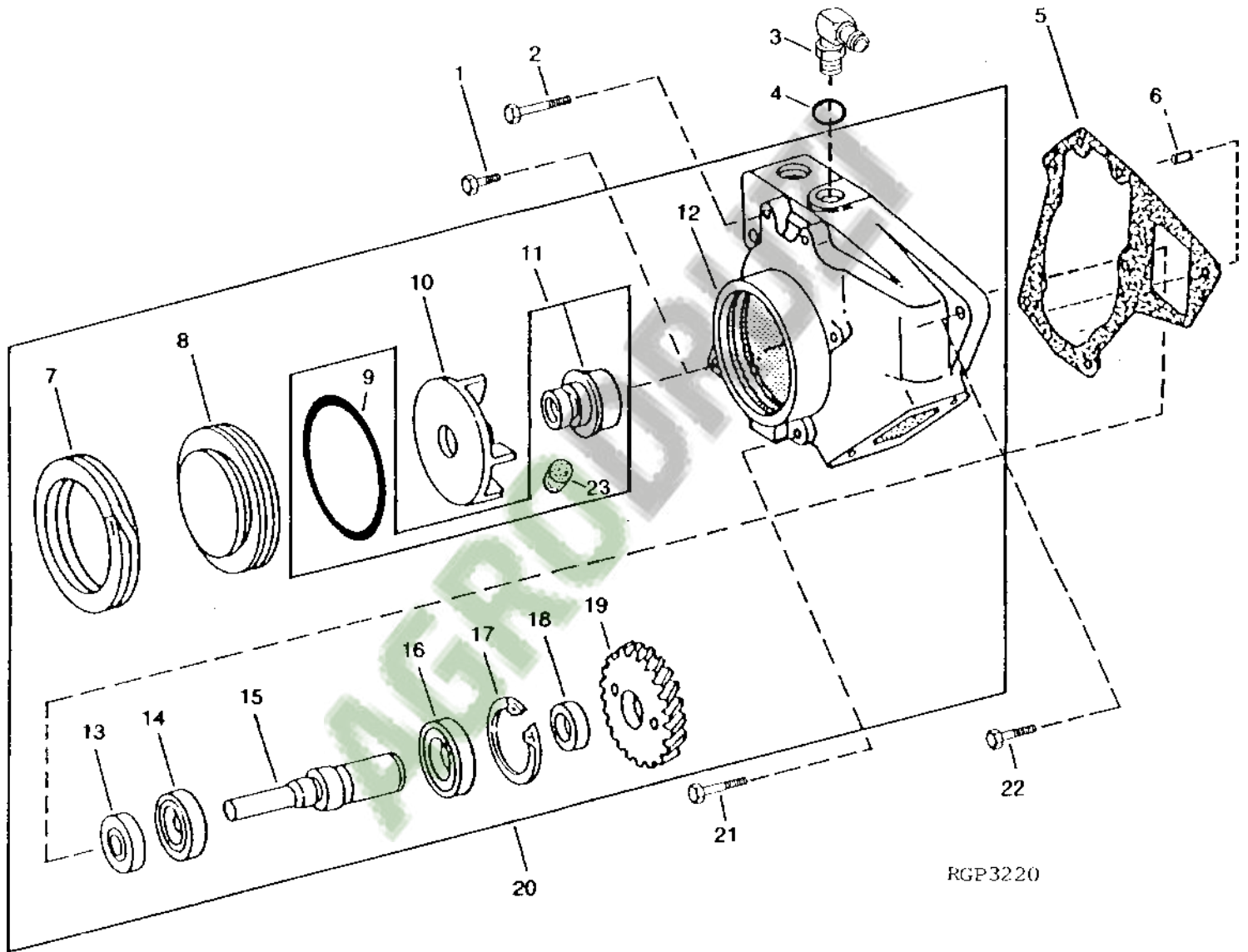


RGP4201

1E24

6076 ENGINE (ENGINE SERIAL NUMBER -499999)

WATER PUMP
(ENGINE SERIAL NO. -499999)
RGP3220 -UN-01JAN94

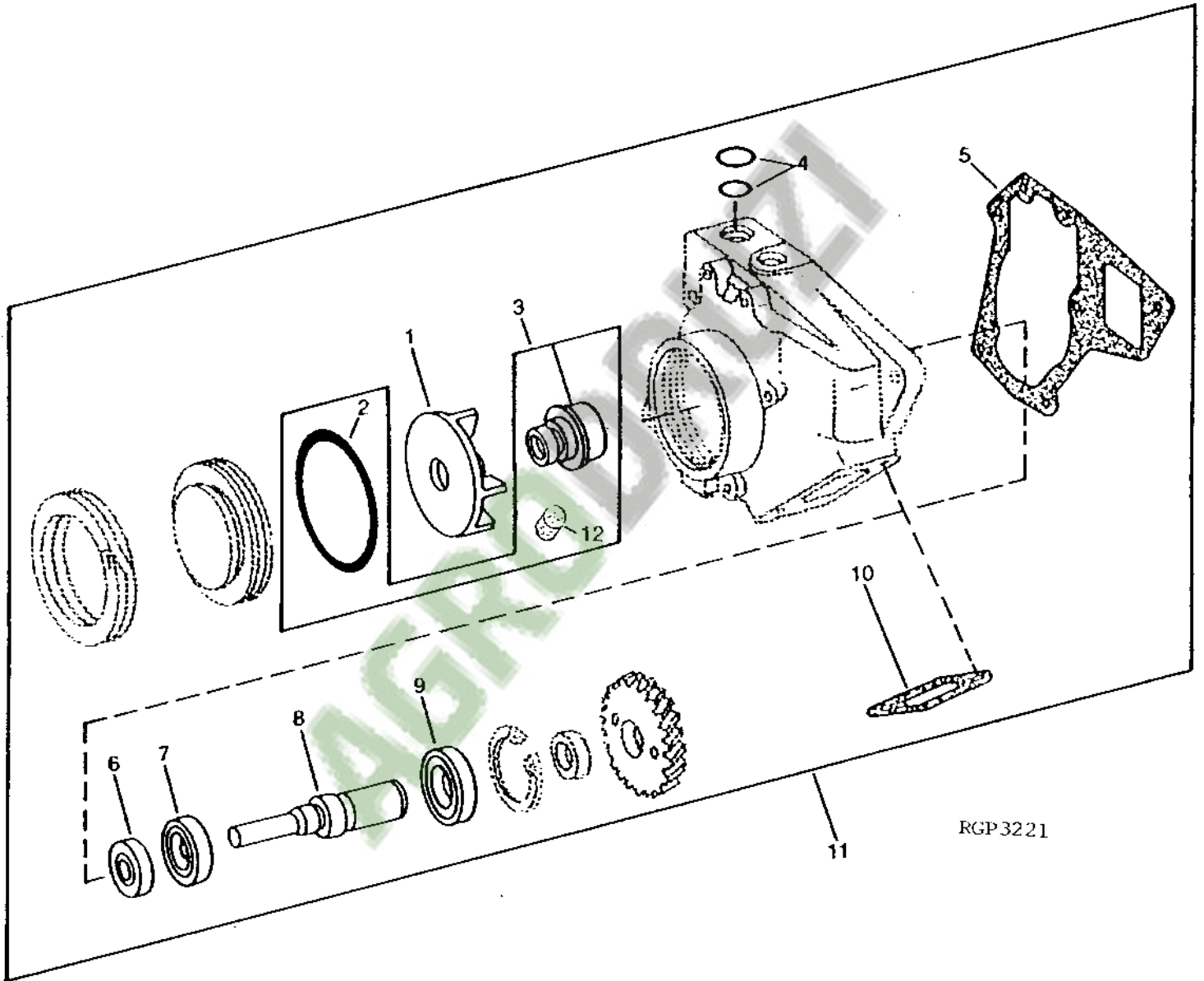


RGP3220

1F1

6076 ENGINE (ENGINE SERIAL NUMBER -499999)

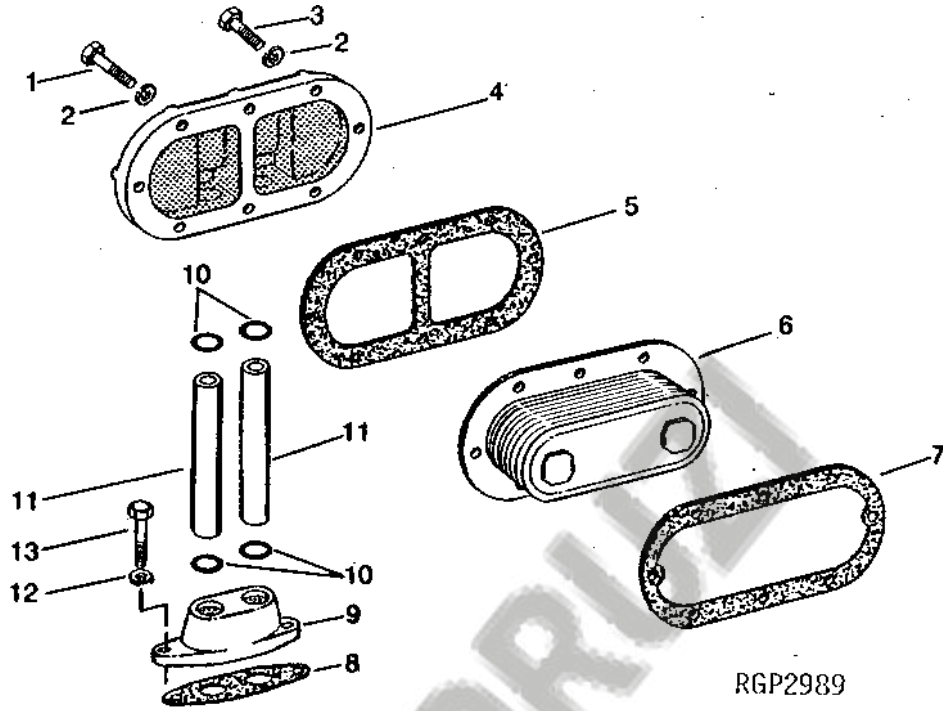
WATER PUMP REPAIR KIT
(ENGINE SERIAL NO. -499999)
RGP3221 -UN-01JAN94



1F3

6076 ENGINE (ENGINE SERIAL NUMBER -499999)

ENGINE OIL COOLER
 (ENGINE SERIAL NO. -499999)
 RGP2989 -UN-01JAN94



RGP2989

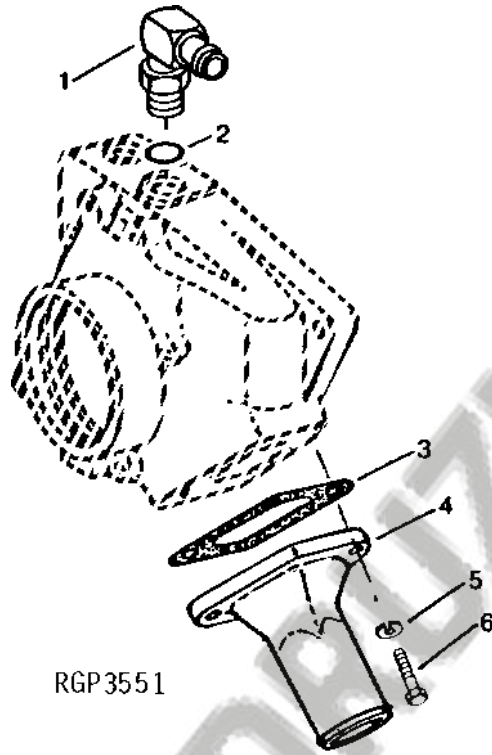
KEY	PART NO.	PART NAME	QTY	ENGINE SERIAL NO.	REMARKS
-----	----------	-----------	-----	-------------------	---------

AGRODRIVE

1F4

6076 ENGINE (ENGINE SERIAL NUMBER -499999)

WATER PUMP INLET HOUSING
(ENGINE SERIAL NO. -499999)
RGP3551 -UN-01JAN94



KEY	PART NO.	PART NAME	QTY	ENGINE SERIAL NO.	REMARKS
-----	----------	-----------	-----	-------------------	---------

AGRO PARTS

1F5

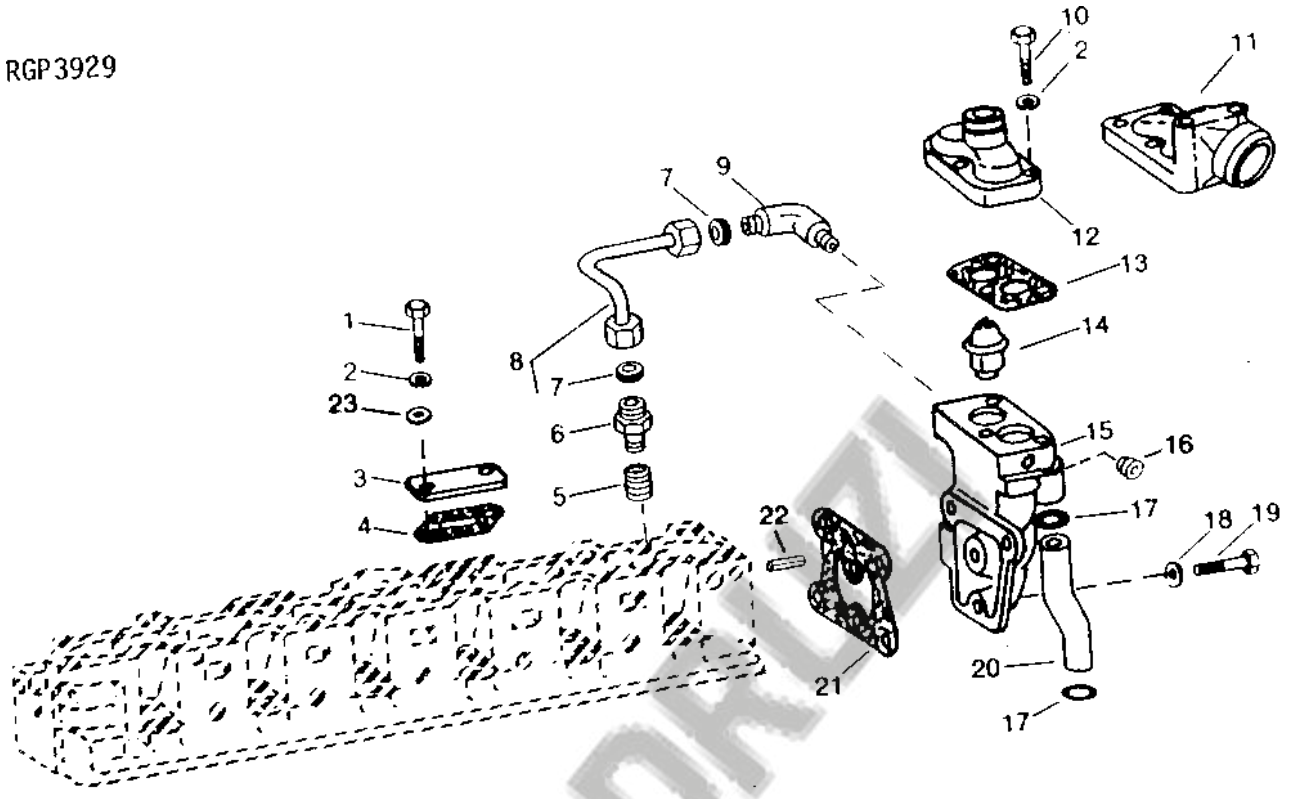
6076 ENGINE (ENGINE SERIAL NUMBER -499999)

WATER MANIFOLD AND THERMOSTAT (190HP 6076TH001) OR (235HP/HH004, 253HP/HH001)

(ENGINE SERIAL NO. -499999)

RGP3929 -UN-01JAN94

RGP3929



KEY	PART NO.	PART NAME	QTY	ENGINE SERIAL NO.	REMARKS
-----	----------	-----------	-----	-------------------	---------

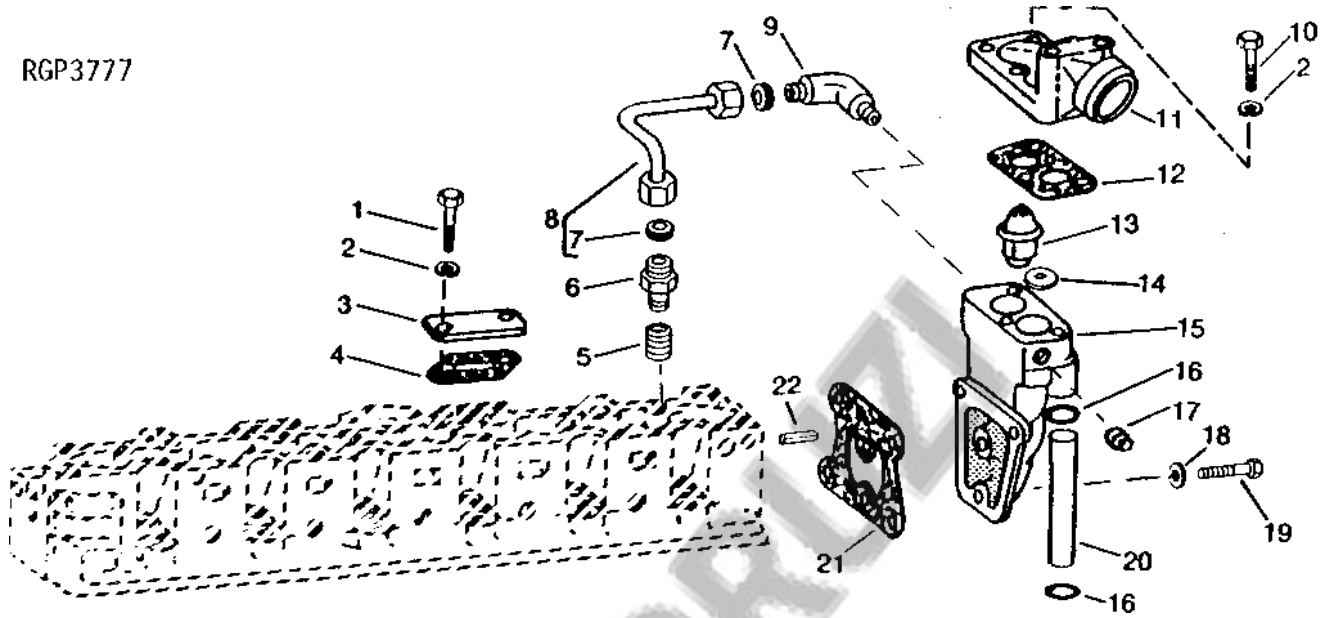
AGRODRIVE

1F6

6076 ENGINE (ENGINE SERIAL NUMBER -499999)

WATER MANIFOLD AND THERMOSTAT
 (6076HH003) (215HP)
 (ENGINE SERIAL NO. -499999)
 RGP3777 -UN-01JAN94

RGP3777



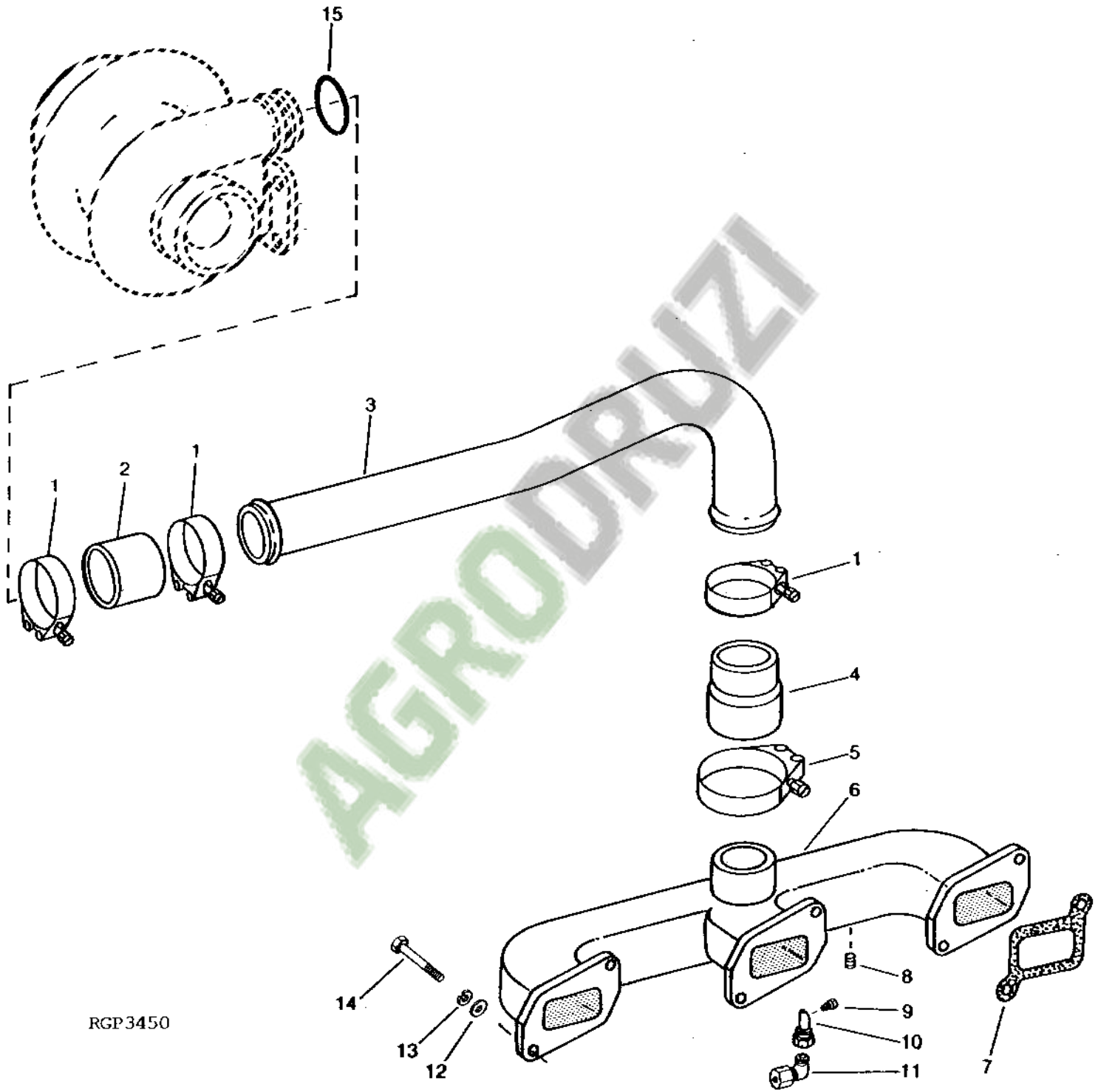
KEY	PART NO.	PART NAME	QTY	ENGINE SERIAL NO.	REMARKS
-----	----------	-----------	-----	-------------------	---------

AGRO DRILL

1F7

6076 ENGINE (ENGINE SERIAL NUMBER -499999)

INTAKE MANIFOLD
(ENGINE SERIAL NO. -499999)
RGP3450 -UN-01JAN94

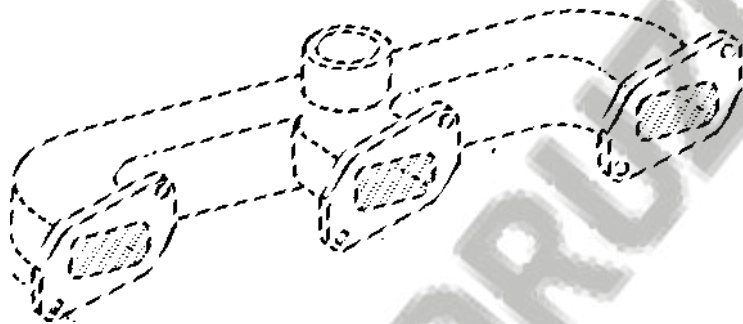


RGP3450

1F9

6076 ENGINE (ENGINE SERIAL NUMBER -499999)

INTAKE MANIFOLD ADAPTER
(ENGINE SERIAL NO. 147639-165935)
RGP3768 -UN-01JAN94



RGP3768

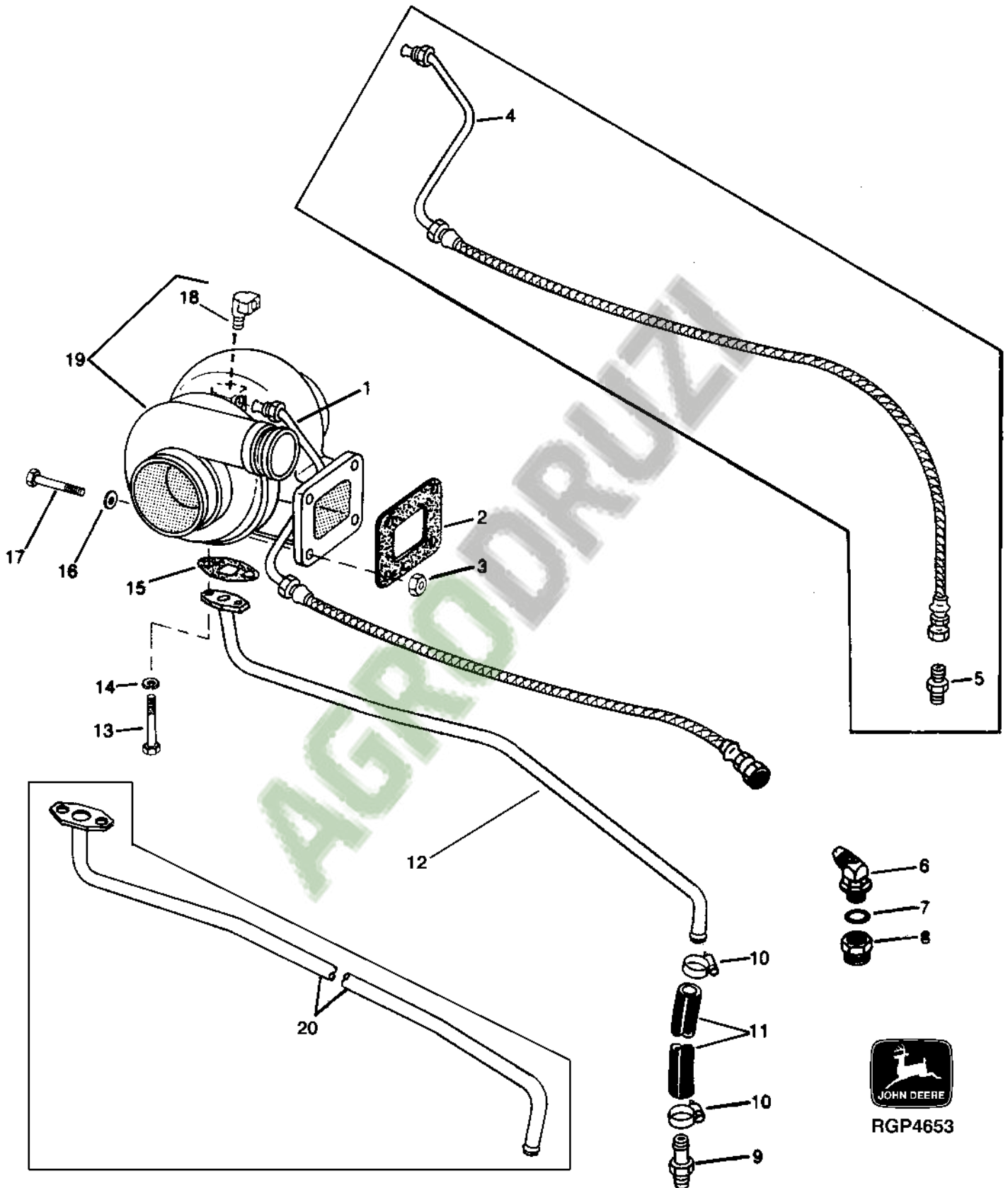
KEY	PART NO.	PART NAME	QTY	ENGINE SERIAL NO.	REMARKS
-----	----------	-----------	-----	-------------------	---------

AGRO DRUGS

1F10

6076 ENGINE (ENGINE SERIAL NUMBER -499999)

TURBOCHARGER AND OIL LINES
(ENGINE SERIAL NO. -499999)
RGP4653 -UN-28MAR96

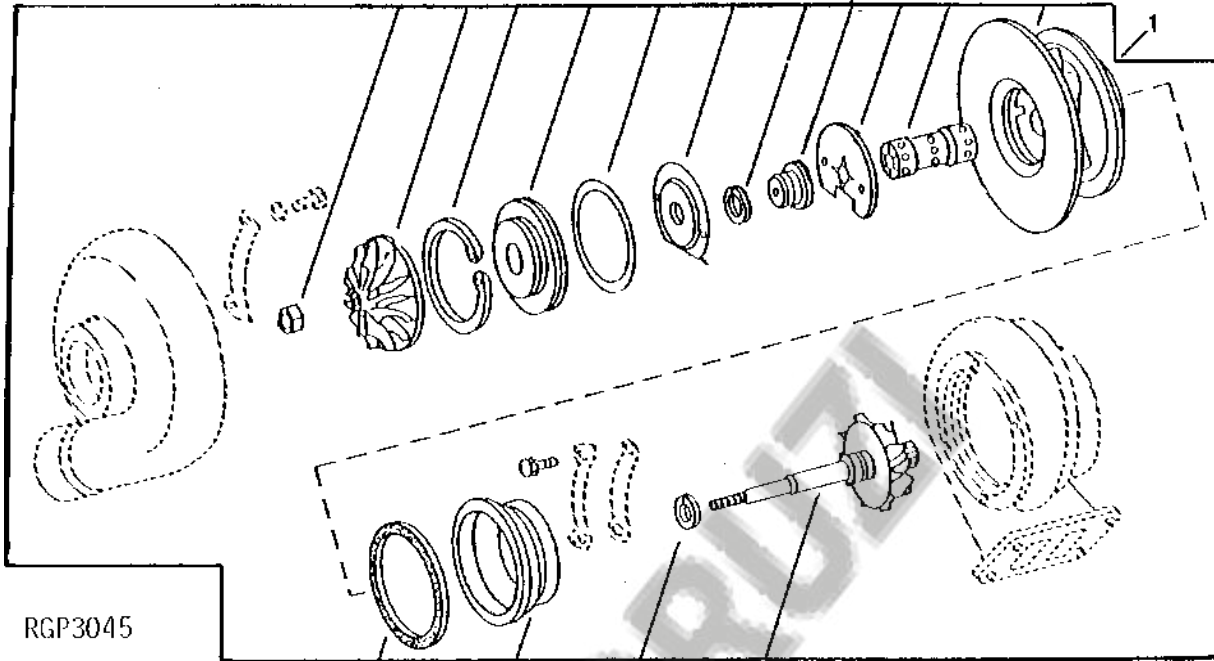


RGP4653

1F12

6076 ENGINE (ENGINE SERIAL NUMBER -499999)

TURBOCHARGER CENTER HOUSING WITH ROTATING PARTS
(SCHWITZER) (TH001, HH001, HH003, HH004)
 RGP3045 -UN-01JAN94



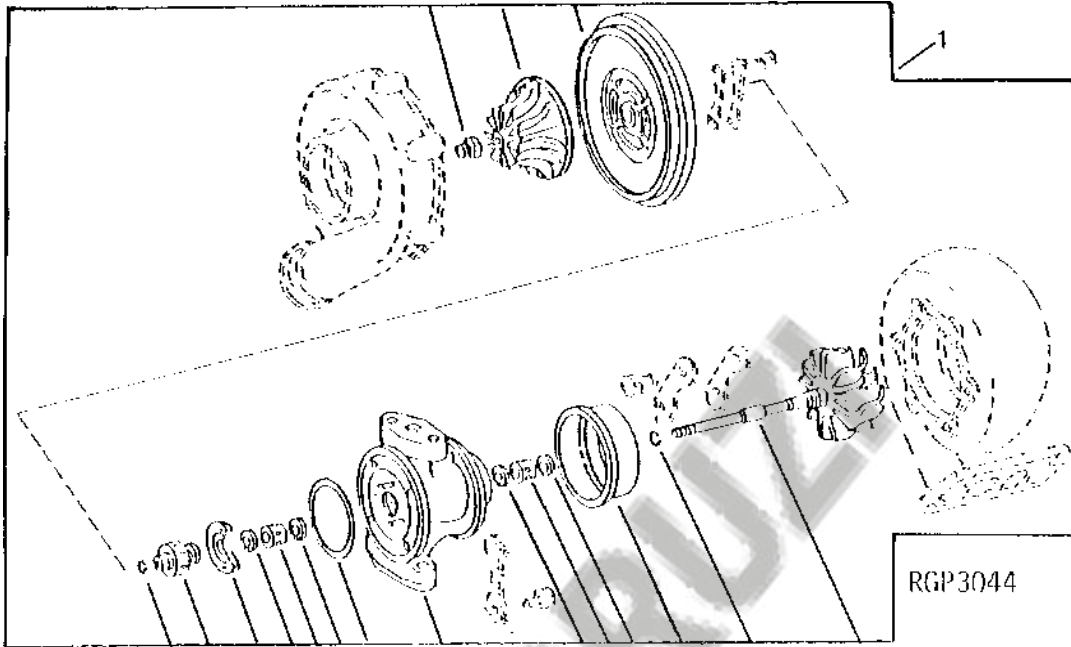
KEY	PART NO.	PART NAME	QTY	ENGINE SERIAL NO.	REMARKS
-----	----------	-----------	-----	-------------------	---------

AGRODRIFT

1F13

6076 ENGINE (ENGINE SERIAL NUMBER -499999)

TURBOCHARGER CENTER HOUSING WITH ROTATING PARTS
(AIRESEARCH) (TH001, HH001, HH003, HH004)
RGP3044 -UN-01JAN94



KEY	PART NO.	PART NAME	QTY	ENGINE SERIAL NO.	REMARKS
-----	----------	-----------	-----	-------------------	---------

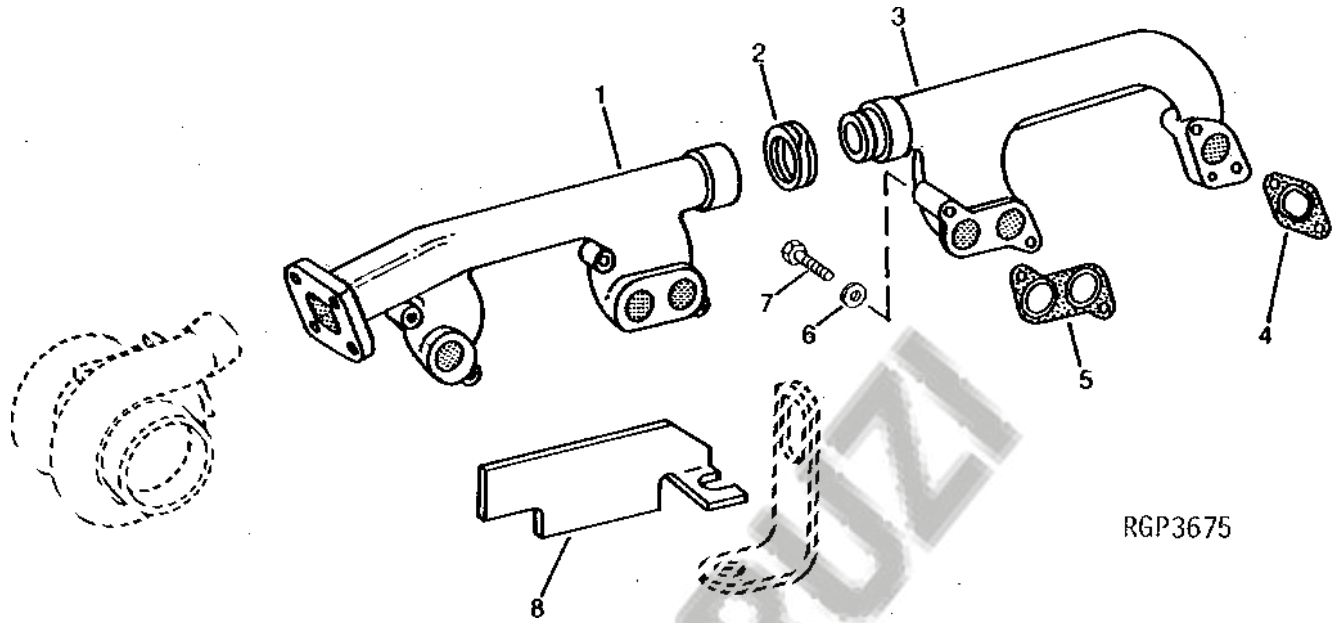
AGRO DIRECT

1F14

6076 ENGINE (ENGINE SERIAL NUMBER -499999)

EXHAUST MANIFOLDS AND HEAT SHIELD

RGP3675 -UN-01JAN94



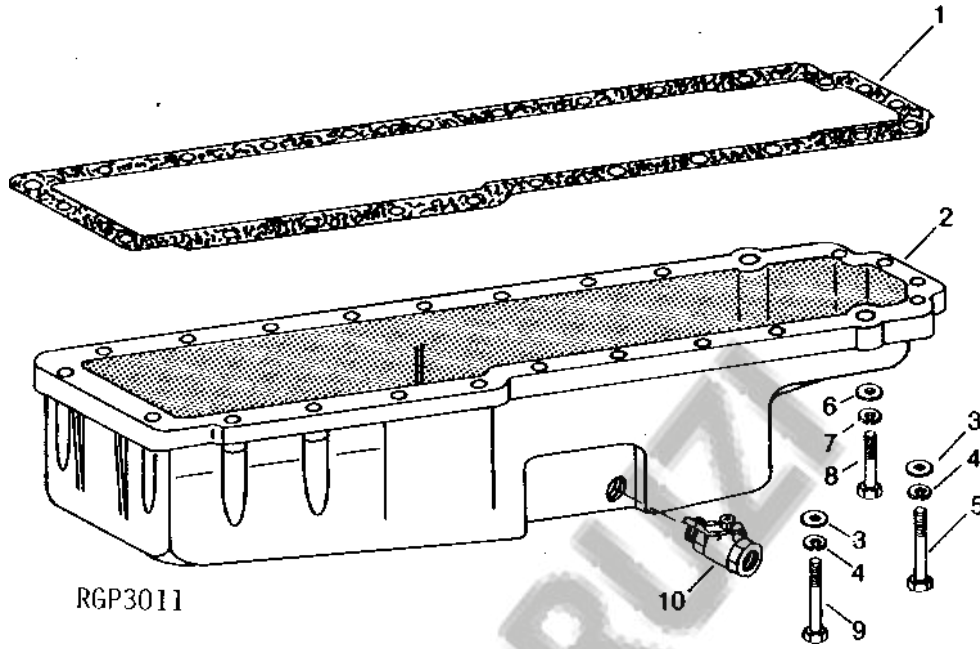
KEY	PART NO.	PART NAME	QTY	ENGINE SERIAL NO.	REMARKS
-----	----------	-----------	-----	-------------------	---------

AGRO DRUZ

1F15

6076 ENGINE (ENGINE SERIAL NUMBER -499999)

OIL PAN
RGP3011 -UN-01JAN94



KEY	PART NO.	PART NAME	QTY	ENGINE SERIAL NO.	REMARKS
-----	----------	-----------	-----	-------------------	---------

AGRODRIVE

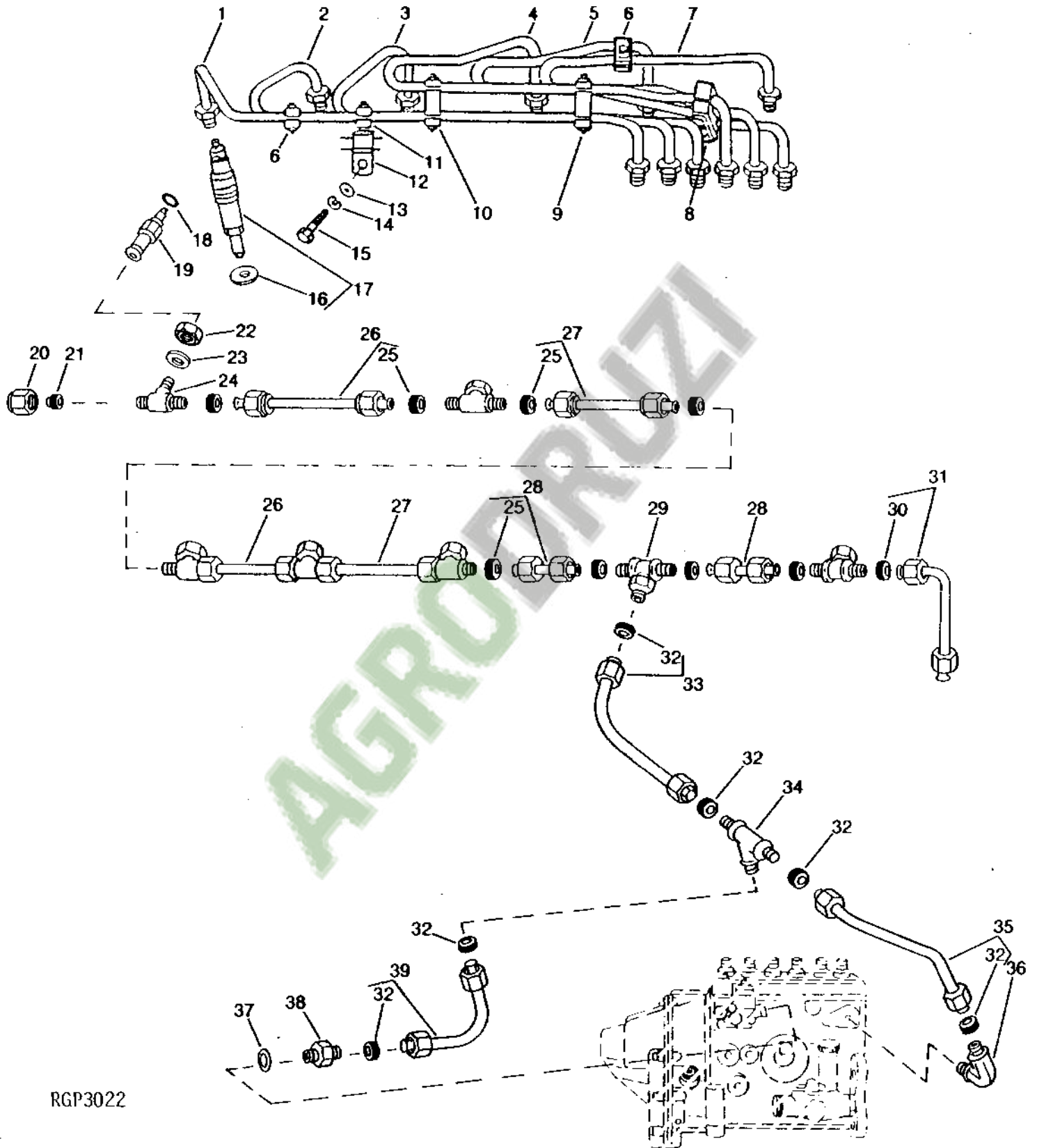
1F16

6076 ENGINE (ENGINE SERIAL NUMBER -499999)

FUEL INJECTION NOZZLES AND LINES (6076HH001, HH004)

(ENGINE SERIAL NO. -165438)

RGP3022 -UN-01JAN94

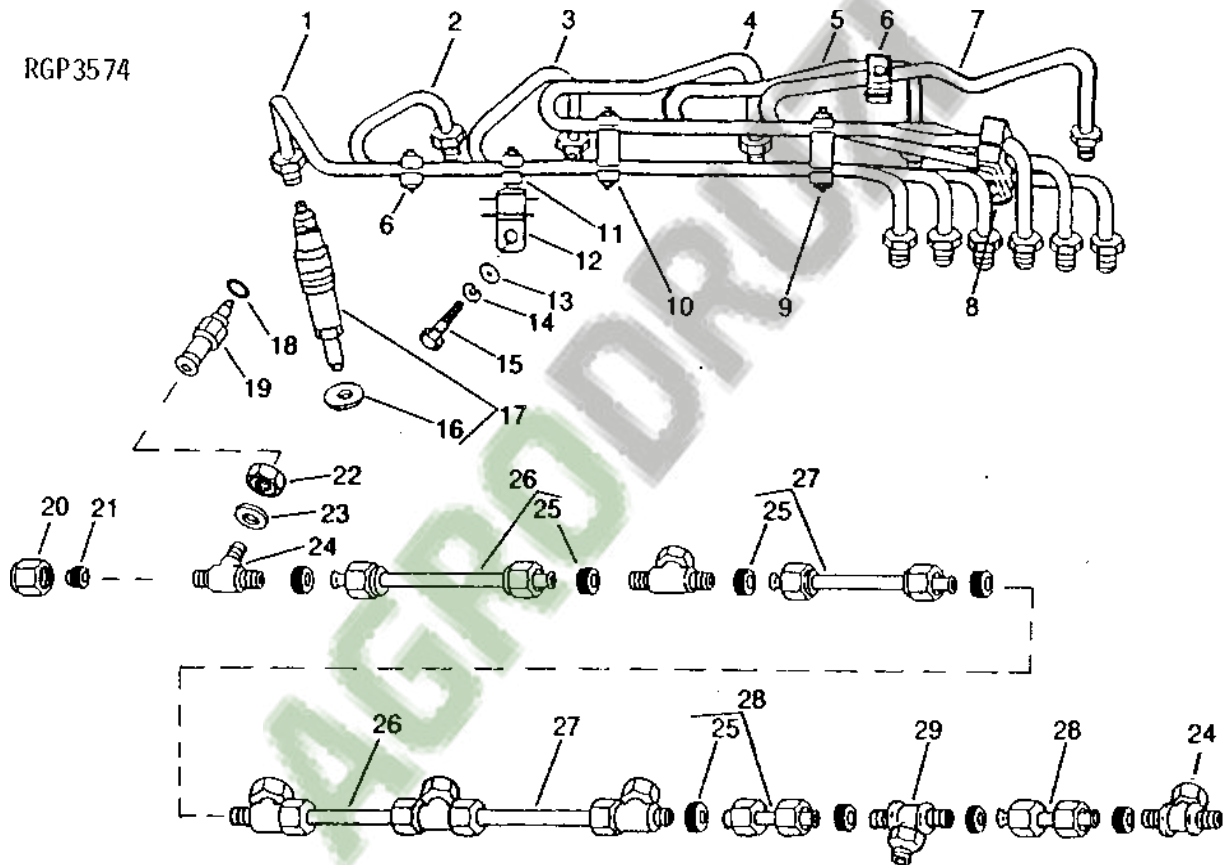


RGP3022

1F18

6076 ENGINE (ENGINE SERIAL NUMBER -499999)

FUEL INJECTION NOZZLES AND LINES (HH001 OR HH004)
(ENGINE SERIAL NO. 165439-499999)
RGP3574 -UN-01JAN94



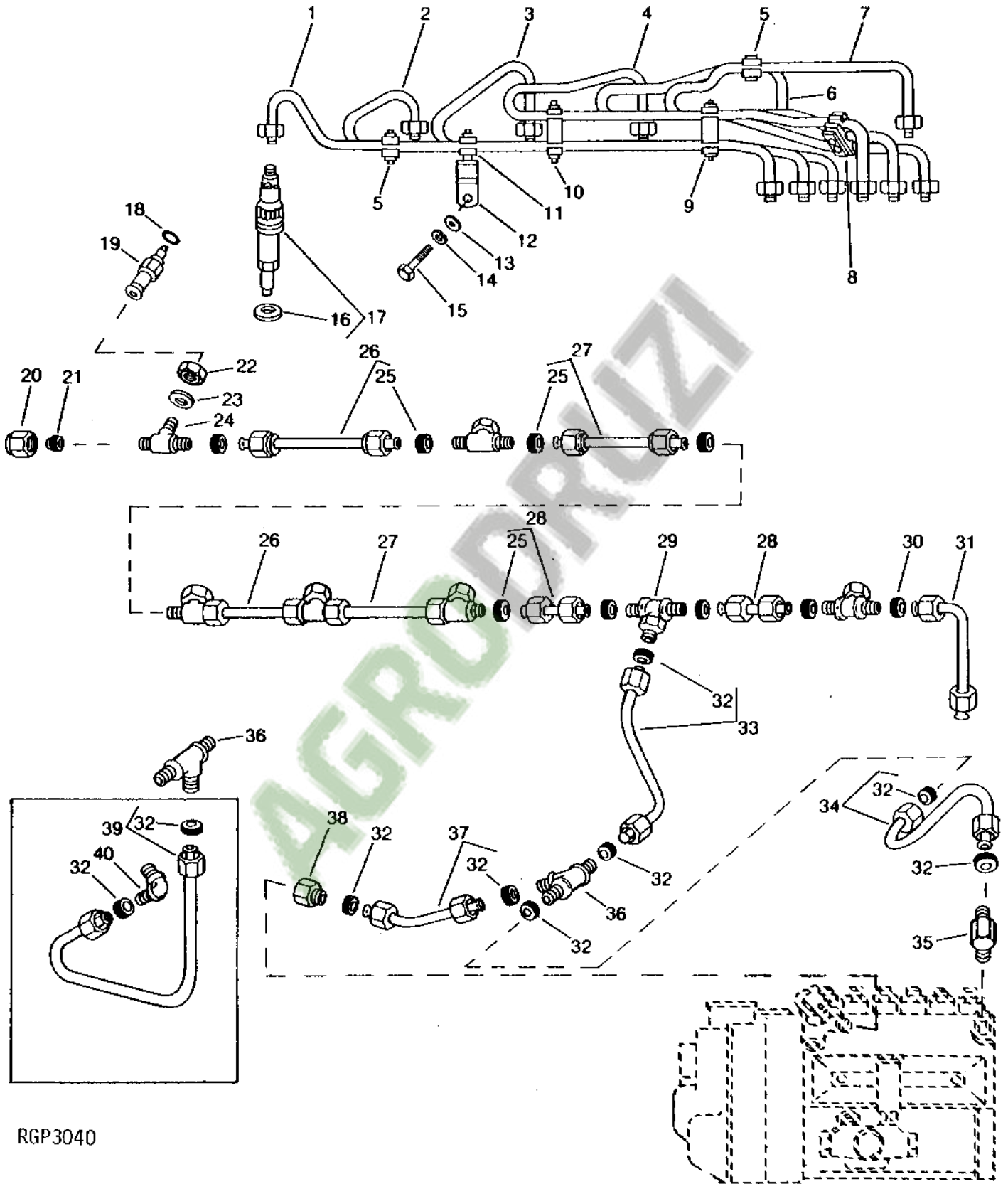
1F20

6076 ENGINE (ENGINE SERIAL NUMBER -499999)

FUEL INJECTION NOZZLES AND LINES (6076TH001 OR HH003)

(ENGINE SERIAL NO. -165438)

RGP3040 -UN-01JAN94



RGP3040

1F22

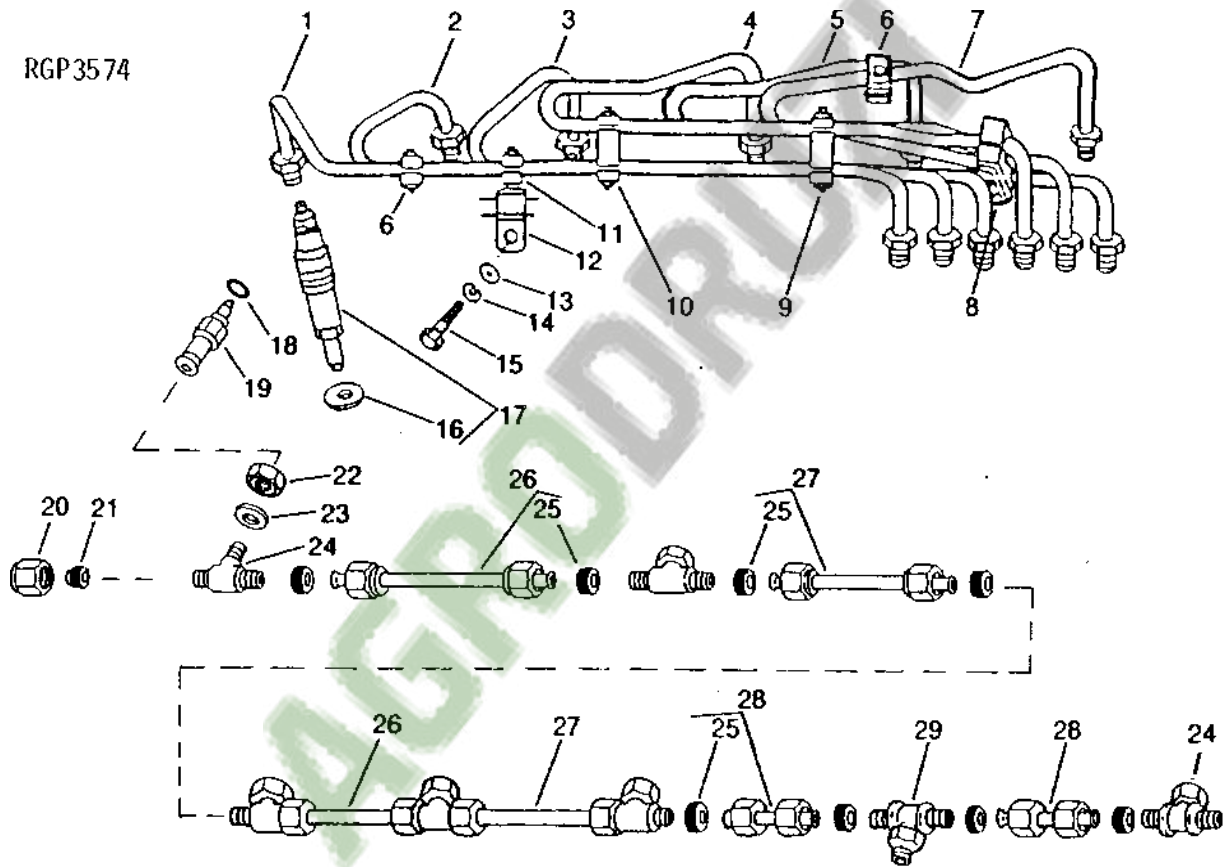
6076 ENGINE (ENGINE SERIAL NUMBER -499999)

FUEL INJECTION NOZZLES AND LINES (HH003)

(ENGINE SERIAL NO. 165439-499999)

RGP3574 -UN-01JAN94

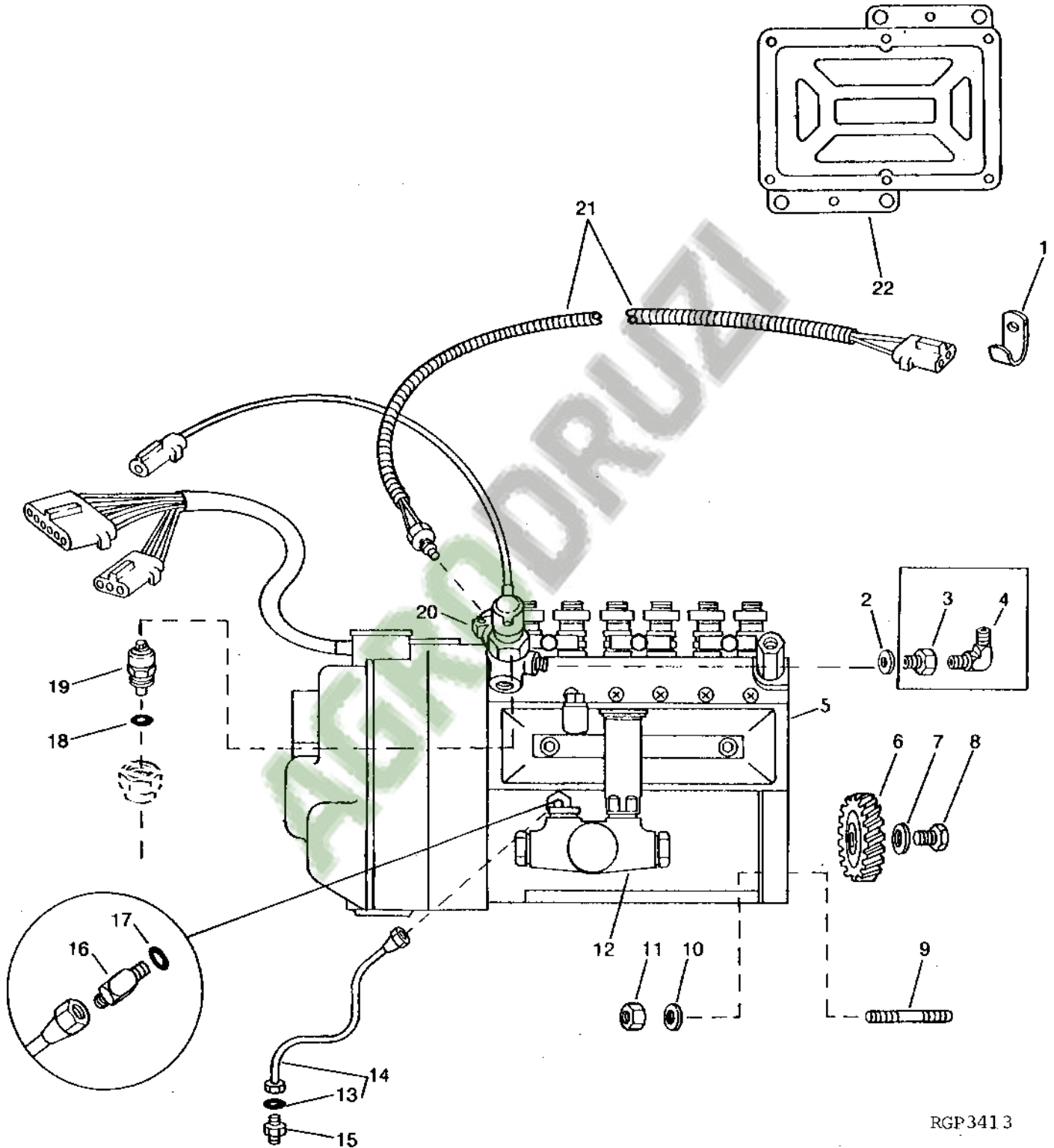
RGP3574



1F24

6076 ENGINE (ENGINE SERIAL NUMBER -499999)

FUEL INJECTION PUMP AND OIL LUBE LINE (6076TH001) (190HP)
(85MM INJECTION PUMP BORE)
(ENGINE SERIAL NO. -149283)
RGP3413 -UN-01JAN94



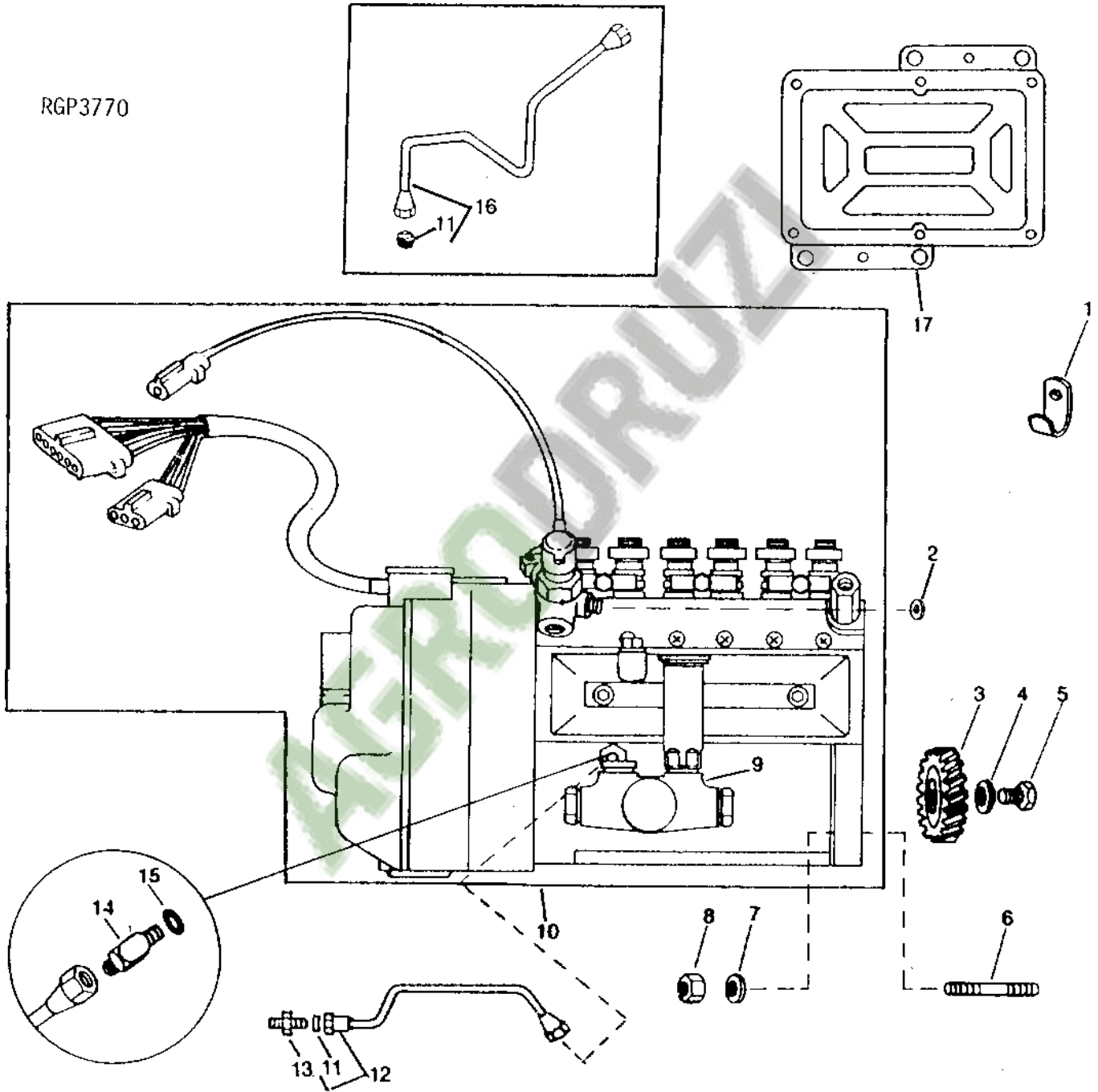
RGP 341 3

1G1

6076 ENGINE (ENGINE SERIAL NUMBER -499999)

FUEL INJECTION PUMP AND OIL LUBE LINE (6076HH003) (215HP)
(85MM INJECTION PUMP BORE)
(ENGINE SERIAL NO. 149284-499999)
RGP3770 -UN-01JAN94

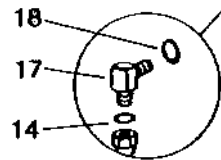
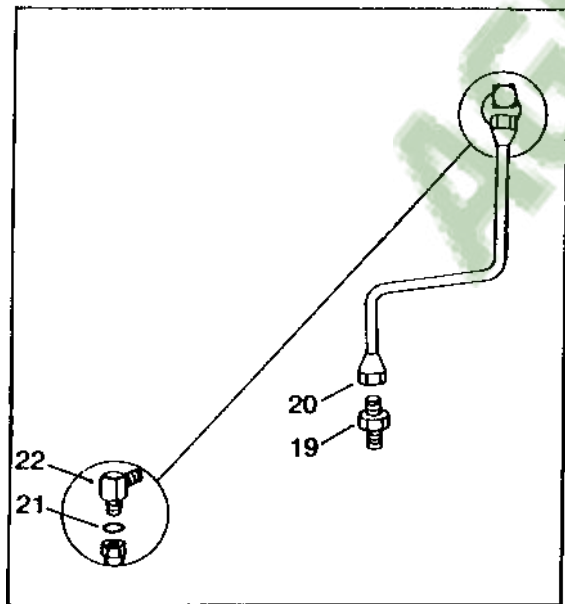
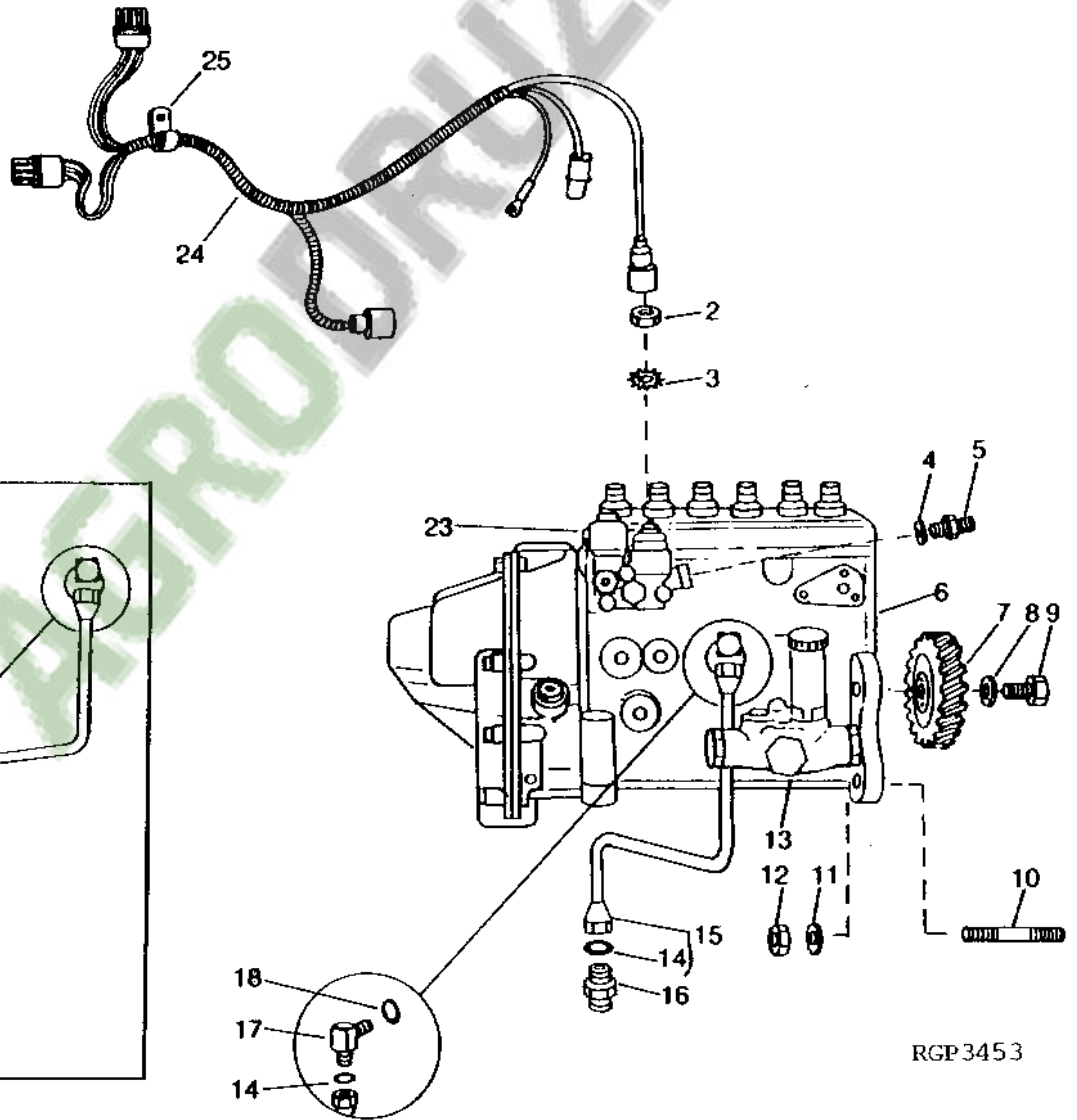
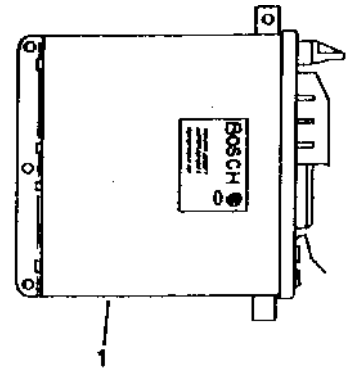
RGP3770



1G3

6076 ENGINE (ENGINE SERIAL NUMBER -499999)

FUEL INJECTION PUMP AND OIL LUBE LINES (6076HH004) (235HP)
(95MM INJECTION PUMP BORE)
(ENGINE SERIAL NO. -499999)
RGP3453 -UN-01JAN94

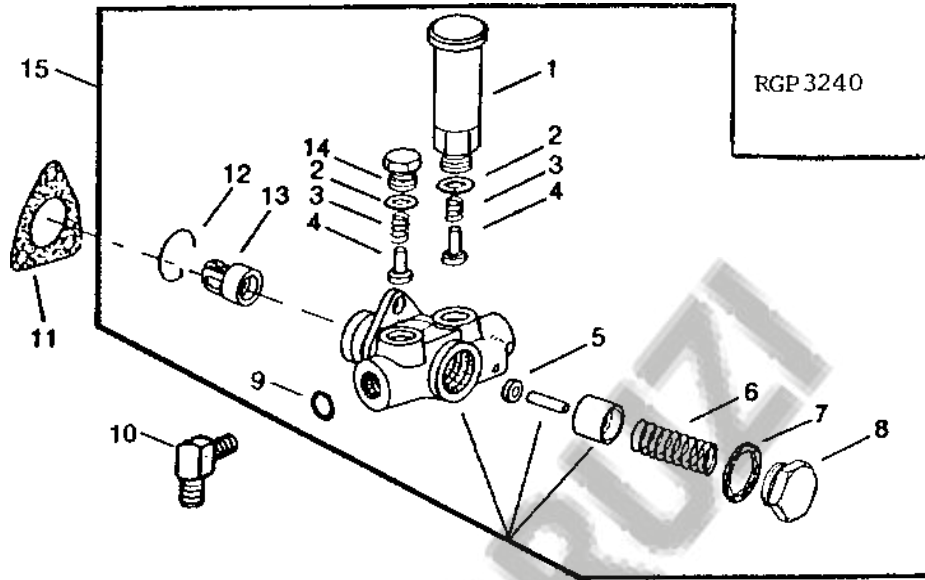


RGP3453

1G5

6076 ENGINE (ENGINE SERIAL NUMBER -499999)

FUEL TRANSFER PUMP (253HP/HH001 OR 235HP/HH004)
 (ROBERT BOSCH)
 (ENGINE SERIAL NO. -499999)
 RGP3240 -UN-01JAN94



KEY	PART NO.	PART NAME	QTY	ENGINE SERIAL NO.	REMARKS
-----	----------	-----------	-----	-------------------	---------

AGRO DIRECT

1G6

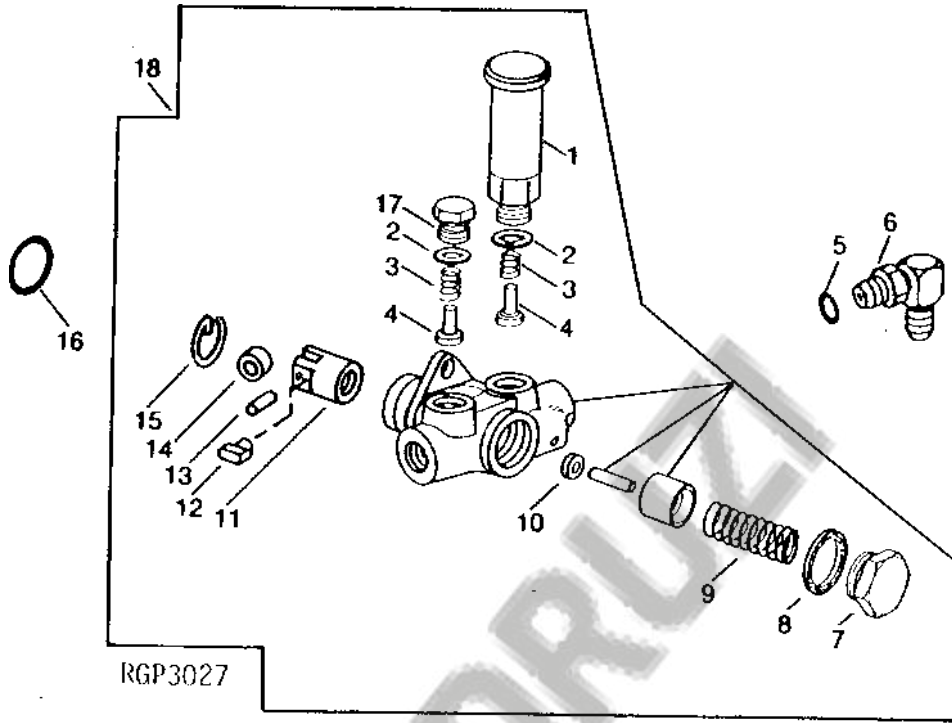
6076 ENGINE (ENGINE SERIAL NUMBER -499999)

FUEL TRANSFER PUMP (190HP/TH001 OR 215HP/HH003)

(DENSO)

(ENGINE SERIAL NO. -499999)

RGP3027 -UN-01JAN94



KEY	PART NO.	PART NAME	QTY	ENGINE SERIAL NO.	REMARKS
-----	----------	-----------	-----	-------------------	---------

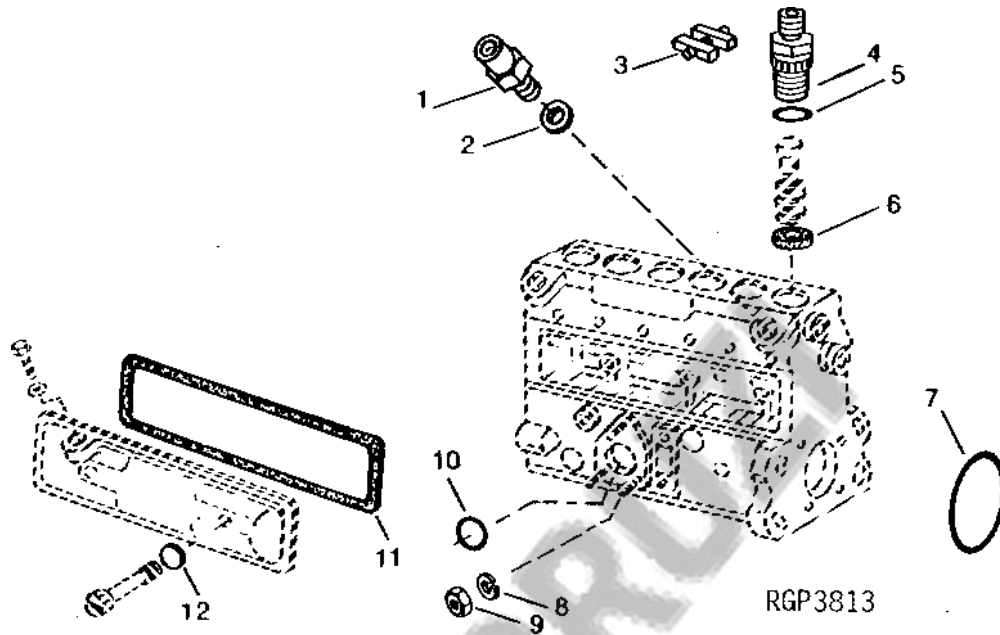
AGRO DRUK

1G7

6076 ENGINE (ENGINE SERIAL NUMBER -499999)

FUEL INJECTION PUMP HOUSING CONNECTORS (190HP/TH001 OR 215HP/HH003)

(DENSO)
 (ENGINE SERIAL NO. -499999)
 RGP3813 -UN-01JAN94



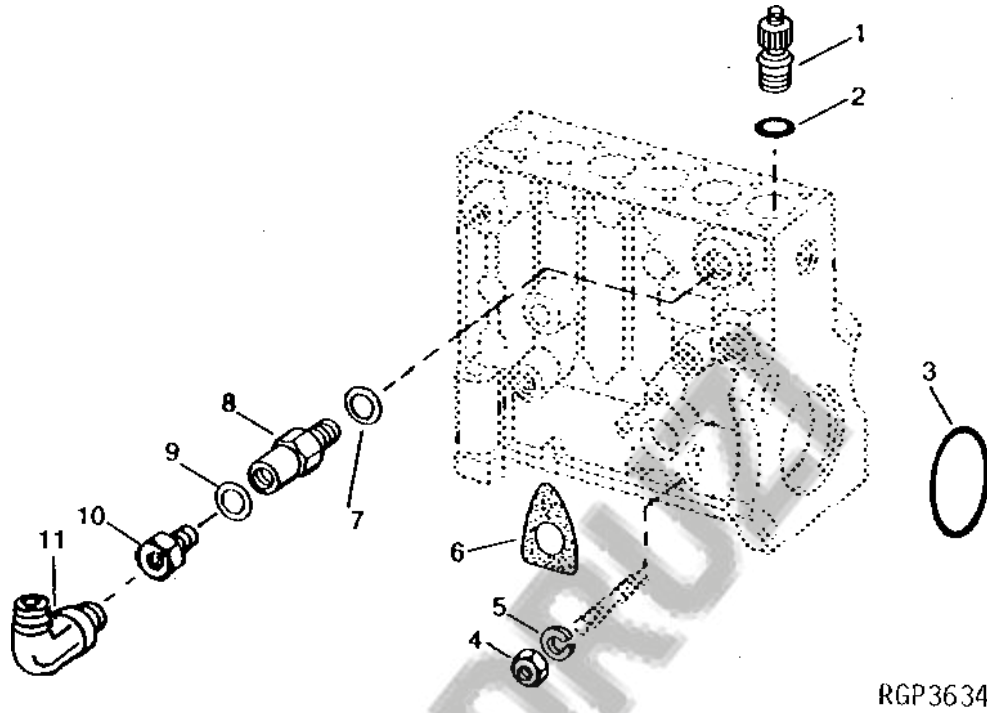
KEY	PART NO.	PART NAME	QTY	ENGINE SERIAL NO.	REMARKS
-----	----------	-----------	-----	-------------------	---------

AGRO DR

1G8

6076 ENGINE (ENGINE SERIAL NUMBER -499999)

FUEL INJECTION PUMP HOUSING CONNECTORS (6076HH004) (235HP)
(ENGINE SERIAL NO. -499999)
(ROBERT BOSCH)
RGP3634 -UN-01JAN94



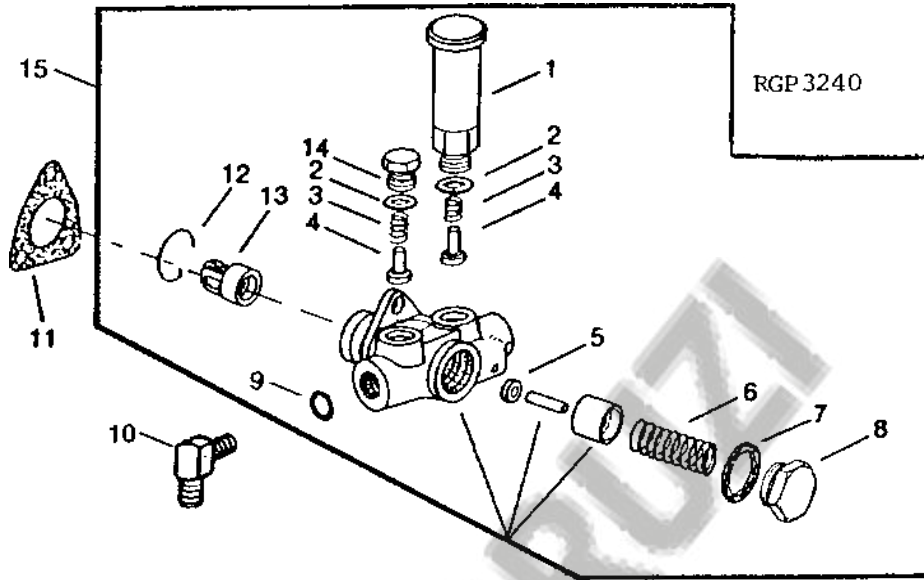
KEY	PART NO.	PART NAME	QTY	ENGINE SERIAL NO.	REMARKS
-----	----------	-----------	-----	-------------------	---------

AGRO

1G9

6076 ENGINE (ENGINE SERIAL NUMBER -499999)

FUEL TRANSFER PUMP (6076HH004) (235HP)
 (ROBERT BOSCH)
 (ENGINE SERIAL NO. -499999)
 RGP3240 -UN-01JAN94



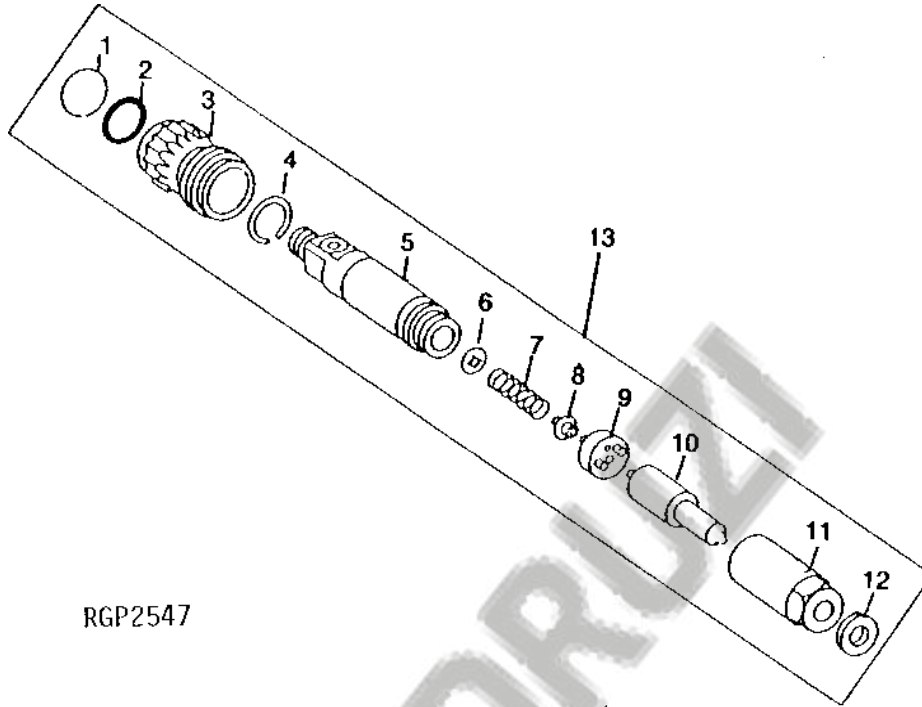
KEY	PART NO.	PART NAME	QTY	ENGINE SERIAL NO.	REMARKS
-----	----------	-----------	-----	-------------------	---------

AGRO DIRECT

1G10

6076 ENGINE (ENGINE SERIAL NUMBER -499999)

FUEL INJECTION NOZZLE (190HP/TH001 OR 215HP/HH003)
(ROBERT BOSCH)
(ENGINE SERIAL NO. 142256-499999)
RGP2547 -UN-01JAN94



RGP2547

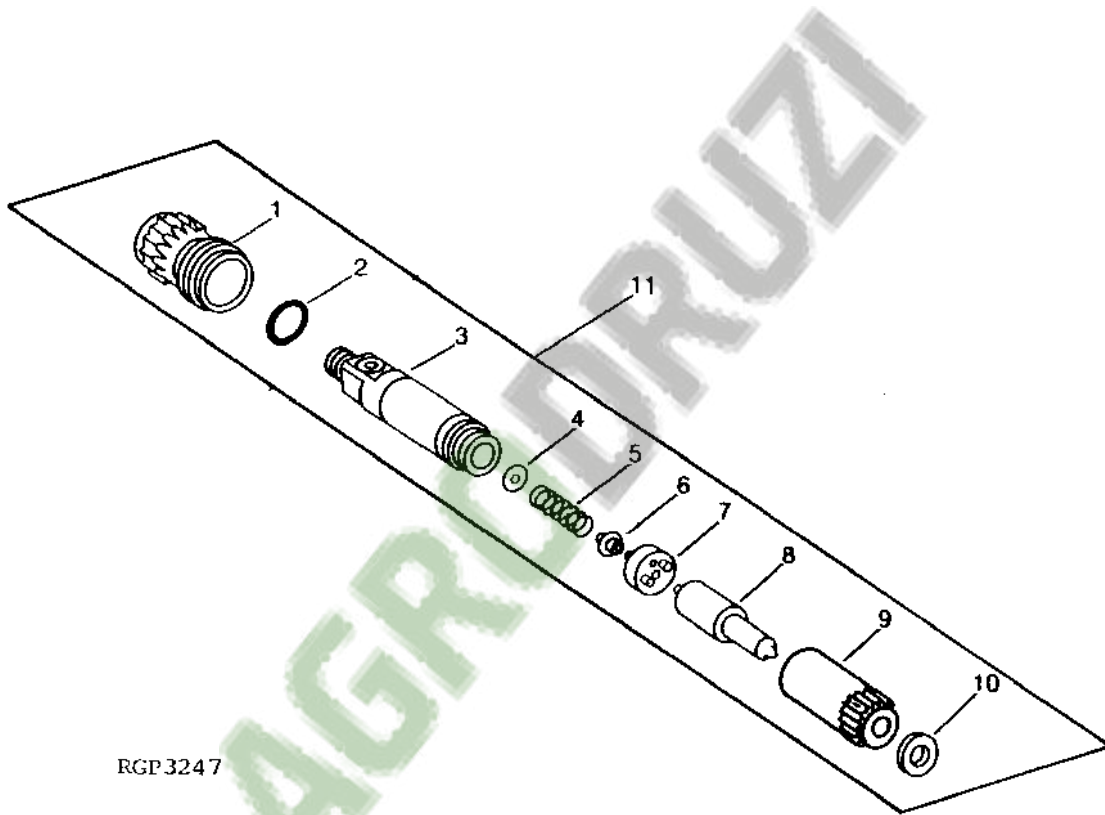
KEY	PART NO.	PART NAME	QTY	ENGINE SERIAL NO.	REMARKS
-----	----------	-----------	-----	-------------------	---------

AGRODRIVE

1G11

6076 ENGINE (ENGINE SERIAL NUMBER -499999)

FUEL INJECTION NOZZLE (TH001, HH003 OR HH004)
(DENSO)
(ENGINE SERIAL NO. -499999)
RGP3247 -UN-01JAN94

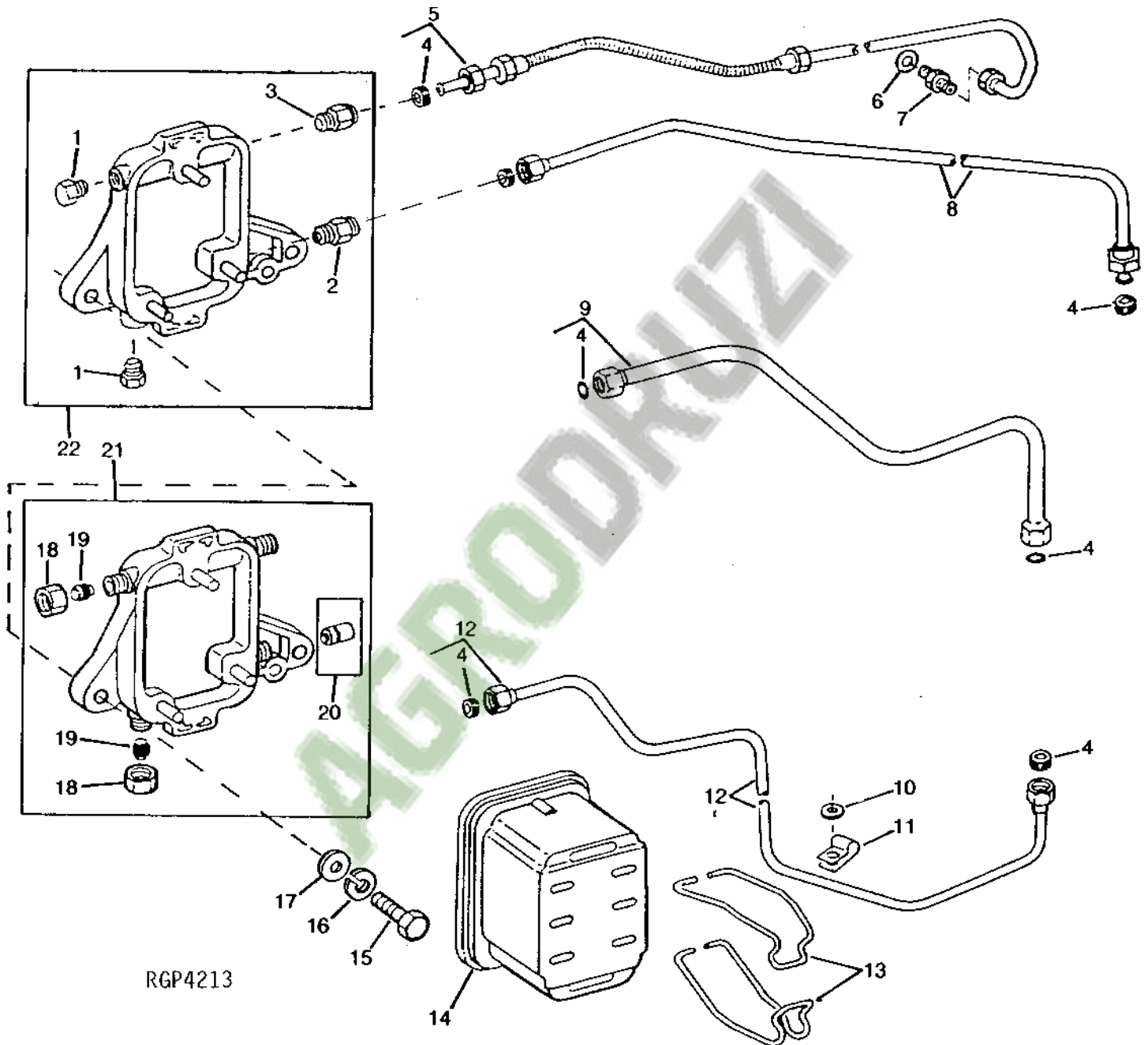


RGP3247

1G13

6076 ENGINE (ENGINE SERIAL NUMBER -499999)

FUEL FILTER AND LINES
(ENGINE SERIAL NO. -499999)
RGP4213 -UN-01JAN94

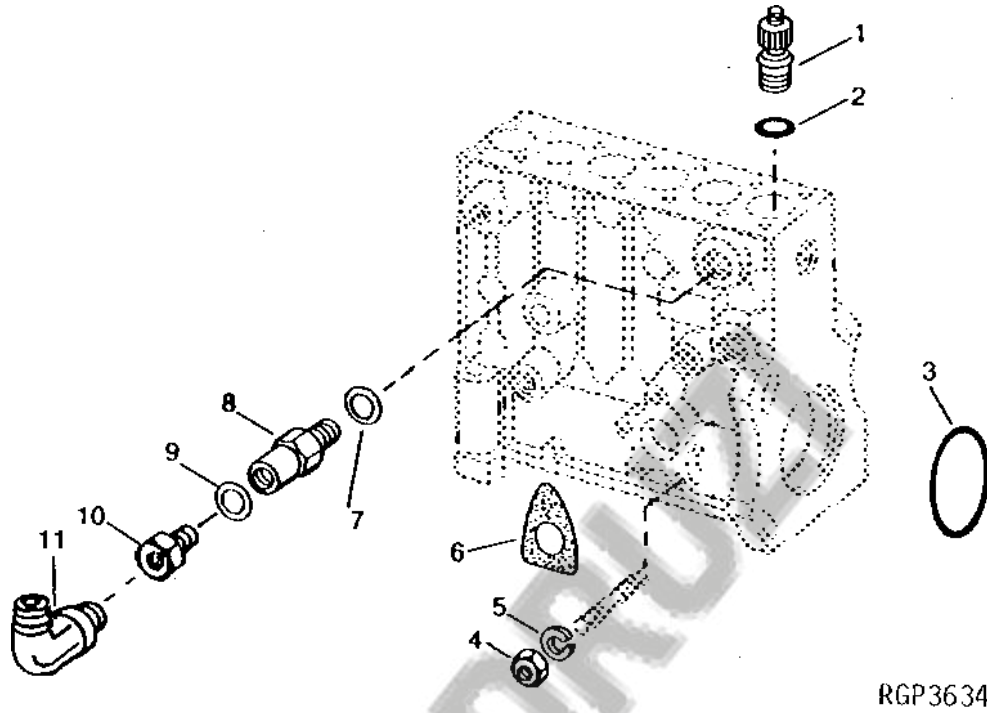


RGP4213

1G15

6076 ENGINE (ENGINE SERIAL NUMBER -499999)

FUEL INJECTION PUMP HOUSING CONNECTORS (235HP/HH004 OR 253HP/HH001)
 (ENGINE SERIAL NO. -499999)
 (ROBERT BOSCH)
 RGP3634 -UN-01JAN94



RGP3634

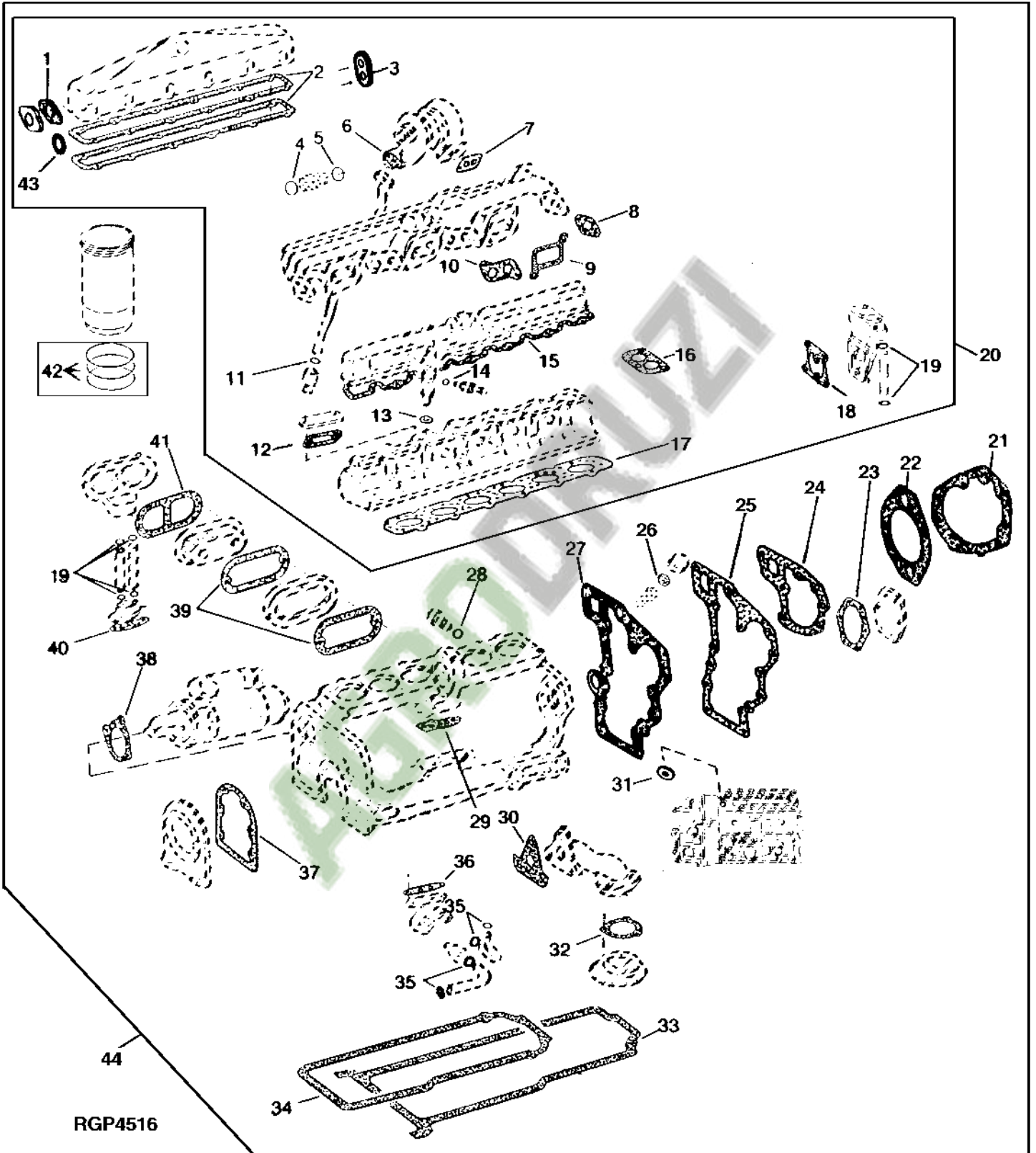
KEY	PART NO.	PART NAME	QTY	ENGINE SERIAL NO.	REMARKS
-----	----------	-----------	-----	-------------------	---------

AGRO PARTS

1G16

6076 ENGINE (ENGINE SERIAL NUMBER -499999)

ENGINE GASKET KITS
(ENGINE SERIAL NO. -499999)
RGP4516 -UN-23JUN95

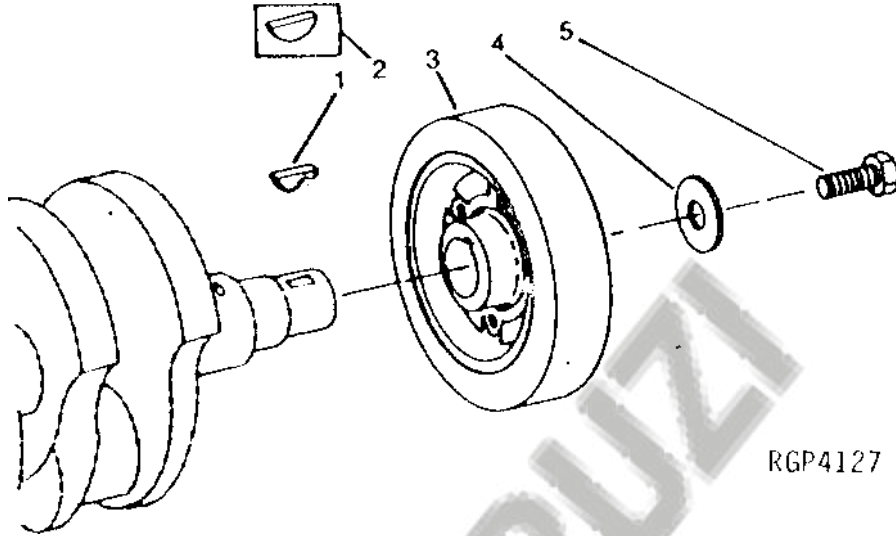


RGP4516

1G18

6076 ENGINE (ENGINE SERIAL NUMBER -499999)

CRANKSHAFT DAMPER
(ENGINE SERIAL NO. -499999)
RGP4127 -UN-01JAN94



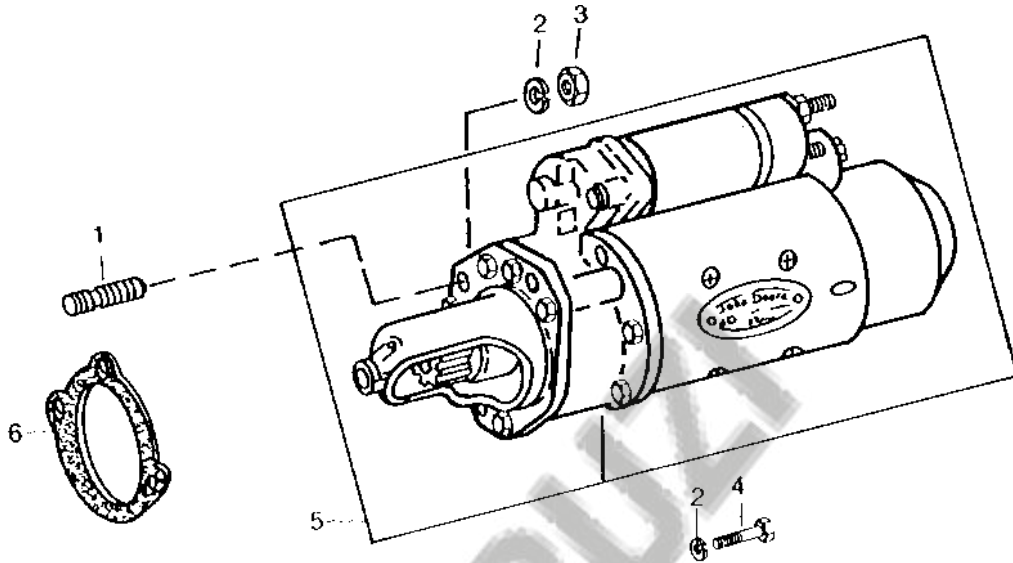
KEY	PART NO.	PART NAME	QTY	ENGINE SERIAL NO.	REMARKS
-----	----------	-----------	-----	-------------------	---------

AGRO DRUZI

1G19

6076 ENGINE (ENGINE SERIAL NUMBER -499999)

STARTING MOTOR
 (12-VOLT)
 (DENSO)
 (ENGINE SERIAL NO. -136850)
 RGP3021 -UN-01JAN94



RGP3021

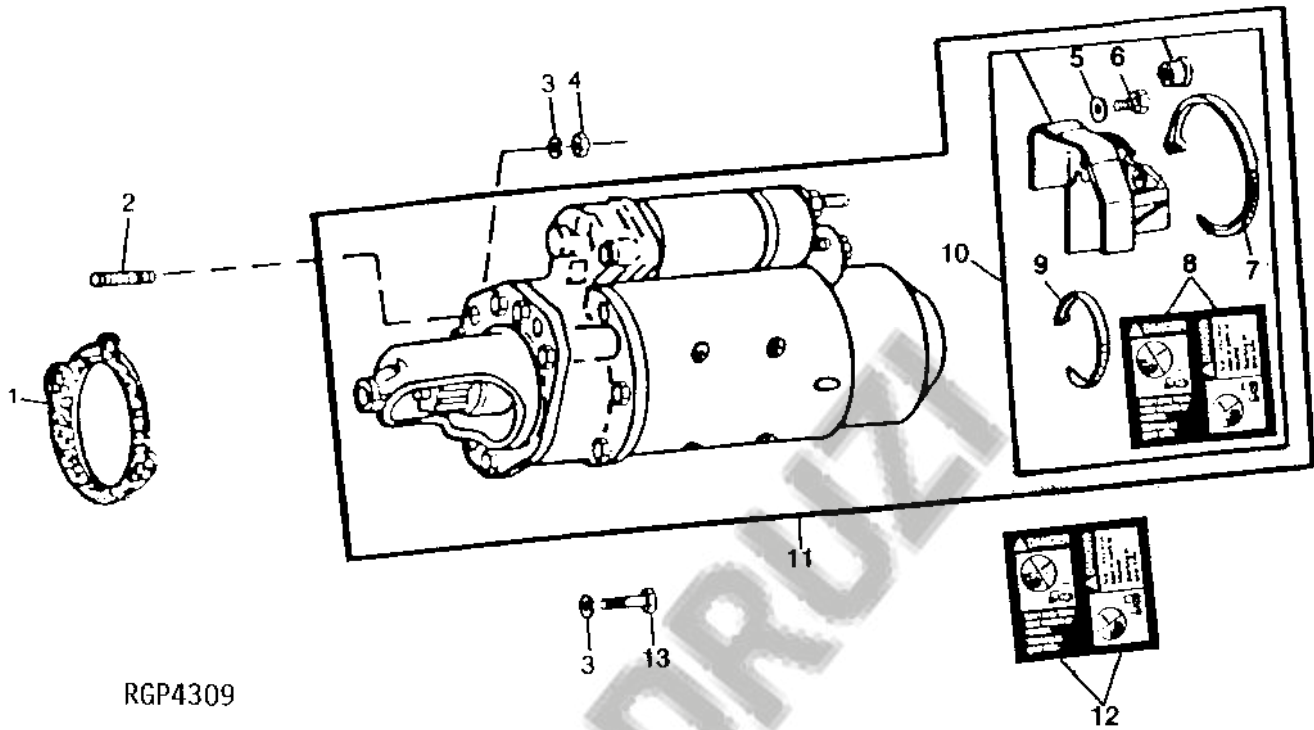
KEY	PART NO.	PART NAME	QTY	ENGINE SERIAL NO.	REMARKS
-----	----------	-----------	-----	-------------------	---------

AGRODRIVE

1G20

6076 ENGINE (ENGINE SERIAL NUMBER -499999)

STARTING MOTOR (12V F4)
 (DENSO)
 (ENGINE SERIAL NO. 136851-499999)
 RGP4309 -UN-14SEP95



RGP4309

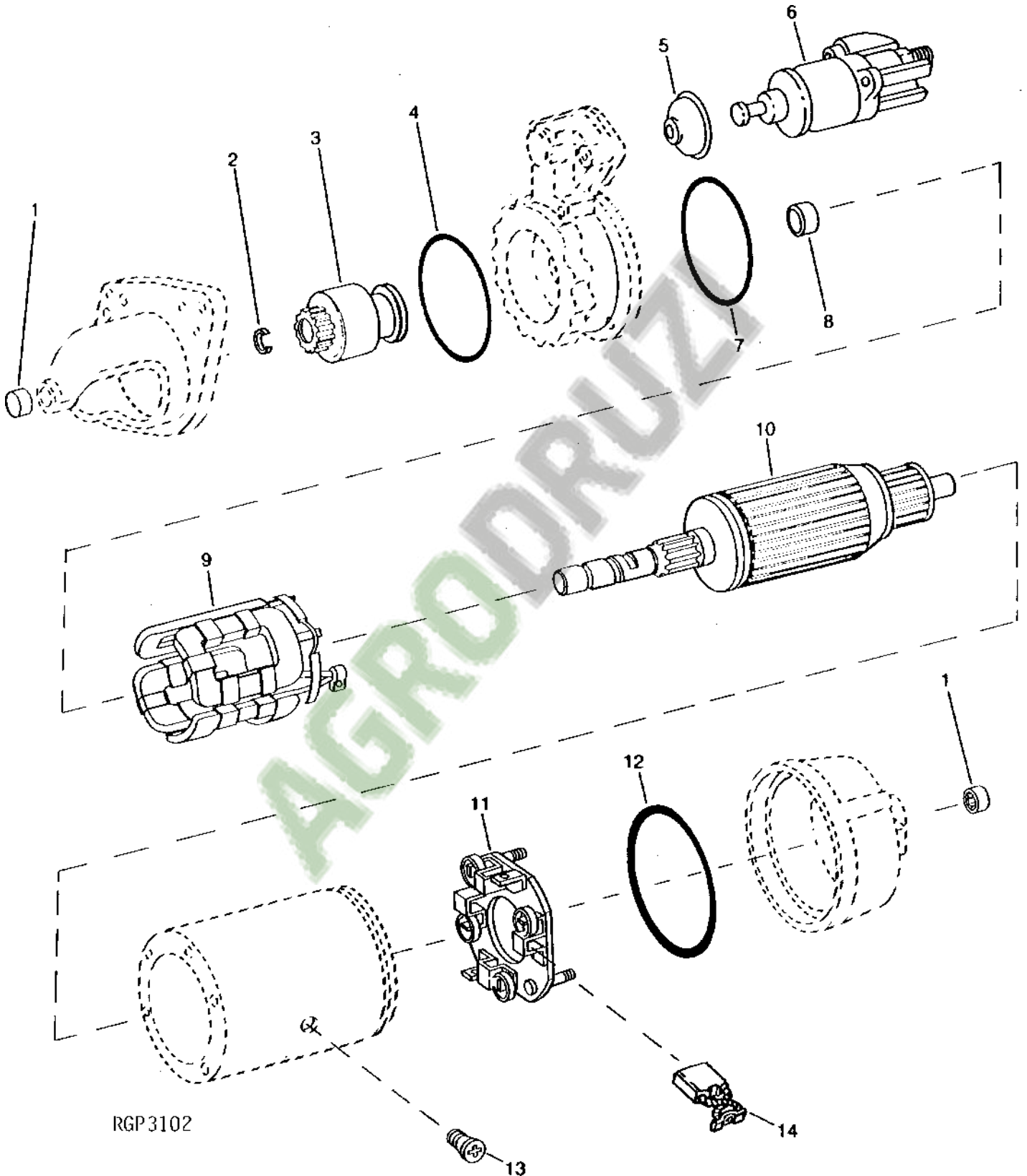
KEY	PART NO.	PART NAME	QTY	ENGINE SERIAL NO.	REMARKS
-----	----------	-----------	-----	-------------------	---------

AGRO DRUCK

1G21

6076 ENGINE (ENGINE SERIAL NUMBER -499999)

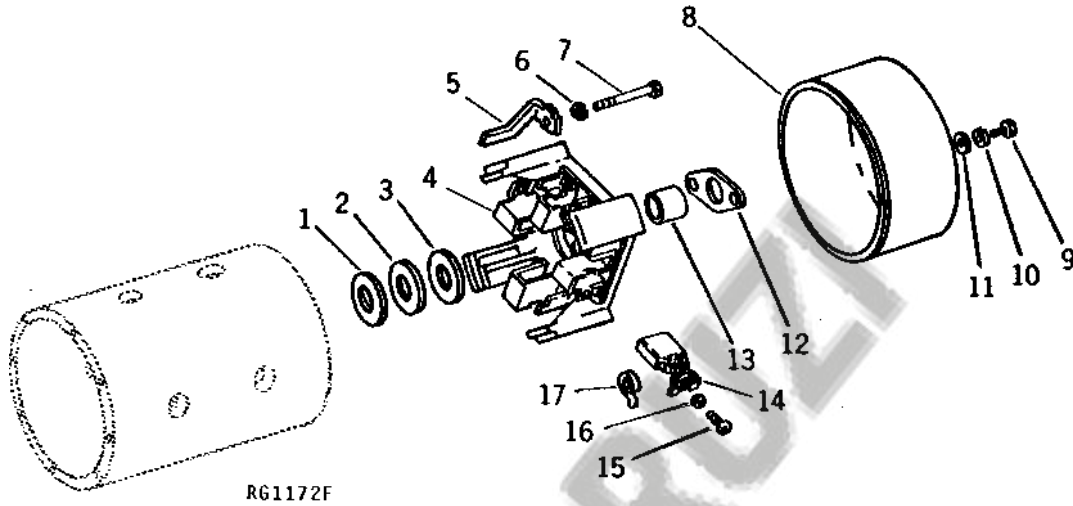
STARTING MOTOR (12V F4)
(DENSO NO. 128000-5972 OR 128000-5973)
(ENGINE SERIAL NO. 136851-499999)
RGP3102 -UN-01JAN94



1G23

6076 ENGINE (ENGINE SERIAL NUMBER -499999)

STARTER COMMUTATOR END FRAME
(12 VOLT) (JOHN DEERE)
(DENSO NO. 028000-3292)
(6076TH001 OR HH001) (ENGINE SERIAL NO. -136850)
RG1172 -UN-01JAN94



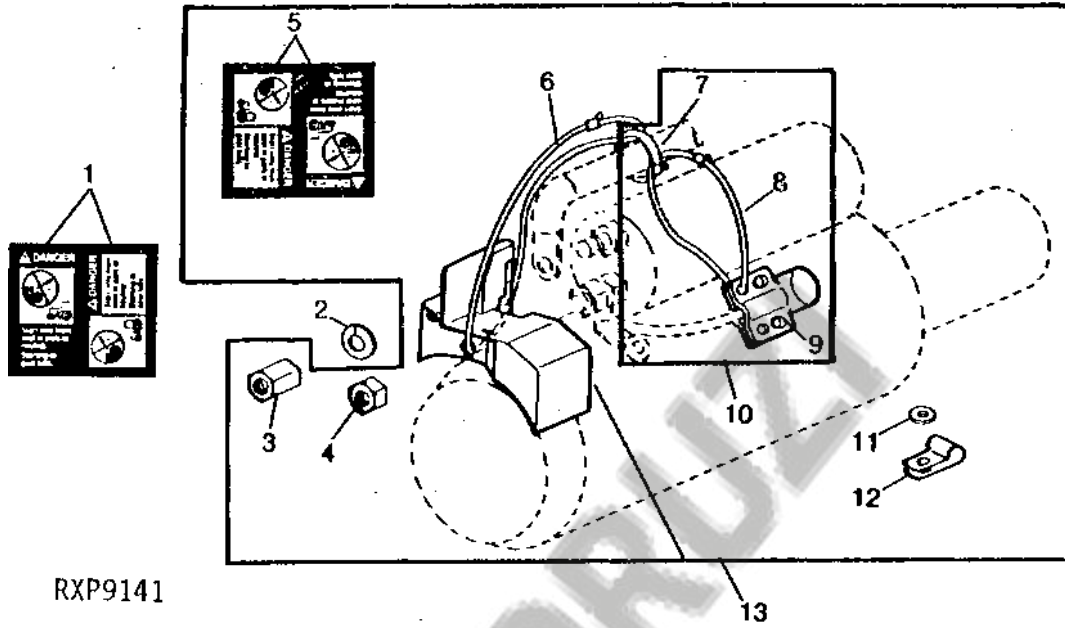
KEY	PART NO.	PART NAME	QTY	ENGINE SERIAL NO.	REMARKS
-----	----------	-----------	-----	-------------------	---------

AGRODRUG

1G24

6076 ENGINE (ENGINE SERIAL NUMBER -499999)

**STARTER SOLENOID COVER KIT
(DENSO)
(ENGINE SERIAL NO. -499999)
RXP9141 -UN-01JAN94**



RXP9141

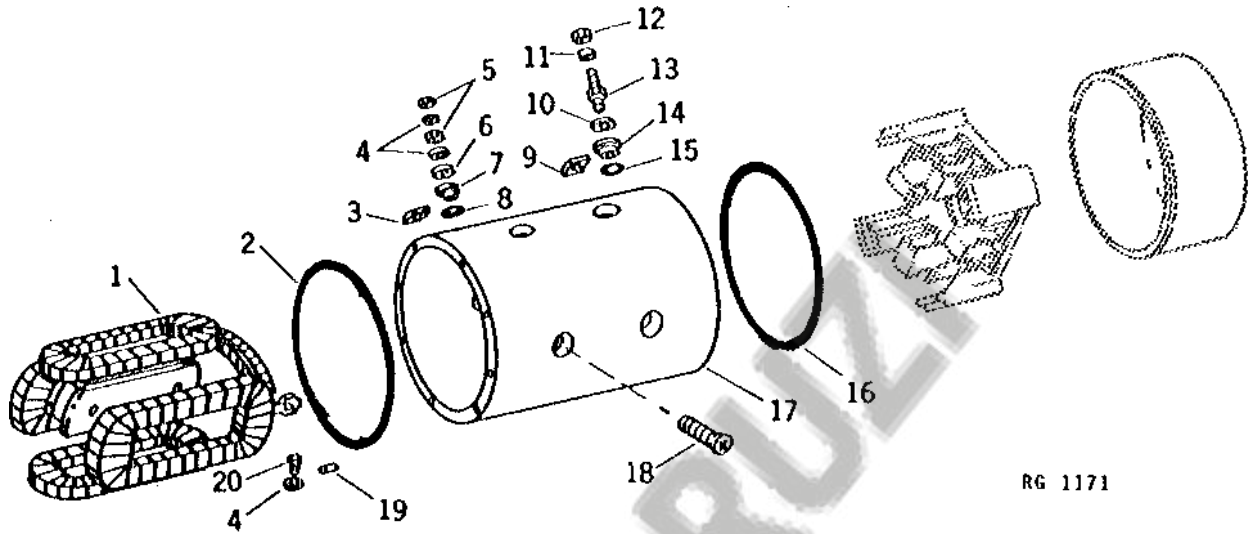
KEY	PART NO.	PART NAME	QTY	ENGINE SERIAL NO.	REMARKS
-----	----------	-----------	-----	-------------------	---------

AGRO DRAMA

1G25

6076 ENGINE (ENGINE SERIAL NUMBER -499999)

STARTER MAIN FRAME AND COIL
 (12 VOLT) (JOHN DEERE)
 (DENSO NO. 028000-3292)
 (ENGINE SERIAL NO. -136850)
 RG1171 -UN-01JAN94



RG 1171

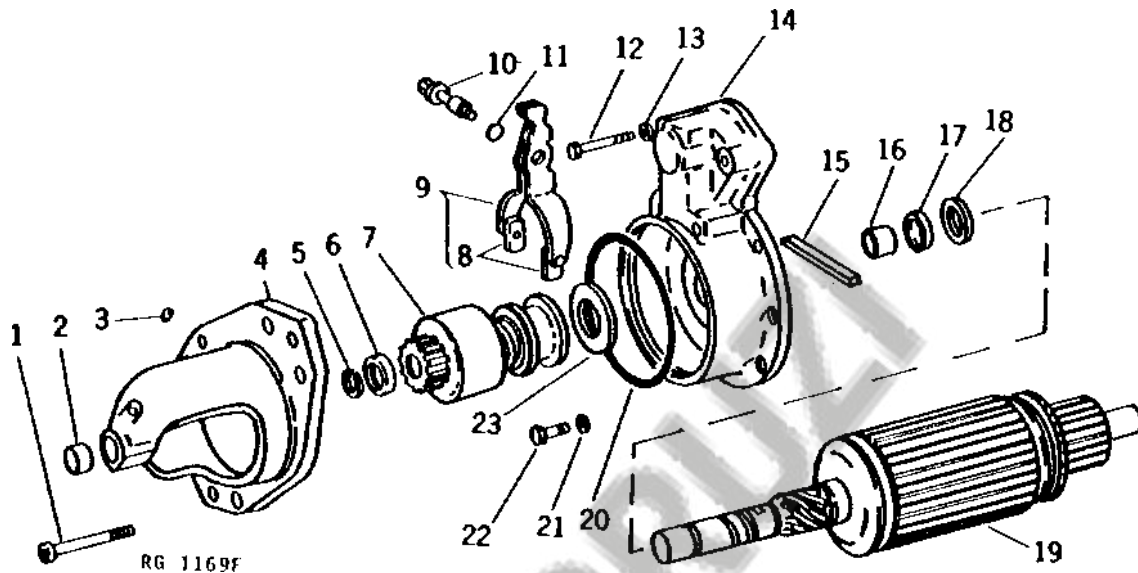
KEY	PART NO.	PART NAME	QTY	ENGINE SERIAL NO.	REMARKS
-----	----------	-----------	-----	-------------------	---------

AGRO DRUZE

1H1

6076 ENGINE (ENGINE SERIAL NUMBER -499999)

STARTER DRIVE HOUSING AND ARMATURE
 (12 VOLT) (JOHN DEERE)
 (DENSO NO. 028000-3292)
 (ENGINE SERIAL NO. -136850)
 RG1169 -UN-01JAN94



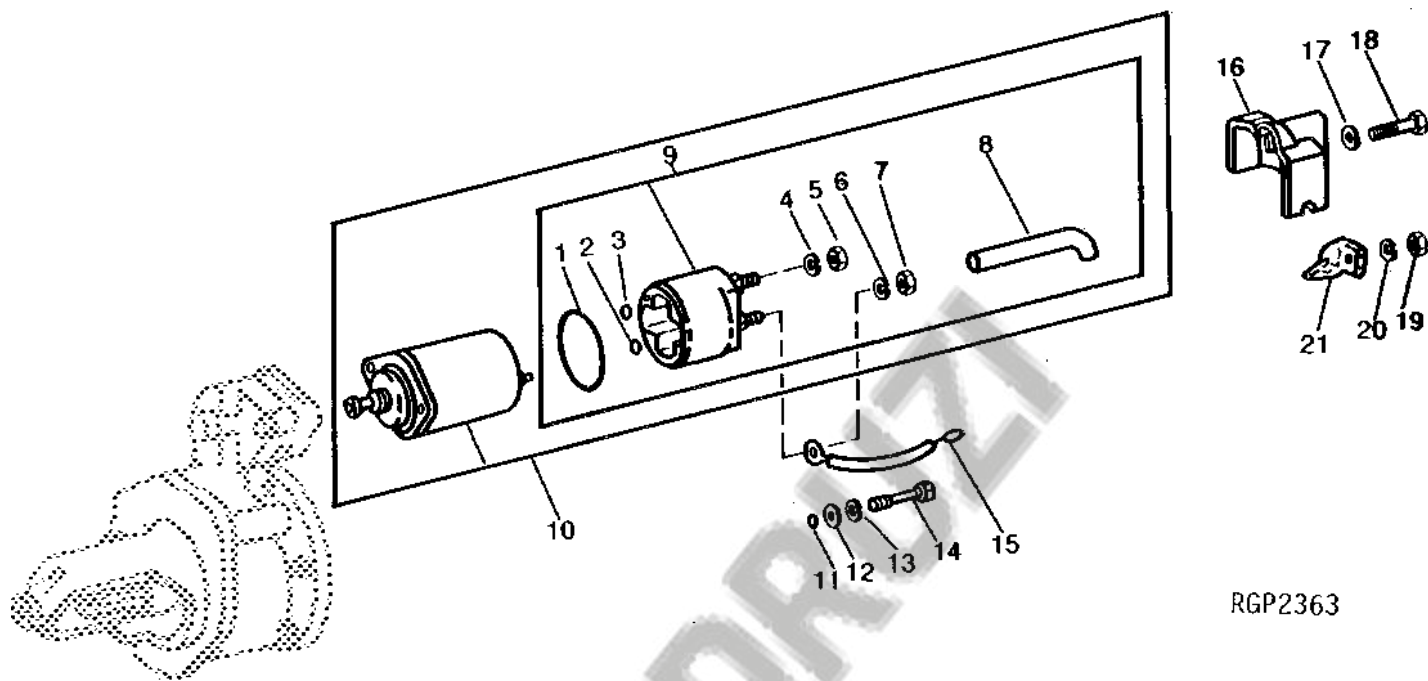
KEY	PART NO.	PART NAME	QTY	ENGINE SERIAL NO.	REMARKS
-----	----------	-----------	-----	-------------------	---------

AGRODITA

1H2

6076 ENGINE (ENGINE SERIAL NUMBER -499999)

STARTER SOLENOID SWITCH
 (12 VOLT) (JOHN DEERE)
 (DENSO NO. 028000-3292)
 (ENGINE SERIAL NO. -136850)
 RGP2363 -UN-01JAN94



RGP2363

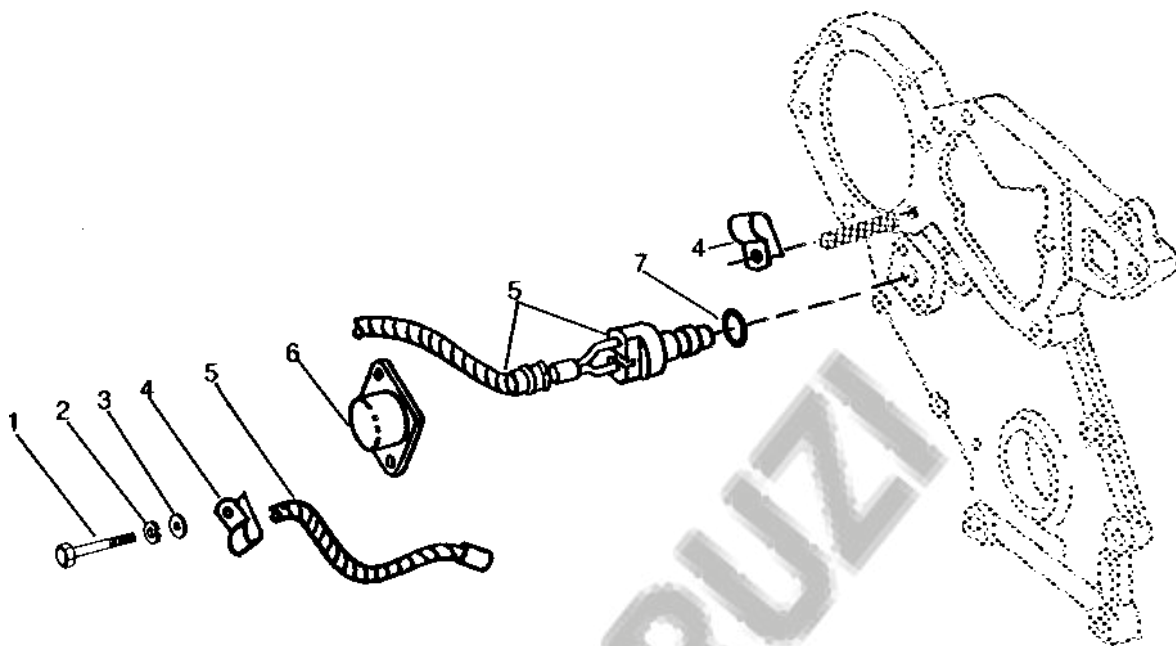
KEY	PART NO.	PART NAME	QTY	ENGINE SERIAL NO.	REMARKS
-----	----------	-----------	-----	-------------------	---------

AGRODRAMA

1H3

6076 ENGINE (ENGINE SERIAL NUMBER -499999)

MAGNETIC PICK-UP
(ENGINE SERIAL NO. -499999)
RGP1236 -UN-01JAN94

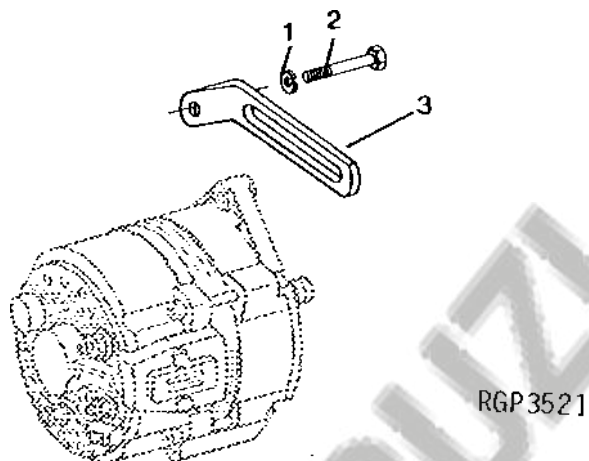


RGP1236

KEY	PART NO.	PART NAME	QTY	ENGINE SERIAL NO.	REMARKS
-----	----------	-----------	-----	-------------------	---------

AGRODRUZI

ALTERNATOR ADJUSTING STRAP
(6076)
(ENGINE SERIAL NO. -499999)
RGP3521 -UN-01JAN94



KEY	PART NO.	PART NAME	QTY	ENGINE SERIAL NO.	REMARKS
-----	----------	-----------	-----	-------------------	---------

AGRO DRUZI

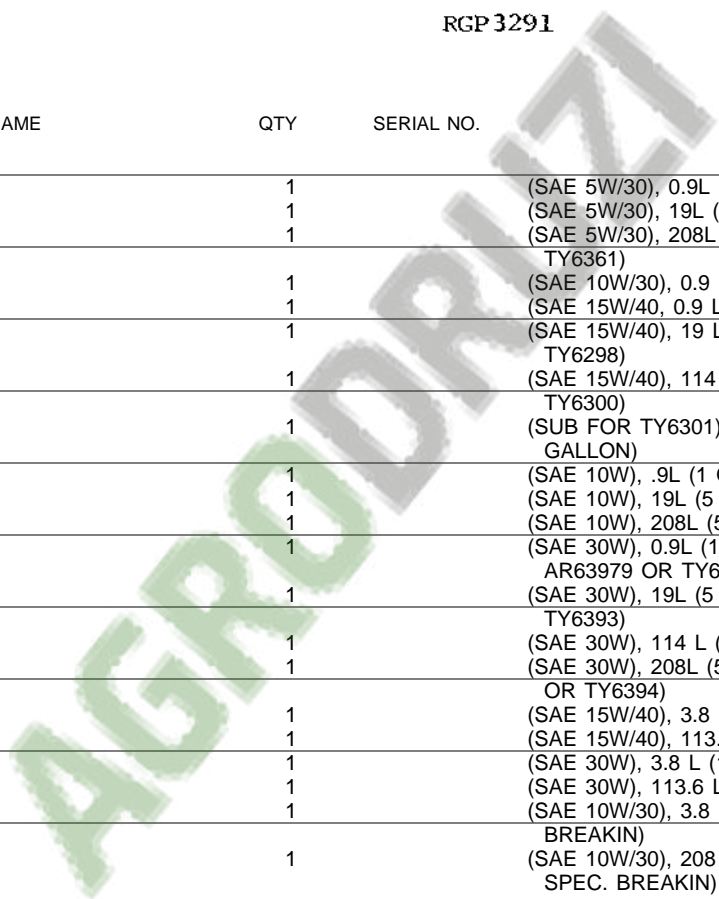
TORQ-GARD SUPREME AND PLUS-50 ENGINE OIL

RGP3291 -UN-01JAN94



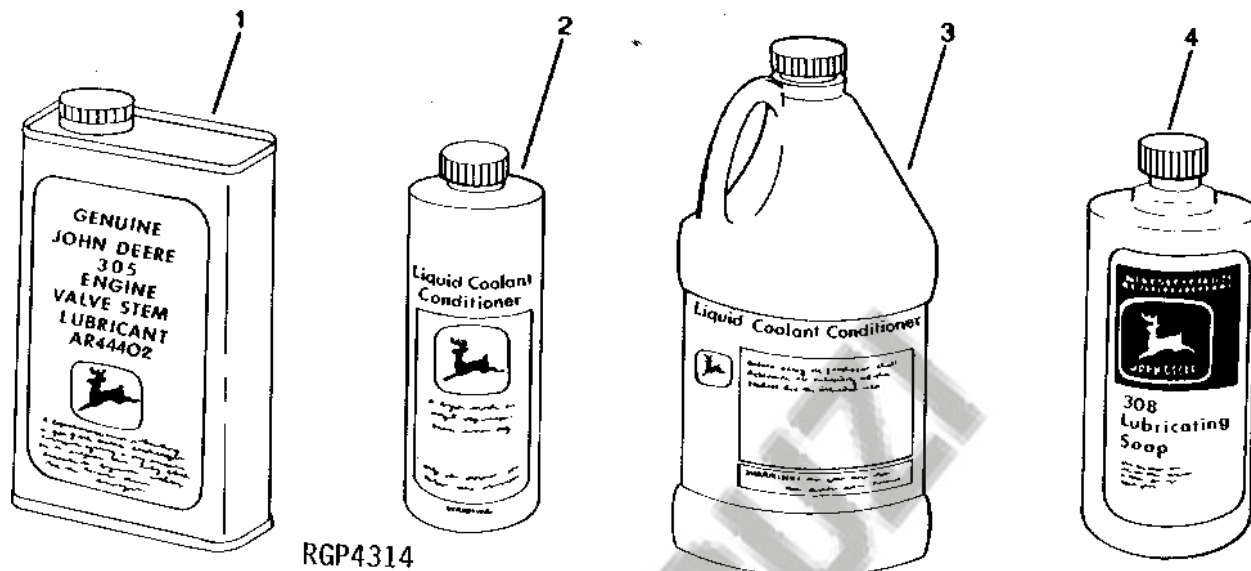
RGP 3291

KEY	PART NO.	PART NAME	QTY	SERIAL NO.	REMARKS
1	TY22064	OIL	1		(SAE 5W/30), 0.9L (1 QUART) (SUB FOR TY6359)
	TY22065	OIL	1		(SAE 5W/30), 19L (5 GALLON) (SUB FOR TY6360)
	TY22066	OIL	1		(SAE 5W/30), 208L (55 GALLON) (SUB FOR TY6361)
	TY6364	OIL	1		(SAE 10W/30), 0.9 L (1 QUART) (BREAKIN)
	TY6389	OIL	1		(SAE 15W/40), 0.9 L (1 QUART) (SUB FOR TY6297)
	TY6390	OIL	1		(SAE 15W/40), 19 L (5 GALLON) (SUB FOR TY6298)
	TY22010	OIL	1		(SAE 15W/40), 114 L (30 GALLON) (SUB FOR TY6300)
	TY6391	OIL	1		(SUB FOR TY6301) (SAE 15W/40), 208 L (55 GALLON)
	TY22067	OIL	1		(SAE 10W), .9L (1 GALLON) (SUB FOR TY22009)
	TY22068	OIL	1		(SAE 10W), 19L (5 GALLON) (SUB FOR TY6312)
	TY22069	OIL	1		(SAE 10W), 208L (55 GALLON) (SUB FOR TY6313)
	TY22070	OIL	1		(SAE 30W), 0.9L (1 GALLON) (SUB FOR AR63218, AR63979 OR TY6392)
	TY22073	OIL	1		(SAE 30W), 19L (5 GALLON) (SUB FOR AR63219 OR TY6393)
	TY6280	OIL	1		(SAE 30W), 114 L (30 GALLON)
	TY22074	OIL	1		(SAE 30W), 208L (55 GALLON) (SUB FOR AR63222 OR TY6394)
2	TY22008	OIL	1		(SAE 15W/40), 3.8 L (1 GALLON)
	TY22010	OIL	1		(SAE 15W/40), 113.6 L (30 GALLON)
	TY22071	OIL	1		(SAE 30W), 3.8 L (1 GALLON) (SUB FOR TY22007)
	TY22011	OIL	1		(SAE 30W), 113.6 L (30 GALLON)
..	TY22041	OIL	1		(SAE 10W/30), 3.8 L (1 GALLON) (FACTORY SPEC BREAKIN)
..	TY22042	OIL	1		(SAE 10W/30), 208 L (55 GALLON) (FACTORY SPEC. BREAKIN)



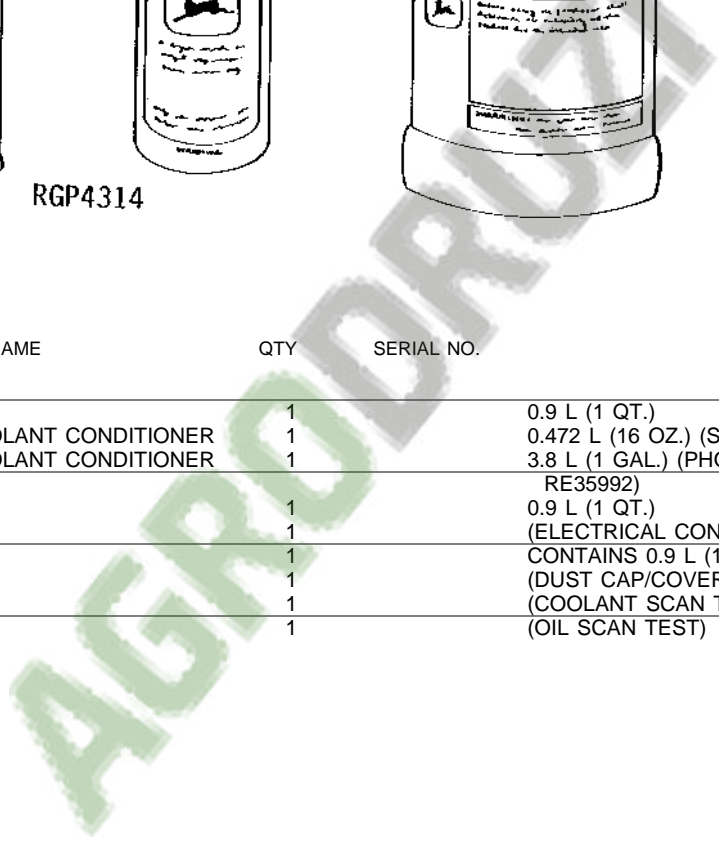
COOLANT CONDITIONER AND ENGINE PART LUBRICANTS

RGP4314 -UN-01JAN94



RGP4314

KEY	PART NO.	PART NAME	QTY	SERIAL NO.	REMARKS
1	AR44402	OIL	1		0.9 L (1 QT.)
2	TY16004	ENGINE COOLANT CONDITIONER	1		0.472 L (16 OZ.) (SUB FOR RE23182)
3	TY16005	ENGINE COOLANT CONDITIONER	1		3.8 L (1 GAL.) (PHOSPHATE - FREE) (SUB FOR RE35992)
4	AR54749	LUBRICANT	1		0.9 L (1 QT.)
	AT66865	LUBRICANT	1		(ELECTRICAL CONNECTIONS) (NOT SHOWN)
..	AR41785	KIT	1		CONTAINS 0.9 L (1 QT.) (OFF-SEASON STORAGE)
..	AR21969	KIT	1		(DUST CAP/COVER KIT)
..	DS0251	KIT	1		(COOLANT SCAN TEST)
..	IPSKIT1	KIT	1		(OIL SCAN TEST)

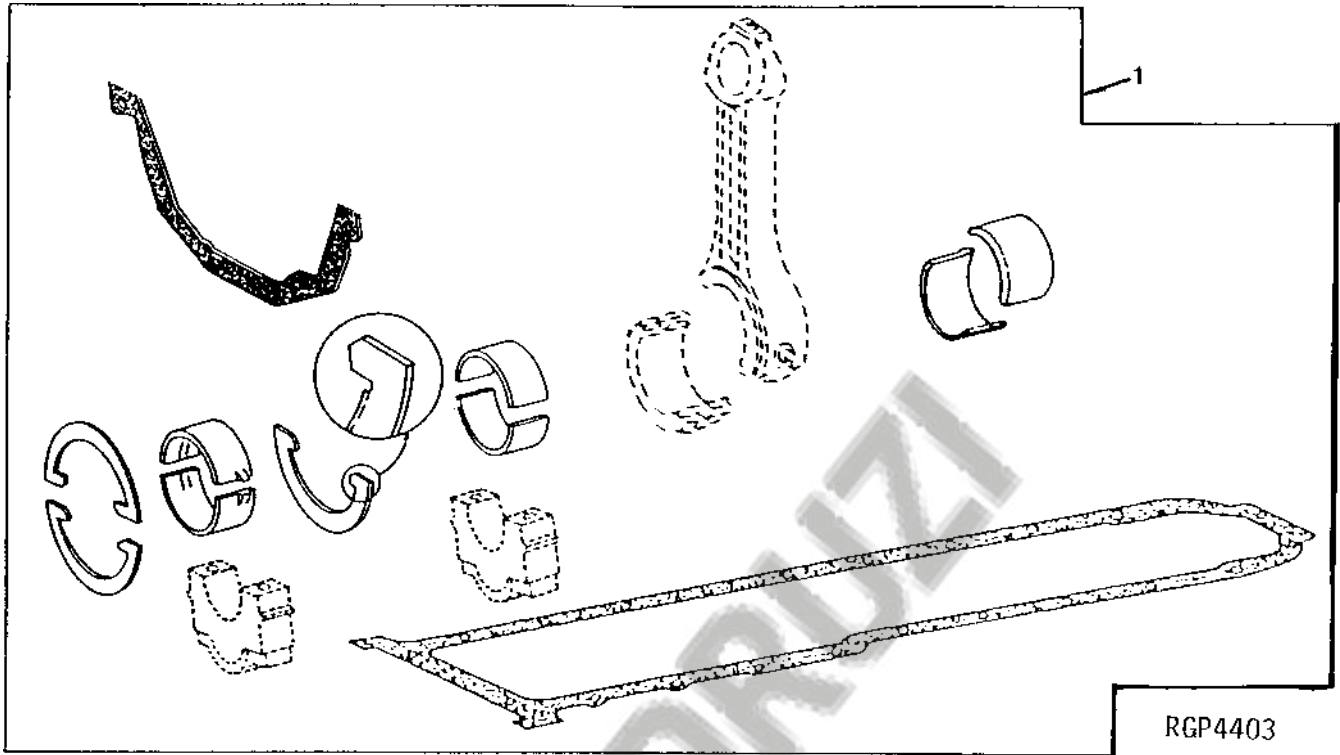


2C10

6076 ENGINE (ENGINE SERIAL NUMBER 50000-)

ENGINE UNDERHAUL KIT (STD BRGS)

(6076)
RGP4403 -UN-14DEC94



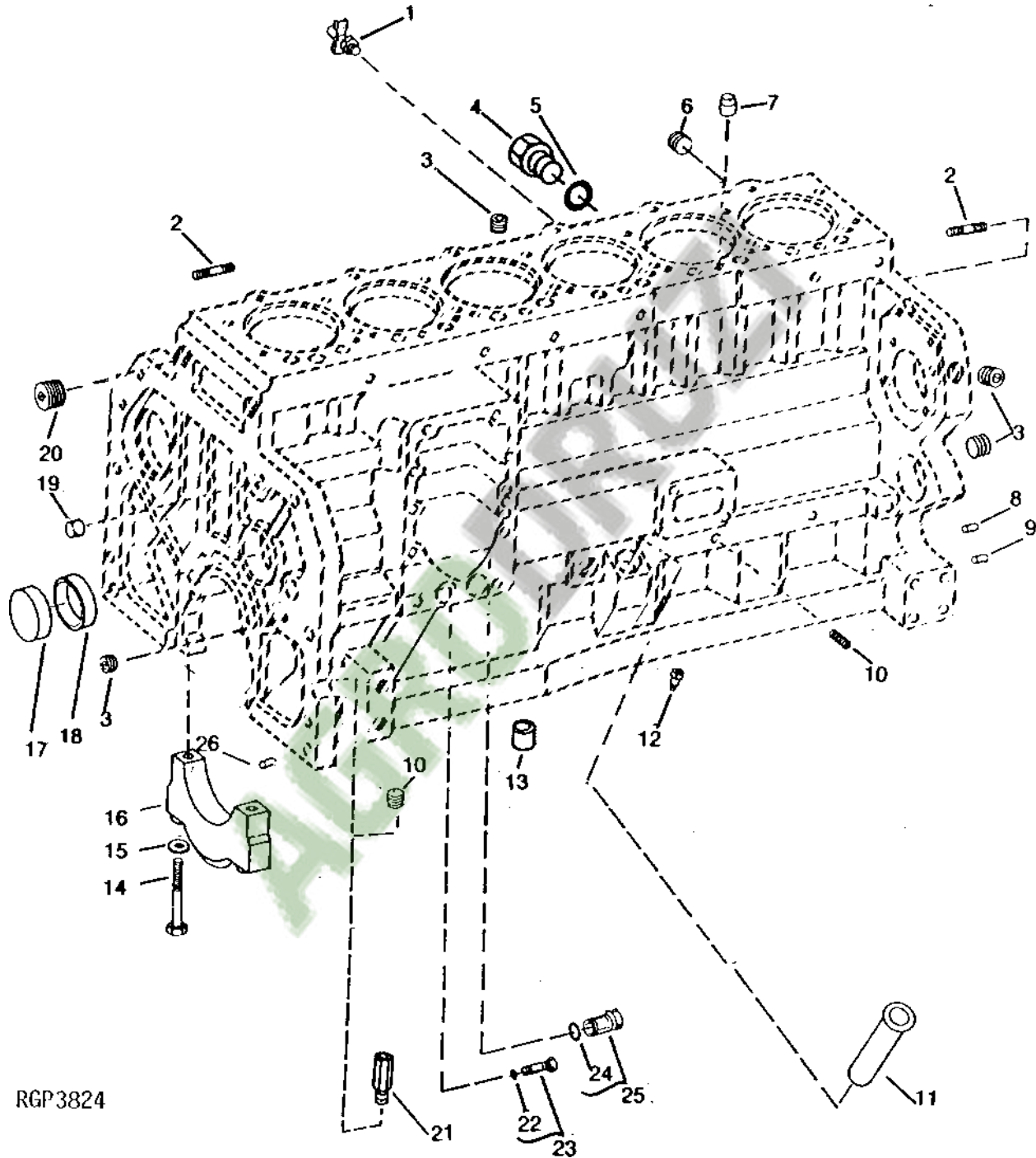
KEY	PART NO.	PART NAME	QTY	ENGINE SERIAL NO.	REMARKS
1	RG23426	KIT	1		(INCLUDES STD BRGS, OIL PAN GASKET, AND SPLIT GASKETS) (SUB FOR RG22789)

AGRO DRIZI

2C11

6076 ENGINE (ENGINE SERIAL NUMBER 500000-)

CYLINDER BLOCK FITTINGS
(ENGINE SERIAL NO. 500000-)
RGP3824 -UN-01JAN94

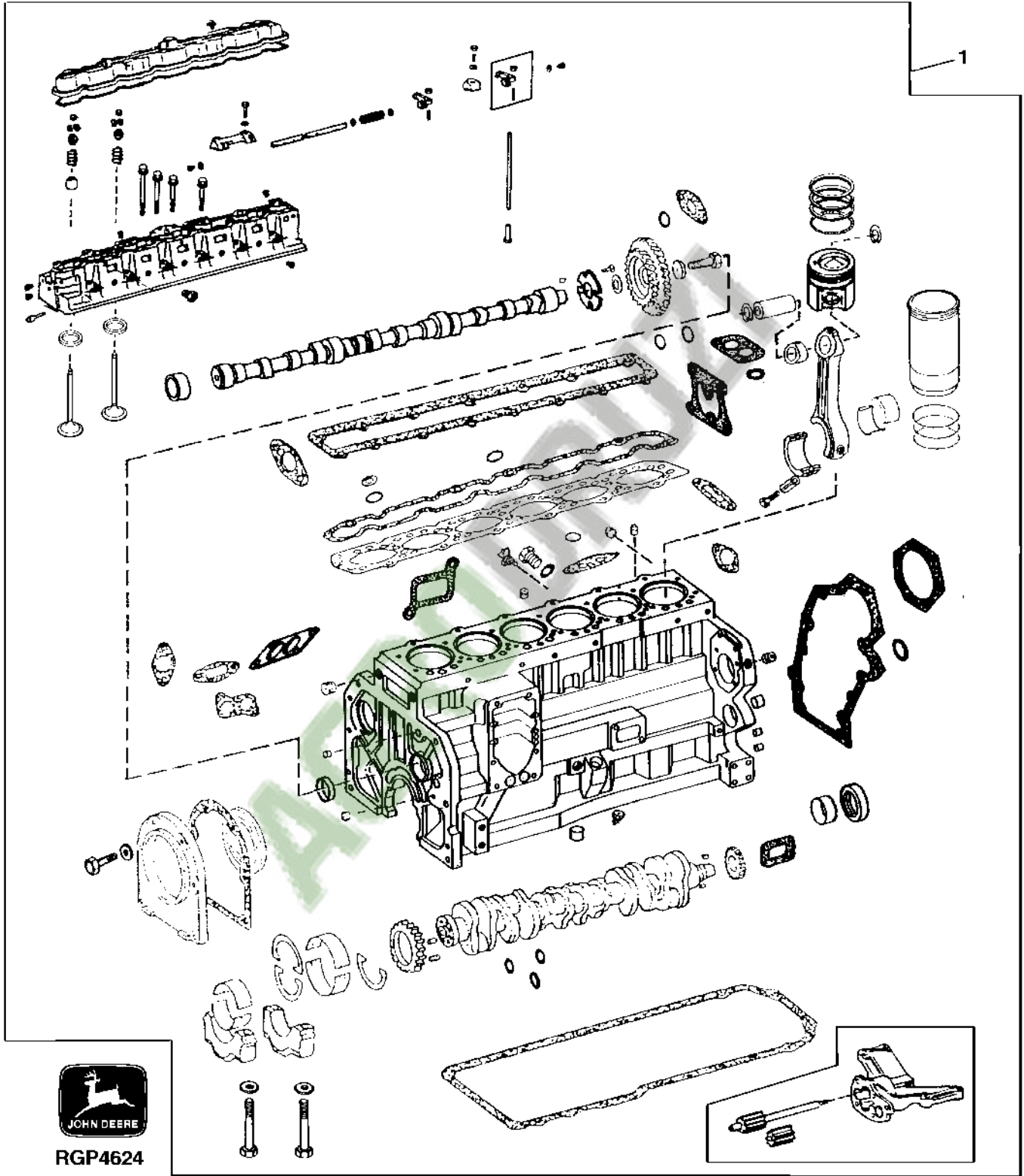


RGP3824

2C13

6076 ENGINE (ENGINE SERIAL NUMBER 500000-)

COMPLETE BLOCK ASSEMBLY
(ENGINE SERIAL NO. 500000-)
RGP4624 -UN-13DEC95

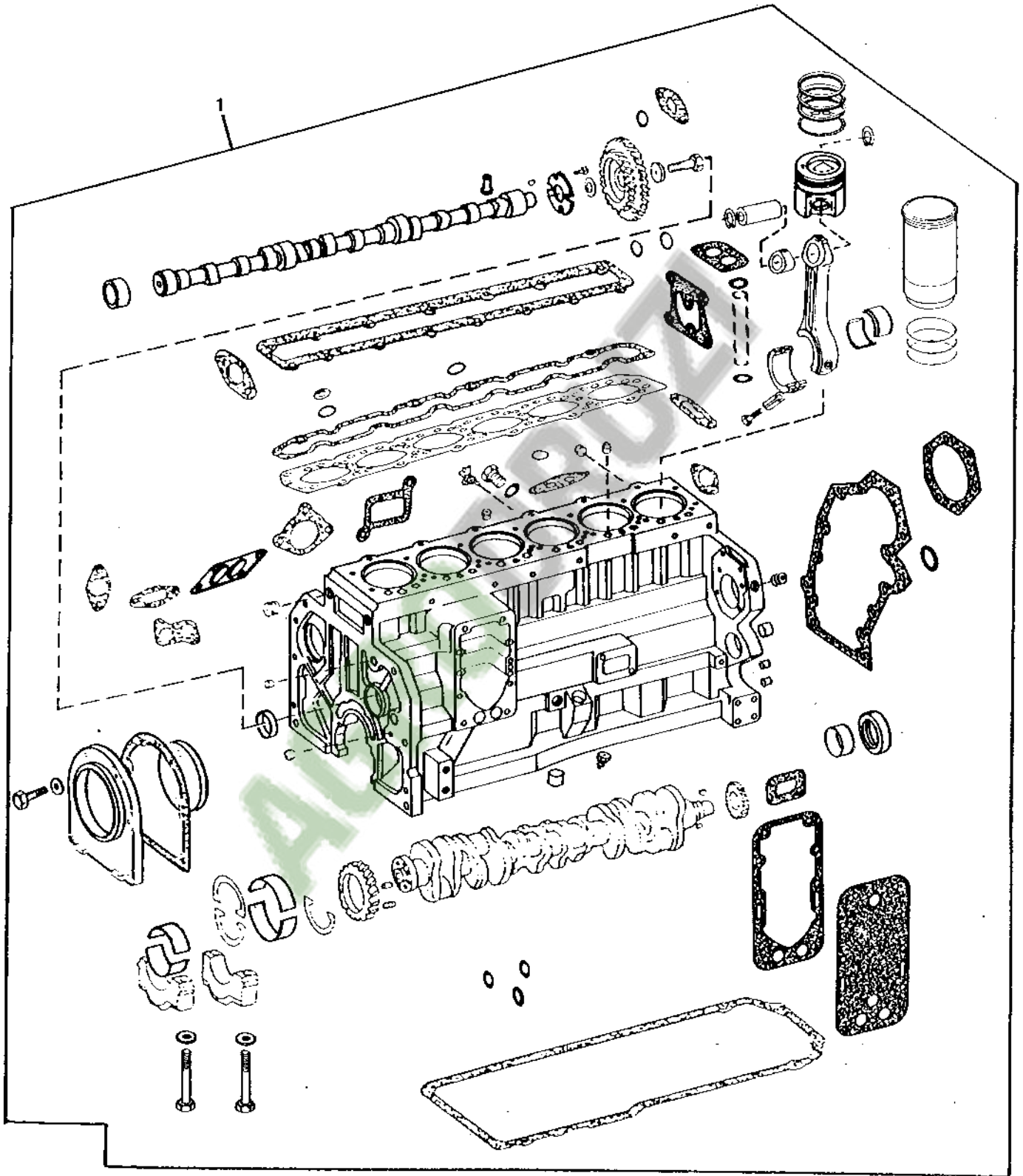


RGP4624

2C15

6076 ENGINE (ENGINE SERIAL NUMBER 500000-)

ENGINE SHORT BLOCK
(ENGINE SERIAL NO. 500000-)
(WITHOUT HEAD BOLTS)
RGP3581 -UN-01JAN94



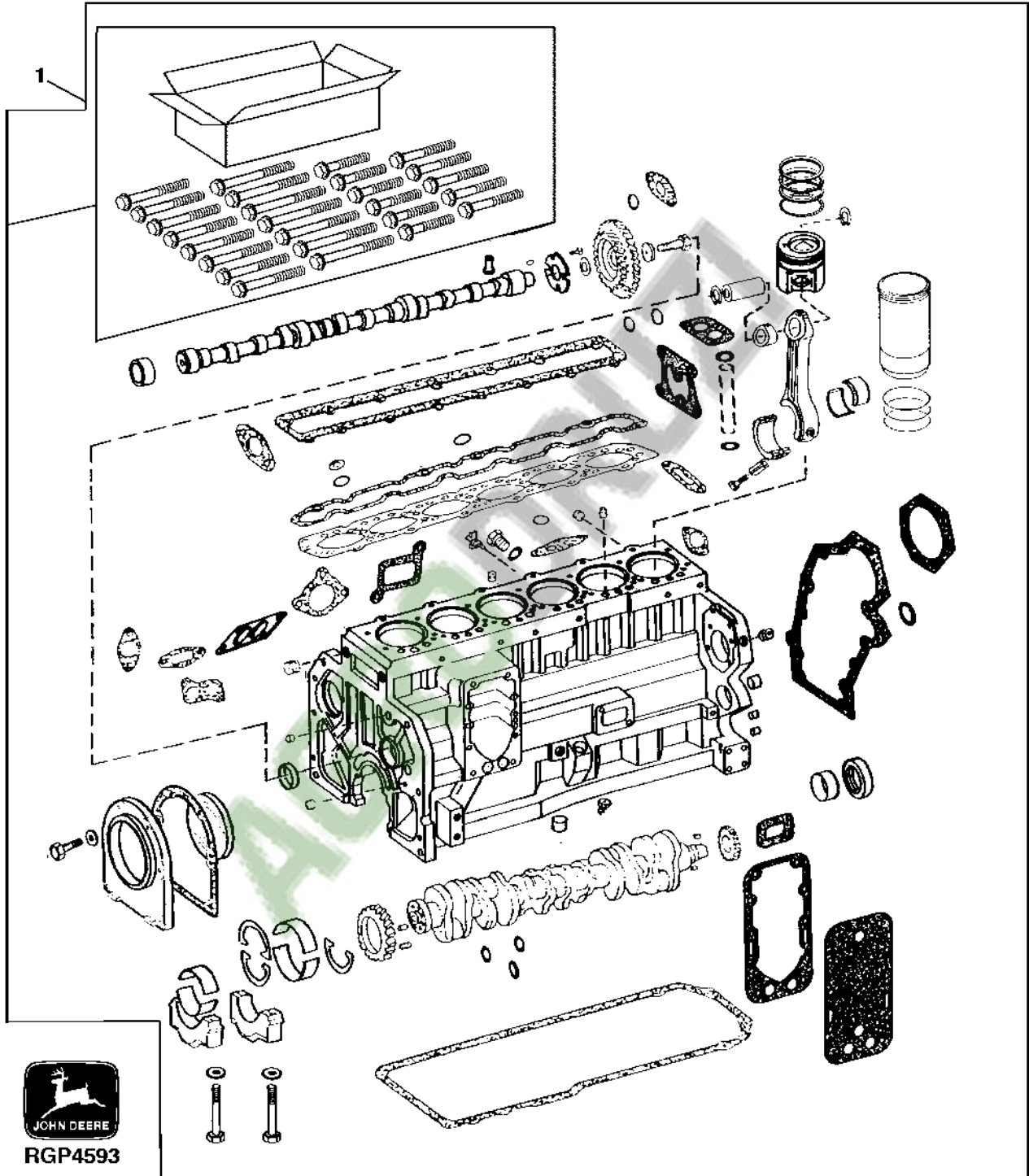
RGP3581

94

2C17

6076 ENGINE (ENGINE SERIAL NUMBER 50000-)

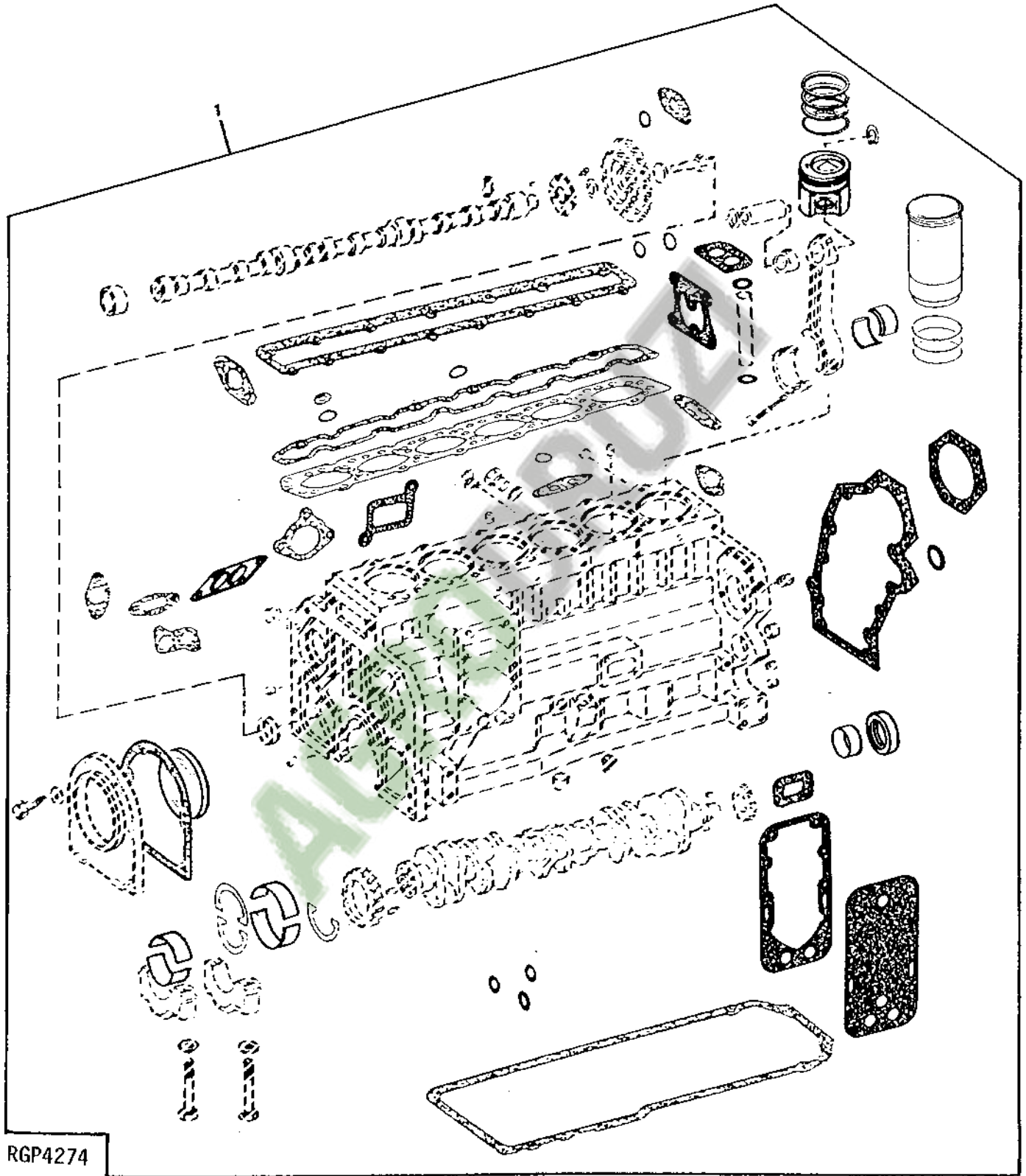
**ENGINE SHORT BLOCK
(WITH HEAD BOLTS)**
RGP4593 -UN-26OCT95



2C19

6076 ENGINE (ENGINE SERIAL NUMBER 500000-)

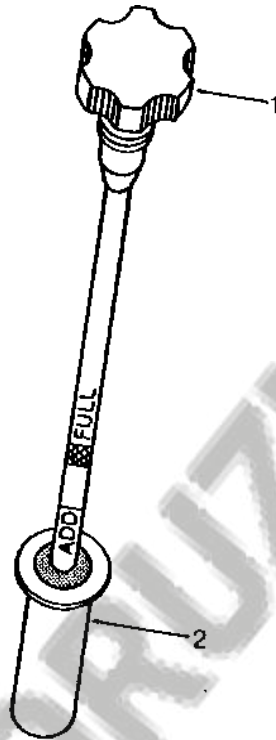
ENGINE OVERHAUL KIT(S) (STD/US BRGS, OR EXPANDED)
(ENGINE SERIAL NO. 500000-)
RGP4274 -UN-01JAN94



2C21

6076 ENGINE (ENGINE SERIAL NUMBER 500000-)

ENGINE OIL DIPSTICK AND TUBE
(ENGINE SERIAL NO. 500000-)
RGP3592 -UN-01JAN94

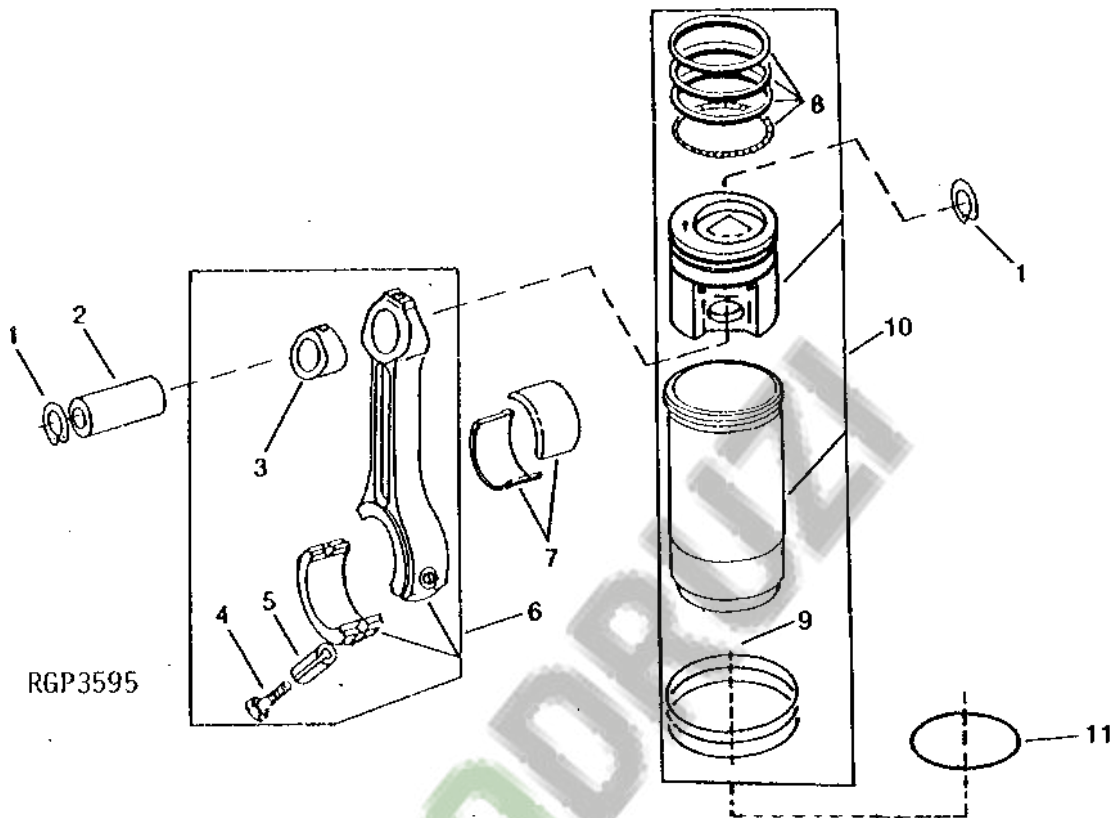


RGP3592

KEY	PART NO.	PART NAME	QTY	ENGINE SERIAL NO.	REMARKS
-----	----------	-----------	-----	-------------------	---------

PISTON, RINGS, LINERS AND CONNECTING RODS

(6076) (ESN 50000-)
 RGP3595 -UN-01JAN94



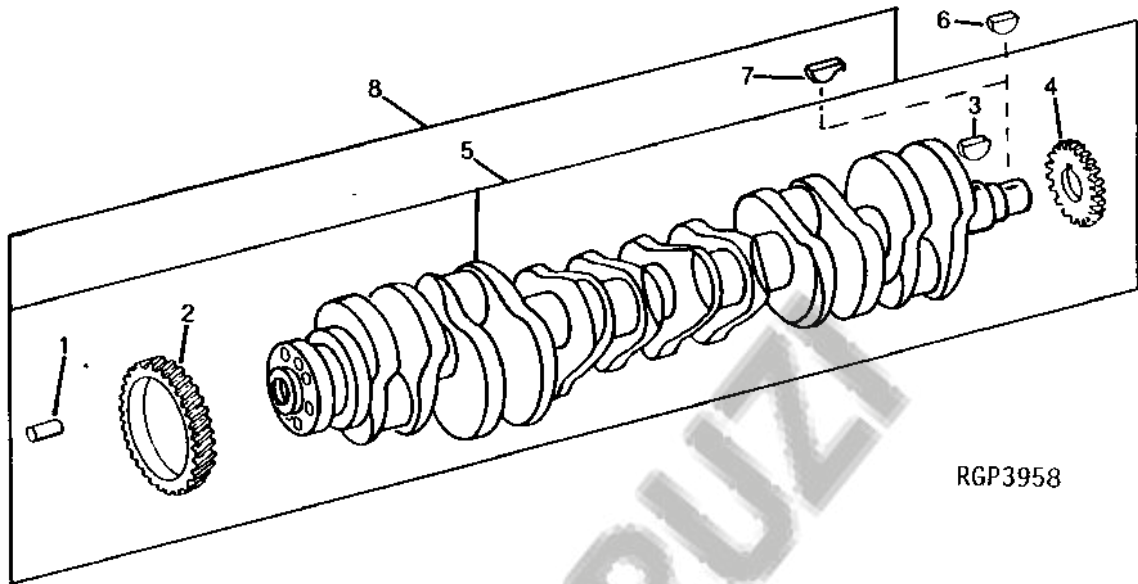
KEY	PART NO.	PART NAME	QTY	ENGINE SERIAL NO.	REMARKS
-----	----------	-----------	-----	-------------------	---------

AGRODIP

2C23

6076 ENGINE (ENGINE SERIAL NUMBER 500000-)

CRANKSHAFT
 (ENGINE SERIAL NO. 500000-)
 RGP3958 -UN-01JAN94



RGP3958

KEY	PART NO.	PART NAME	QTY	ENGINE SERIAL NO.	REMARKS
-----	----------	-----------	-----	-------------------	---------

AGRODRUZI

2C24

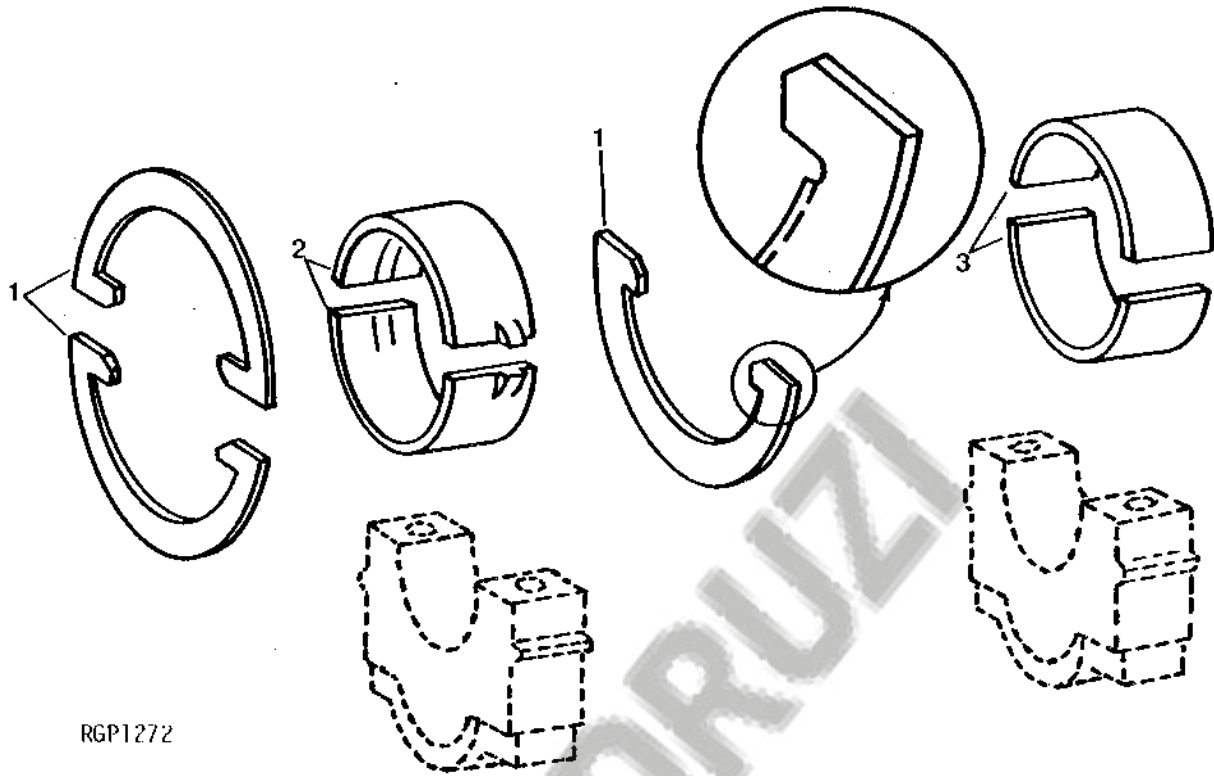
6076 ENGINE (ENGINE SERIAL NUMBER 50000-)

MAIN AND MAIN THRUST BEARINGS

(6076)

RGP1272

-UN-01JAN94



RGP1272

KEY	PART NO.	PART NAME	QTY	ENGINE SERIAL NO.	REMARKS
-----	----------	-----------	-----	-------------------	---------

AGRODRUZI

2C25

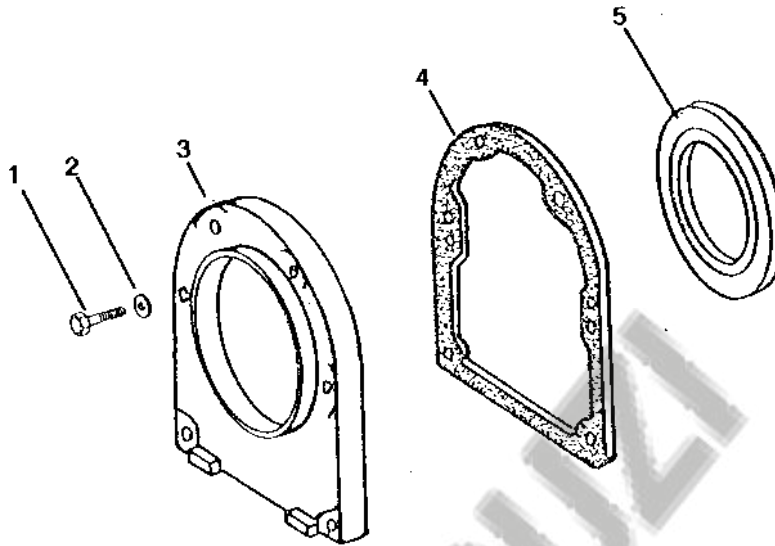
6076 ENGINE (ENGINE SERIAL NUMBER 50000-)

CRANKSHAFT OIL SEAL AND HOUSING

(6076)

RGP2382

-UN-01JAN94



RGP2382

KEY	PART NO.	PART NAME	QTY	ENGINE SERIAL NO.	REMARKS
-----	----------	-----------	-----	-------------------	---------

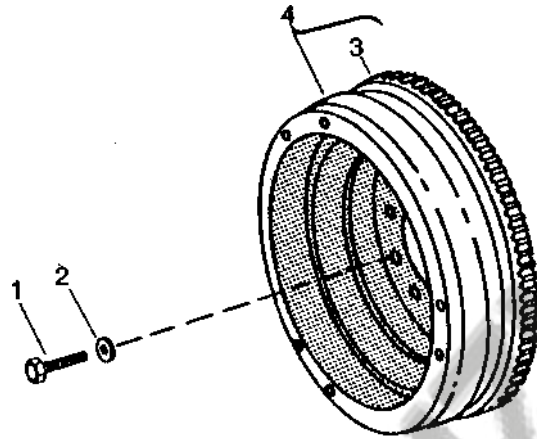
AGRO DRUZ

2D1

6076 ENGINE (ENGINE SERIAL NUMBER 50000-)

FLYWHEEL
RGP198

-UN-01JAN94

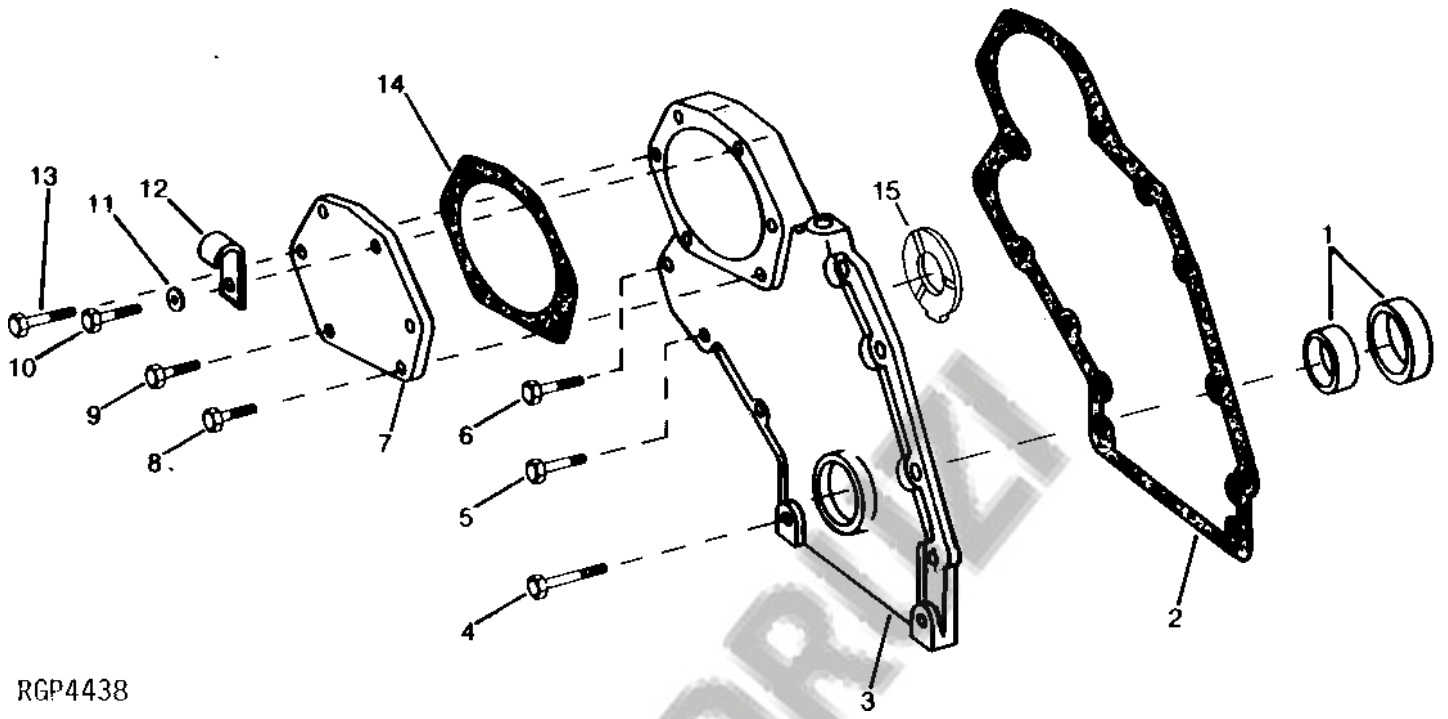


RGP198

KEY	PART NO.	PART NAME	QTY	ENGINE SERIAL NO.	REMARKS
-----	----------	-----------	-----	-------------------	---------

AGRODRUZI

TIMING GEAR COVER AND FRONT OIL SEAL
 (ENGINE SERIAL NO. 500000-)
 RGP4438 -UN-28FEB95



RGP4438

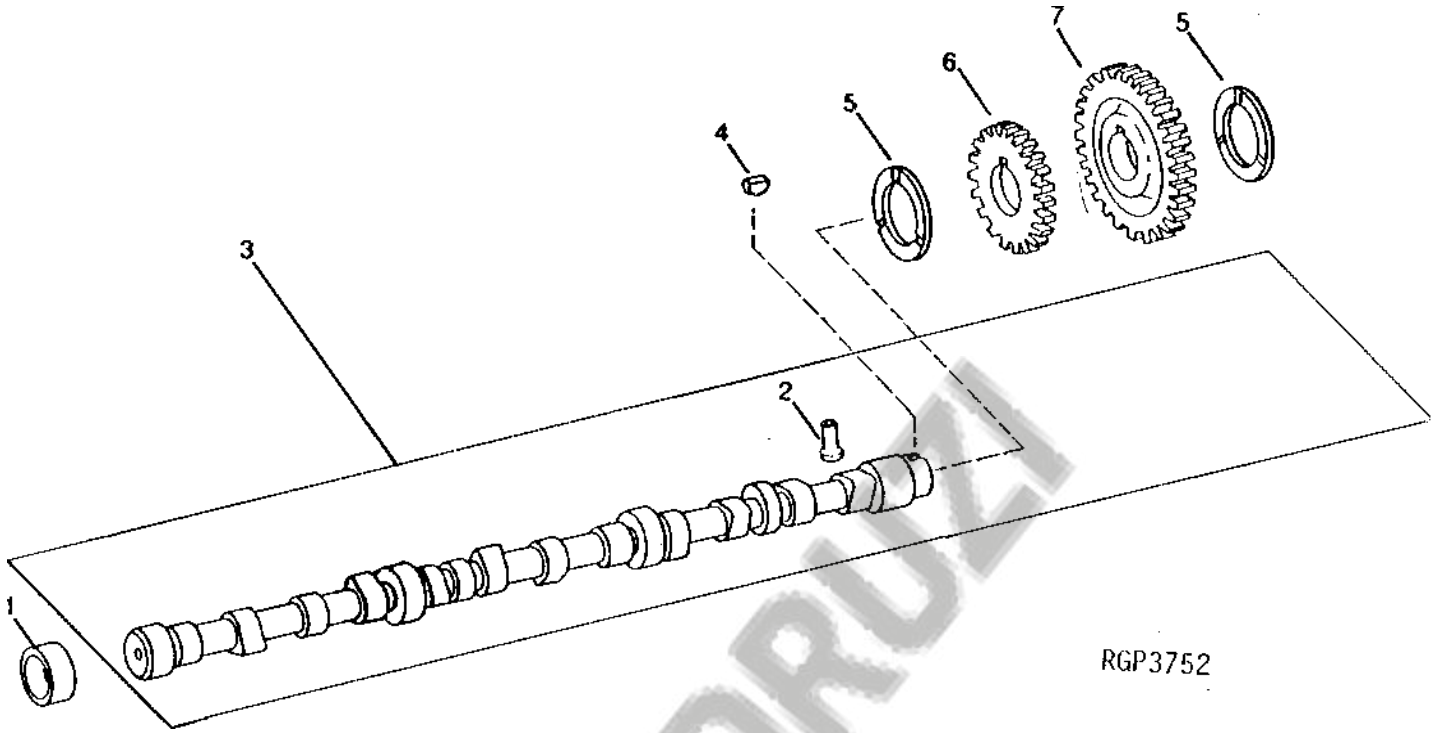
KEY	PART NO.	PART NAME	QTY	ENGINE SERIAL NO.	REMARKS
-----	----------	-----------	-----	-------------------	---------

AGRODRAMA

2D3

6076 ENGINE (ENGINE SERIAL NUMBER 500000-)

CAMSHAFT AND GEAR
 (ENGINE SERIAL NO. 500000-)
 RGP3752 -UN-01JAN94



RGP3752

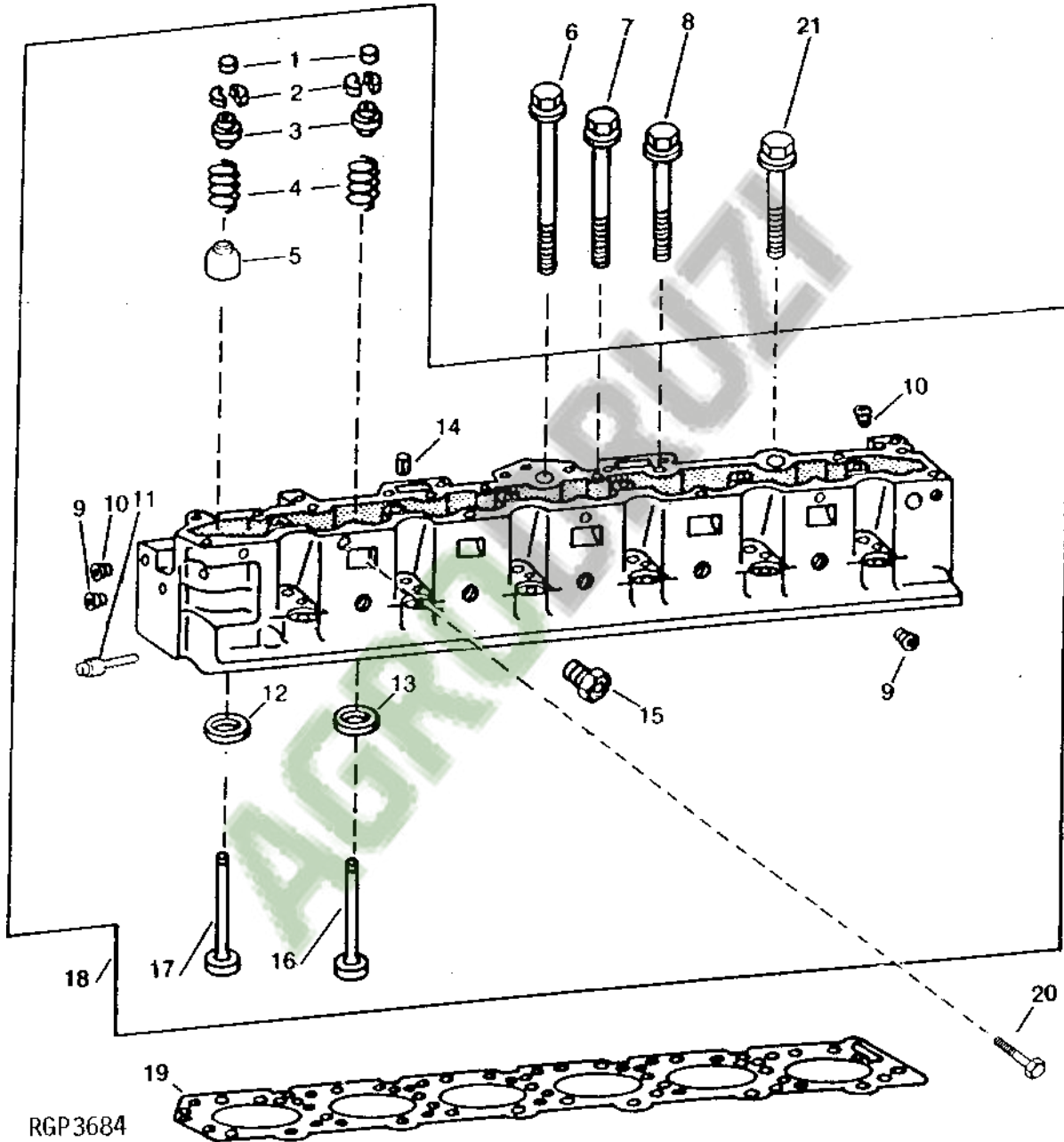
KEY	PART NO.	PART NAME	QTY	ENGINE SERIAL NO.	REMARKS
-----	----------	-----------	-----	-------------------	---------

AGRO DRUK

2D4

6076 ENGINE (ENGINE SERIAL NUMBER 500000-)

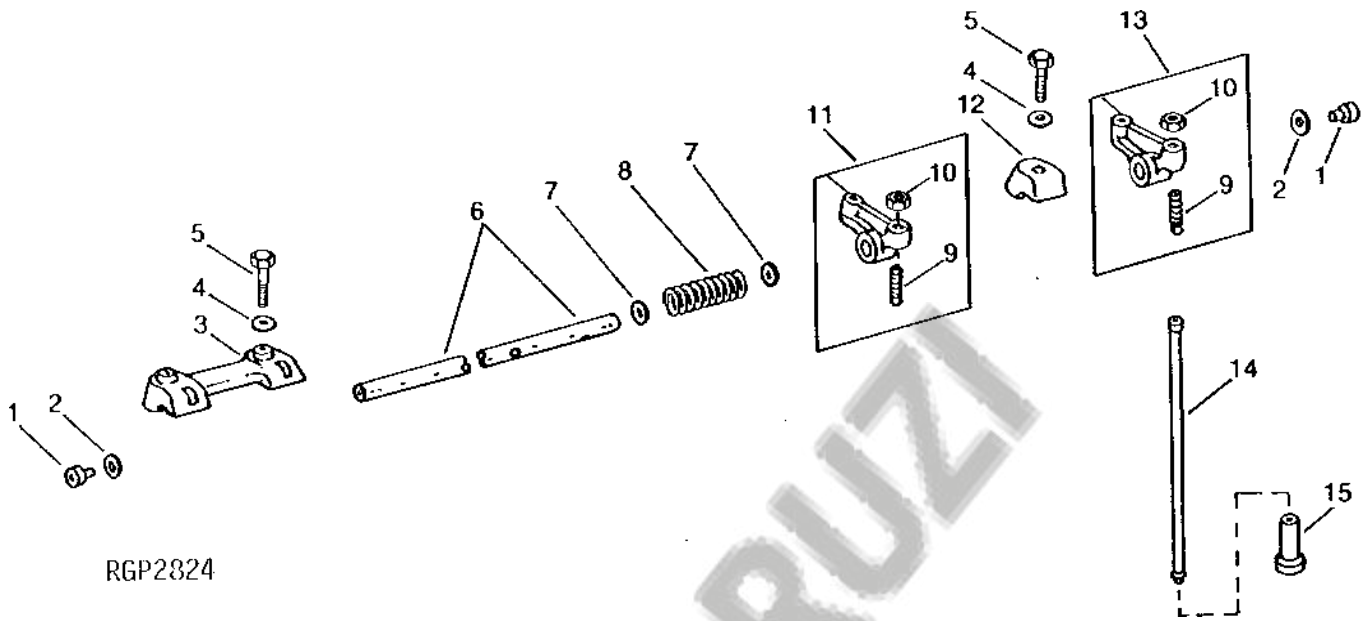
CYLINDER HEAD AND VALVES
(ENGINE SERIAL NO. 500000-)
RGP3684 -UN-01JAN94



2D6

6076 ENGINE (ENGINE SERIAL NUMBER 500000-)

ROCKER ARMS, SHAFT AND PUSH RODS
(ENGINE SERIAL NO. 500000-)
 RGP2824 -UN-01JAN94



RGP2824

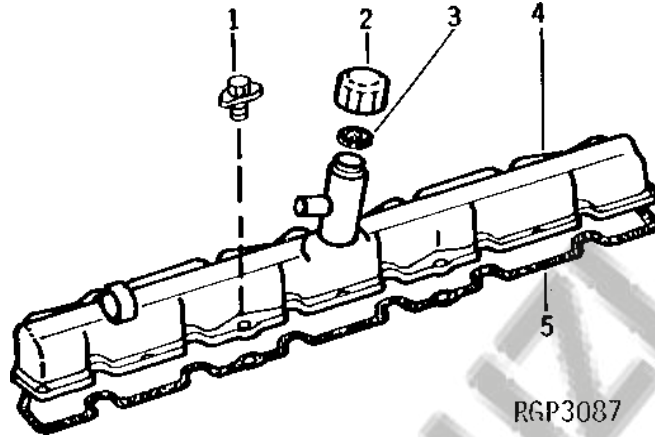
KEY	PART NO.	PART NAME	QTY	ENGINE SERIAL NO.	REMARKS

AGRO DRUZI

2D7

6076 ENGINE (ENGINE SERIAL NUMBER 50000-)

ROCKER ARM COVER
RGP3087 -UN-01JAN94



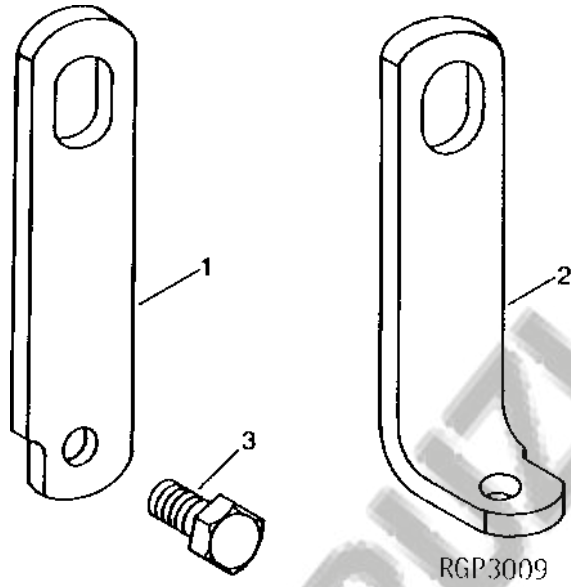
KEY	PART NO.	PART NAME	QTY	ENGINE SERIAL NO.	REMARKS
-----	----------	-----------	-----	-------------------	---------

AGRODRUXX

2D8

6076 ENGINE (ENGINE SERIAL NUMBER 50000-)

LIFT STRAPS
RGP3009 -UN-01JAN94



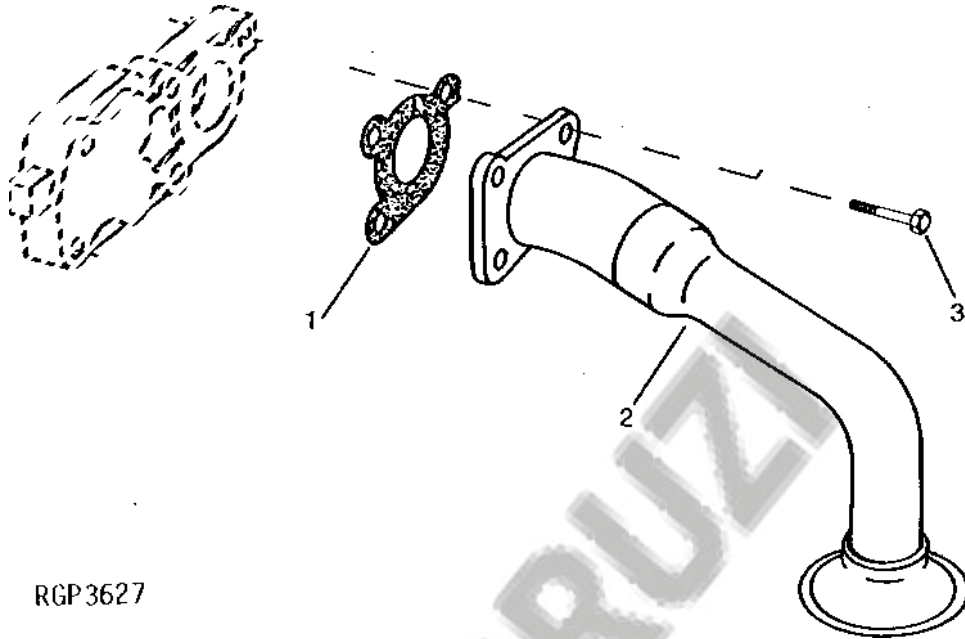
KEY	PART NO.	PART NAME	QTY	ENGINE SERIAL NO.	REMARKS
-----	----------	-----------	-----	-------------------	---------

AGRODRIVE

2D9

6076 ENGINE (ENGINE SERIAL NUMBER 500000-)

ENGINE OIL PUMP INTAKE
(ENGINE SERIAL NO. 500000-)
RGP3627 -UN-01JAN94



RGP3627

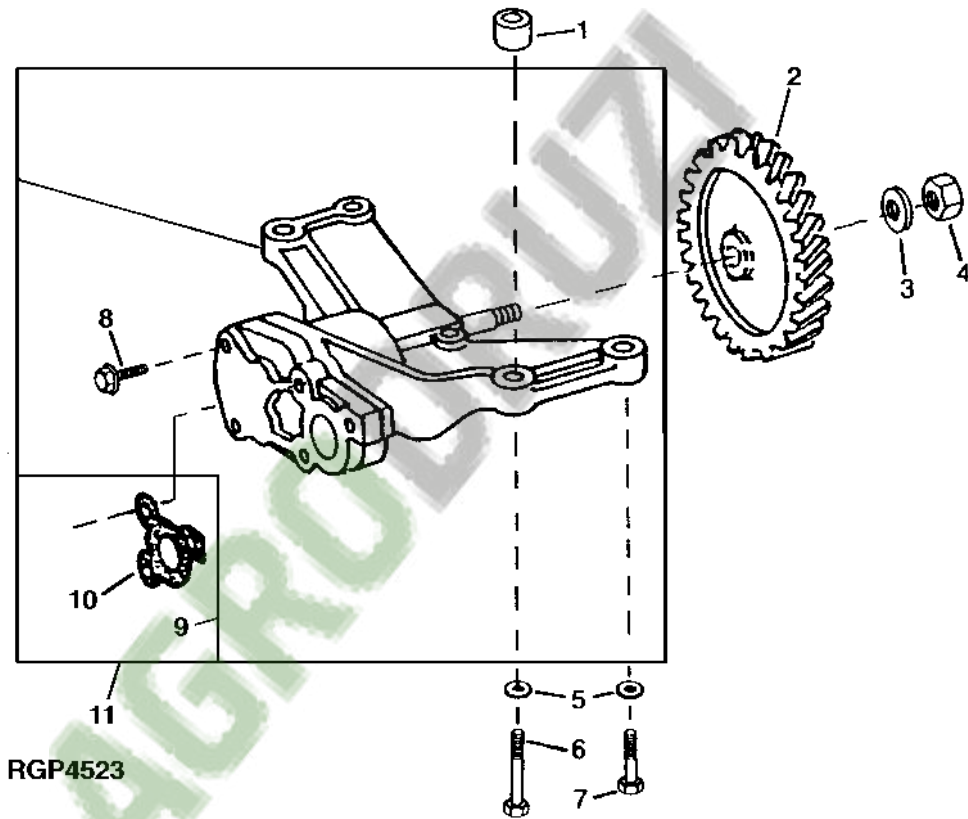
KEY	PART NO.	PART NAME	QTY	ENGINE SERIAL NO.	REMARKS
-----	----------	-----------	-----	-------------------	---------

AGRO DRUZ

2D10

6076 ENGINE (ENGINE SERIAL NUMBER 500000-)

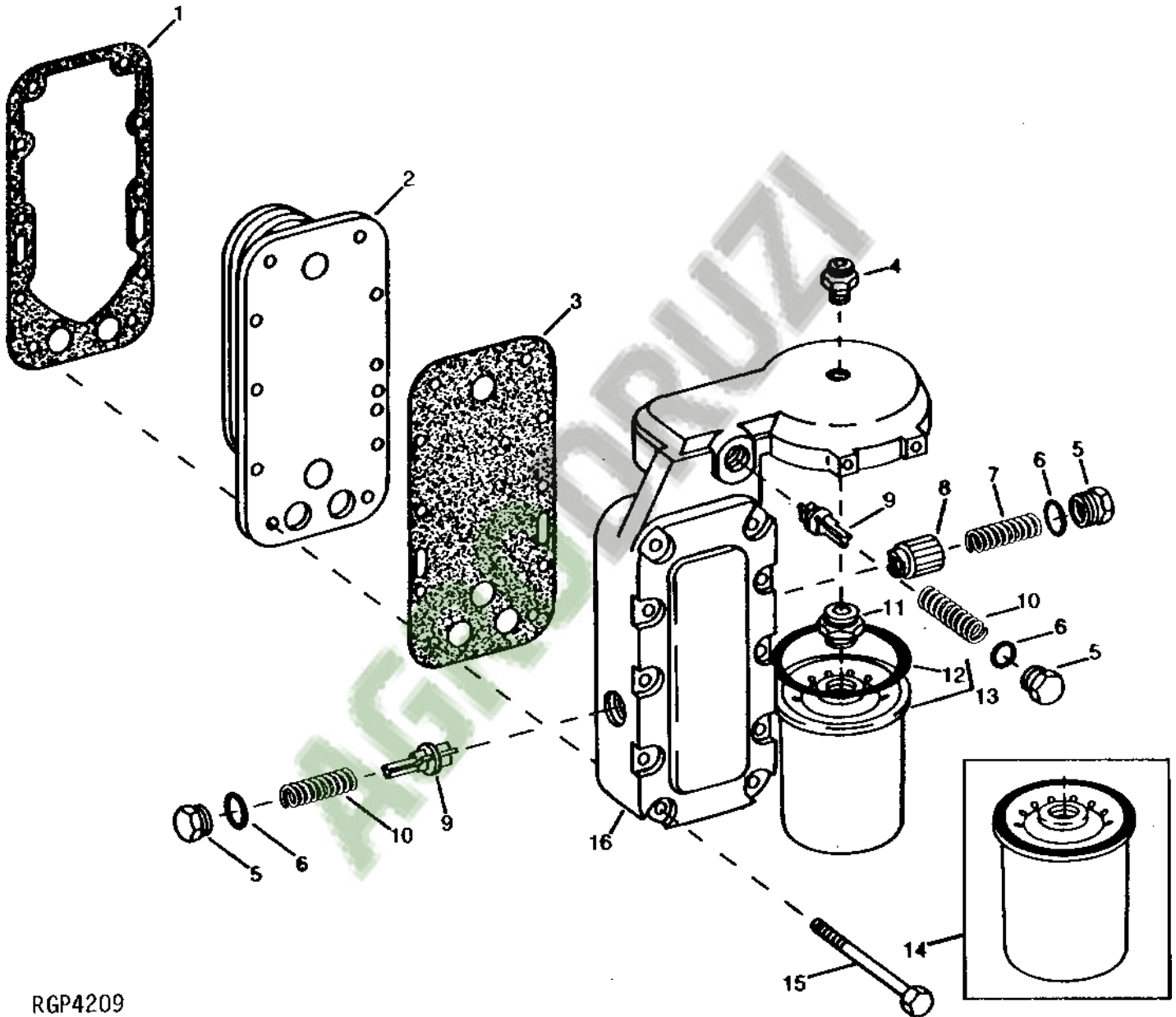
OIL PUMP
(ESN 500000-)
RGP4523 -UN-10AUG95



2D12

6076 ENGINE (ENGINE SERIAL NUMBER 500000-)

ENGINE OIL COOLER, FILTER HOUSING AND FILTER
(ENGINE SERIAL NO. 500000-)
RGP4209 -UN-01JAN94

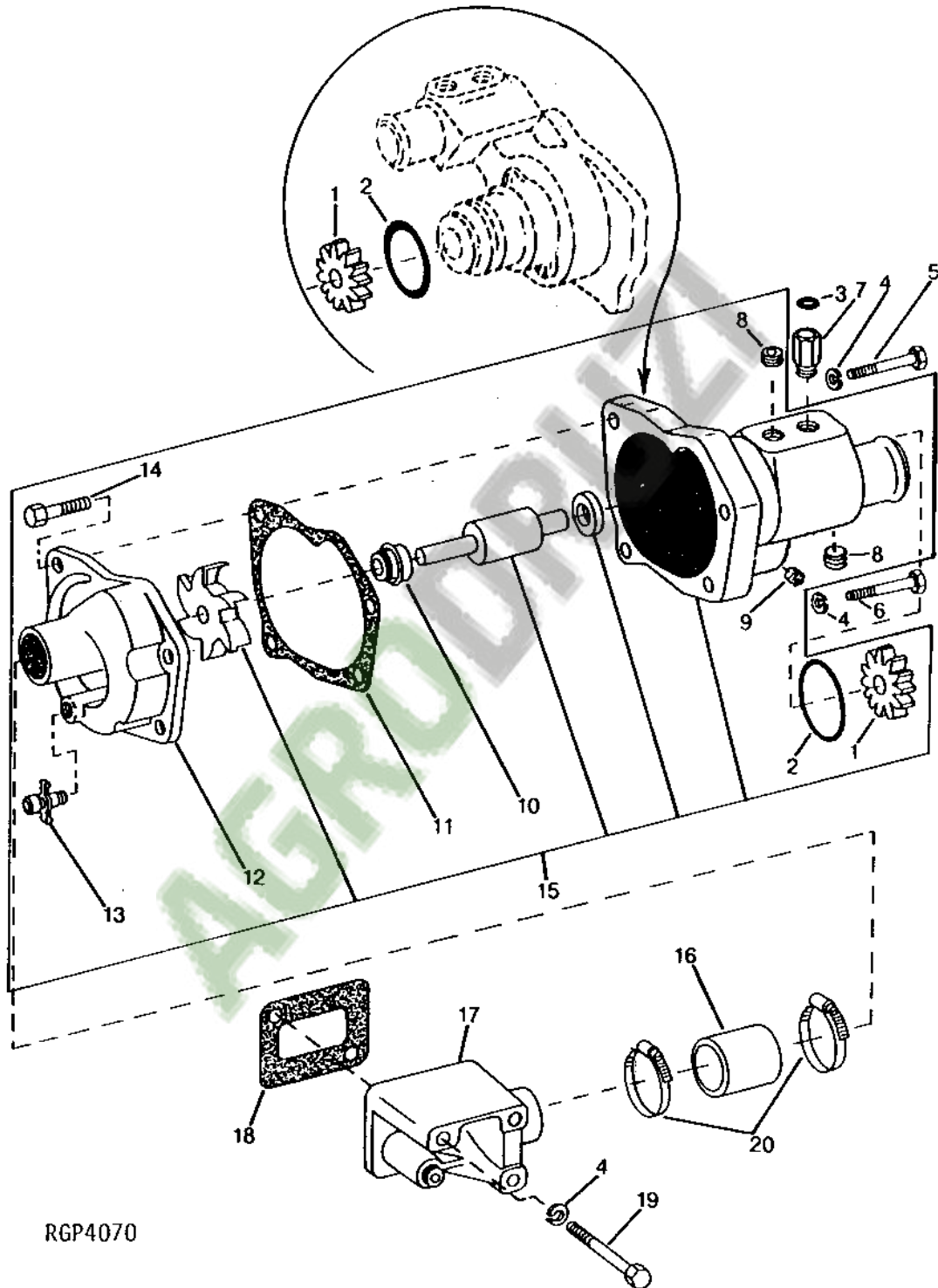


RGP4209

2D14

6076 ENGINE (ENGINE SERIAL NUMBER 500000-)

WATER PUMP
(ENGINE SERIAL NO. 500000-)
RGP4070 -UN-01JAN94

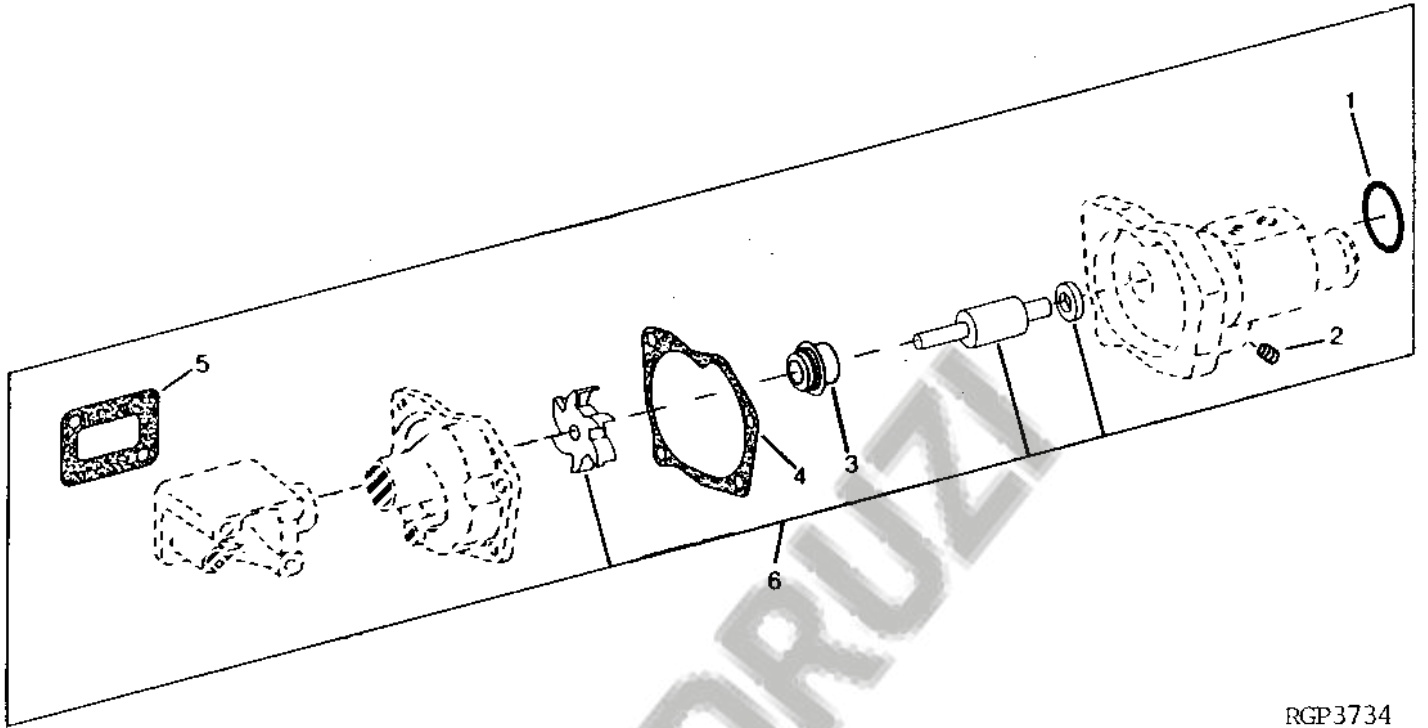


RGP4070

2D16

6076 ENGINE (ENGINE SERIAL NUMBER 500000-)

WATER PUMP REPAIR KIT
(ENGINE SERIAL NO. 500000-)
 RGP3734 -UN-01JAN94



RGP3734

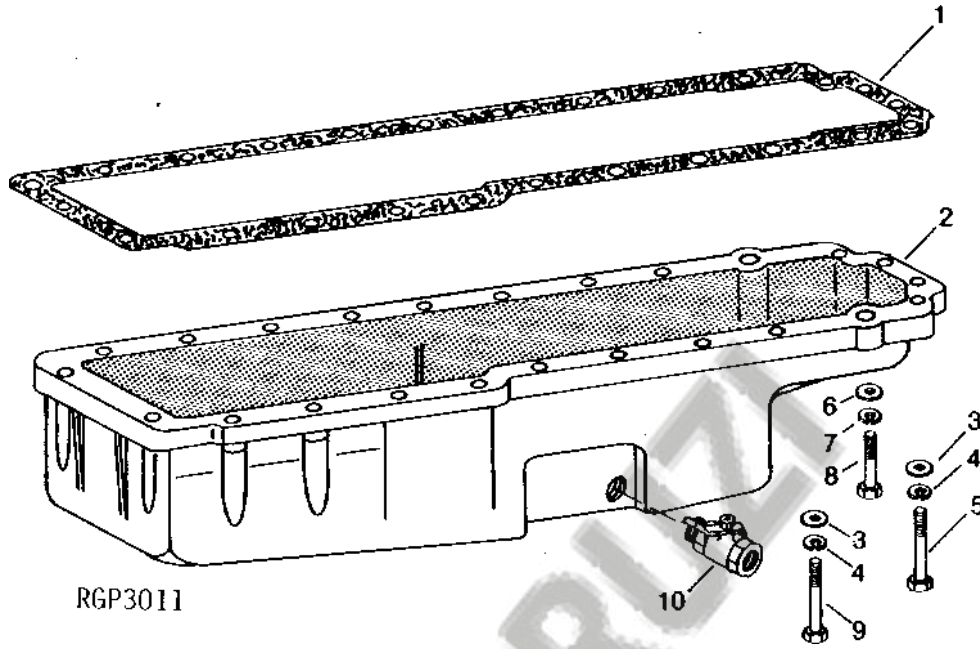
KEY	PART NO.	PART NAME	QTY	ENGINE SERIAL NO.	REMARKS
-----	----------	-----------	-----	-------------------	---------

AGRO DRUZ

2D17

6076 ENGINE (ENGINE SERIAL NUMBER 50000-)

OIL PAN
RGP3011 -UN-01JAN94



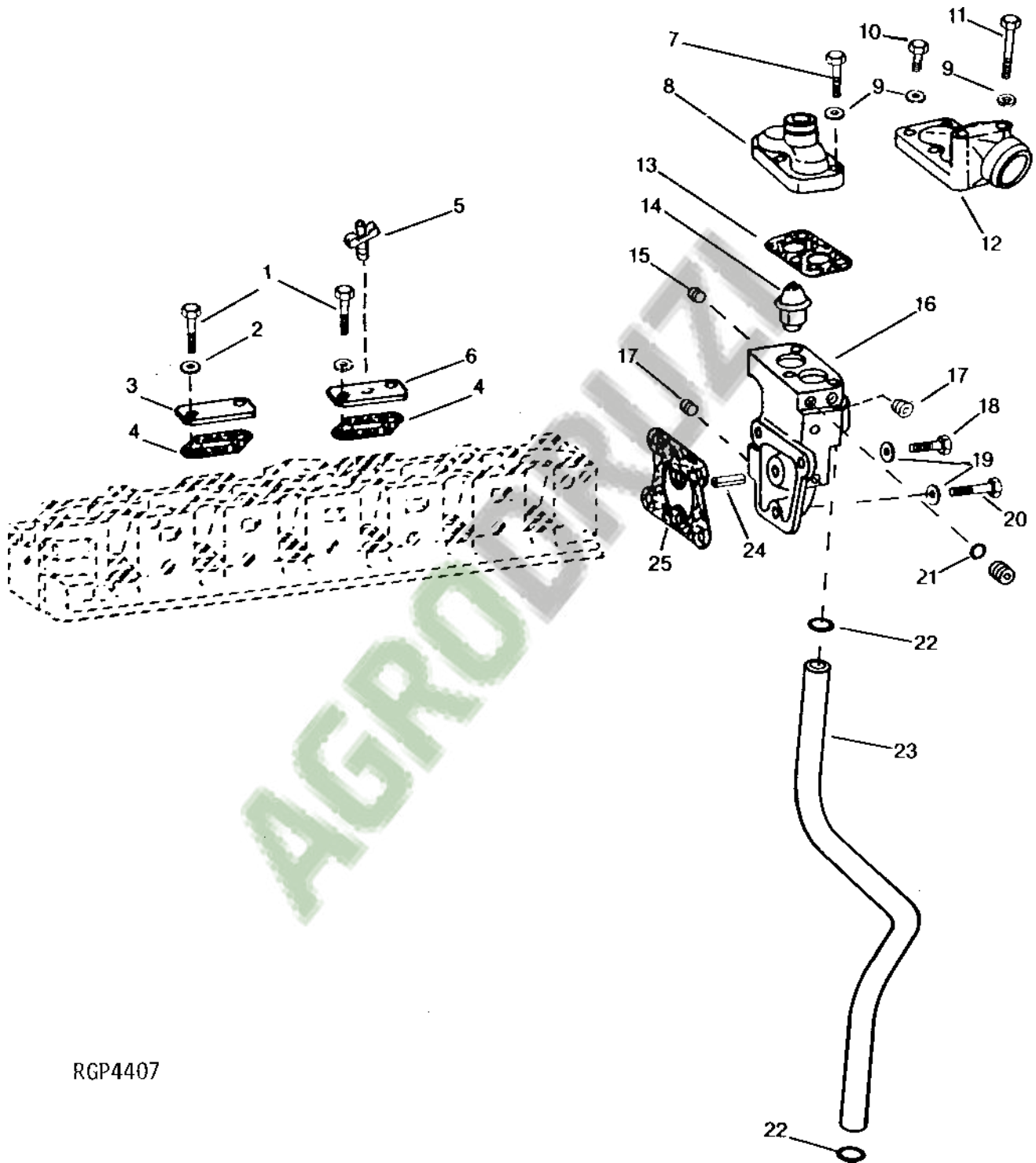
KEY	PART NO.	PART NAME	QTY	ENGINE SERIAL NO.	REMARKS
-----	----------	-----------	-----	-------------------	---------

AGRODRIVE

2D18

6076 ENGINE (ENGINE SERIAL NUMBER 500000-)

WATER MANIFOLD AND THERMOSTAT
(ENGINE SERIAL NO. 500000-)
RGP4407 -UN-02FEB94

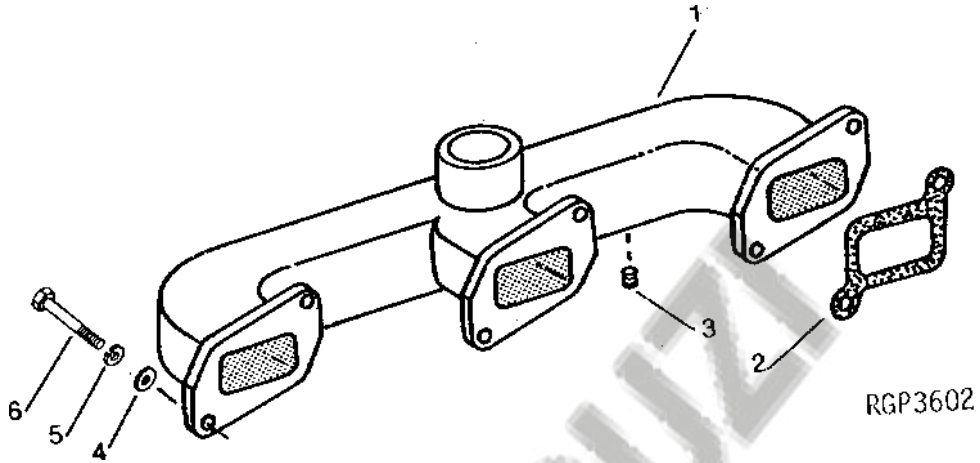


RGP4407

2D20

6076 ENGINE (ENGINE SERIAL NUMBER 50000-)

INTAKE MANIFOLD
 (ENGINE SERIAL NO. -520021)
 RGP3602 -UN-01JAN94



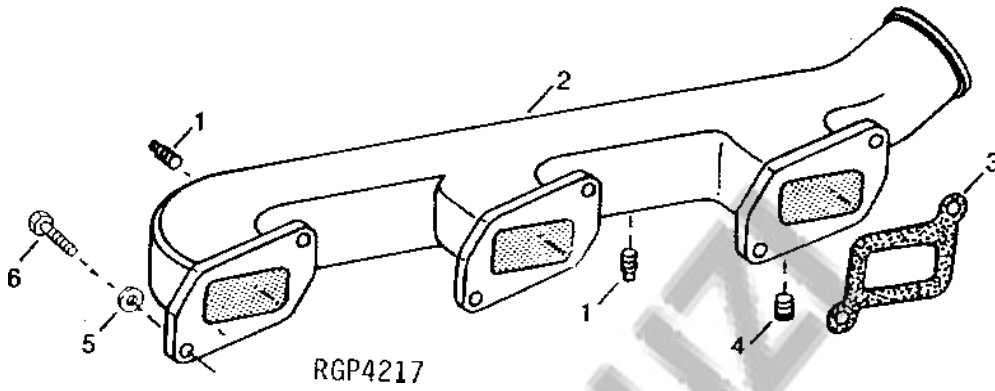
KEY	PART NO.	PART NAME	QTY	ENGINE SERIAL NO.	REMARKS
-----	----------	-----------	-----	-------------------	---------

AGRO DRUZE

2D21

6076 ENGINE (ENGINE SERIAL NUMBER 50000-)

INTAKE MANIFOLD
(ENGINE SERIAL NO. 520022-)
RGP4217 -UN-01JAN94



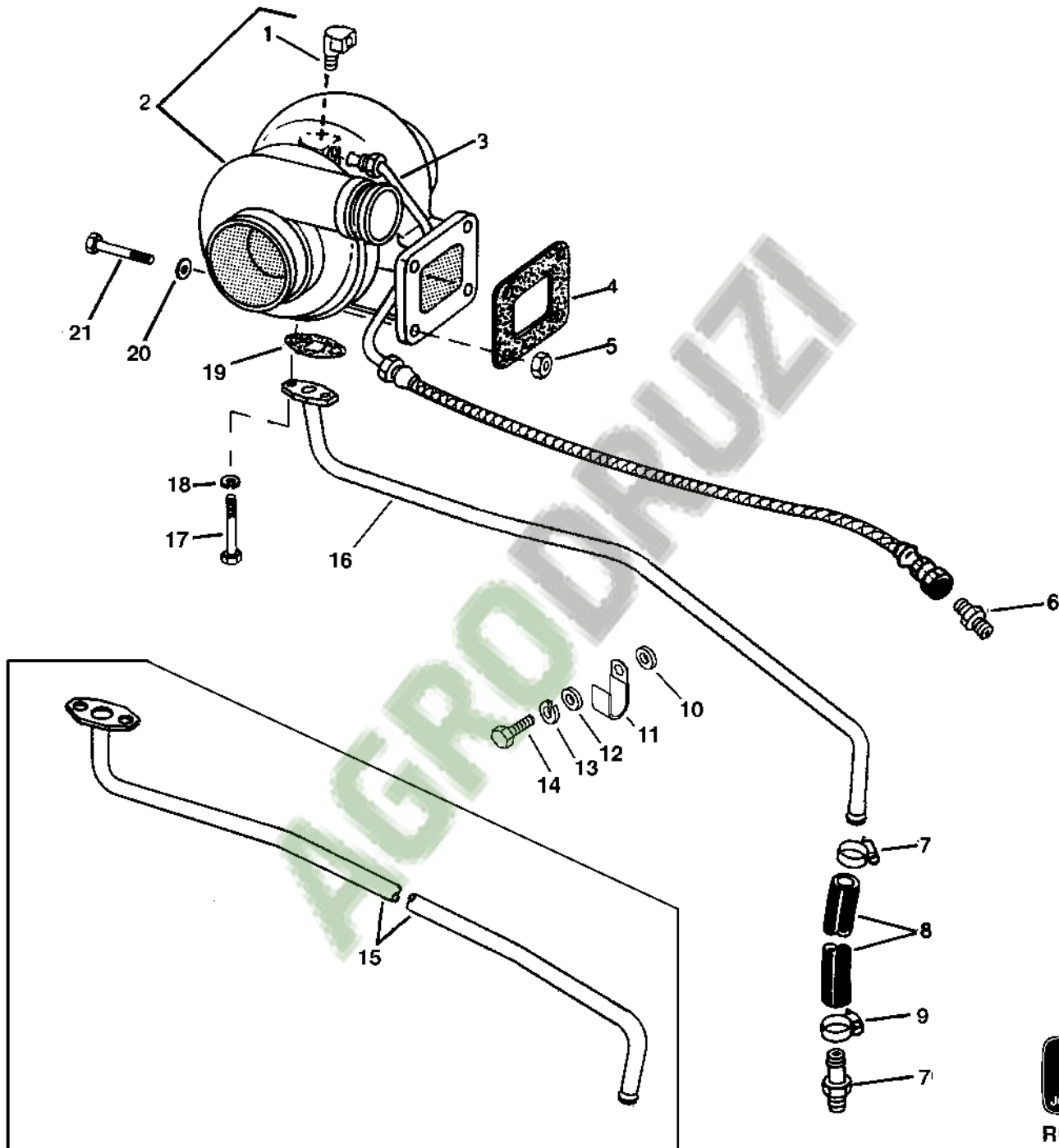
KEY	PART NO.	PART NAME	QTY	ENGINE SERIAL NO.	REMARKS
-----	----------	-----------	-----	-------------------	---------

AGRO DRU

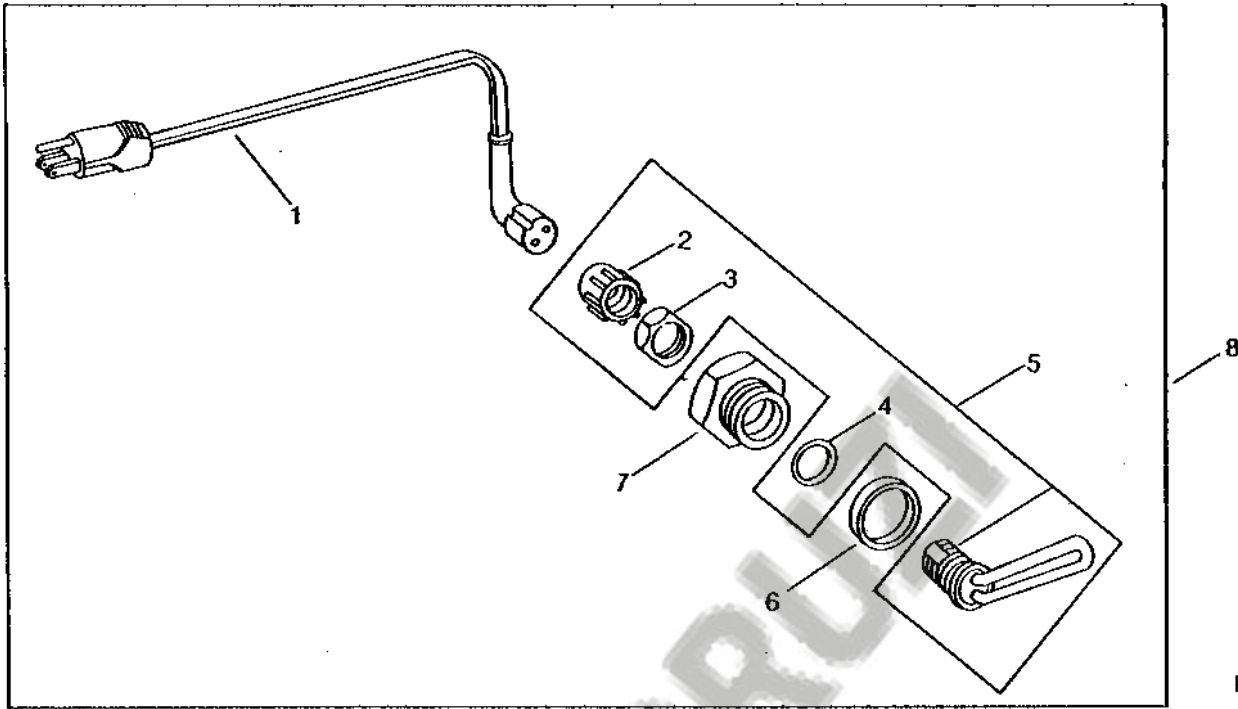
2D22

6076 ENGINE (ENGINE SERIAL NUMBER 500000-)

TURBOCHARGER AND OIL LINES
(ENGINE SERIAL NO. 500000-)
RGP4654 -UN-27MAR96



ENGINE COOLANT HEATER
RGP546 -UN-01JAN94



RGP546

KEY	PART NO.	PART NAME	QTY	ENGINE SERIAL NO.	REMARKS
-----	----------	-----------	-----	-------------------	---------

AGRODRUP

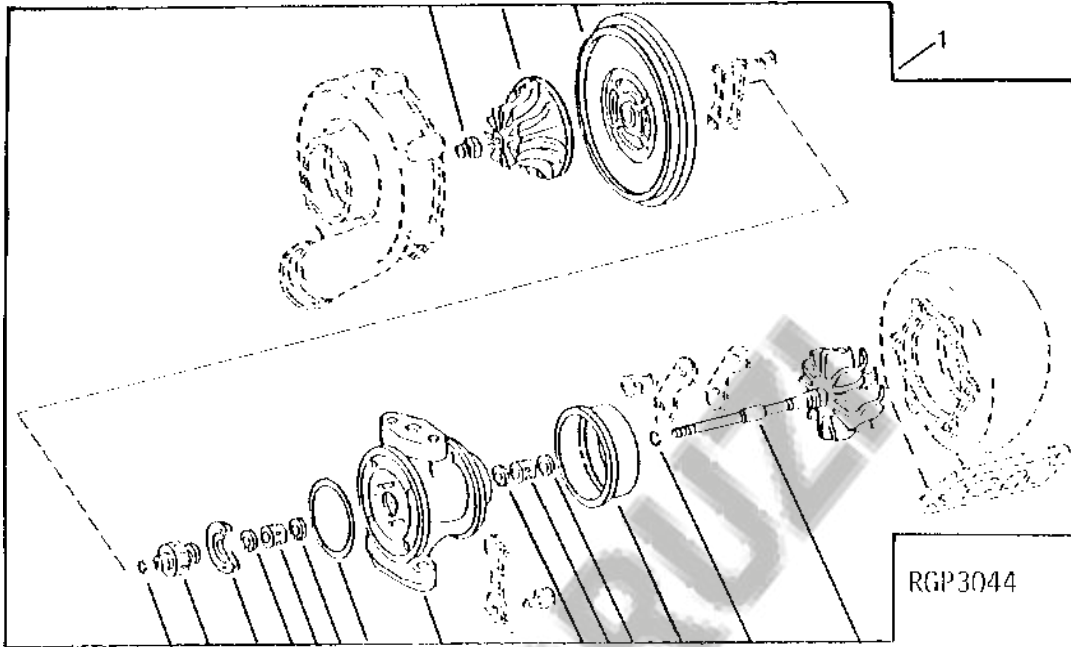
2D25

6076 ENGINE (ENGINE SERIAL NUMBER 50000-)

TURBOCHARGER CENTER HOUSING WITH ROTATING PARTS

(AIRESEARCH)

RGP3044 -UN-01JAN94



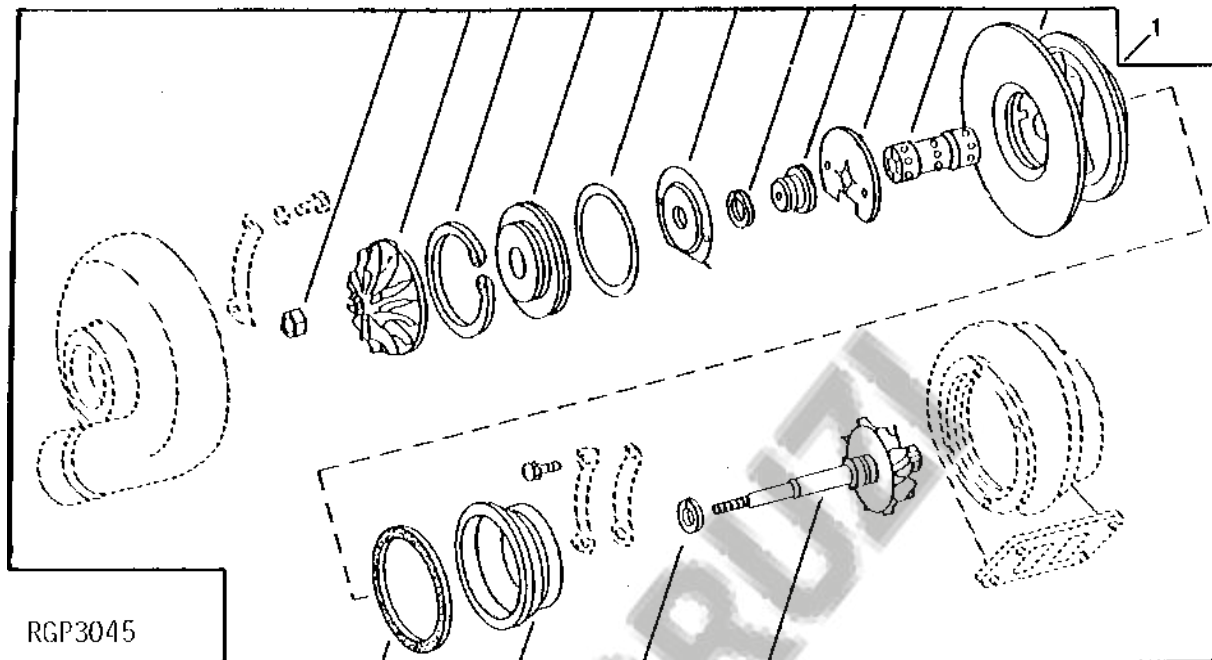
KEY	PART NO.	PART NAME	QTY	ENGINE SERIAL NO.	REMARKS
-----	----------	-----------	-----	-------------------	---------

AGRO DIRECT

TURBOCHARGER CENTER HOUSING WITH ROTATING PARTS

(SCHWITZER)

RGP3045 -UN-01JAN94



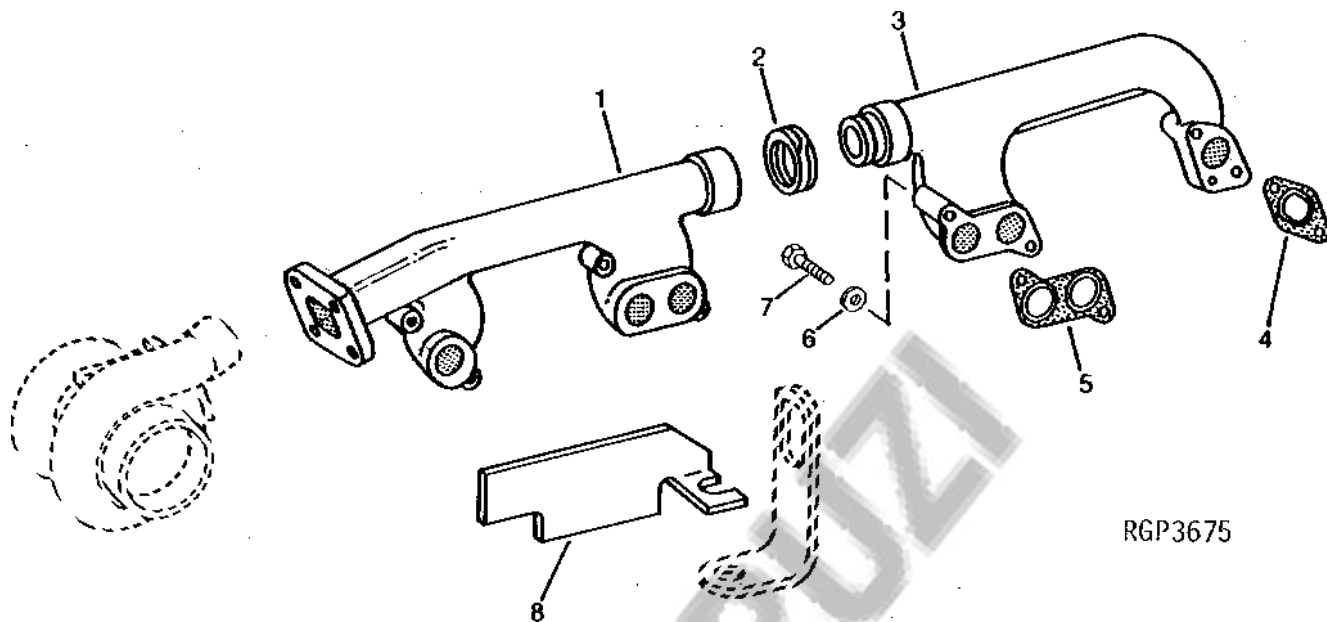
KEY	PART NO.	PART NAME	QTY	ENGINE SERIAL NO.	REMARKS
-----	----------	-----------	-----	-------------------	---------

AGRODRIFT

2E2

6076 ENGINE (ENGINE SERIAL NUMBER 50000-)

EXHAUST MANIFOLDS
RGP3675 -UN-01JAN94



RGP3675

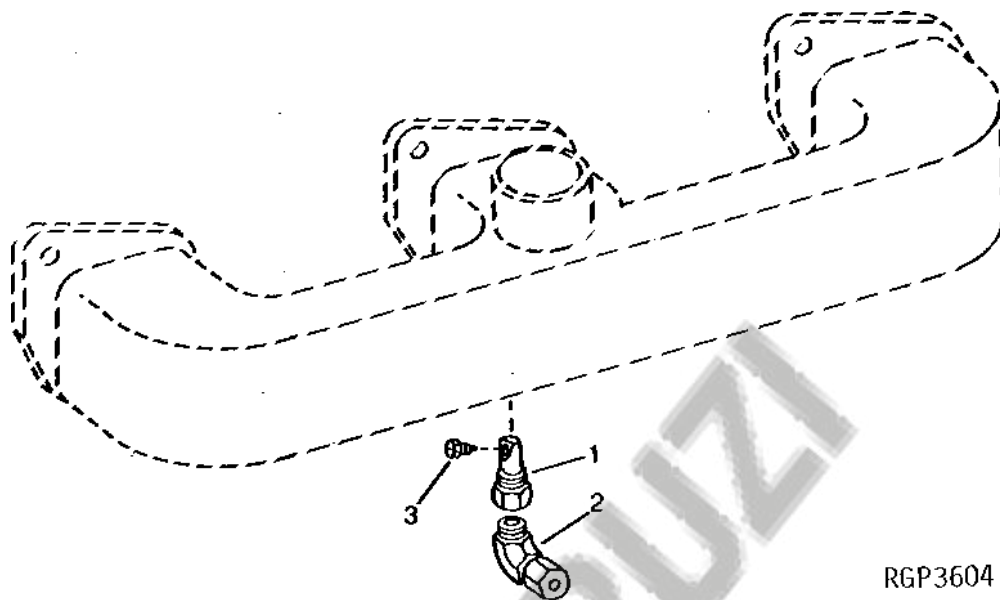
KEY	PART NO.	PART NAME	QTY	ENGINE SERIAL NO.	REMARKS
-----	----------	-----------	-----	-------------------	---------

AGRO DRUZ

2E3

6076 ENGINE (ENGINE SERIAL NUMBER 50000-)

ETHER STARTING FITTINGS
RGP3604 -UN-01JAN94



KEY	PART NO.	PART NAME	QTY	ENGINE SERIAL NO.	REMARKS
-----	----------	-----------	-----	-------------------	---------

AGRODRUZI

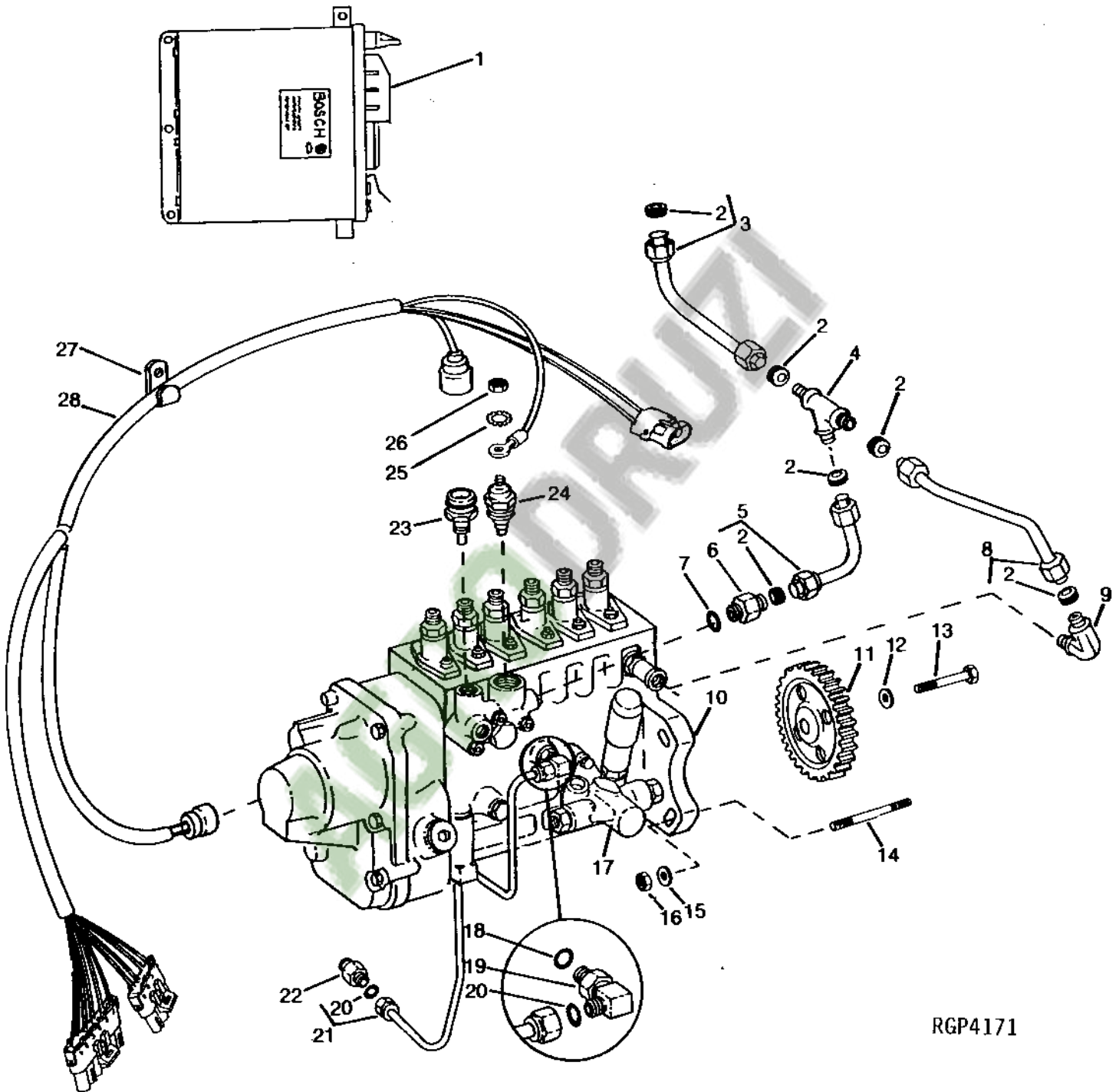
2E4

6076 ENGINE (ENGINE SERIAL NUMBER 500000-)

FUEL INJECTION PUMP, LUBE LINE AND ENGINE CONTROLLER (6076HH032)

(ENGINE SERIAL NO. 500000-)

RGP4171 -UN-20OCT94



RGP4171

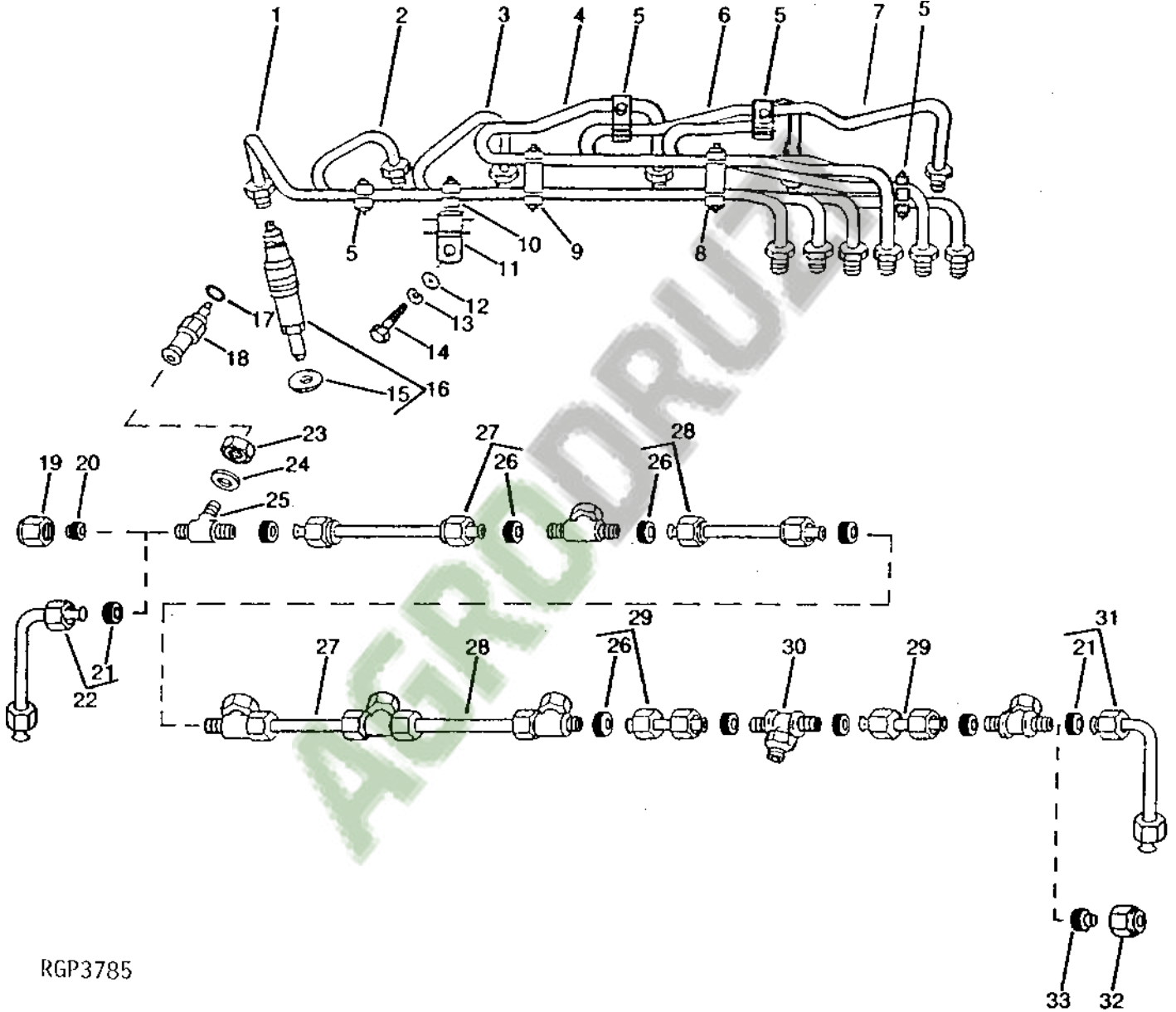
2E6

6076 ENGINE (ENGINE SERIAL NUMBER 500000-)

FUEL INJECTION NOZZLES AND LINES (HH031, HH035)

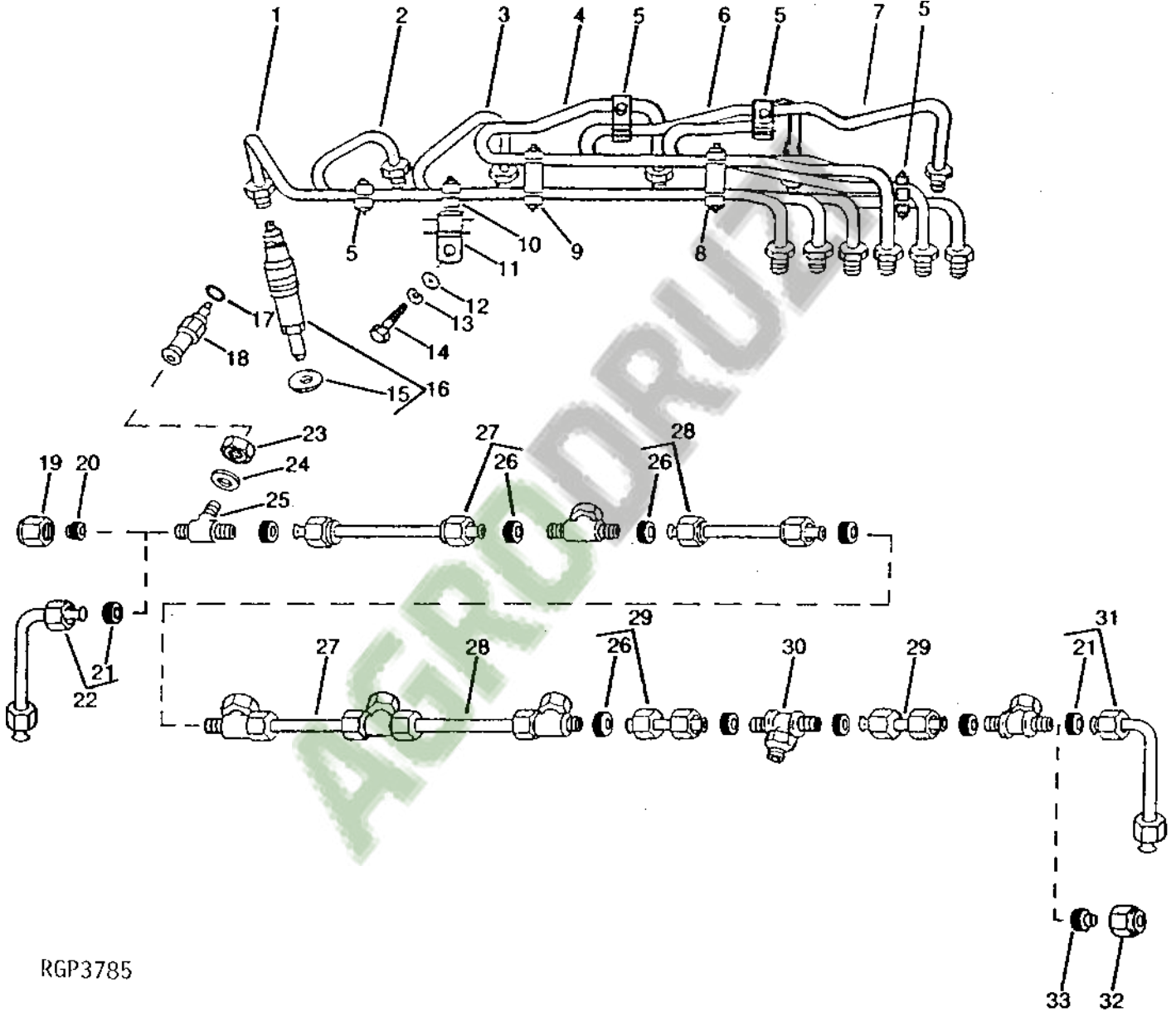
(ENGINE SERIAL NO. 500000-)

RGP3785 -UN-01JAN94



RGP3785

FUEL INJECTION NOZZLES AND LINES (HH030, HH032, HH034, HH036)
(ENGINE SERIAL NO. 500000-)
RGP3785 -UN-01JAN94

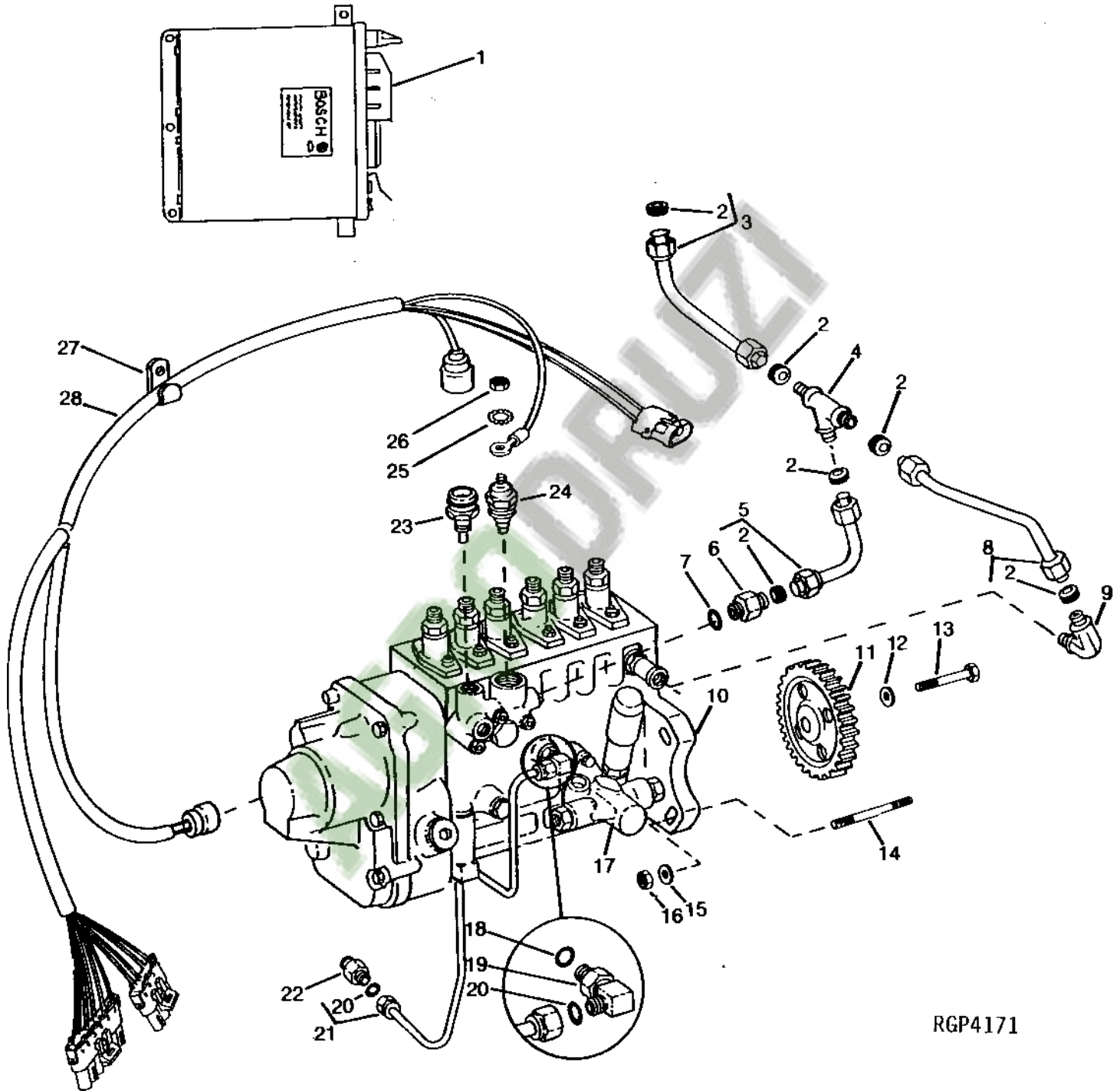


RGP3785

2E10

6076 ENGINE (ENGINE SERIAL NUMBER 500000-)

FUEL INJECTION PUMP, LUBE LINE AND ENGINE CONTROLLER (6076HH032)
(ENGINE SERIAL NO. 500000-536793)
(EARLY DESIGN)
RGP4171 -UN-20OCT94

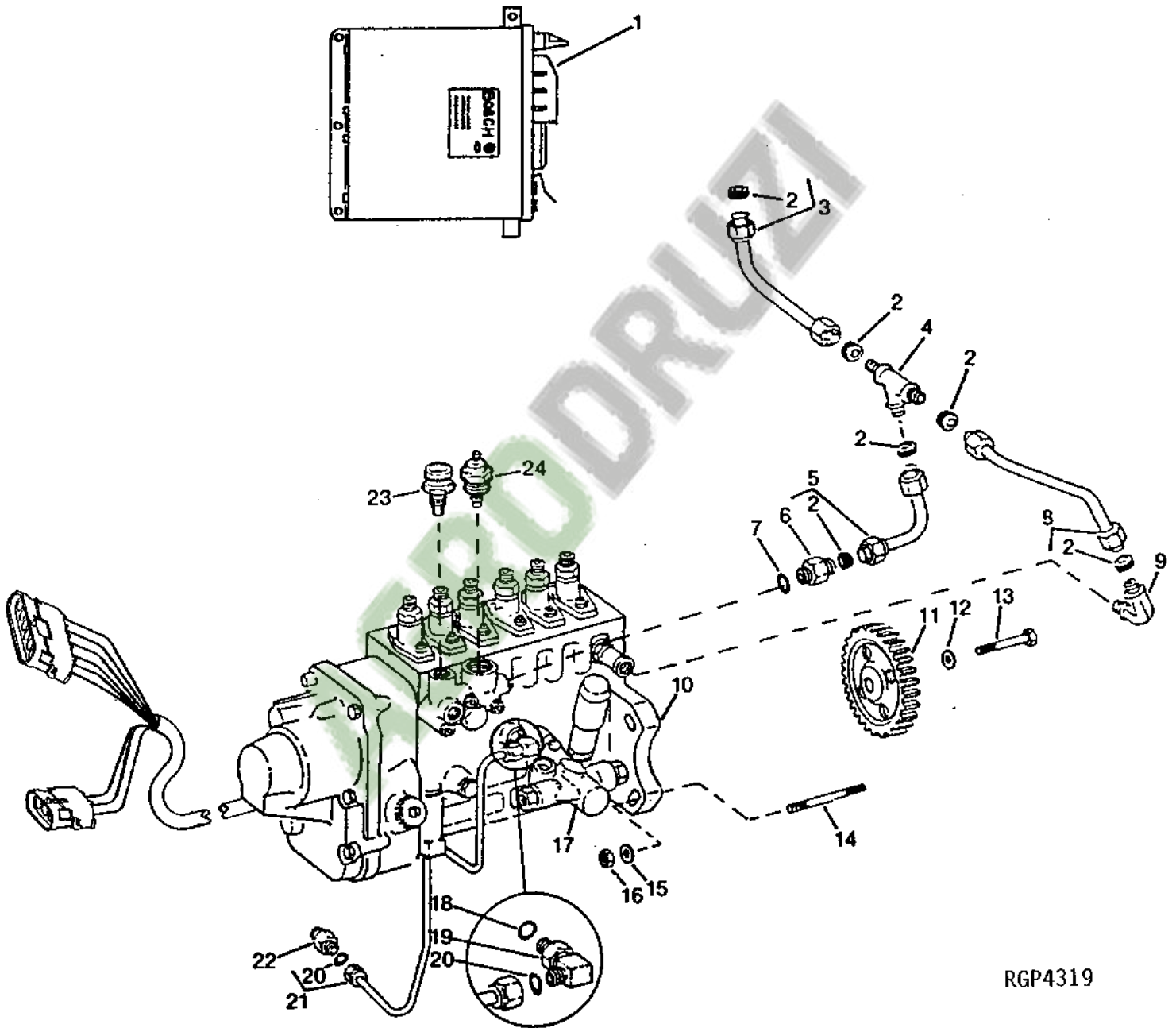


RGP4171

2E12

6076 ENGINE (ENGINE SERIAL NUMBER 50000-)

FUEL INJECTION PUMP, LUBE LINE AND ENGINE CONTROLLER
(6076HH032)
(ROBERT BOSCH)
(ENGINE SERIAL NO. 536794-567570)
(LATE DESIGN)
RGP4319 -UN-01JAN94

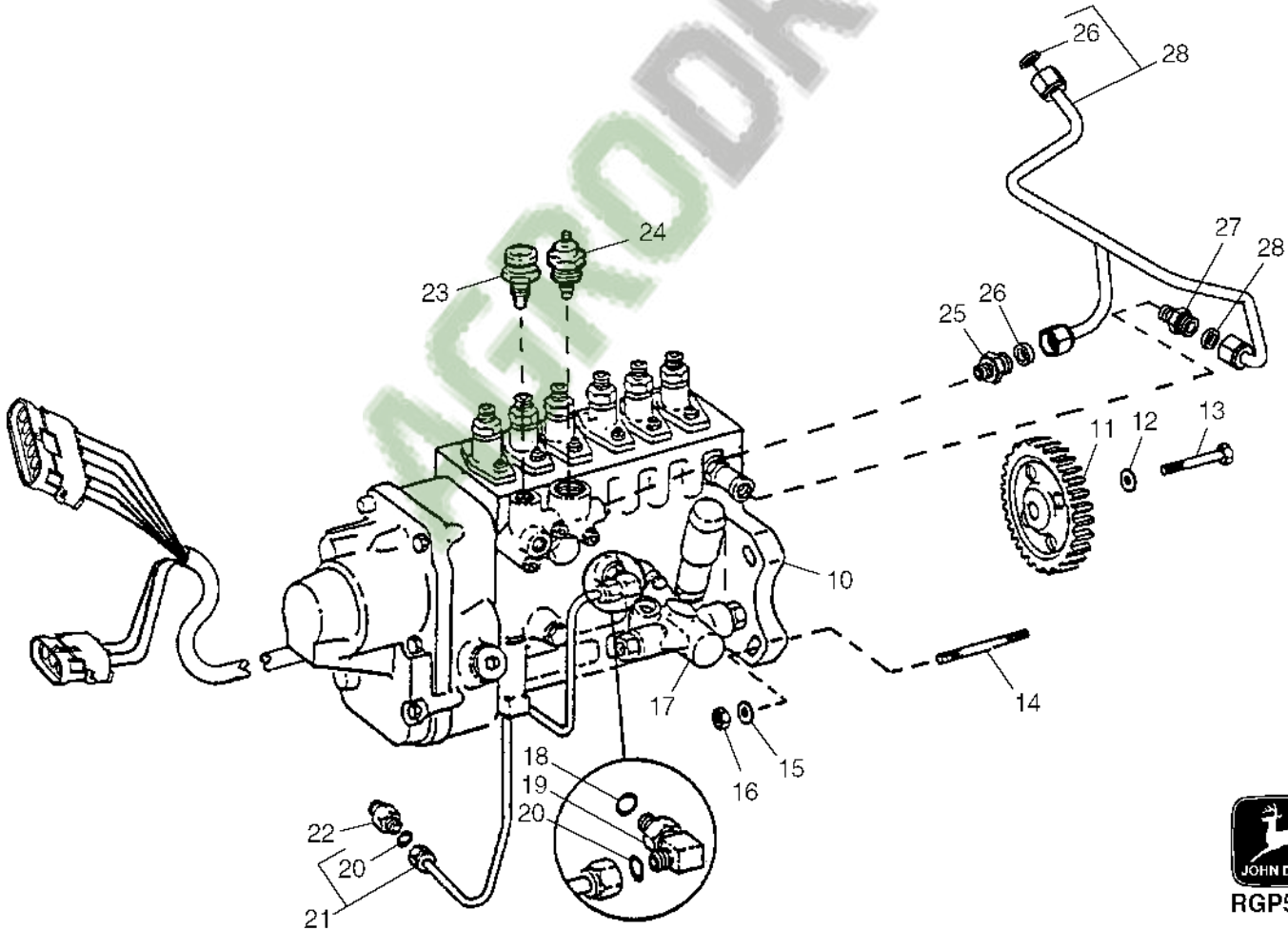
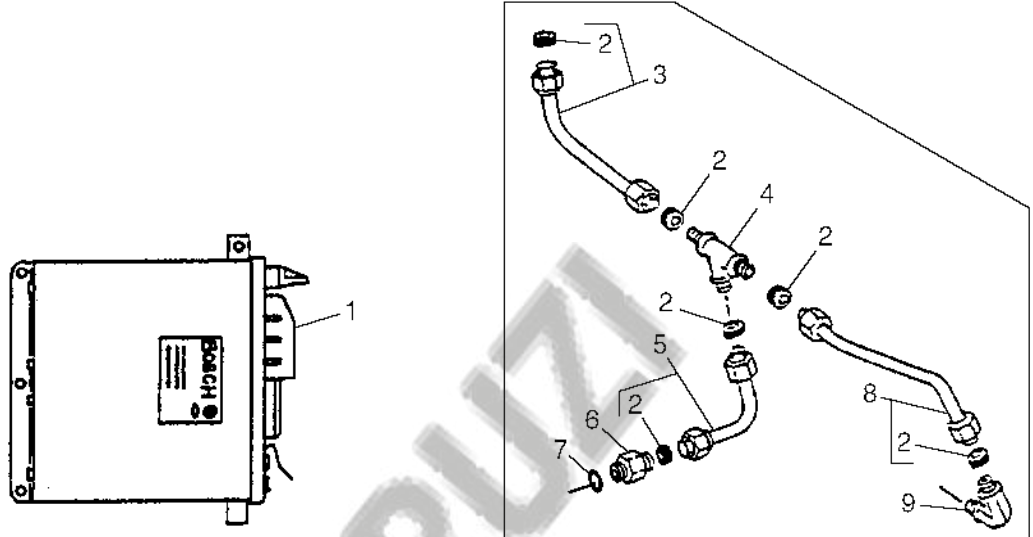


RGP4319

2E14

6076 ENGINE (ENGINE SERIAL NUMBER 500000-)

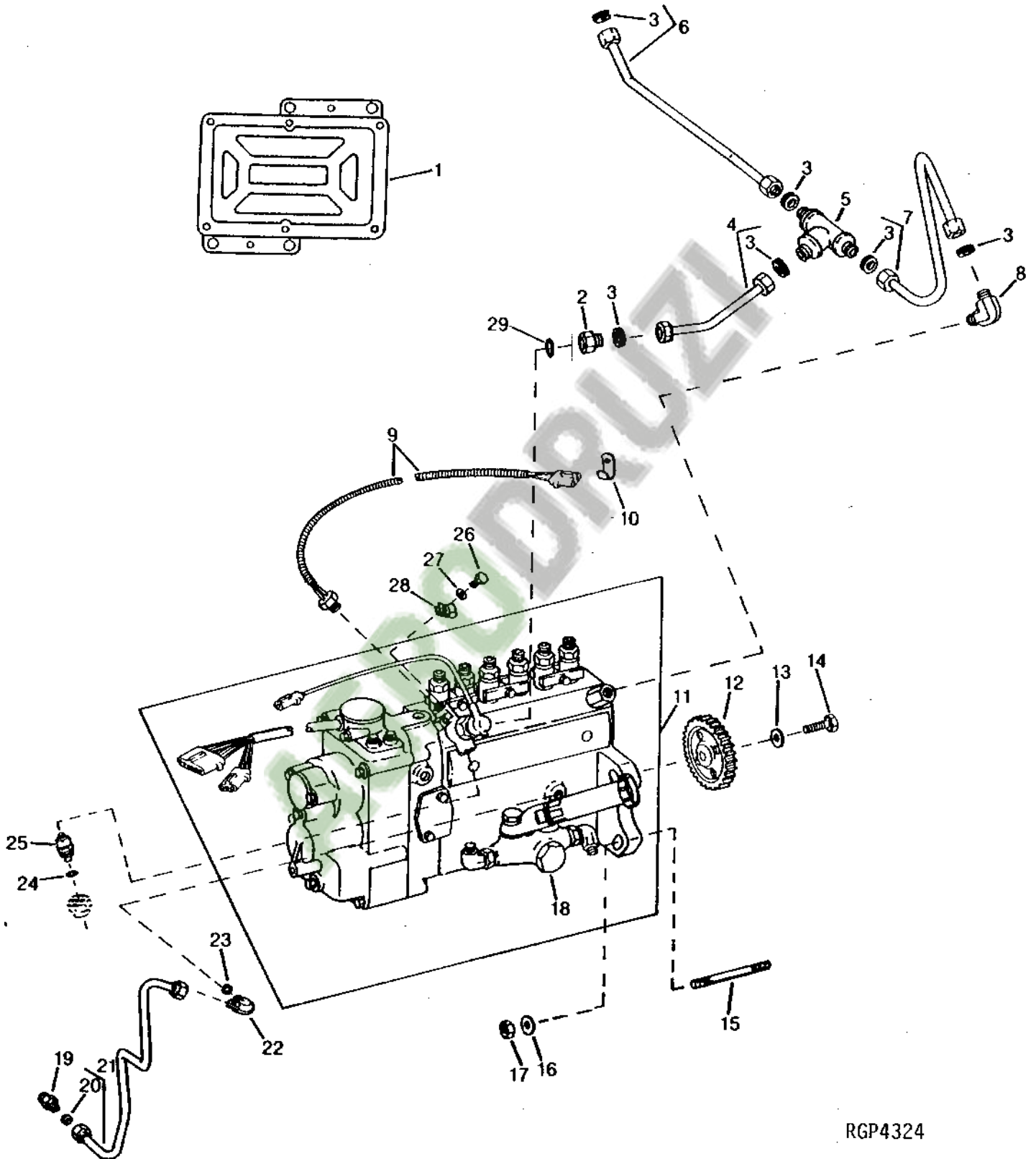
FUEL INJECTION PUMP, LUBE LINE AND ENGINE CONTROLLER
(6076HH036)
(ENGINE SERIAL NO. 567571-)
(LATE DESIGN)
RGP5313 -UN-13SEP99



2E16

6076 ENGINE (ENGINE SERIAL NUMBER 500000-)

FUEL INJECTION PUMP, LUBE LINE AND ENGINE CONTROLLER (6076HH031)
(DENSO)
(ENGINE SERIAL NO. 500000-538145) (85MM INJECTION PUMP BORE)
(EARLY DESIGN BLOCK MARKED - R100406, R119996 OR R122737)
RGP4324 -UN-01JAN94

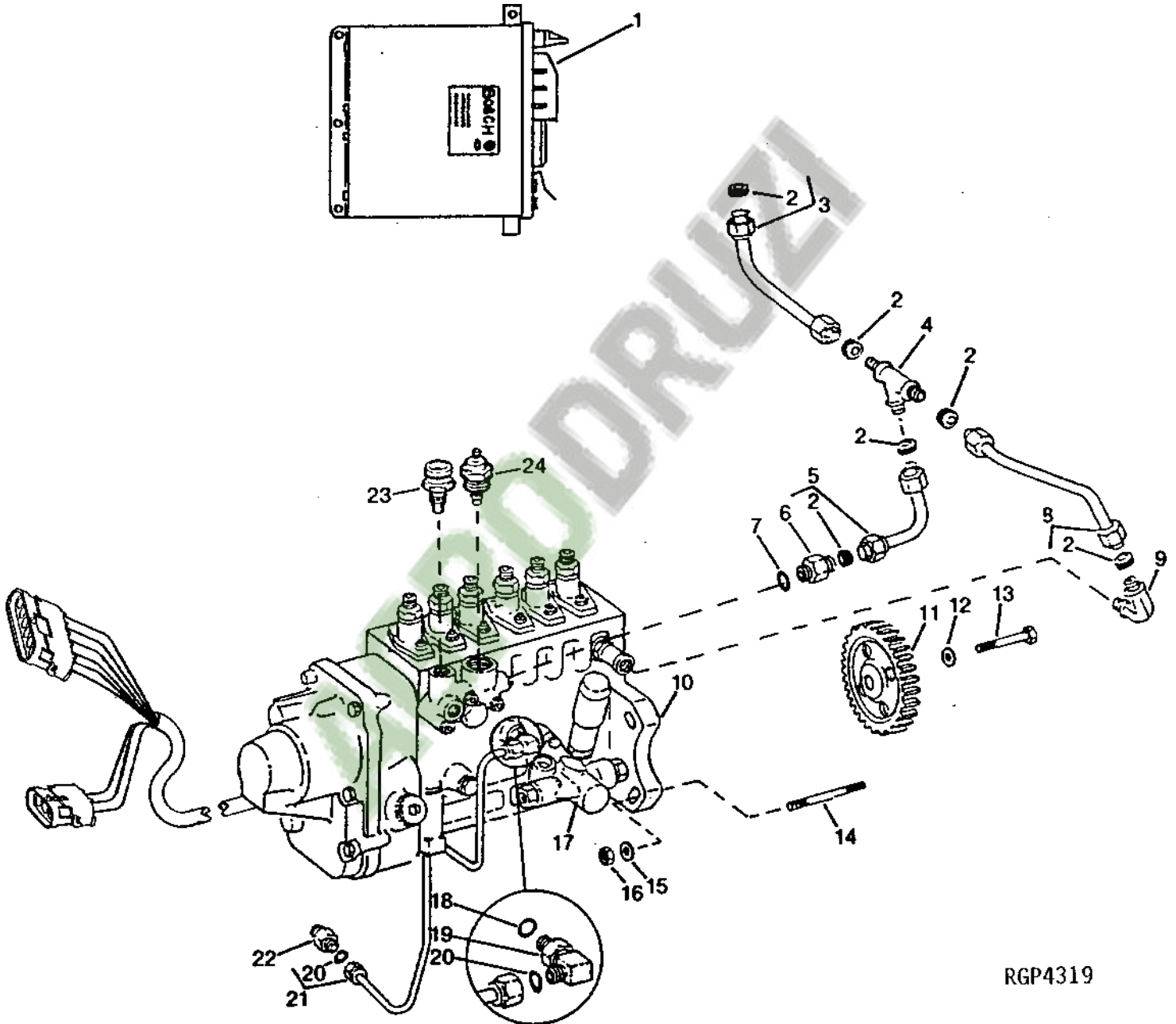


RGP4324

2E18

6076 ENGINE (ENGINE SERIAL NUMBER 500000-)

FUEL INJECTION PUMP, LUBE LINE AND ENGINE CONTROLLER (6076HH031)
(ROBERT BOSCH)
(ENGINE SERIAL NO. 538146-565942) (95MM INJECTION PUMP BORE)
(LATE DESIGN BLOCK MARKED - R122736)
RGP4319 -UN-01JAN94

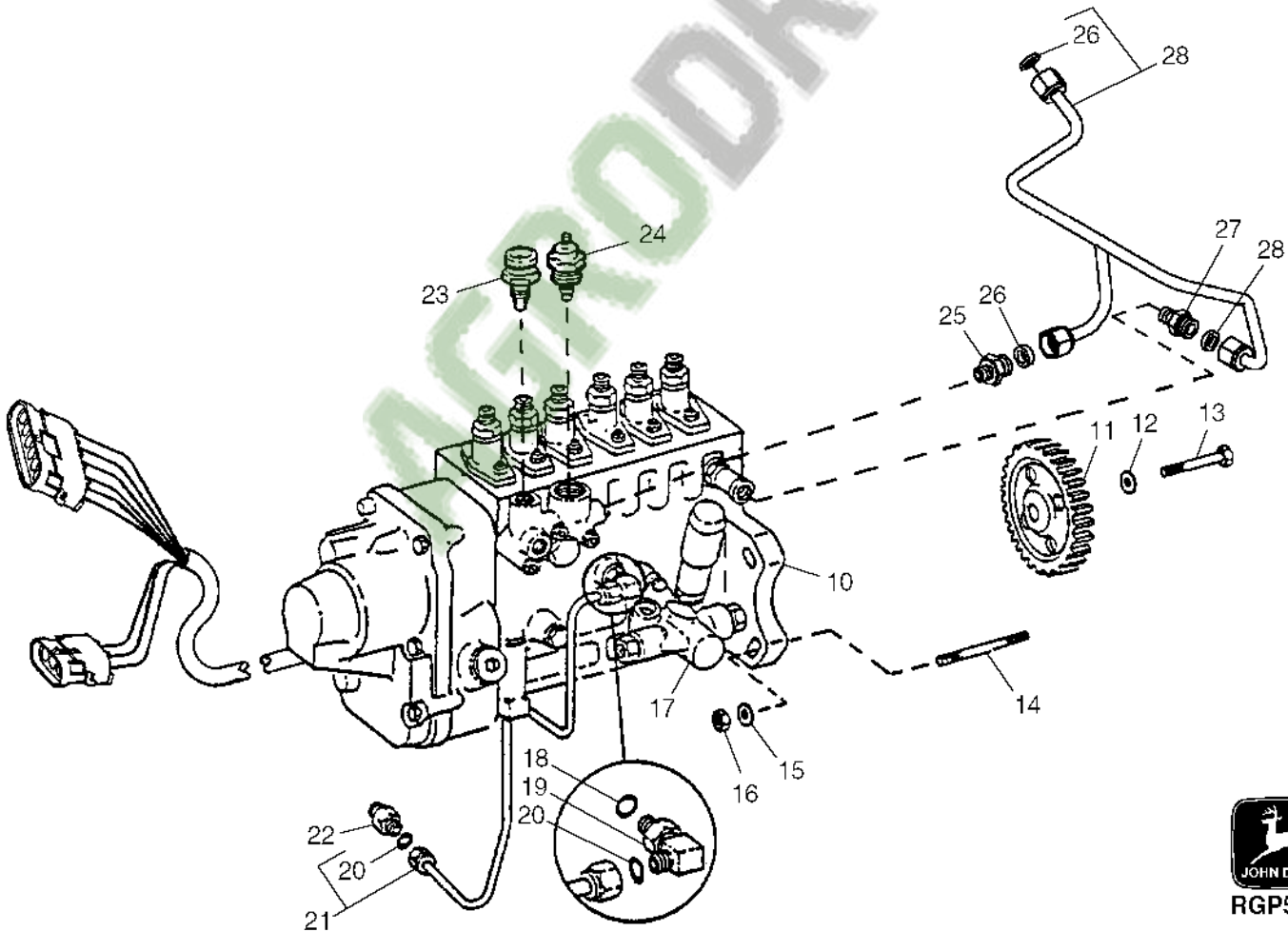
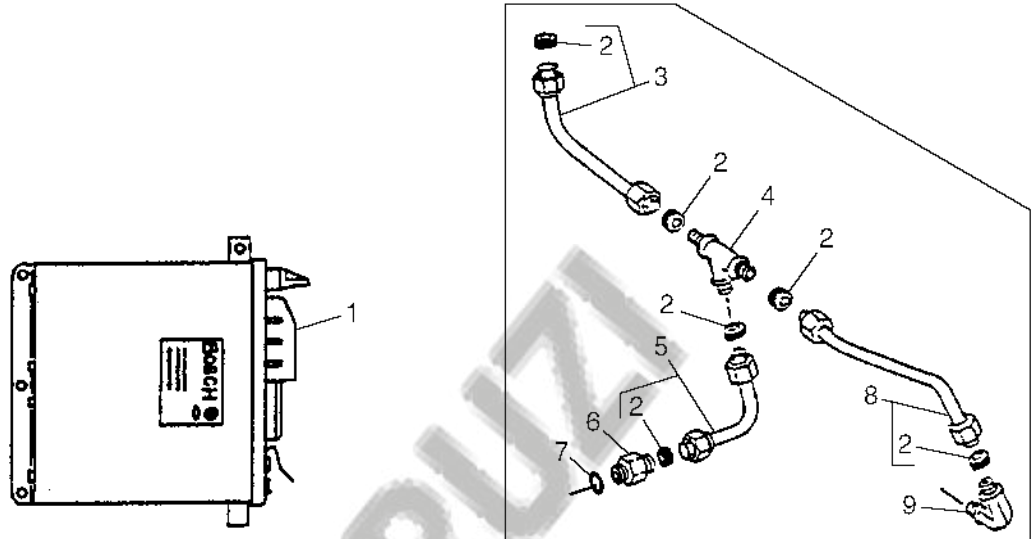


RGP4319

2E20

6076 ENGINE (ENGINE SERIAL NUMBER 500000-)

FUEL INJECTION PUMP, LUBE LINE AND ENGINE CONTROLLER (6076HH035)
(ROBERT BOSCH)
(ENGINE SERIAL NO. 565943-) (95MM INJECTION PUMP BORE)
(LATE DESIGN BLOCK MARKED - R122736)
RGP5313 -UN-13SEP99



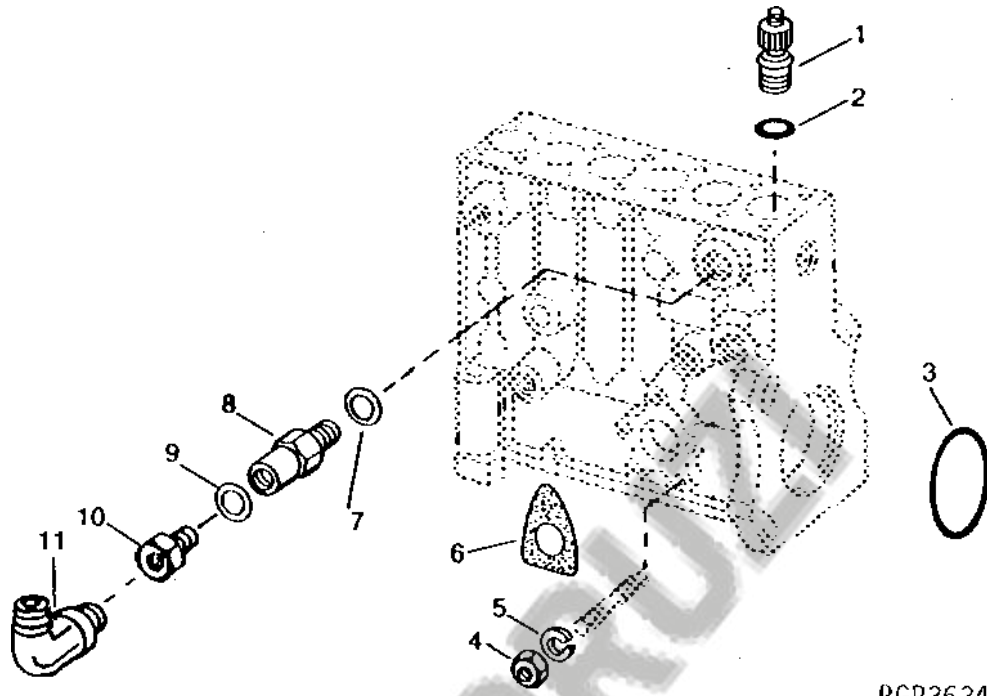
2E22

6076 ENGINE (ENGINE SERIAL NUMBER 500000-)

FUEL INJECTION PUMP HOUSING CONNECTORS (6076HH030, HH032, HH034, HH036)

(ENGINE SERIAL NO. 500000-)

RGP3634 -UN-01JAN94



RGP3634

KEY	PART NO.	PART NAME	QTY	ENGINE SERIAL NO.	REMARKS
-----	----------	-----------	-----	-------------------	---------

AGRODRIVE

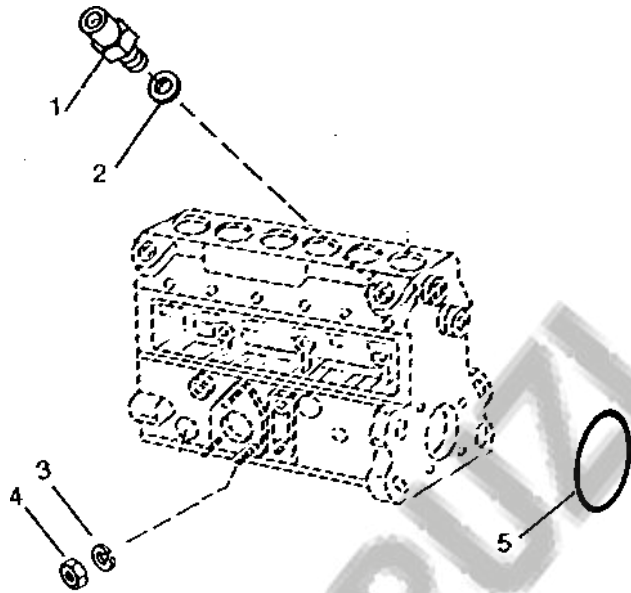
2E23

6076 ENGINE (ENGINE SERIAL NUMBER 500000-)

FUEL INJECTION PUMP HOUSING CONNECTORS (DENSO) (6076HH031)

(ENGINE SERIAL NO. 500000-538145)

RGP3612 -UN-01JAN94



RGP3612

KEY	PART NO.	PART NAME	QTY	ENGINE SERIAL NO.	REMARKS
-----	----------	-----------	-----	-------------------	---------

AGRO DRUŽBA

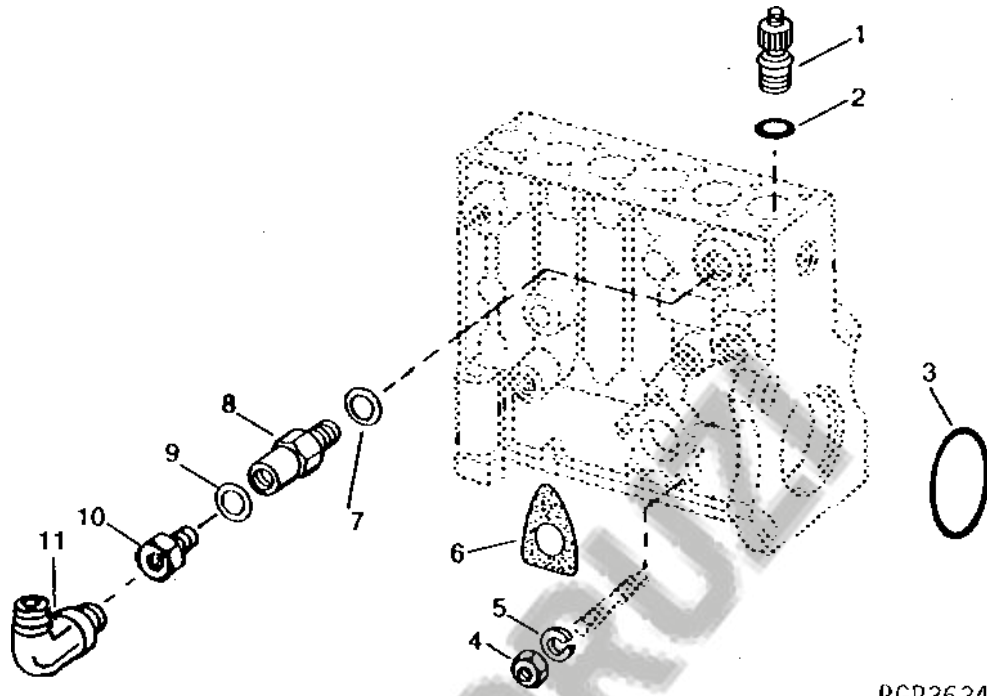
2E24

6076 ENGINE (ENGINE SERIAL NUMBER 500000-)

FUEL INJECTION PUMP HOUSING CONNECTORS (ROBERT BOSCH) (6076HH031, HH035)

(ENGINE SERIAL NO. 538146-)

RGP3634 -UN-01JAN94



RGP3634

KEY	PART NO.	PART NAME	QTY	ENGINE SERIAL NO.	REMARKS
-----	----------	-----------	-----	-------------------	---------

AGRO DRUG

2E25

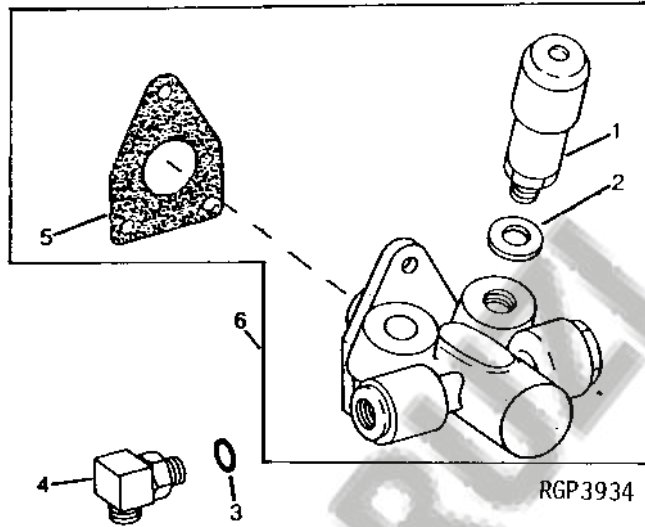
6076 ENGINE (ENGINE SERIAL NUMBER 500000-)

FUEL TRANSFER PUMP (6076HH030, HH032, HH034, HH036)

(ROBERT BOSCH)

(ENGINE SERIAL NO. 500000-)

RGP3934 -UN-01JAN94



KEY	PART NO.	PART NAME	QTY	ENGINE SERIAL NO.	REMARKS
-----	----------	-----------	-----	-------------------	---------

AGRODRILL

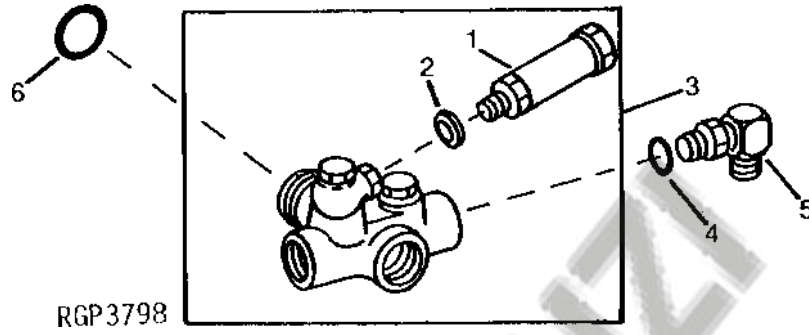
2F1

6076 ENGINE (ENGINE SERIAL NUMBER 50000-)

FUEL TRANSFER PUMP (DENSO) (6076HH031)

(ENGINE SERIAL NO. 500000-538145)

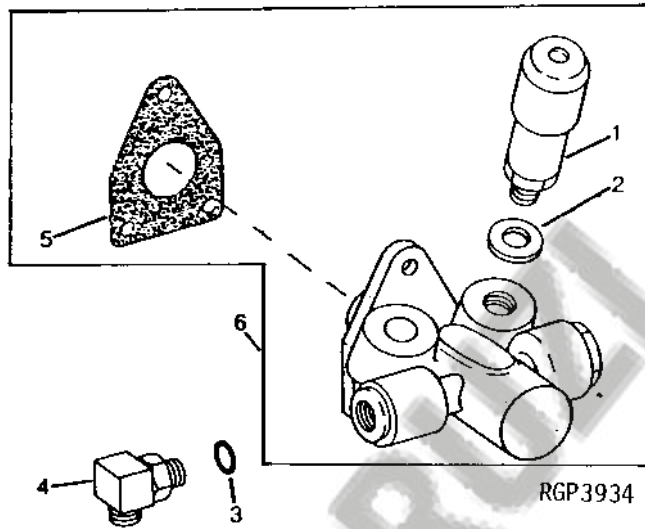
RGP3798 -UN-01JAN94



KEY	PART NO.	PART NAME	QTY	ENGINE SERIAL NO.	REMARKS
-----	----------	-----------	-----	-------------------	---------

AGRO DRUZI

FUEL TRANSFER PUMP (6076HH031)
 (ROBERT BOSCH)
 (ENGINE SERIAL NO. 538146-)
 RGP3934 -UN-01JAN94



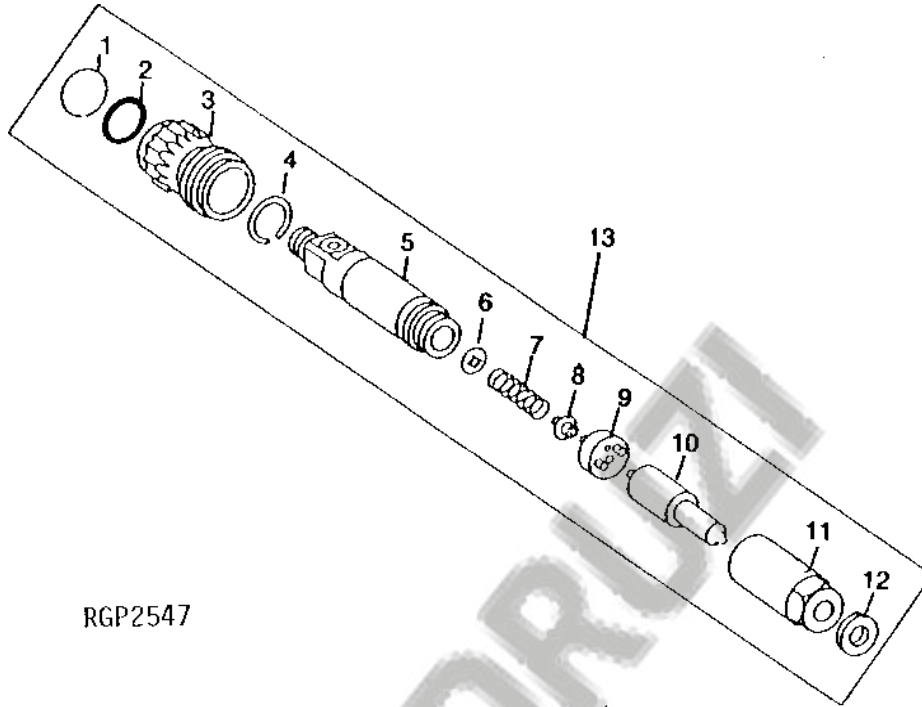
KEY	PART NO.	PART NAME	QTY	ENGINE SERIAL NO.	REMARKS
-----	----------	-----------	-----	-------------------	---------

AGRODR

2F3

6076 ENGINE (ENGINE SERIAL NUMBER 500000-)

FUEL INJECTION NOZZLE (6076HH031)
 (ROBERT BOSCH)
 (ENGINE SERIAL NO. 500000-538145)
 RGP2547 -UN-01JAN94



RGP2547

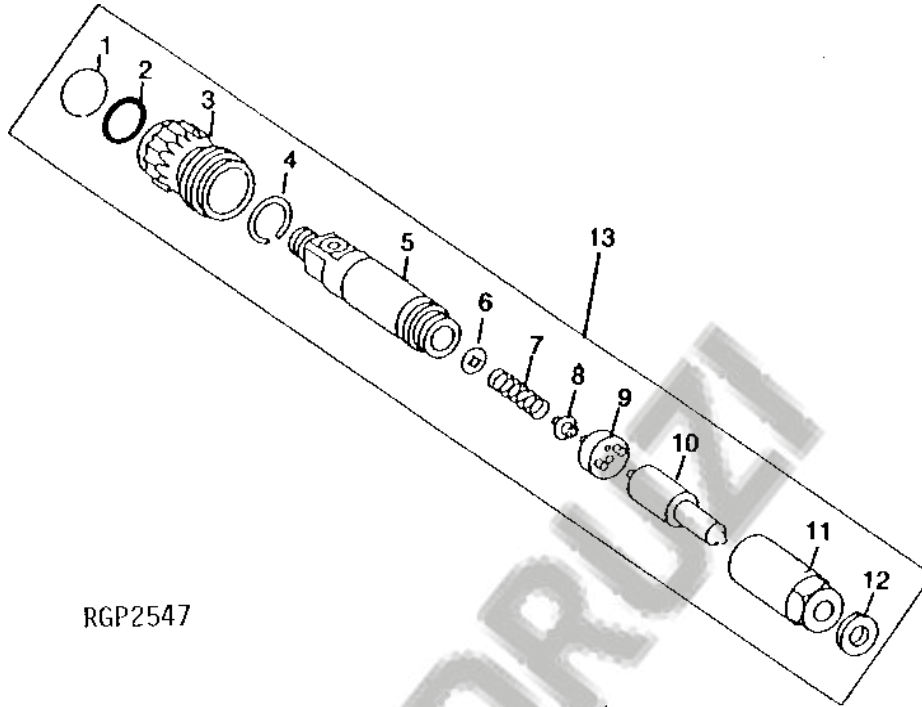
KEY	PART NO.	PART NAME	QTY	ENGINE SERIAL NO.	REMARKS
-----	----------	-----------	-----	-------------------	---------

AGRO DR

2F4

6076 ENGINE (ENGINE SERIAL NUMBER 50000-)

FUEL INJECTION NOZZLE
(STANADYNE)
(6076HH031)
RGP2547 -UN-01JAN94



RGP2547

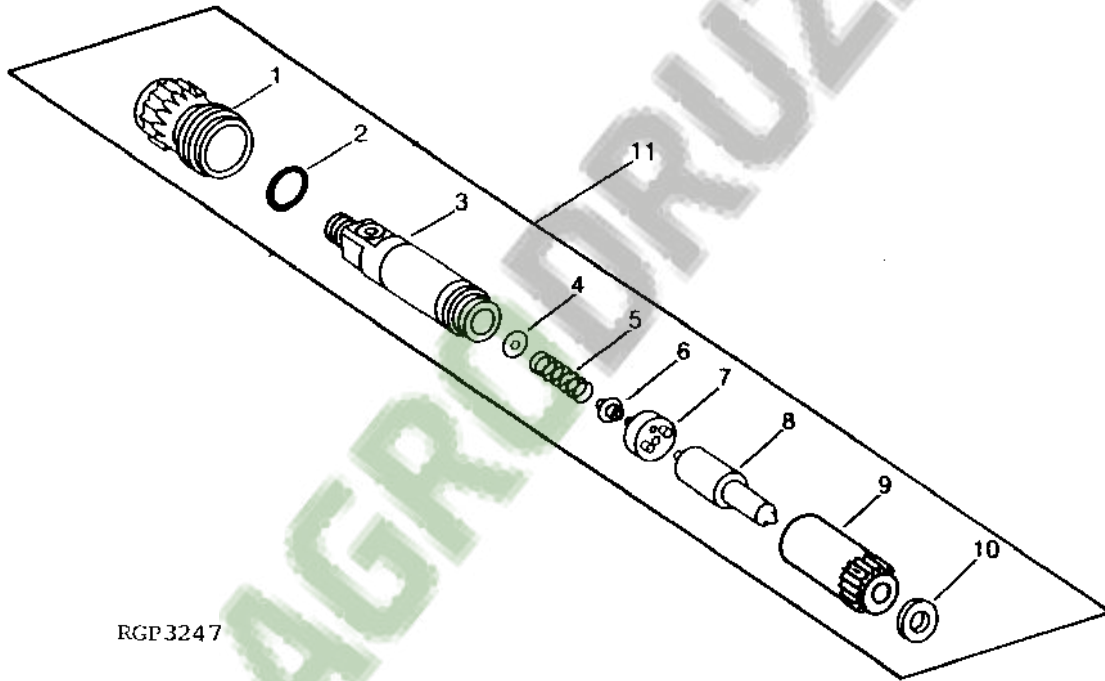
KEY	PART NO.	PART NAME	QTY	ENGINE SERIAL NO.	REMARKS
-----	----------	-----------	-----	-------------------	---------

AGRODRIVE

2F5

6076 ENGINE (ENGINE SERIAL NUMBER 50000-)

FUEL INJECTION NOZZLE (6076HH031, HH035)
(DENSO)
(ENGINE SERIAL NO. 538146-)
RGP3247 -UN-01JAN94

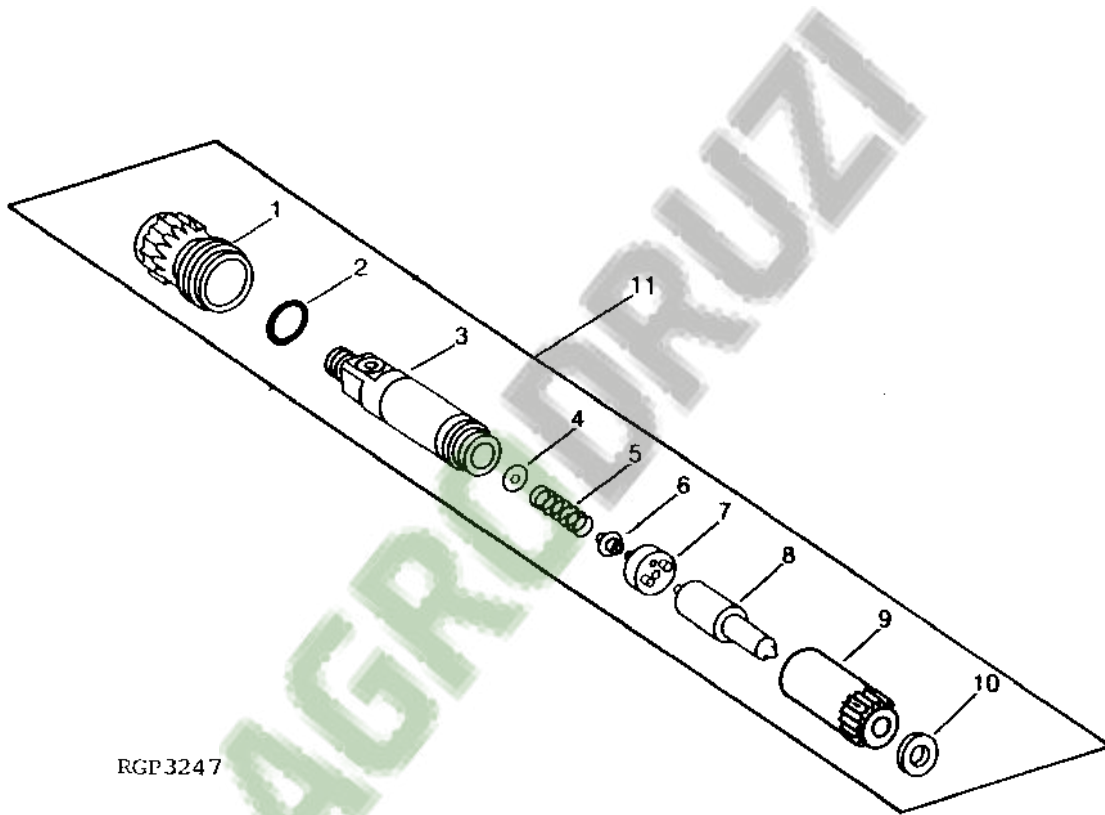


RGP3247

2F7

6076 ENGINE (ENGINE SERIAL NUMBER 500000-)

FUEL INJECTION NOZZLE - (6076HH030, HH032, HH034, OR HH036)
(DENSO)
(ENGINE SERIAL NO. 500000-)
RGP3247 -UN-01JAN94

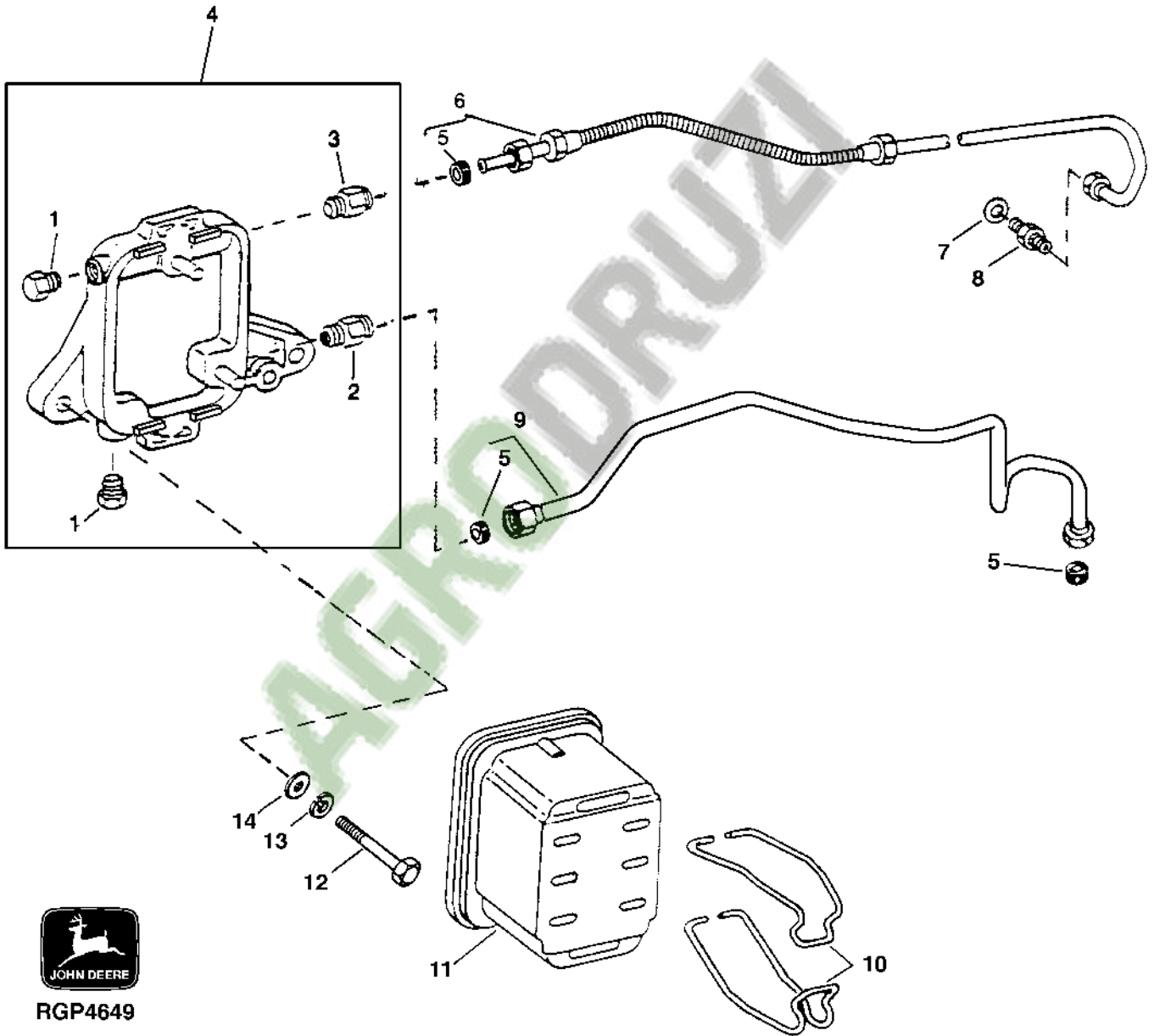


RGP3247

2F9

6076 ENGINE (ENGINE SERIAL NUMBER 500000-)

FUEL FILTER AND LINES (HH030, HH032, HH034, HH036)
(ENGINE SERIAL NO. 500000-)
RGP4649 -UN-04APR96

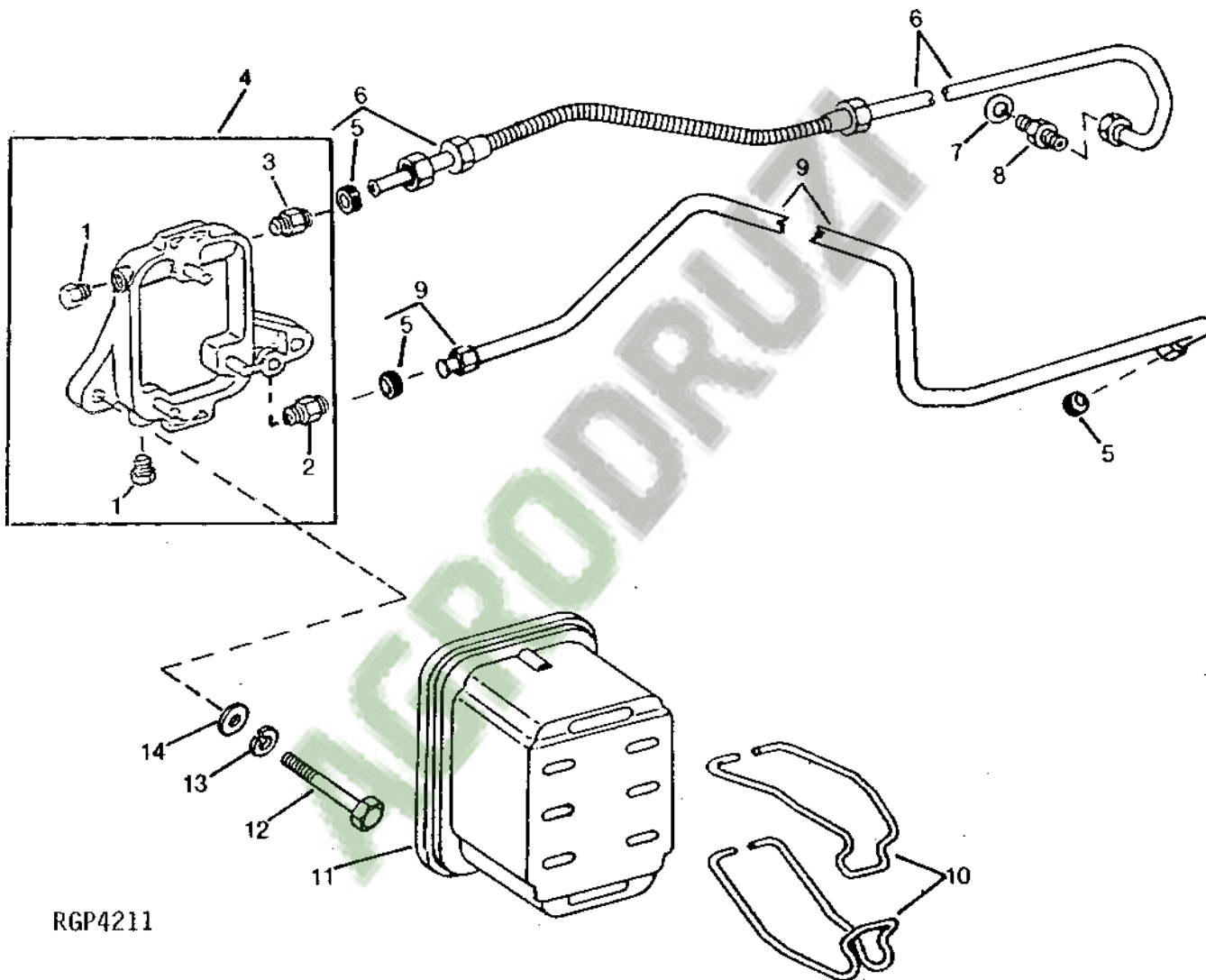


RGP4649

2F11

6076 ENGINE (ENGINE SERIAL NUMBER 500000-)

FUEL FILTER AND LINES (6076HH031, HH035)
(ENGINE SERIAL NO. 500000-)
RGP4211 -UN-01JAN94

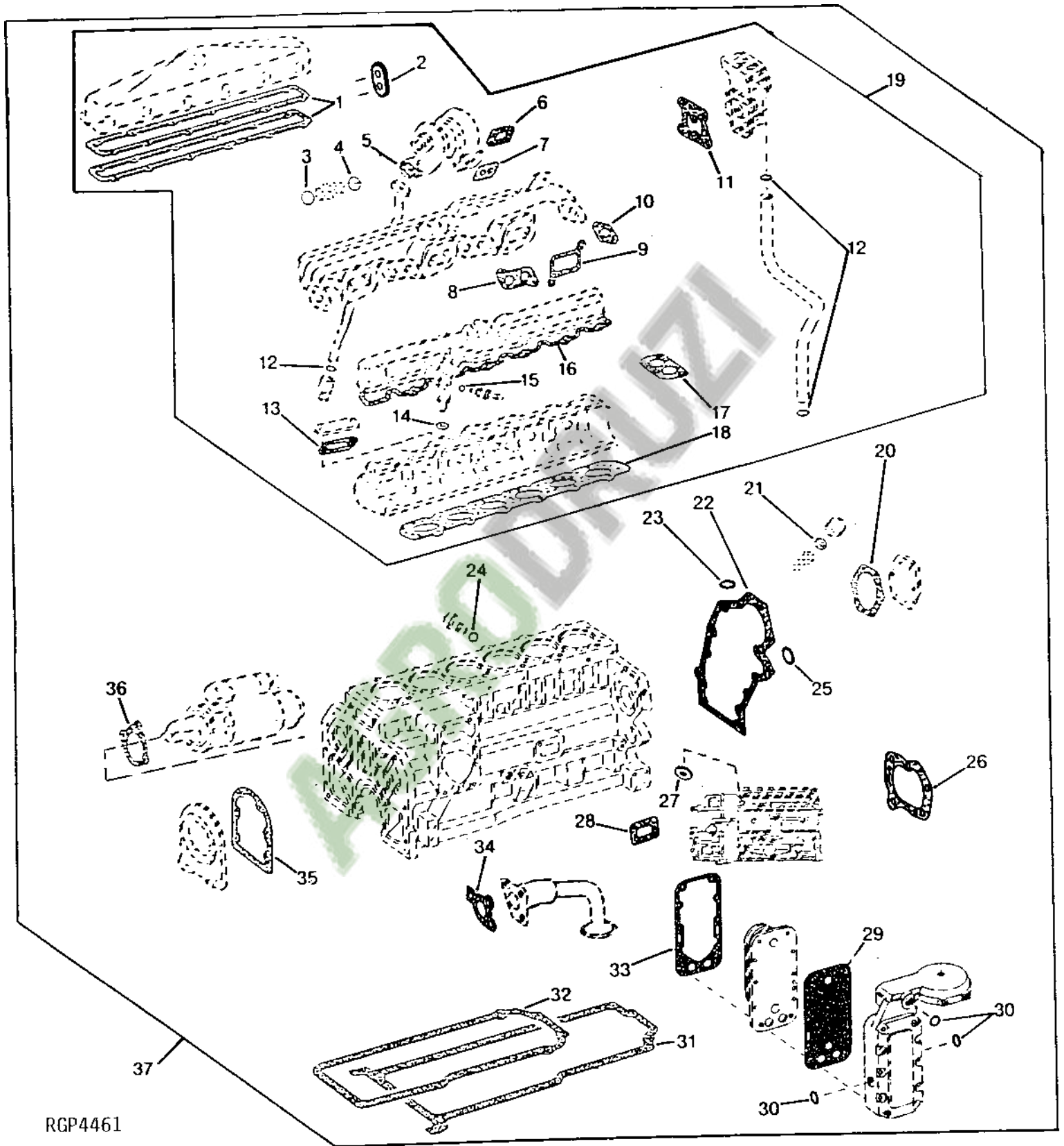


RGP4211

2F13

6076 ENGINE (ENGINE SERIAL NUMBER 500000-)

ENGINE GASKET KITS
(ENGINE SERIAL NO. 500000-)
RGP4461 -UN-16MAR95

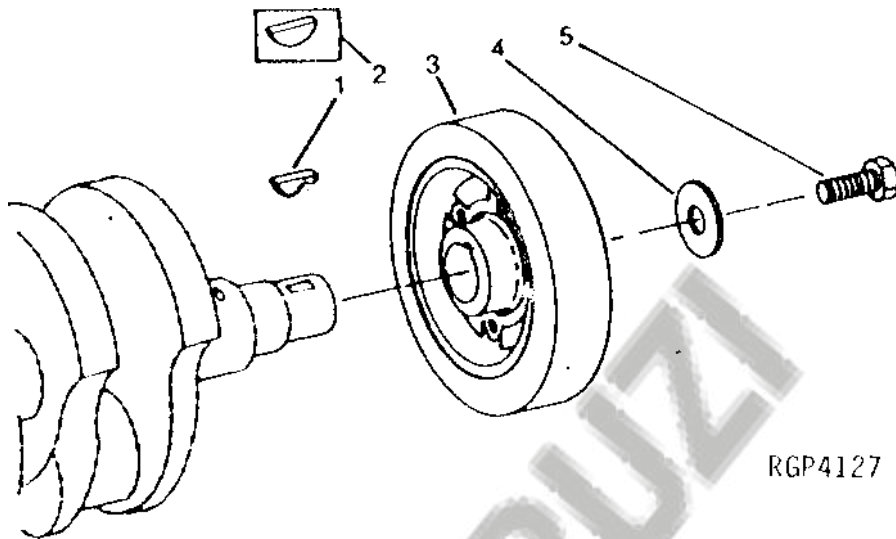


RGP4461

2F15

6076 ENGINE (ENGINE SERIAL NUMBER 500000-)

CRANKSHAFT DAMPER
(ENGINE SERIAL NO. 500000-)
RGP4127 -UN-01JAN94



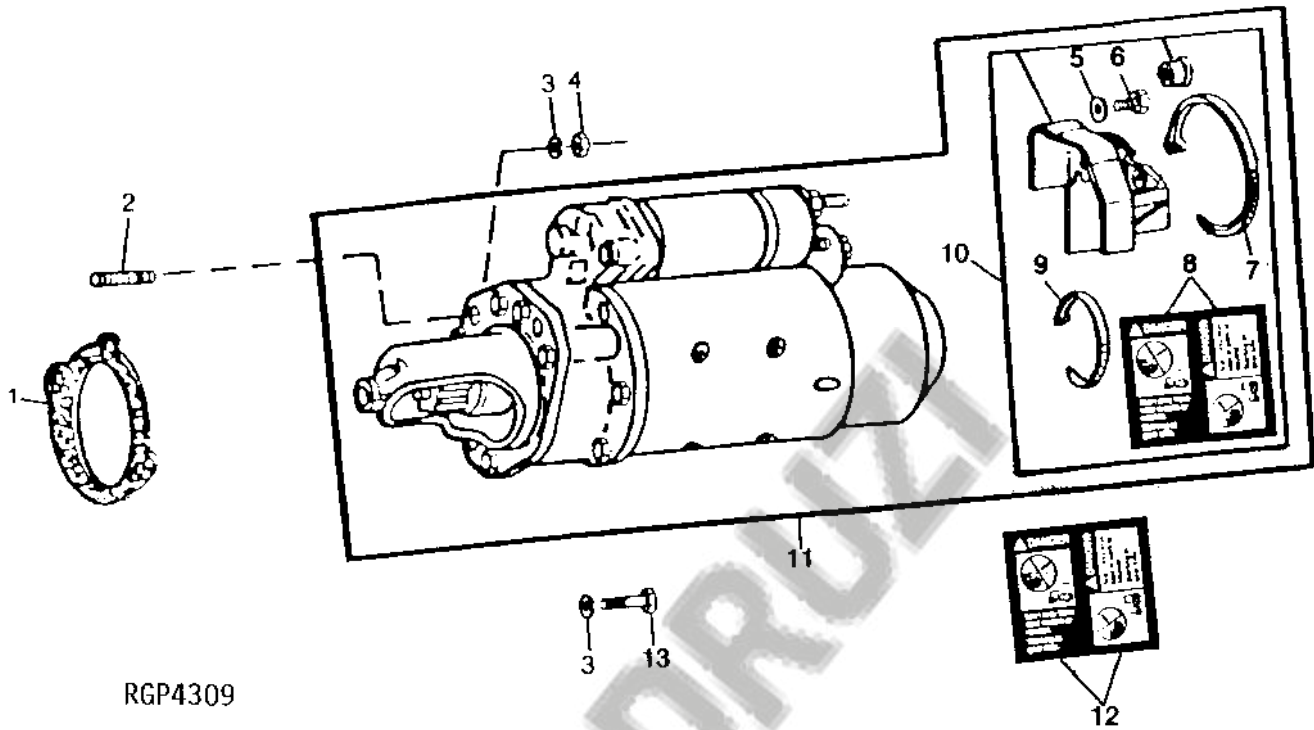
KEY	PART NO.	PART NAME	QTY	ENGINE SERIAL NO.	REMARKS
-----	----------	-----------	-----	-------------------	---------

AGRO DRUZI

2F16

6076 ENGINE (ENGINE SERIAL NUMBER 500000-)

STARTING MOTOR (12V F4)
 (DENSO)
 (ENGINE SERIAL NO. 500000-)
 RGP4309 -UN-14SEP95



RGP4309

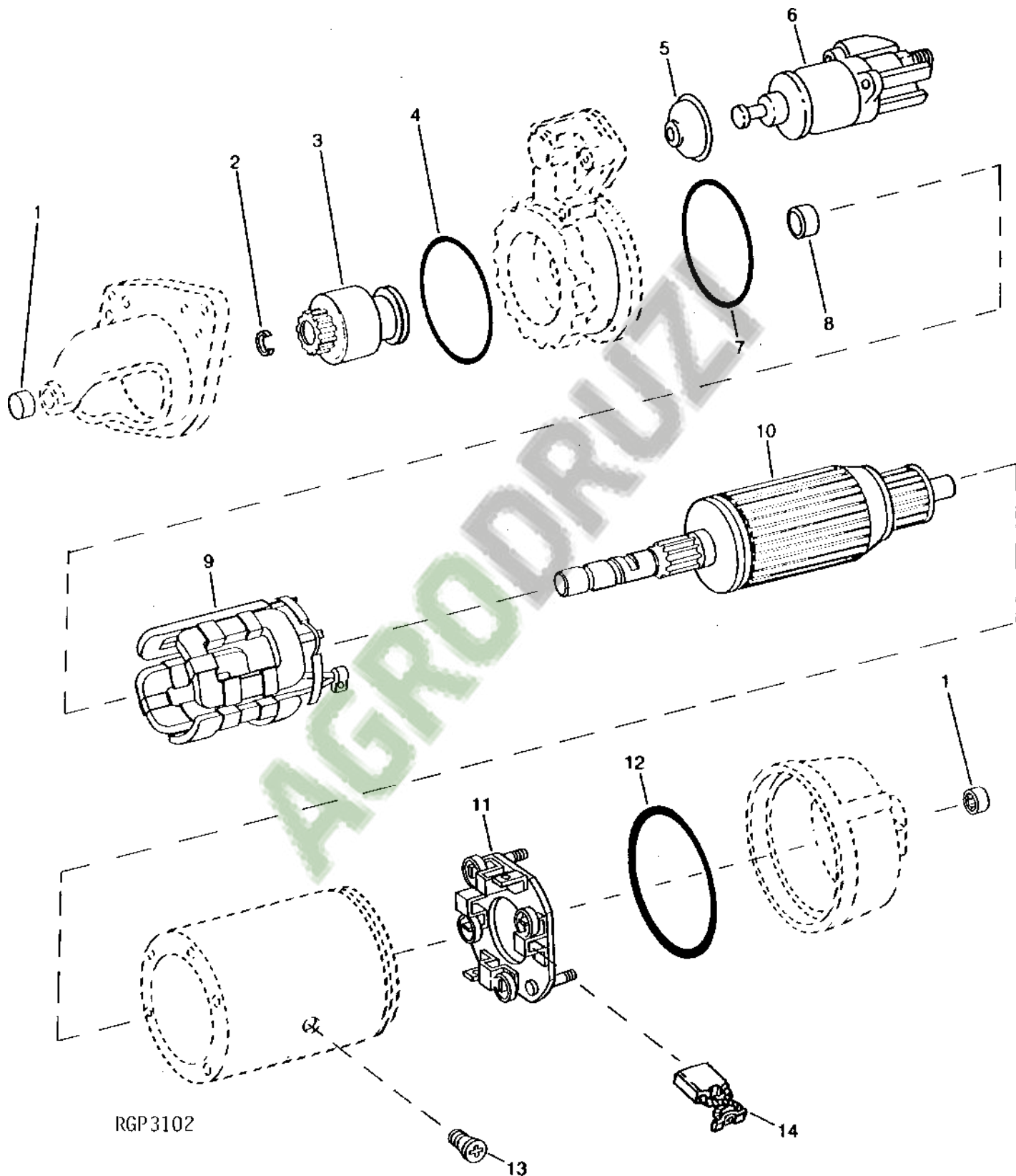
KEY	PART NO.	PART NAME	QTY	ENGINE SERIAL NO.	REMARKS
-----	----------	-----------	-----	-------------------	---------

AGRO DRUCK

2F17

6076 ENGINE (ENGINE SERIAL NUMBER 500000-)

STARTING MOTOR (12V F4)
(DENSO NO. 128000-5972 OR 128000-5973)
(ENGINE SERIAL NO. 500000-)
RGP3102 -UN-01JAN94

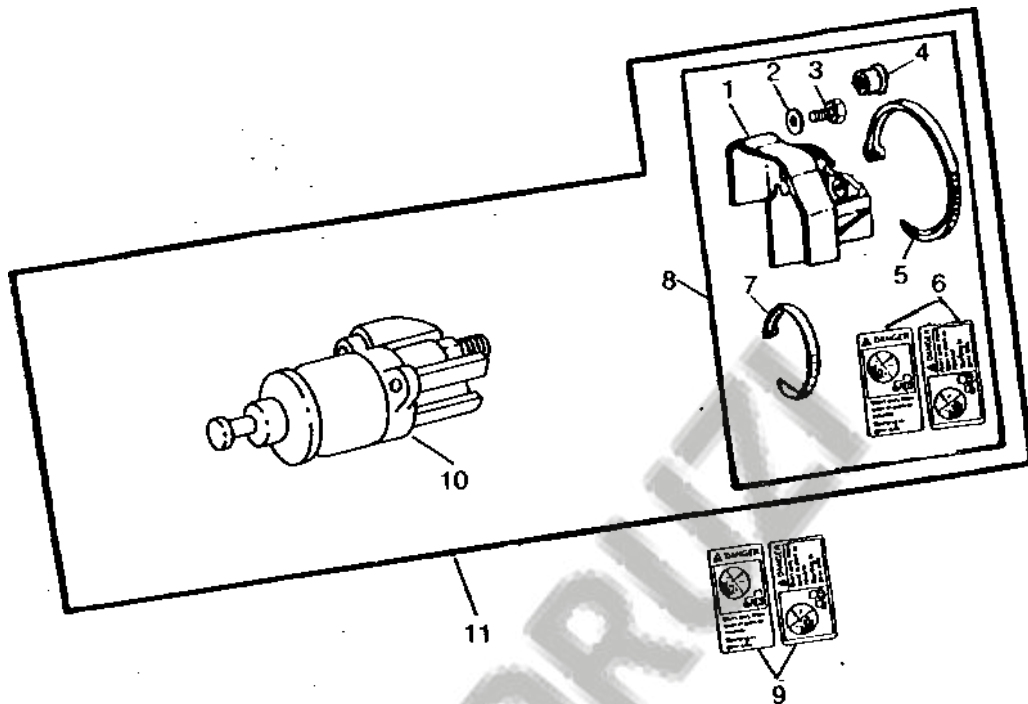


RGP3102

2F19

6076 ENGINE (ENGINE SERIAL NUMBER 50000-)

STARTER SOLENOID SWITCH
 (12 VOLT) (JOHN DEERE)
 (DENSO NO. 128000-5972)
 RGP3593 -UN-01JAN94



RGP3593

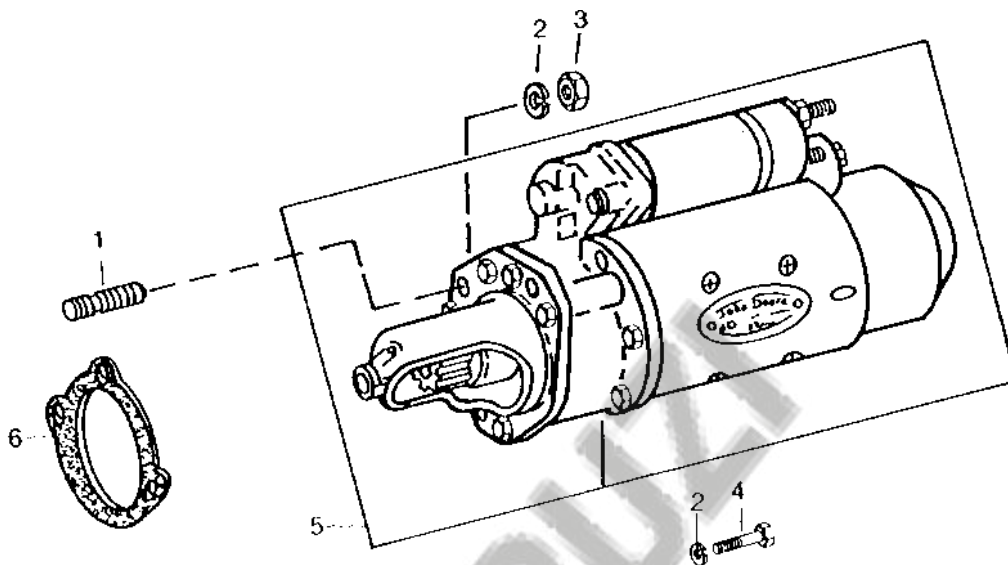
KEY	PART NO.	PART NAME	QTY	ENGINE SERIAL NO.	REMARKS
-----	----------	-----------	-----	-------------------	---------

AGRODRIVE

2F20

6076 ENGINE (ENGINE SERIAL NUMBER 50000-)

STARTING MOTOR
 (12-VOLT)
 (DENSO)
 (ENGINE SERIAL NO. -136850)
 RGP3021 -UN-01JAN94



RGP3021

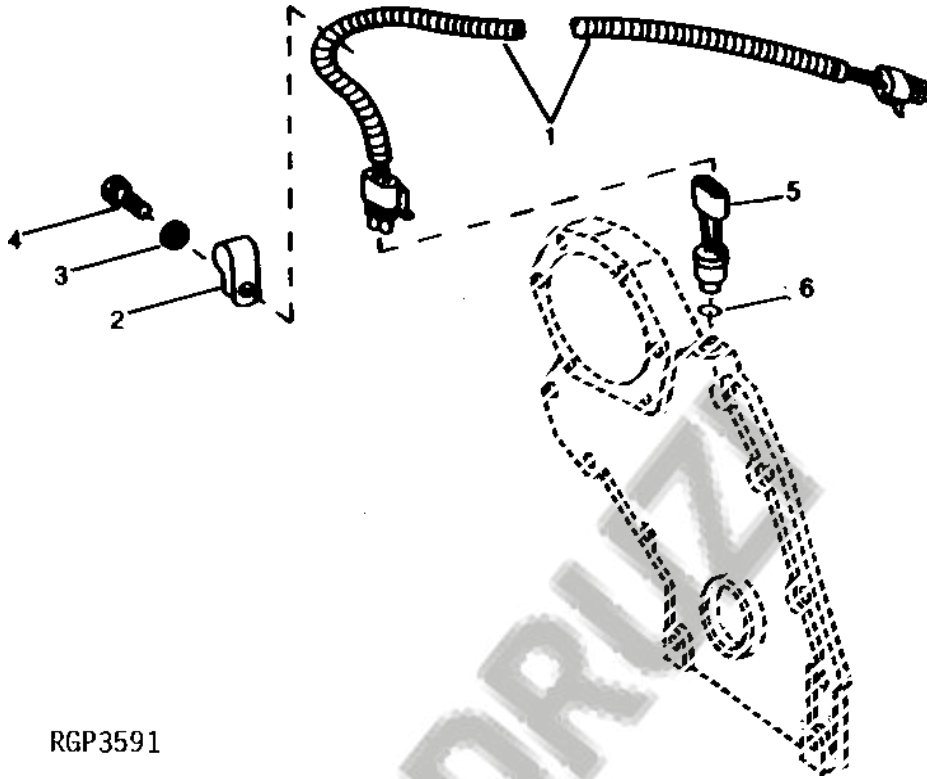
KEY	PART NO.	PART NAME	QTY	ENGINE SERIAL NO.	REMARKS
-----	----------	-----------	-----	-------------------	---------

AGRODRIVE

2F21

6076 ENGINE (ENGINE SERIAL NUMBER 500000-)

MAGNETIC PICK-UP
(ENGINE SERIAL NO. 500000-)
RGP3591 -UN-20OCT94



RGP3591

KEY	PART NO.	PART NAME	QTY	ENGINE SERIAL NO.	REMARKS
-----	----------	-----------	-----	-------------------	---------

AGRODRIVE

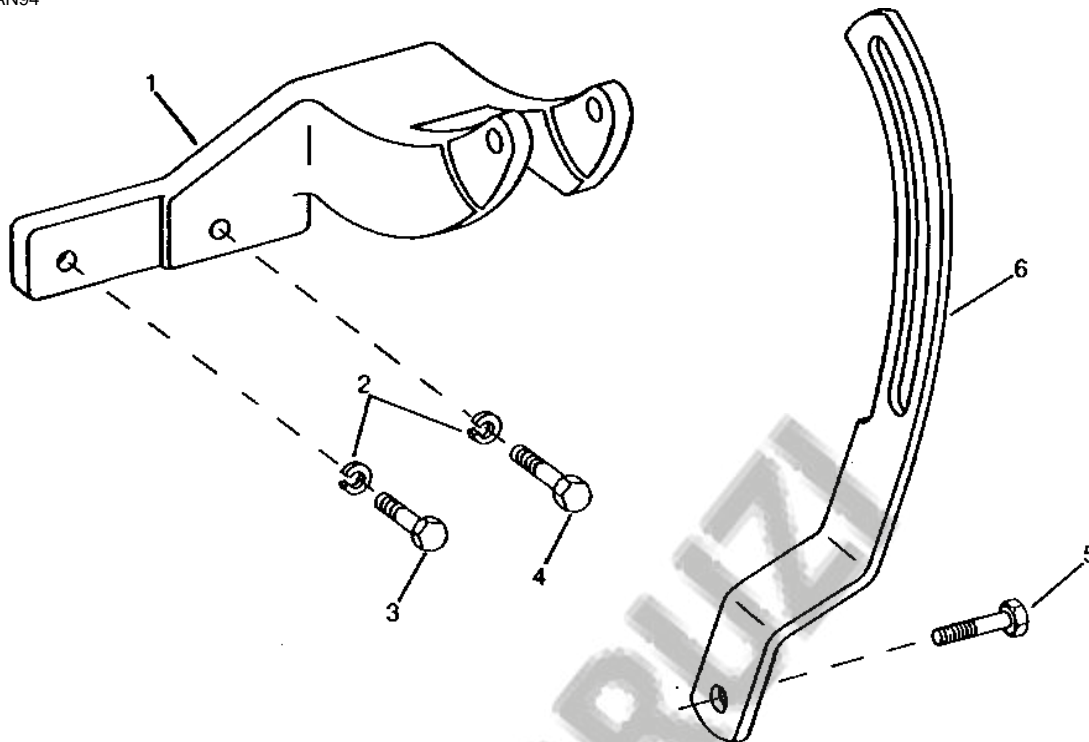
2F22

6076 ENGINE (ENGINE SERIAL NUMBER 500000-)

ALTERNATOR MOUNTING BRACKET AND ADJUSTING STRAP

(ENGINE SERIAL NO. 500000-)

RGP3620 -UN-01JAN94

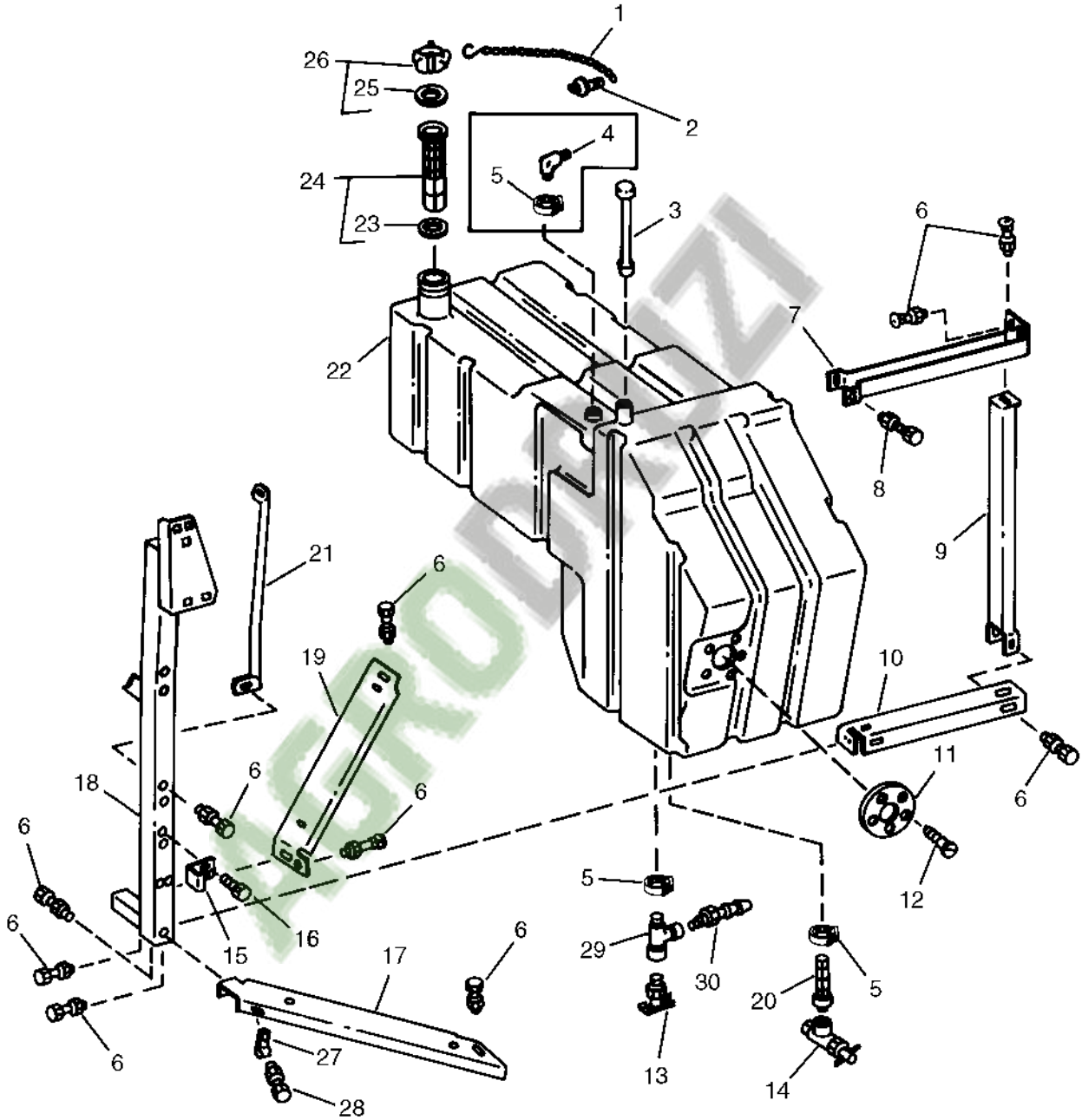


KEY	PART NO.	PART NAME	QTY	ENGINE SERIAL NO.	REMARKS
	RGP3620				

AGRODRIVE

2G3

FUEL TANK, SUPPORTS, AND FITTINGS
HP9320 -UN-16NOV99

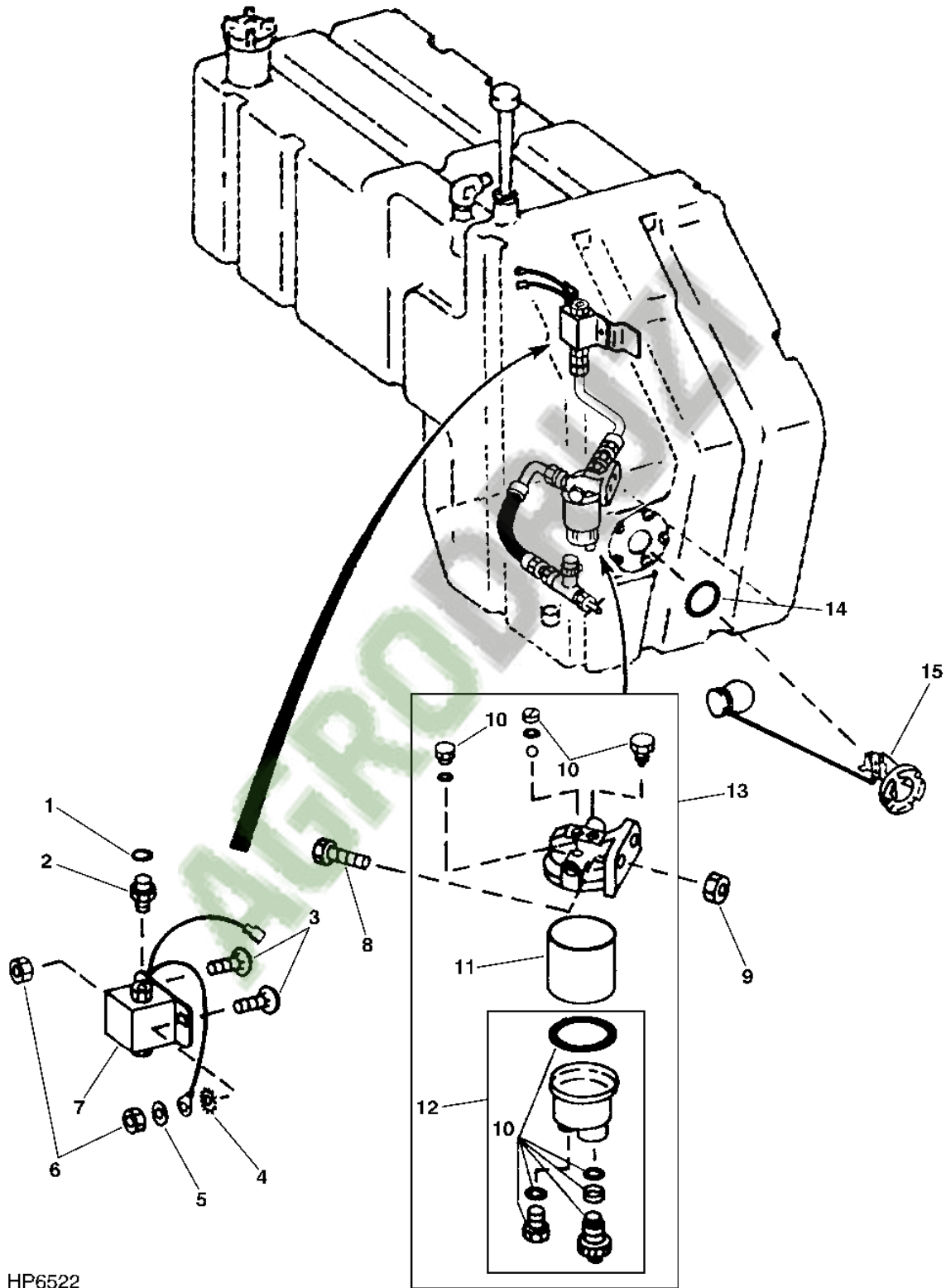


HP9320

2G5

ELECTRIC FUEL PUMP, WATER SEPARATOR AND FUEL FLOAT

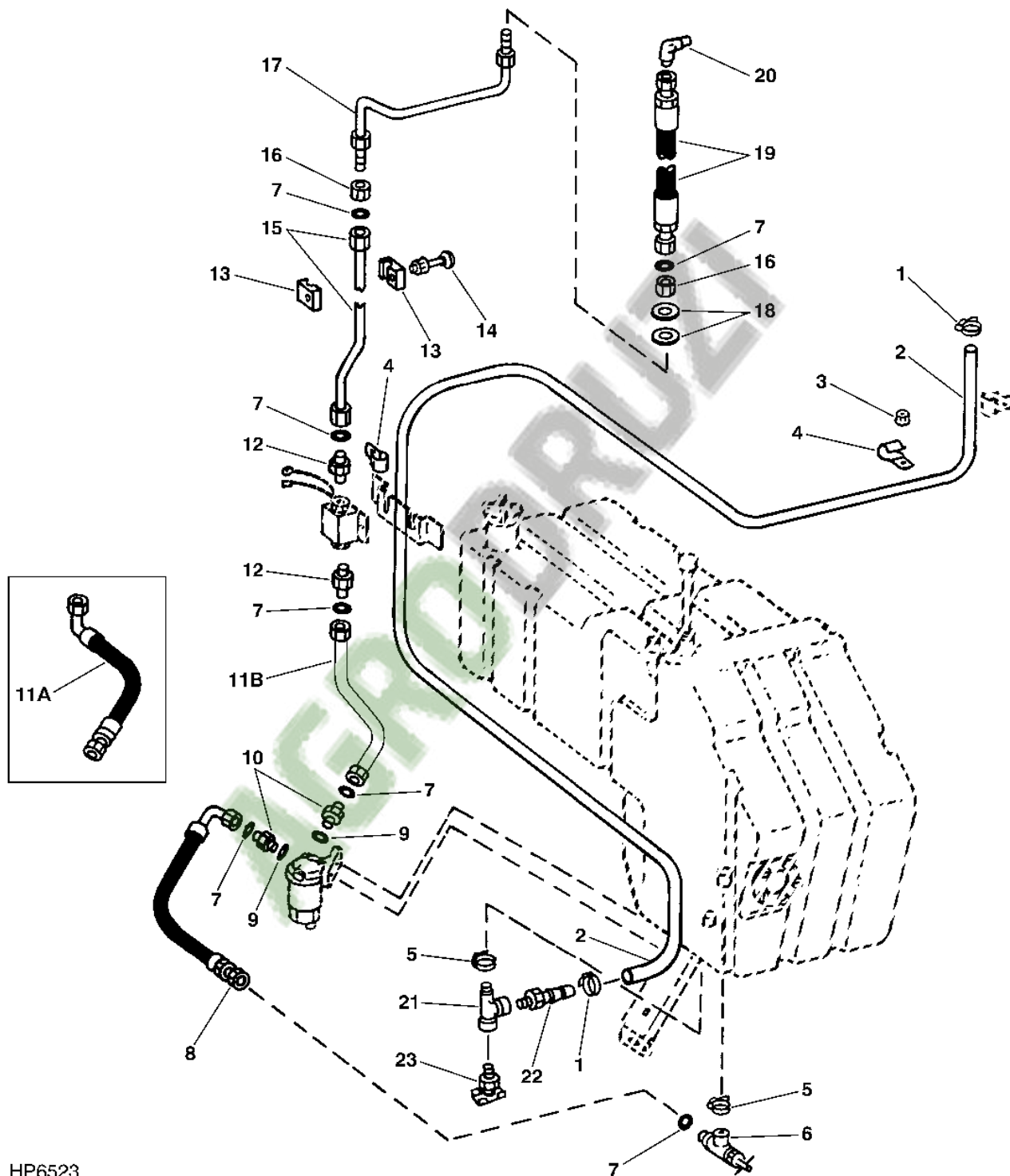
HP6522 -UN-15JUL96



HP6522

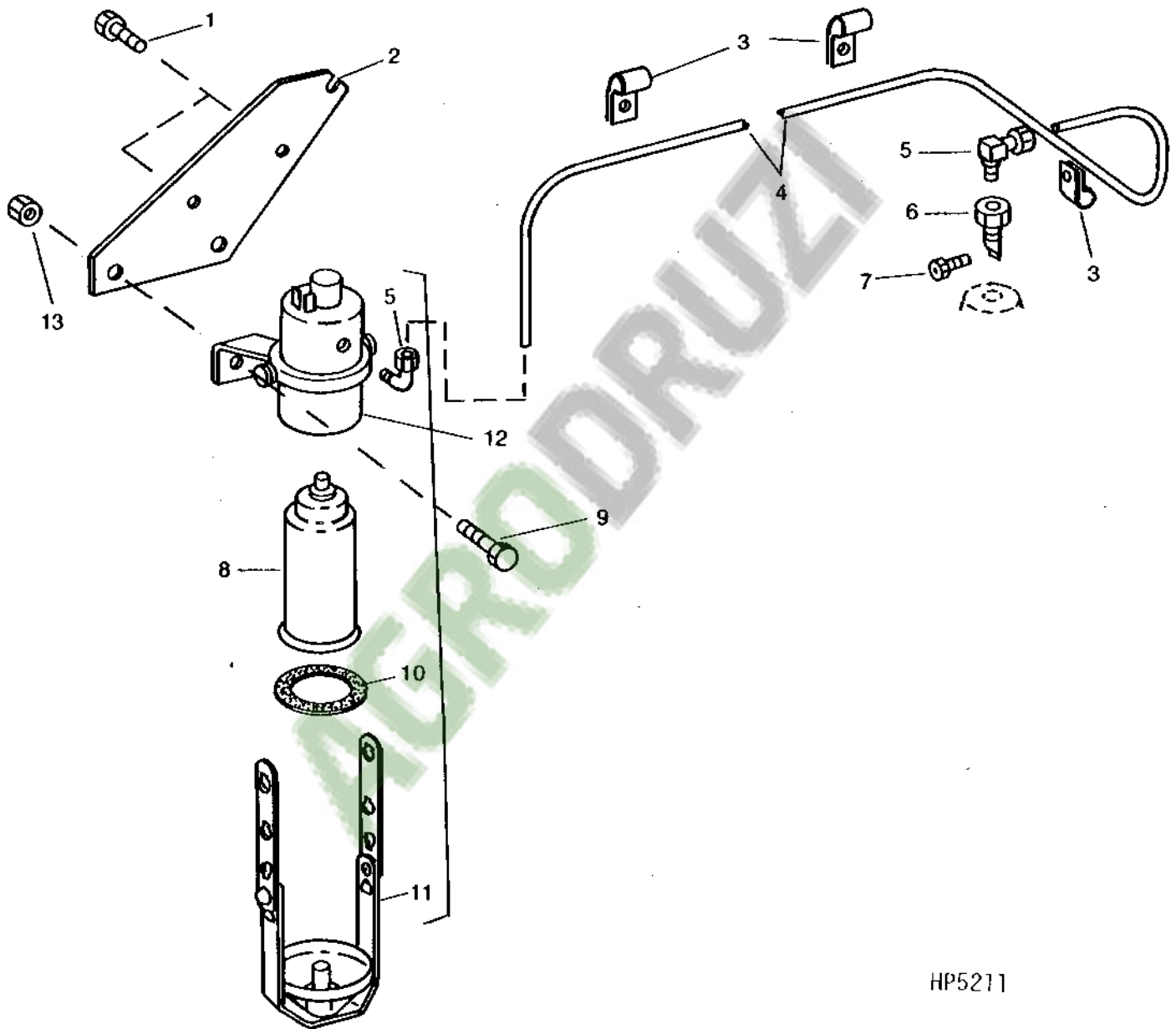
TANK FUEL LINES AND FITTINGS

HP6523 -UN-15JUL96



HP6523

COLD WEATHER STARTING AID
(-656805)
HP5211 -UN-01JAN94

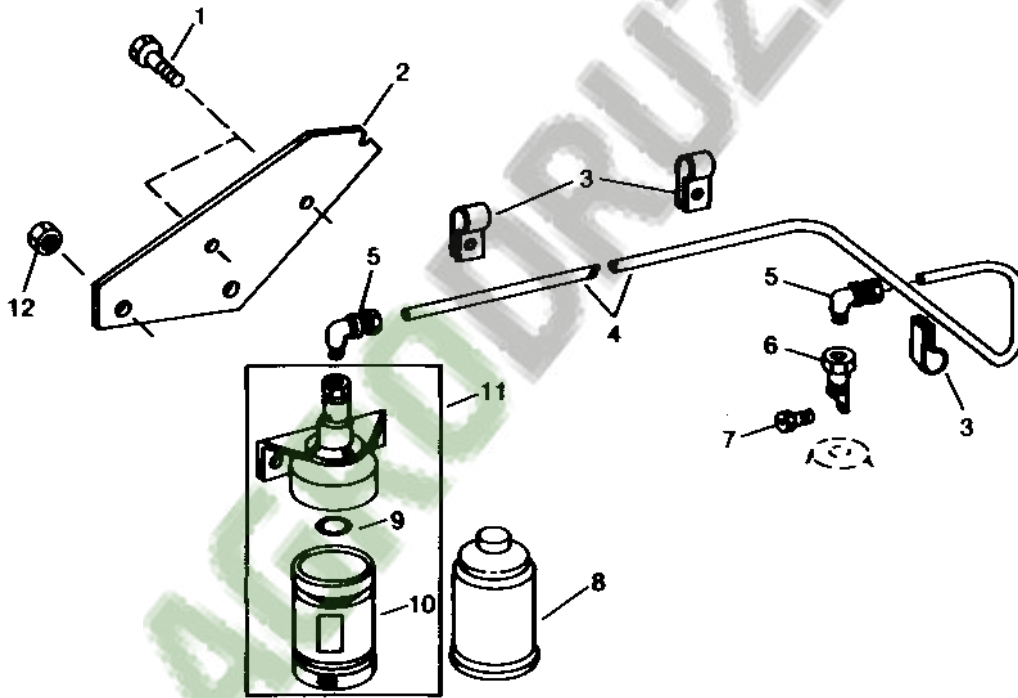


HP5211

2G11

COLD WEATHER STARTING AID

(656806-)
HP5856 -UN-15OCT94



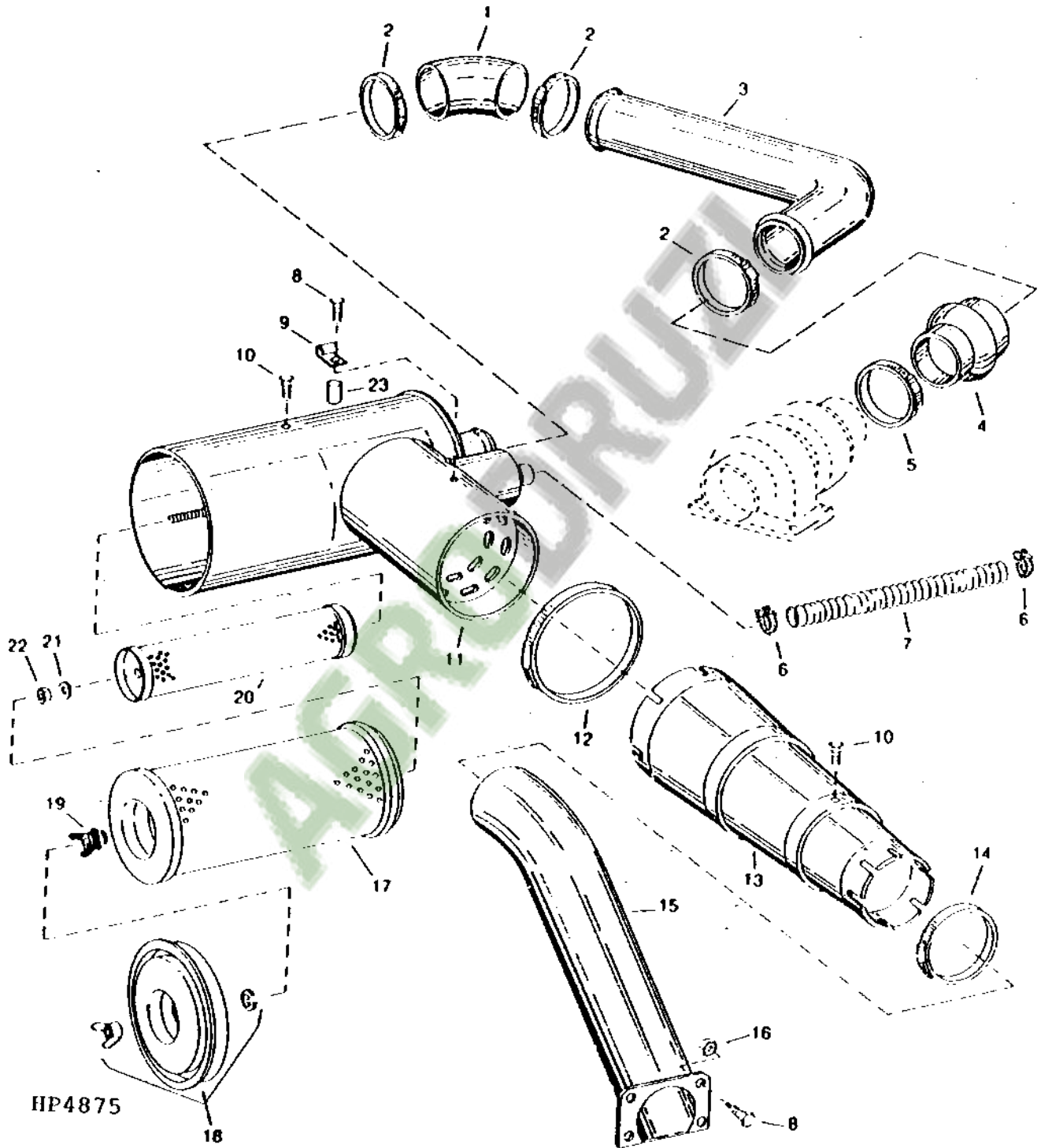
HP5856

2G13

AIR CLEANER AND INTAKE TUBES

(-645200)

HP4875 -UN-01JAN94



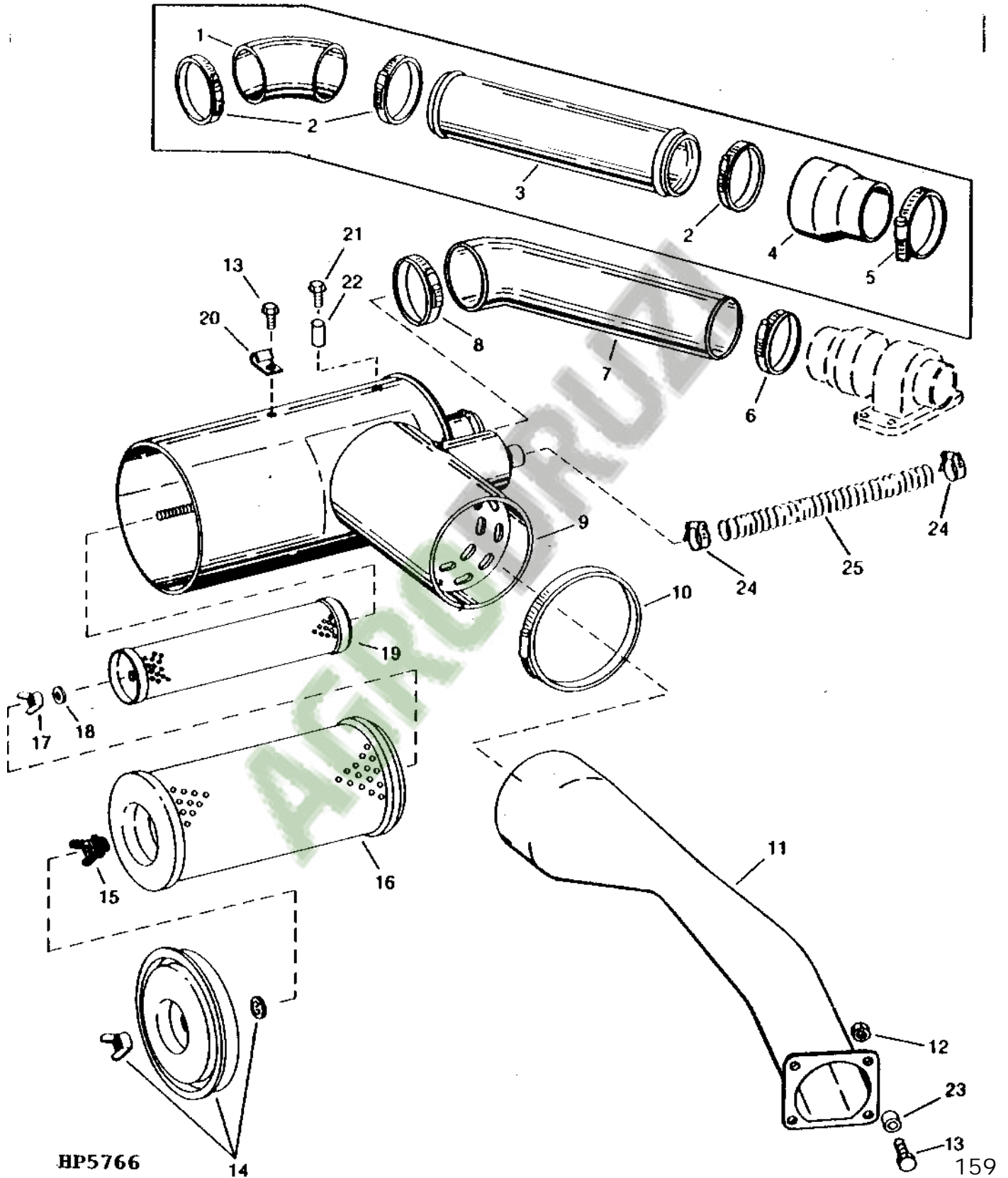
HP4875

2G15

FUEL AND AIR

AIR CLEANER AND INTAKE TUBES

(645201-)
HP5766 -UN-01JAN94

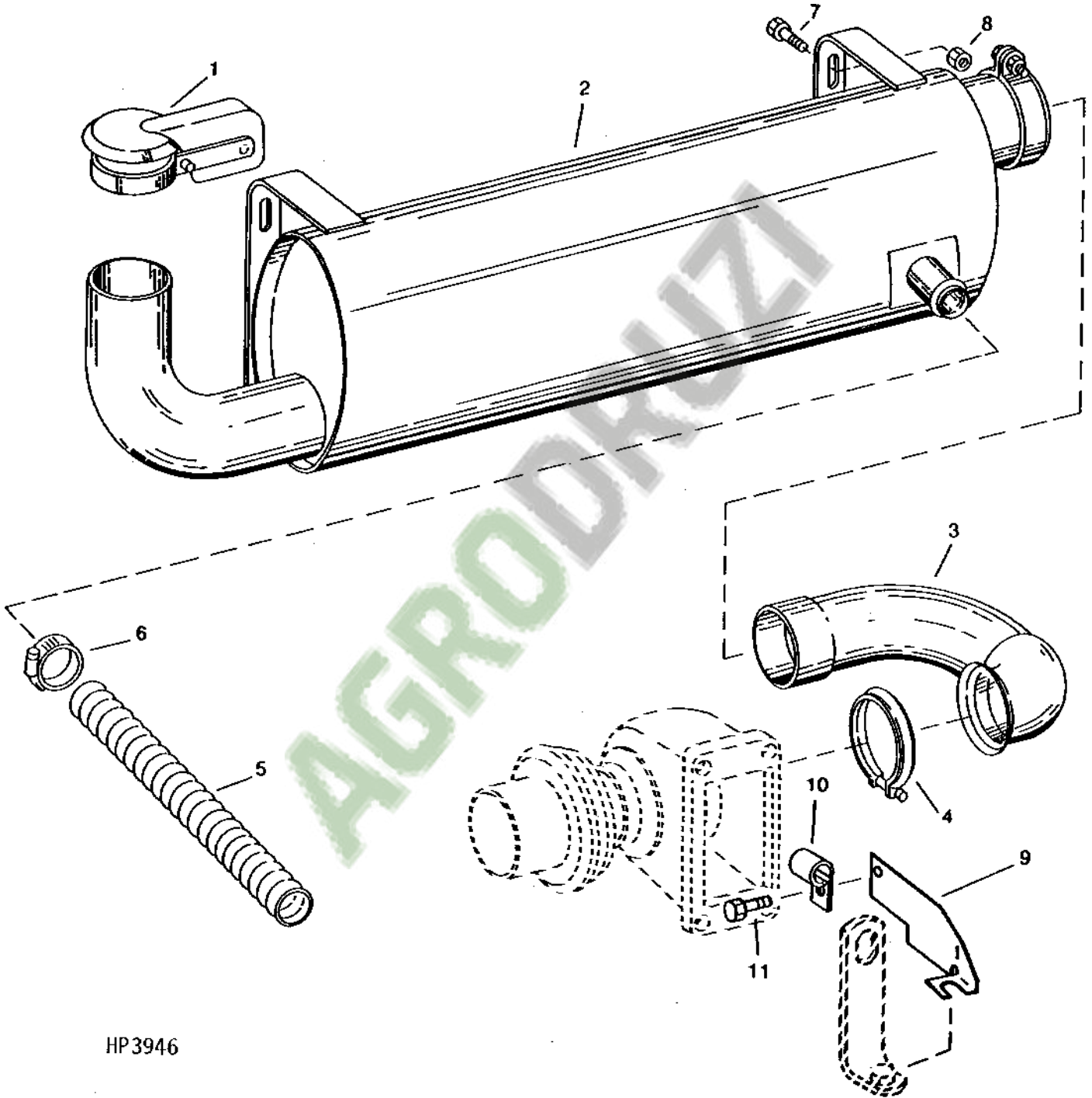


HP5766

159

2G17

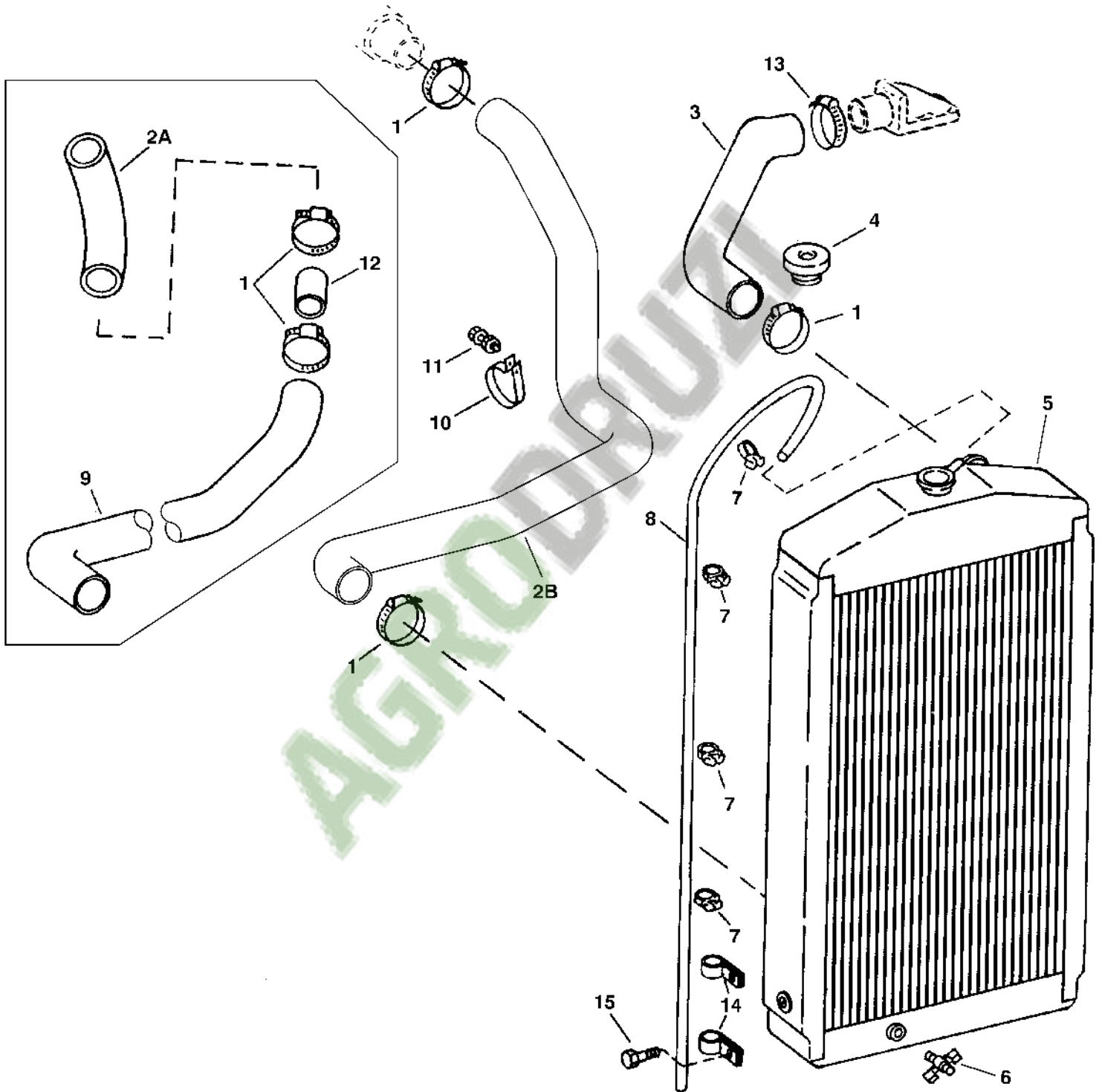
MUFFLER AND EXHAUST PIPE
HP3946 -UN-01JAN94



HP3946

2G19

RADIATOR AND HOSES
HP6656 -UN-07MAR97

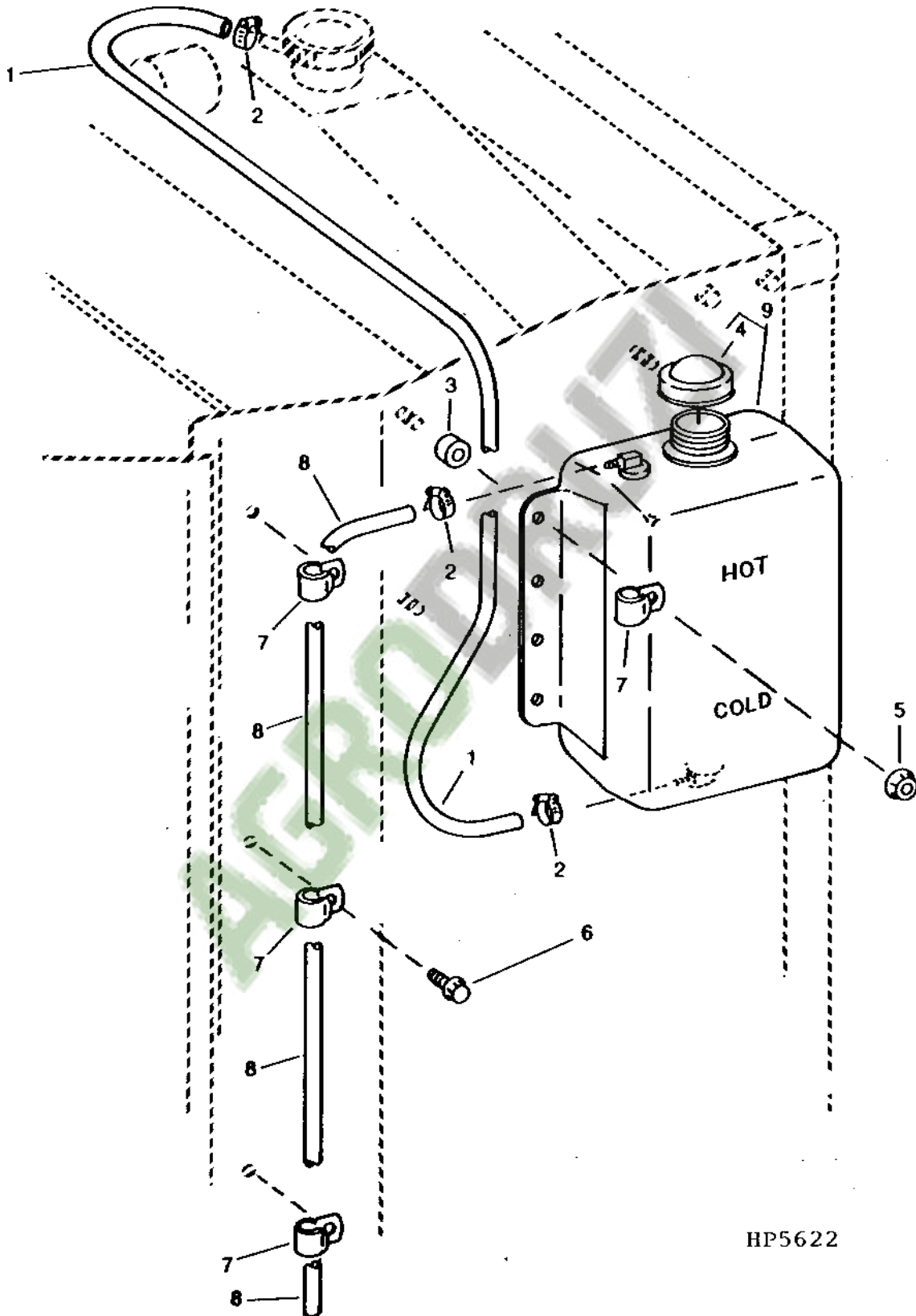


HP6656

161

2G21

COOLANT RECOVERY TANK
HP5622 -UN-01JAN94

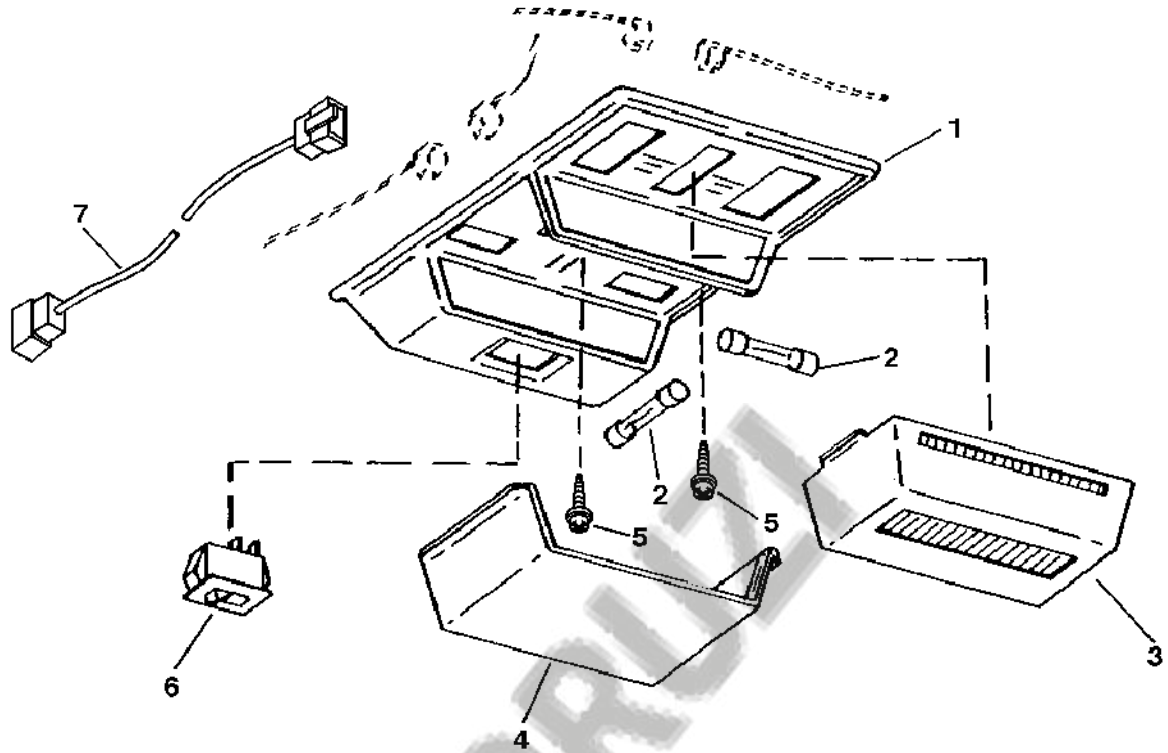


HP5622

3C6

ELECTRICAL

CAB DOME LIGHT
 HP6762 -UN-18AUG97

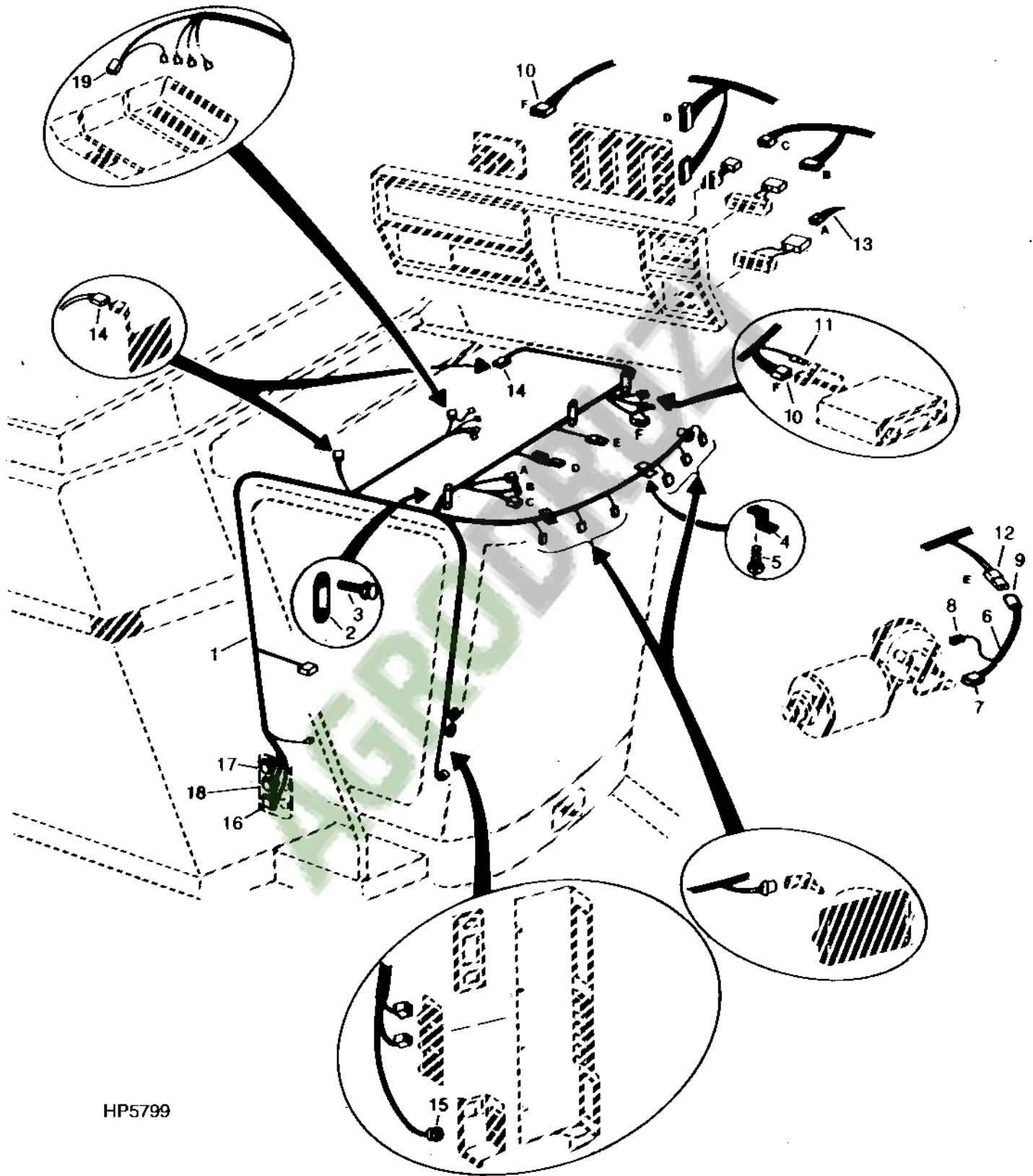


HP6762

KEY	PART NO.	PART NAME	QTY	SERIAL NO.	REMARKS
				S H 9 9 5 5 0 0 0 0	

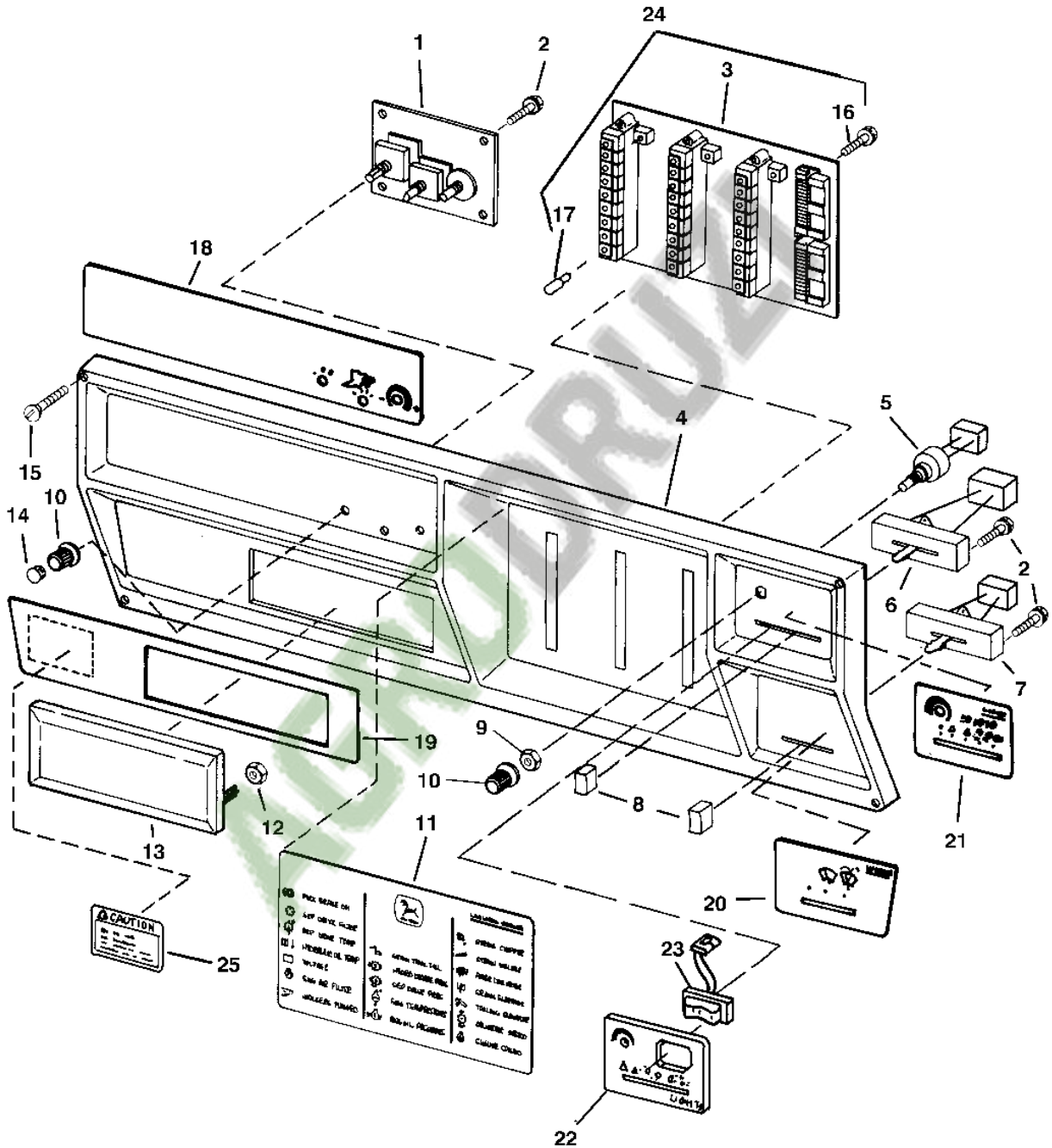
AGRODRIVE

CAB WIRING HARNESS
HP5799 -UN-15OCT94



HP5799

OVERHEAD CONSOLE PANEL
HP6544 -UN-23AUG96

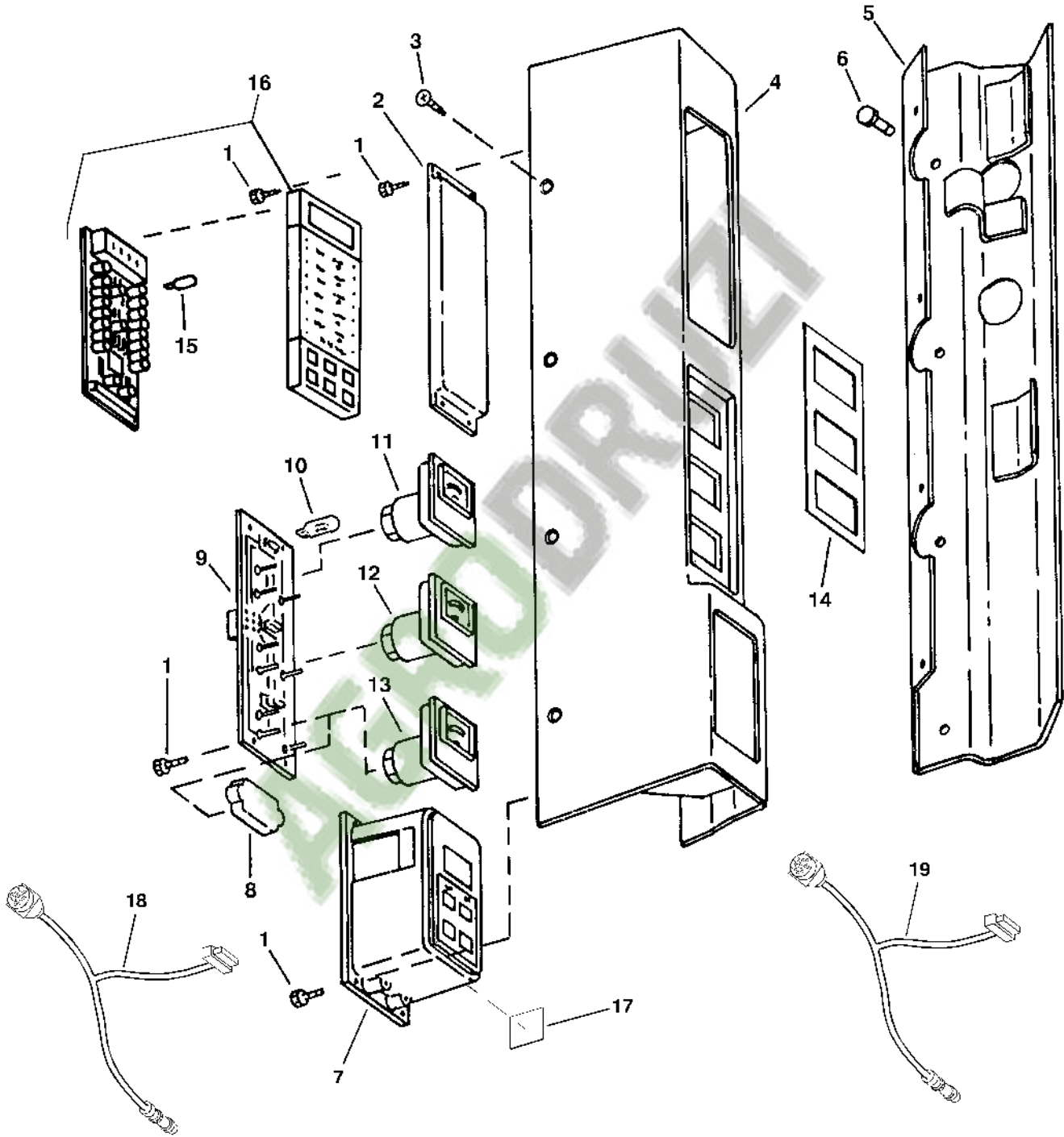


HP6544

3C11

ELECTRICAL

CAB POST INSTRUMENT PANEL
HP7510 -UN-06MAY98



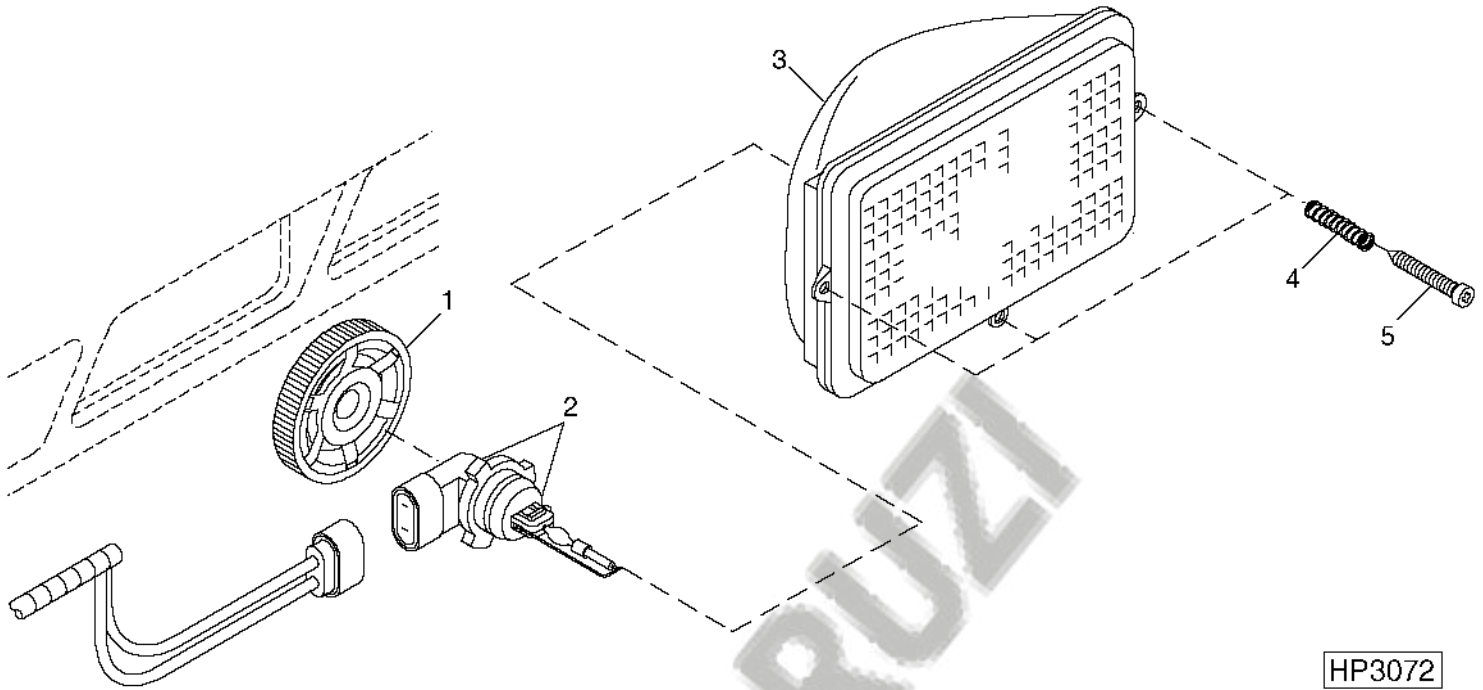
HP7510

166

3C13

ELECTRICAL

CAB ROOF LIGHTS
 HP3072 -UN-24AUG99



HP3072

KEY	PART NO.	PART NAME	QTY	SERIAL NO.	REMARKS
				S H 9 5 0 0	

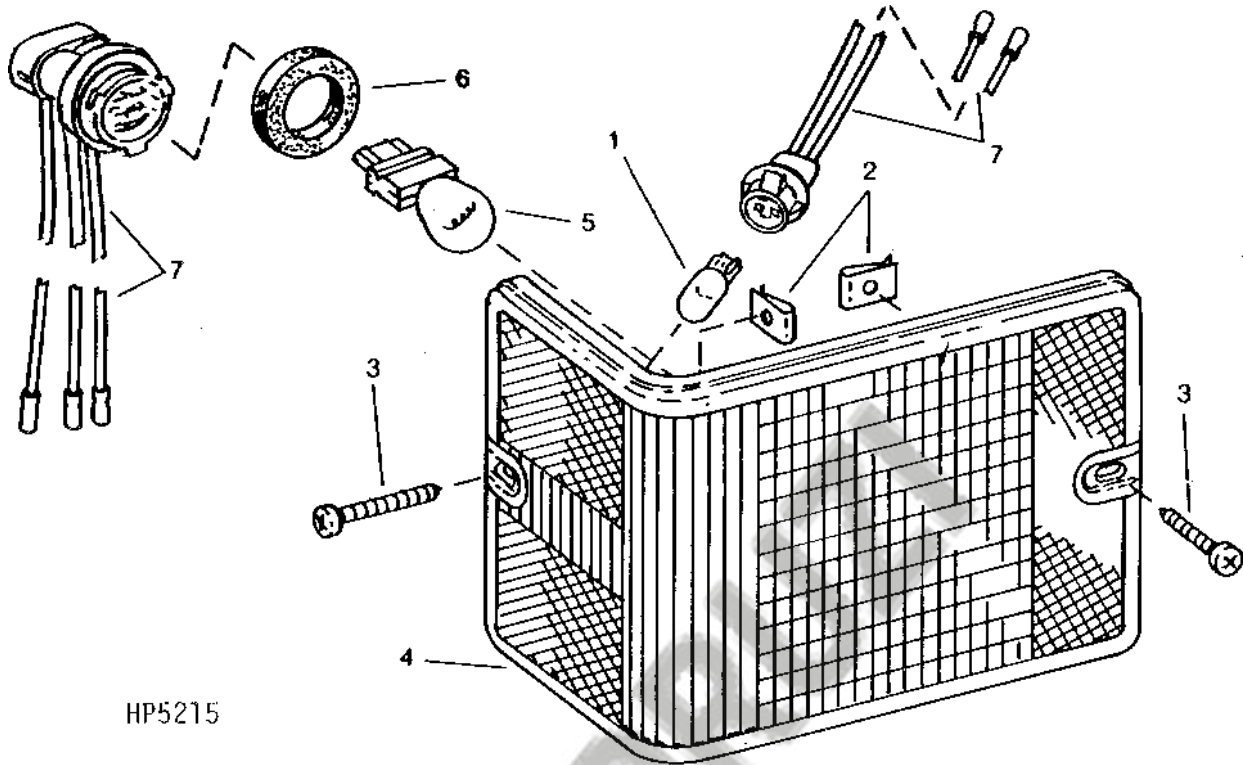
AGRODRUZI

3C14

ELECTRICAL

FRONT AND REAR TURN AND TAIL LIGHTS

HP5215 -UN-01JAN94



HP5215

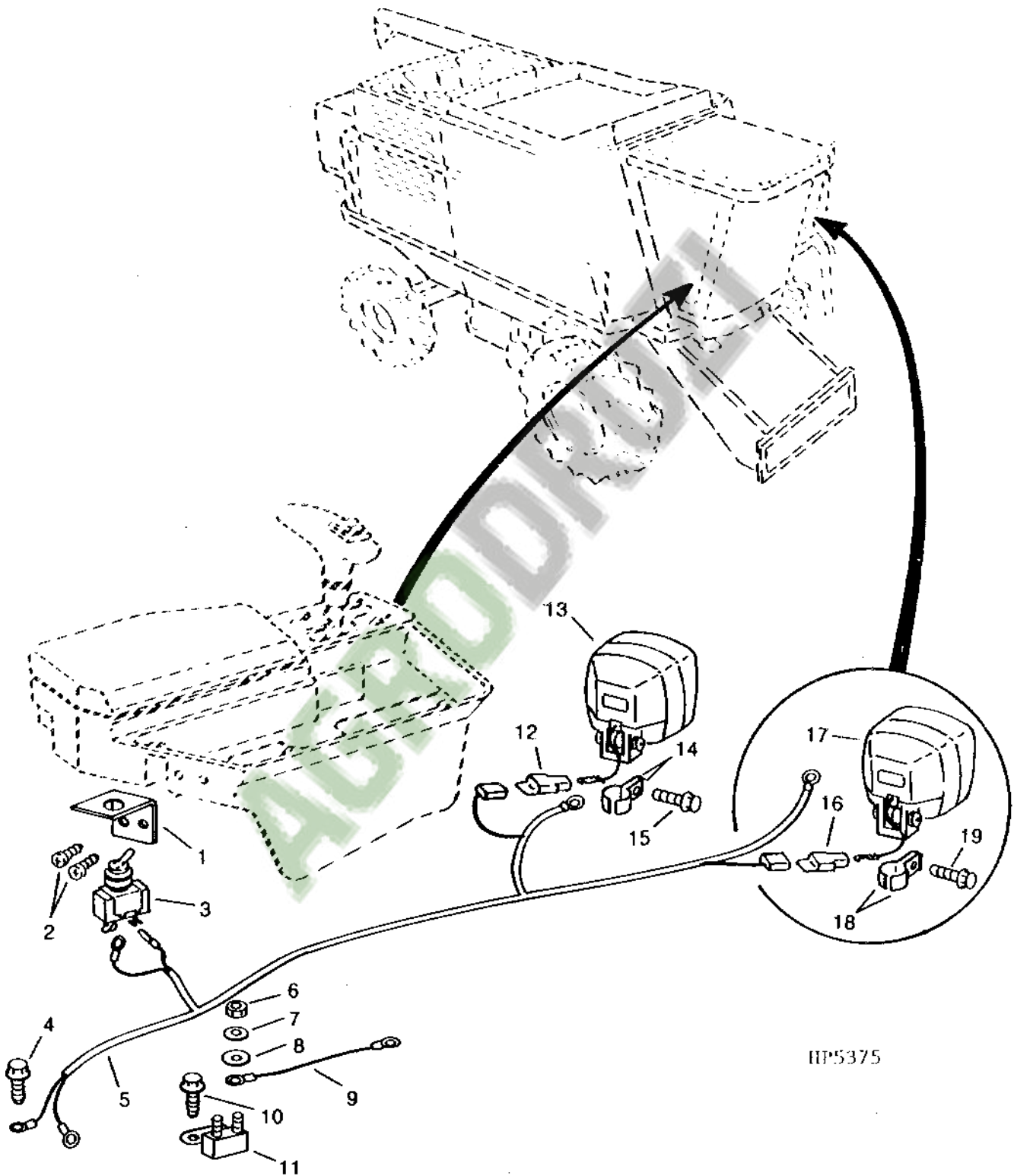
KEY	PART NO.	PART NAME	QTY	SERIAL NO.	REMARKS
				S	
				H	
				9	
				5	
				0	
				0	

AGROD

3C15

ELECTRICAL

AUXILIARY FIELD LIGHTING (FIELD INSTALLED)
HP5375 -UN-01JAN94

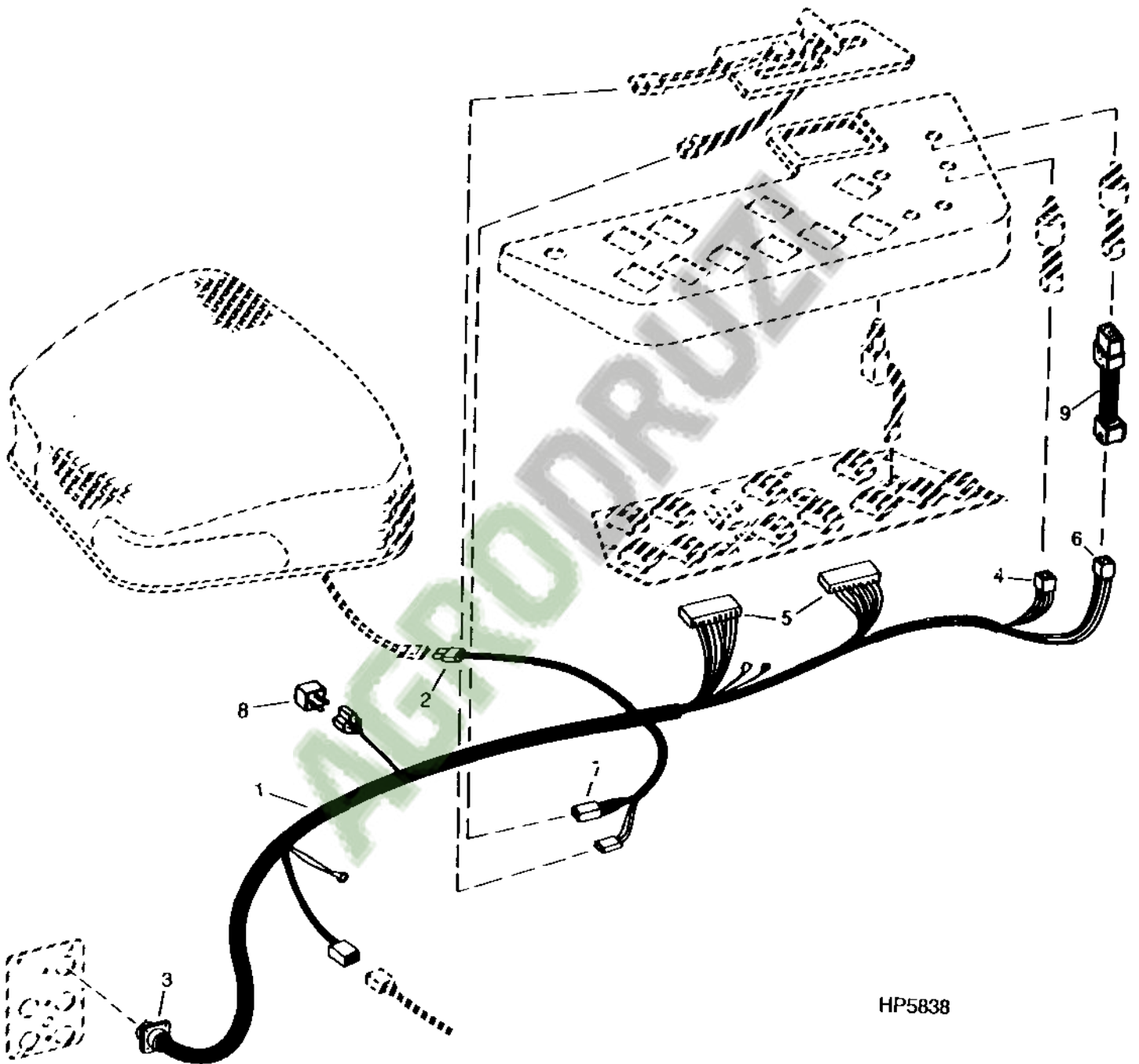


HP5375

3C17

ELECTRICAL

ARMREST WIRING HARNESS
HP5838 -UN-15OCT94

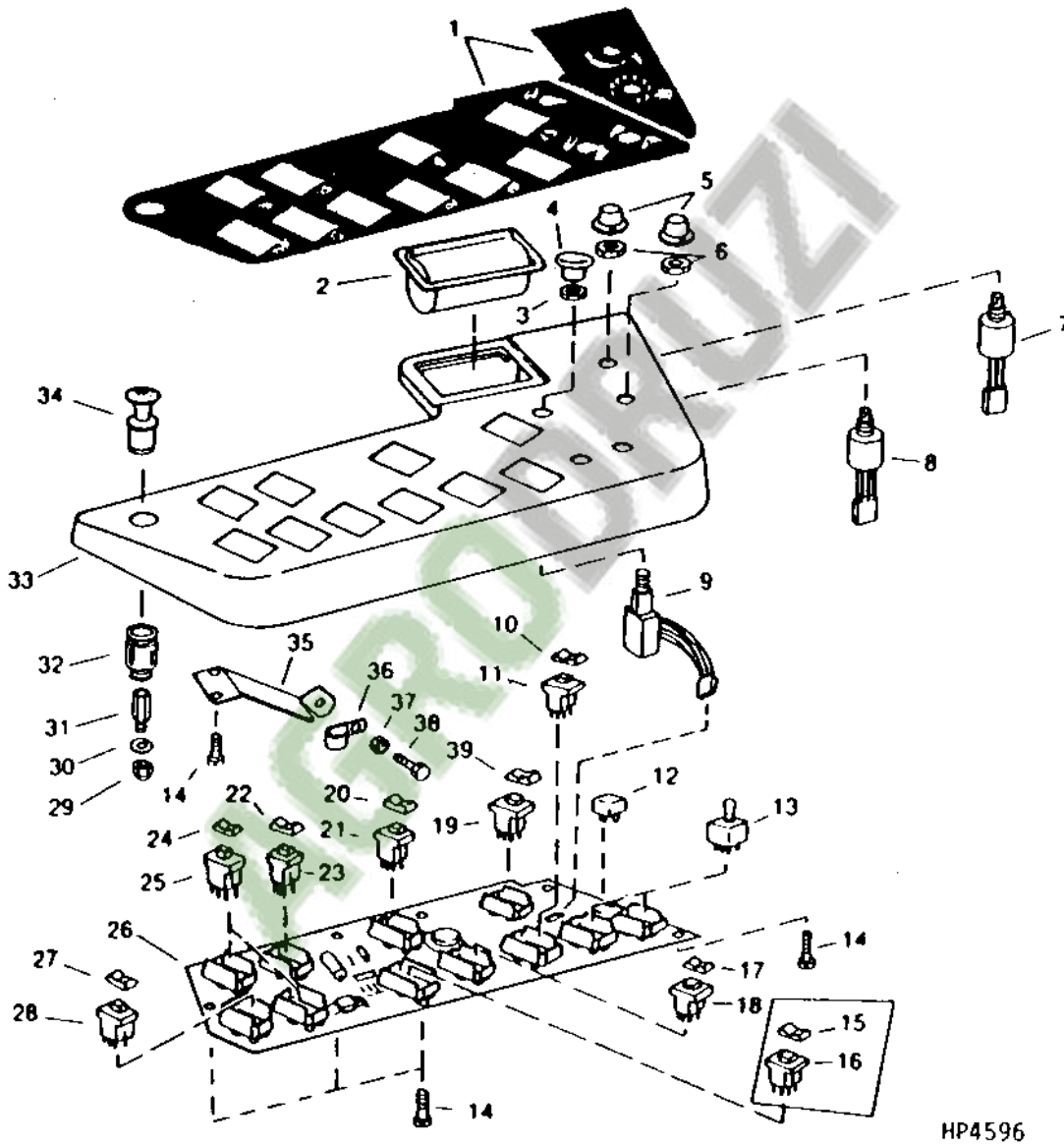


HP5838

3C19

ELECTRICAL

ARMREST CONTROL PANEL
HP4596 -UN-29JUN92



HP4596

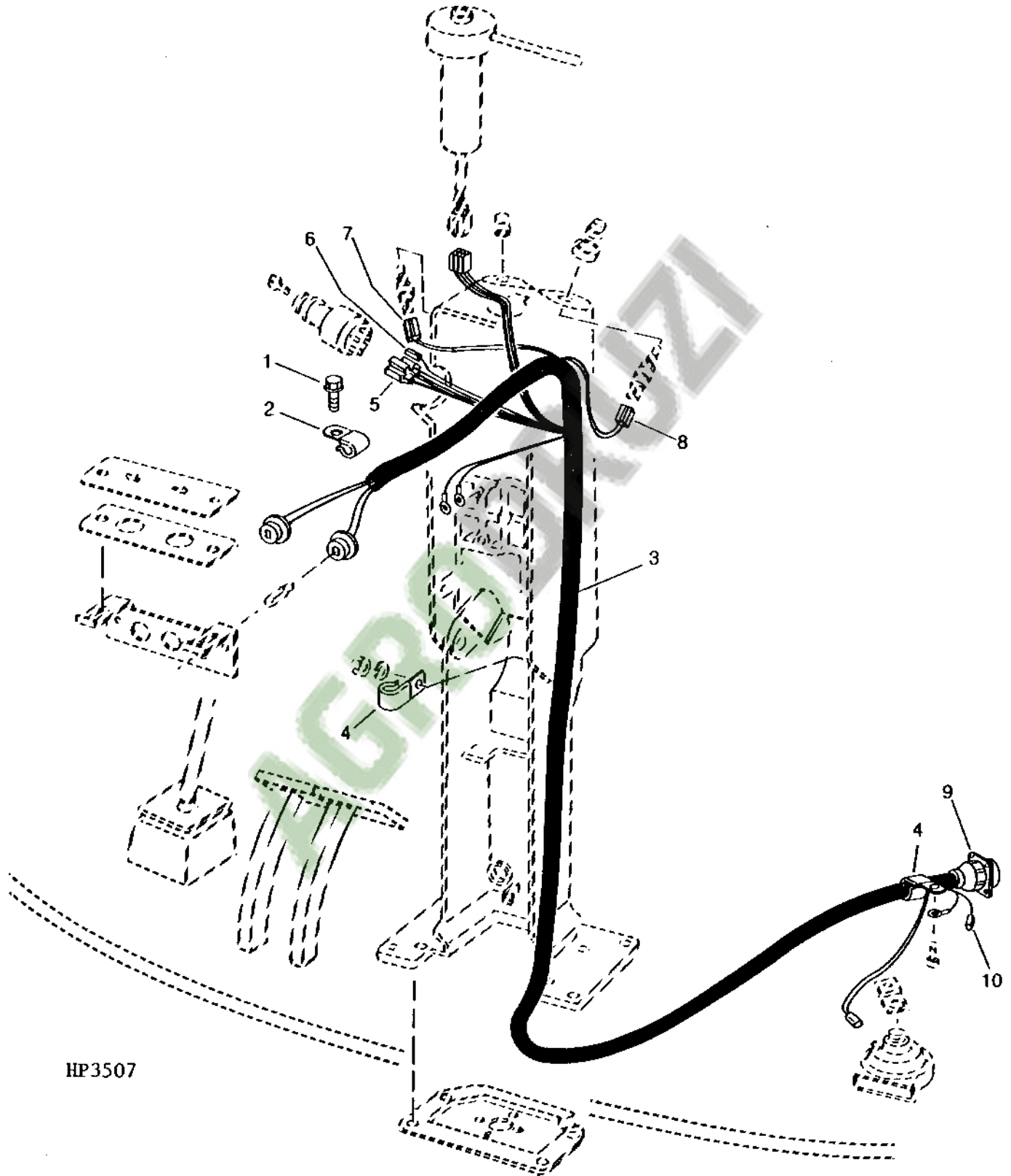
3C21

ELECTRICAL

STEERING COLUMN WIRING HARNESS

(-646236)

HP3507 -UN-01JAN94



HP3507

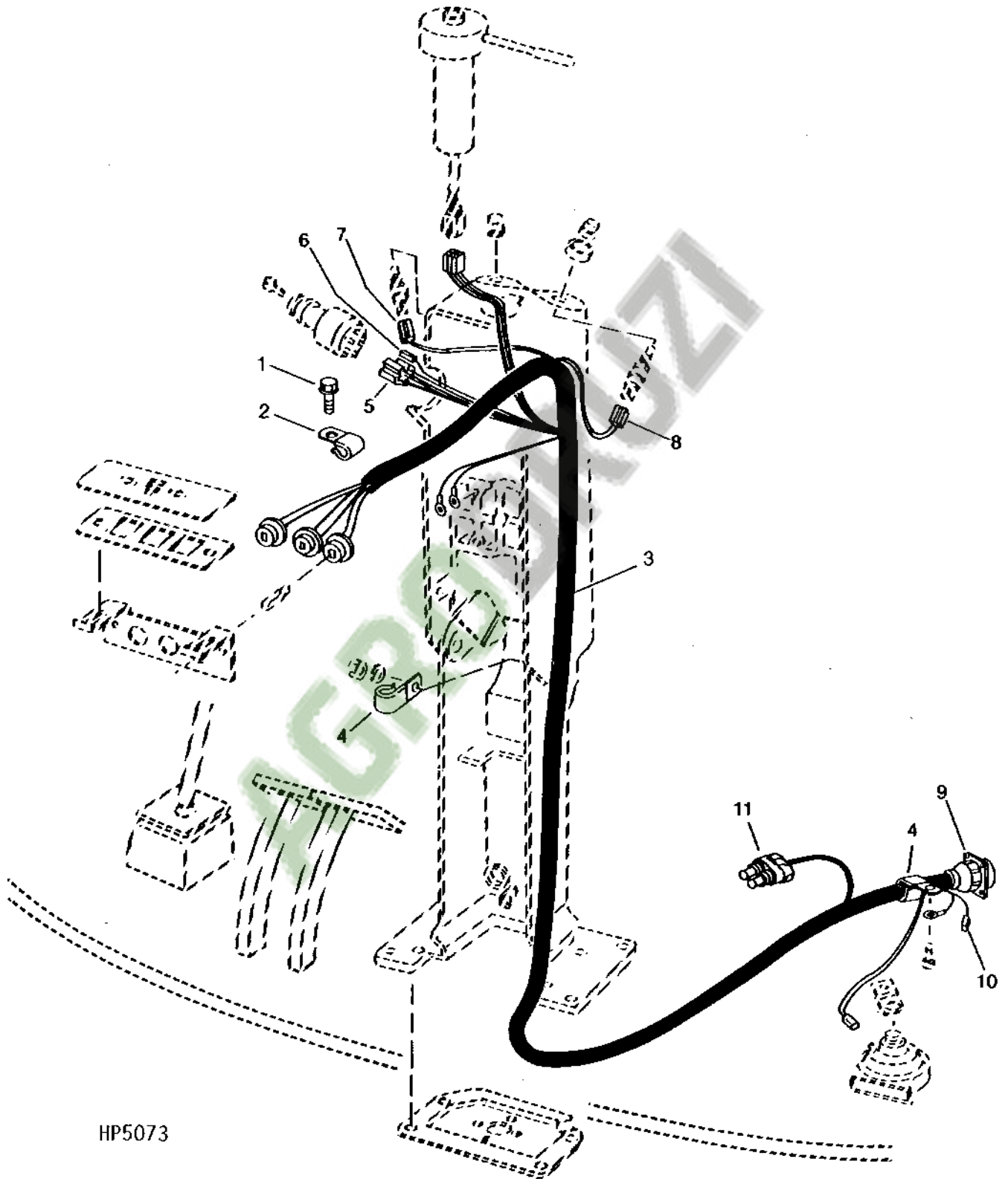
172

3C23

ELECTRICAL

STEERING COLUMN WIRING HARNESS

(646237-)
HP5073 -UN-01JAN94



HP5073

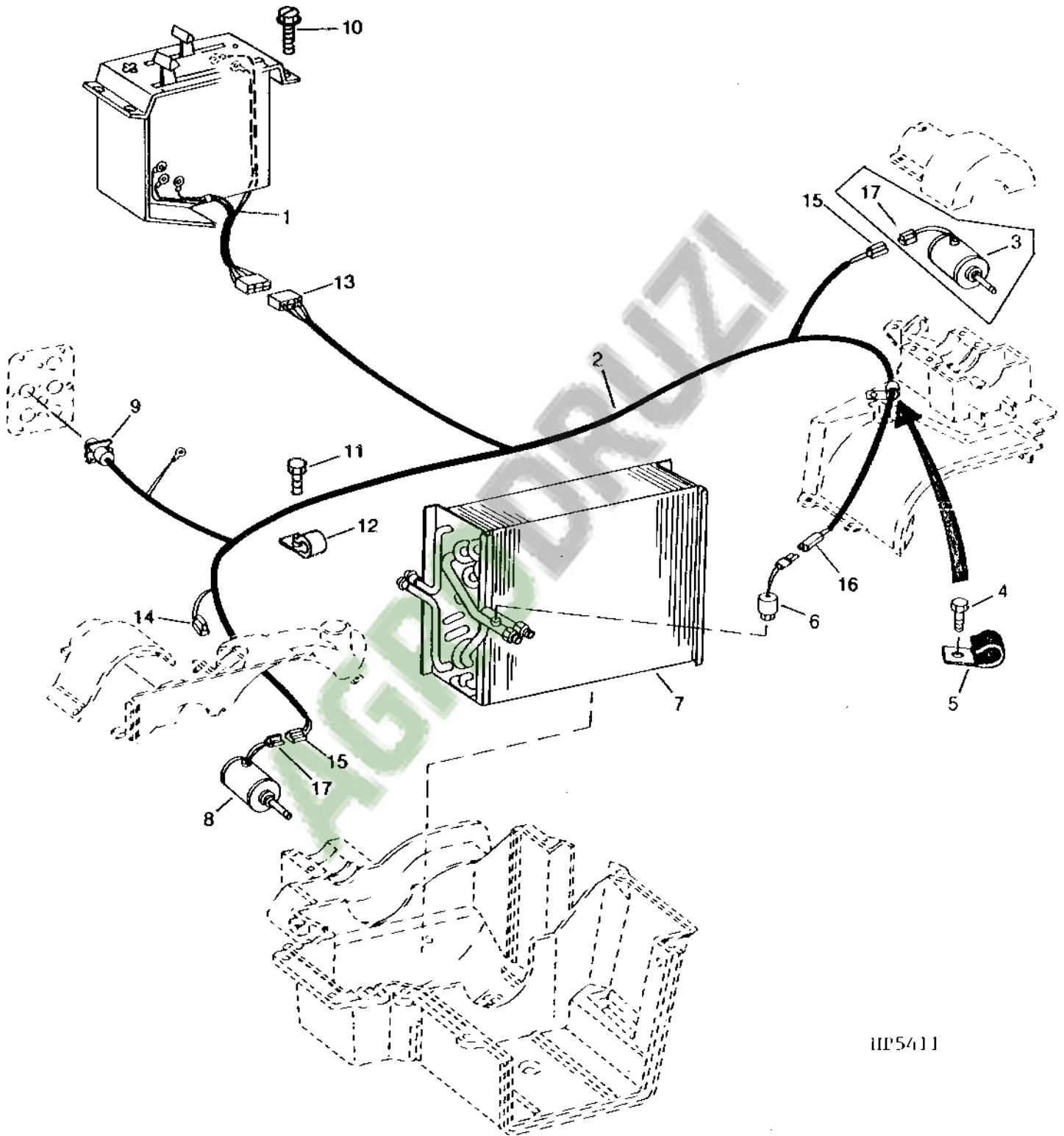
3D1

ELECTRICAL

AIR CONDITIONER AND HEATER WIRING HARNESS

(-660200)

HP5411 -UN-01JAN94

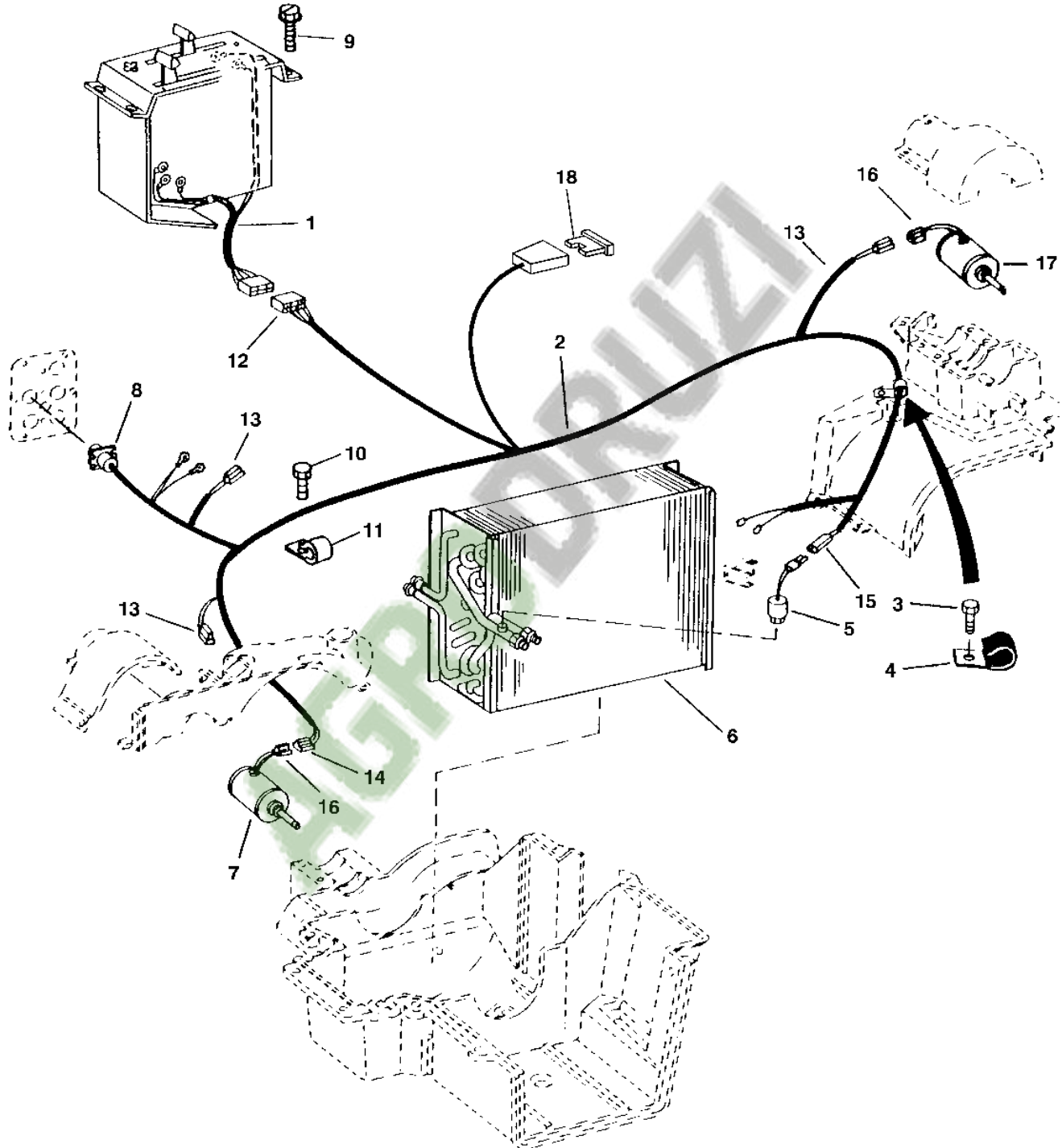


HP5411

3D3

AIR CONDITIONER, HEATER AND AIR SEAT WIRING HARNESS

(660201-)
HP6534 -UN-23AUG96



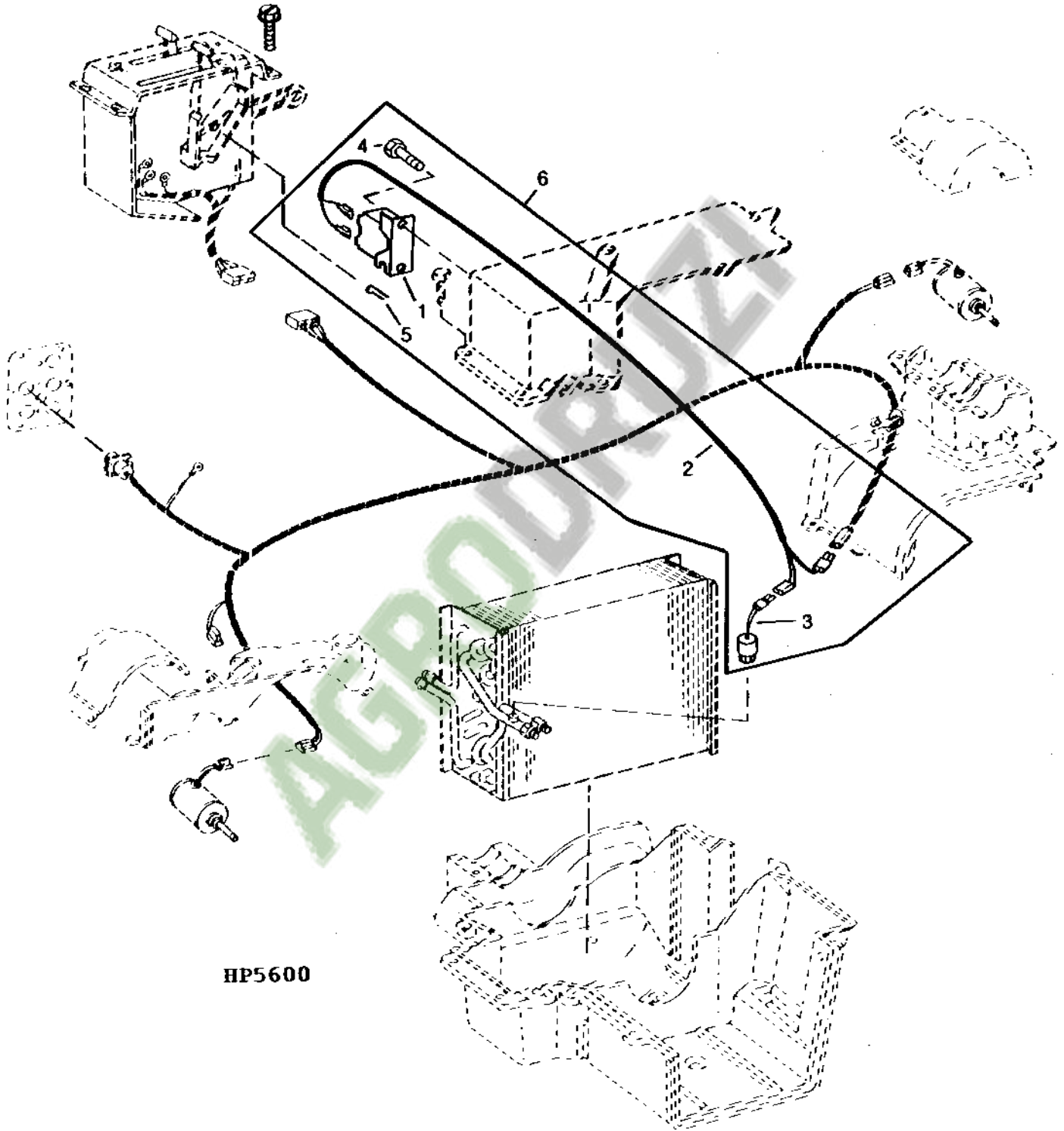
HP6534

AIR CONDITIONER THERMOSTAT KIT

(630201-640200)

HP5600

-UN-01JAN94

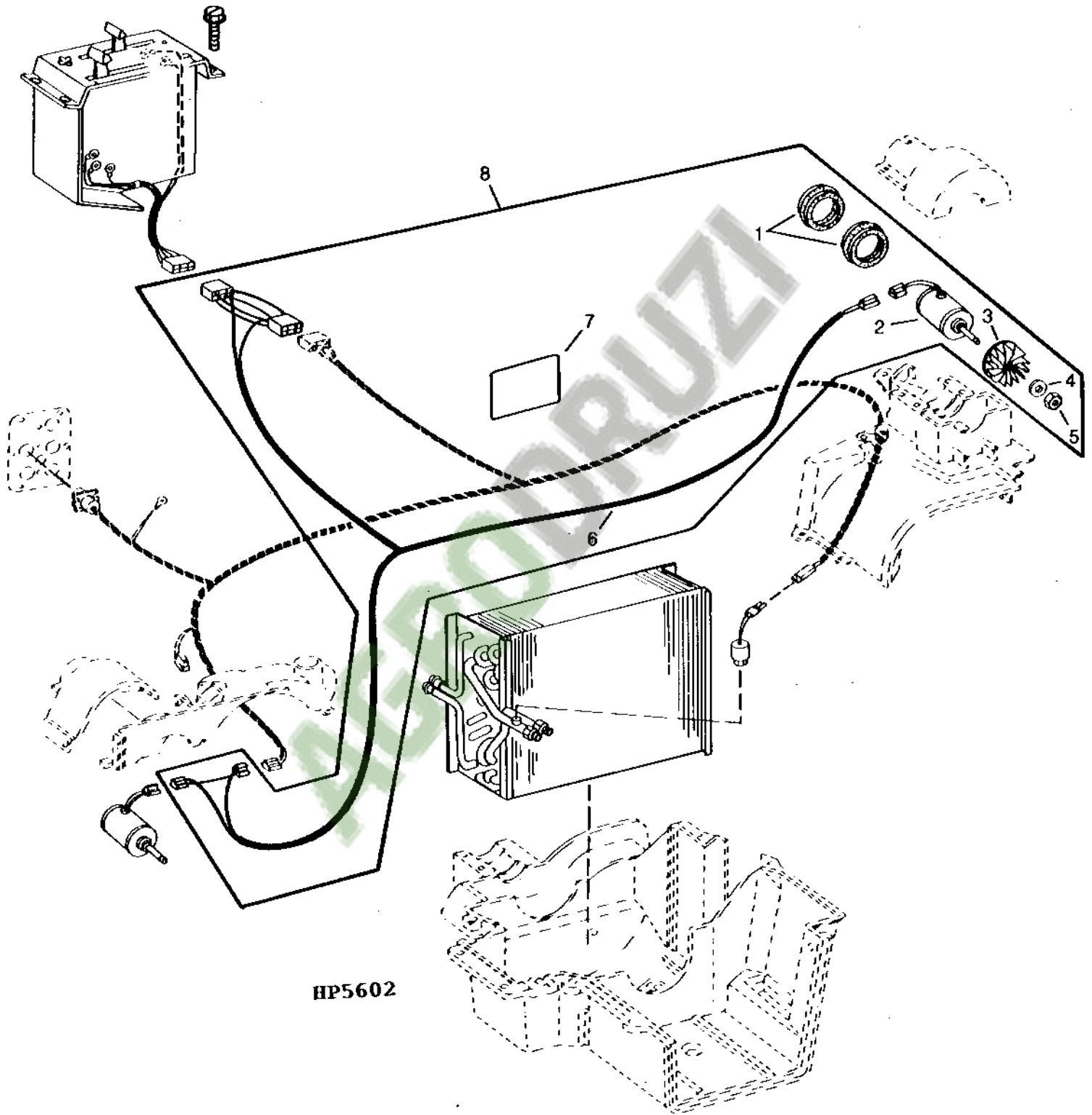


HP5600

AIR CONDITIONER PRESSURIZER FAN KIT

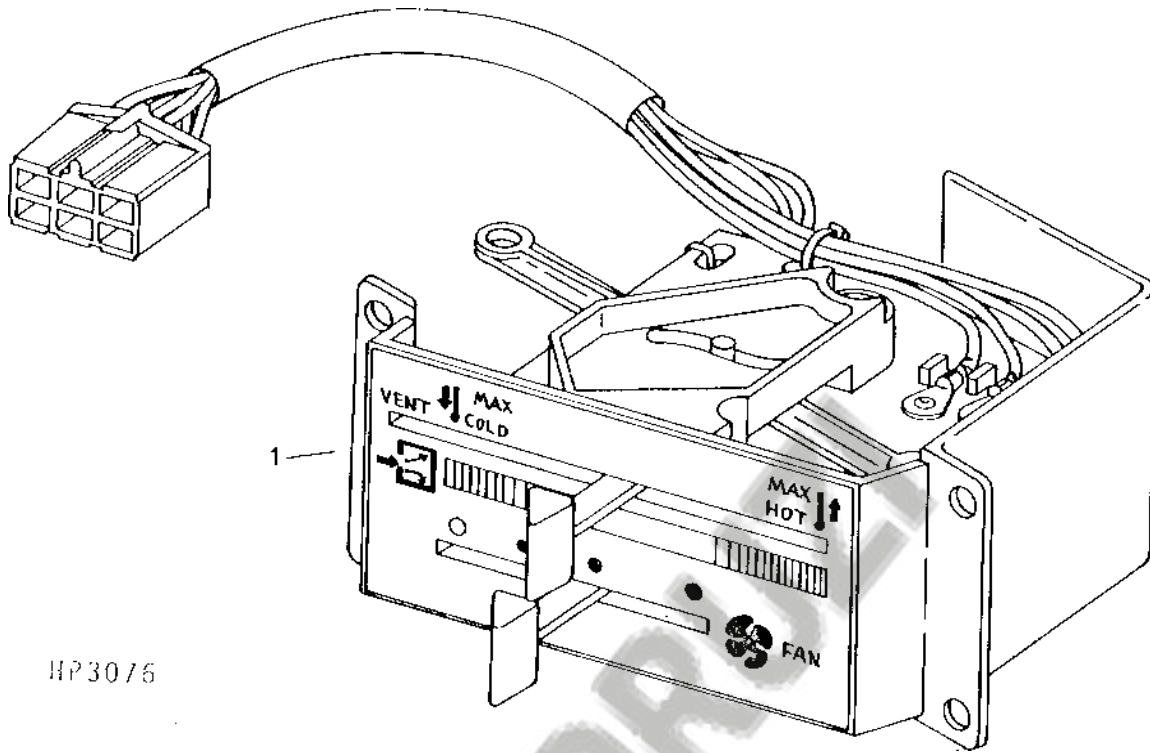
(640201-650200)

HP5602 -UN-01JAN94



HP5602

AIR CONDITIONER AND HEATER SWITCH
 HP3076 -UN-01JAN94



HP3076

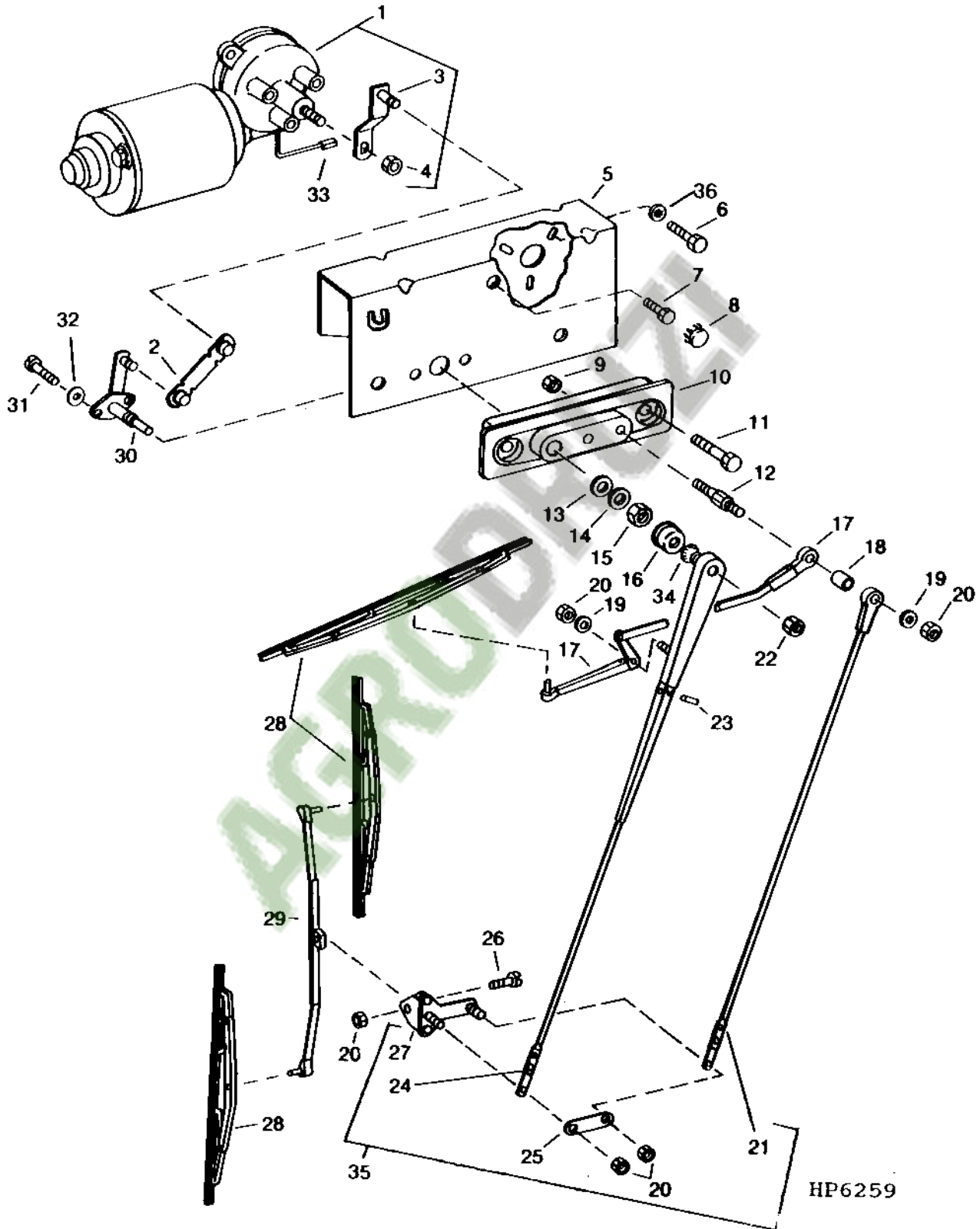
KEY	PART NO.	PART NAME	QTY	SERIAL NO.	REMARKS
1	AH144096	CONTROL	1	S H 9 9 5 5 0 0 0 0	X X (SUB FOR AH118796 OR AH140169)

AGRODR

3D10

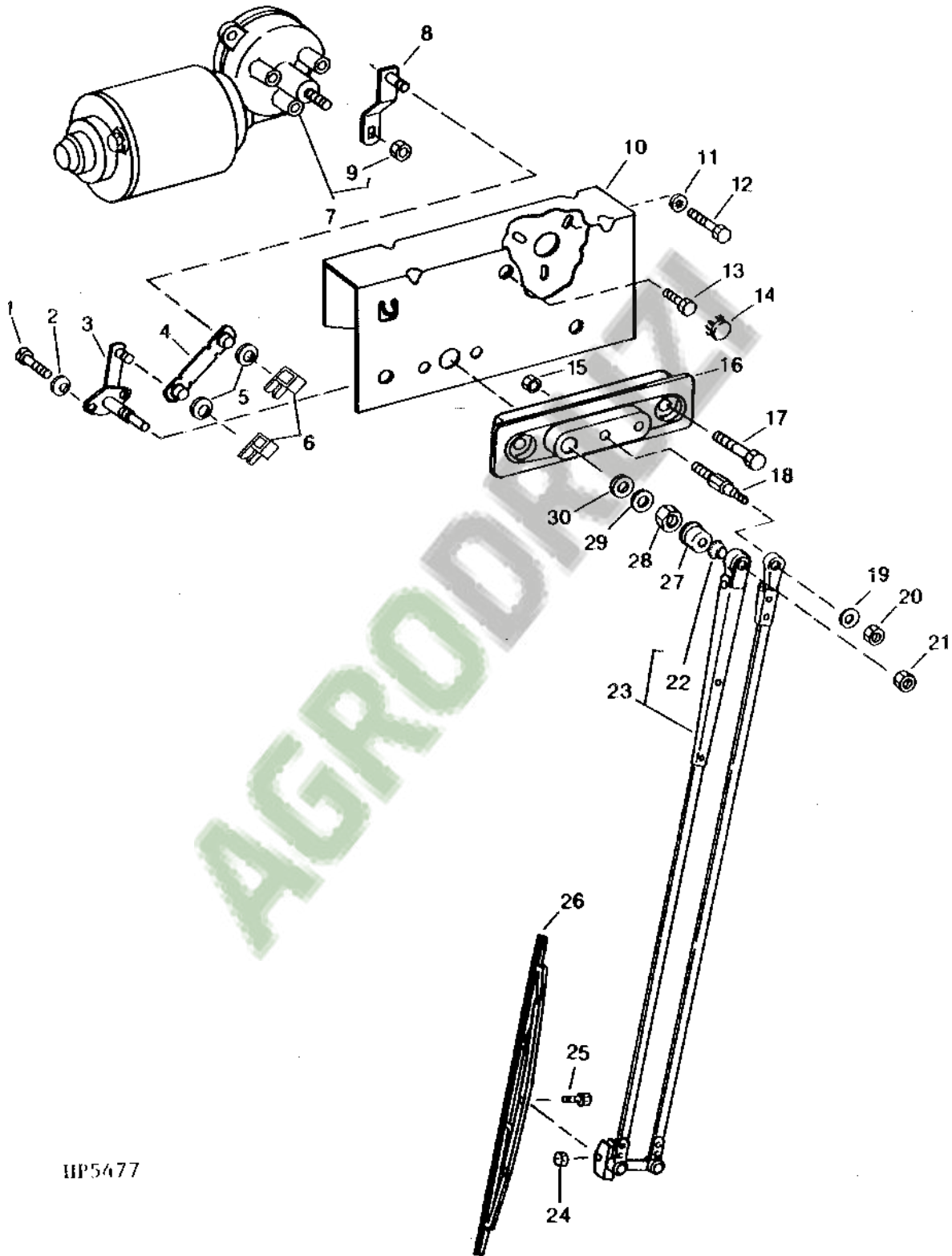
ELECTRICAL

WINDSHIELD WIPER (OPT. LONG)
HP6259 -UN-09JAN96



3D12

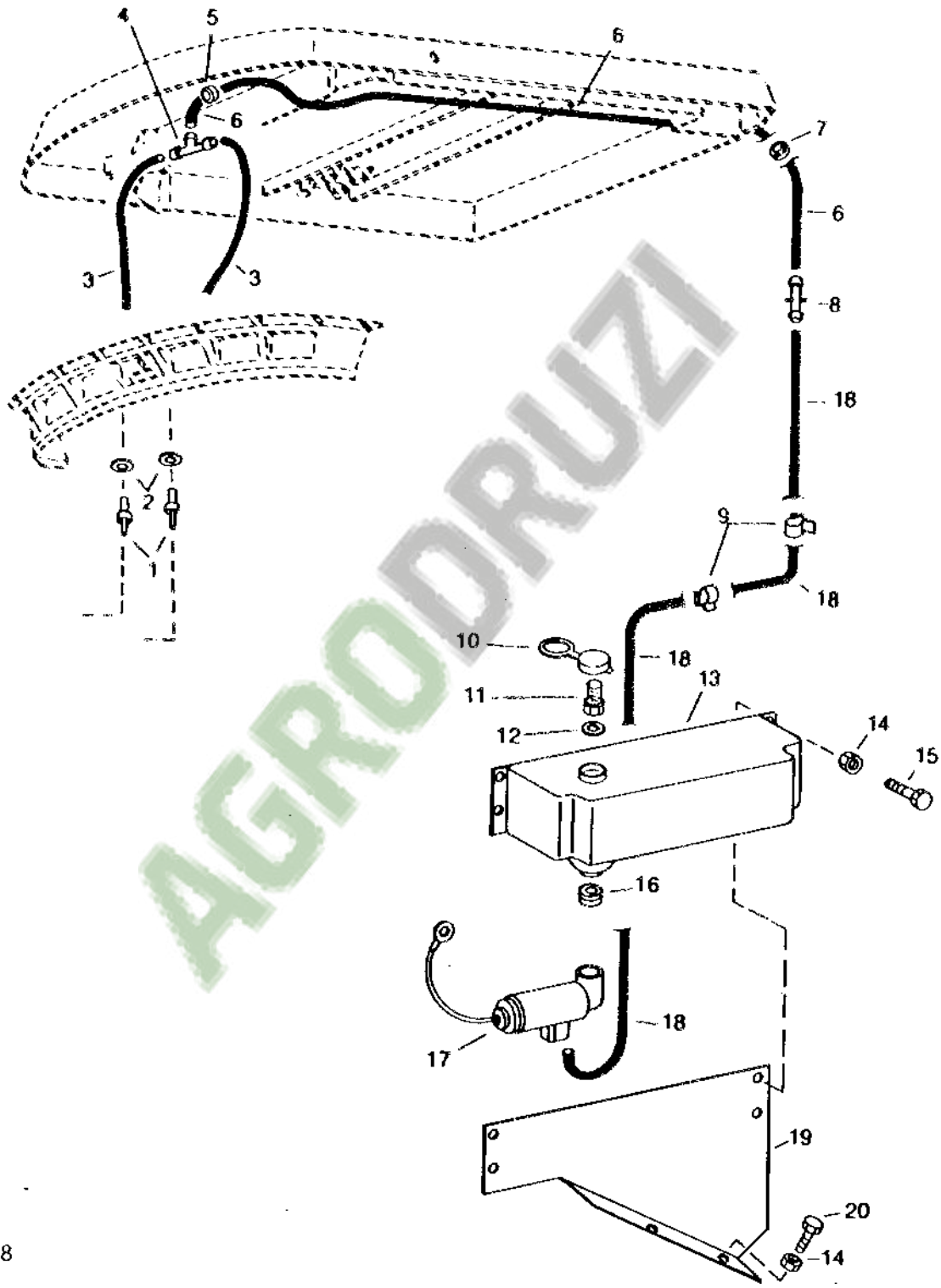
WINDSHIELD WIPER (SHORT)
HP5477 -UN-01JAN94



HP5477

3D14

WINDSHIELD WASHER
HP3768 -UN-01JAN94

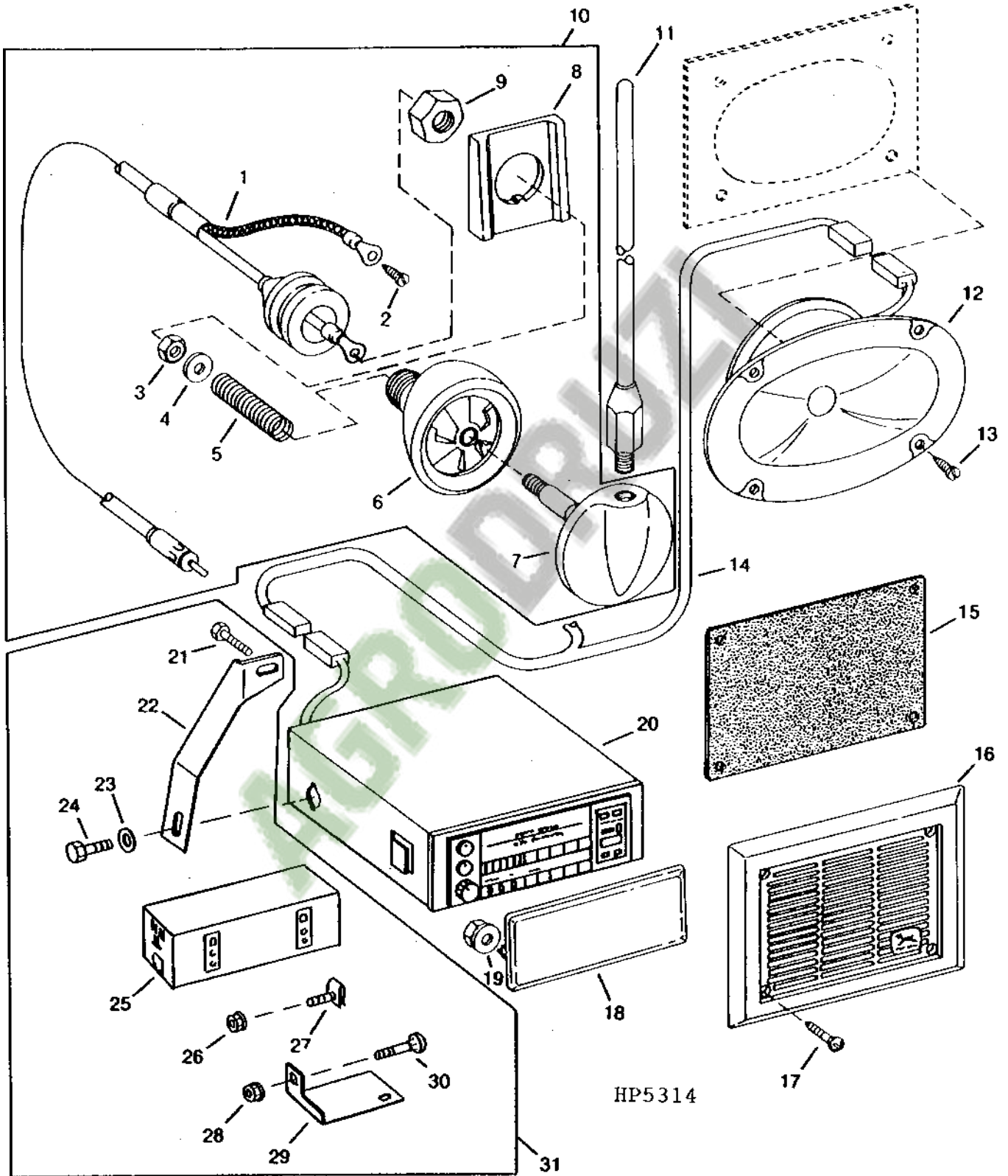


HP3768

3D16

ELECTRICAL

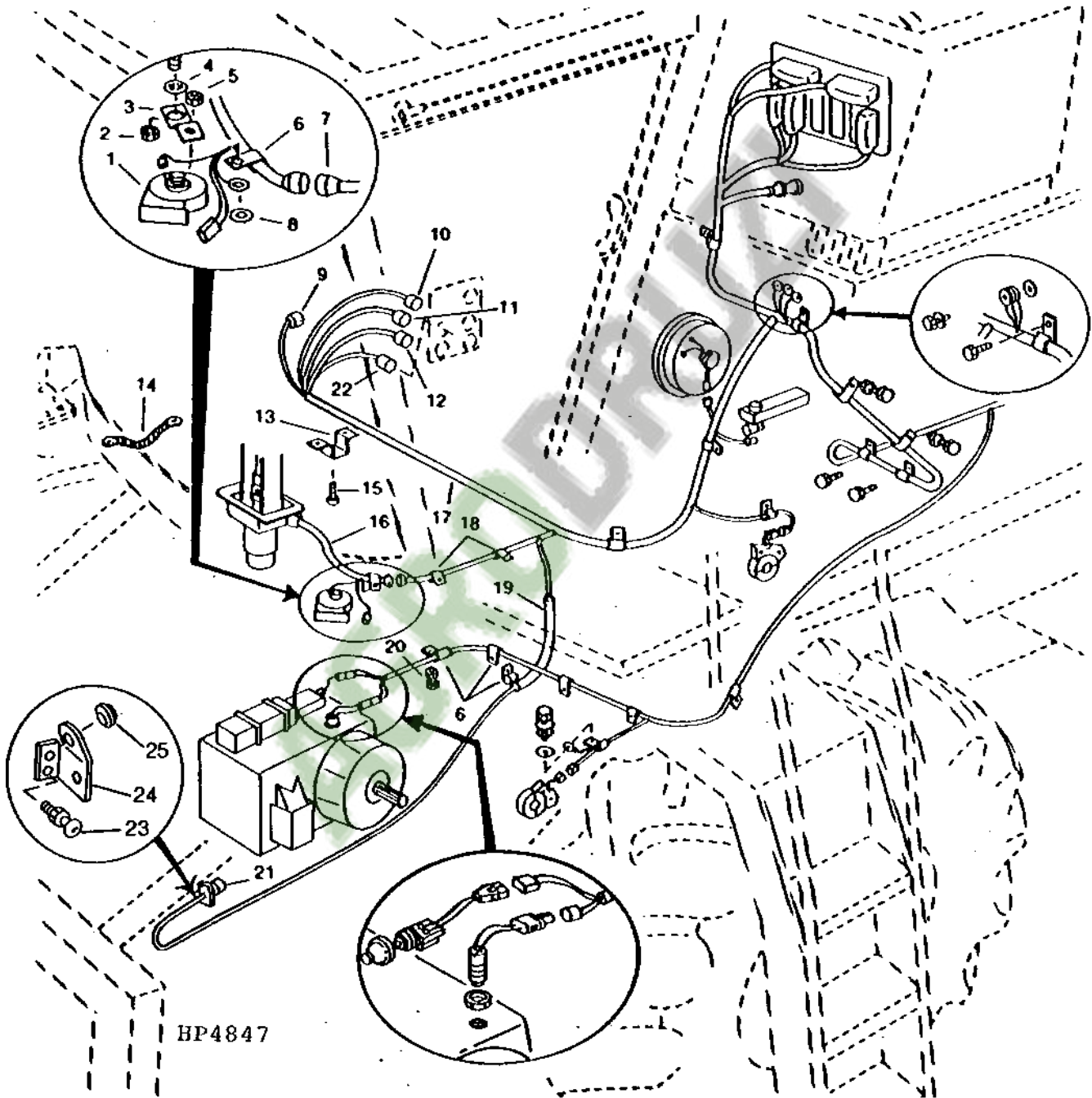
RADIO, SPEAKERS AND ANTENNA (OPTIONAL)
HP5314 -UN-01JAN94



3D18

ELECTRICAL

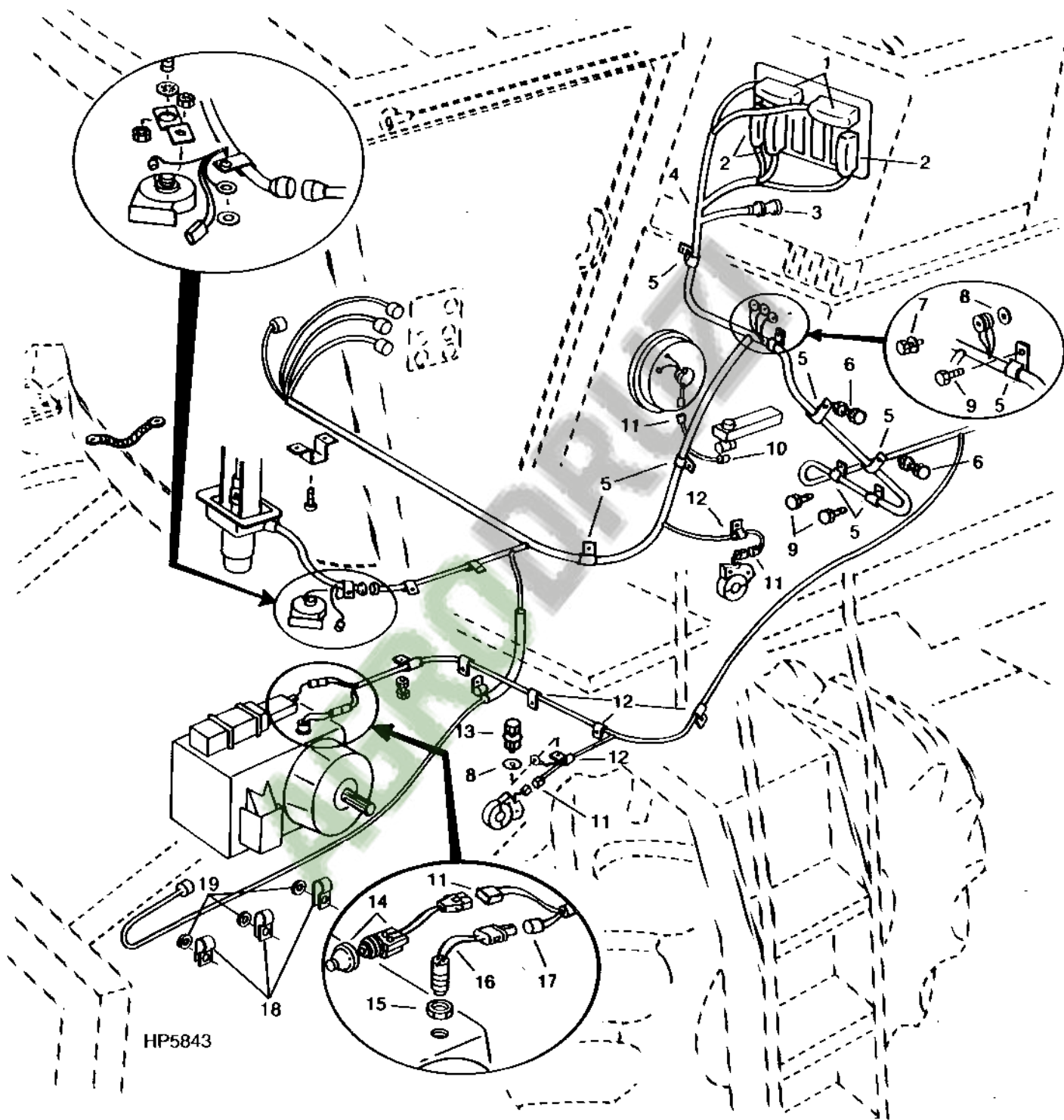
L.H. MAIN WIRING HARNESS, L.H. FRONT
HP4847 -UN-01JAN94



3D20

ELECTRICAL

L.H. MAIN WIRING HARNESS, L.H. FRONT
HP5843 -UN-15OCT94

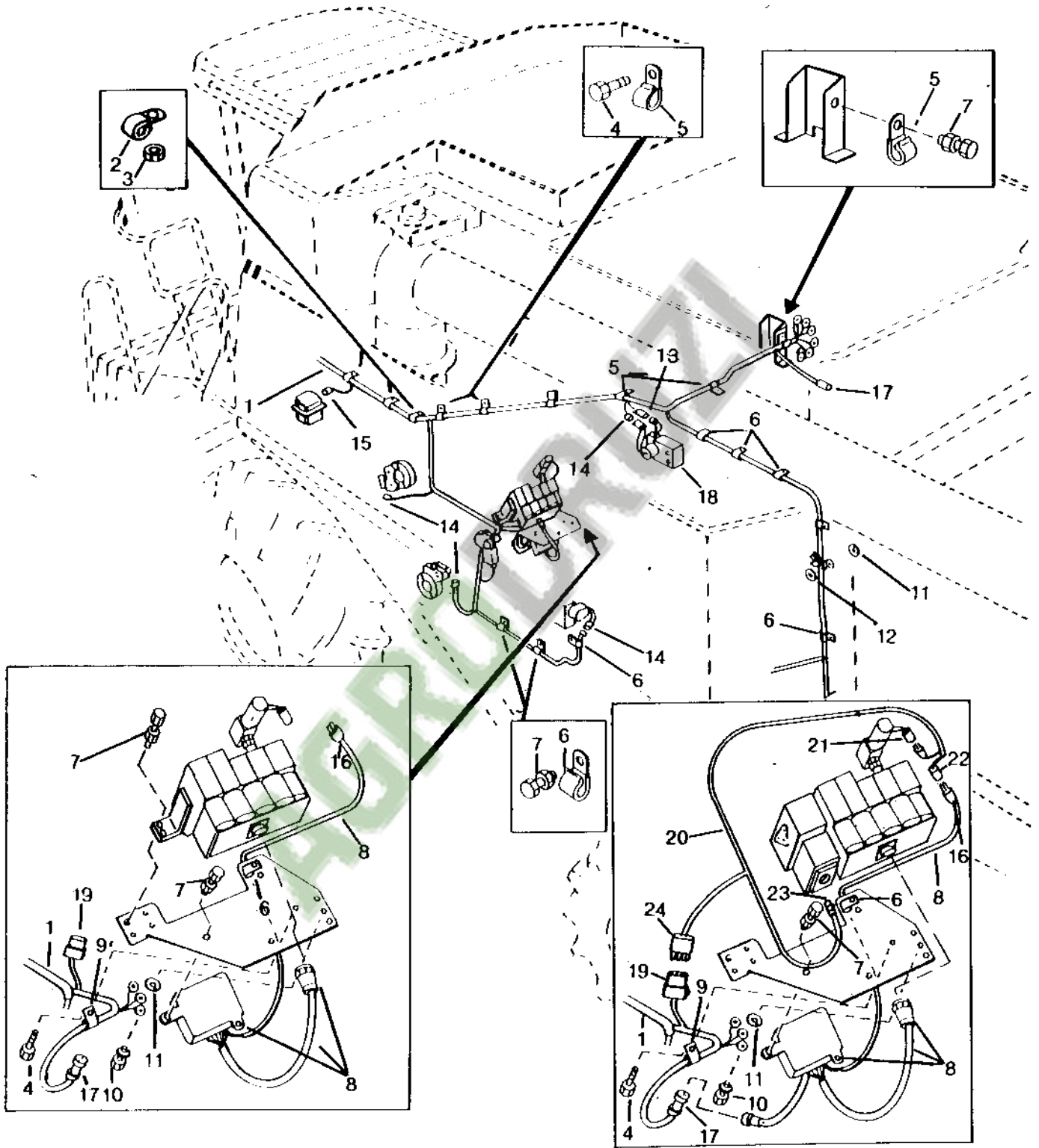


HP5843

3D22

ELECTRICAL

L.H. MAIN WIRING HARNESS, L.H. CENTER
HP5953 -UN-27APR95



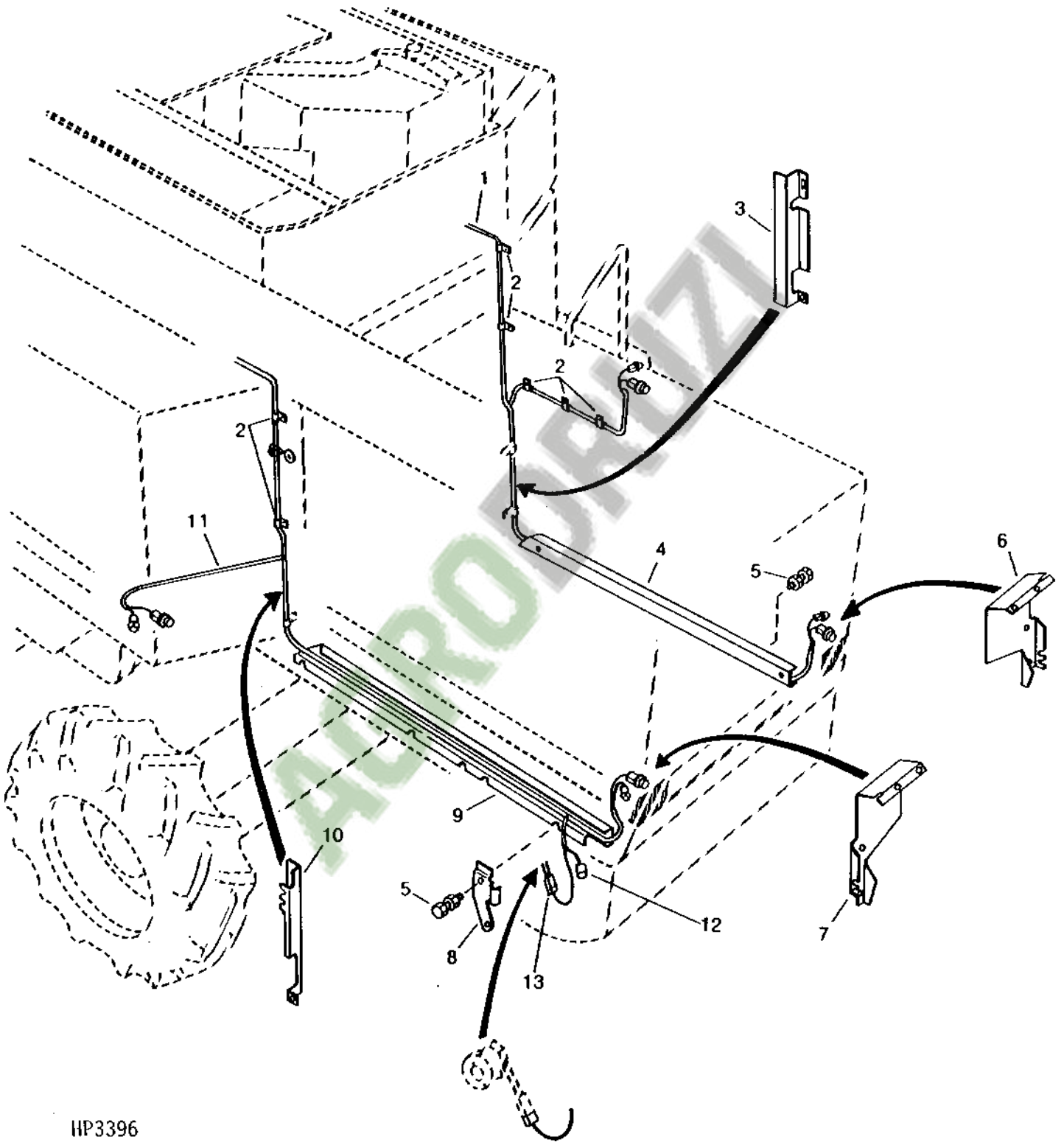
HP5953

185

3D24

ELECTRICAL

L.H. AND R.H. MAIN WIRING HARNESS, L.H. AND R.H. REAR
HP3396 -UN-01JAN94

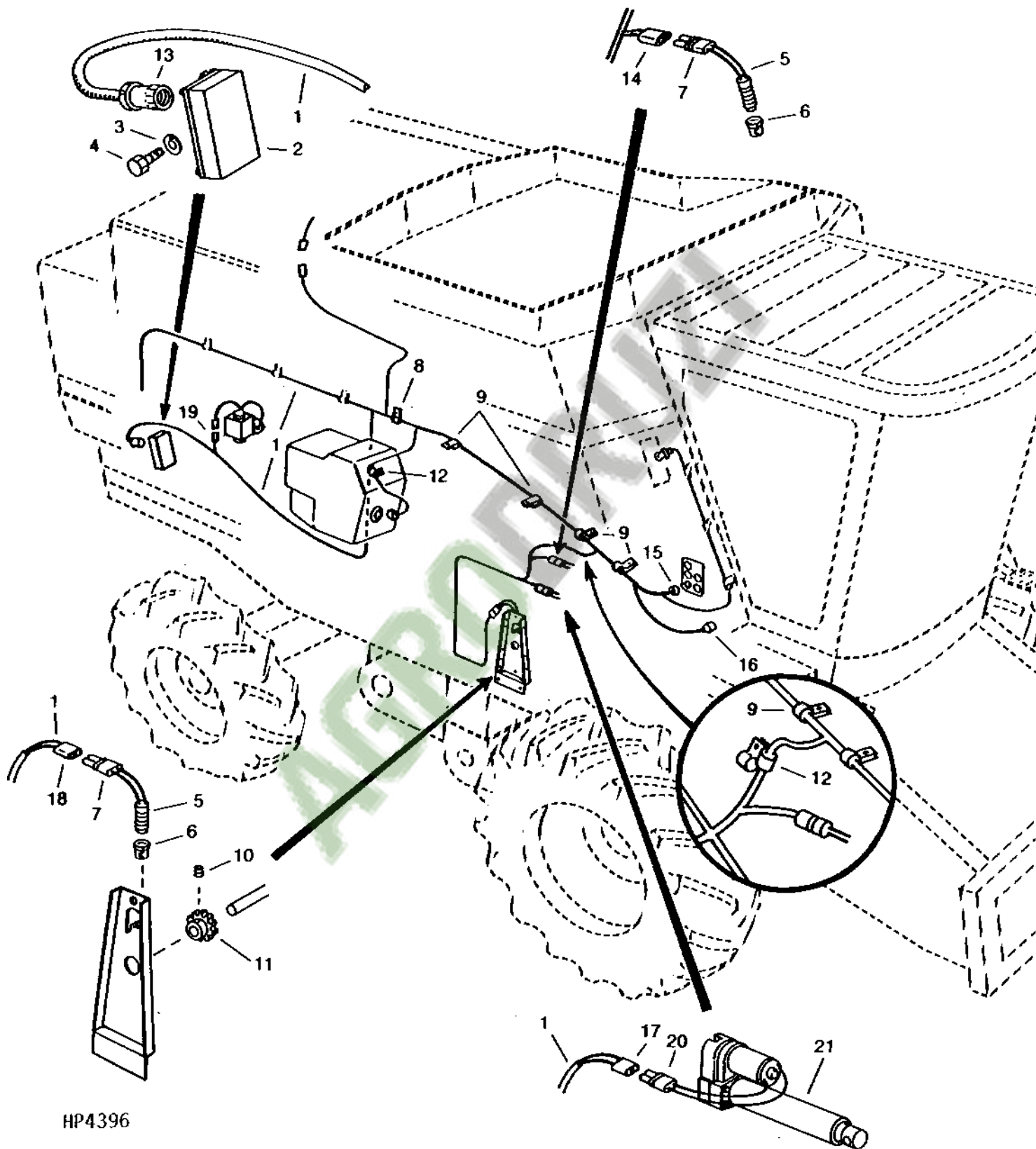


HP3396

3E1

ELECTRICAL

R.H. MAIN WIRING HARNESS
HP4396 -UN-01JAN94

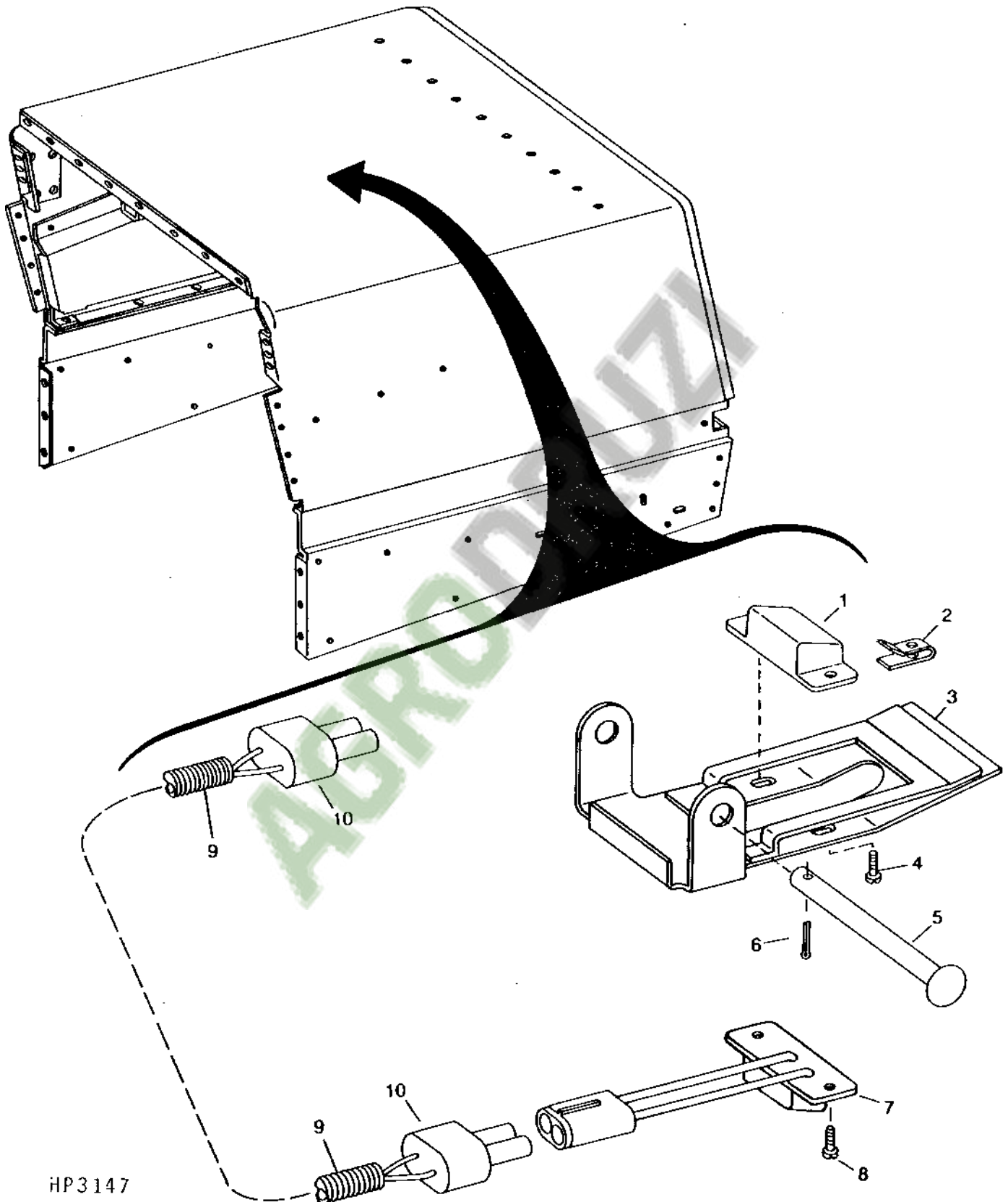


HP4396

187

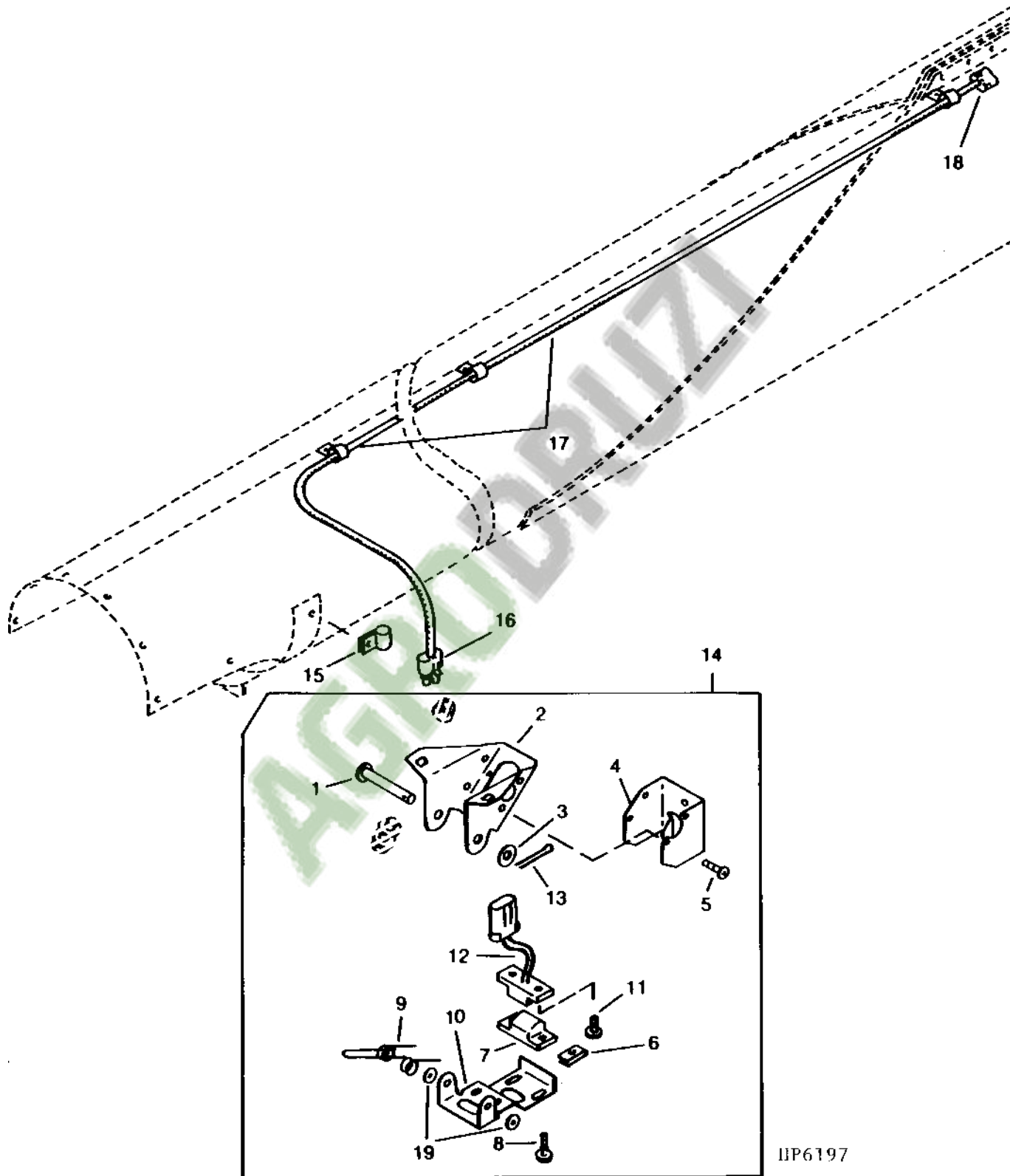
STRAW WALKER (PLUGGING) SENSING SWITCH

HP3147 -UN-01JAN94



UNLOADING AUGER SENSOR AND WIRING HARNESS

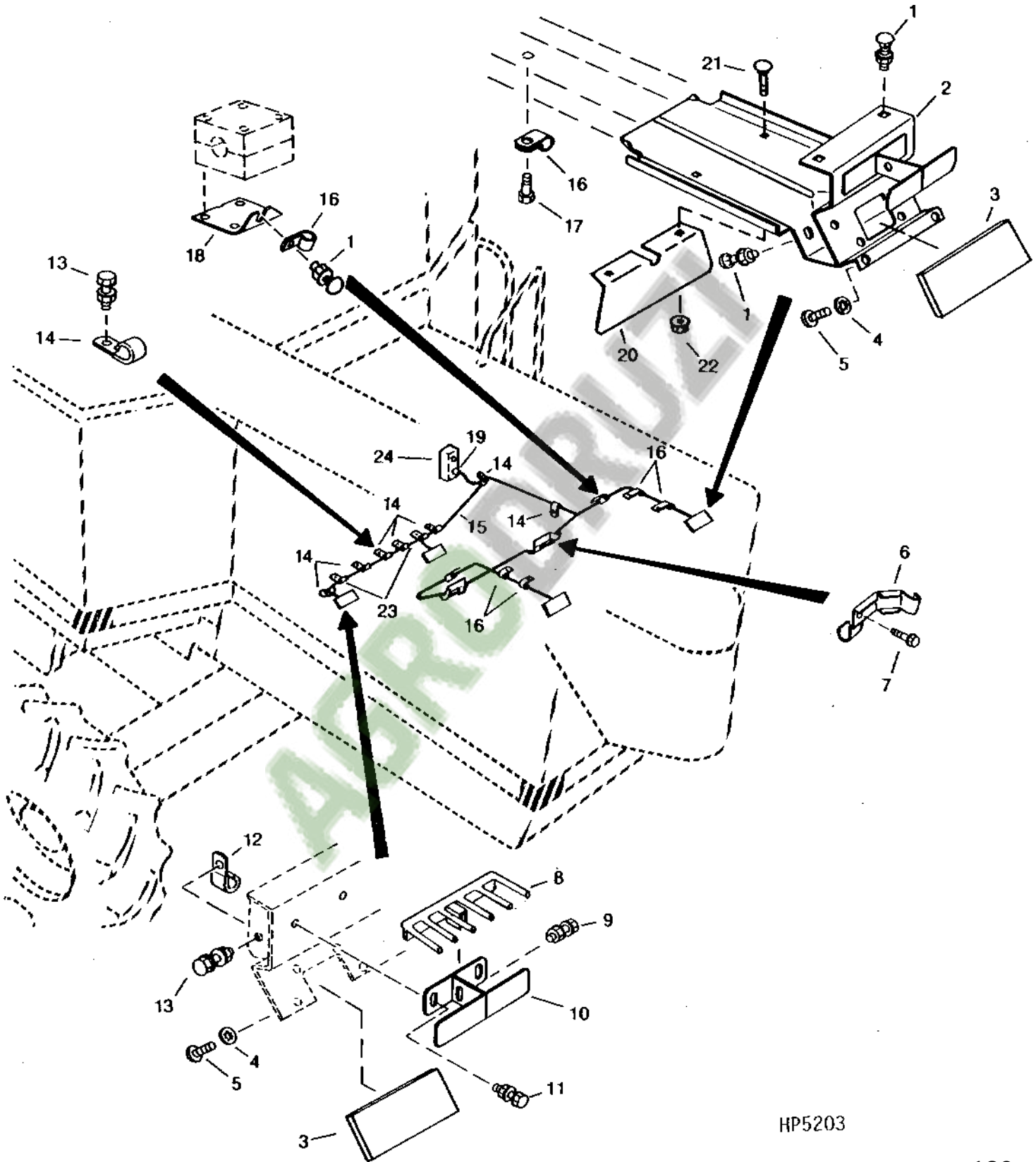
(660201-)
HP6197 -UN-05OCT95



HP6197

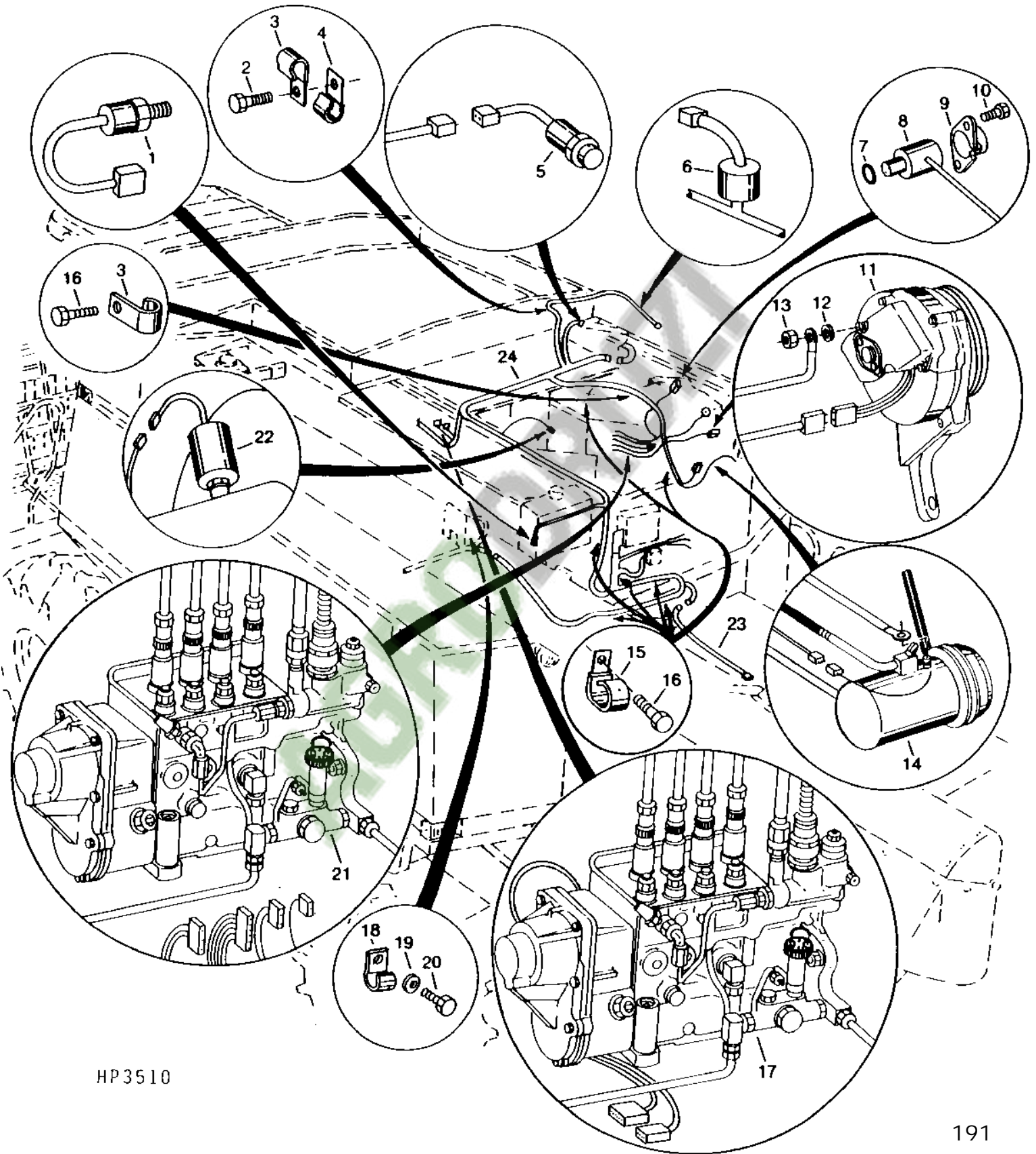
HARVESTRAK MONITOR SYSTEM AND WIRING HARNESS

HP5203 -UN-01JAN94



HP5203

**HARNESS FOR 6076 ENGINE
(UPPER PARTS)**
HP3510 -UN-01JAN94

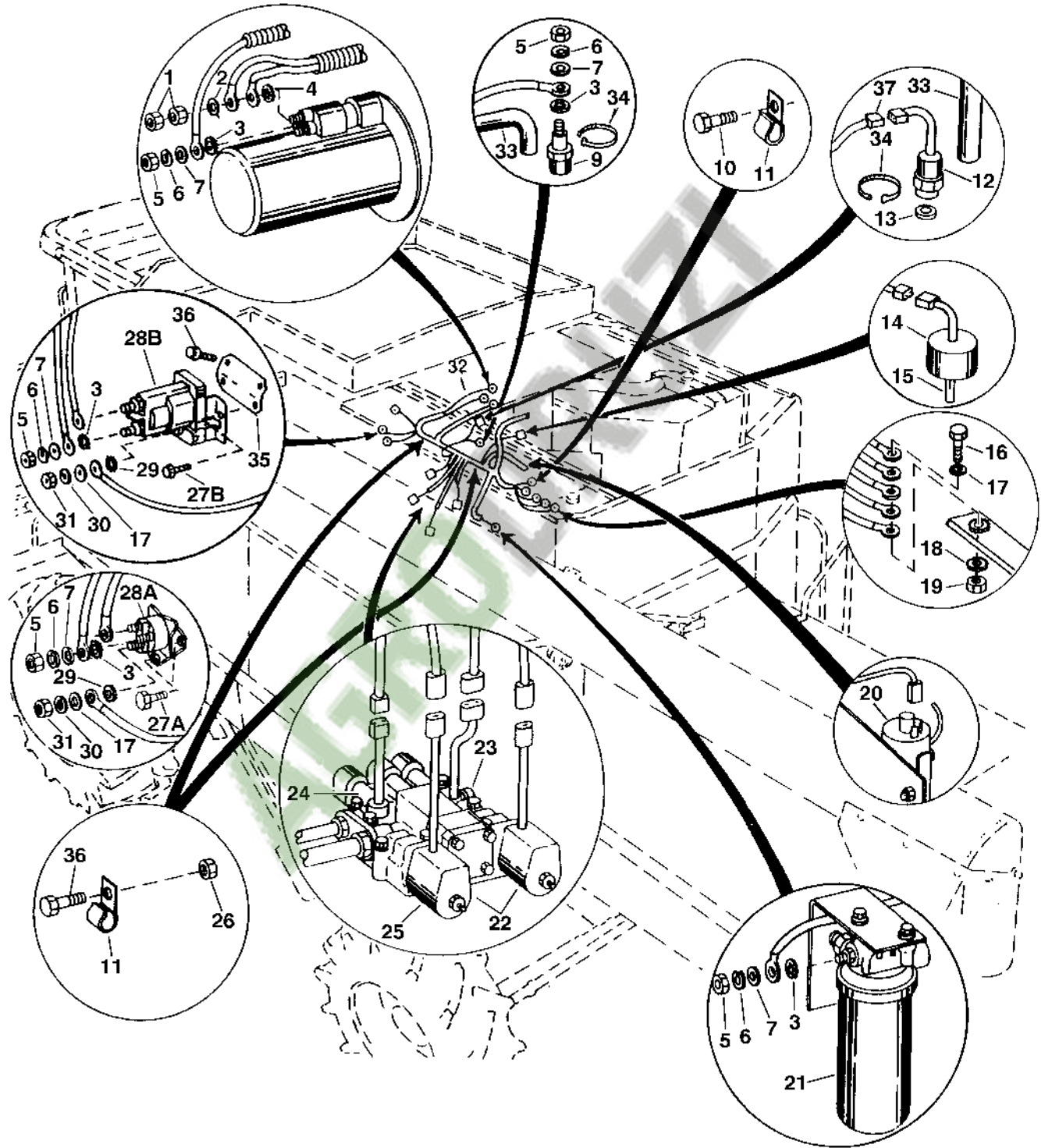


HP3510

191

3E11

HARNESS FOR 6076 ENGINE
(LOWER PARTS)
HP7268 -UN-21JAN98



HP7268

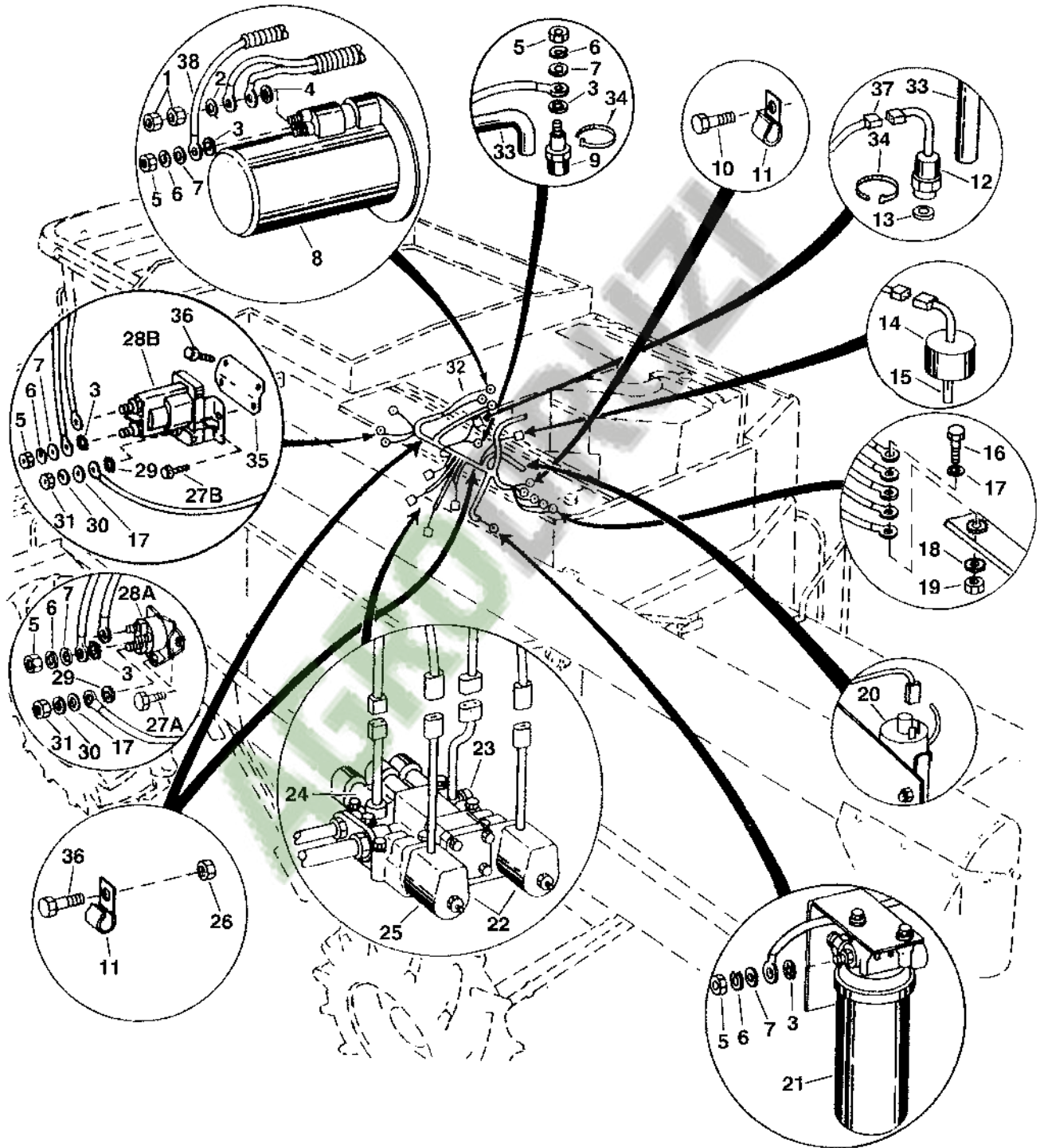
192

3E13

HARNESS FOR 6076 ENGINE - CONTINUED

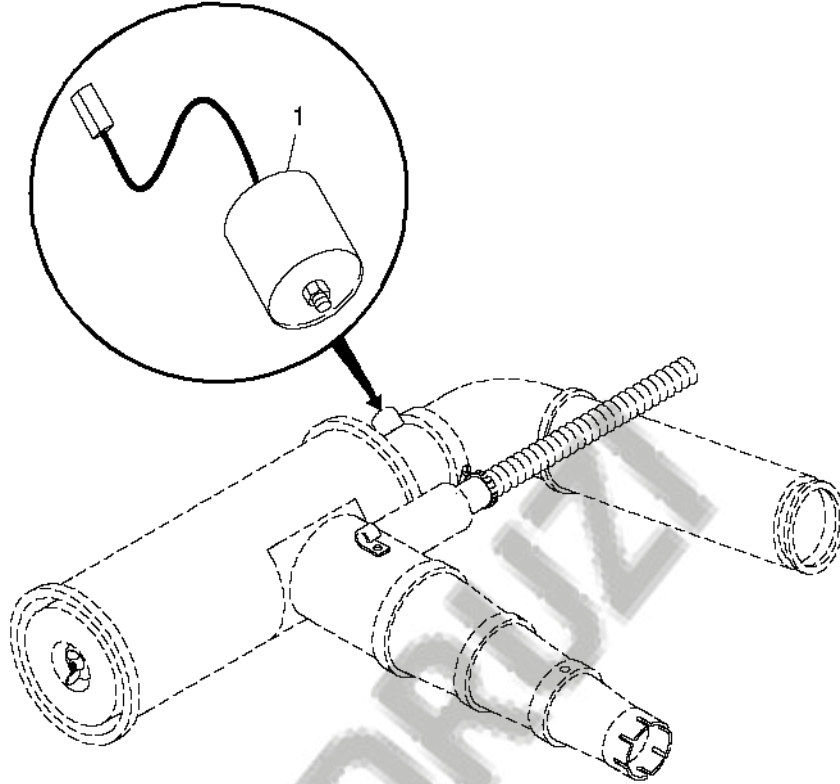
(LOWER PARTS)

HP7594 -UN-27JUL98



HP7594

ENGINE PLUGGED AIR FILTER WARNING SWITCH
 HP9338 -UN-19NOV99



HP9338

KEY	PART NO.	PART NAME	QTY	SERIAL NO.	REMARKS
1	AH113292	SWITCH	1	SH9500	

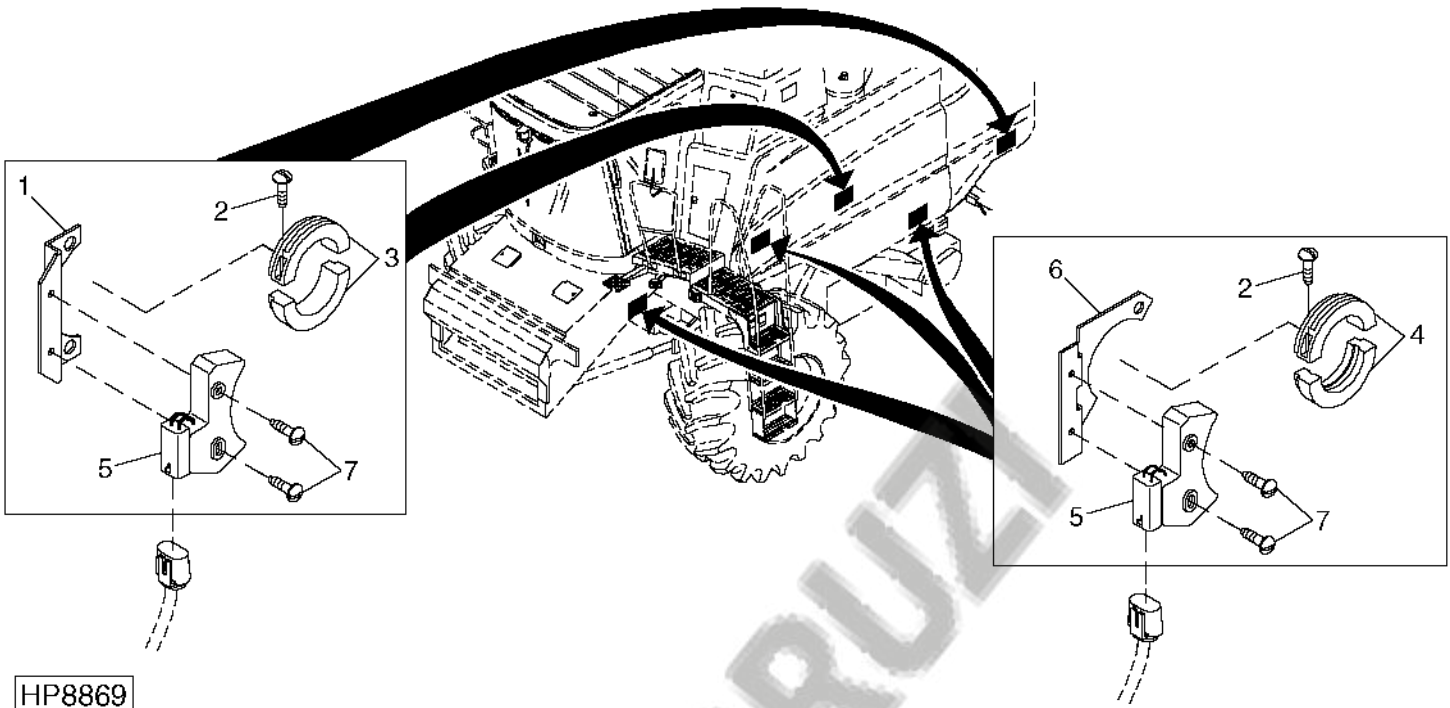
AGRODRIVE

3E16

ELECTRICAL

LOW SHAFT SPEED SENSORS AND BRACKETS

HP8869 -UN-28JUL99



HP8869

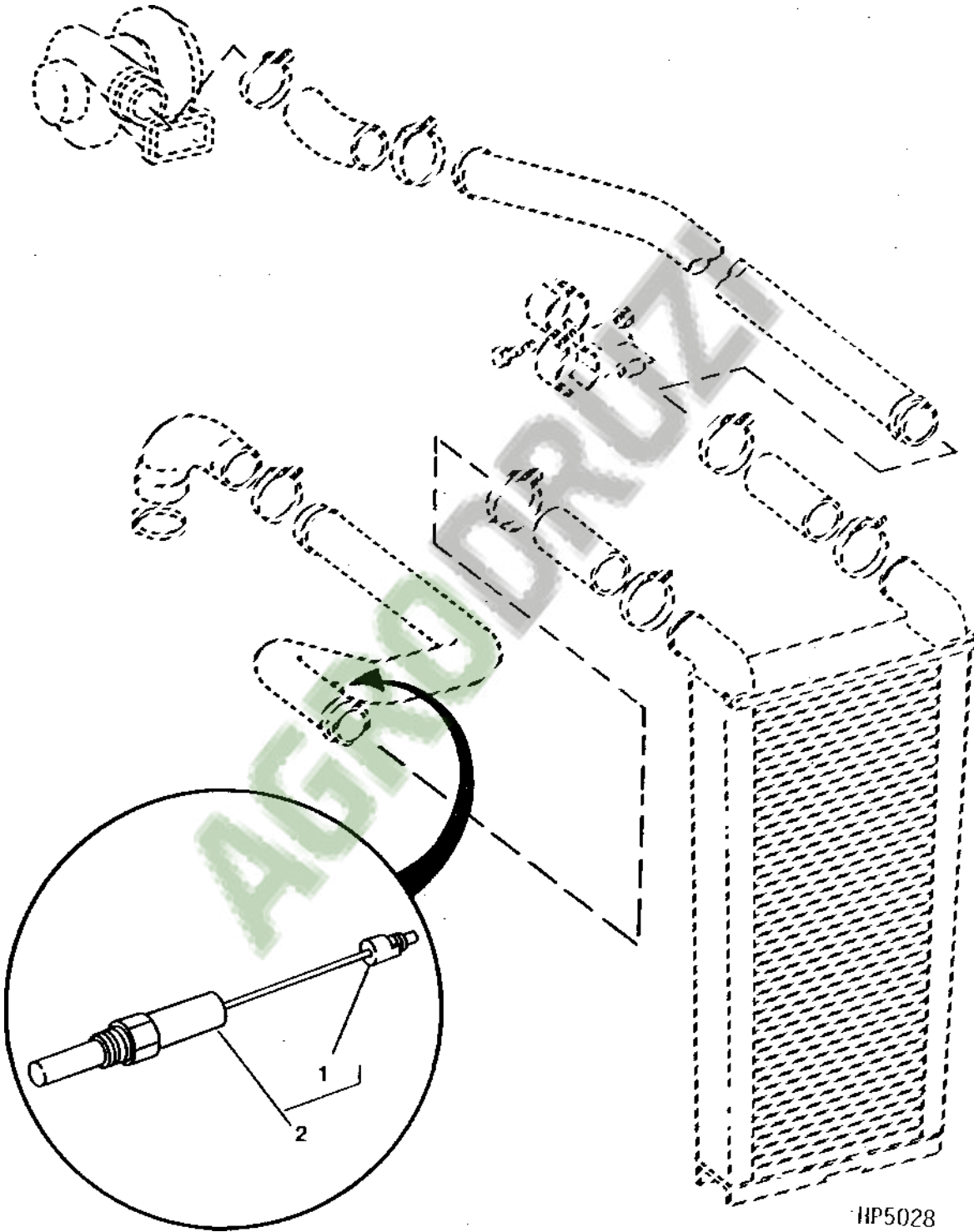
KEY	PART NO.	PART NAME	QTY	SERIAL NO.	REMARKS
				S	
				H	
				9	
				5	
				0	
				0	

AGRODRUŽ

3E17

ELECTRICAL

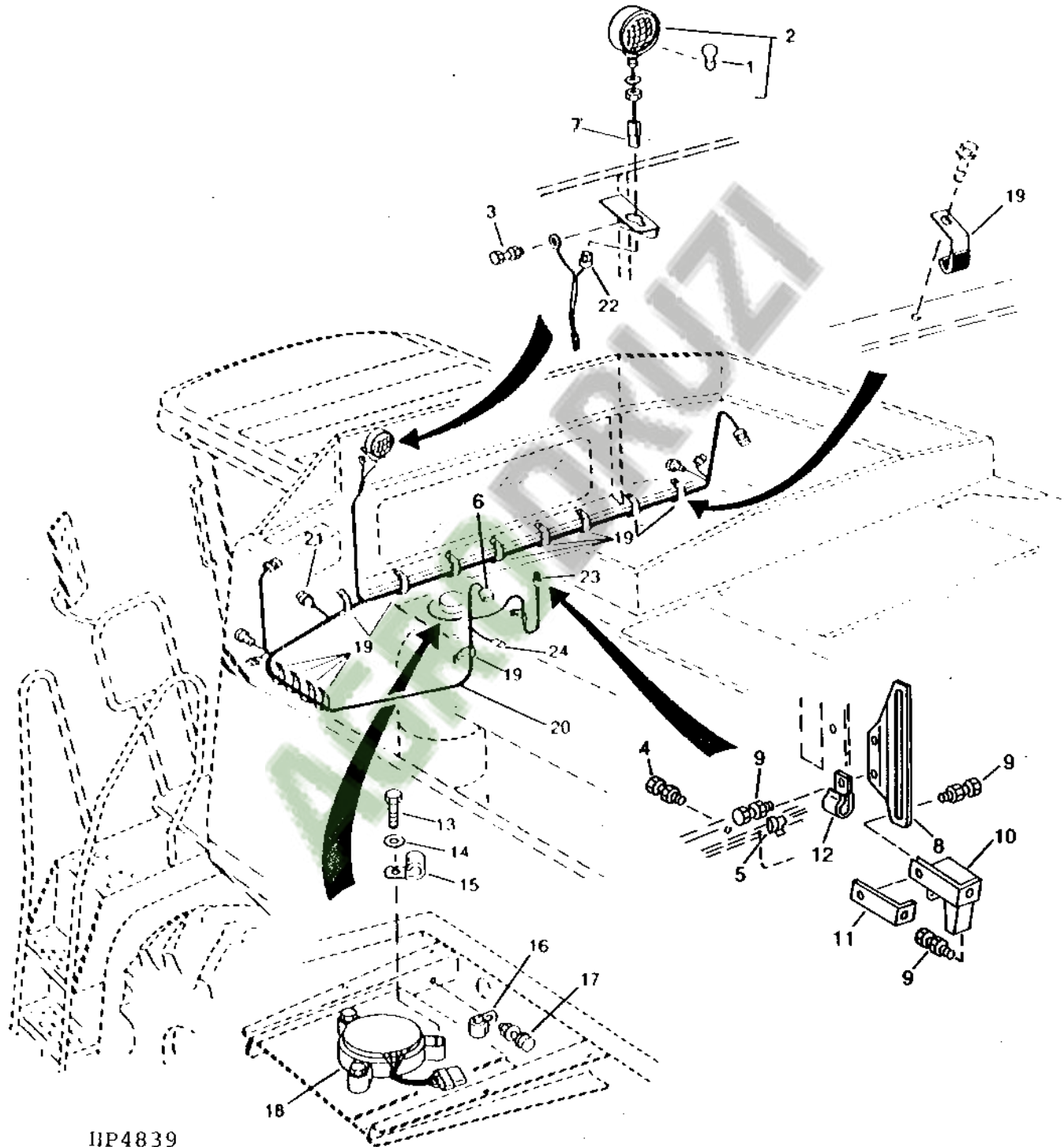
INLET AIR TEMPERATURE SWITCH
HP5028 -UN-01JAN94



3E19

ELECTRICAL

GRAIN TANK WIRING HARNESS, LIGHT, LIMIT SWITCH AND LEVEL MONITOR
HP4839 -UN-01JAN94



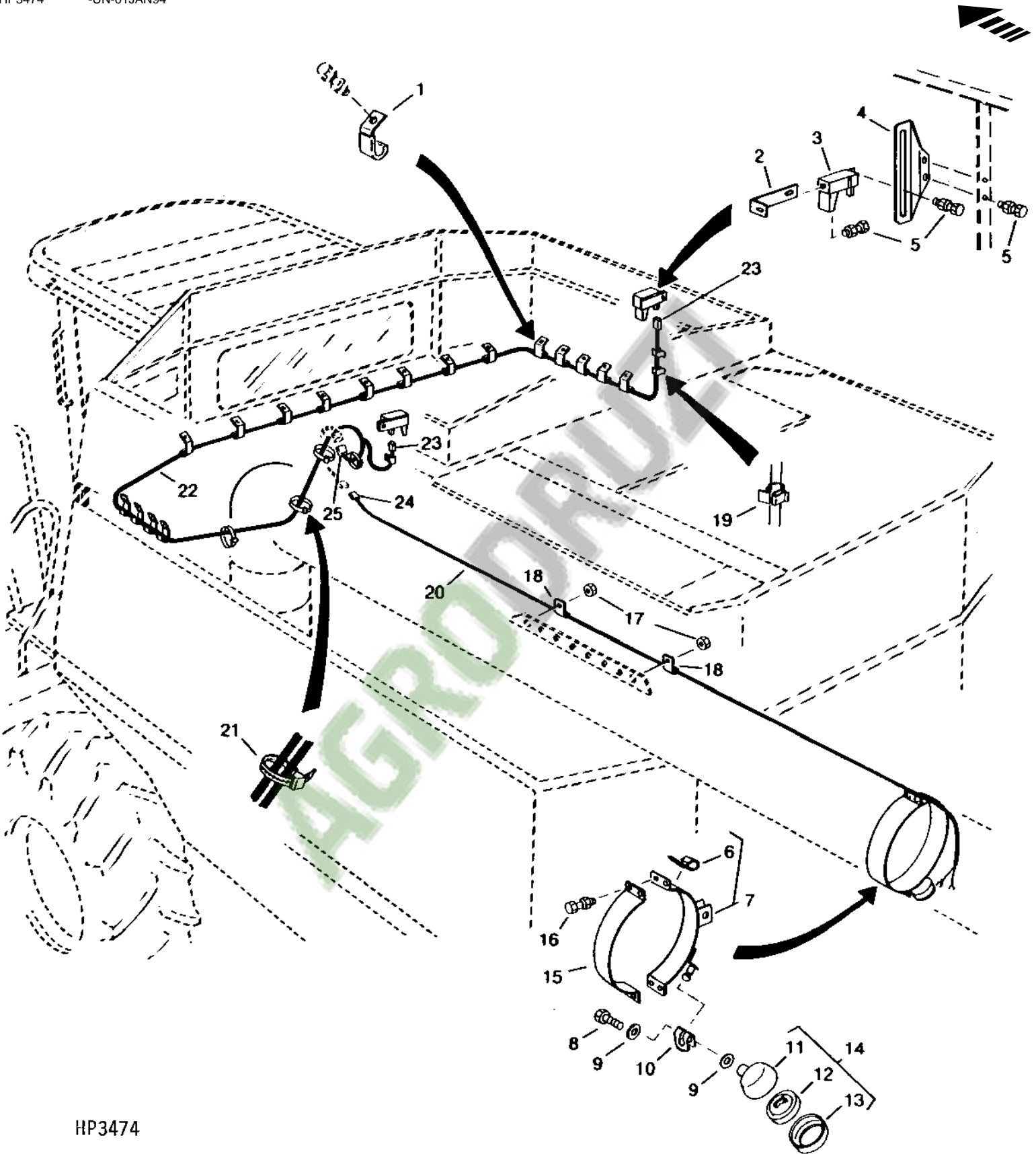
HP4839

3E21

ELECTRICAL

GRAIN TANK DUAL LEVEL MONITOR HARNESS AND UNLOADING AUGER LIGHT

HP3474 -UN-01JAN94



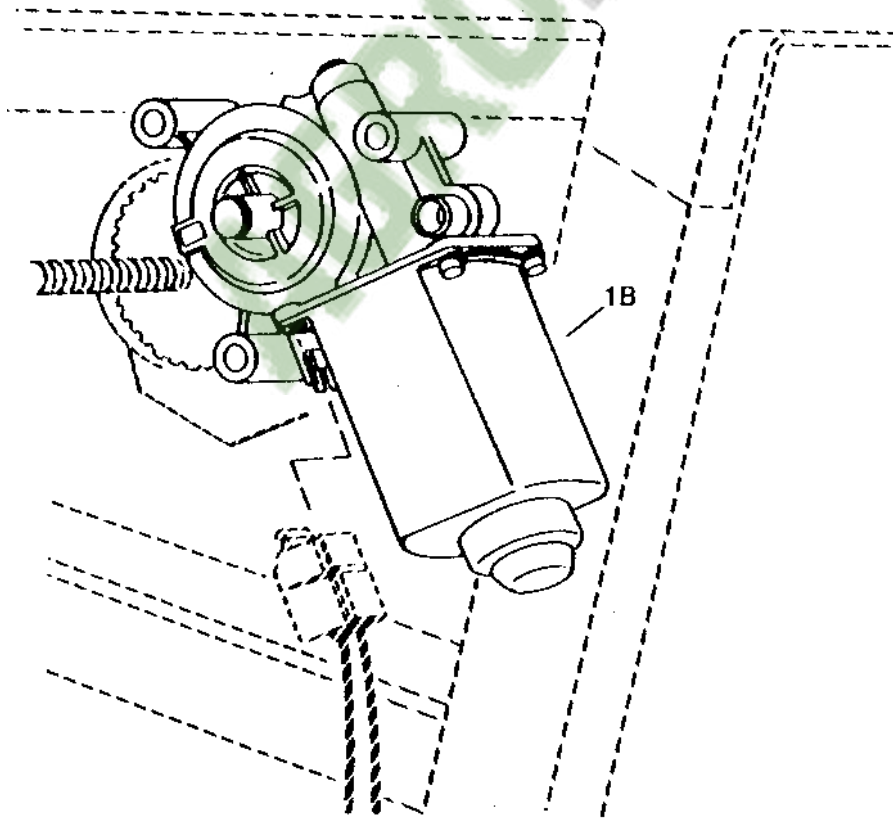
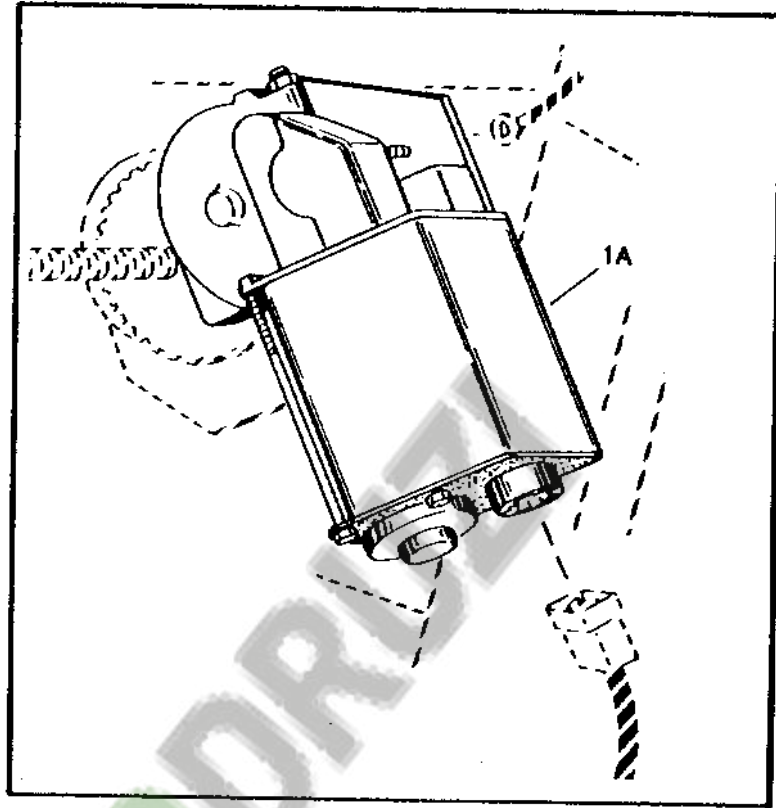
HP3474

198

3E23

ELECTRICAL

SEPARATOR FAN DRIVE ADJUSTING MOTOR
HP5763 -UN-01JAN94

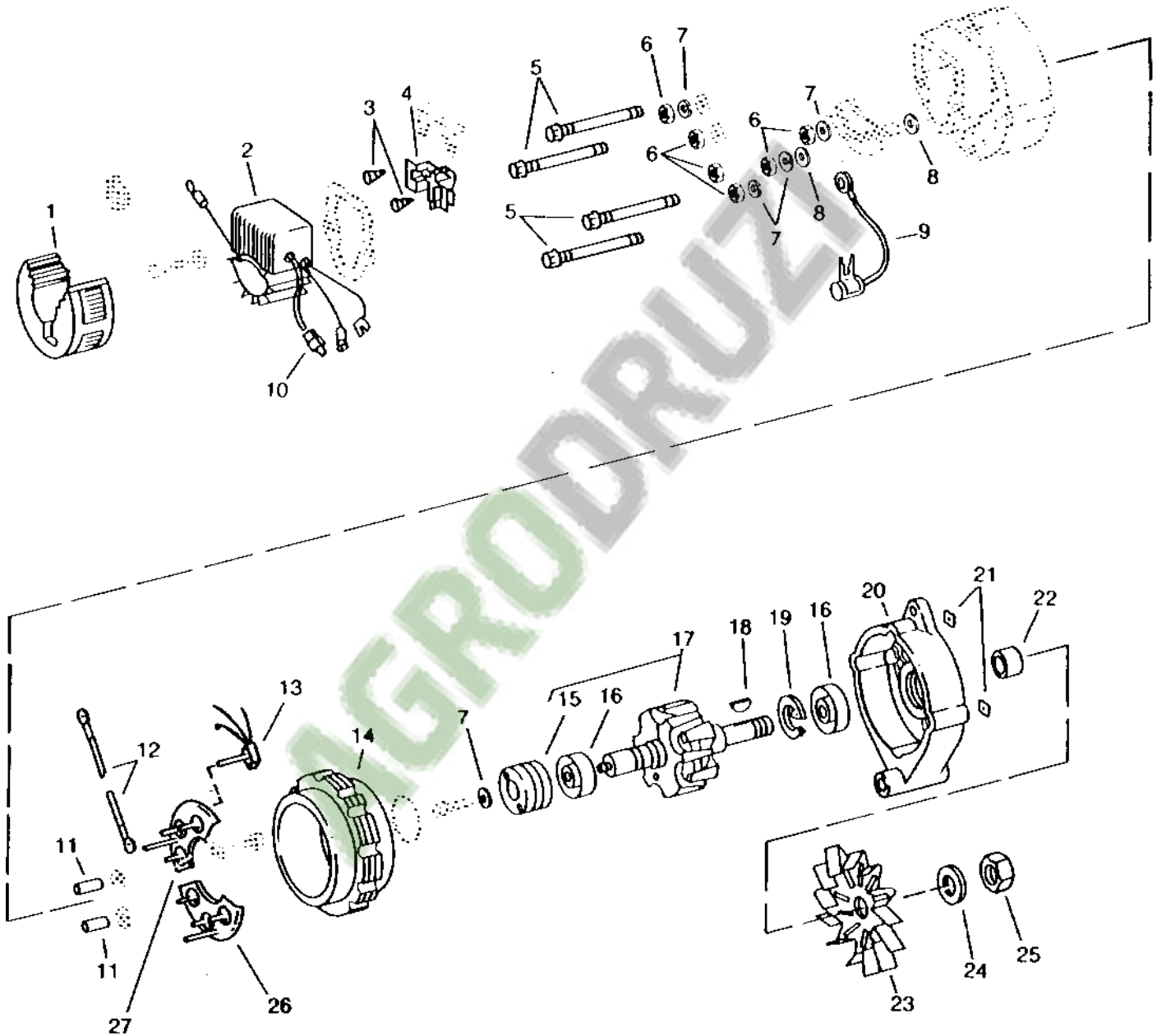


HP5763

3F1

ELECTRICAL

ALTERNATOR AND VOLTAGE REGULATOR (90 AMP)
MOTOROLA - PRESTOLITE
(-646145)
HP3534 -UN-01JAN94

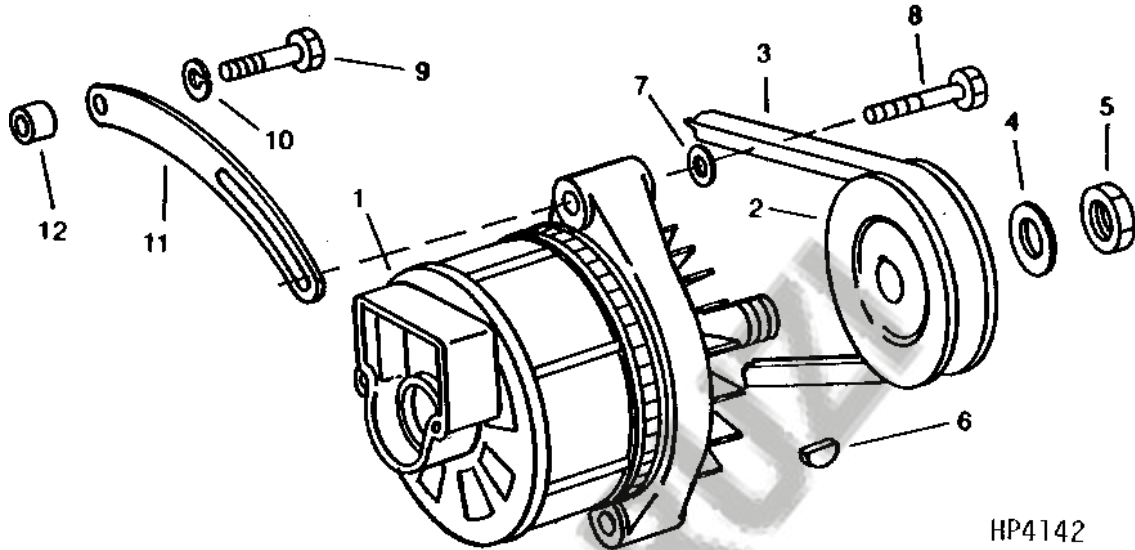


HP 3534

3F3

ELECTRICAL

ALTERNATOR, SHEAVE AND BELT
 MOTOROLA - PRESTOLITE
 (-637627)
 HP4142 -UN-01JAN94



HP4142

KEY	PART NO.	PART NAME	QTY	SERIAL NO.	REMARKS
-----	----------	-----------	-----	------------	---------

S
 H
 9 9
 5 5
 0 0
 0 0

AGRODRIVE

3F4

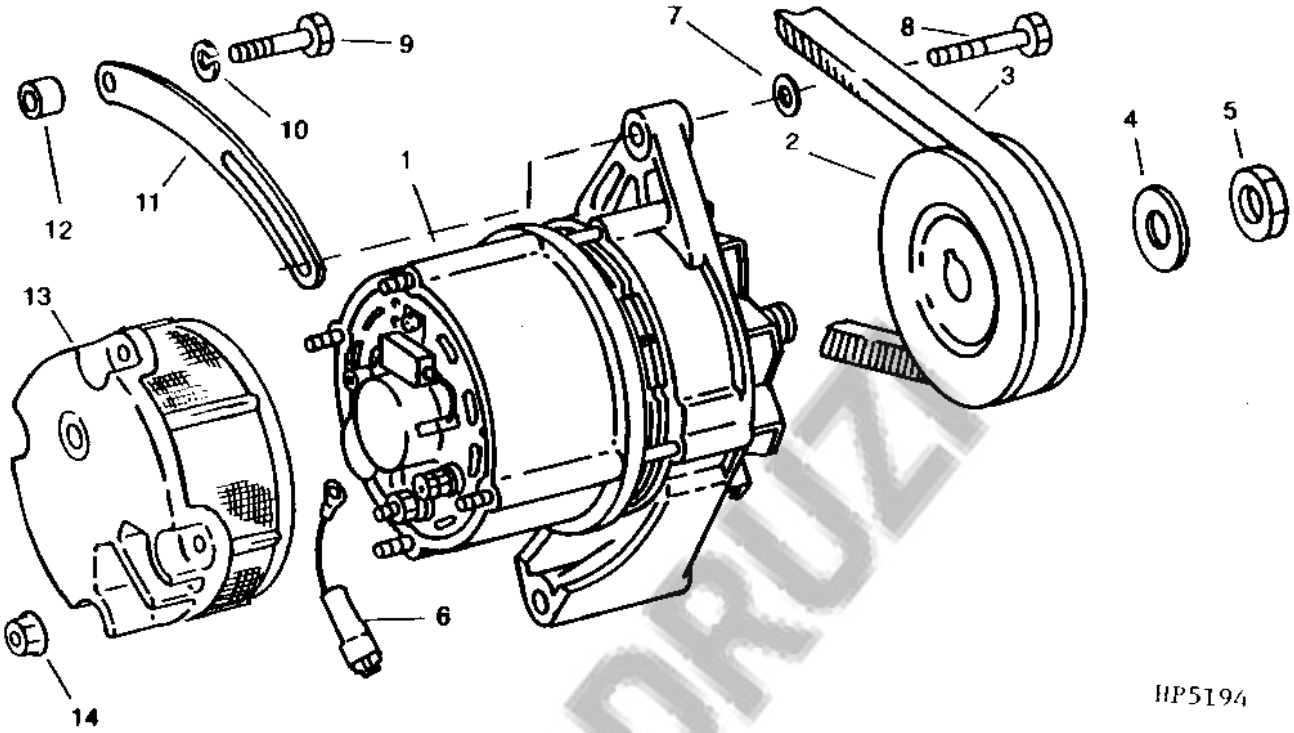
ELECTRICAL

ALTERNATOR, SHEAVE AND BELT

BOSCH

(637628-
HP5194

)
-UN-01JAN94



HP5194

KEY	PART NO.	PART NAME	QTY	SERIAL NO.	REMARKS
-----	----------	-----------	-----	------------	---------

S
H
9 9
5 5
0 0
0 0

AGRODRUK

3F5

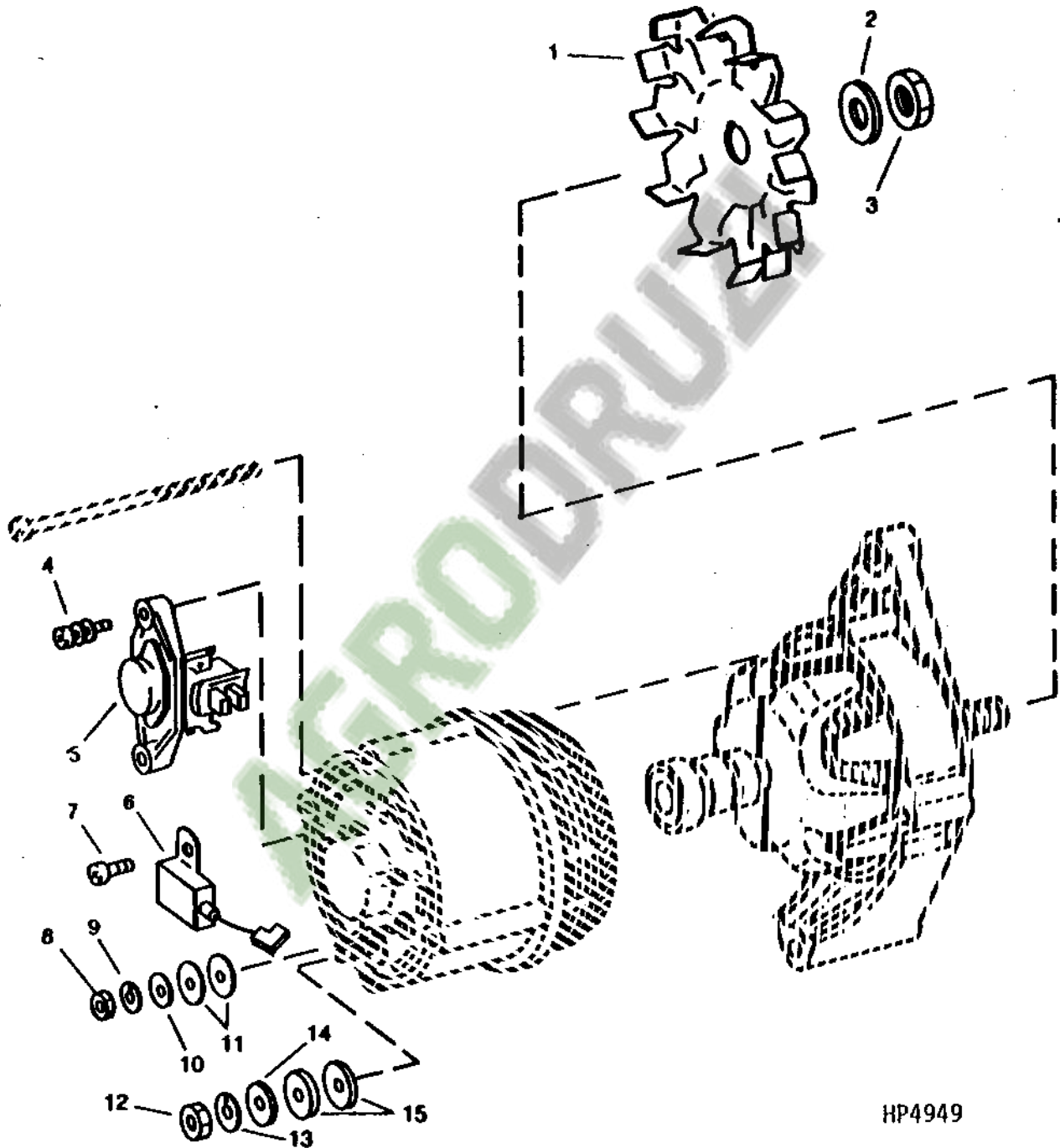
ELECTRICAL

BOSCH ALTERNATOR AND VOLTAGE REGULATOR (95 AMP)

BOSCH

(637628-
HP4949

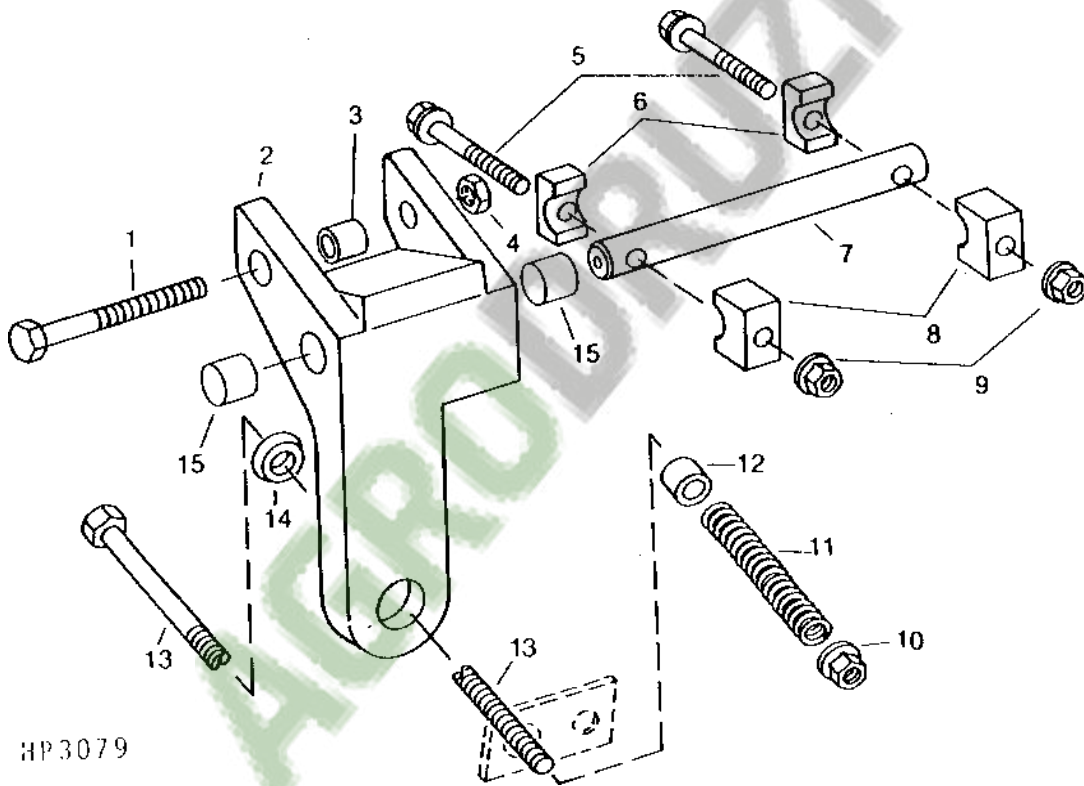
)
-UN-01JAN94



HP4949

3F7

ALTERNATOR MOUNTING
HP3079 -UN-01JAN94

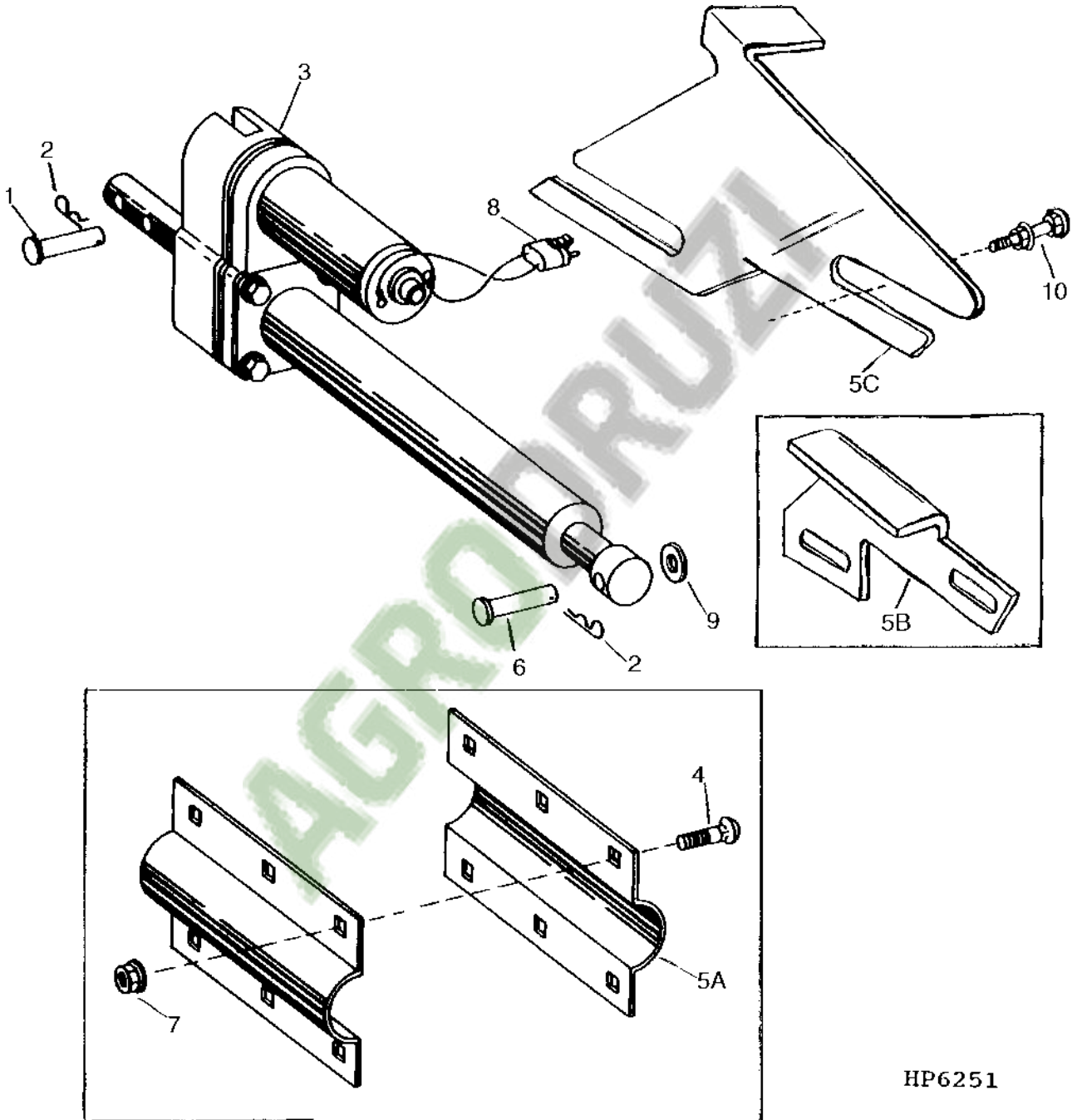


HP3079

3F9

ELECTRICAL

CONCAVE ADJUSTING MOTOR
HP6251 -UN-04JAN96

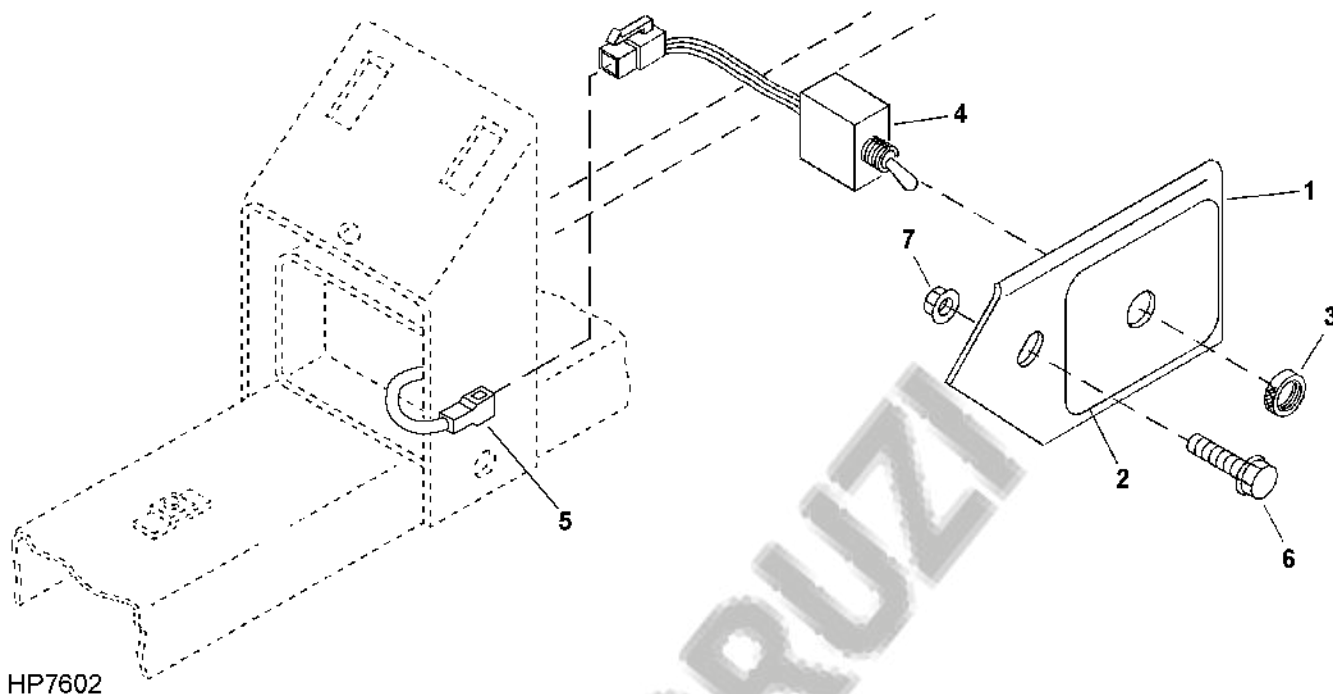


HP6251

3F11

ELECTRICAL

SHOE ADJUSTING LIGHT SWITCH
 HP7602 -UN-20AUG98



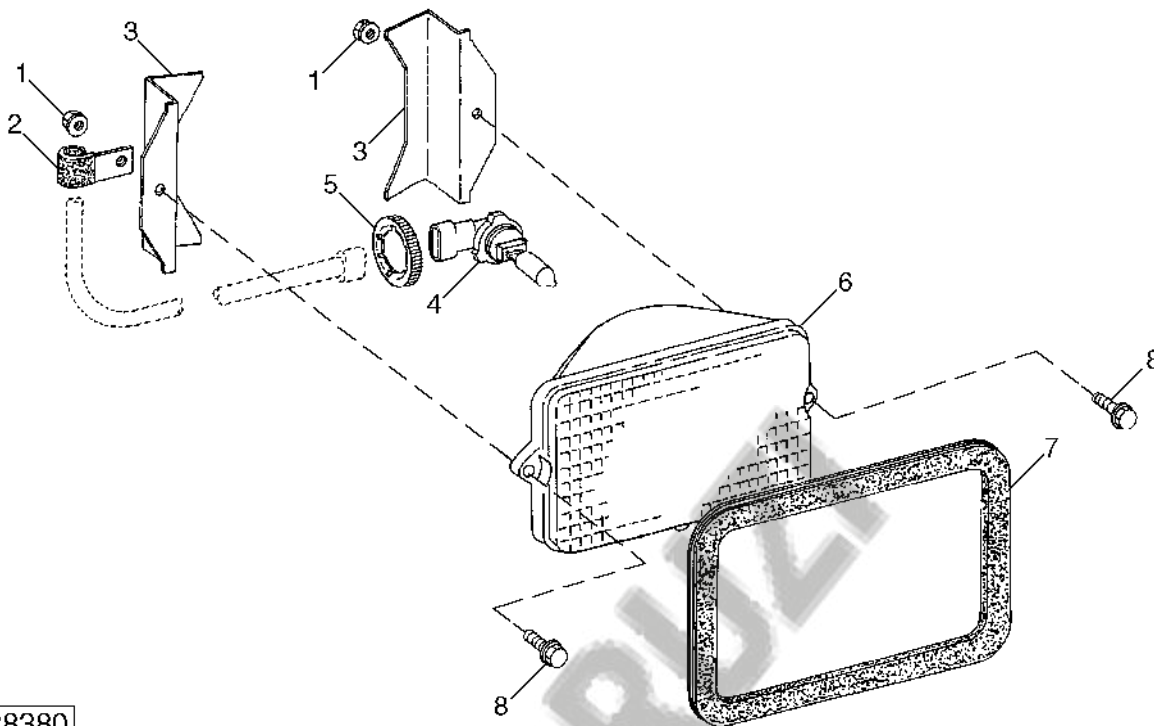
KEY	PART NO.	PART NAME	QTY	SERIAL NO.	REMARKS
				S	
				H	
				9	
				5	
				0	
				0	

AGRODRUZI

3F12

ELECTRICAL

SIDE FINDER LIGHTS (L.H. AND R.H.)
 HP8380 -UN-27JUL99



HP8380

KEY	PART NO.	PART NAME	QTY	SERIAL NO.	REMARKS
-----	----------	-----------	-----	------------	---------

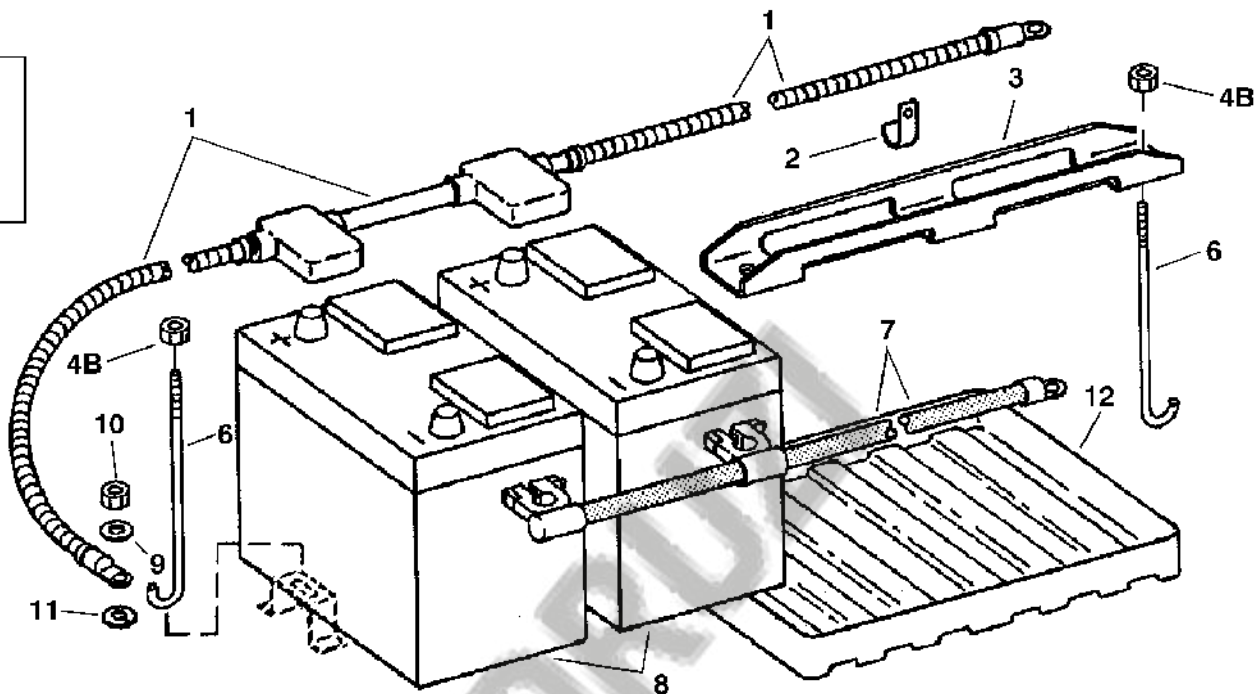
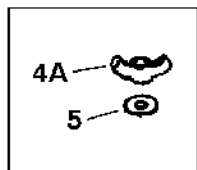
S
H
99
55
00
00

AGRODRIVE

3F13

ELECTRICAL

BATTERIES, CABLES AND HOLDDOWN
HP6772 -UN-18AUG97



HP6772

KEY	PART NO.	PART NAME	QTY	SERIAL NO.	REMARKS
-----	----------	-----------	-----	------------	---------

S
H
9 9
5 5
0 0
0 0

AGROD

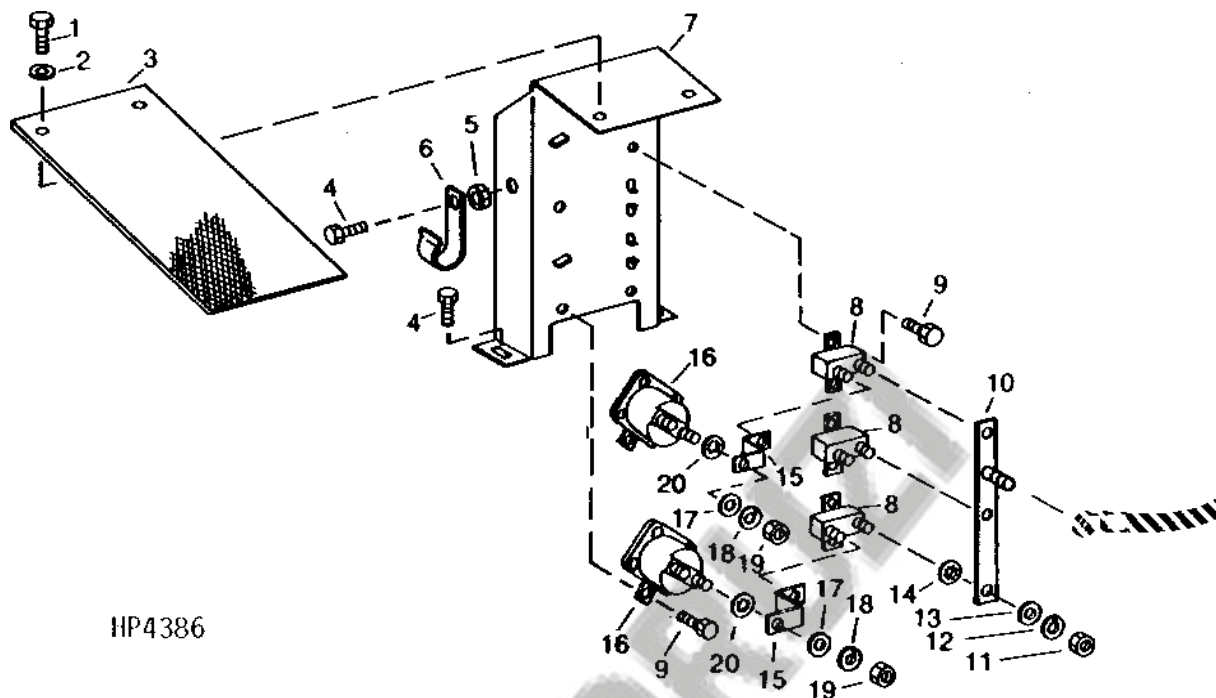
3F14

ELECTRICAL

CIRCUIT BREAKERS - ENGINE COMPARTMENT

(-660200)

HP4386 -UN-01JAN94



HP4386

KEY	PART NO.	PART NAME	QTY	SERIAL NO.	REMARKS
				S	
				H	
				9	
				5	
				0	
				0	

AGRODIA

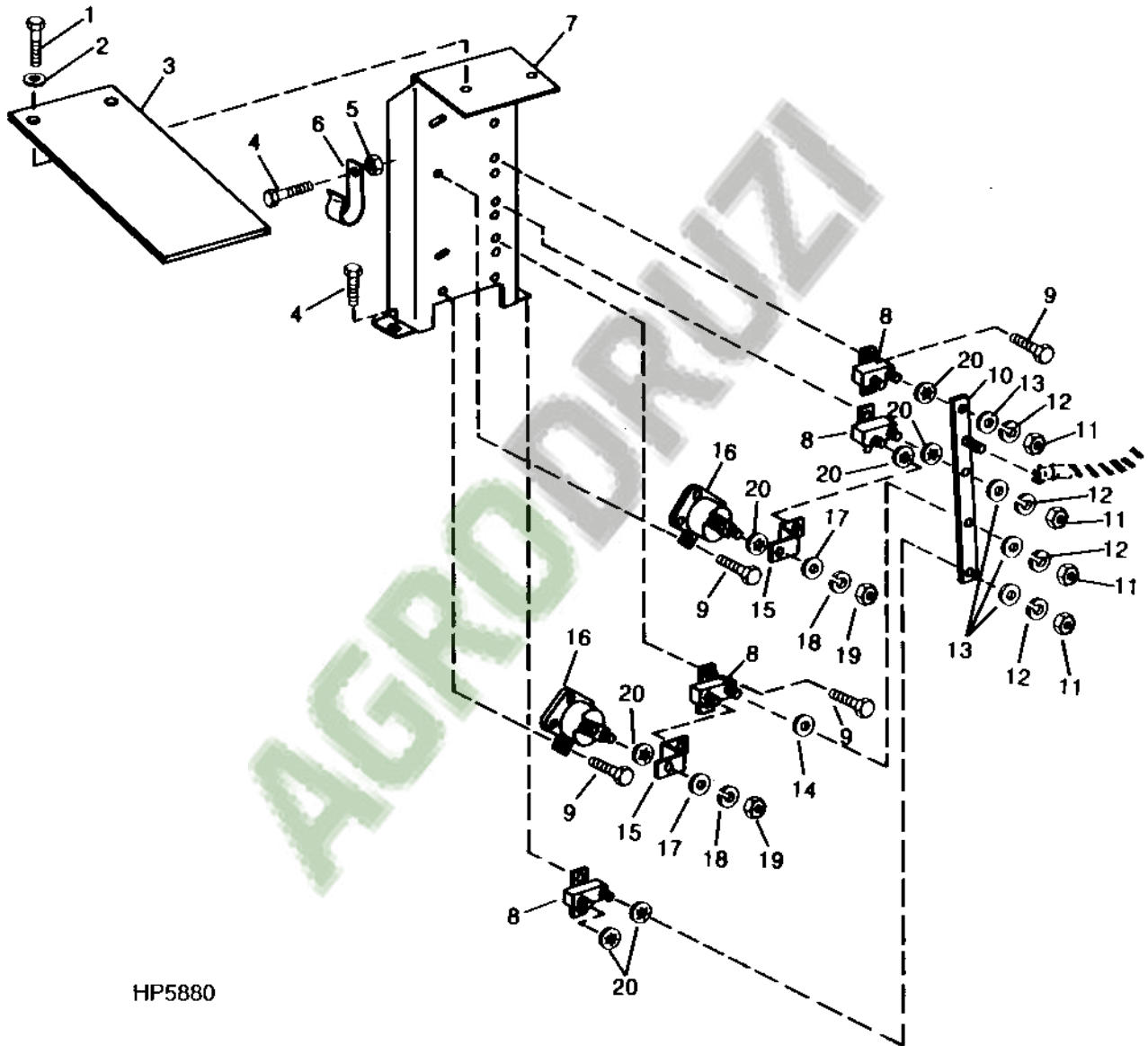
3F15

CIRCUIT BREAKERS - ENGINE COMPARTMENT

(660201-8AUG97)

HP5880

-UN-17OCT94

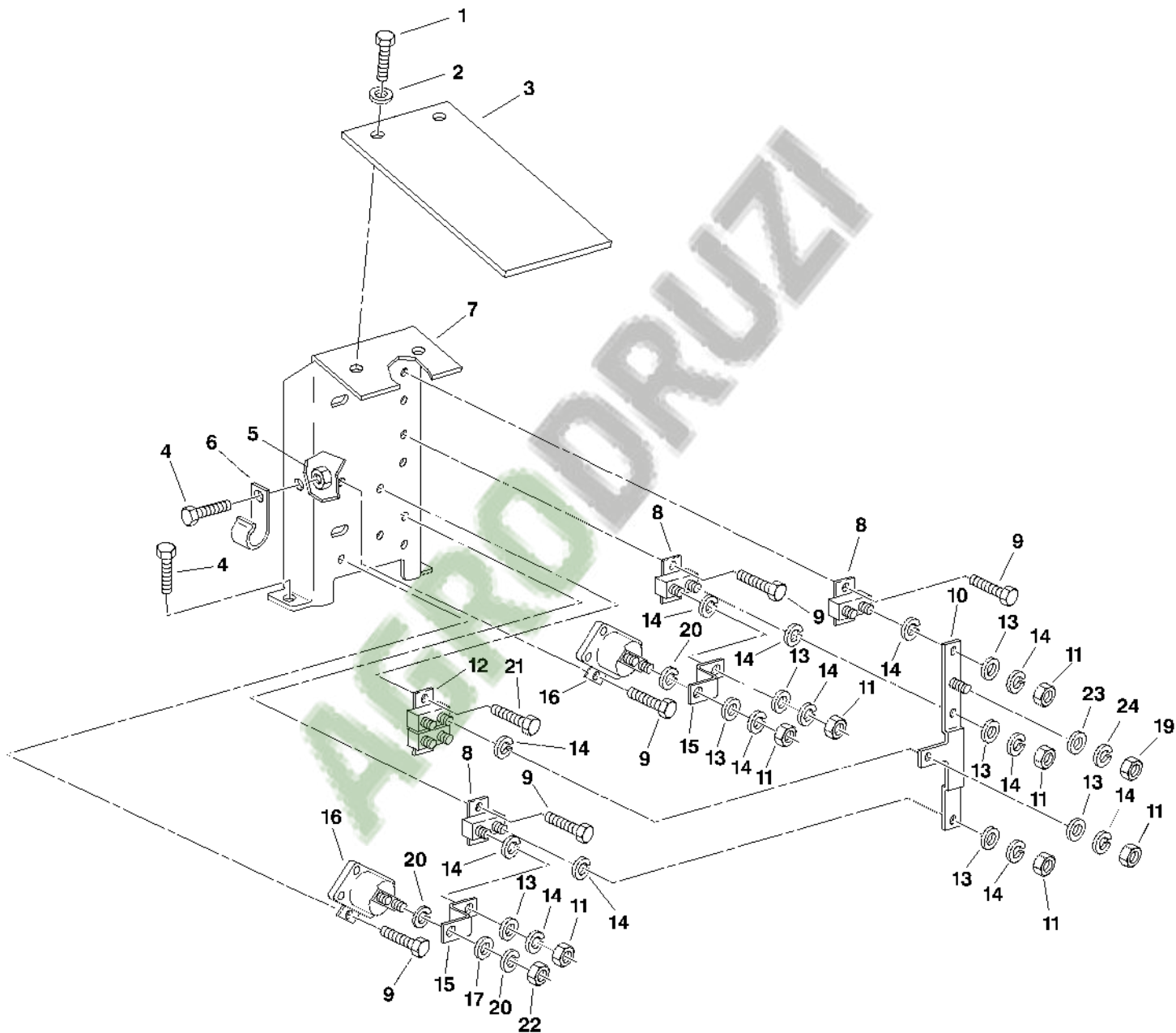


HP5880

3F17

CIRCUIT BREAKERS - ENGINE COMPARTMENT

(8AUG97-)
HP7383 -UN-21JAN98



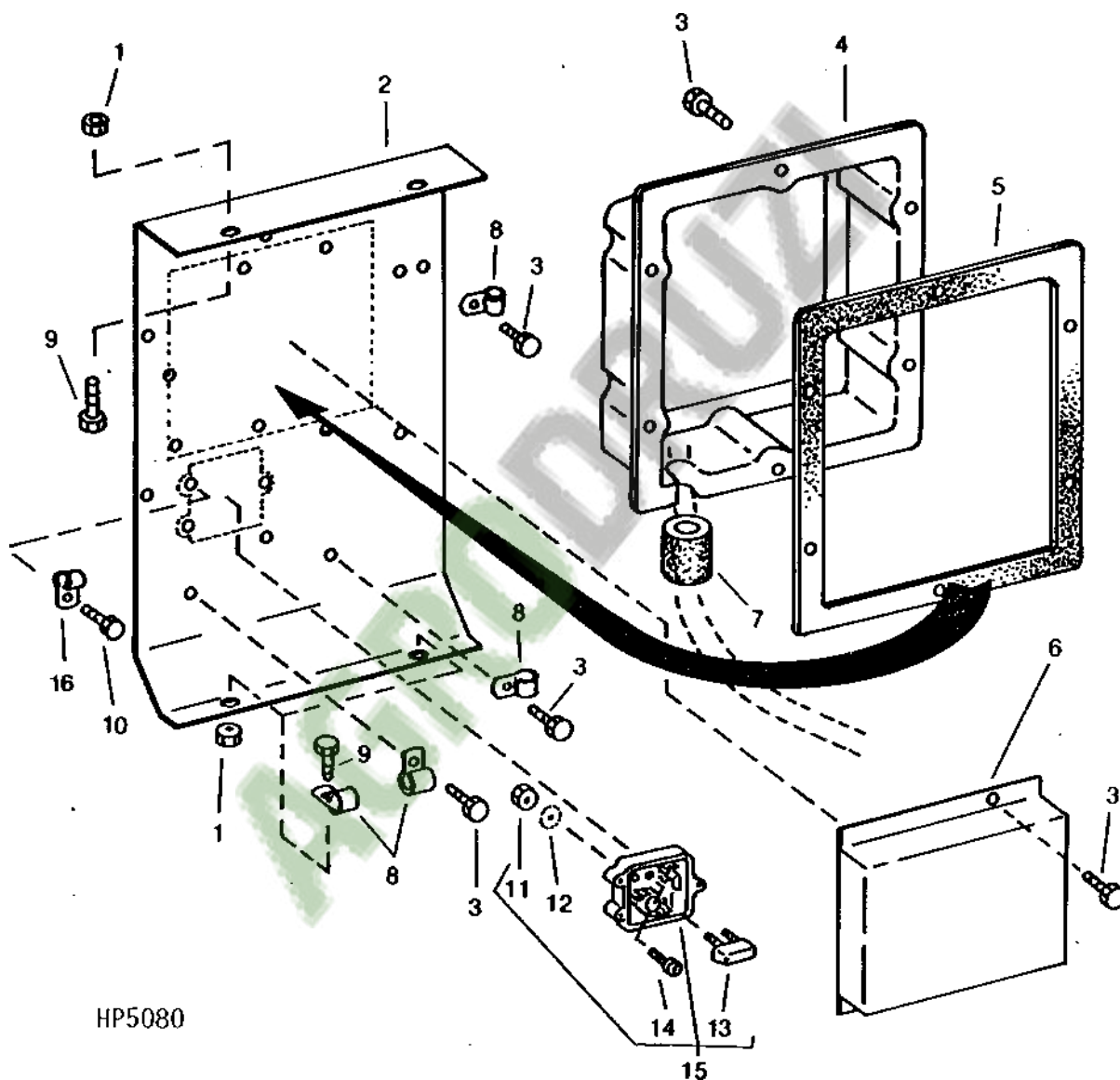
HP7383

211

3F19

ELECTRICAL

ELECTRONIC CONTROL UNIT (ECU) AND MOUNTING SUPPORT
HP5080 -UN-01JAN94

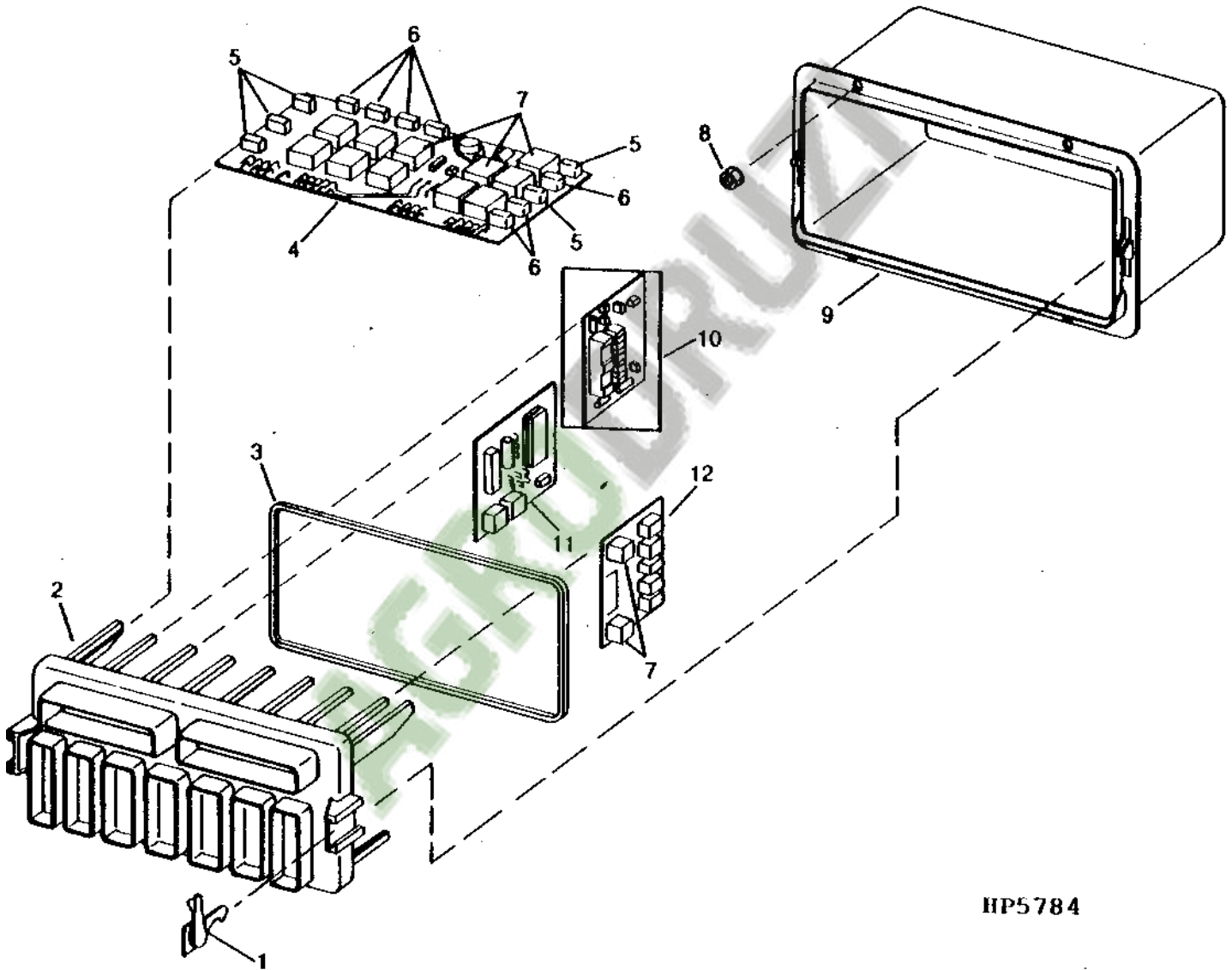


HP5080

3F21

ELECTRICAL

CENTRAL ELECTRONICS MODULE AND CIRCUIT BOARDS
HP5784 -UN-01JAN94

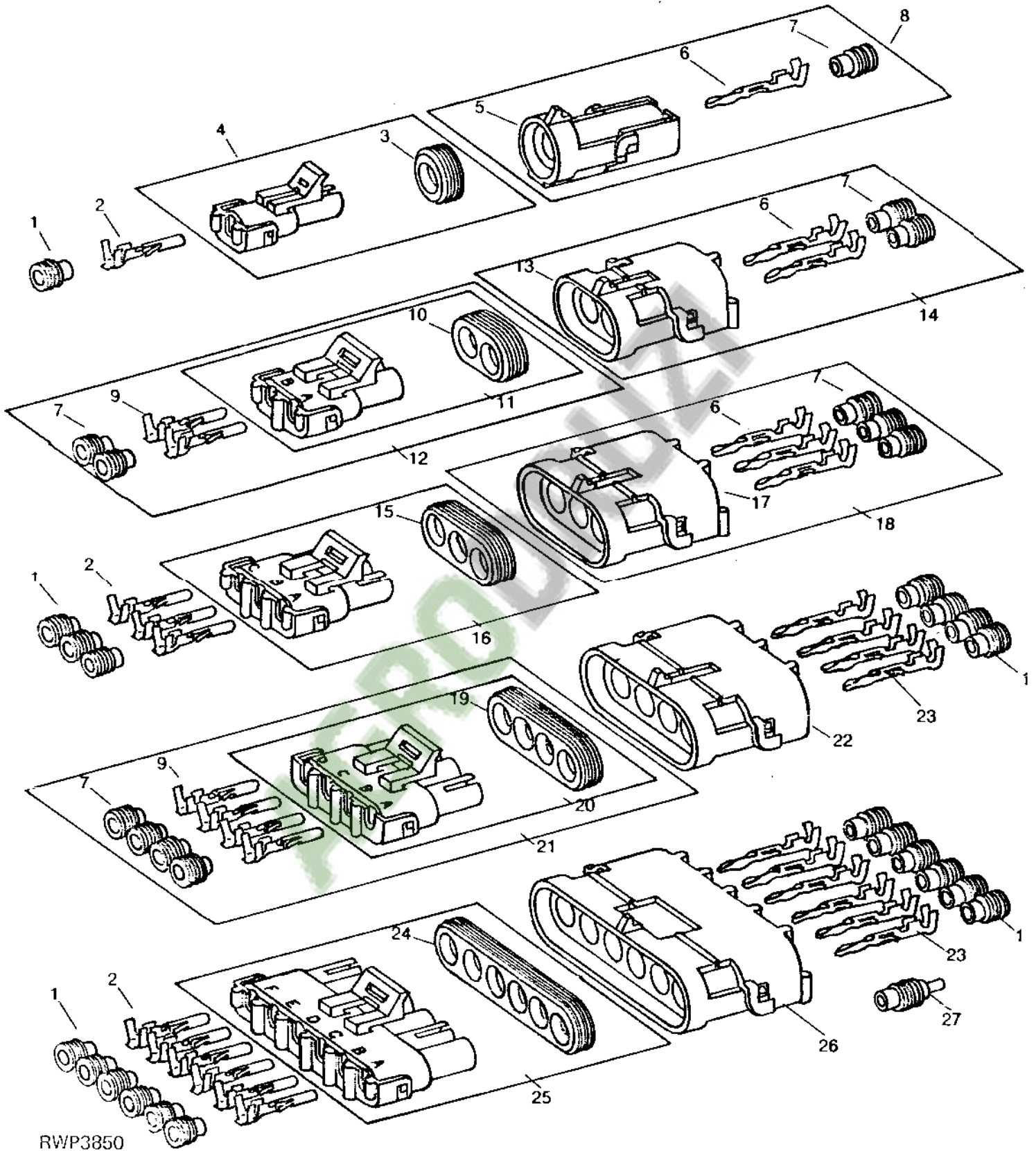


HP5784

3F23

ELECTRICAL

WEATHERPACK TERMINALS AND CONNECTORS
RWP3850 -UN-01JAN94

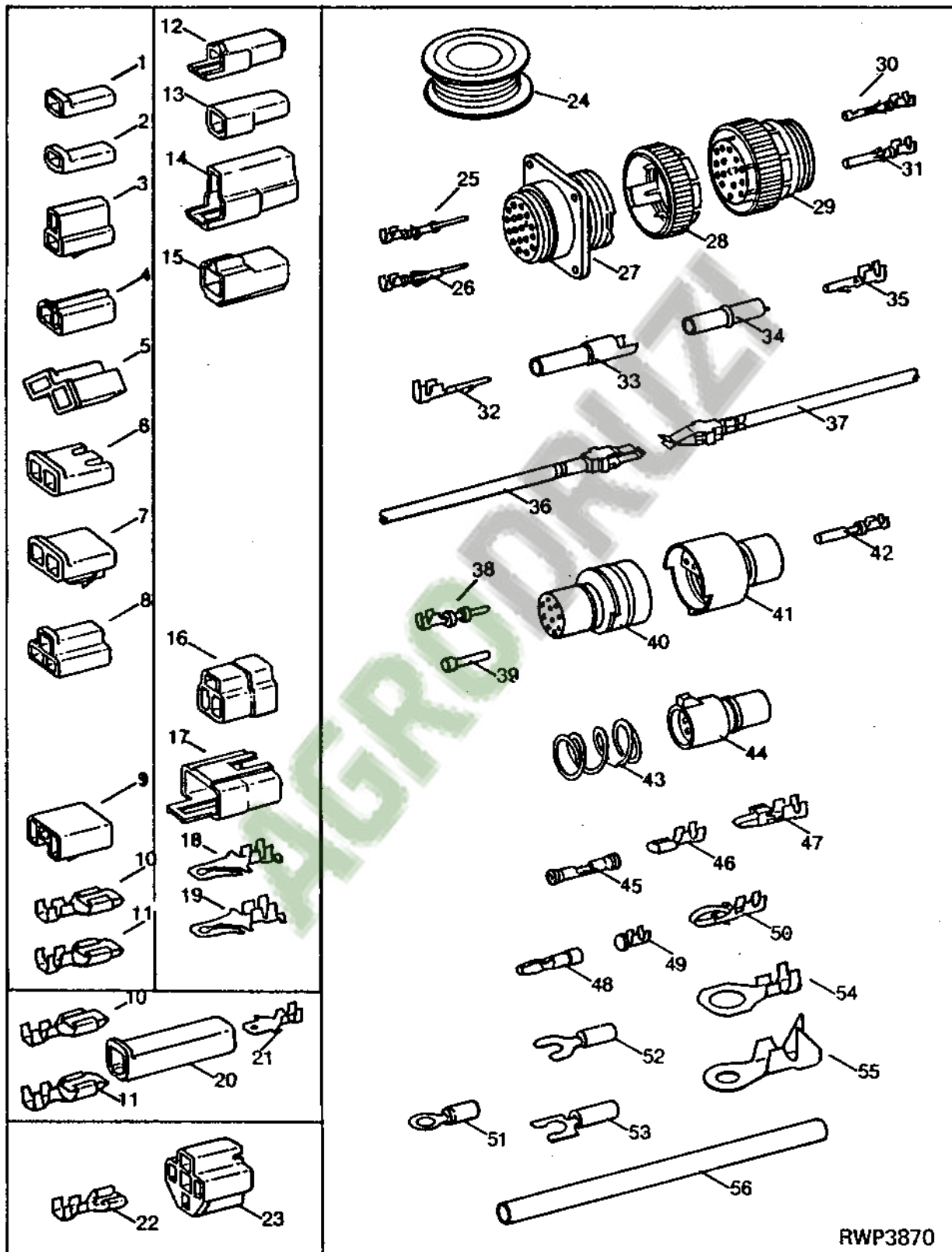


RWP3850

3G1

ELECTRICAL

ELECTRICAL CONNECTOR SERVICE KIT
RWP3870 -UN-01JAN94

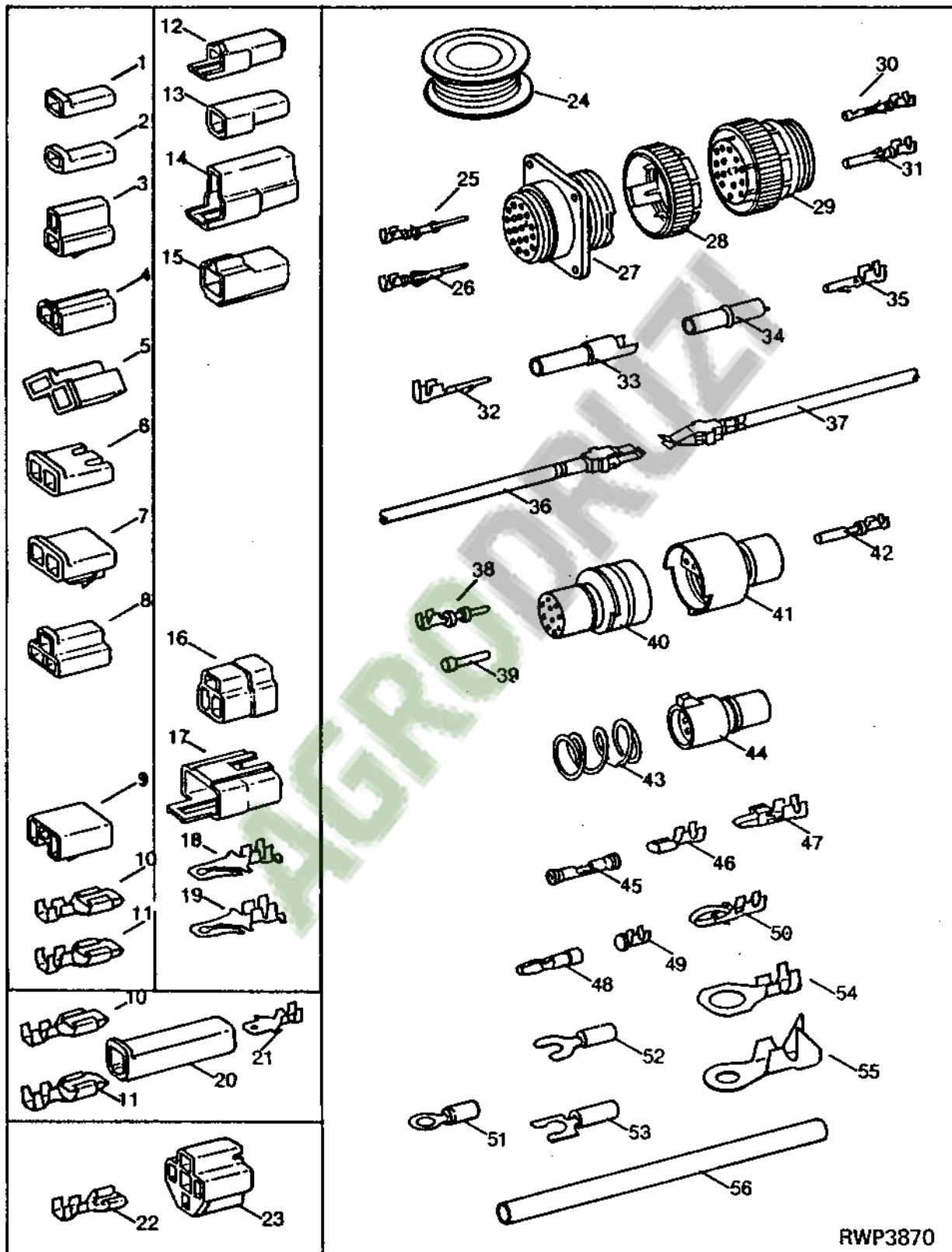


RWP3870

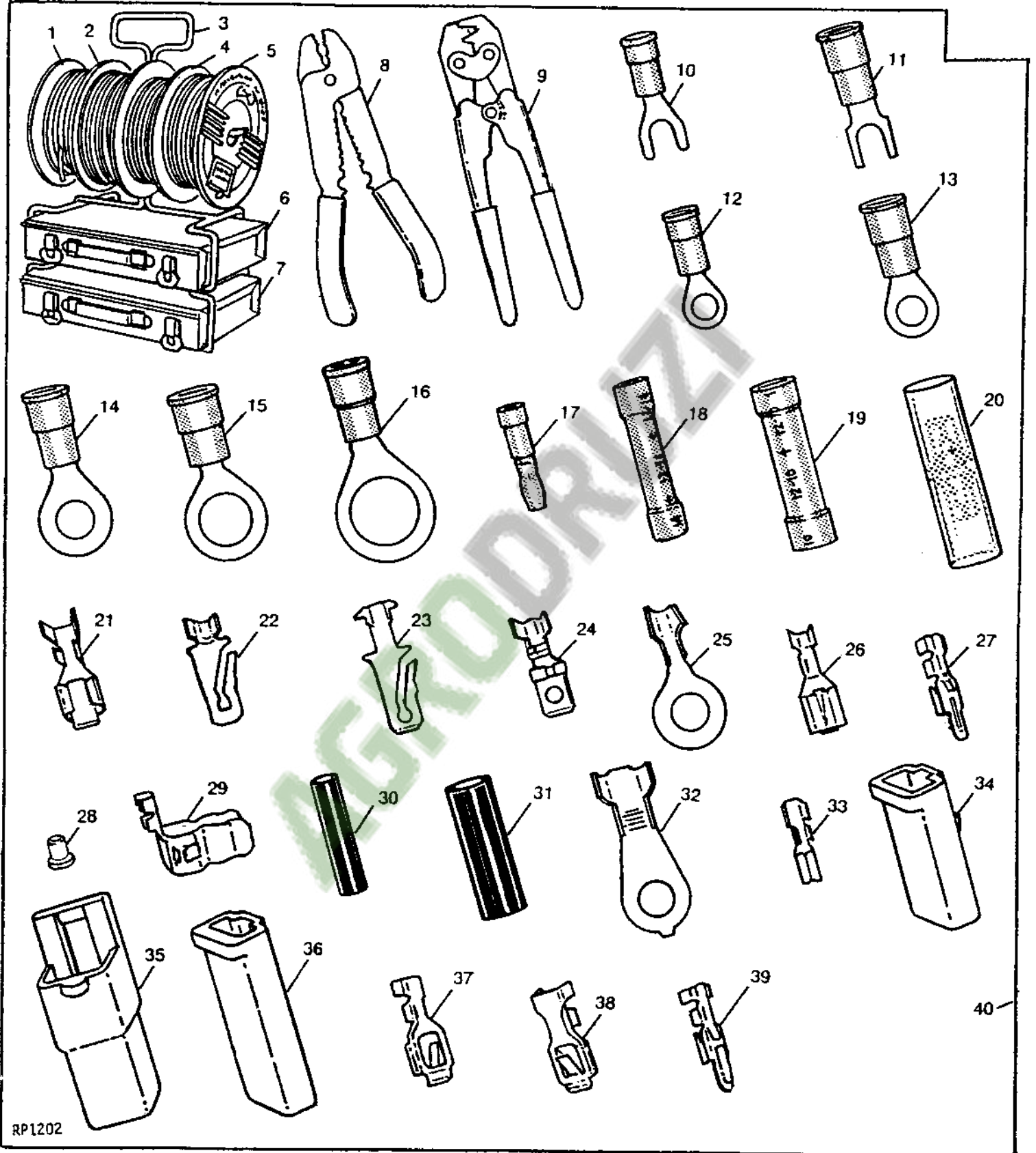
3G3

ELECTRICAL

ELECTRICAL CONNECTOR SERVICE KIT
RWP3870 -UN-01JAN94

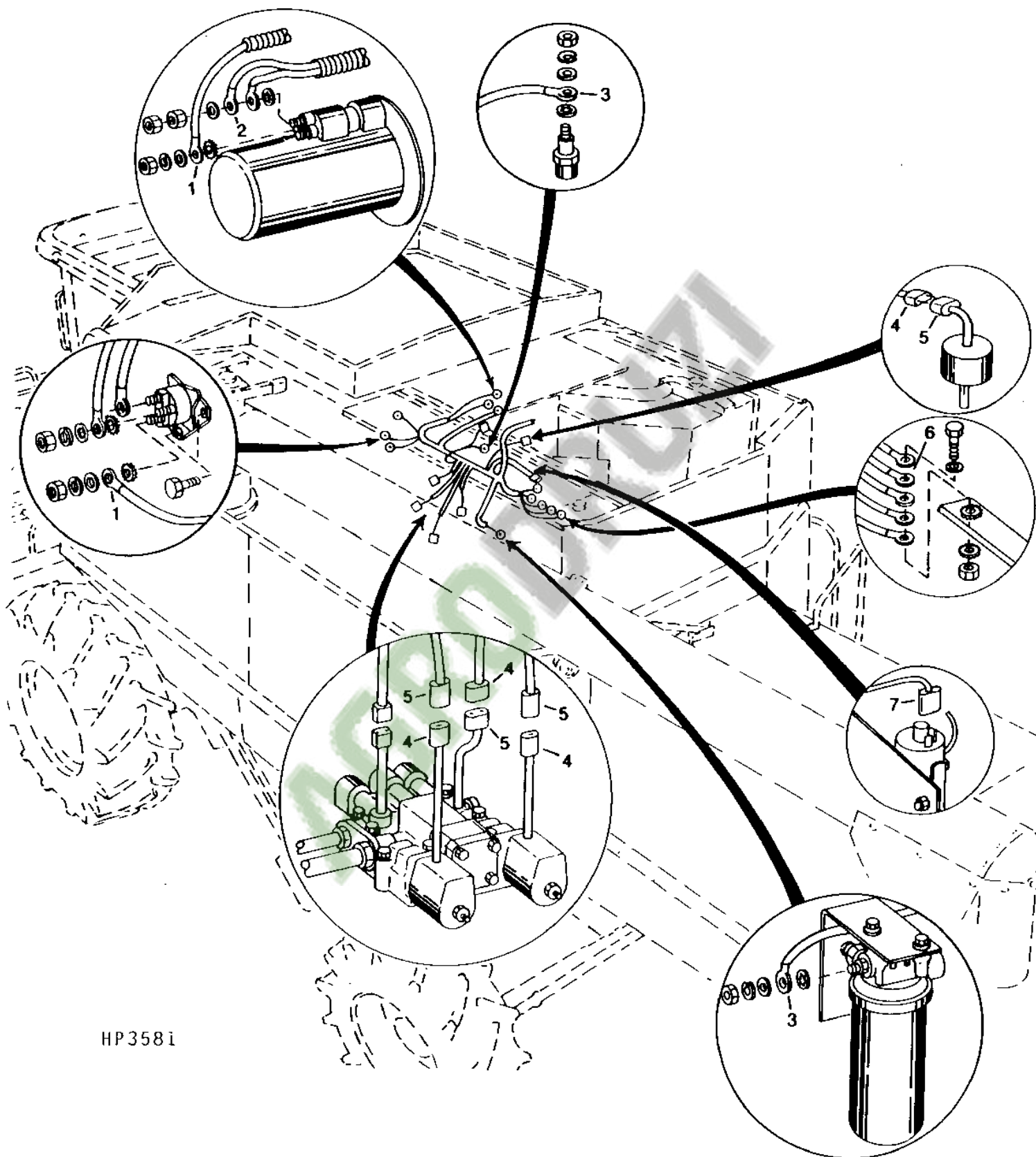


TERMINAL AND WIRING KIT
RP1202 -UN-12SEP95



RP1202

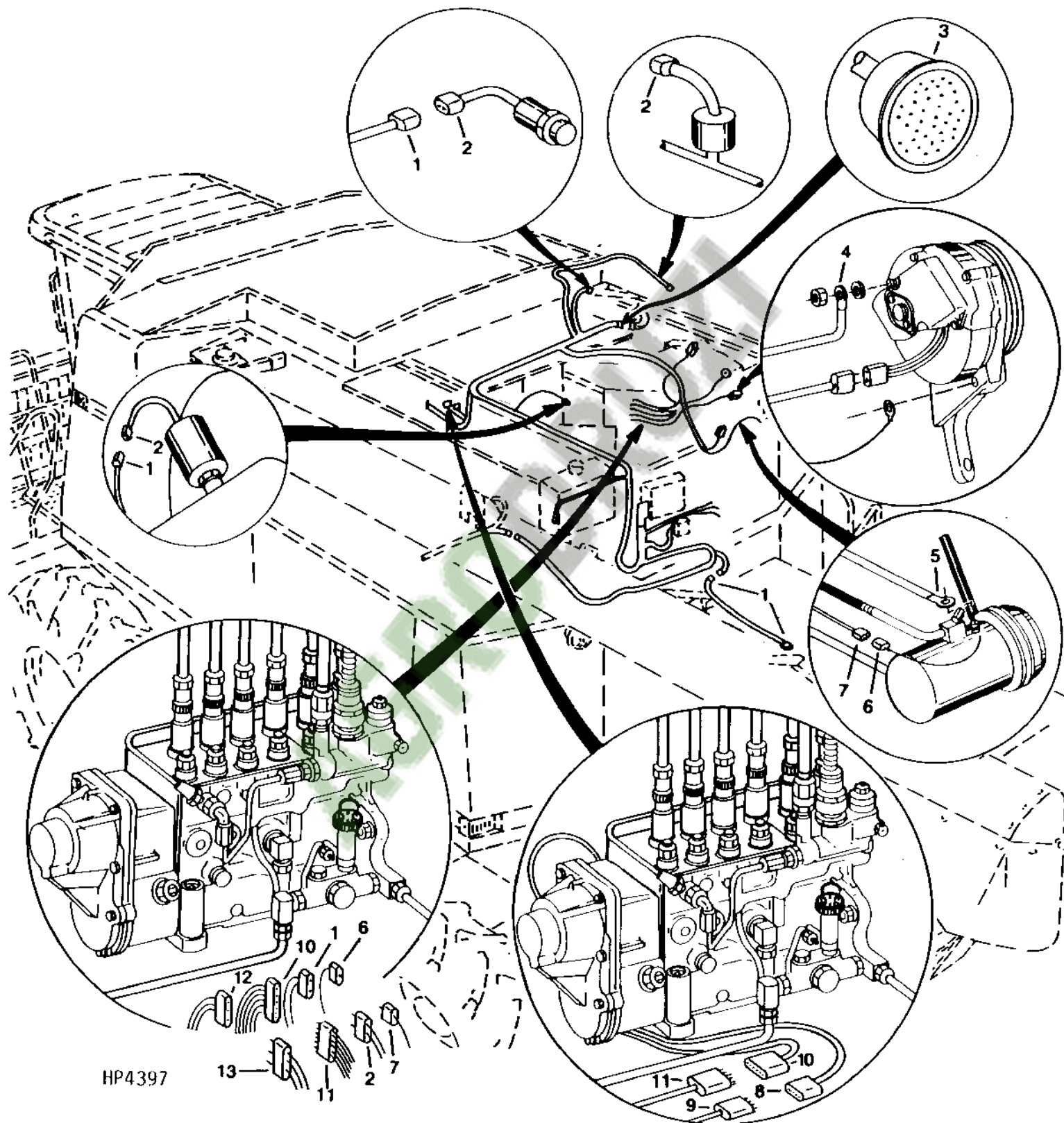
LOWER HARNESS CONNECTORS FOR 6076 ENGINE
HP3581 -UN-01JAN94



HP3581

UPPER HARNESS CONNECTORS FOR 6076 ENGINE

HP4397 -UN-01JAN94

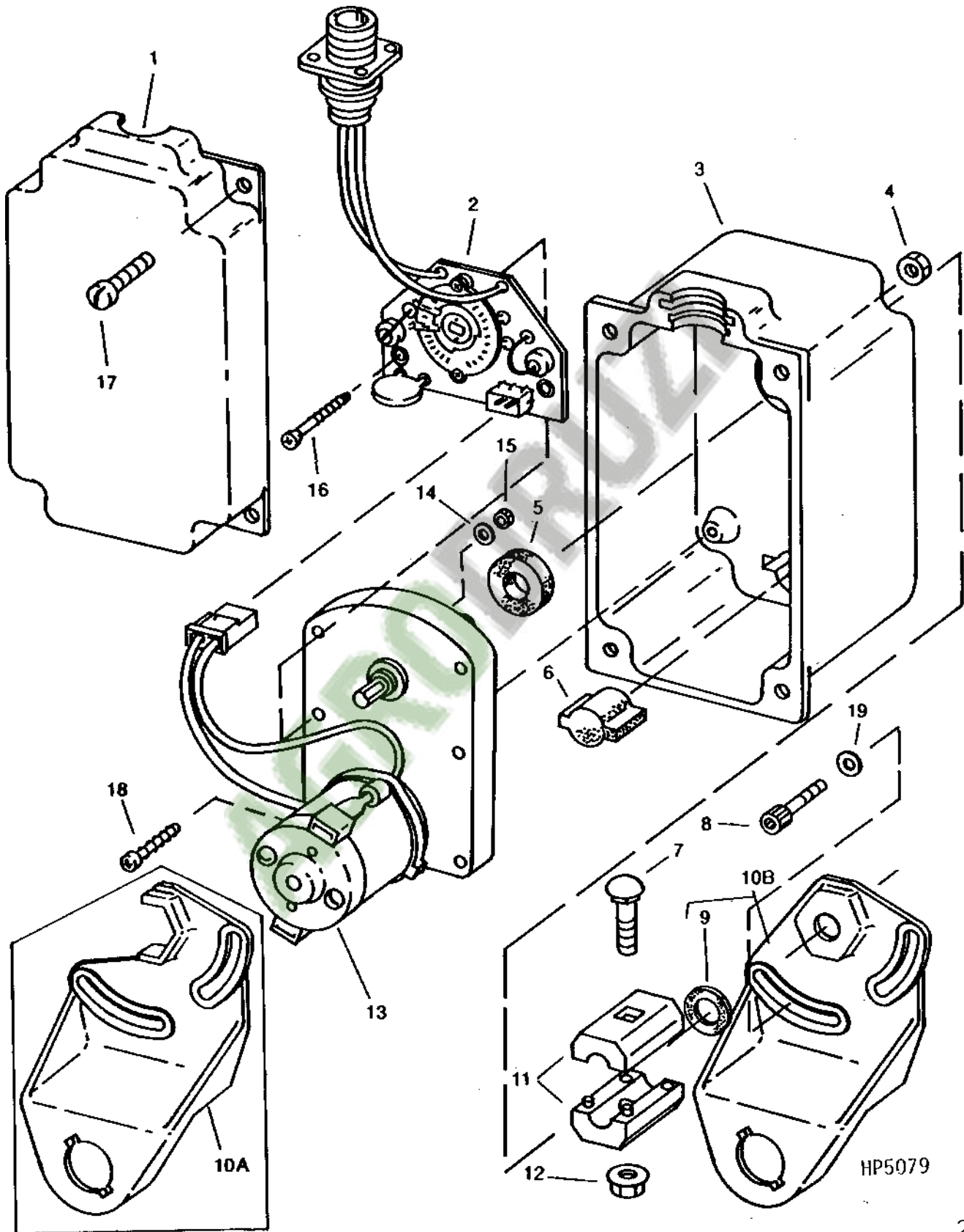


HP4397

3G11

ELECTRICAL

REEL SPEED MOTOR AND BRACKET
HP5079 -UN-01JAN94

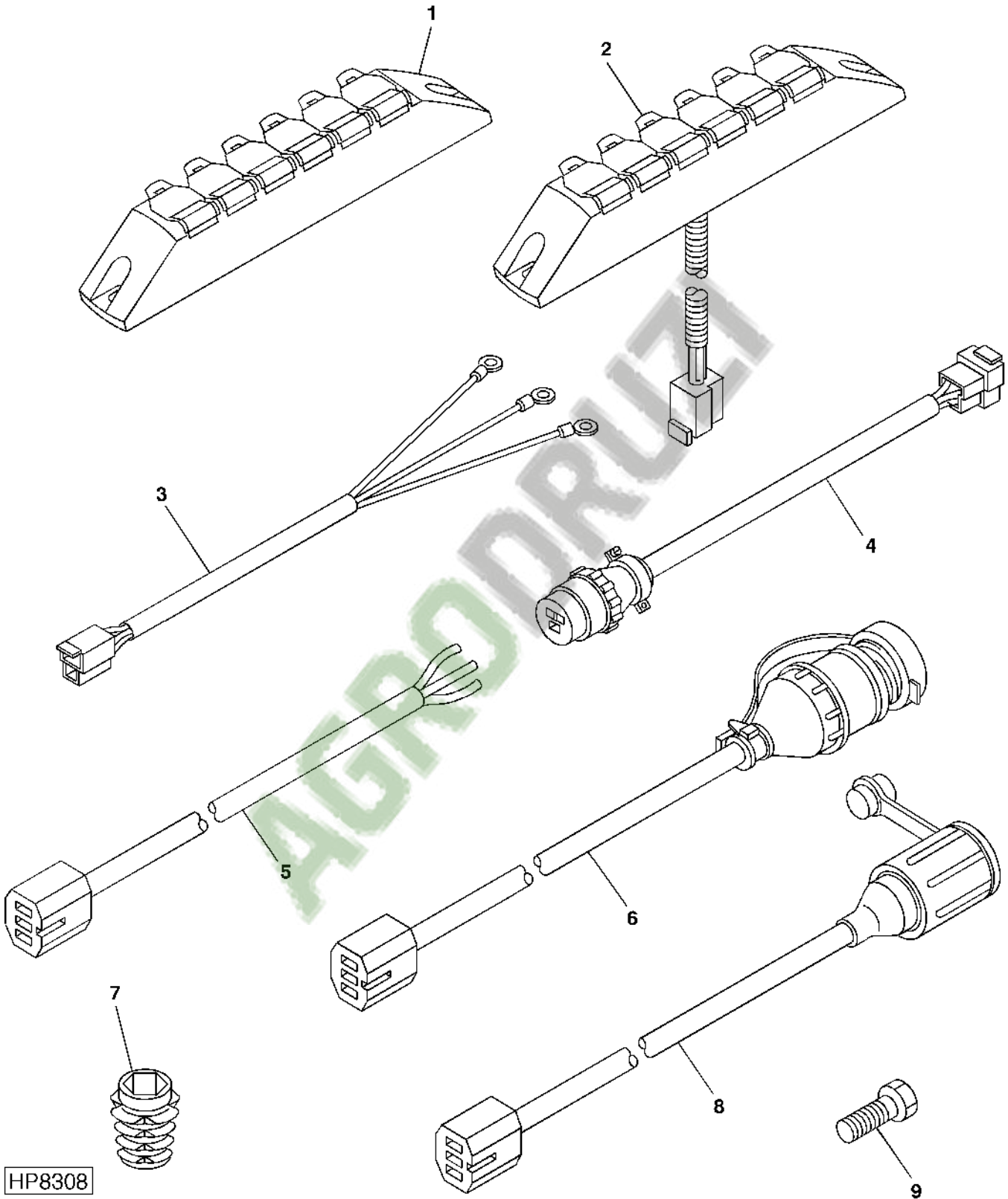


HP5079

3G13

ELECTRICAL

KIT-CONVENIENCE OUTLET
HP8308 -UN-10MAR99

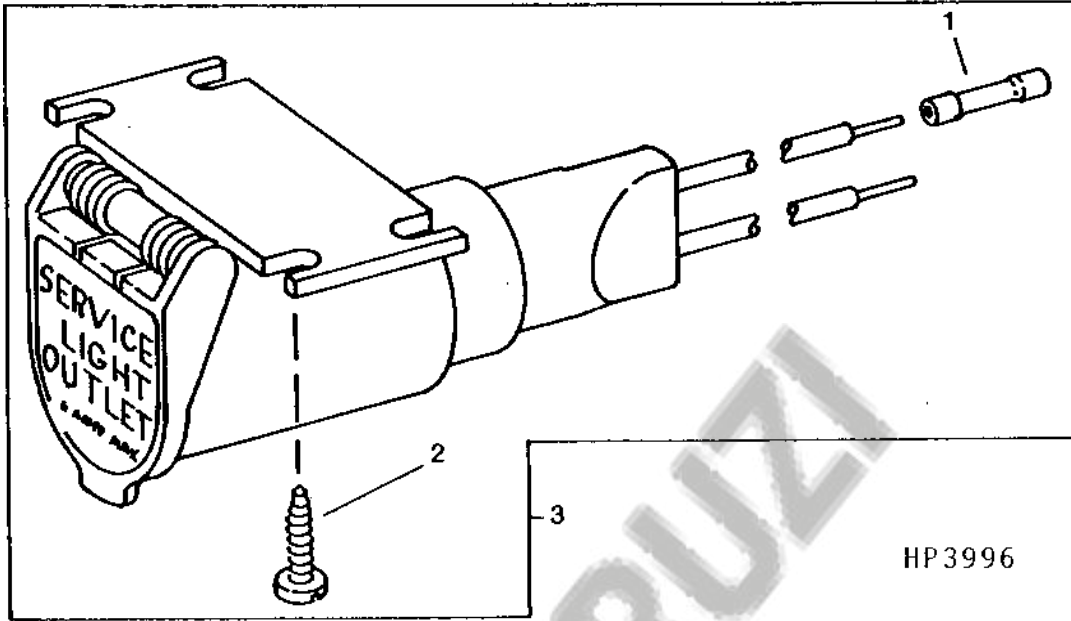


HP8308

3G15

ELECTRICAL

ELECTRICAL SERVICE OUTLET
 HP3996 -UN-01JAN94



KEY	PART NO.	PART NAME	QTY	SERIAL NO.	REMARKS
				S H 9 5 0 0	

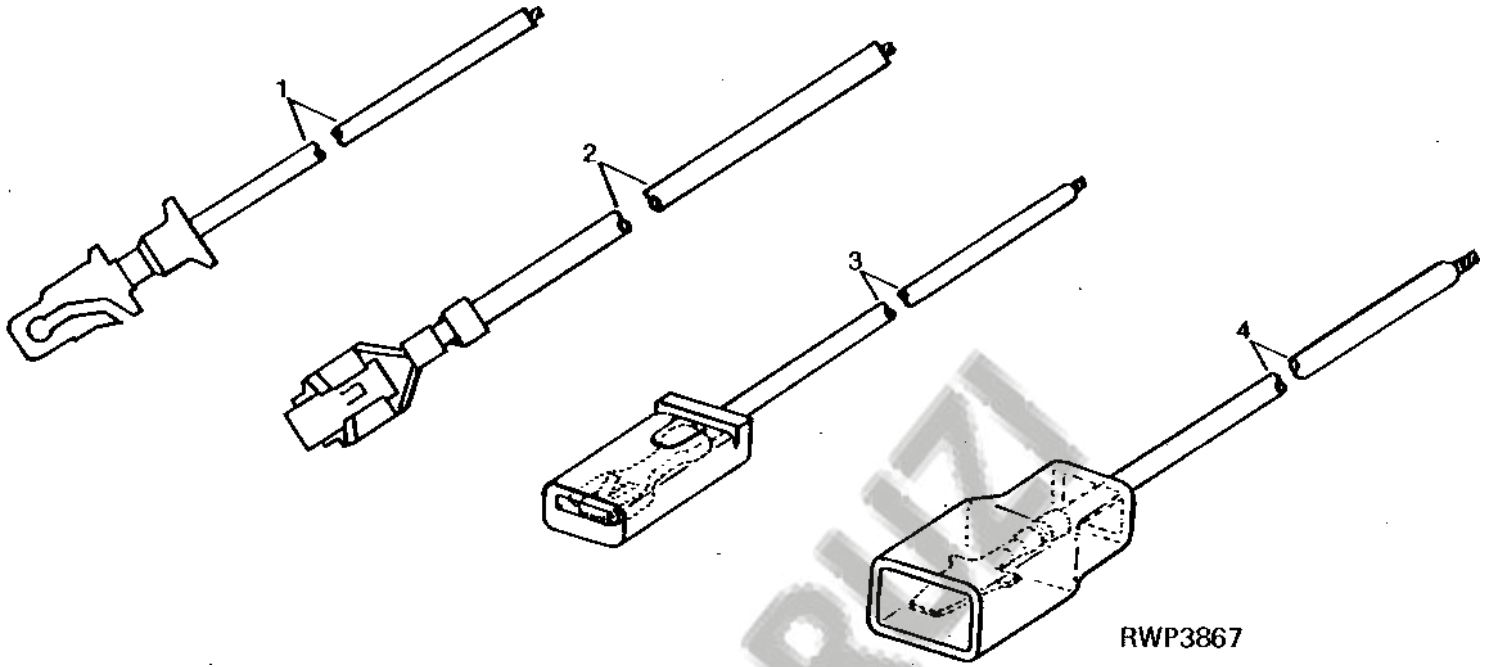
AGRODRUZI

3G16

ELECTRICAL

SUPPLEMENTARY TERMINALS AND CONNECTORS

RWP3867 -UN-01JAN94



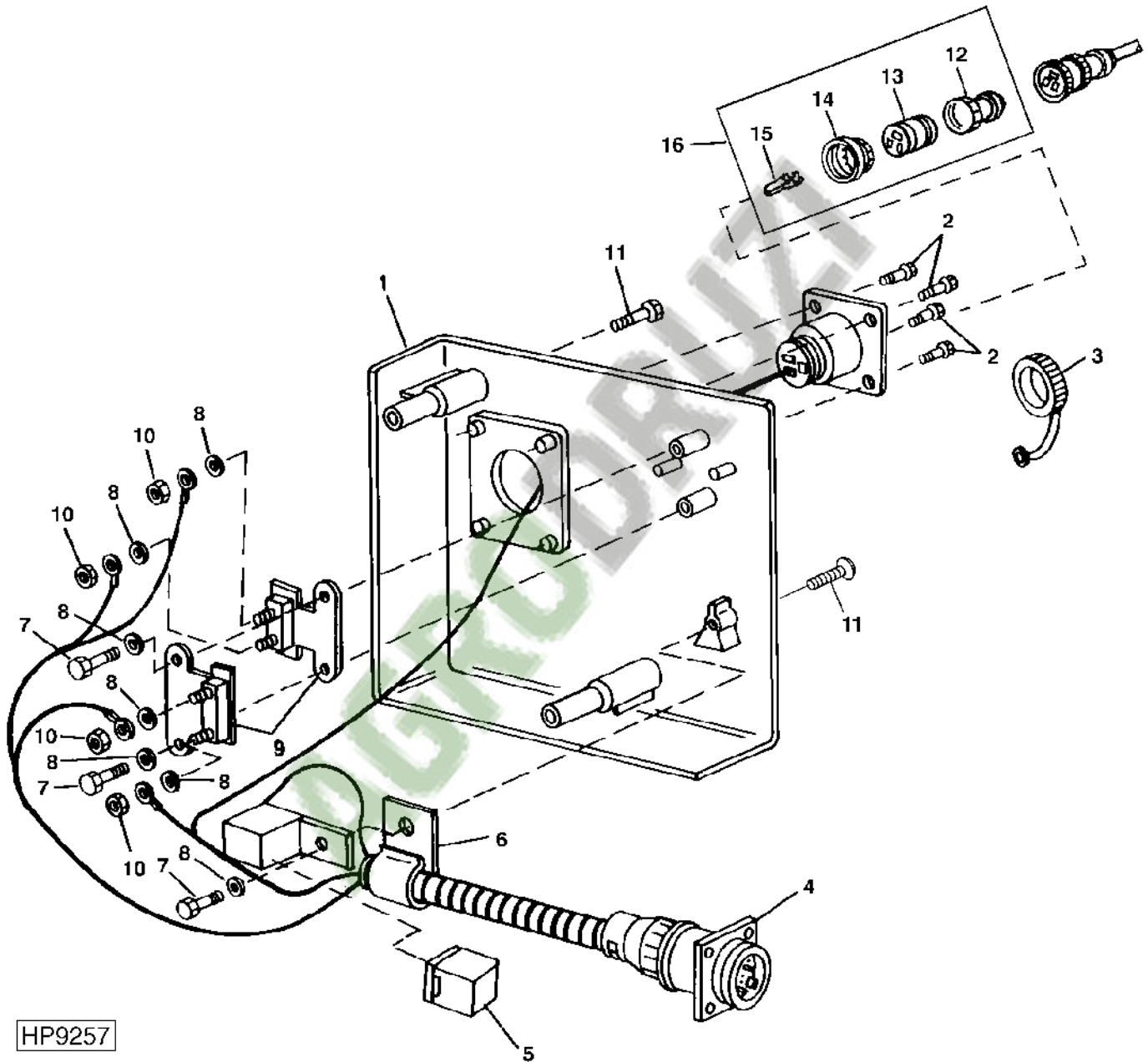
KEY	PART NO.	PART NAME	QTY	SERIAL NO.	REMARKS
				S H 9 9 5 5 0 0 0 0	

AGRODRIVE

3G17

ELECTRICAL

CONVENIENCE OUTLET
(660201-)
HP9257 -UN-15NOV99

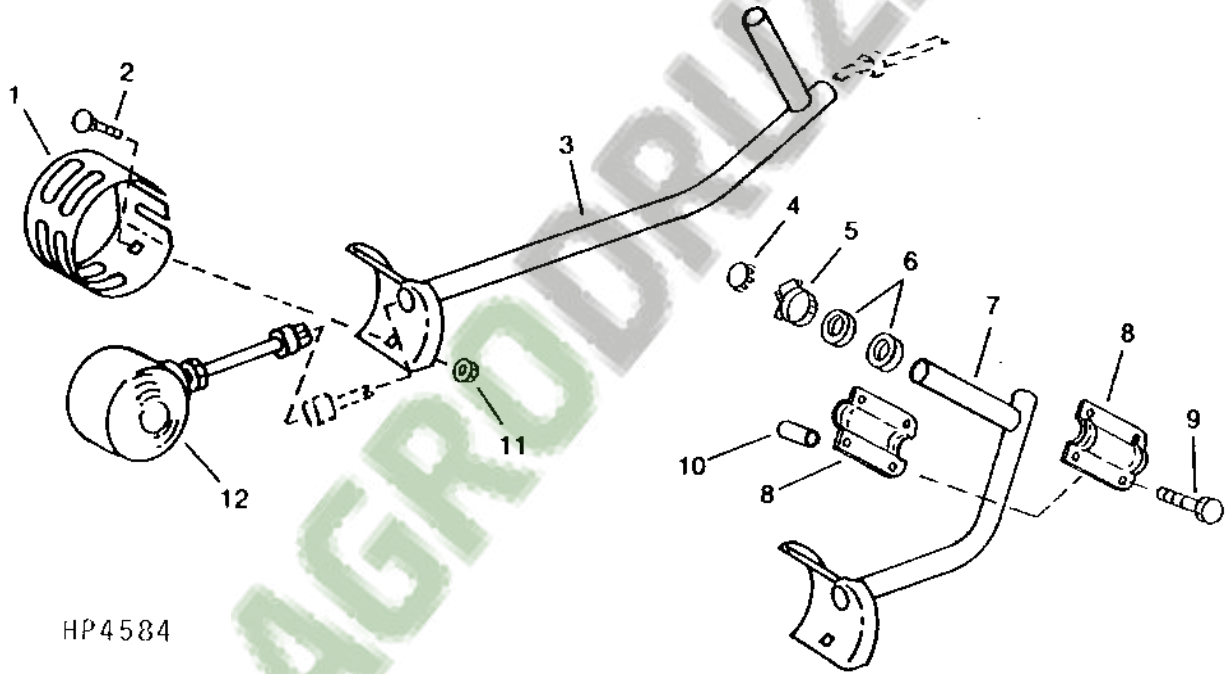


HP9257

3G19

ELECTRICAL

TRANSPORT WARNING LIGHTS
HP4584 -UN-01JAN94



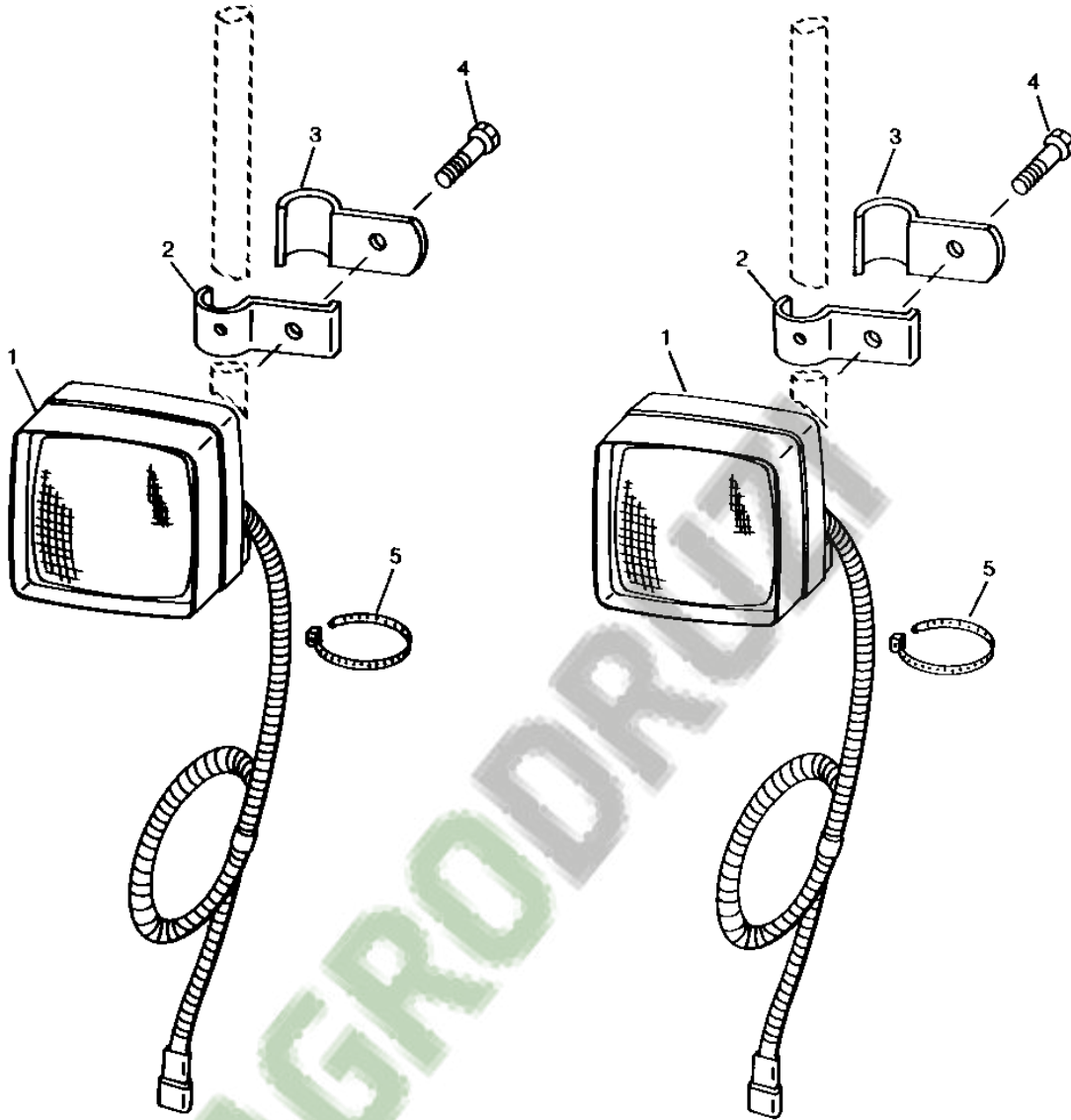
HP4584

3G21

ELECTRICAL

FIELD LIGHTS

(660201-)
 HP5865 -UN-15OCT94



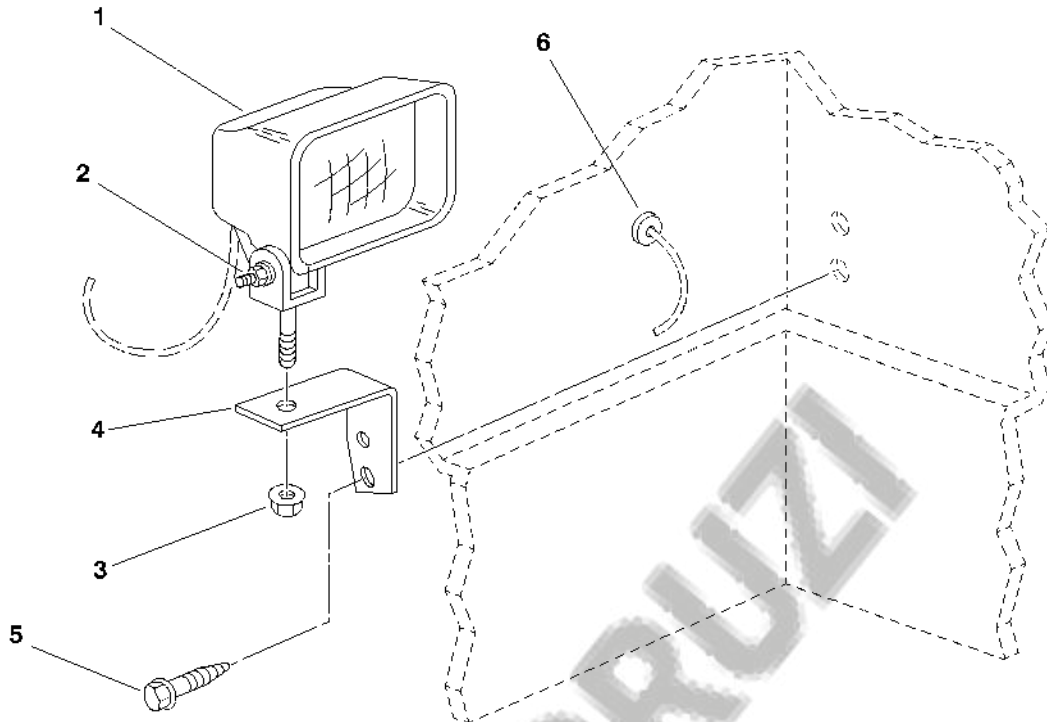
HP5865

KEY	PART NO.	PART NAME	QTY	SERIAL NO.	REMARKS
				S H 9 5 0 0	

3G22

ELECTRICAL

REAR LAMP ASSEMBLY - L.H. SIDE
HP7290 -UN-08JAN98



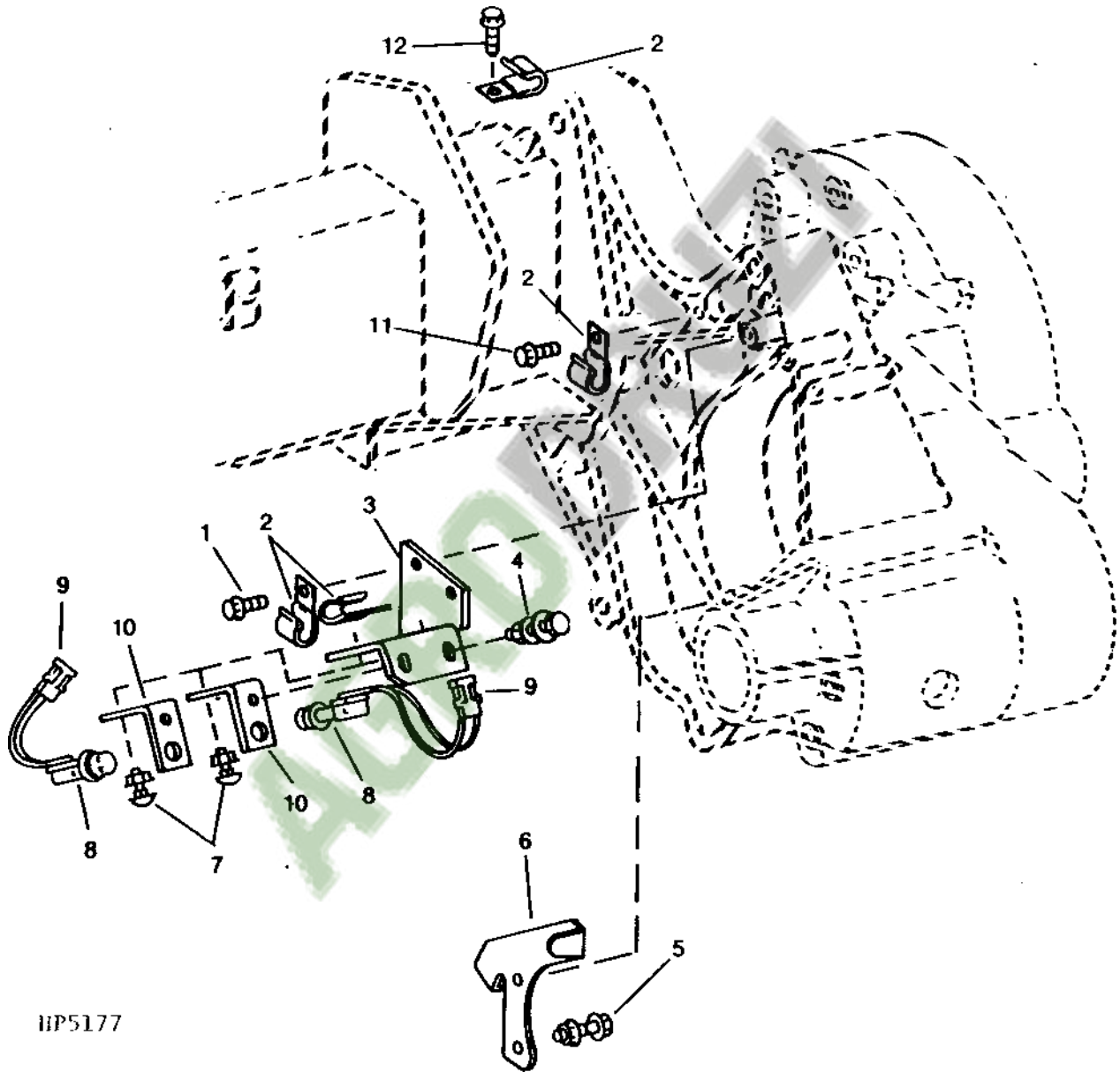
HP7290

KEY	PART NO.	PART NAME	QTY	SERIAL NO.	REMARKS
-----	----------	-----------	-----	------------	---------

AGRODRUZ

3G23

SIDEHILL LEVELING LIMIT SWITCH
HP5177 -UN-01JAN94



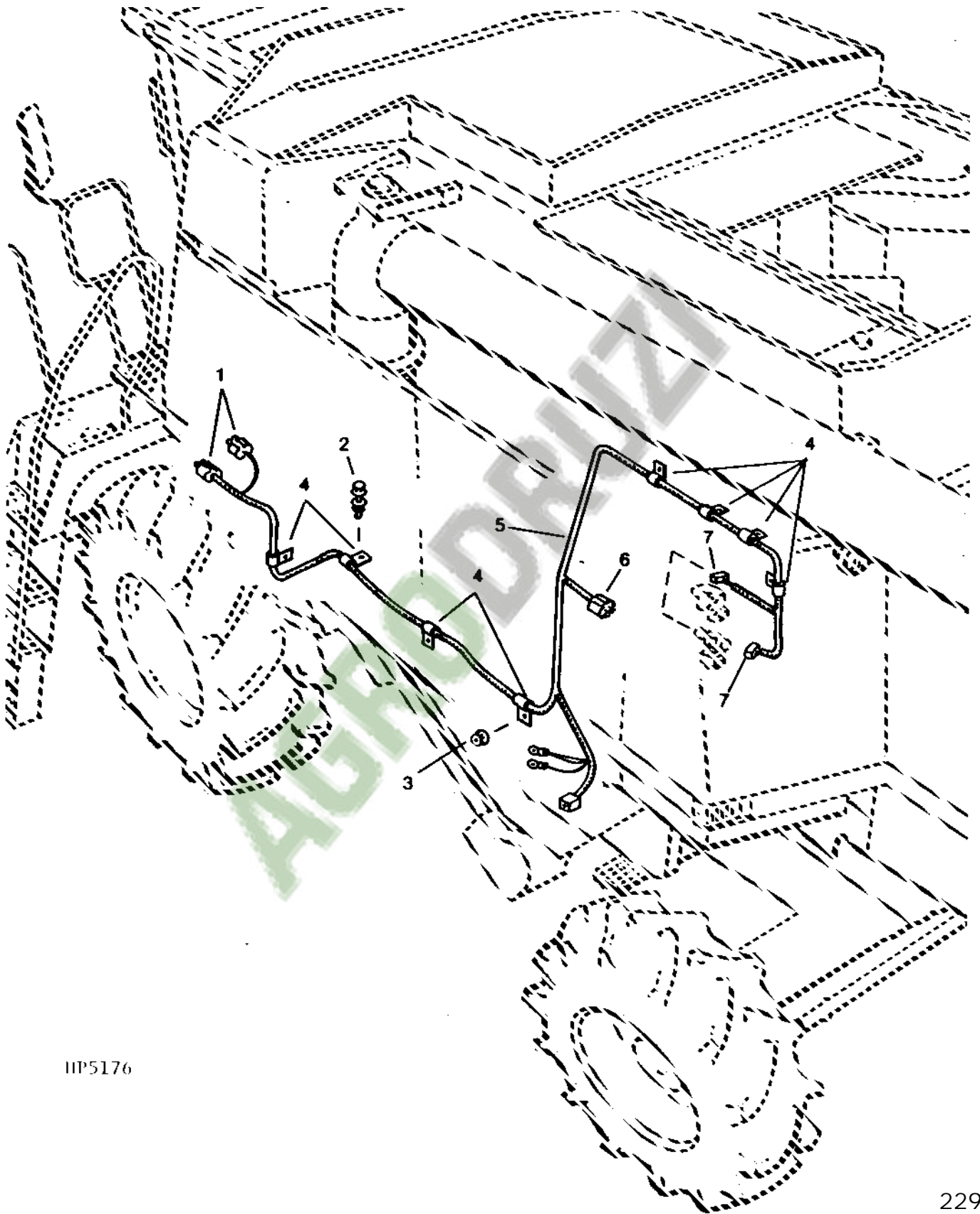
HP5177

3H1

ELECTRICAL

SIDEHILL LEVELING WIRING HARNESS

HP5176 -UN-01JAN94

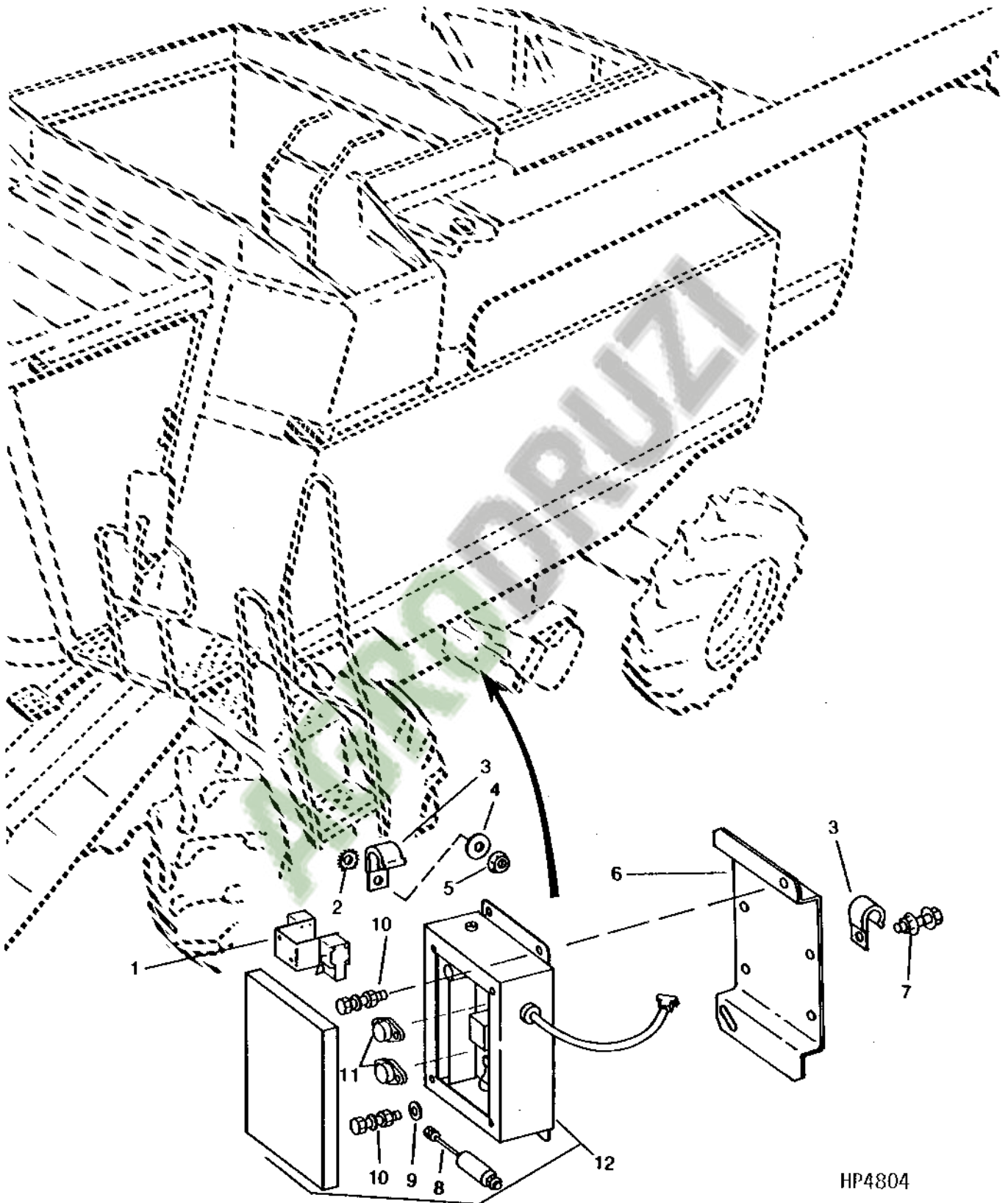


HP5176

229

3H3

LEVEL SENSING CONTROL BOX
HP4804 -UN-01JAN94

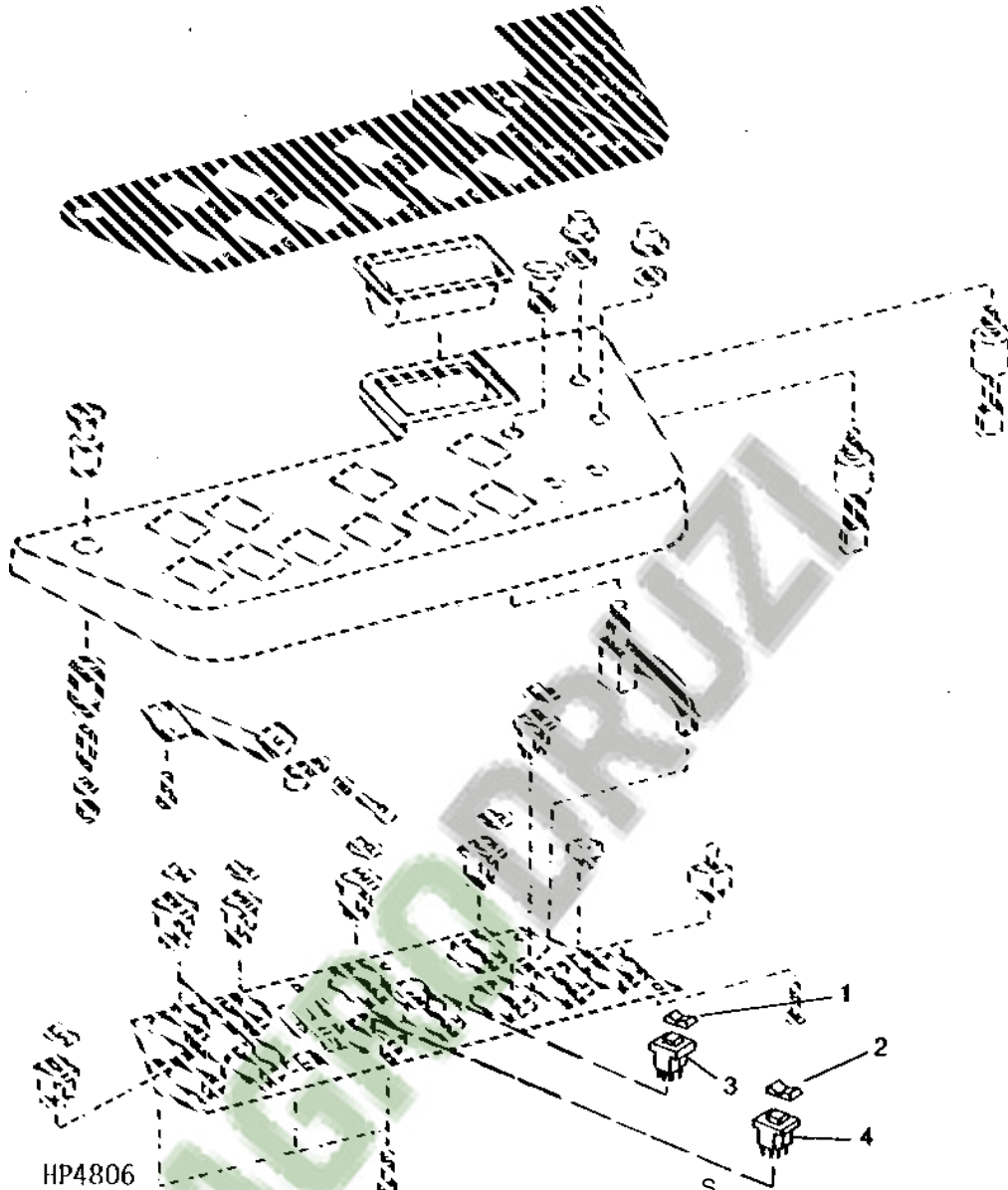


HP4804

3H5

ELECTRICAL

SIDEHILL LEVELING ROCKER SWITCHES
 HP4806 -UN-01JAN94

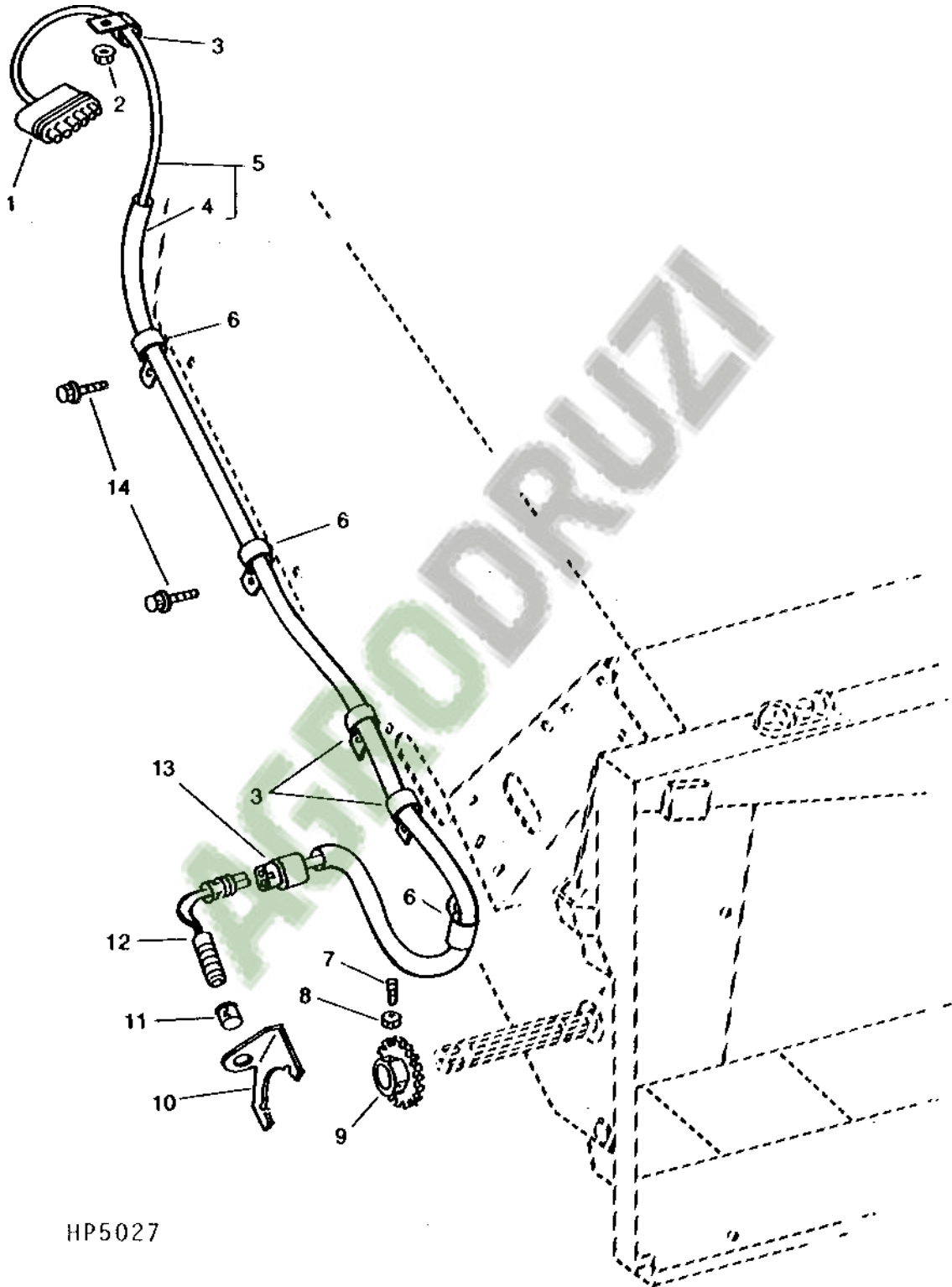


HP4806

S
I
9
5
0
0

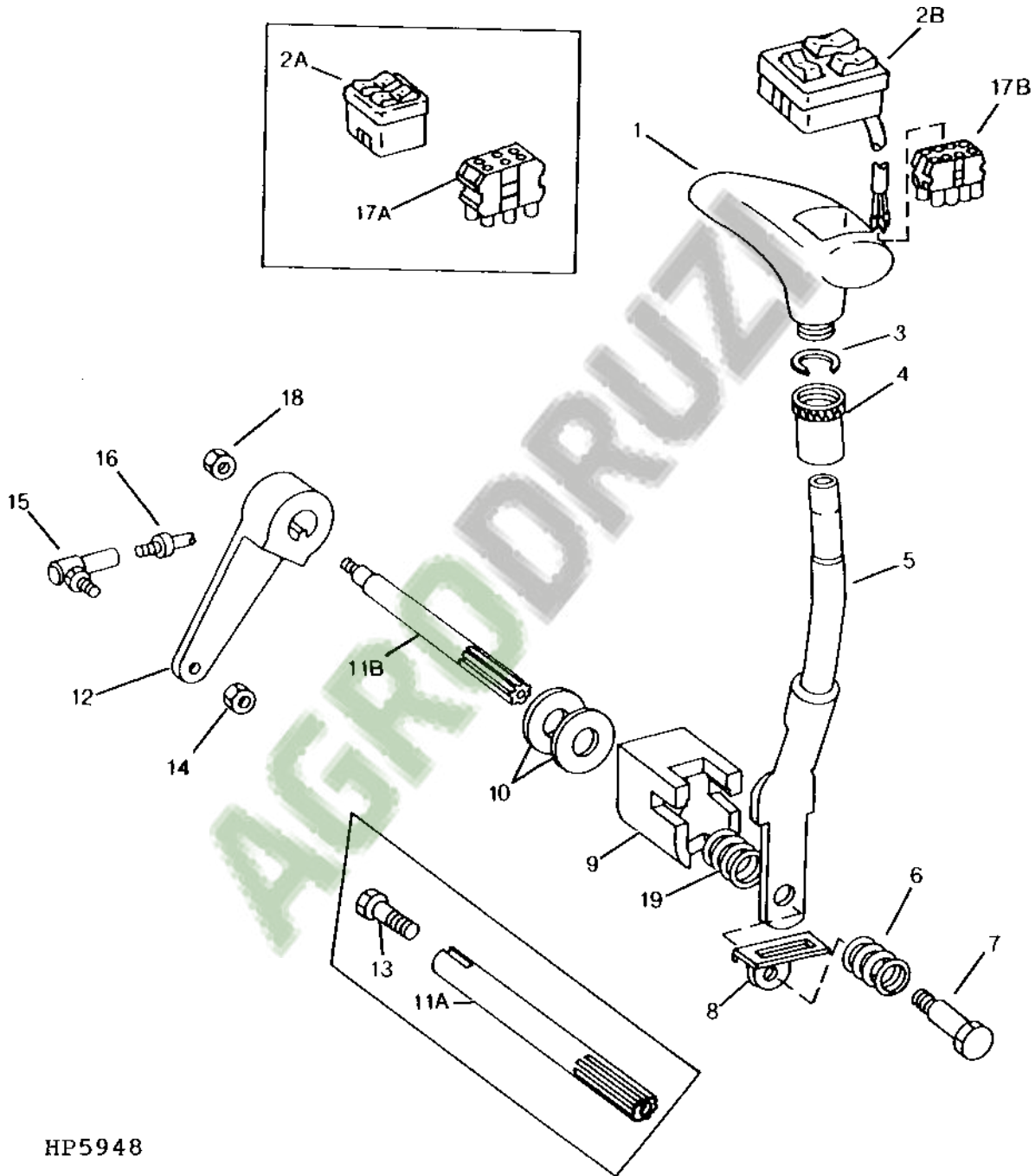
KEY	PART NO.	PART NAME	QTY	SERIAL NO.	REMARKS
				0 0	

FEEDER HOUSE BACKSHAFT SPEED SENSOR
HP5027 -UN-01JAN94



HP5027

HYDROSTATIC DRIVE LEVER, CABLE AND SWITCH
HP5948 -UN-02MAY95



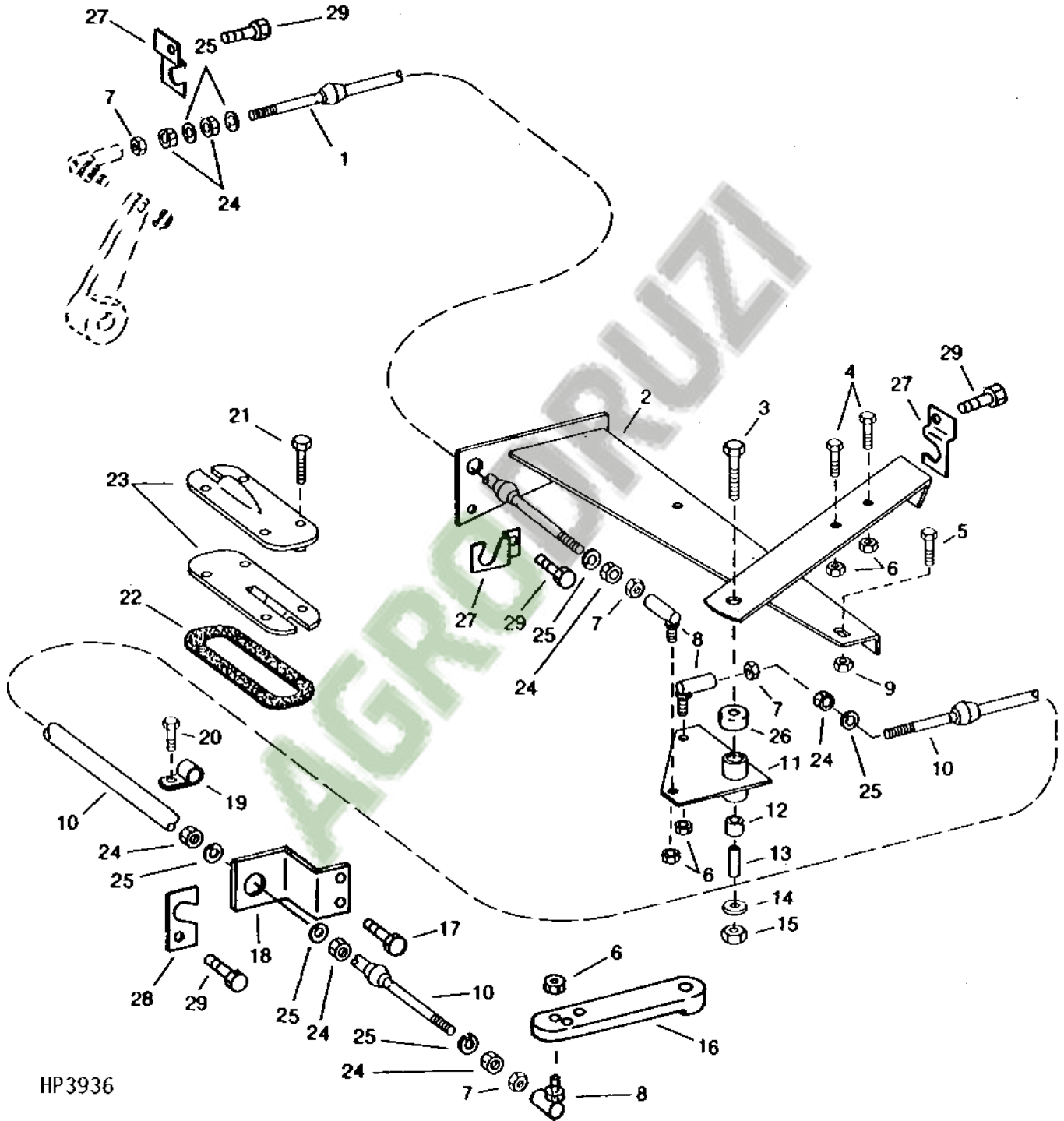
HP5948

4C9

HYDROSTATIC DRIVE CONTROL CABLES

(-645200)

HP3936 -UN-01JAN94

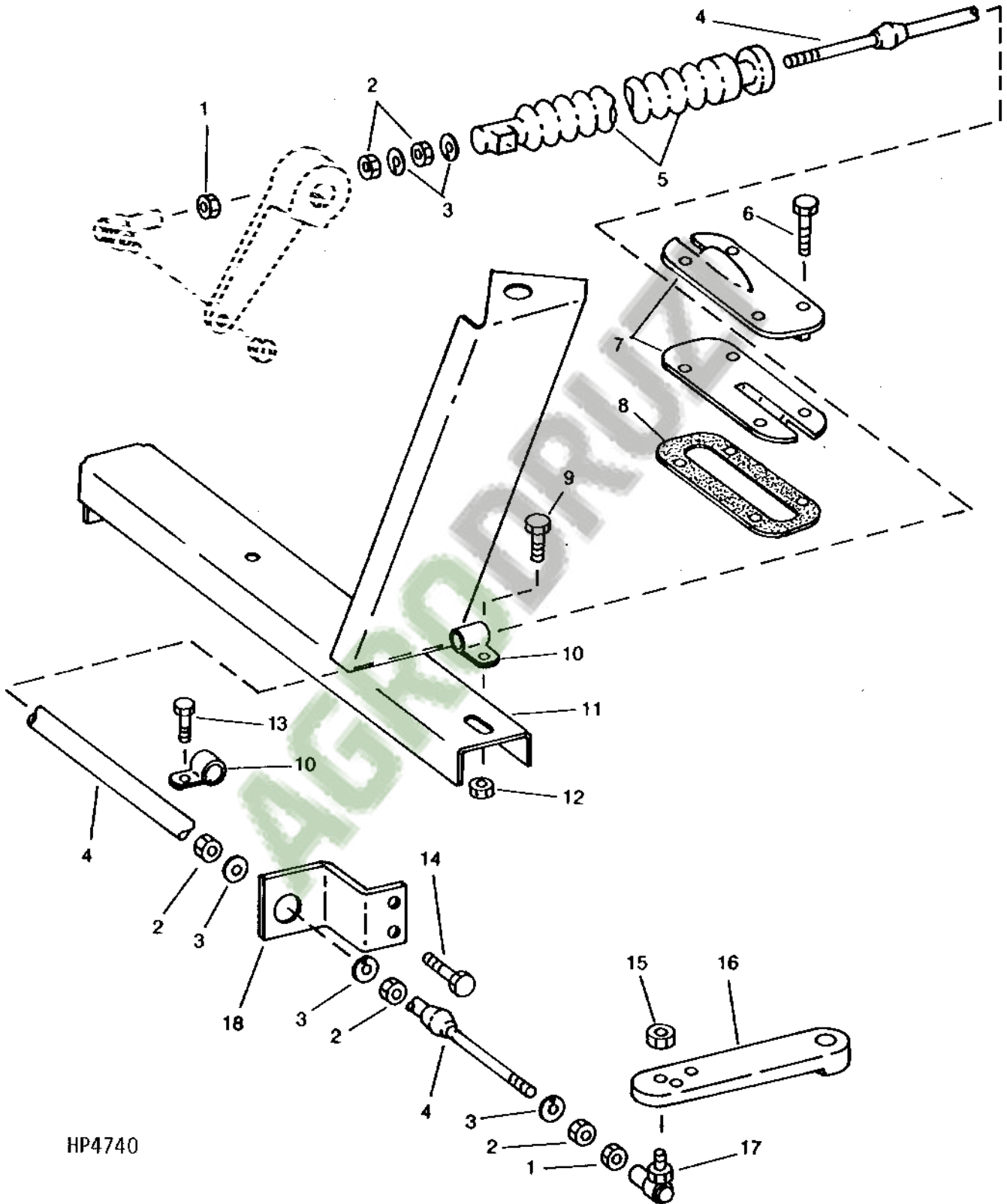


HP3936

4C11

HYDROSTATIC DRIVE CONTROL CABLE

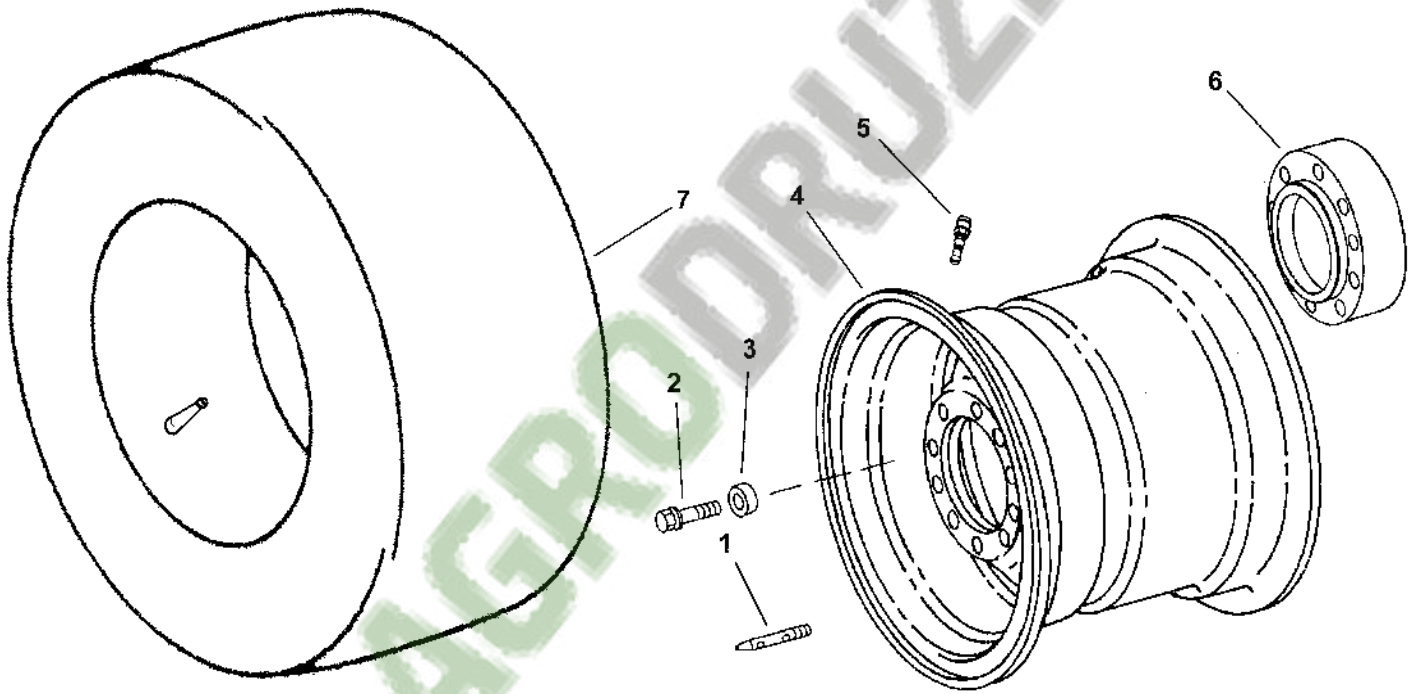
(645201-)
HP4740 -UN-01JAN94



HP4740

4C13

DRIVE WHEELS
HP7584 -UN-27JUL98

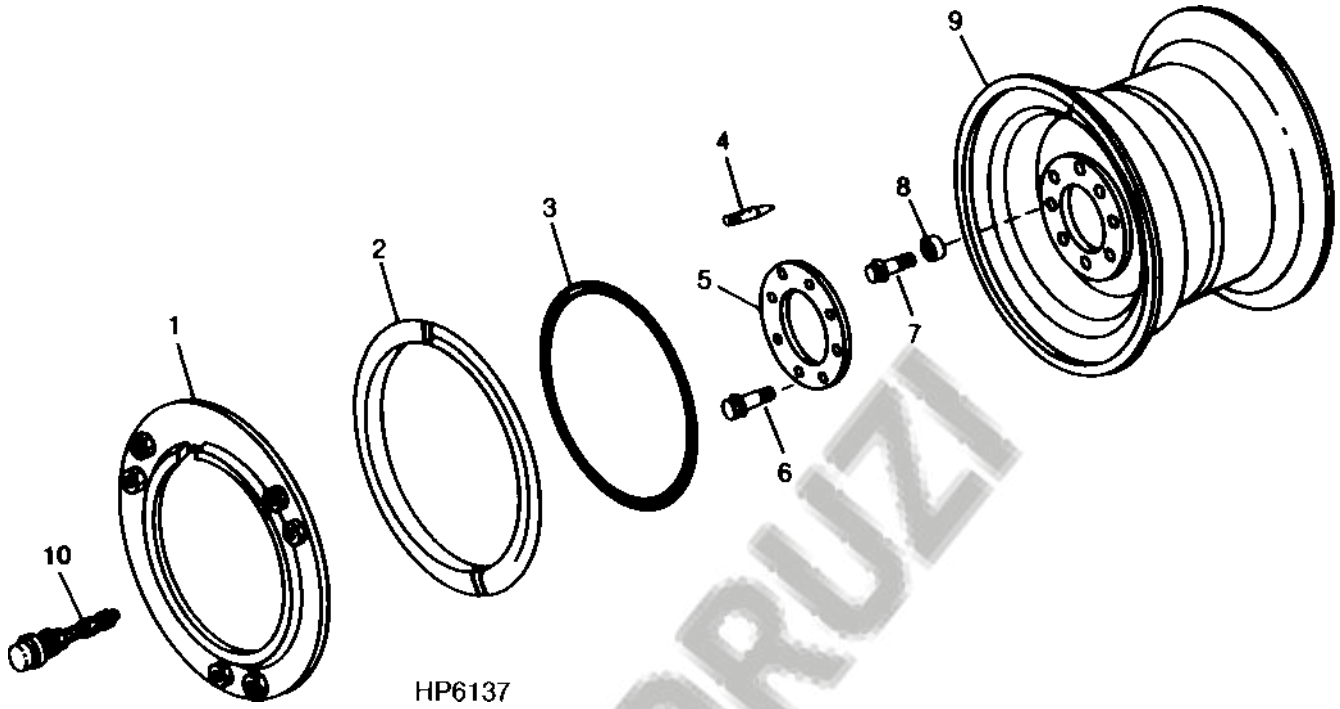


HP7584

4C15

HIGH FLOATION DRIVE WHEELS

(660201-)
 HP6137 -UN-23AUG95

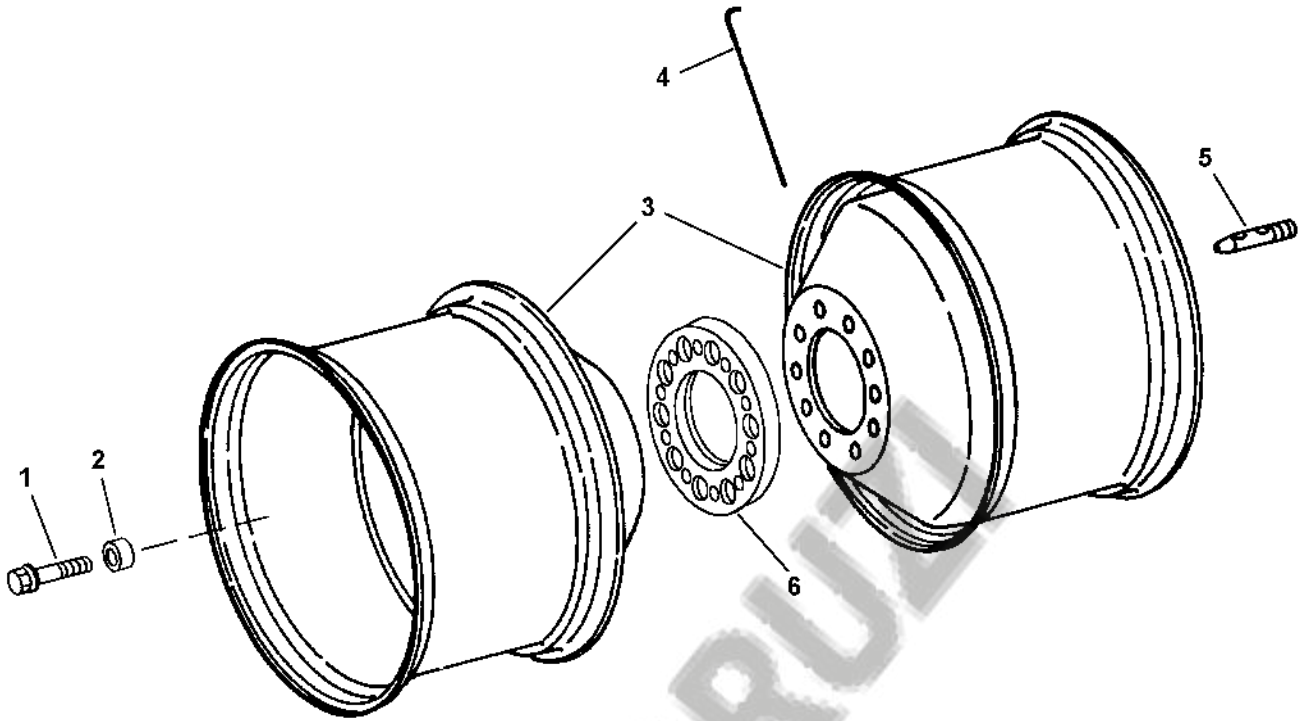


KEY	PART NO.	PART NAME	QTY	SERIAL NO.	REMARKS
				S	
				H	
				9	
				9	
				5	
				5	
				0	
				0	
				0	
				0	

AGRODRUZI

4C16

WIDE-SPACED DUAL WHEELS
HP7465 -UN-10MAR98



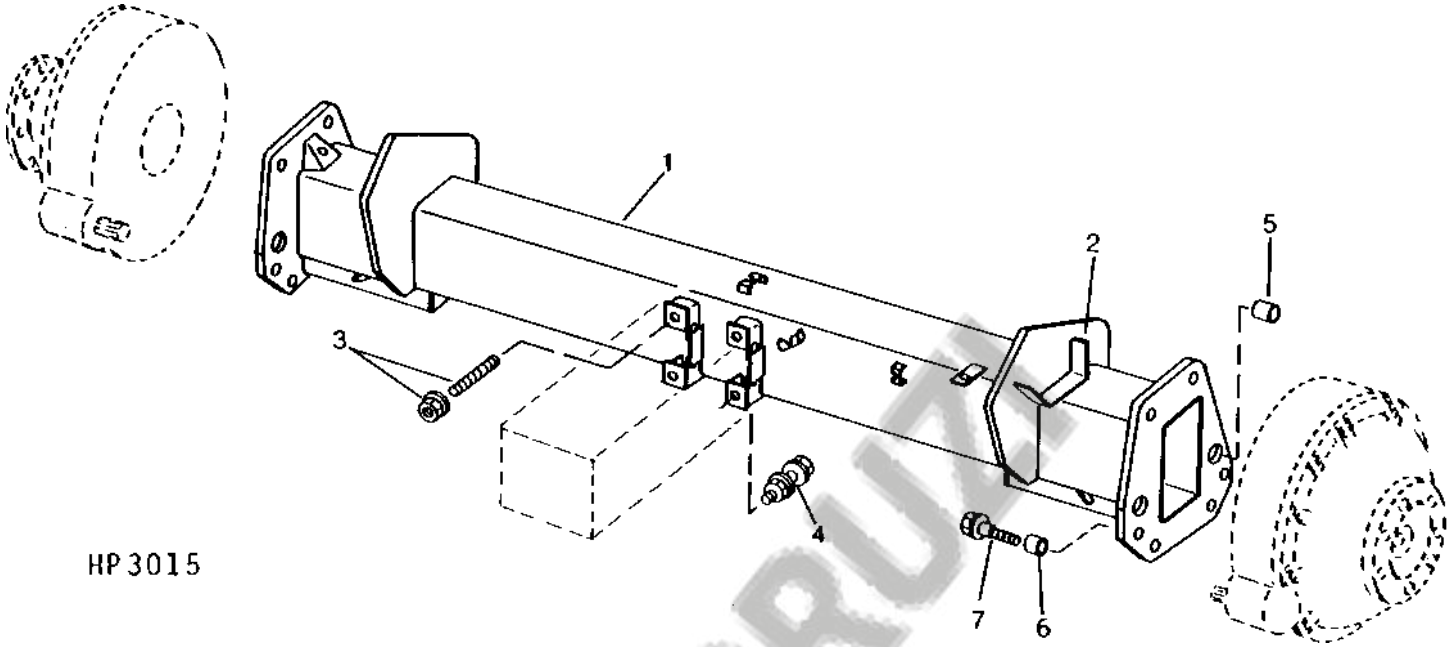
HP7465

KEY	PART NO.	PART NAME	QTY	SERIAL NO.	REMARKS
				S H 9 9 5 5 0 0 0 0	

AGRODRUM

4C17

FRONT AXLE
(RING AND PINION FINAL DRIVE)
HP3015 -UN-01JAN94



HP 3015

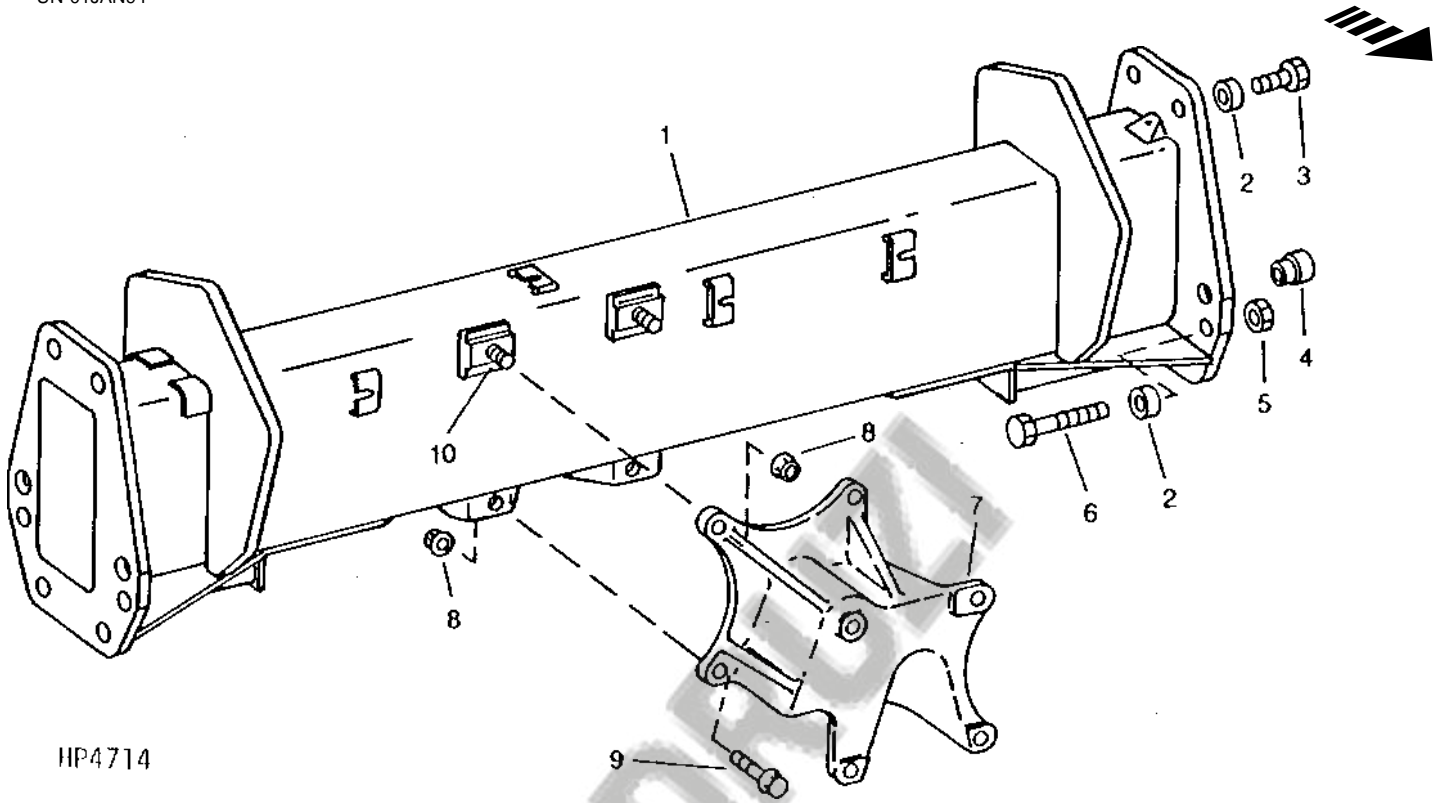
AGRODRIVE

KEY	PART NO.	PART NAME	QTY	SERIAL NO.	REMARKS
				S	
				I	
				9	
				9	
				5	
				5	
				0	
				0	
				0	
				0	

4C18

POWER TRAIN

FRONT AXLE (SIDEHILL)
 (RING AND PINION FINAL DRIVE)
 HP4714 -UN-01JAN94

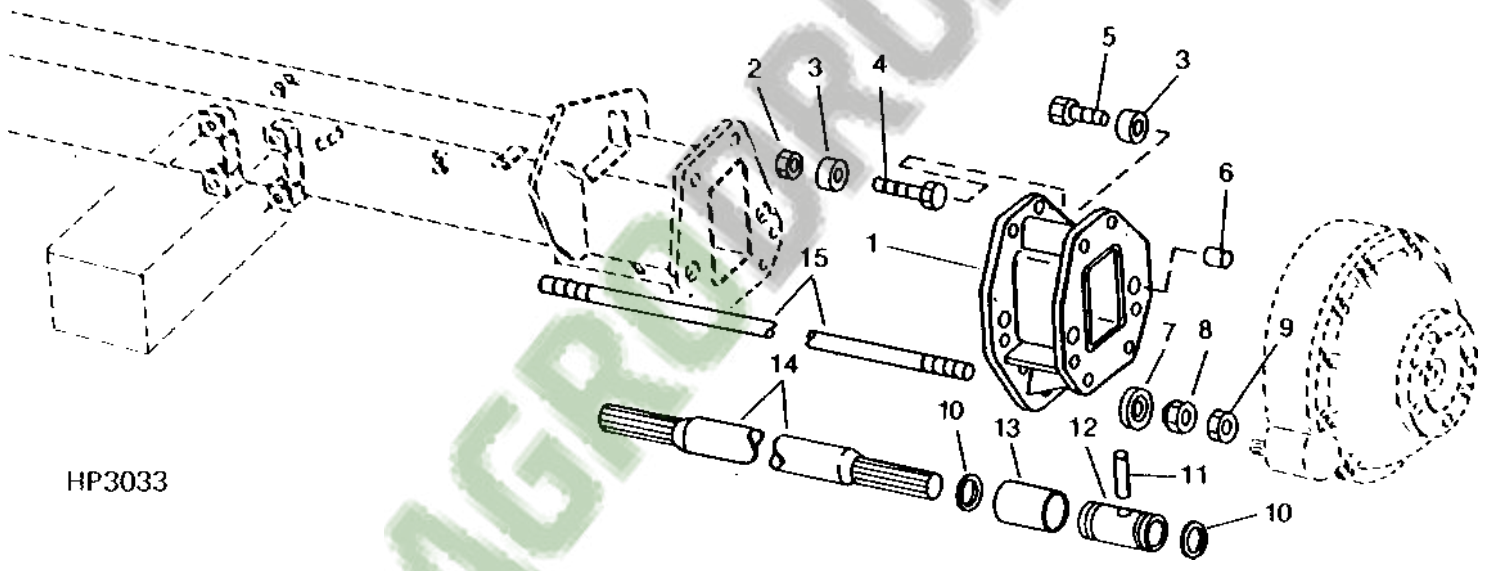


HP4714

KEY	PART NO.	PART NAME	QTY	SERIAL NO.	REMARKS
				S	
				H	
				9	
				5	
				0	
				0	

4C19

AXLE SPACERS (RING AND PINION FINAL DRIVE)
HP3033 -UN-01JAN94



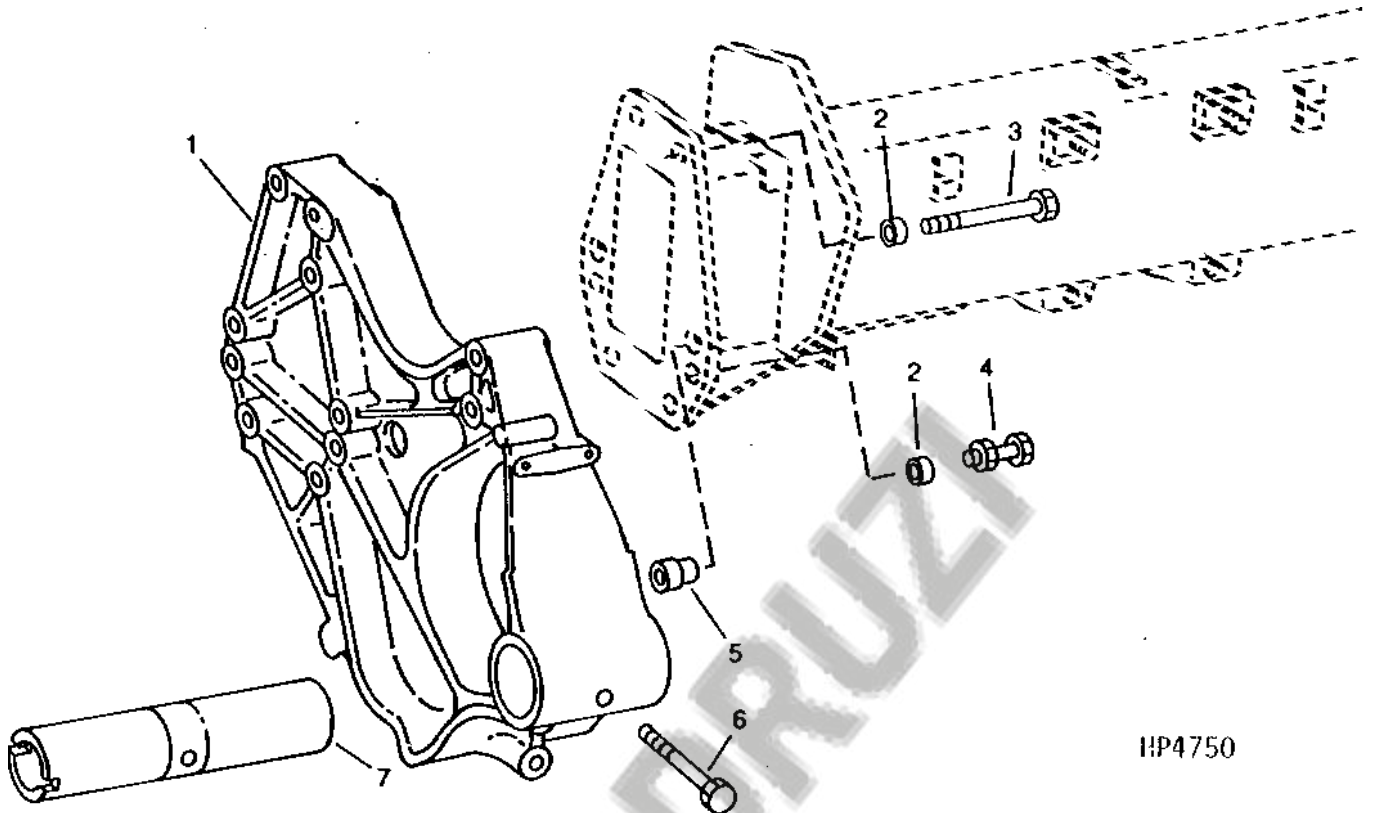
HP3033

4C21

POWER TRAIN

**FINAL DRIVE INNER CASTING AND PIVOT TUBE (SIDEHILL)
(RING AND PINION)**

HP4750 -UN-01JAN94

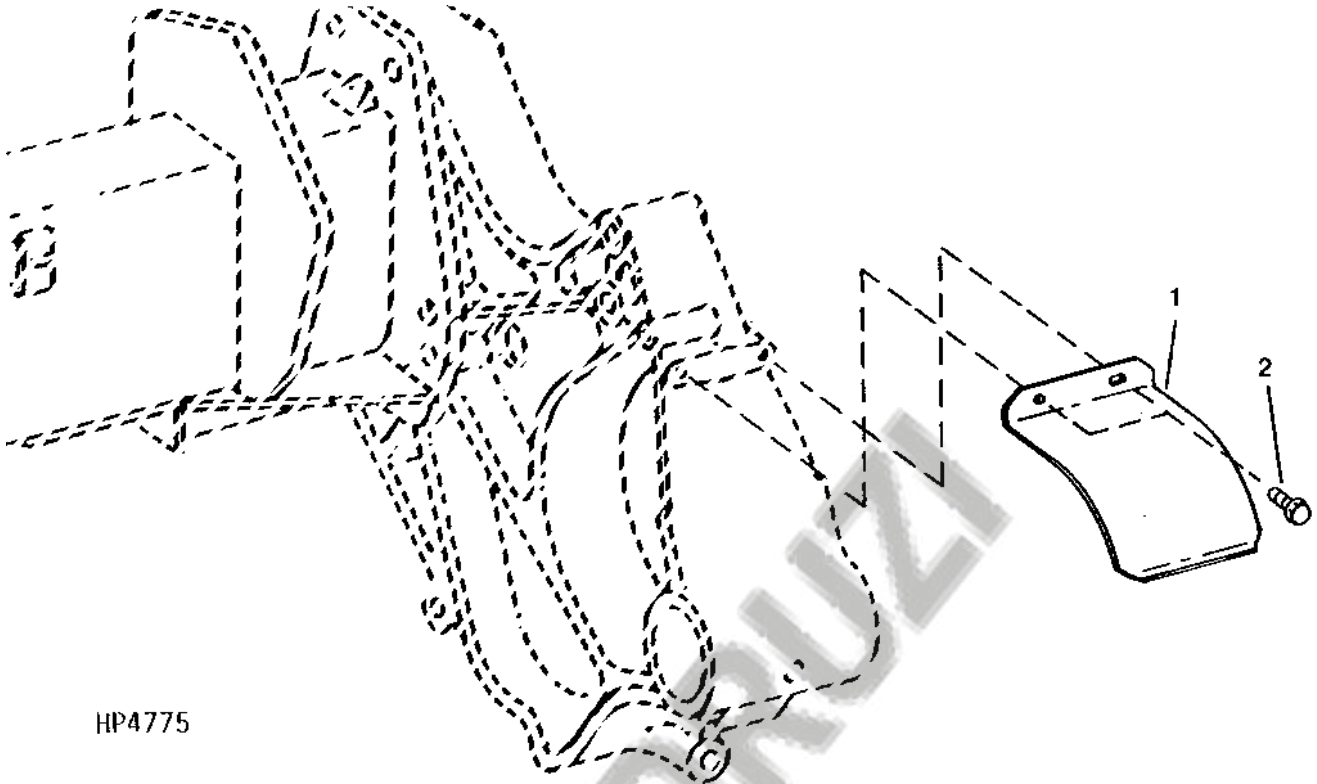


HP4750

KEY	PART NO.	PART NAME	QTY	SERIAL NO.	REMARKS
				S	
				H	
				9	
				5	
				0	
				0	

FINAL DRIVE SUPPORT SHIELD (SIDEHILL)

HP4775 -UN-01JAN94



HP4775

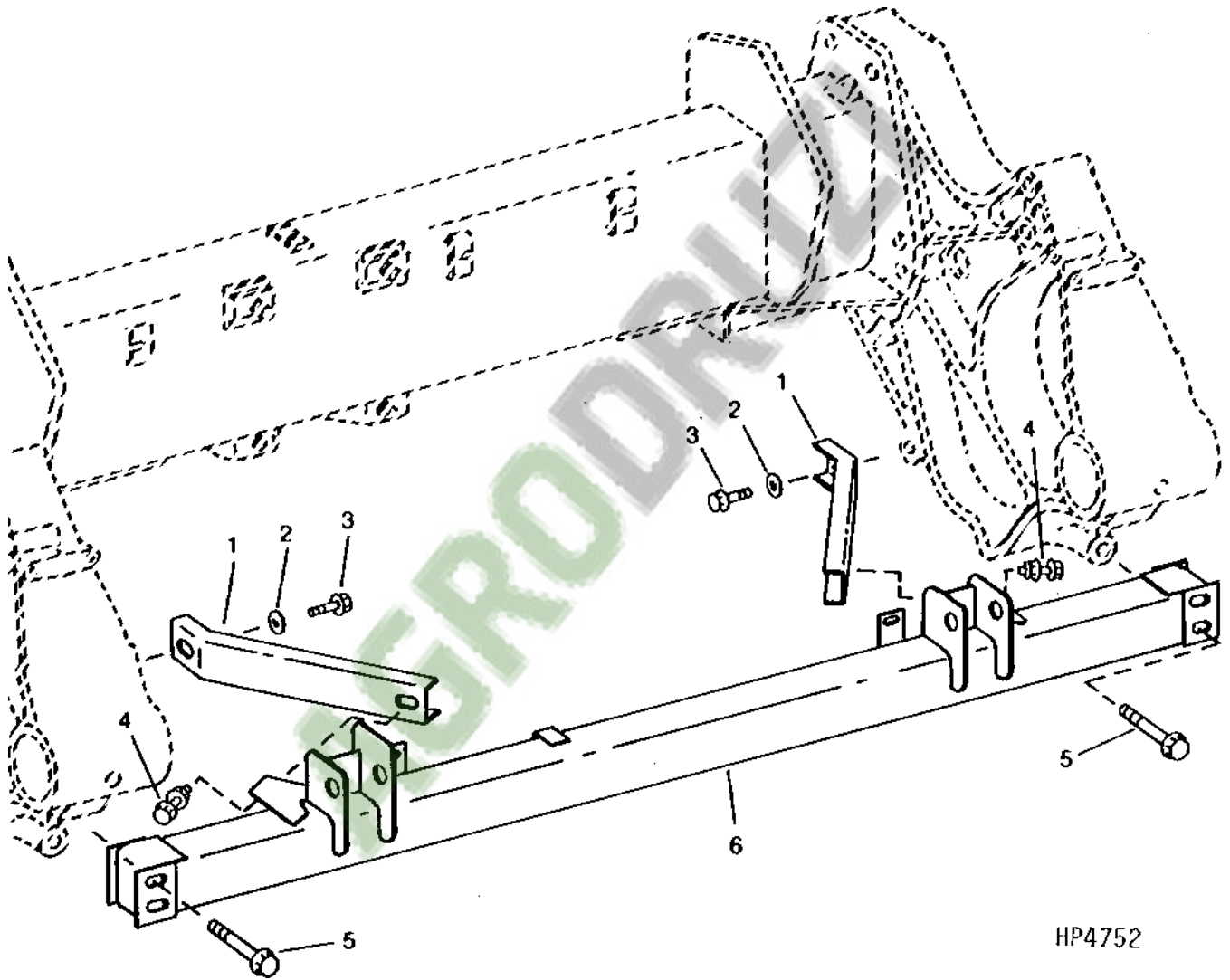
KEY	PART NO.	PART NAME	QTY	SERIAL NO.	REMARKS
				SH 99 55 00 00	

AGRODRIVE

4C23

HEADER LIFT SUPPORT (SIDEHILL)

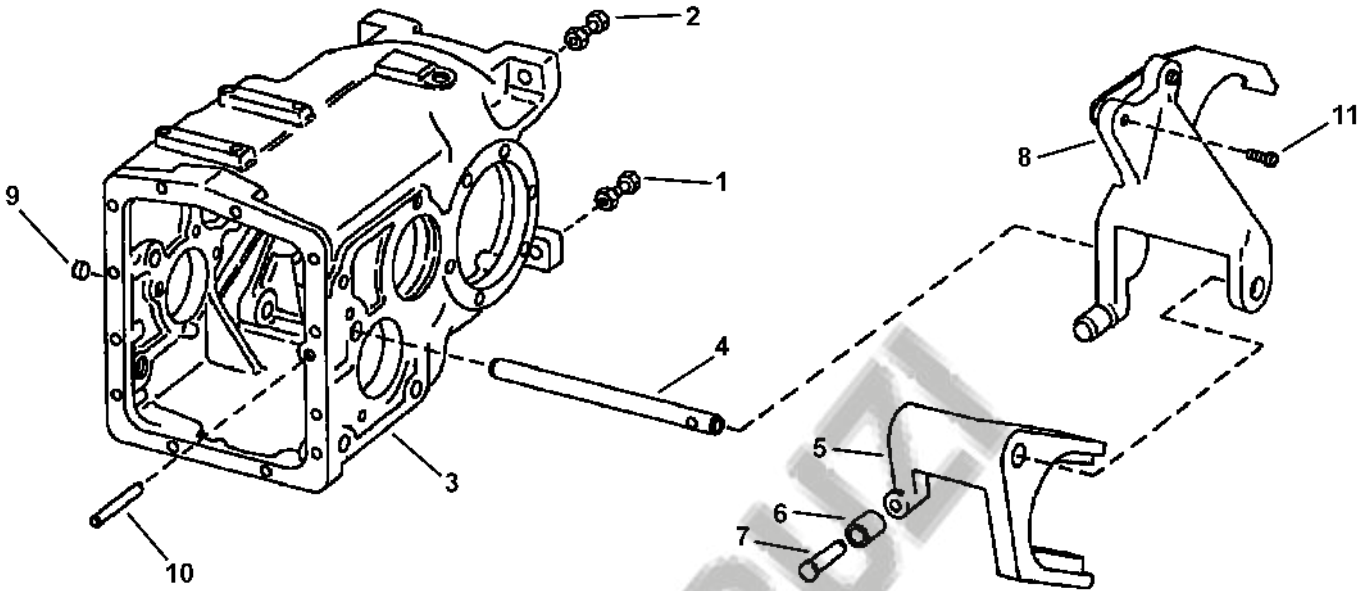
HP4752 -UN-01JAN94



HP4752

4C25

TRANSMISSION AND DIFFERENTIAL HOUSING AND SHIFTER FORKS
 HP7492 -UN-02APR98



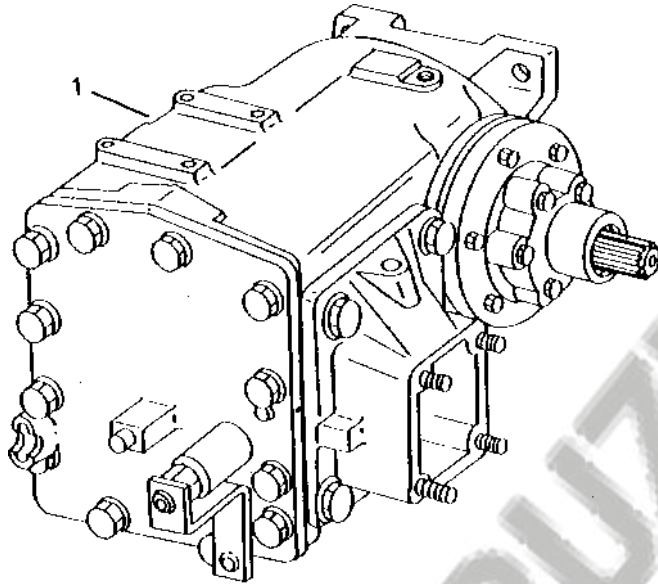
HP7492

KEY	PART NO.	PART NAME	QTY	SERIAL NO.	REMARKS
				S	
				H	
				9 9	
				5 5	
				0 0	
				0 0	

AGRODRIVE

4D1

TRANSMISSION
HP5722 -UN-01JAN94

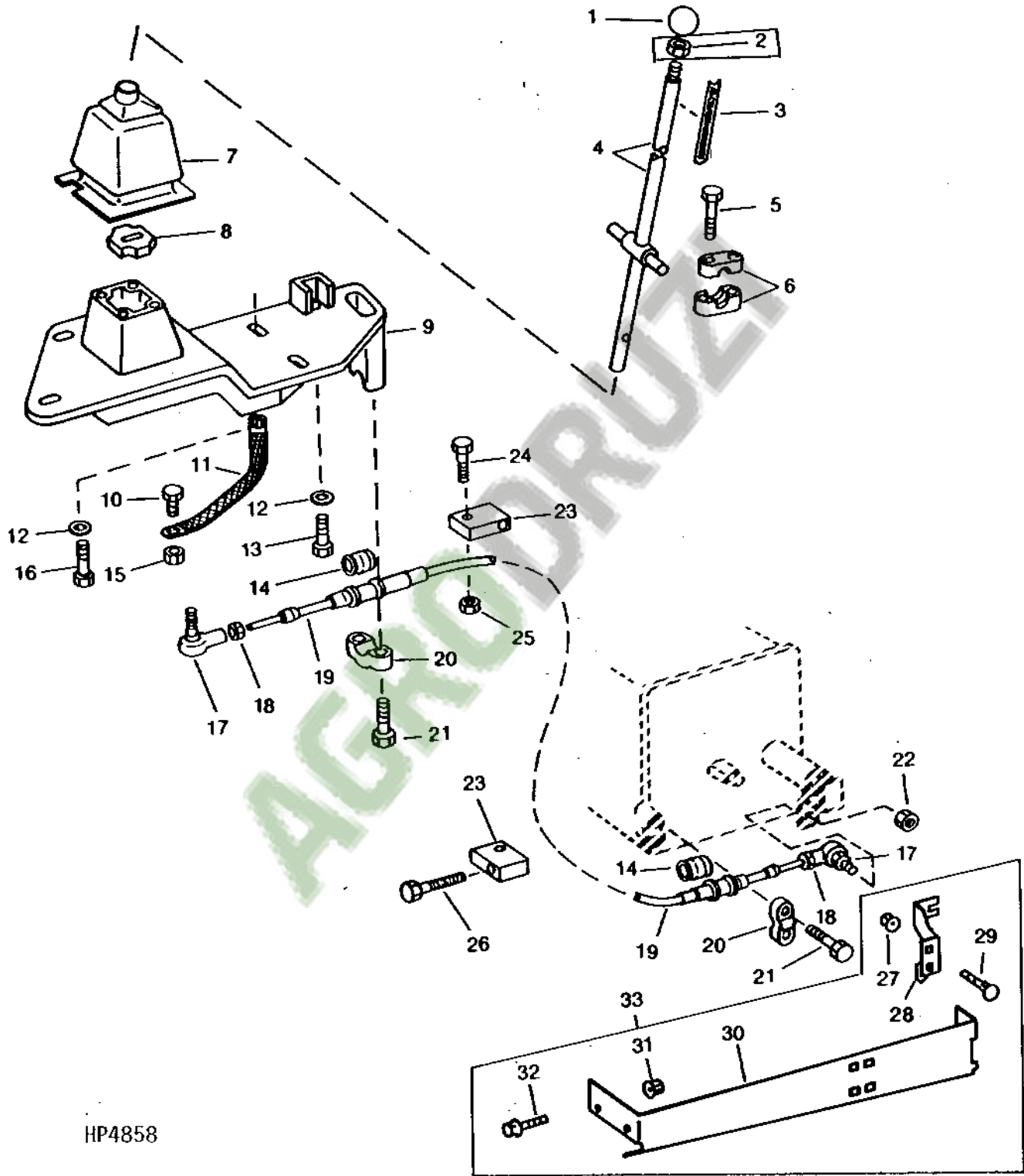


HP5722

KEY	PART NO.	PART NAME	QTY	SERIAL NO.	REMARKS
				S H 9 9 5 5 0 0 0 0	

AGRODRUZI

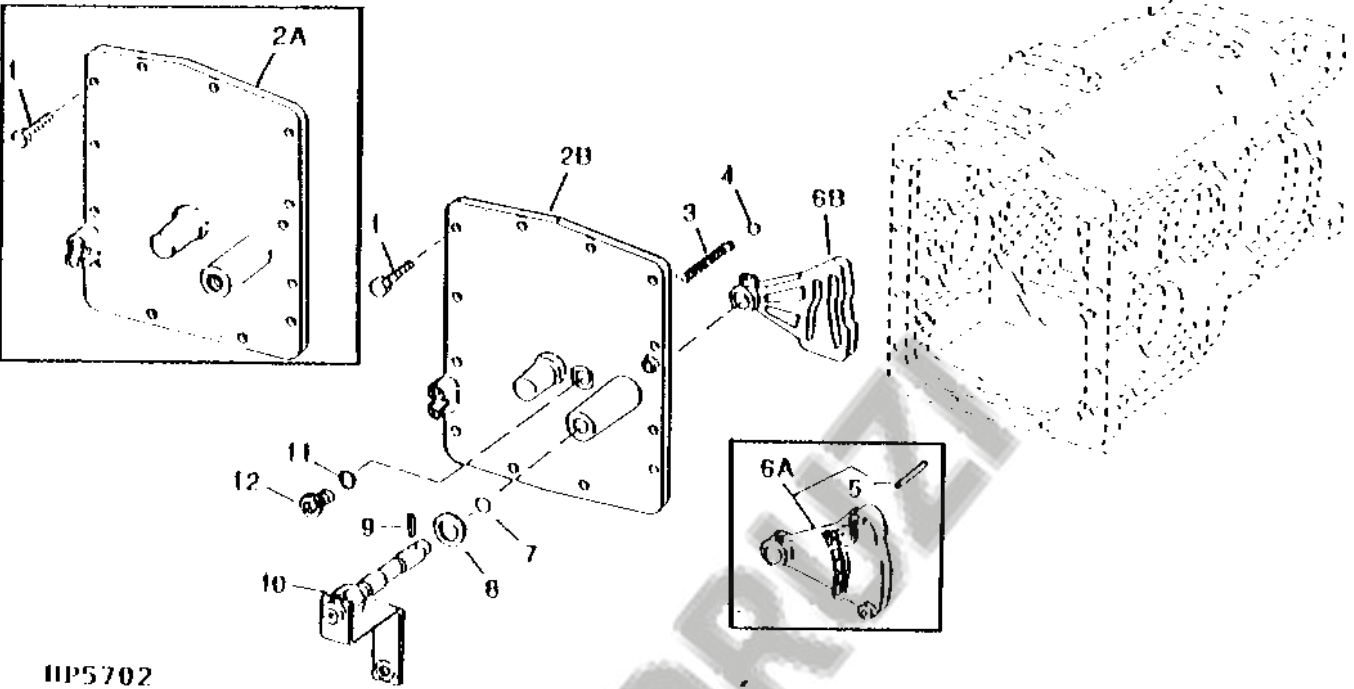
GEARSHIFT LEVER AND LINKAGE
HP4858 -UN-01JAN94



HP4858

4D4

TRANSMISSION AND DIFFERENTIAL HOUSING COVER, AND SHIFTER CAM
 HP5702 -UN-01JAN94



HP5702

S
H
9 9
5 5
0 0
0 0

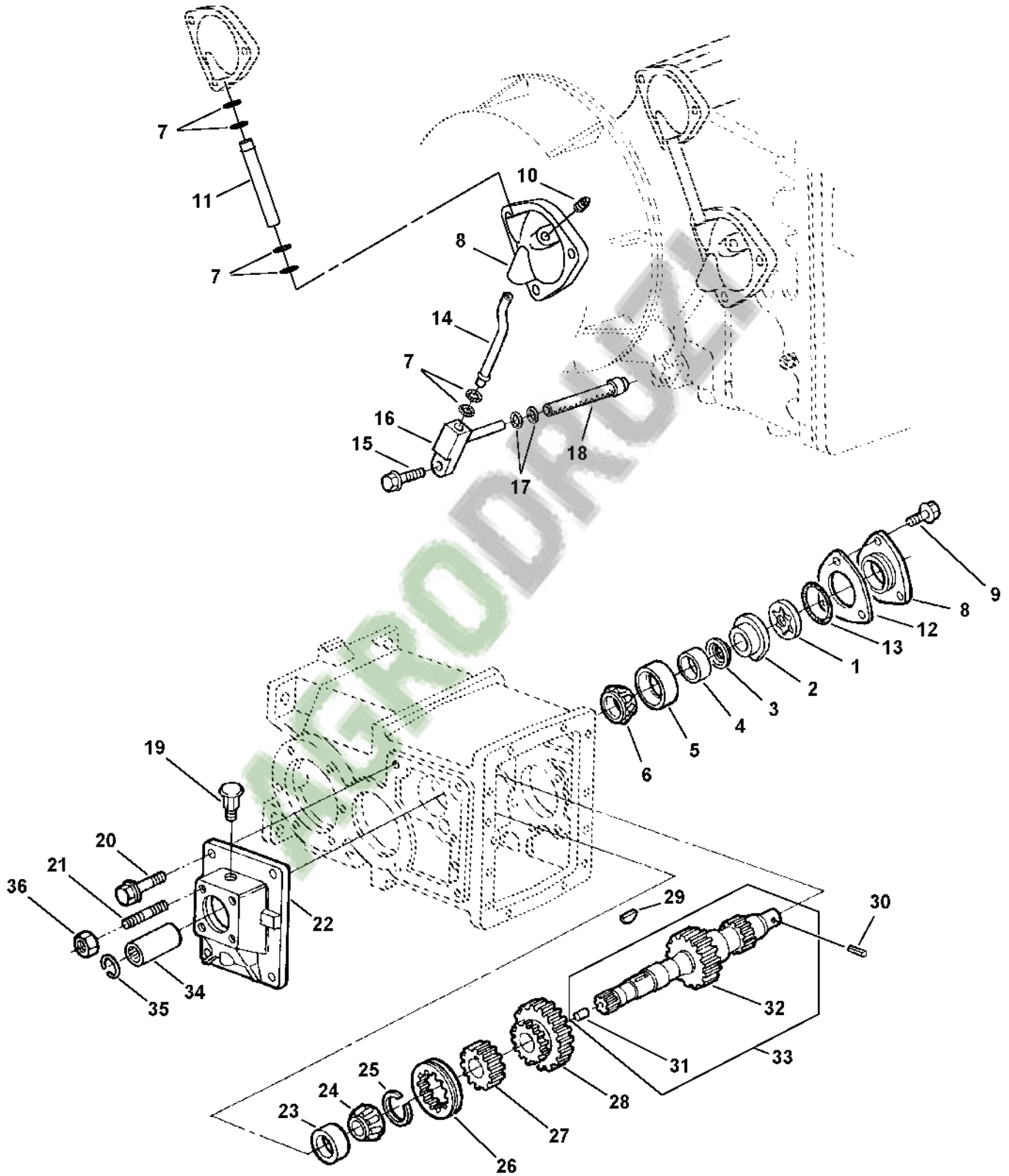
KEY	PART NO.	PART NAME	QTY	SERIAL NO.	REMARKS

AGRODRAMA

4D5

TRANSMISSION INPUT SHAFT, GEARS, LUBE PUMP AND BEARINGS

HP7499 -UN-15APR98

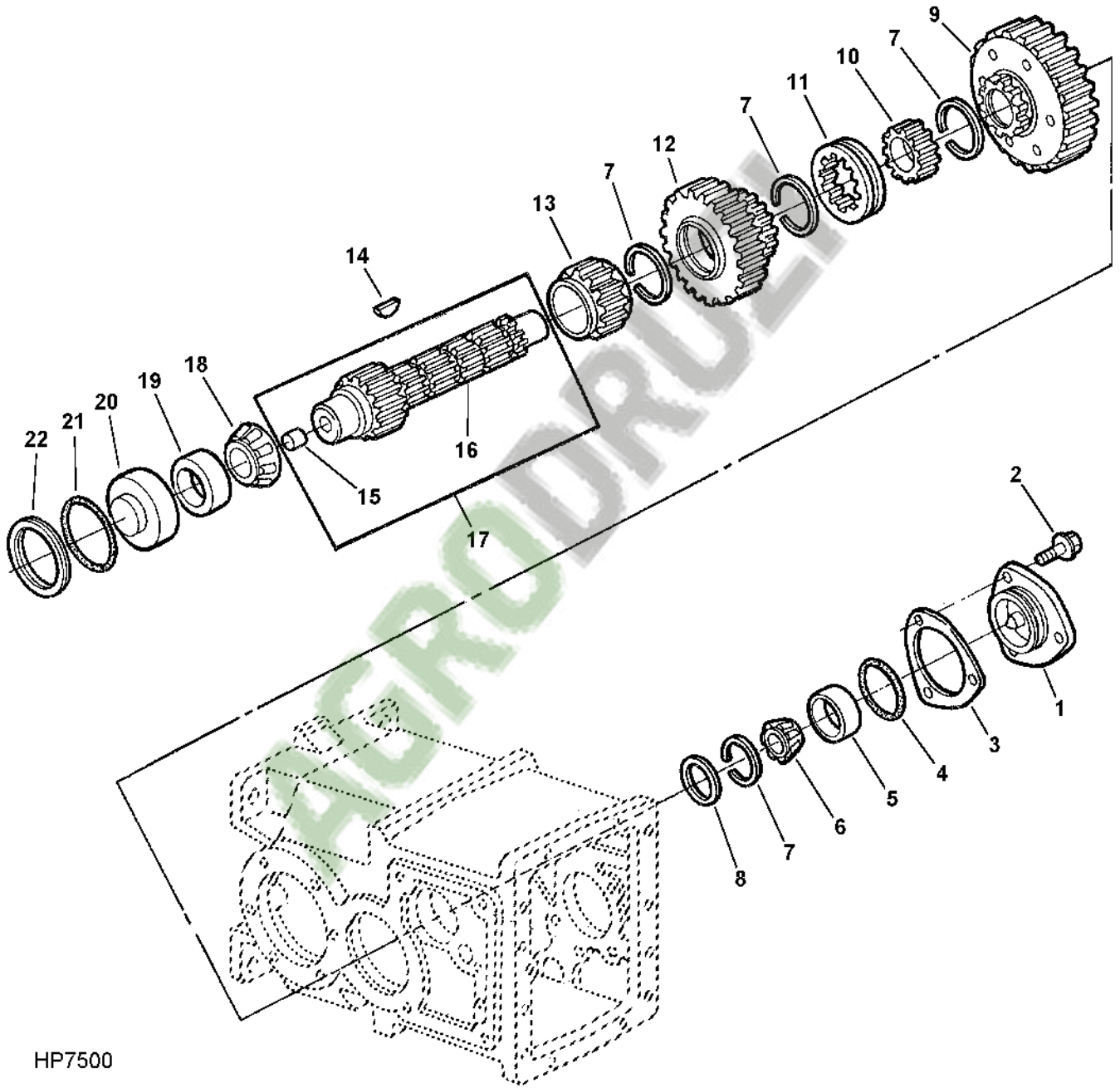


HP7499

249

4D7

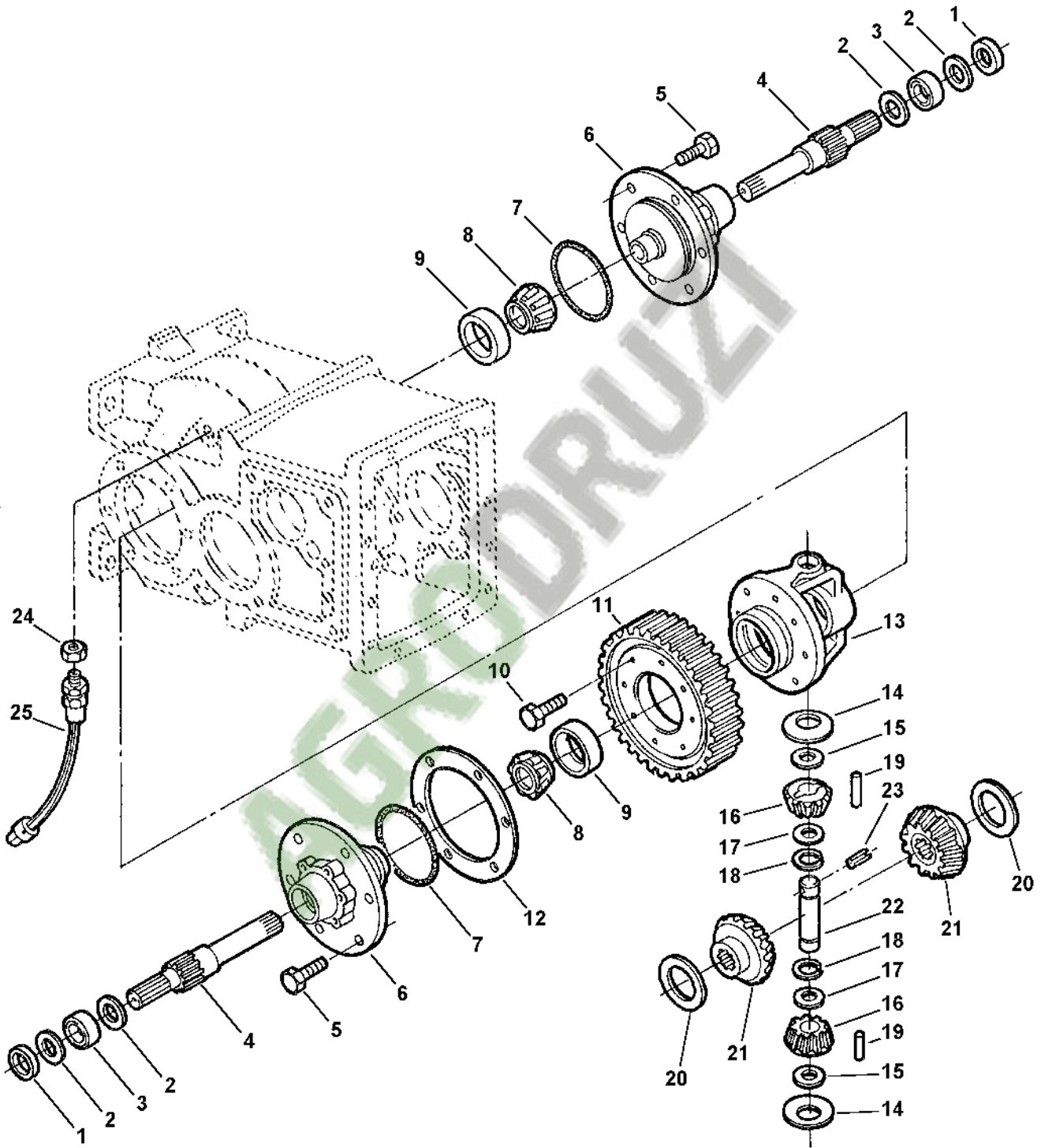
TRANSMISSION PINION SHAFT, GEARS AND BEARINGS
HP7500 -UN-30MAR98



HP7500

4D9

DIFFERENTIAL GEARS AND SHAFTS
HP7501 -UN-30MAR98

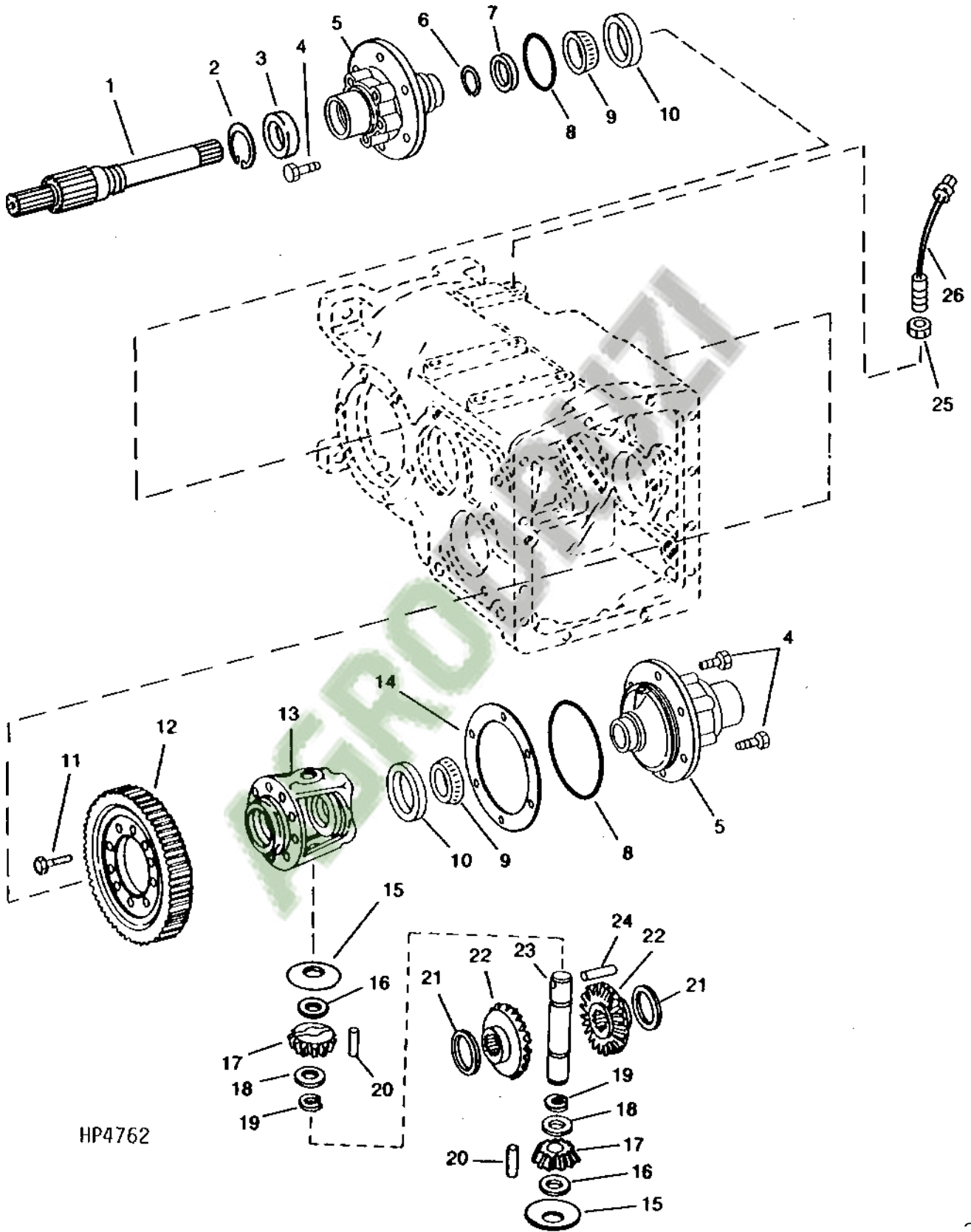


HP7501

4D11

DIFFERENTIAL GEARS AND SHAFTS (SIDEHILL)

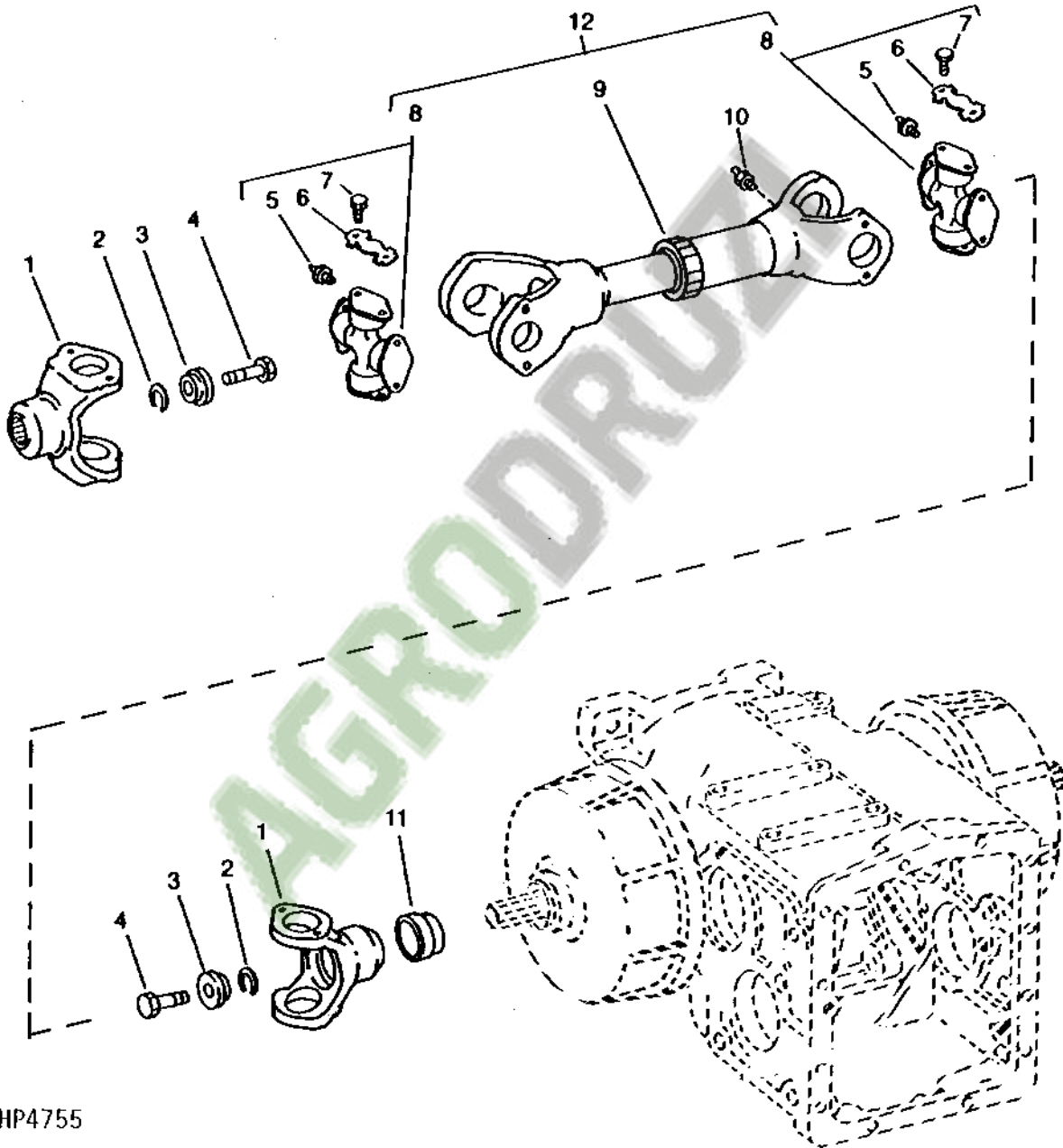
HP4762 -UN-01JAN94



HP4762

4D13

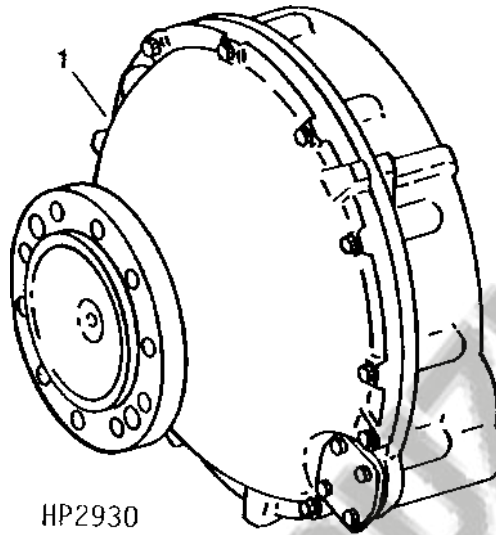
FINAL DRIVE SHAFTS (SIDEHILL)
(RIGHT-HAND SIDE ILLUSTRATED)
HP4755 -UN-01JAN94



HP4755

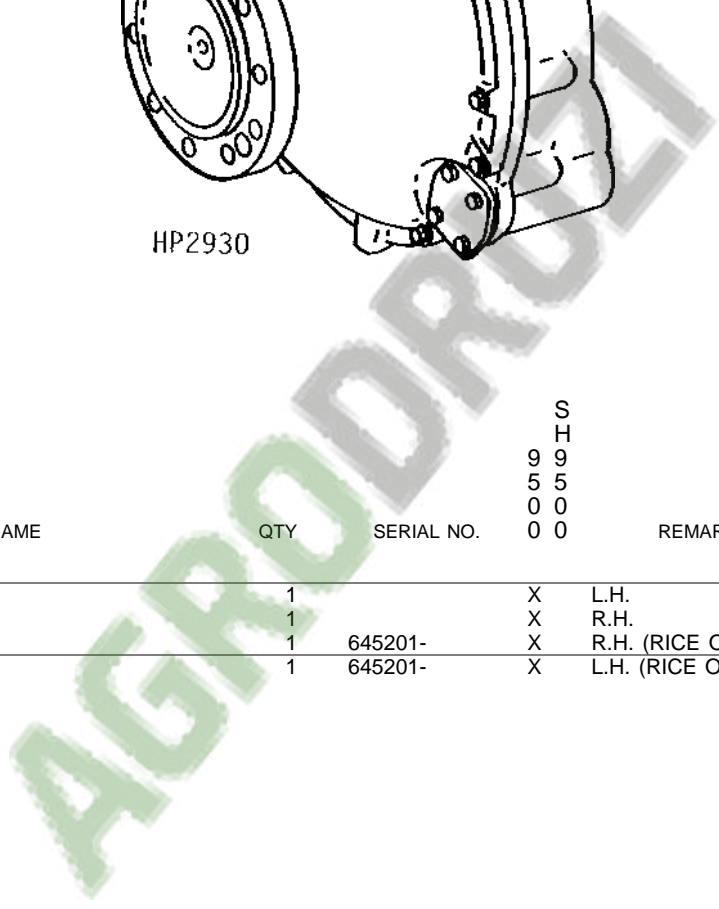
4D15

FINAL DRIVE (RING AND PINION)
HP2930 -UN-01JAN94



HP2930

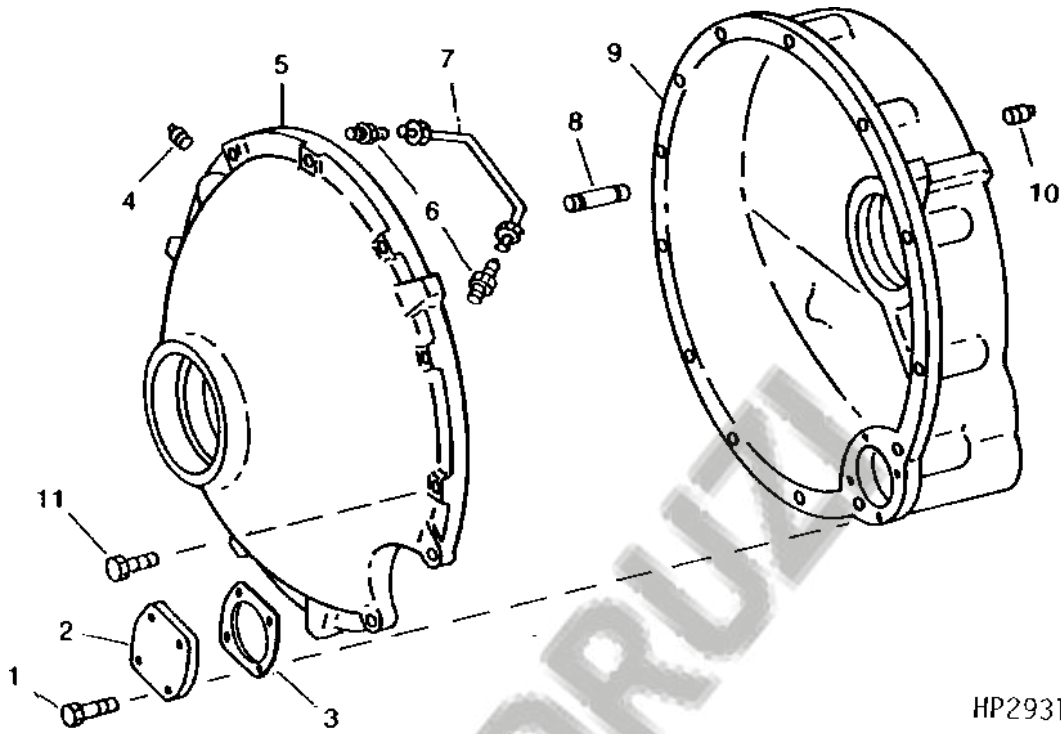
KEY	PART NO.	PART NAME	QTY	SERIAL NO.	S H 9 5 0 0	REMARKS
1	AH121922	GEAR	1		X	L.H.
	AH121923	GEAR	1		X	R.H.
	AH137754	GEAR	1	645201-	X	R.H. (RICE ONLY) (HIGH CLEARANCE)
	AH137755	GEAR	1	645201-	X	L.H. (RICE ONLY) (HIGH CLEARANCE)



4D16

**FINAL DRIVE HOUSING AND BEARING CAP
(RING AND PINION)**

HP2931 -UN-01JAN94



HP2931

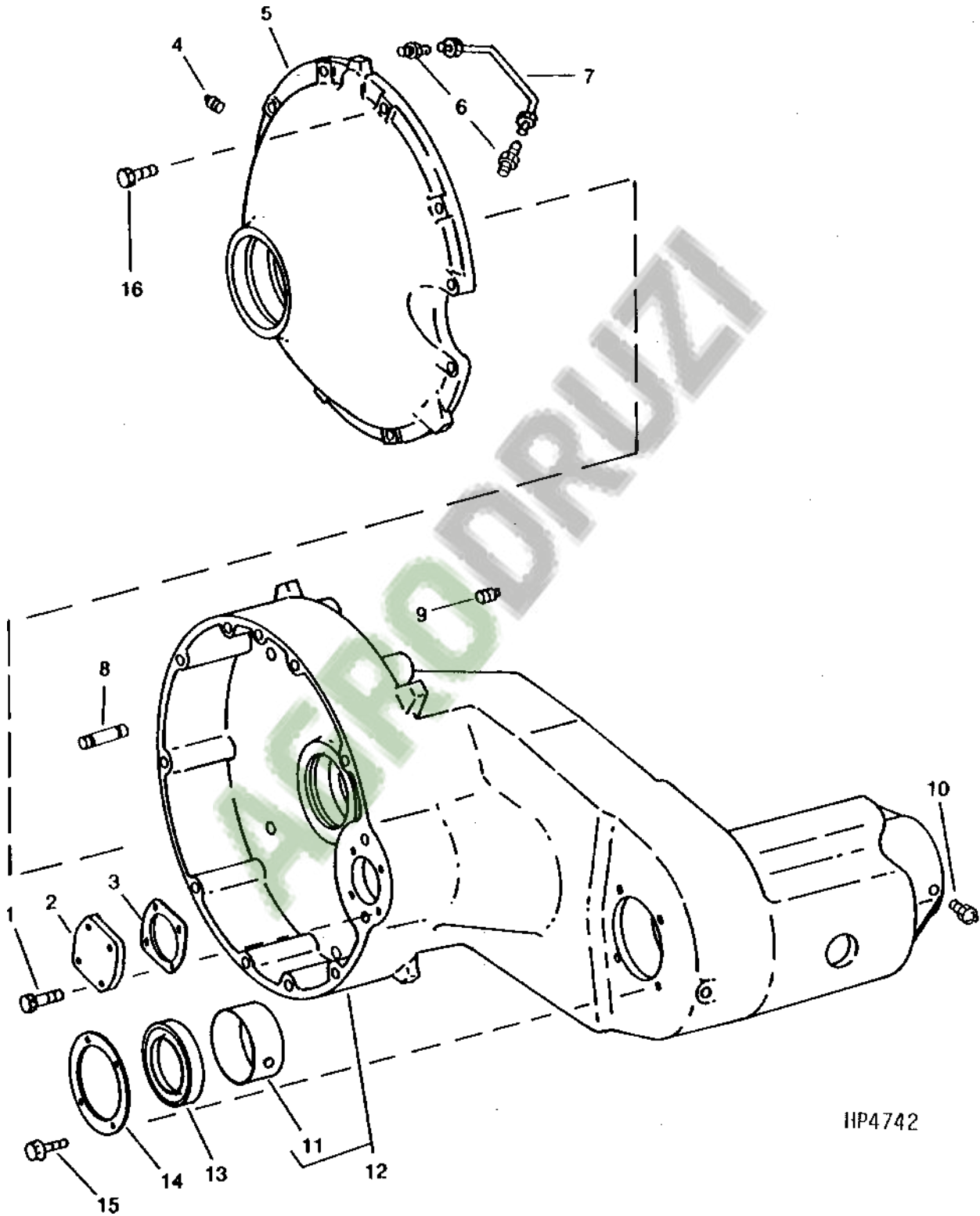
KEY	PART NO.	PART NAME	QTY	SERIAL NO.	REMARKS
				995000	

S
H
995000

AGRO DRUM

4D17

**FINAL DRIVE HOUSING AND BEARING CAP
(RING AND PINION) (SIDEHILL)**
HP4742 -UN-01JAN94

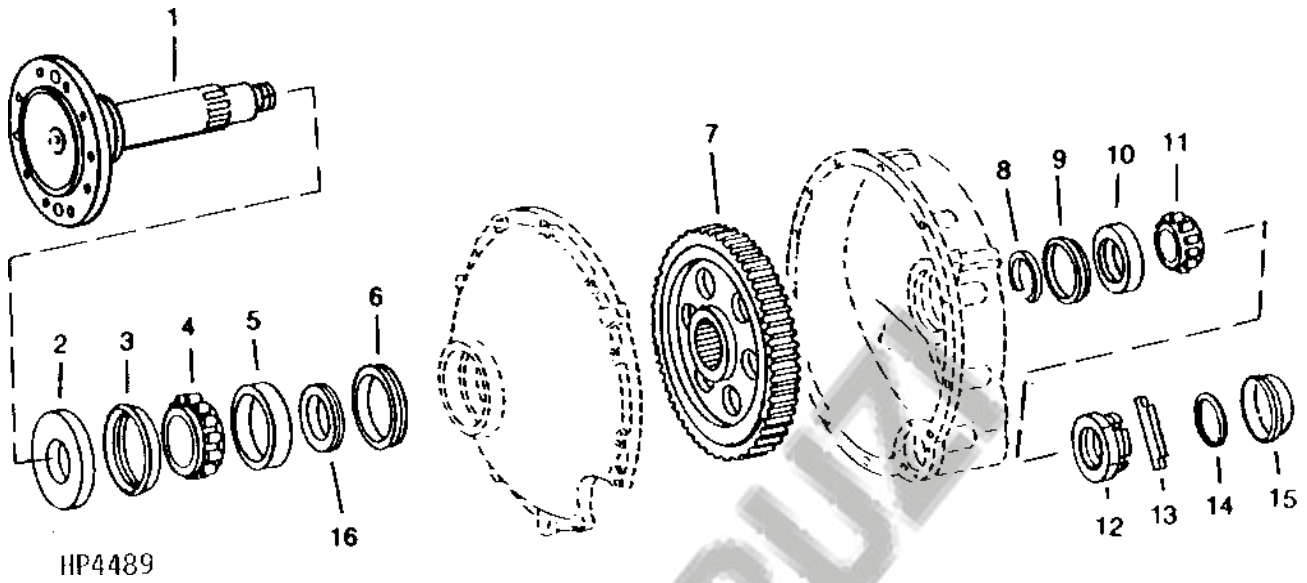


HP4742

4D19

FINAL DRIVE AXLE, GEAR AND BEARINGS (RING AND PINION)

HP4489 -UN-01JAN94



HP4489

KEY	PART NO.	PART NAME	QTY	SERIAL NO.	REMARKS
-----	----------	-----------	-----	------------	---------

S
H
9 9
5 5
0 0
0 0

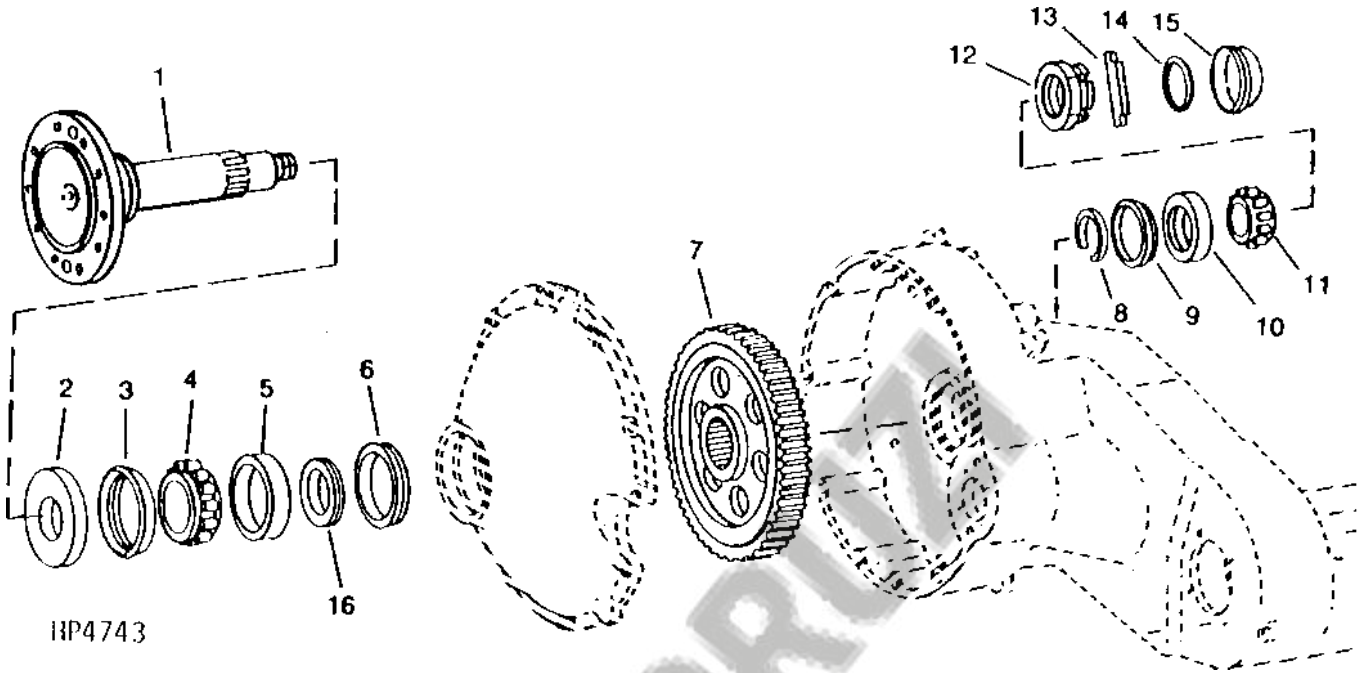
AGRODRU

4D20

FINAL DRIVE AXLE, GEAR AND BEARINGS (RING AND PINION)

(SIDEHILL)

HP4743 -UN-01JAN94



HP4743

KEY	PART NO.	PART NAME	QTY	SERIAL NO.	REMARKS
-----	----------	-----------	-----	------------	---------

S
H
9
5
0
0

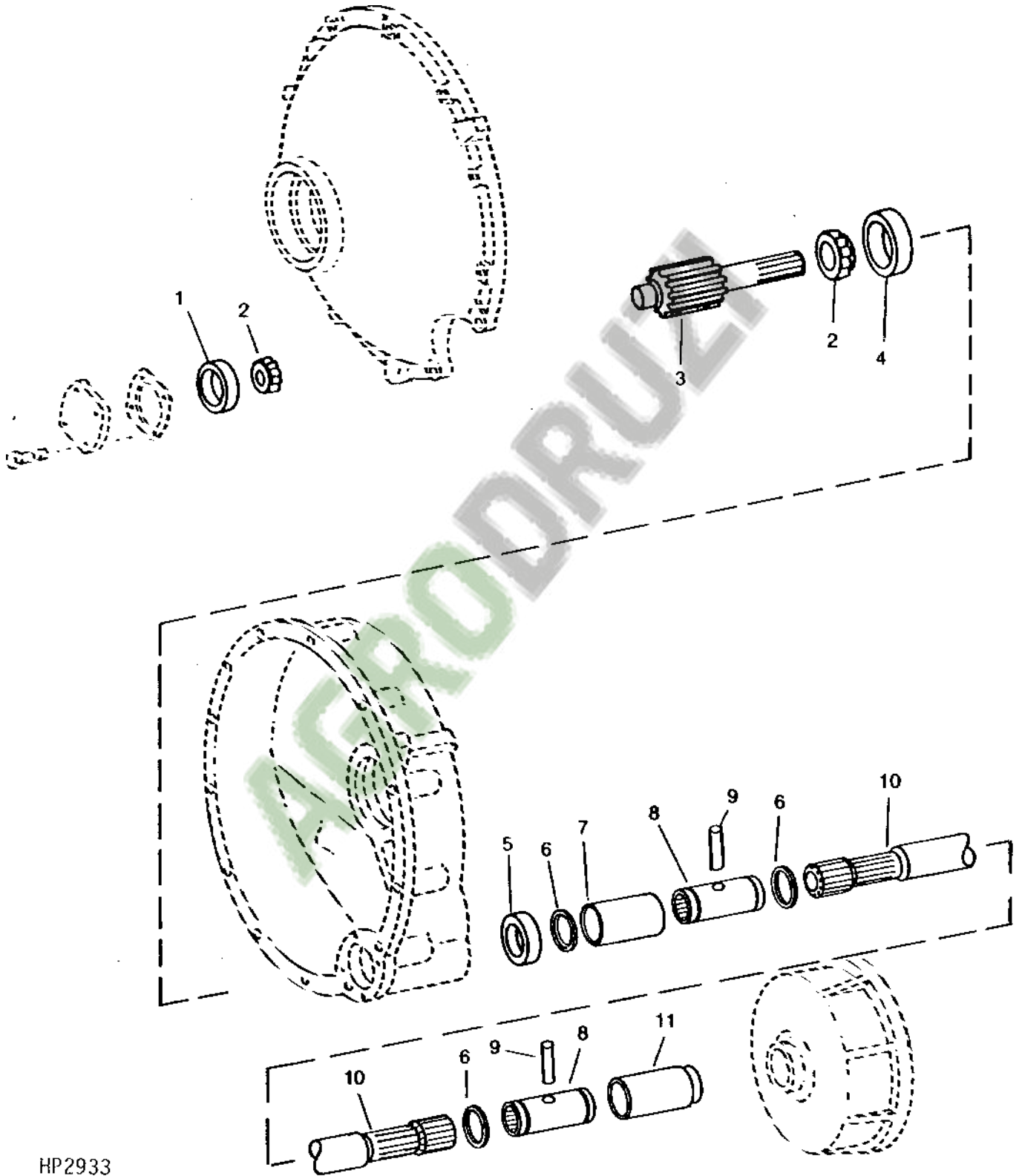
AGRODRIVE

4D21

FINAL DRIVE PINION, DRIVE SHAFTS AND BEARINGS

(RING AND PINION)

HP2933 -UN-01JAN94

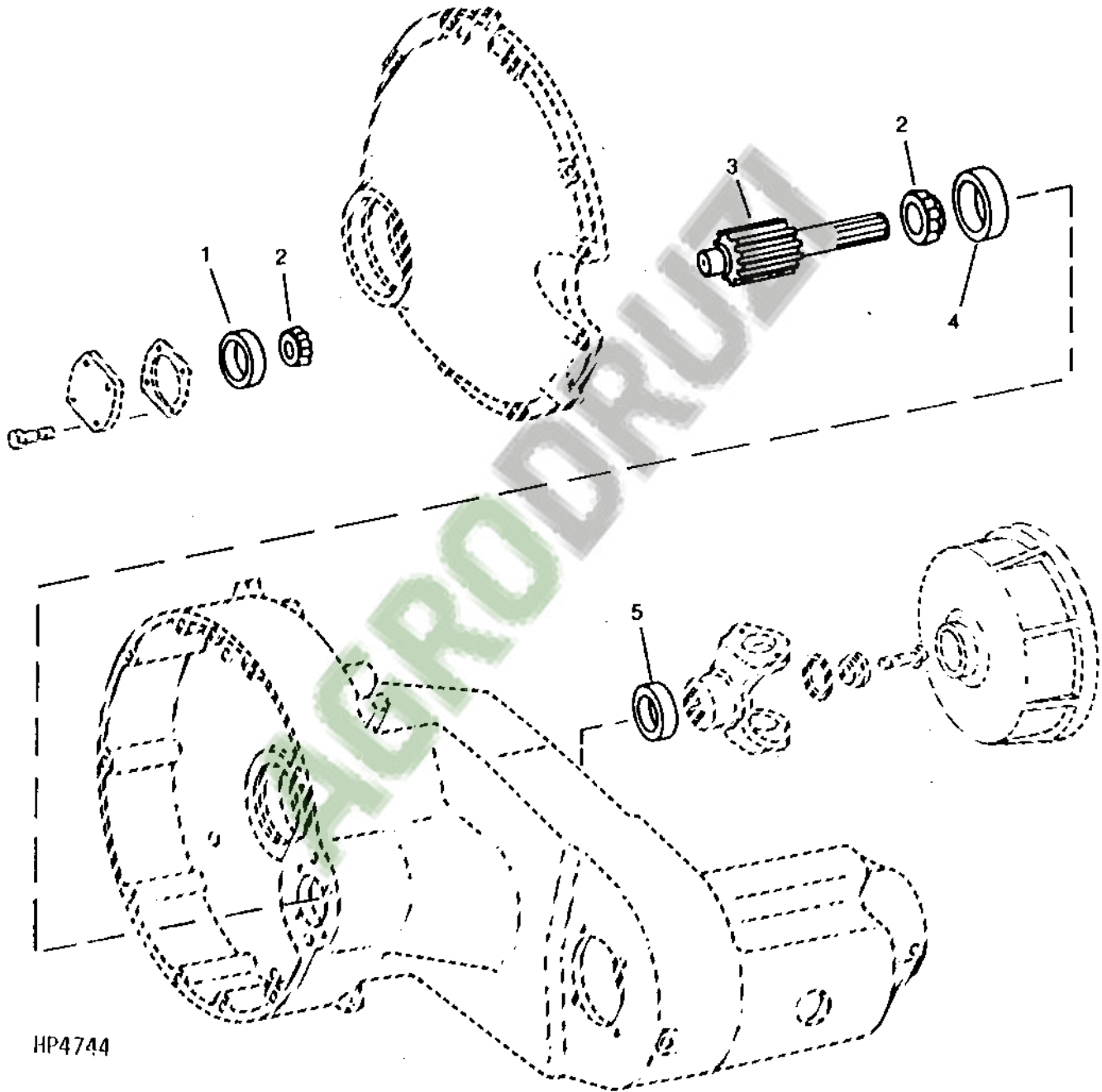


HP2933

4D23

FINAL DRIVE PINION AND BEARINGS (SIDEHILL)

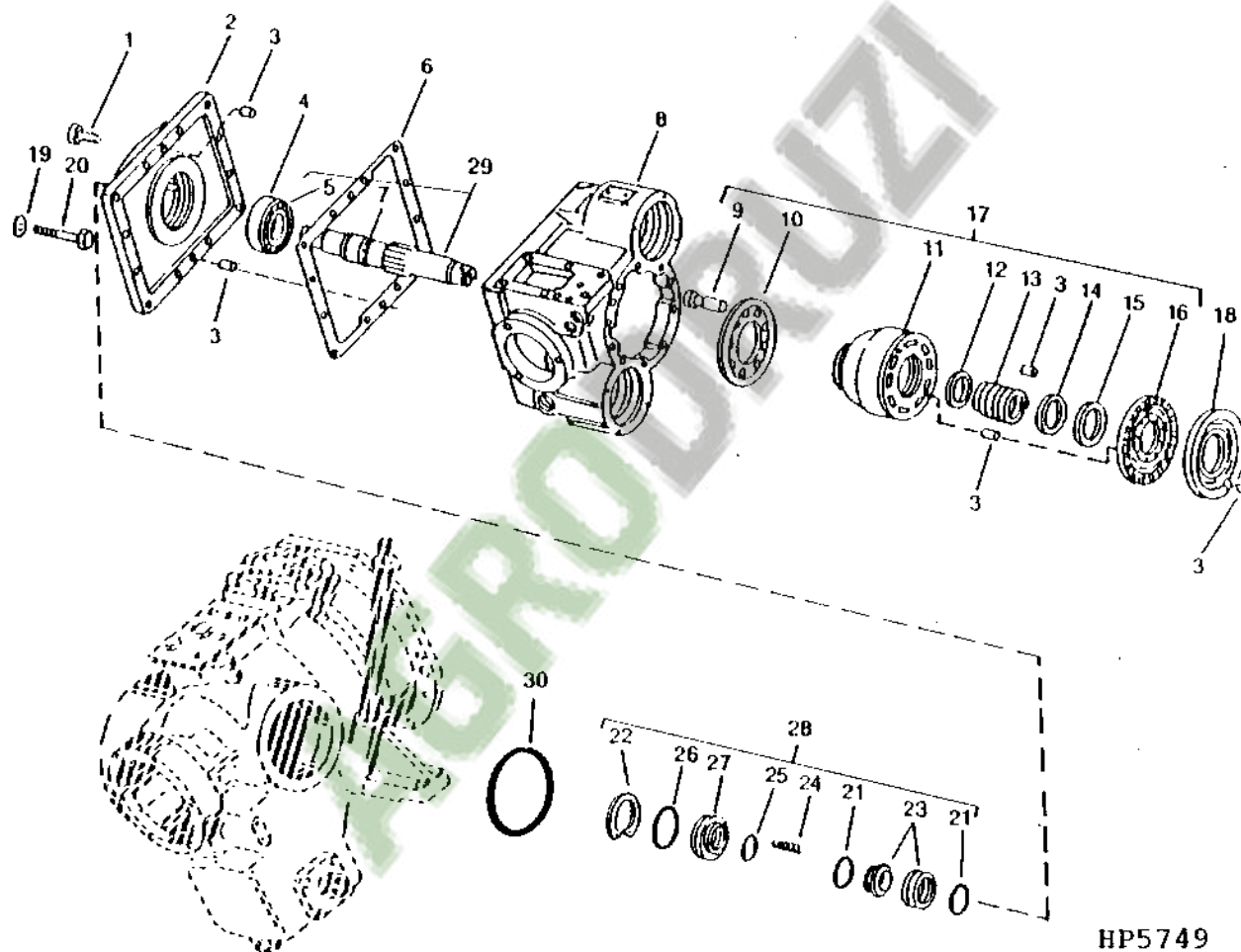
(RING AND PINION)
HP4744 -UN-01JAN94



HP4744

HYDROSTATIC DRIVE PUMP, FRONT COVER AND SHAFT (RING AND PINION)

HP5749 -UN-01JAN94

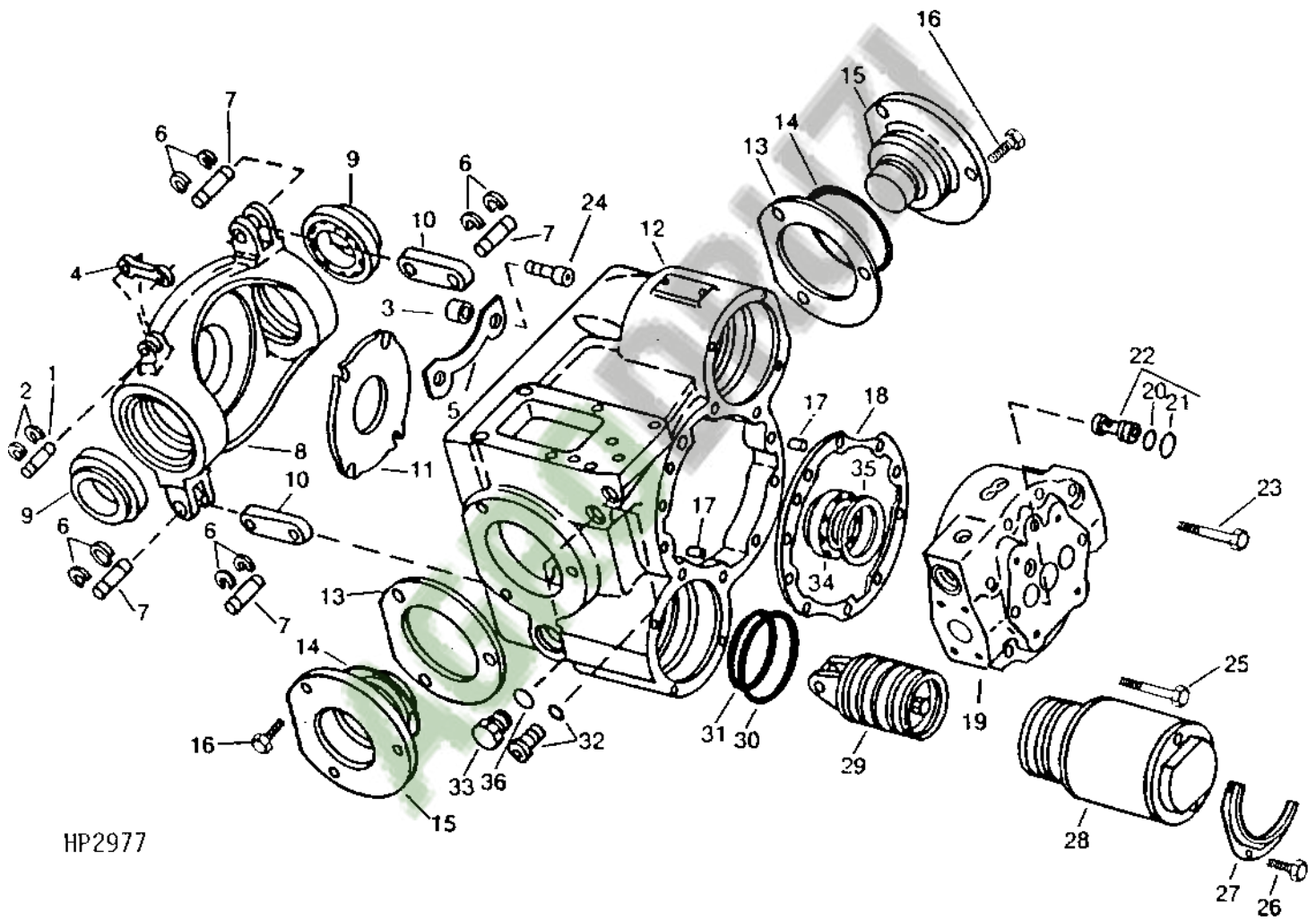


HP5749

4E3

HYDROSTATIC DRIVE PUMP, HOUSING, SWASHPLATE, AND SERVO CYLINDERS (RING AND PINION)

HP2977 -UN-01JAN94

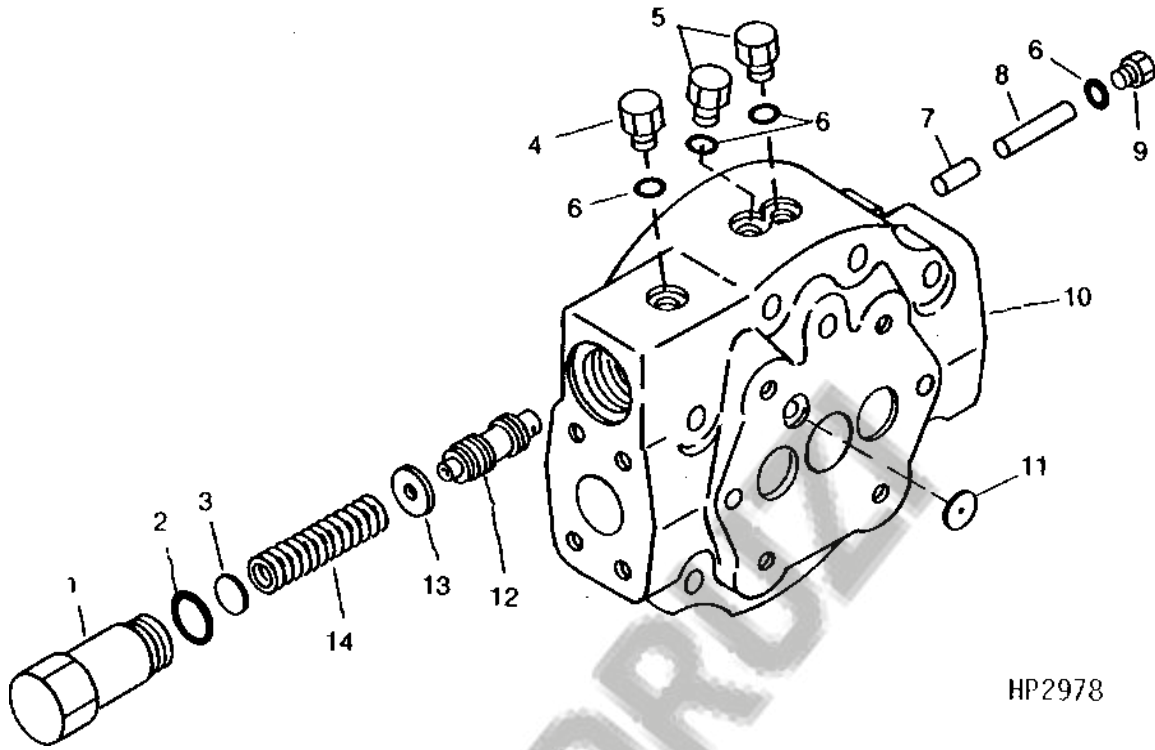


HP2977

4E5

HYDROSTATIC DRIVE PUMP COVER (RING AND PINION FINAL DRIVE)

HP2978 -UN-01JAN94



HP2978

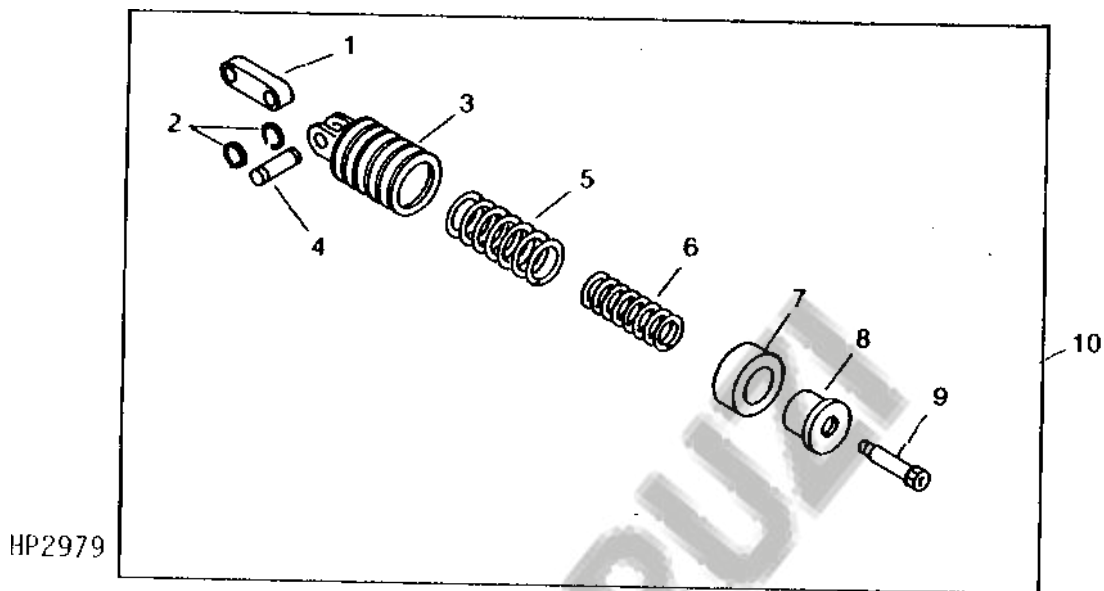
KEY	PART NO.	PART NAME	QTY	SERIAL NO.	REMARKS
				S	
				H	
				9 9	
				5 5	
				0 0	
				0 0	

AGRODRIVE

4E6

**HYDROSTATIC DRIVE PISTON ASSEMBLY
(RING AND PINION)**

HP2979 -UN-01JAN94



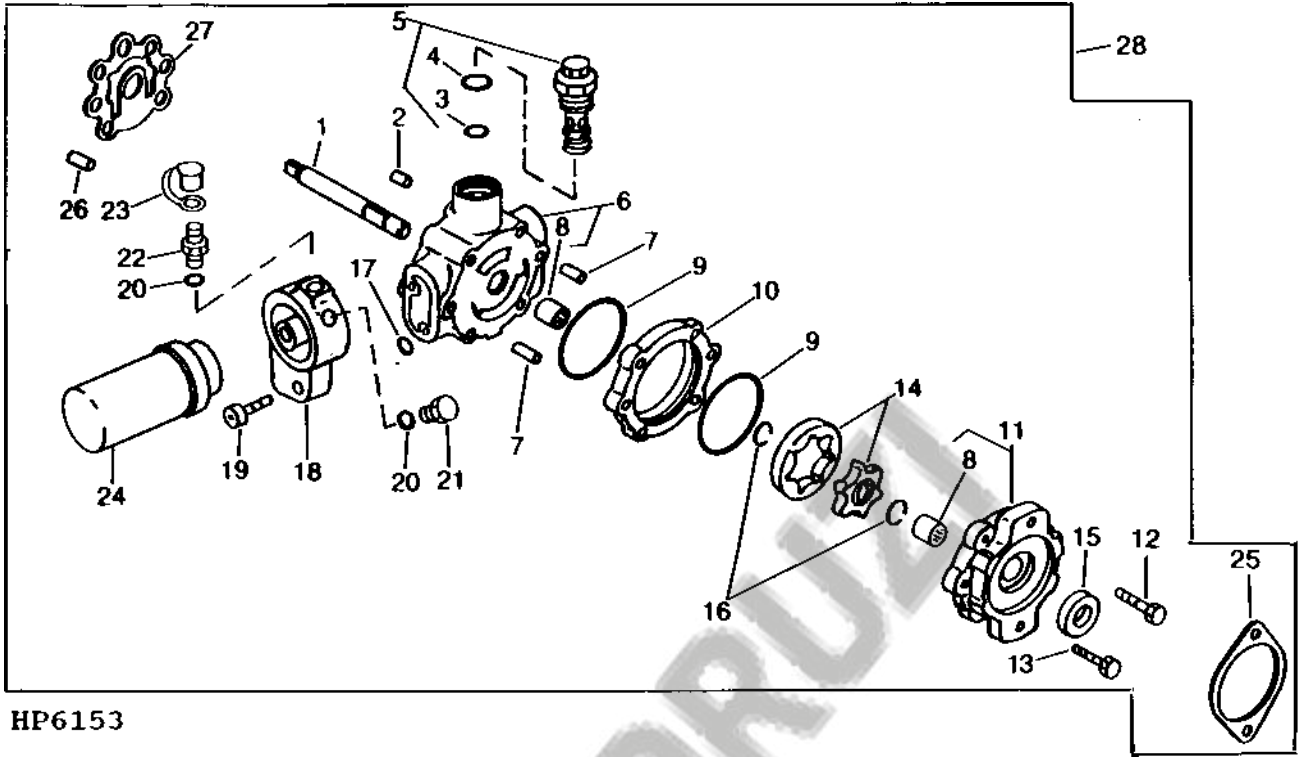
KEY	PART NO.	PART NAME	QTY	SERIAL NO.	REMARKS
				S	
				H	
				9	
				5	
				0	
				0	

AGRODRU

HYDROSTATIC DRIVE CHARGE PUMP

(- 670000)

HP6153 -UN-01SEP95



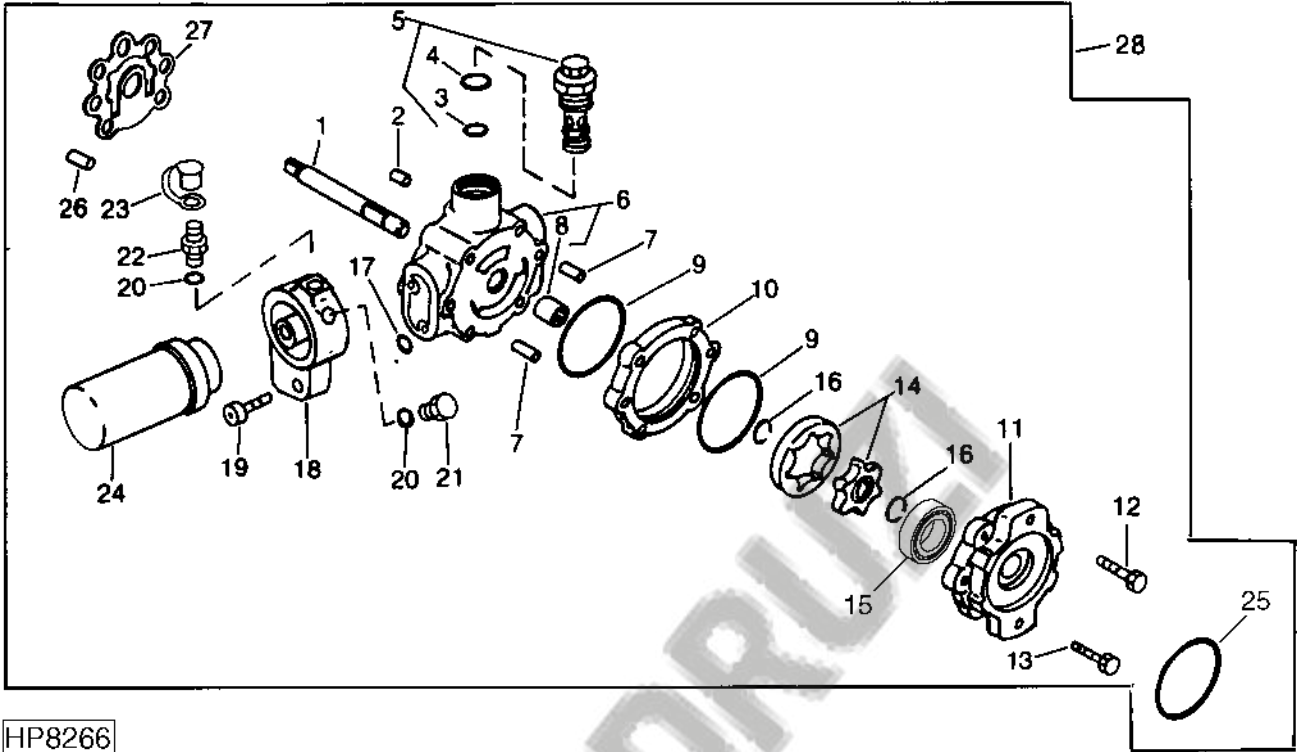
HP6153

KEY	PART NO.	PART NAME	QTY	SERIAL NO.	REMARKS
				S	
				H	
				9	
				9	
				5	
				0	
				0	
				0	

AGRODRIVE

HYDROSTATIC DRIVE CHARGE PUMP

(675000 -)
 HP8266 -UN-19FEB99

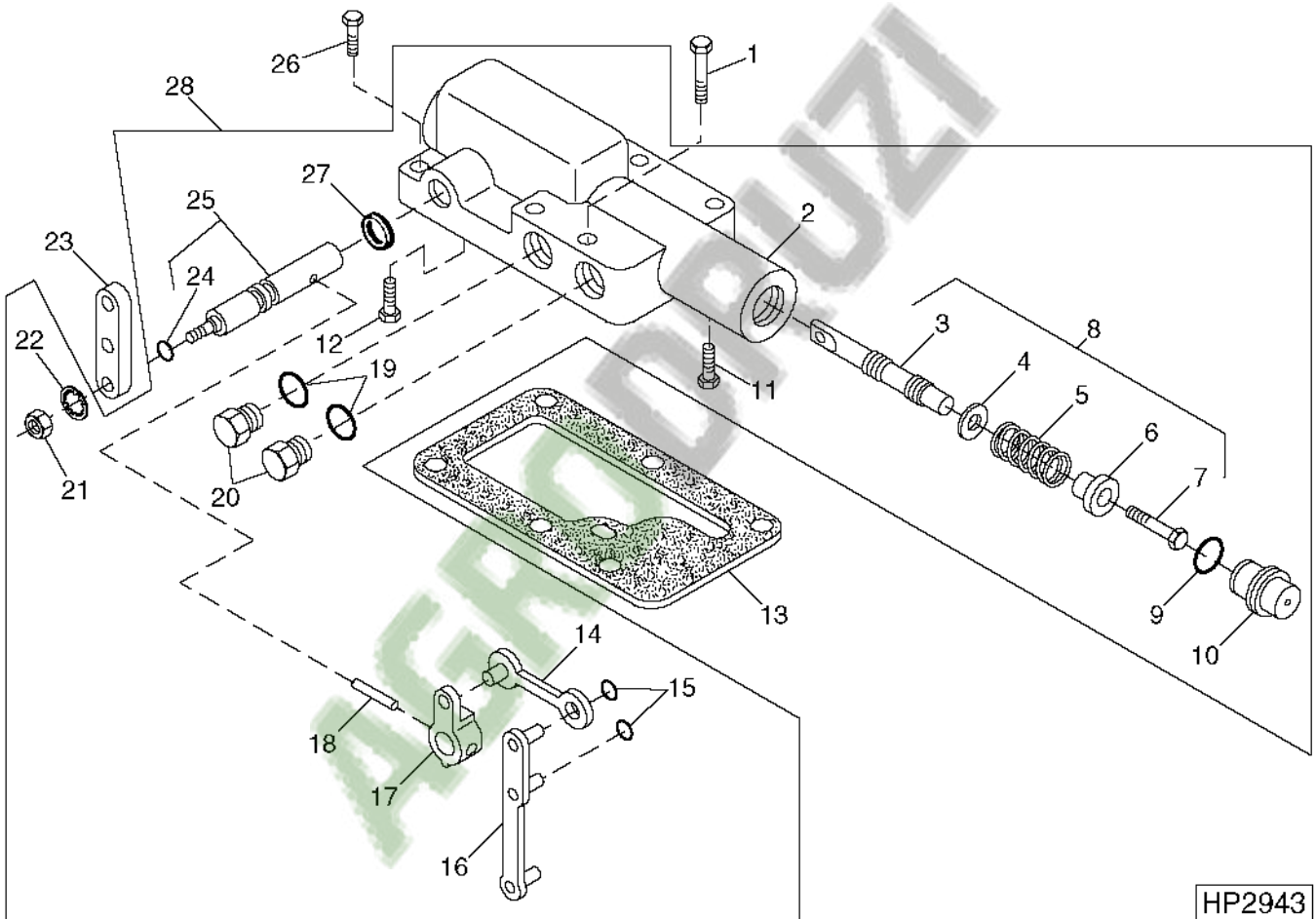


HP8266

KEY	PART NO.	PART NAME	QTY	SERIAL NO.	REMARKS
				S	
				H	
				9	
				5	
				0	
				0	

AGRODRIVE

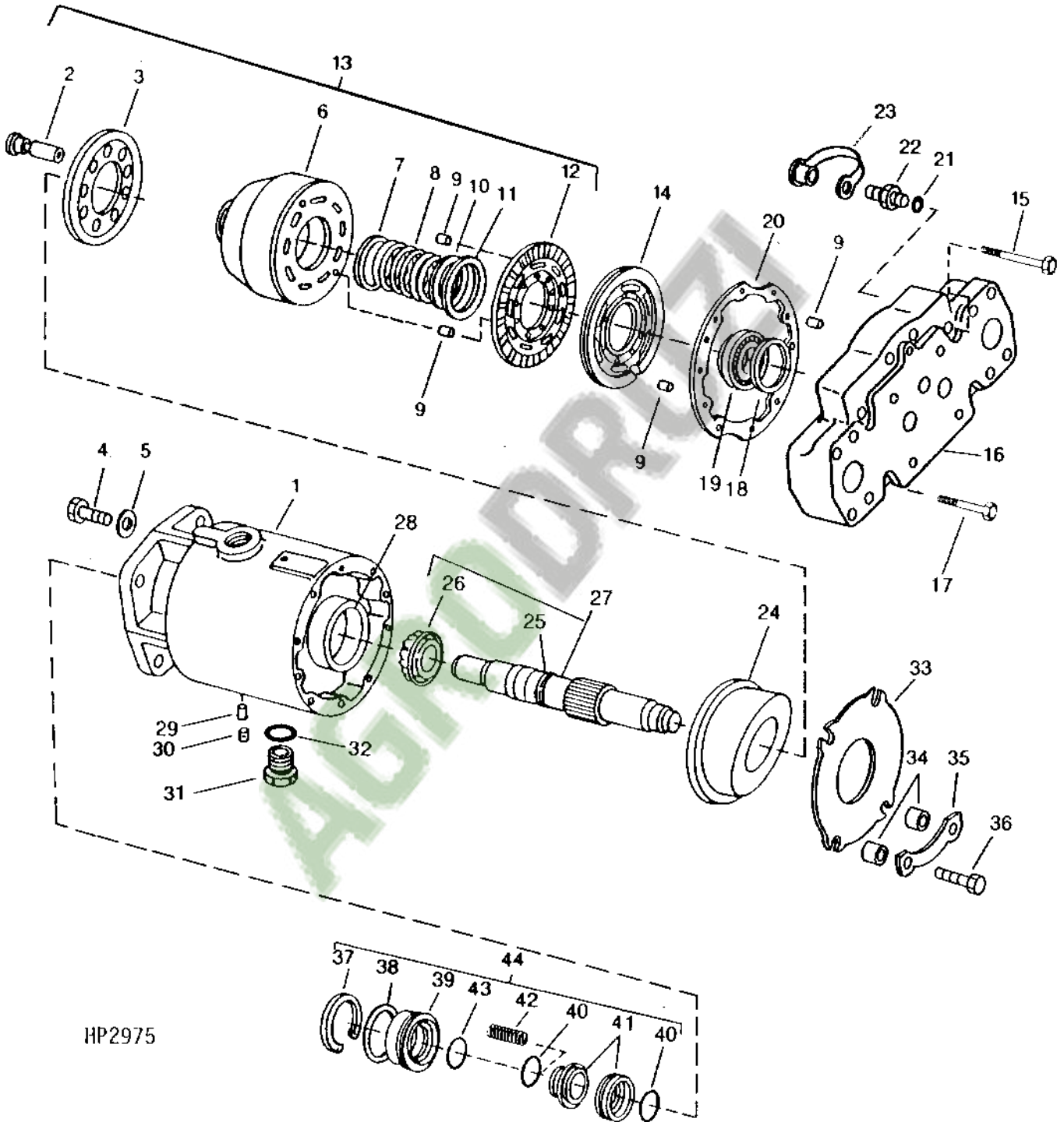
HYDROSTATIC DRIVE DISPLACEMENT CONTROL VALVE
HP2943 -UN-13AUG99



HP2943

4E11

HYDROSTATIC DRIVE MOTOR
(RING AND PINION)
HP2975 -UN-01JAN94

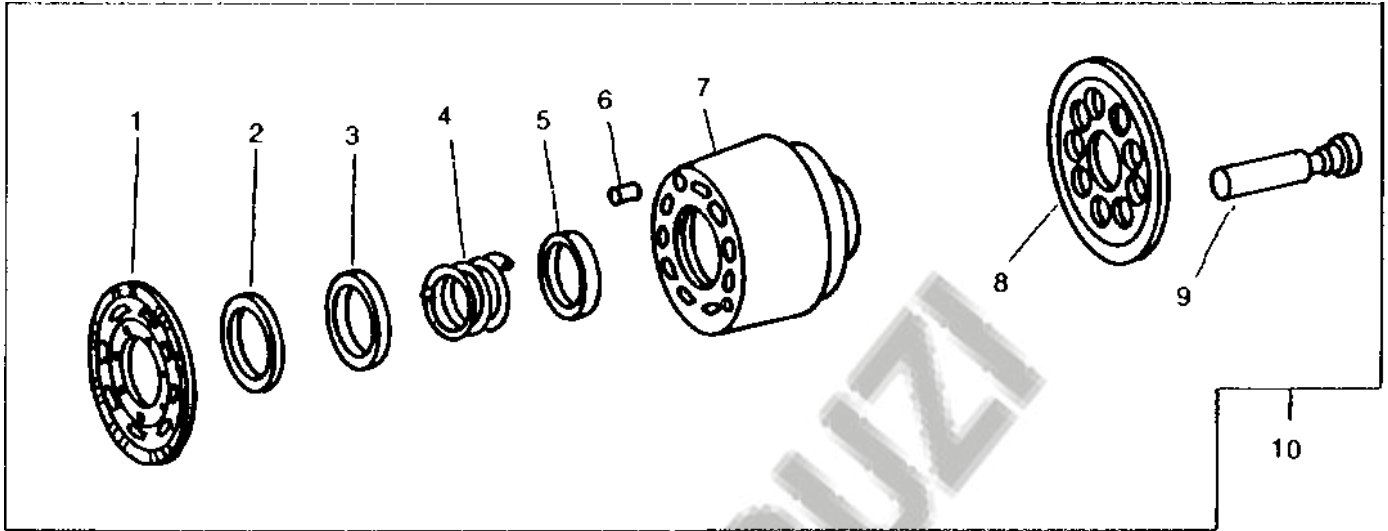


HP2975

4E13

**HYDROSTATIC DRIVE MOTOR KIT
(RING AND PINION)**

HP2942 -UN-01JAN94



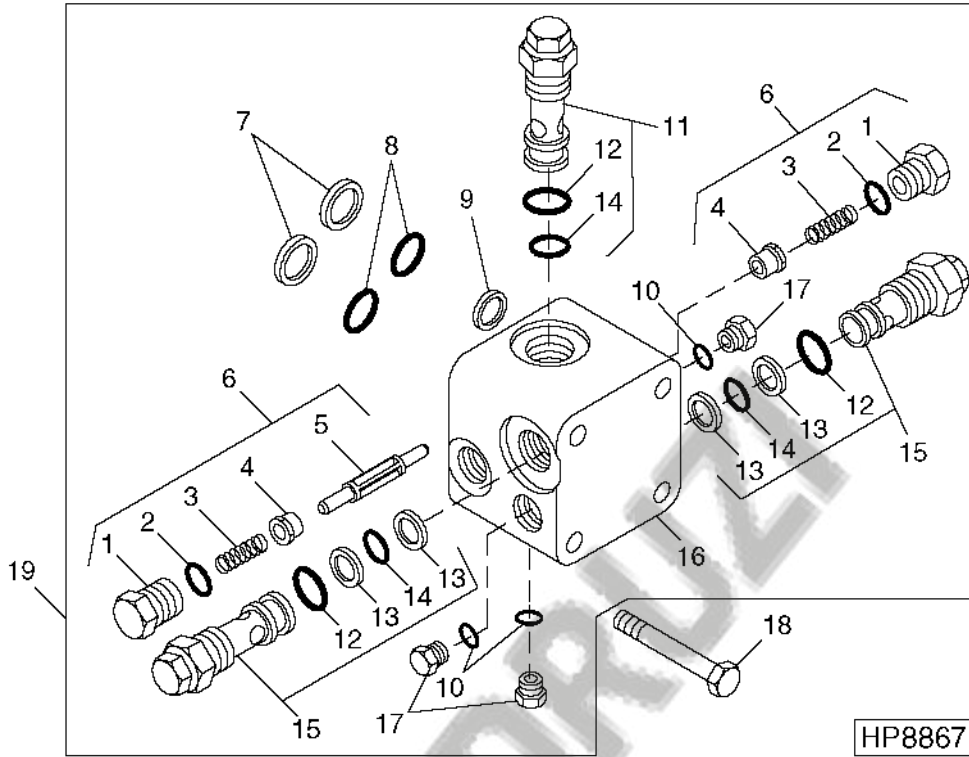
HP2942

AGRODRUZI

KEY	PART NO.	PART NAME	QTY	SERIAL NO.	REMARKS
				S	
			9	H	
			5	5	
			0	0	
			0	0	

4E14

**HYDROSTATIC MOTOR VALVE
(RING AND PINION)**
HP8867 -UN-27JUL99



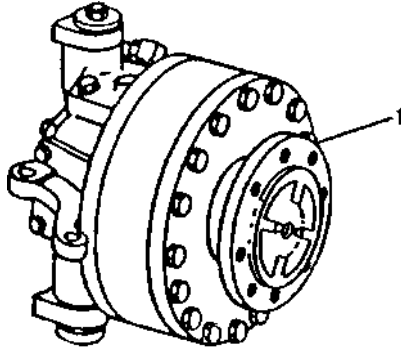
S
H
9 9
5 5
0 0
0 0

KEY	PART NO.	PART NAME	QTY	SERIAL NO.	REMARKS

AGRO

4E15

CAM LOBE MOTOR
RXP6972 -UN-01JAN94



RXP6972

KEY	PART NO.	PART NAME	QTY	SERIAL NO.	REMARKS
-----	----------	-----------	-----	------------	---------

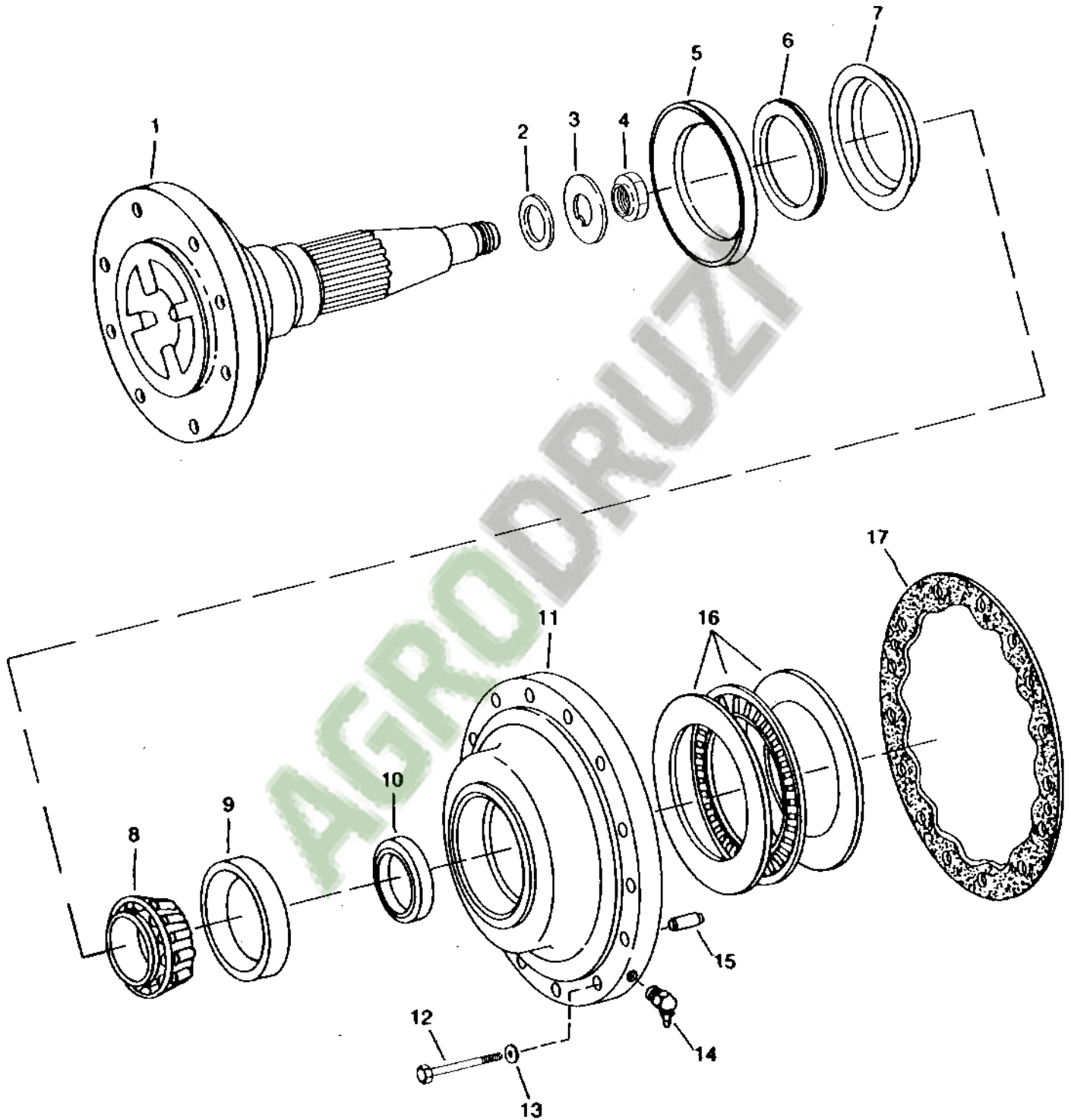
S
H
9 9
5 5
0 0
0 0

AGRODRUZI

4E16

POWER TRAIN

SHAFT, OUTER COVER, BEARING AND SEALS
CAM LOBE MOTOR
RXP6957 -UN-01JAN94

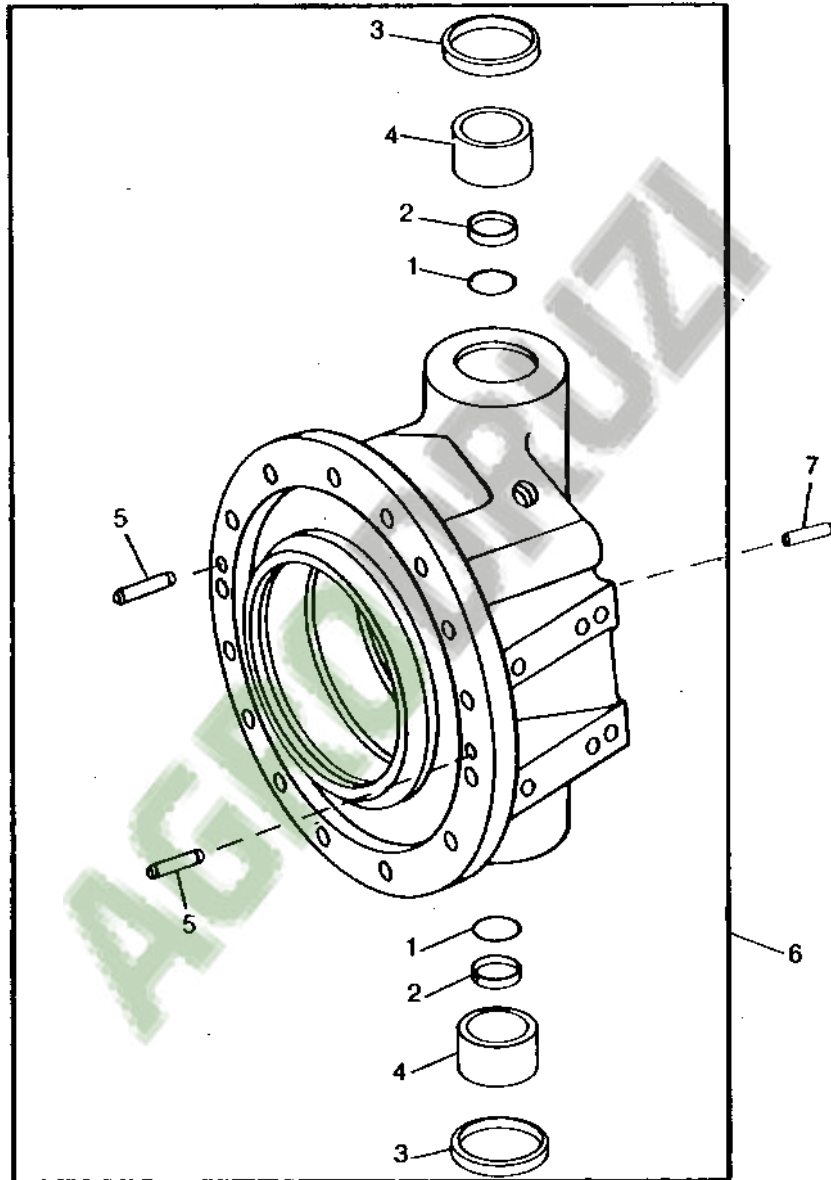


RXP6957

272

4E18

INNER COVER
RXP7788 -UN-01JAN94

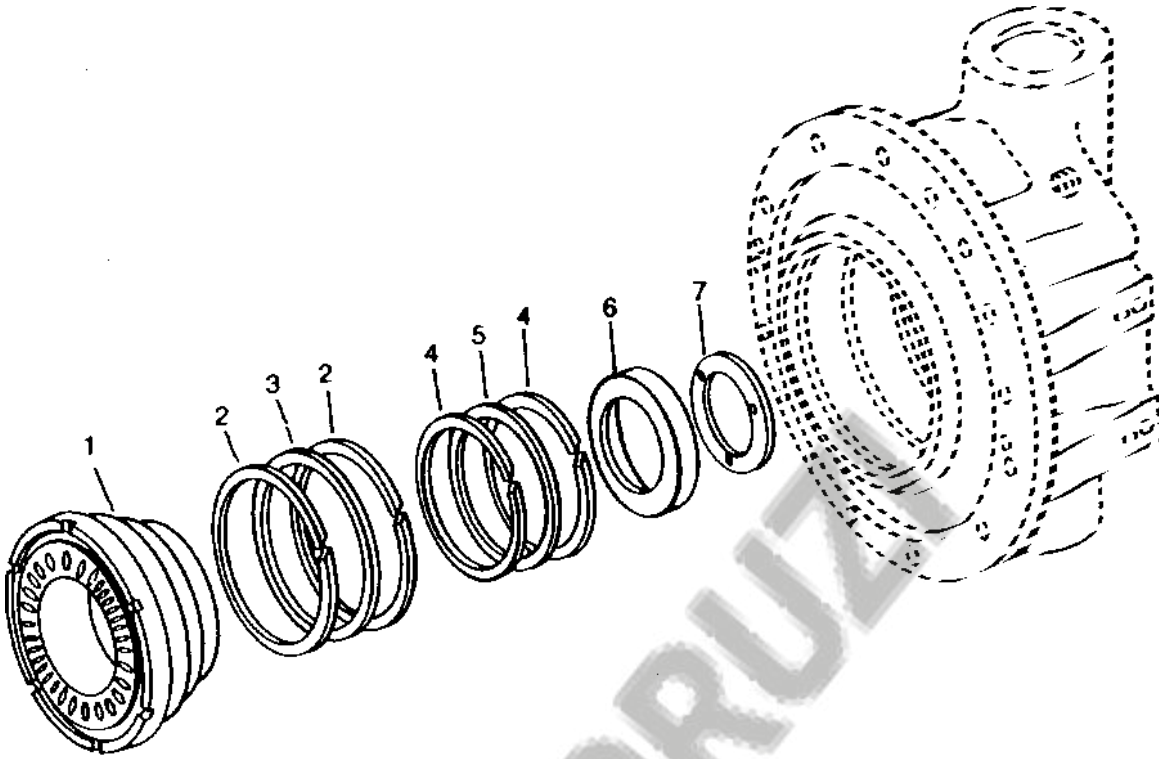


RXP7788

4E20

POWER TRAIN

MANIFOLD AND PACKING
RXP7841 -UN-01JAN94



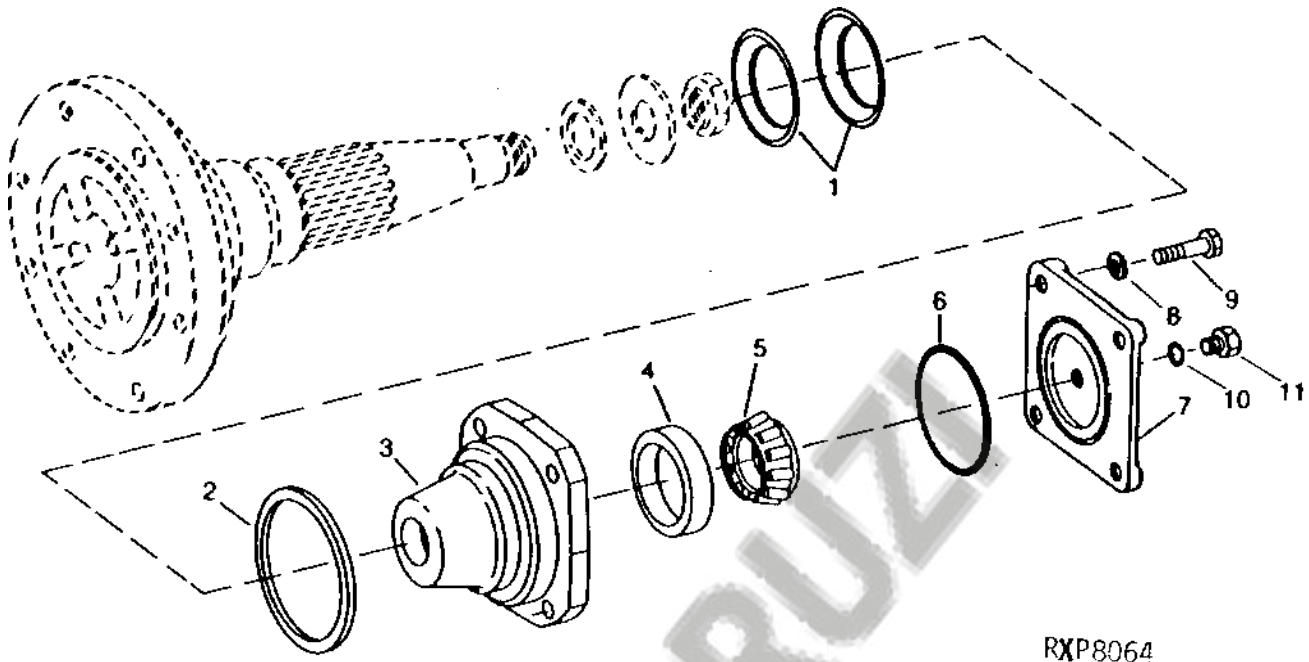
RXP7841

KEY	PART NO.	PART NAME	QTY	SERIAL NO.	REMARKS
				S H 9 9 5 5 0 0 0 0	

AGRODRUZ

4E21

QUILL, BEARING AND COVER
RXP8064 -UN-01JAN94



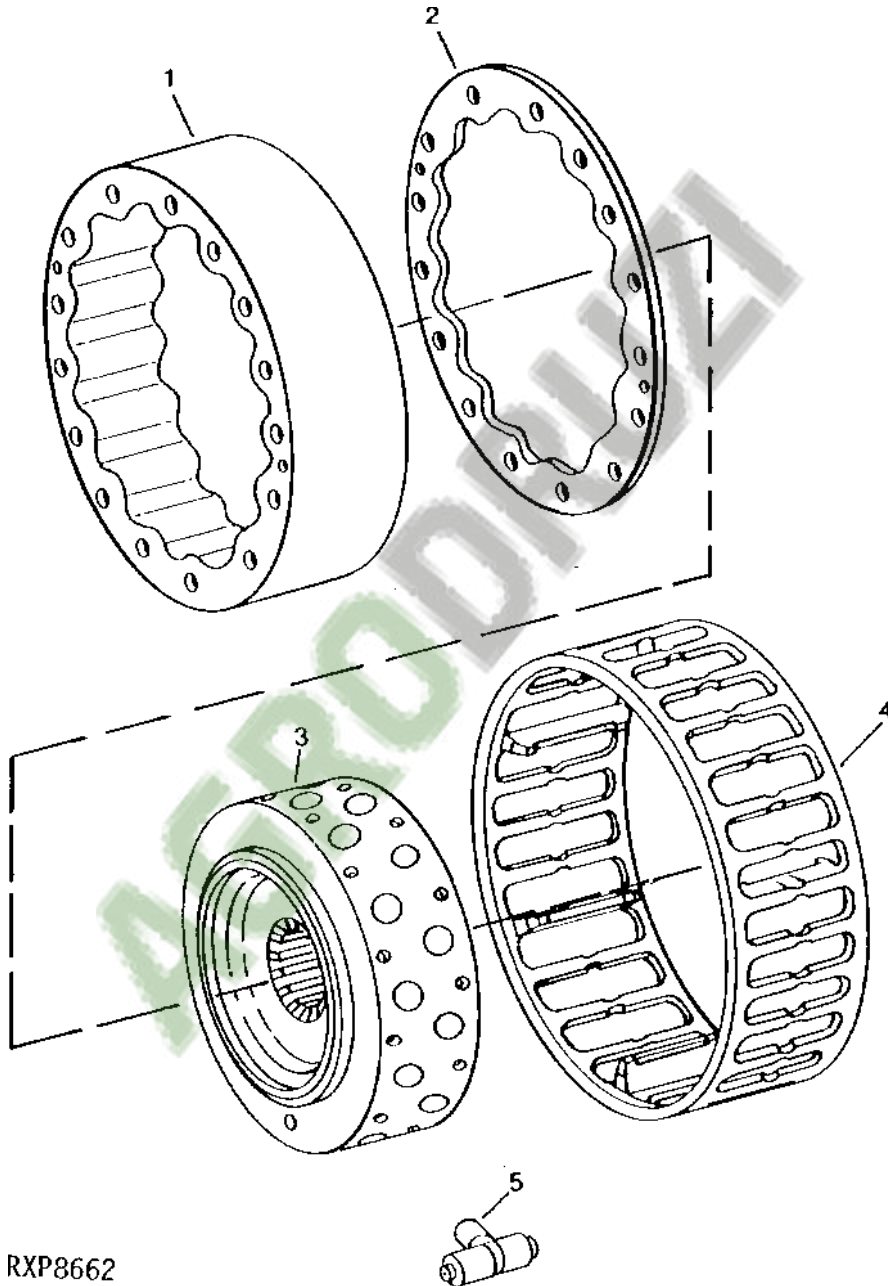
RXP8064

KEY	PART NO.	PART NAME	QTY	SERIAL NO.	REMARKS
				S	
				H	
				9 9	
				5 5	
				0 0	
				0 0	

AGRODRUZ

4E22

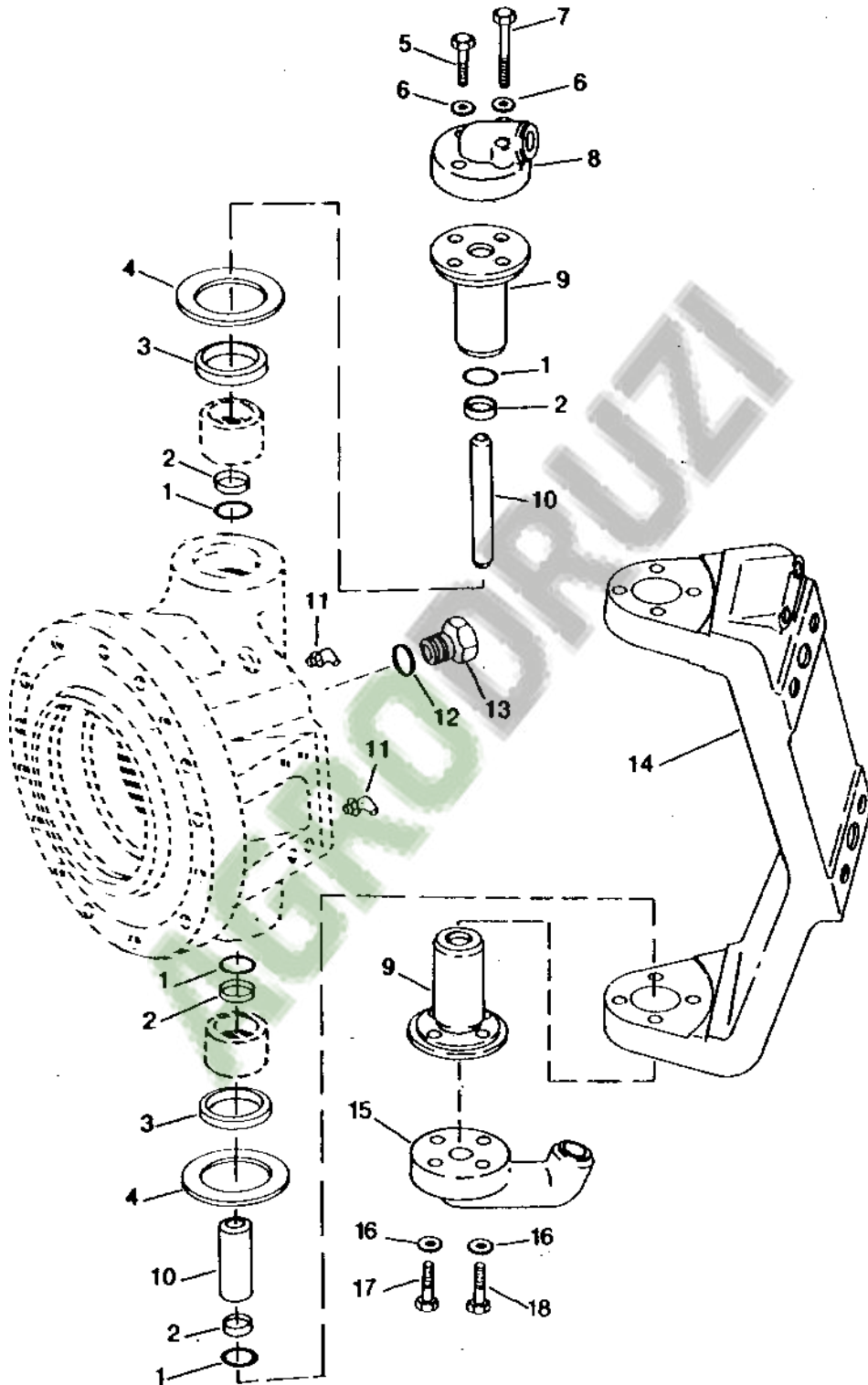
CARRIER, PISTONS AND CAM
RXP8662 -UN-01JAN94



RXP8662

4E24

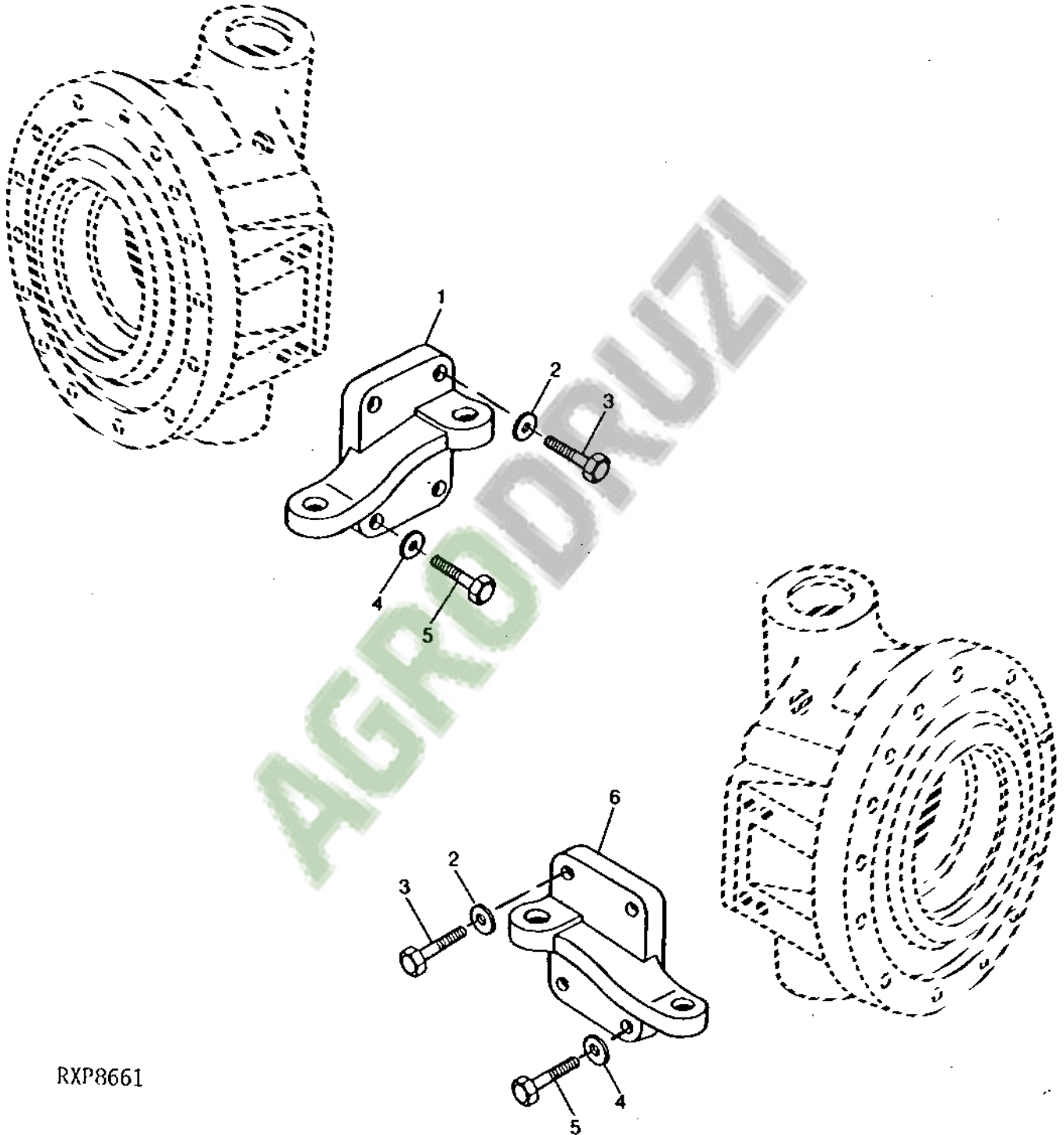
YOKE, PIVOTS AND CAPS
RXP7667 -UN-01JAN94



RXP7667

4F1

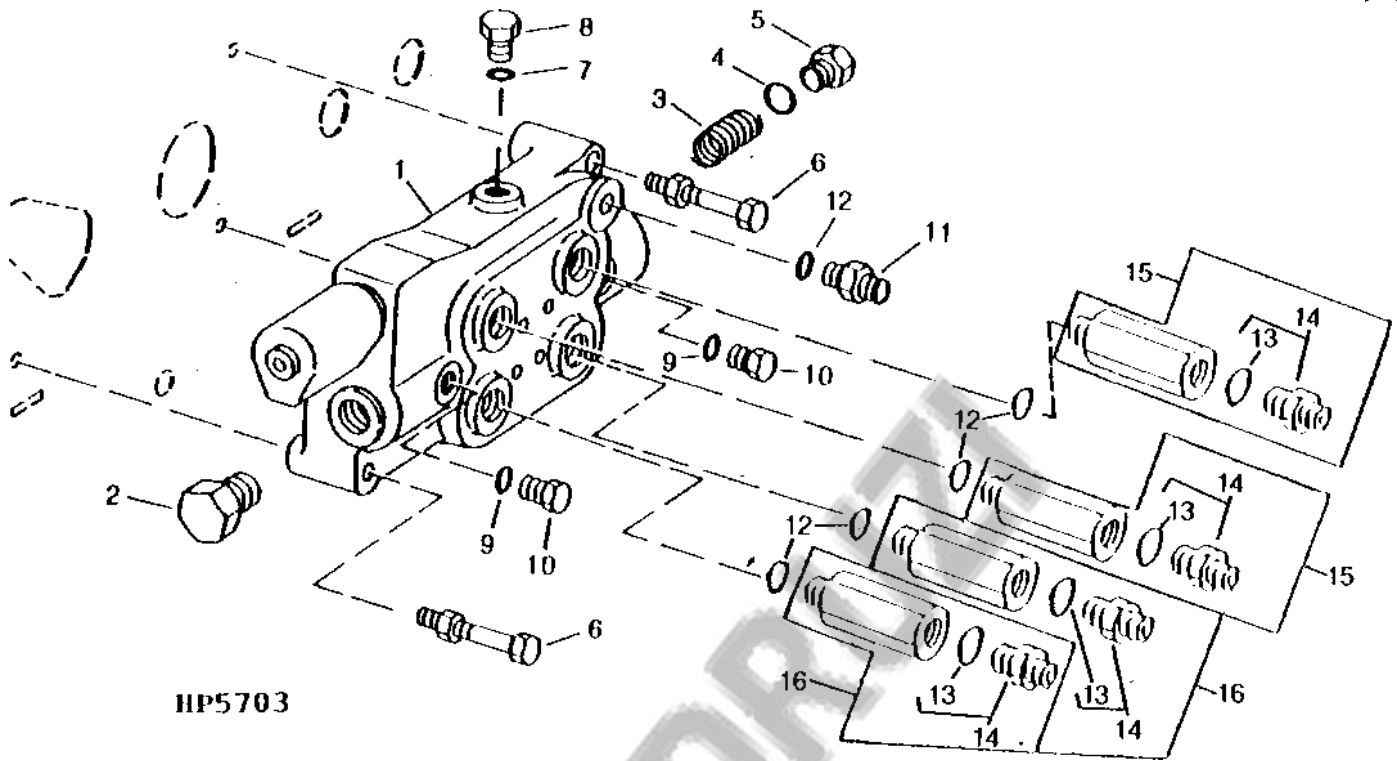
STEERING ARMS
RXP8661 -UN-01JAN94



RXP8661

4F3

CONTROL VALVE (-655200)
 (4-WHEEL DRIVE)
 HP5703 -UN-01JAN94



HP5703

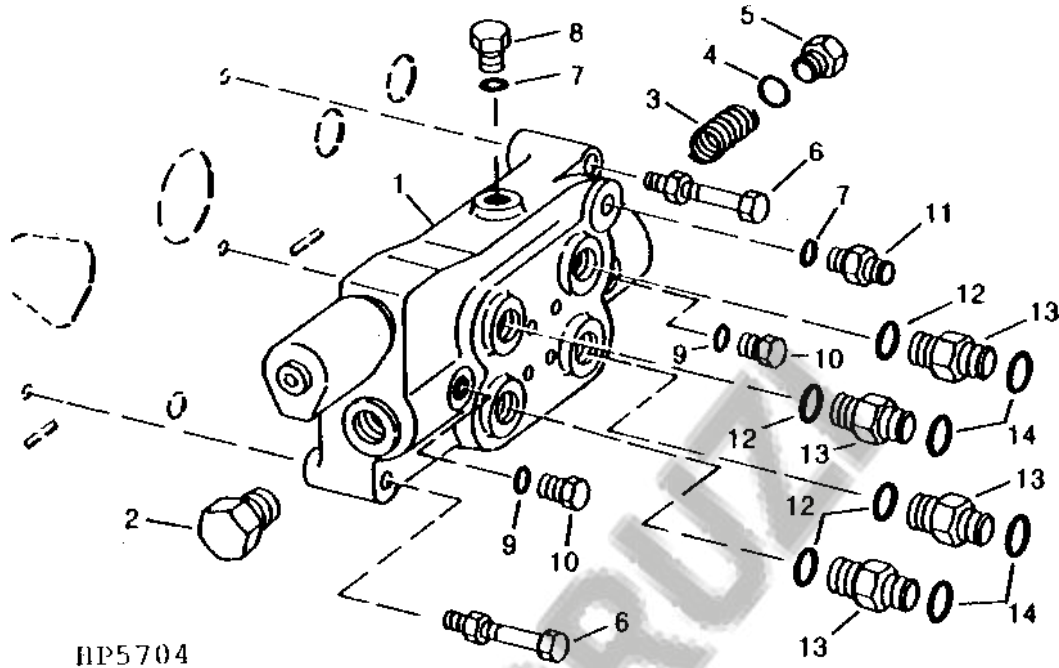
S
 H
 9 9
 5 5
 0 0
 0 0

KEY	PART NO.	PART NAME	QTY	SERIAL NO.	REMARKS
-----	----------	-----------	-----	------------	---------

AGRODRIVE

4F4

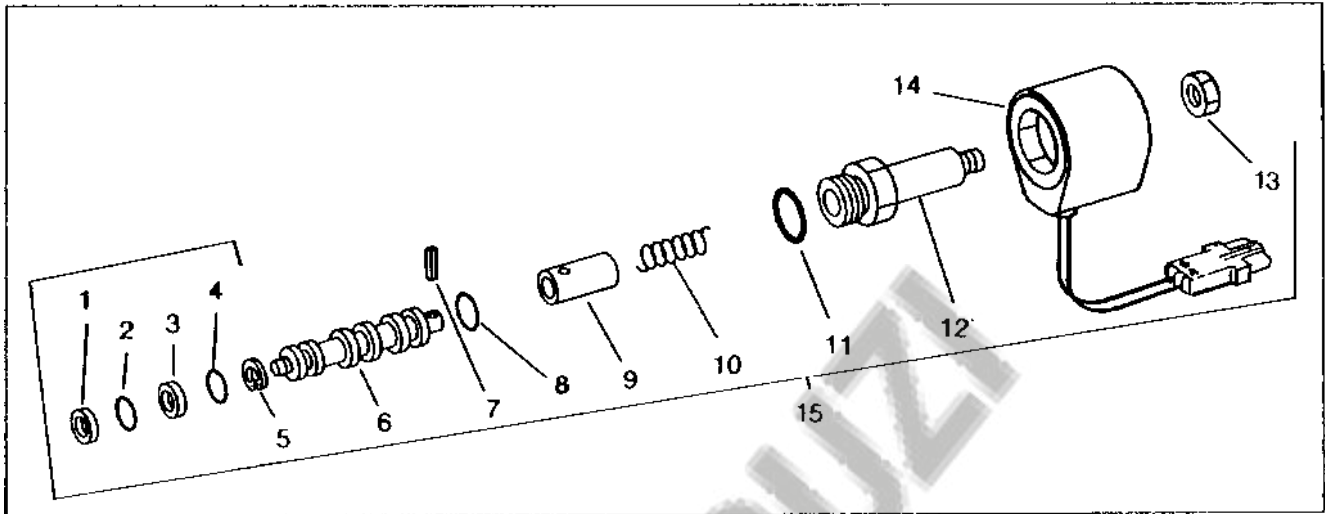
CONTROL VALVE (655201-)
 (4-WHEEL DRIVE)
 HP5704 -UN-01JAN94



KEY	PART NO.	PART NAME	QTY	SERIAL NO.	REMARKS
				S	
				H	
				9	
				5	
				0	
				0	

AGRODRIVE

**CONTROL VALVE SOLENOID
(4-WHEEL DRIVE)**
HP2880 -UN-01JAN94



HP2880

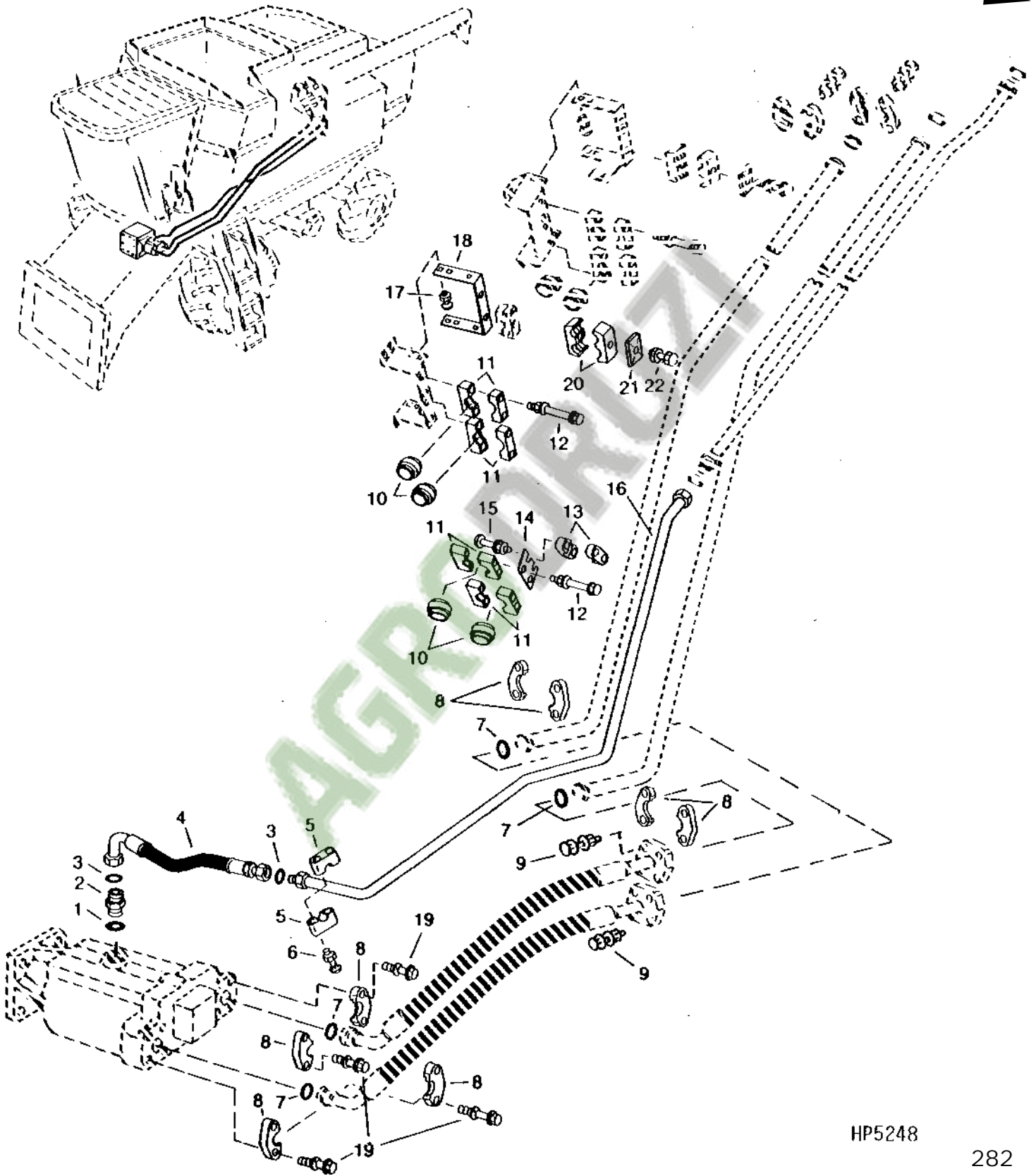
16

KEY	PART NO.	PART NAME	QTY	SERIAL NO.	REMARKS
				S	
				H	
				9	
				5	
				0	
				0	

AGRODRIVE

4F6

HYDROSTATIC DRIVE OIL LINES AND HOSES, LOWER
(TWO AND FOUR WHEEL DRIVE)
(-655200)
HP5248 -UN-01JAN94



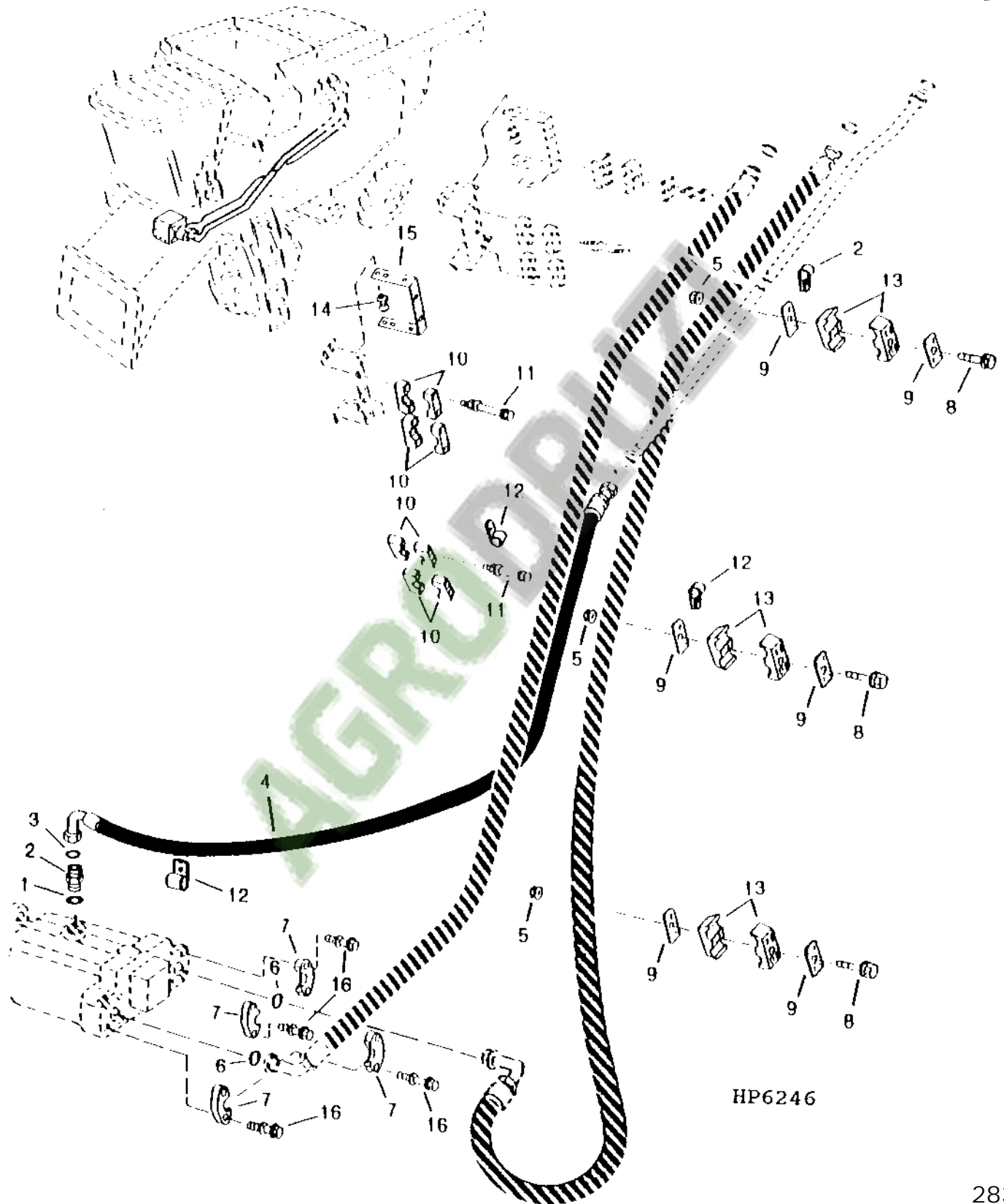
HP5248

282

4F8

HYDROSTATIC DRIVE OIL LINES AND HOSES, LOWER (FOUR WHEEL DRIVE)

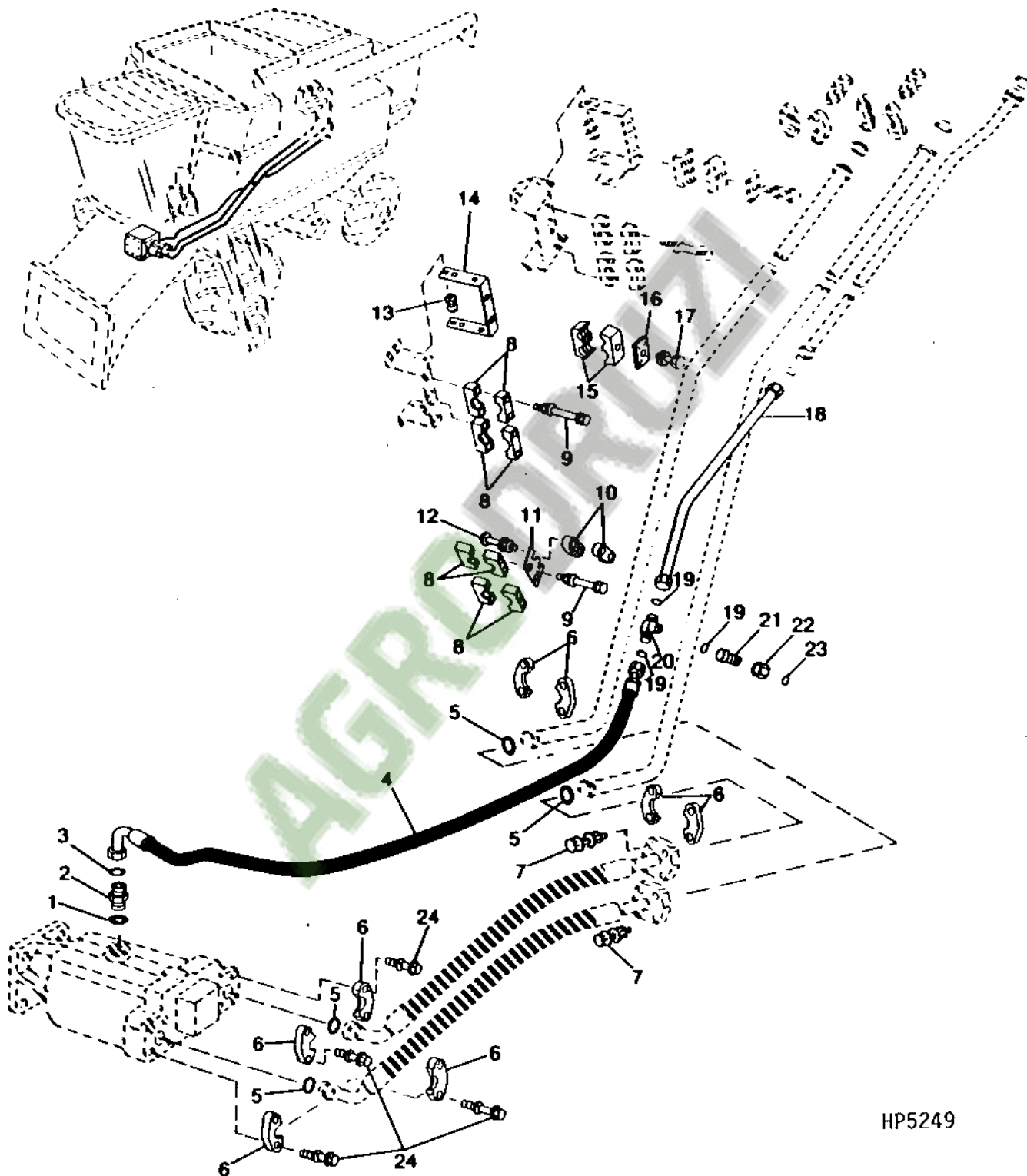
(655201-)
HP6246 -UN-04JAN96



4F10

HYDROSTATIC DRIVE OIL LINES AND HOSES, LOWER (SIDEHILL TWO WHEEL DRIVE)

(-655200)
HP5249 -UN-01JAN94

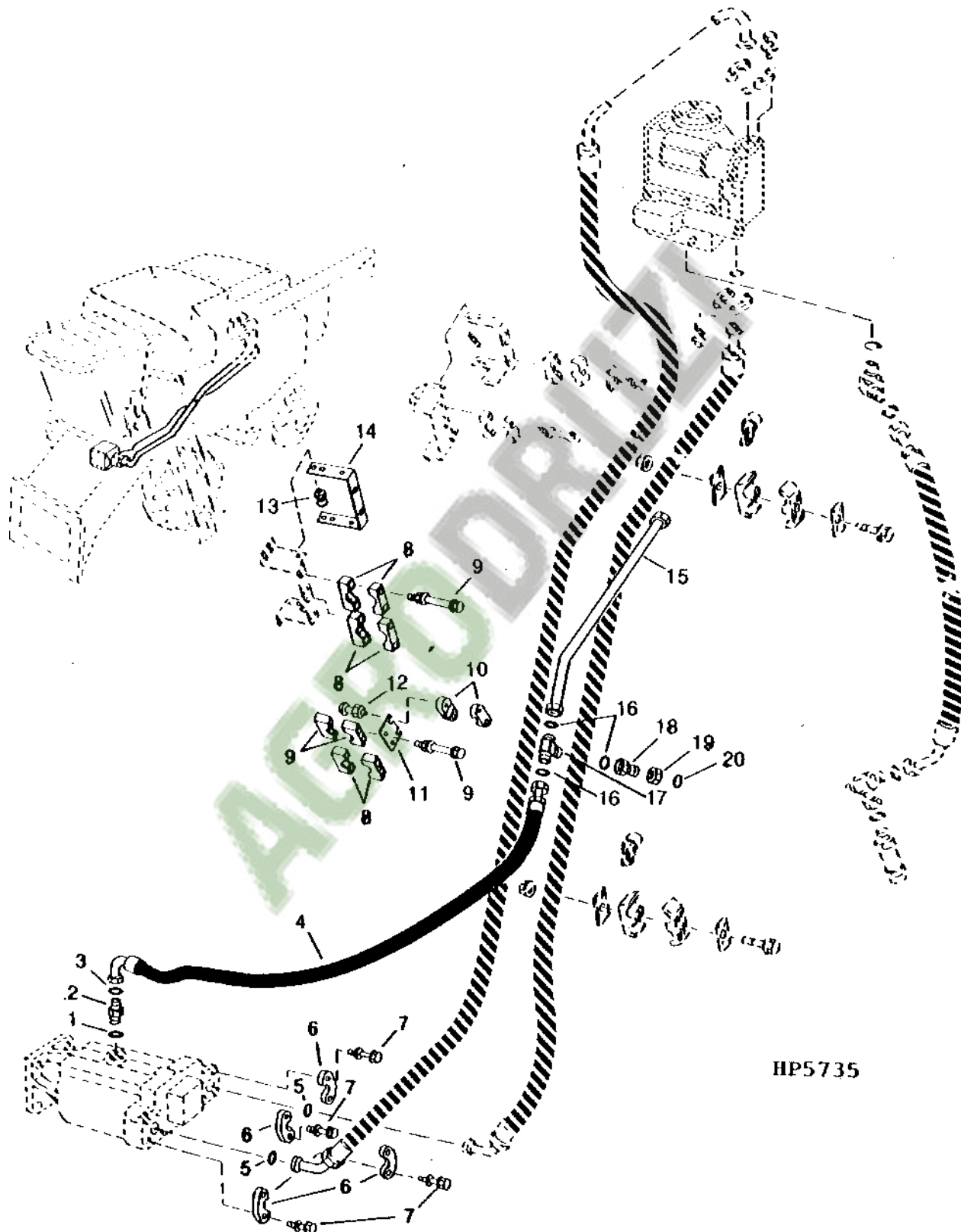


HP5249

4F12

HYDROSTATIC DRIVE OIL LINES AND HOSES, LOWER (SIDEHILL TWO WHEEL DRIVE)

(655201-)
HP5735 -UN-01JAN94

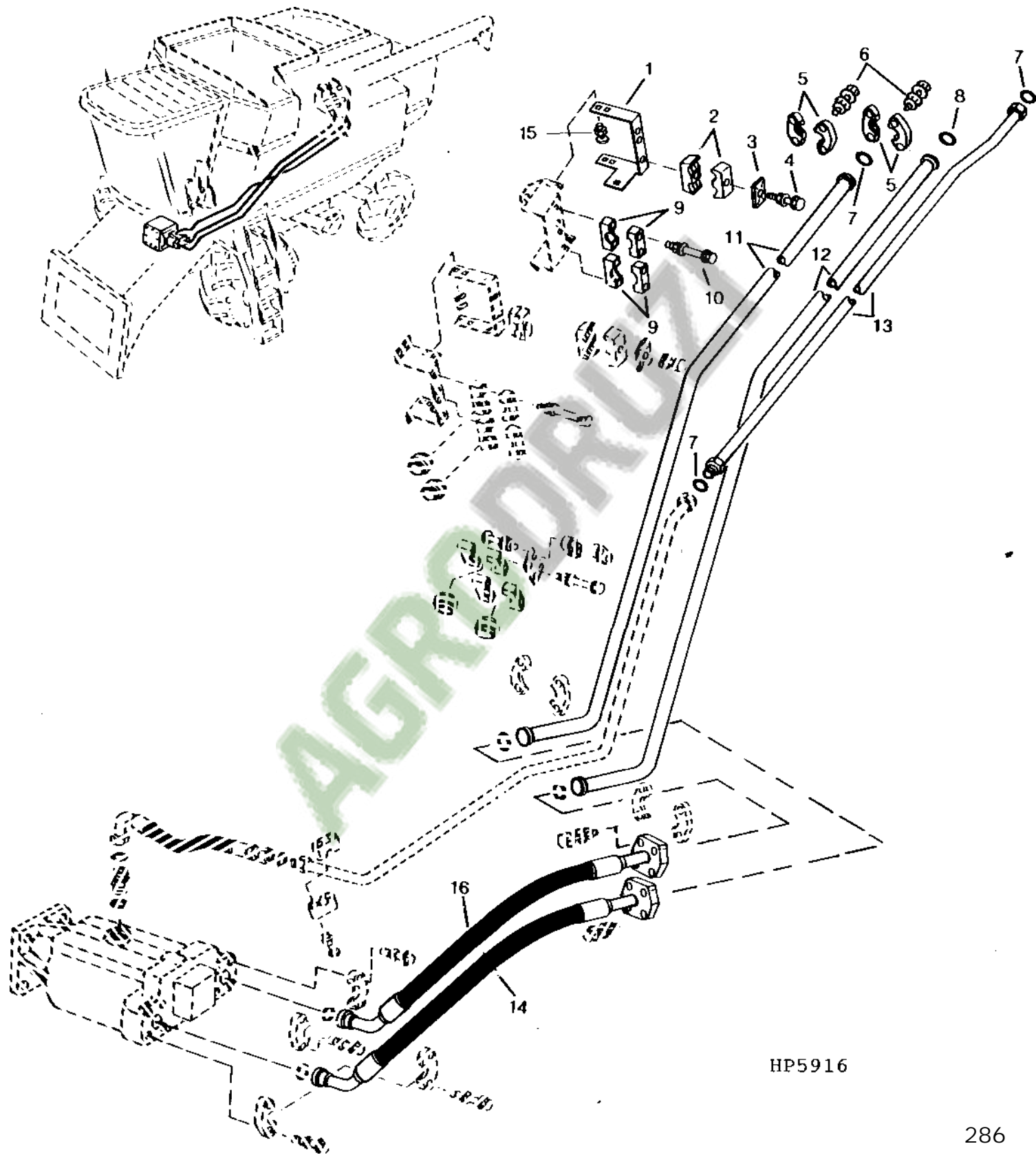


HP5735

4F14

HYDROSTATIC DRIVE OIL LINES AND HOSES, LOWER (TWO AND FOUR WHEEL DRIVE)

(-655200)
HP5916 -UN-14FEB95

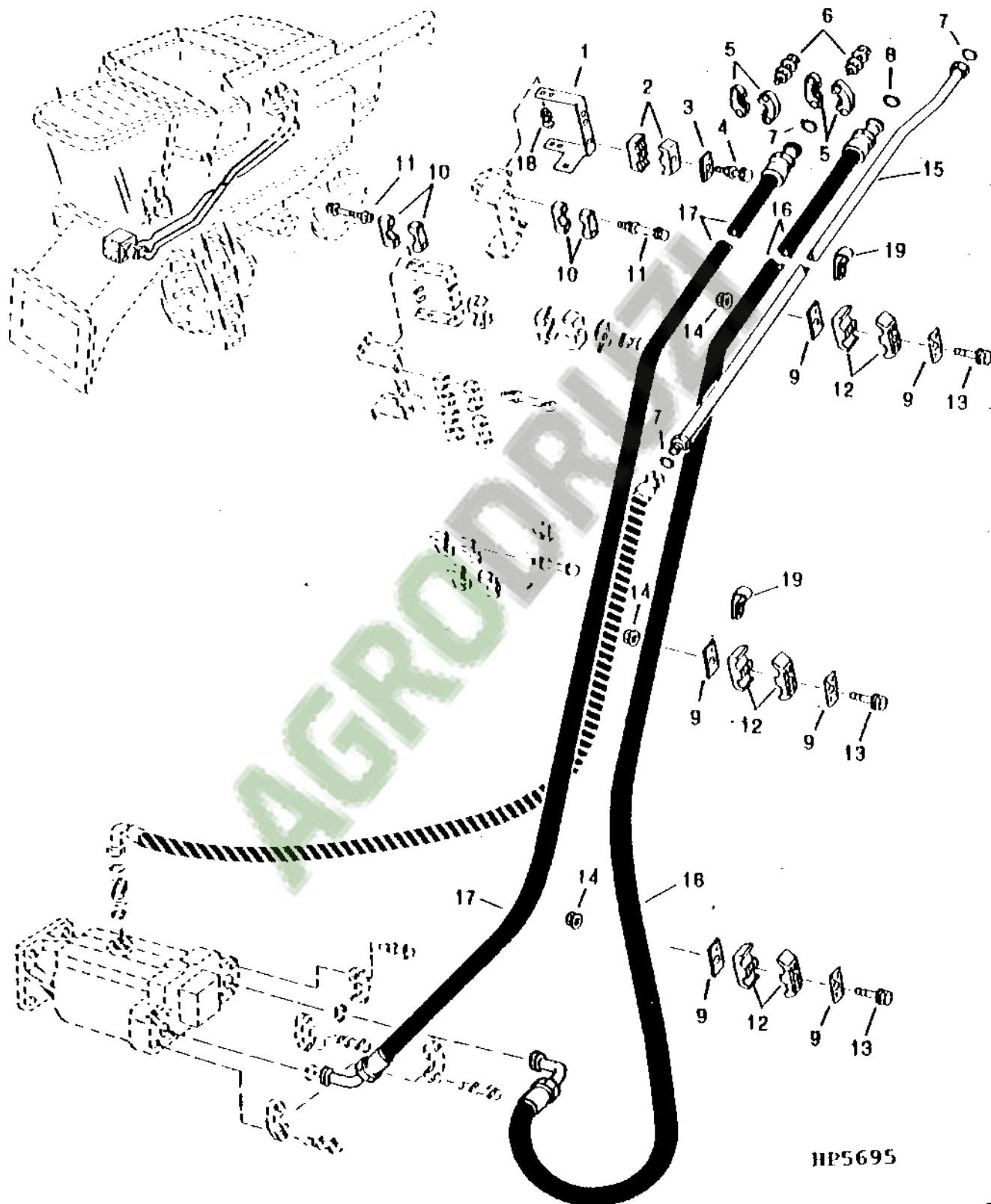


HP5916

4F16

HYDROSTATIC DRIVE OIL LINES AND HOSES, LOWER (FOUR WHEEL DRIVE)

(655201-)
HP5695 -UN-01JAN94

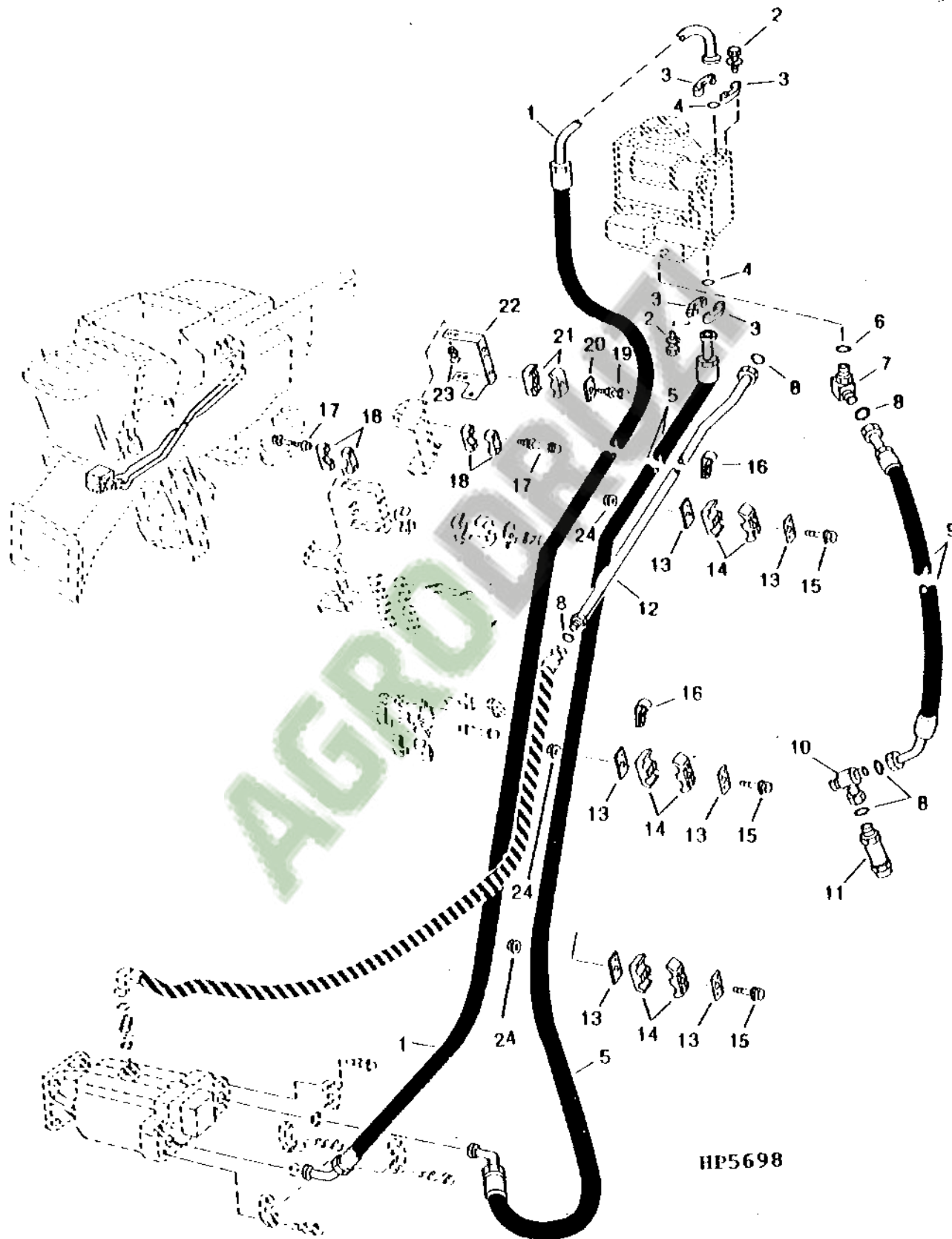


HP5695

4F18

HYDROSTATIC DRIVE OIL LINES AND HOSES, LOWER (TWO WHEEL DRIVE)

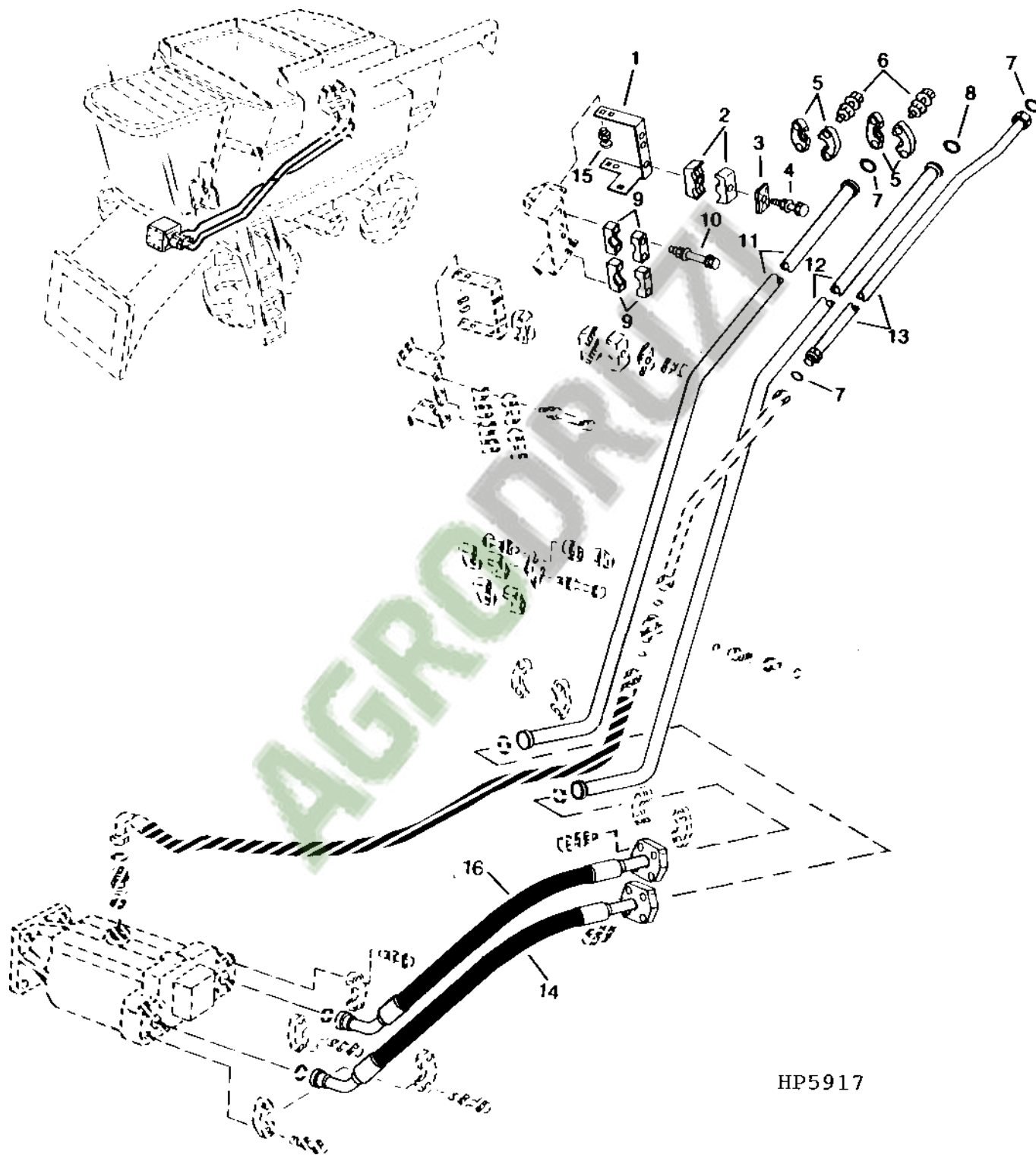
(655201-)
HP5698 -UN-01JAN94



HP5698

4F20

HYDROSTATIC DRIVE OIL LINES AND HOSES, LOWER
(SIDEHILL)
(-655200)
HP5917 -UN-14FEB95

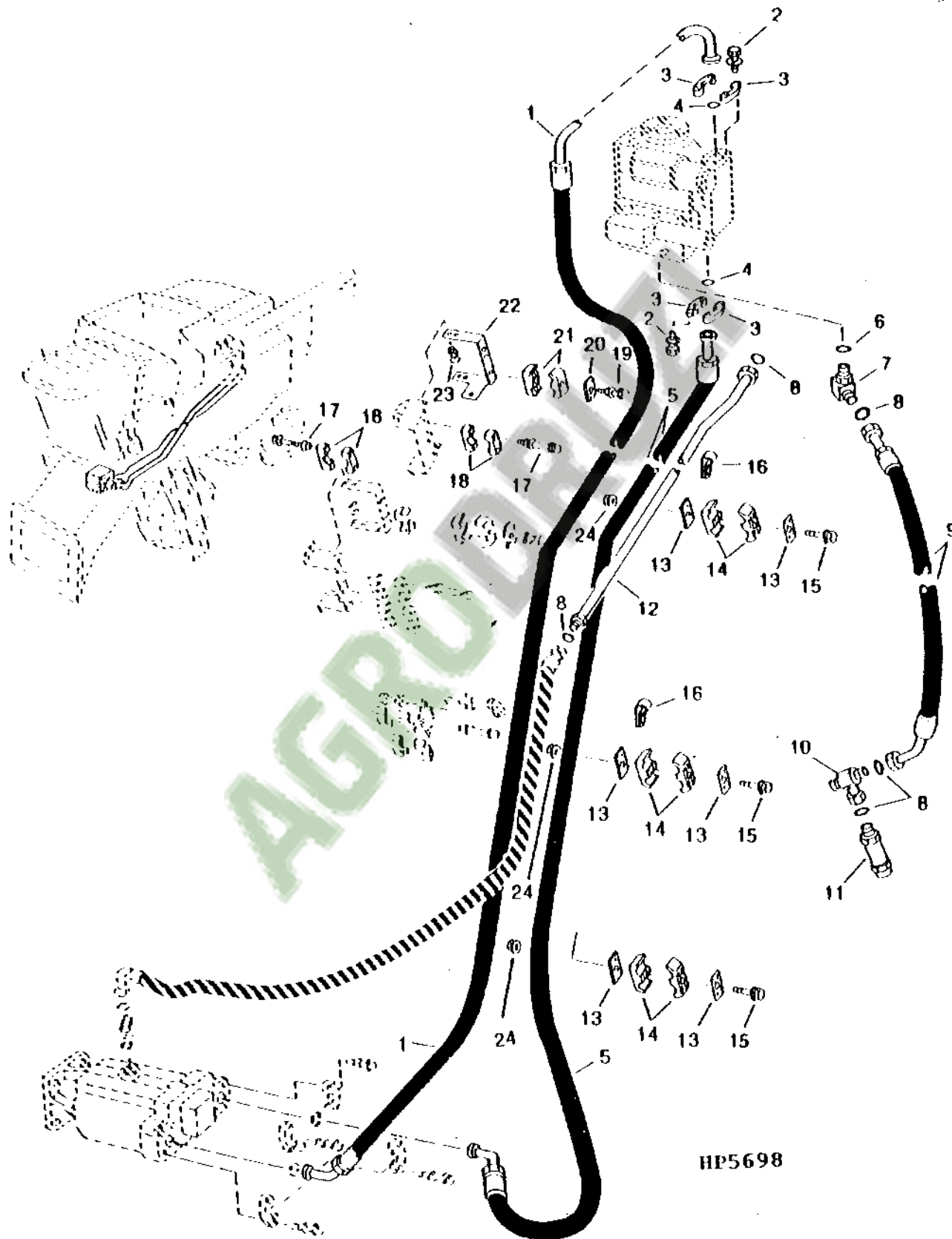


HP5917

4F22

HYDROSTATIC DRIVE OIL LINES AND HOSES, LOWER (SIDEHILL TWO WHEEL DRIVE)

(655201-)
HP5698 -UN-01JAN94

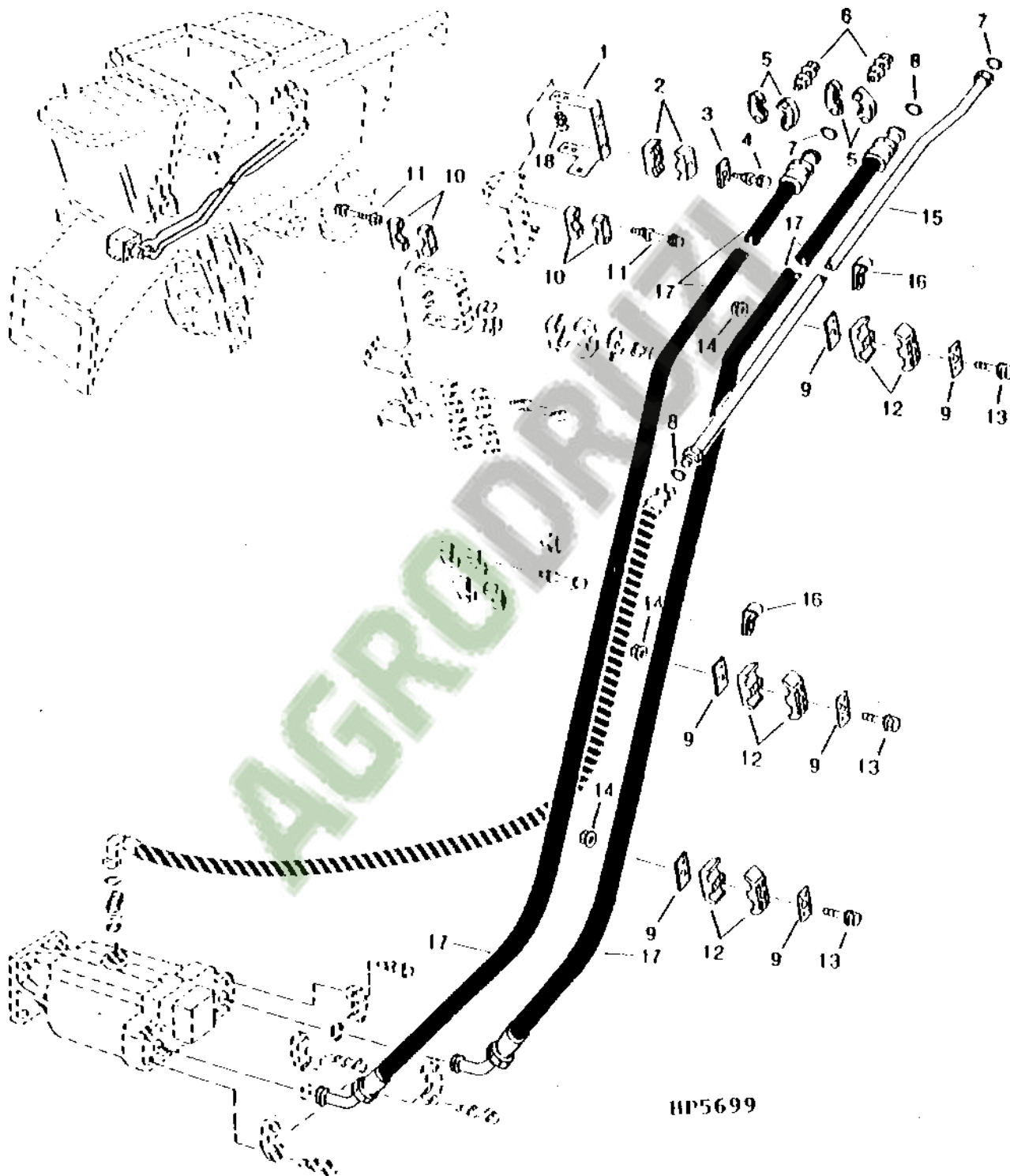


HP5698

4F24

HYDROSTATIC DRIVE OIL LINES AND HOSES, LOWER (SIDEHILL FOUR WHEEL DRIVE)

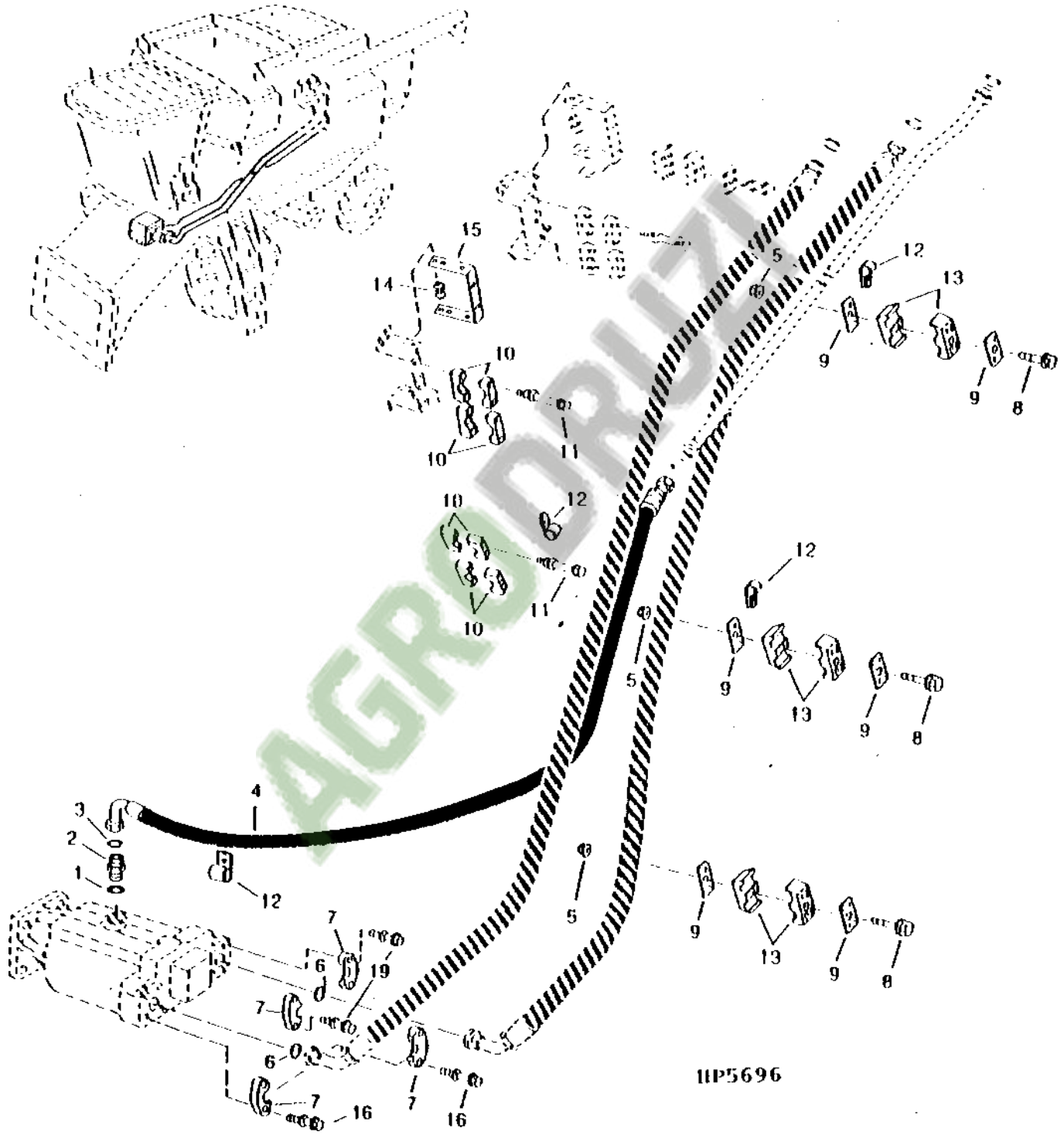
(655201-)
HP5699 -UN-01JAN94



HP5699

HYDROSTATIC DRIVE OIL LINES AND HOSES, LOWER
(SIDEHILL FOUR WHEEL DRIVE)

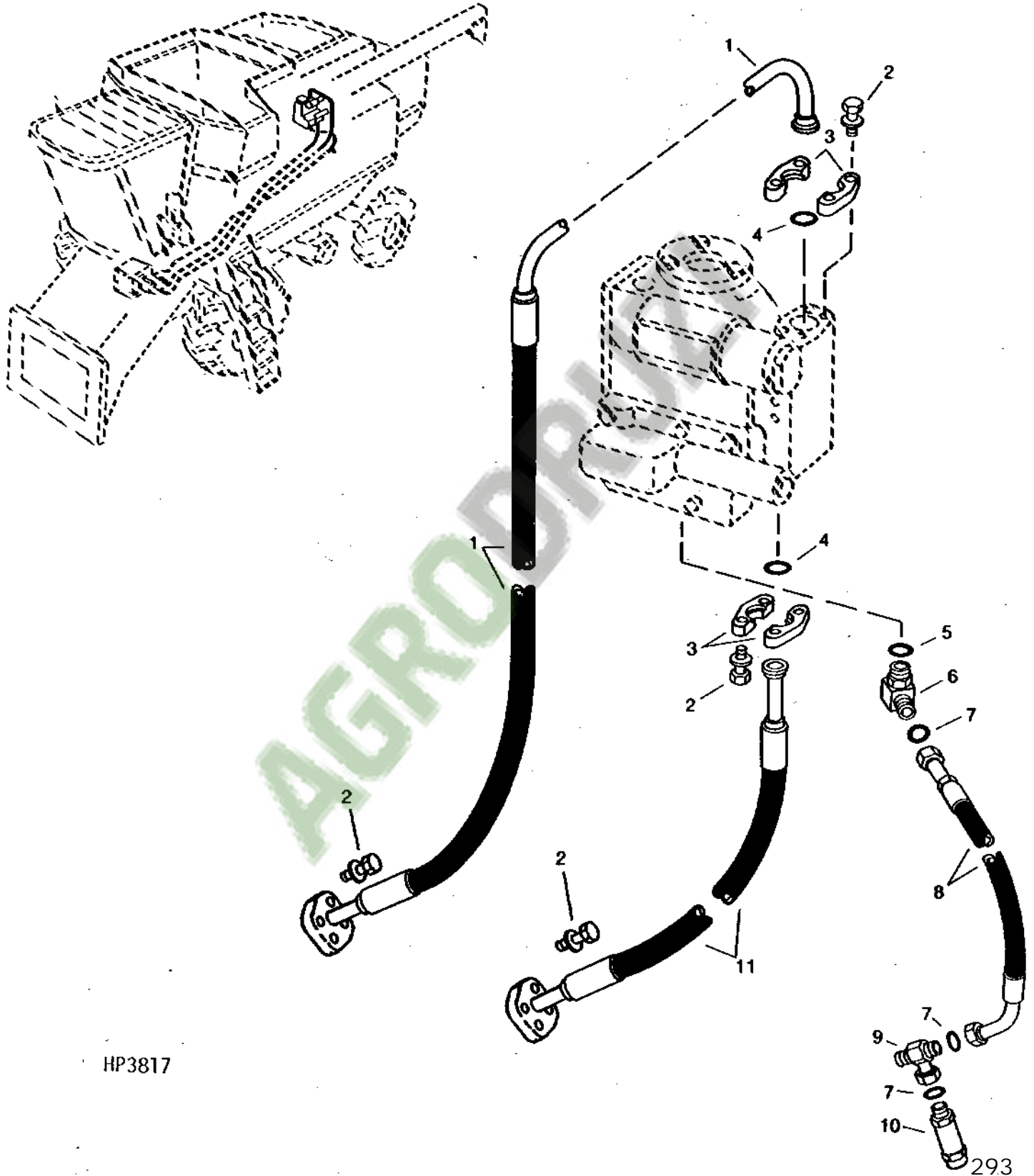
(655201-)
HP5696 -UN-01JAN94



HP5696

4G3

HYDROSTATIC DRIVE HOSES, UPPER
(FOUR WHEEL DRIVE)
(-655200)
HP3817 -UN-01JAN94



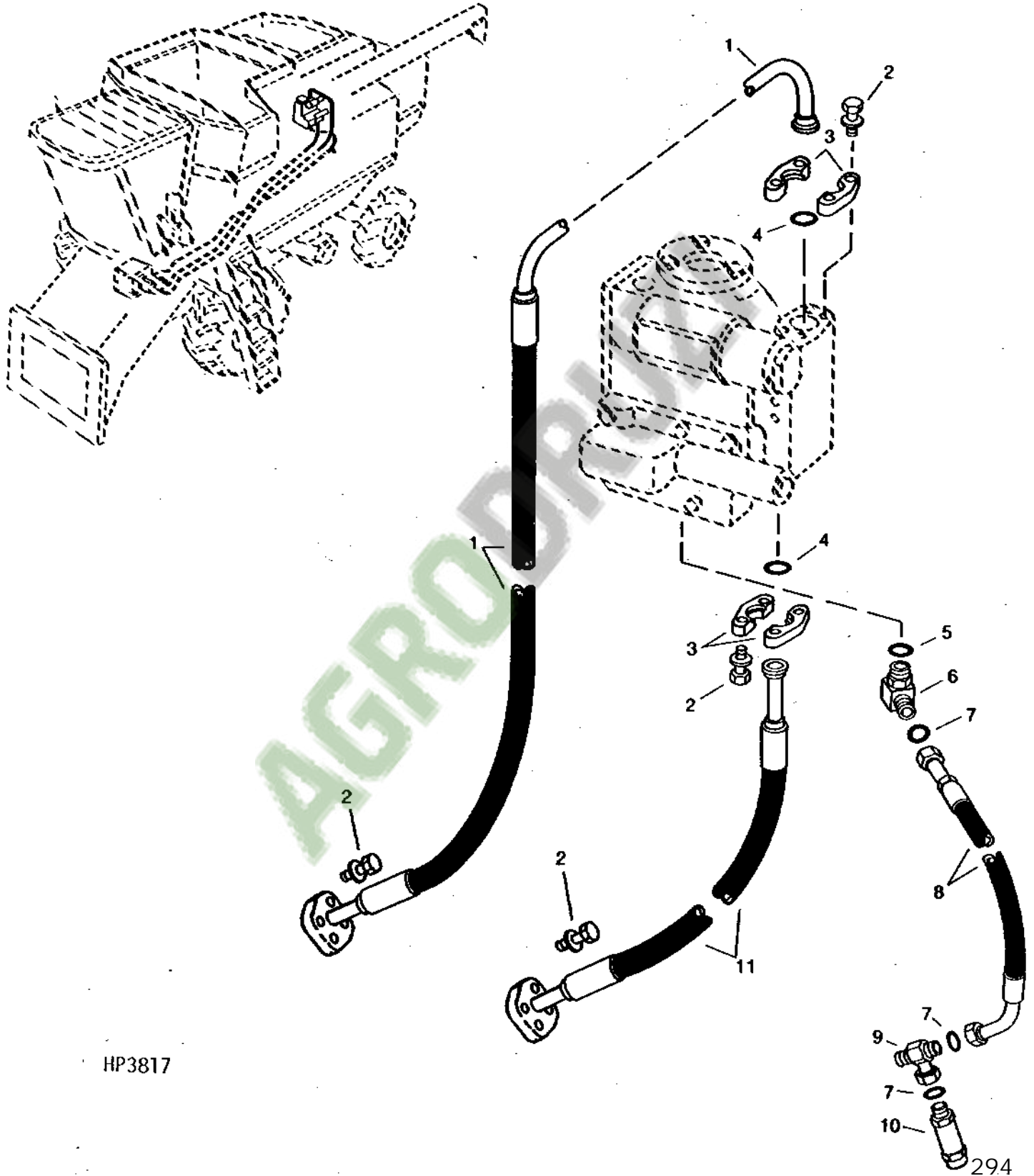
HP3817

293

4G5

POWER TRAIN

HYDROSTATIC DRIVE HOSES, UPPER
(FOUR WHEEL DRIVE)
(655201-)
HP3817 -UN-01JAN94

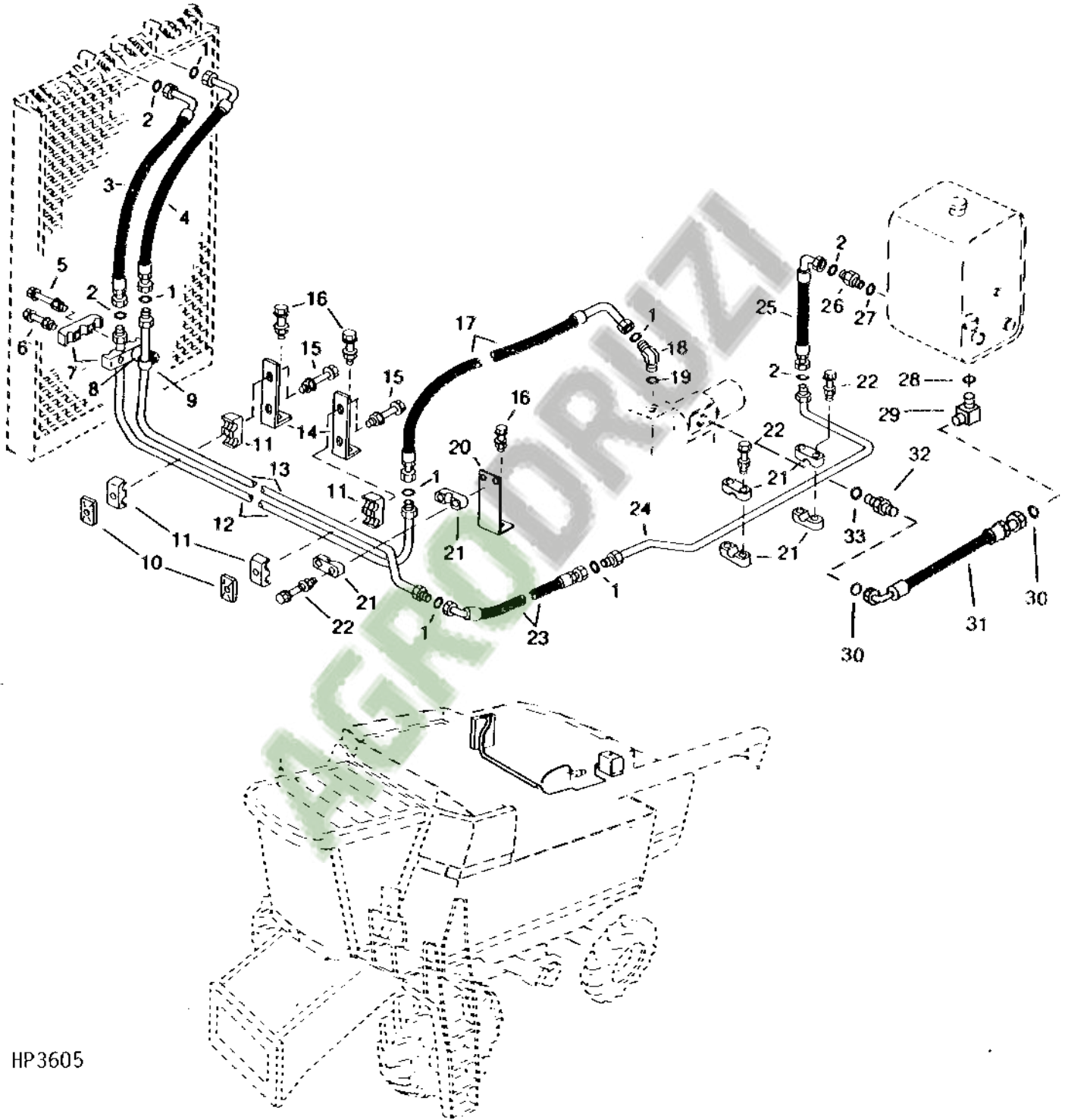


HP3817

HYDROSTATIC OIL COOLER LINES AND HOSES

(-640200)

HP3605 -UN-01JAN94



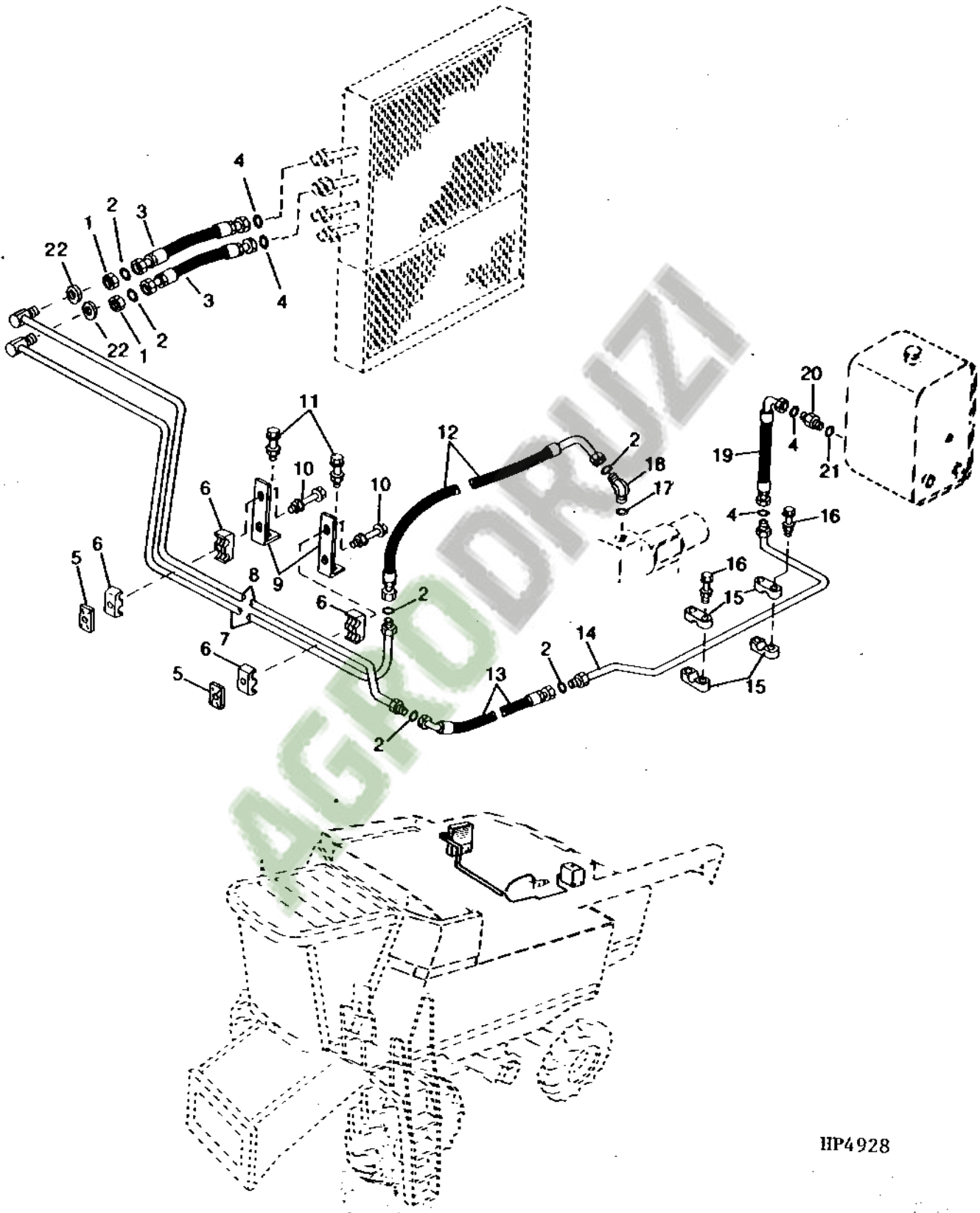
HP3605

HYDROSTATIC OIL COOLER LINES AND HOSES

(640201-665200)

HP4928

-UN-01JAN94



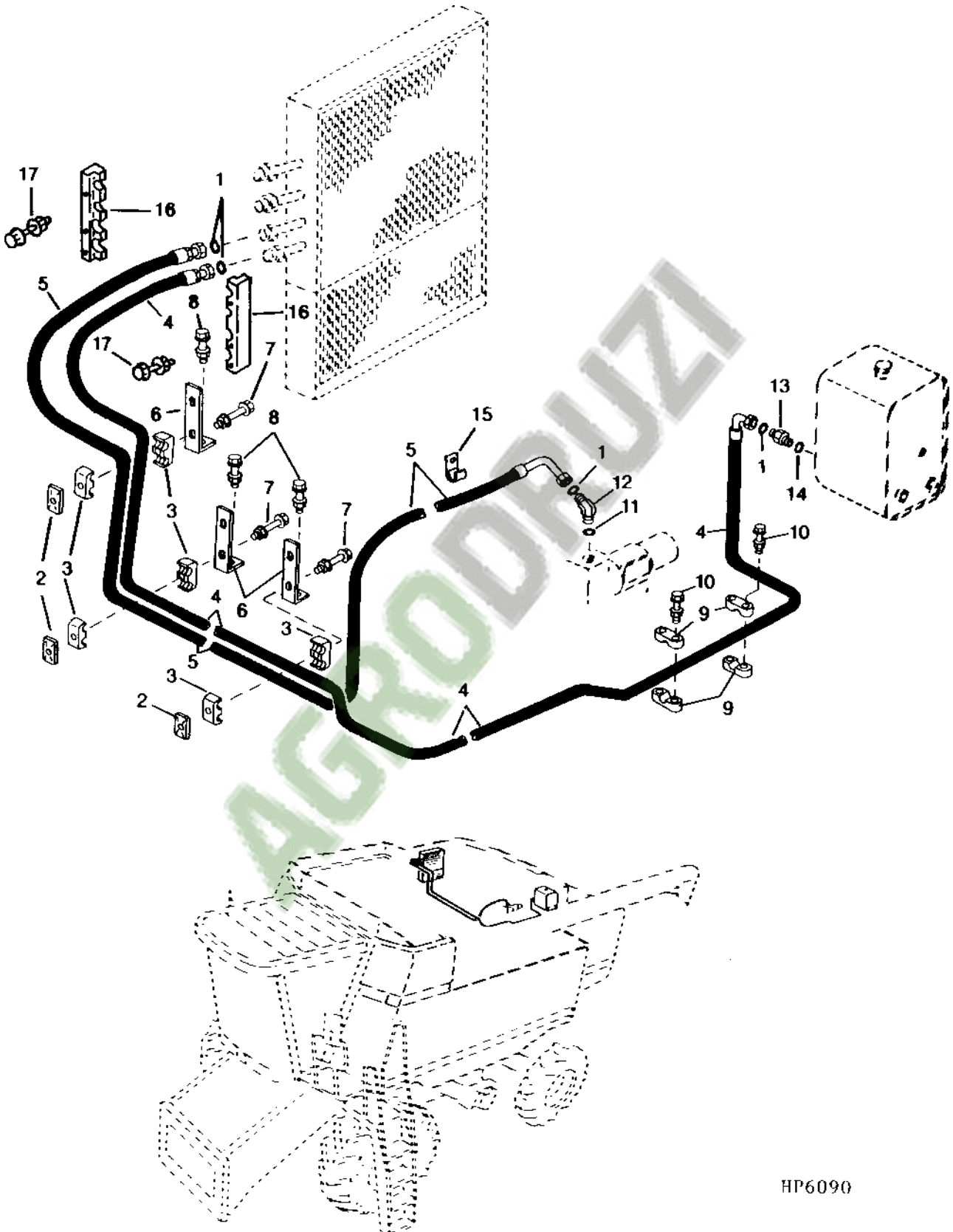
HP4928

296

4G11

HYDROSTATIC OIL COOLER LINES AND HOSES

(665201-)
HP6090 -UN-14JUN95



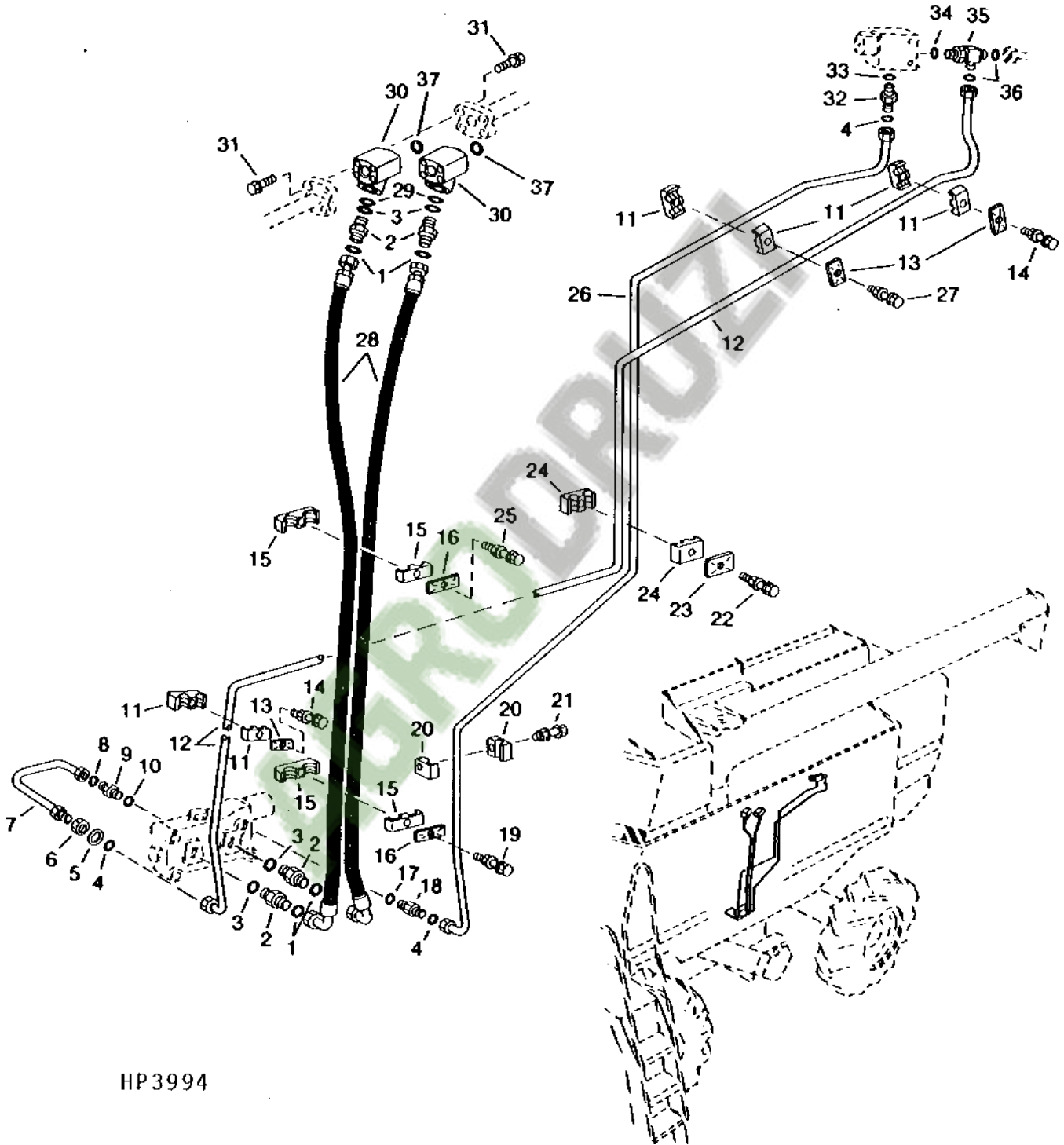
HP6090

4G13

4-WHEEL DRIVE HYDRAULIC LINES AND HOSES, L.H. SIDE

(-655200)

HP3994 -UN-01JAN94

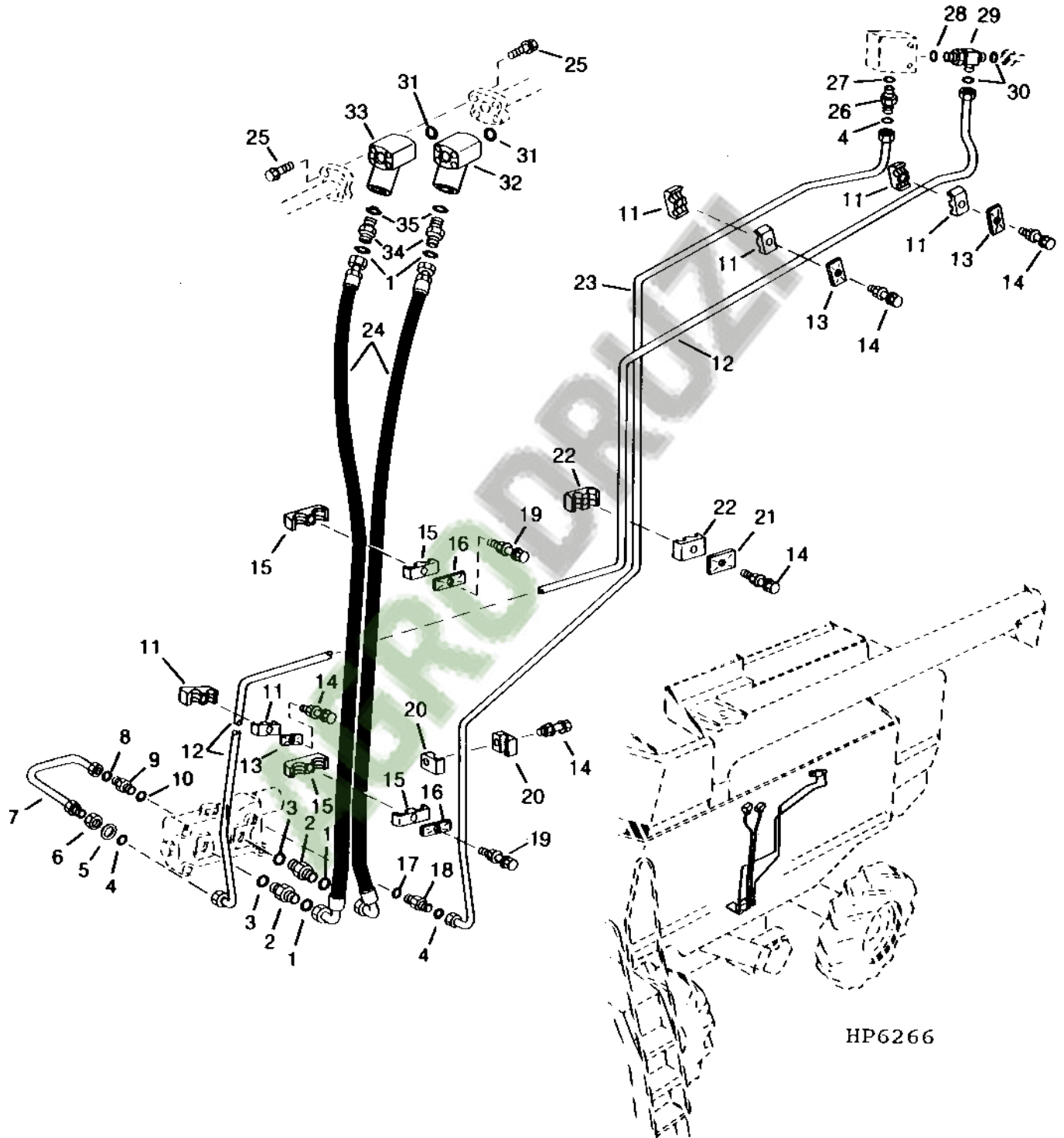


HP3994

4G15

4-WHEEL DRIVE HYDRAULIC LINES AND HOSES, L.H. SIDE

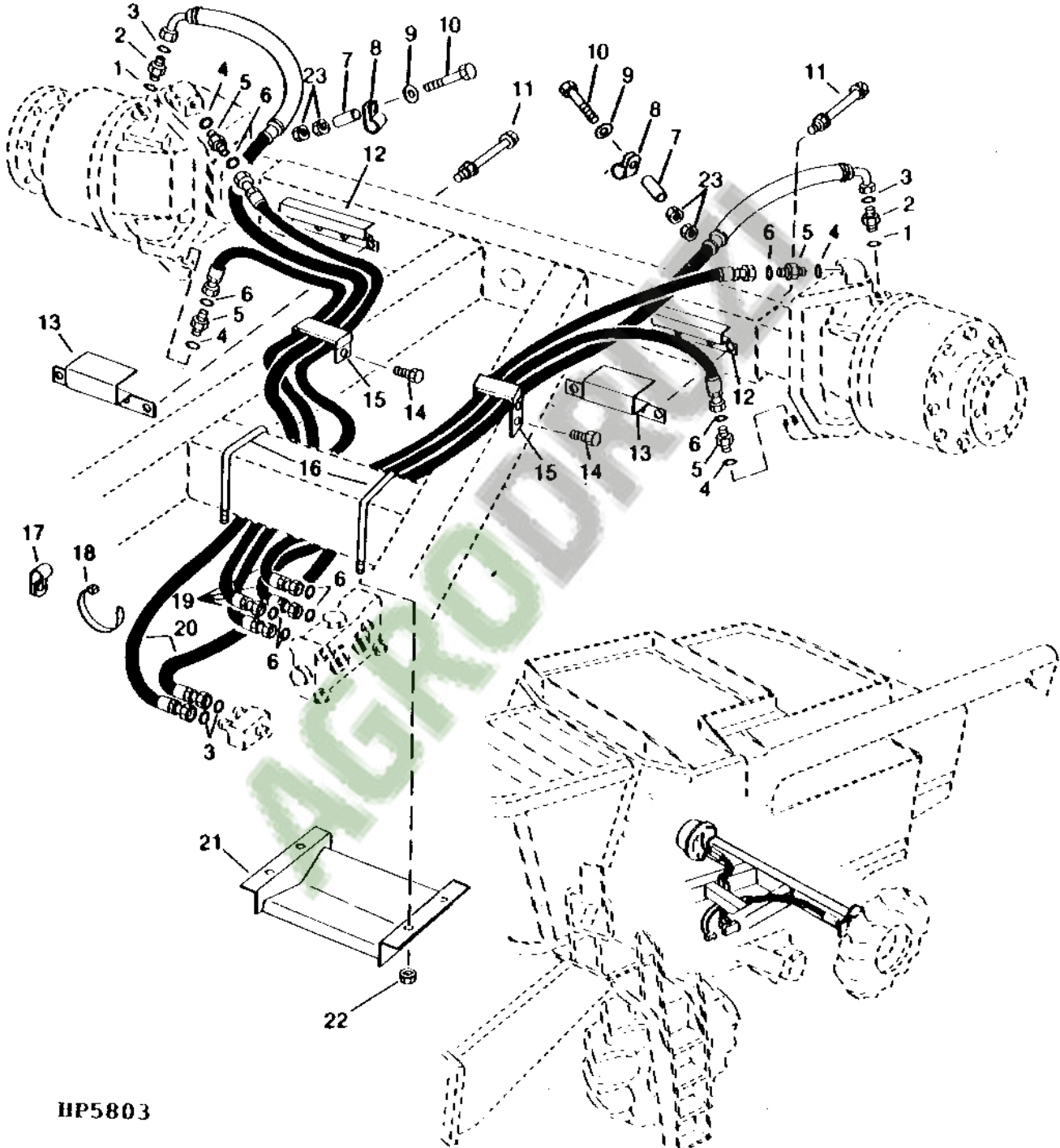
(655201-)
HP6266 -UN-17JAN96



HP6266

4-WHEEL DRIVE LINES AND HOSES (FROM FLOW CONTROL VALVE TO CAM LOBE MOTORS)

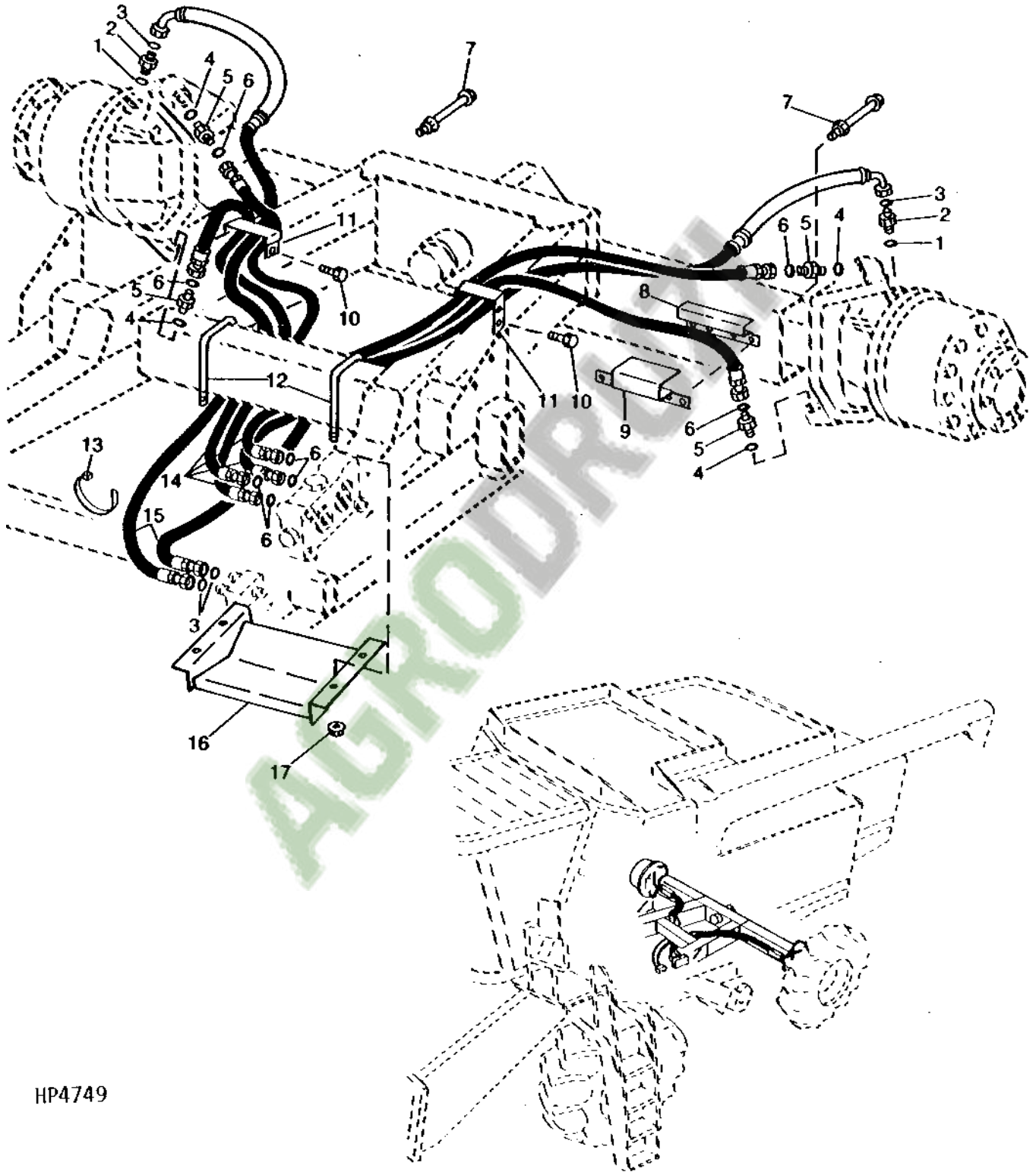
HP5803 -UN-01JAN94



HP5803

4G19

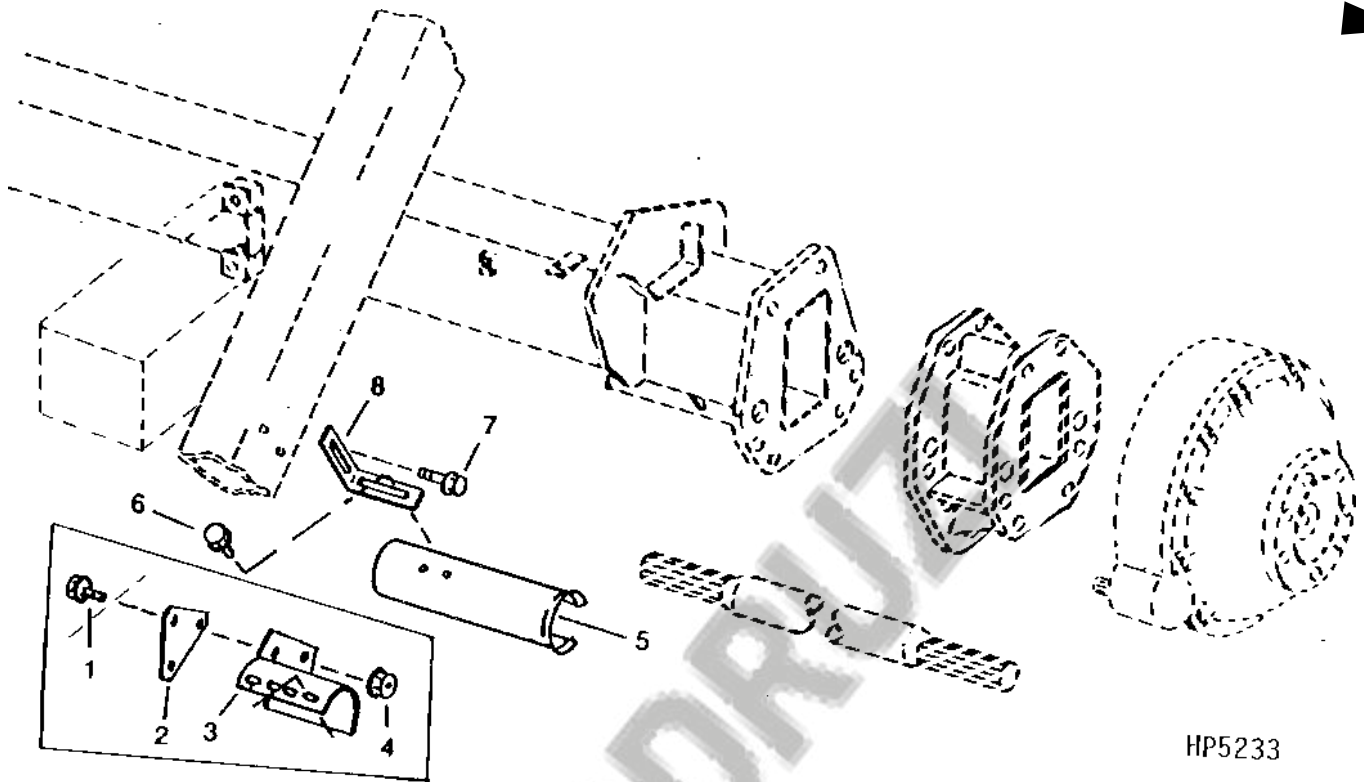
4-WHEEL DRIVE LINES AND HOSES (SIDEHILL)
(FROM FLOW CONTROL VALVE TO CAM LOBE MOTORS)
HP4749 -UN-01JAN94



HP4749

4G21

FINAL DRIVE SHAFT SHIELDS - (RING AND PINION)
 (FOR RICE ONLY)
 (LEFT-HAND SIDE ILLUSTRATED)
 HP5233 -UN-01JAN94

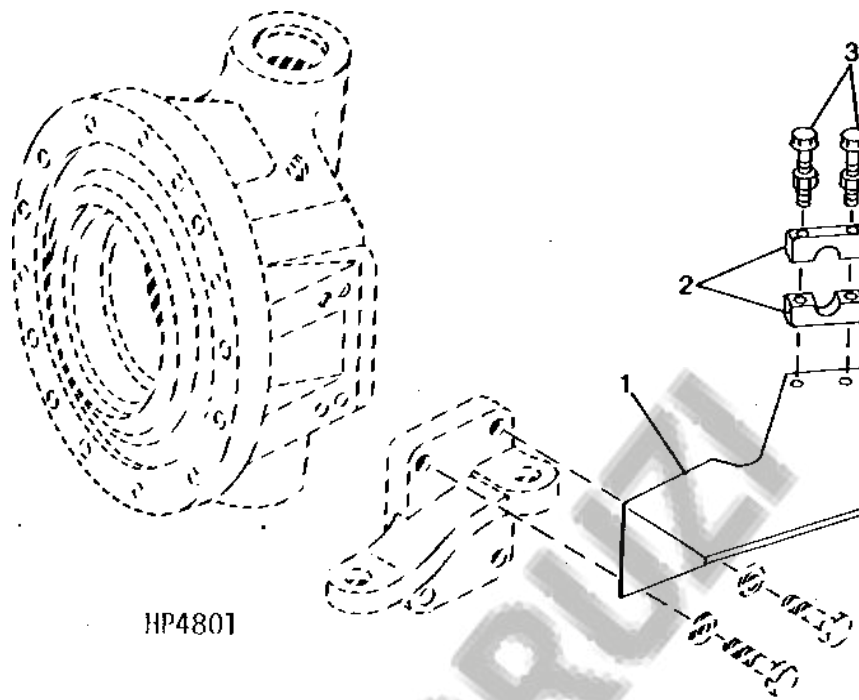


KEY	PART NO.	PART NAME	QTY	SERIAL NO.	REMARKS
-----	----------	-----------	-----	------------	---------

S
H
9 9
5 5
0 0
0 0

AGRODRIFT

MUD SHIELDS - POWERED REAR WHEELS
 HP4801 -UN-01JAN94



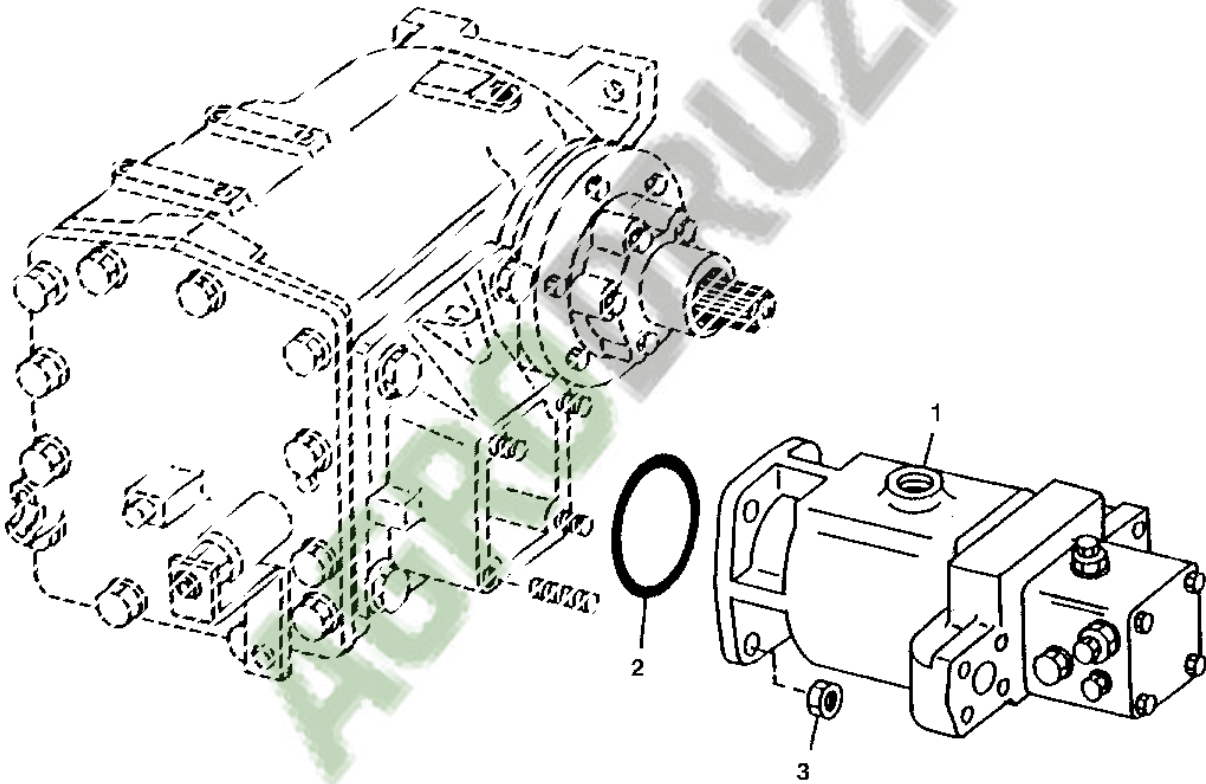
HP4801

KEY	PART NO.	PART NAME	QTY	SERIAL NO.	REMARKS
				S	
				H	
				9	
				5	
				0	
				0	

AGRODRIVE

4G23

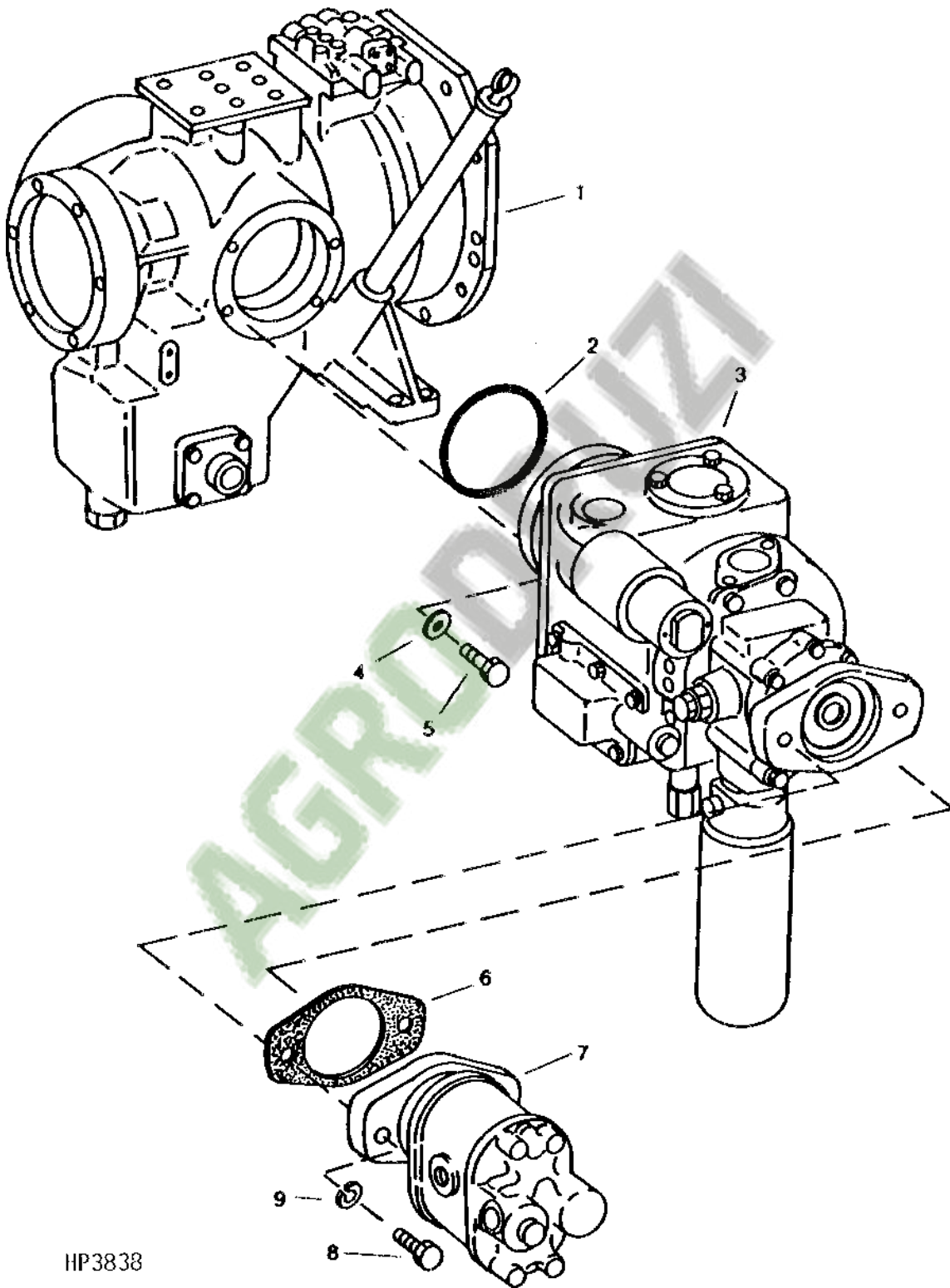
HYDROSTATIC DRIVE MOTOR
HP6551 -UN-23AUG96



HP6551

4H1

ENGINE GEARCASE - HYDROSTATIC DRIVE PUMP - MAIN HYDRAULIC PUMP CONNECTING HARDWARE
HP3838 -UN-01JAN94

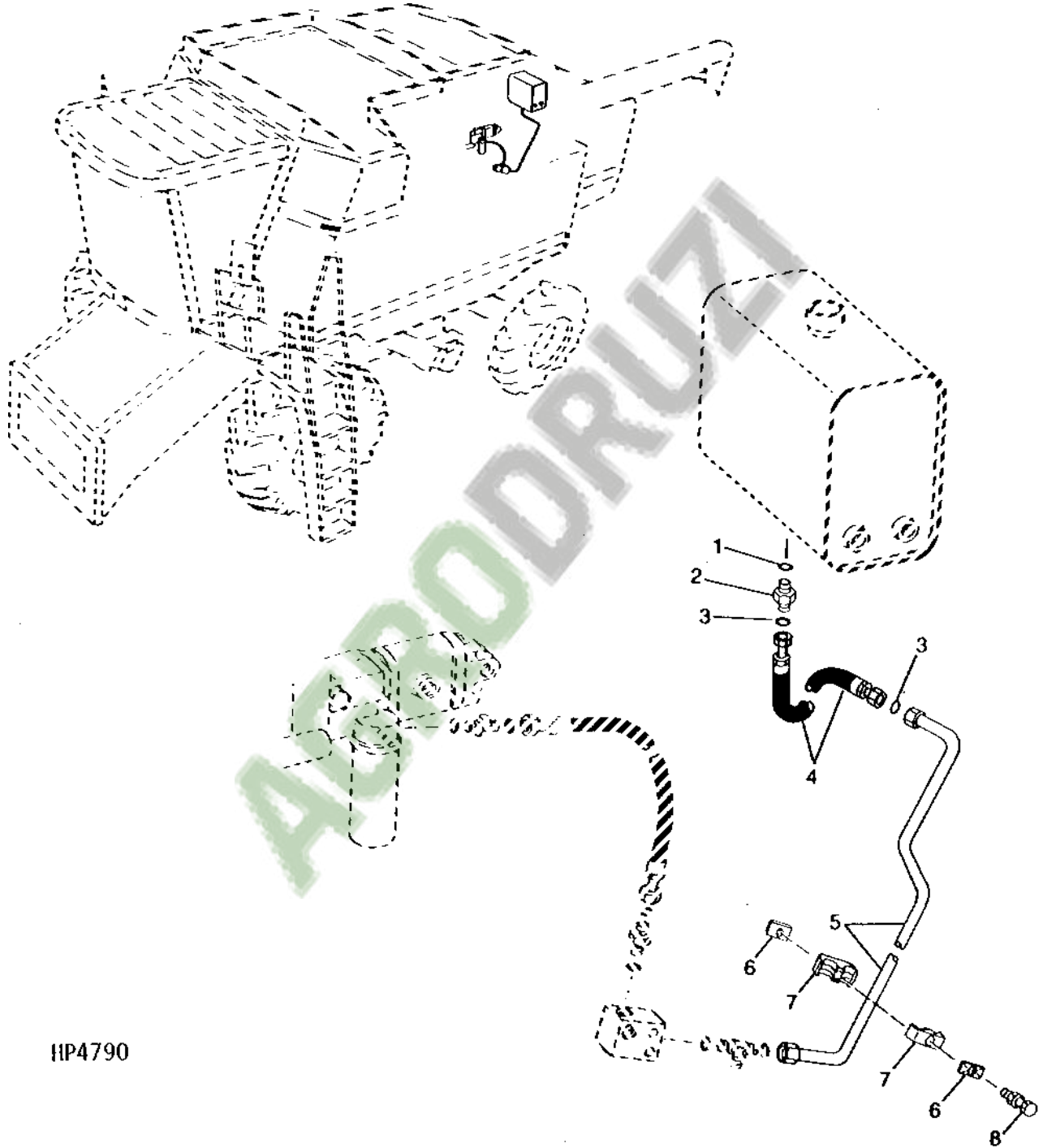


HP3838

4H3

RETURN LINE TO RESERVOIR - 4-WHEEL DRIVE

SIDEHILL (-651132)
HP4790 -UN-01JAN94

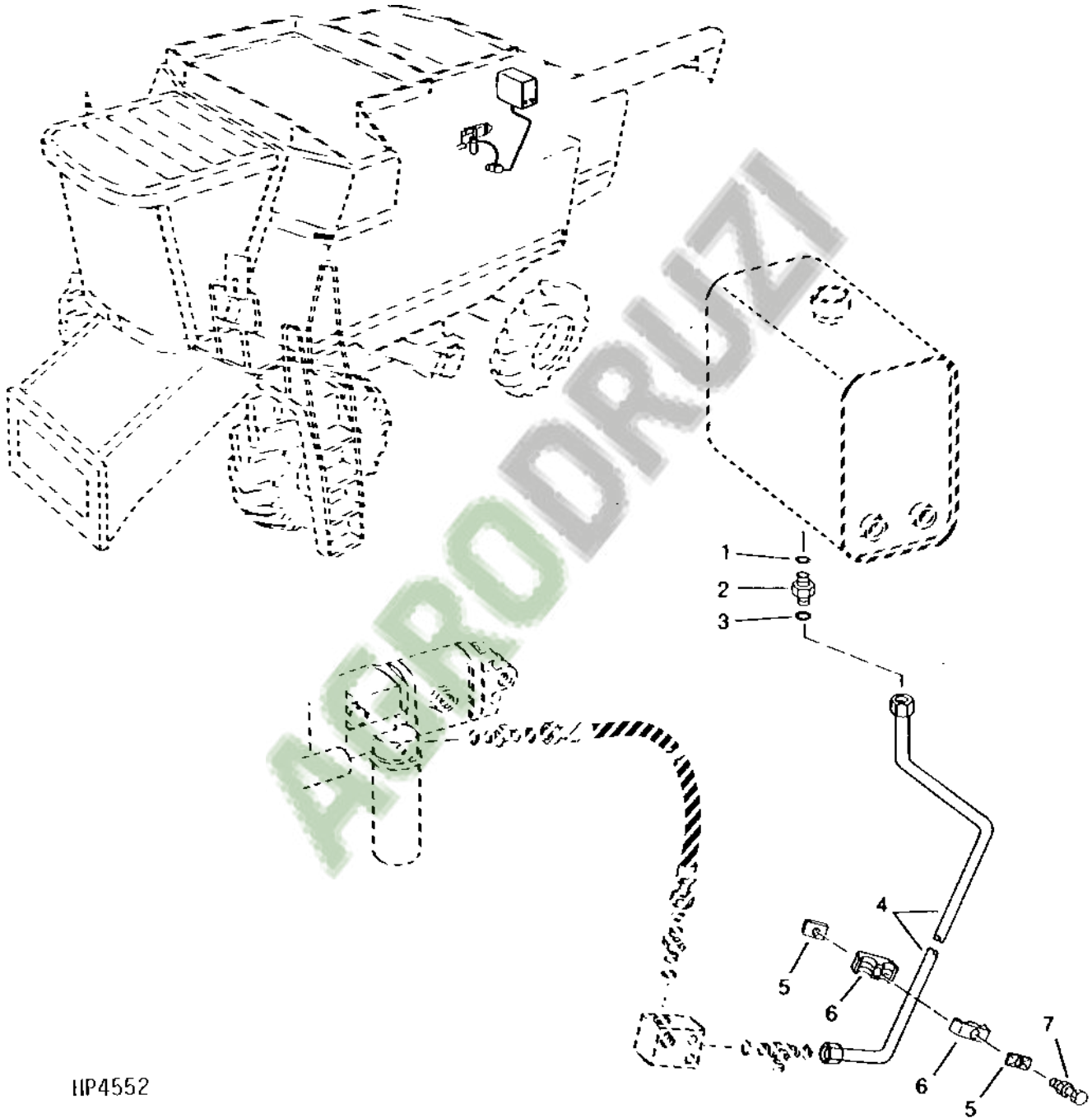


HP4790

4H5

RETURN LINE TO RESERVOIR - 4-WHEEL DRIVE

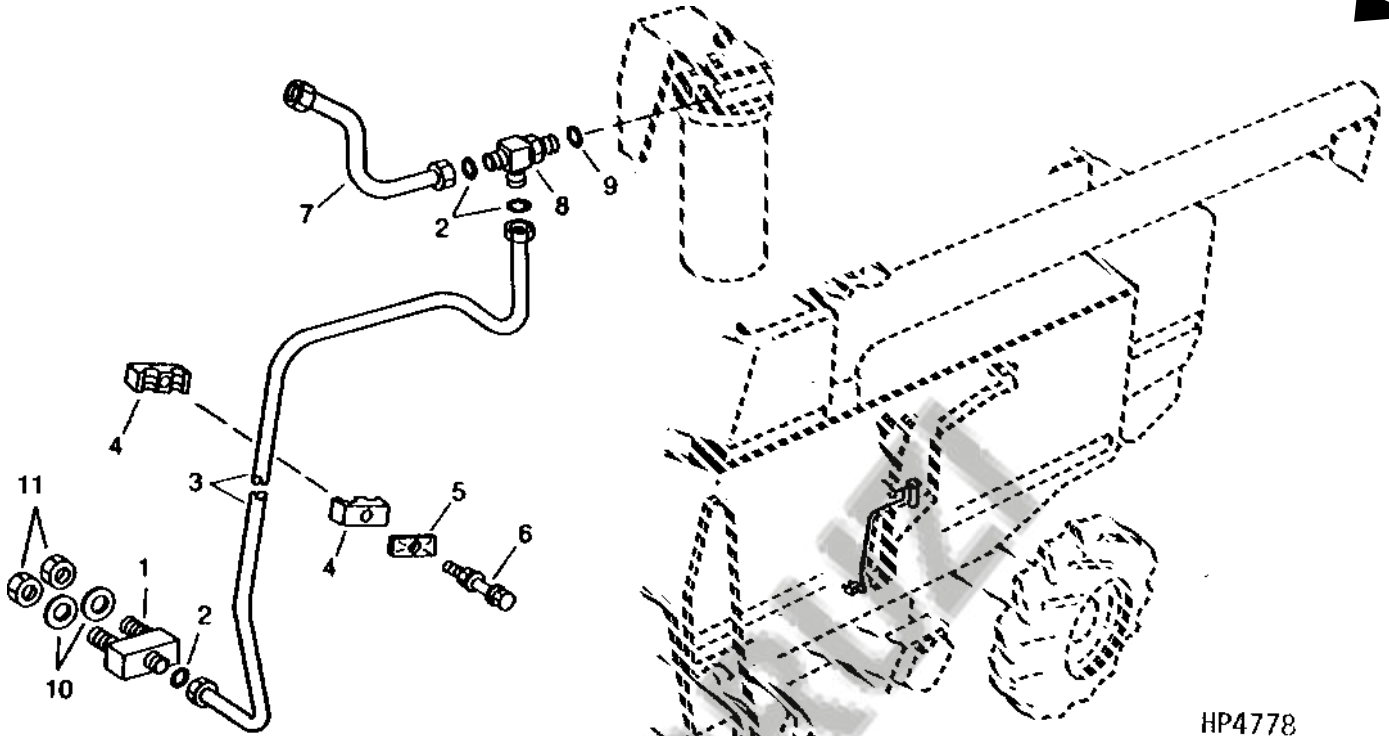
(640201-)
(651133-) SIDEHILL
HP4552 -UN-01JAN94



HP4552

4H7

4-WHEEL DRIVE CASE DRAIN HYDRAULIC LINES
 HP4778 -UN-01JAN94

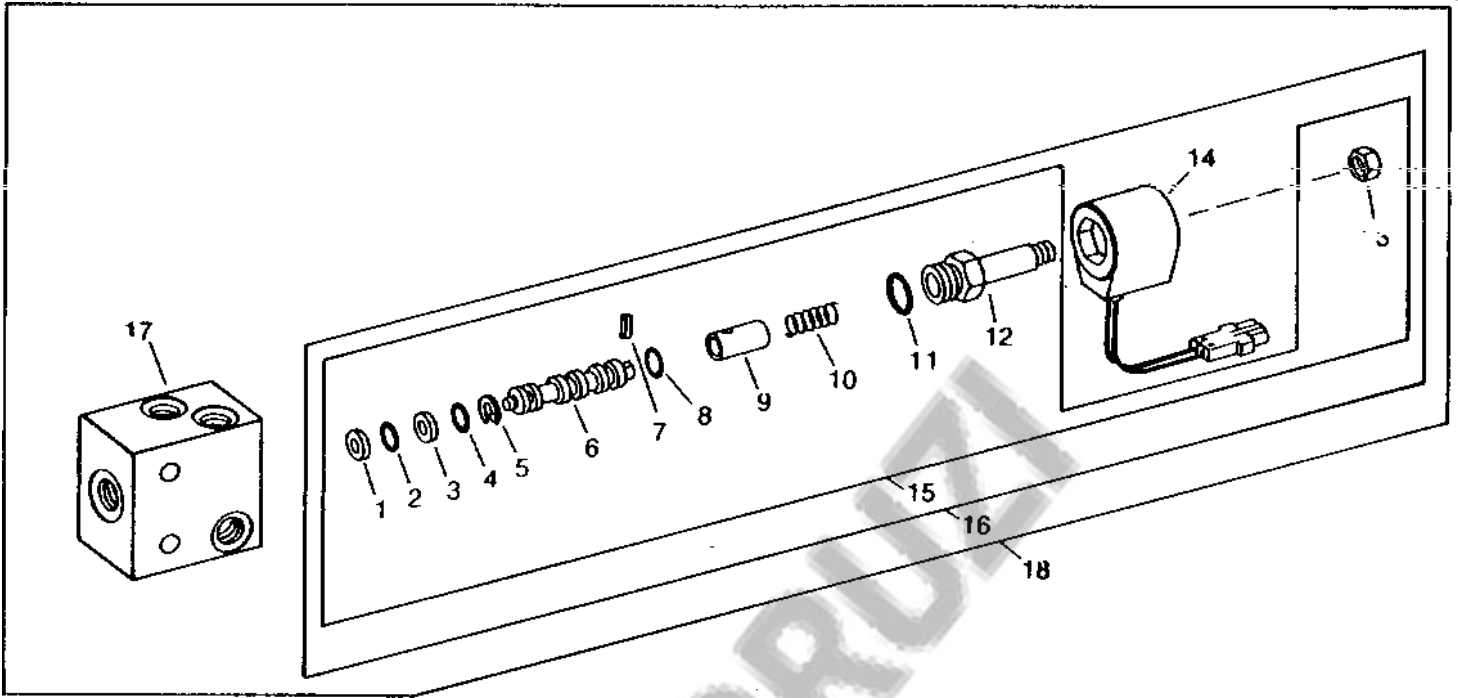


KEY	PART NO.	PART NAME	QTY	SERIAL NO.	REMARKS
				S	
				H	
				9 9	
				5 5	
				0 0	
				0 0	

AGRODITA

HP4778

PARKING BRAKE VALVE
 (-640200)
 HP2987 -UN-01JAN94



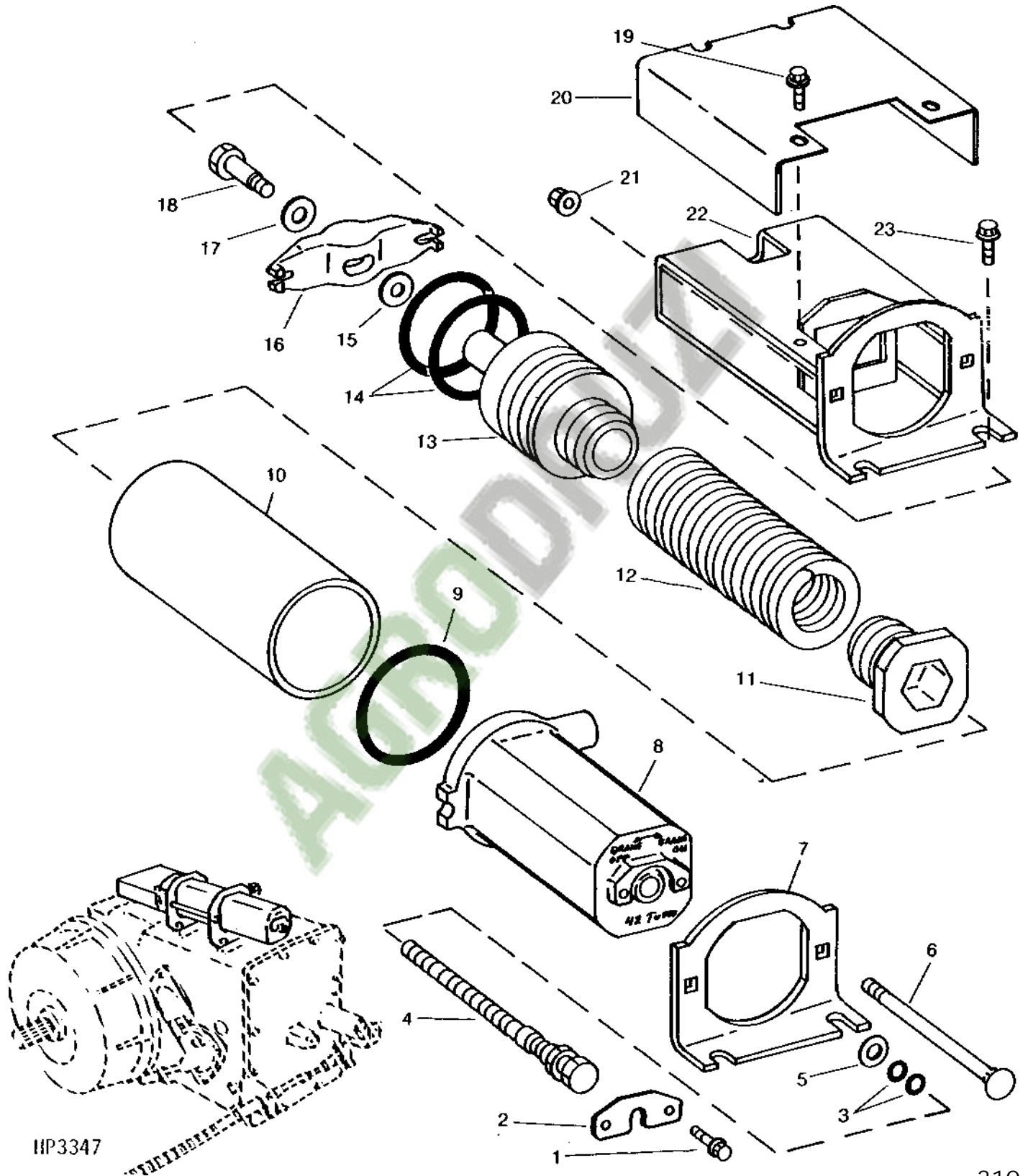
HP2987

KEY	PART NO.	PART NAME	QTY	SERIAL NO.	REMARKS
				S	
				H	
				9	
				9	
				5	
				5	
				0	
				0	
				0	
				0	

AGRODRIVE

5C5

PARK BRAKE ACTUATOR
(-640200)
HP3347 -UN-01JAN94



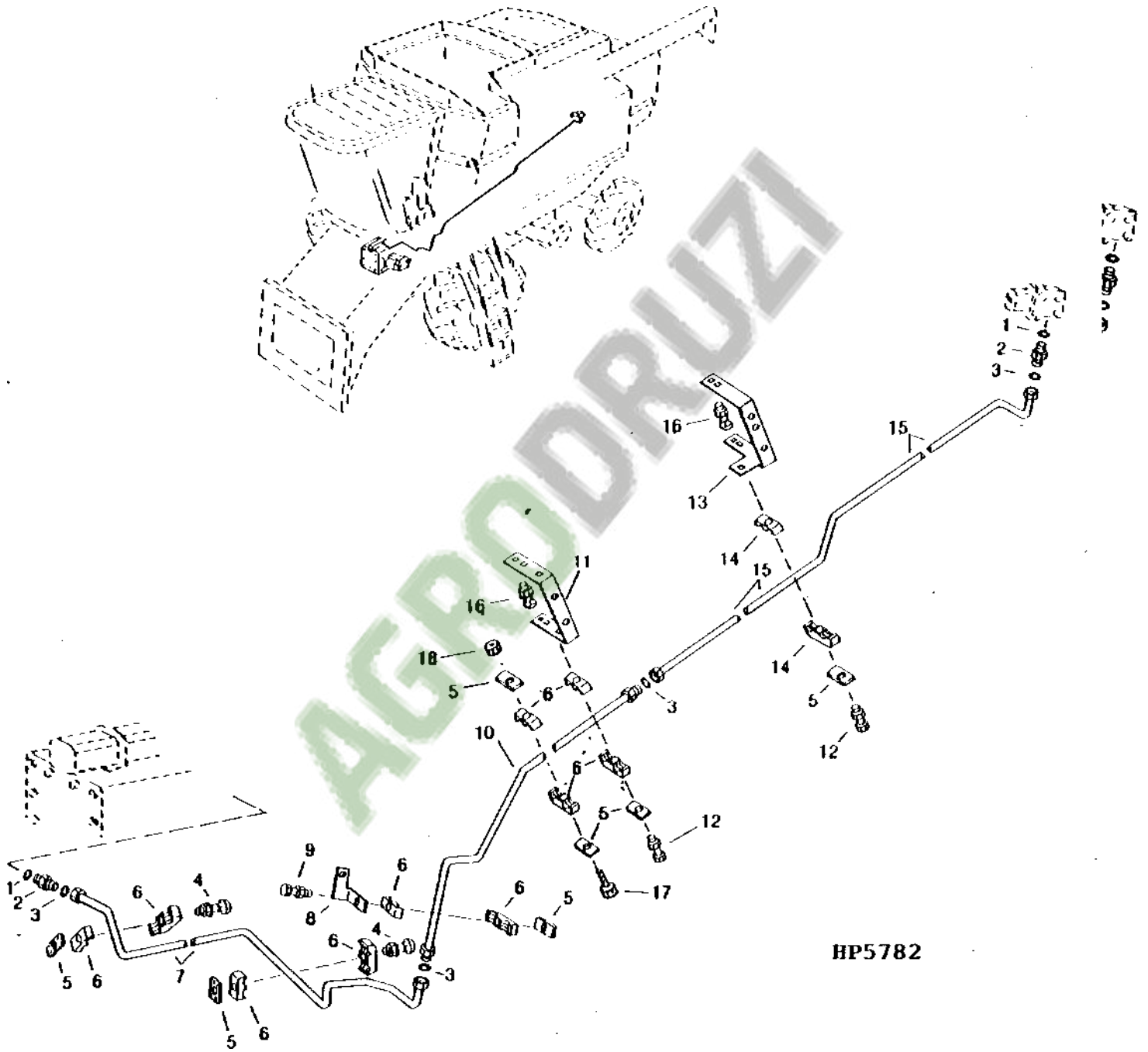
HP3347

310

PARKING BRAKE LINES, LOWER

(-640200)

HP5782 -UN-01JAN94



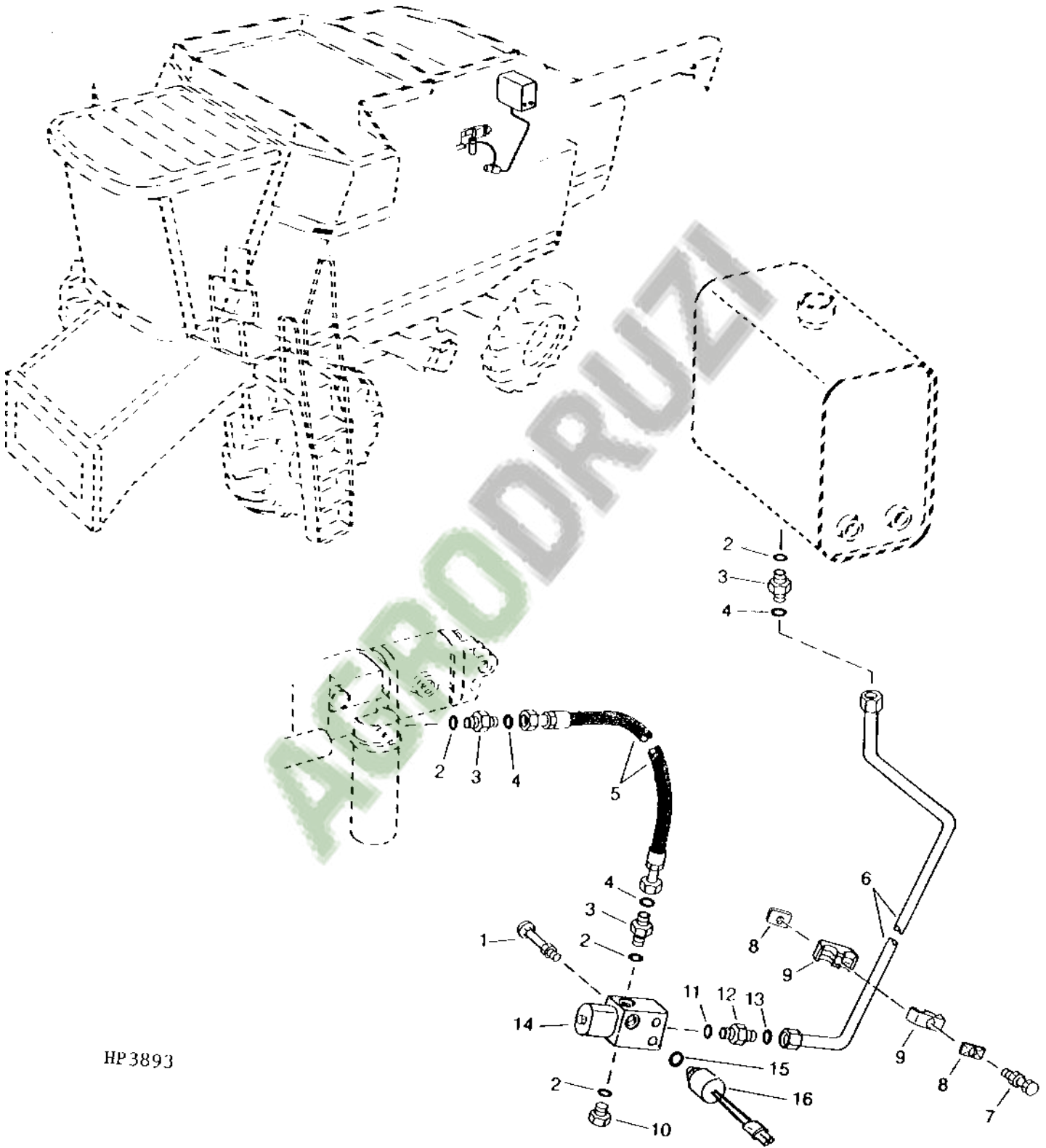
HP5782

5C9

PARKING BRAKE LINES AND HOSES, UPPER

(-640200)

HP3893 -UN-01JAN94



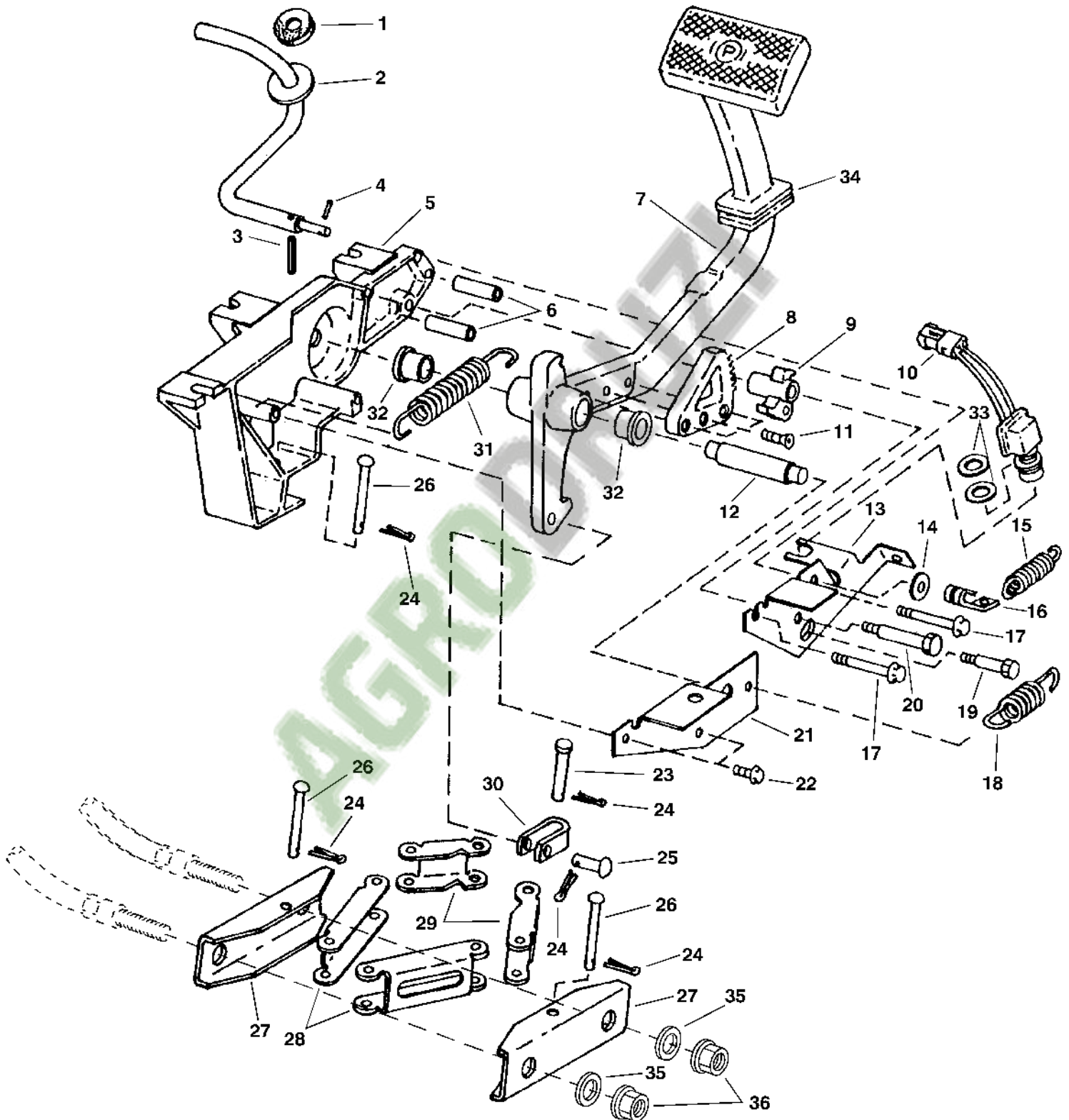
HP3893

312

5C11

PARKING BRAKE PEDAL AND FRAME

HP6710 -UN-14MAY97



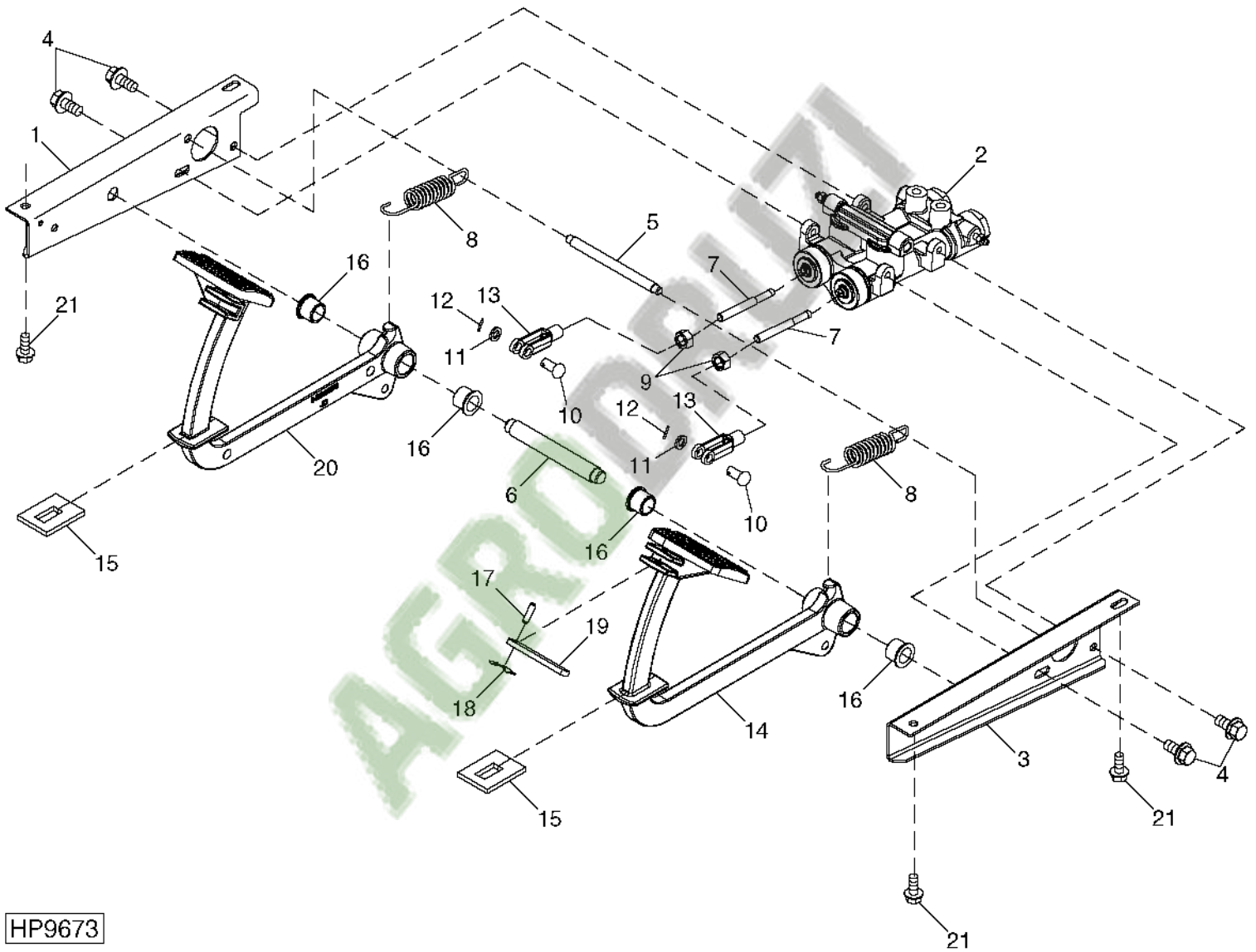
HP6710

313

5C13

BRAKE PEDALS AND MASTER CYLINDERS

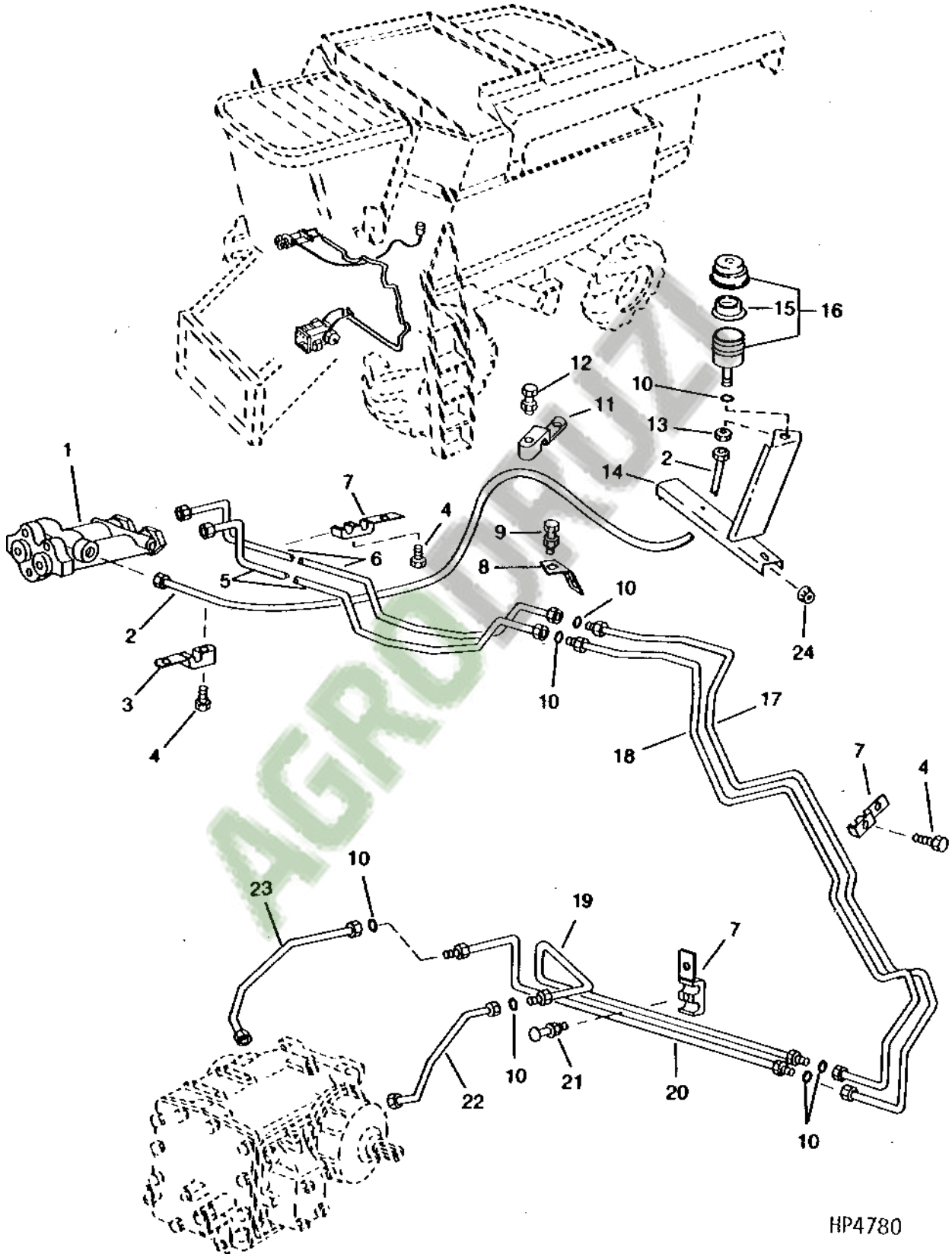
HP9673 -UN-03APR00



HP9673

5C15

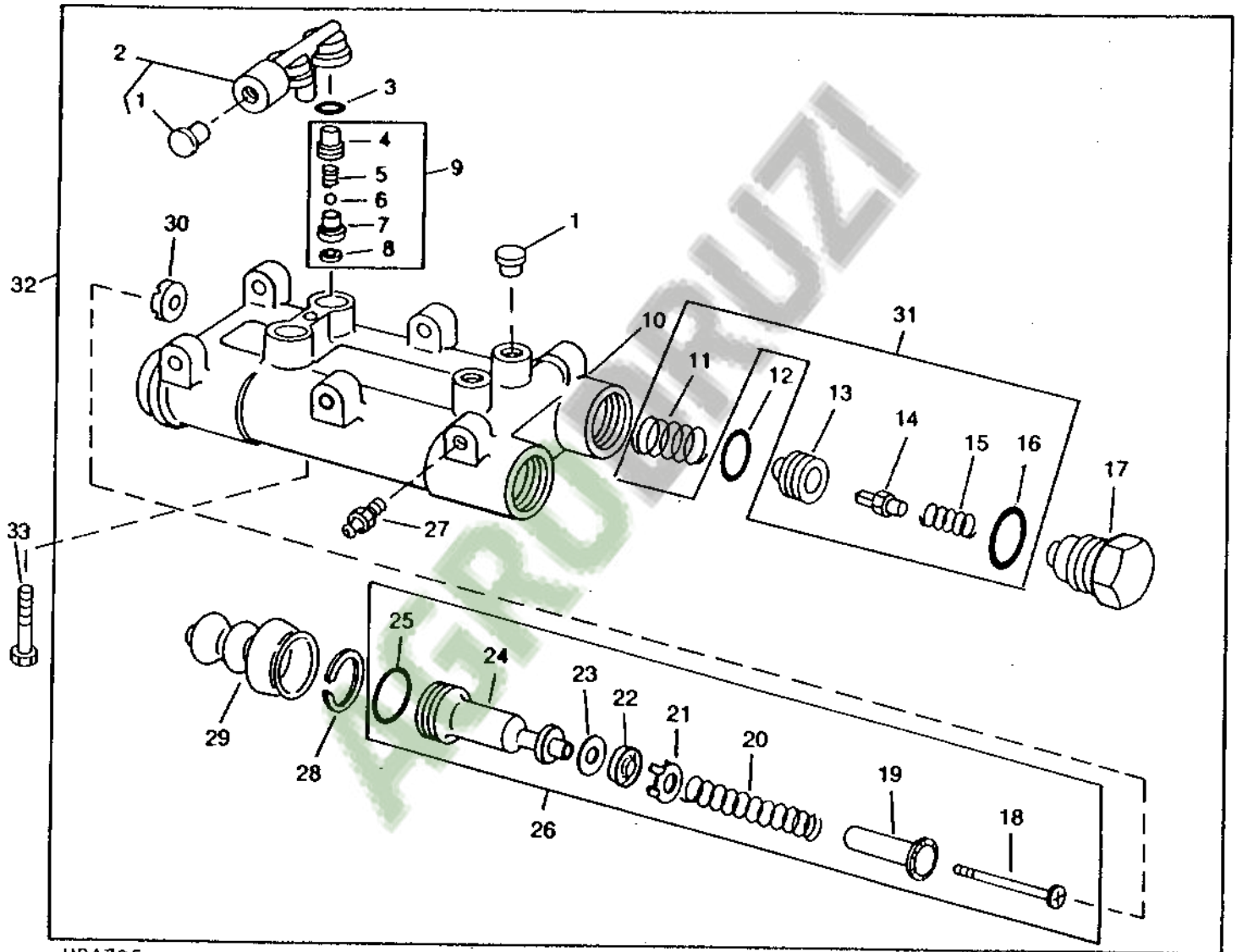
BRAKE LINES, MASTER CYLINDER AND RESERVOIR
HP4780 -UN-01JAN94



HP4780

5C17

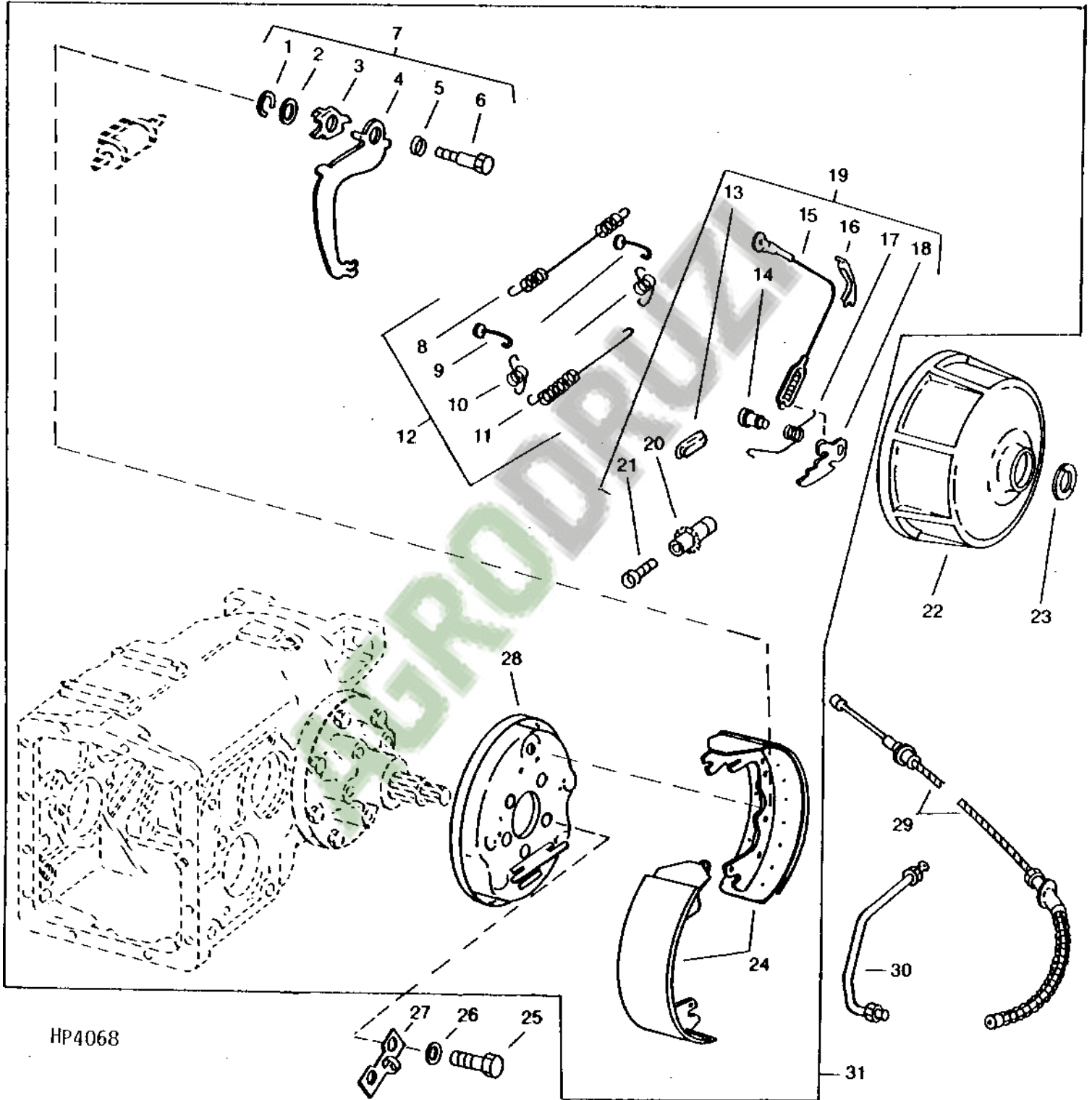
BRAKE MASTER CYLINDER
HP4735 -UN-01JAN94



HP4735

5C19

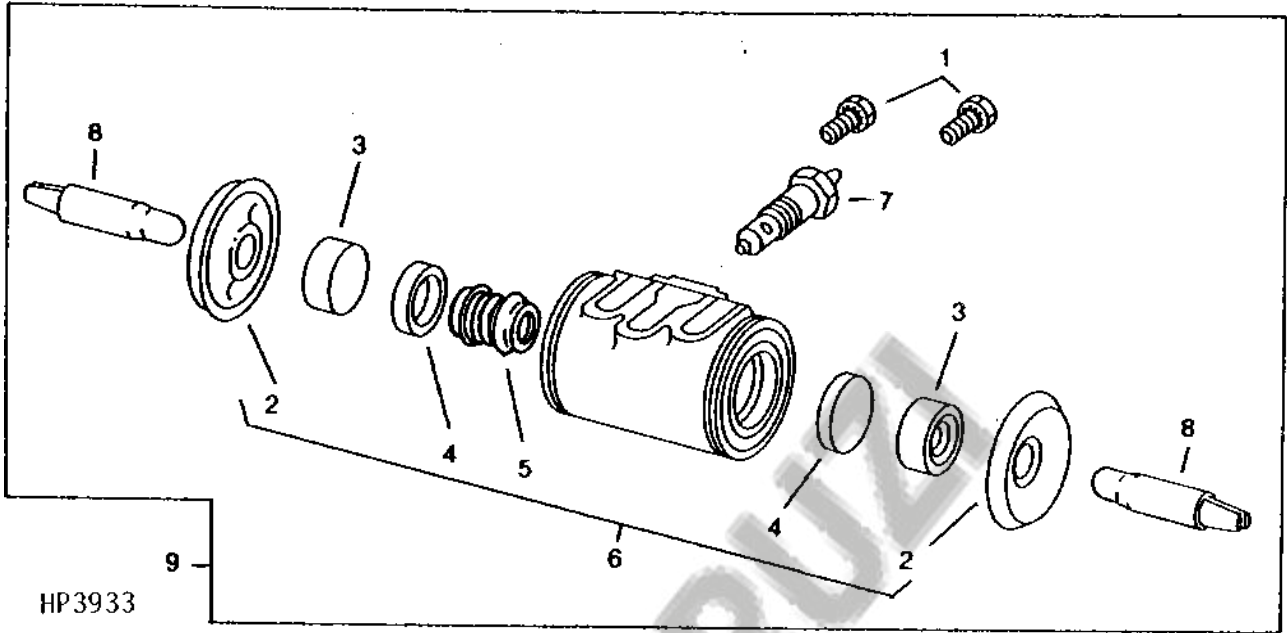
BRAKE SHOES AND DRUM
(L.H. ILLUSTRATED)
HP4068 -UN-01JAN94



HP4068

5C21

BRAKE SLAVE CYLINDER
HP3933 -UN-01JAN94



HP3933

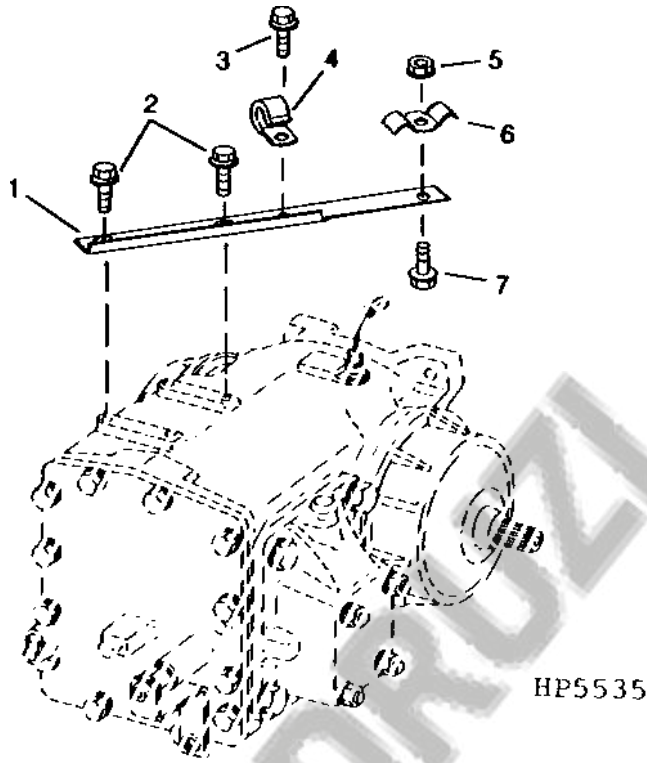
KEY	PART NO.	PART NAME	QTY	SERIAL NO.	REMARKS
				S	
				H	
				9 9	
				5 5	
				0 0	
				0 0	

AGRODRIVE

5C22

BRAKE CABLE SUPPORT BRACKET

(645231-)
HP5535 -UN-01JAN94



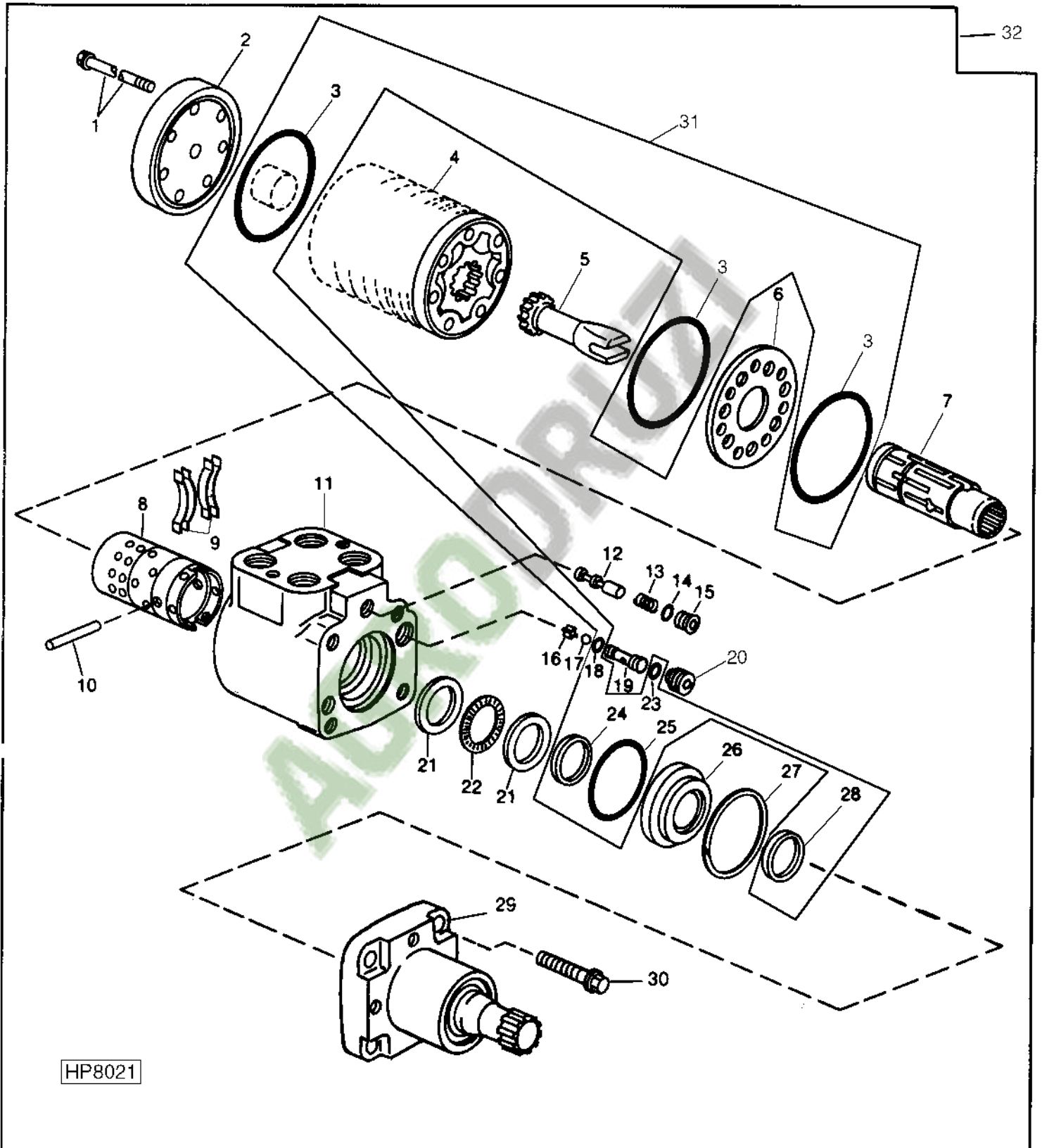
HP5535

KEY	PART NO.	PART NAME	QTY	SERIAL NO.	REMARKS
				S H 9 9 5 5 0 0	

5C23

STEERING PUMP

HP8021 -UN-30NOV98



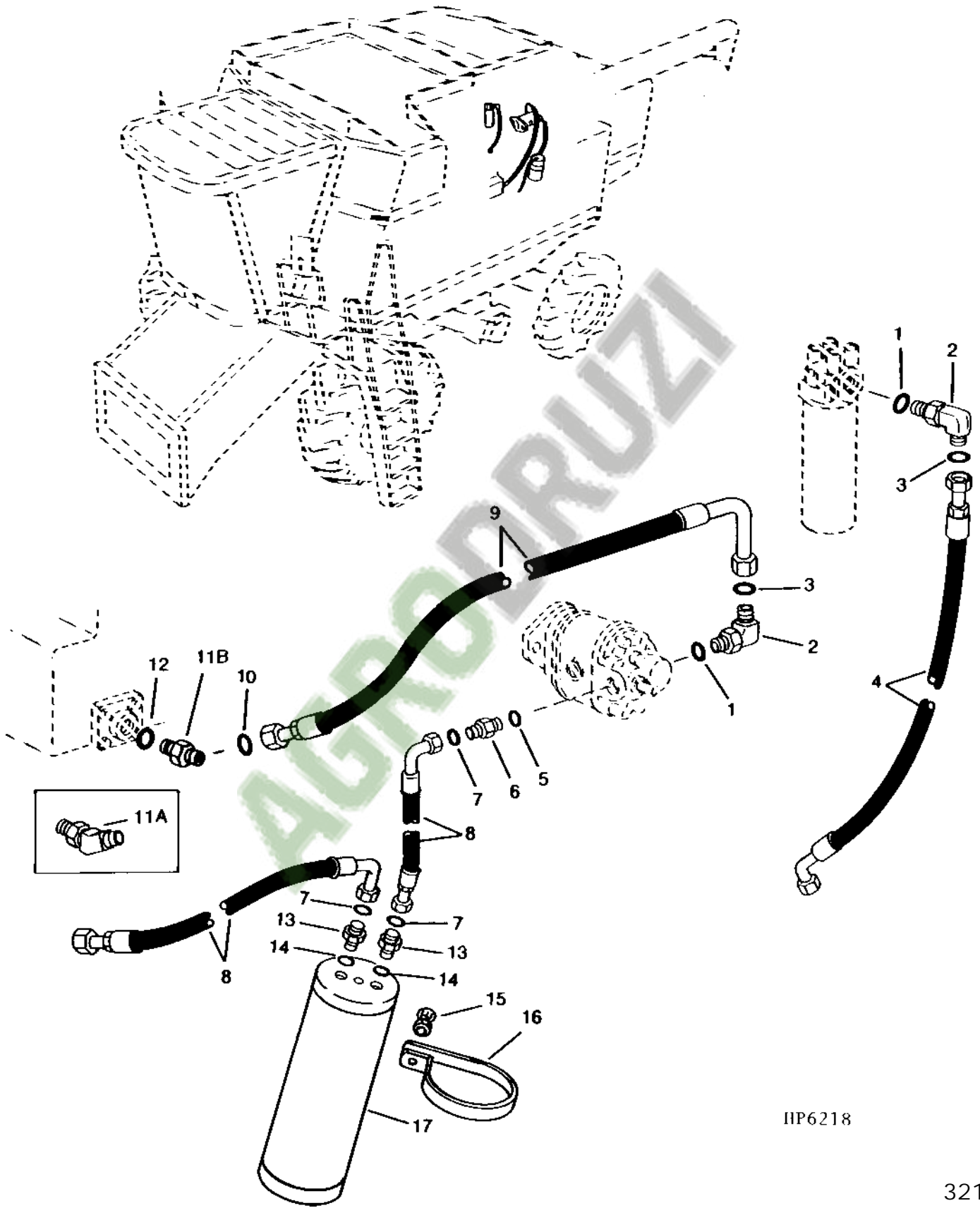
HP8021

320

5D1

HYDRAULIC STEERING HOSES, UPPER AND ATTENUATOR

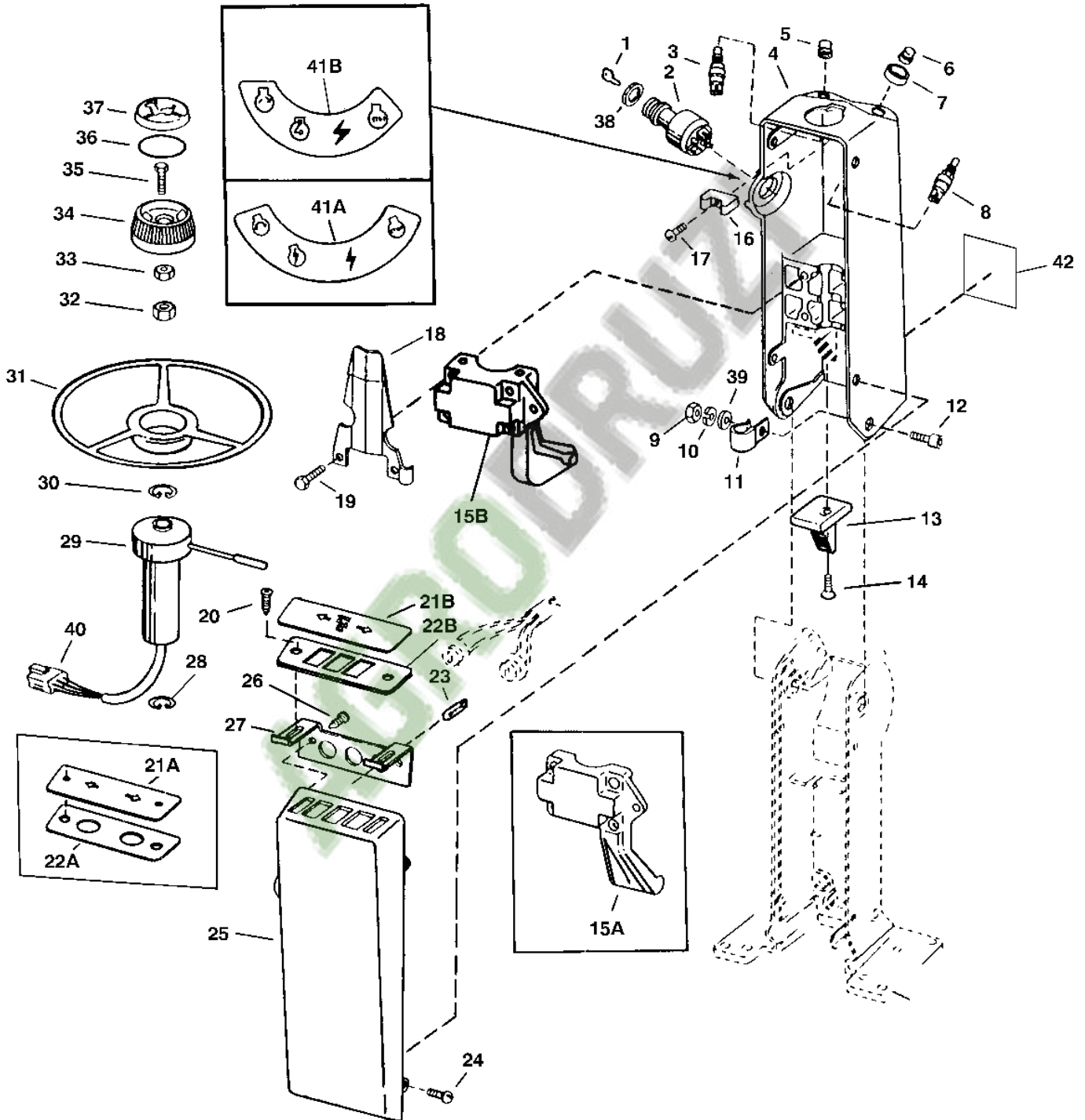
HP6218 -UN-04JAN96



HP6218

5D3

STEERING COLUMN (UPPER) HP6547 -UN-23AUG96

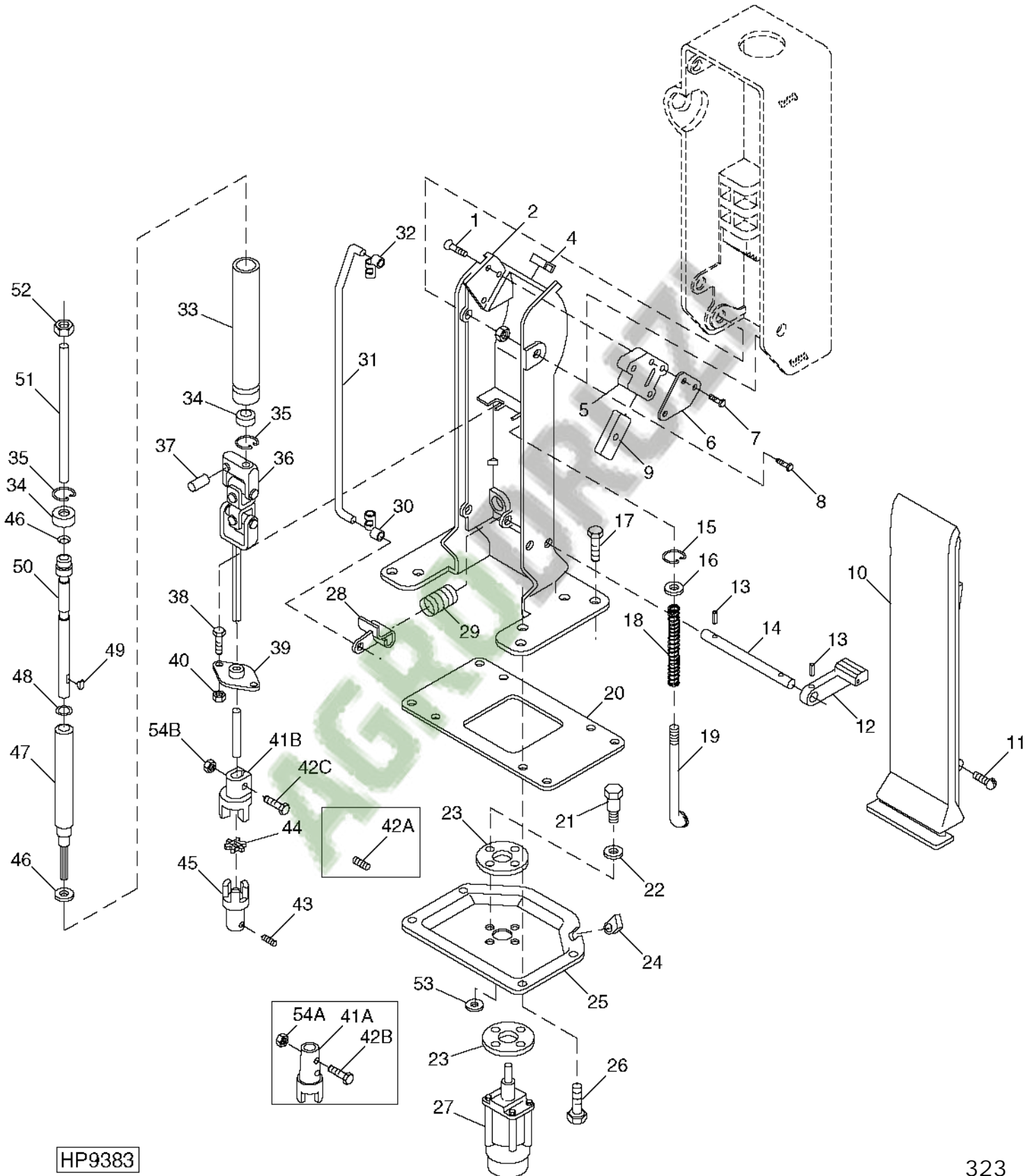


HP6547

5D5

STEERING COLUMN (LOWER)

HP9383 -UN-07DEC99

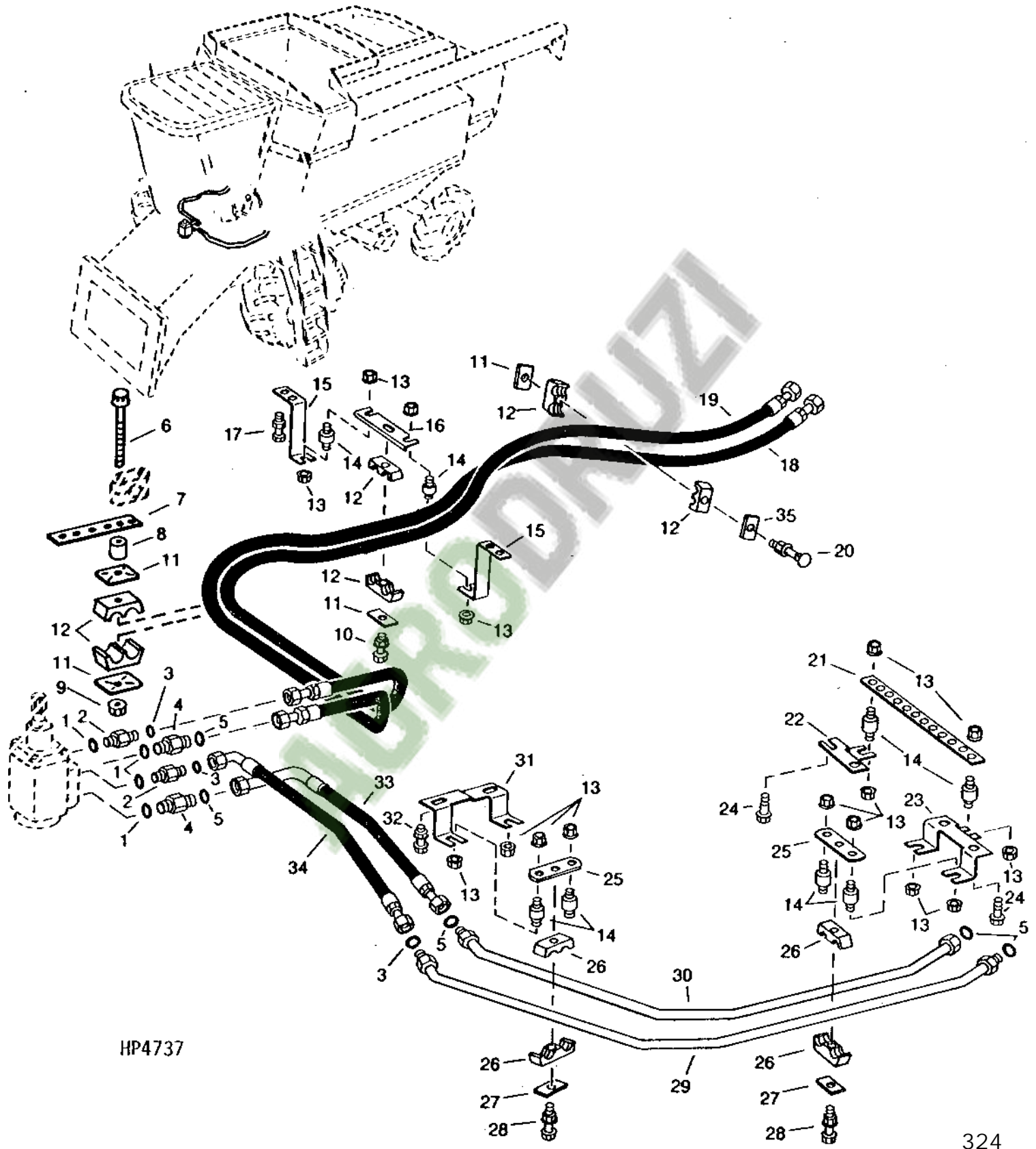


HP9383

5D7

STEERING HOSES AND LINES, FRONT

HP4737 -UN-01JAN94

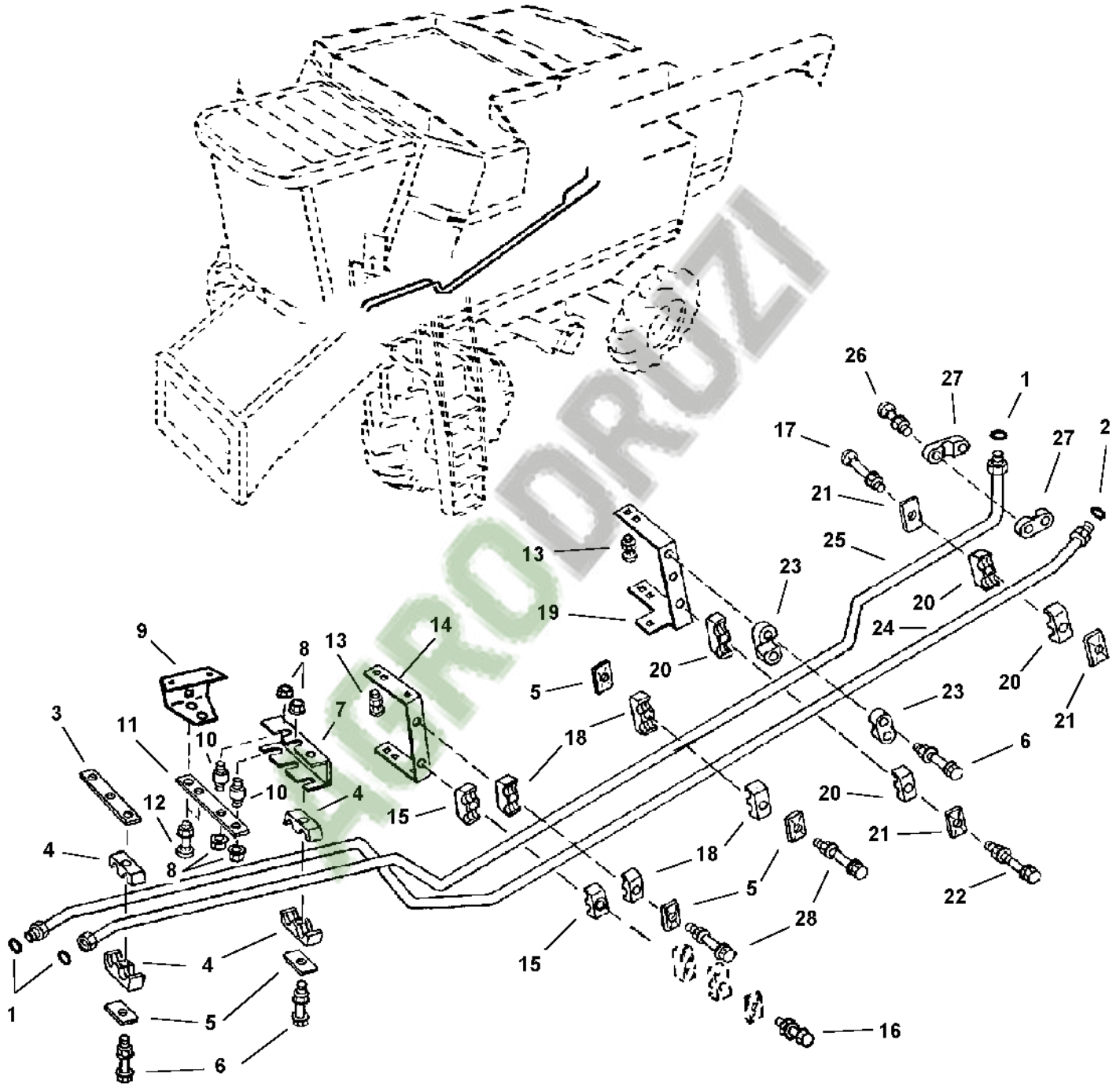


HP4737

324

5D9

STEERING LINES, L.H. SIDE
HP7245 -UN-07NOV97

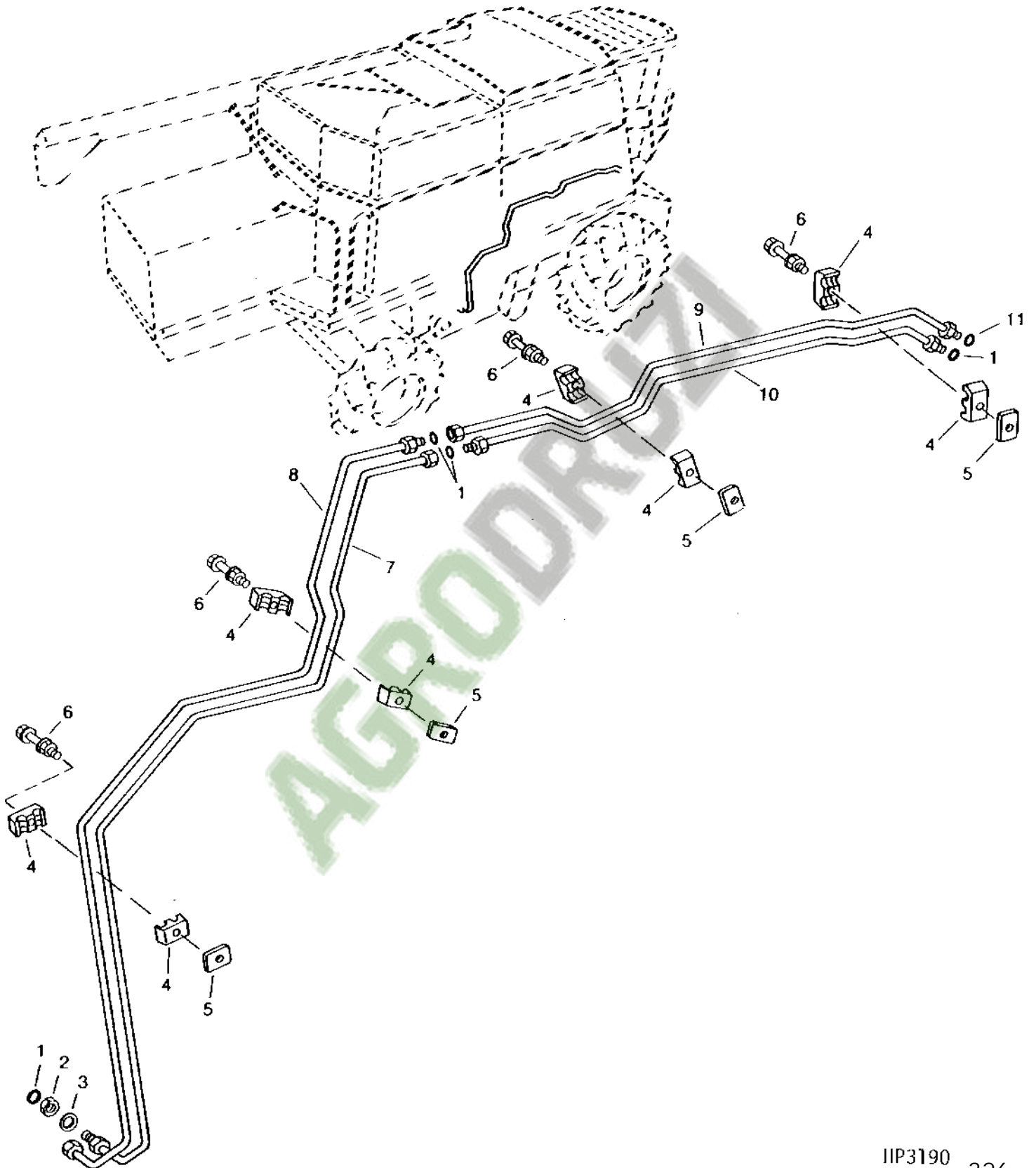


HP7245

325

5D11

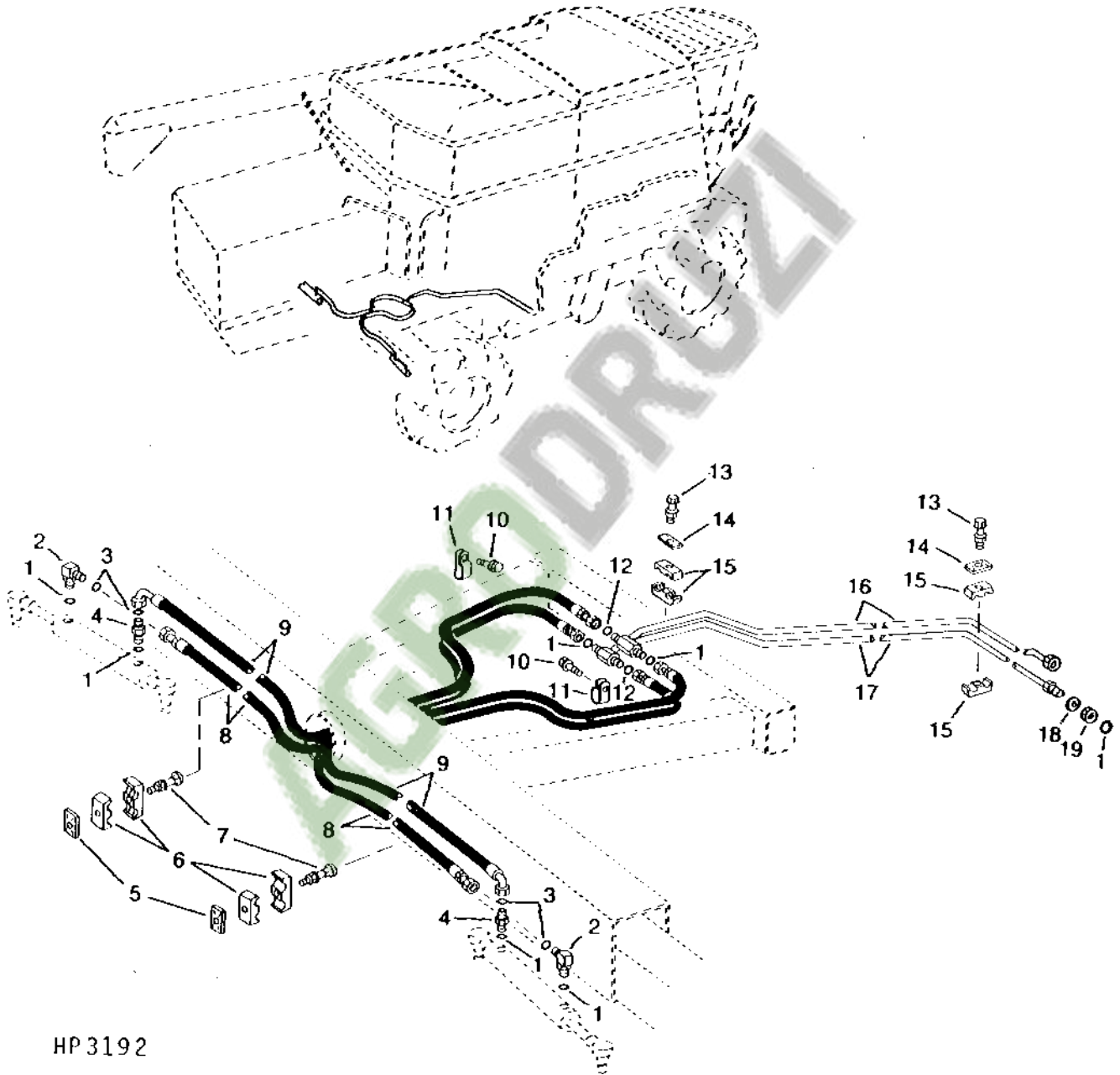
STEERING LINES, R.H. SIDE
HP3190 -UN-01JAN94



IIP3190 326

5D13

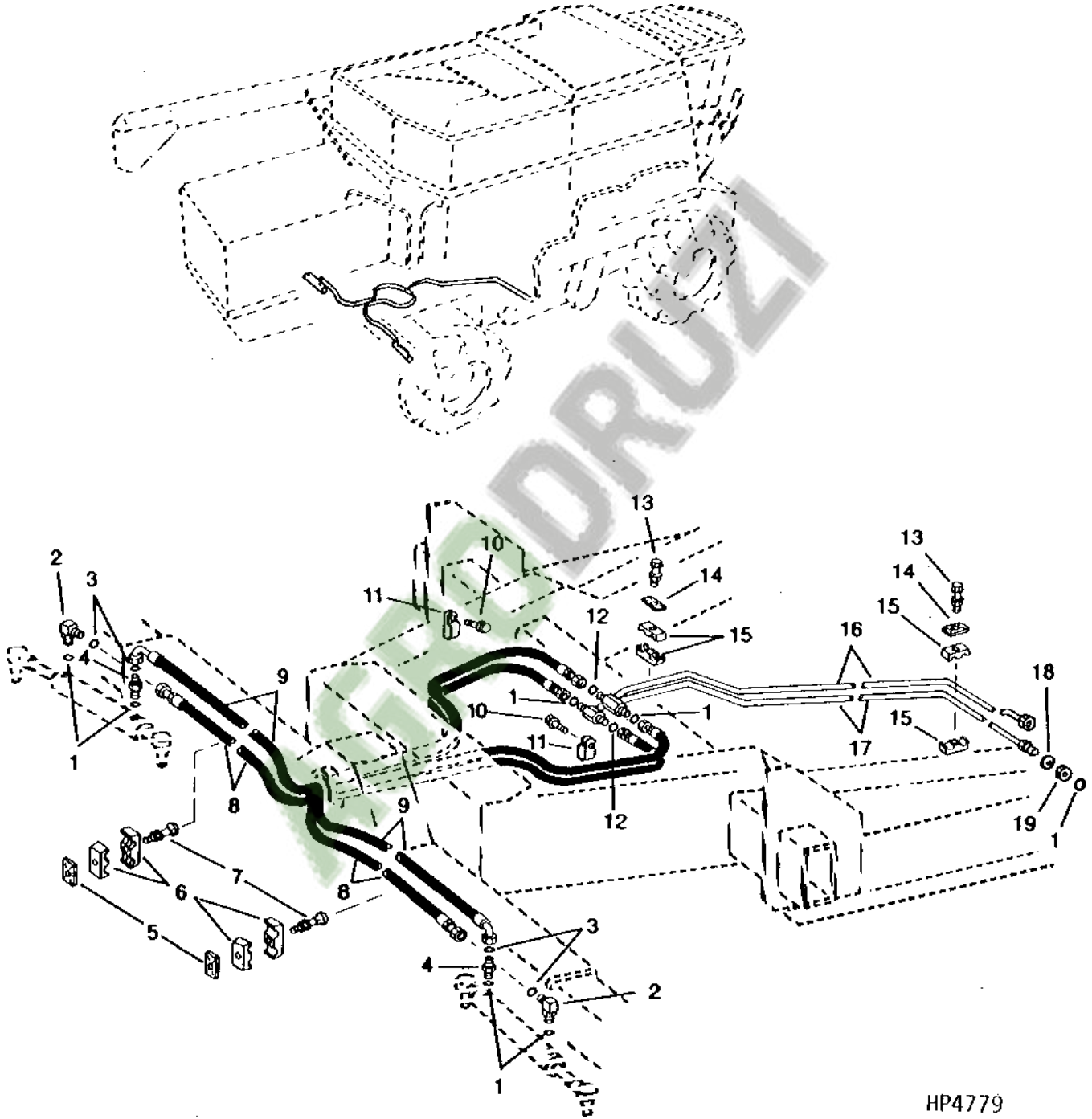
STEERING LINES AND HOSES, REAR
(DUAL CYLINDER)
HP3192 -UN-01JAN94



HP 3192

5D15

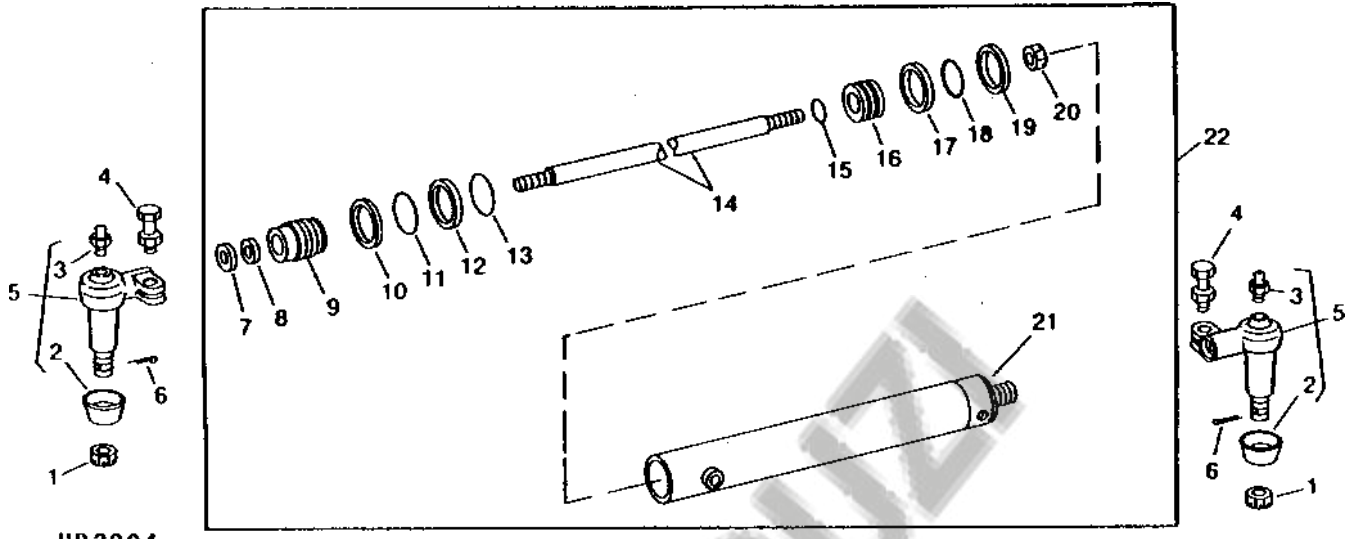
STEERING LINES AND HOSES, REAR
(DUAL CYLINDER) (SIDEHILL)
HP4779 -UN-01JAN94



HP4779

5D17

STEERING CYLINDER
HP2904 -UN-01JAN94



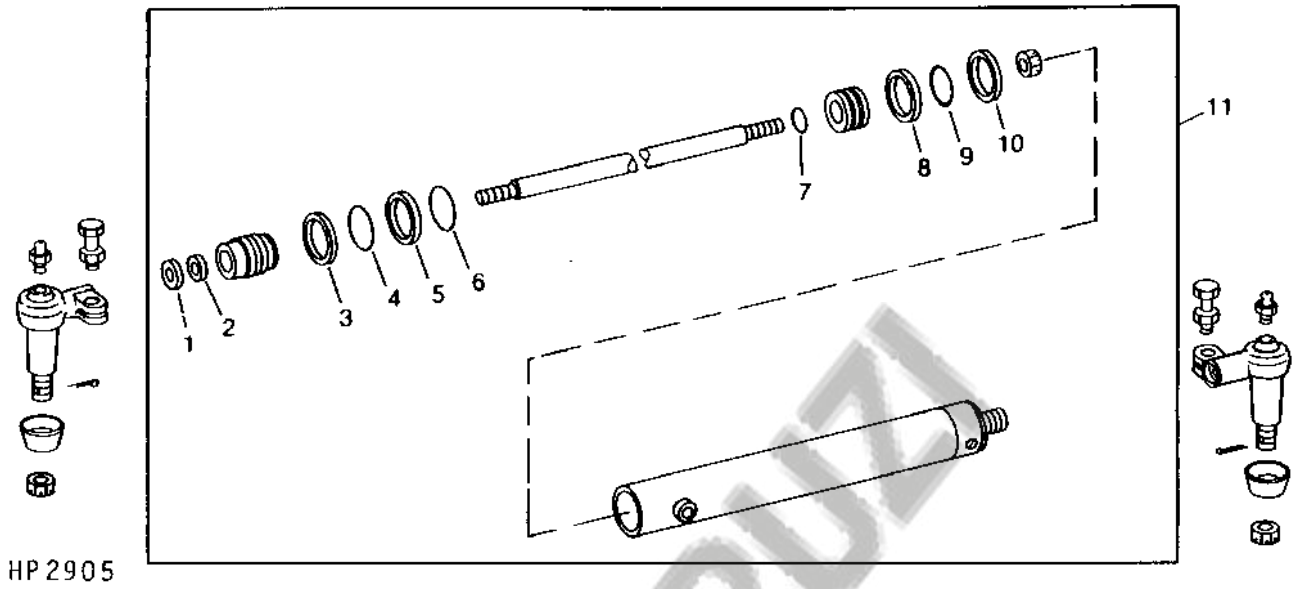
HP2904

AGRODRIVE

KEY	PART NO.	PART NAME	QTY	SERIAL NO.	REMARKS
				S	
				H	
				9	
				5	
				0	
				0	

5D18

STEERING CYLINDER KIT
HP2905 -UN-01JAN94



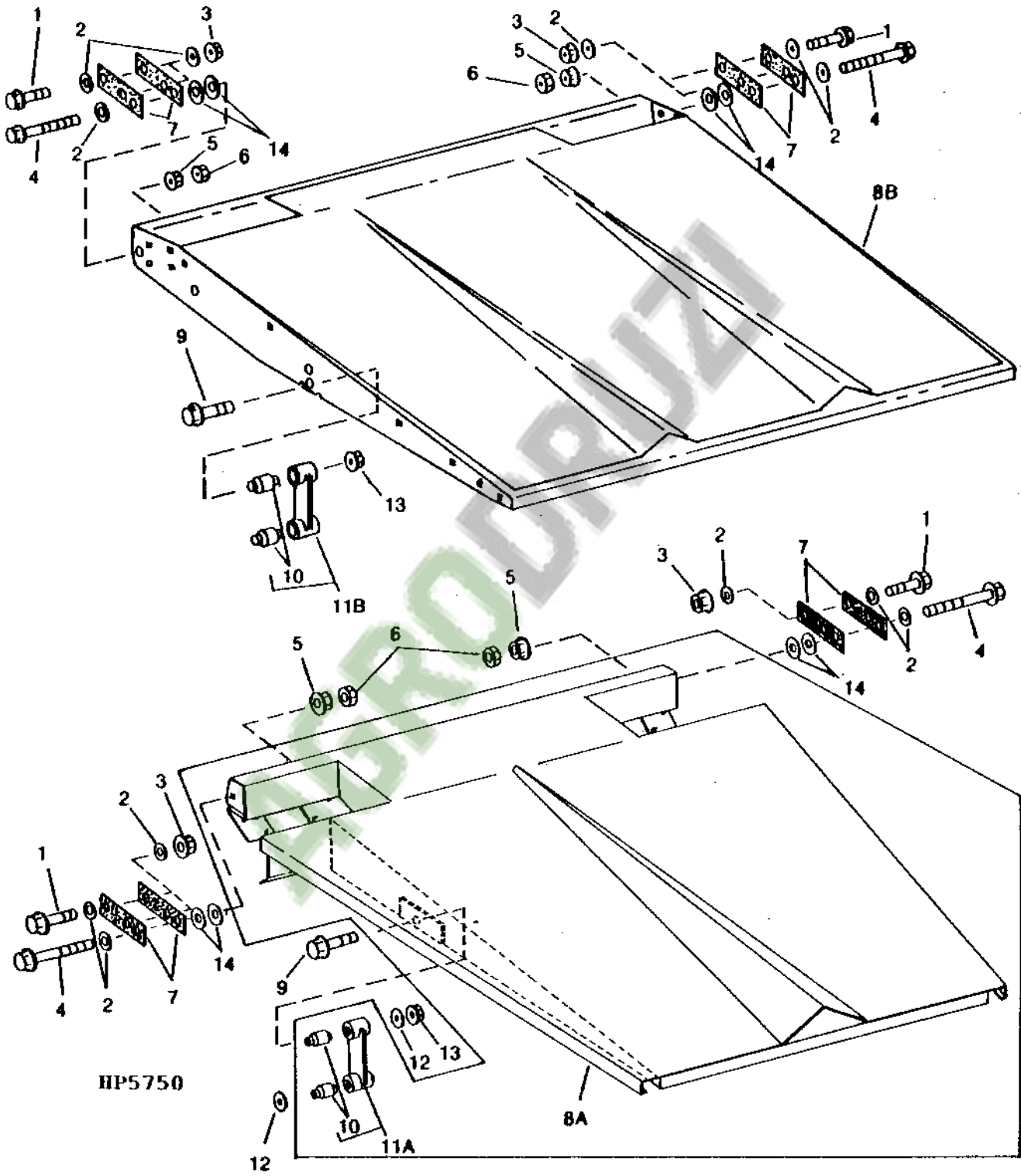
HP 2905

KEY	PART NO.	PART NAME	QTY	SERIAL NO.	REMARKS
				S	
				H	
				9	
				5	
				0	
				0	

AGRODRIVE

5D19

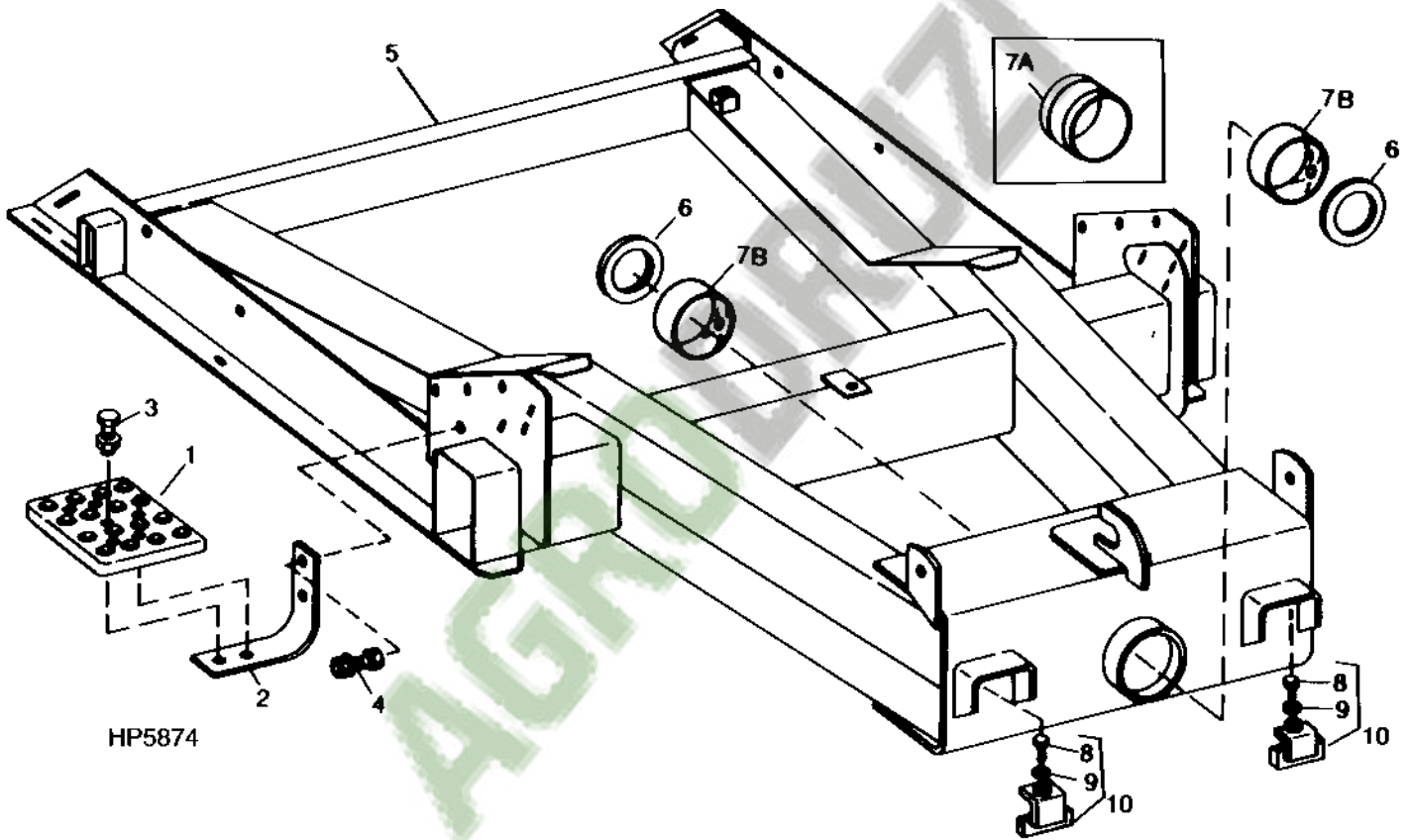
REAR AXLE TRASH SHIELD
HP5750 -UN-01JAN94



HP5750

5D21

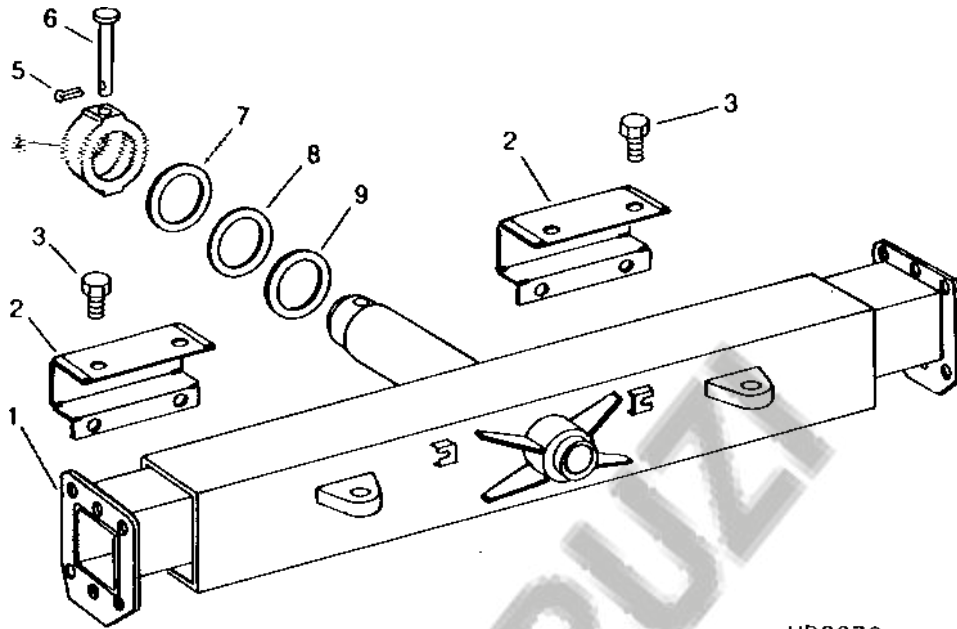
REAR AXLE SUPPORT
HP5874 -UN-14OCT94



HP5874

5D23

FIXED REAR AXLE
HP3373 -UN-01JAN94



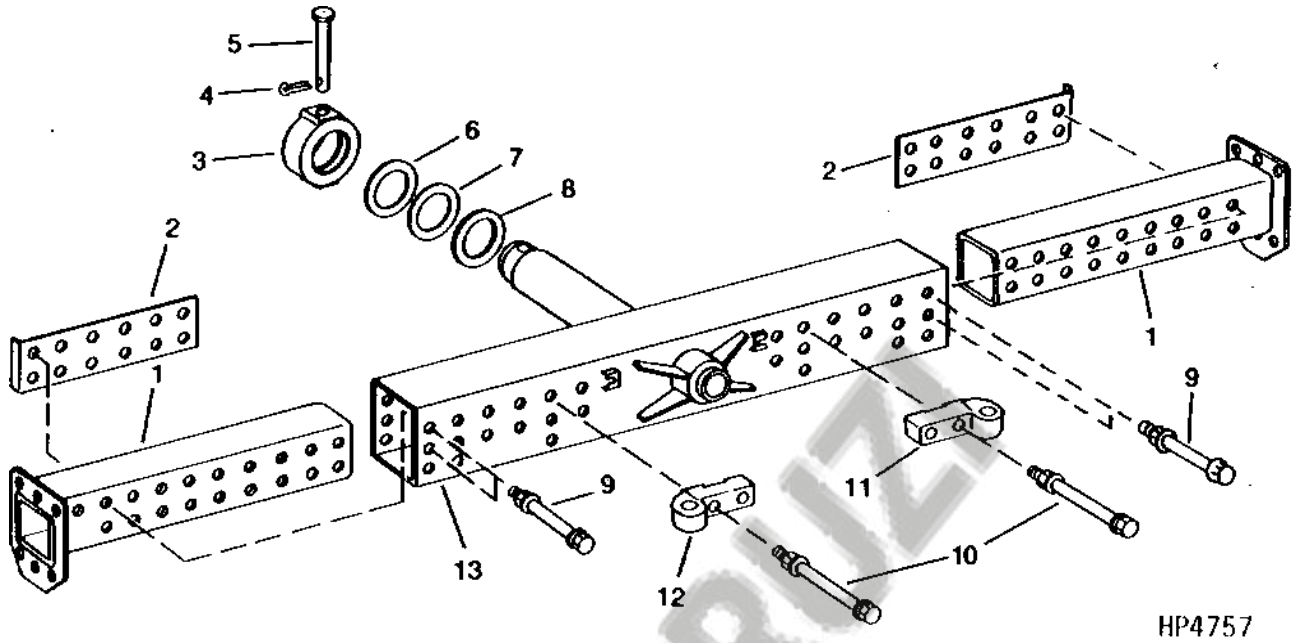
HP3373

KEY	PART NO.	PART NAME	QTY	SERIAL NO.	REMARKS
				S	
				H	
				9 9	
				5 5	
				0 0	
				0 0	

AGRODRUZ

5D24

REAR AXLE, ADJUSTABLE
HP4757 -UN-01JAN94



HP4757

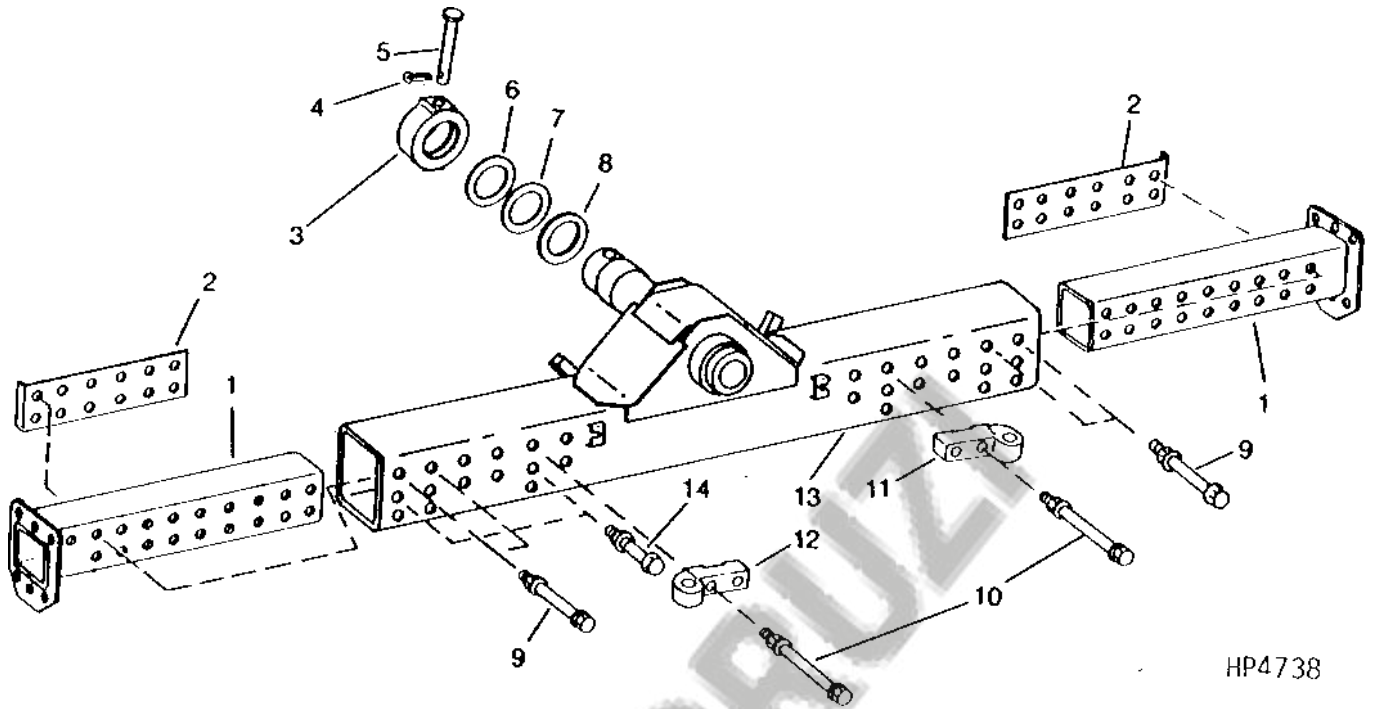
KEY	PART NO.	PART NAME	QTY	SERIAL NO.	REMARKS
-----	----------	-----------	-----	------------	---------

S
H
9 9
5 5
0 0
0 0

AGRODRIVE

5D25

REAR AXLE, ADJUSTABLE (SIDEHILL)
HP4738 -UN-01JAN94



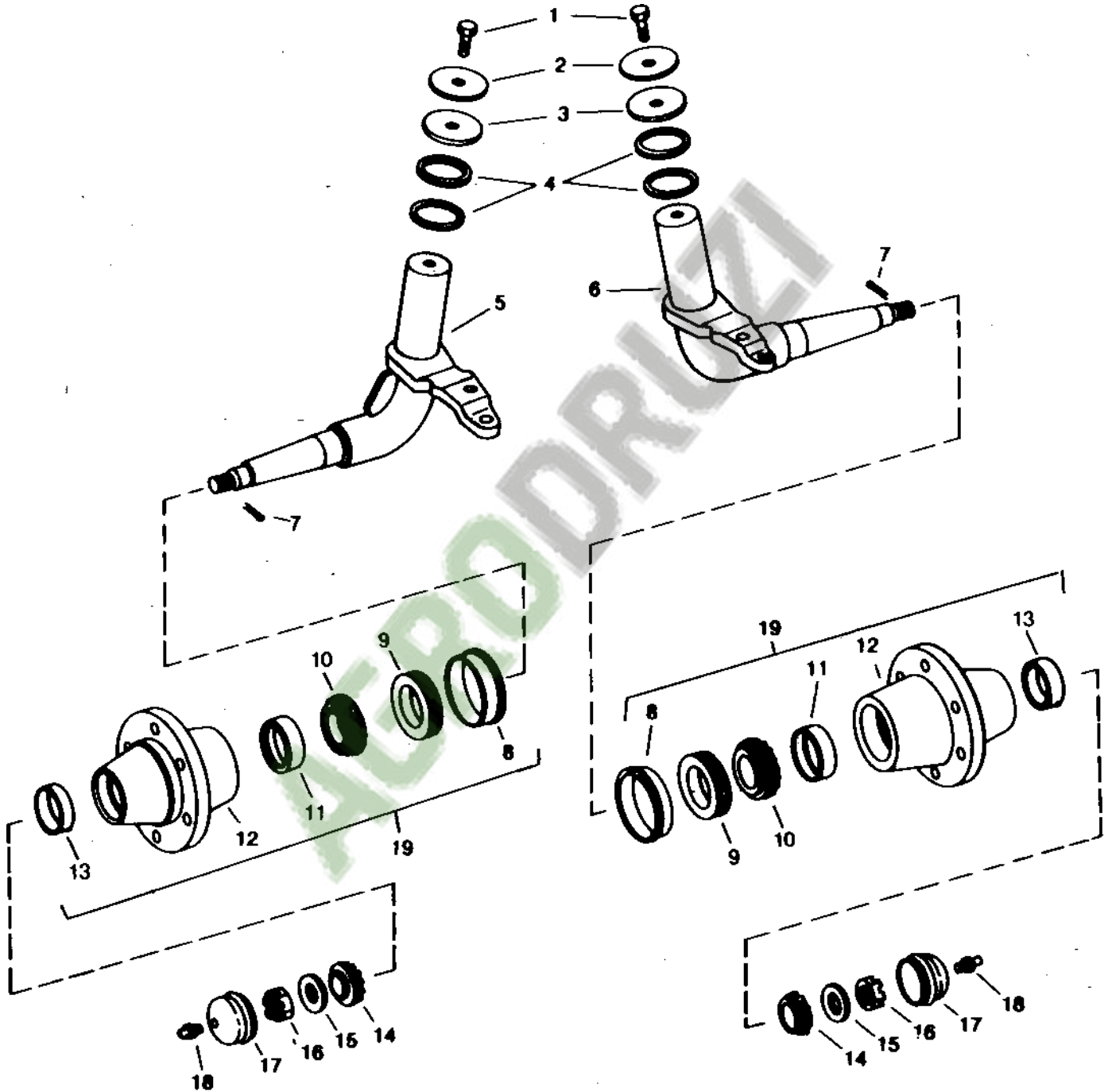
HP4738

KEY	PART NO.	PART NAME	QTY	SERIAL NO.	REMARKS
				S	
				H	
				9 9	
				5 5	
				0 0	
				0 0	

AGRODRIVE

5E1

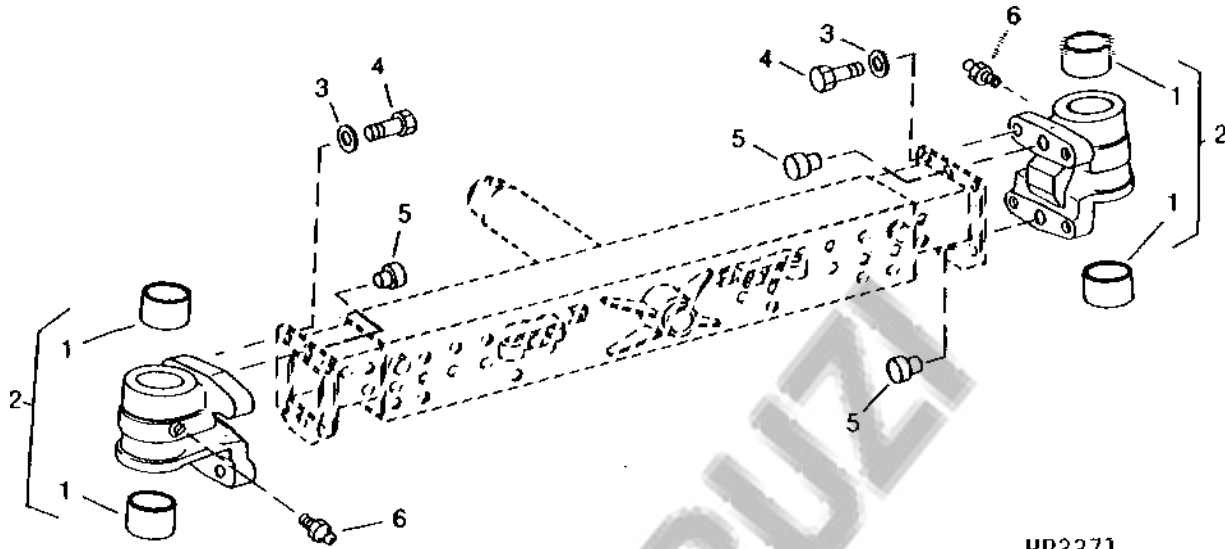
REAR AXLE SPINDLES
(FIXED AND ADJUSTABLE REAR AXLE)
HP5915 -UN-14FEB95



HP5915

5E3

REAR AXLE SPINDLE HOUSING
 (FIXED AND ADJUSTABLE REAR AXLE)
 HP3371 -UN-01JAN94



HP3371

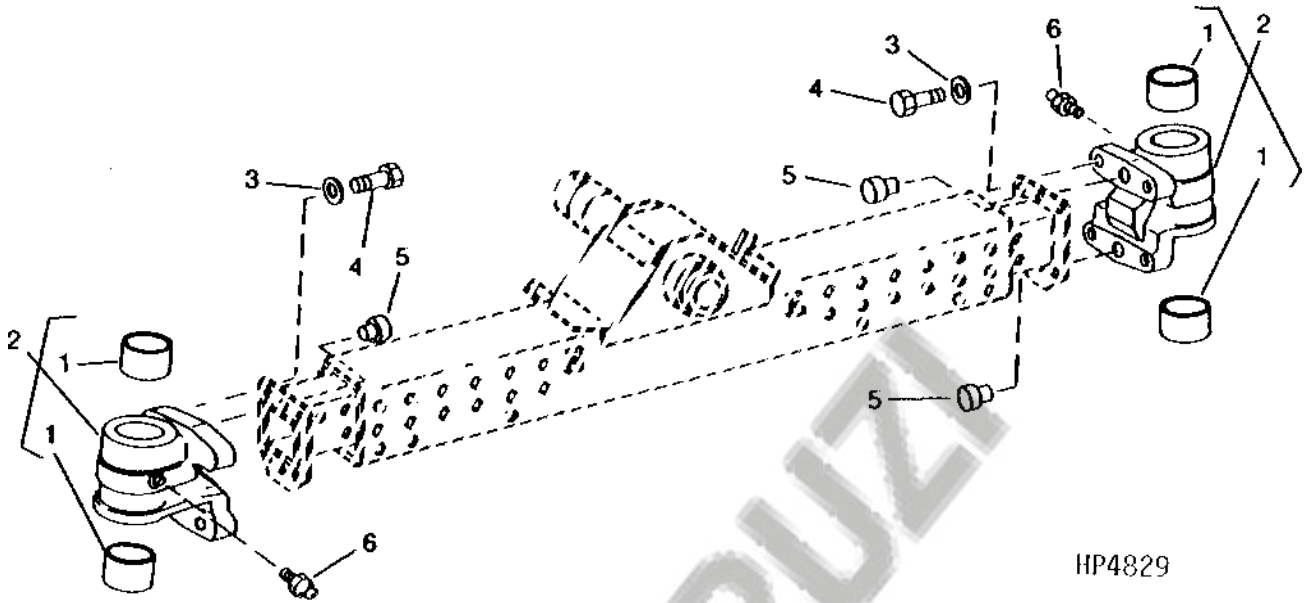
KEY	PART NO.	PART NAME	QTY	SERIAL NO.	REMARKS
				S	
				H	
				9	
				5	
				0	
				0	

AGRODRUZI

5E4

ADJUSTABLE REAR AXLE SPINDLE HOUSING (SIDEHILL)

HP4829 -UN-01JAN94



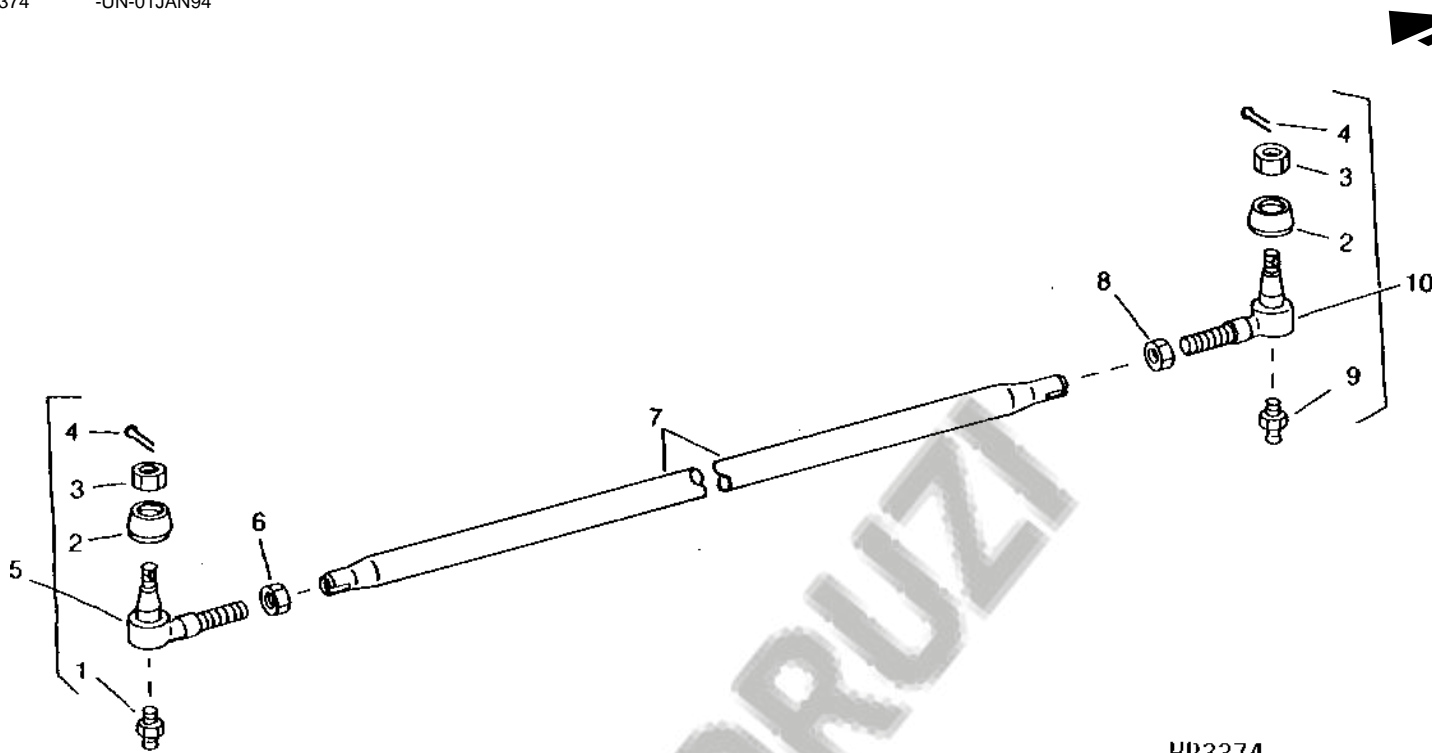
HP4829

AGRODRUZI

KEY	PART NO.	PART NAME	QTY	SERIAL NO.	REMARKS
				S	
				H	
				9	
				5	
				0	
				0	

5E5

STEERING TIE RODS
 (FIXED REAR AXLE)
 (NON-POWERED)
 HP3374 -UN-01JAN94



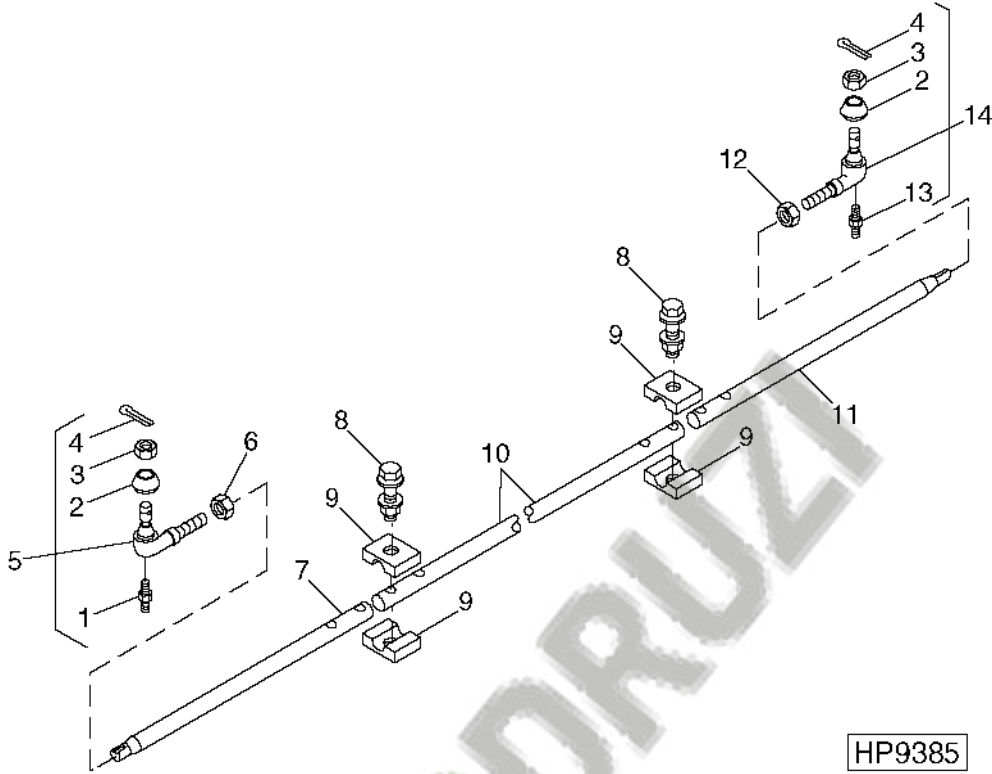
HP3374

AGRODRUZI

KEY	PART NO.	PART NAME	QTY	SERIAL NO.	REMARKS
				S	
				H	
				9 9	
				5 5	
				0 0	
				0 0	

5E6

STEERING TIE RODS
 (FIXED REAR AXLE)
 (4-WHEEL DRIVE)
 HP9385 -UN-03DEC99



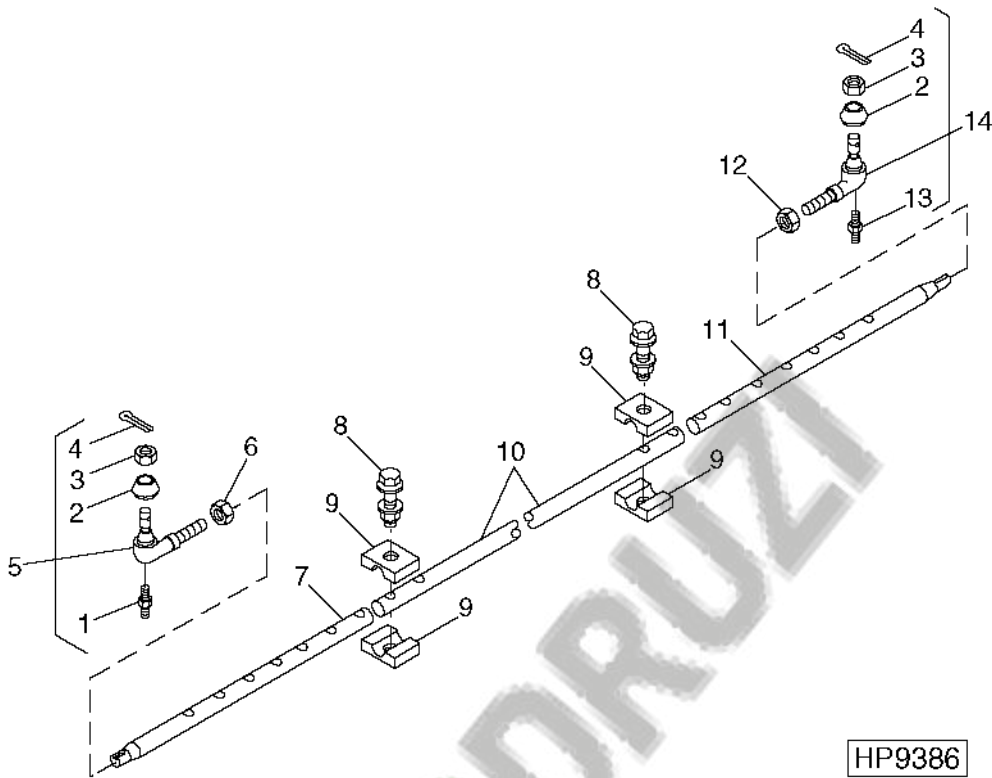
HP9385

KEY	PART NO.	PART NAME	QTY	SERIAL NO.	REMARKS
				S	
				H	
				9	
				9	
				5	
				5	
				0	
				0	
				0	

AGRODRUM

5E7

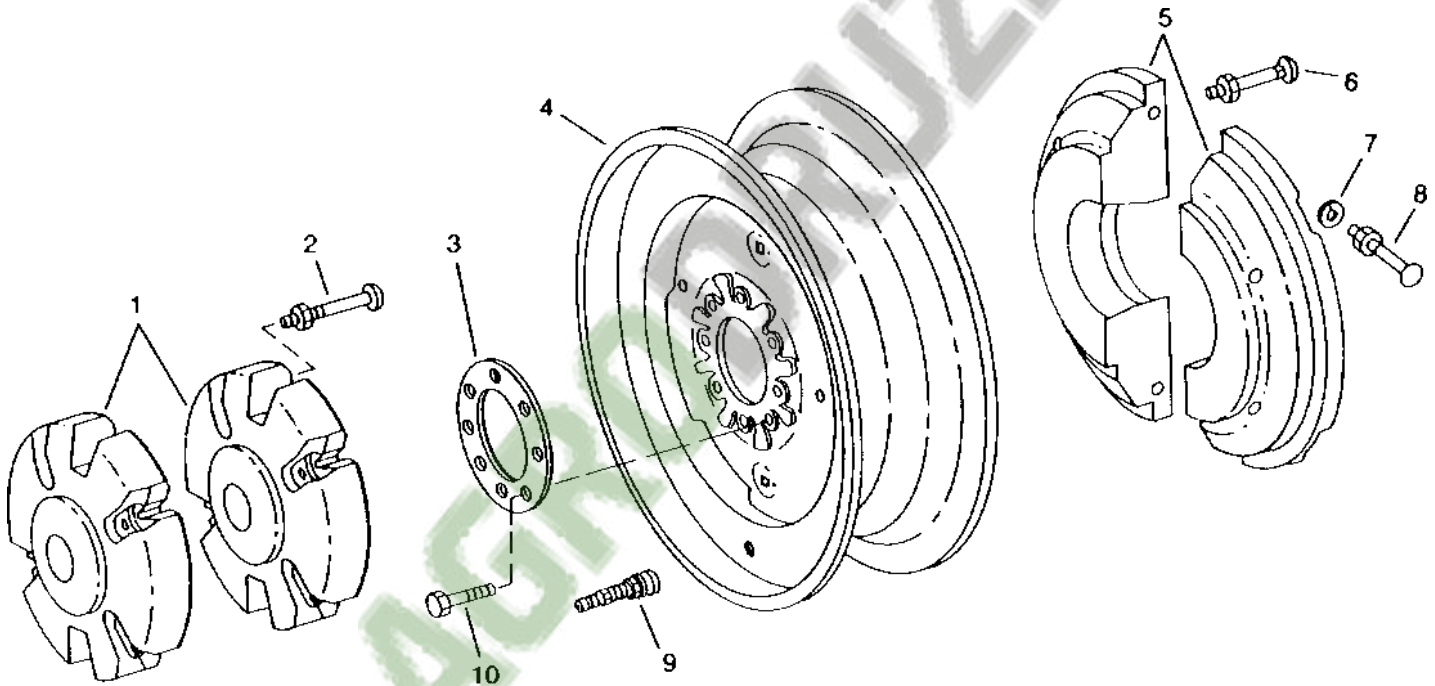
STEERING TIE RODS
 (ADJUSTABLE REAR AXLE)
 (NON-POWERED AND 4-WHEEL DRIVE REAR AXLE)
 HP9386 -UN-03DEC99



HP9386

KEY	PART NO.	PART NAME	QTY	SERIAL NO.	REMARKS
				S	
				H	
				9	
				9	
				5	
				5	
				0	
				0	
				0	

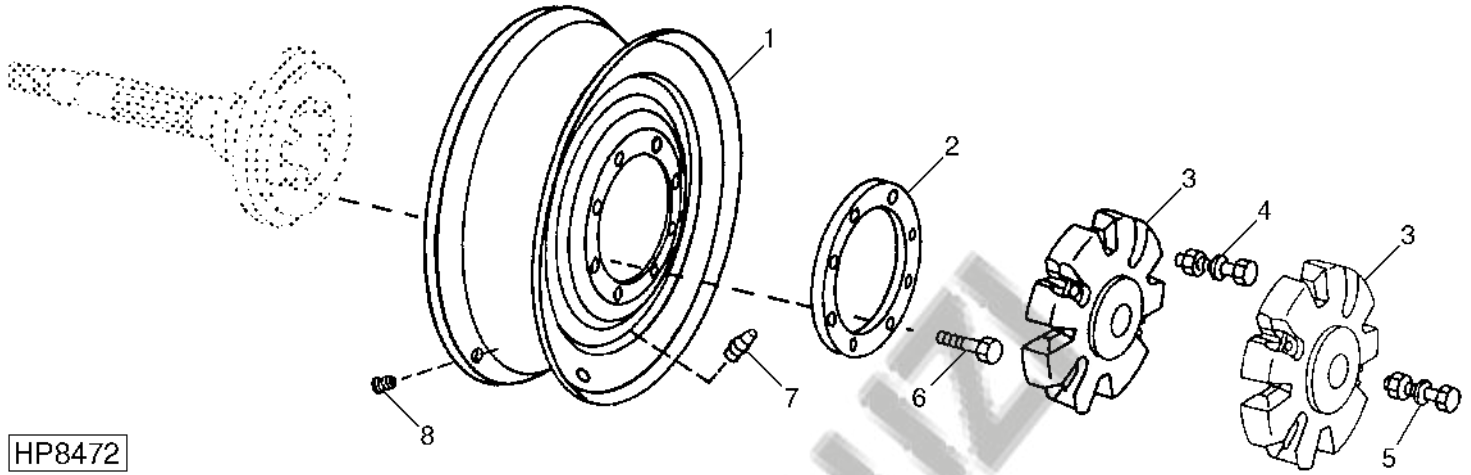
REAR WHEELS AND WHEEL WEIGHTS
HP3379 -UN-01JAN94



HP3379

5E10

REAR WHEELS
 (4-WHEEL DRIVE / CAM LOBE MOTOR)
 HP8472 -UN-21APR99

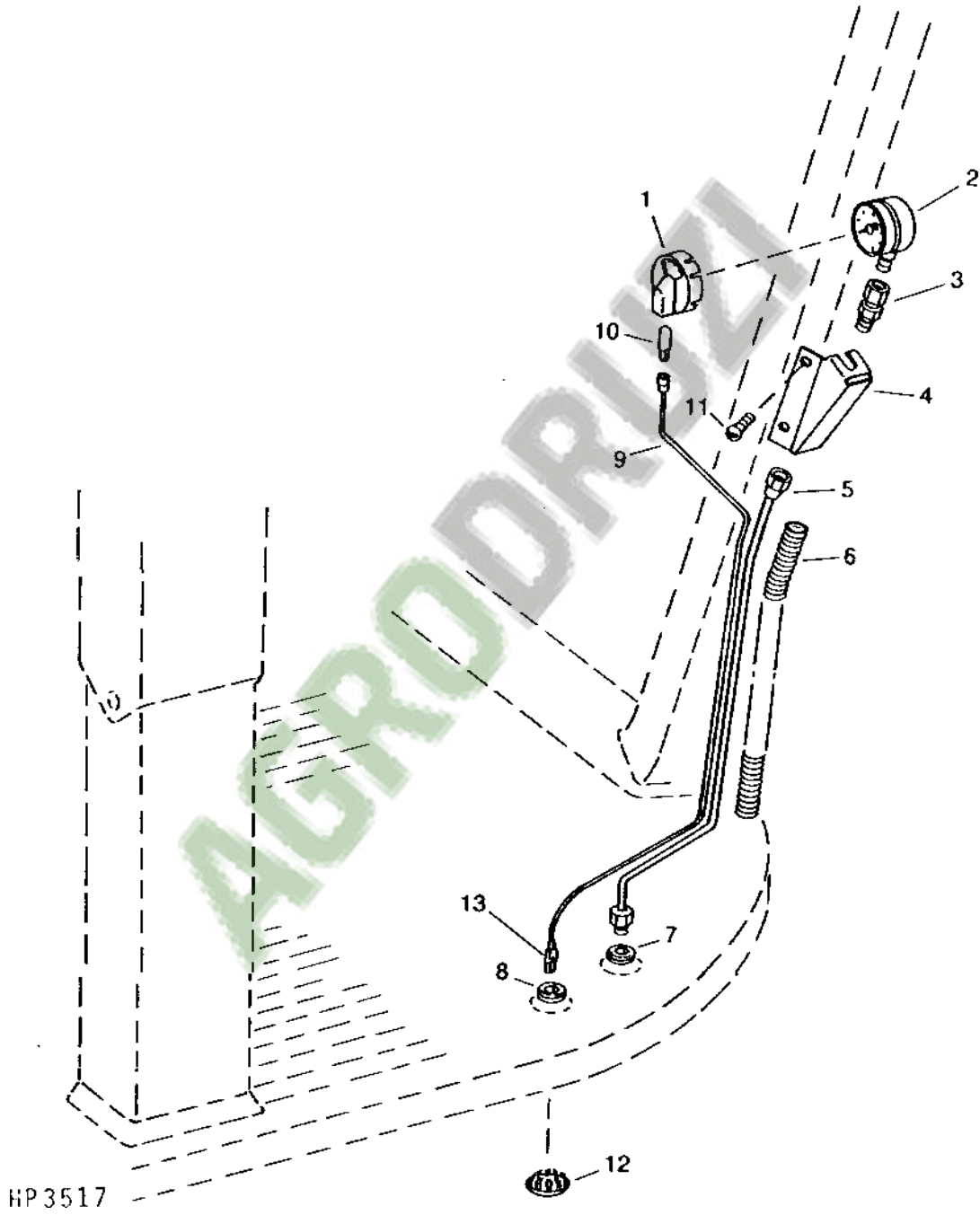


HP8472

KEY	PART NO.	PART NAME	QTY	SERIAL NO.	REMARKS
				S	
				H	
				9	
				5	
				0	
				0	

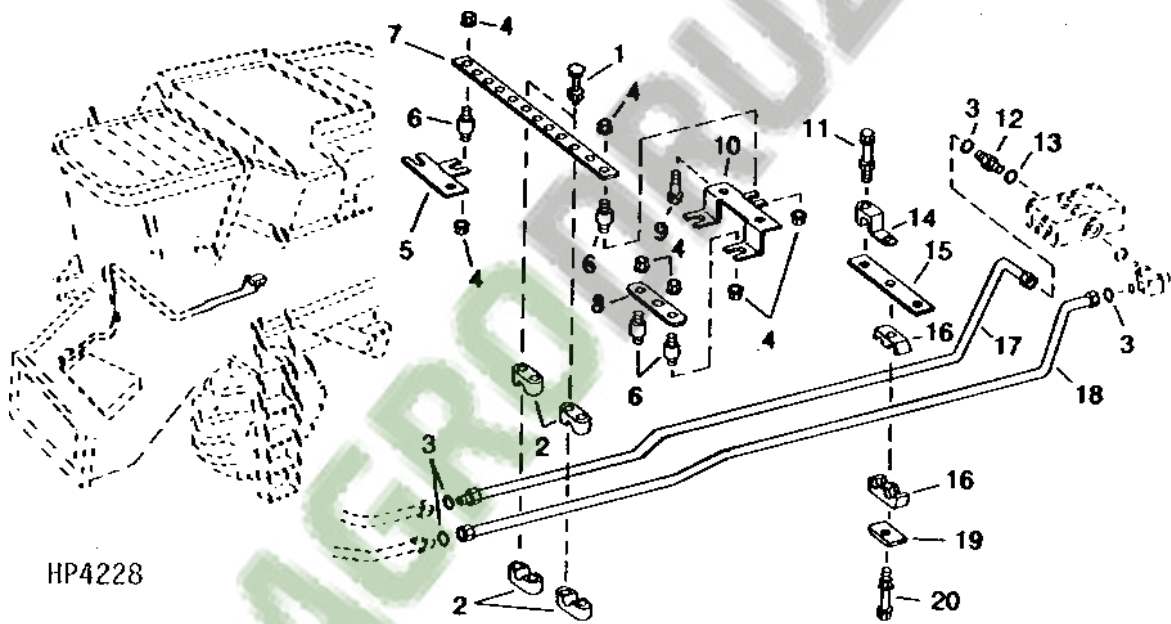
AGRODRUZ

ACCUMULATOR PRESSURE GAUGE AND WIRING HARNESS
HP3517 -UN-01JAN94



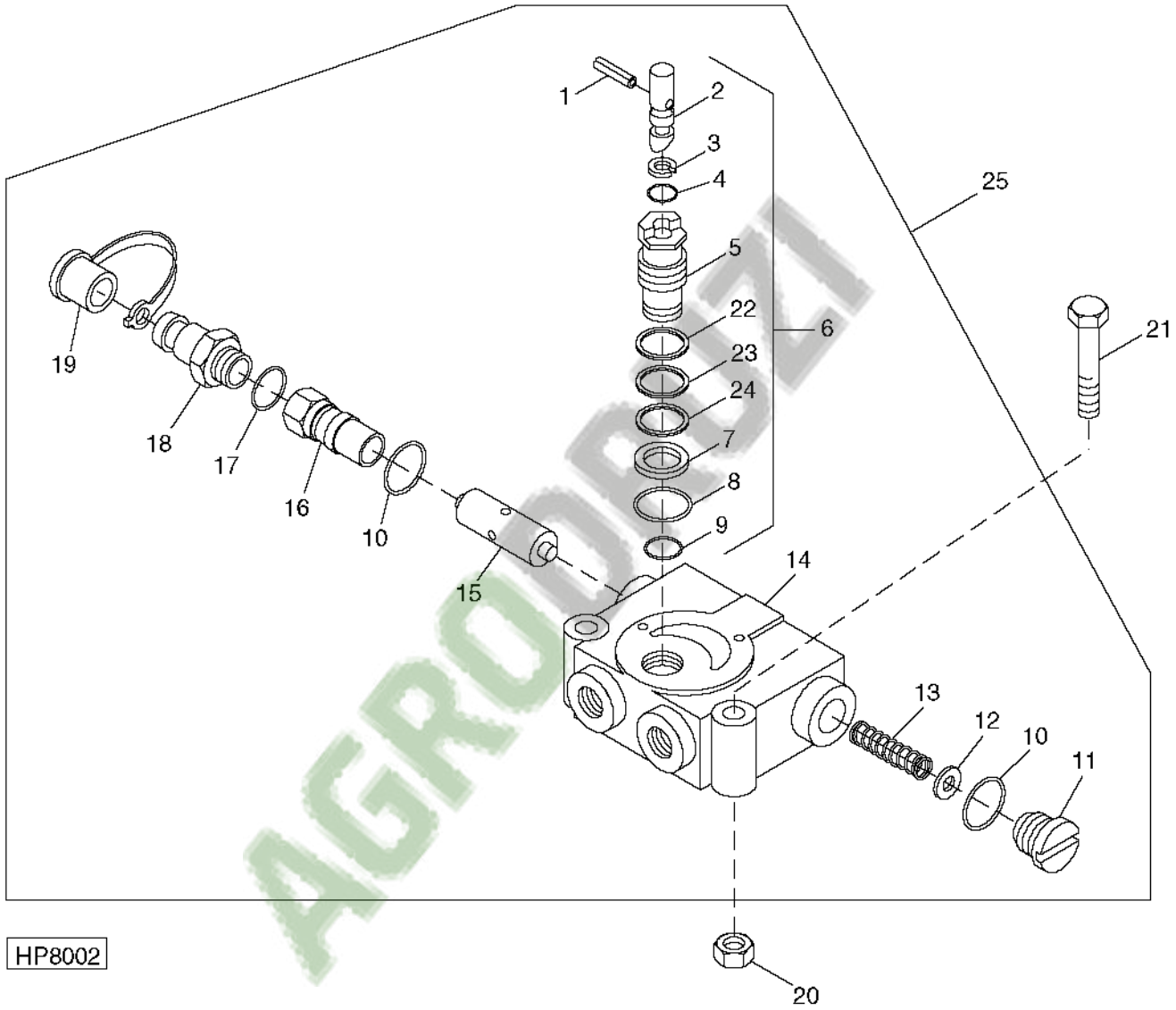
HP3517

REEL DRIVE HYDRAULIC LINES AND HOSES, L.H. SIDE
HP4228 -UN-01JAN94



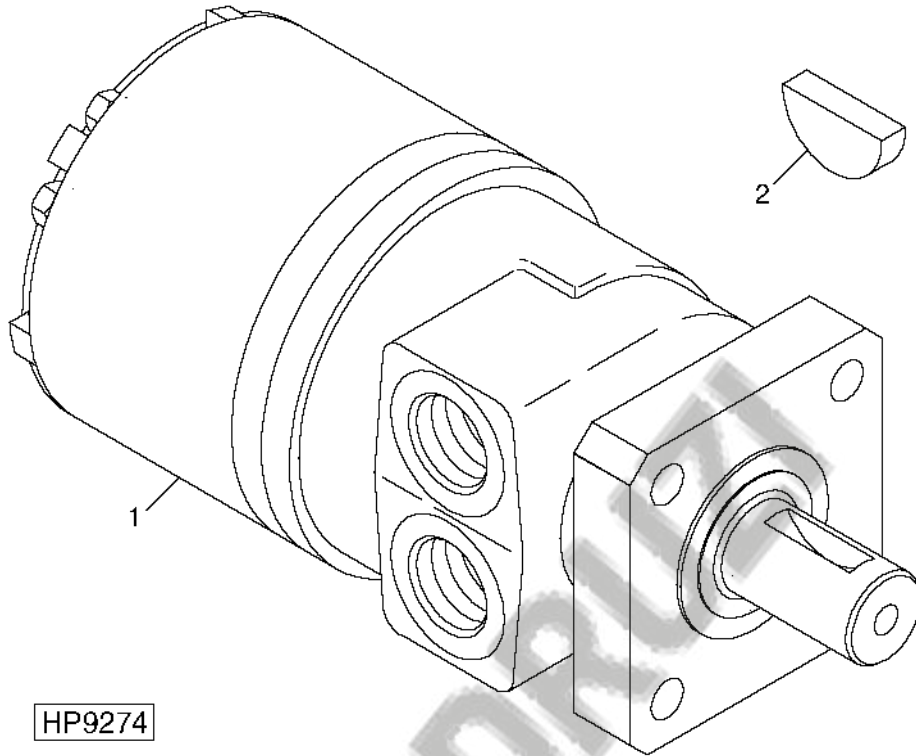
6C10

REEL DRIVE FLOW CONTROL VALVE
HP8002 -UN-02MAR99



6C12

CHAFF SPREADER MOTOR
(655929-)
HP9274 -UN-16NOV99



HP9274

S
H
9 9
5 5
0 0
0 0

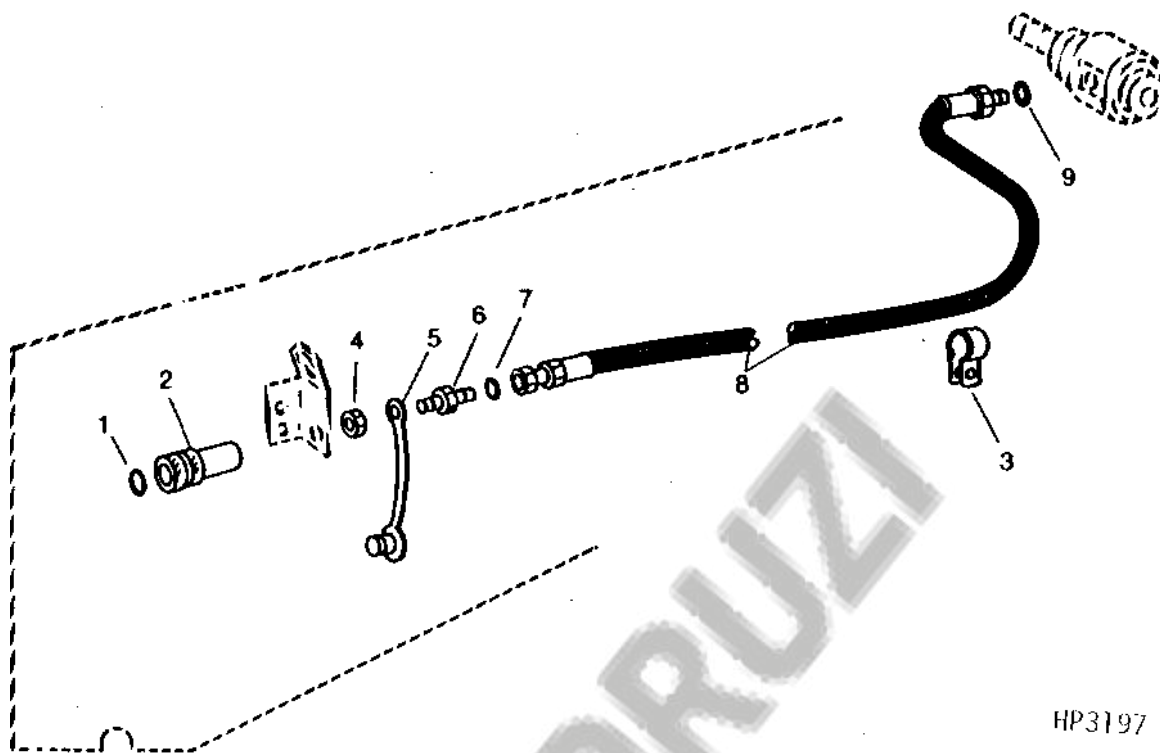
KEY	PART NO.	PART NAME	QTY	SERIAL NO.	REMARKS

AGROD

6C13

HYDRAULICS

FEEDER HOUSE VARIABLE DRIVE HYDRAULIC HOSE
HP3197 -UN-01JAN94



HP3197

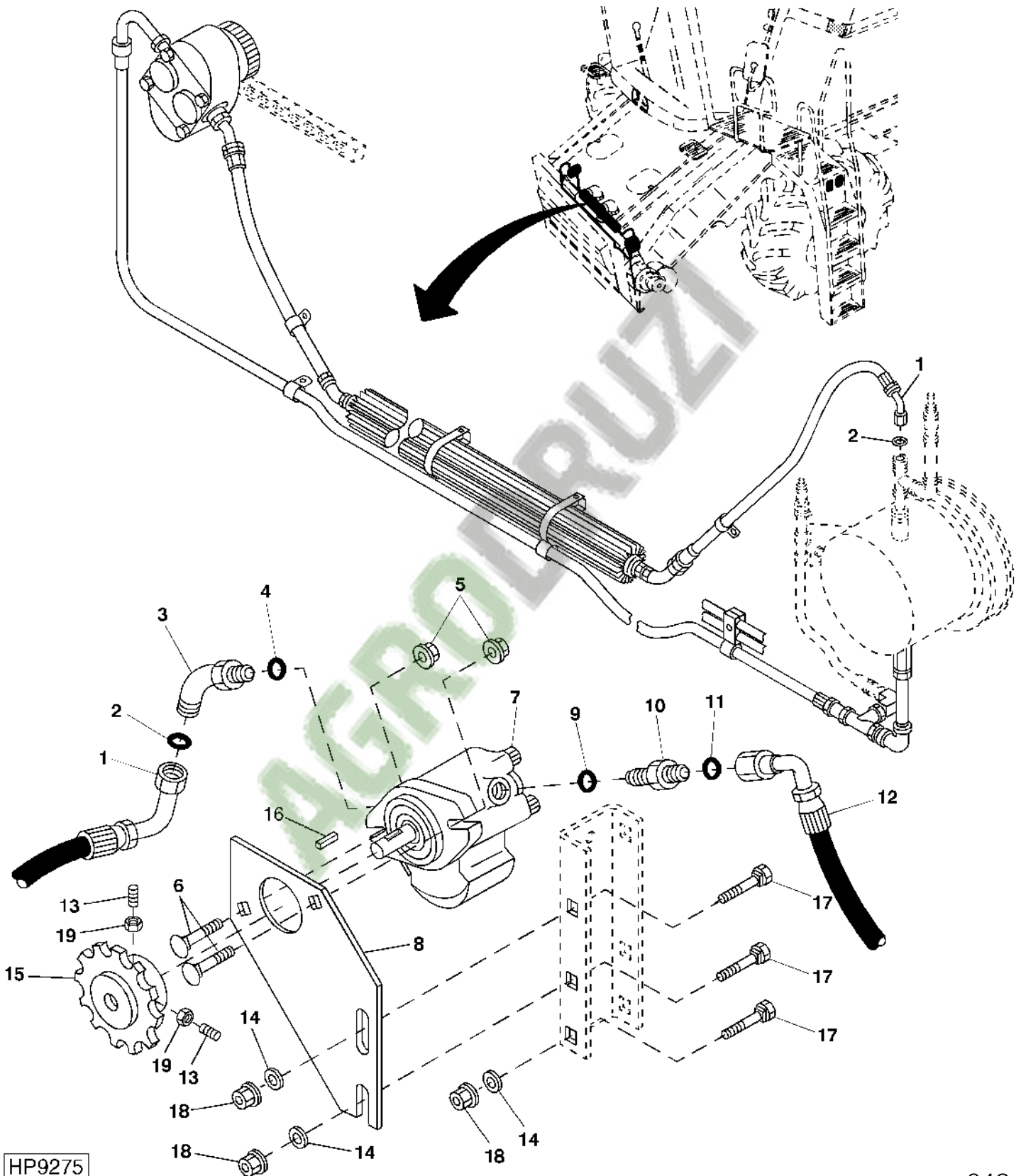
KEY	PART NO.	PART NAME	QTY	SERIAL NO.	REMARKS
				S	
				H	
				9 9	
				5 5	
				0 0	
				0 0	

AGRODRUZI

6C14

FEEDER HOUSE GEARCASE COOLER LUBE OIL PUMP

HP9275 -UN-15NOV99

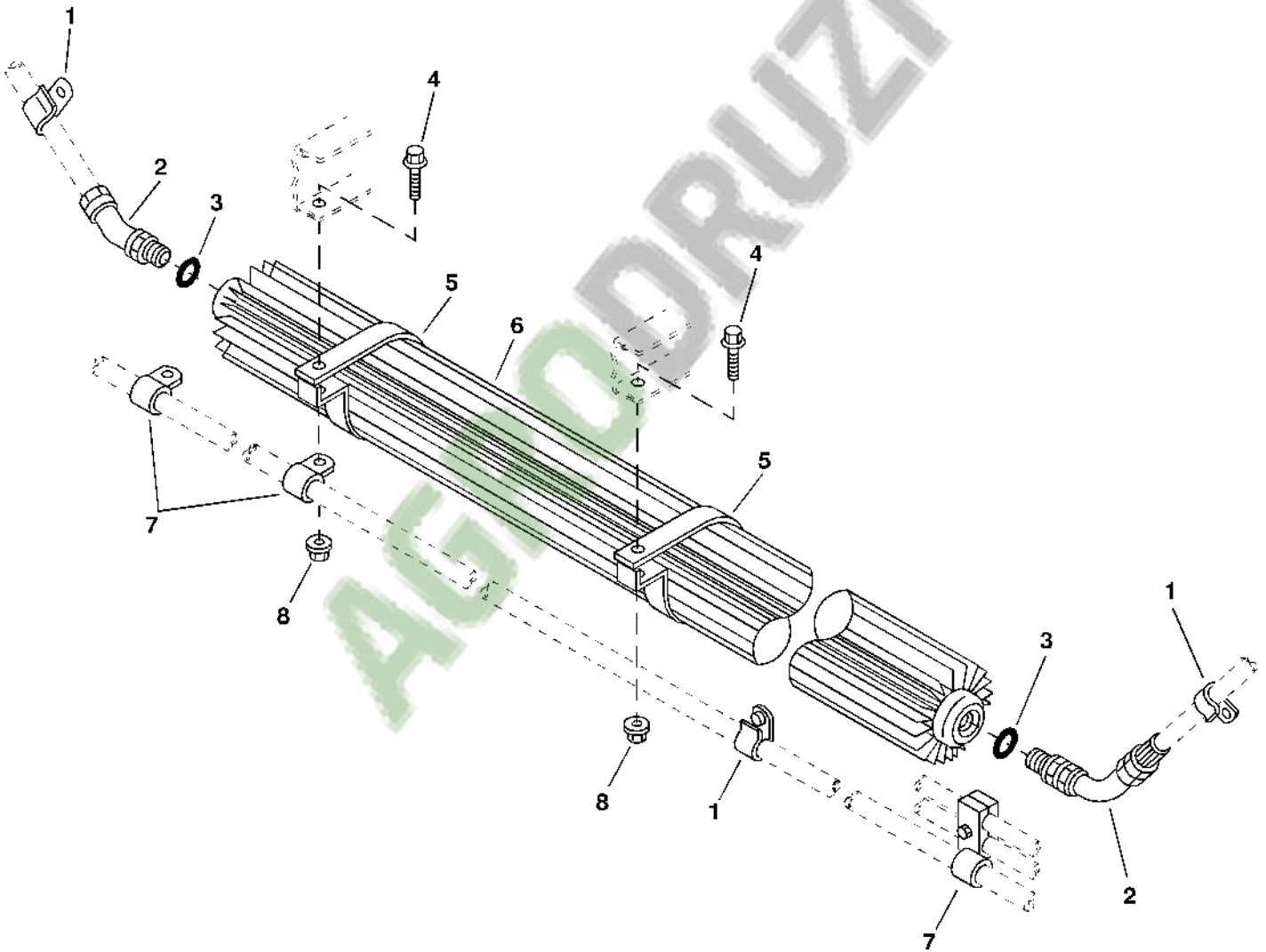


HP9275

6C16

FEEDER HOUSE GEARCASE OIL COOLER

HP6649 -UN-20MAR97



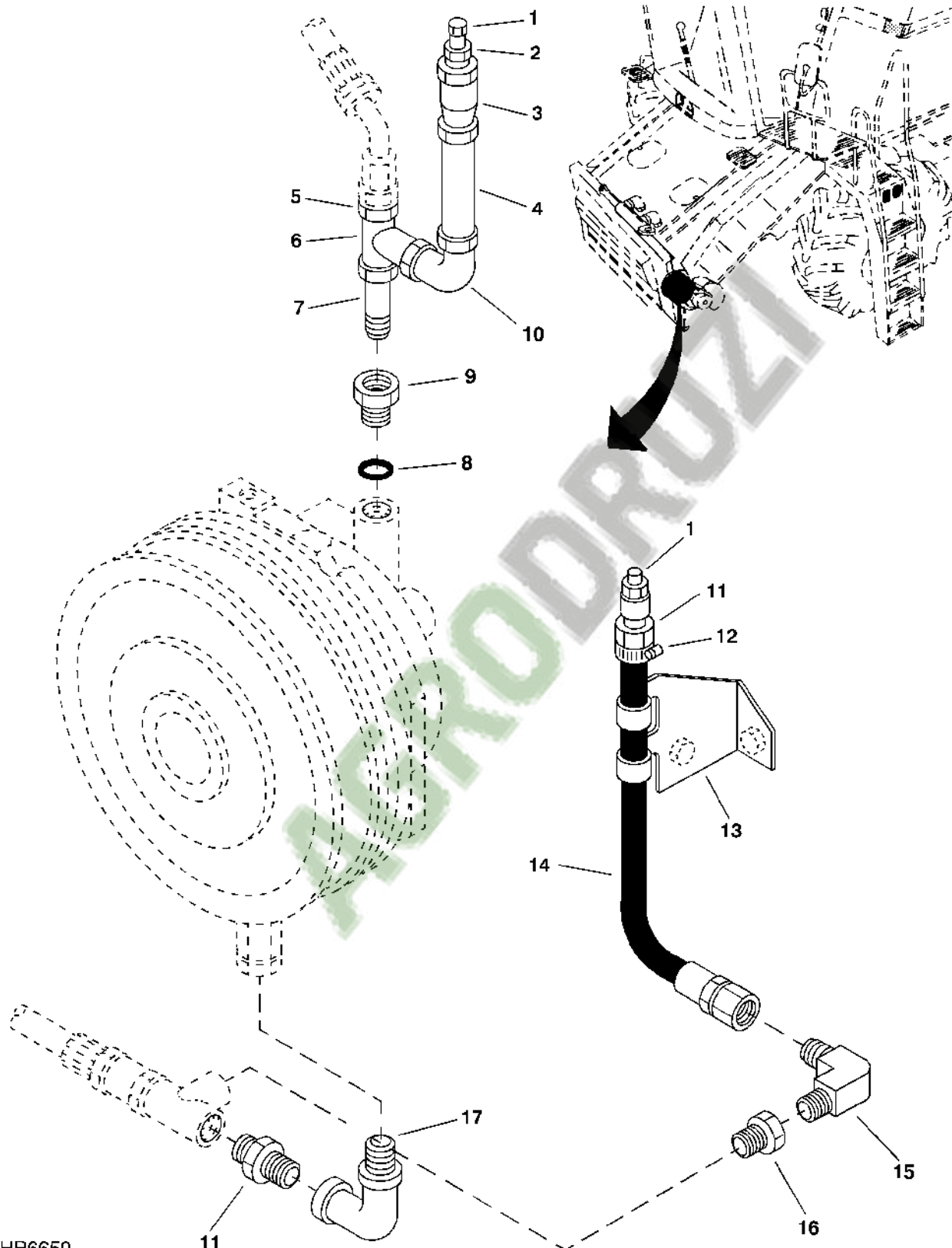
HP6649

350

6C18

FEEDER HOUSE GEARCASE OIL COOLER FITTINGS AND HOSES

HP6650 -UN-18AUG97



HP6650

11

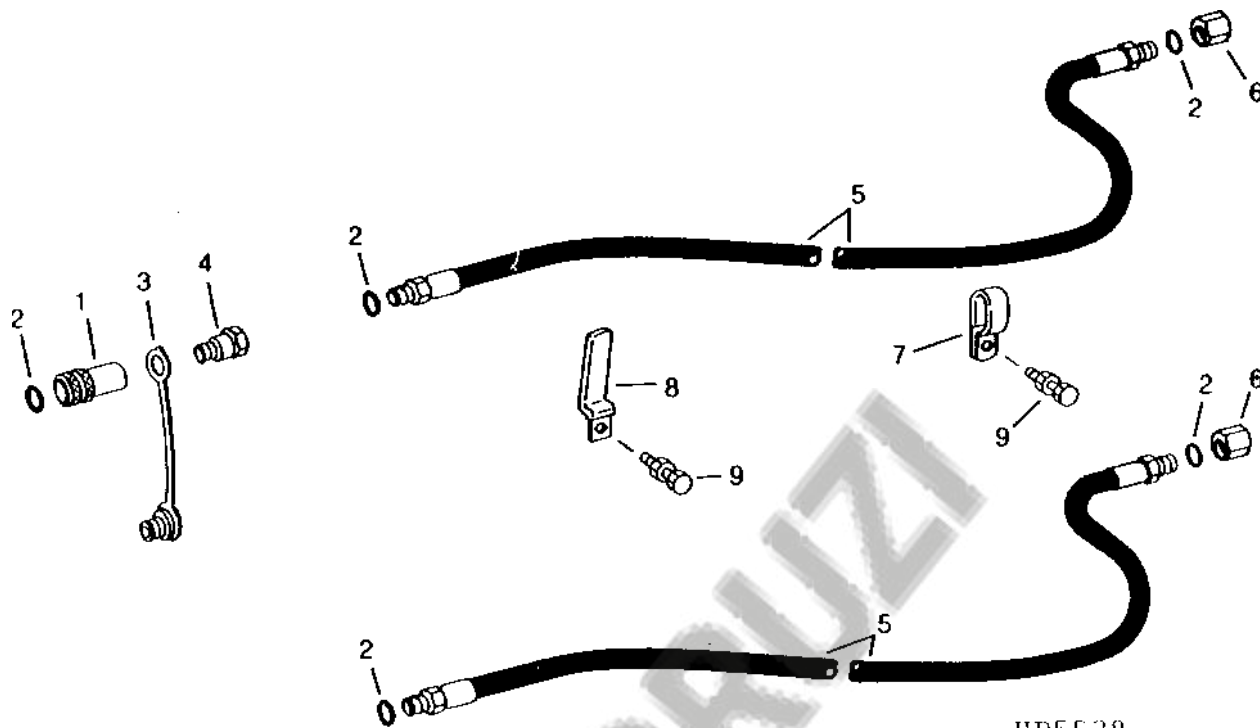
351

6C20

HYDRAULICS

200 SERIES CUTTING PLATFORM HYDRAULIC CONVERSION PARTS

HP5528 -UN-01JAN94



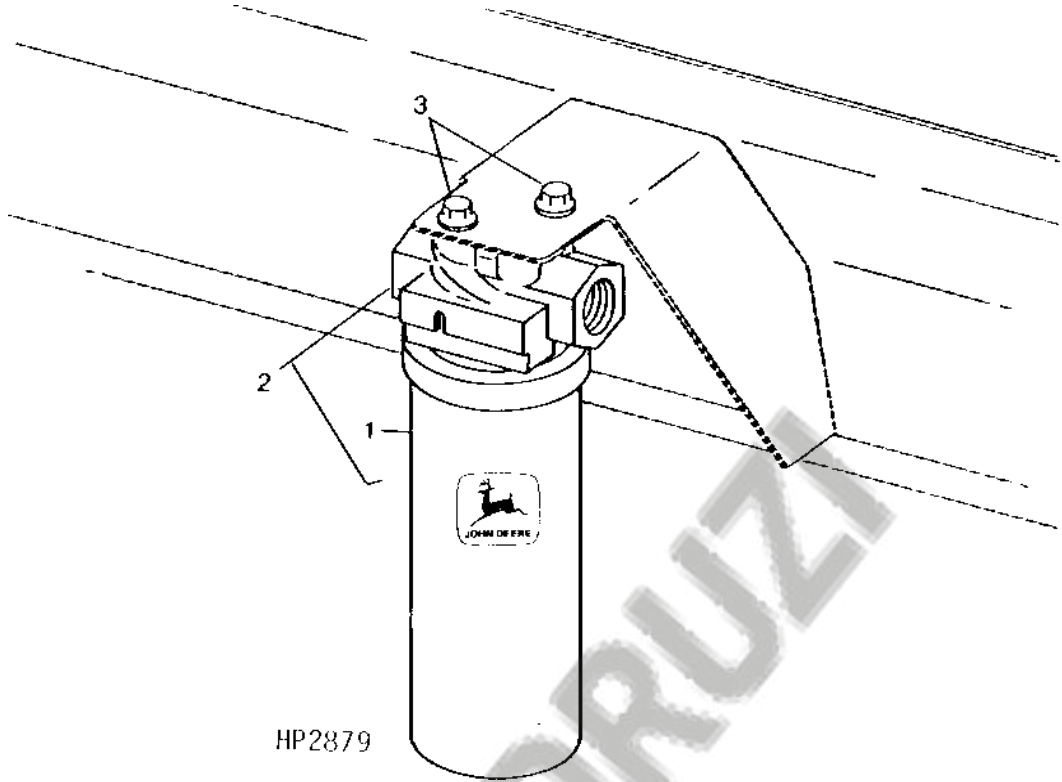
HP5528

KEY	PART NO.	PART NAME	QTY	SERIAL NO.	REMARKS
				S	
				H	
				9	
				5	
				0	
				0	

AGRODRIVE

6C21

MAIN HYDRAULIC FILTER ASSEMBLY
HP2879 -UN-01JAN94



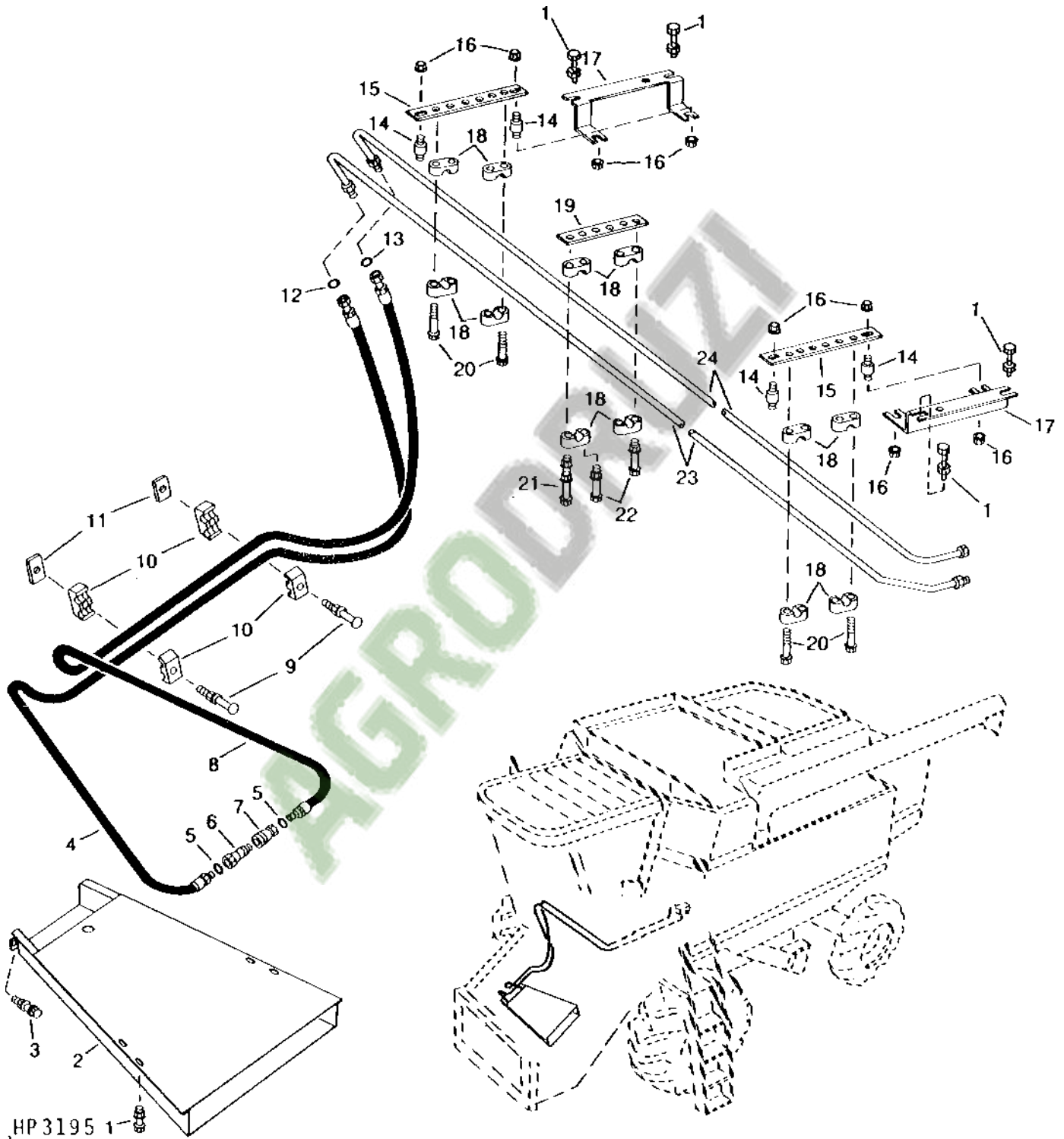
HP2879

KEY	PART NO.	PART NAME	QTY	SERIAL NO.	REMARKS
				S H 9 9 5 5 0 0 0 0	

AGROURUZI

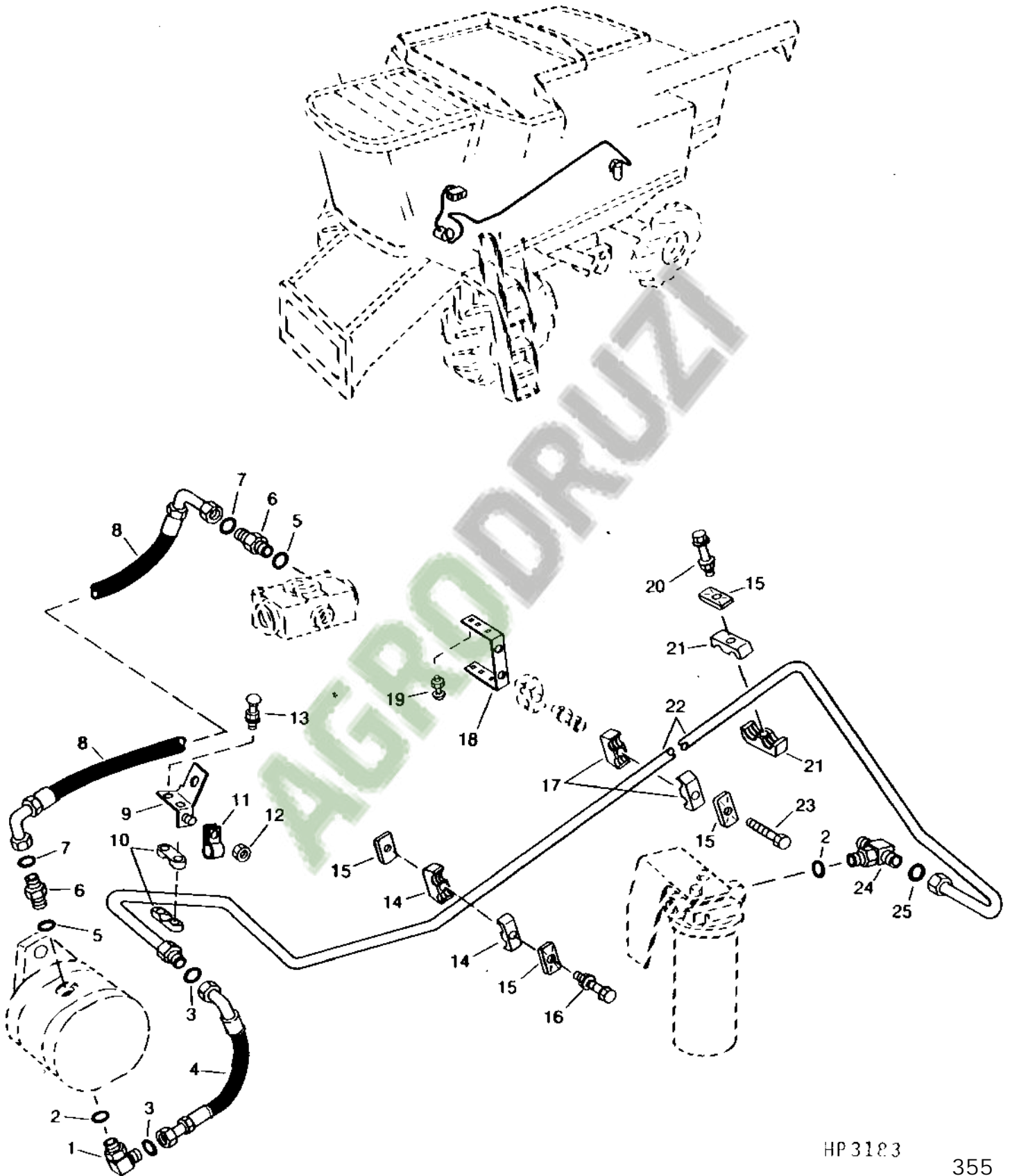
6C22

REEL DRIVE HYDRAULIC LINES AND HOSES, FRONT
HP3195 -UN-01JAN94



6C24

REEL PUMP HYDRAULIC LINES AND HOSES
HP3183 -UN-01JAN94

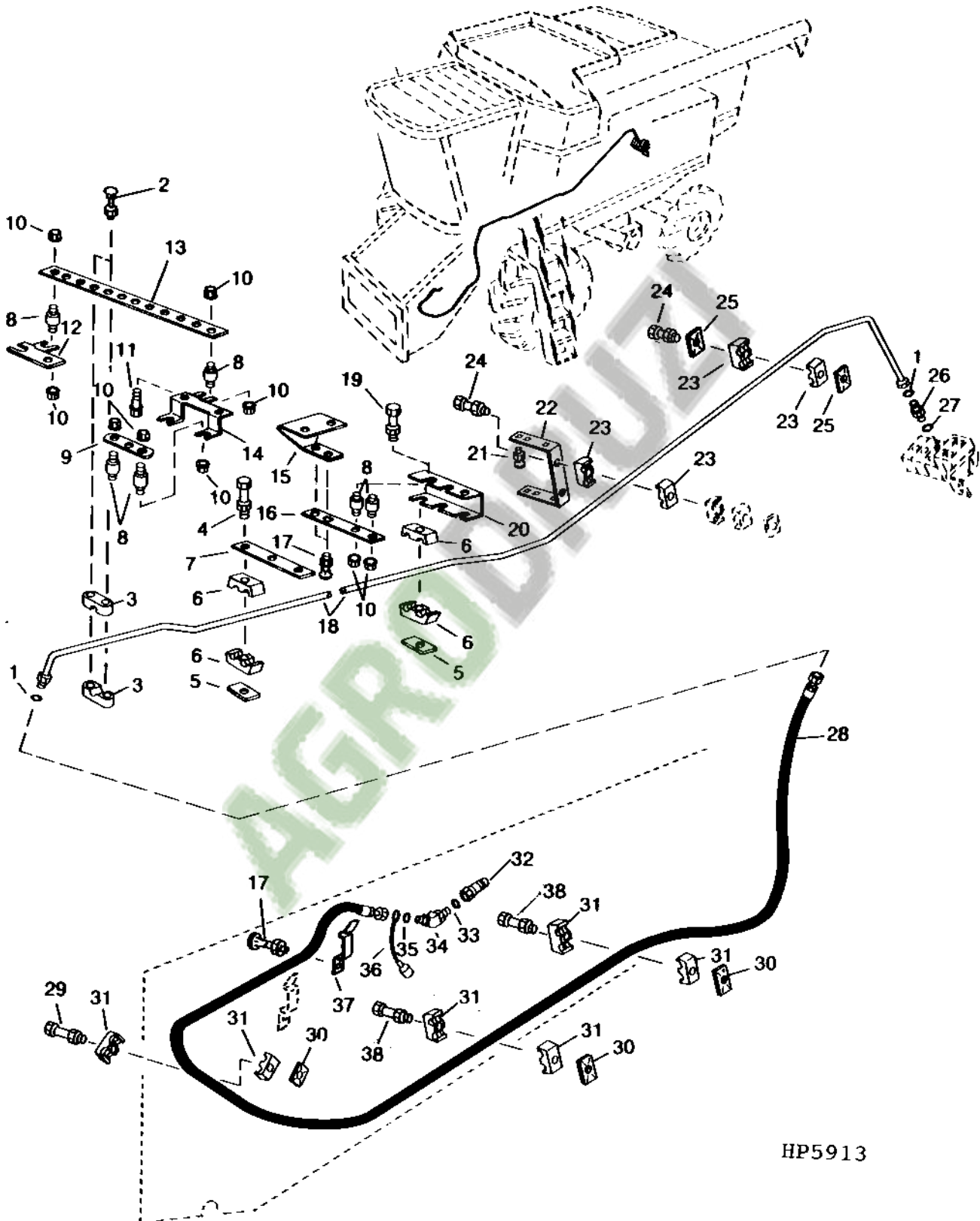


HP3183

355

6D1

REEL LIFT LINES AND HOSES
HP5913 -UN-14FEB95



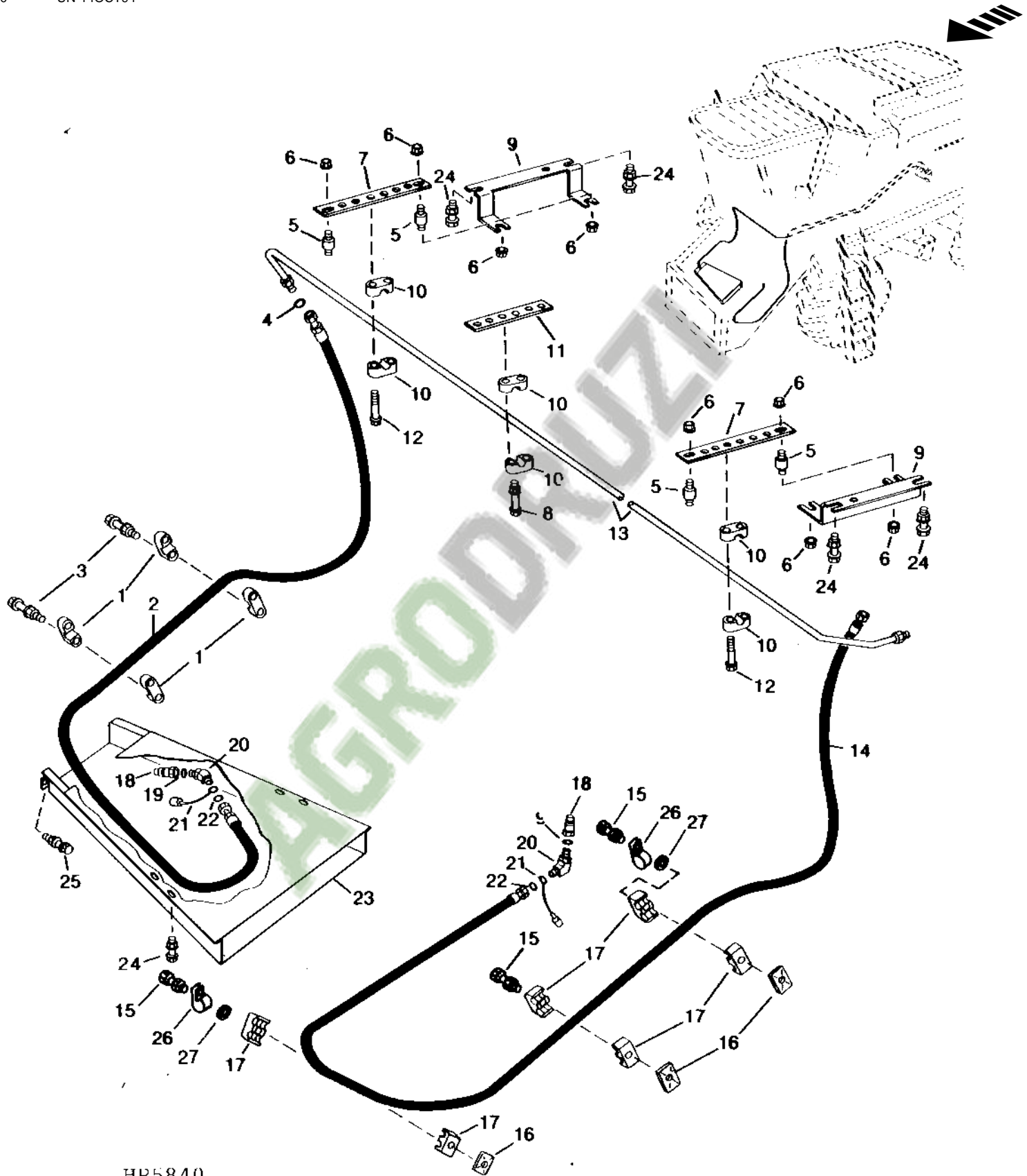
HP5913

6D3

HYDRAULICS

REEL FORE-AND-AFT HYDRAULIC LINES AND HOSES, FRONT (OPTIONAL)

HP5840 -UN-14OCT94



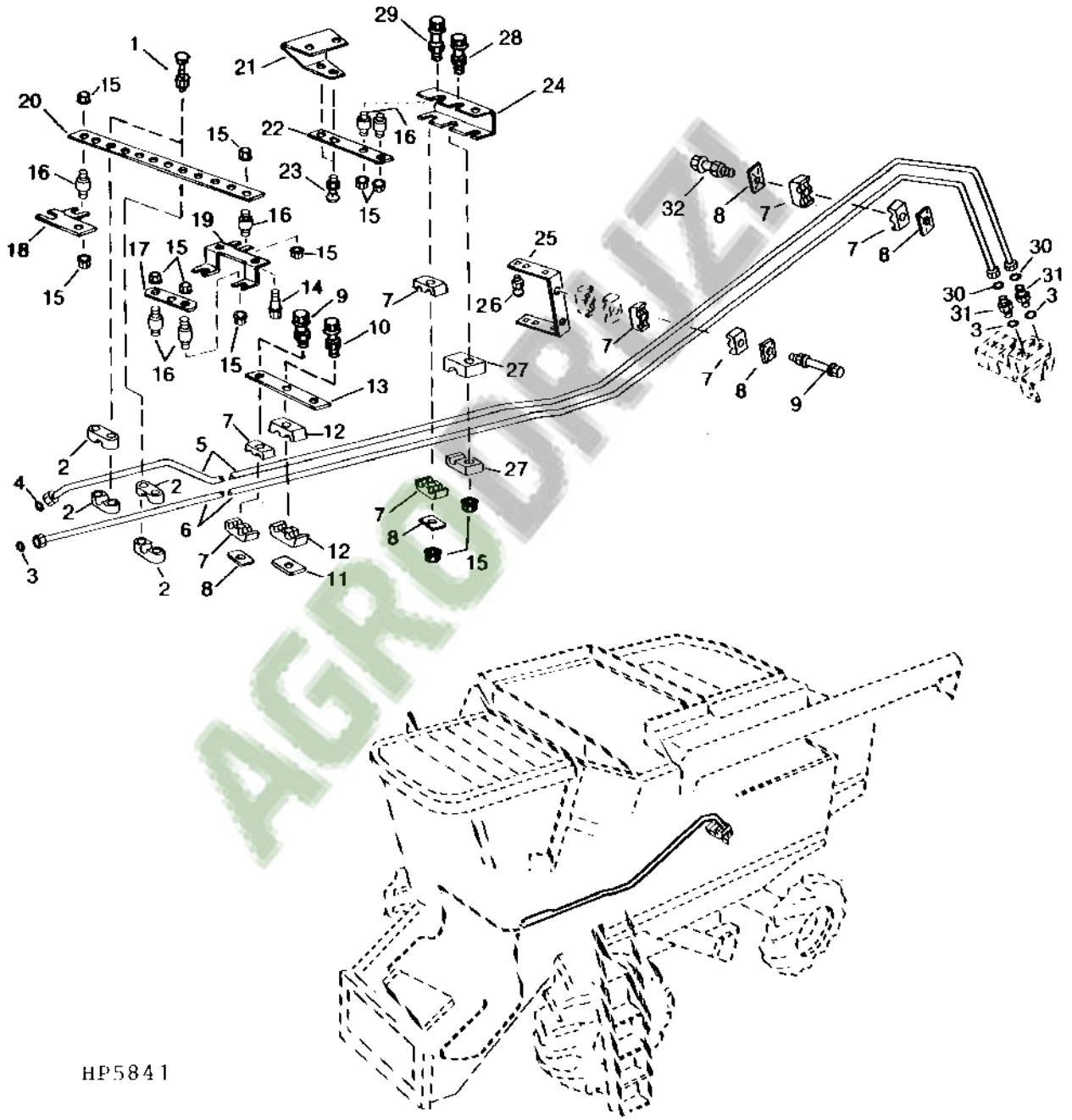
HP5840

357

6D5

REEL FORE-AND-AFT HYDRAULIC LINES, L.H. SIDE
(OPTIONAL)

HP5841 -UN-14OCT94

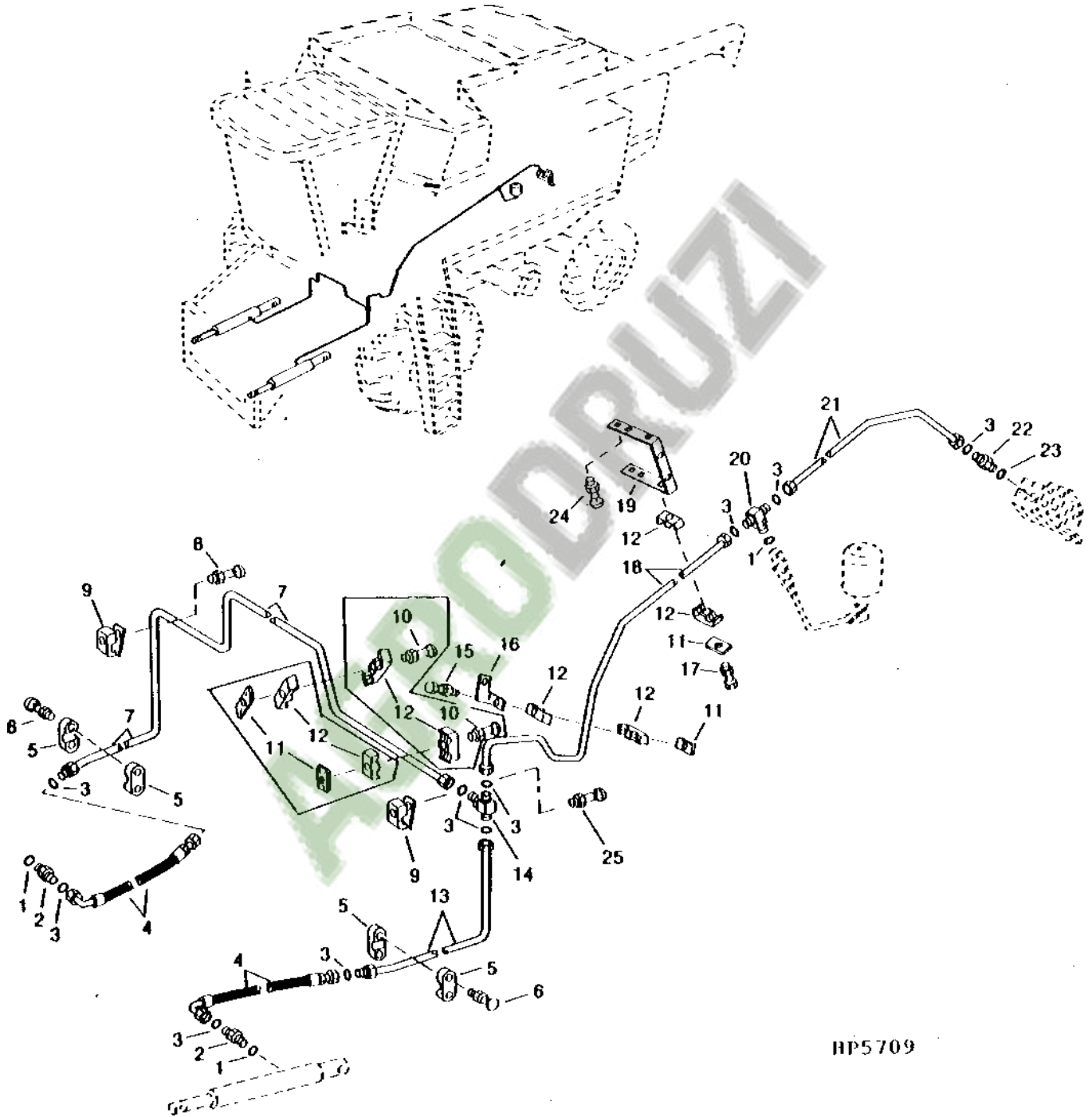


HP5841

6D7

HEADER LIFT HYDRAULIC LINES AND HOSES

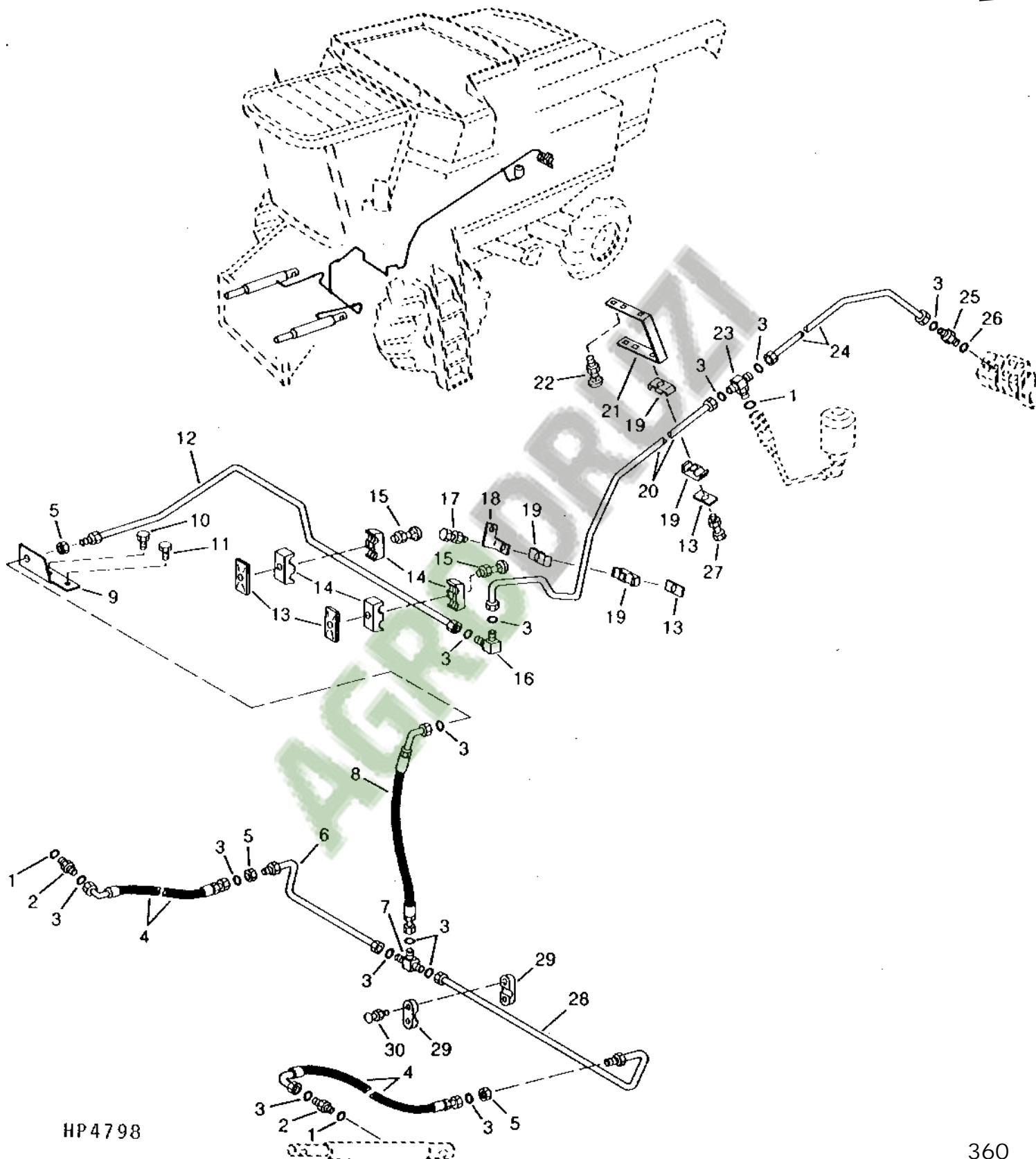
HP5709 -UN-01JAN94



HP5709

HEADER LIFT HYDRAULIC LINES AND HOSES (SIDEHILL)

HP4798 -UN-01JAN94



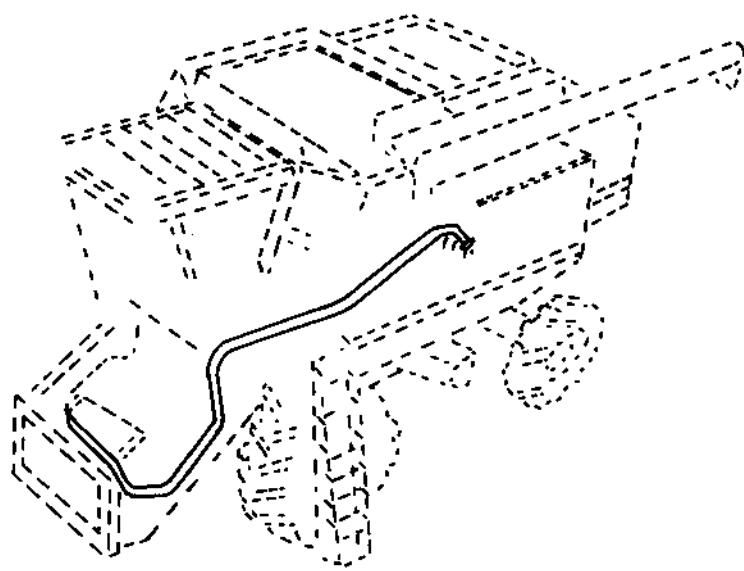
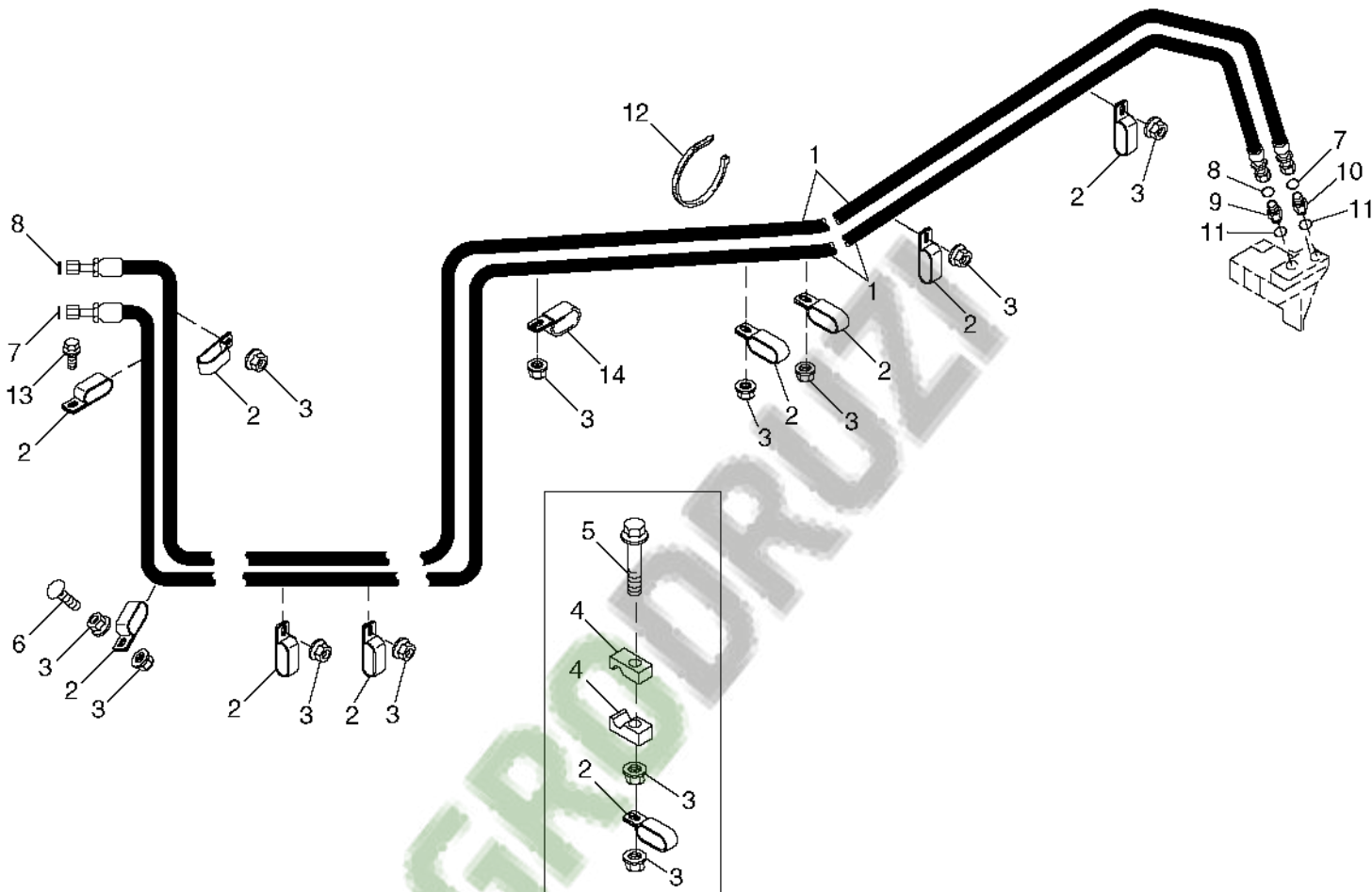
HP4798

360

6D11

CONTOUR MASTER HYDRAULIC HOSES, L.H. SIDE (OPTIONAL)

(660201-)
HP9276 -UN-15NOV99

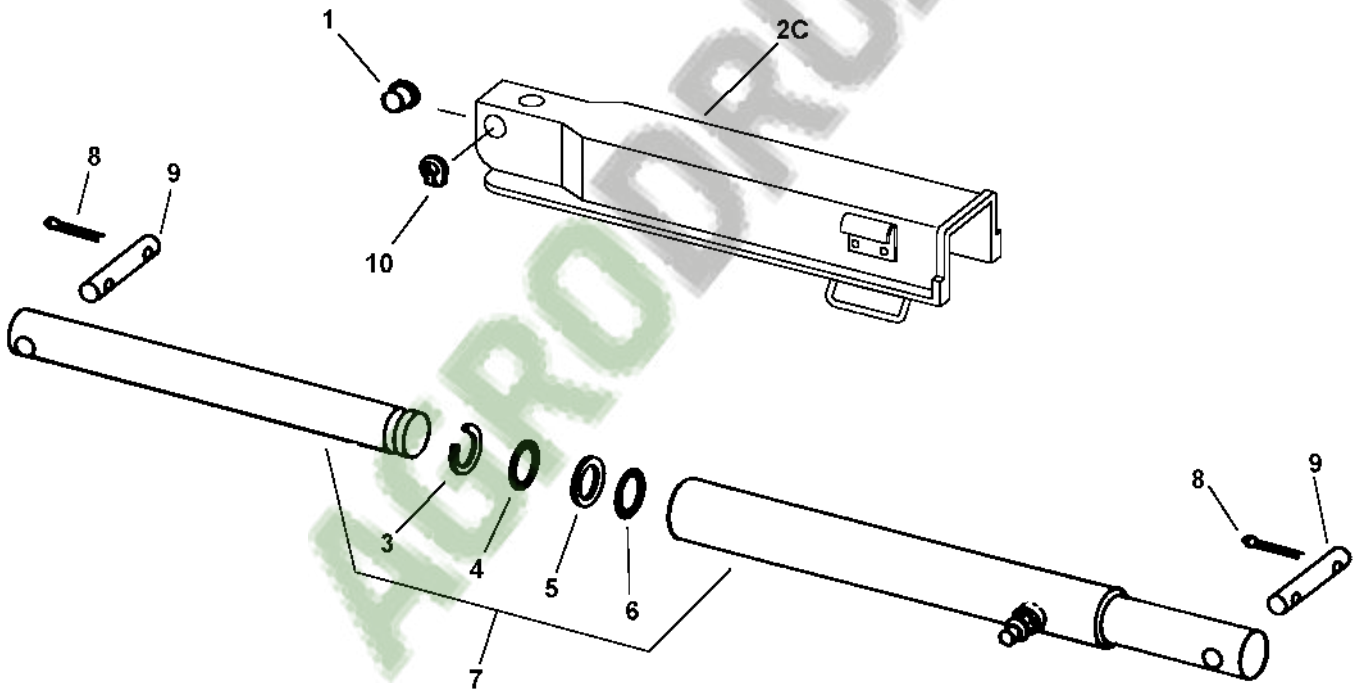
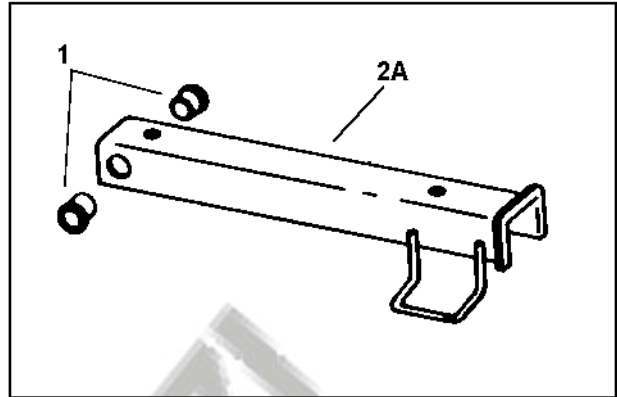
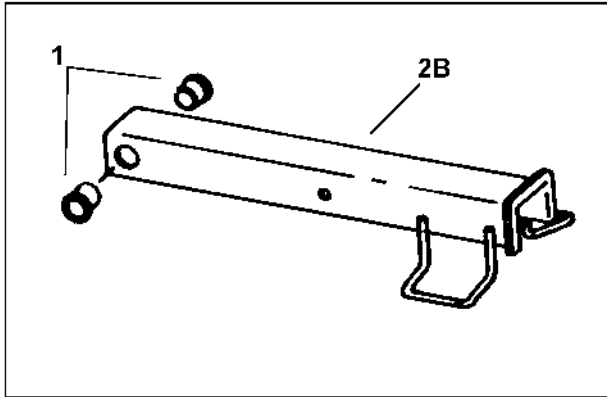


HP9276

6D13

HYDRAULICS

HEADER LIFT HYDRAULIC CYLINDER
HP7441 -UN-03MAR98



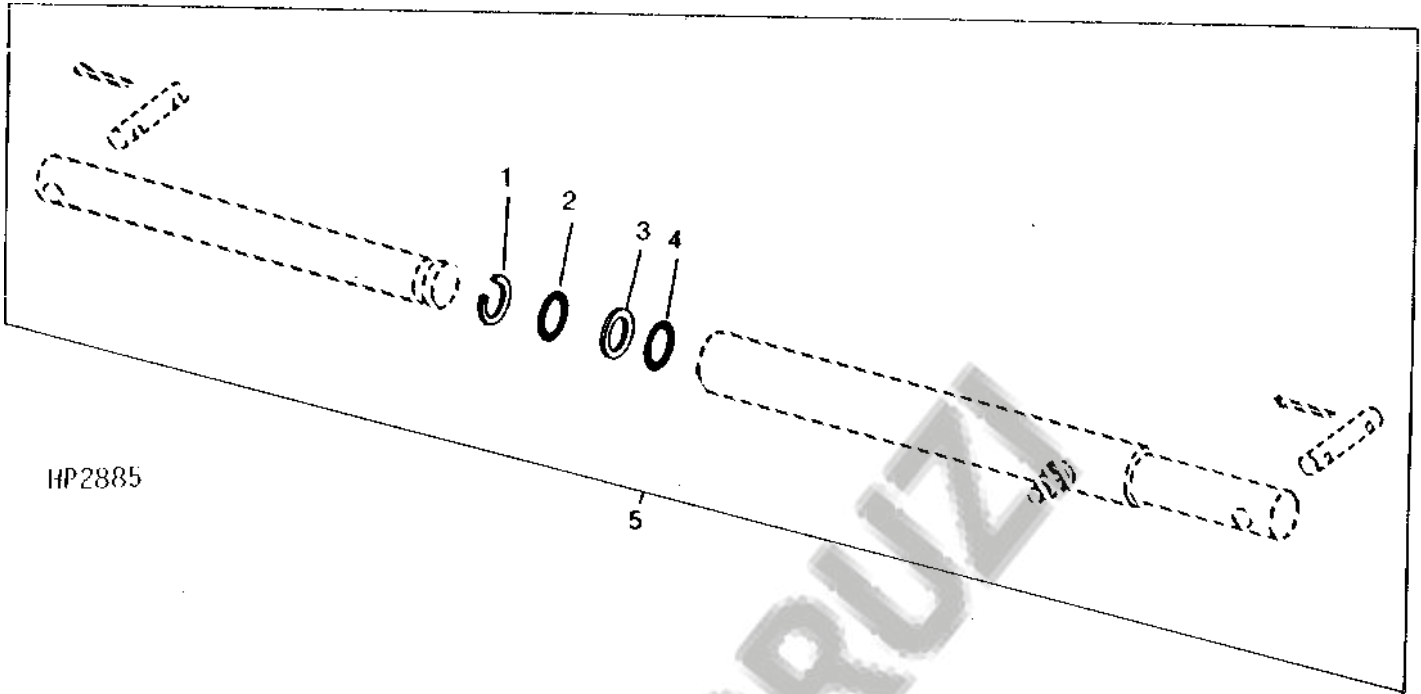
HP7441

362

6D15

HYDRAULICS

HEADER LIFT HYDRAULIC CYLINDER KIT
 HP2885 -UN-01JAN94



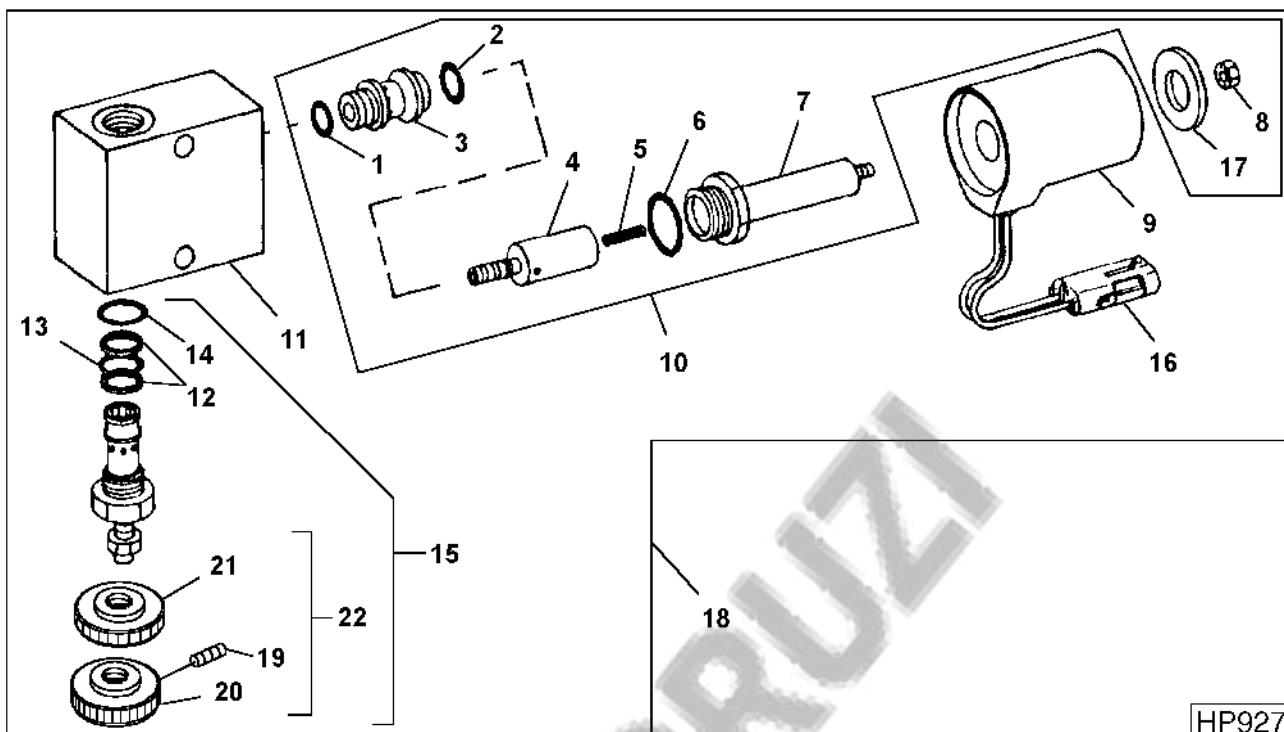
KEY	PART NO.	PART NAME	QTY	SERIAL NO.	S	H	REMARKS
1	RING	1		X	X	(RETAINING)
2	SEAL	1		X	X	
3	WASHER	1		X	X	
4	O-RING	1		X	X	
5	AH129321	SEAL KIT	1	-650200	X		(SEAL REPAIR) (2-1/8" BORE)
	AH139755	HYDRAULIC CYLINDER KIT	1	650201-	X		(SEAL REPAIR) (2-1/8" BORE)
	AE37830	SEAL KIT	1		X		(SEAL REPAIR)
	AH139796	HYDRAULIC CYLINDER KIT	1	650201-	X		(SEAL REPAIR)

6D16

HYDRAULICS

DIAL-A-MATIC HEADER HEIGHT CONTROL VALVE

HP9277 -UN-12NOV99



HP9277

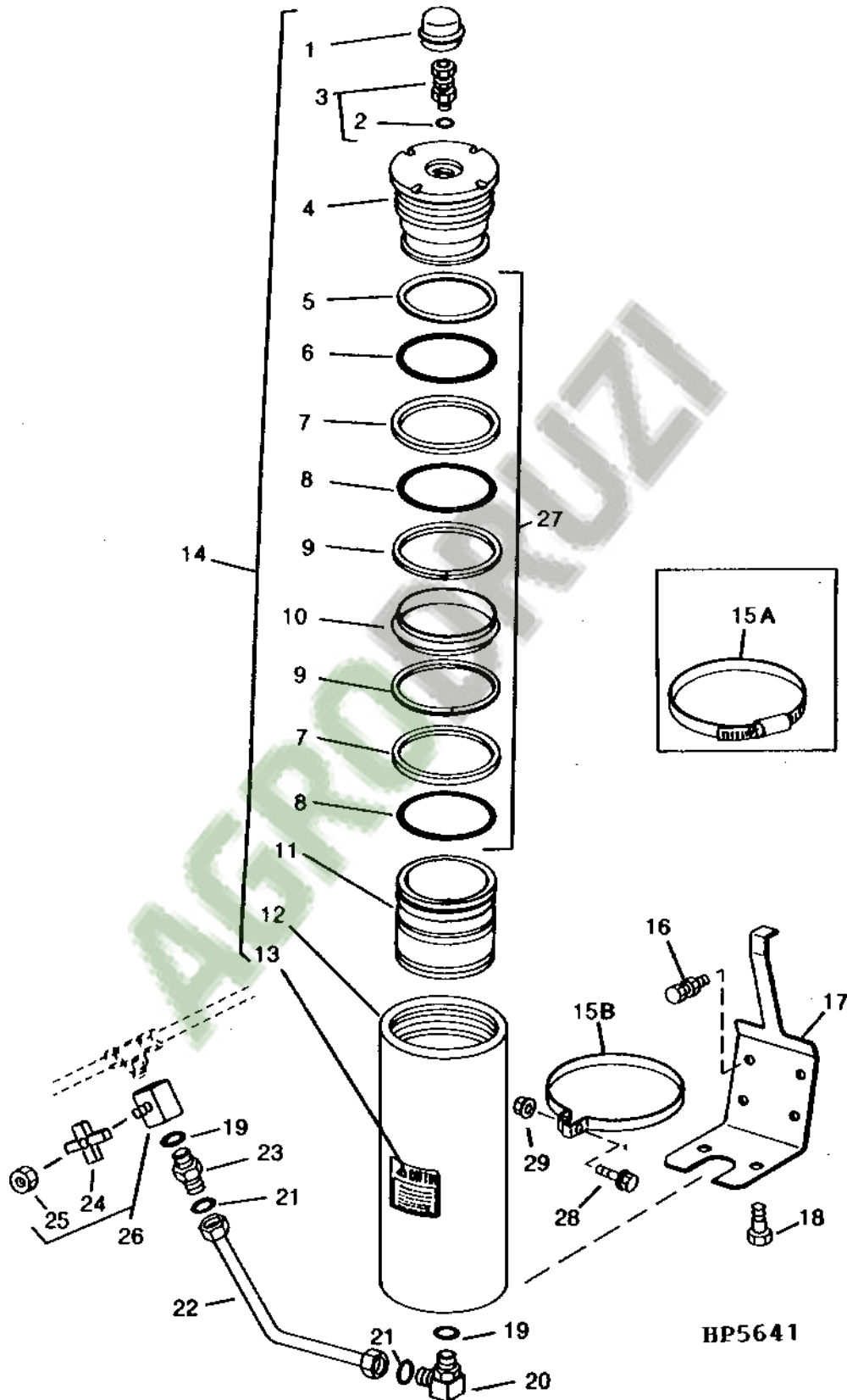
KEY	PART NO.	PART NAME	QTY	SERIAL NO.	REMARKS
				S	
				H	
				9	
				5	
				0	
				0	

S
H
9
5
0
0

6D17

ONE-HALF GALLON (SINGLE) ACCUMULATOR AND MOUNTING

HP5641 -UN-01JAN94

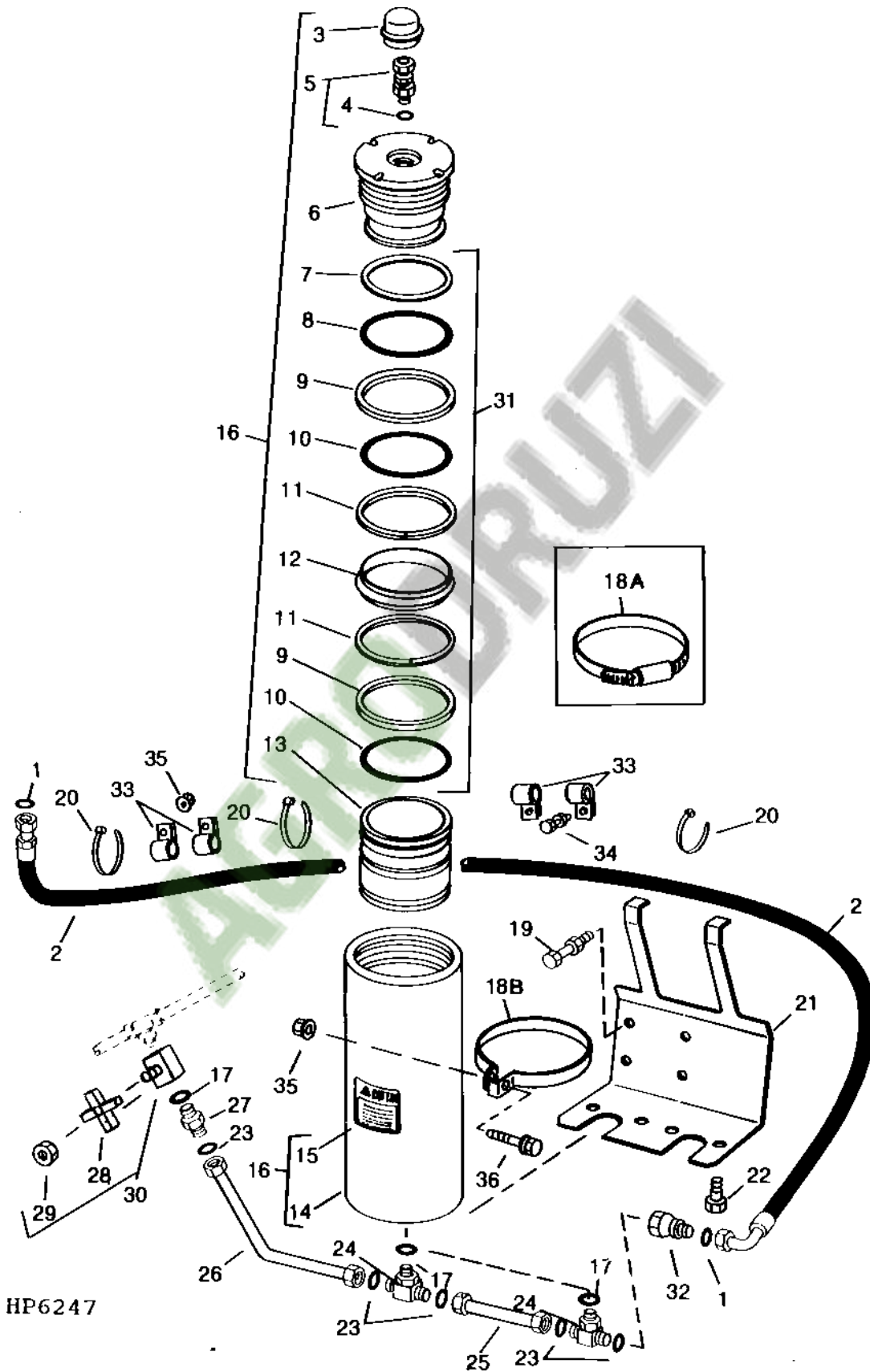


6D19

ONE-HALF GALLON (DUAL) ACCUMULATOR, HOSE, LINE AND MOUNTING

(-655200)

HP6247 -UN-04JAN96



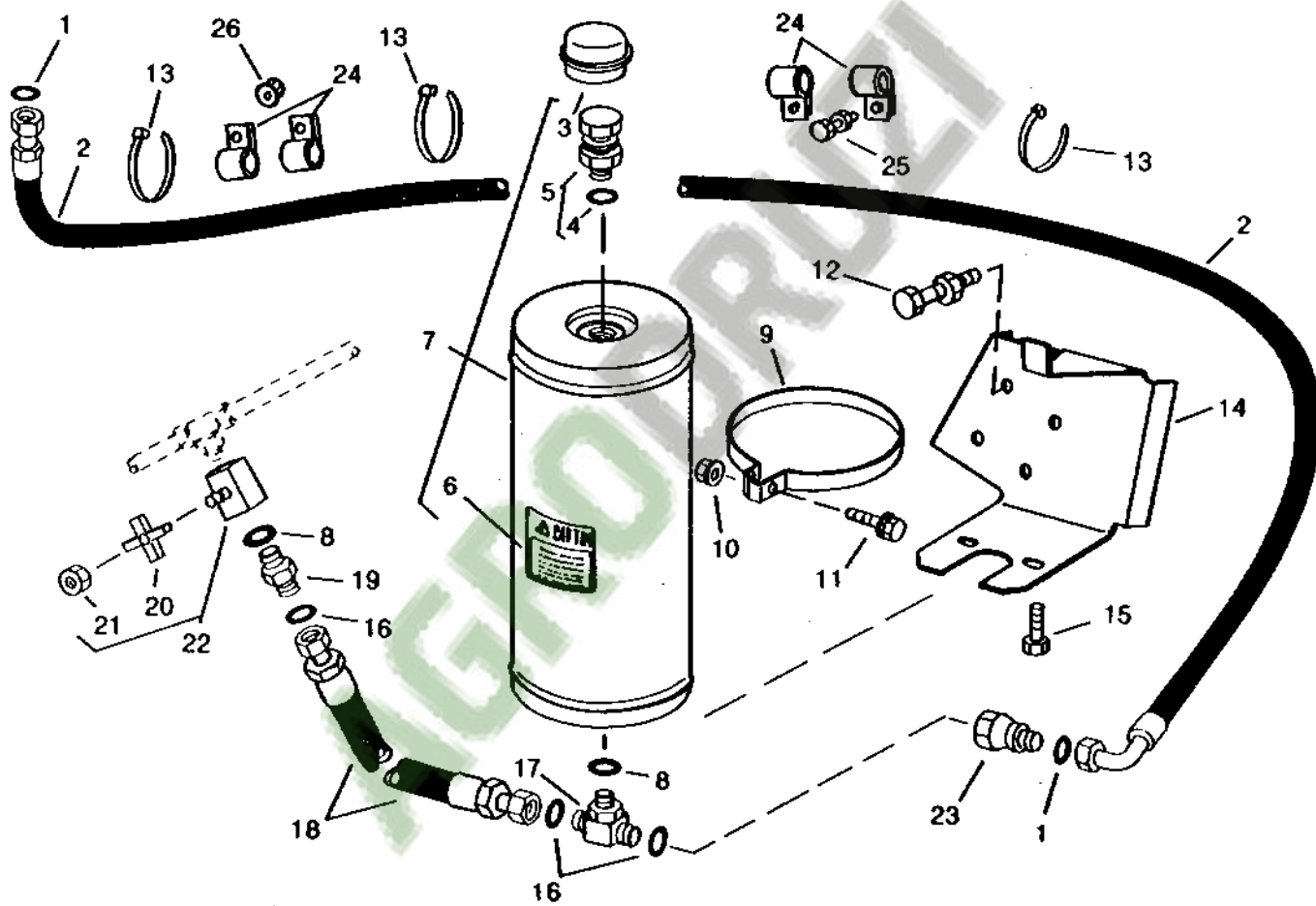
HP6247

366

6D21

ONE GALLON ACCUMULATOR, HOSE, LINE AND MOUNTING

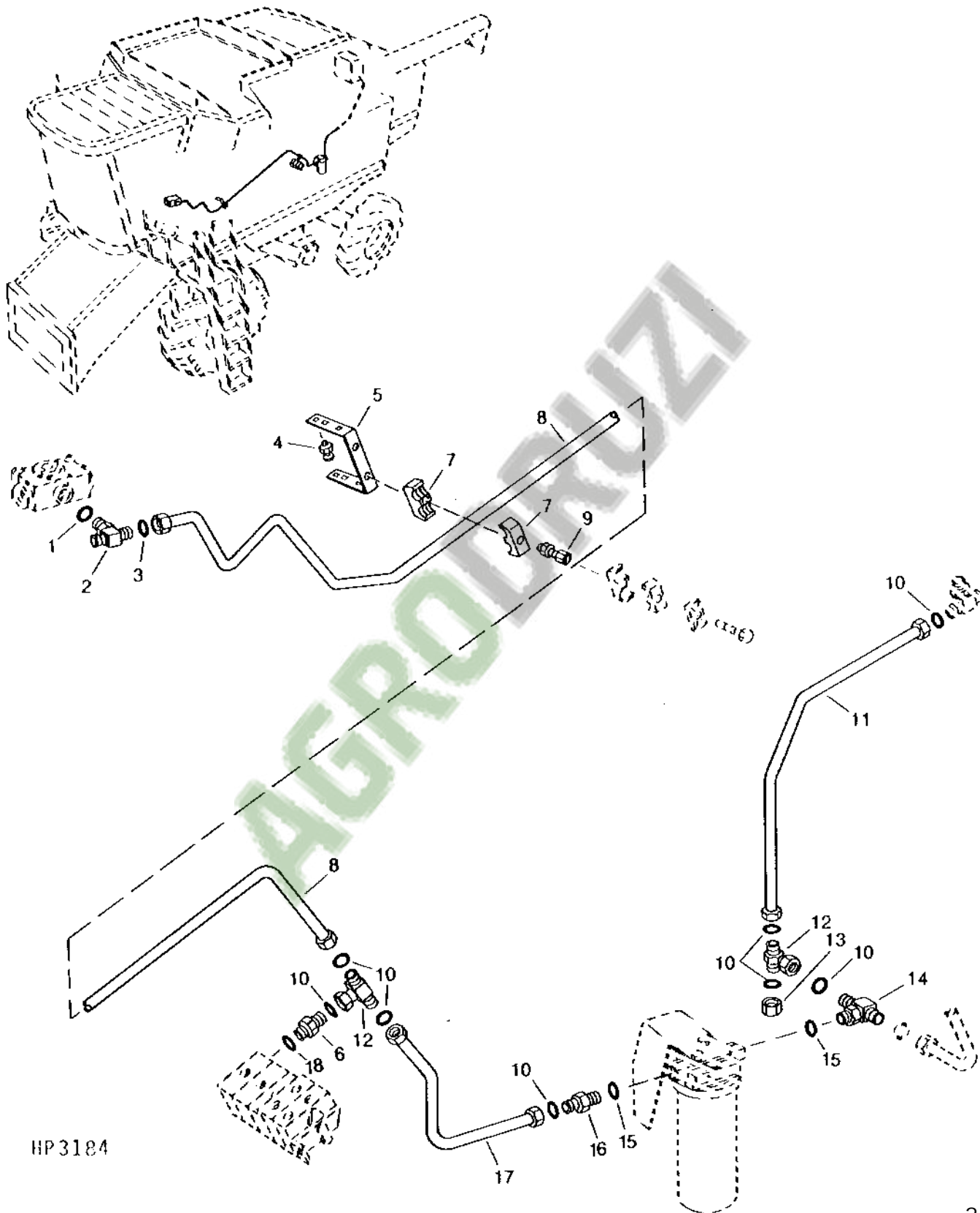
(655201-)
HP5640 -UN-01JAN94



HP5640

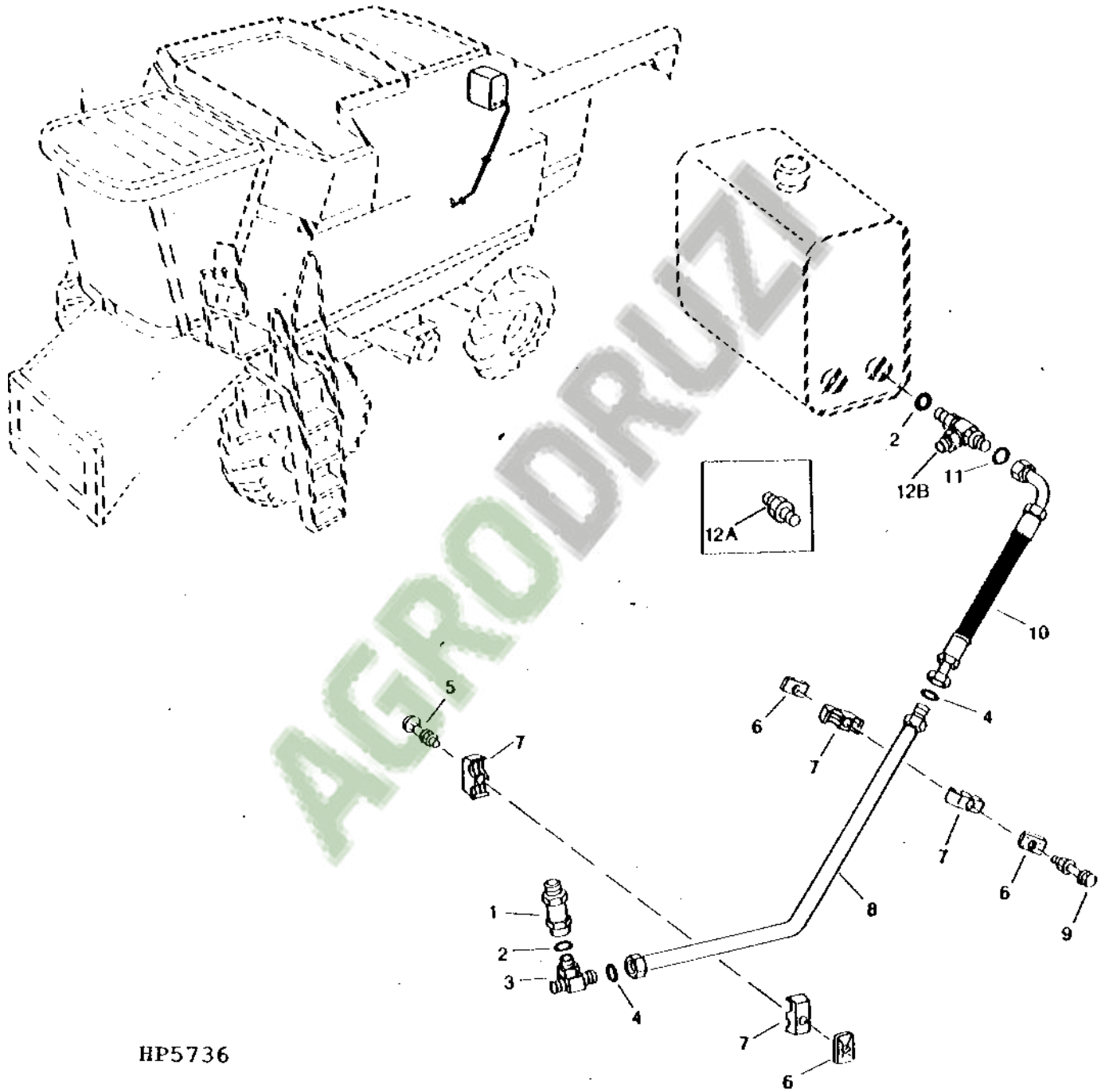
6D23

HYDRAULIC RETURN LINES HP3184 -UN-01JAN94



HP3184

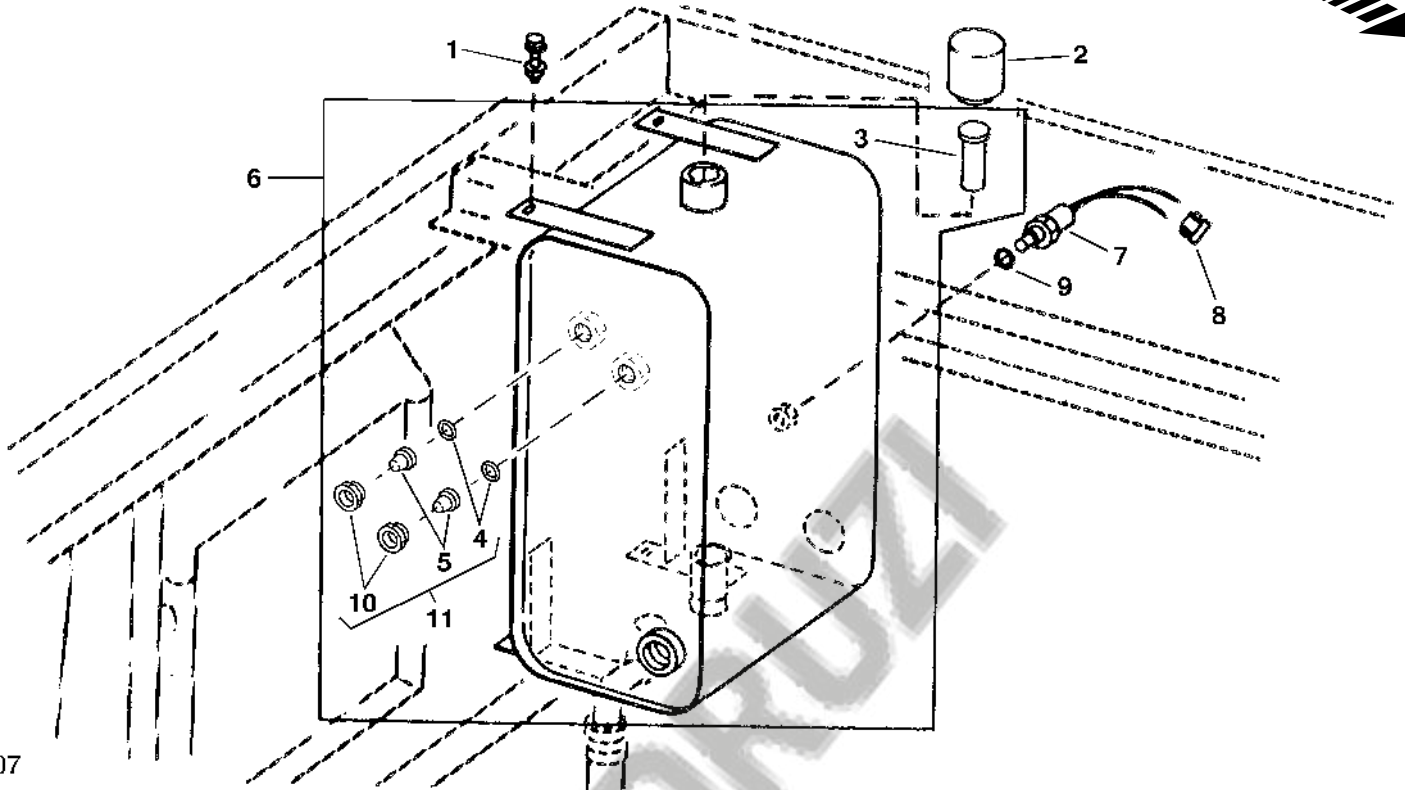
RESERVOIR HYDRAULIC UPPER RETURN LINES AND HOSES
HP5736 -UN-01JAN94



HP5736

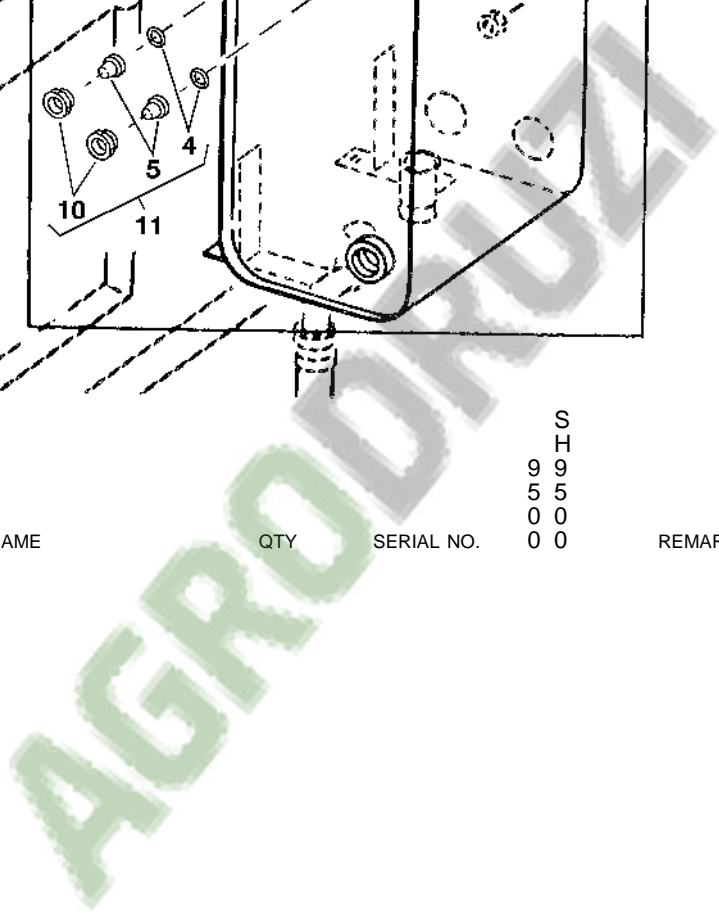
6E3

HYDRAULIC / HYDROSTATIC OIL RESERVOIR AND MOUNTINGS
 HP7207 -UN-17OCT97

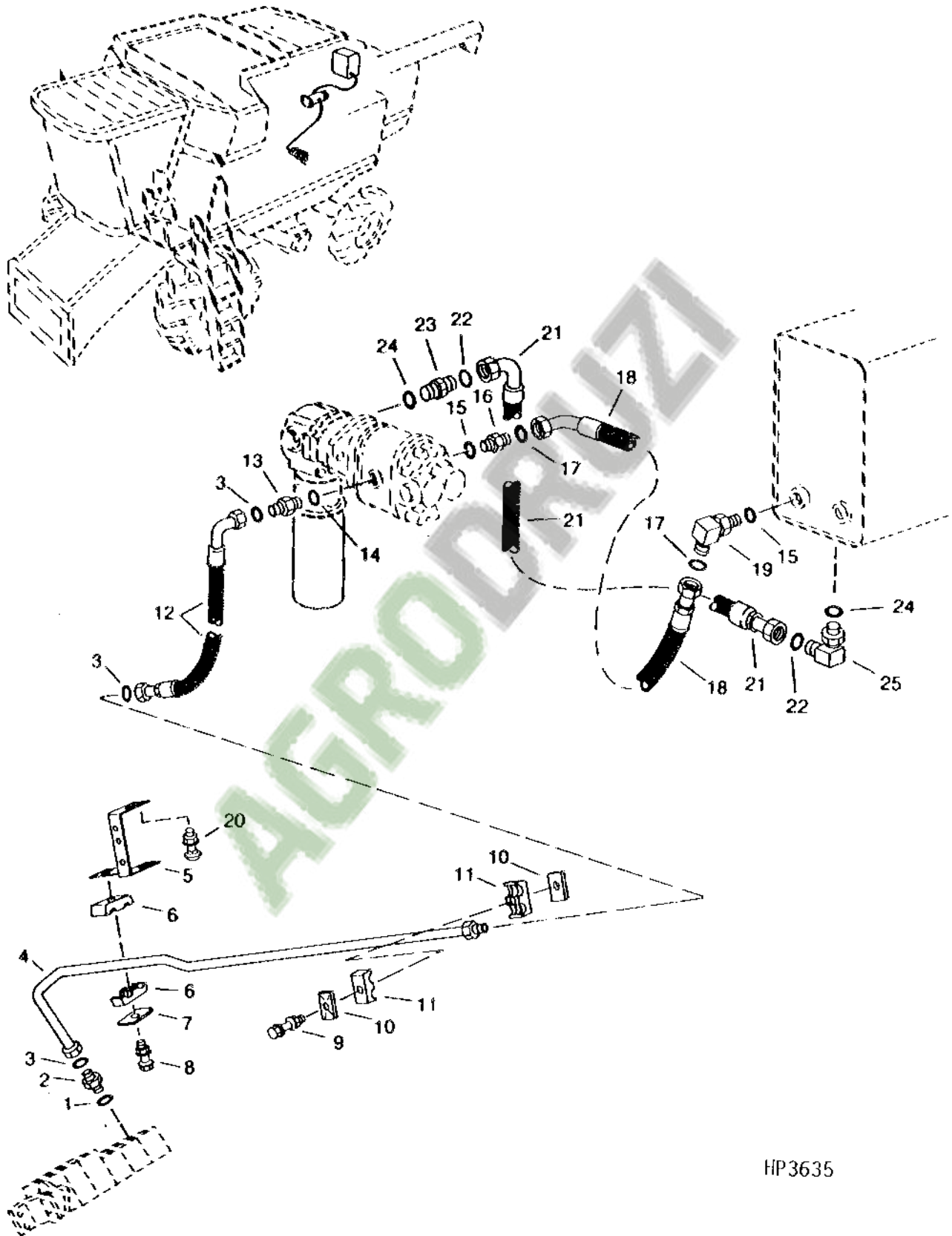


HP7207

KEY	PART NO.	PART NAME	QTY	SERIAL NO.	REMARKS
				S	
				H	
				9 9	
				5 5	
				0 0	
				0 0	

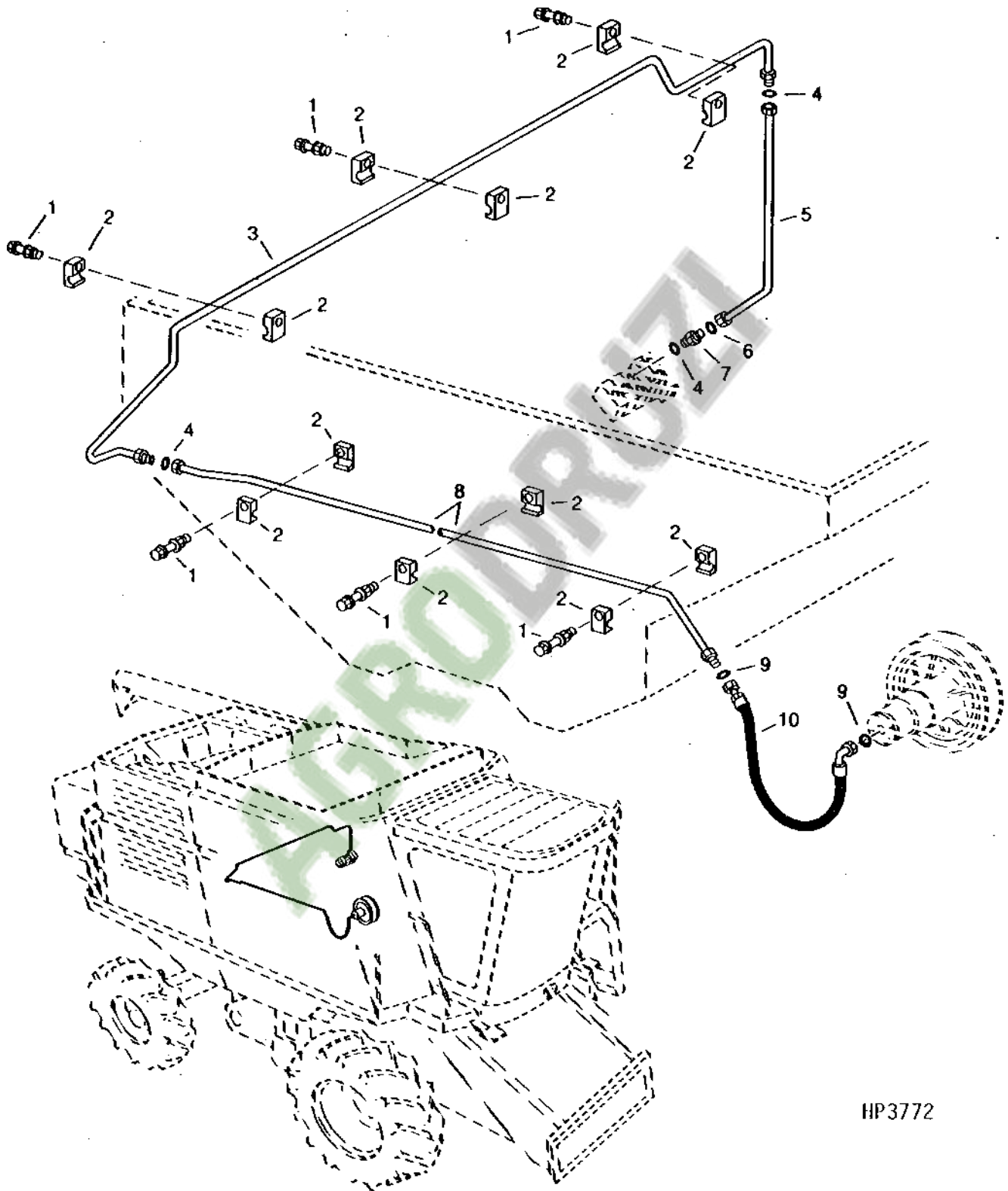


HYDRAULIC PRESSURE LINES AND HOSES
HP3635 -UN-01JAN94



HP3635

CYLINDER SPEED HYDRAULIC LINES AND HOSES
HP3772 -UN-01JAN94

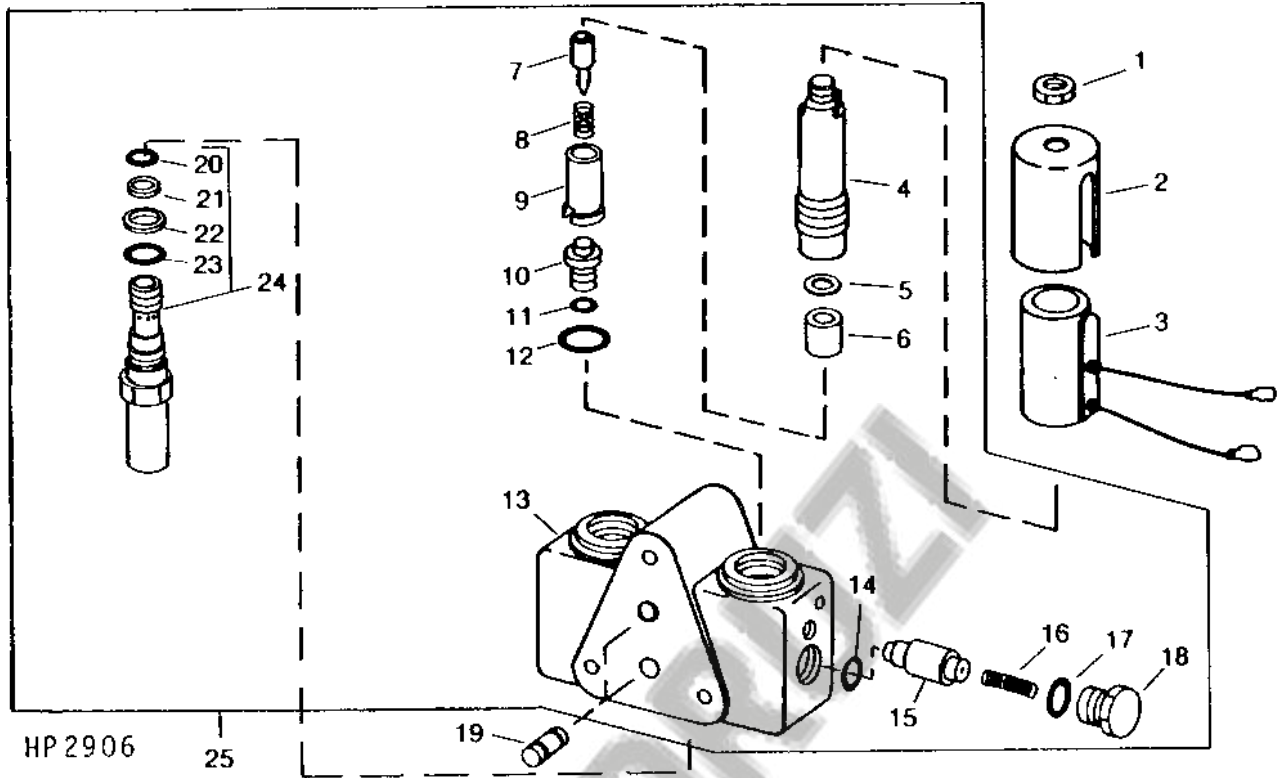


HP3772

6E8

HYDRAULICS

SOLENOID CONTROL RELIEF VALVE MODULE
 HP2906 -UN-01JAN94

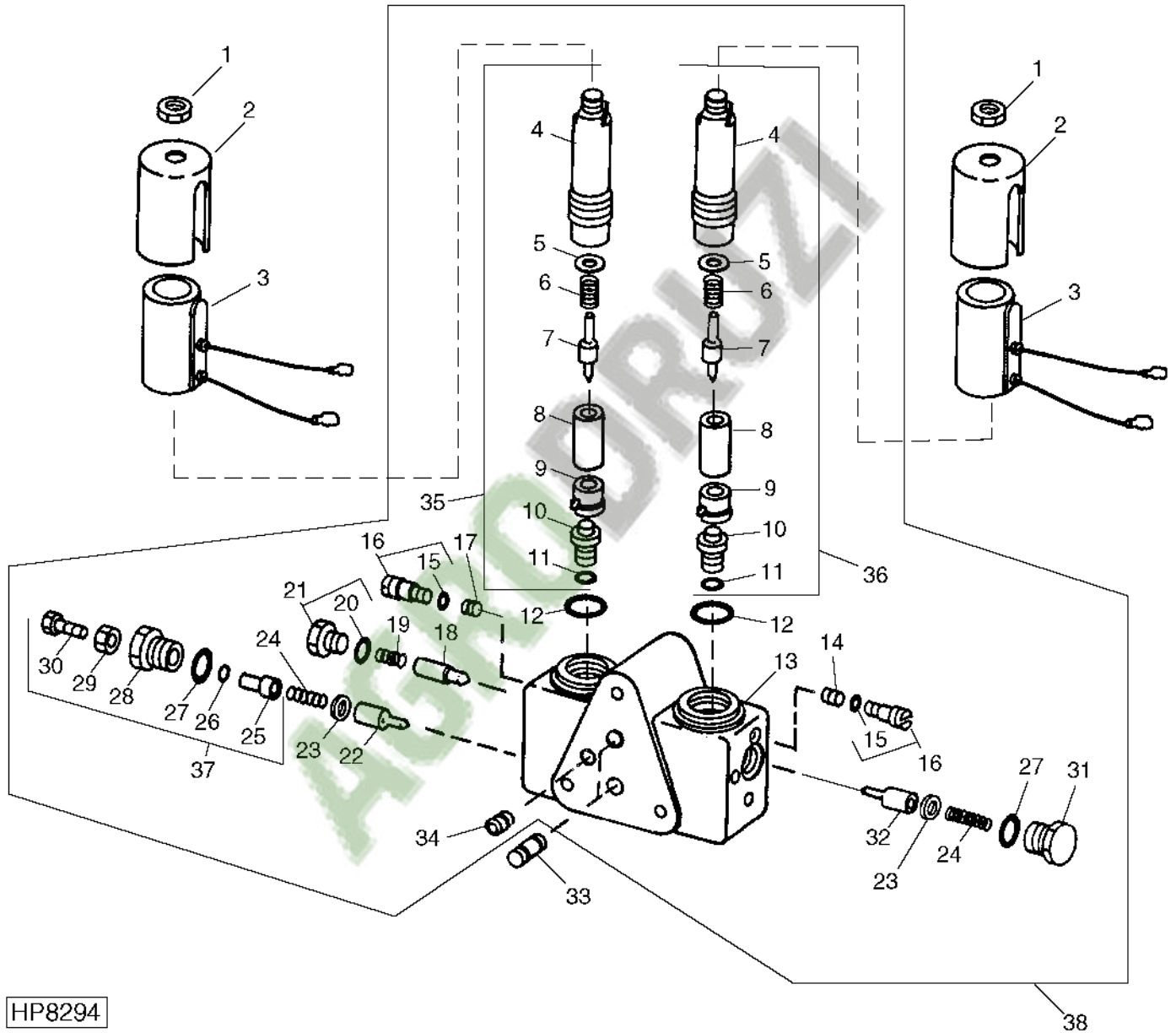


KEY	PART NO.	PART NAME	QTY	SERIAL NO.	REMARKS
				S	
				H	
				9 9	
				5 5	
				0 0	
				0 0	

AGRO

SOLENOID CONTROL VALVE FOR HEADER LIFT MODULE

HP8294 -UN-05MAR99

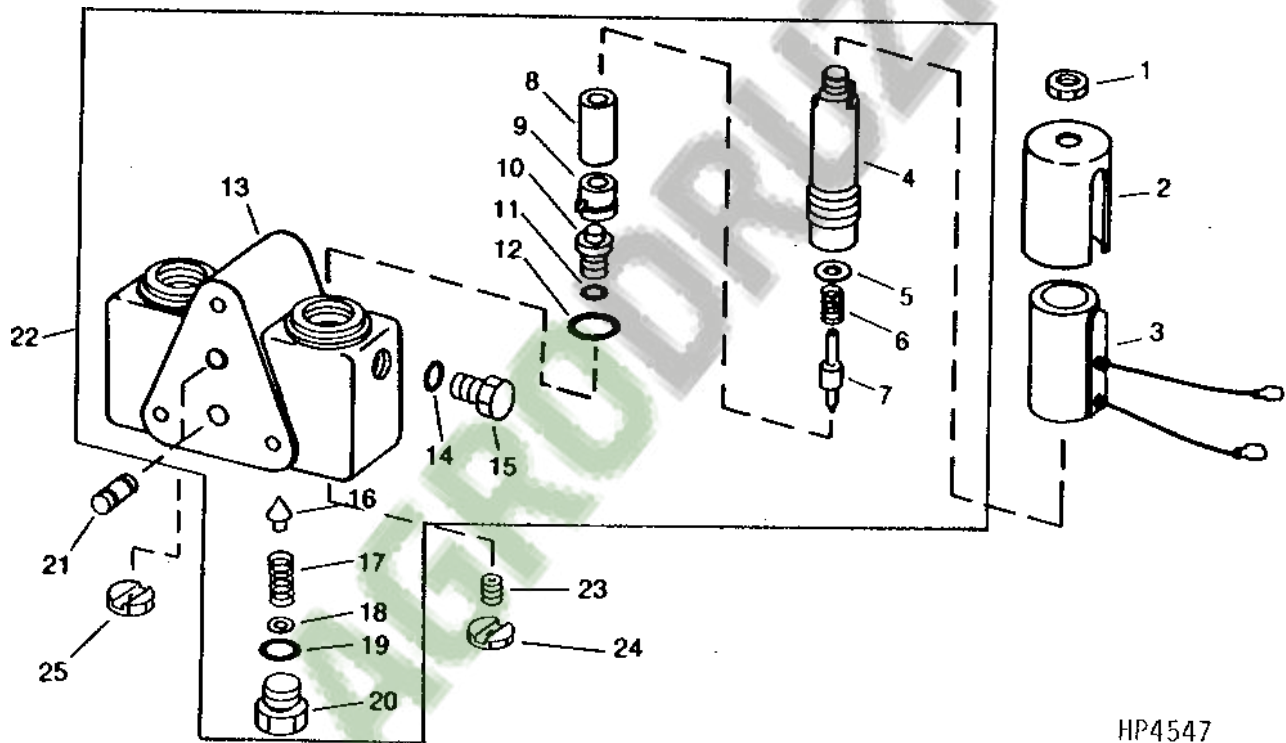


HP8294

6E11

SOLENOID CONTROL VALVE FOR REEL LIFT / VARIABLE AND CYLINDER SPEED

HP4547 -UN-01JAN94



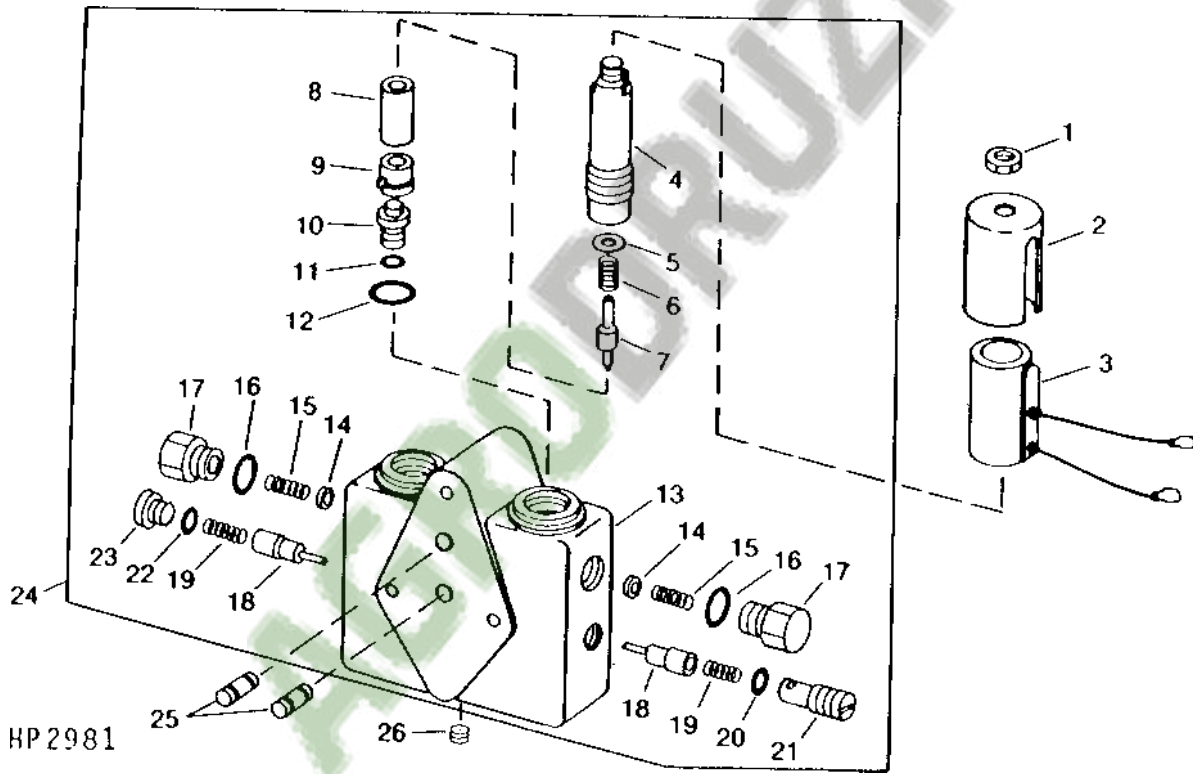
HP4547

6E13

SOLENOID CONTROL VALVE FOR AUGER SWING

(-650200)

HP2981 -UN-01JAN94

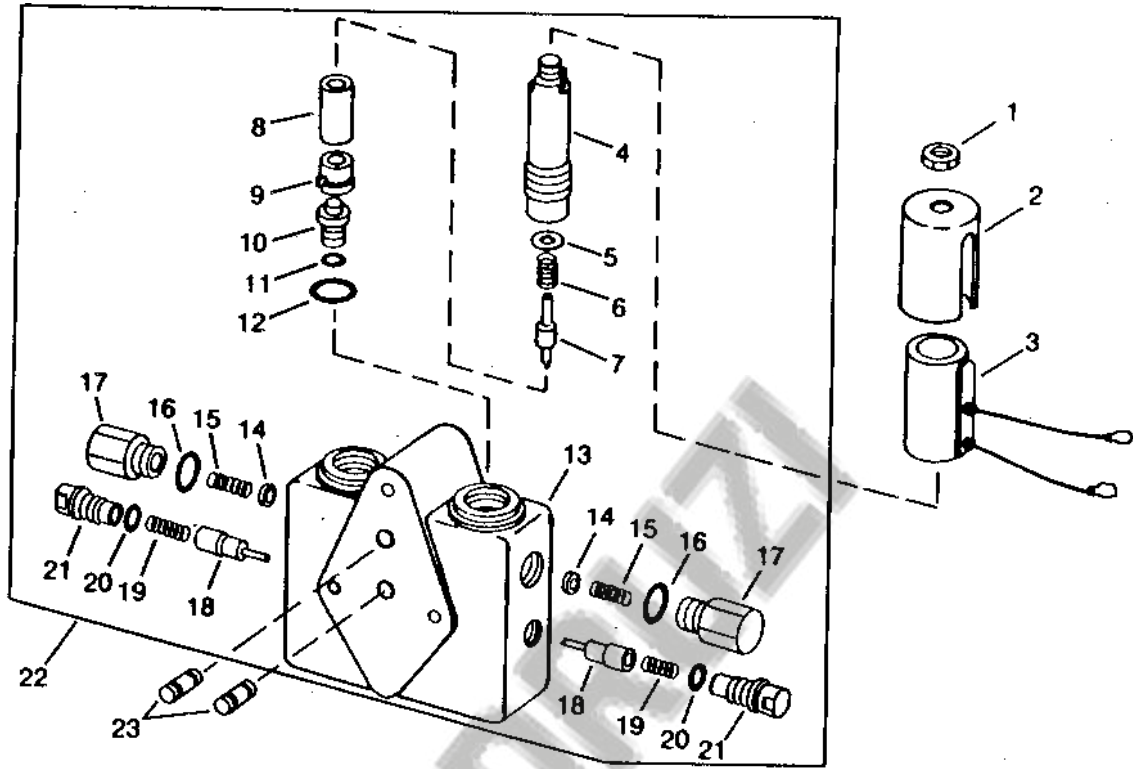


6E15

HYDRAULICS

SOLENOID CONTROL VALVE FOR AUGER SWING

(650201-)
 HP5293 -UN-01JAN94



HP5293

S
 H
 9 9
 5 5
 0 0
 0 0

KEY	PART NO.	PART NAME	QTY	SERIAL NO.	REMARKS
-----	----------	-----------	-----	------------	---------

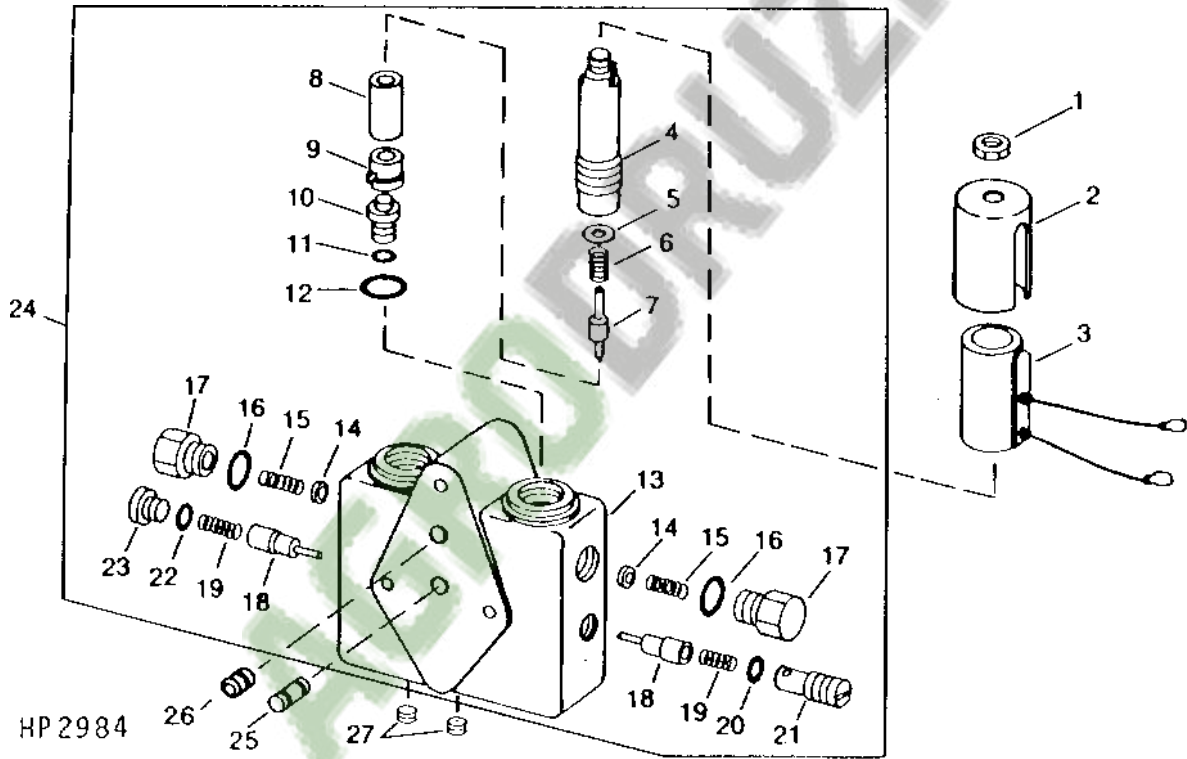
AGRO

6E16

SOLENOID CONTROL VALVE FOR REEL FORE / AFT

(-650200)

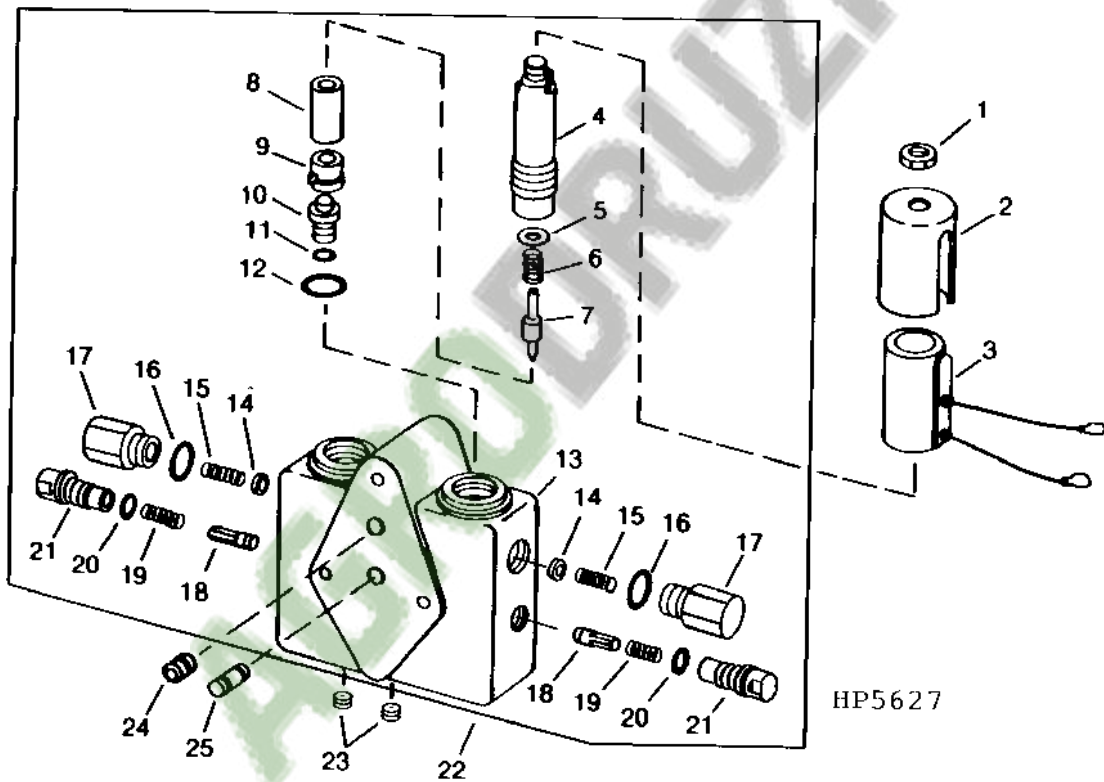
HP2984 -UN-01JAN94



6E18

SOLENOID CONTROL VALVE FOR REEL FORE / AFT AND AUGER SWING

(650201-)
HP5627 -UN-01JAN94

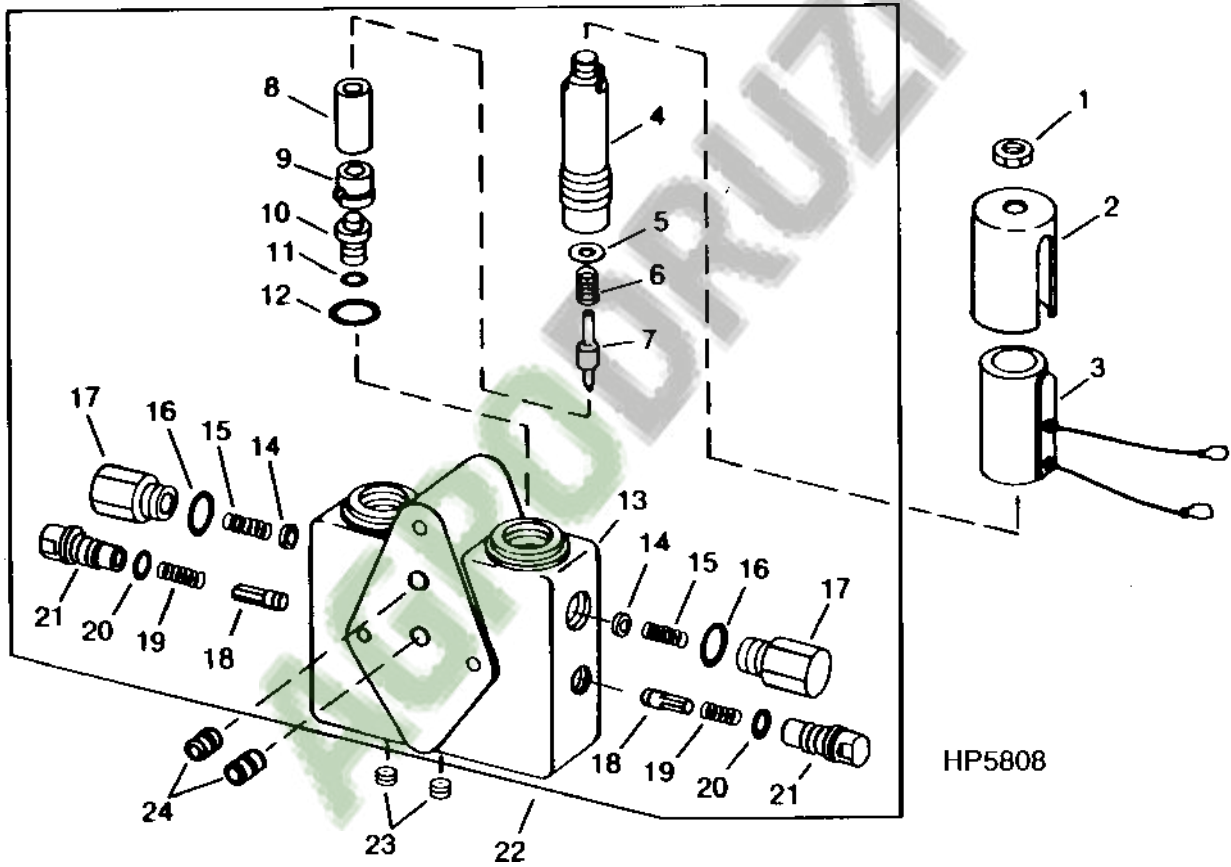


HP5627

6E20

SOLENOID CONTROL VALVE FOR CONTOUR MASTER

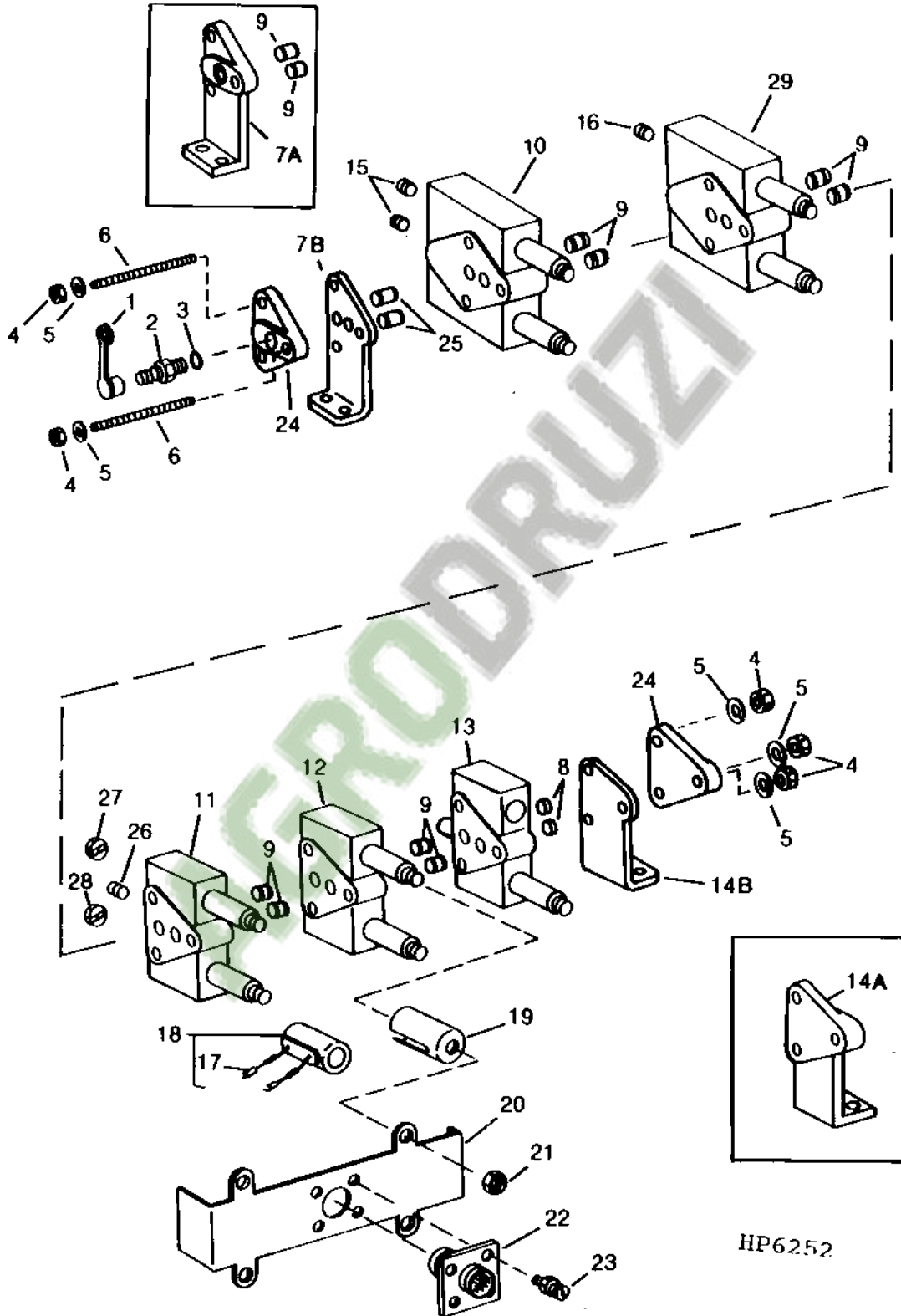
(660201-)
HP5808 -UN-14OCT94



6E22

SOLENOID CONTROL VALVE MODULE ASSEMBLY AND MOUNTINGS

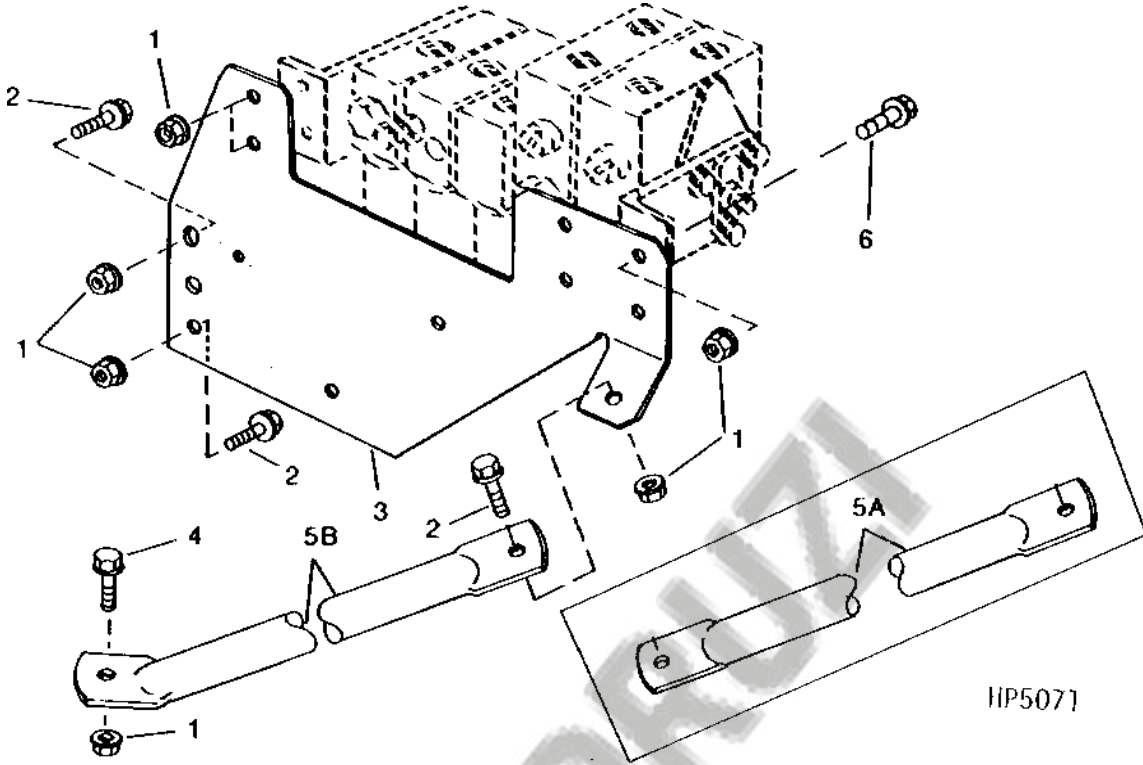
HP6252 -UN-04JAN96



HP6252

6E24

SOLENOID CONTROL VALVE BRACKETS
 HP5071 -UN-01JAN94



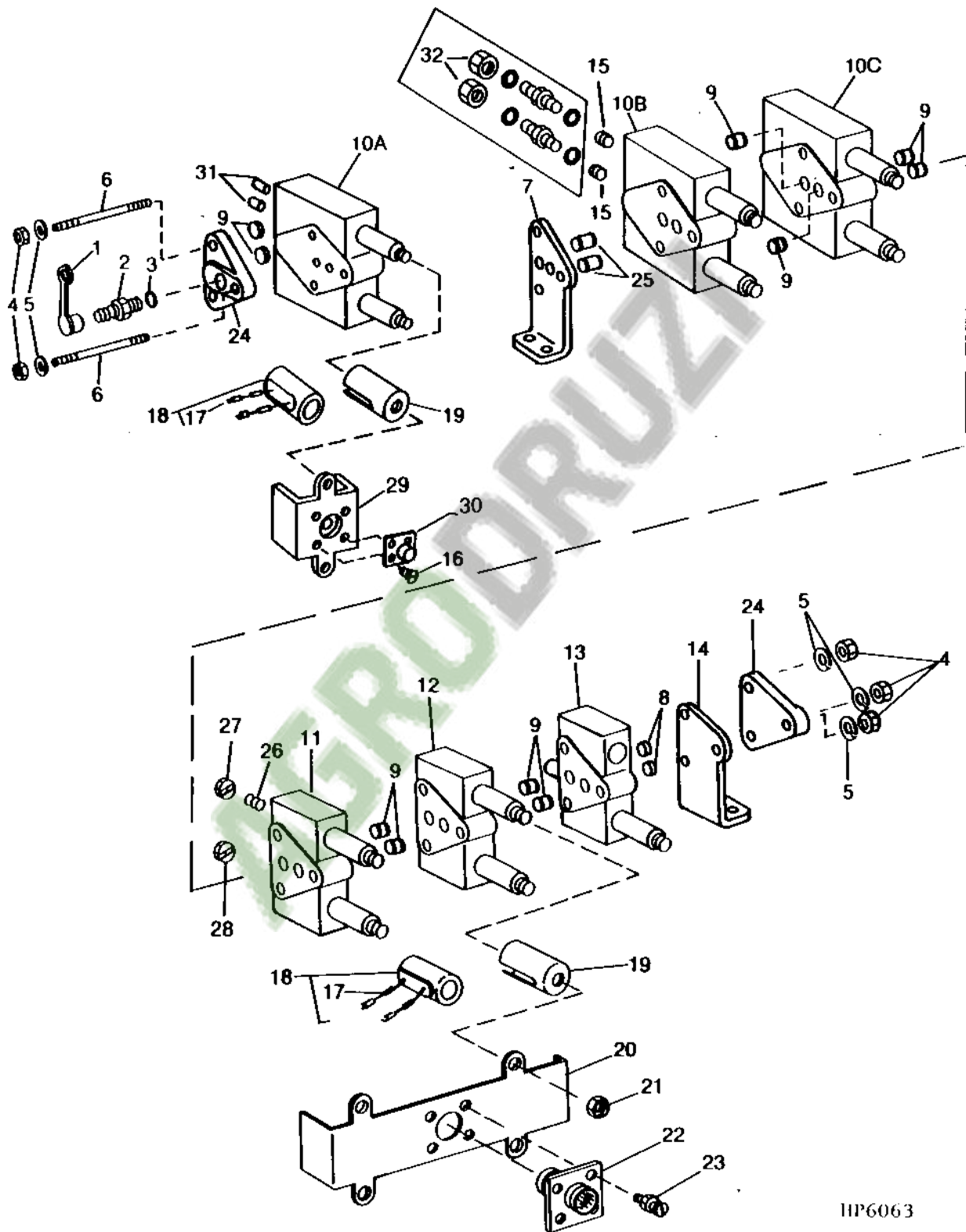
KEY	PART NO.	PART NAME	QTY	SERIAL NO.	REMARKS
				S H 9 5 0 0	

AGRODITA

6F1

SIX STACK SOLENOID CONTROL VALVE MODULE ASSEMBLY AND MOUNTINGS

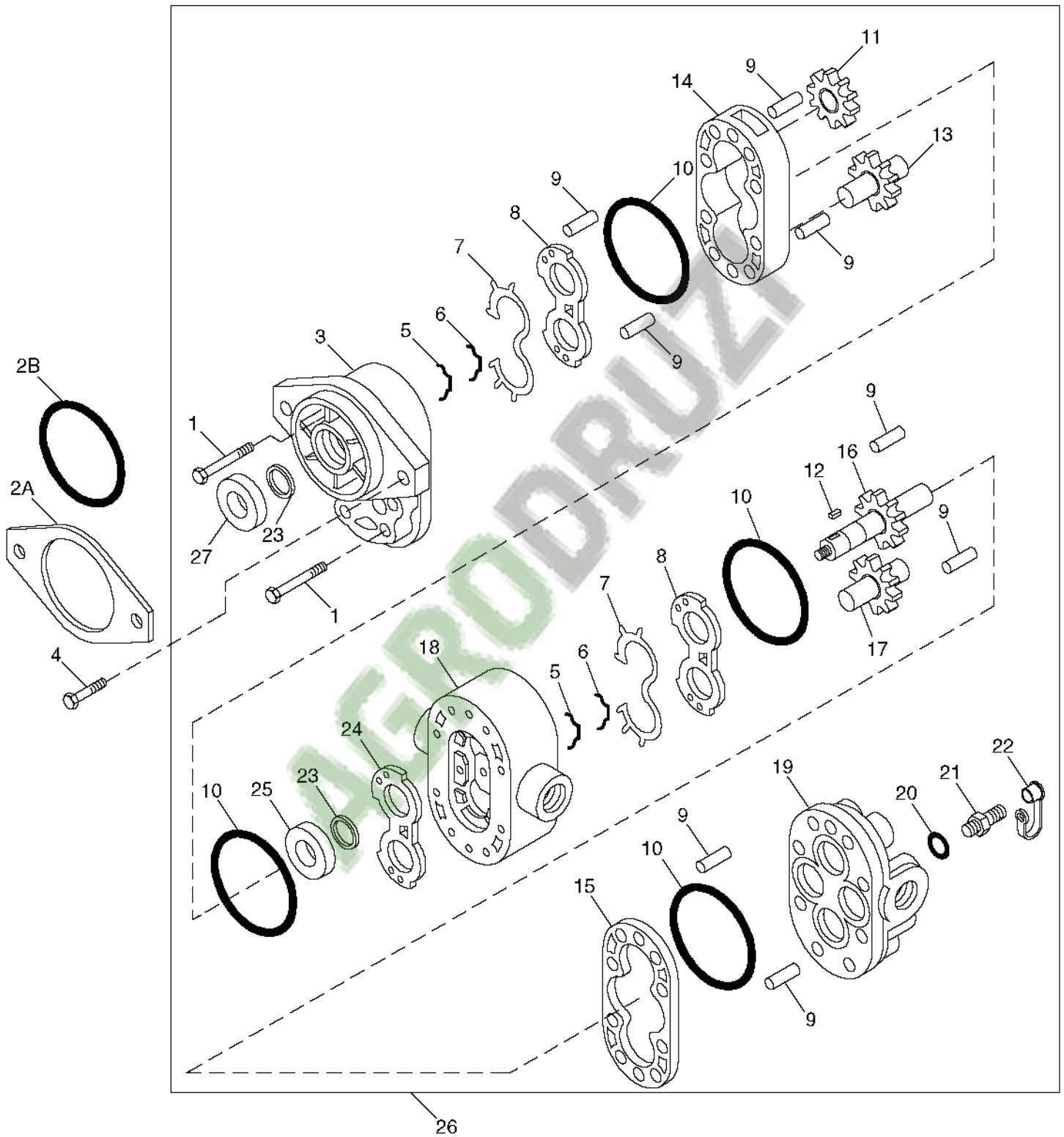
(660201-)
HP6063 -UN-27APR95



HP6063

6F3

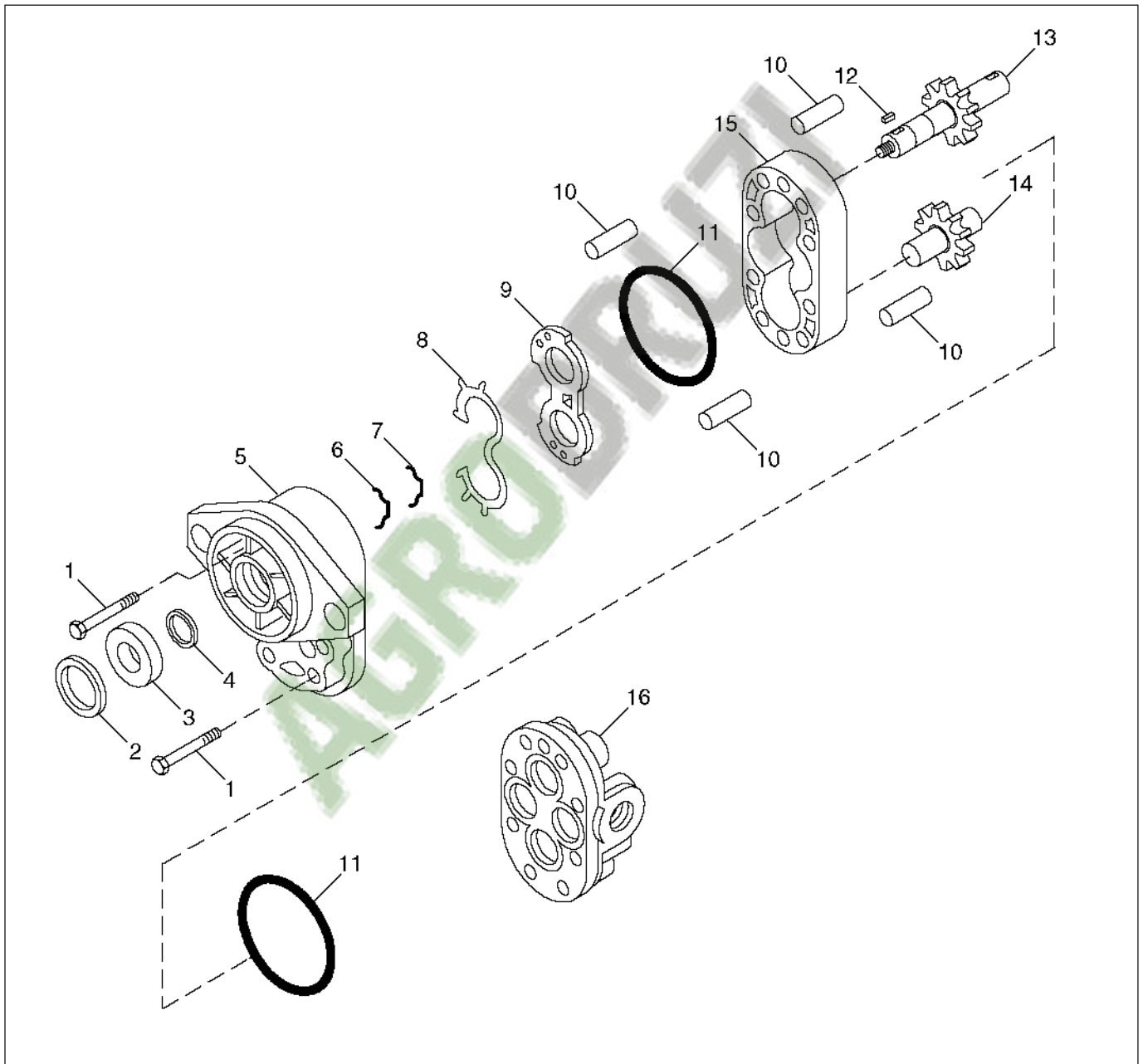
MAIN HYDRAULIC PUMP
HP9204 -UN-25OCT99



HP9204

6F5

REEL / BELT PICKUP DRIVE PUMP
HP8488 -UN-20APR99

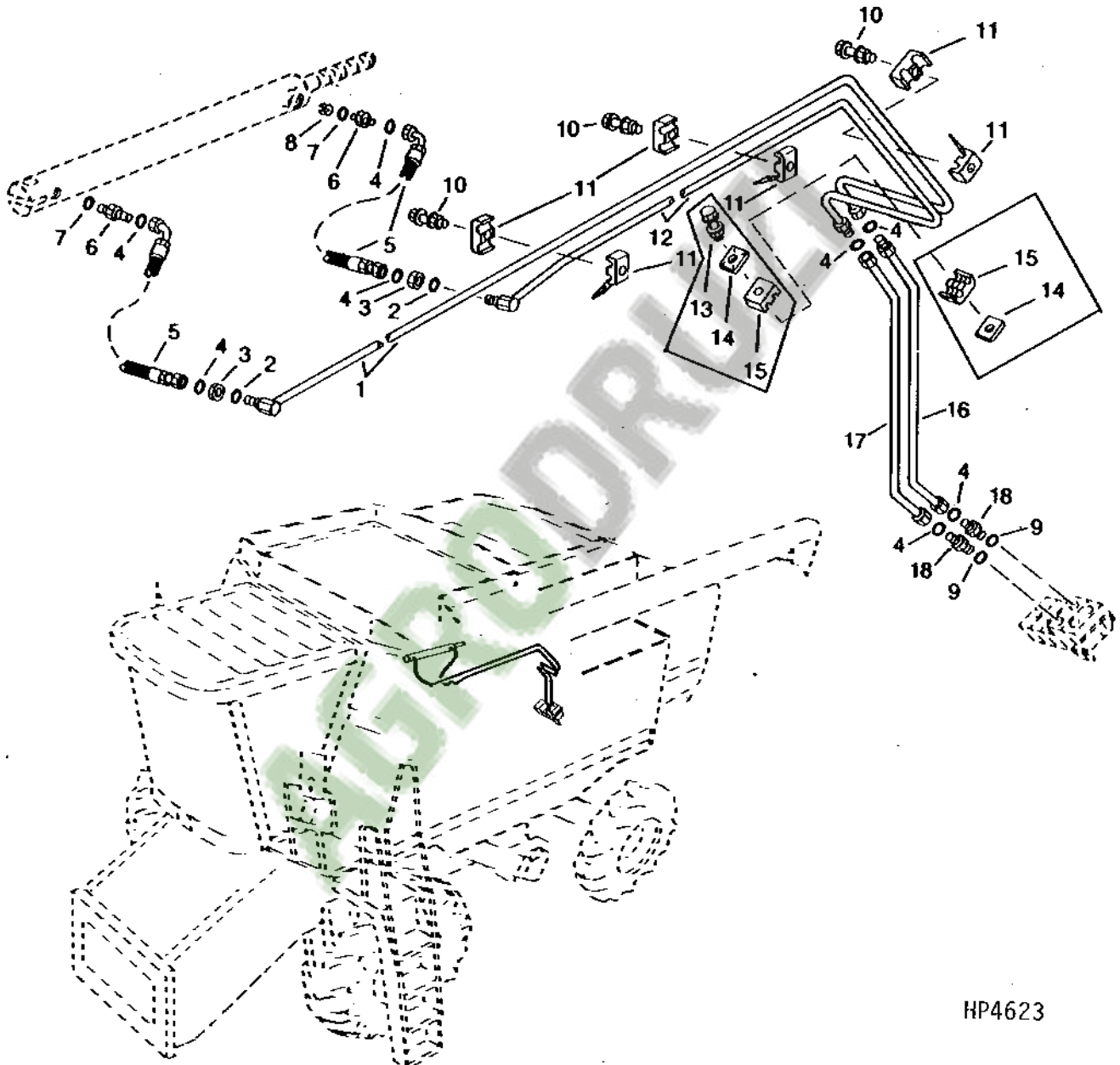


HP8488

6F7

UNLOADING AUGER SWING CYLINDER LINES AND HOSES

HP4623 -UN-01JAN94

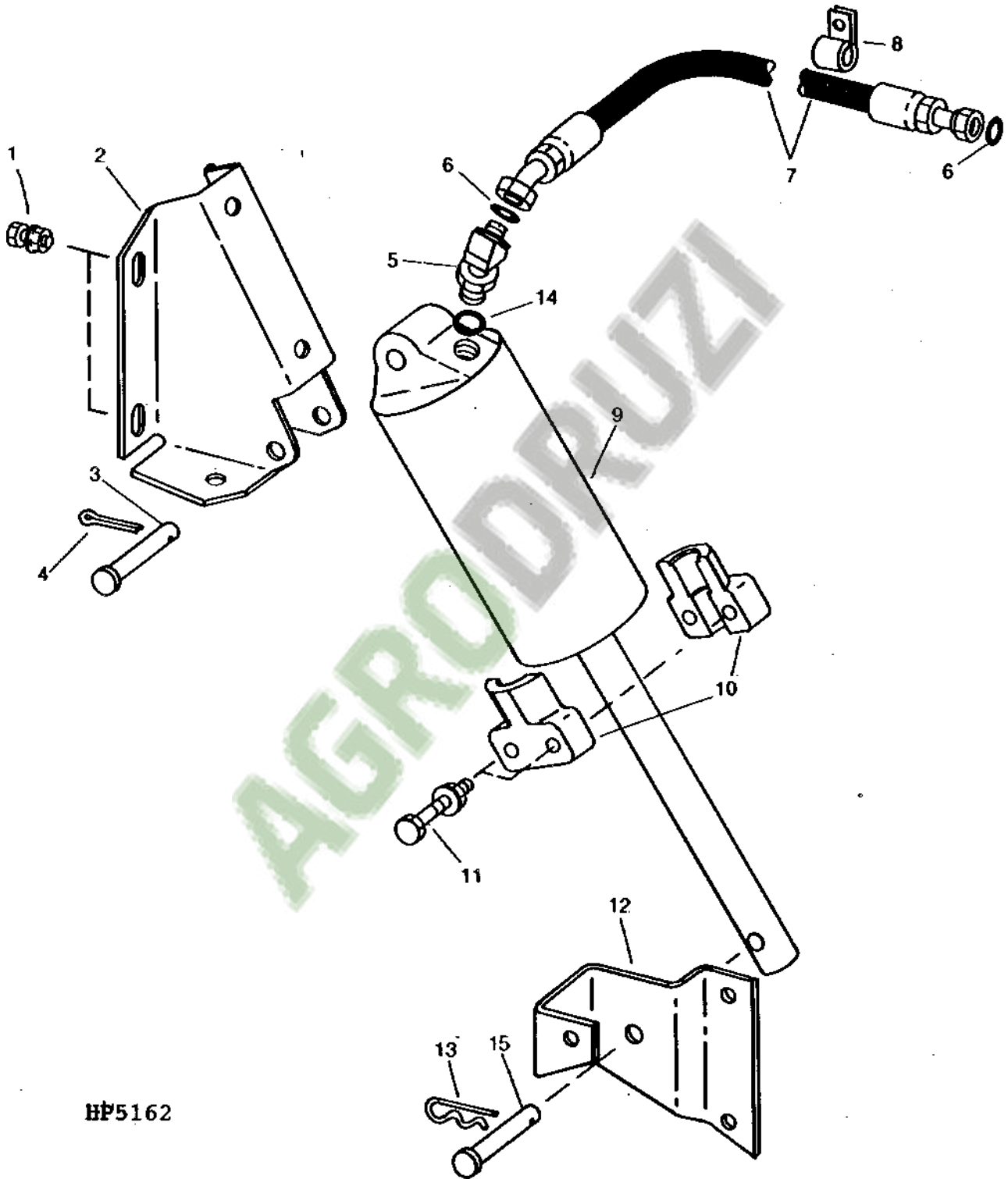


HP4623

6F9

GRAIN TANK UNLOADING DRIVE CYLINDER WITH MOUNTING AND HOSE

HP5162 -UN-01JAN94



HP5162

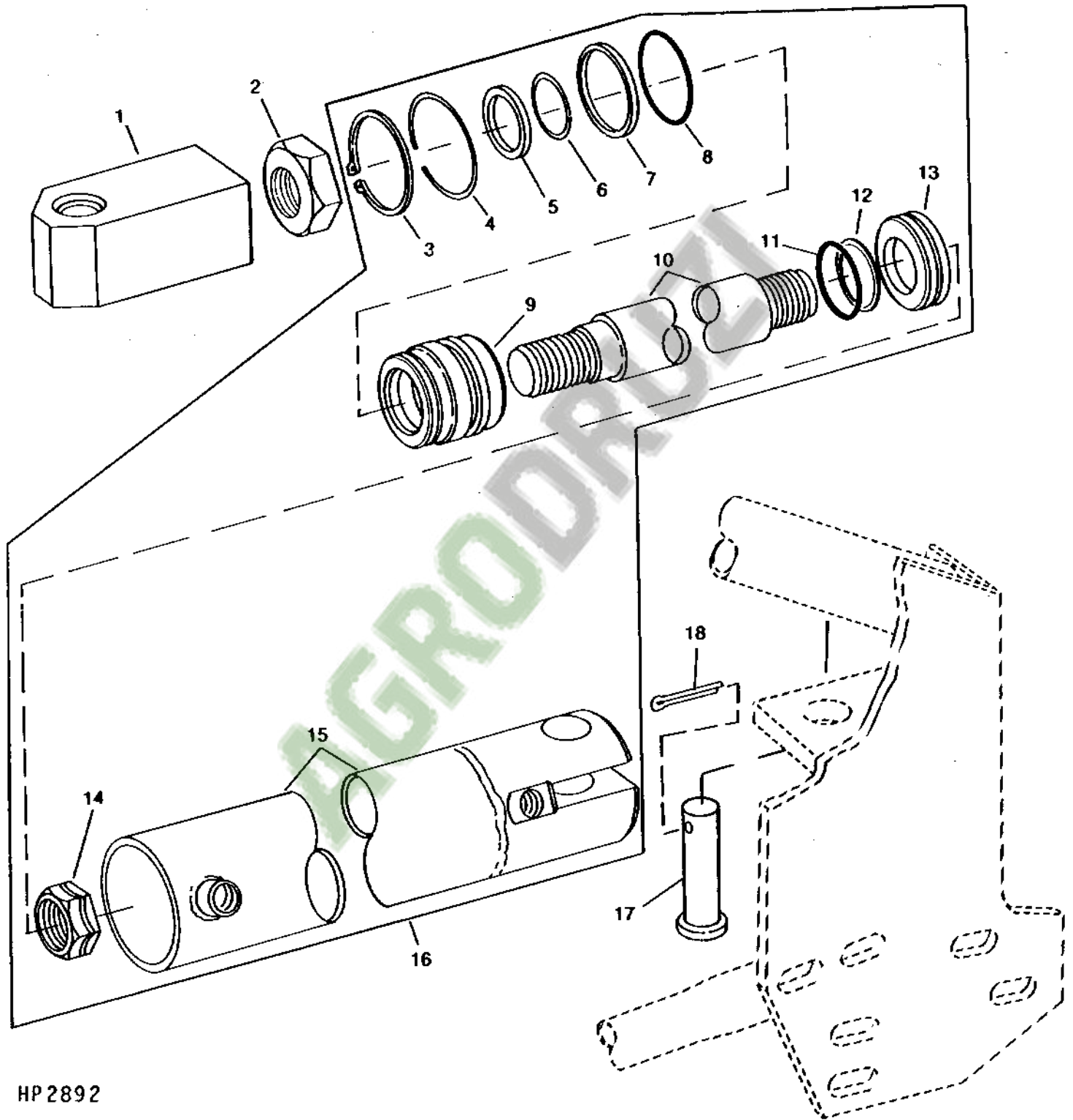
6F11

HYDRAULICS

UNLOADING AUGER SWING CYLINDER AND MOUNTING

(-650200)

HP2892 -UN-01JAN94



HP 2892

388

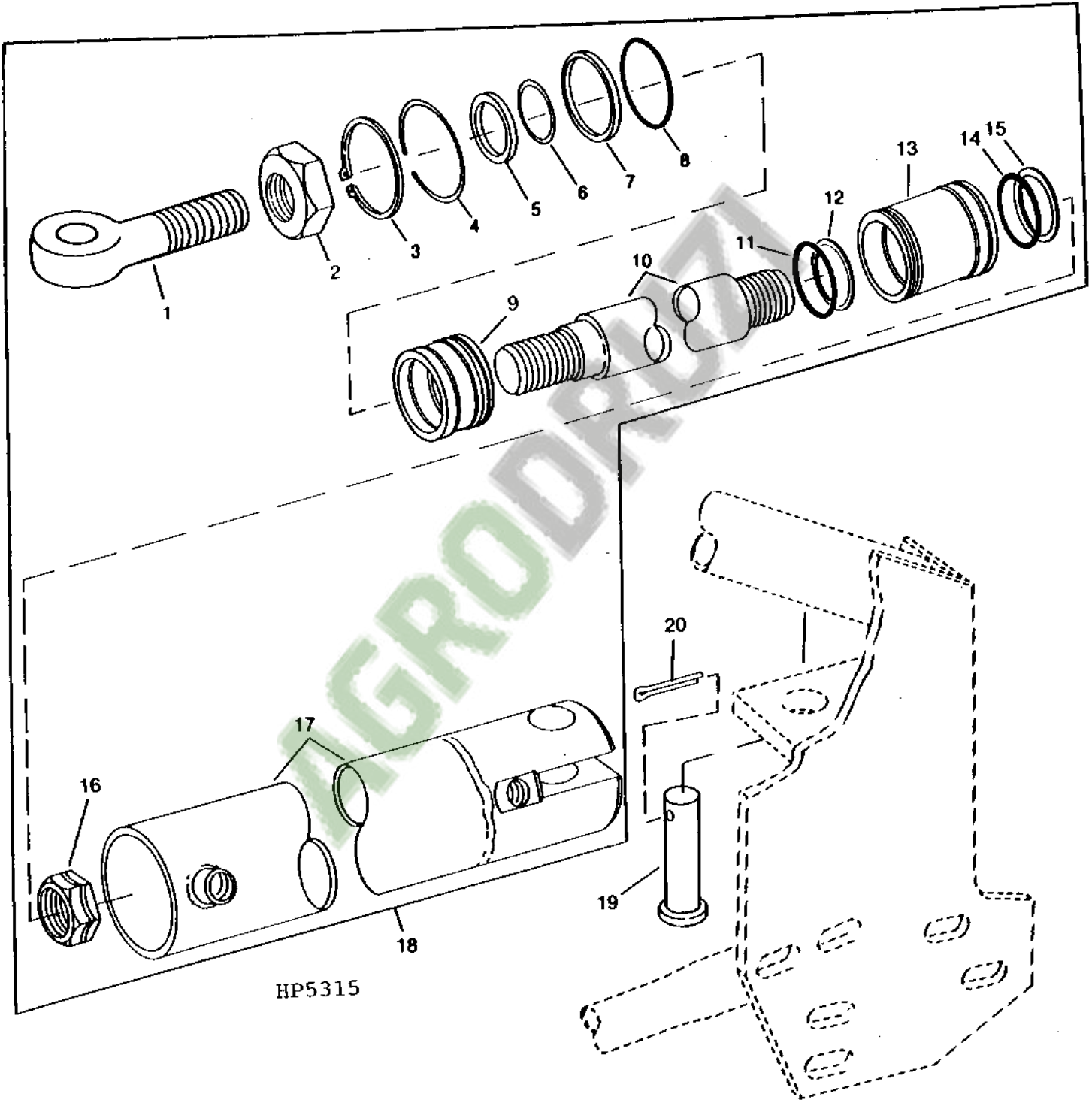
6F13

HYDRAULICS

UNLOADING AUGER SWING CYLINDER AND MOUNTING

(650201-656568)

HP5315 -UN-01JAN94

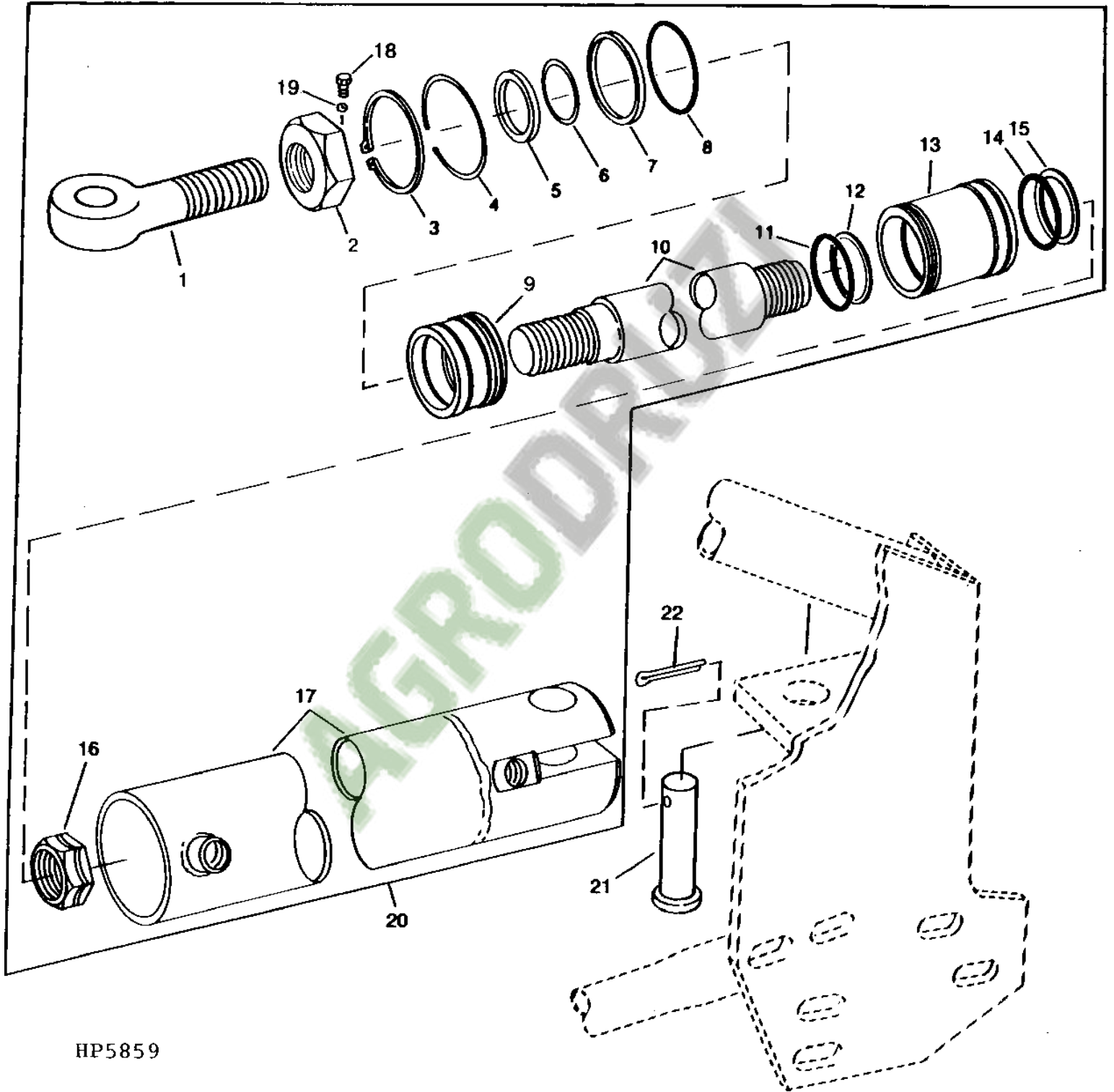


6F15

HYDRAULICS

UNLOADING AUGER SWING CYLINDER AND MOUNTING

(656569-)
HP5859 -UN-14OCT94

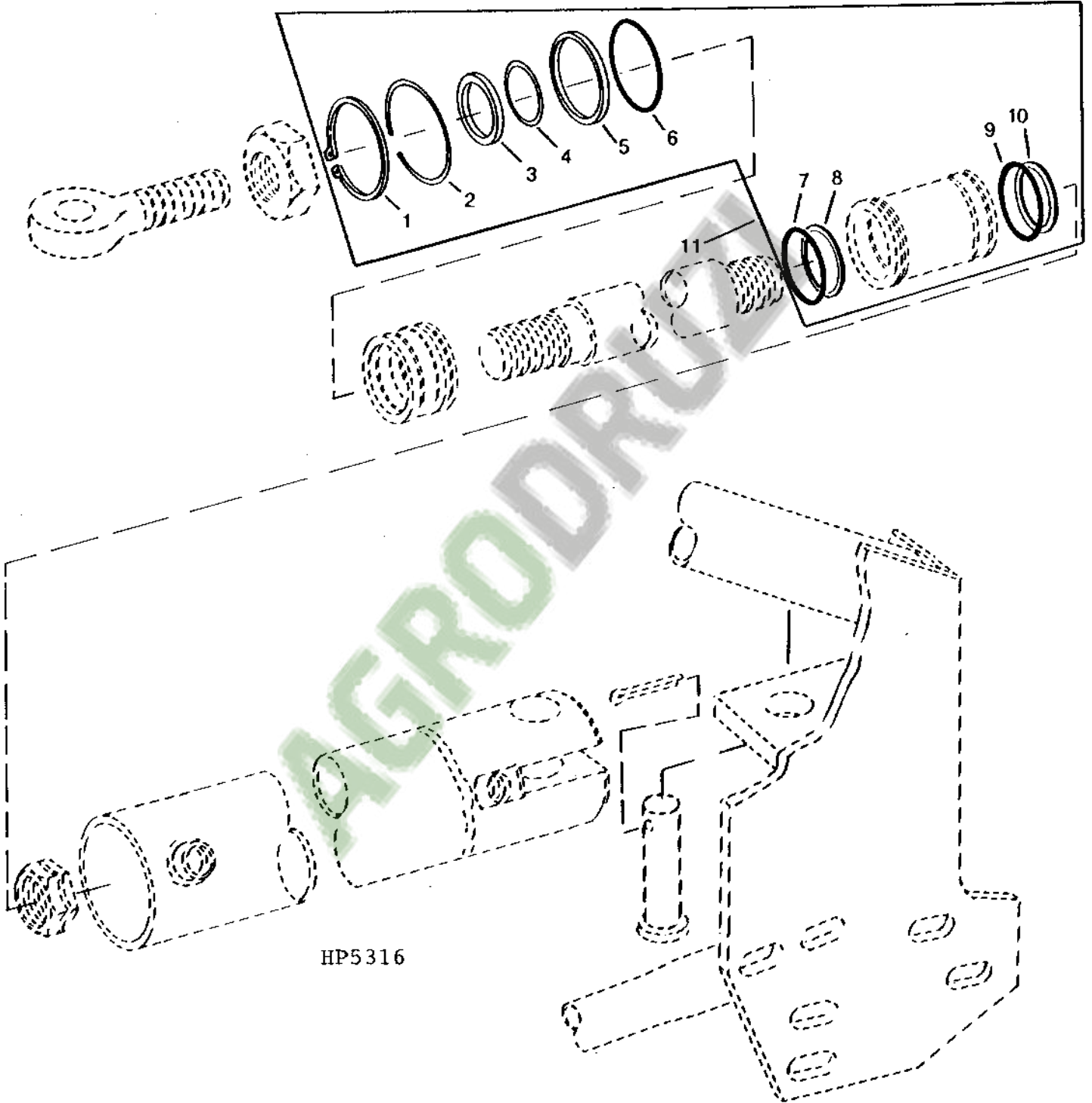


HP5859

390

6F17

UNLOADING AUGER SWING CYLINDER KIT
HP5316 -UN-01JAN94

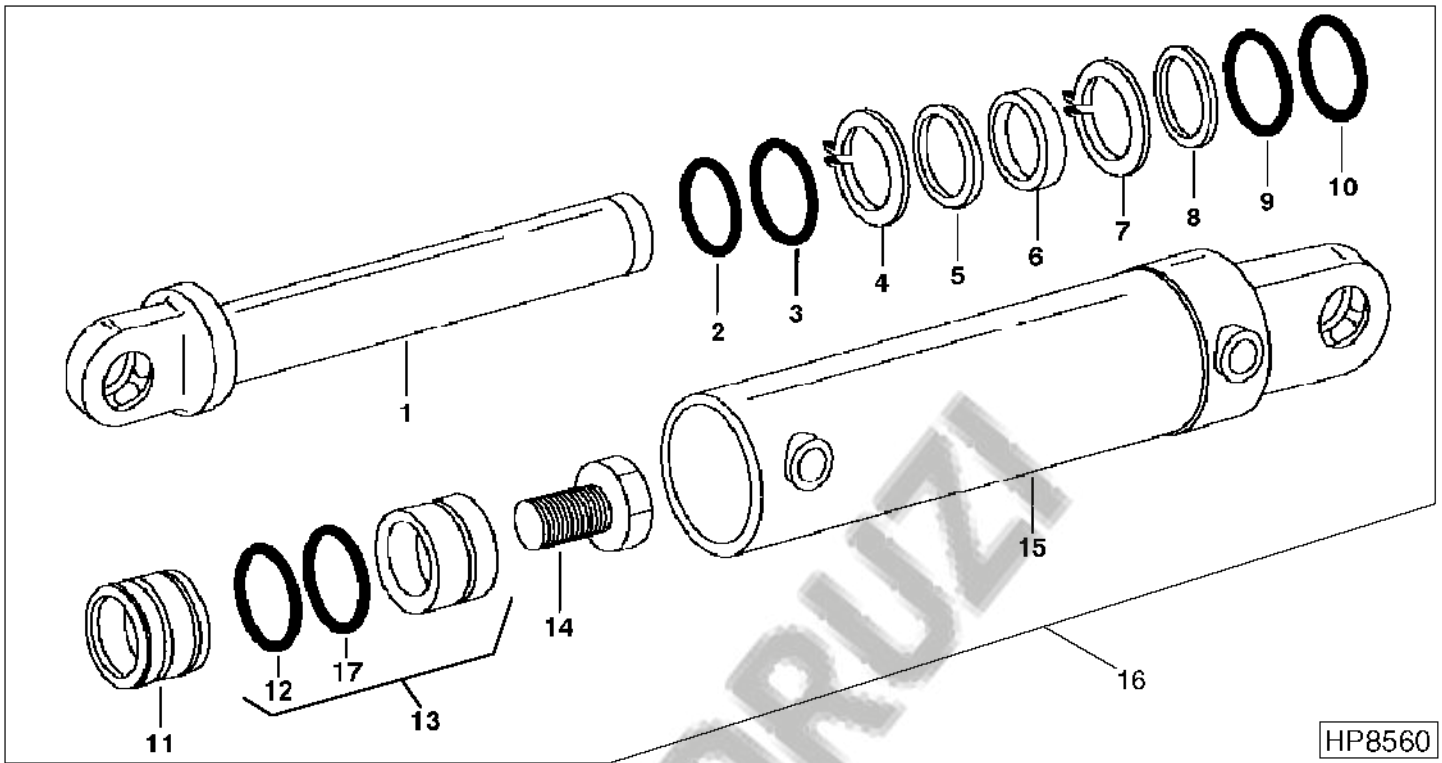


HP5316

6F19

HYDRAULICS

TILT CYLINDER - CONTOUR MASTER
HP8560 -UN-07MAY99



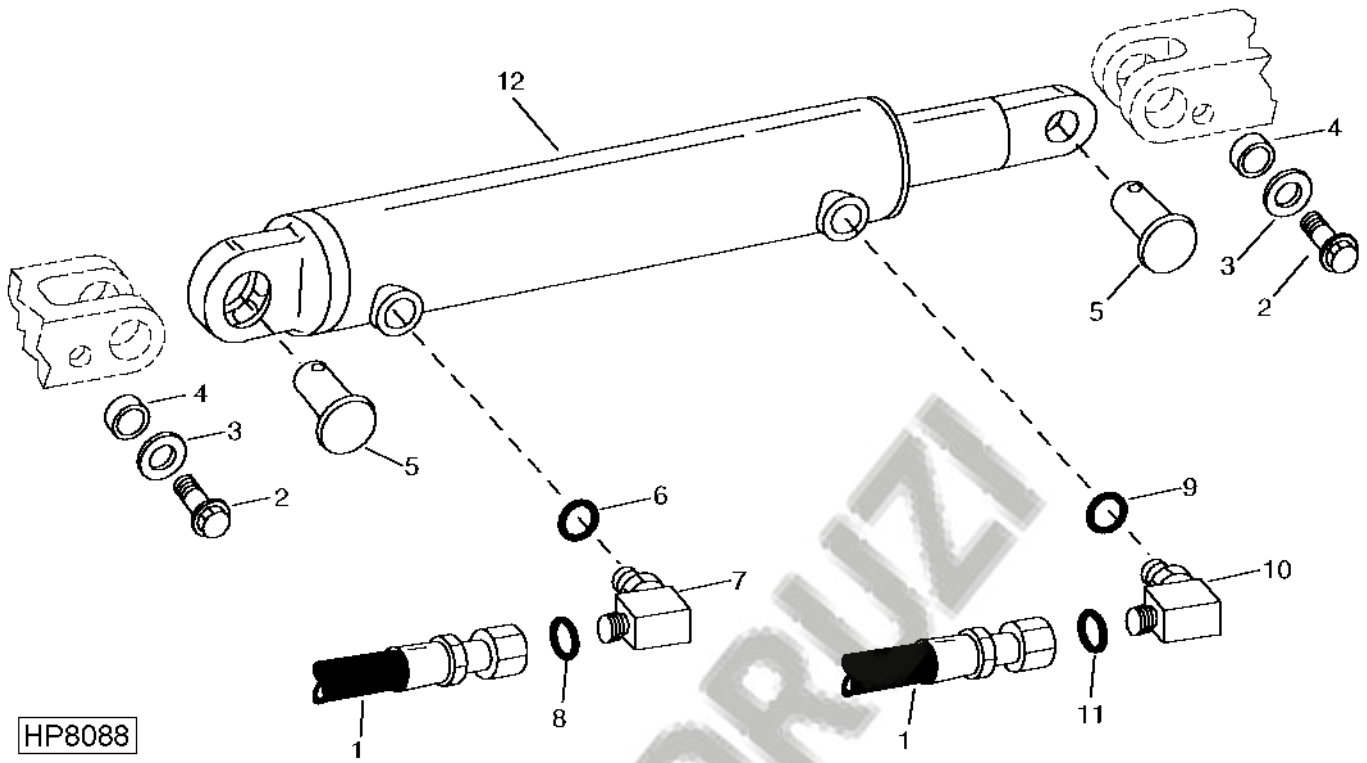
HP8560

KEY	PART NO.	PART NAME	QTY	SERIAL NO.	REMARKS
				S	
				H	
				9	
				5	
				0	
				0	

6F20

HYDRAULICS

TILT CYLINDER HOSES AND FITTINGS - CONTOUR MASTER
 HP8088 -UN-15DEC98



KEY	PART NO.	PART NAME	QTY	SERIAL NO.	REMARKS
-----	----------	-----------	-----	------------	---------

S
 H
 9 9
 5 5
 0 0
 0 0

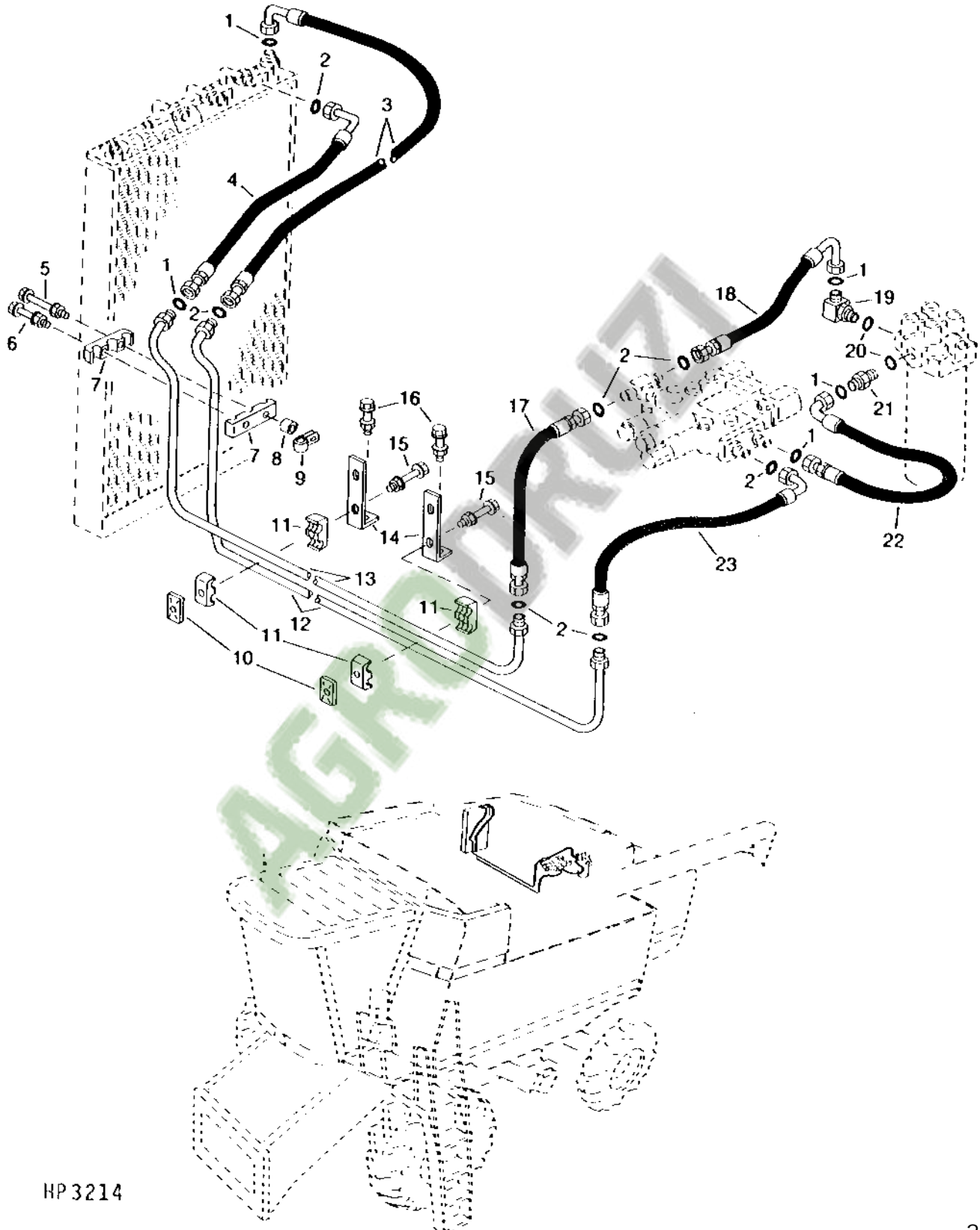
AGRODRIZ

6F21

WET CLUTCH OIL COOLER LINES AND HOSES

(-640200)

HP3214 -UN-01JAN94



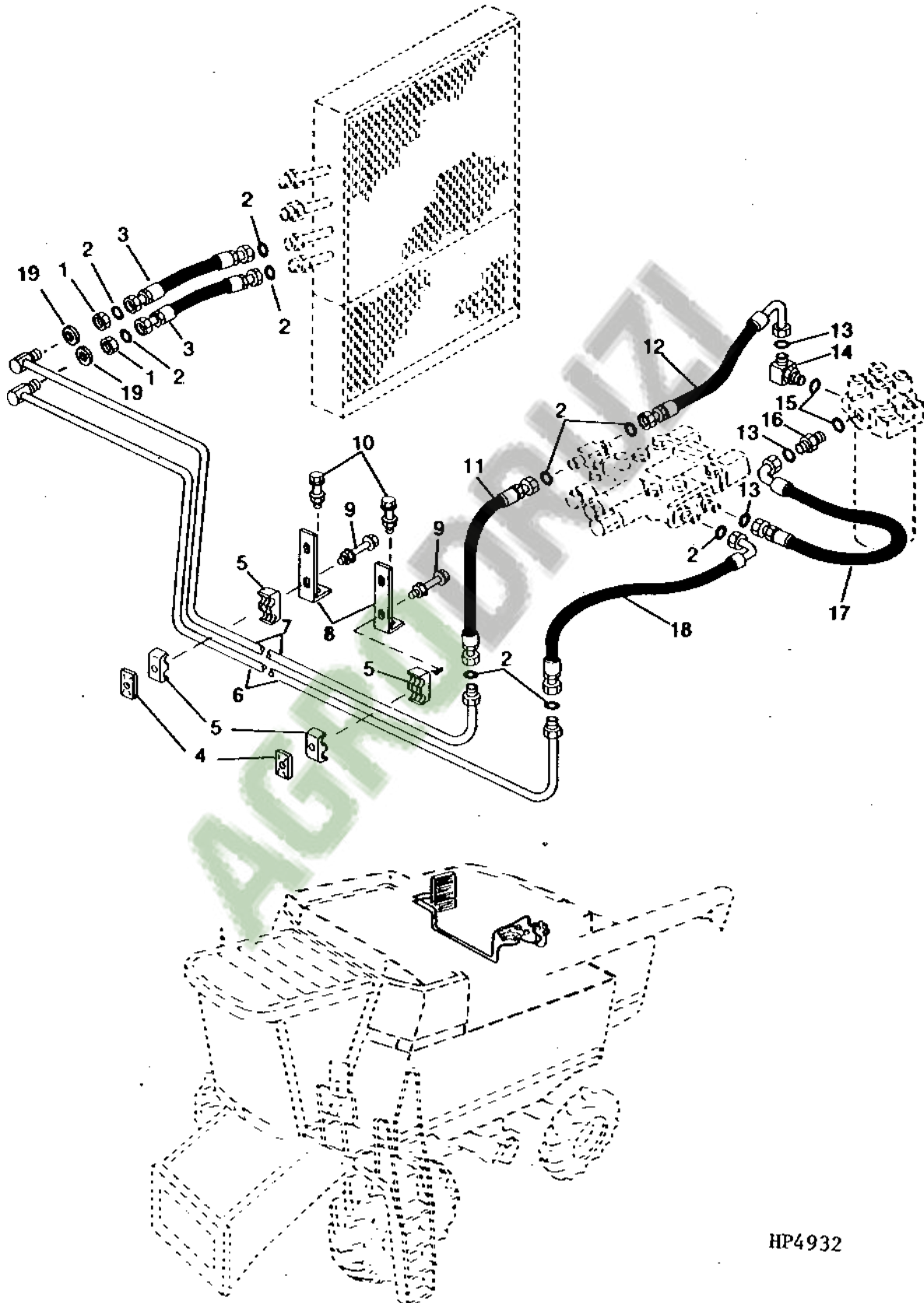
HP 3214

6F23

WET CLUTCH OIL COOLER LINES AND HOSES

(640201-665201)

HP4932 -UN-01JAN94

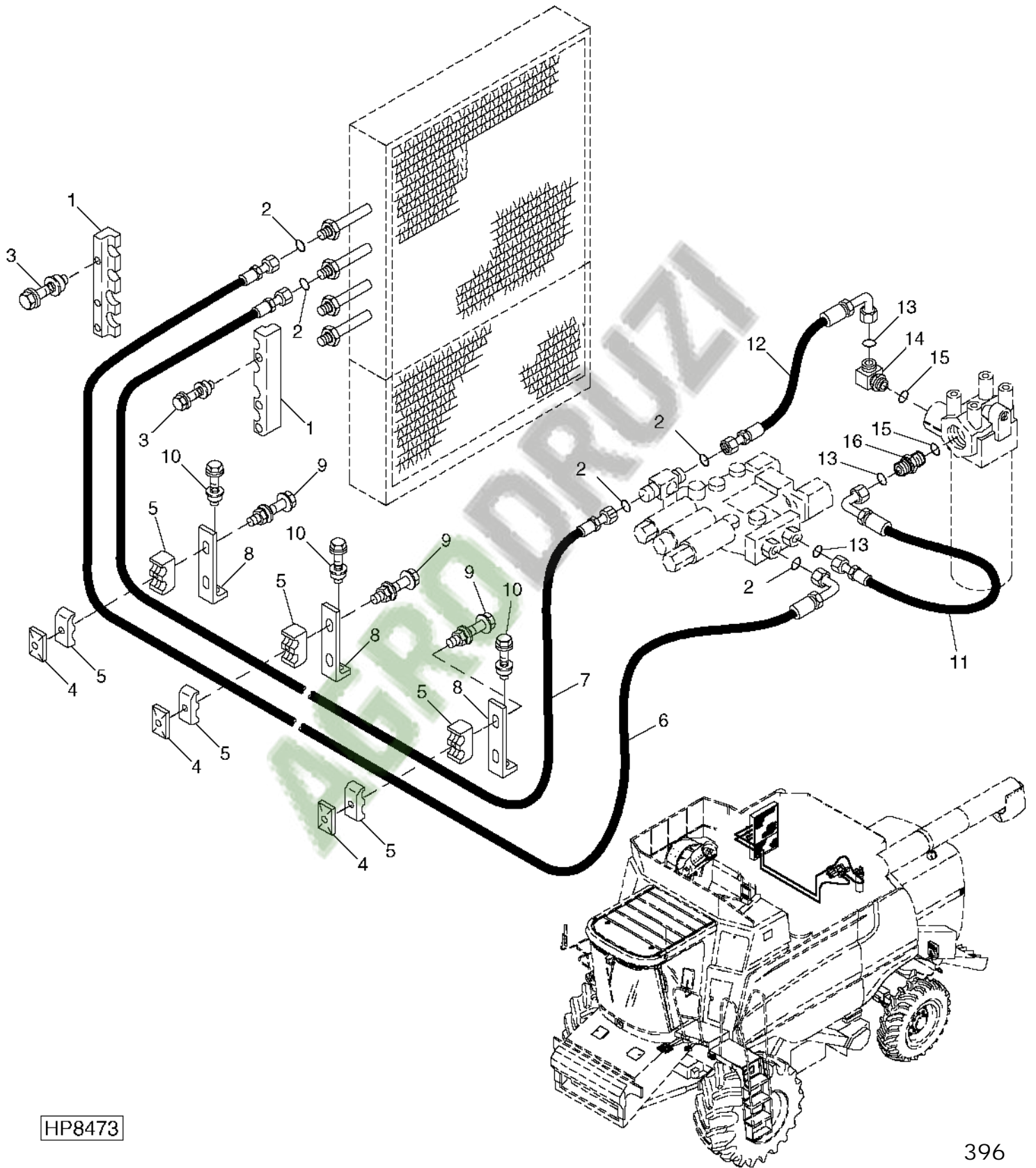


HP4932

395

WET CLUTCH OIL COOLER LINES AND HOSES

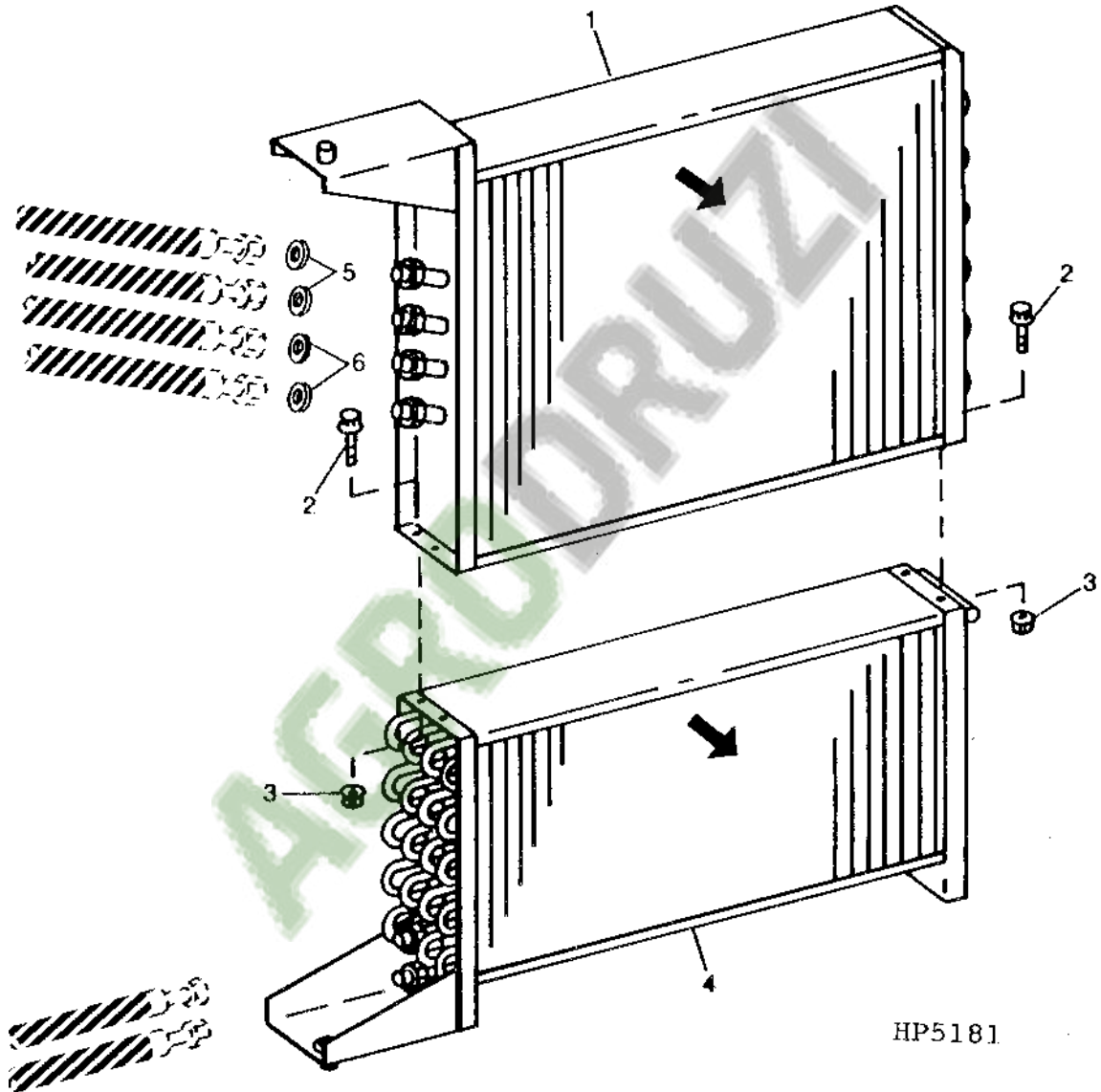
(665201-)
HP8473 -UN-21APR99



HP8473

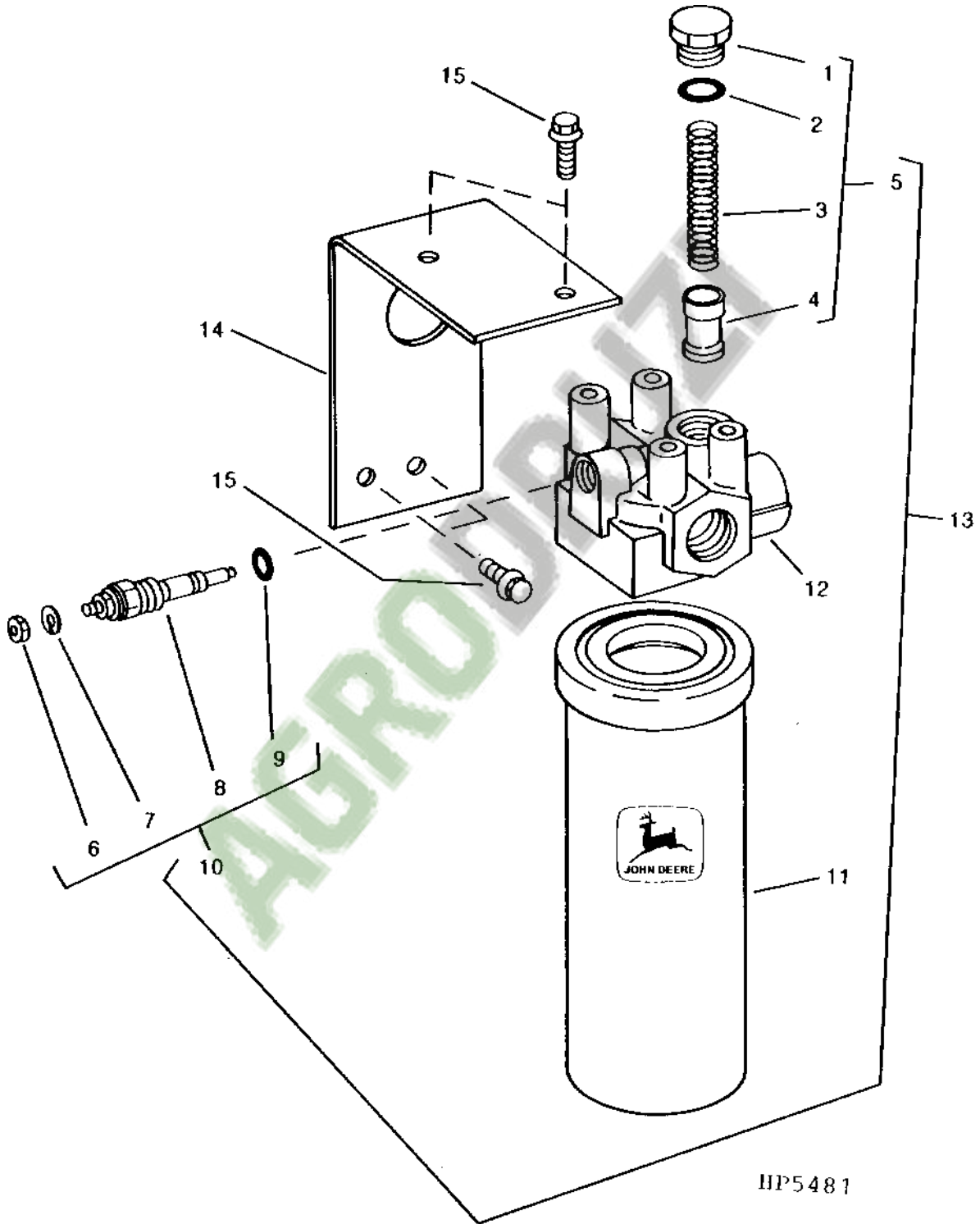
6G3

OIL COOLER AND A/C CONDENSER
HP5181 -UN-01JAN94



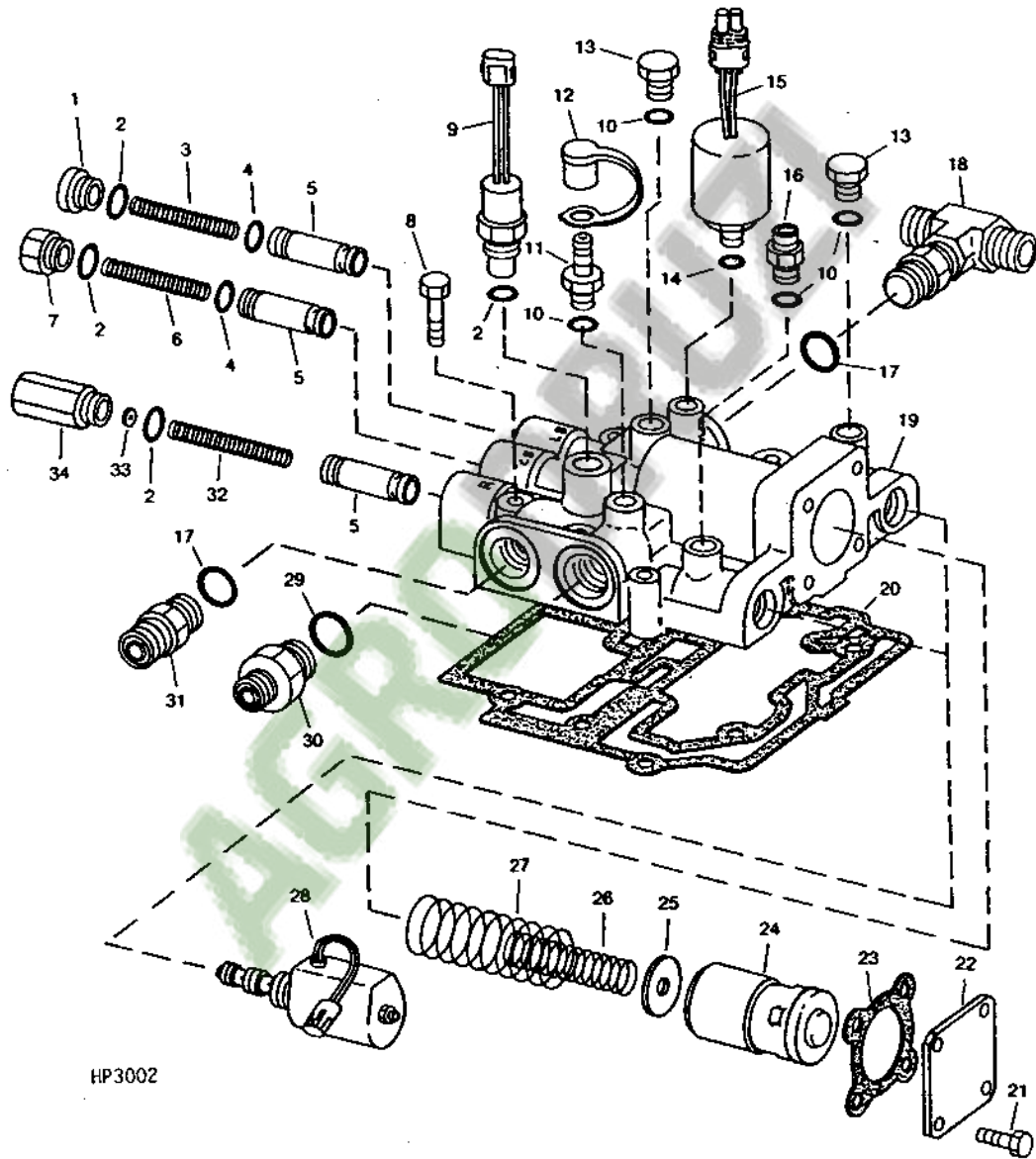
HP5181

ENGINE GEARCASE OIL FILTER ASSEMBLY
HP5481 -UN-01JAN94



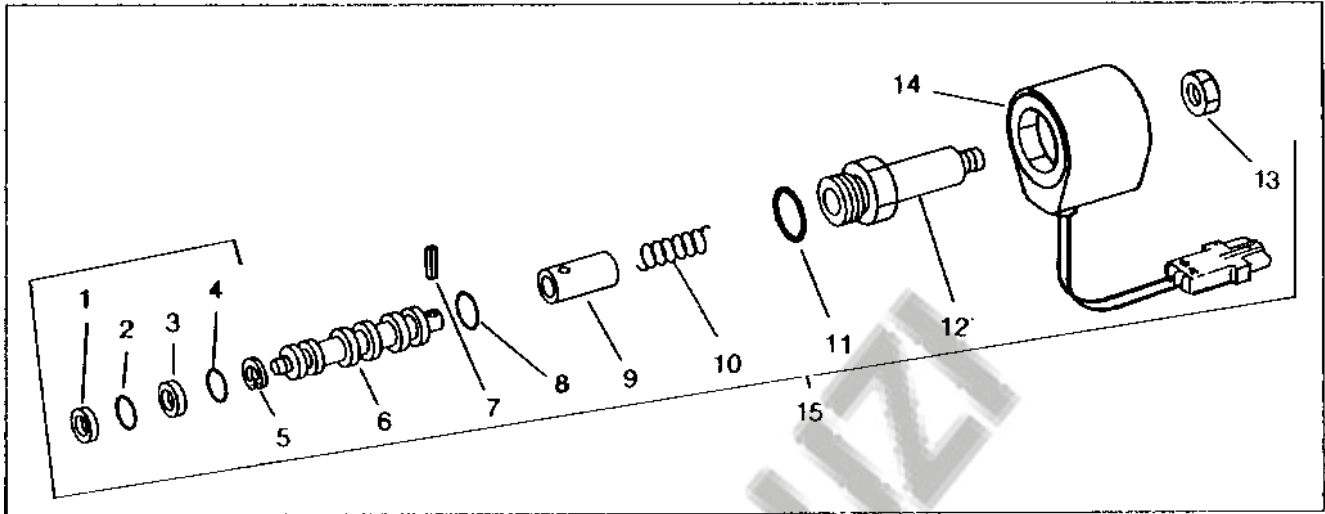
HP5481

ENGINE GEARCASE PRESSURE REGULATOR HP3002 -UN-10OCT88



HP3002

SOLENOID CONTROL VALVE FOR ENGINE GEARCASE PRESSURE REGULATOR
 HP2880 -UN-01JAN94



HP2880

16

KEY	PART NO.	PART NAME	QTY	SERIAL NO.	REMARKS
-----	----------	-----------	-----	------------	---------

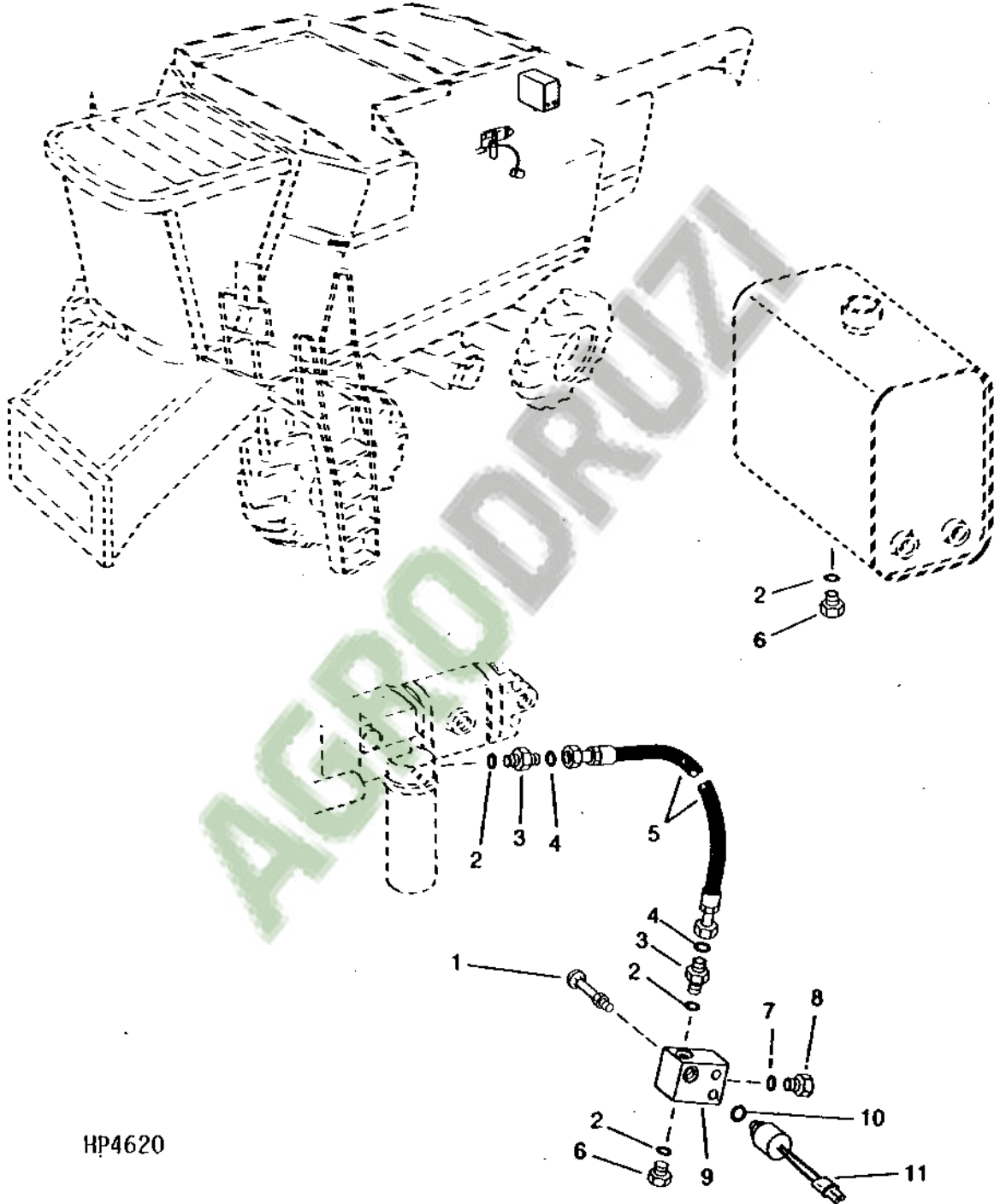
S
H
9 9
5 5
0 0
0 0

AGRODRIZI

6G10

CHARGE PRESSURE HOSE

(640201-)
HP4620 -UN-01JAN94

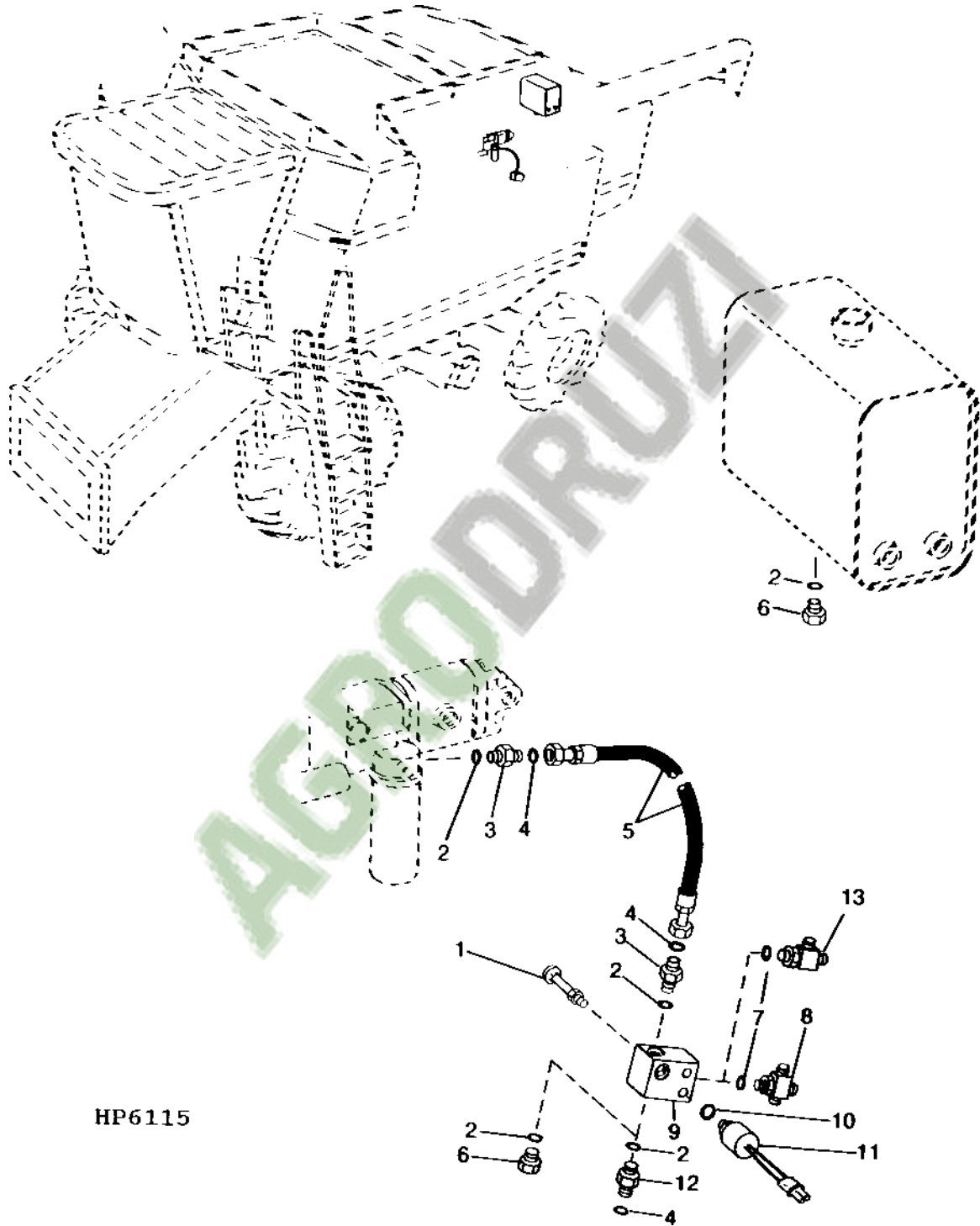


HP4620

6G12

CHARGE PRESSURE HOSE (SIDEHILL)

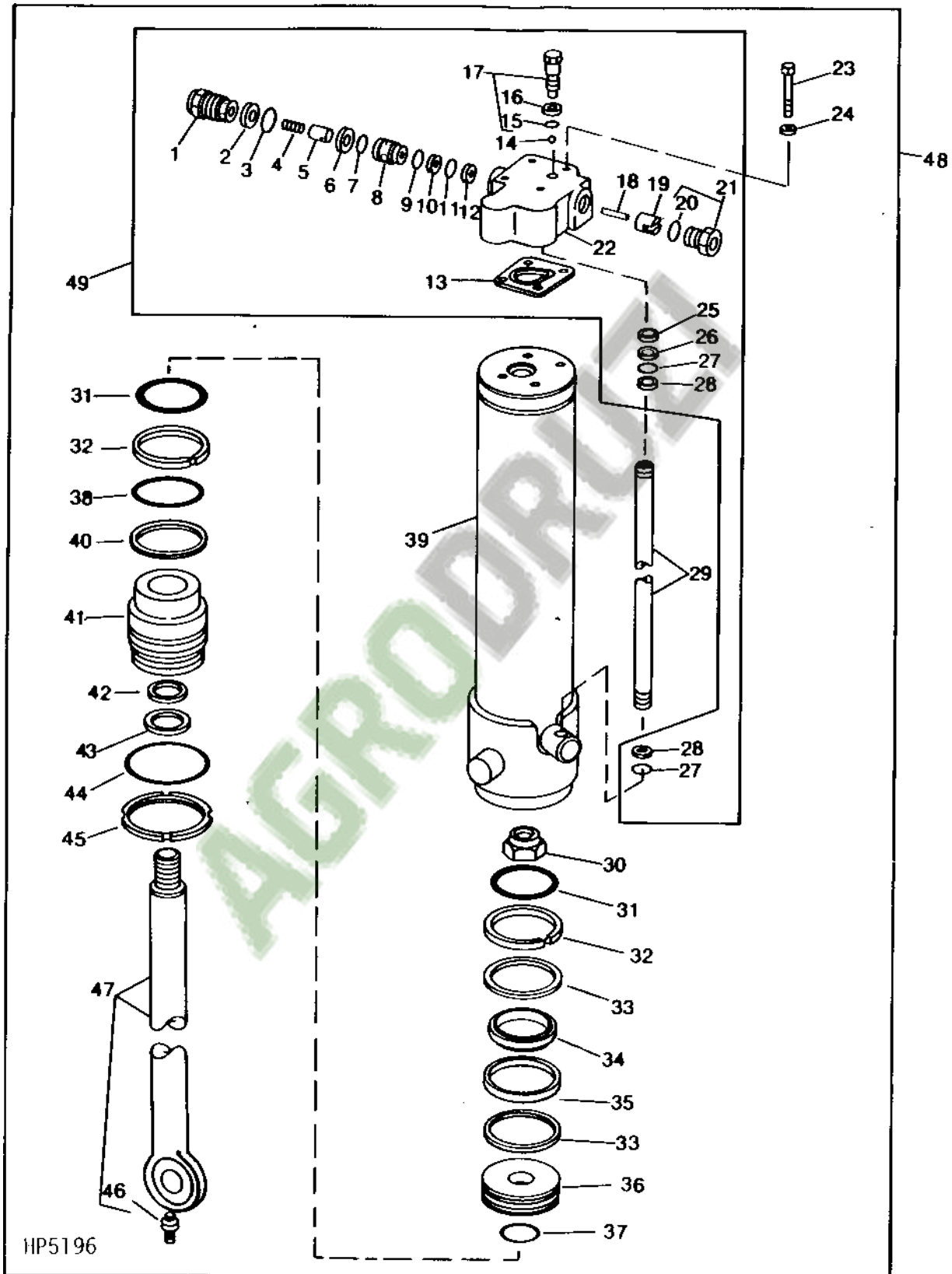
HP6115 -UN-29JUN95



HP6115

6G14

LEVELING CYLINDER (SIDEHILL)
HP5196 -UN-01JAN94



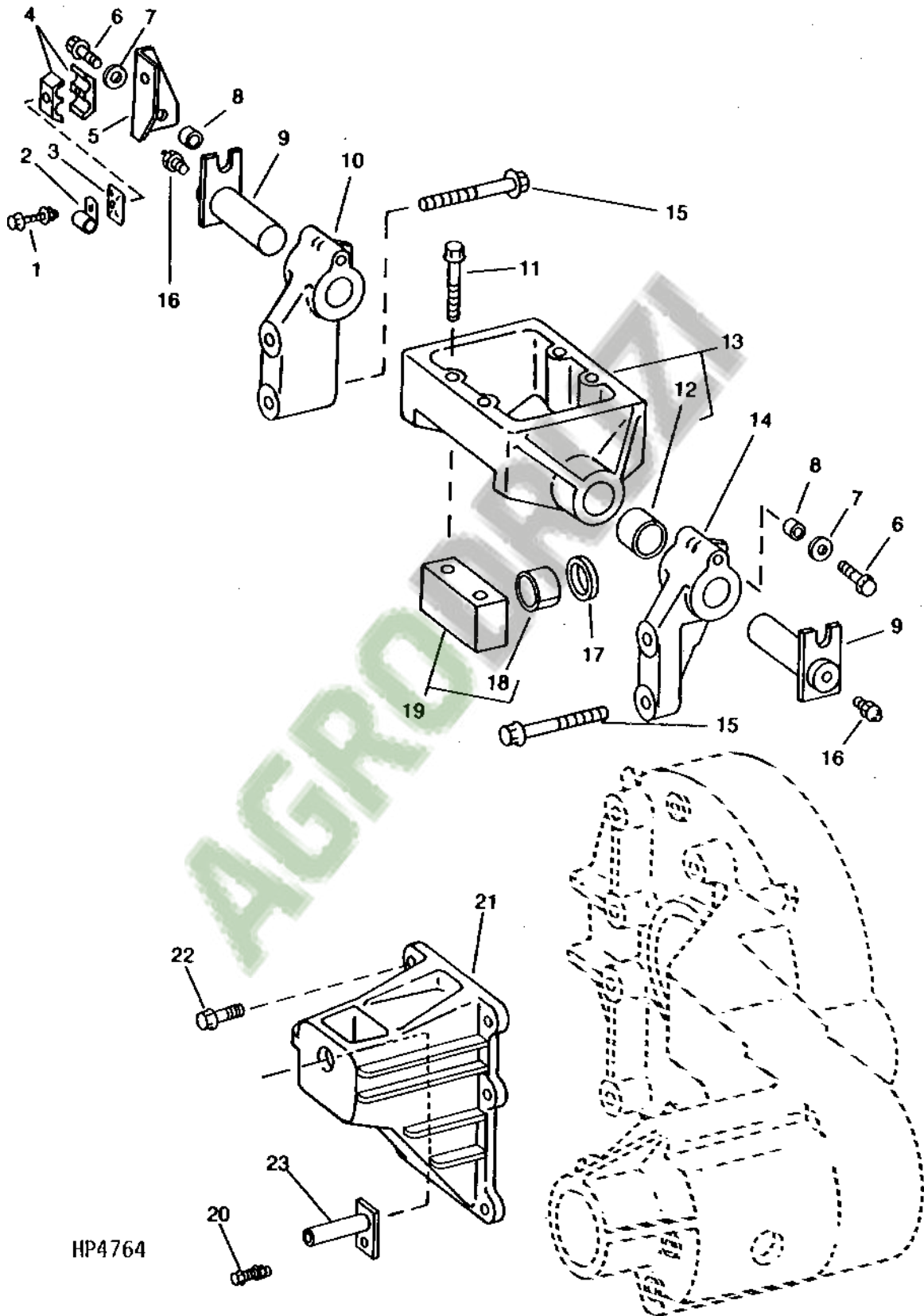
HP5196

6G16

LEVELING CYLINDER MOUNTING BRACKETS AND PINS (SIDEHILL)

(LEFT SIDE ILLUSTRATED)

HP4764 -UN-01JAN94

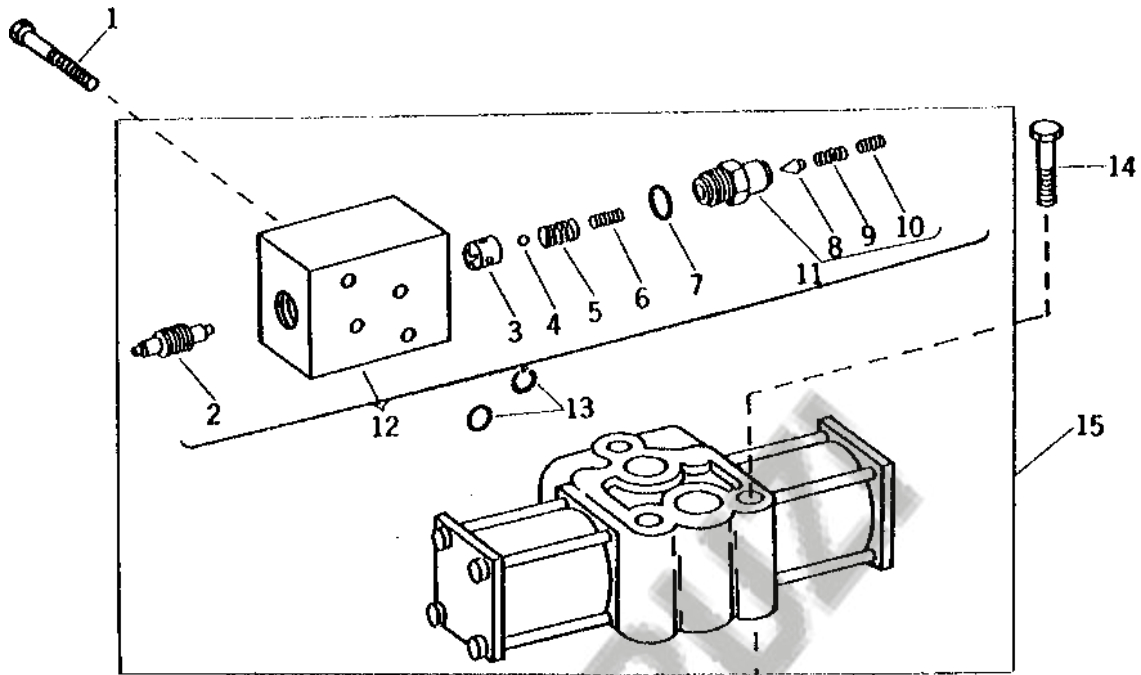


HP4764

6G18

HYDRAULICS

LEVELING VALVE (SIDEHILL)
H32238F -UN-01JAN94



H32238F

16

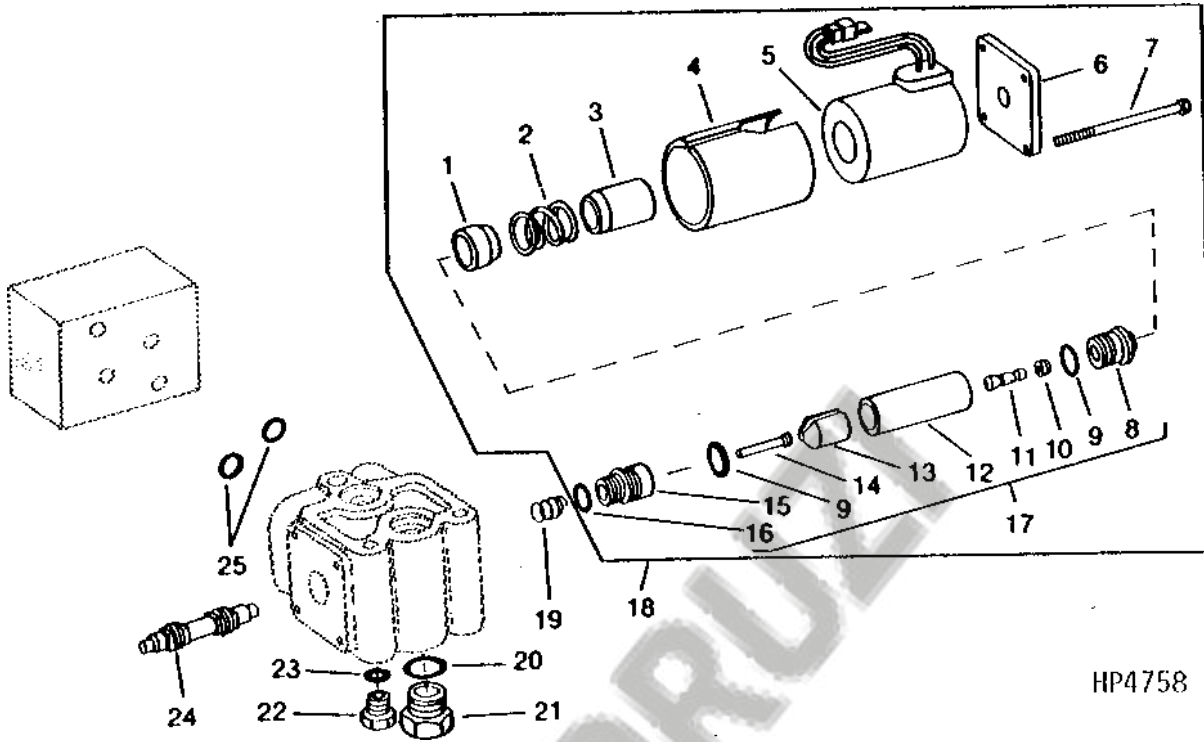
KEY	PART NO.	PART NAME	QTY	SERIAL NO.	REMARKS
				S H 9 9 5 5 0 0 0 0	

AGRODRIVE

6G19

HYDRAULICS

MAIN VALVE BLOCK SOLENOID (SIDEHILL)
HP4758 -UN-01JAN94



HP4758

KEY	PART NO.	PART NAME	QTY	SERIAL NO.	REMARKS
				S	
				H	
				9 9	
				5 5	
				0 0	
				0 0	

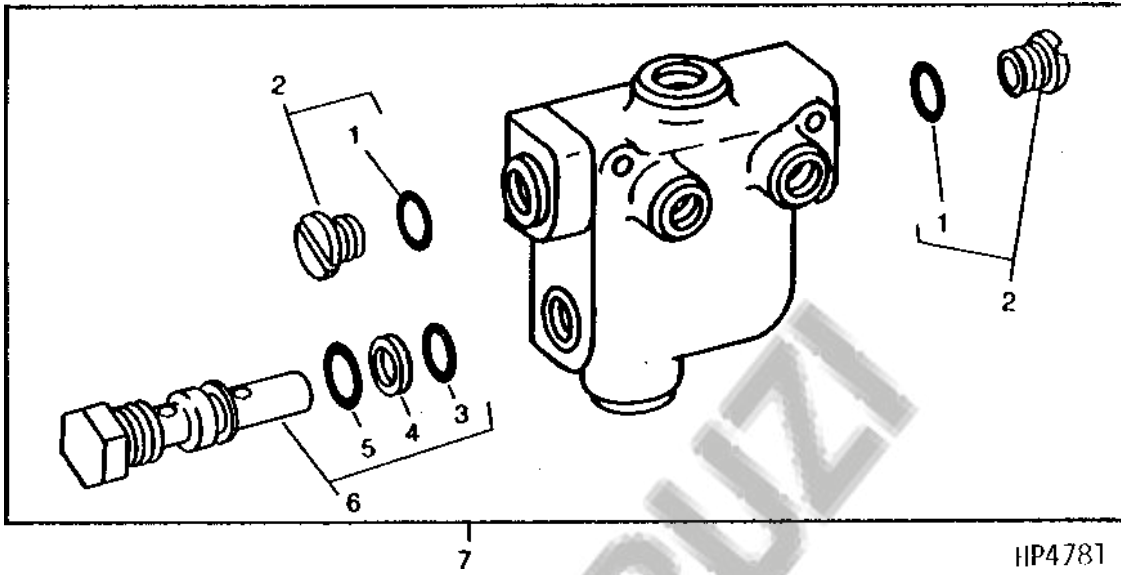
AGRODRUM

6G20

HYDRAULICS

FLOW DIVIDER VALVE AND MOUNTING (SIDEHILL)

HP4781 -UN-01JAN94



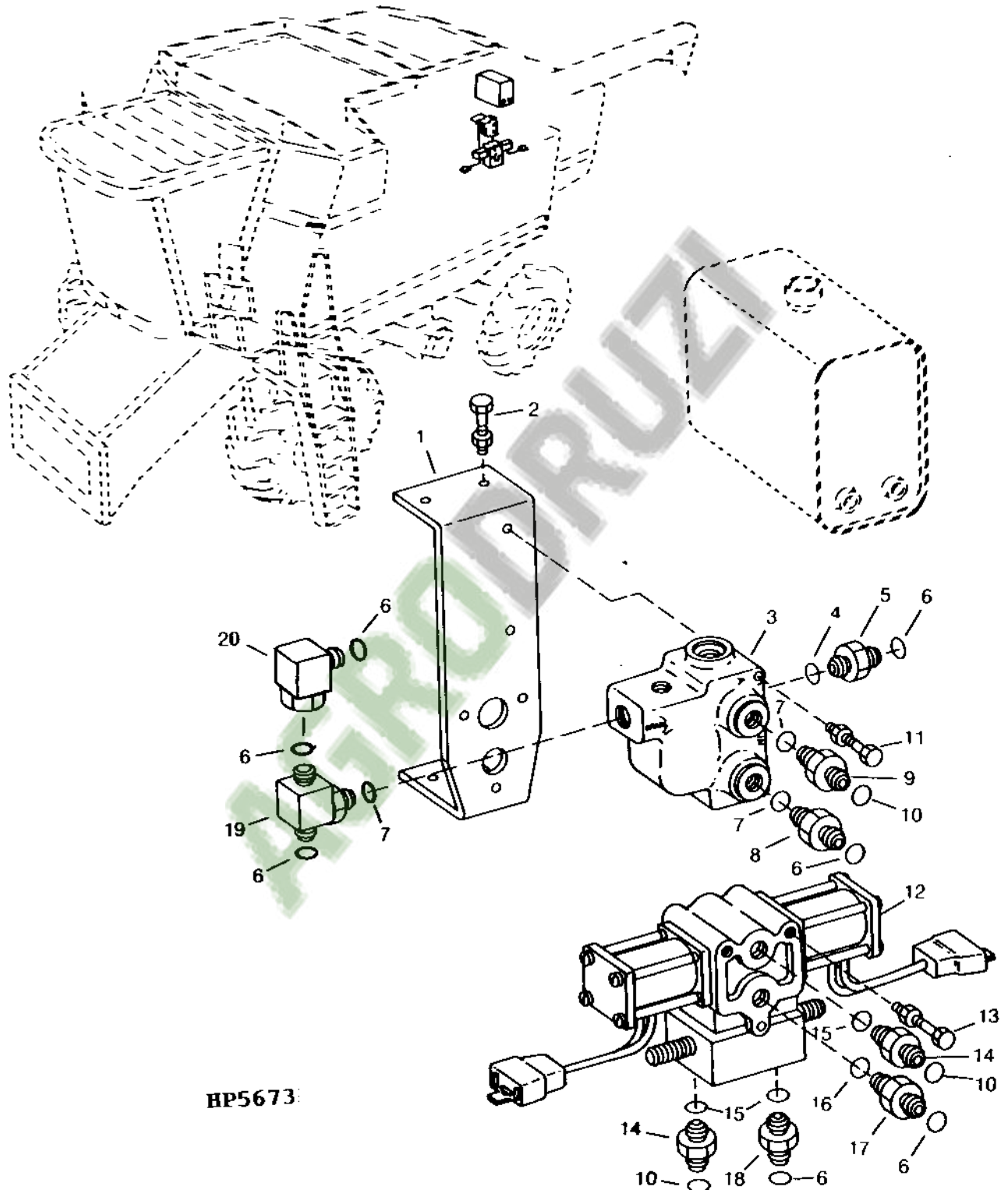
KEY	PART NO.	PART NAME	QTY	SERIAL NO.	REMARKS
				S	
				H	
				9	
				5	
				0	
				0	

AGRODRUZI

6G21

LEVELING SOLENOID VALVE AND FLOW DIVIDER (SIDEHILL)

HP5673 -UN-01JAN94



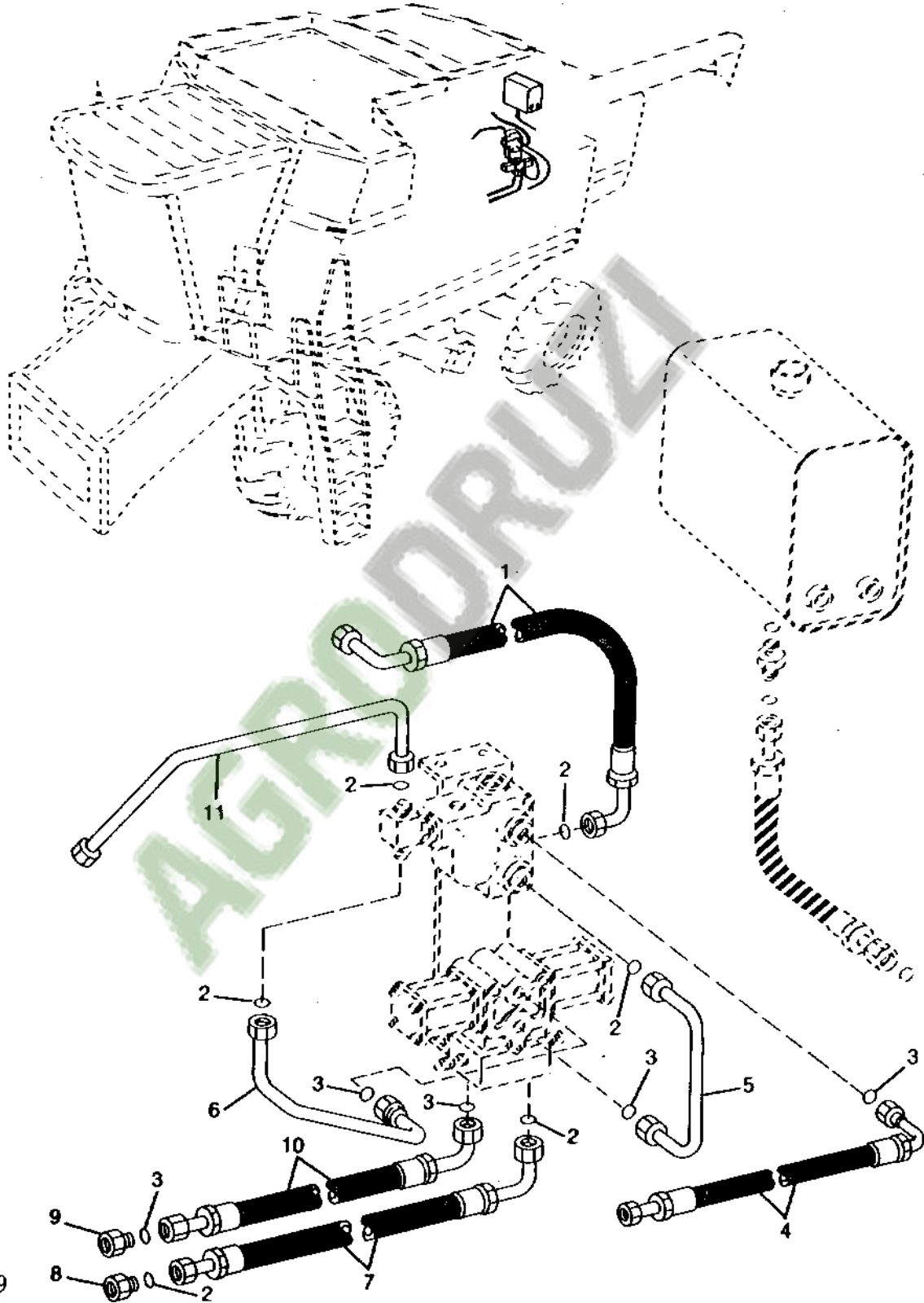
HP5673

6G23

LEVELING VALVE OIL LINES AND HOSES (SIDEHILL)

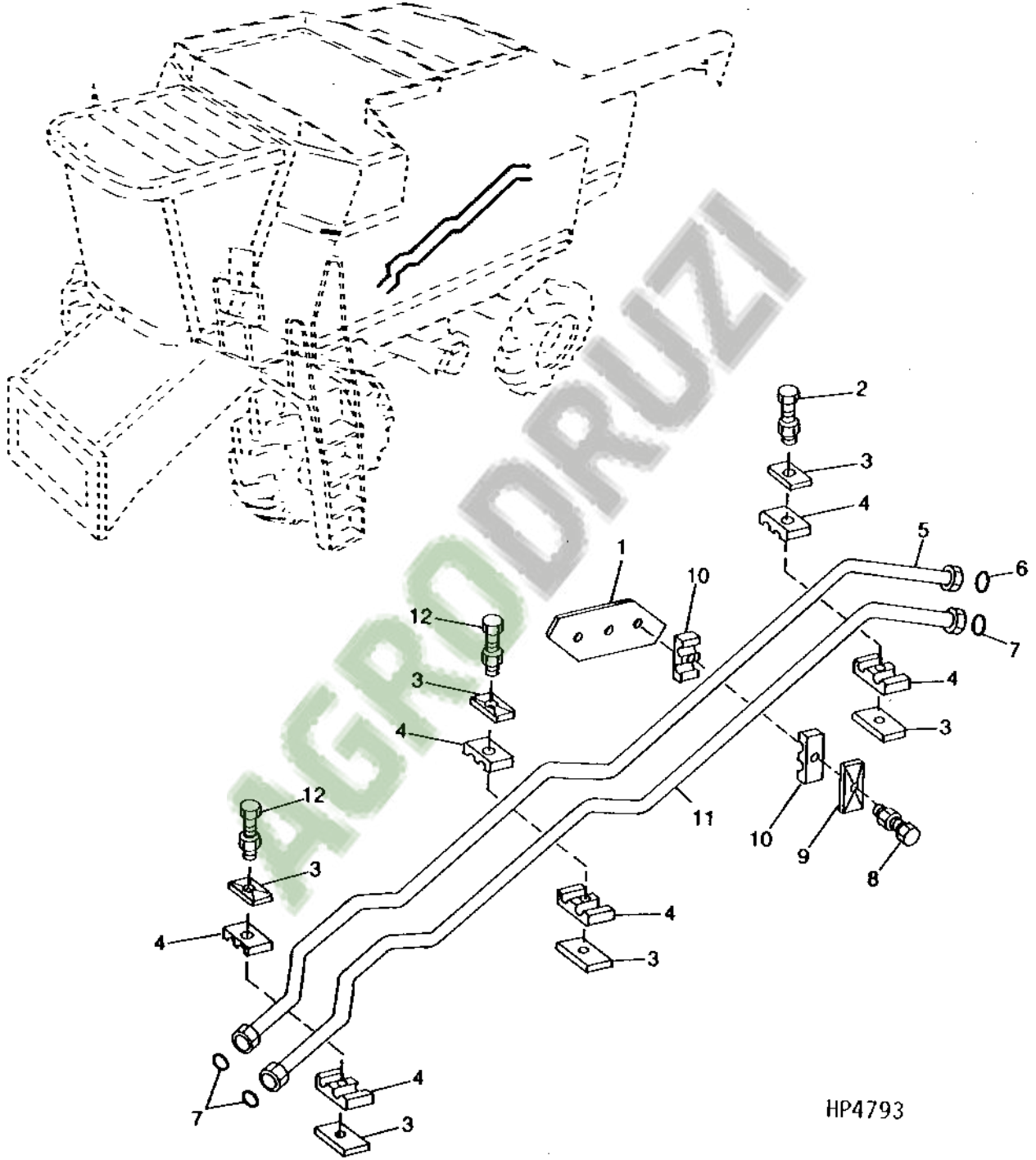
(645000-650000)

HP4789 -UN-01JAN94



HP4789

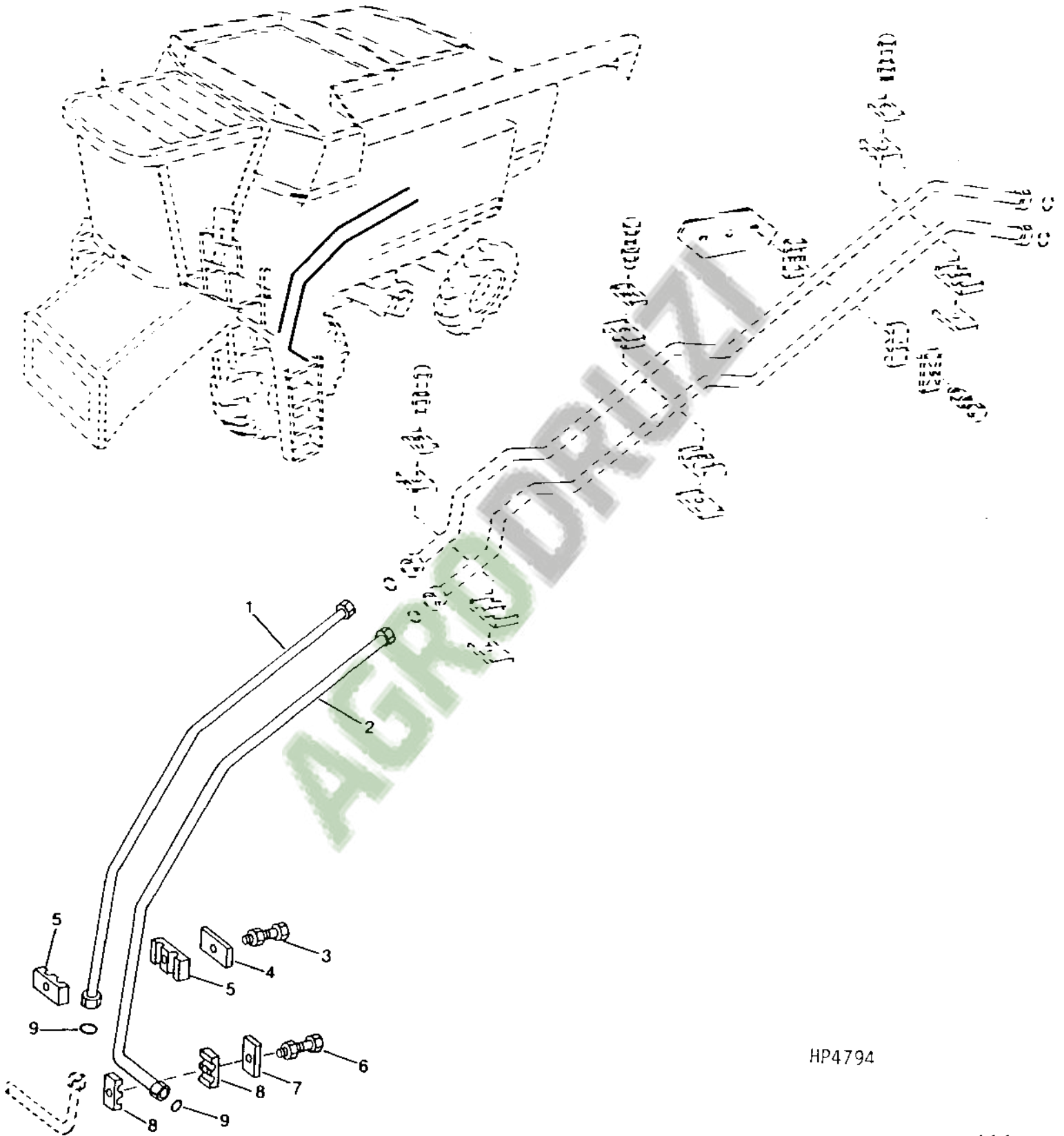
LEVELING CYLINDER UPPER OIL LINES (SIDEHILL)
HP4793 -UN-01JAN94



HP4793

LEVELING CYLINDER LOWER OIL LINES (SIDEHILL)

HP4794 -UN-01JAN94

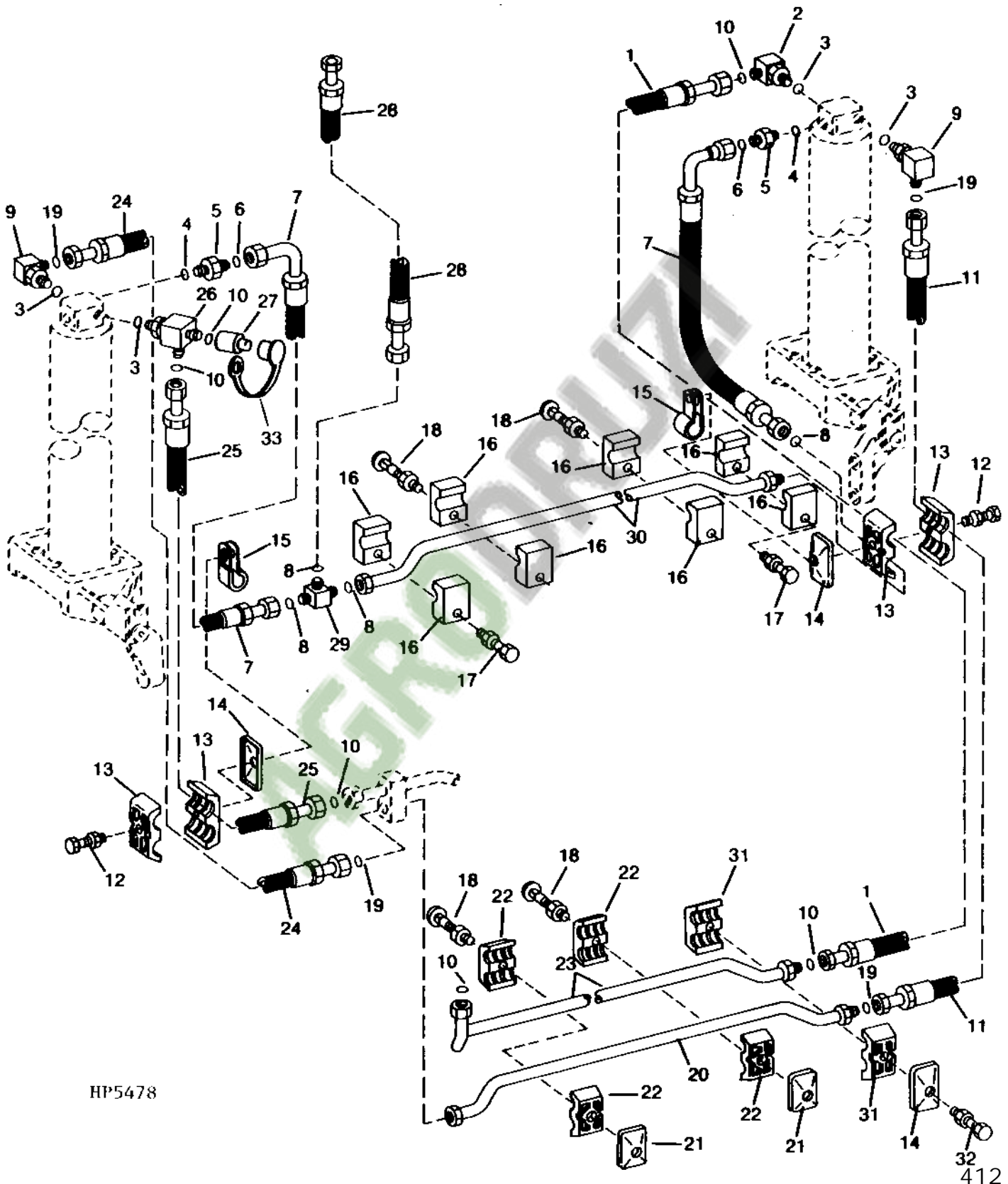


HP4794

6H5

LEVELING CYLINDER HOSES AND OIL LINES (SIDEHILL)

HP5478 -UN-01JAN94

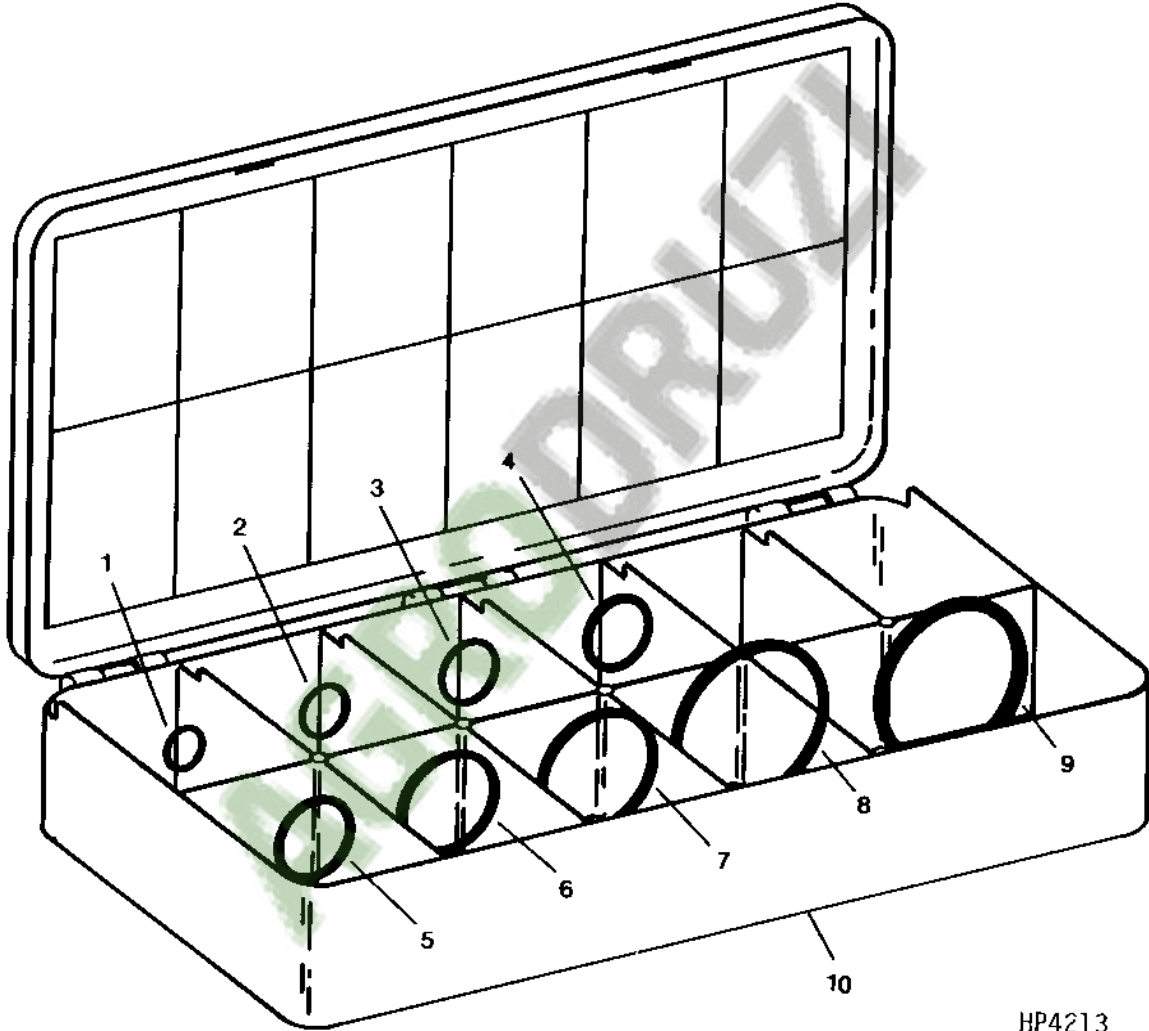


HP5478

412

6H7

HYDRAULIC FLAT O-RING KIT
HP4213 -UN-01JAN94

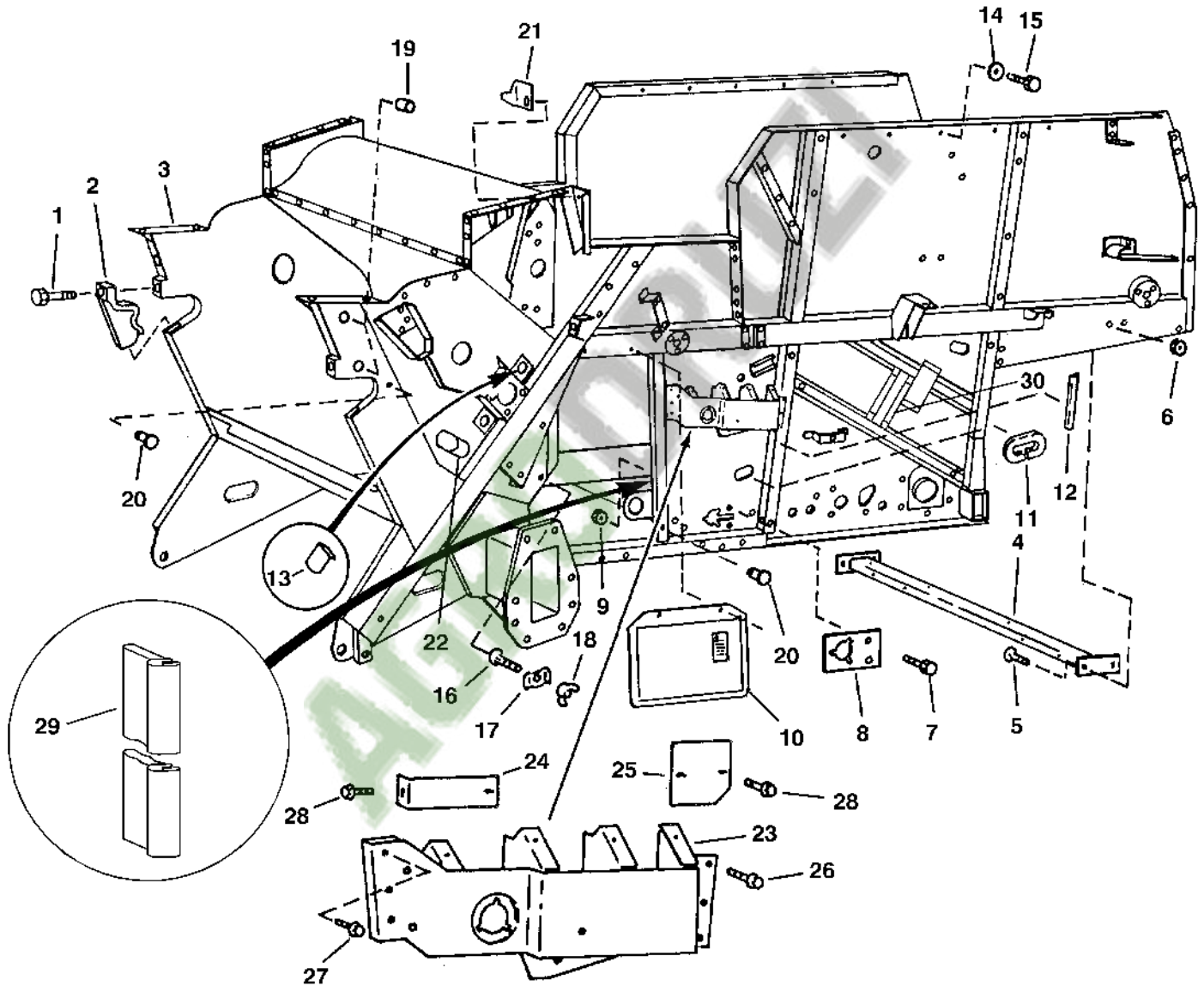


HP4213

7B23

SEPARATOR SHELL

SEPARATOR FRAME
HP6867 -UN-04AUG97



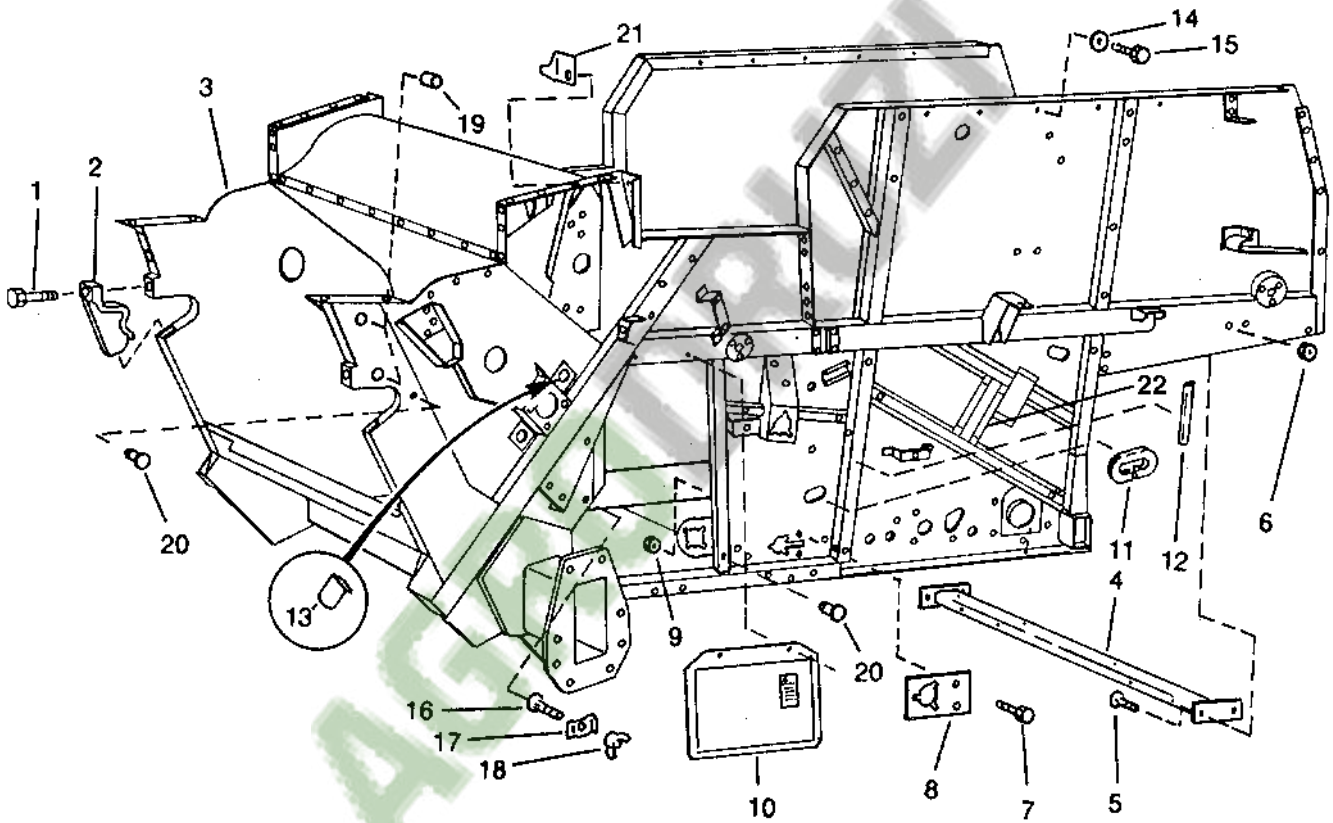
HP6867

414

7C1

SEPARATOR SHELL

SEPARATOR FRAME (SIDEHILL)
HP6866 -UN-04AUG97



HP6866

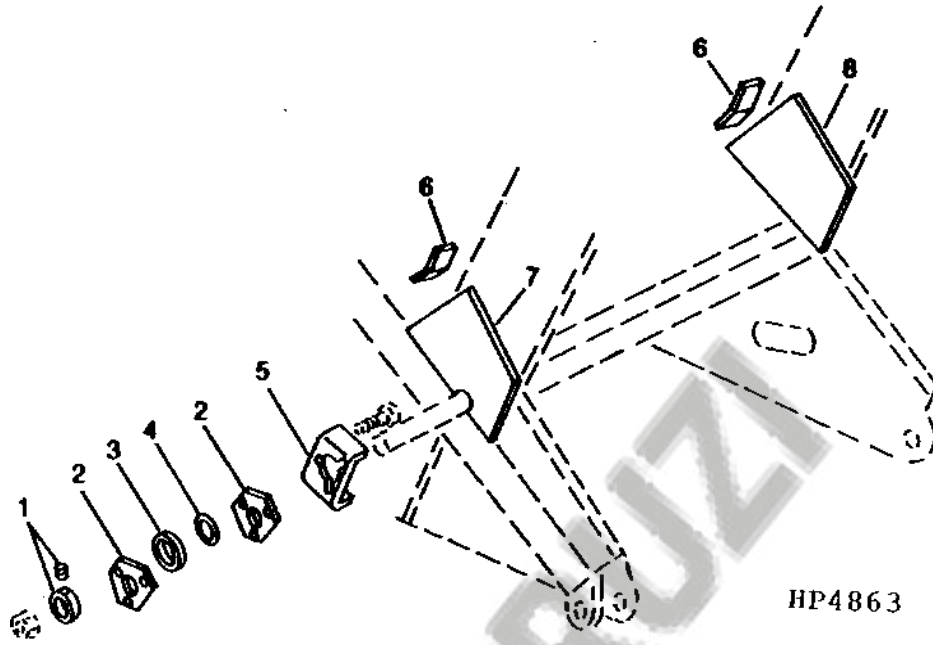
415

7C3

SEPARATOR SHELL

NO. 1 UPRIGHT REINFORCEMENT KIT

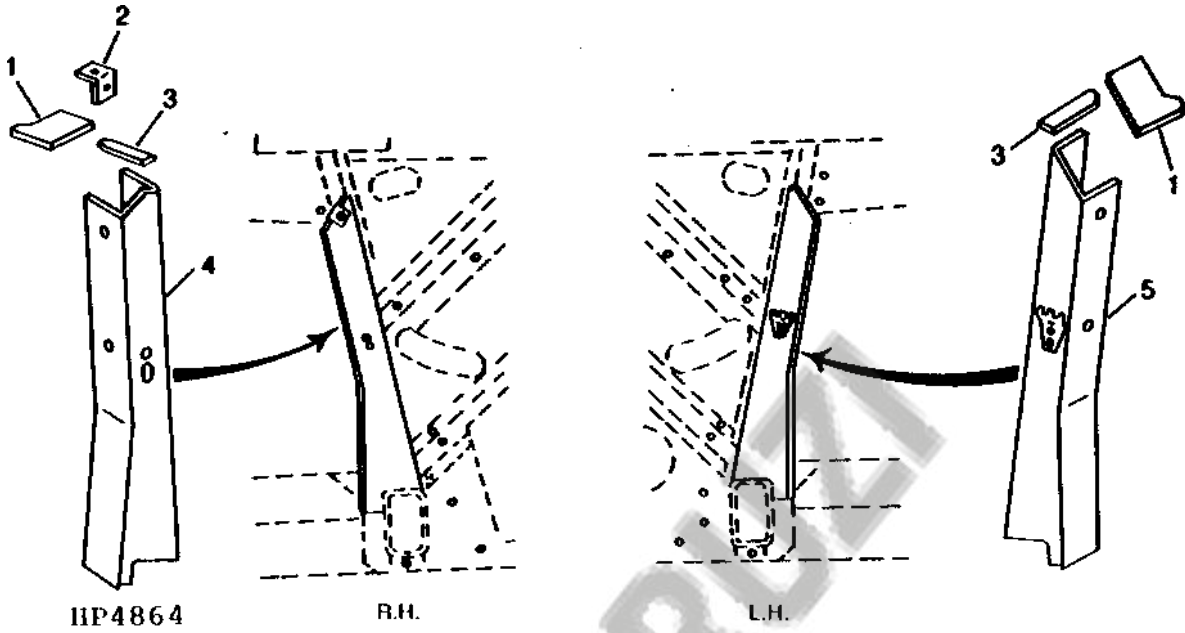
HP4863 -UN-01JAN94



KEY	PART NO.	PART NAME	QTY	SERIAL NO.	REMARKS
				SH 99 55 00 00	

7C4

NO. 5 UPRIGHT REINFORCEMENT KIT
 HP4864 -UN-01JAN94



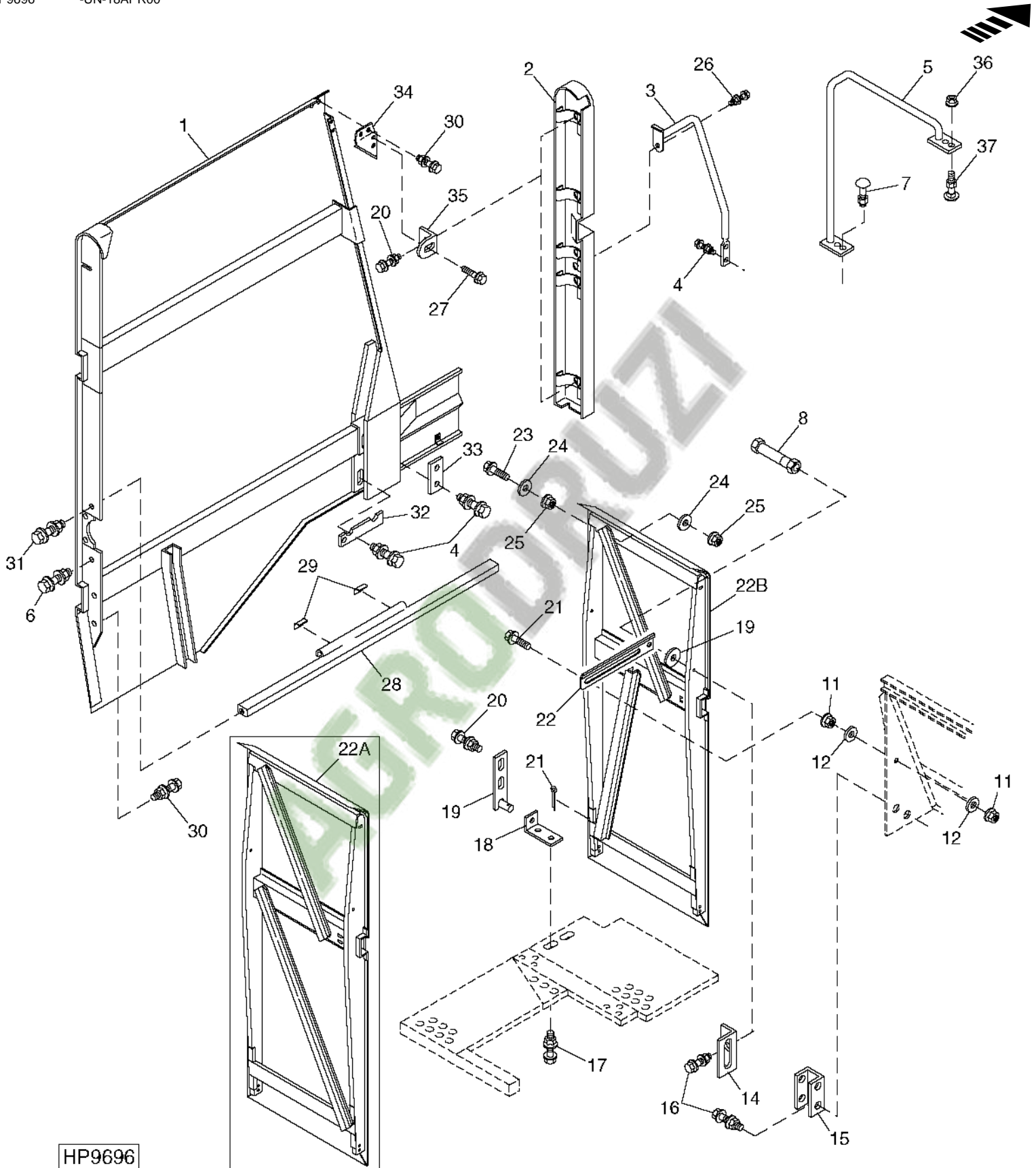
KEY	PART NO.	PART NAME	QTY	SERIAL NO.	REMARKS
				S	
				H	
				9 9	
				5 5	
				0 0	
				0 0	

AGRODRIVE

7C5

SEPARATOR SHELL

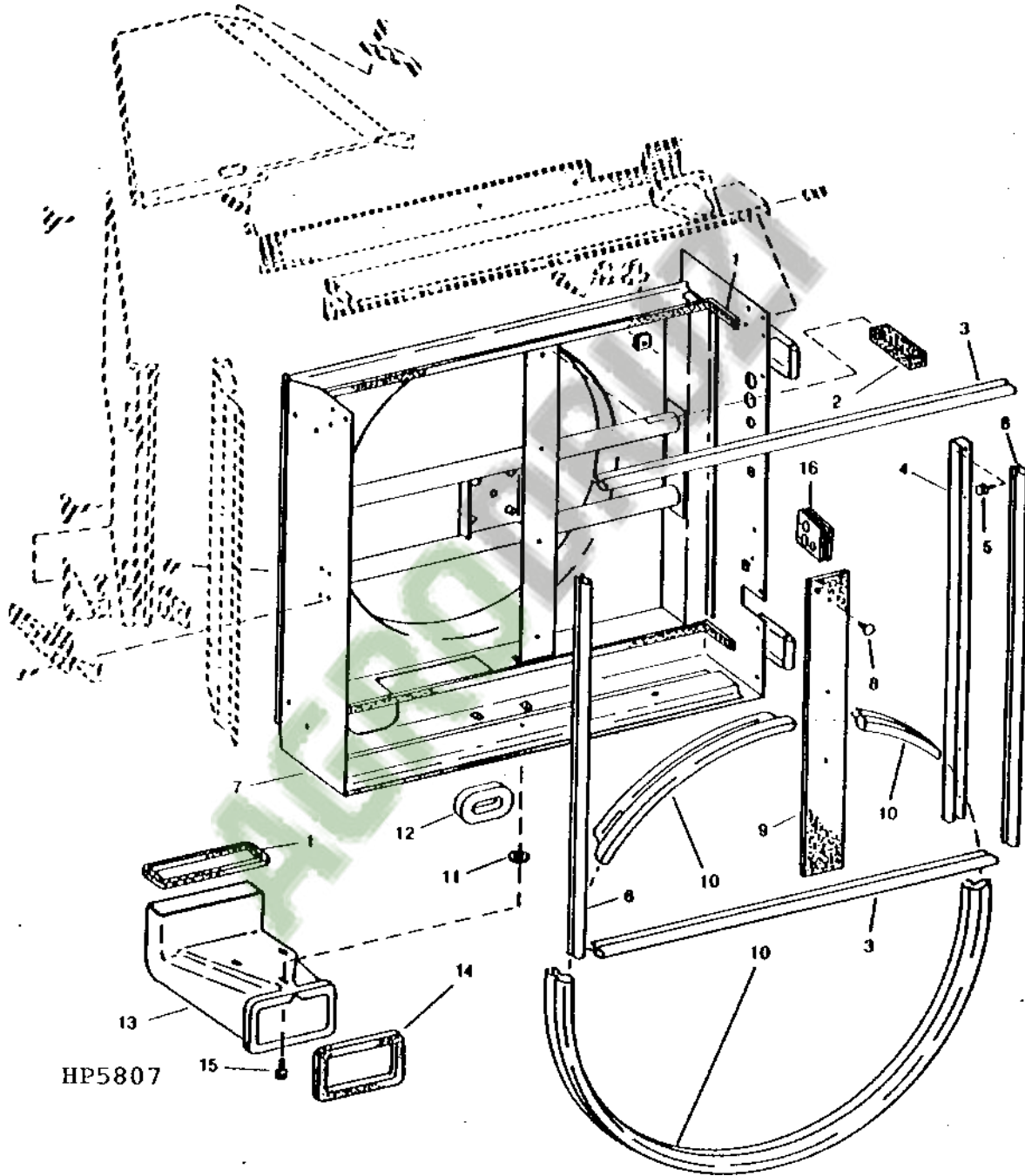
ENGINE ACCESS DOOR, HANDRAILS, AND RADIATOR DOOR
HP9696 -UN-18APR00



HP9696

7C7

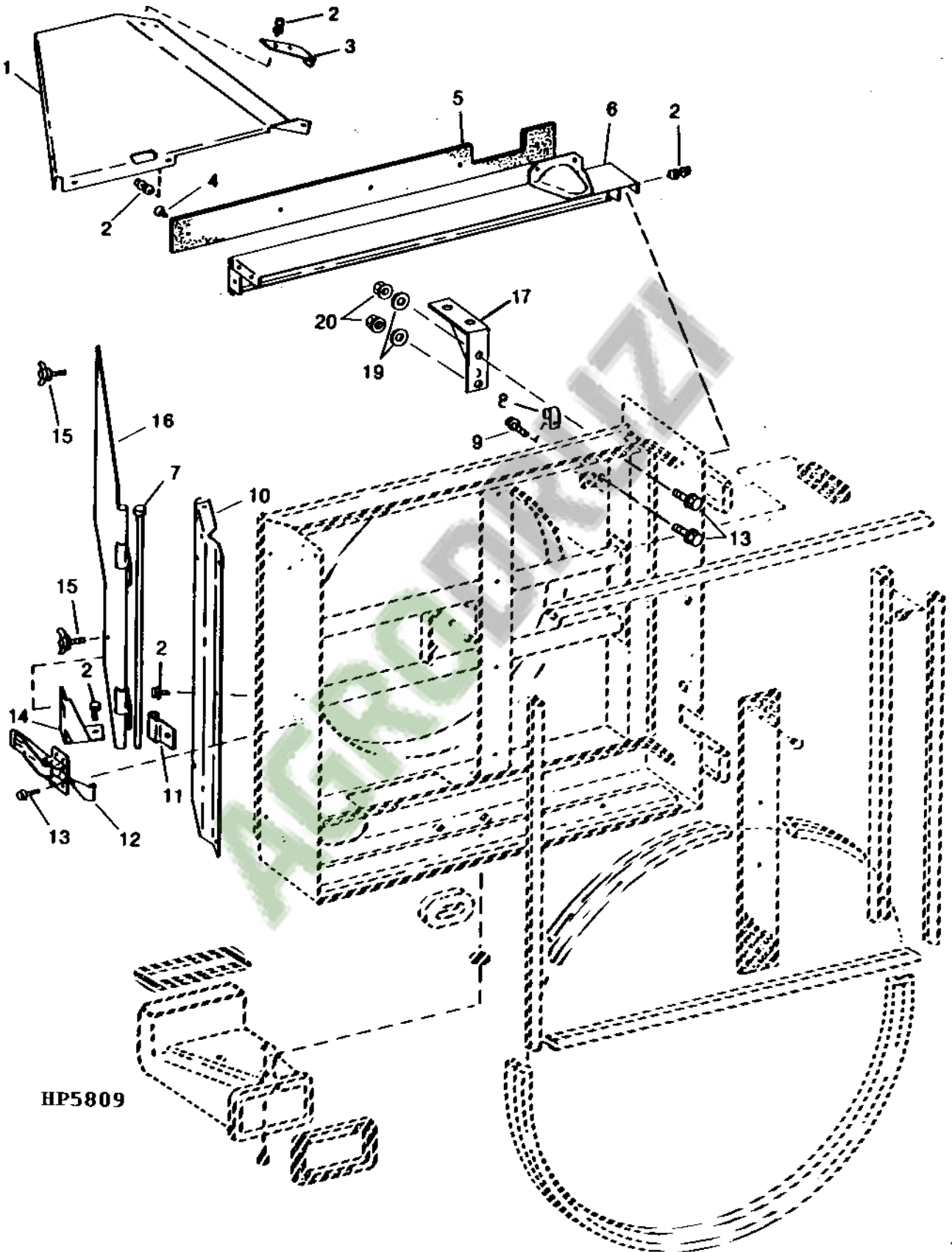
RADIATOR SHELL AND SEALS
HP5807 -UN-01JAN94



7C9

SEPARATOR SHELL

RADIATOR SHELL AND SEALS
HP5809 -UN-20OCT94

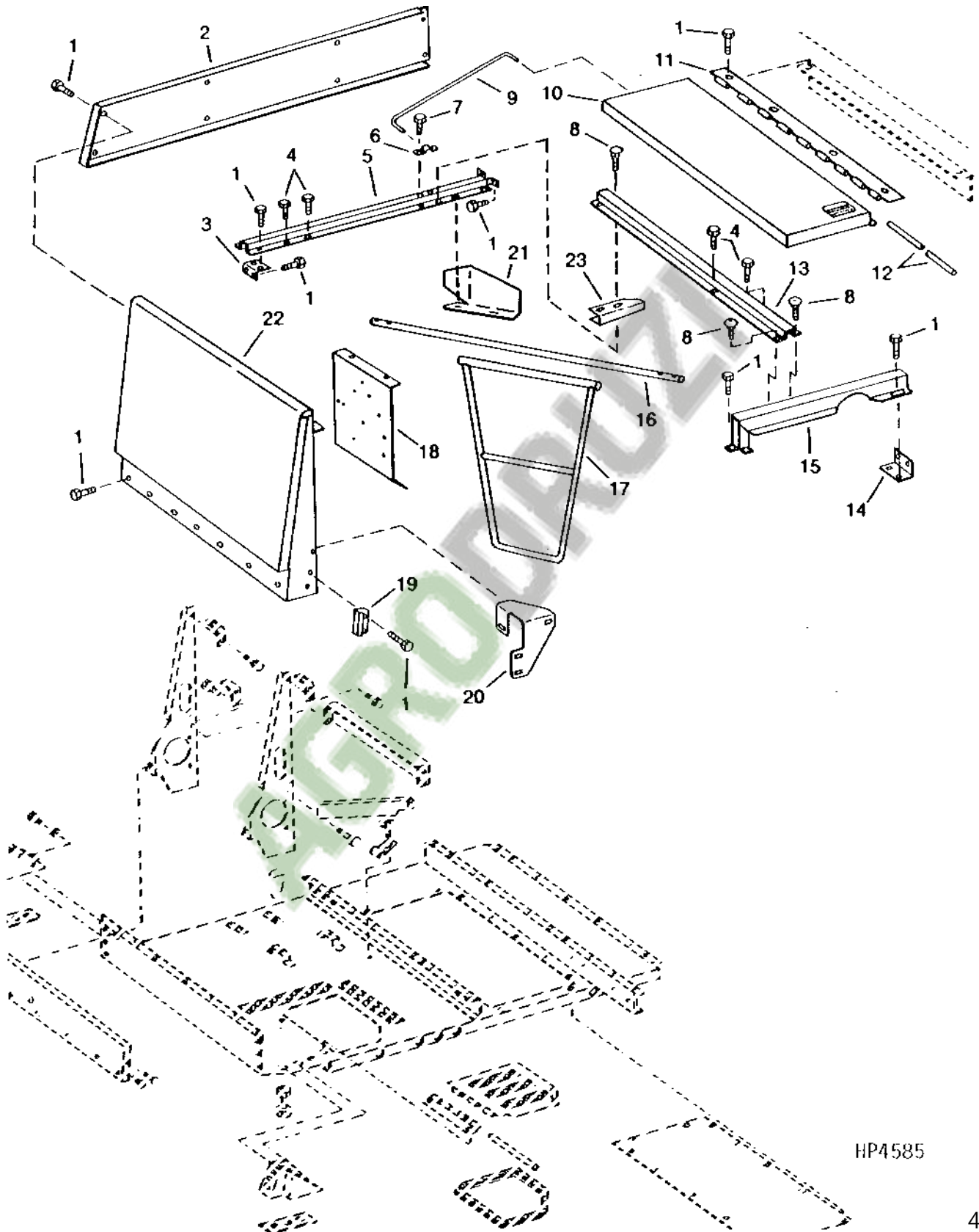


HP5809

7C11

SEPARATOR SHELL

ENGINE COMPARTMENT
(-640200)
HP4585 -UN-01JAN94



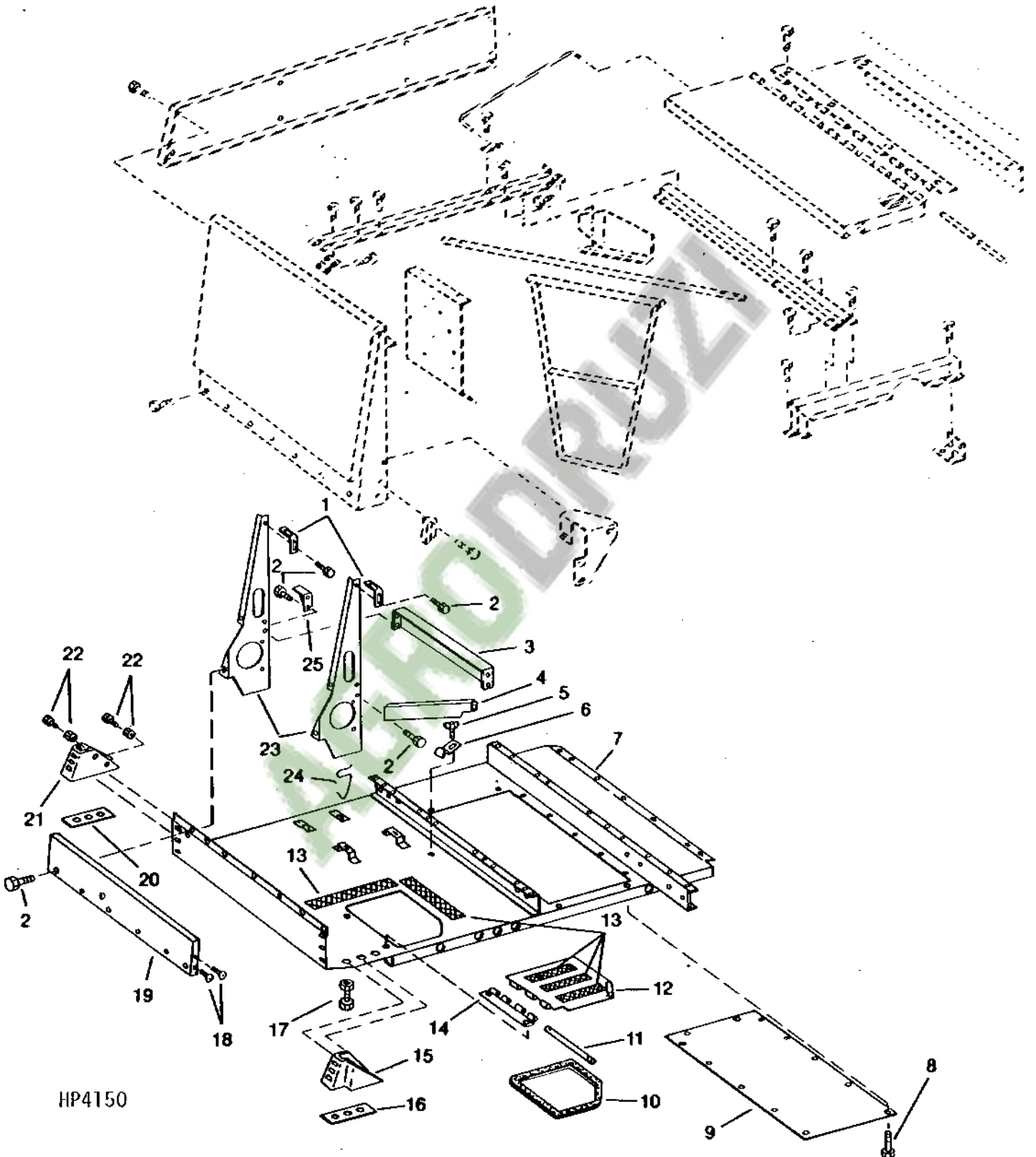
HP4585

421

7C13

SEPARATOR SHELL

ENGINE COMPARTMENT
(-640200)
HP4150 -UN-01JAN94

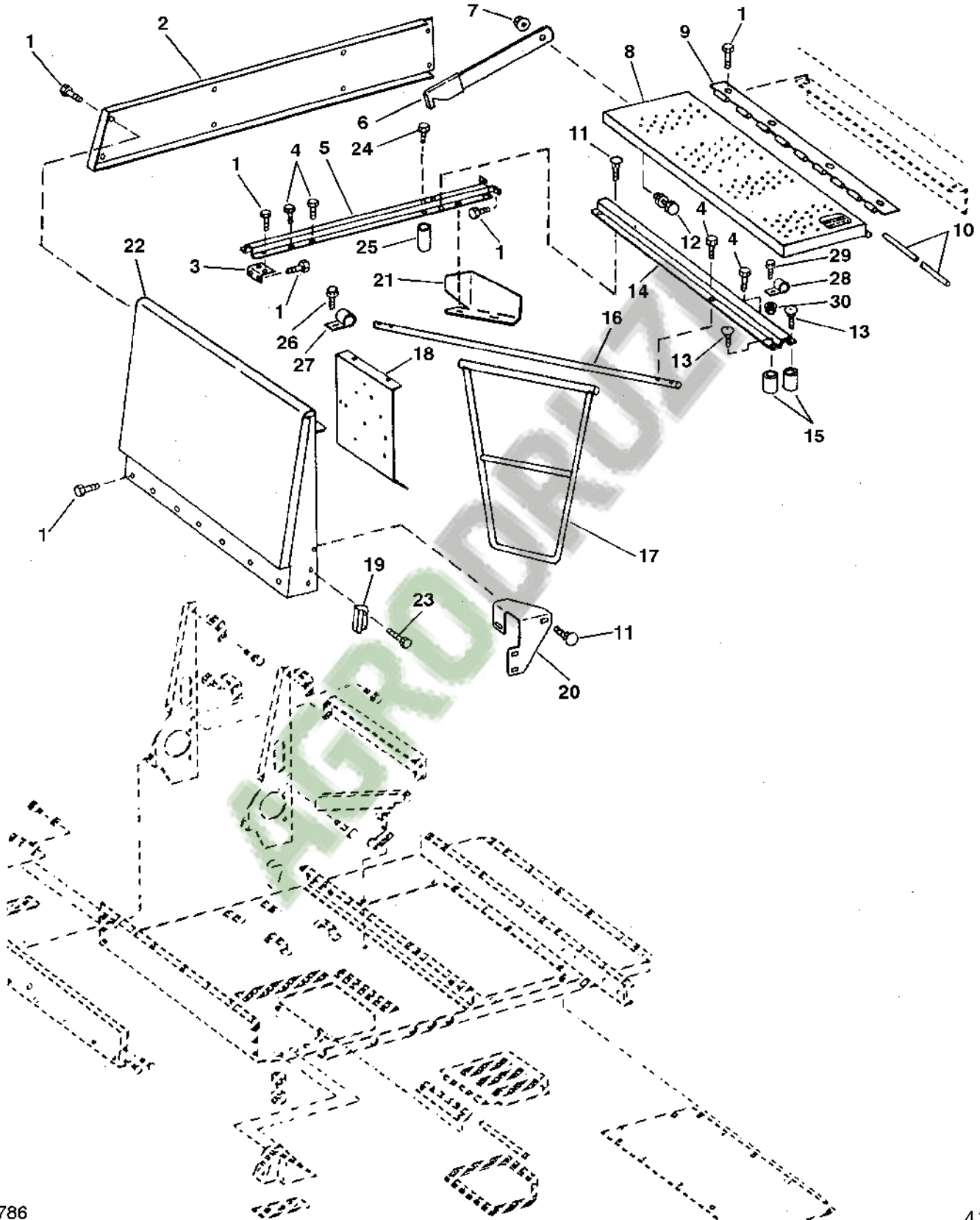


HP4150

7C15

SEPARATOR SHELL

ENGINE COMPARTMENT
(640201-)
HP6786 -UN-18AUG97



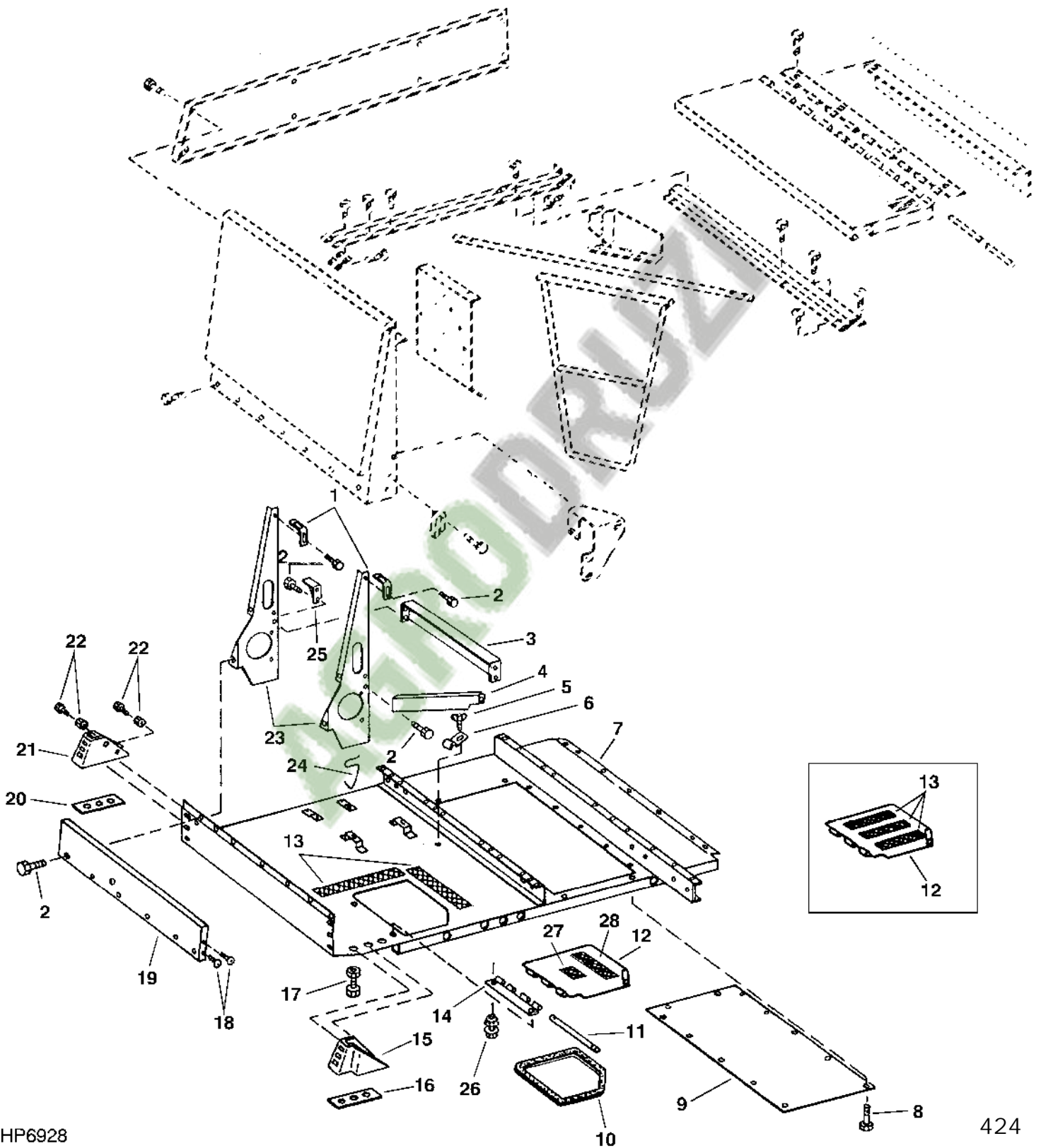
HP6786

423

7C17

SEPARATOR SHELL

ENGINE COMPARTMENT
(640201-)
HP6928 -UN-29AUG97



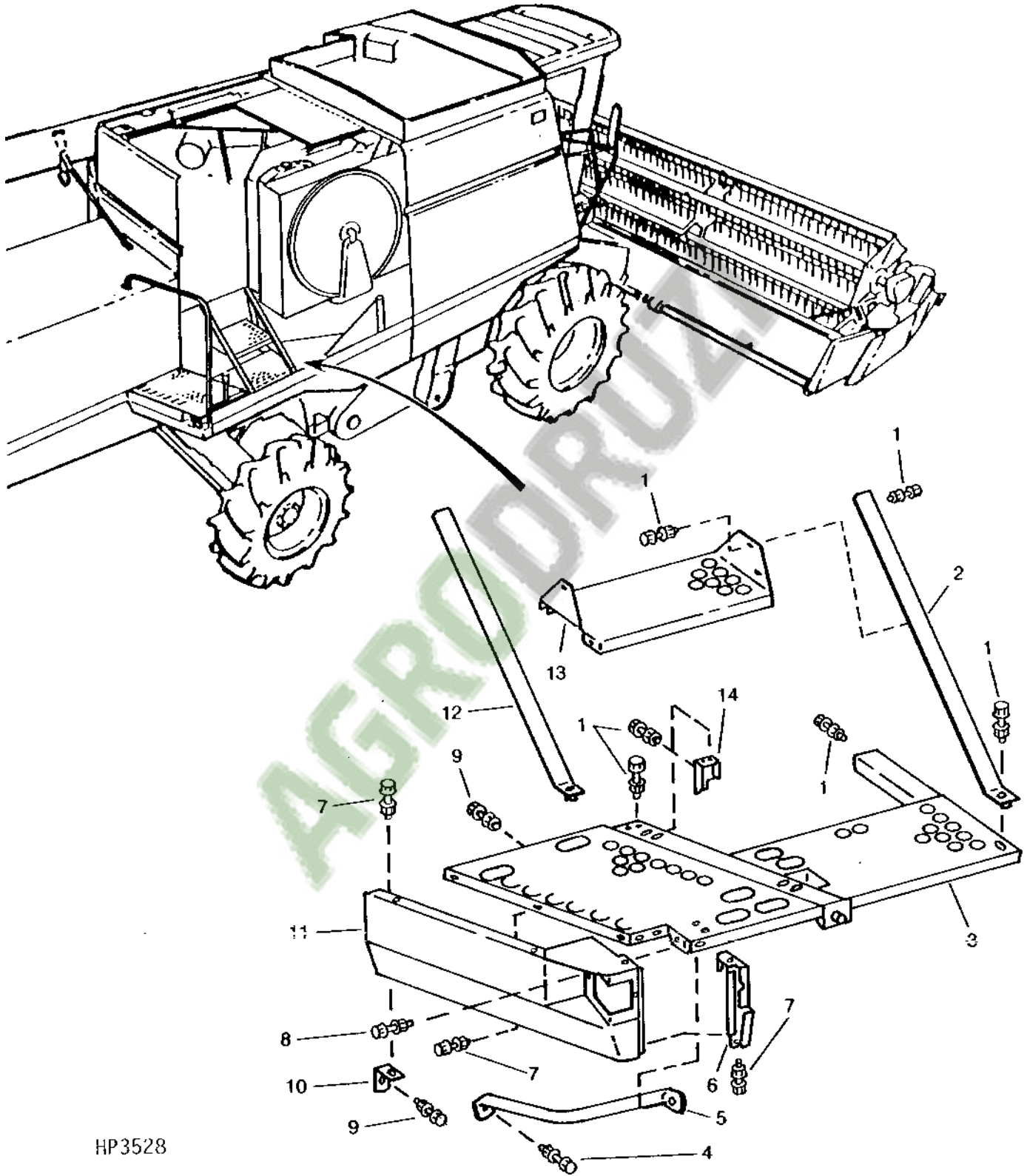
HP6928

424

7C19

SEPARATOR SHELL

ENGINE ACCESS PLATFORM AND STEP
HP3528 -UN-01JAN94



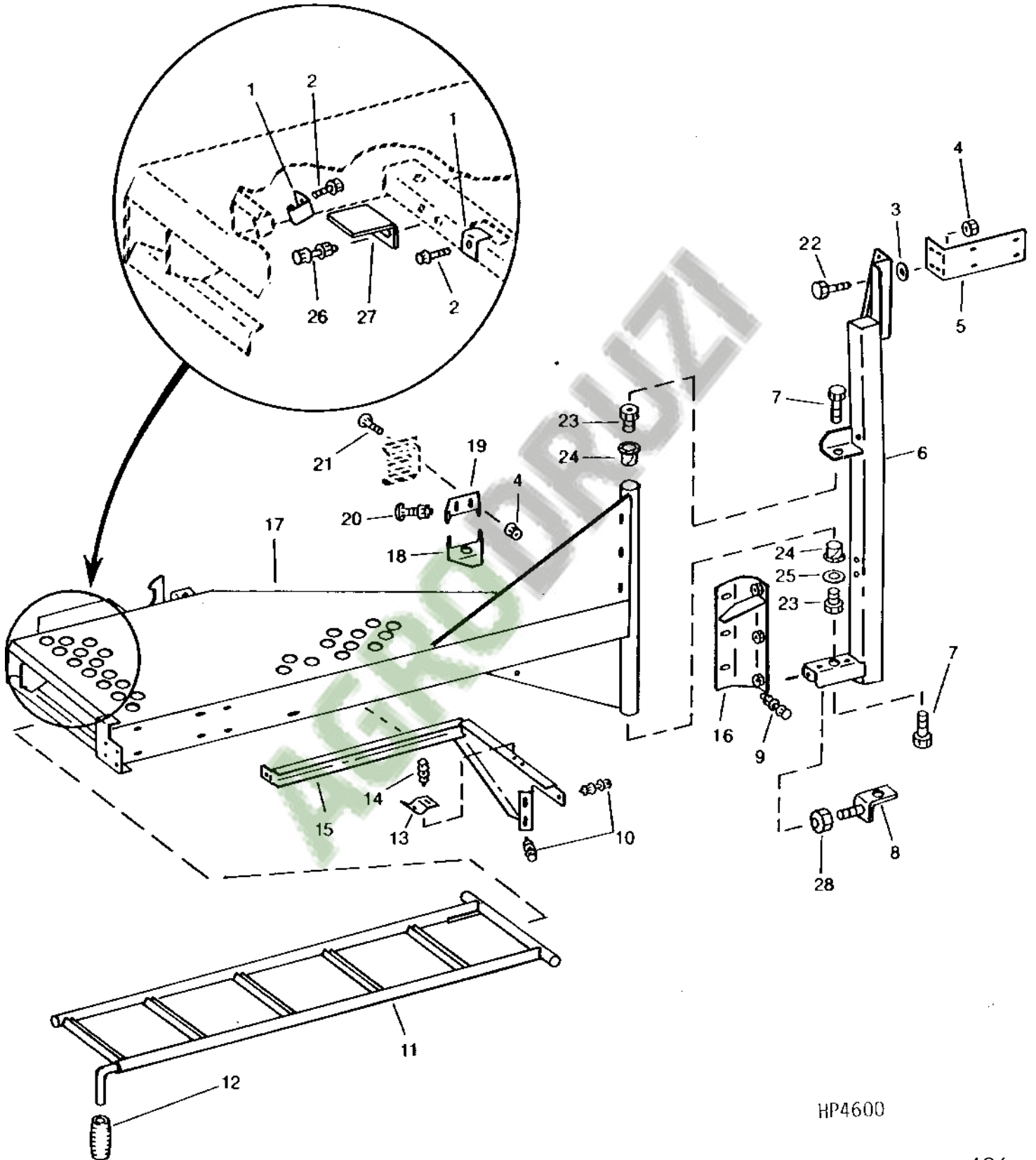
HP3528

425

7C21

SEPARATOR SHELL

REAR LADDER AND LANDING
HP4600 -UN-01JAN94



HP4600

426

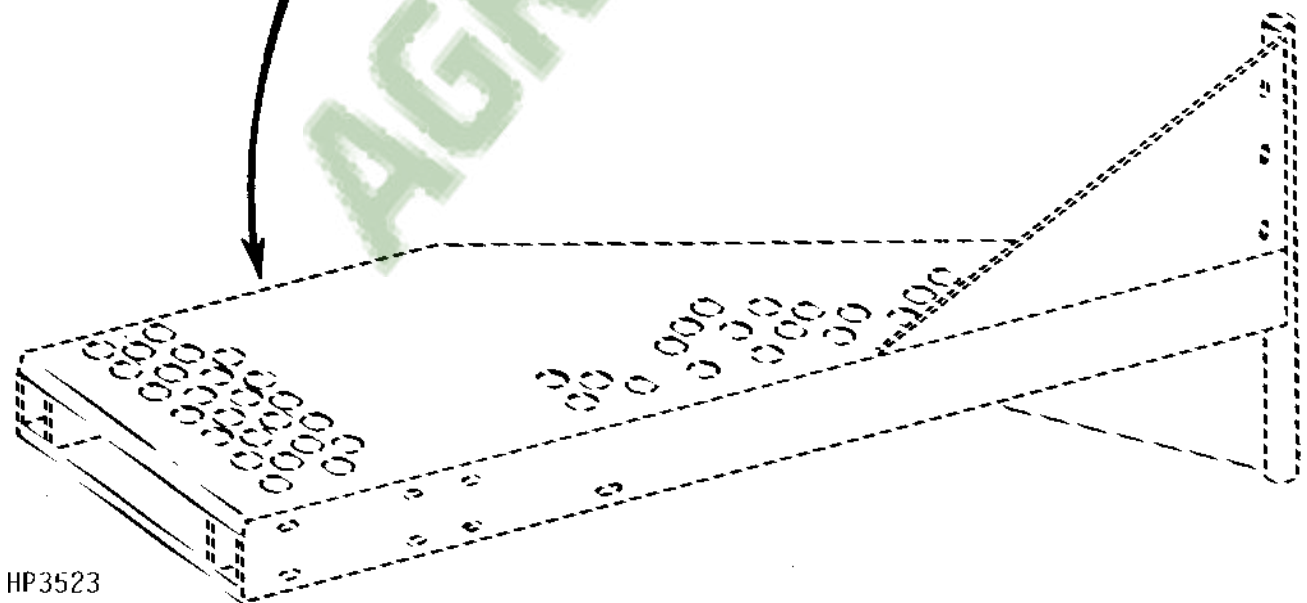
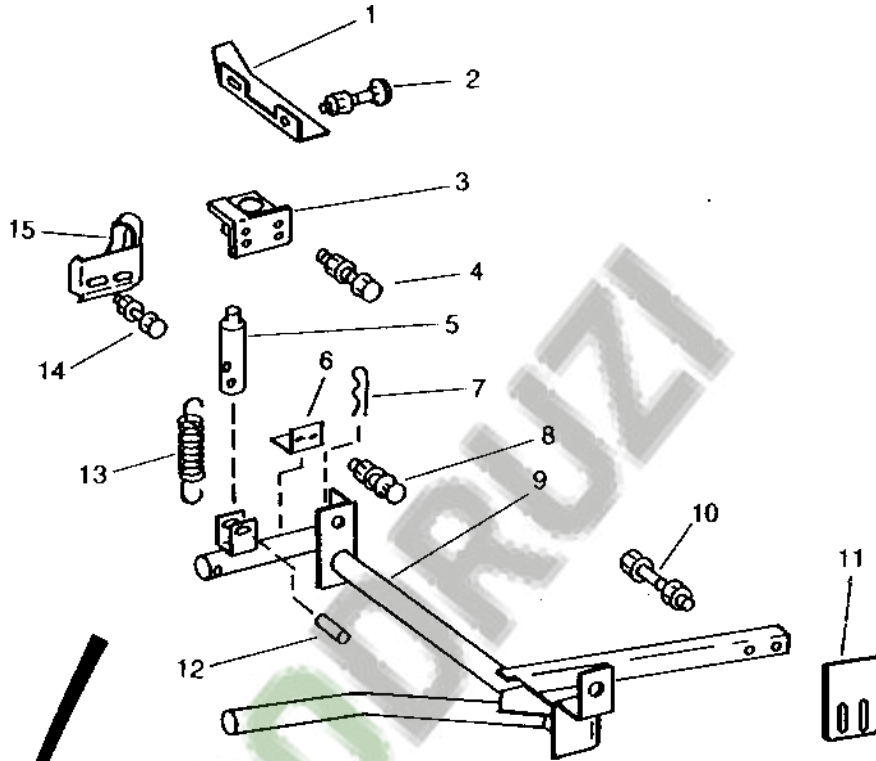
7C23

SEPARATOR SHELL

REAR LADDER LANDING LATCH ARM

(-640200)

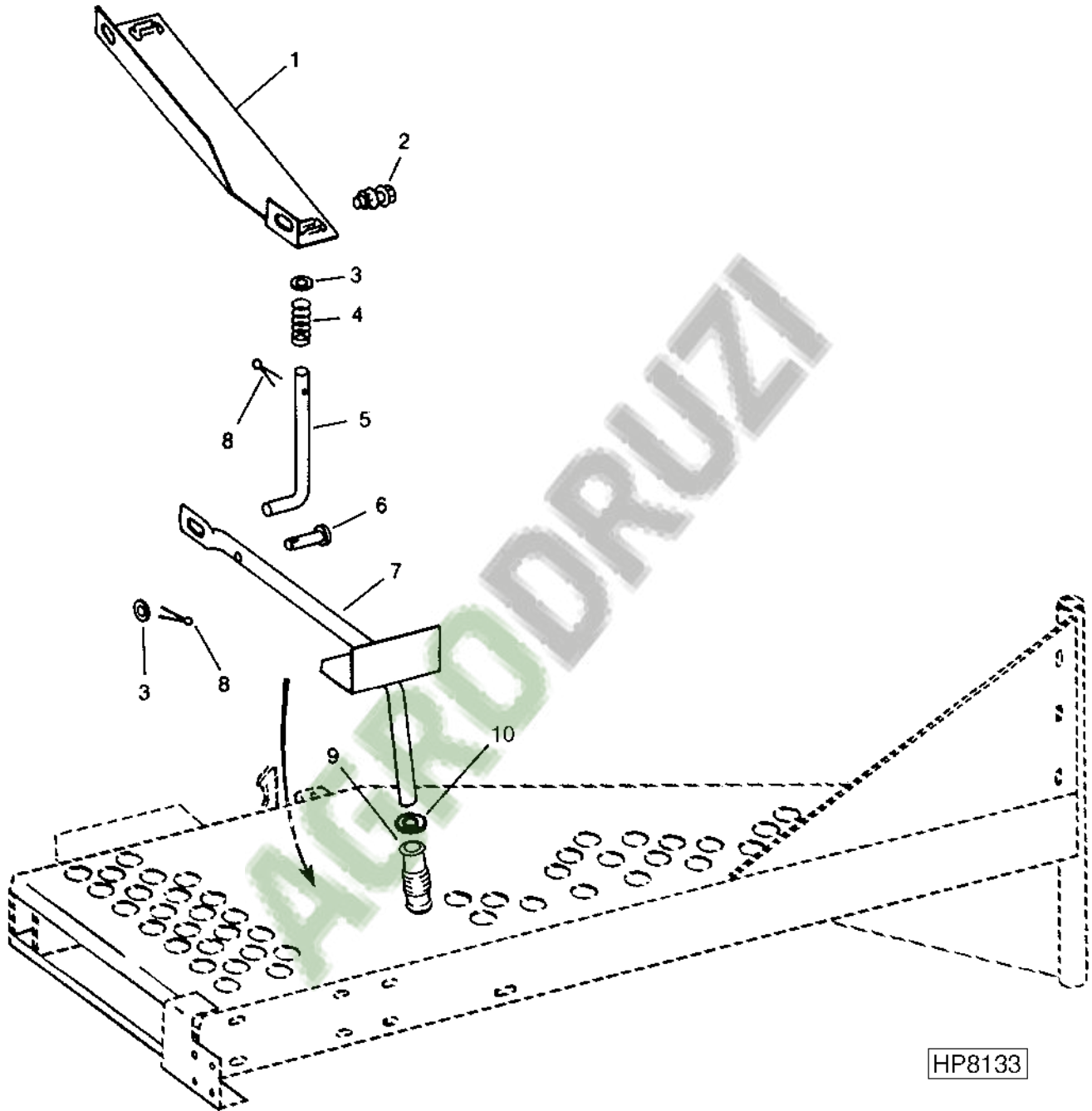
HP3523 -UN-01JAN94



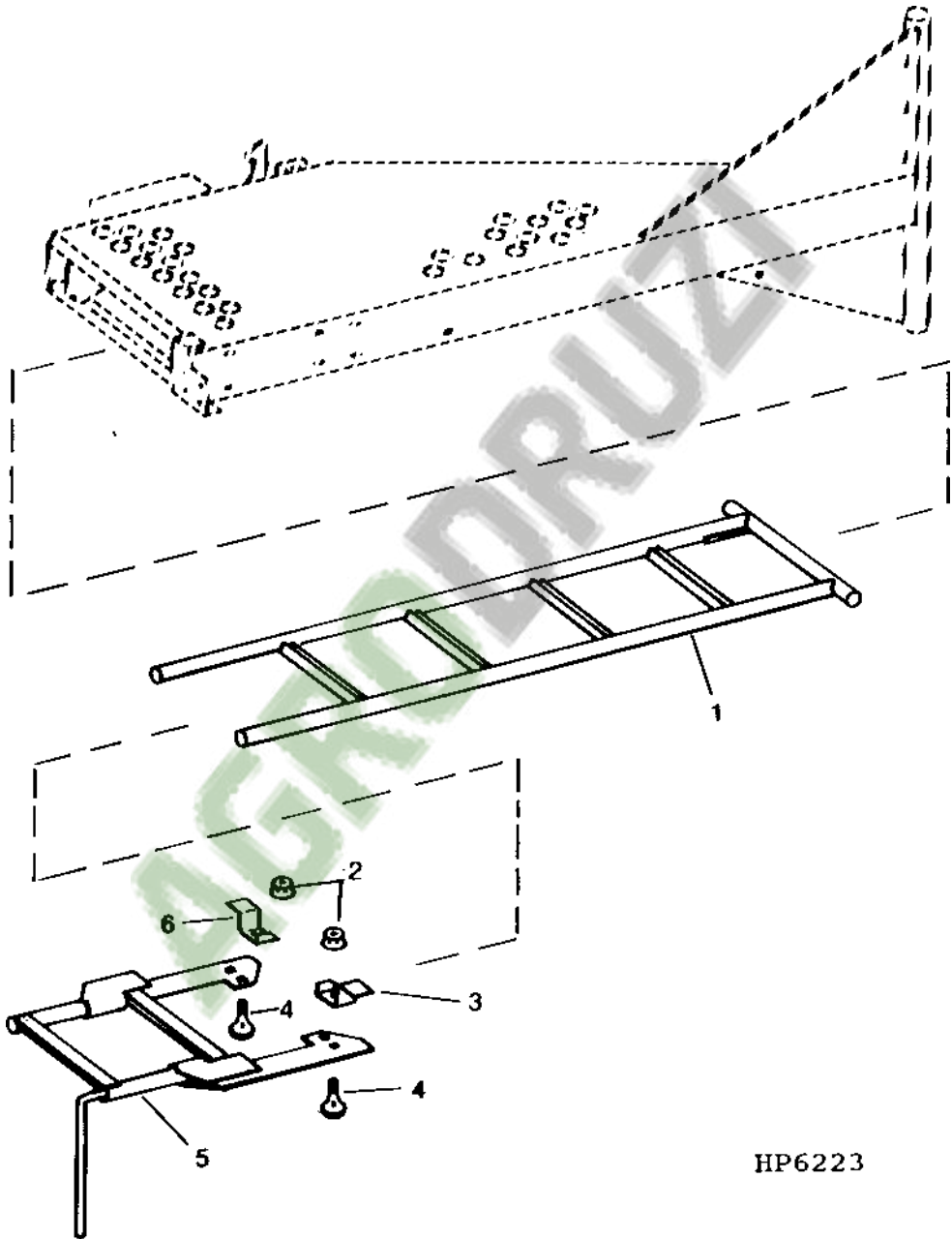
HP3523

REAR LADDER LANDING LATCH ARM

(640201-)
HP8133 -UN-07JAN99



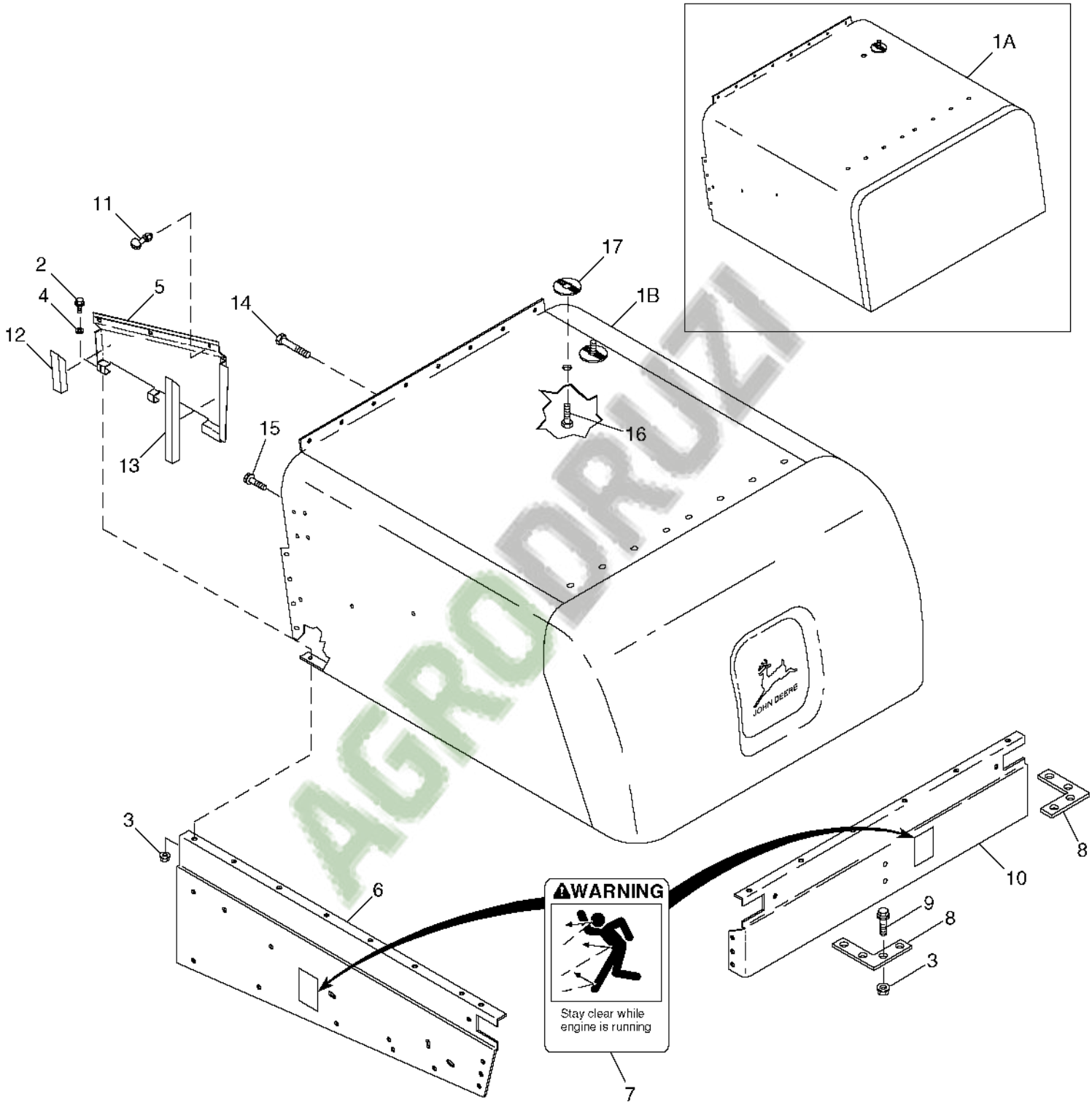
REAR LADDER AND EXTENSION (SIDEHILL)
HP6223 -UN-21DEC95



HP6223

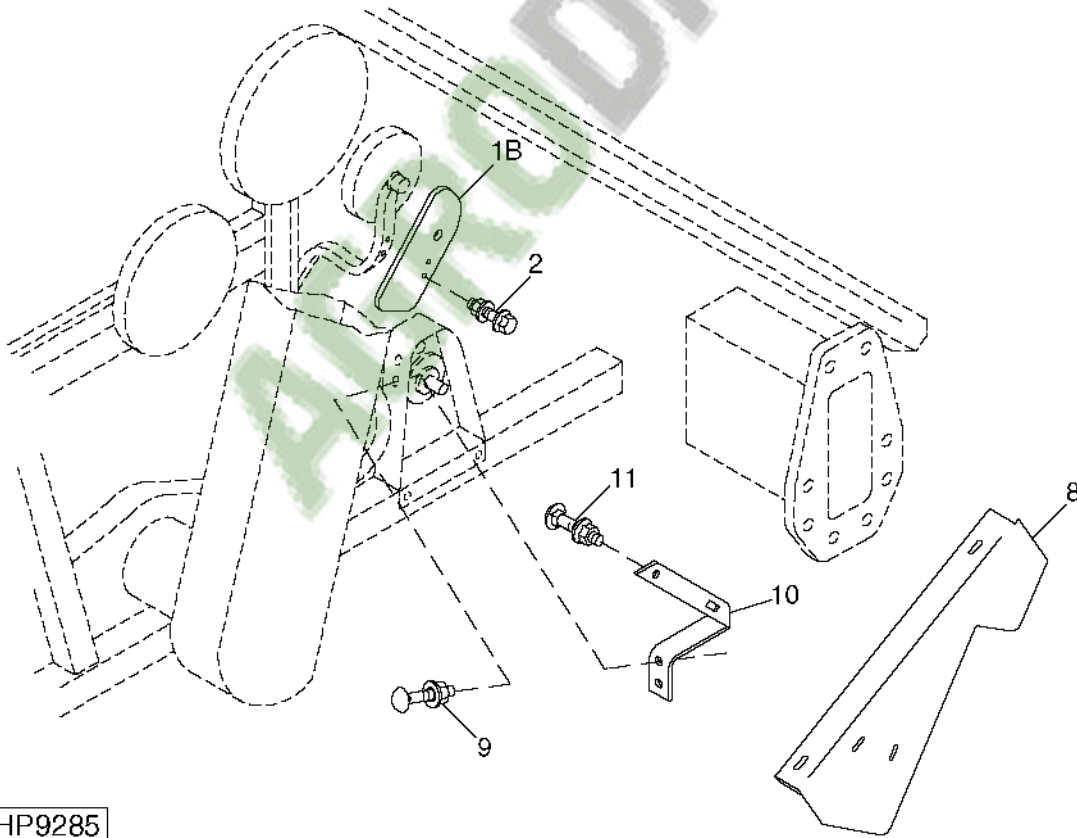
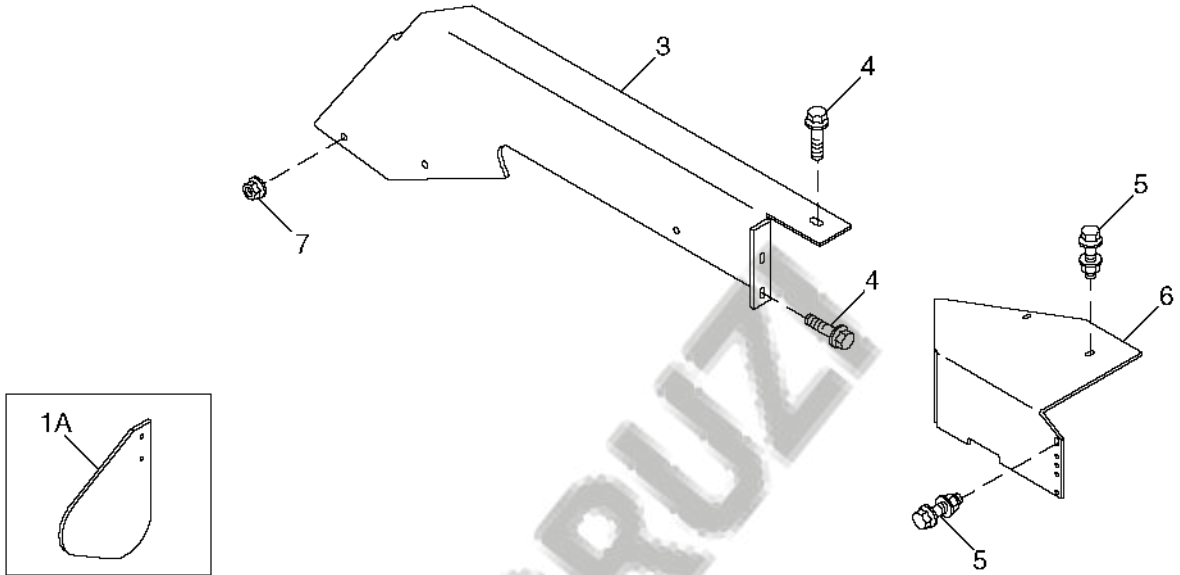
7D5

REAR HOOD
HP9519 -UN-26JAN00



HP9519

AUGER DRIVE SHIELDS (R.H. SIDE)
HP9285 -UN-24NOV99

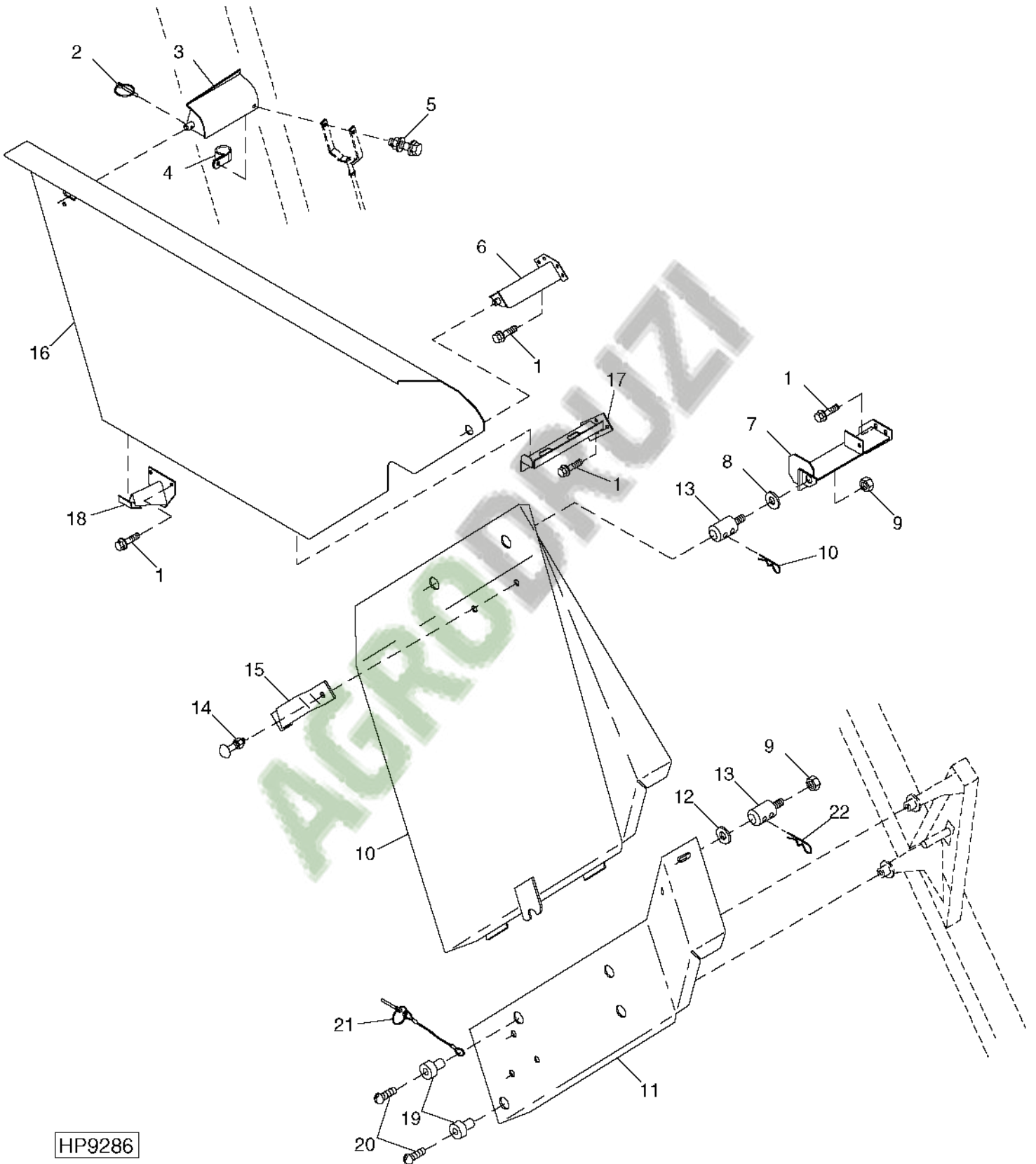


HP9285

7D9

MUD AND FAN DRIVE SHIELDS (L.H. SIDE)

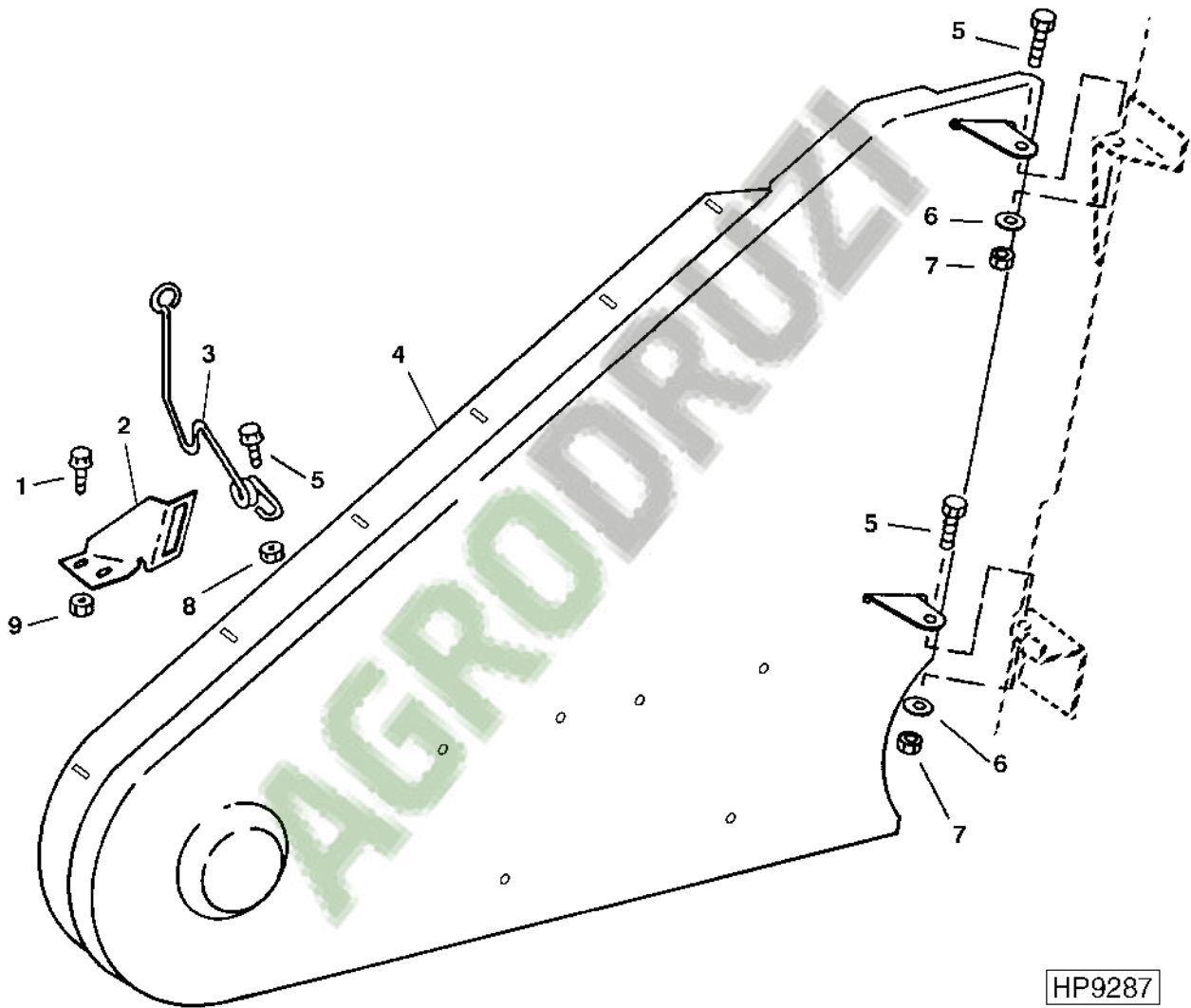
HP9286 -UN-24NOV99



HP9286

7D11

DRIVE SHIELD (R.H. REAR)
HP9287 -UN-17NOV99

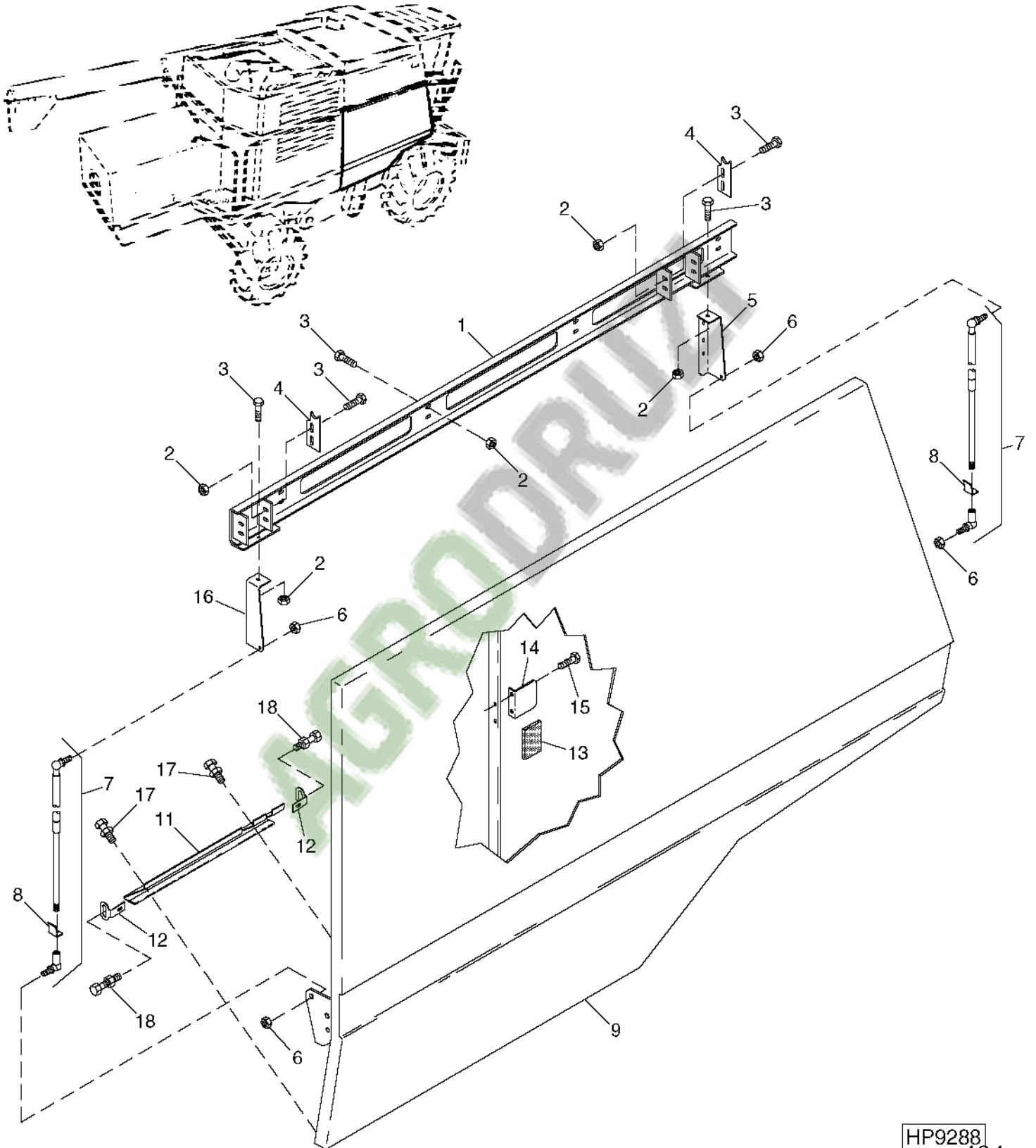


HP9287

7D13

SEPARATOR SHELL

R.H. SERVICE ACCESS SHIELD
HP9288 -UN-18NOV99

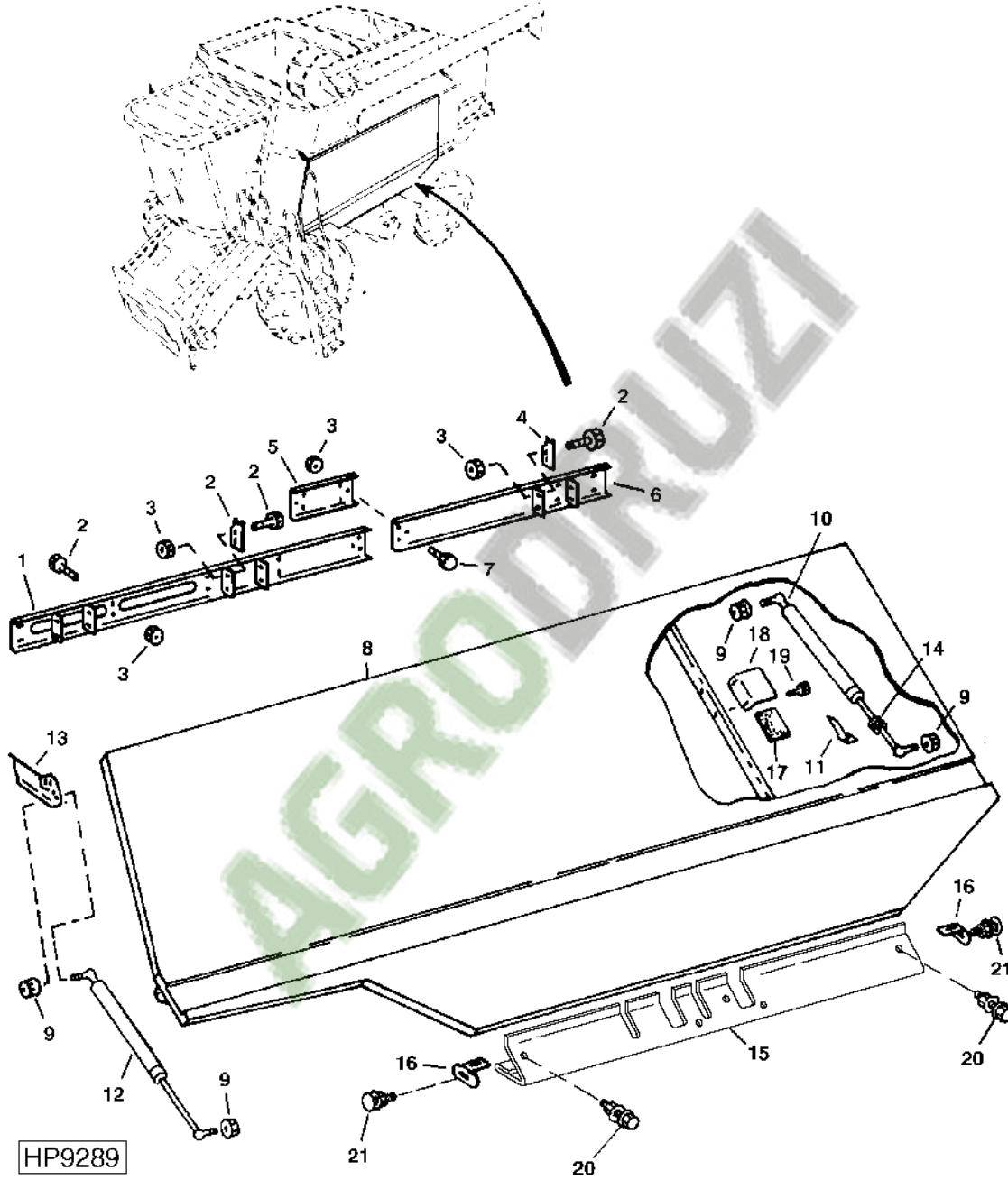


HP9288
434

7D15

SEPARATOR SHELL

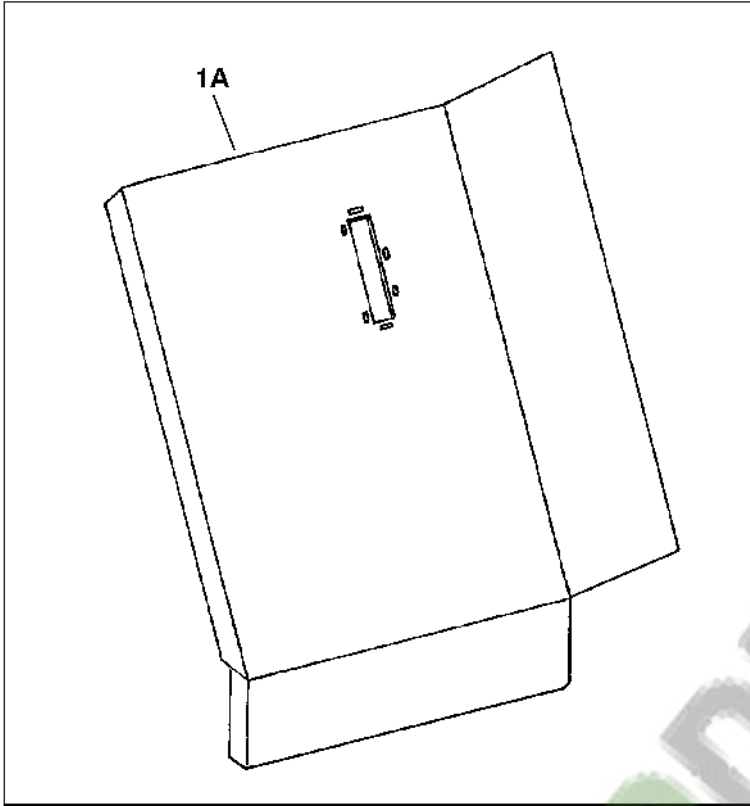
L.H. SERVICE ACCESS SHIELD
HP9289 -UN-15NOV99



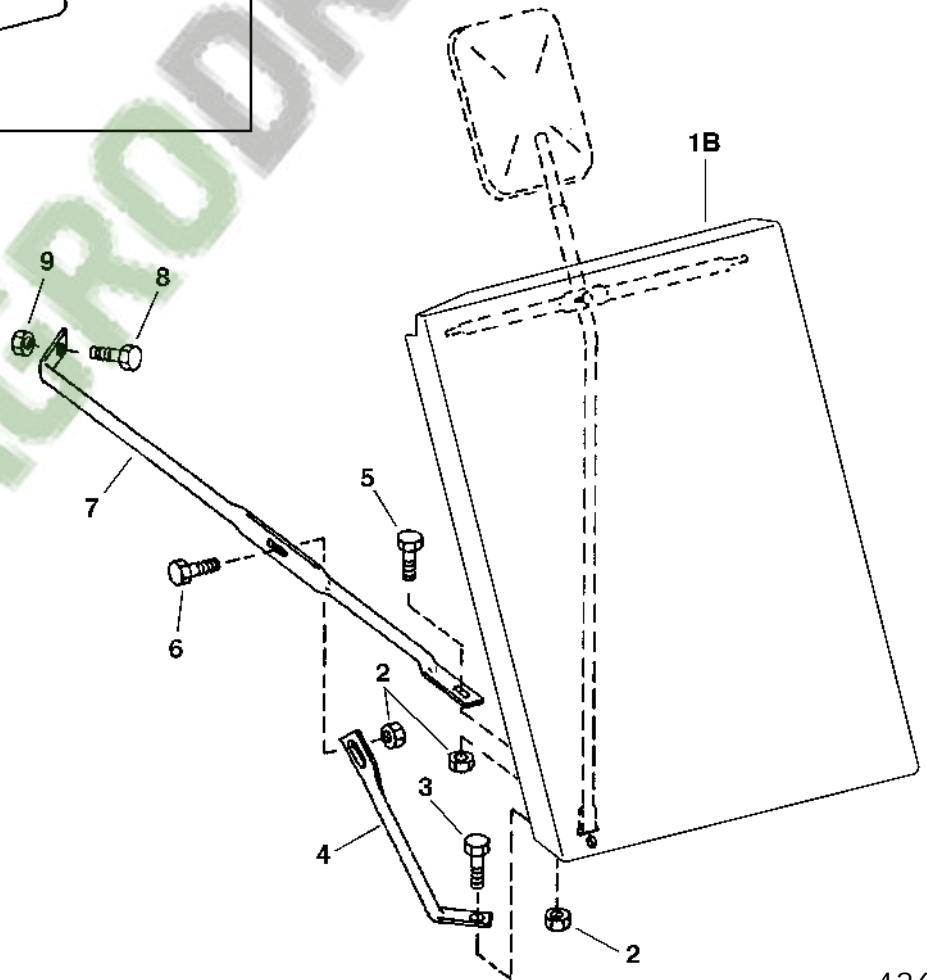
7D17

SEPARATOR SHELL

R.H. FRONT CORNER SHEET
HP6743 -UN-23JUN97



ACRODRUZI

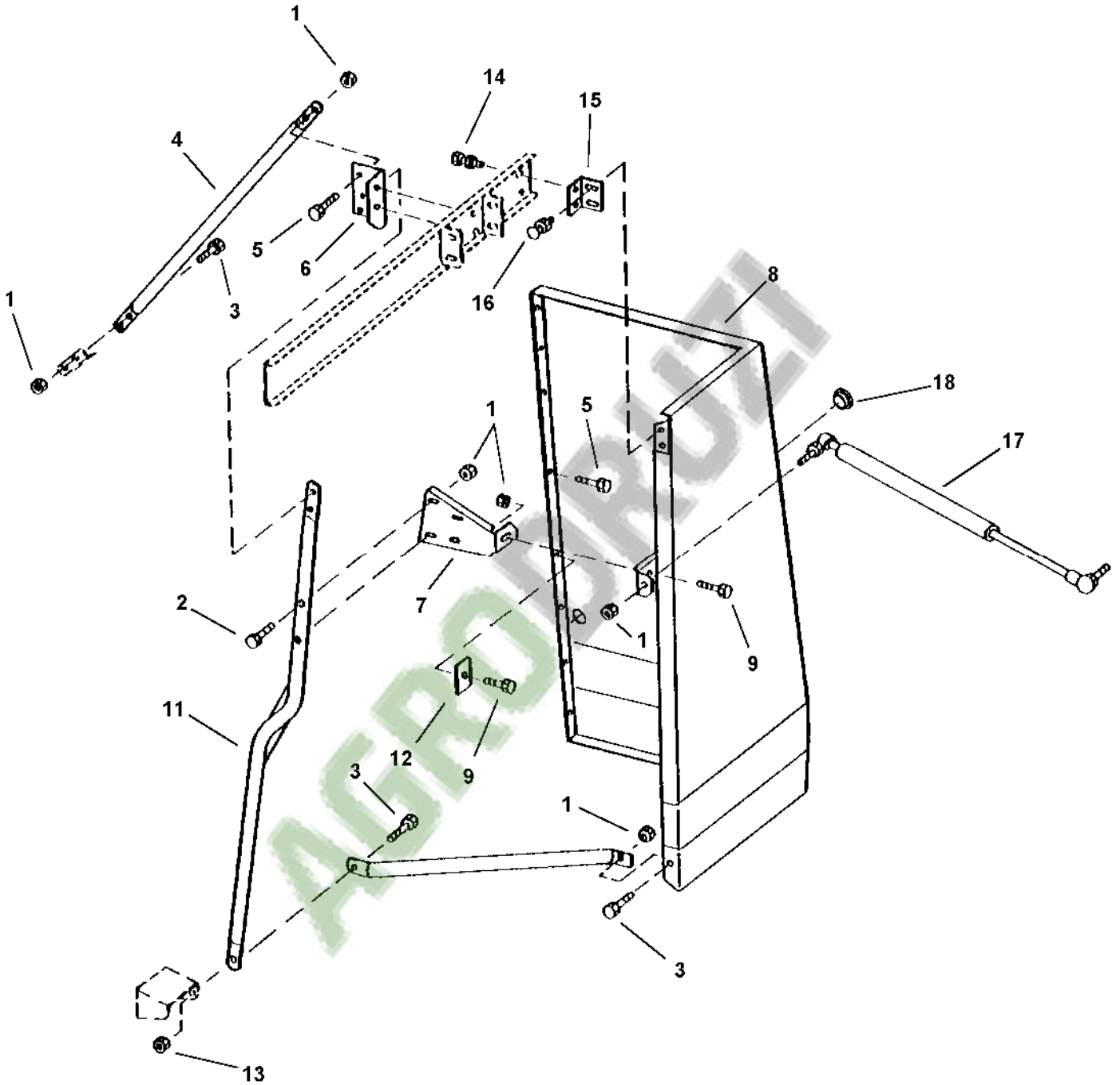


HP6743

436

7D19

L.H. REAR CORNER SHEET
HP7250 -UN-06NOV97



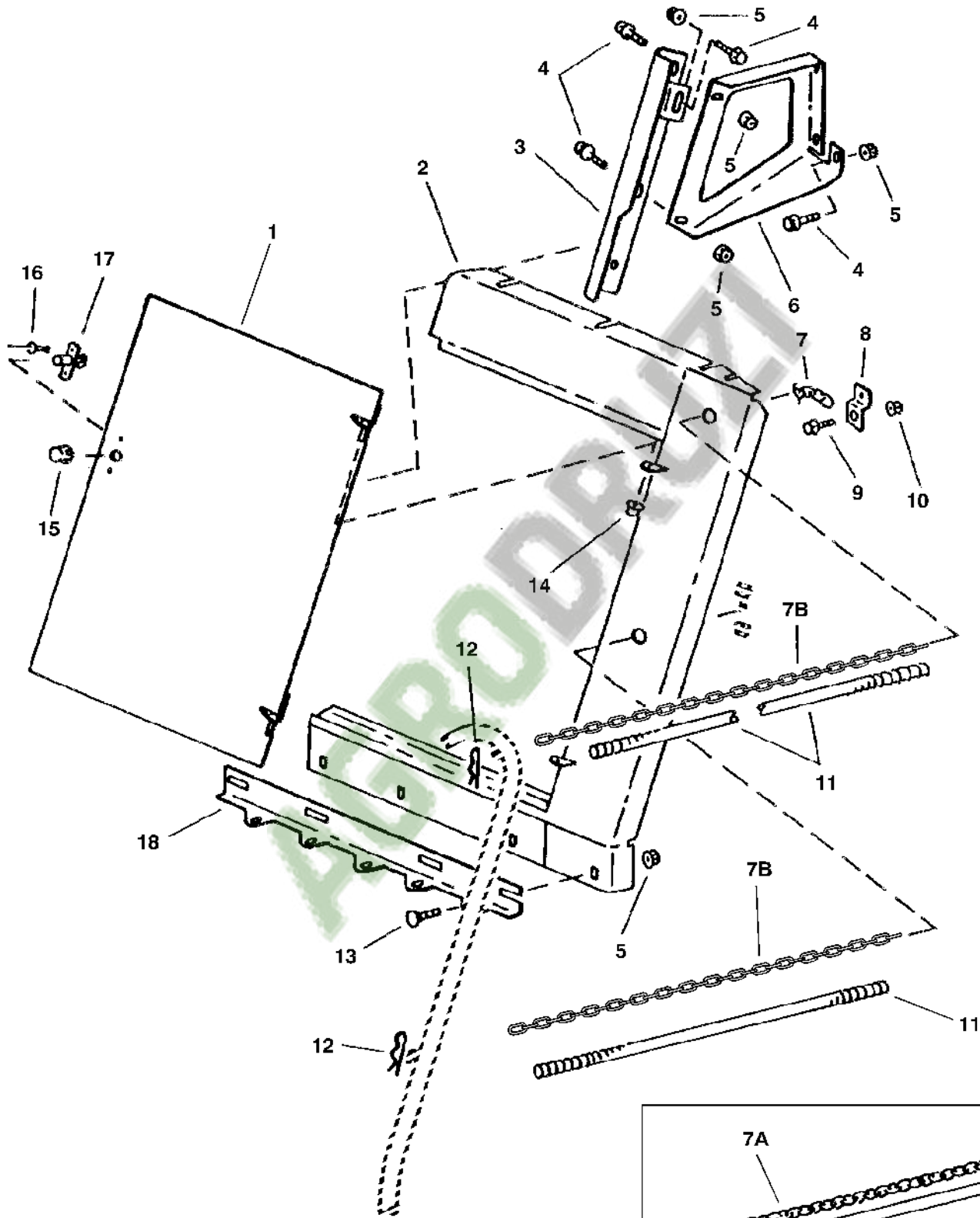
HP7250

437

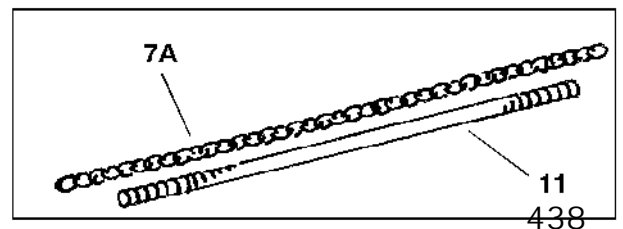
7D21

SEPARATOR SHELL

L.H. FRONT CORNER SHEET AND DOOR
HP6639 -UN-10FEB97



HP6639

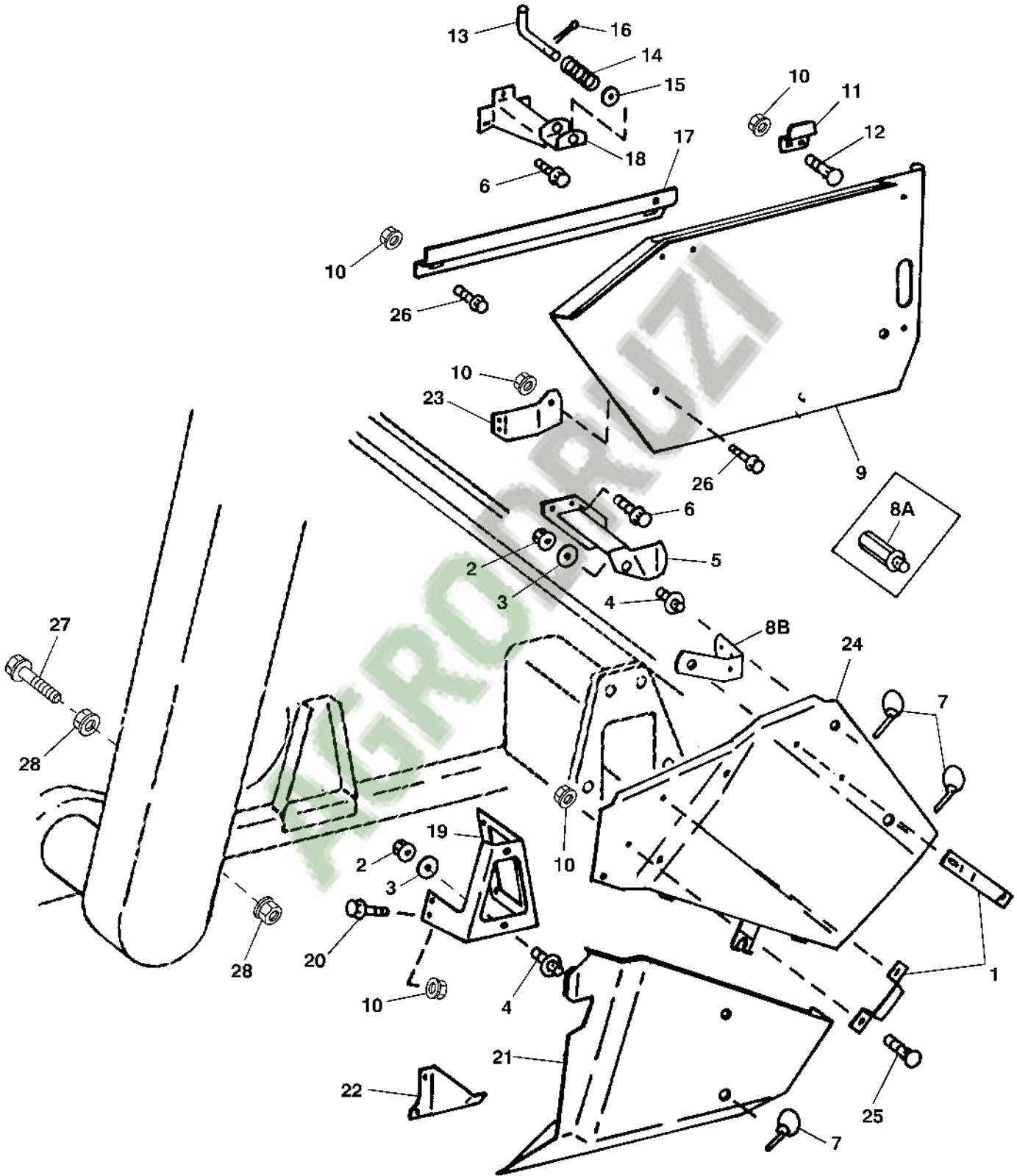


438

7D23

SEPARATOR SHELL

MUD SHIELDS (R.H. SIDE)
HP6721 -UN-14MAY97

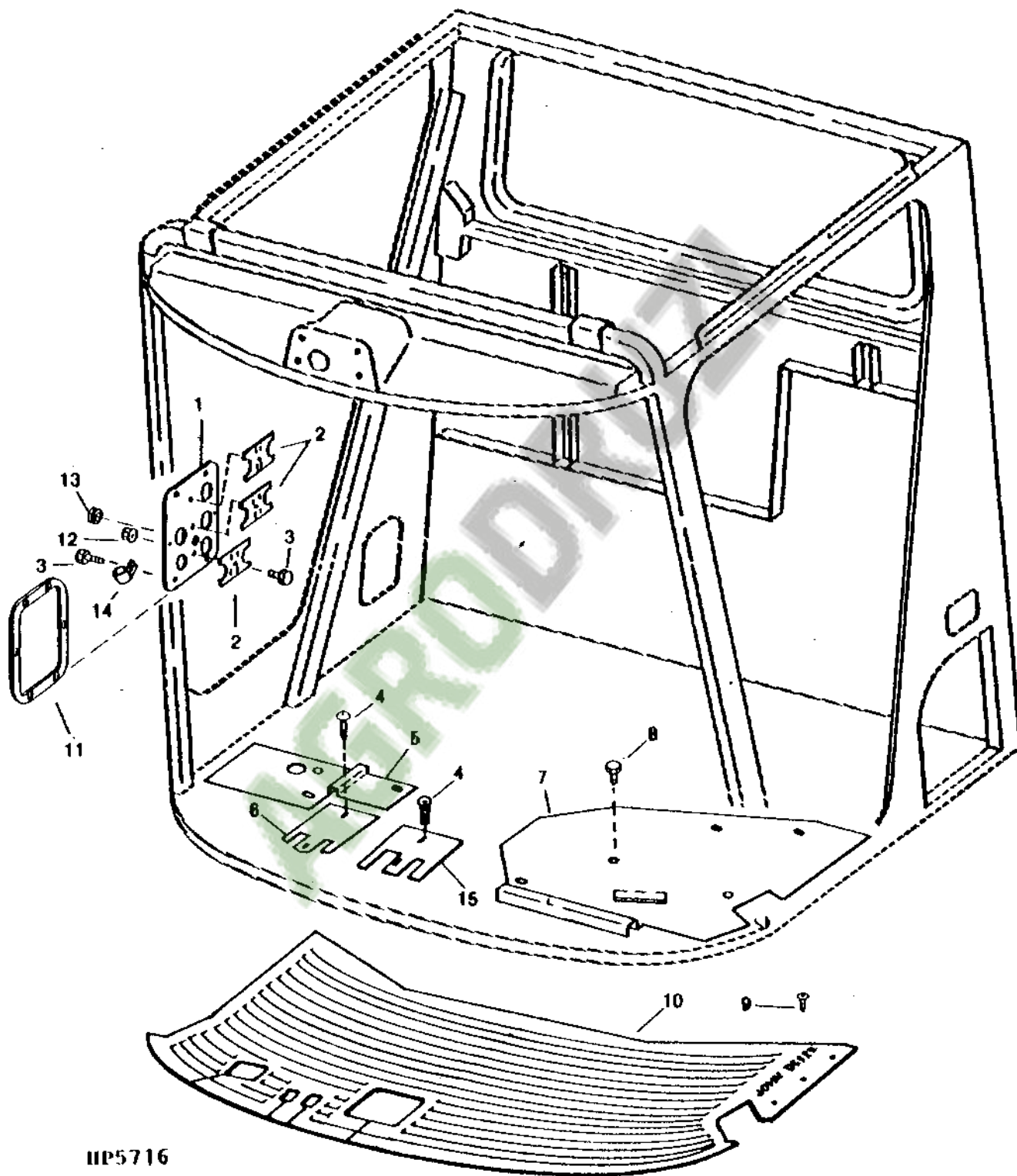


HP6721

439

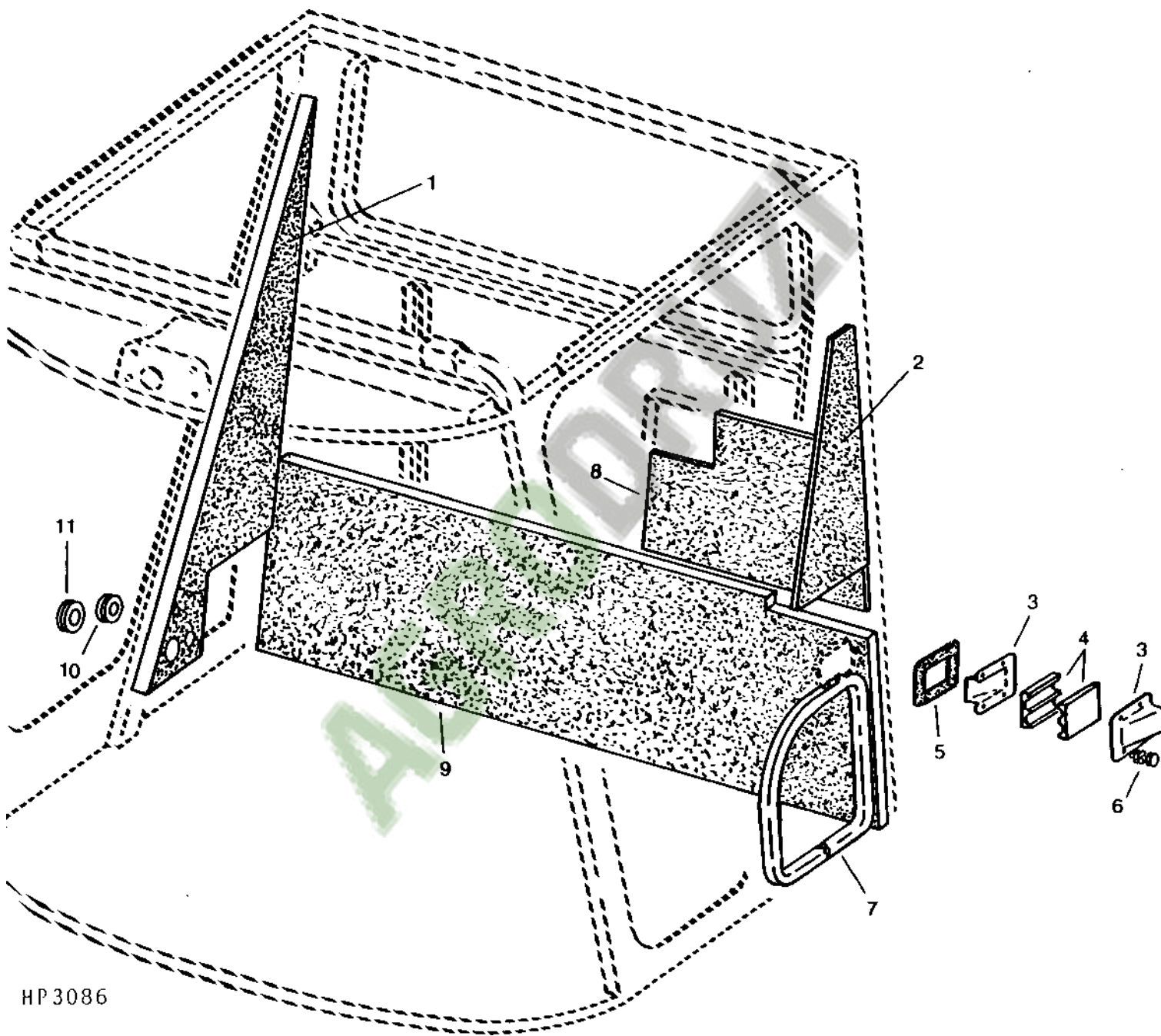
7E5

CAB PANELS AND FLOOR MAT
HP5716 -UN-01JAN94



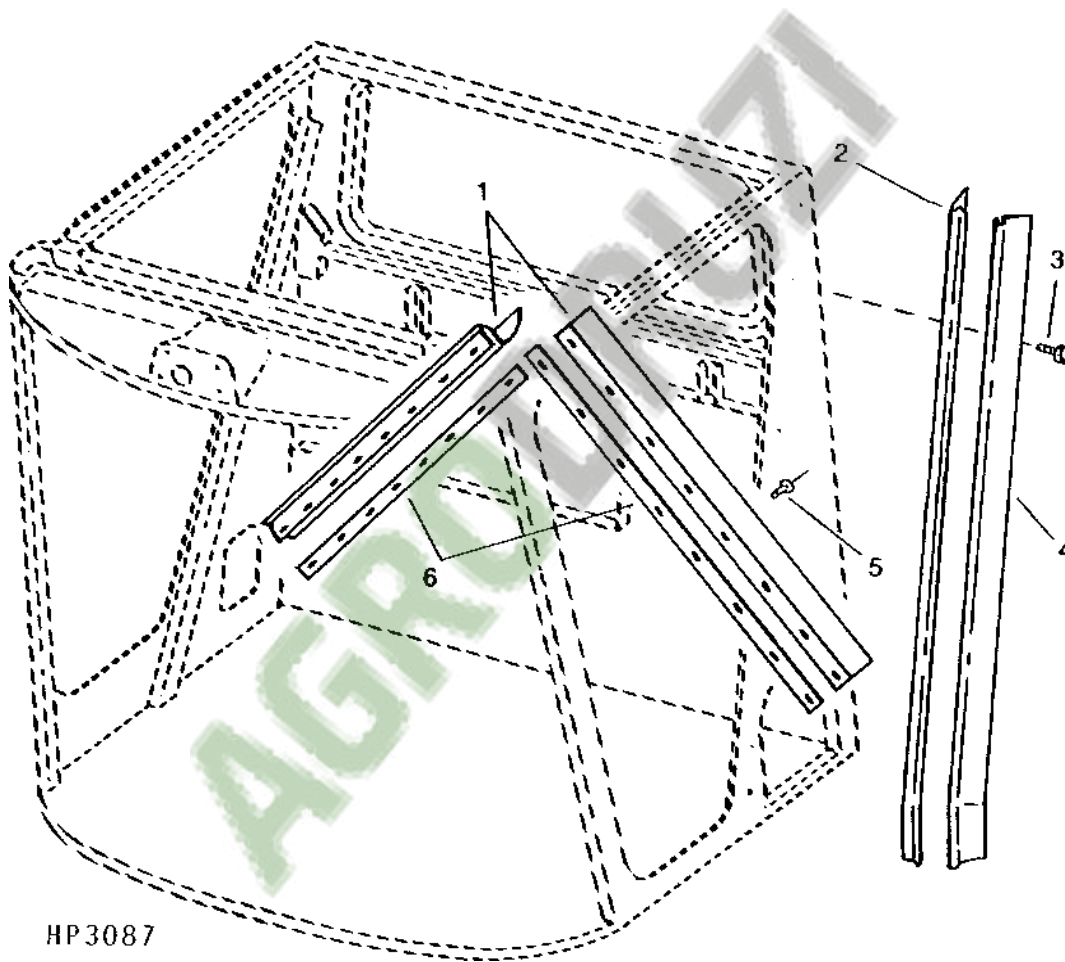
HP5716

CAB SOUND DEADENING, FOAM AND SEALS
HP3086 -UN-01JAN94



HP 3086

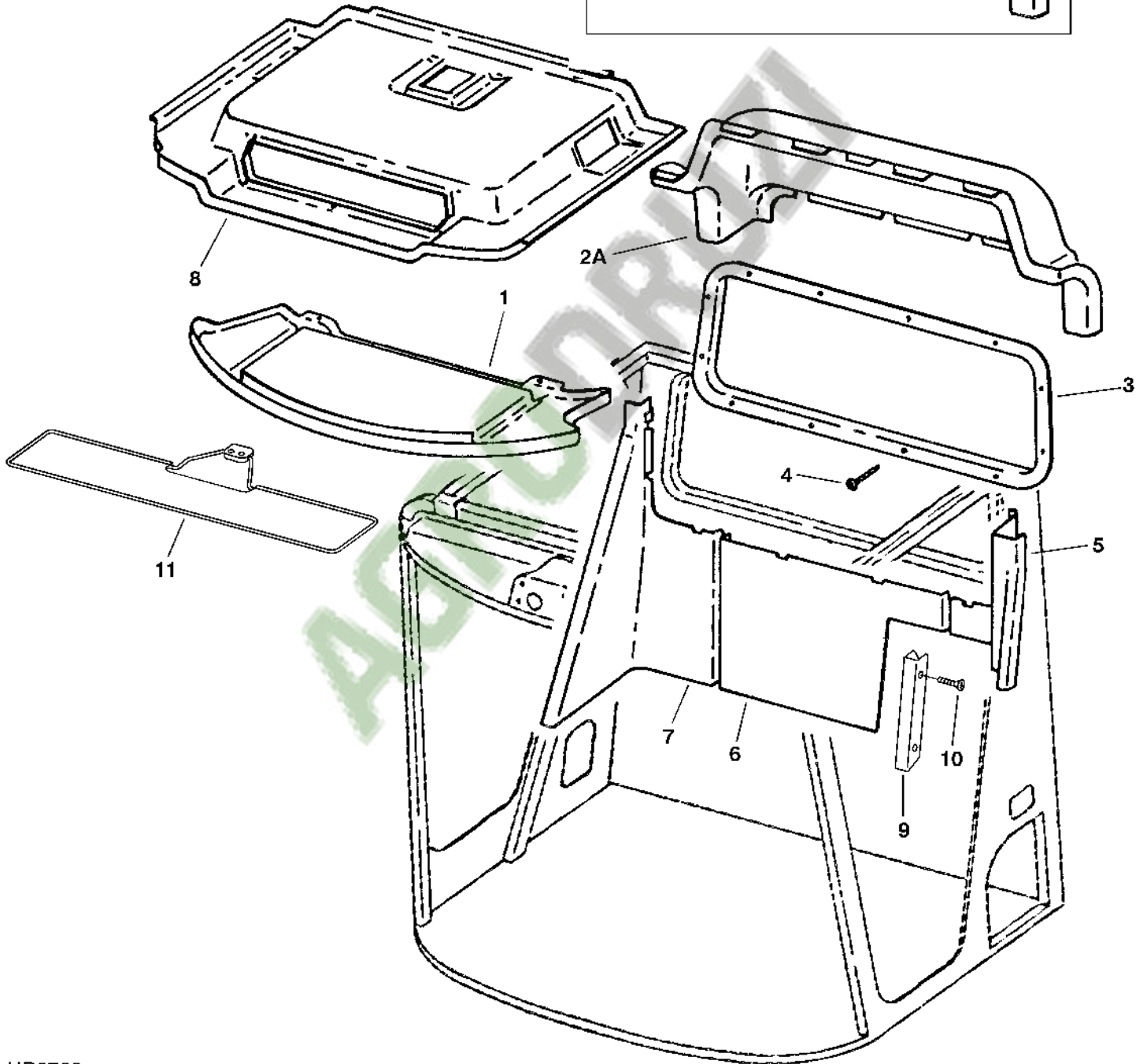
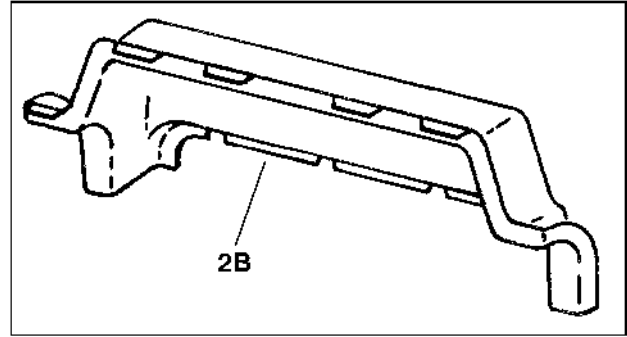
CAB REAR AND SIDE SEALS
HP3087 -UN-01JAN94



HP3087

7E11

CAB INTERIOR TRIM PANELS
HP6763 -UN-11JUL97

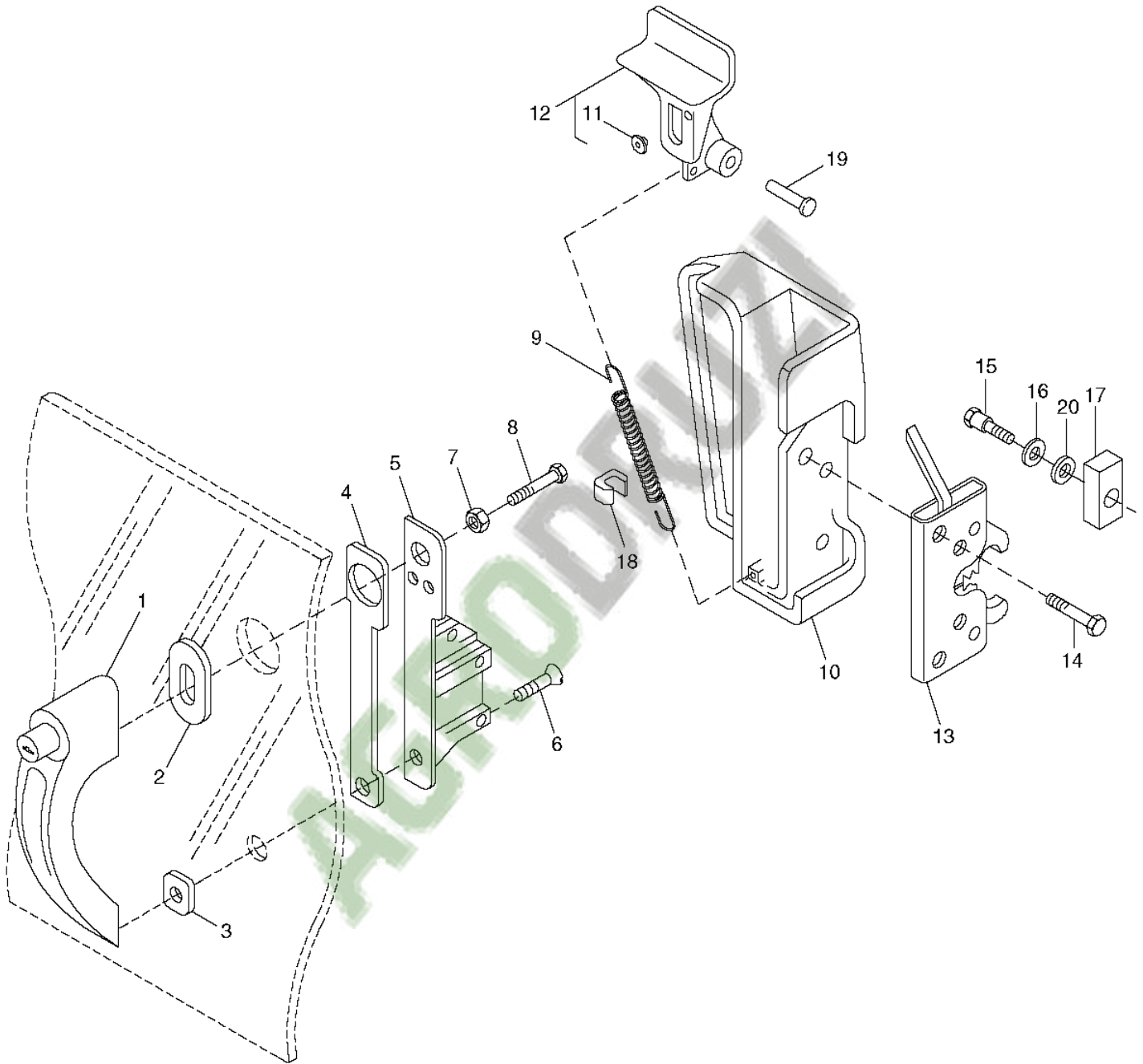


HP6763

443

7E13

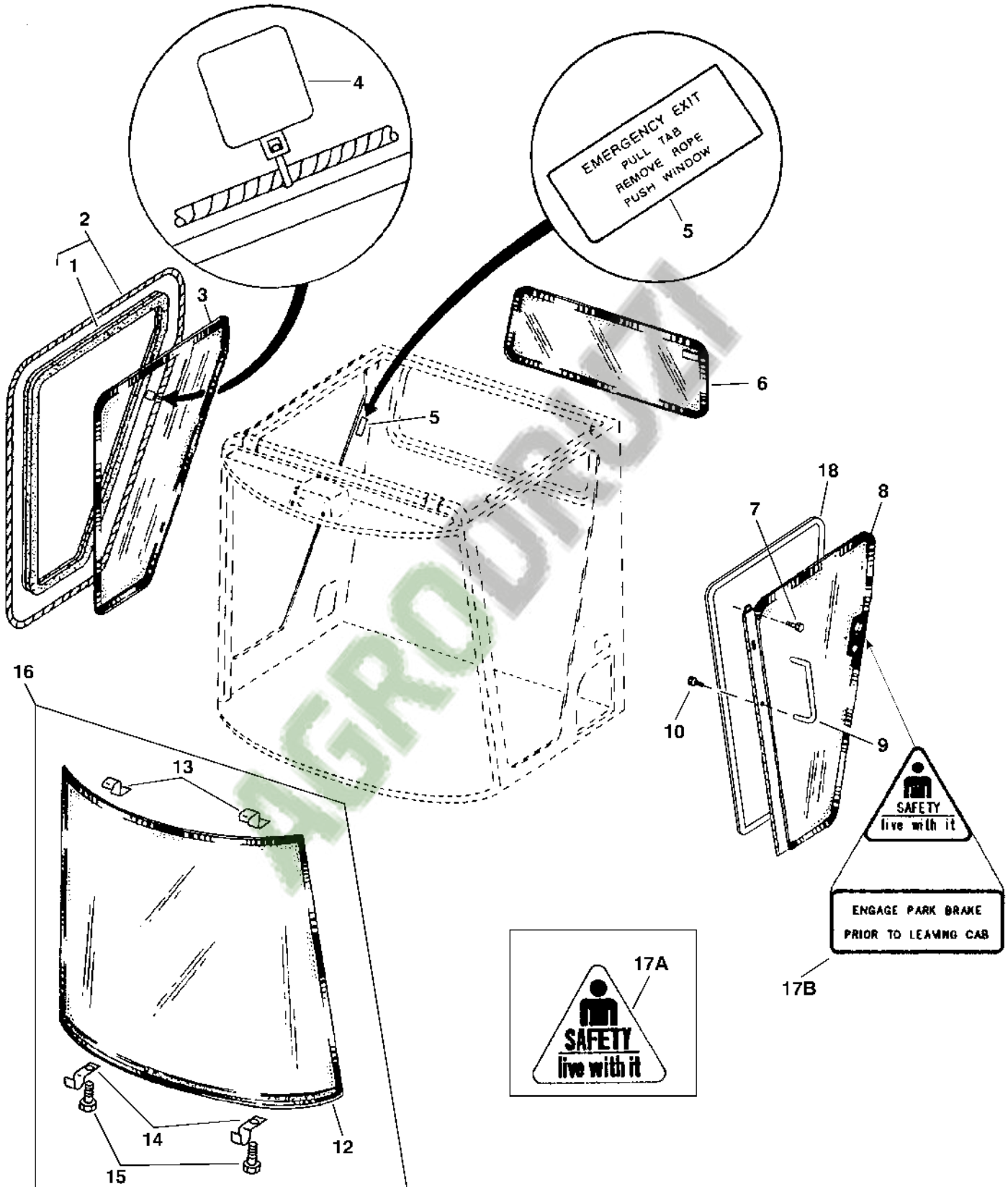
CAB DOOR LATCH
HP8513 -UN-23APR99



HP8513

7E15

CAB GLASS AND DOOR
HP6948 -UN-12SEP97

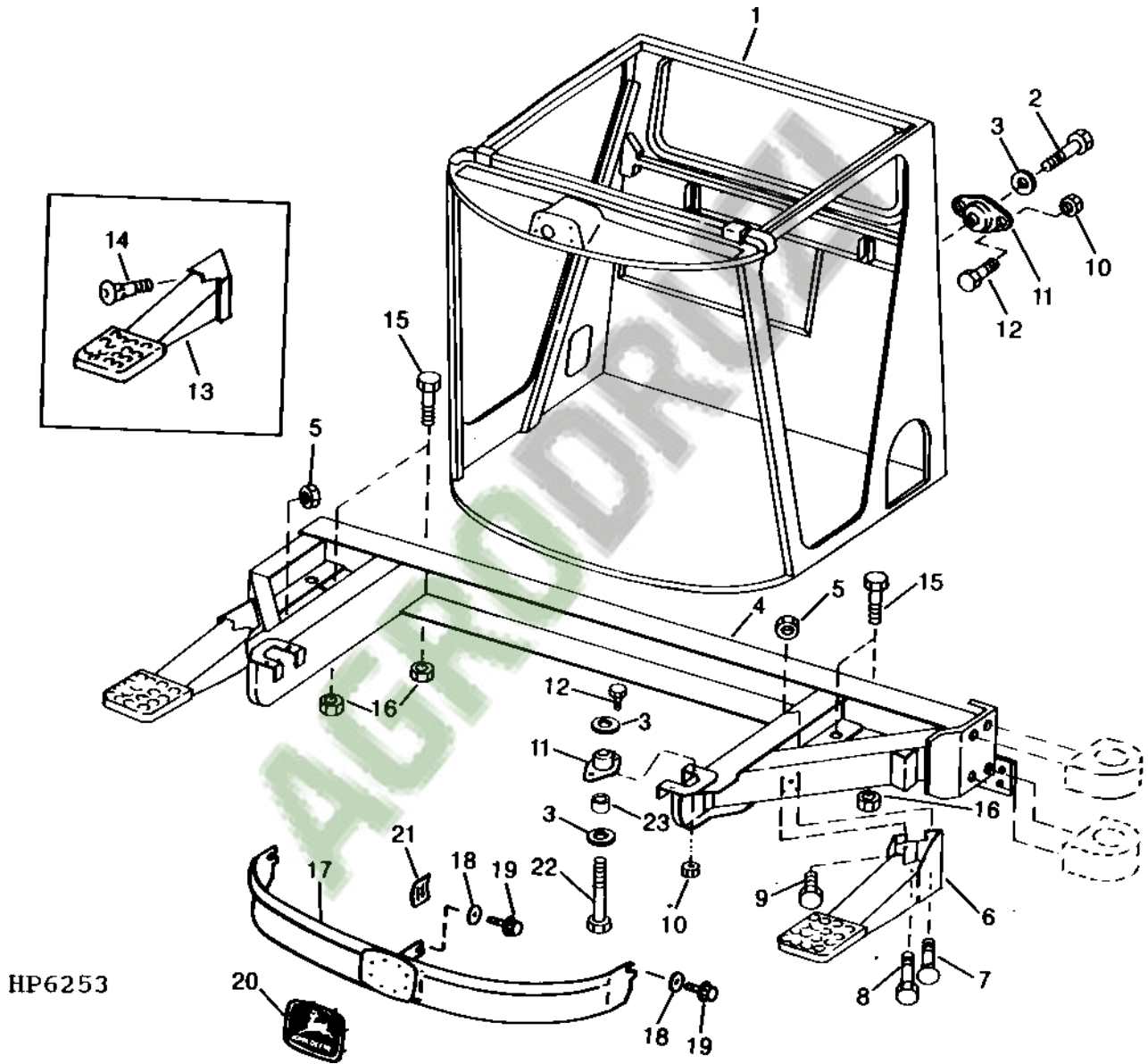


HP6948

445

7E17

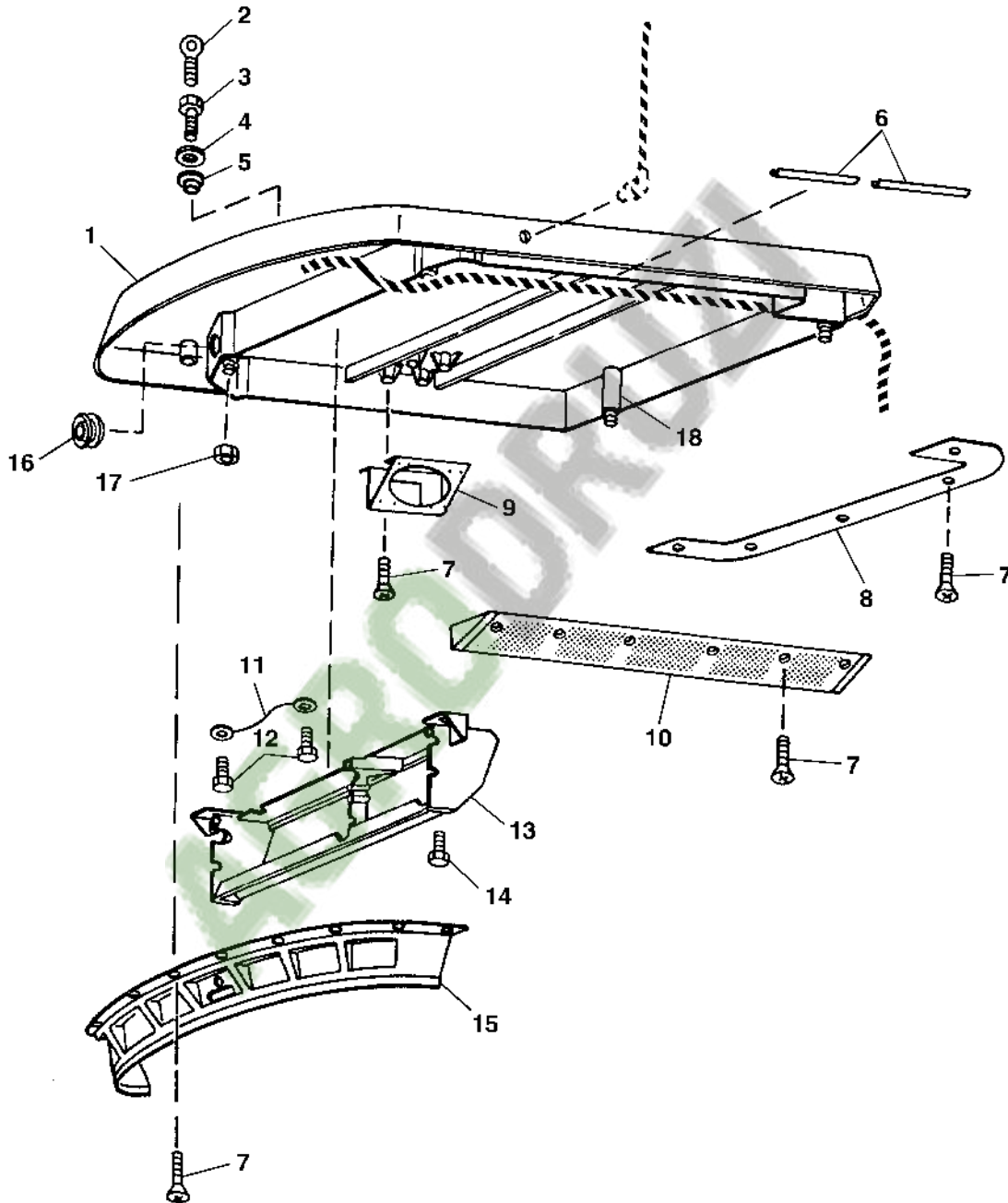
CAB FRAME AND SUPPORT
HP6253 -UN-04JAN96



HP6253

7E19

CAB ROOF AND SUPPORTS
HP6726 -UN-22MAY97



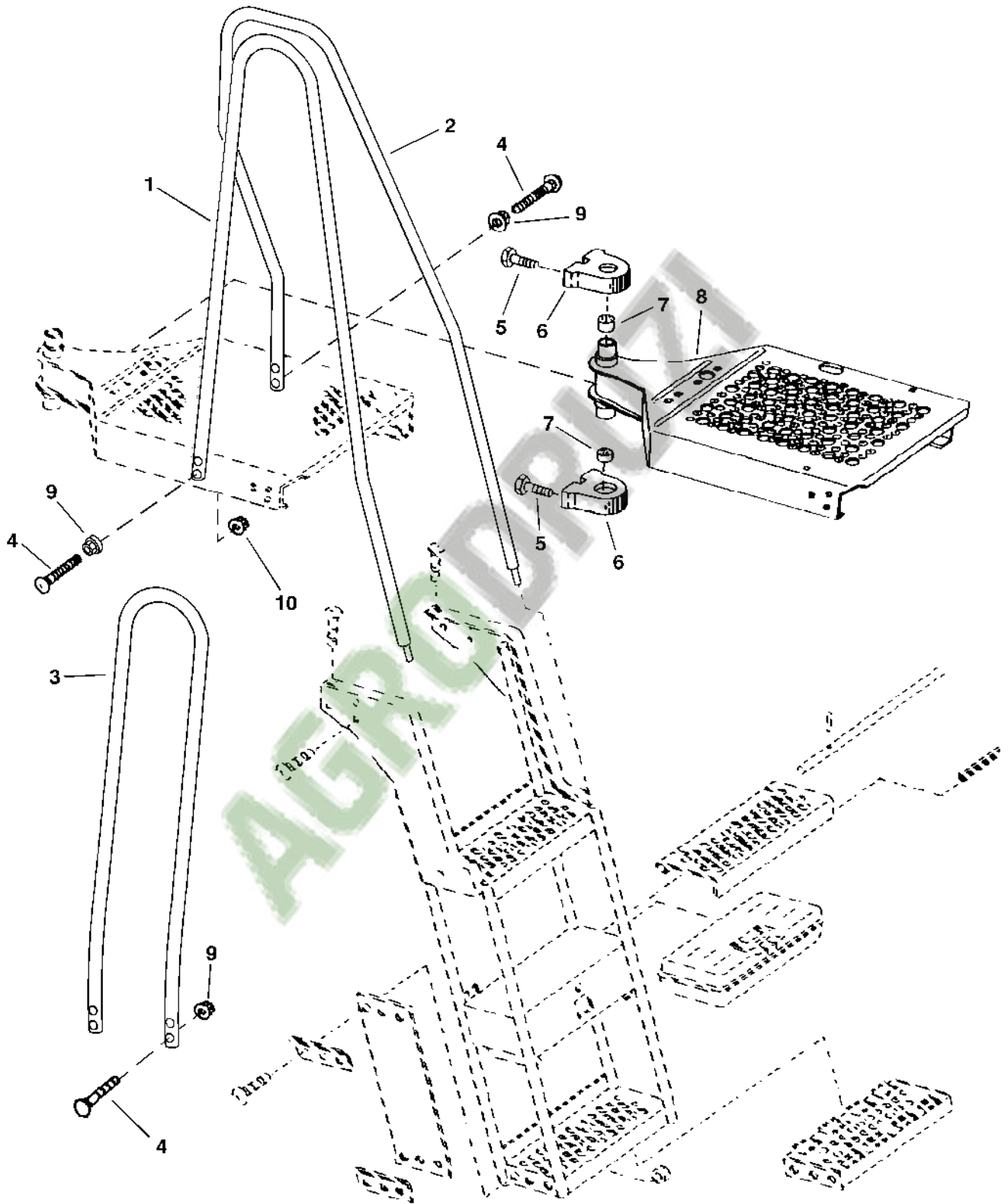
HP6726

447

7E21

OPERATOR'S PIVOTING PLATFORM AND HANDRAILS

HP6739 -UN-23JUN97

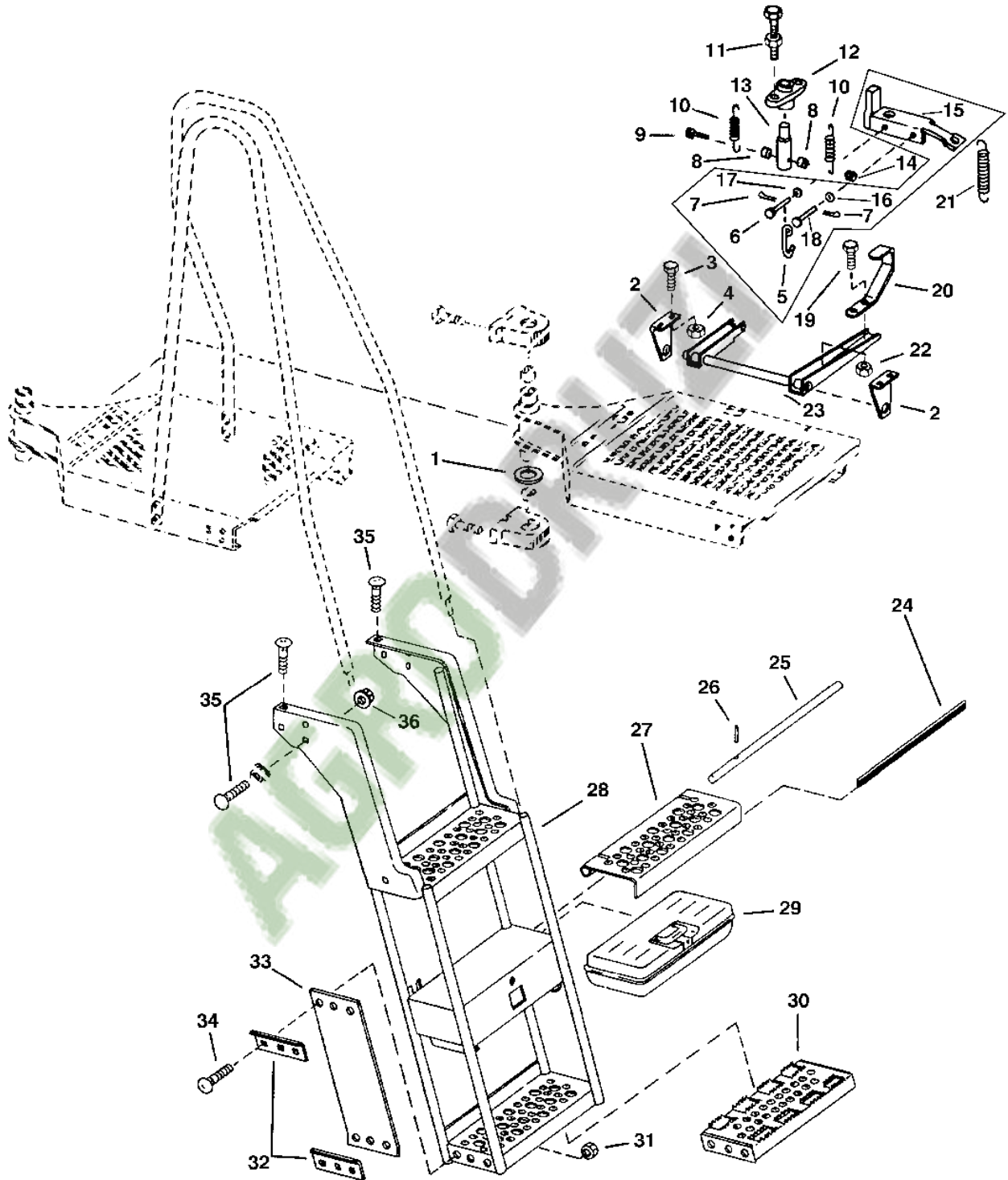


HP6739

448

7E23

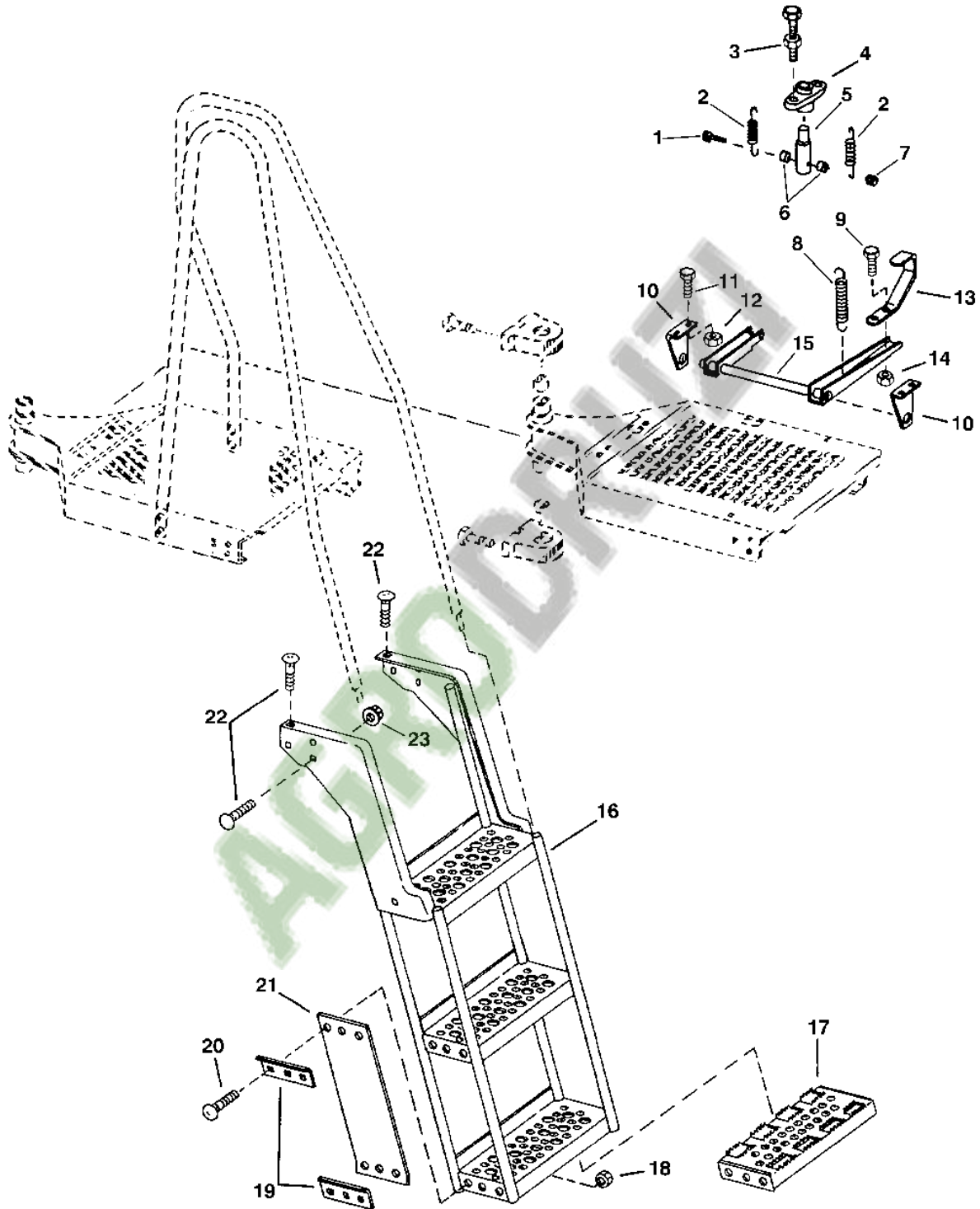
OPERATOR'S PLATFORM LADDER AND LATCH (-660200)
HP6505 -UN-15JUL96



HP6505

7F1

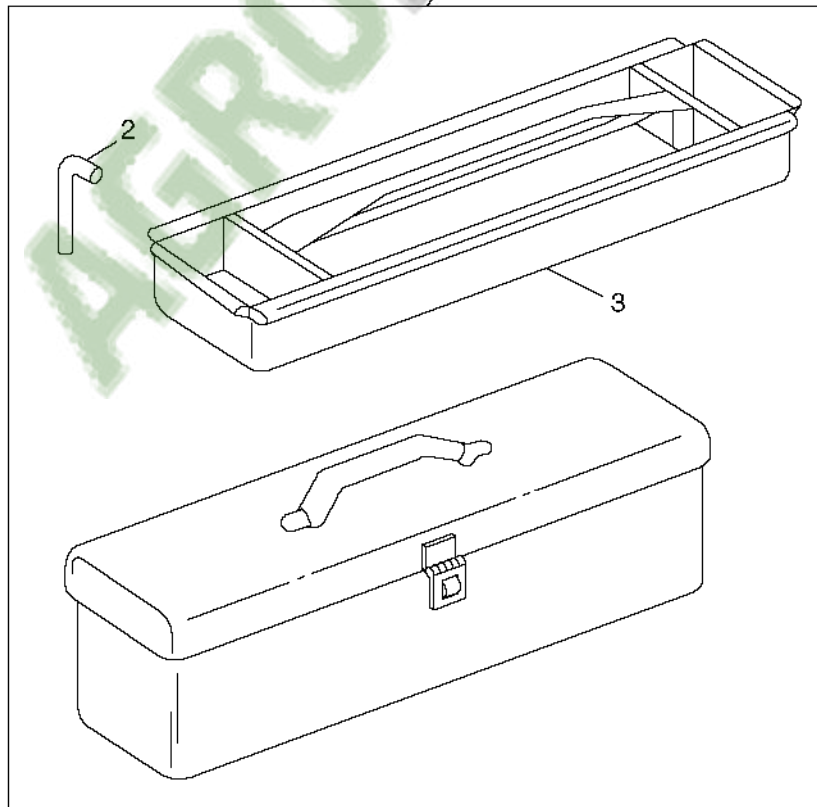
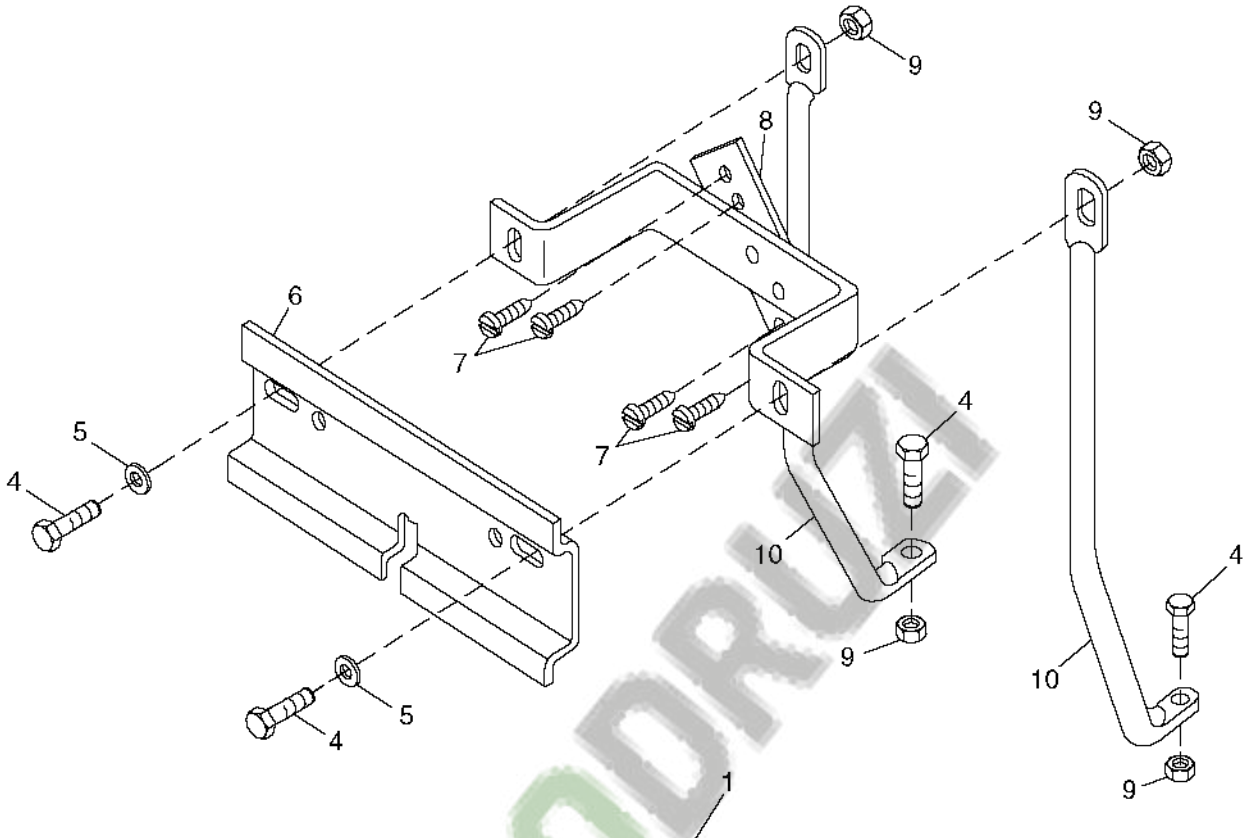
OPERATOR'S PLATFORM LADDER AND LATCH (660201-)
HP6506 -UN-15JUL96



HP6506

7F3

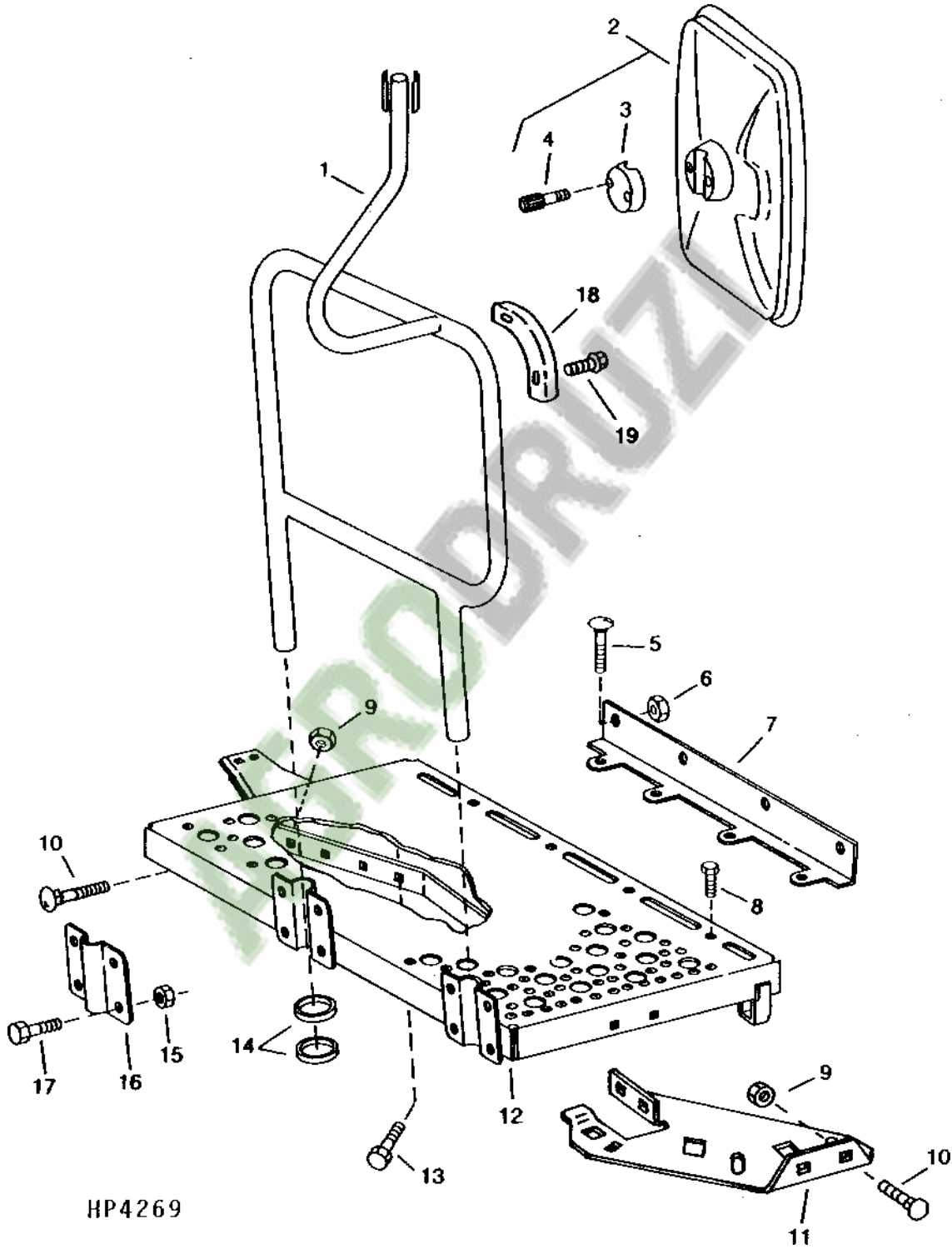
TOOL BOX
(660201-)
HP8490 -UN-13JUL99



HP8490

7F5

CAB LEFT-HAND LANDING AND MIRROR (-650200)
HP4269 -UN-01JAN94

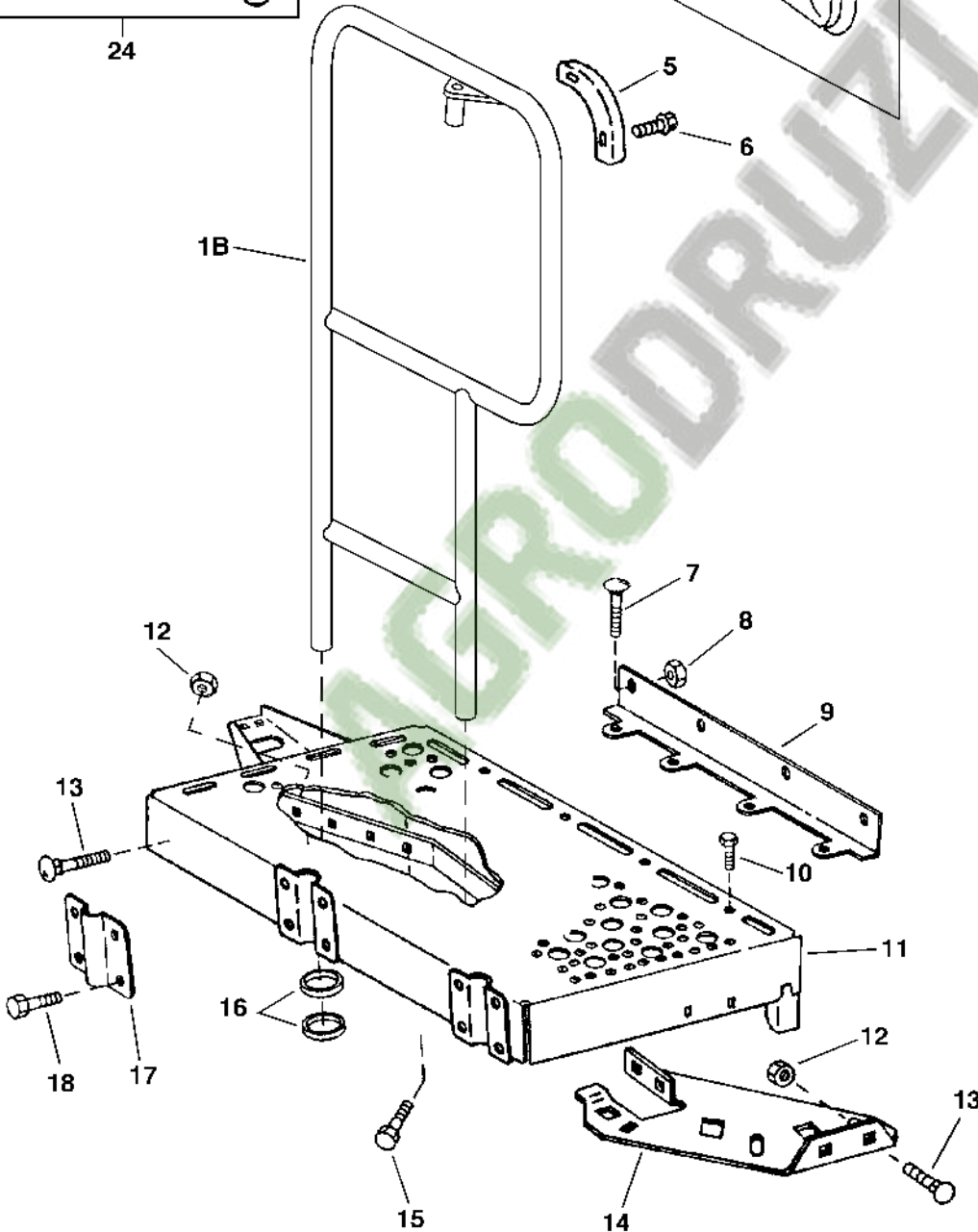
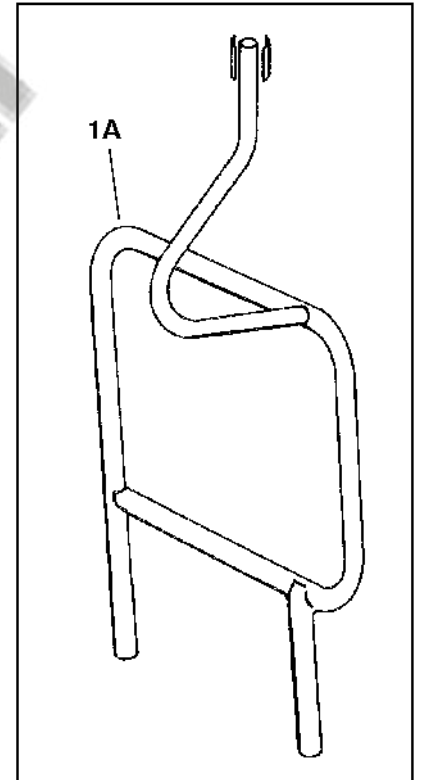
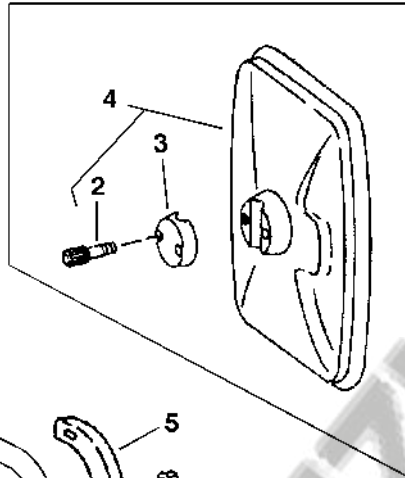
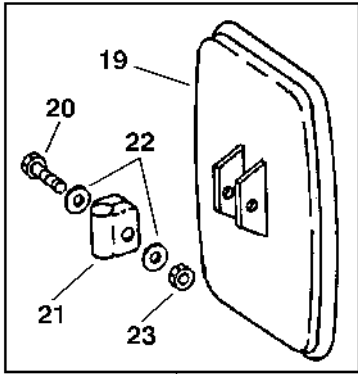


HP4269

7F7

CAB LEFT-HAND LANDING AND MIRROR

(650201-)
HP6740 -UN-23JUN97

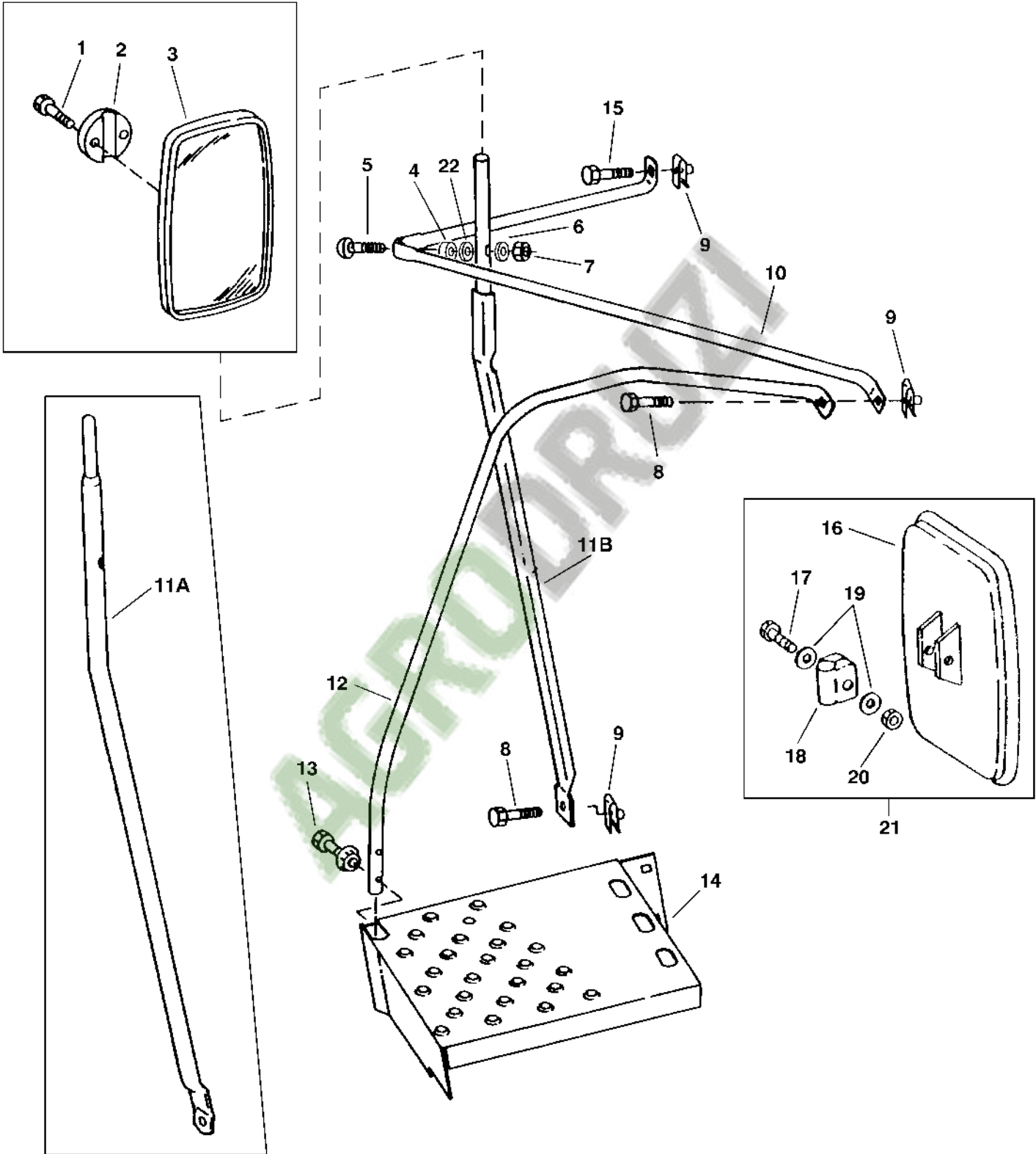


HP6740

453

7F9

CAB LANDING AND MIRROR (R.H.)
HP6741 -UN-21JAN98



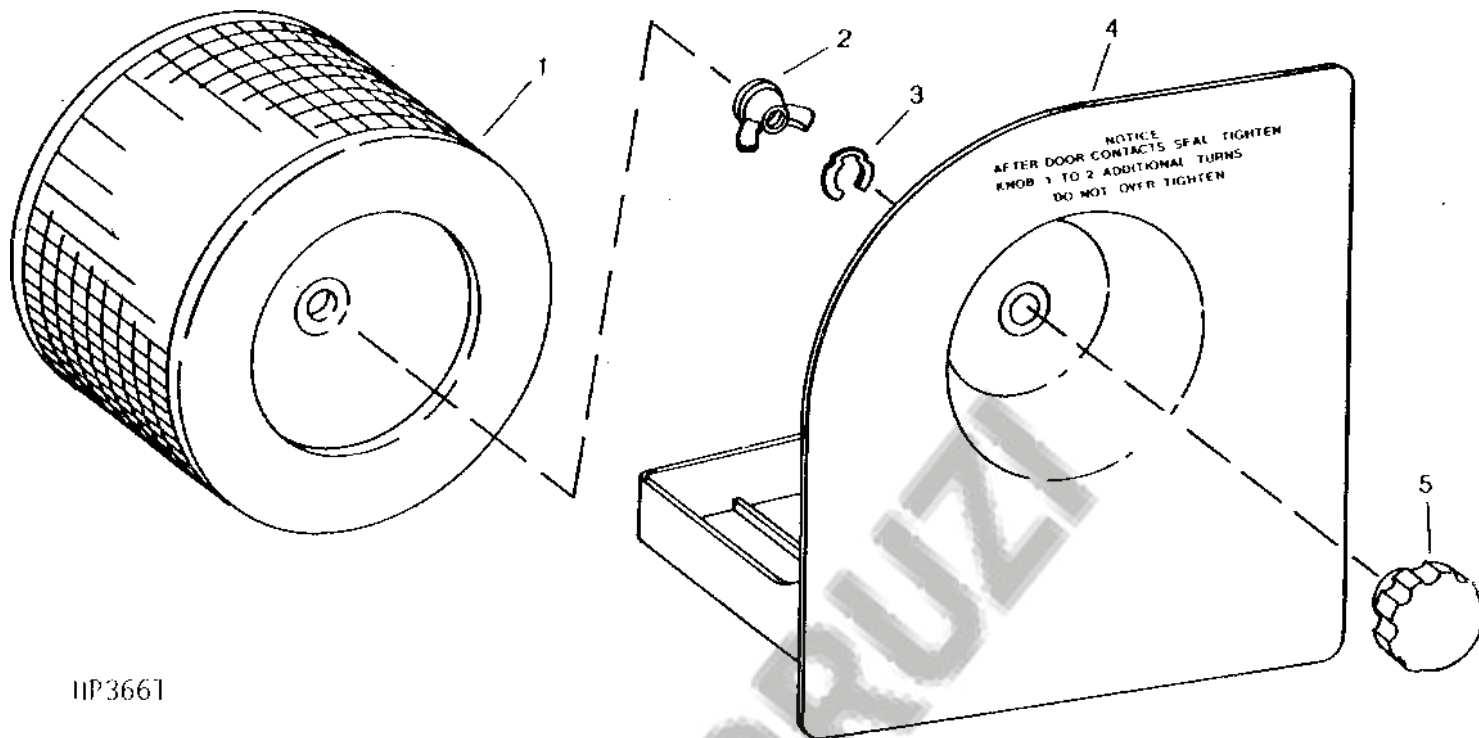
HP6741

454

7F11

OPERATOR'S STATION

CAB AIR FILTER AND HOUSING
HP3661 -UN-01JAN94



HP3661

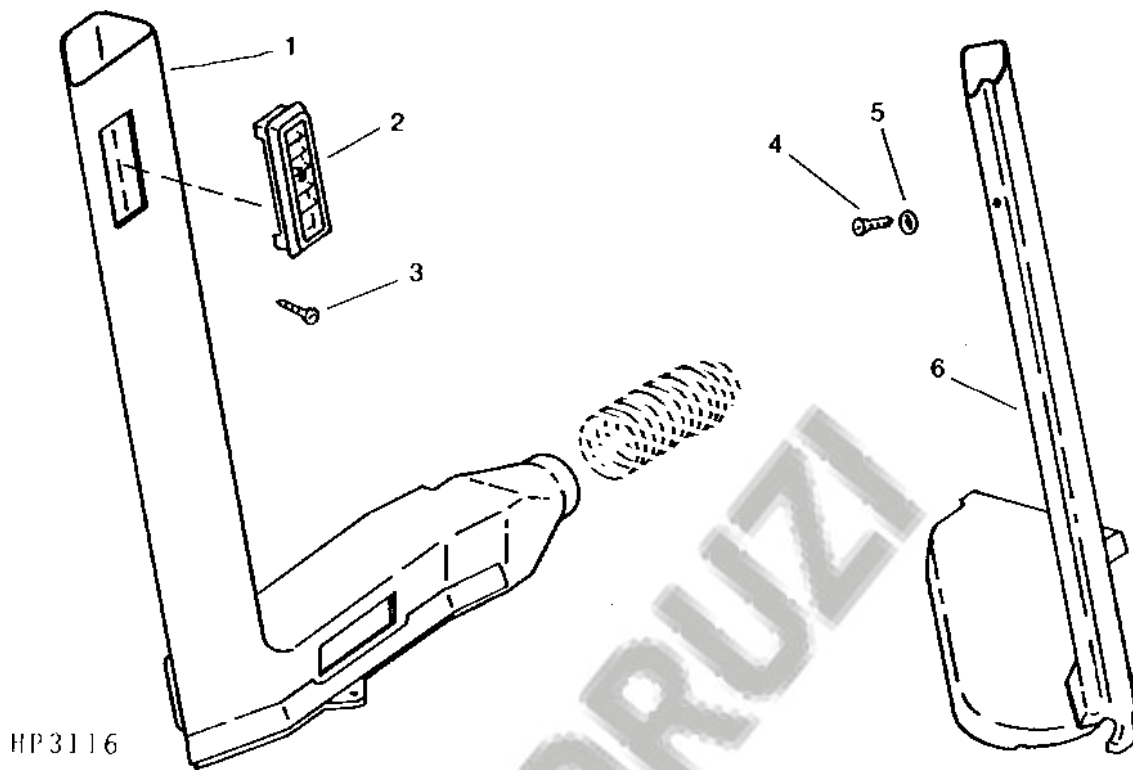
KEY	PART NO.	PART NAME	QTY	SERIAL NO.	REMARKS
				S H 9 5 0 0	

AGRODRUZI

7F12

AIR CONDITIONING AND HEATER DUCTS

HP3116 -UN-01JAN94



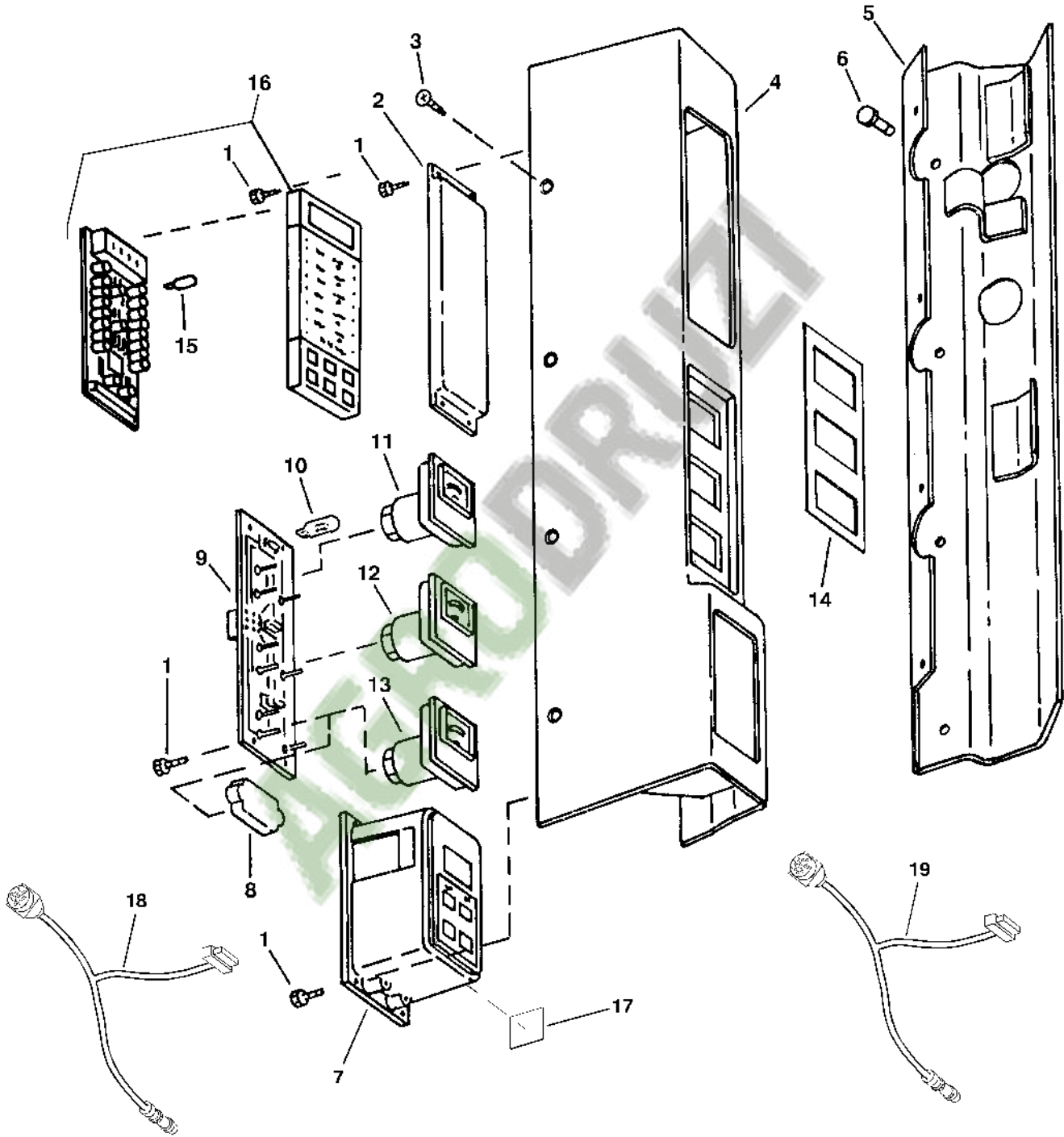
HP3116

KEY	PART NO.	PART NAME	QTY	SERIAL NO.	REMARKS
				S	
				H	
				9	
				5	
				0	
				0	

AGRODRUZI

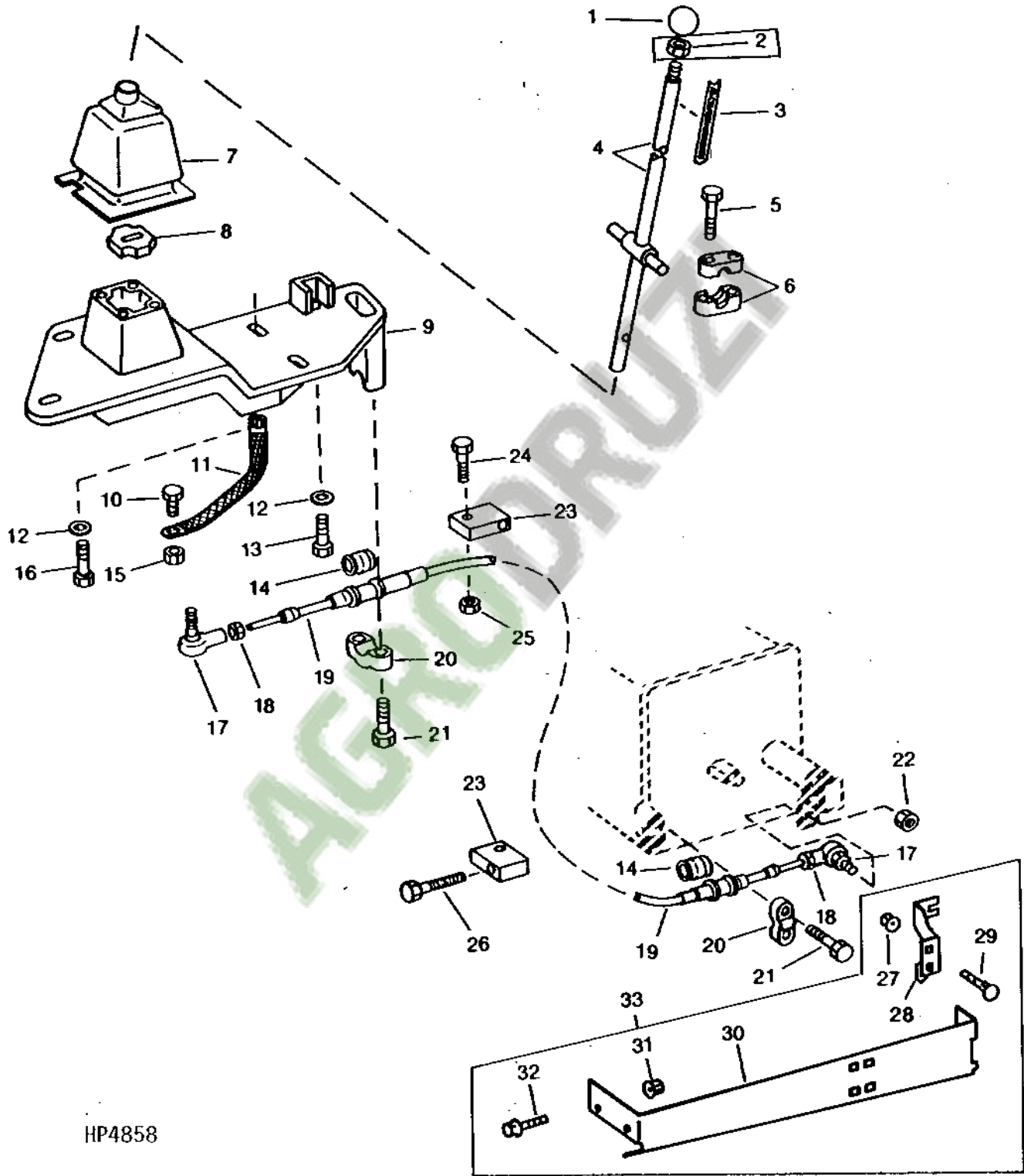
7F13

CAB POST INSTRUMENT PANEL
HP7510 -UN-06MAY98



7F15

GEARSHIFT LEVER AND LINKAGE
HP4858 -UN-01JAN94

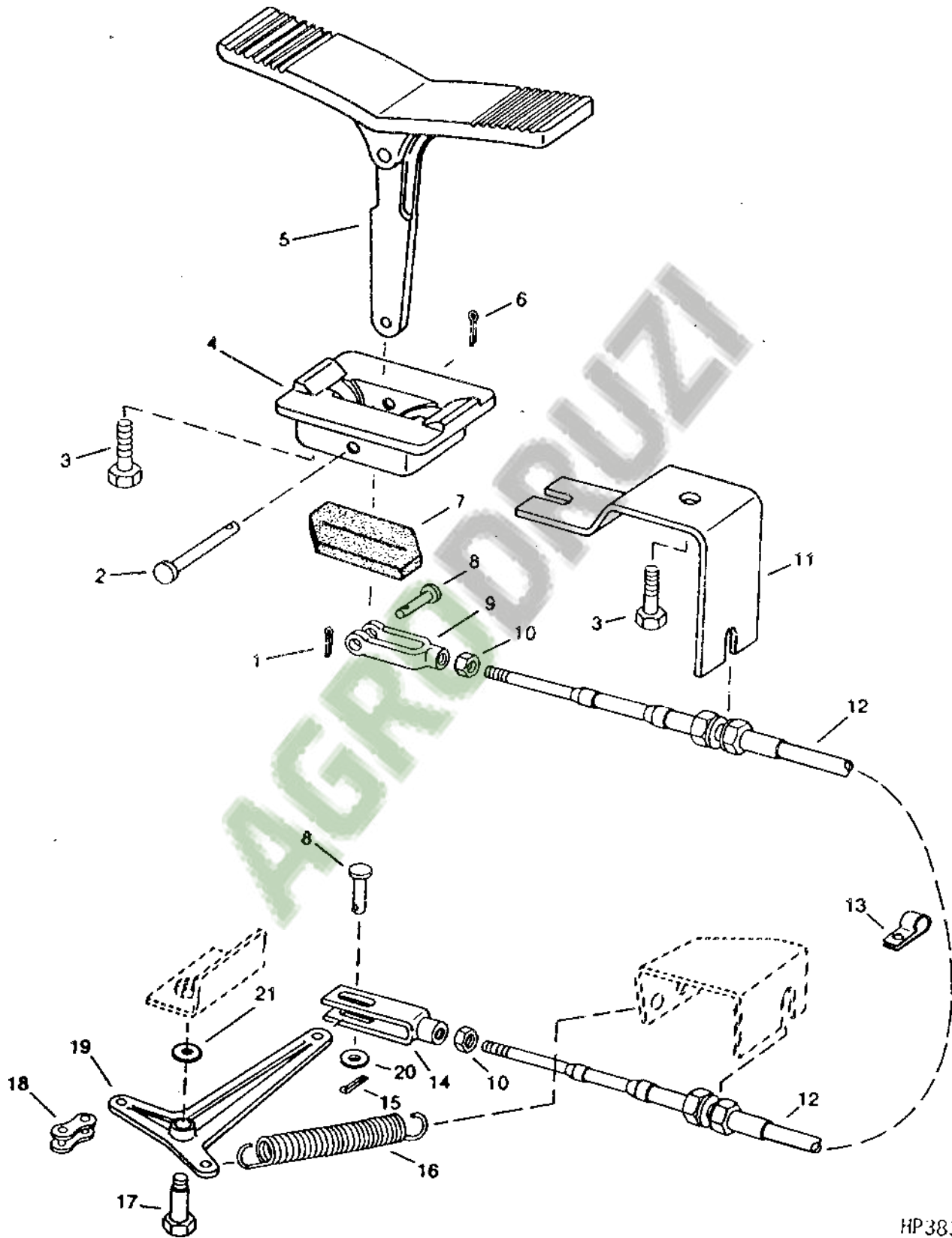


HP4858

7F17

FEEDER HOUSE REVERSER FOOT CONTROL

HP3833 -UN-01JAN94

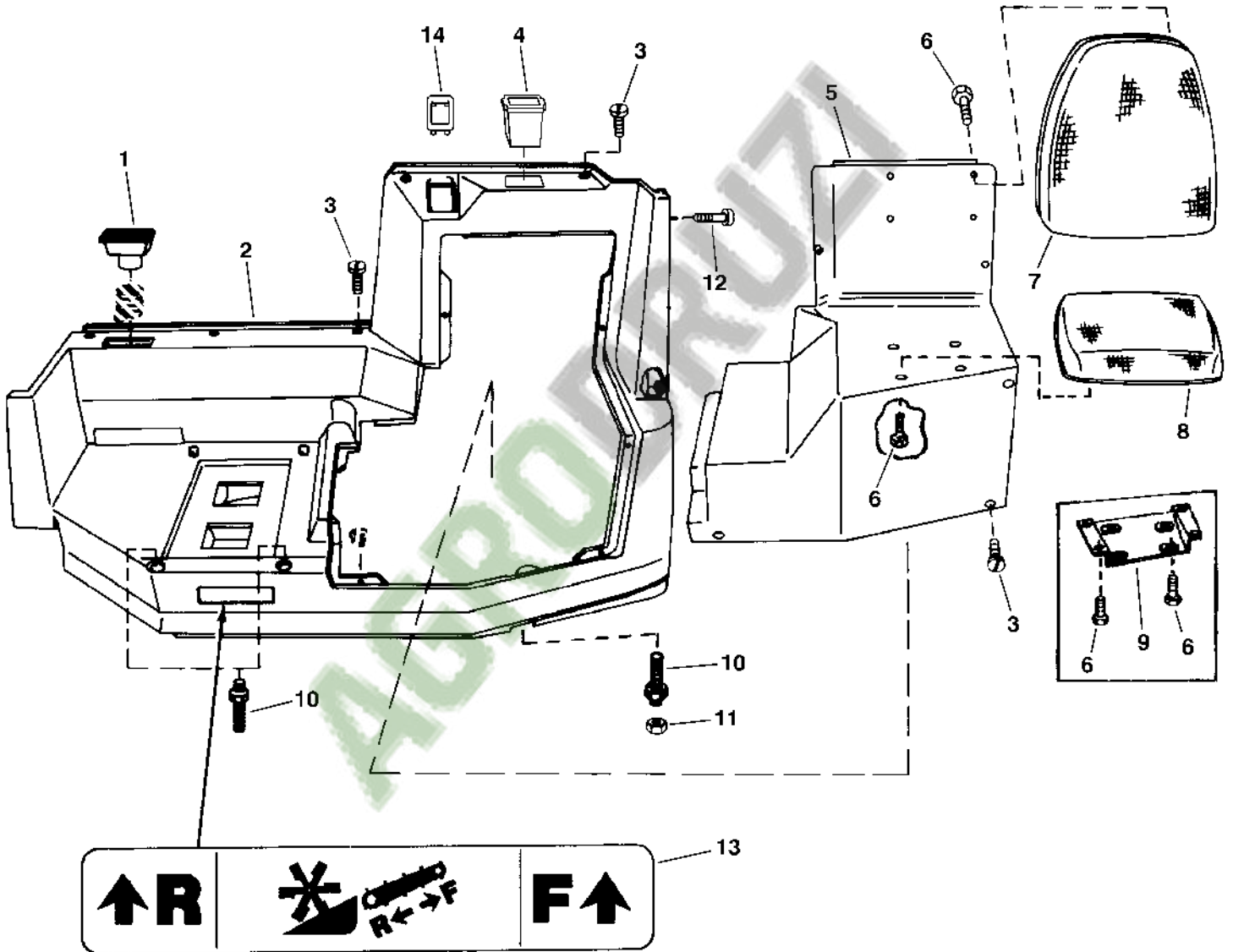


HP3833 459

7F19

OPERATOR'S STATION

SEAT SHROUDS AND TRAINING SEAT
HP7237 -UN-04DEC97

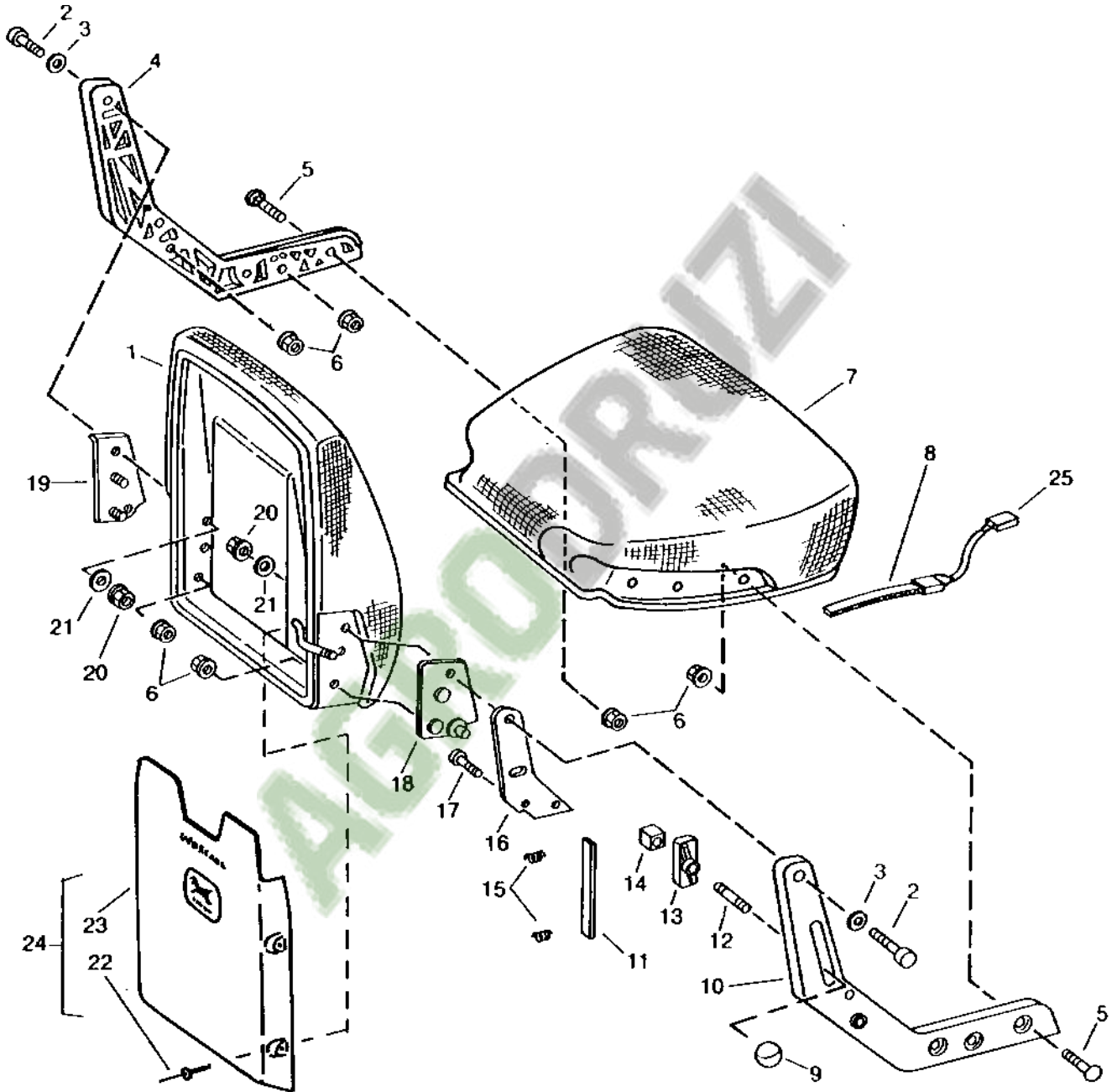


HP7237

460

7F21

OPERATOR'S SEAT AND BACKREST
HP3132 -UN-01JAN94



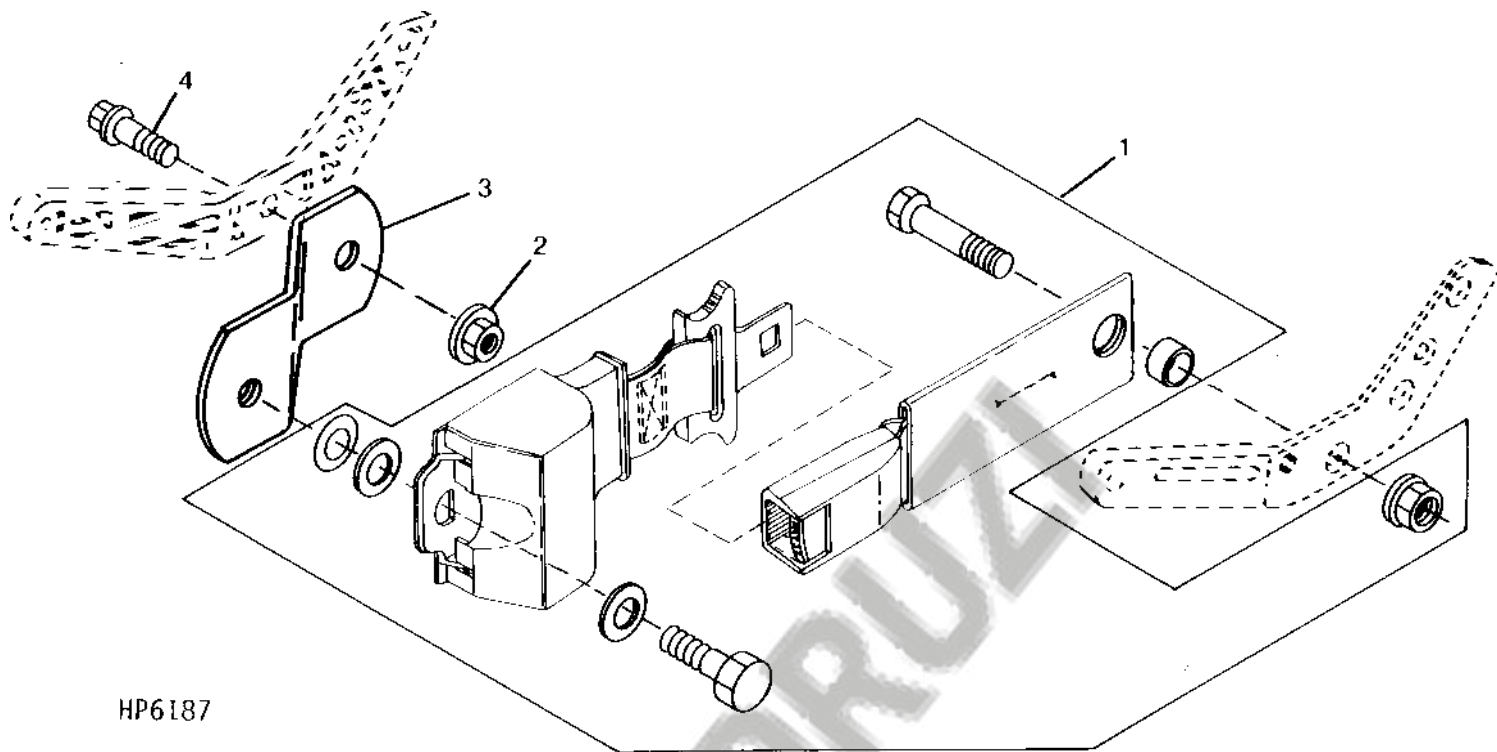
HP3132

7F23

OPERATOR'S STATION

OPERATOR'S SEAT SEATBELT

(665201-)
 HP6187 -UN-18OCT95



HP6187

KEY	PART NO.	PART NAME	QTY	SERIAL NO.	REMARKS
				S H 9 5 0 0	

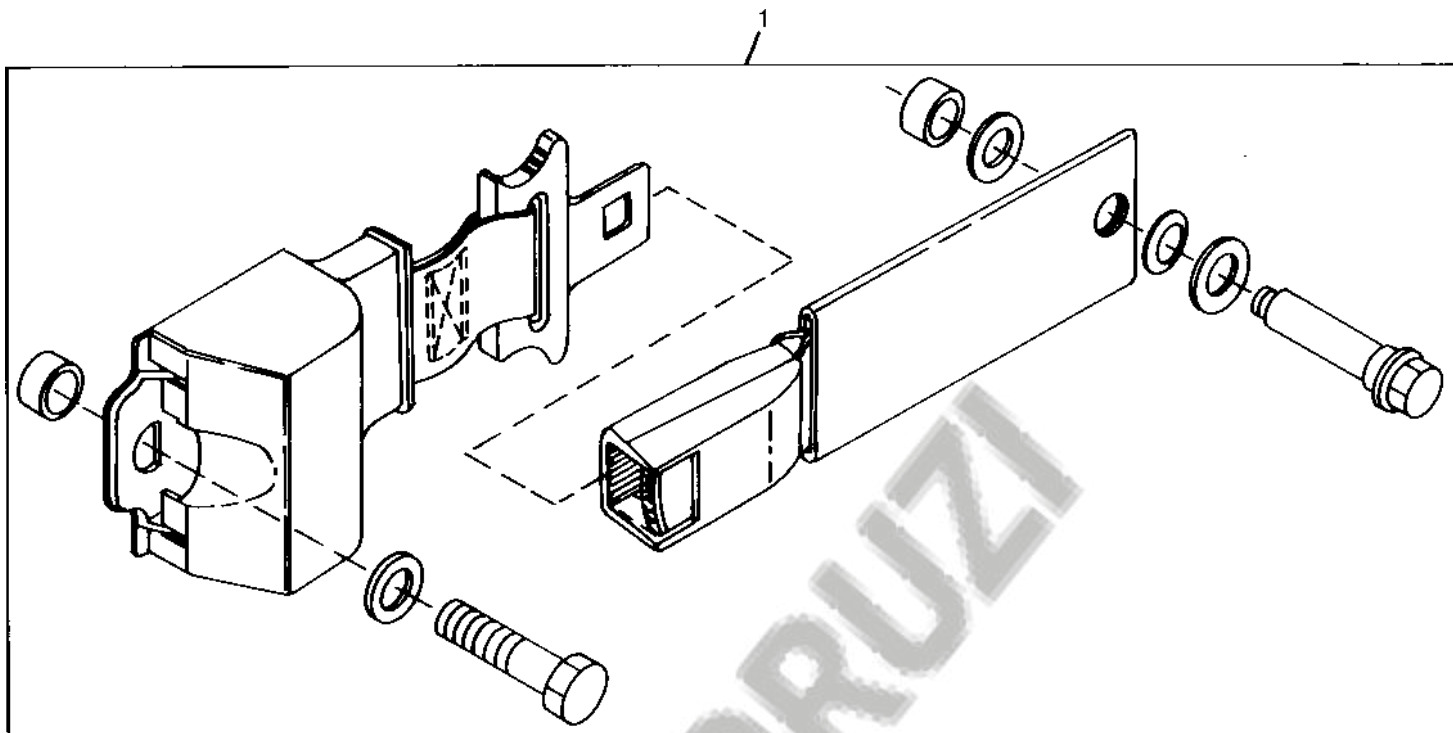
AGRODRUK

7F24

OPERATOR'S STATION

TRAINING SEAT SEATBELT

(665201-)
 HP6188 -UN-03OCT95

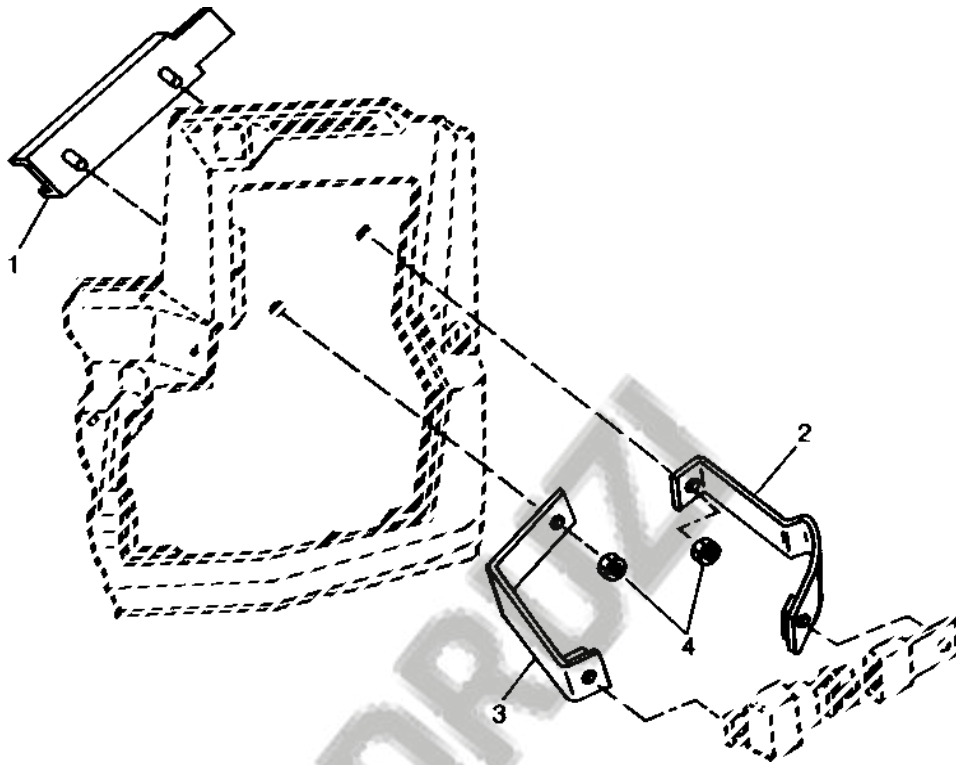


HP6188

KEY	PART NO.	PART NAME	QTY	SERIAL NO.	REMARKS
				S	
				H	
				9	
				5	
				0	
				0	

AGRODRUZI

RETROFIT SEAT BELT KIT
(FOR ALL MACHINES PRIOR TO 1996 MODEL YEAR)
 HP6265 -UN-23JAN96



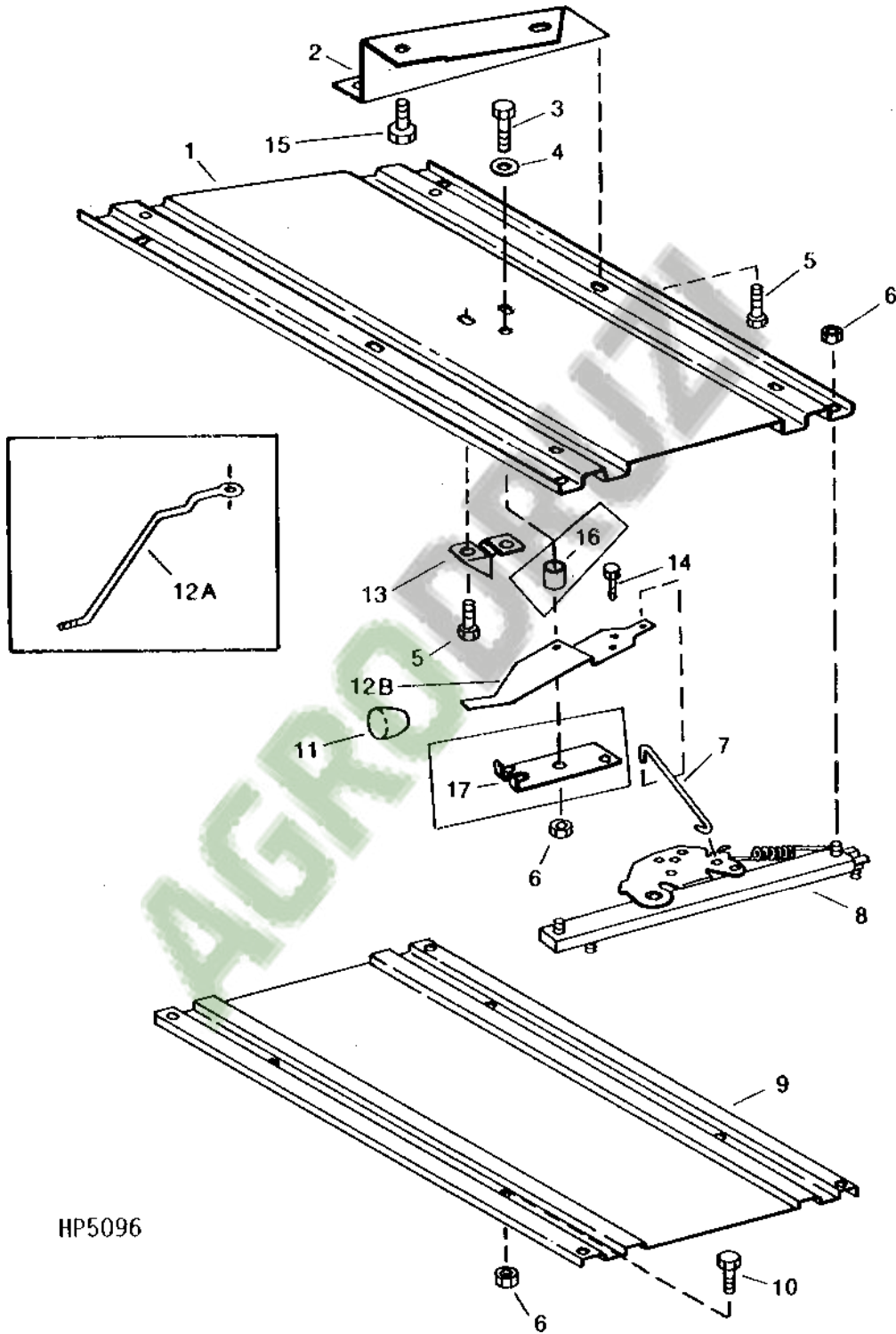
HP6265

KEY	PART NO.	PART NAME	QTY	SERIAL NO.	REMARKS
				S H 9 5 0 0	

AGRODRIVE

7G2

SEAT ADJUST FORE-AND-AFT
HP5096 -UN-01JAN94

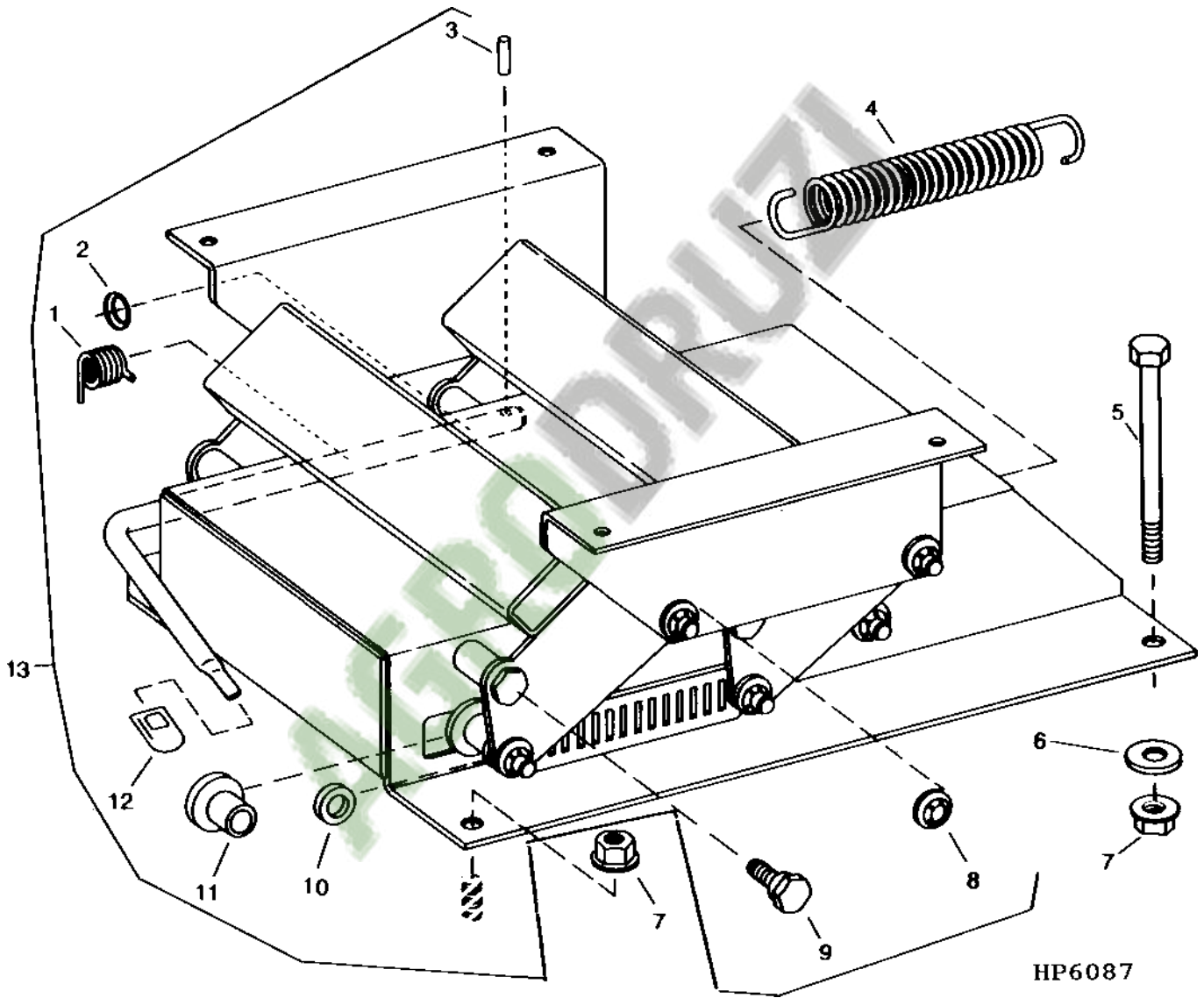


HP5096

7G4

OPERATOR'S STATION

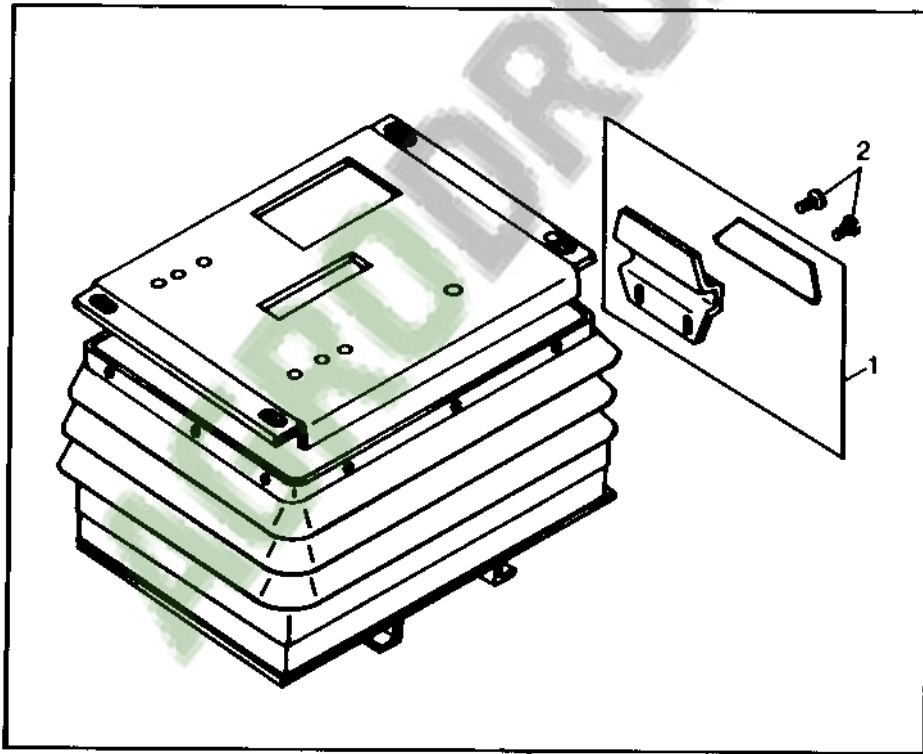
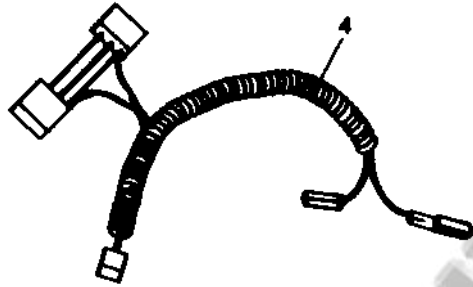
CAB SEAT HEIGHT ADJUSTER (VERTICAL CONTROL)
HP6087 -UN-07JUN95



HP6087

7G6

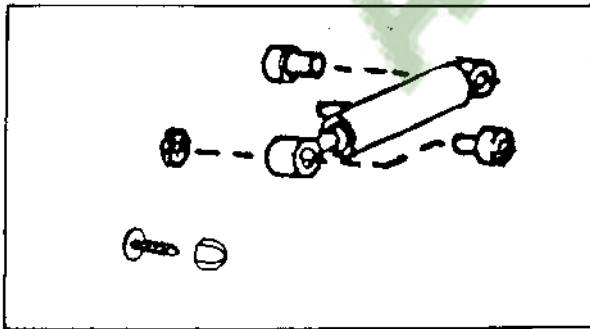
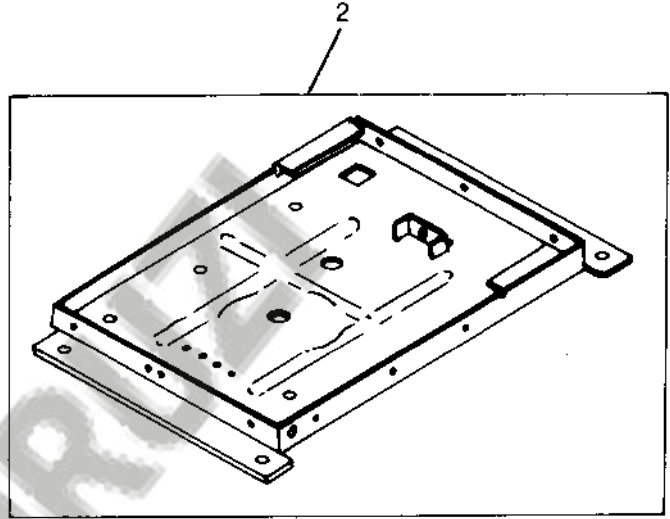
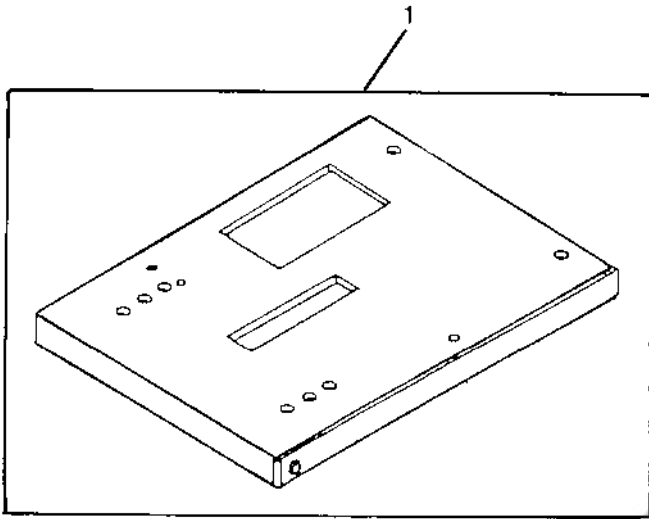
AIR SEAT SUSPENSION
(660201-)
HP5882 -UN-18OCT94



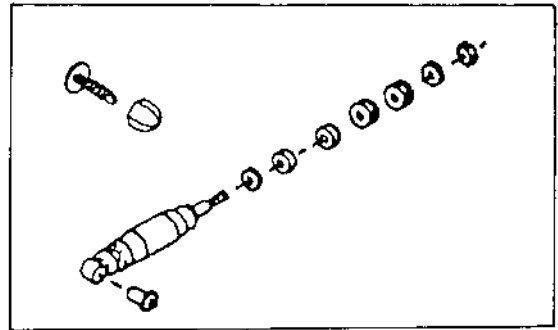
HP5882

3

AIR SEAT SUSPENSION KITS
(665201-)
HP6191 -UN-08OCT97



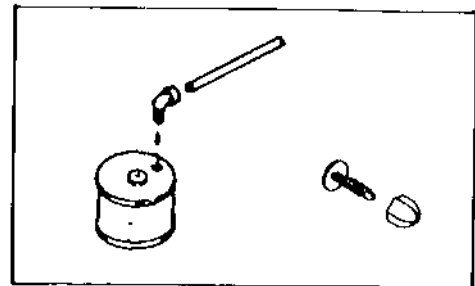
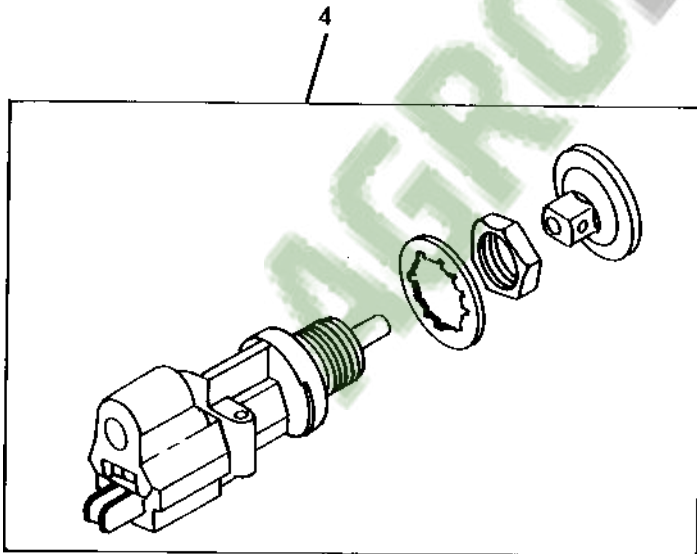
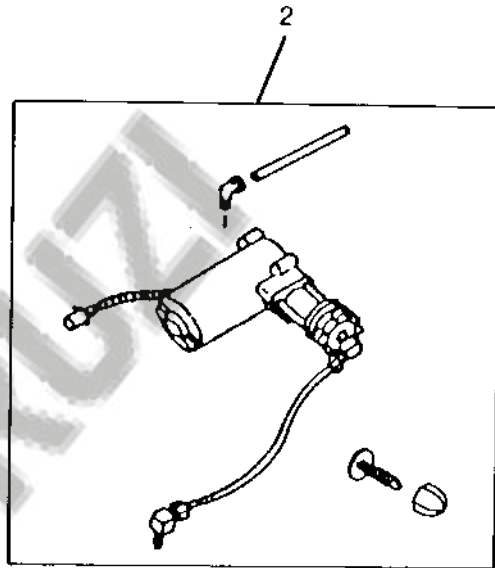
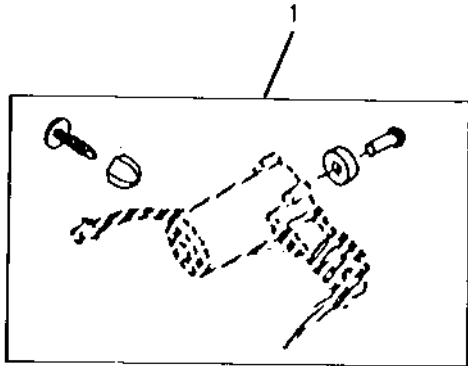
HP6191



7G10

AIR SEAT SUSPENSION KITS

(665201-)
HP6192 -UN-03OCT95



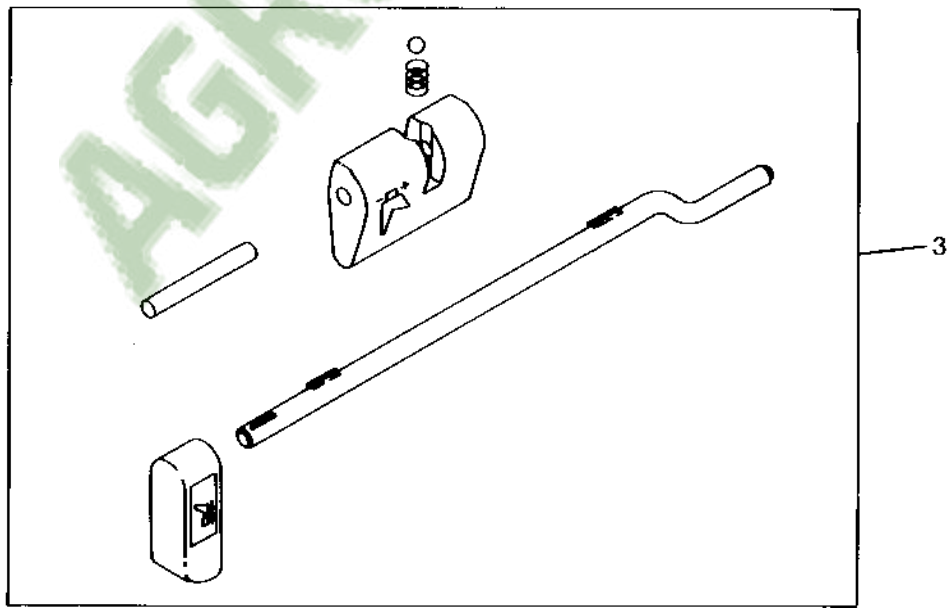
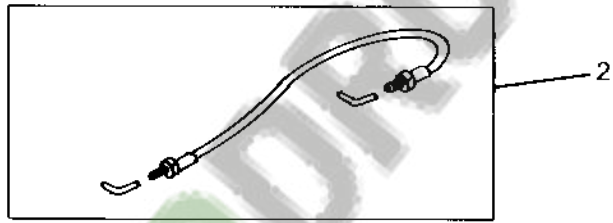
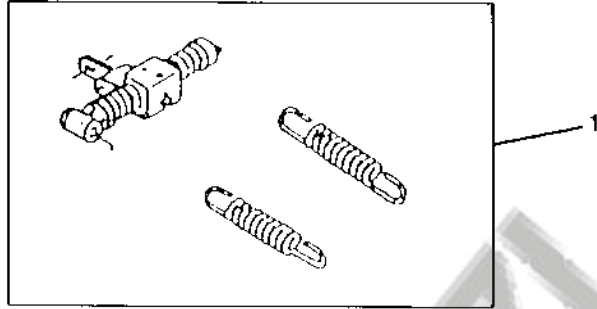
HP6192

3

7G12

AIR SEAT SUSPENSION KITS

(665201-)
HP6193 -UN-03OCT95

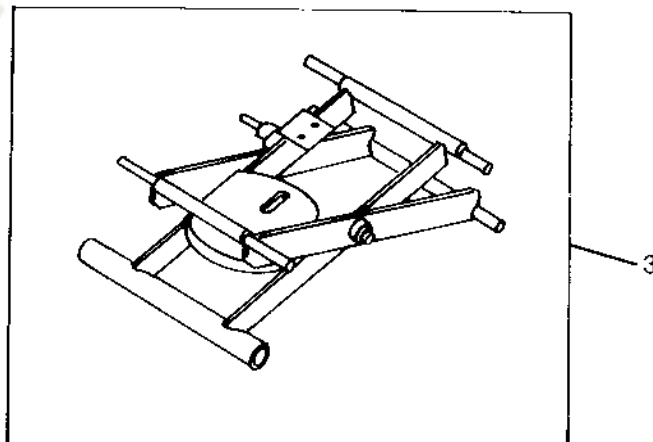
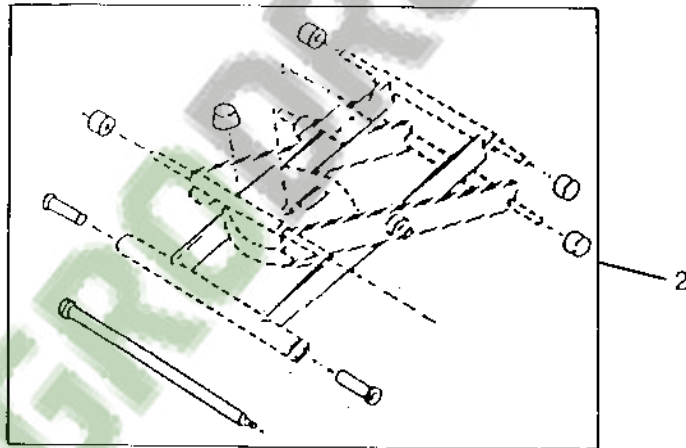
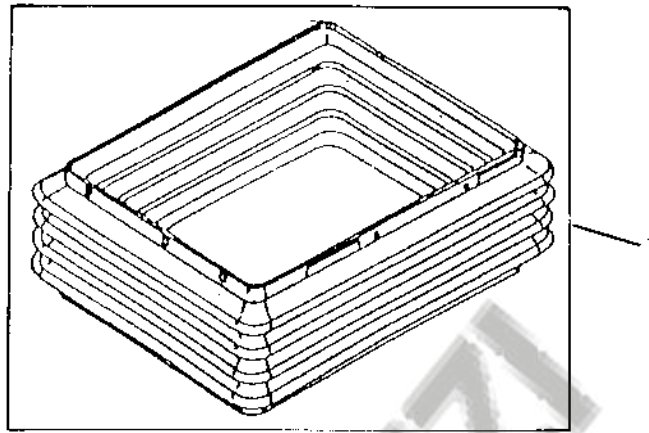


HP6193

7G14

AIR SEAT SUSPENSION KITS

(665201-)
HP6194 -UN-03OCT95



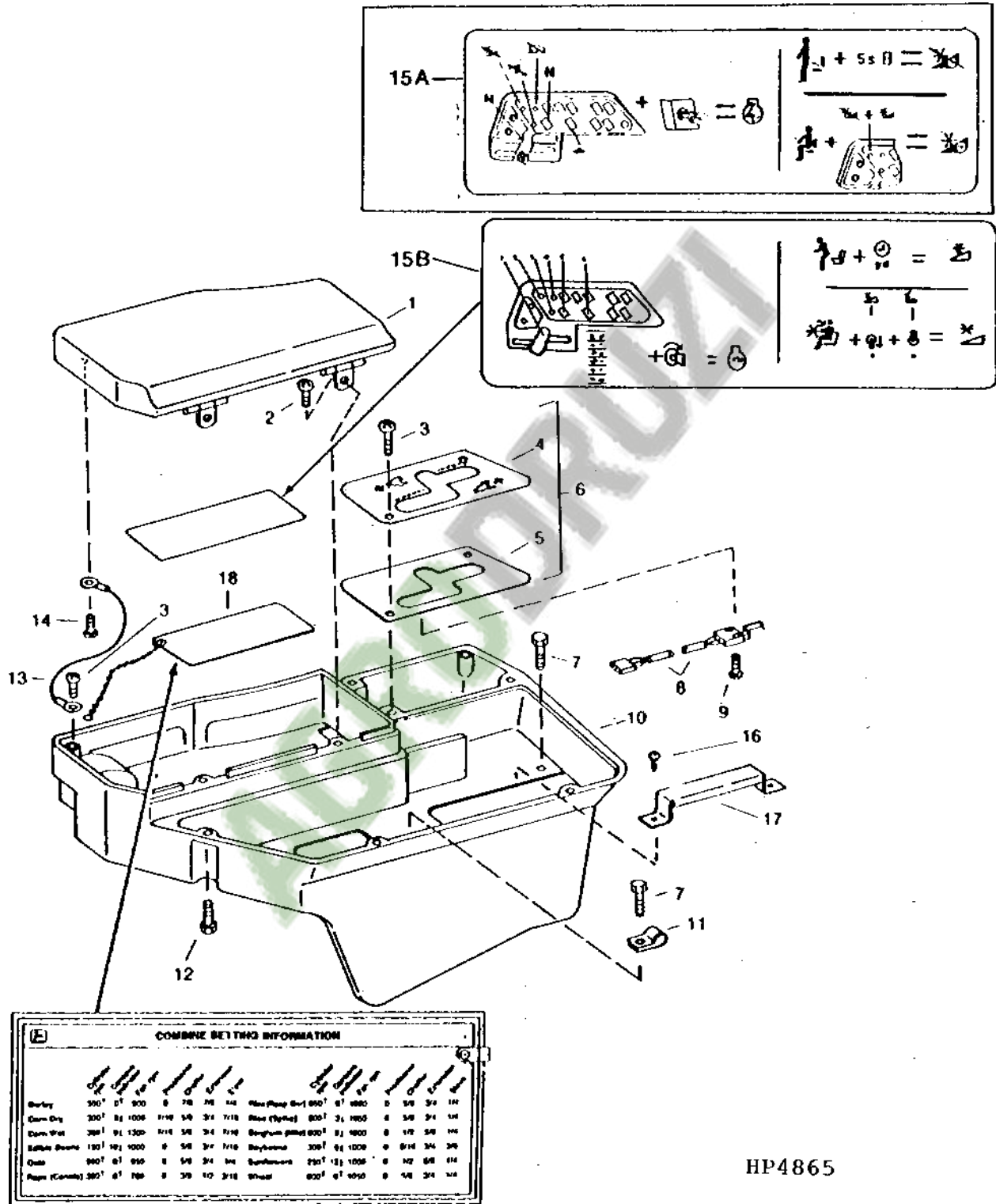
HP6194

471

7G16

OPERATOR'S STATION

ARMREST WITH GLOVE BOX (R.H.)
HP4865 -UN-01JAN94



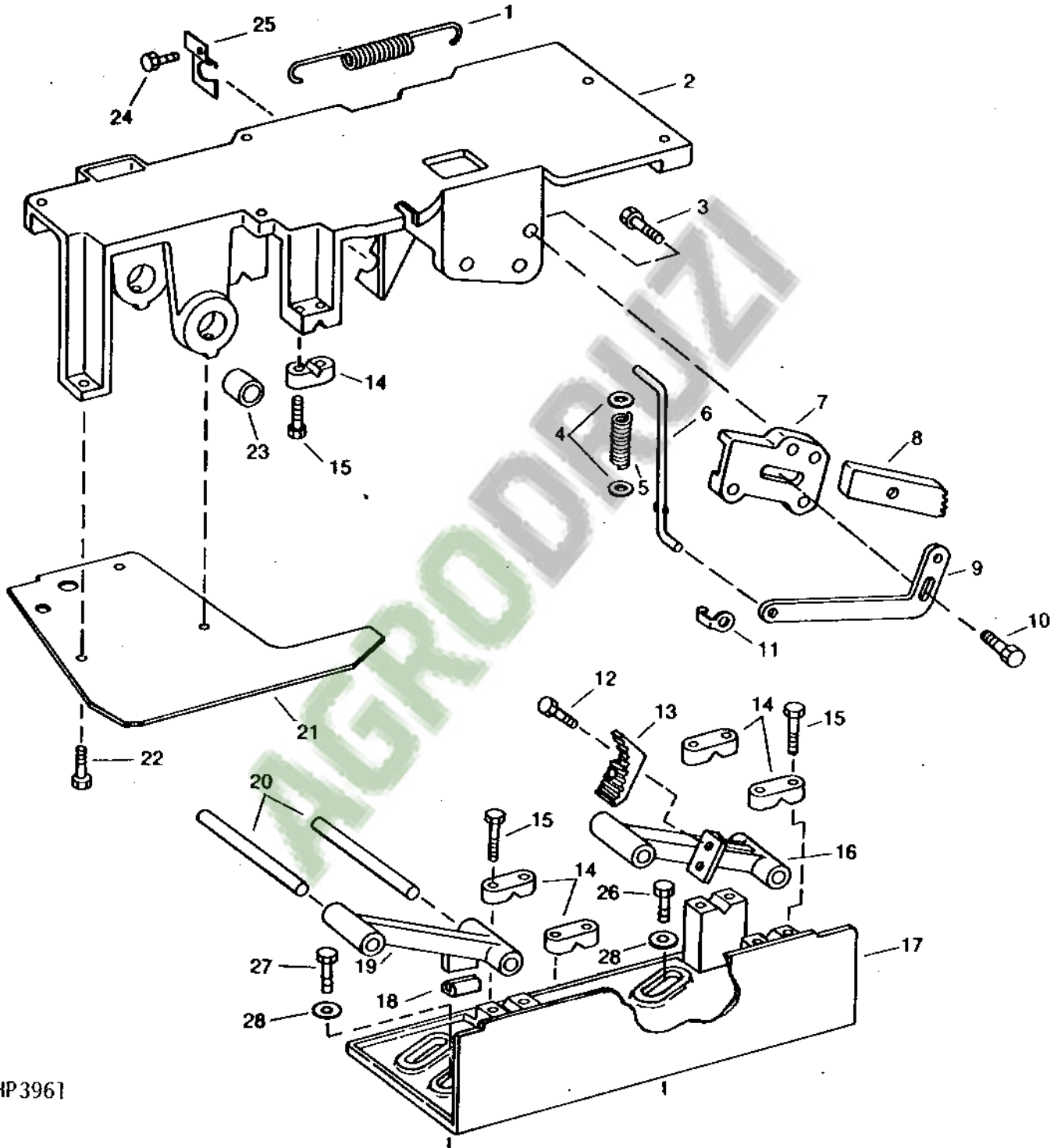
HP4865

7G18

ARMREST ADJUSTING MECHANISM (R.H.)

(-640200)

HP3961 -UN-01JAN94

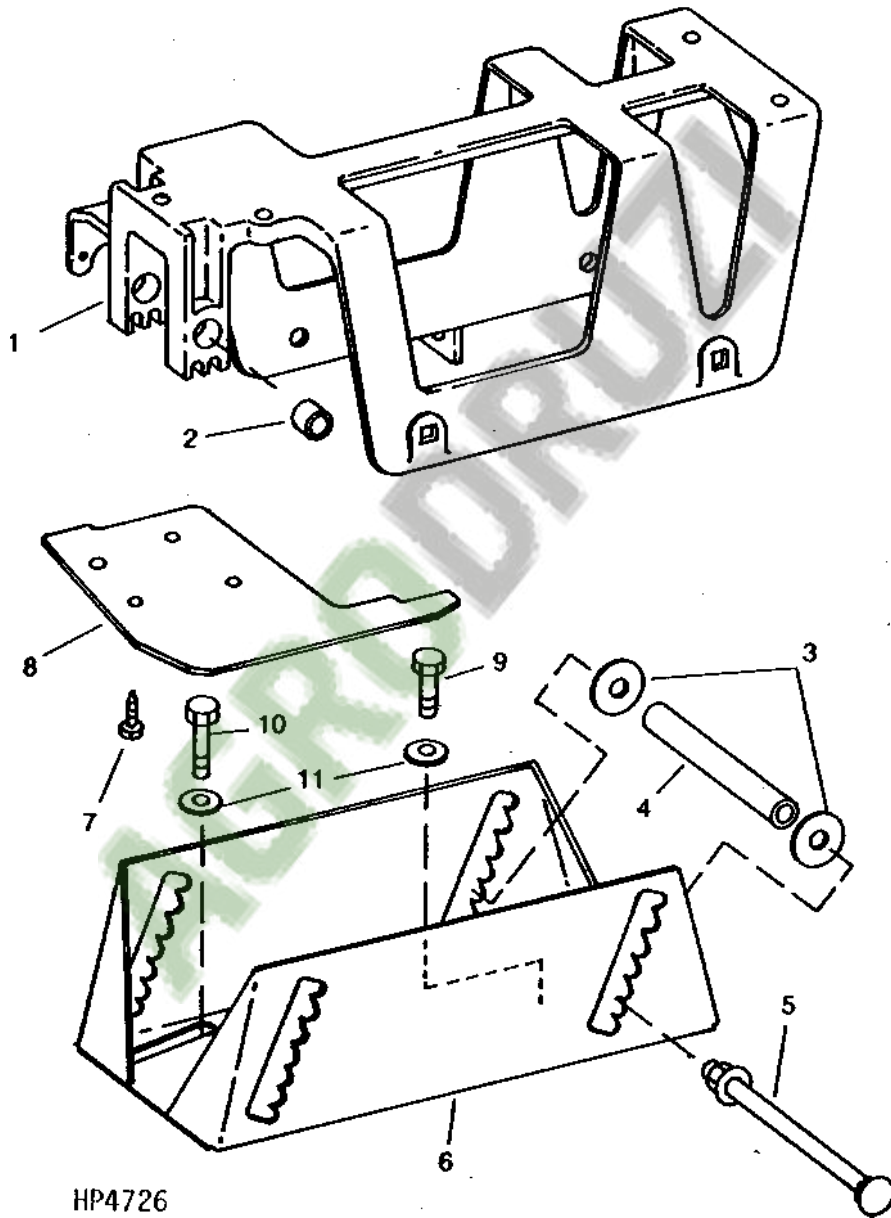


HP 3961

7G20

ARMREST ADJUSTING MECHANISM (R.H.)

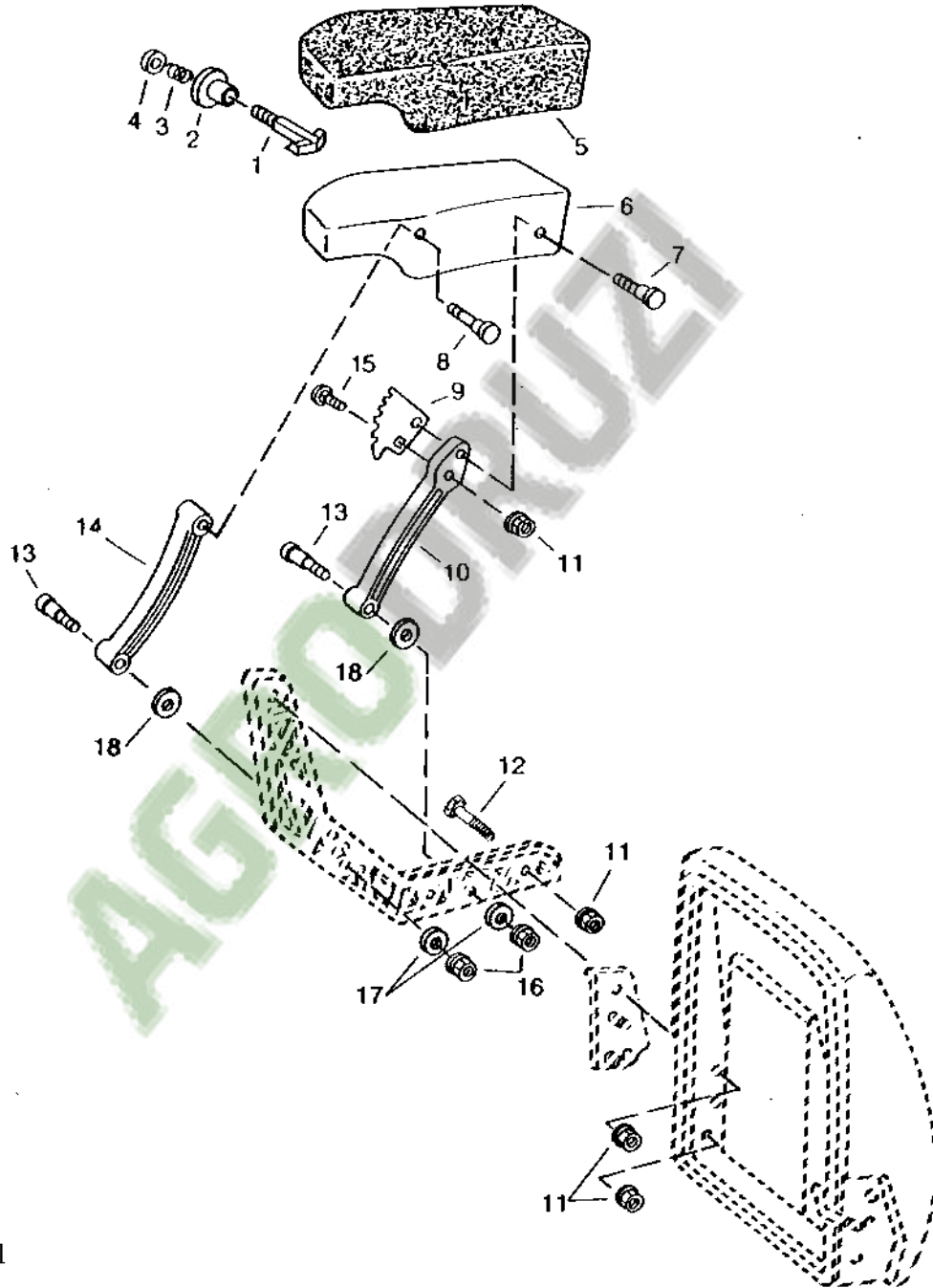
(640201 -)
HP4726 -UN-01JAN94



HP4726

7G22

ARMREST (L.H.)
HP3131 -UN-01JAN94



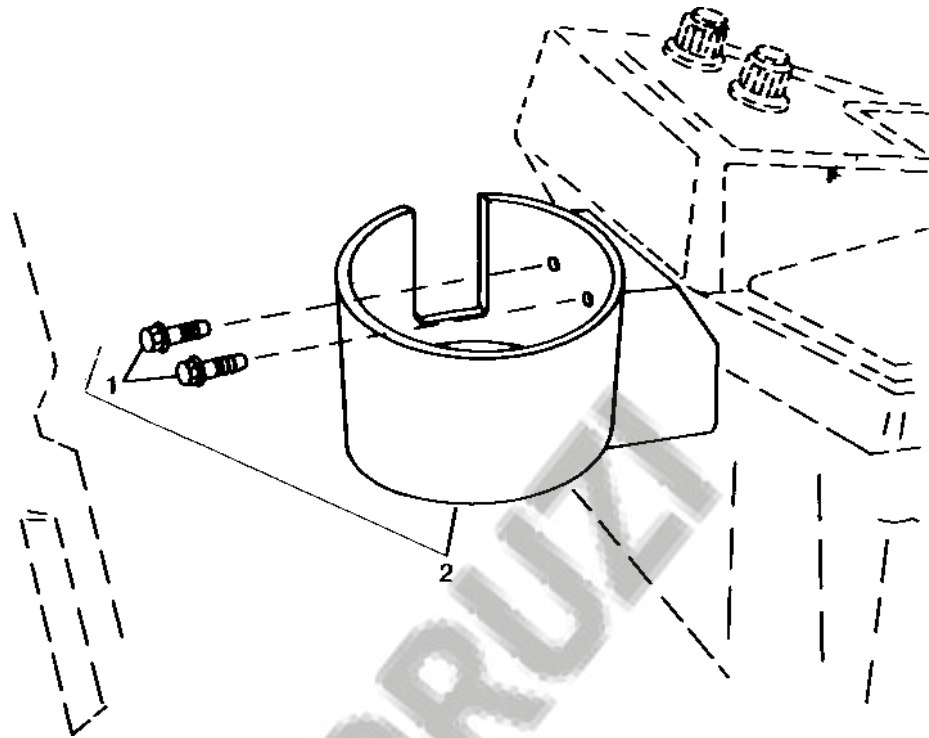
HP3131

7G24

OPERATOR'S STATION

CUP HOLDER

HP5912 -UN-17DEC94

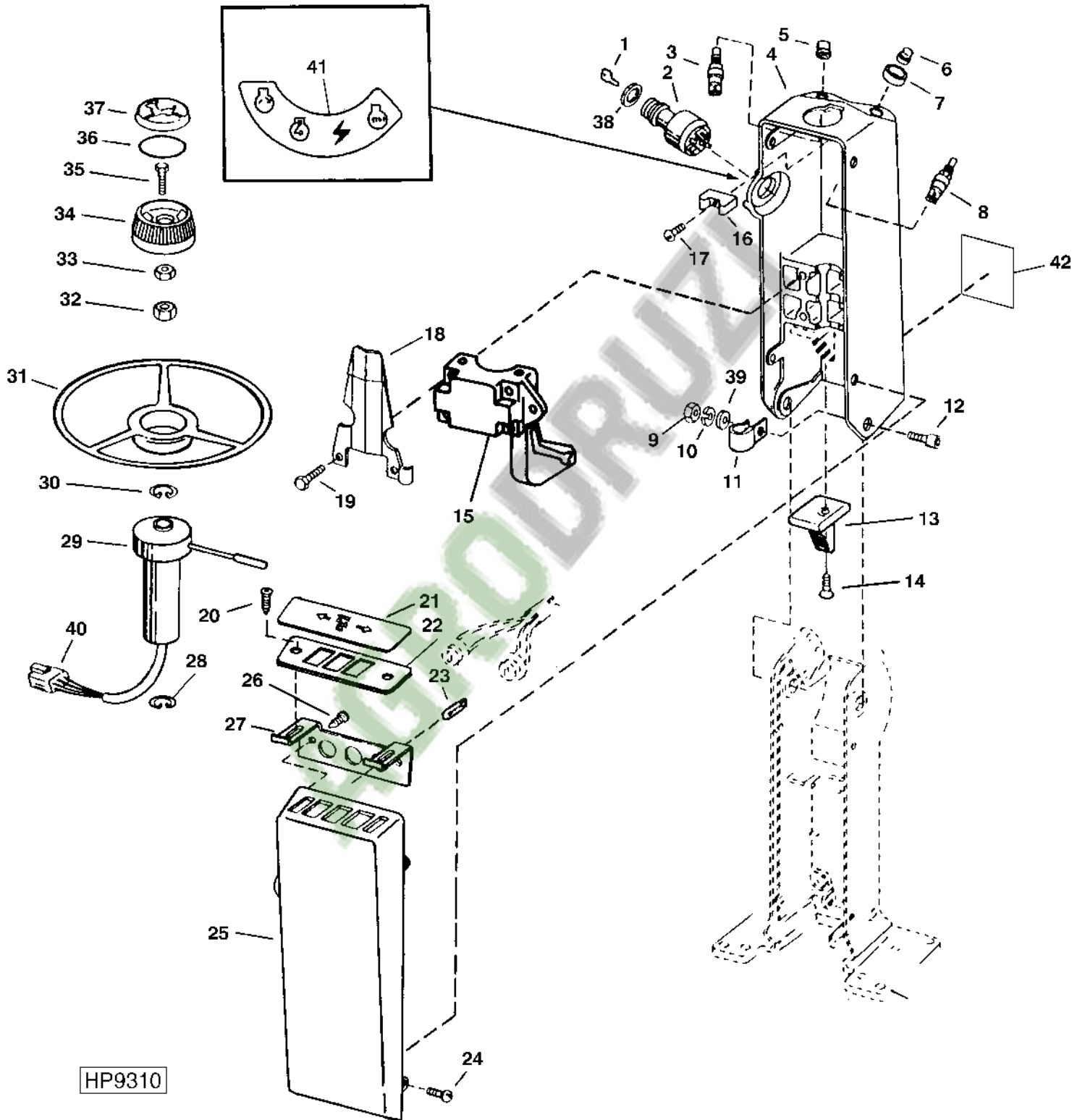


HP5912

KEY	PART NO.	PART NAME	QTY	SERIAL NO.	S	H	REMARKS
1	H151166	SCREW	2	-28SE98	X	X	M6 X 16
	H168428	SCREW	2	28SE98-	X	X	M6 X 16
2	H151062	HOLDER	1	-660794	X	X	(SUB AH145616)
	AH145616	HOLDER	1		X	X	

AGRODRUML

STEERING COLUMN (UPPER)
HP9310 -UN-18NOV99

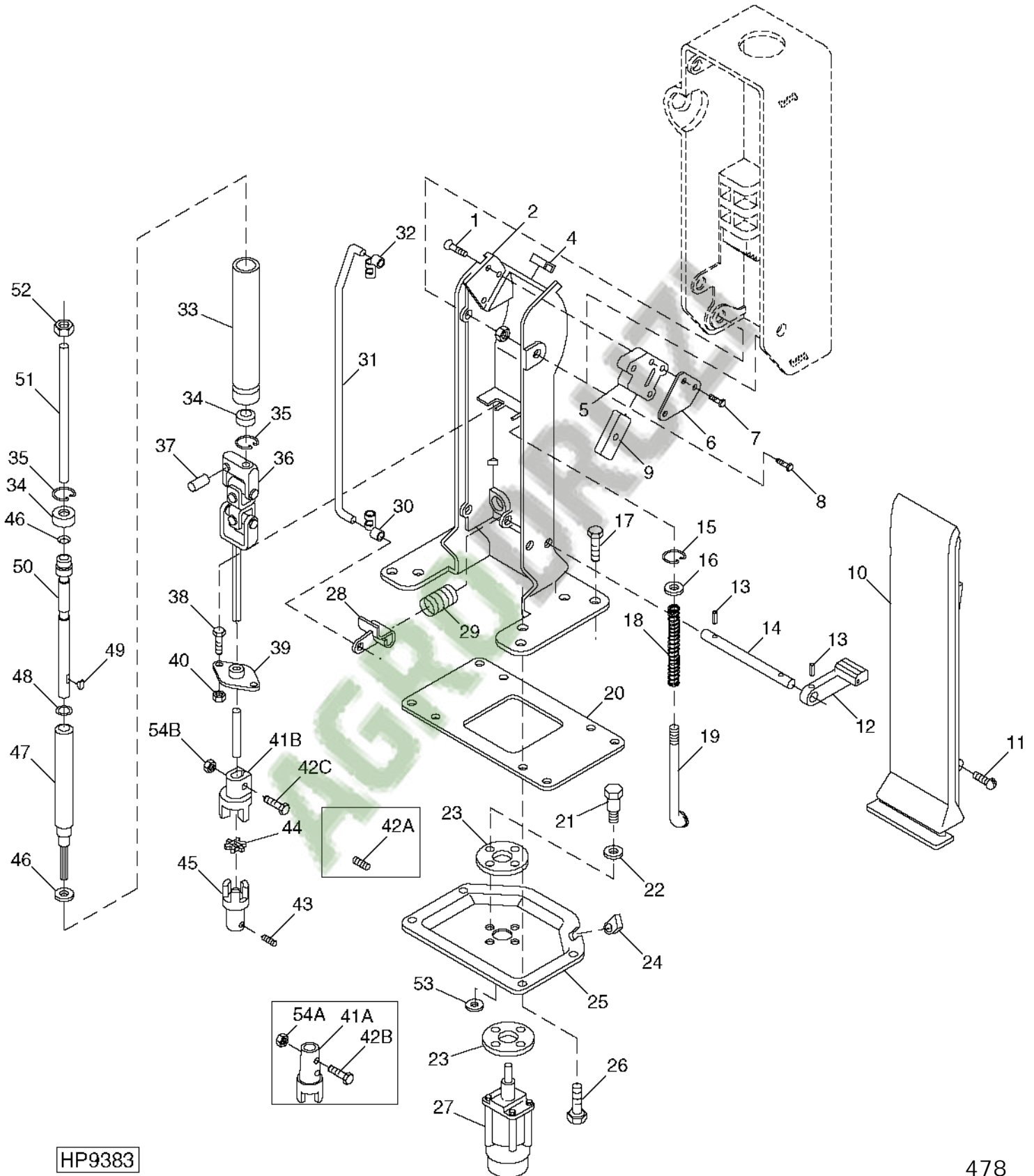


HP9310

7H3

STEERING COLUMN (LOWER)

HP9383 -UN-07DEC99

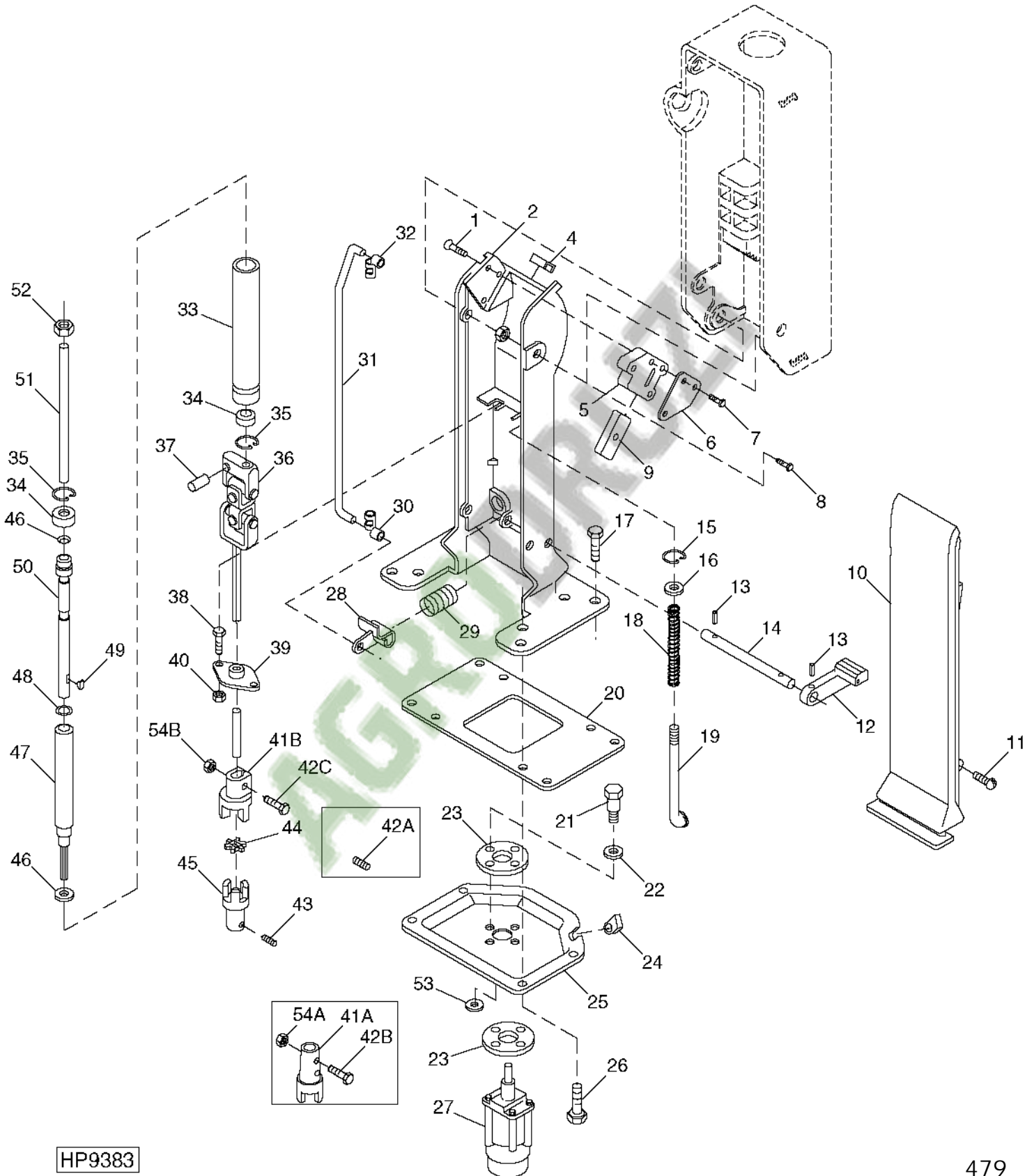


HP9383

7H5

STEERING COLUMN (LOWER)

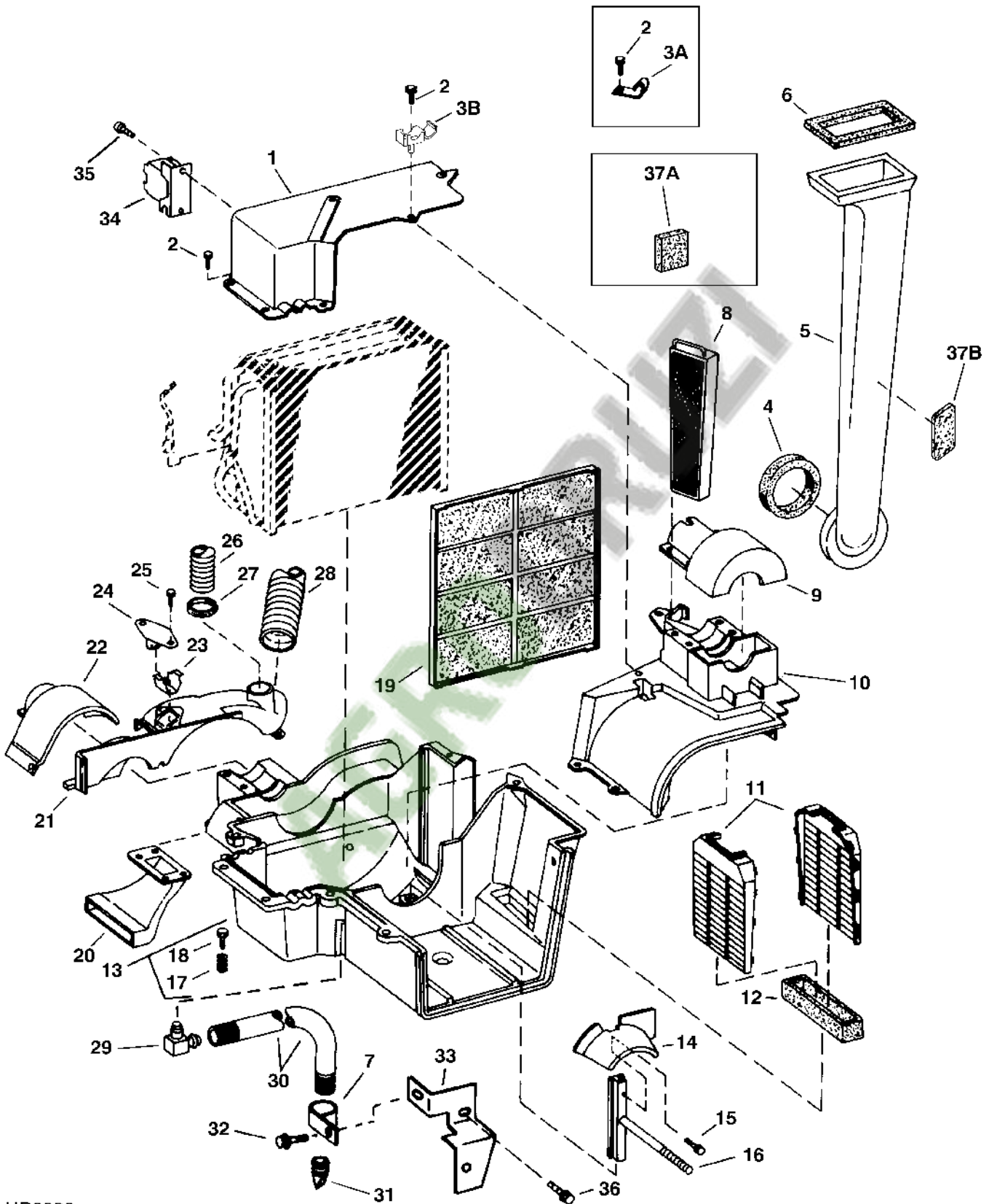
HP9383 -UN-07DEC99



HP9383

7H7

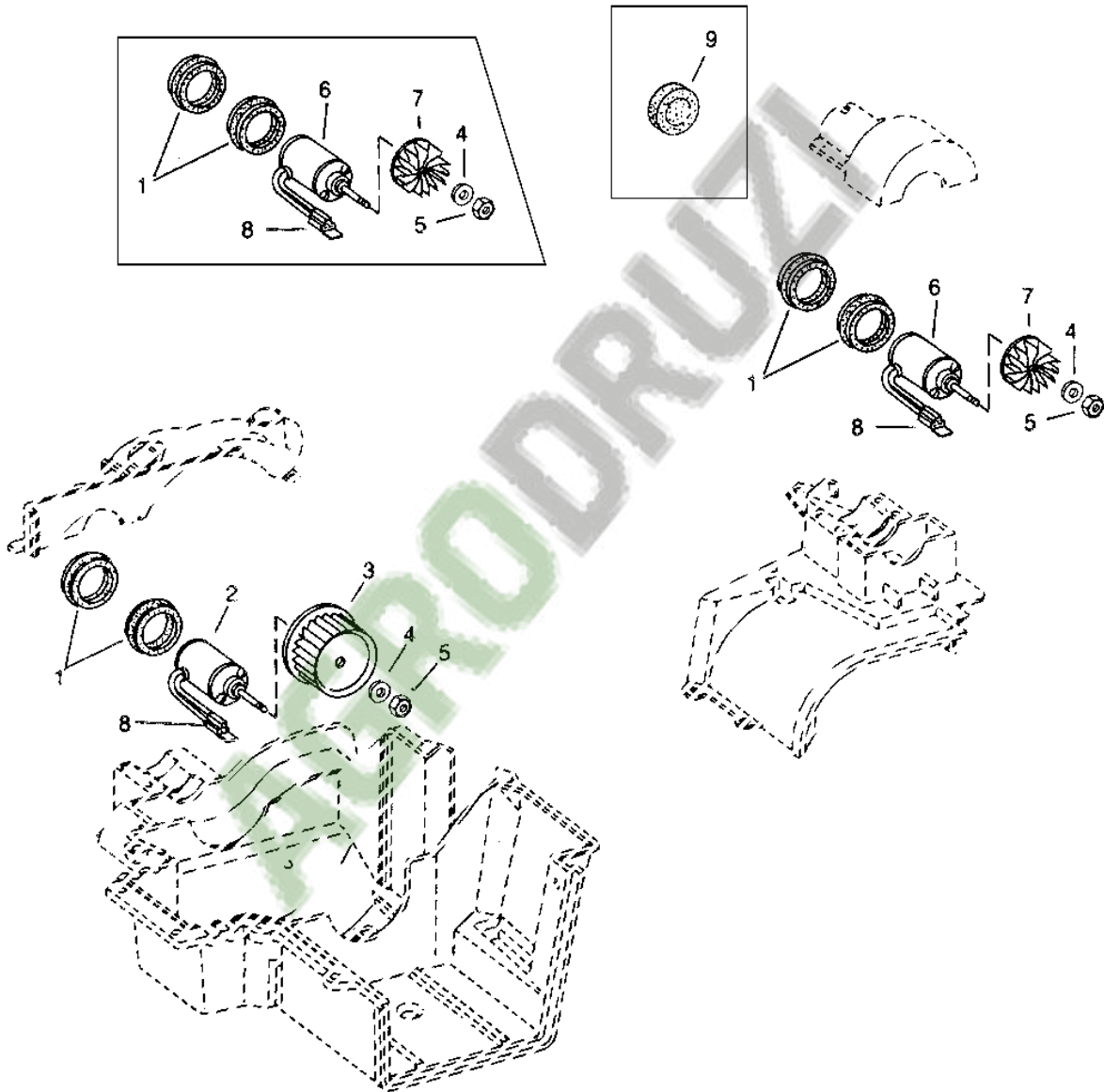
AIR CONDITIONING AND HEATER HOUSING AND FILTERS
HP6683 -UN-21MAR97



HP6683

480

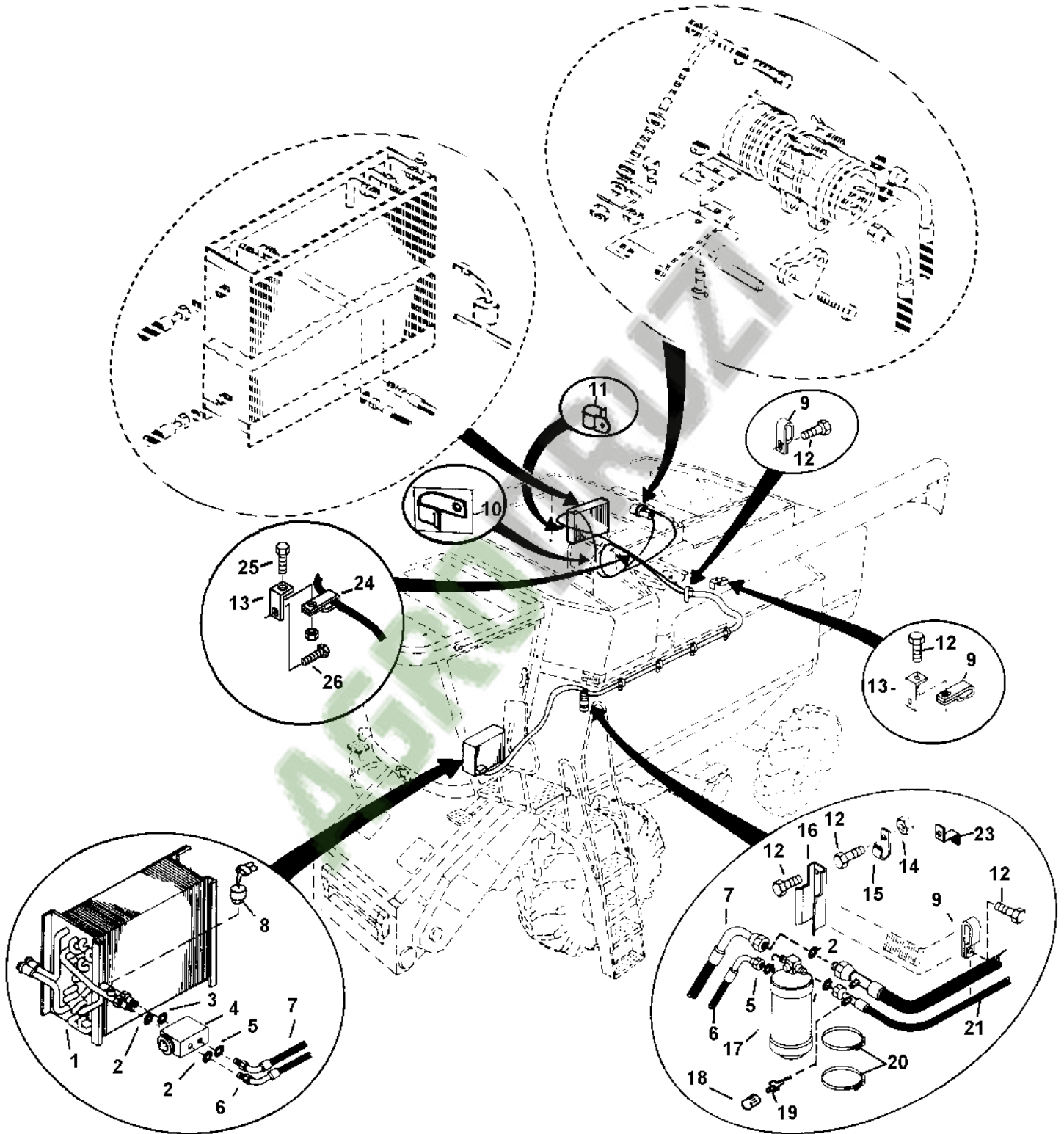
PRESSURIZER FAN AND AIR CONDITIONING / HEATER FAN
HP6515 -UN-15JUL96



HP6515

7H11

AIR CONDITIONING SYSTEM
HP7317 -UN-22DEC97



HP7317

482

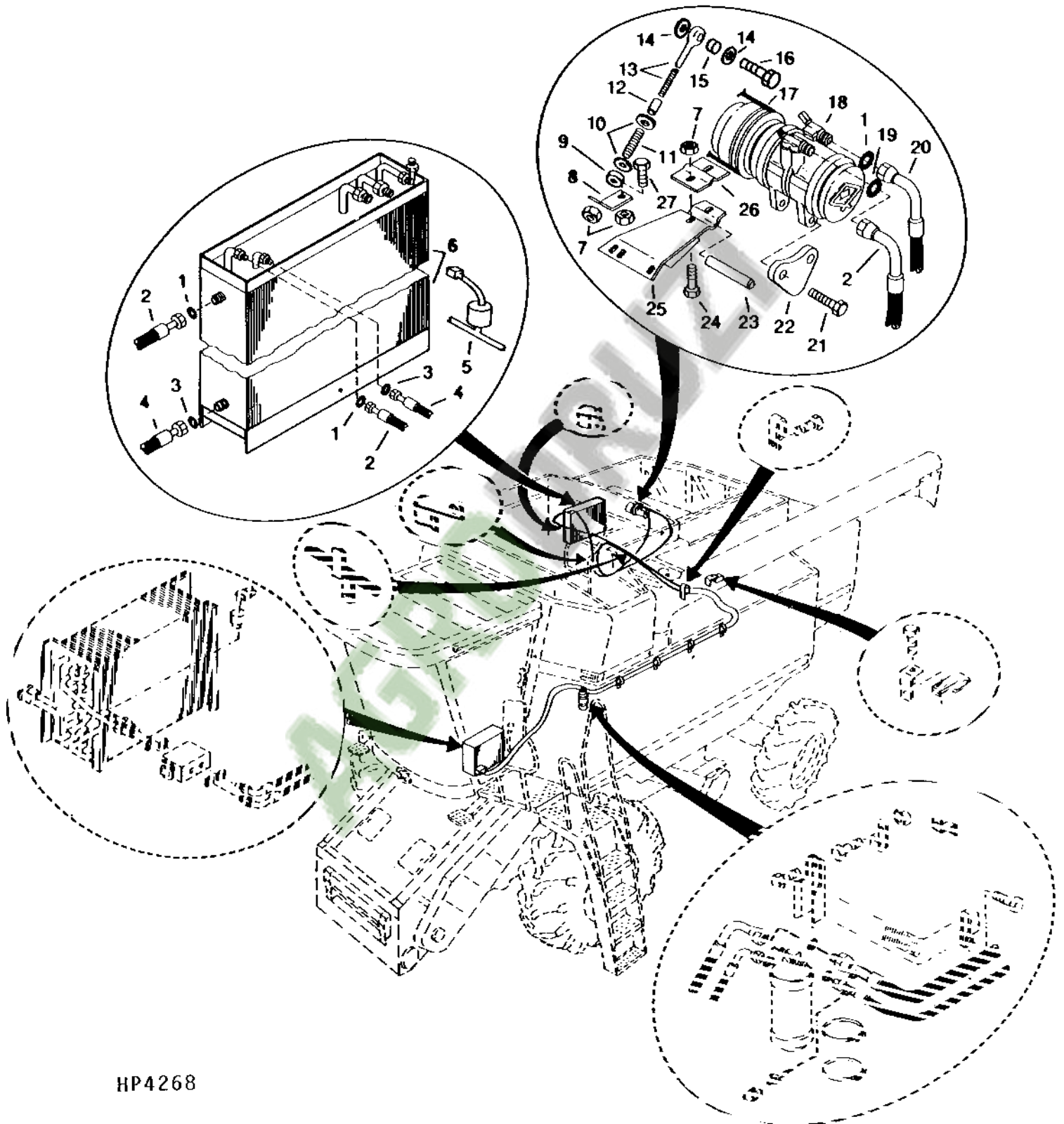
7H13

OPERATOR'S STATION

AIR CONDITIONING SYSTEM (FOR R-12 REFRIGERANT)

(-650200)

HP4268 -UN-01JAN94



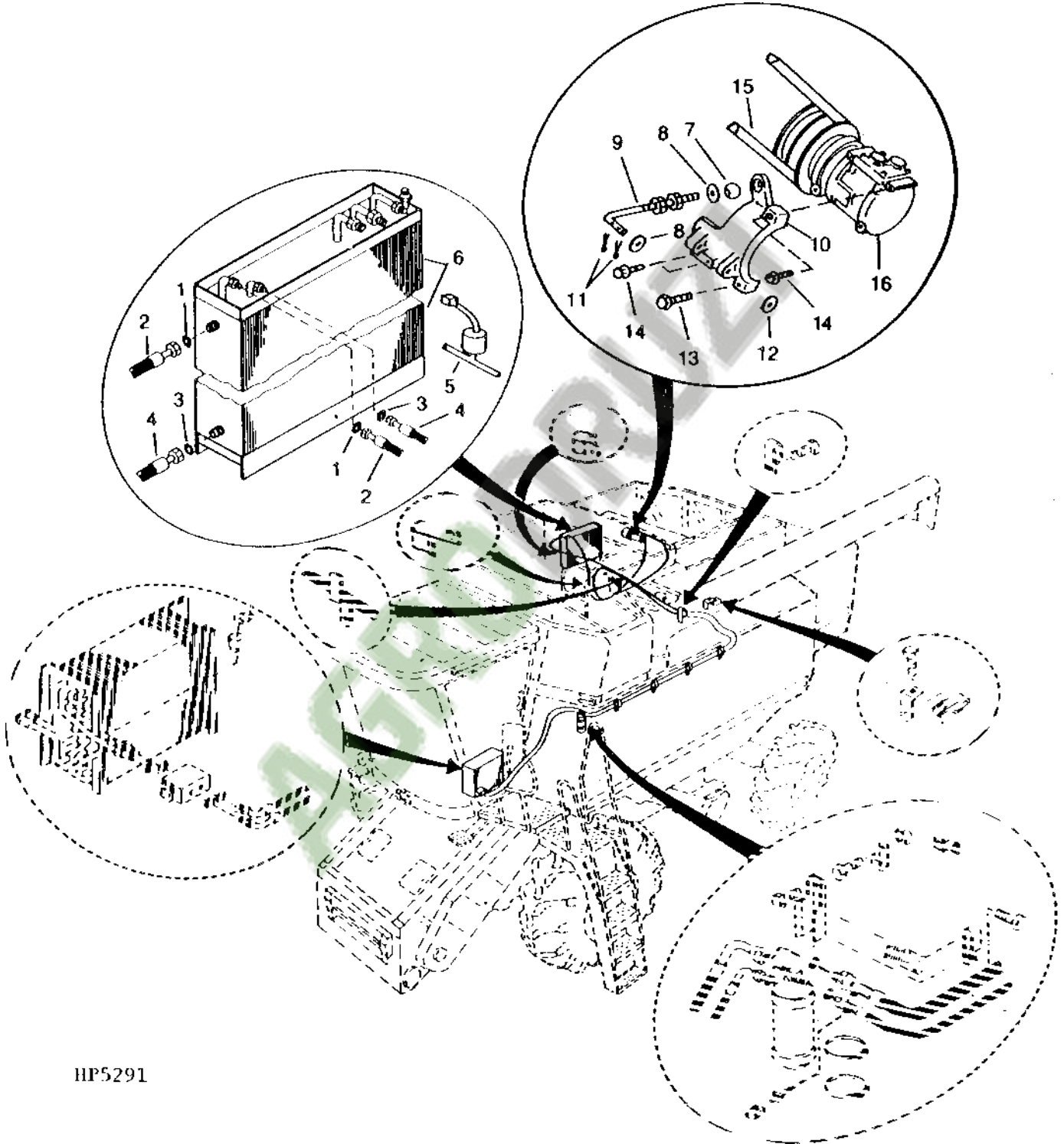
HP4268

483

7H15

AIR CONDITIONING SYSTEM (FOR R134A REFRIGERANT)

(650201-)
HP5291 -UN-01JAN94



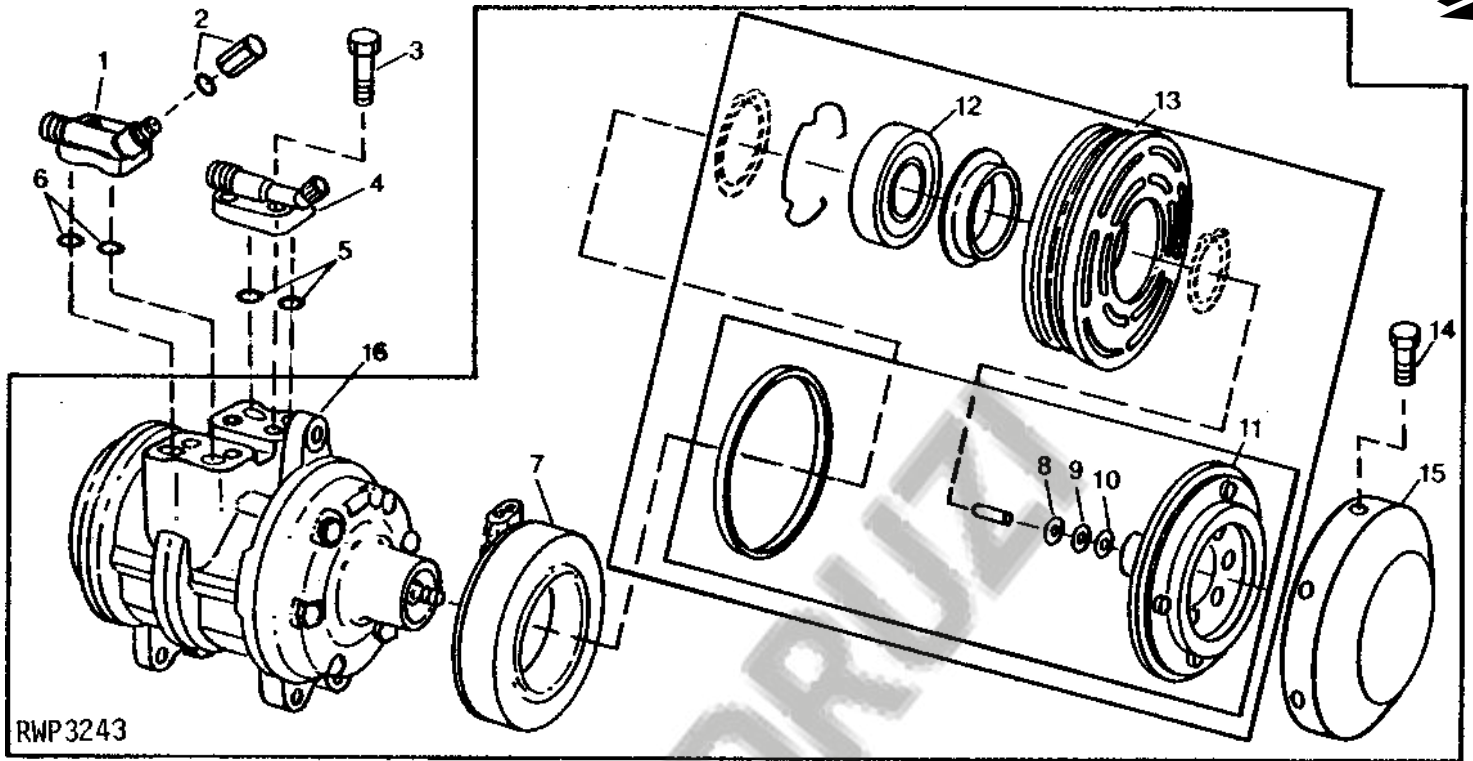
HP5291

7H17

OPERATOR'S STATION

COMPRESSOR CLUTCH AND SERVICE VALVES (FOR R-12 REFRIGERANT)

(-650200)
RWP3243 -UN-01JAN94



RWP3243

KEY	PART NO.	PART NAME	QTY	SERIAL NO.	REMARKS
				S	
				H	
				9	
				5	
				0	
				0	

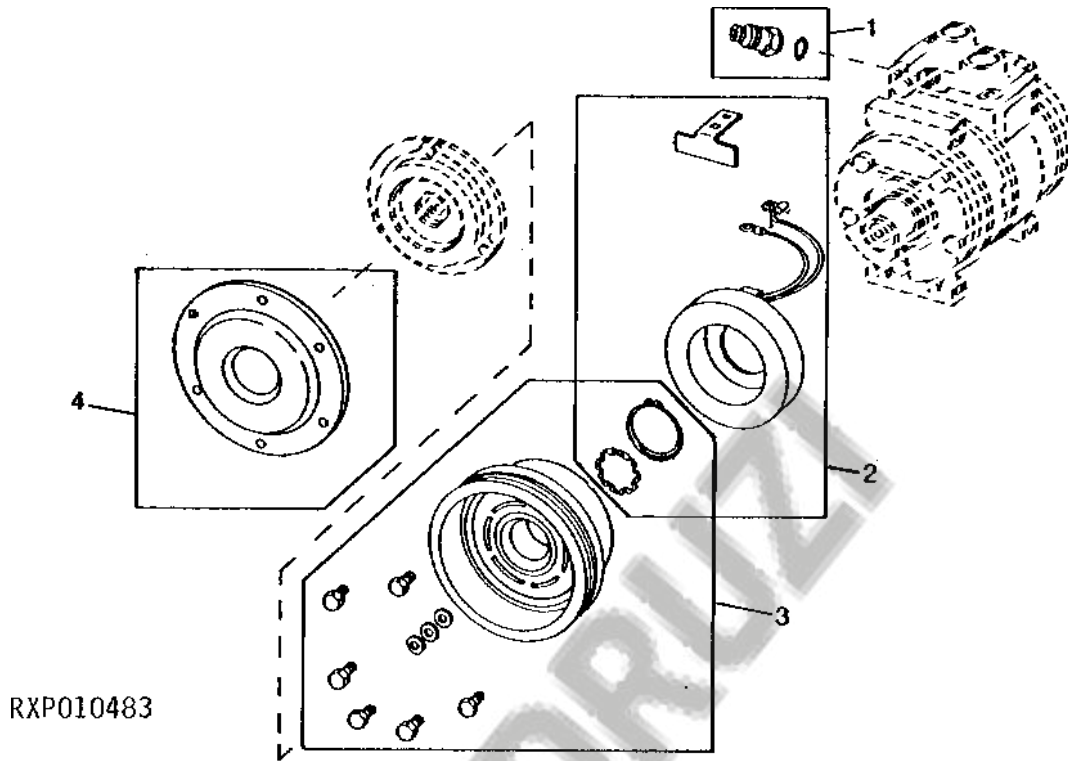
7H18

OPERATOR'S STATION

COMPRESSOR CLUTCH AND SERVICE VALVES (FOR R-12 REFRIGERANT)

(-650200)

RXP010483 -UN-01JAN94



RXP010483

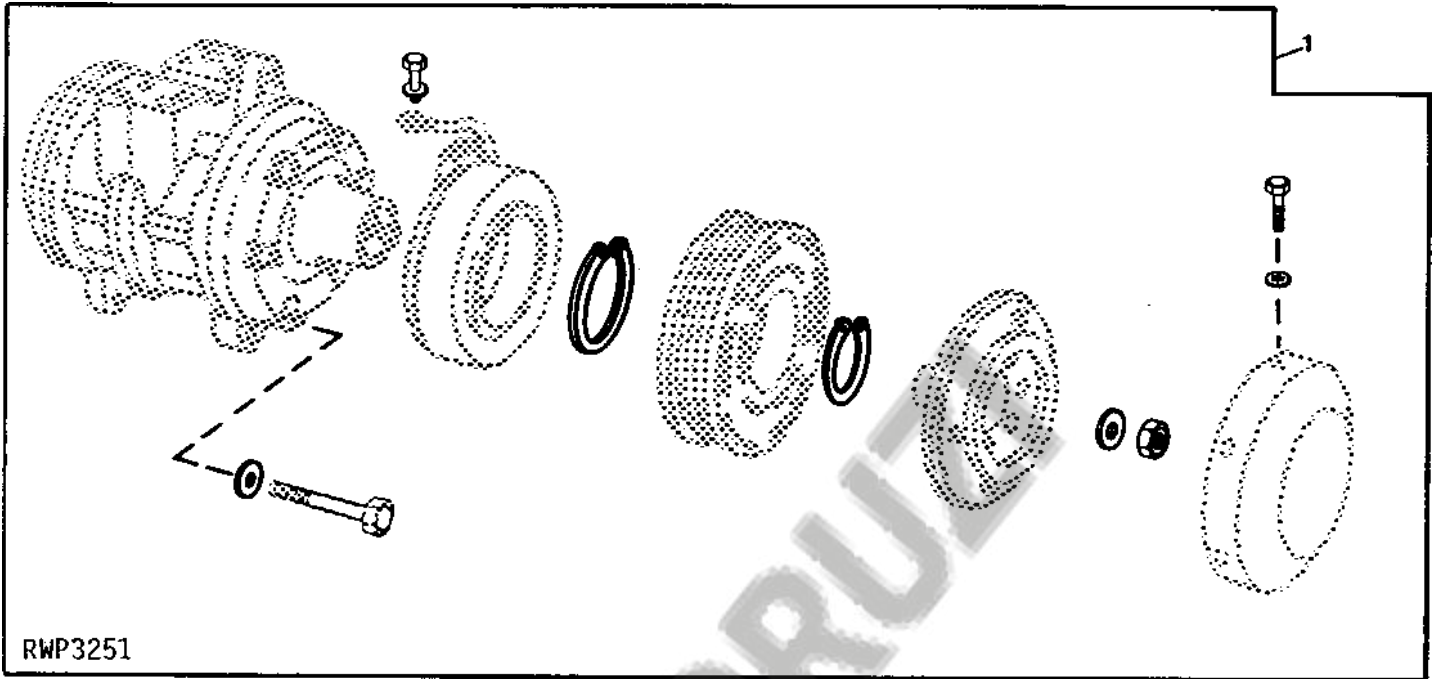
KEY	PART NO.	PART NAME	QTY	SERIAL NO.	REMARKS
				S H 9 5 0 0	

7H19

OPERATOR'S STATION

COMPRESSOR HARDWARE SET (FOR R-12 REFRIGERANT)

(-650200)
RWP3251 -UN-01JAN94



KEY	PART NO.	PART NAME	QTY	SERIAL NO.	S H 9 5 0 0	REMARKS
1	RE10976	KIT	1		X X	

AGRODRU

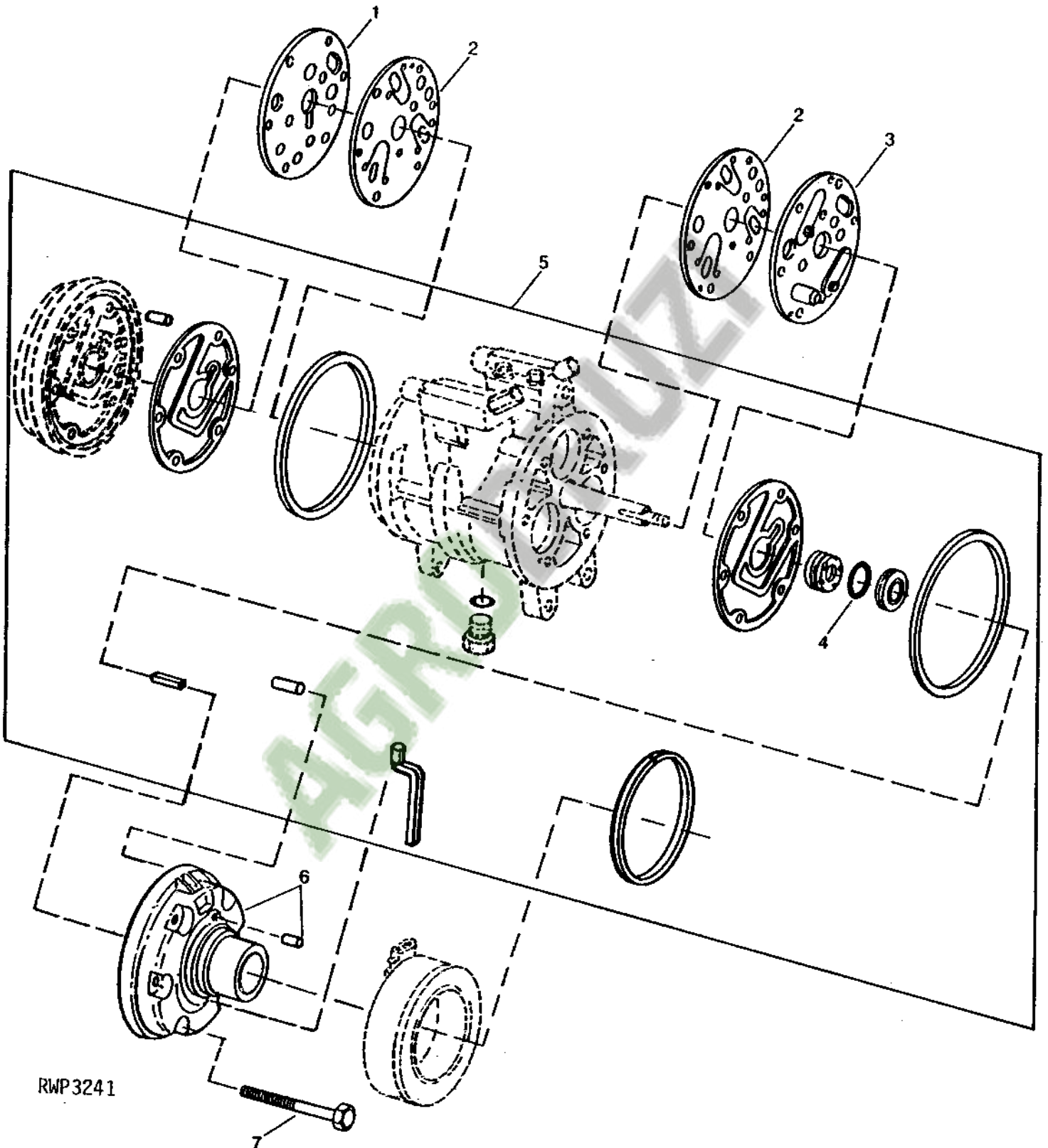
7H20

OPERATOR'S STATION

COMPRESSOR PARTS (FOR R-12 REFRIGERANT)

(-650200)

RWP3241 -UN-01JAN94



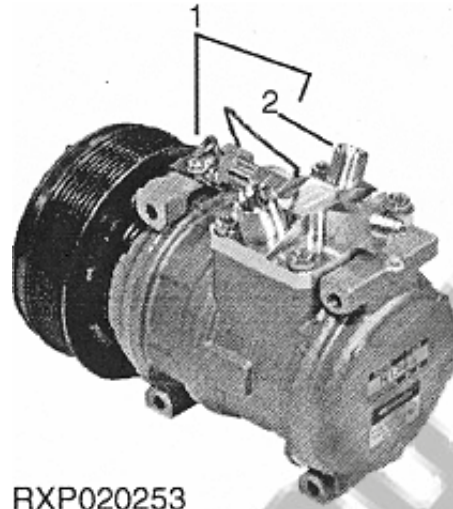
RWP3241

488

7H22

AIR CONDITIONING COMPRESSOR (FOR R134A REFRIGERANT)

(650201-)
RXP020253 -UN-01JAN94



RXP020253

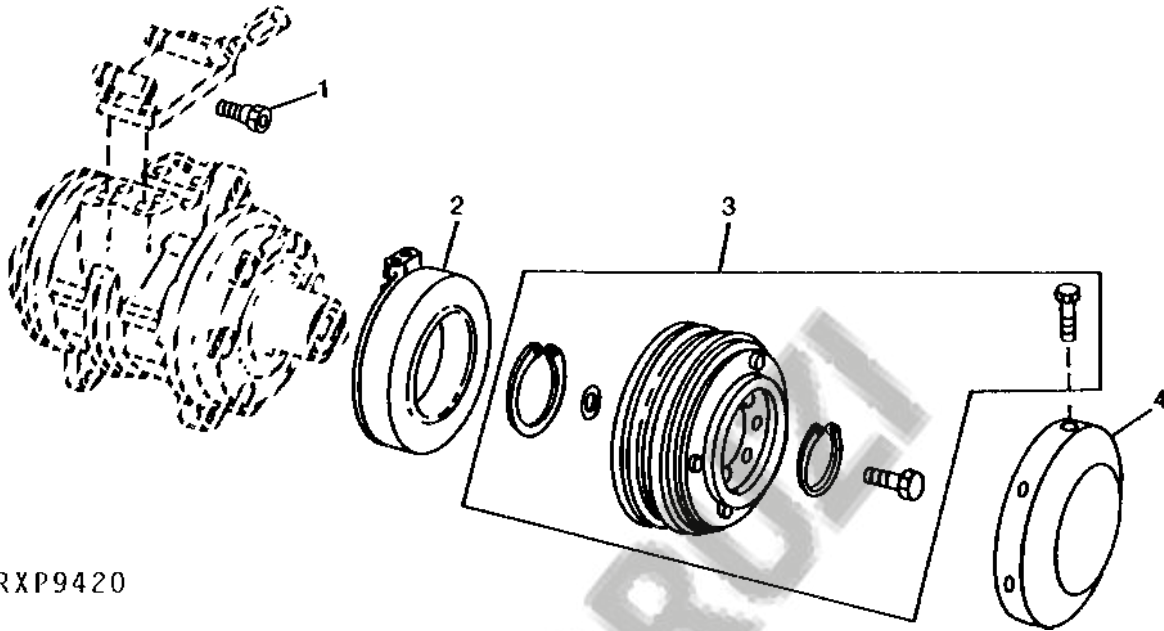
AGRODRIVE

KEY	PART NO.	PART NAME	QTY	SERIAL NO.	REMARKS
				S H 9 5 0 0	

7H23

COMPRESSOR CLUTCH/STATOR/DUST COVER (FOR R134A REFRIGERANT)

(650201-)
RXP9420 -UN-01JAN94



RXP9420

KEY	PART NO.	PART NAME	QTY	SERIAL NO.	REMARKS
				S H 9 5 0 0	

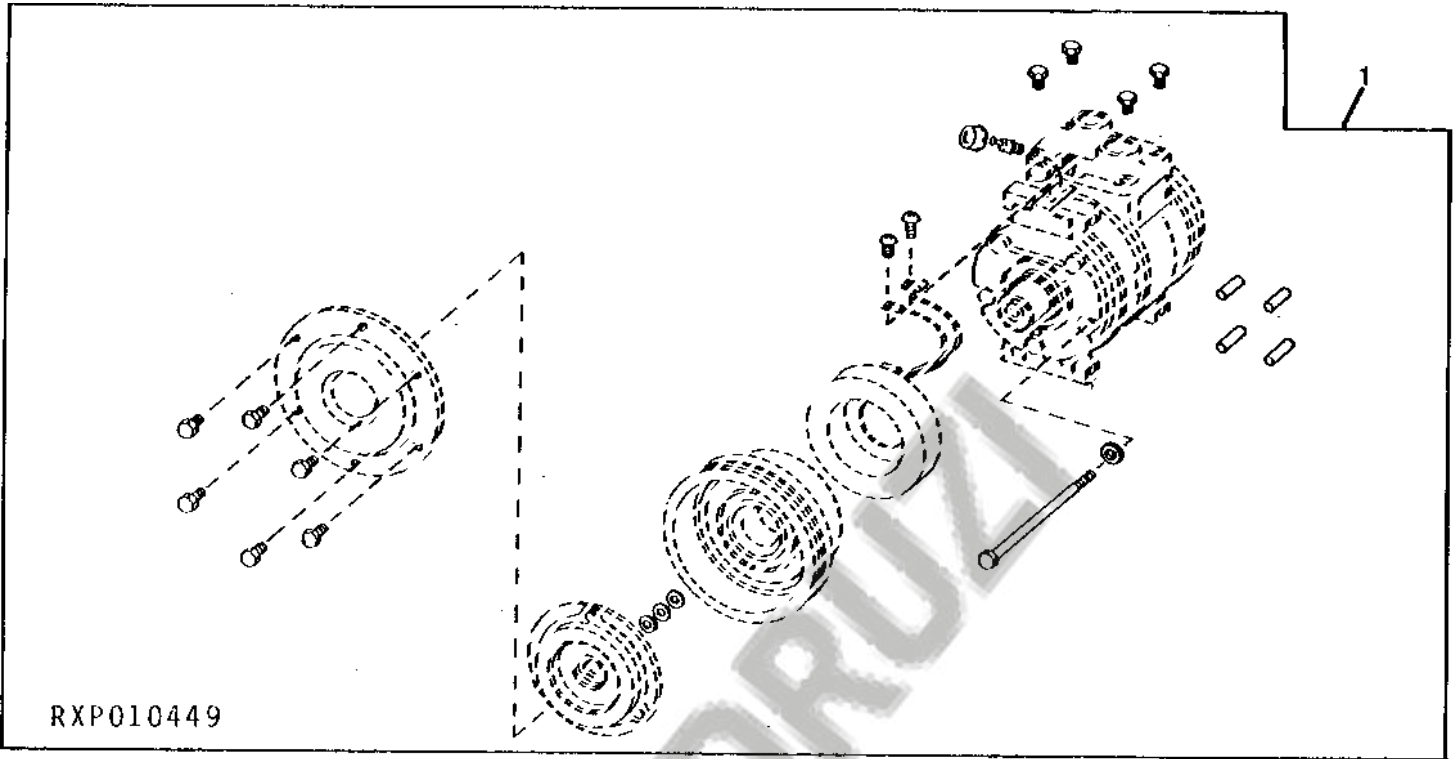
AGRODRILL

7H24

OPERATOR'S STATION

COMPRESSOR HARDWARE SET (FOR 134A REFRIGERANT)

(650201-)
RXP010449 -UN-01JAN94



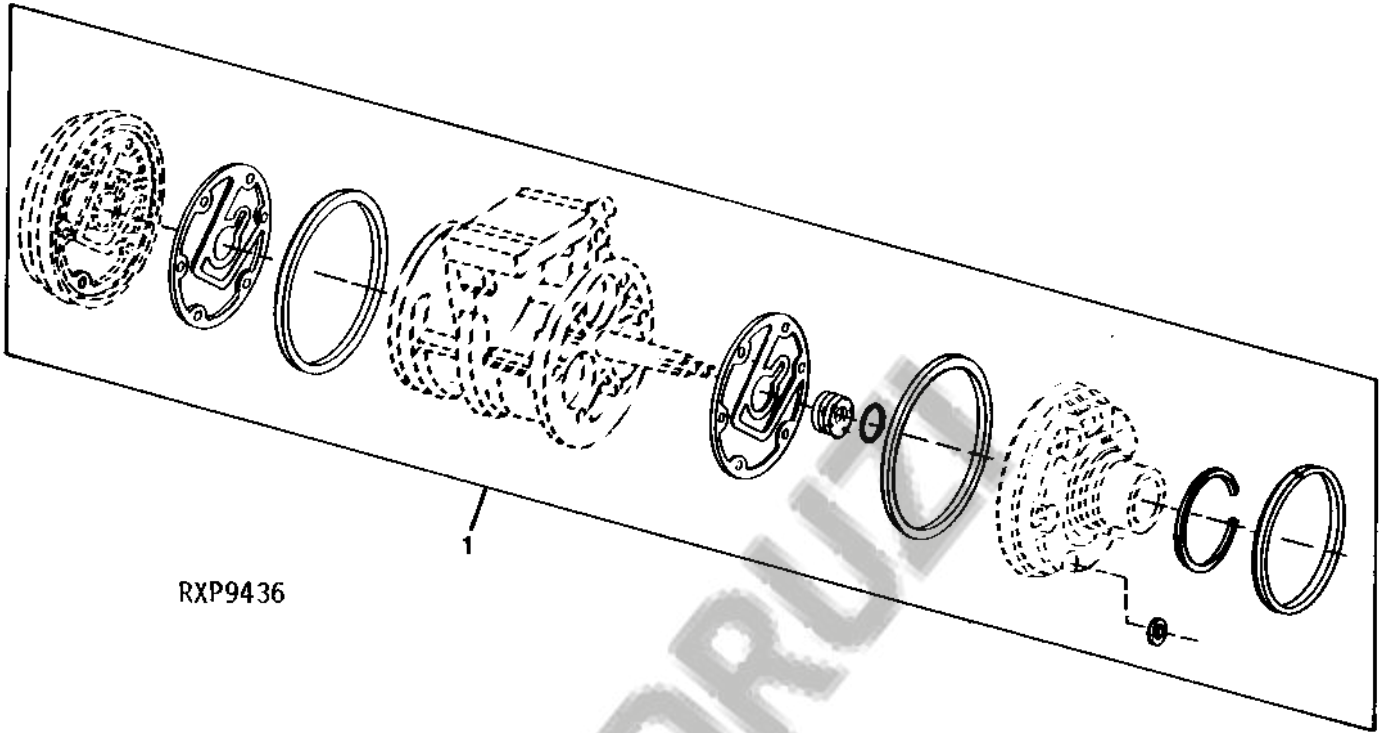
KEY	PART NO.	PART NAME	QTY	SERIAL NO.	REMARKS
				S H 9 9 5 5 0 0 0 0	

AGRODRIVE

7H25

COMPRESSOR PARTS (FOR R134A REFRIGERANT)

(650201-)
RXP9436 -UN-01JAN94



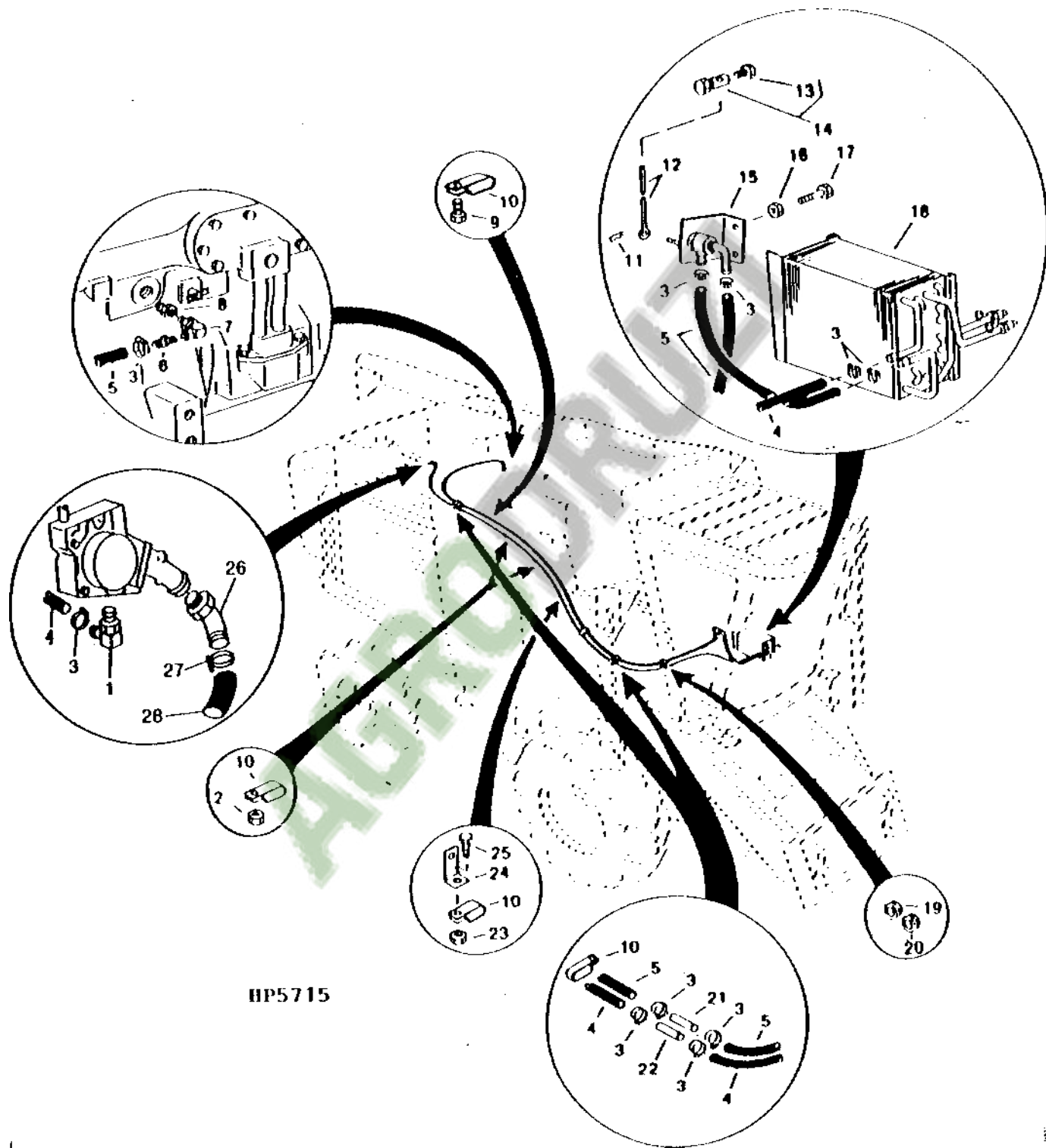
RXP9436

KEY	PART NO.	PART NAME	QTY	SERIAL NO.	REMARKS
-----	----------	-----------	-----	------------	---------

S
H
9
5
0
0

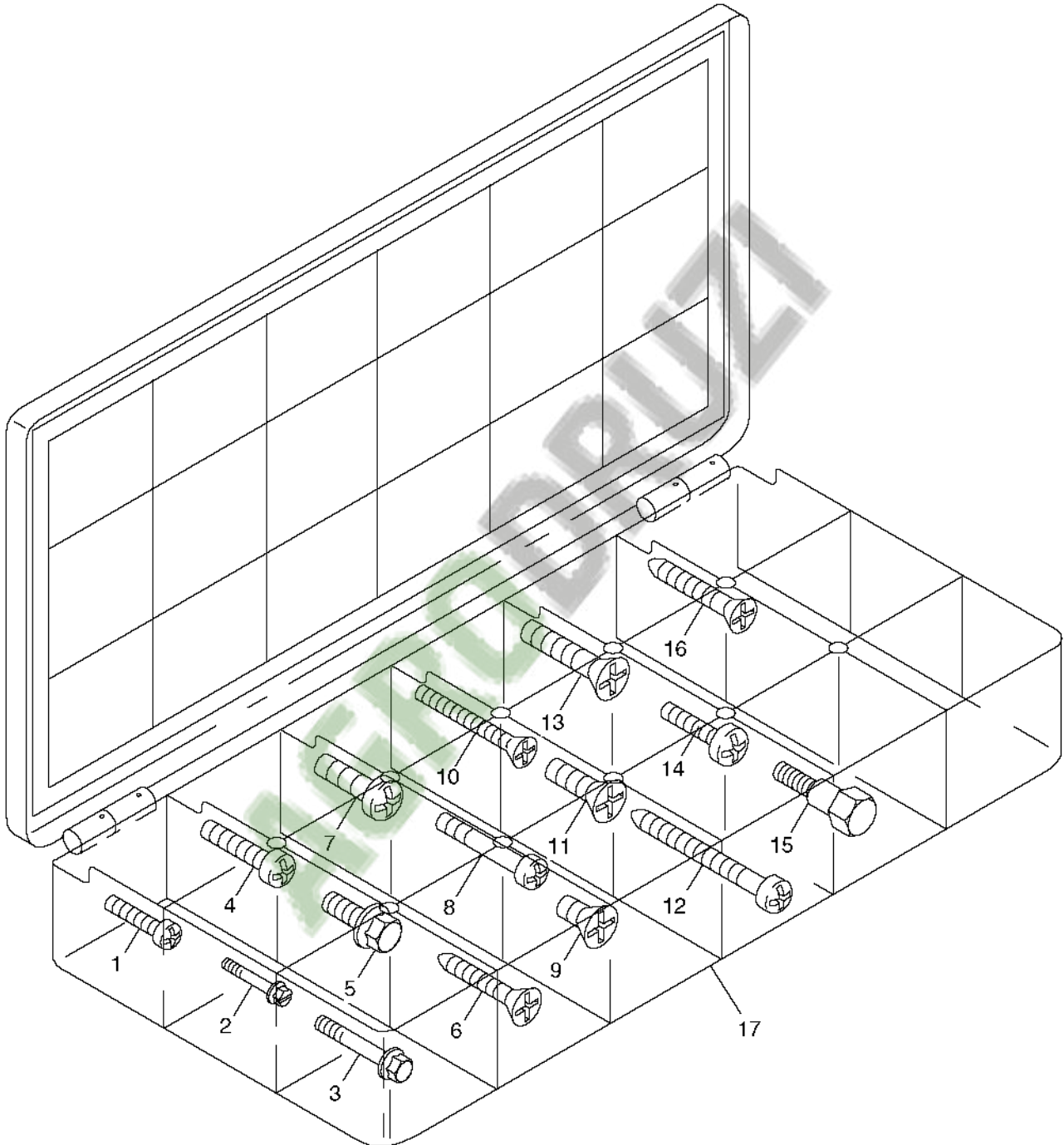
AGRODRILL

HEATER SYSTEM
HP5715 -UN-01JAN94



HP5715

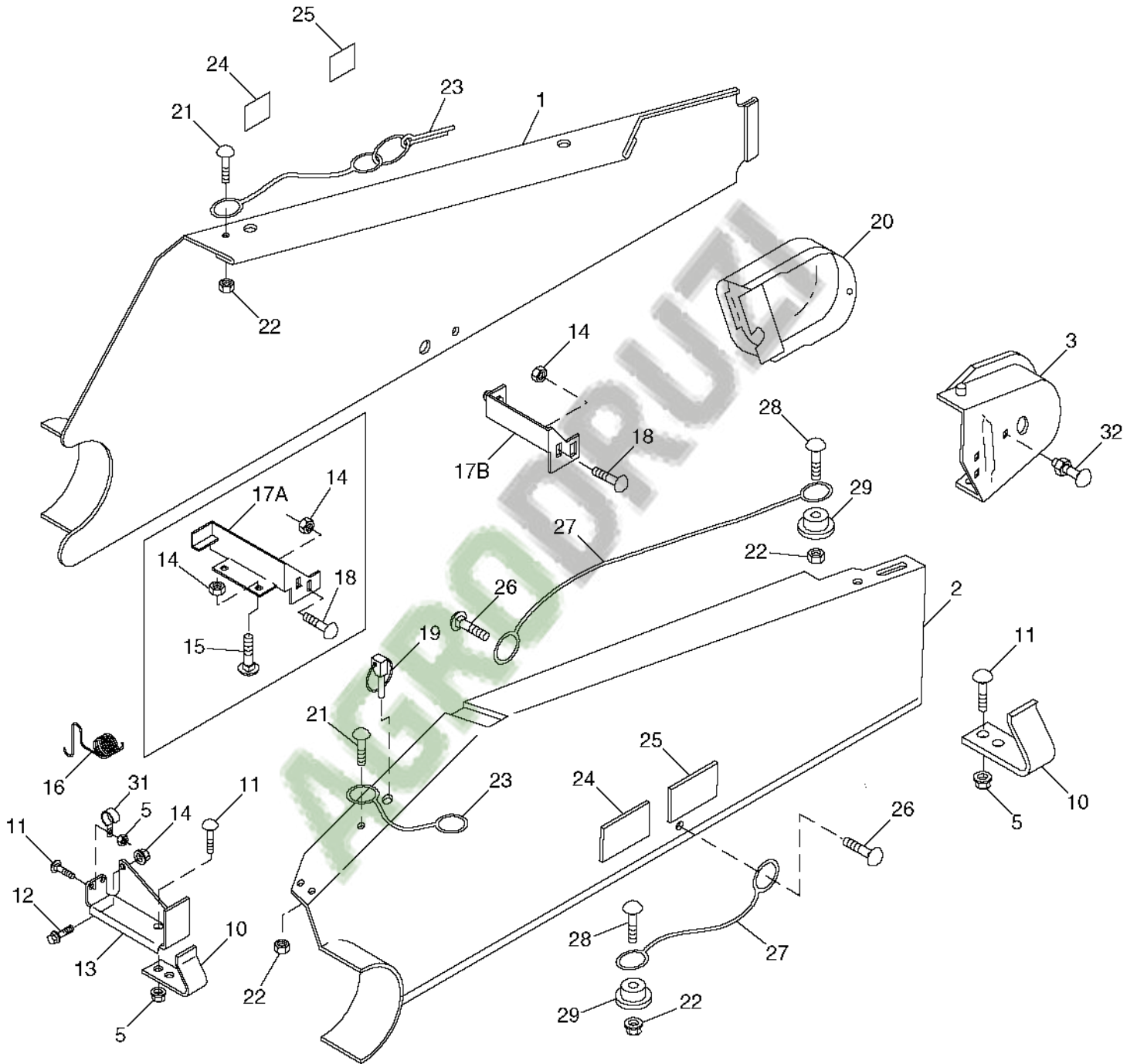
CAB HARDWARE KIT
HP3731 -UN-01SEP99



HP3731

8C4

FEEDER HOUSE DRIVE SHIELDS AND SAFETY STOP
HP9311 -UN-19NOV99

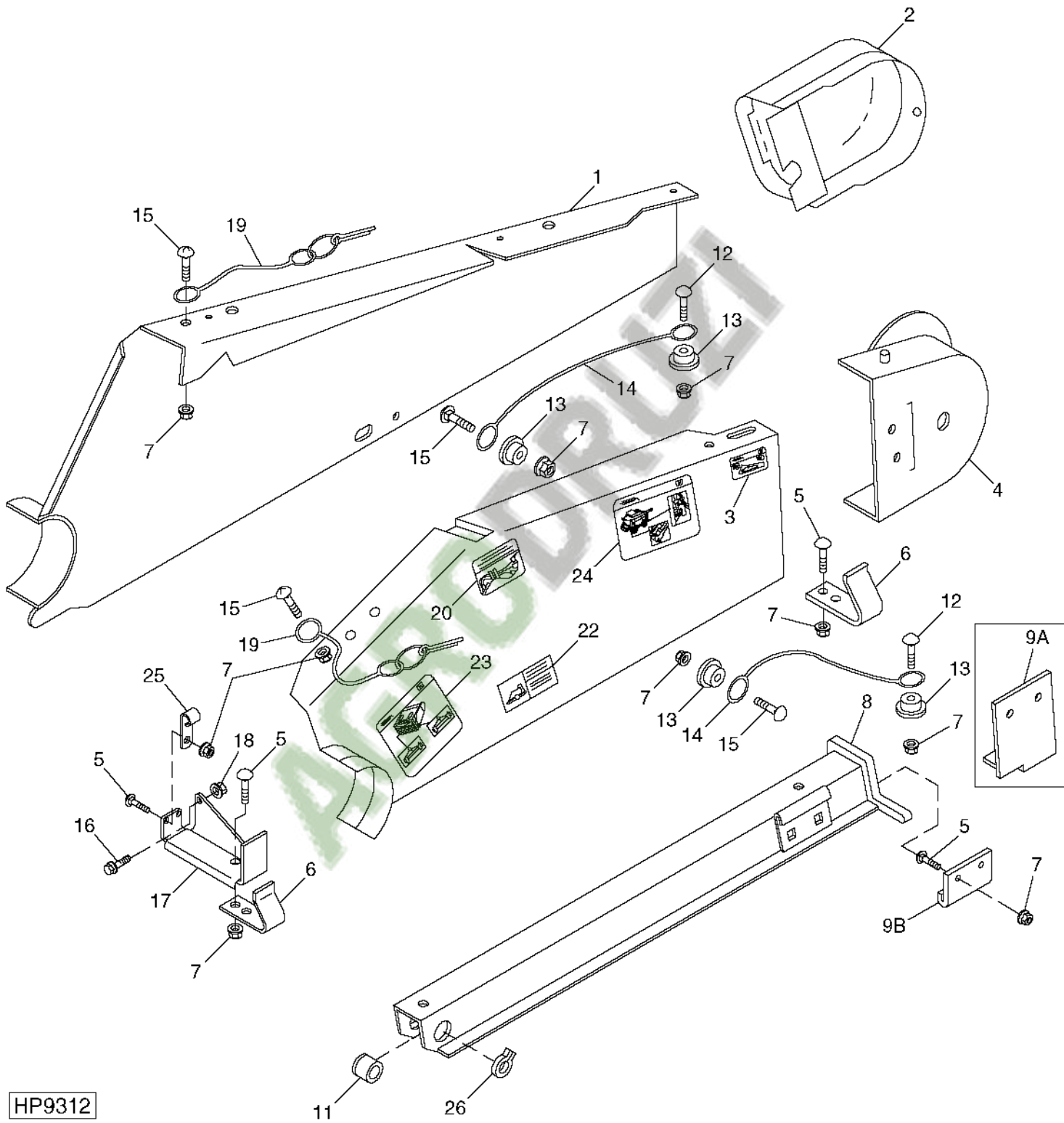


HP9311

8C6

FEEDER HOUSE DRIVE SHIELDS AND SAFETY STOP (SIDEHILL)

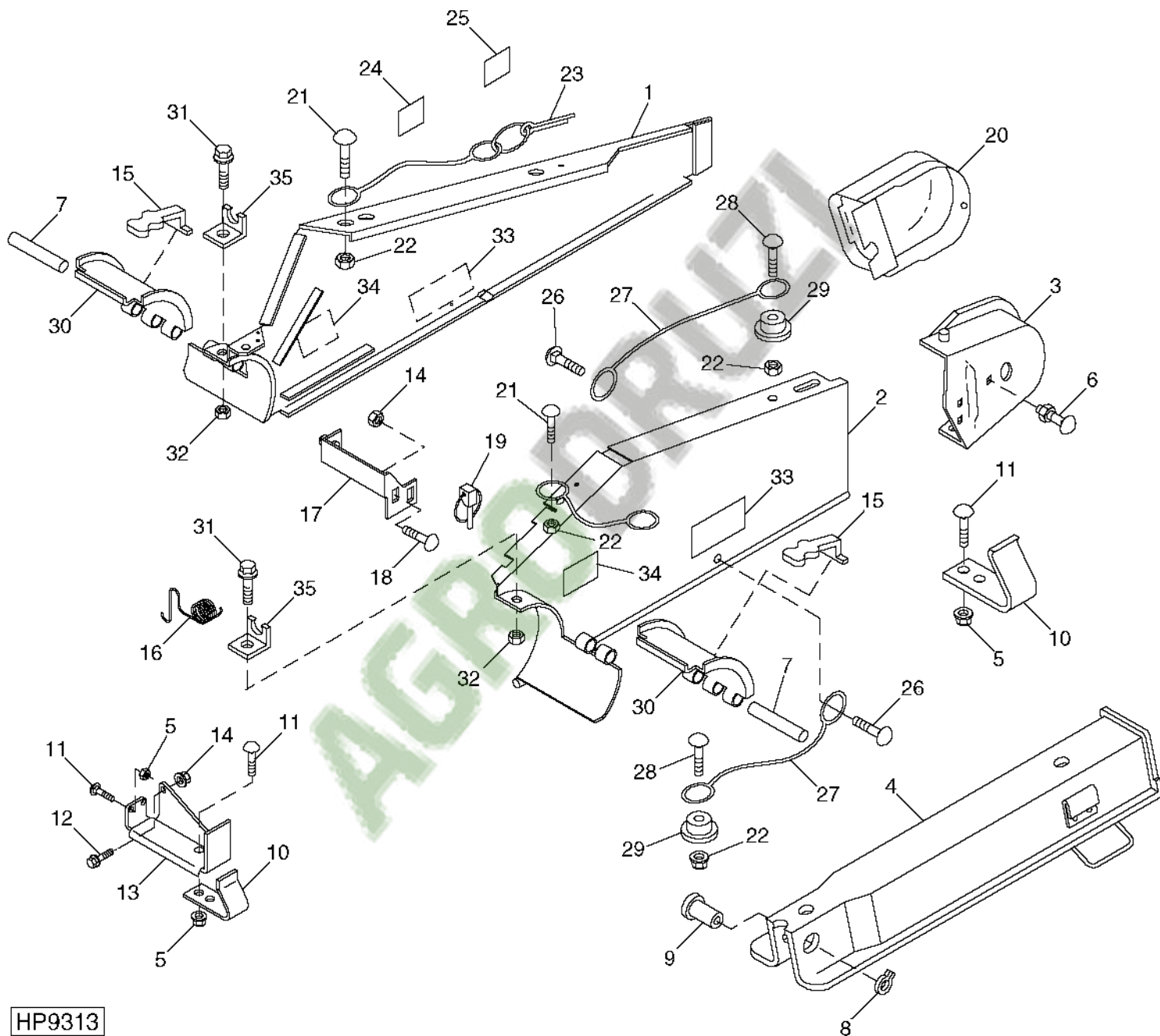
HP9312 -UN-18NOV99



HP9312

FEEDER HOUSE DRIVE SHIELDS AND SAFETY STOP - CONTOUR MASTER

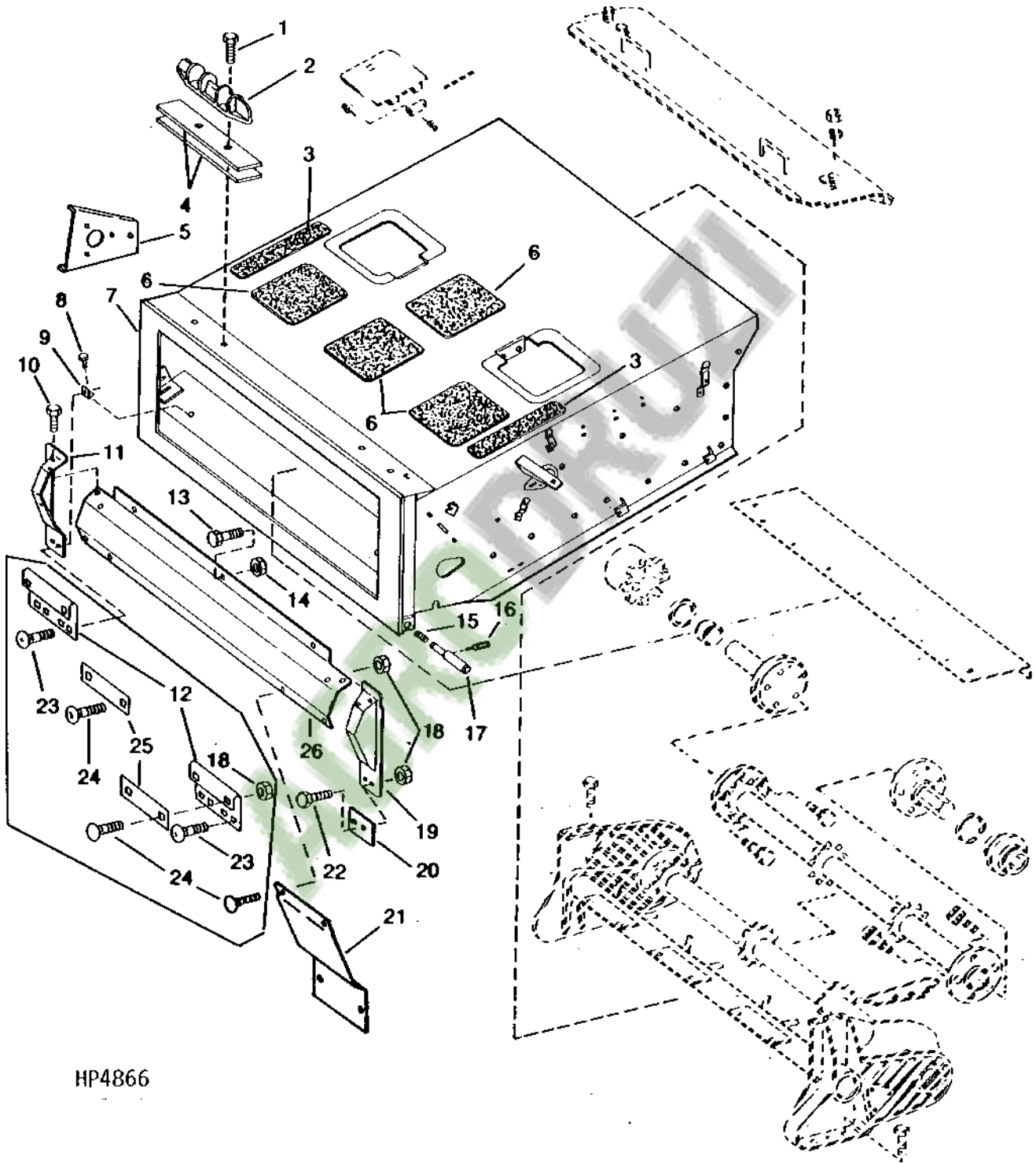
(661186-)
HP9313 -UN-19NOV99



HP9313

8C10

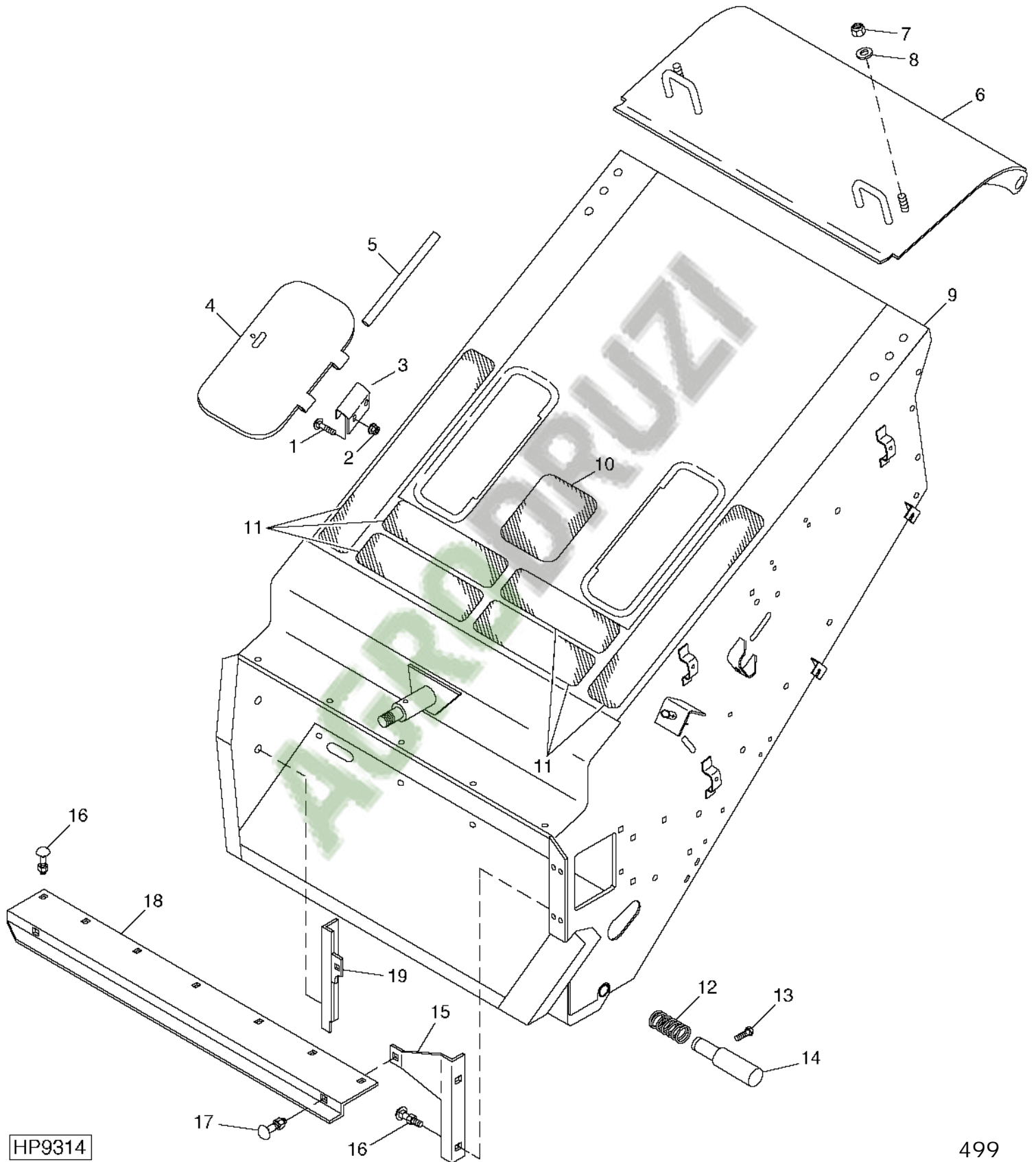
FEEDER HOUSE FRAME
HP4866 -UN-01JAN94



HP4866

8C12

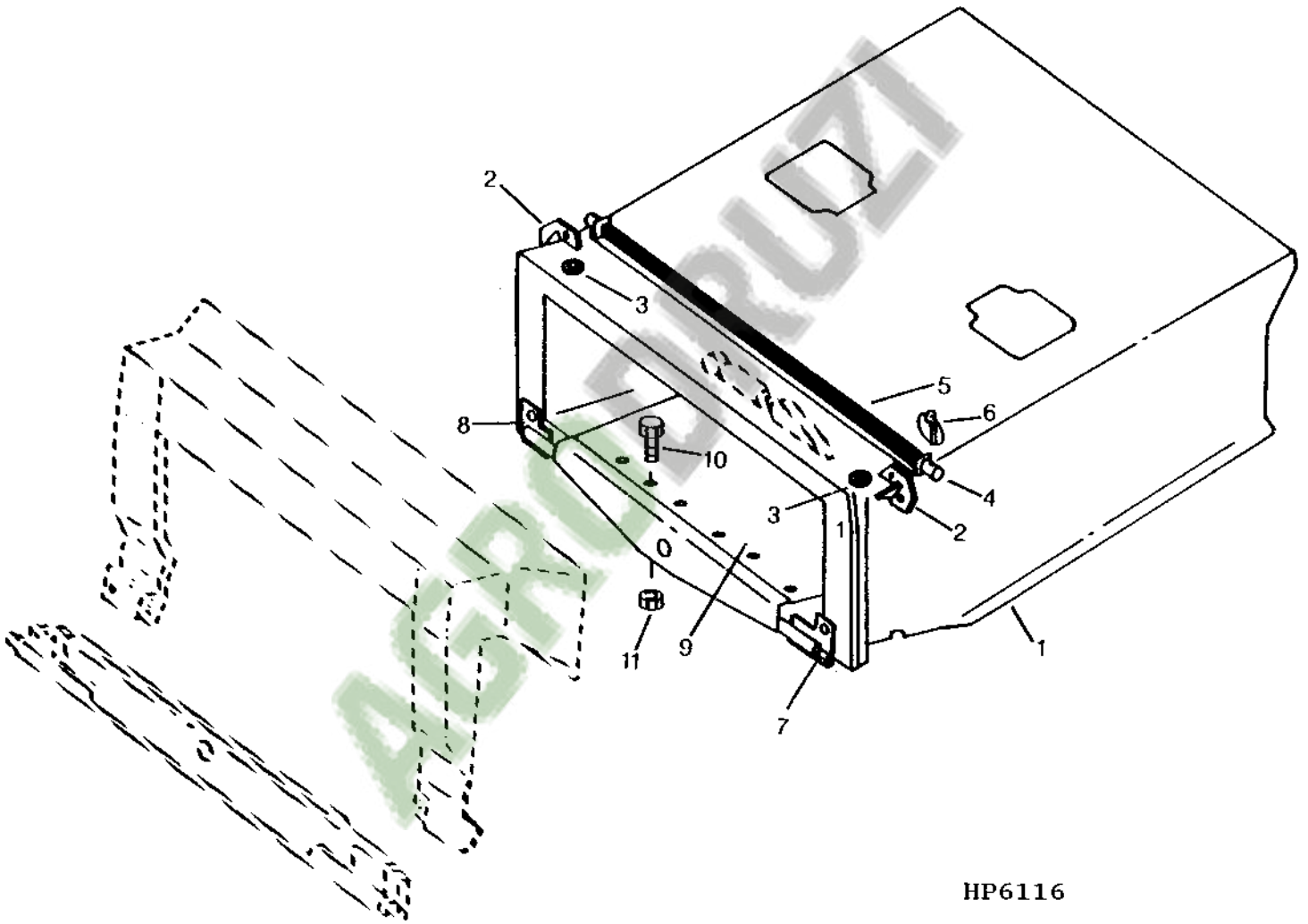
FEEDER HOUSE FRAME (SIDEHILL)
HP9314 -UN-17NOV99



HP9314

8C14

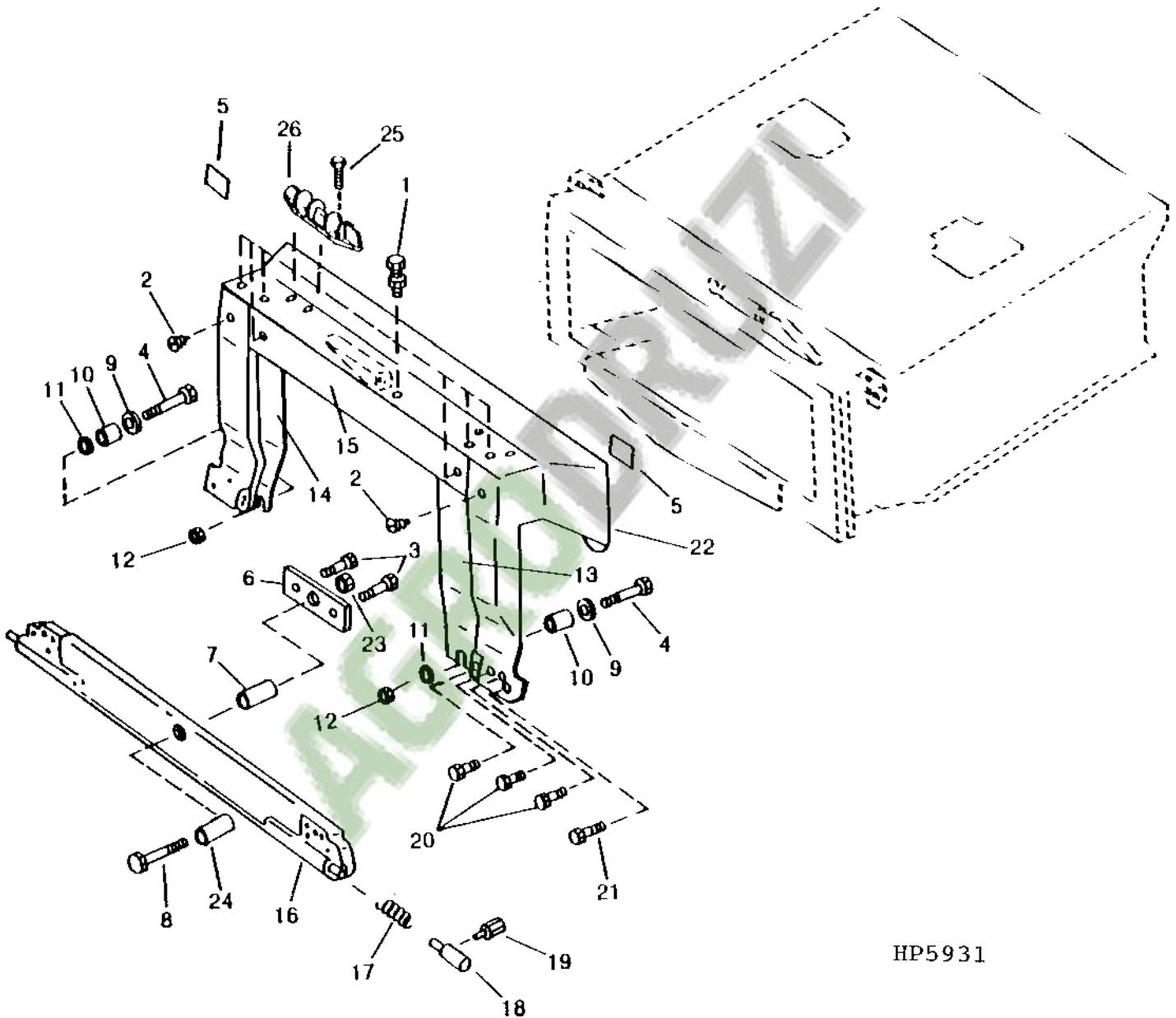
FEEDER HOUSE SHELL, WEAR PLATES AND SEALS - CONTOUR MASTER
HP6116 -UN-29JUN95



HP6116

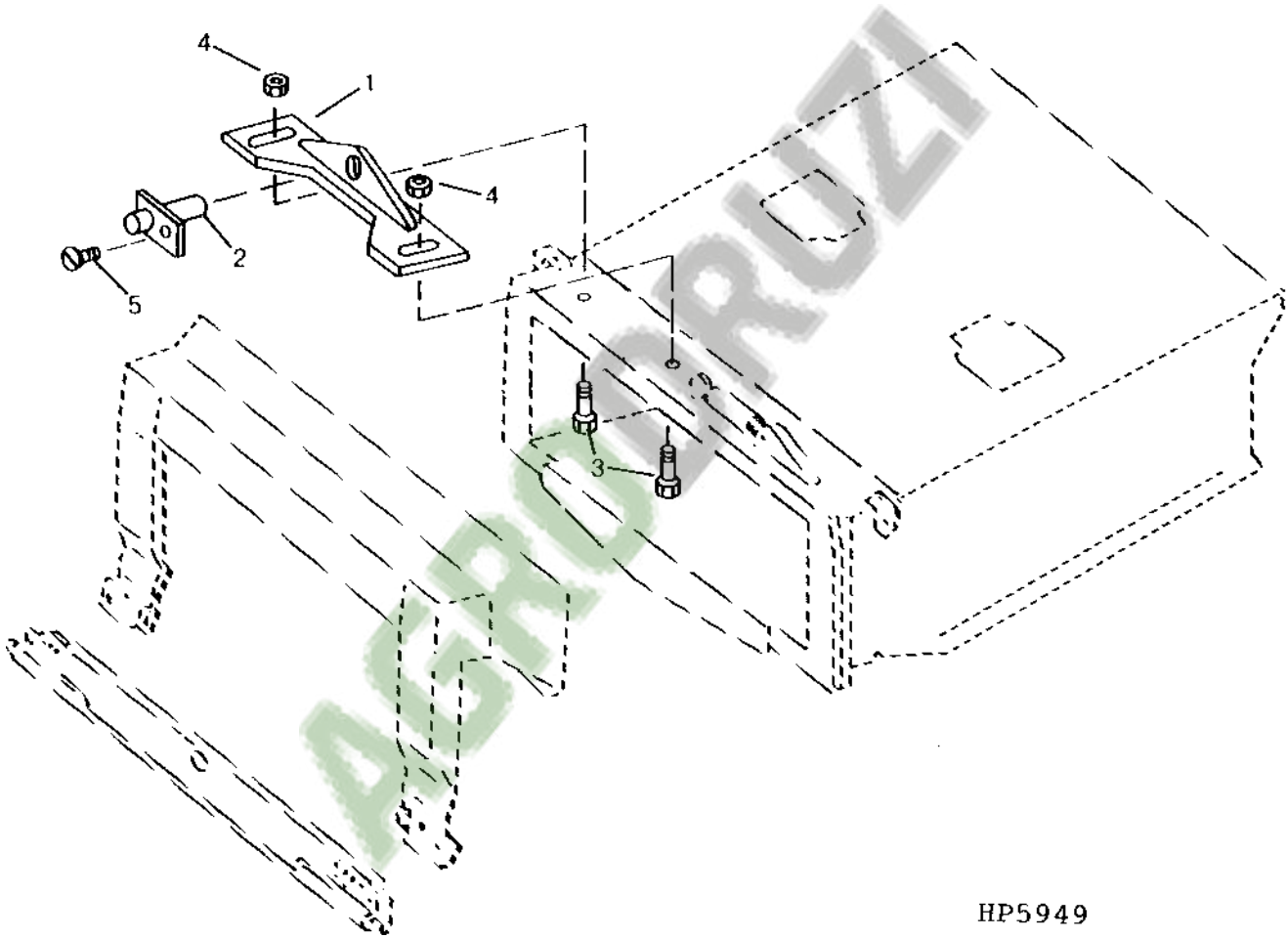
8C16

FEEDER HOUSE FRAME, TILT BEAM AND CLOSURE PLATES - CONTOUR MASTER
HP5931 -UN-14FEB95



HP5931

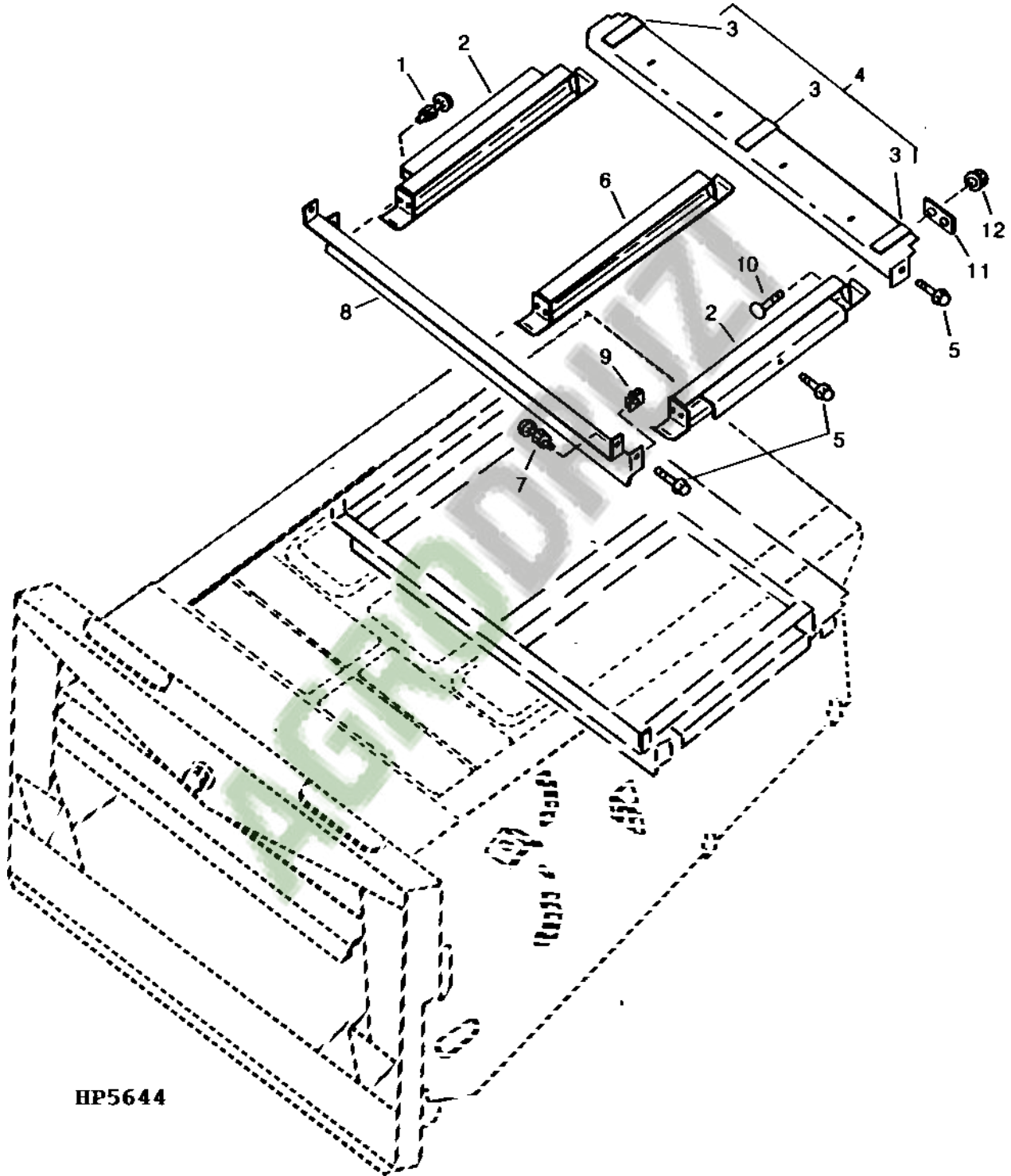
LOCKOUT ASSEMBLY - CONTOUR MASTER (OPTIONAL)
(BELT PICK-UP PLATFORM AND 4-ROW CORN HEADS ONLY)
HP5949 -UN-02MAY95



HP5949

8C20

CONVEYOR CHAIN RETURN FLOOR
(SIDEHILL)
HP5644 -UN-01JAN94

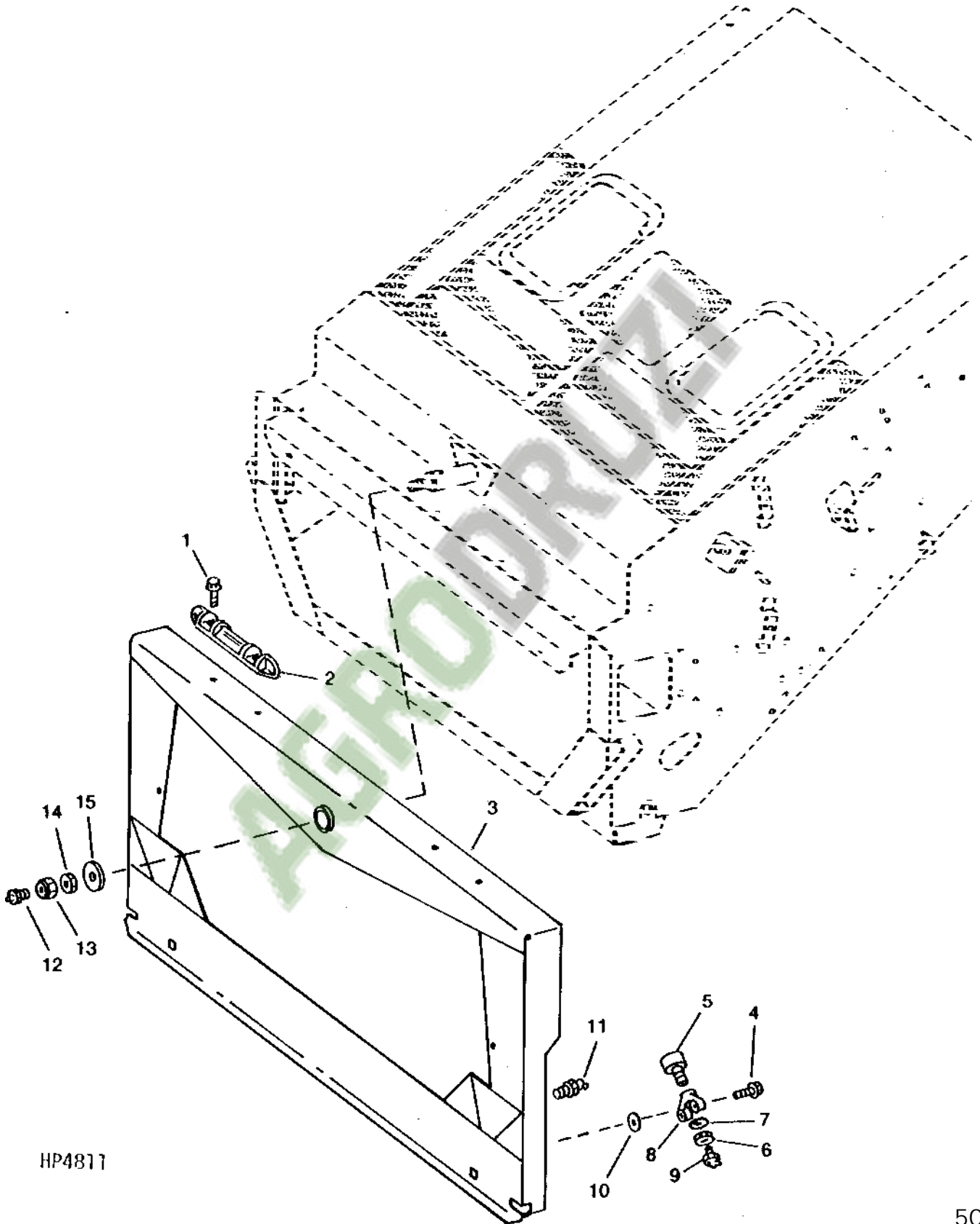


HP5644

8C22

FEEDER HOUSE OUTER CLOSURE FRAME (SIDEHILL)

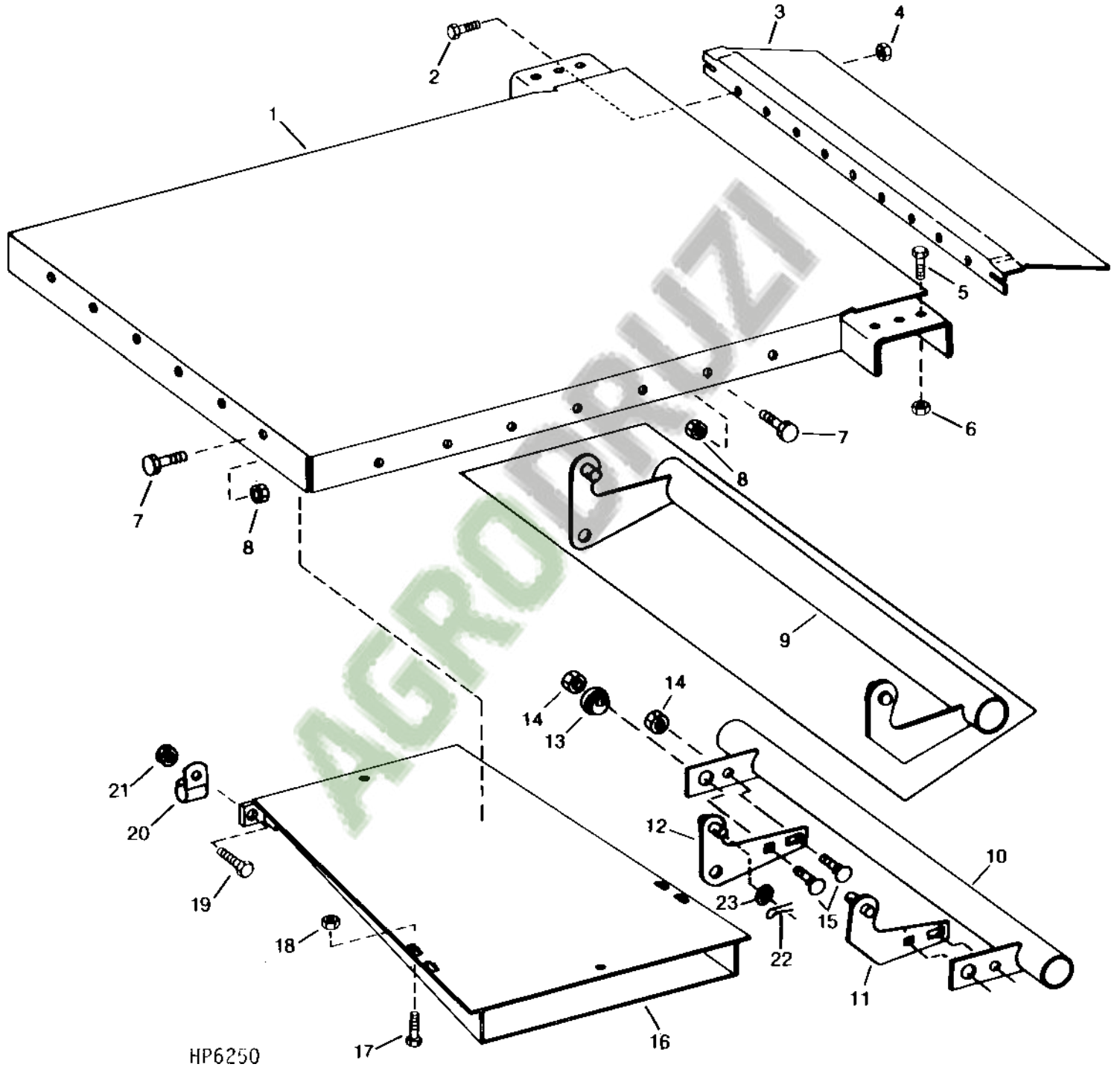
HP4811 -UN-01JAN94



HP4811

8C24

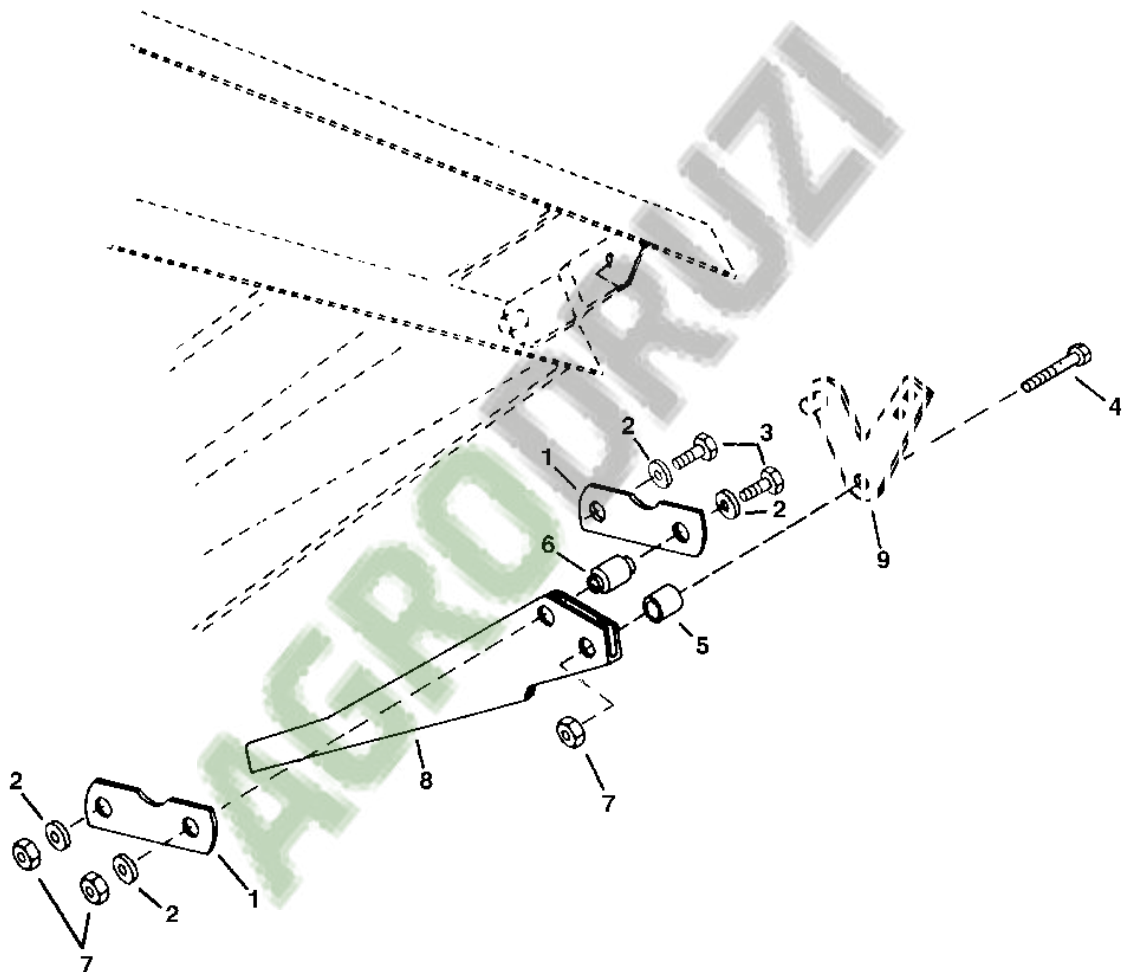
FEEDER HOUSE FLOOR AND SUPPORT
HP6250 -UN-12JAN96



HP6250

8D1

FEED PLATE LATCH HANDLE HP6514 -UN-15JUL96



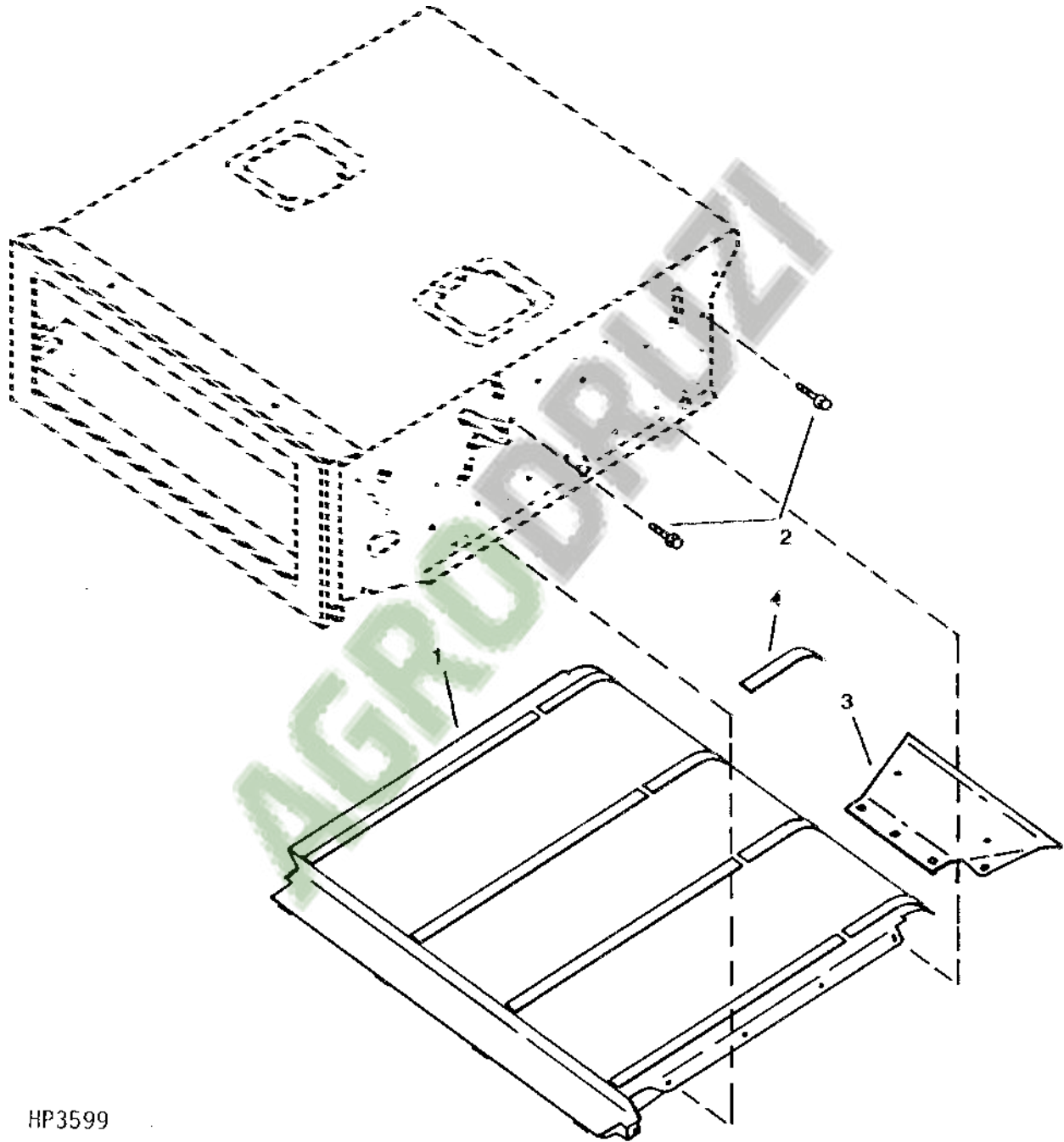
HP6514

8D3

FEEDER HOUSE RETURN FLOOR

(-643900)

HP3599 -UN-01JAN94

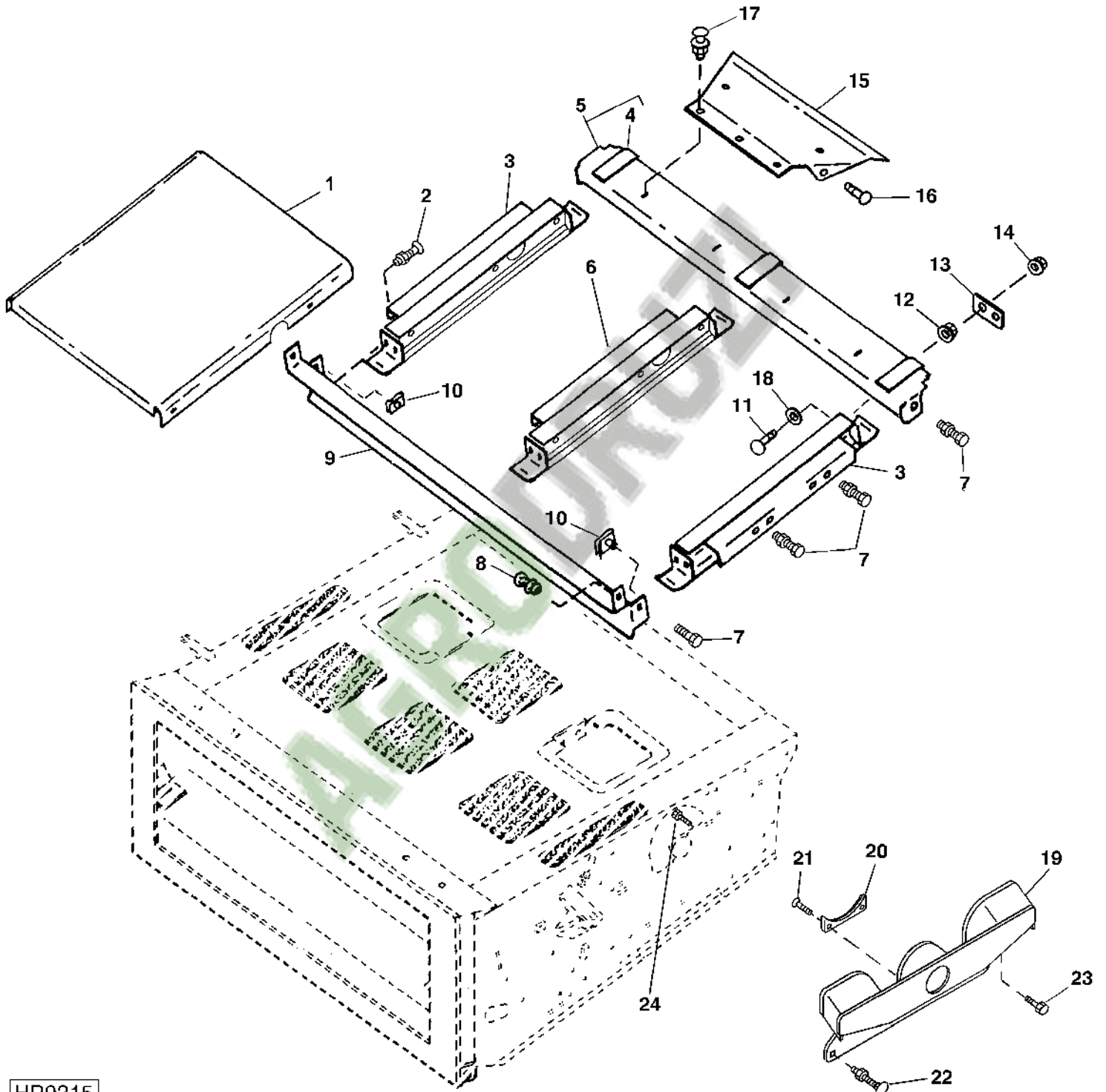


HP3599

8D5

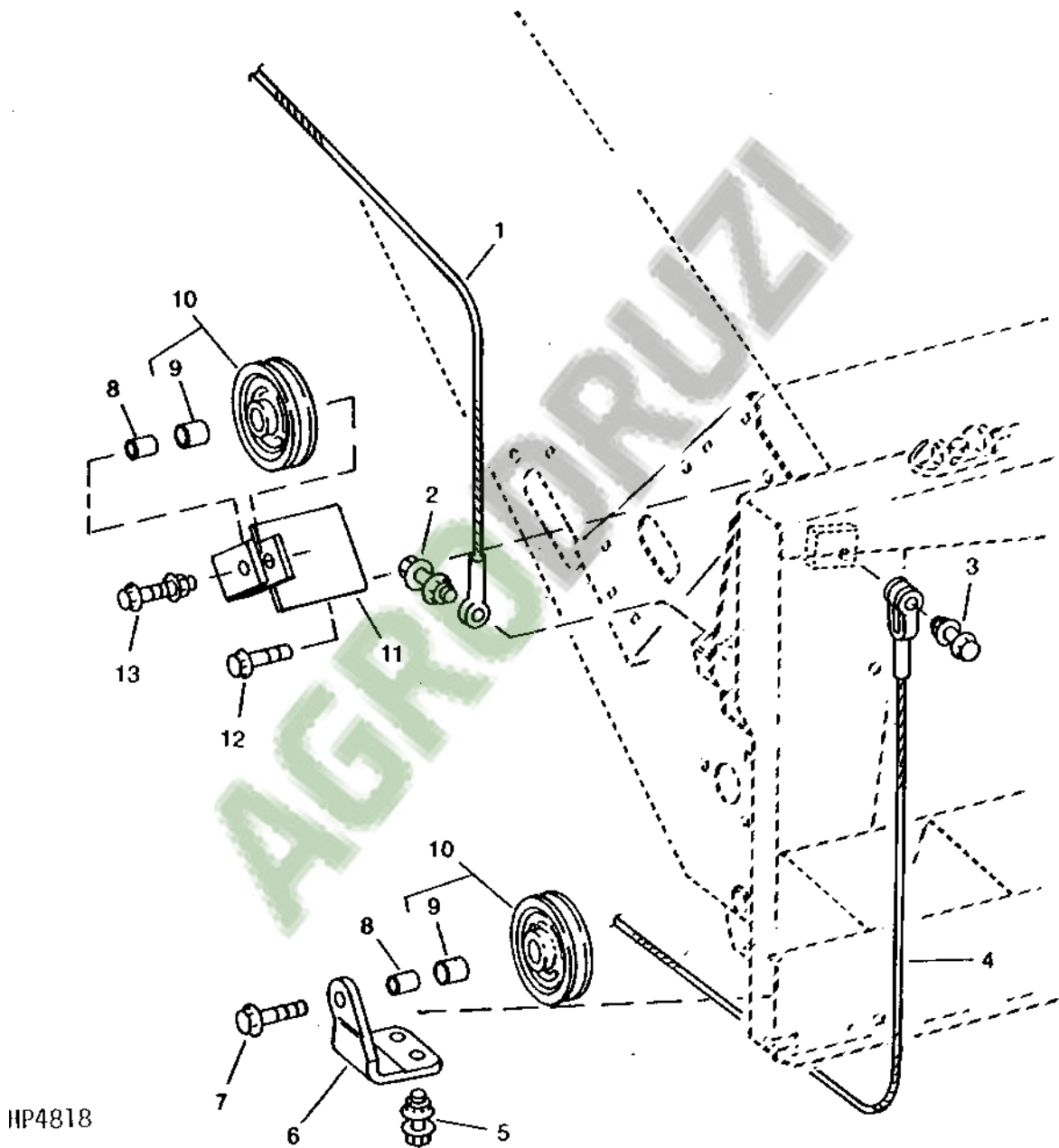
FEEDER HOUSE RETURN FLOOR

(643901-)
HP9315 -UN-17NOV99



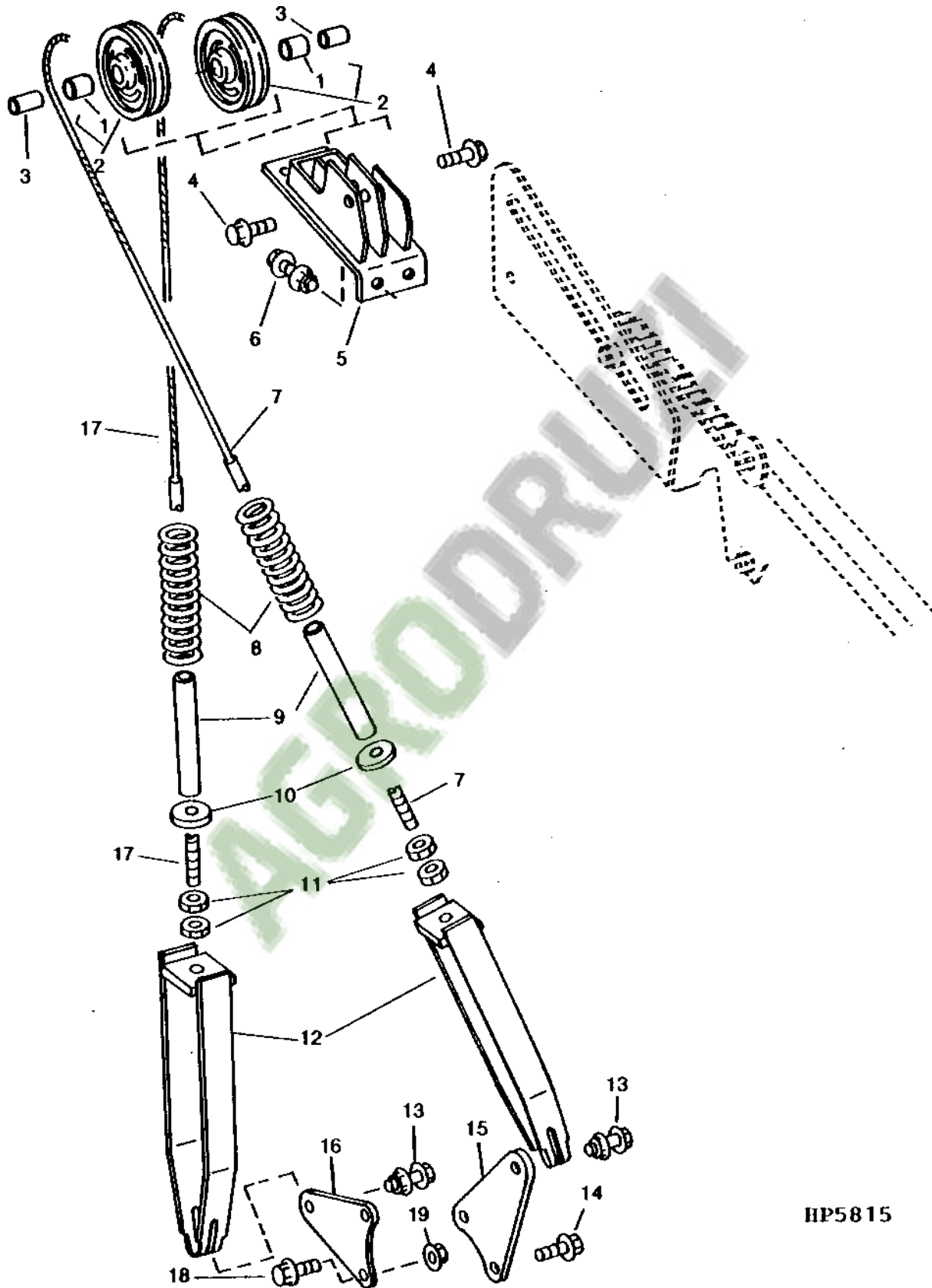
HP9315

LEVELING CABLES, SHEAVES AND BRACKETS
(SIDEHILL) (LOWER FRONT)
HP4818 -UN-01JAN94



HP4818

LEVELING CABLES, SHEAVES AND BRACKETS
(SIDEHILL) (UPPER REAR)
HP5815 -UN-01JAN94

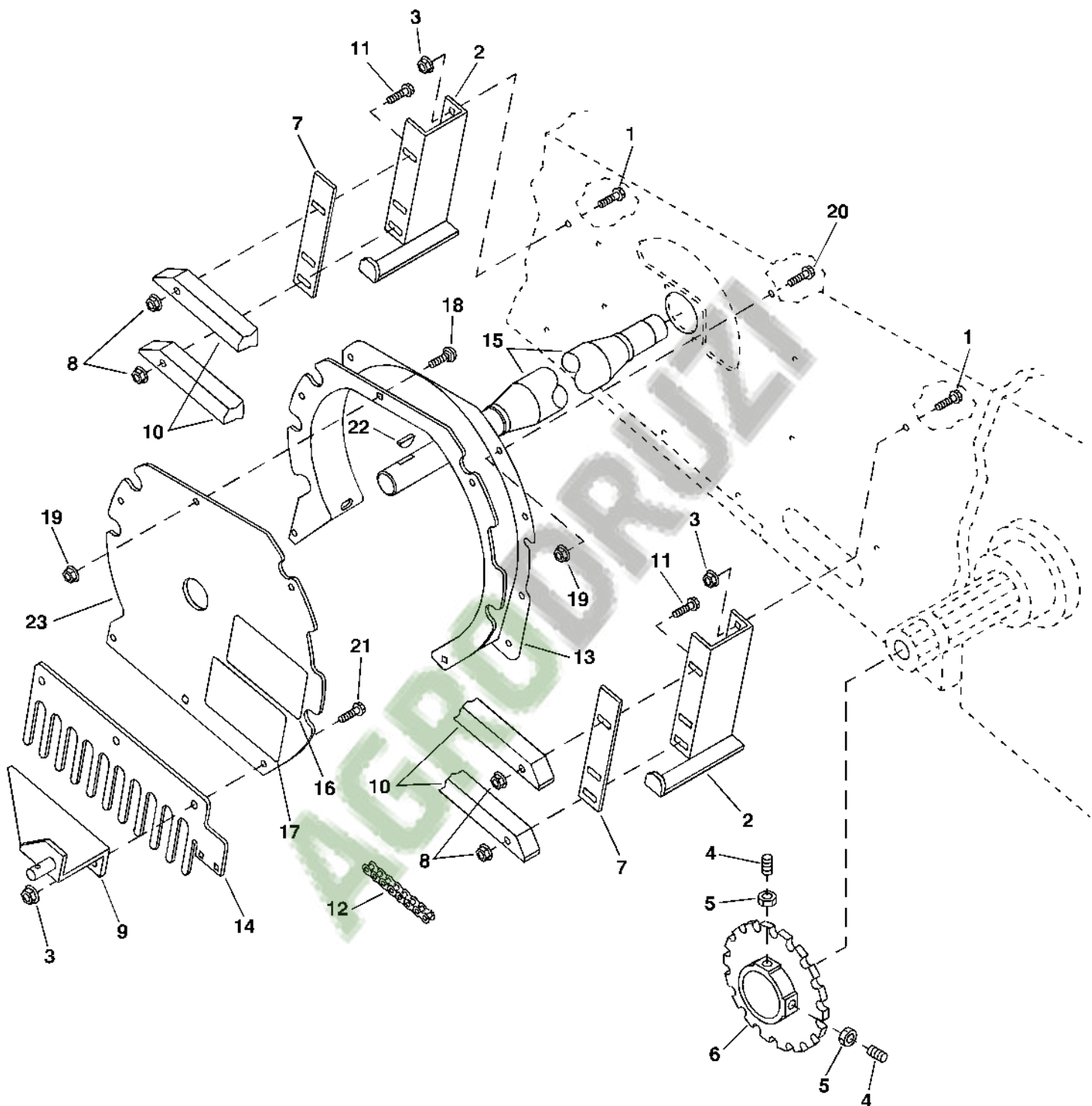


HP5815

8D11

FEEDER CONVEYOR DRIVE CHAIN, TIGHTENER AND GUIDES-RETROFIT INSTALLATION (5JAN98-)

HP7294 -UN-12JAN98



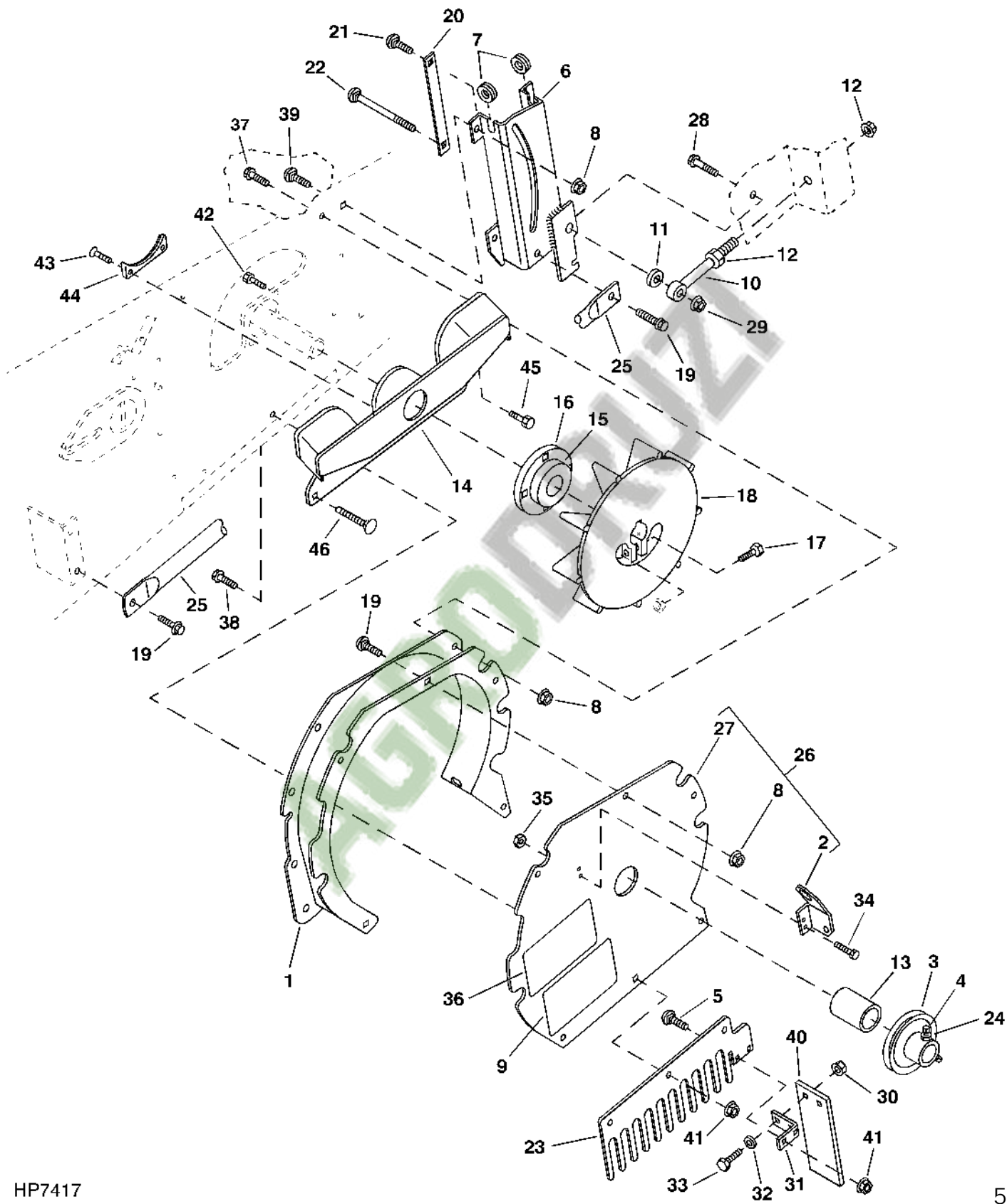
HP7294

511

8D13

LH SIDE FEEDER HOUSE DUST FAN - RETROFIT INSTALLATION (5JAN98-)

HP7417 -UN-11FEB98



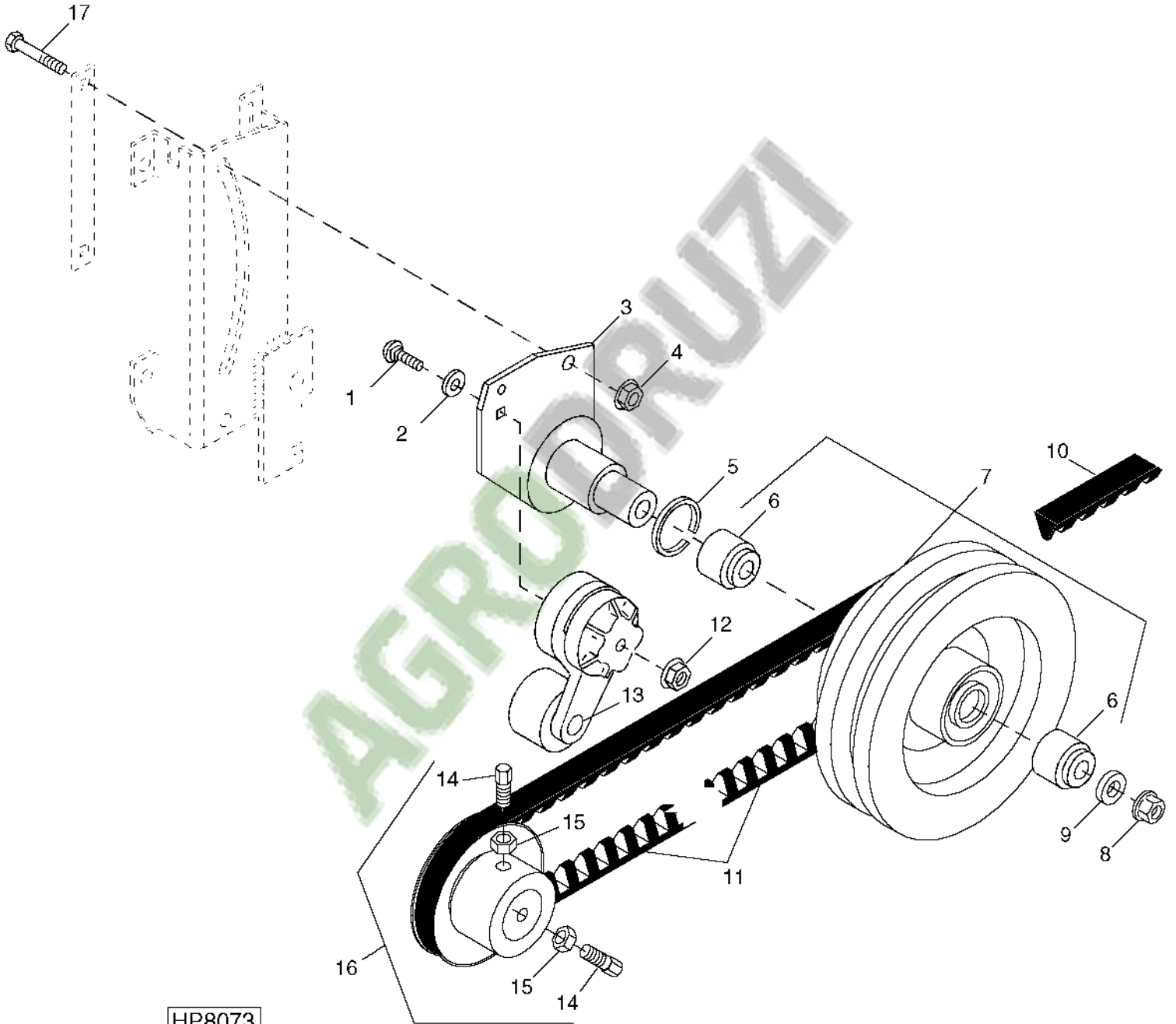
HP7417

512

8D15

LH SIDE FEEDER HOUSE DUST FAN BELT - RETROFIT INSTALLATION
HP8073 -UN-08APR99

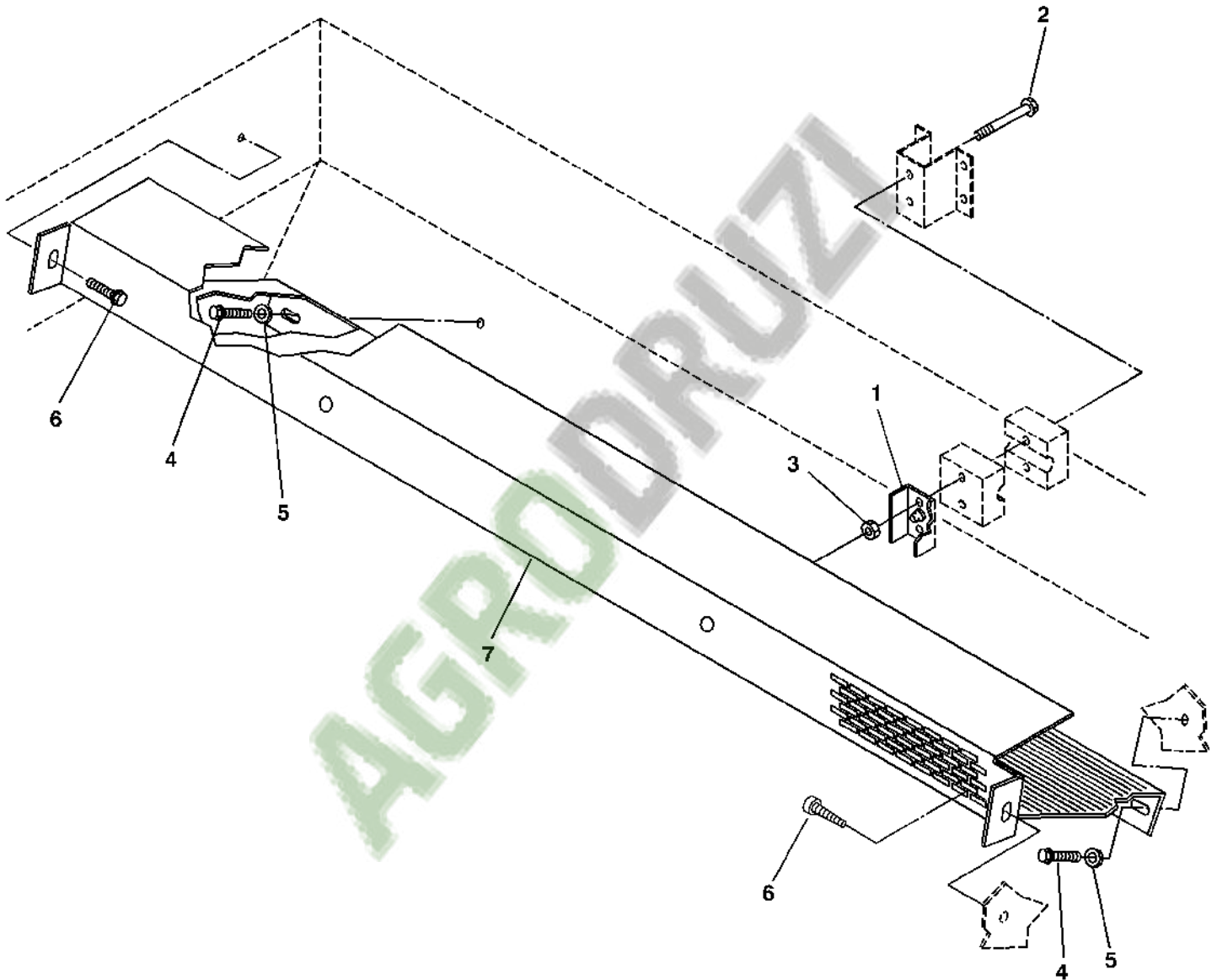
(5JAN98-)



HP8073

8D17

INTAKE SHIELD
HP7287 -UN-05DEC97



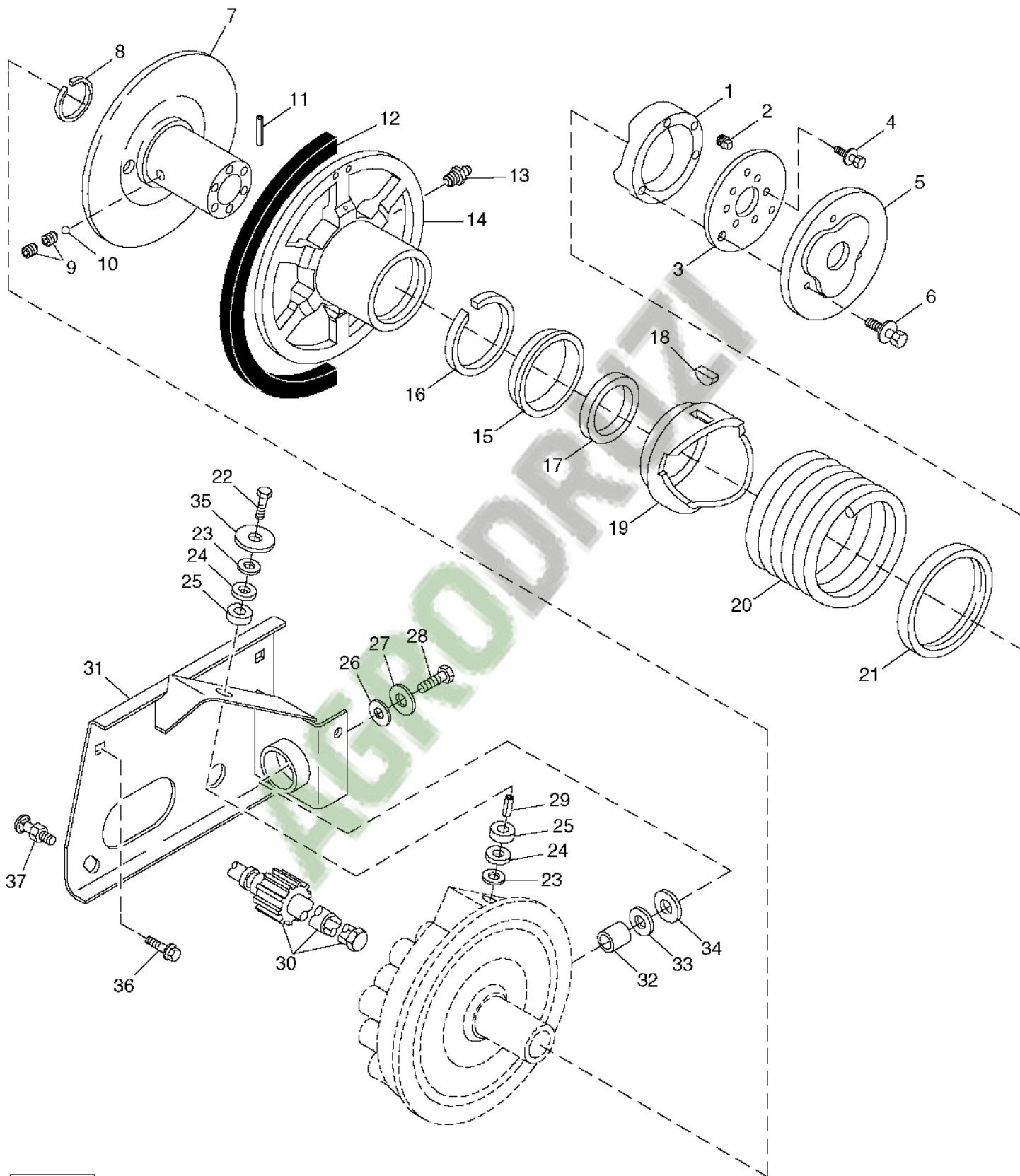
HP7287

514

8D19

FRONT VARIABLE DRIVE SHEAVE AND MOUNTINGS

HP9316 -UN-08DEC99

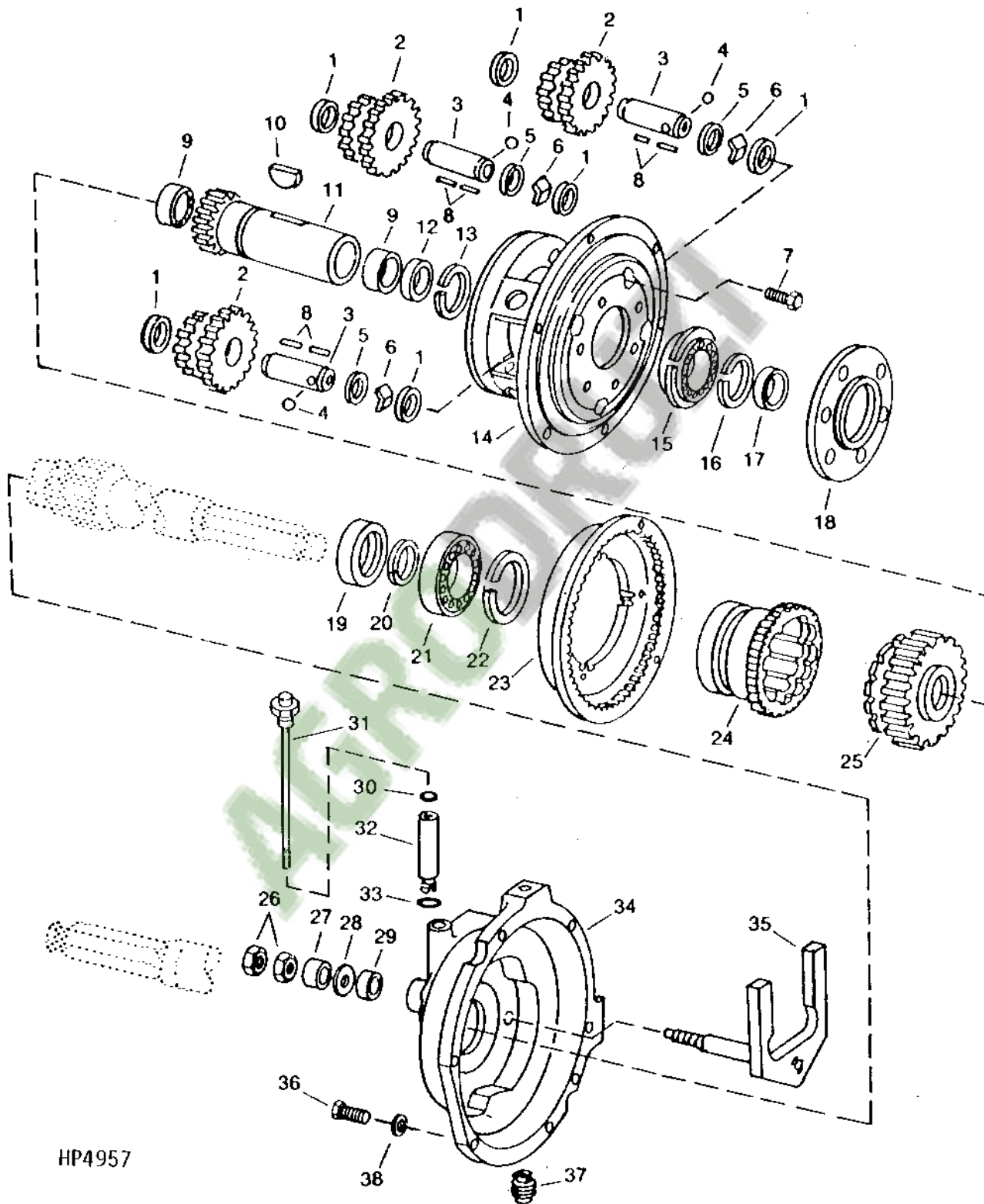


HP9316

515

8D21

REVERSER GEAR BOX
HP4957 -UN-01JAN94



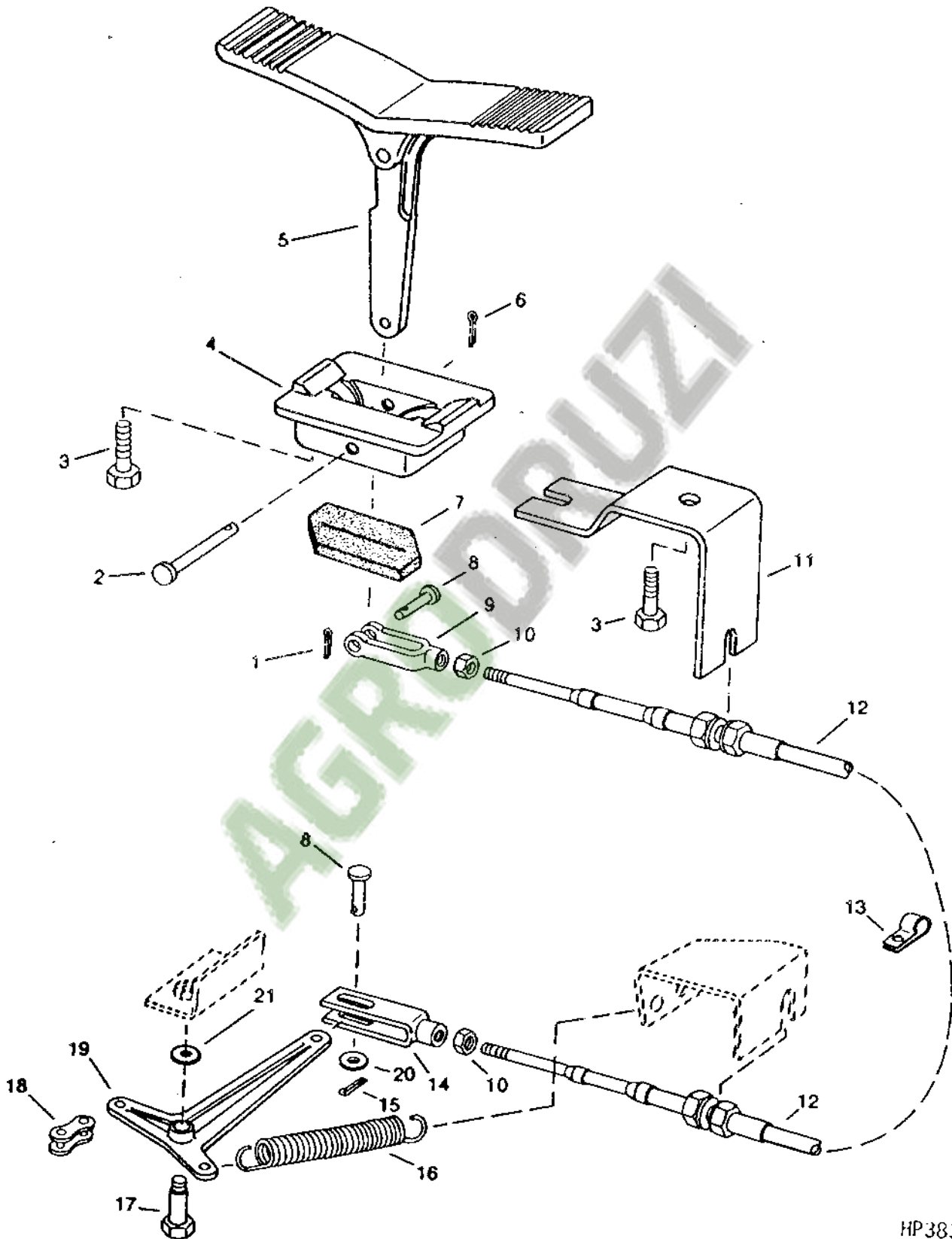
HP4957

8D23

FEEDER HOUSE FRAMES AND SHIELDS

FEEDER HOUSE REVERSER FOOT CONTROL

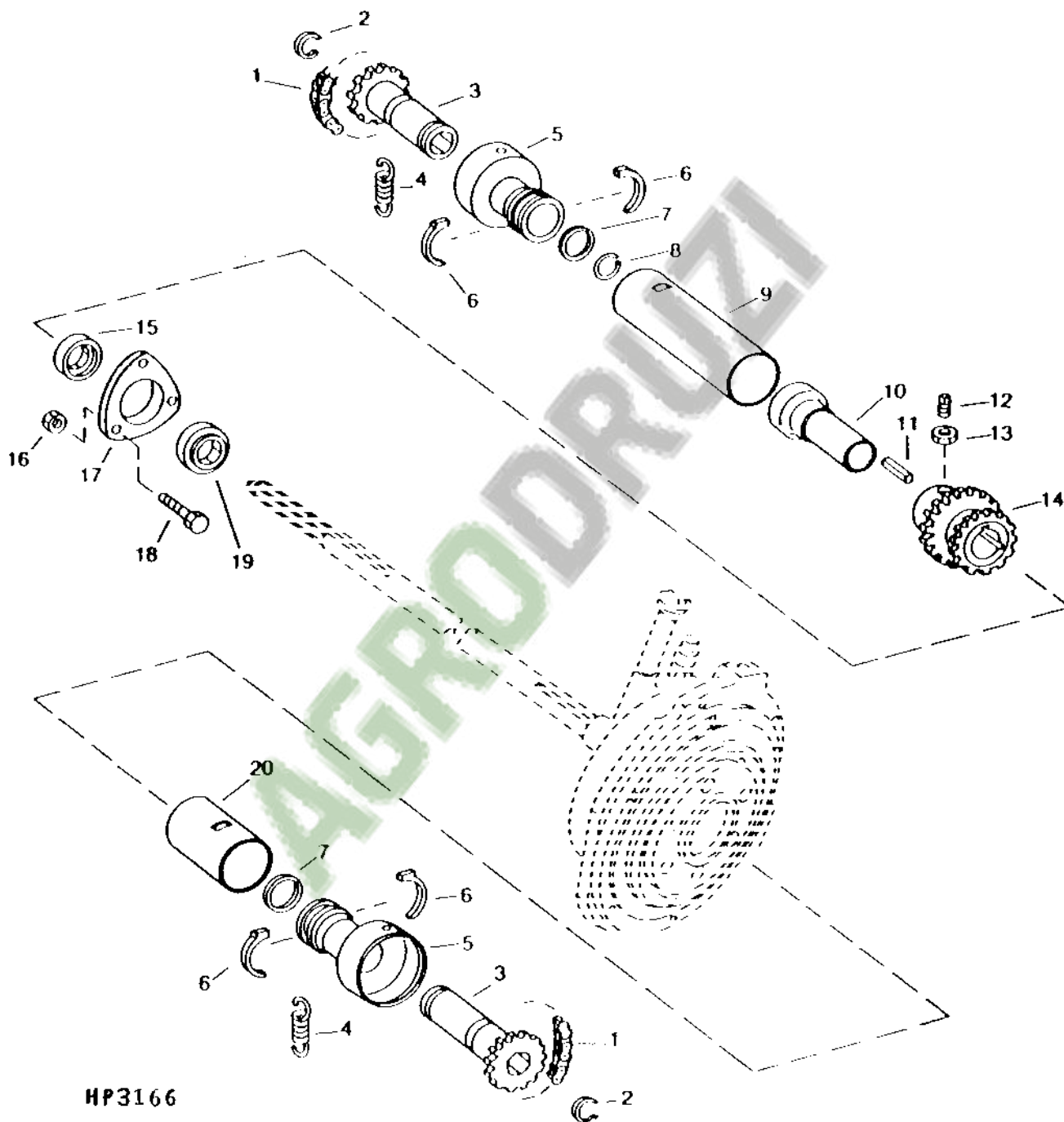
HP3833 -UN-01JAN94



HP3833 517

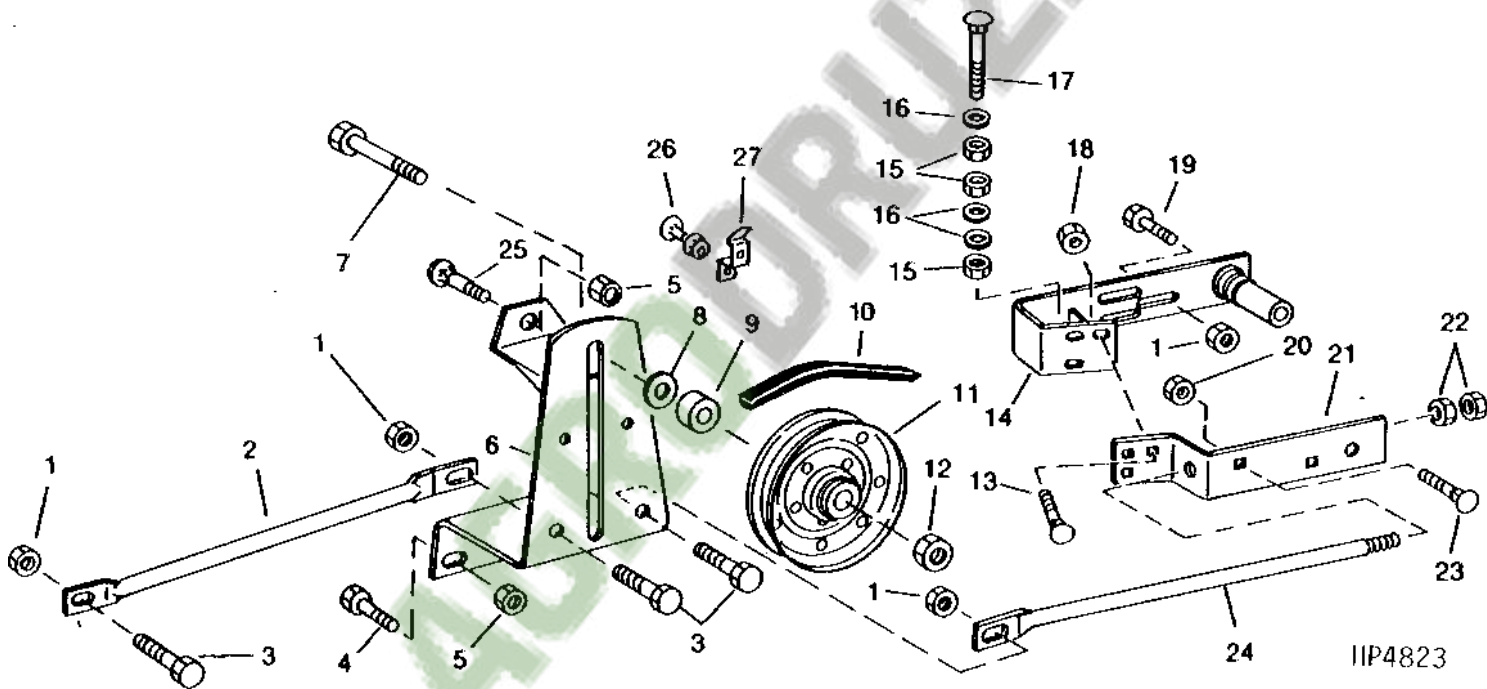
FRONT SHAFT WITH REVERSER - (VARIABLE)

HP3166 -UN-21JUL95



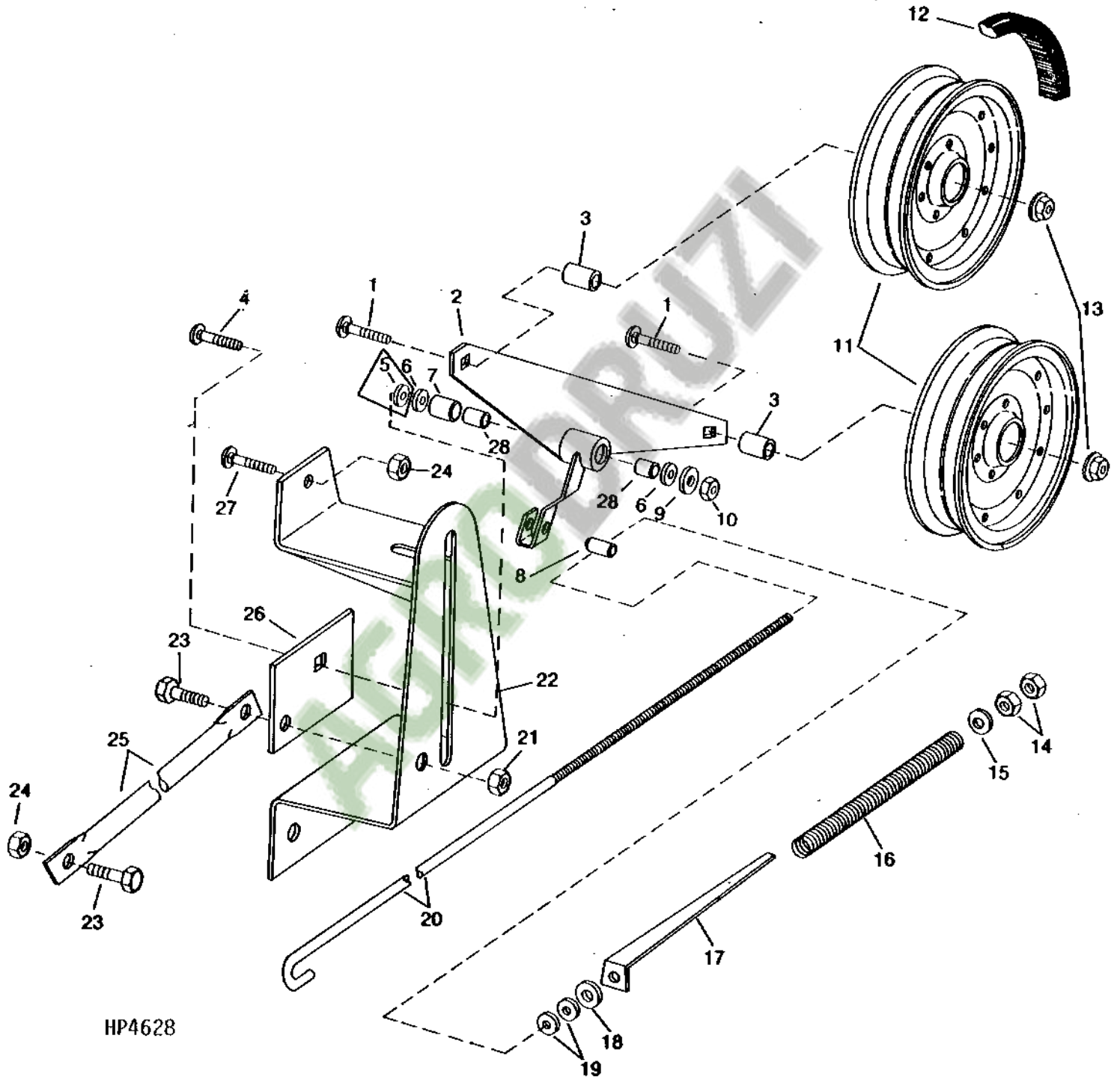
HP3166

VARIABLE SPEED DRIVE TIGHTENER
HP4823 -UN-01JAN94



8E5

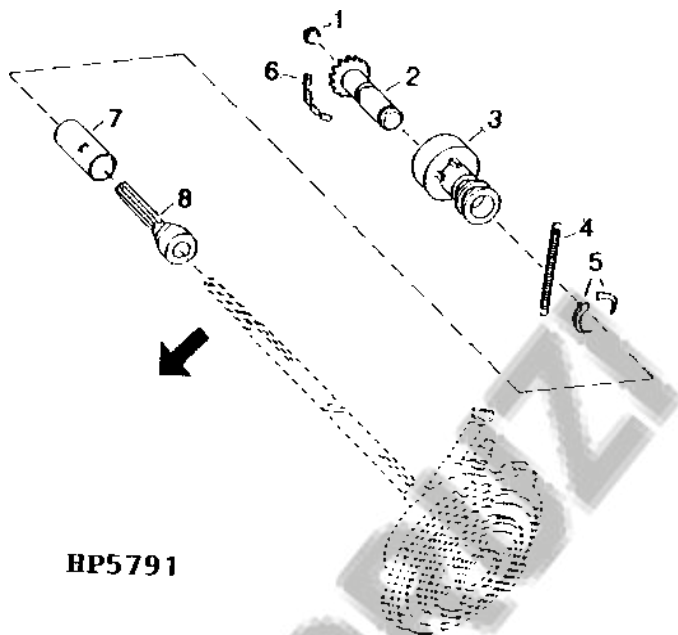
FIXED SPEED FEEDER HOUSE DRIVE TIGHTENER
HP4628 -UN-01JAN94



HP4628

**LOCKOUT ADAPTER KIT - CONTOUR MASTER
(BELT PICK-UP PLATFORM AND 4-ROW CORNHEADS ONLY)**

(660201-)
HP5791 -UN-15OCT94



HP5791

AGRODIA

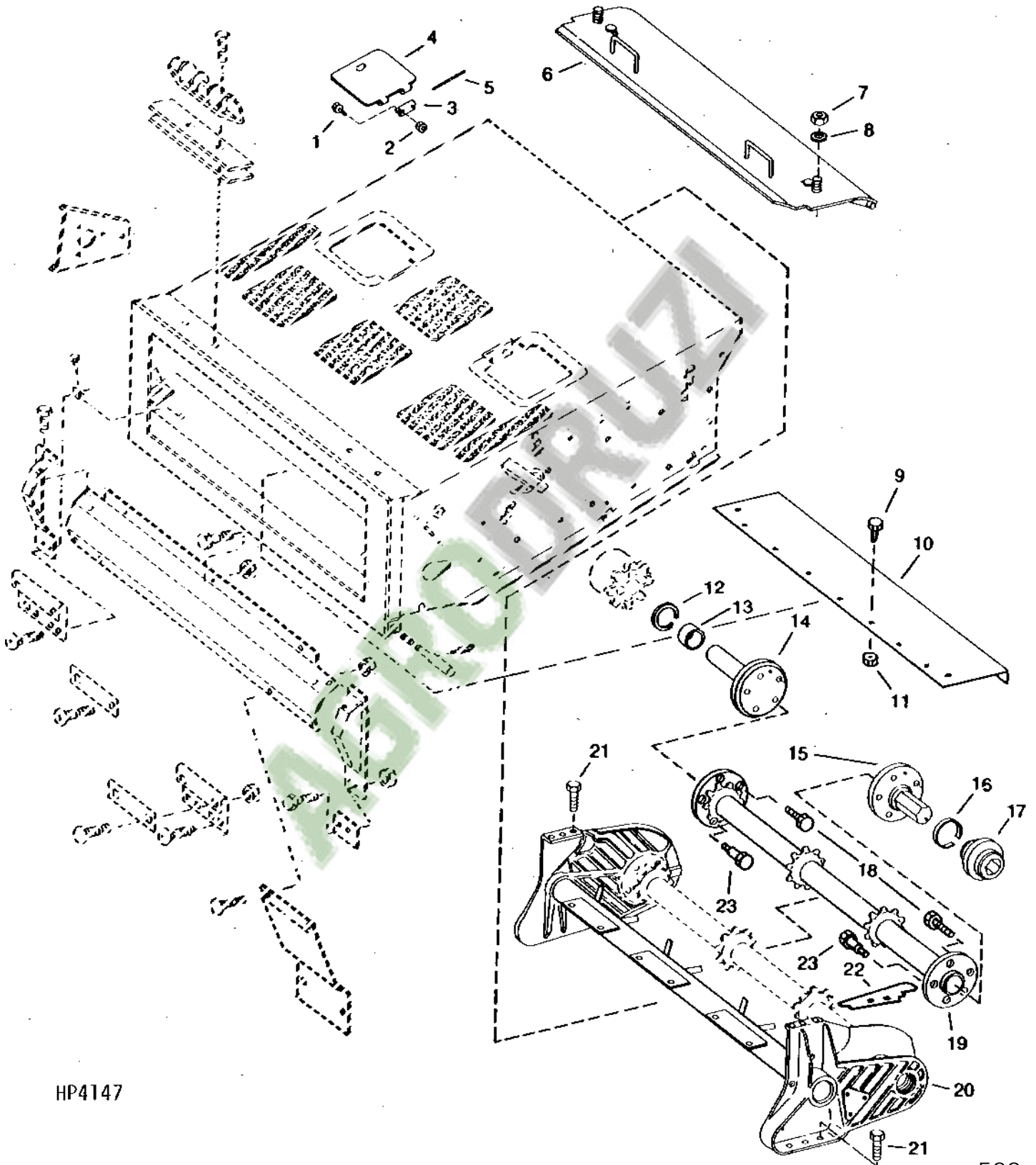
S
H
9 9
5 5
0 0
0 0

KEY	PART NO.	PART NAME	QTY	SERIAL NO.	REMARKS
-----	----------	-----------	-----	------------	---------

FEEDER HOUSE UPPER SHAFT

(-643900)

HP4147 -UN-01JAN94

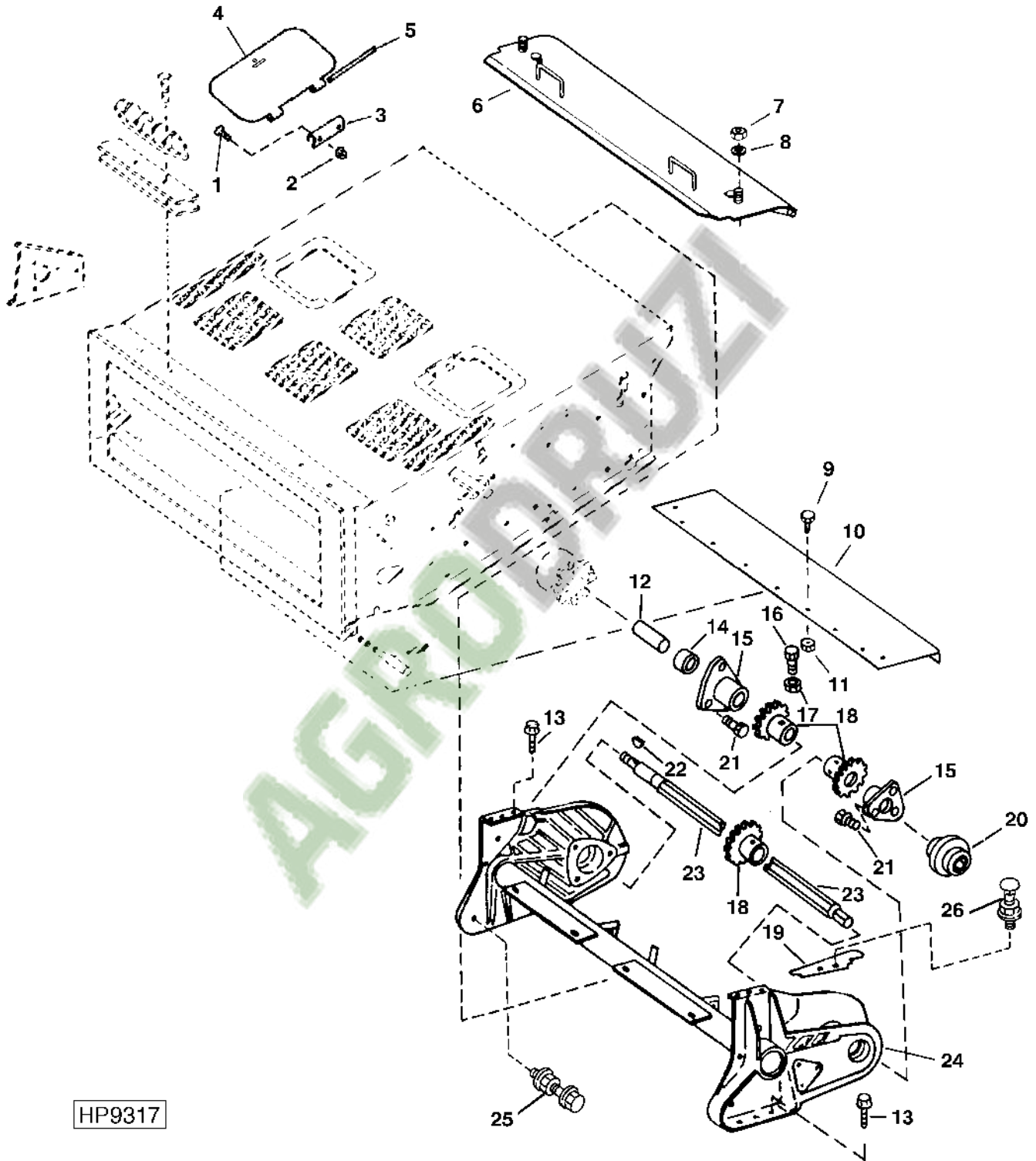


HP4147

8E10

FEEDER HOUSE UPPER SHAFT

(643901-)
HP9317 -UN-18NOV99

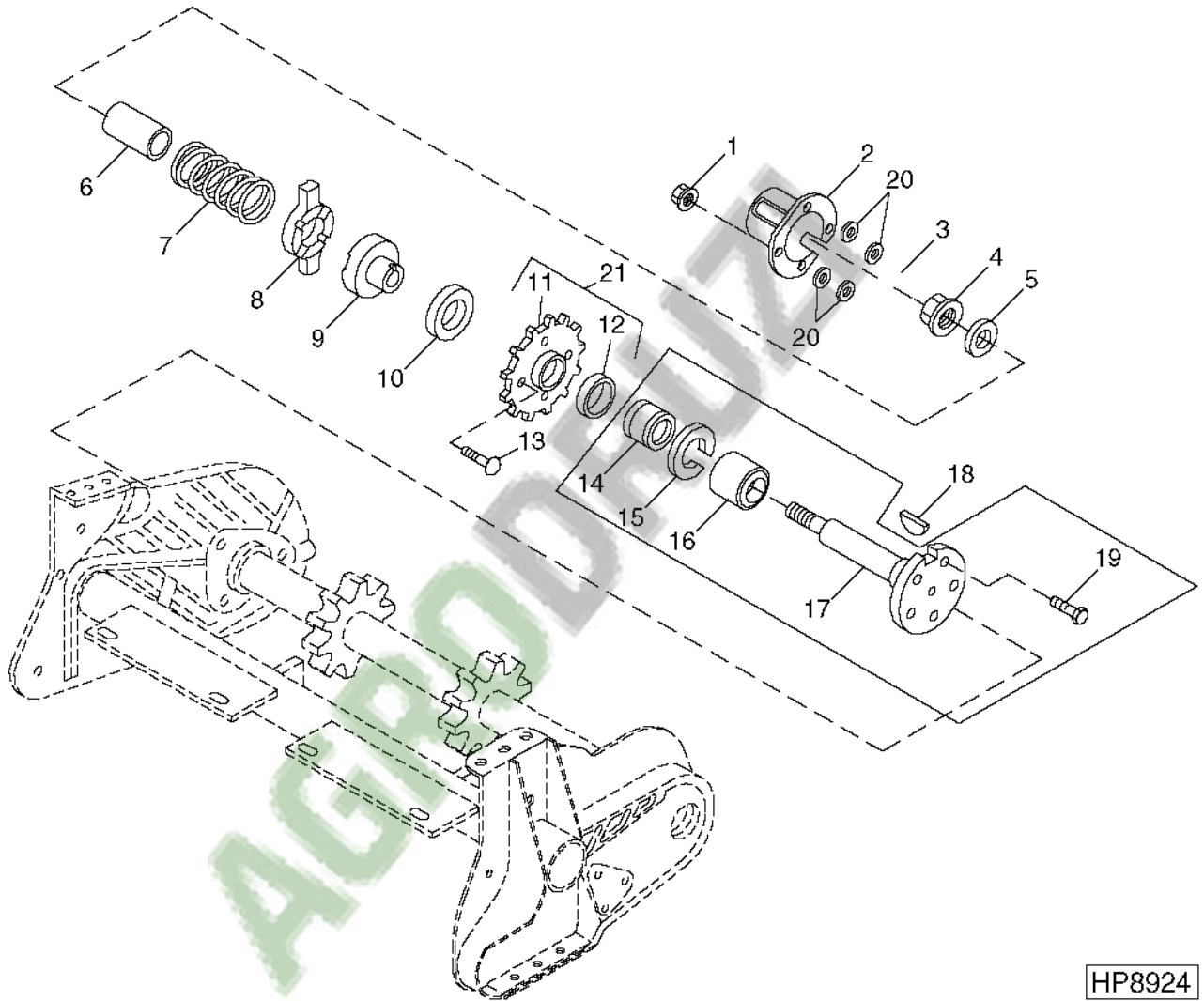


HP9317

8E12

FEEDER HOUSE SLIP CLUTCH

HP8924 -UN-25AUG99



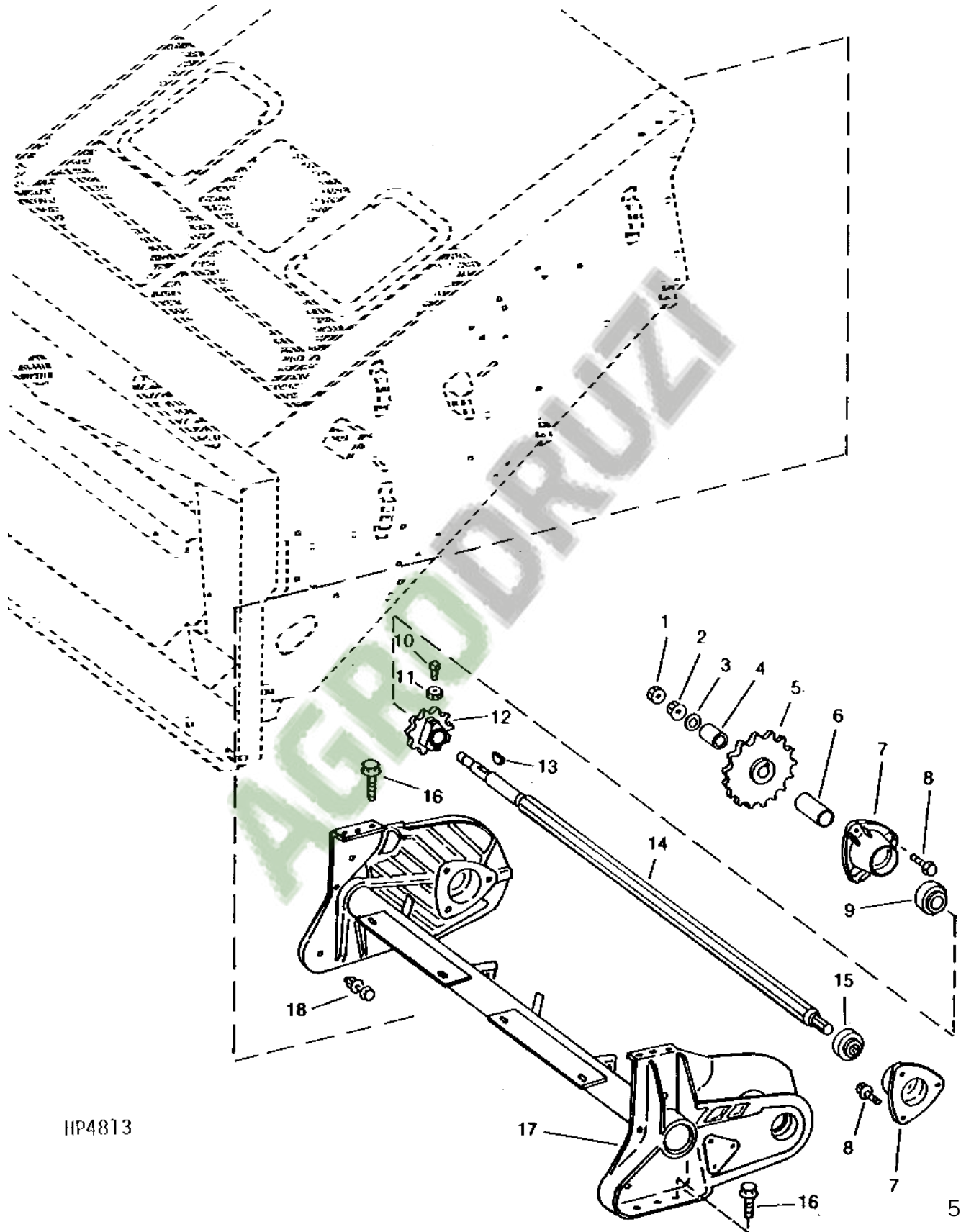
HP8924

8E14

UPPER SHAFT AND PIVOT HOUSING

(SIDEHILL)

HP4813 -UN-01JAN94

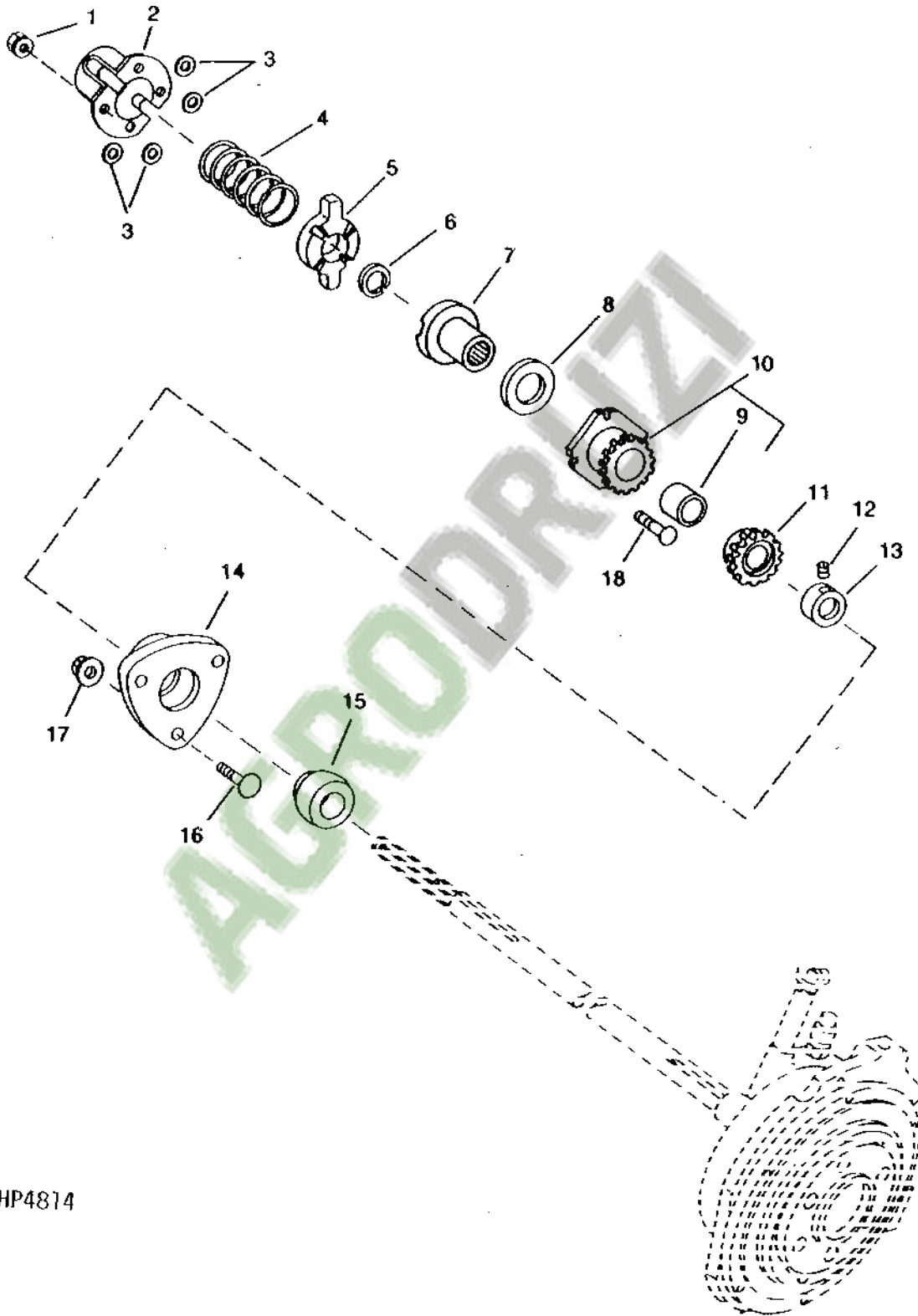


HP4813

525

8E16

FRONT SHAFT SLIP CLUTCH
(SIDEHILL) (R.H. SIDE)
HP4814 -UN-01JAN94

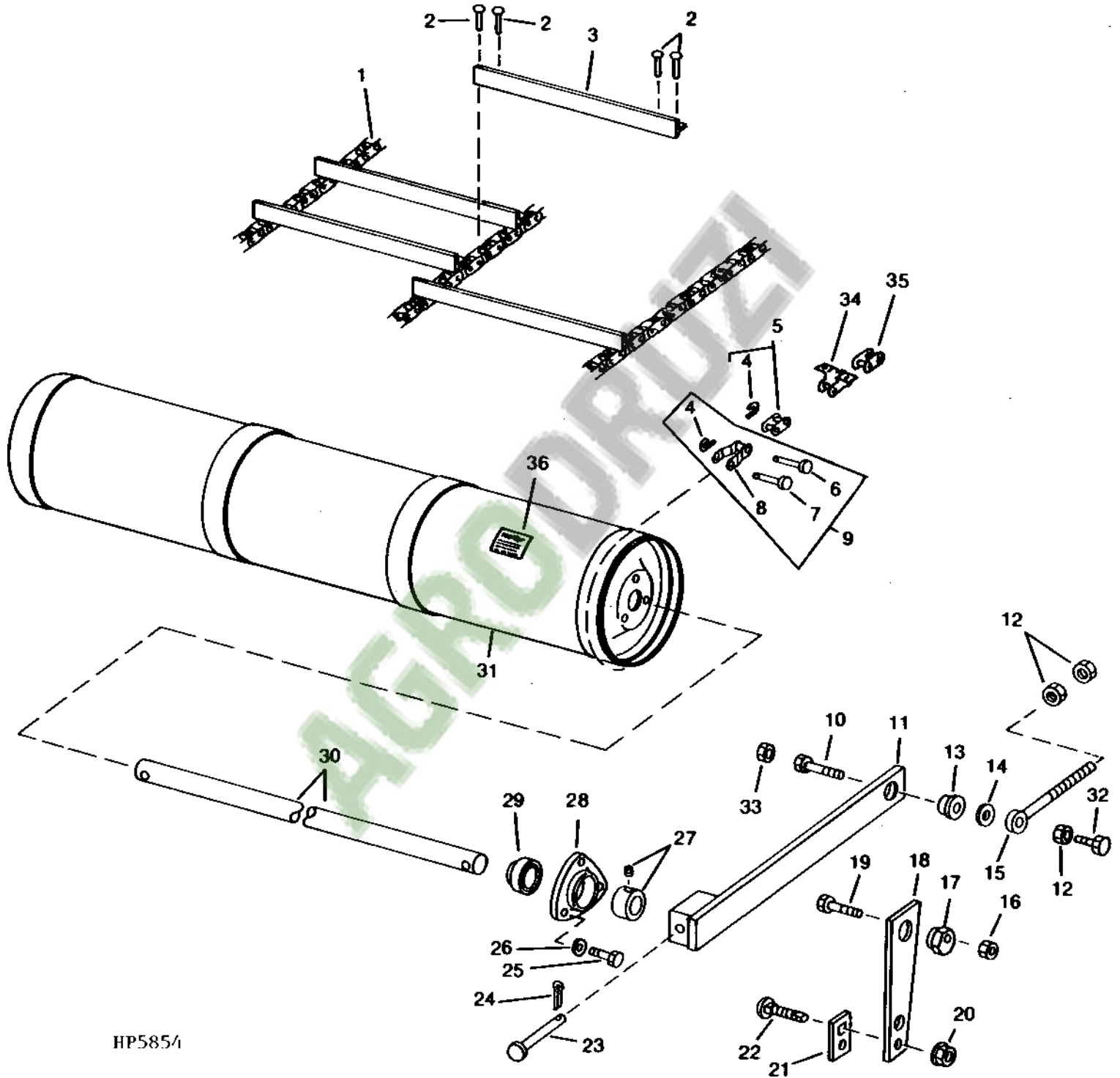


HP4814

8E18

FEEDER CONVEYOR IDLER SHAFT, DRUM AND CHAIN

HP5854 -UN-14OCT94



HP5854

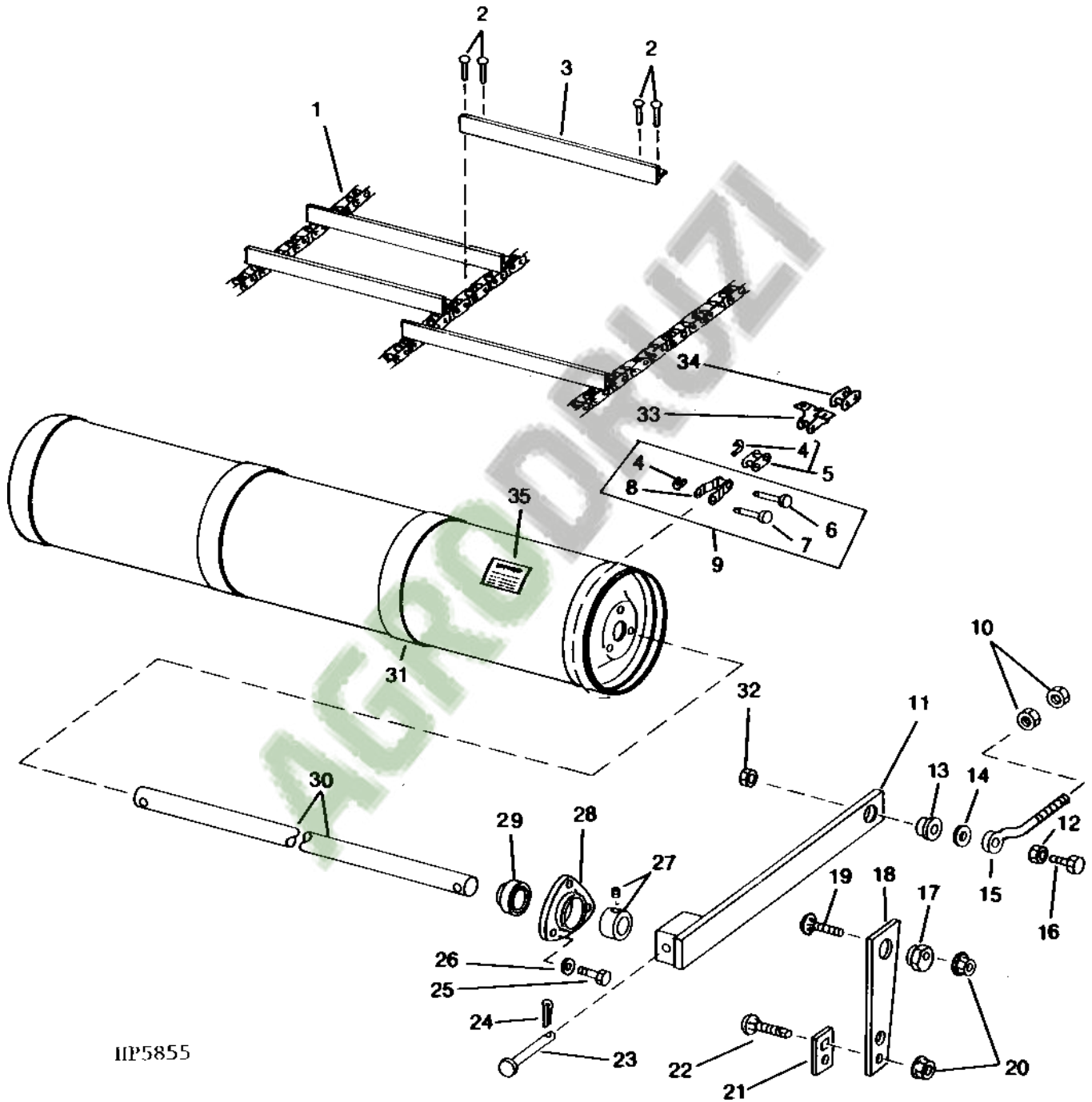
8E20

FEEDER CONVEYOR IDLER SHAFT, DRUM AND CHAIN

(SIDEHILL)

HP5855

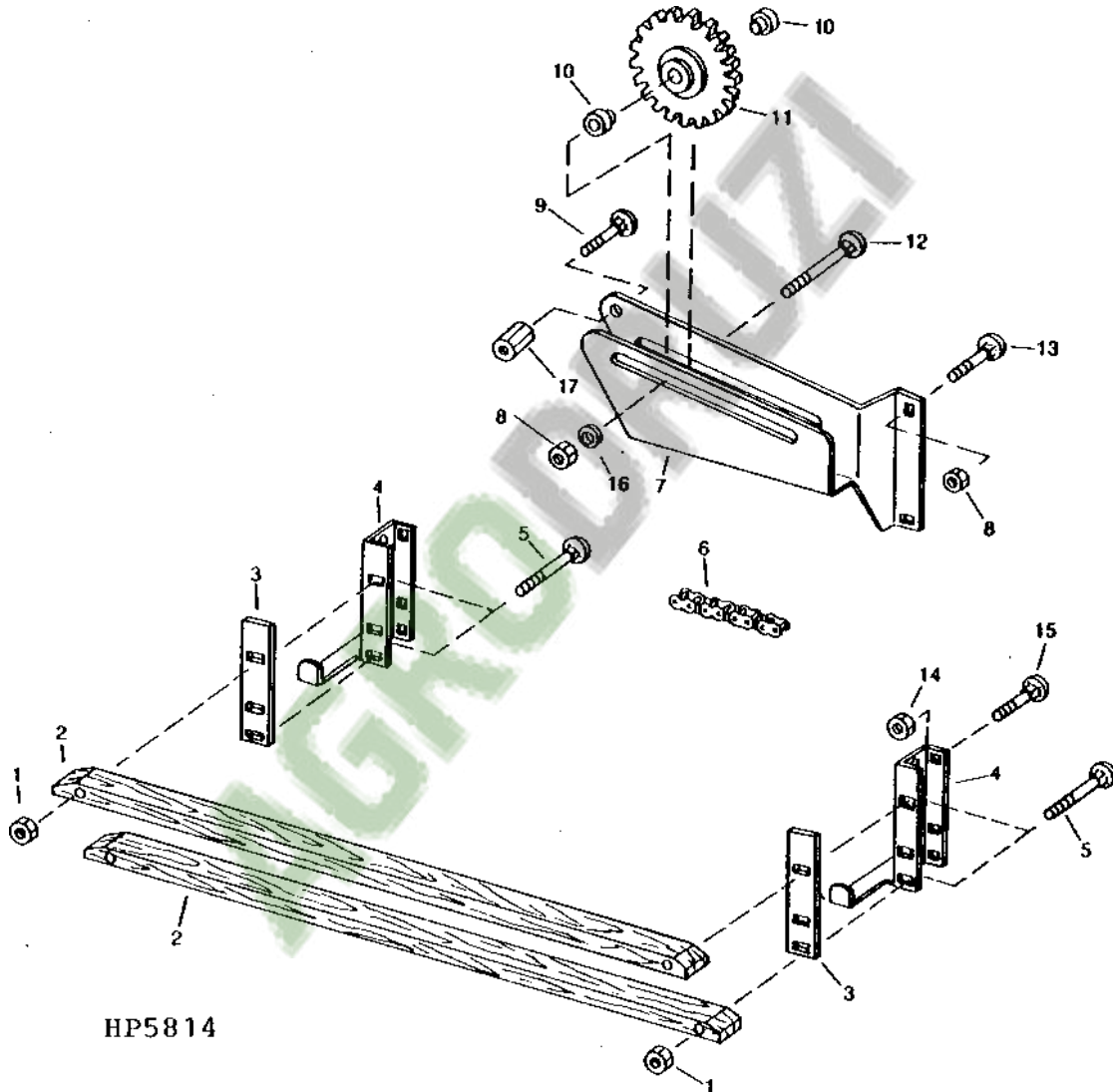
-UN-14OCT94



HP5855

FEEDER CONVEYOR DRIVE CHAIN, TIGHTENER AND GUIDES

HP5814 -UN-01JAN94



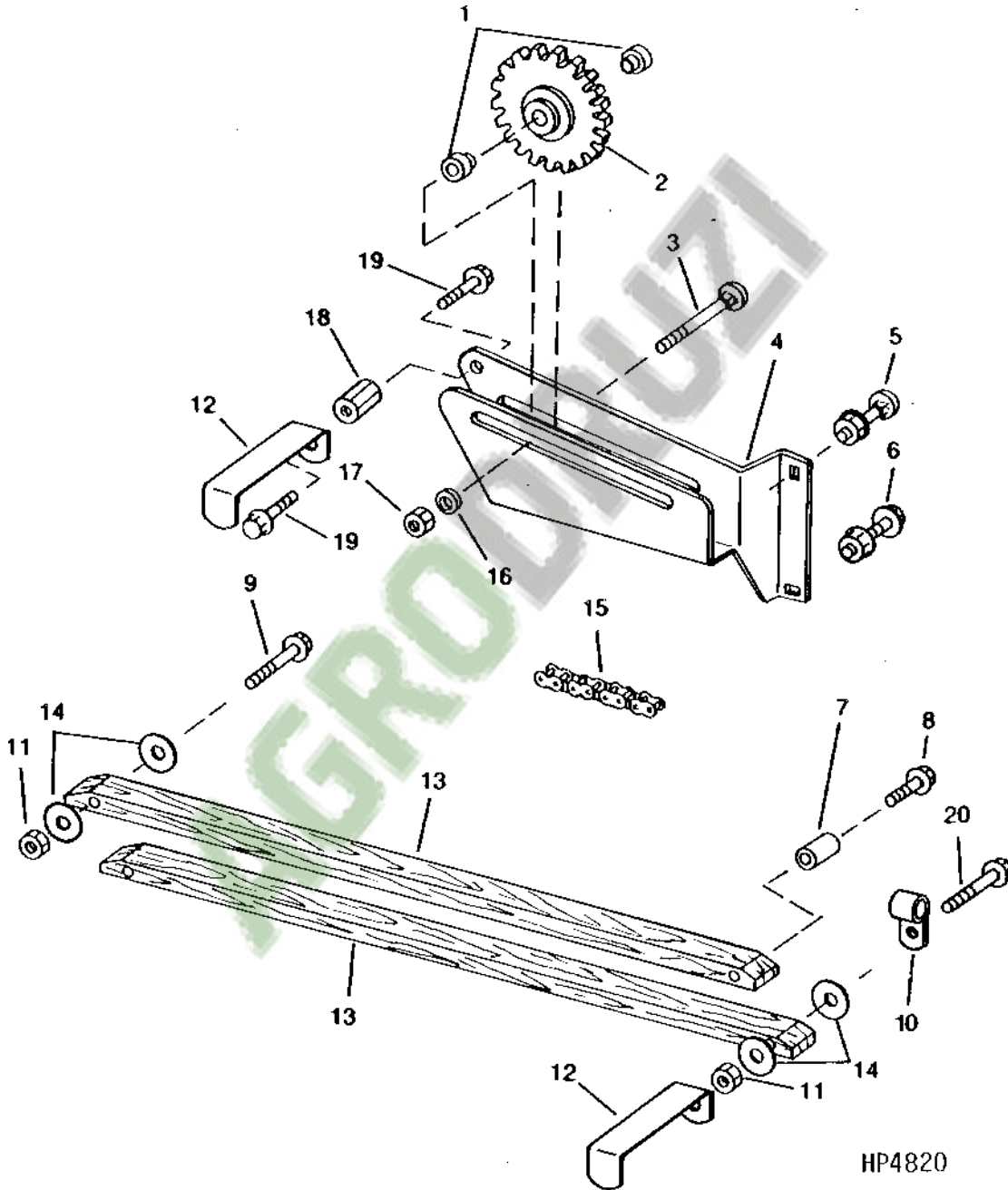
HP5814

8E24

FEEDER CONVEYOR DRIVE CHAIN, TIGHTENER AND GUIDES

(SIDEHILL)

HP4820 -UN-01JAN94



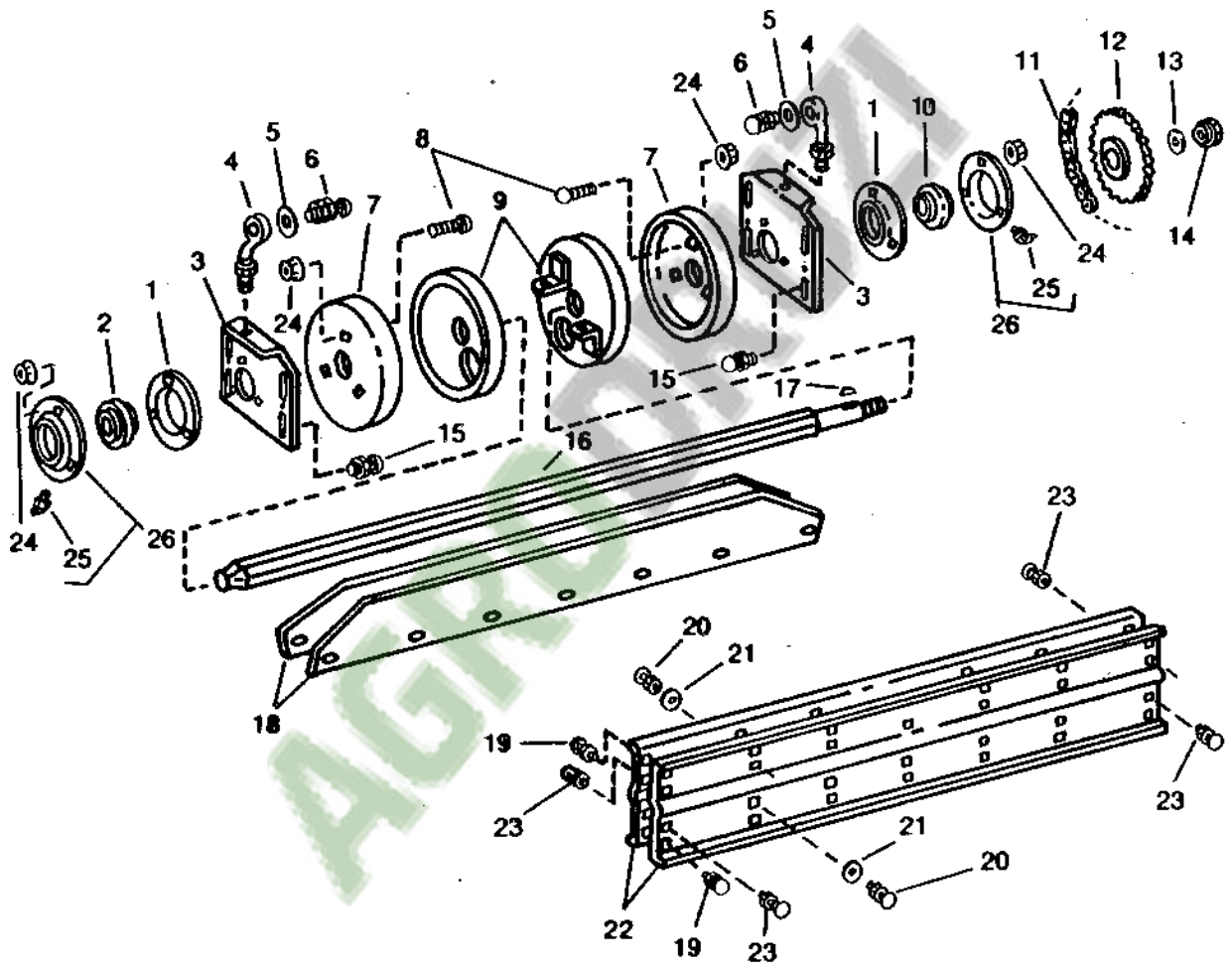
HP4820

8F1

FEEDER HOUSE LOWER SHAFT, PADDLES AND SPROCKET

(SIDEHILL)

HP4868 -UN-01JAN94

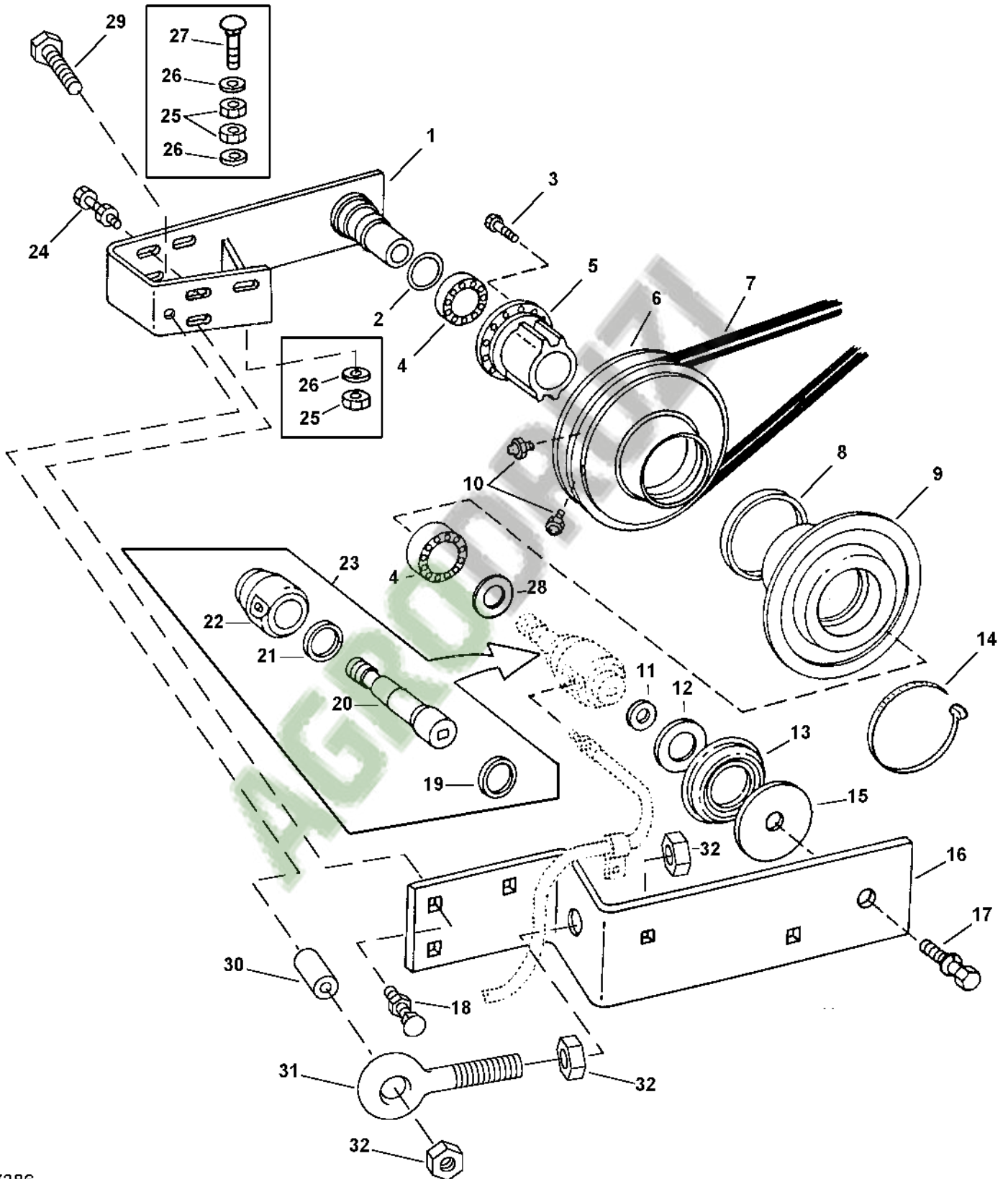


HP4868

8F3

VARIABLE DRIVE UPPER COUNTERSHAFT, SHEAVES AND SUPPORTS

HP7386 -UN-24JAN98



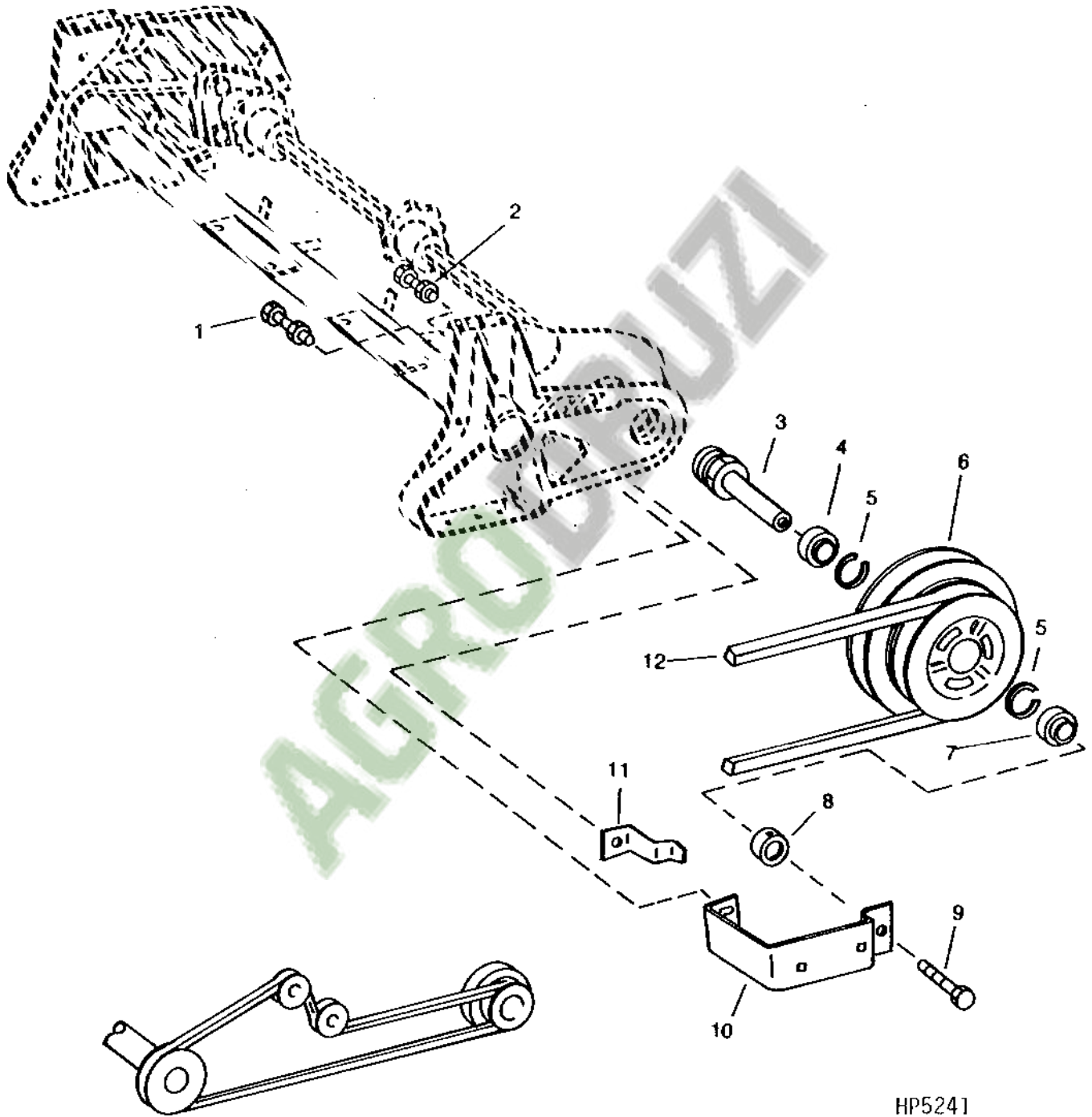
HP7386

532

8F5

UPPER DRIVE SHAFT, SHEAVE AND MOUNTINGS (FIXED SPEED WITH REVERSER)

HP5241 -UN-01JAN94

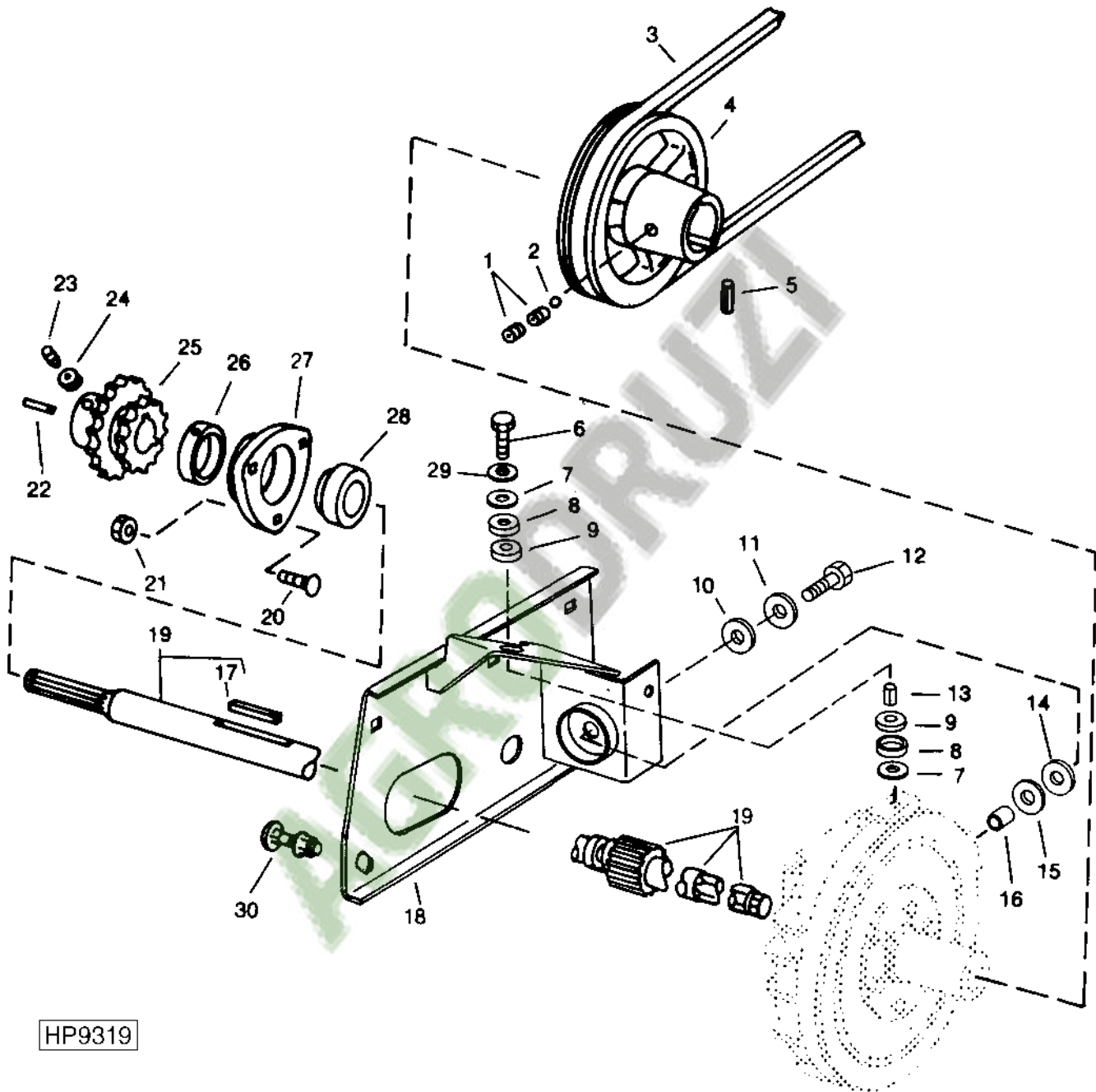


HP5241

8F7

FRONT DRIVE SHAFT, SHEAVE AND MOUNTINGS (FIXED SPEED WITH REVERSER)

HP9319 -UN-18NOV99



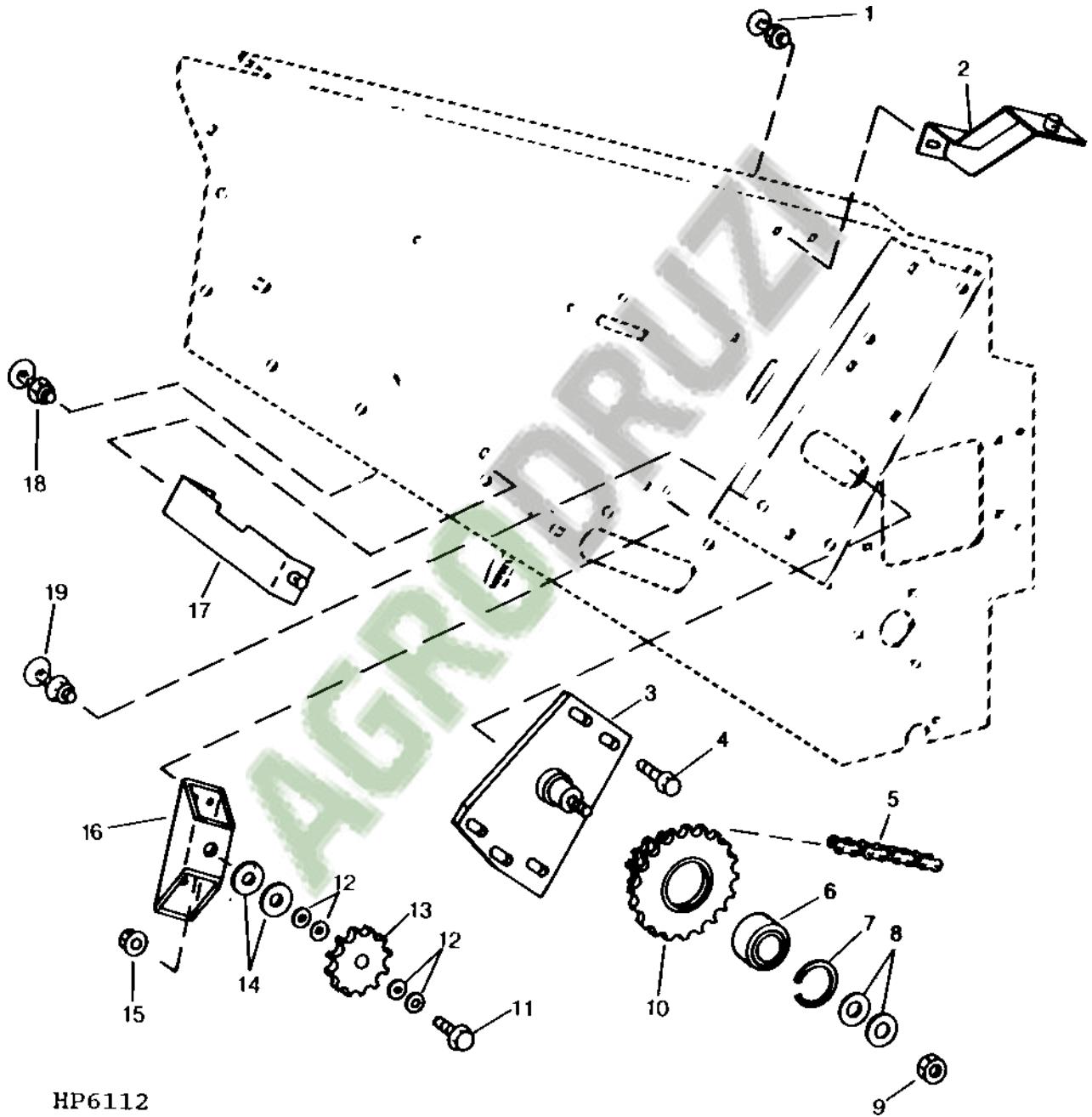
HP9319

8F9

DRIVE CHAIN IDLERS AND SHIELD BRACKETS

(SIDEHILL)

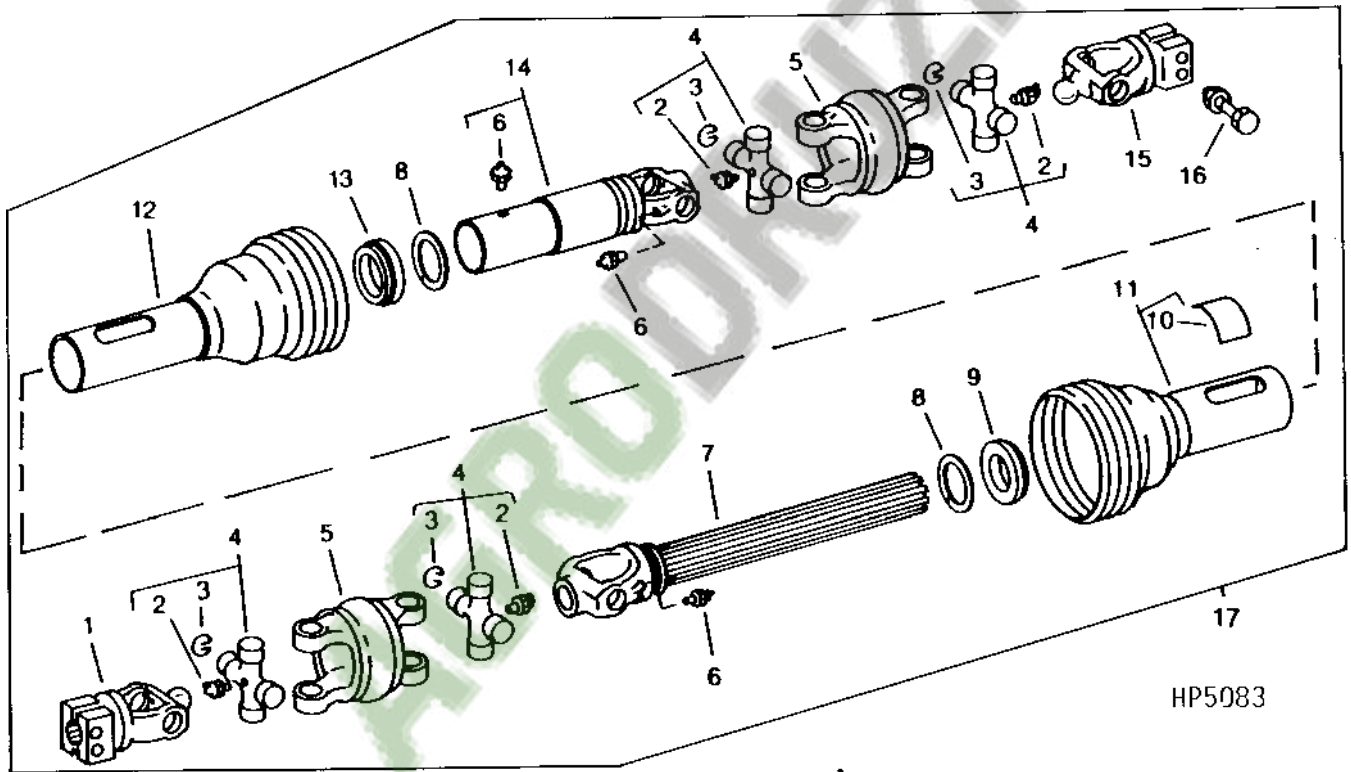
HP6112 -UN-27JUN95



HP6112

8F11

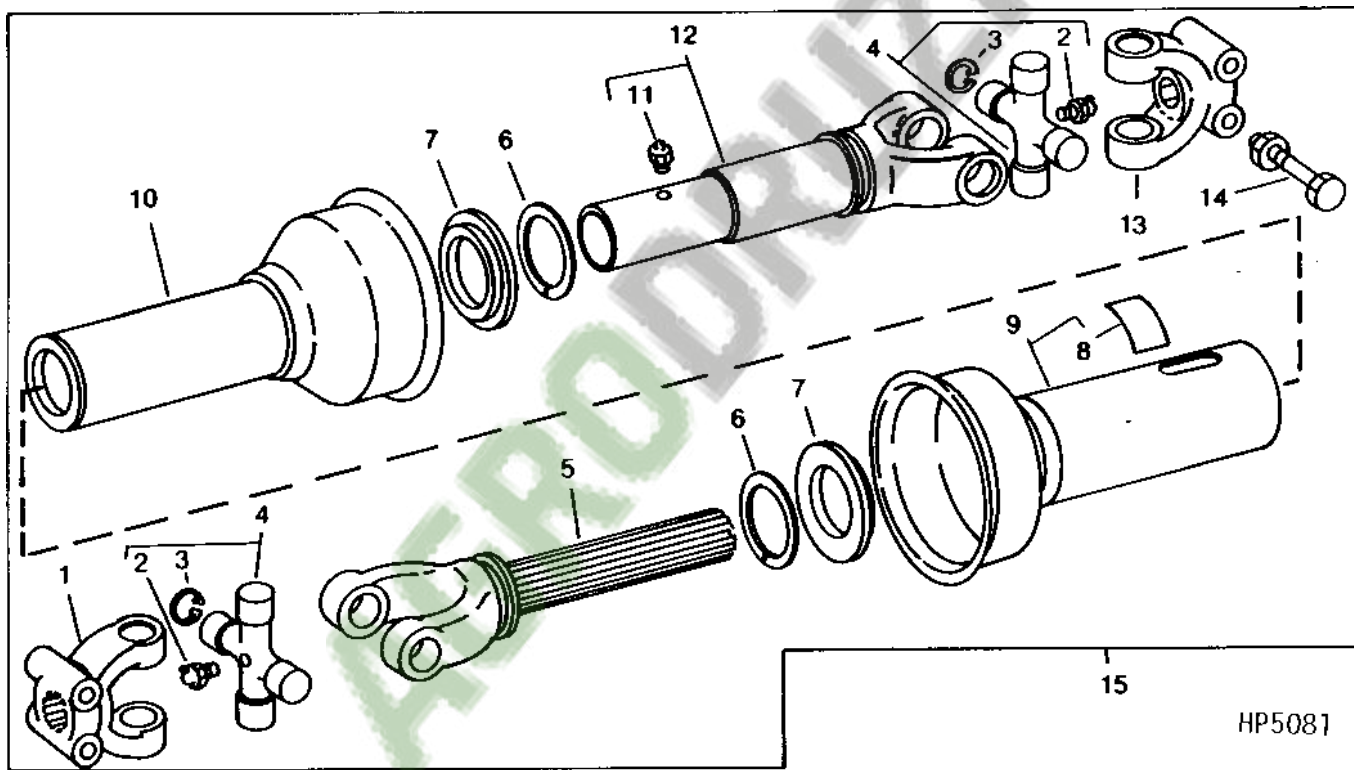
HEADER DRIVE SHAFT - SIDEHILL - (645301-)
(FOR ALL HEADERS EXCEPT 444 CORN HEAD AND 914 BPU)
HP5083 -UN-01JAN94



HP5083

8F13

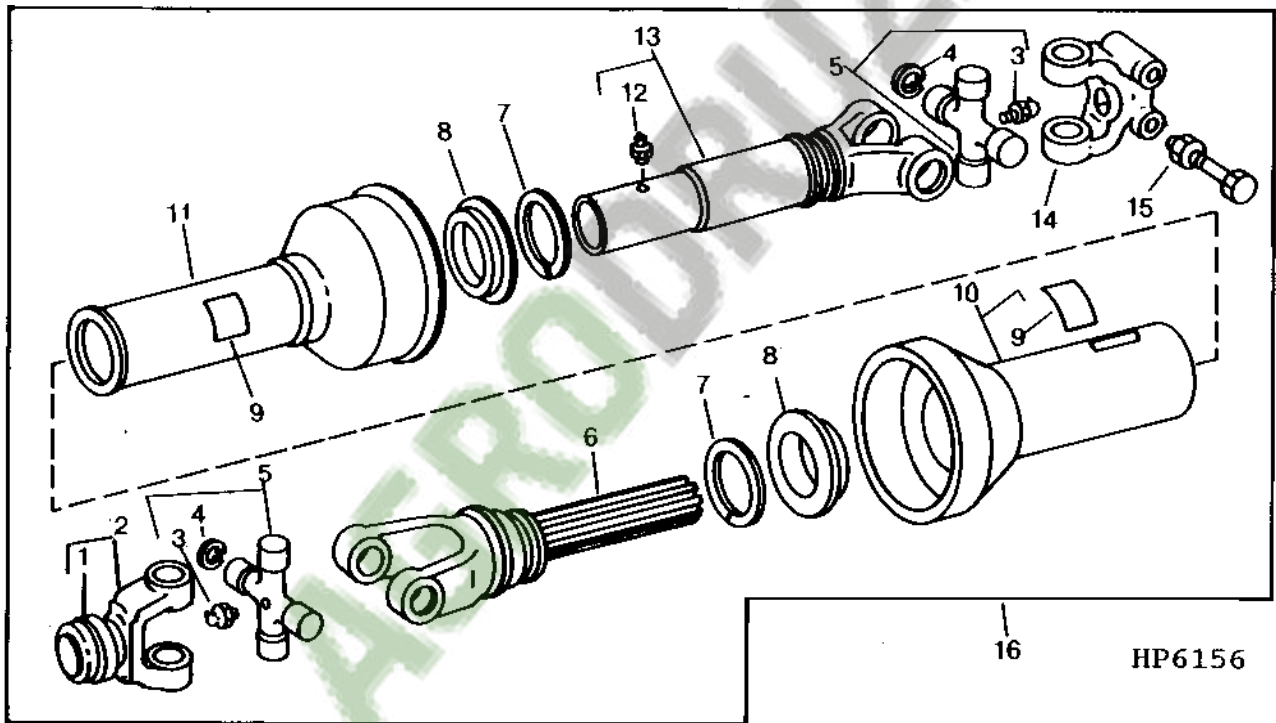
HEADER DRIVE SHAFT - SIDEHILL - (645301-)
(FOR 444, 494 CORN HEAD AND 914 BPU)
HP5081 -UN-01JAN94



HP5081

8F15

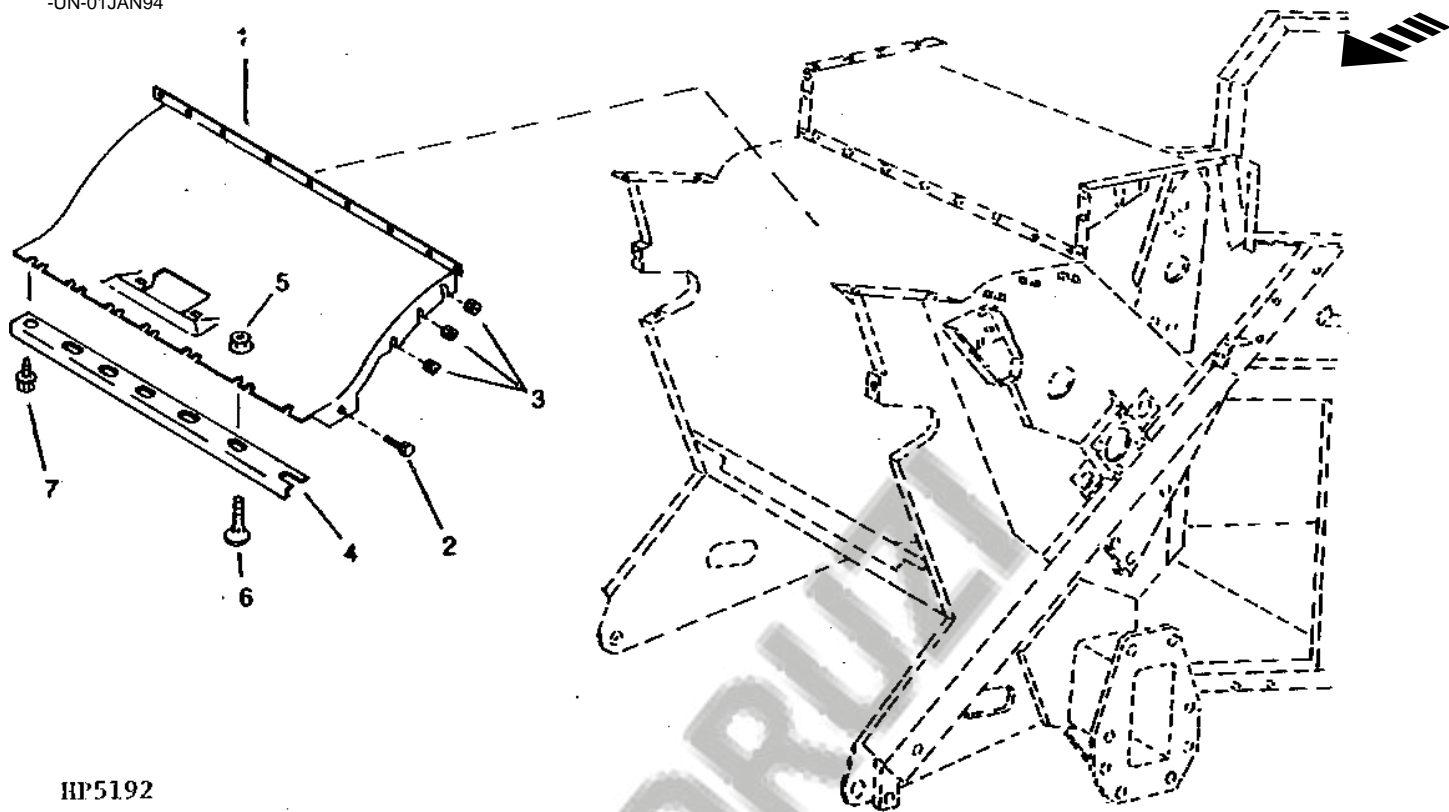
CONTOUR MASTER DRIVESHAFT
(FOR ALL HEADERS EXCEPT 444 CORNHEAD, 914 BPU)
(660201-)
HP6156 -UN-01SEP95



8F20

THRESHING CYLINDER COVER

HP5192 -UN-01JAN94



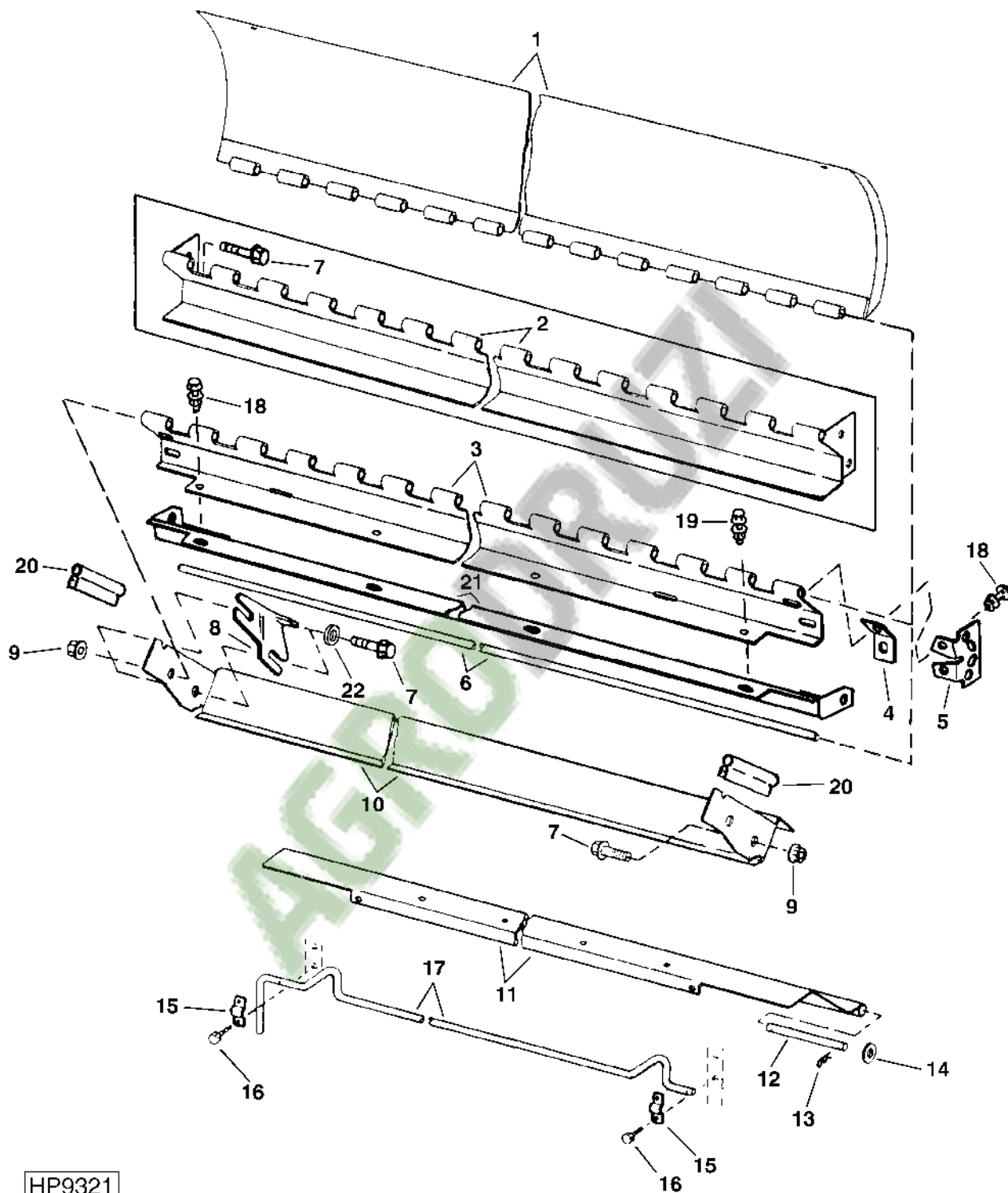
HP5192

KEY	PART NO.	PART NAME	QTY	SERIAL NO.	REMARKS
				S H 9 5 0 0	

8F21

SEPARATOR / FEEDER HOUSE SEAL, STONE TRAP AND DOOR

HP9321 -UN-19NOV99



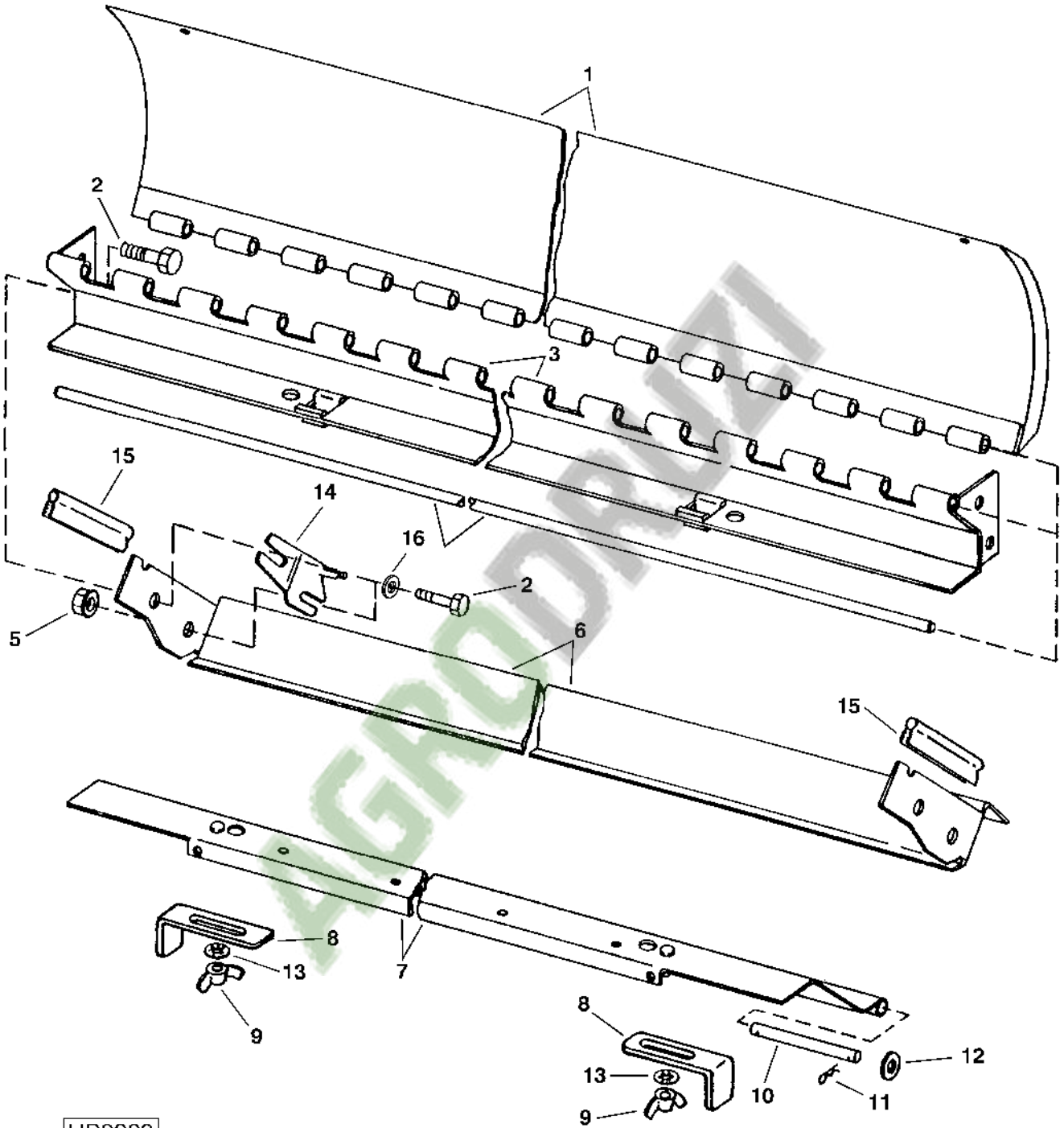
HP9321

8F23

SEPARATOR / FEEDER HOUSE SEAL, STONE TRAP AND DOOR

(SIDEHILL)

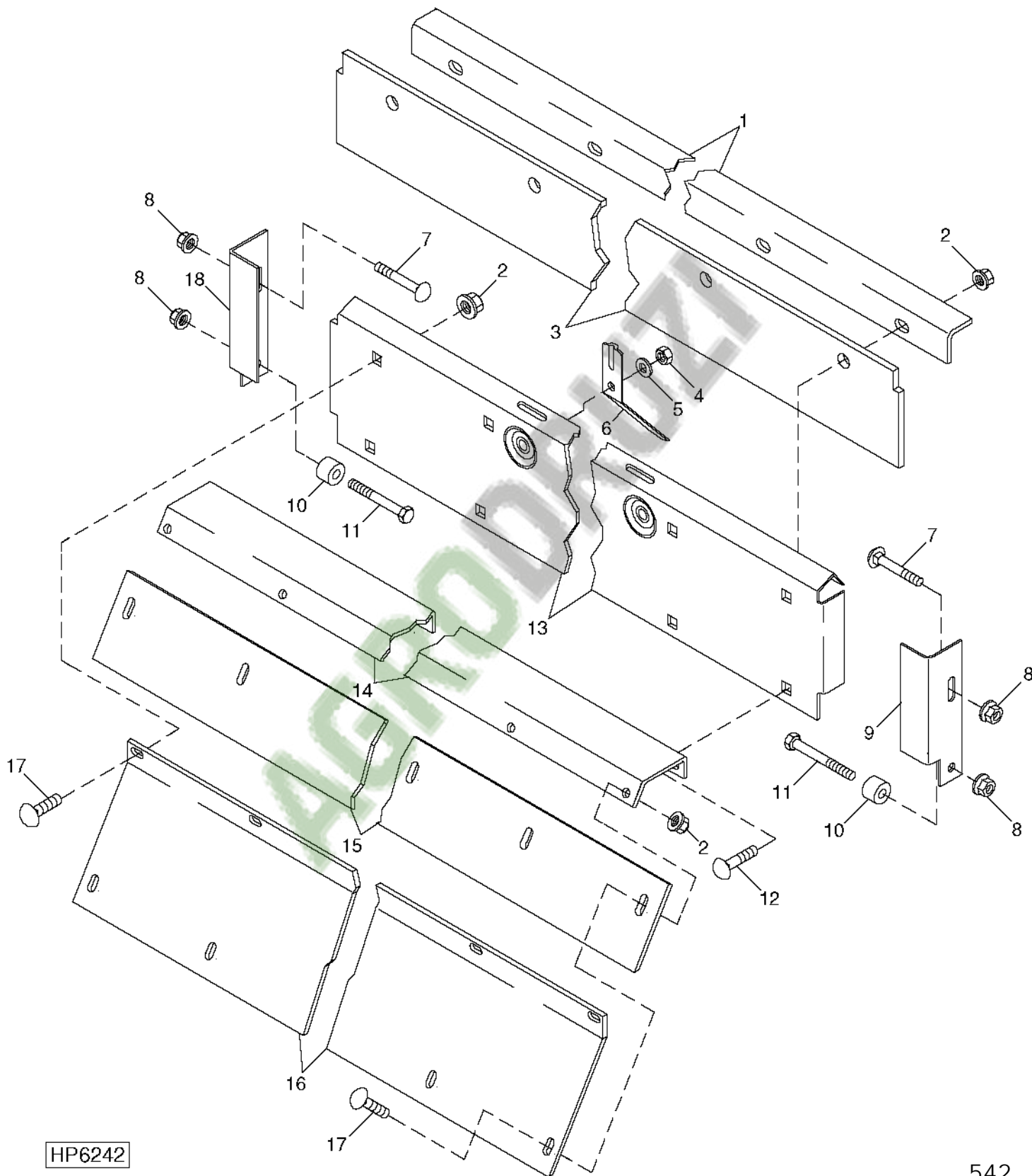
HP9322 -UN-19NOV99



HP9322

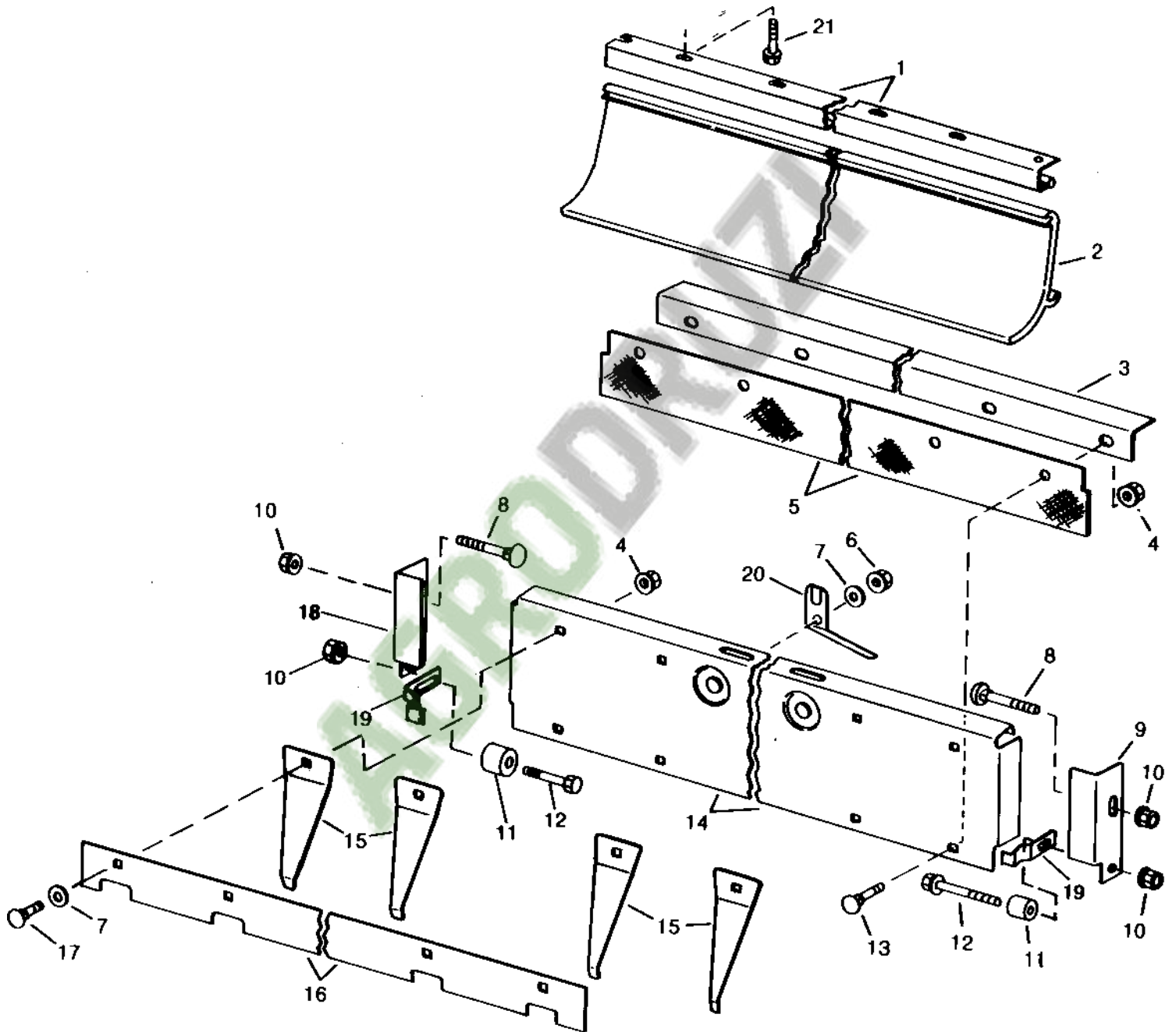
8G1

CYLINDER DOOR
(FOR CORN) (-650200)
HP6242 -UN-24AUG99



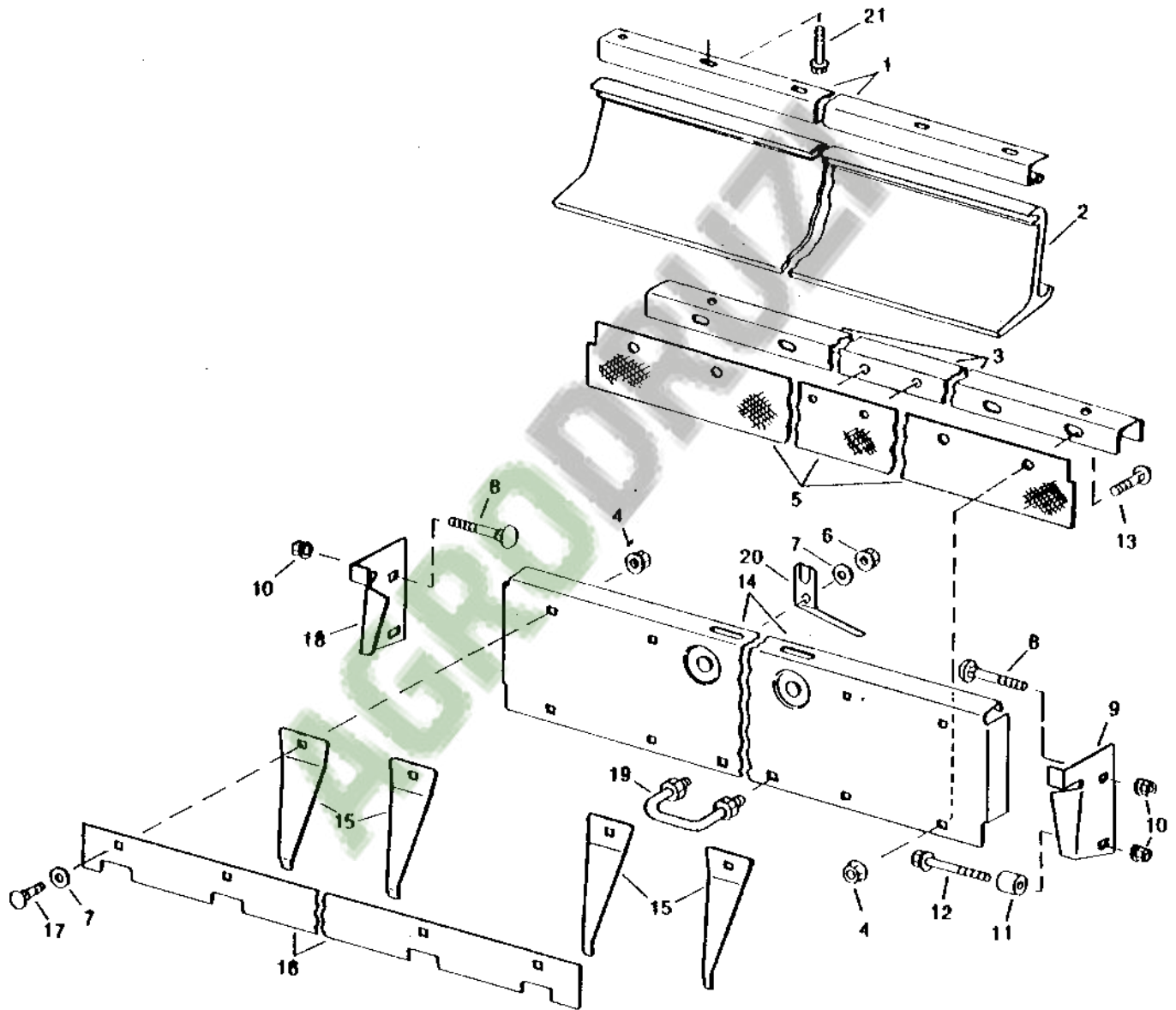
HP6242

CYLINDER DOOR
(CORN AND GRAIN) (650201-655864)
HP5812 -UN-04JAN96



HP5812

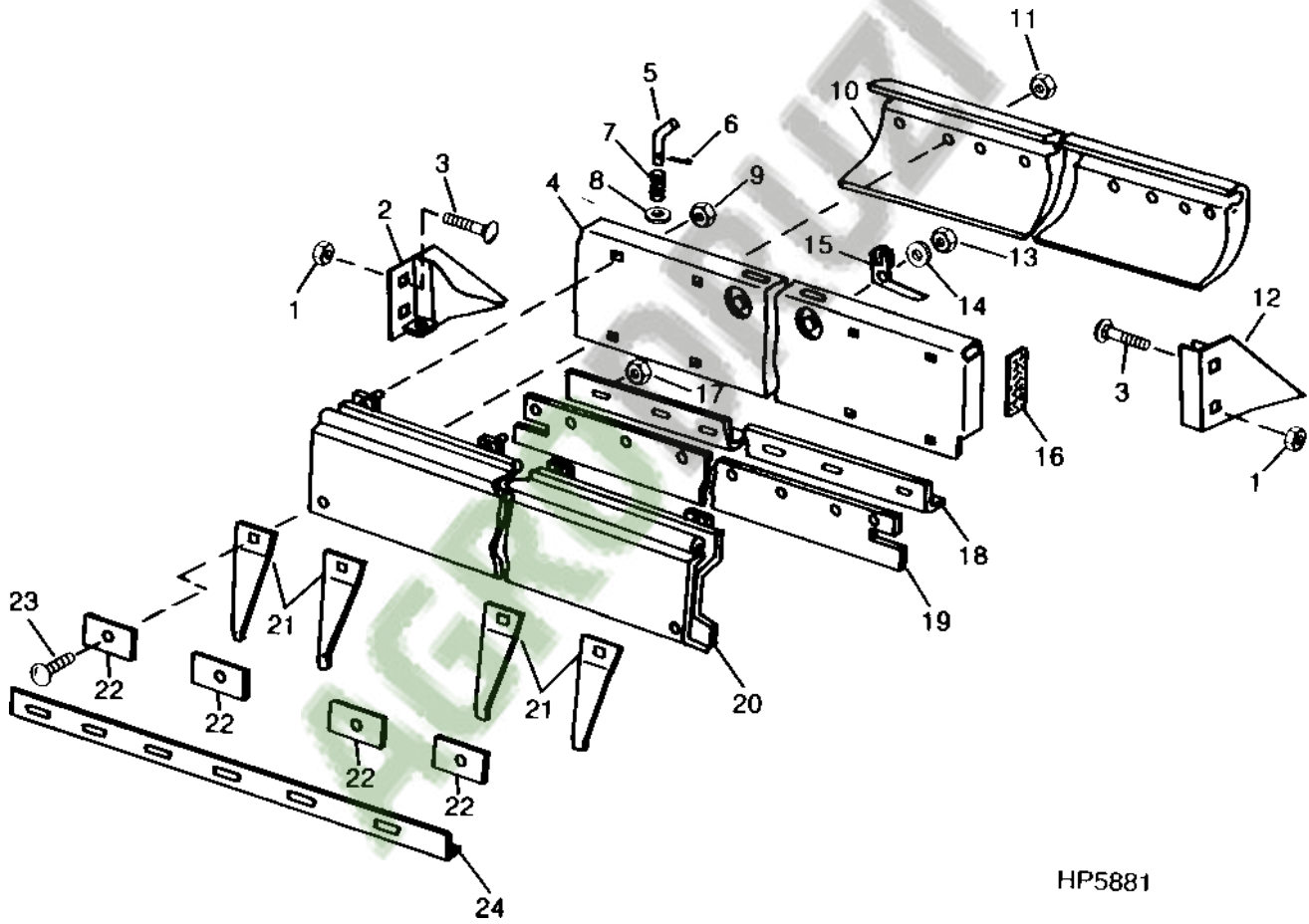
CYLINDER DOOR
(655865-)
HP5678 -UN-01JAN94



HP5678

8G7

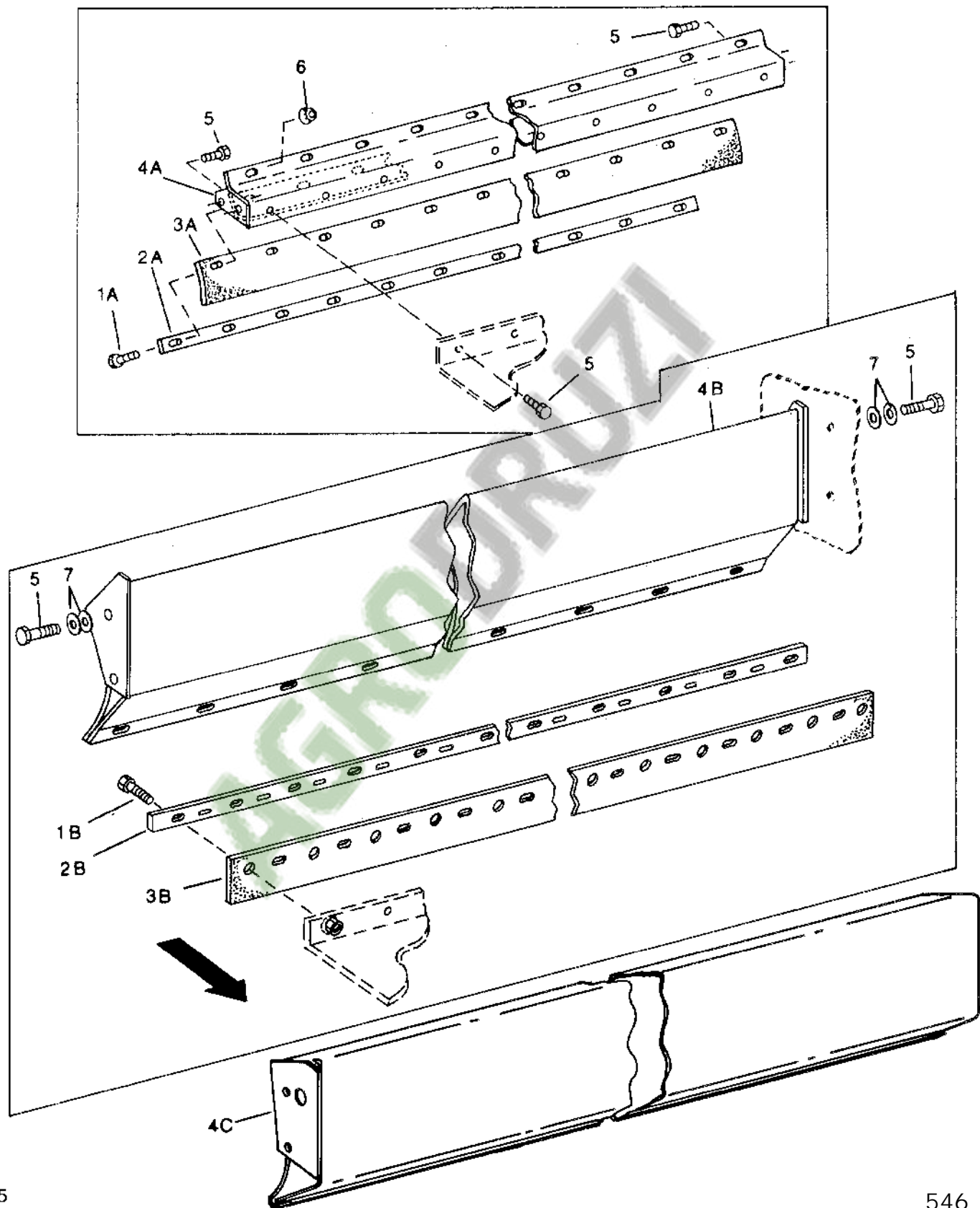
CORN CYLINDER DOOR
(ARGENTINA ONLY)
HP5881 -UN-20JUL95



HP5881

8G9

CYLINDER SHEAR BAR
HP6565 -UN-15NOV96



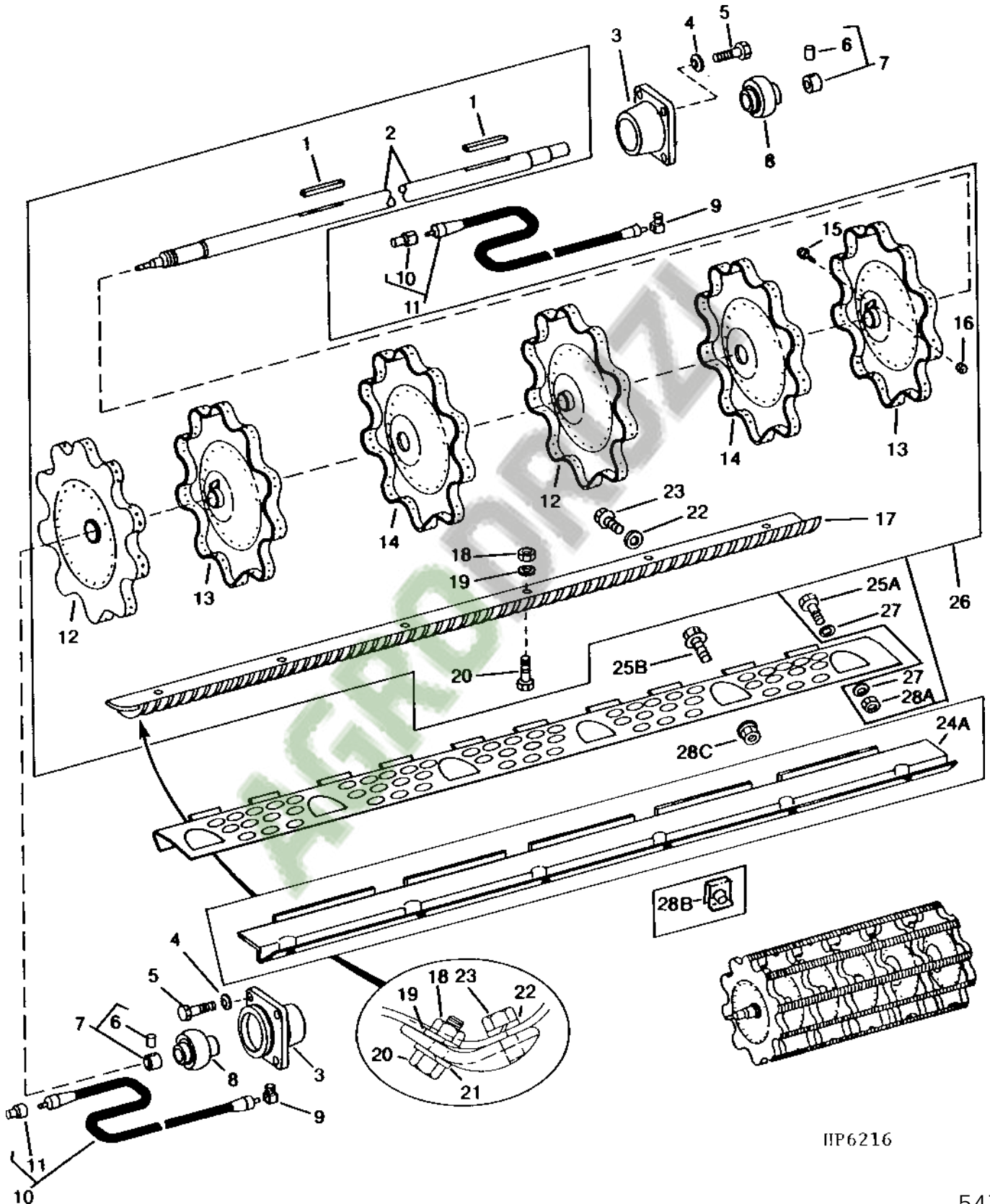
HP6565

546

8G11

THRESHING AND SEPARATION

RASP BAR THRESHING CYLINDER
HP6216 -UN-04JAN96



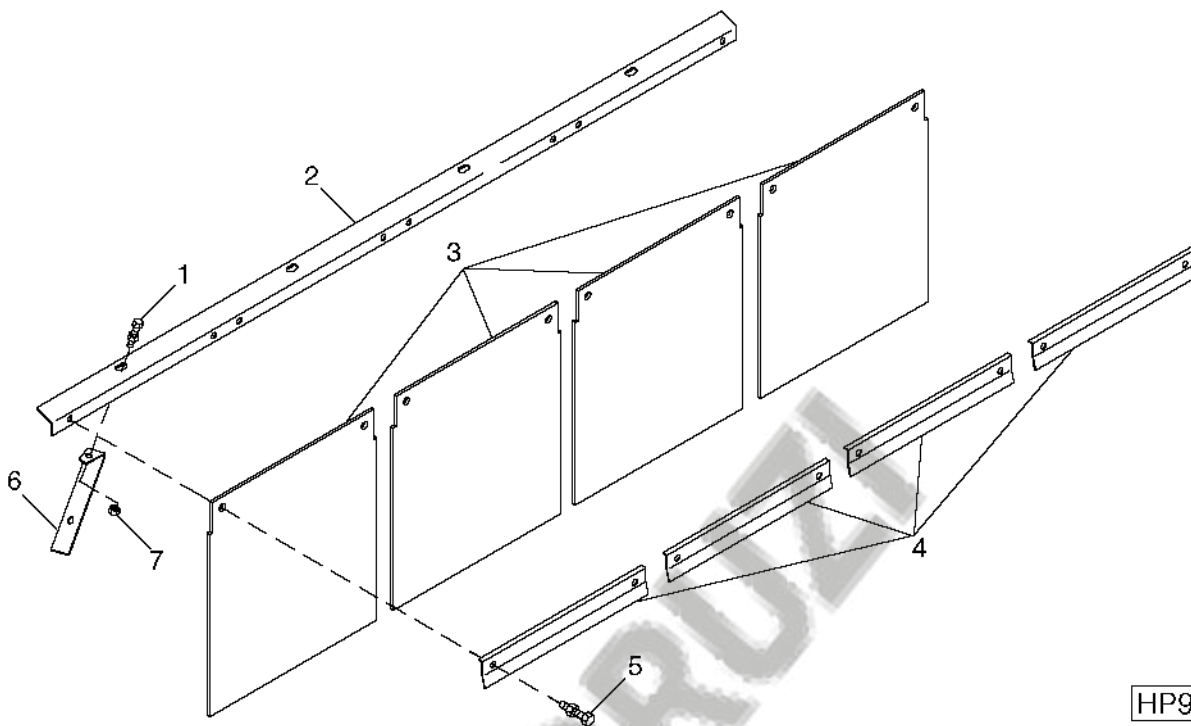
HP6216

547

8G13

THRESHING AND SEPARATION

BEATER GRATE CURTAIN
HP9323 -UN-18NOV99



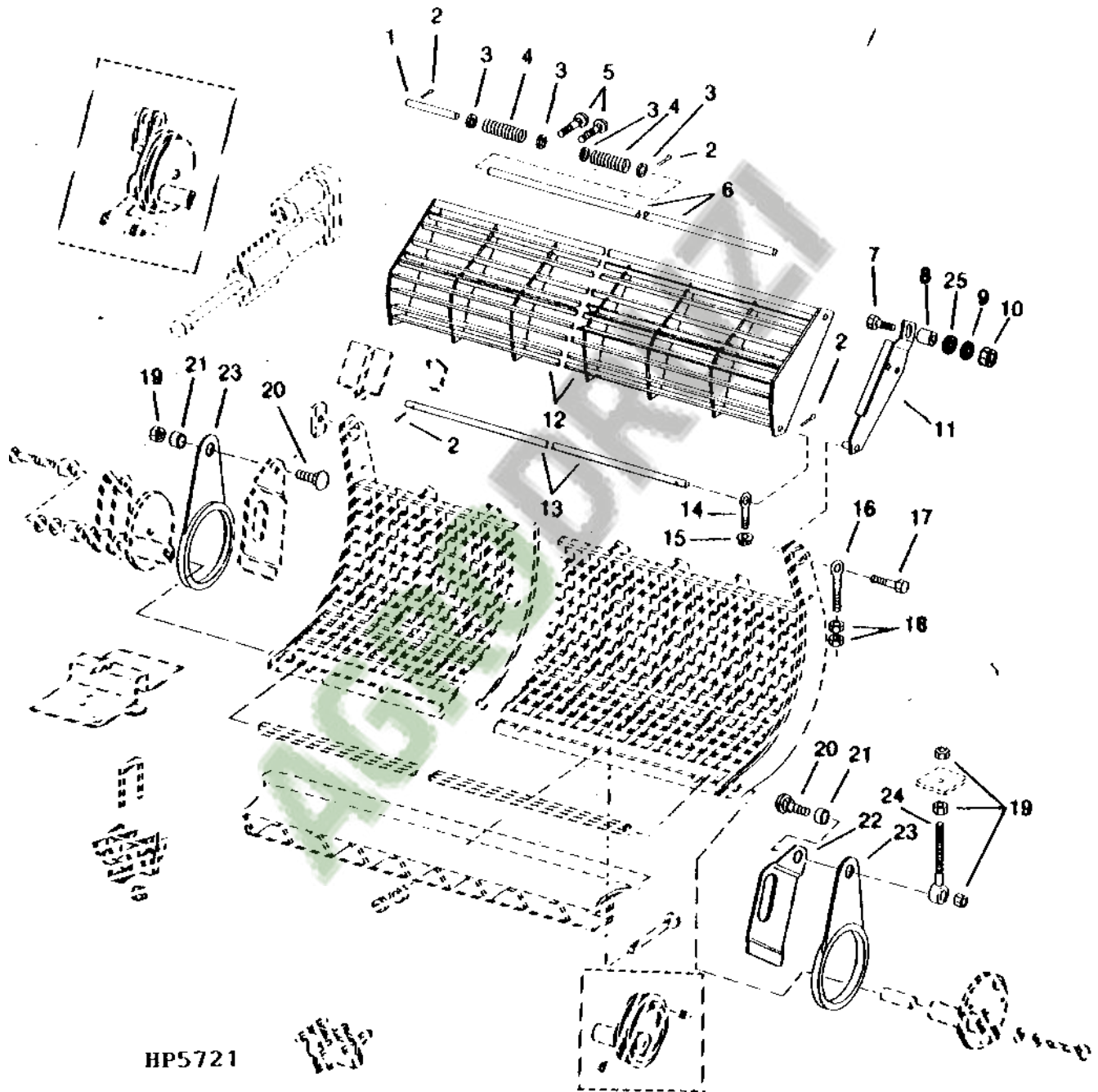
HP9323

KEY	PART NO.	PART NAME	QTY	SERIAL NO.	S	H	REMARKS
1	19M7866	SCREW	8		X	X	M8 X 20
	14M7298	FLANGE NUT	8		X	X	M8
2	H148301	ANGLE	1		X	X	
3	H148305	LIMIT CURTAIN	4		X	X	
4	H148302	ANGLE	4		X	X	M8
5	19M7866	SCREW	8		X	X	M8 X 20
	14M7298	FLANGE NUT	8	-660200	X	X	M8
	14M7396	LOCK NUT	10	660201-666293	X	X	M8
6	H148304	SUPPORT	4	666294-	X	X	(SUB FOR AH144081)
7	H156360	NUT	4	666294-	X	X	
..	H151318	SIGN	1	660201-	X	X	BEATER GRATE CURTAIN

8G14

THRESHING AND SEPARATION

RASP BAR CONCAVE AND GRATE
HP5721 -UN-01JAN94

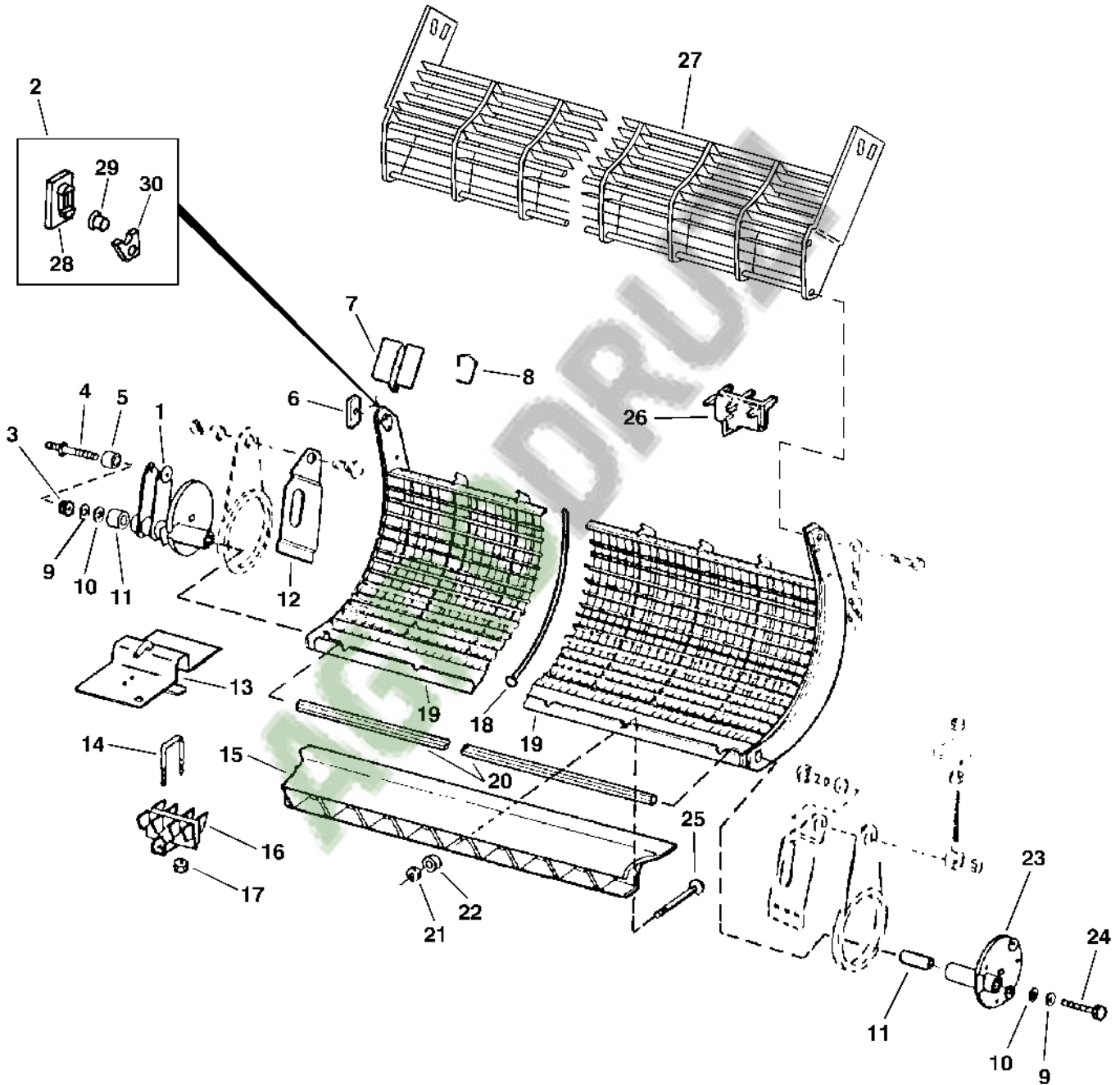


HP5721

8G16

THRESHING AND SEPARATION

RASP BAR CONCAVE AND GRATE
HP9325 -UN-18NOV99



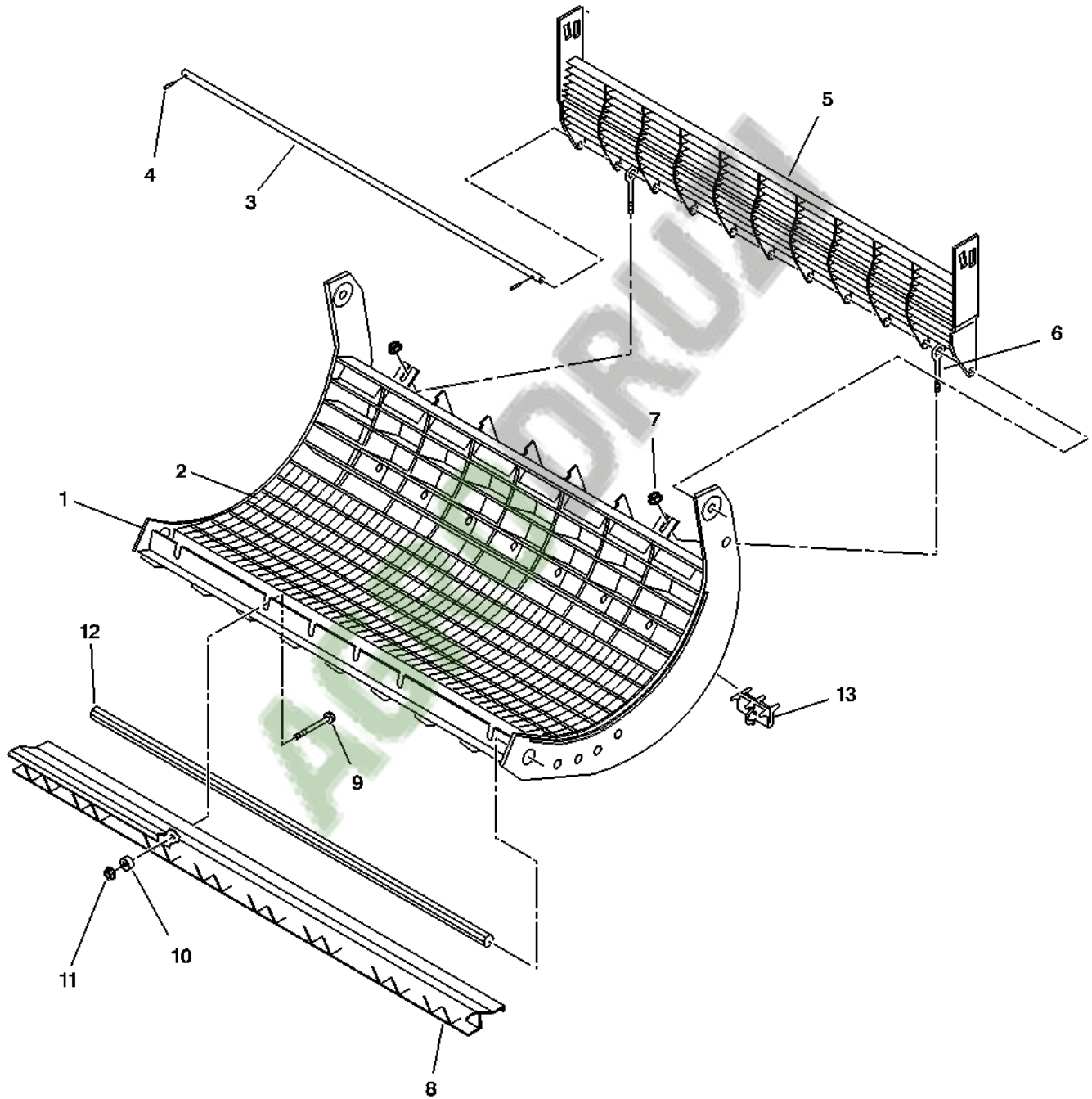
HP9325

550

8G18

CONCAVE ASSEMBLY AND BEATER GRATE (13-BAR NARROW)

HP7388 -UN-02FEB98



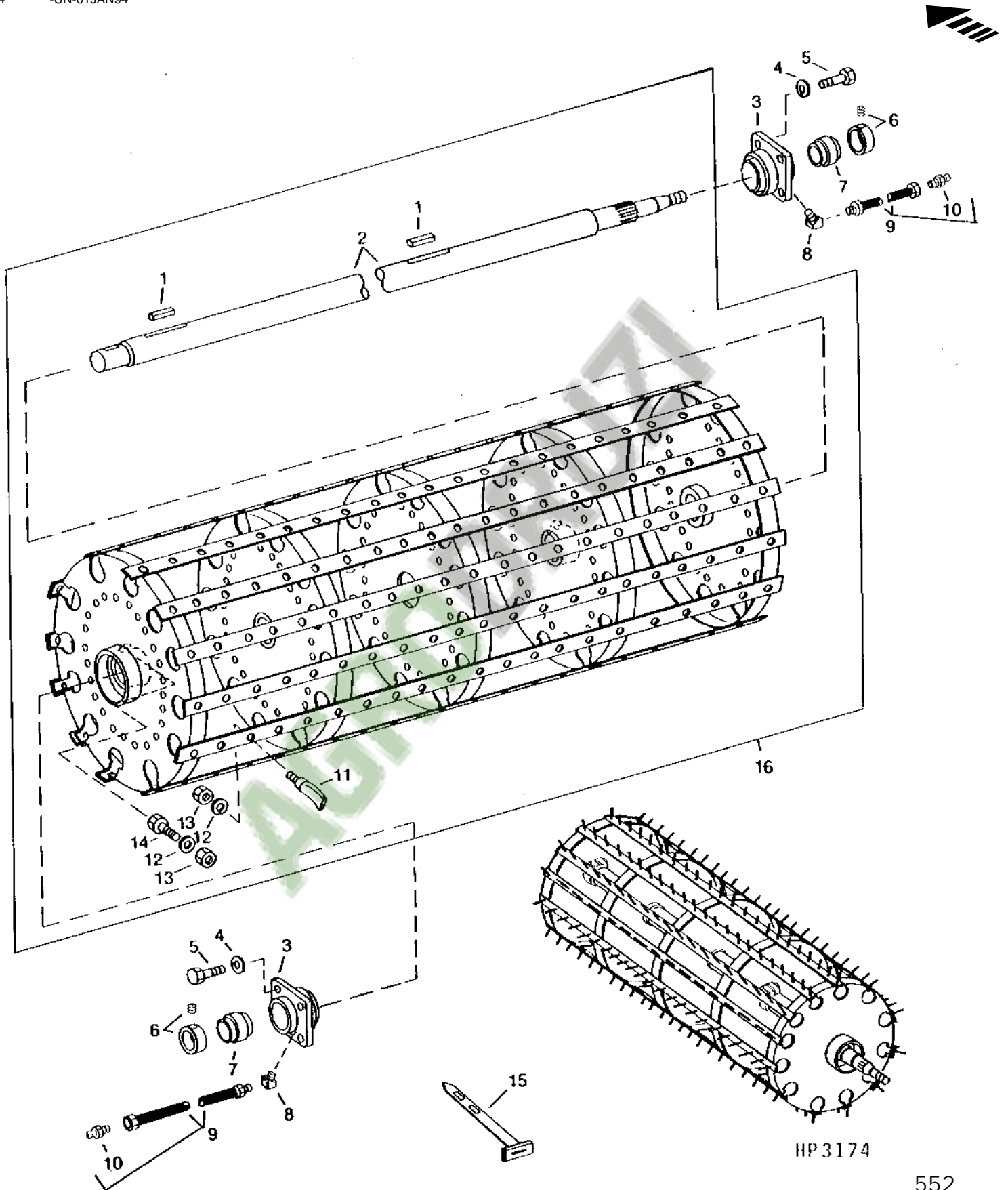
HP7388

551

8G20

THRESHING AND SEPARATION

SPIKE TOOTH THRESHING CYLINDER
HP3174 -UN-01JAN94



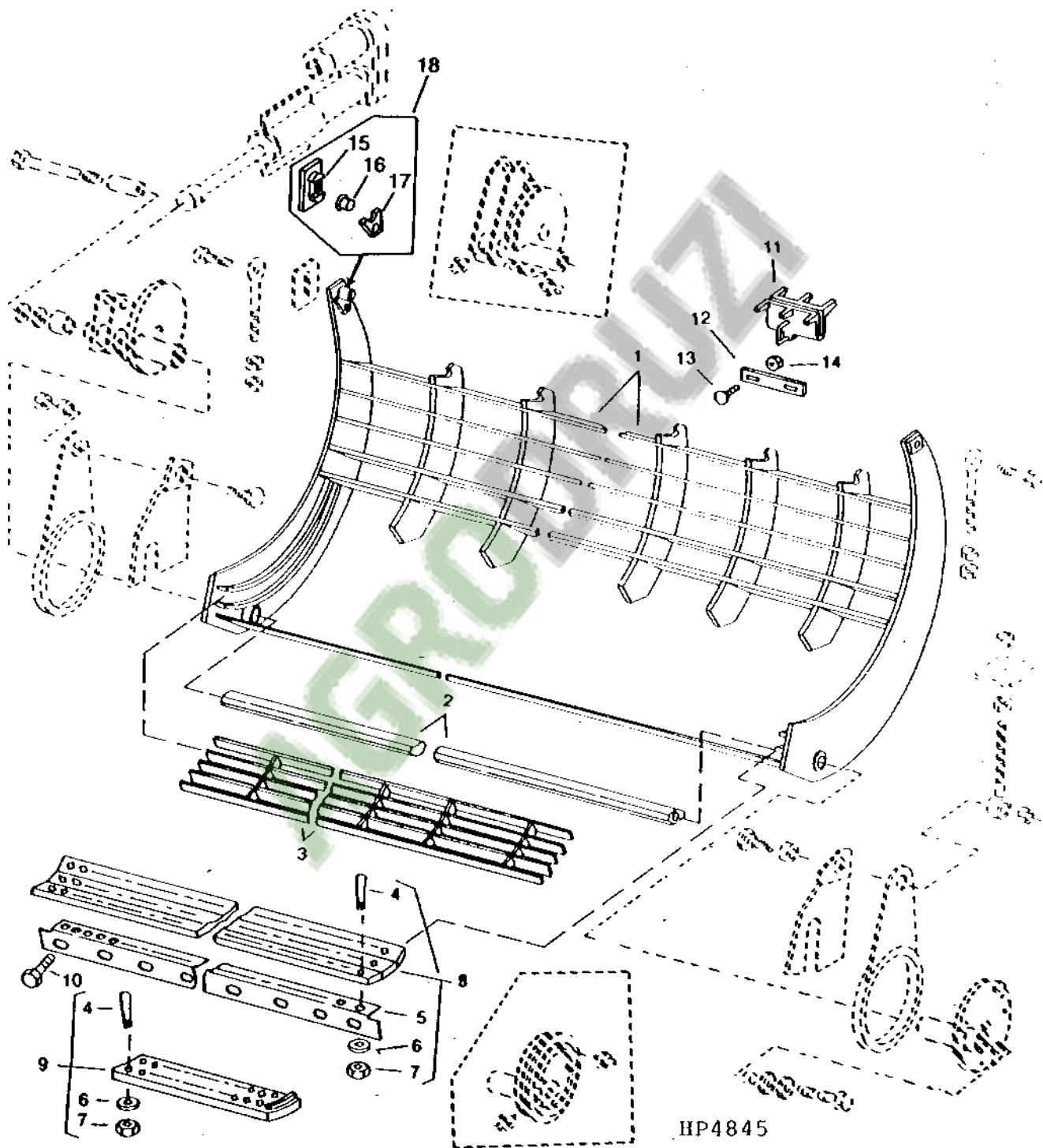
HP 3174

552

8G22

THRESHING AND SEPARATION

SPIKE-TOOTH CONCAVE
HP4845 -UN-01JAN94

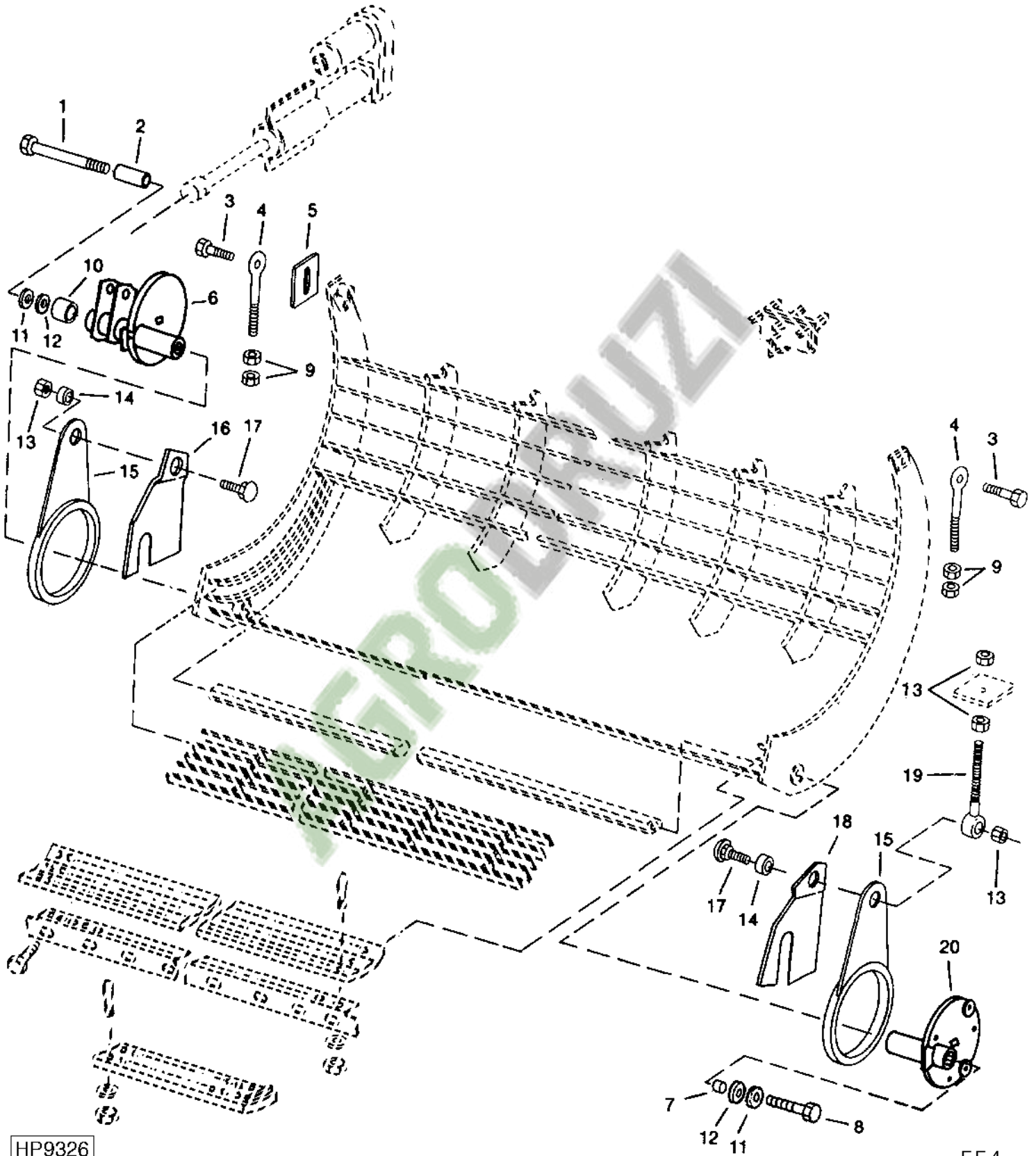


HP4845

8G24

THRESHING AND SEPARATION

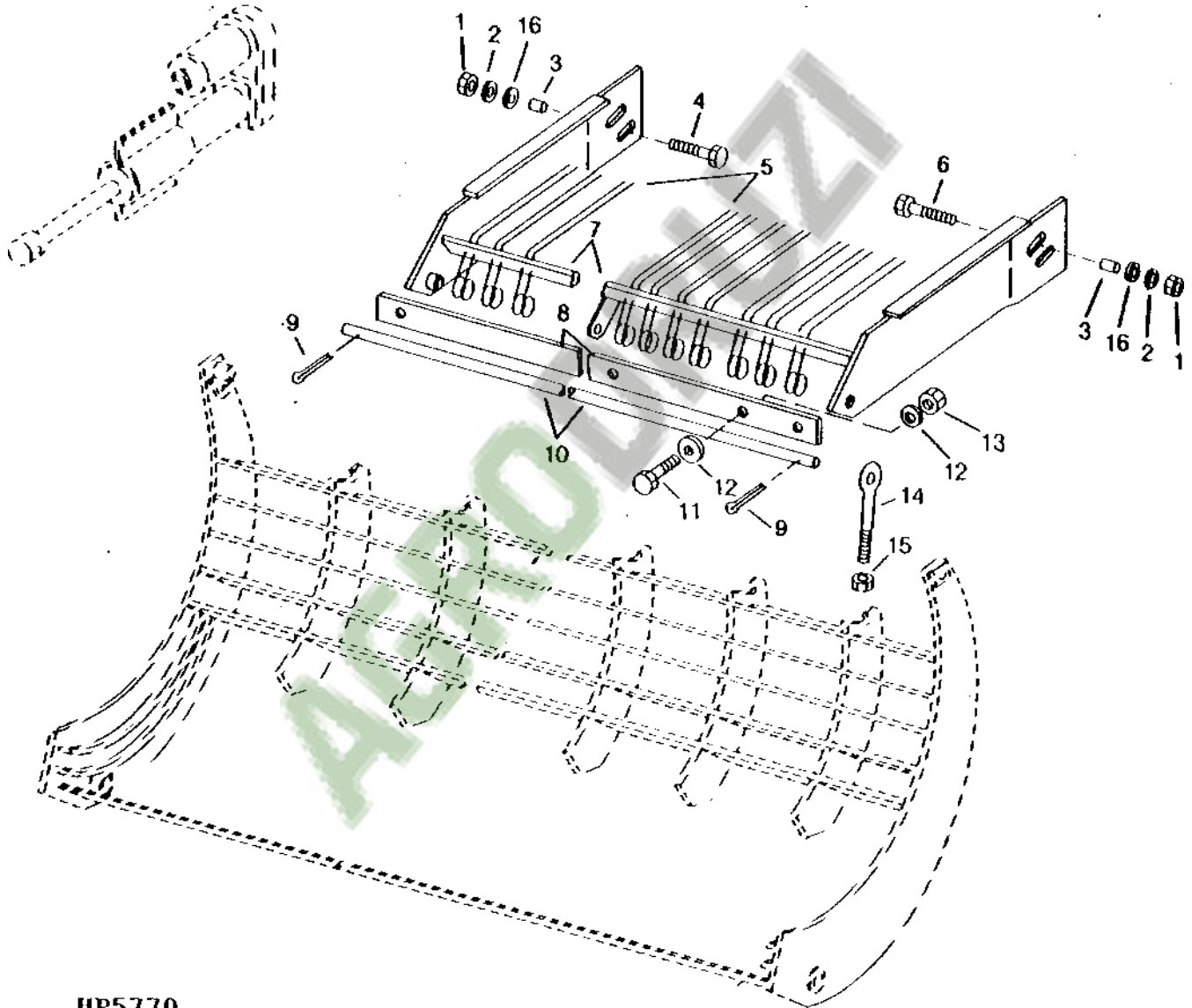
SPIKE TOOTH CONCAVE
HP9326 -UN-18NOV99



HP9326

554

SPIKE-TOOTH FINGER GRATE
HP5770 -UN-01JAN94

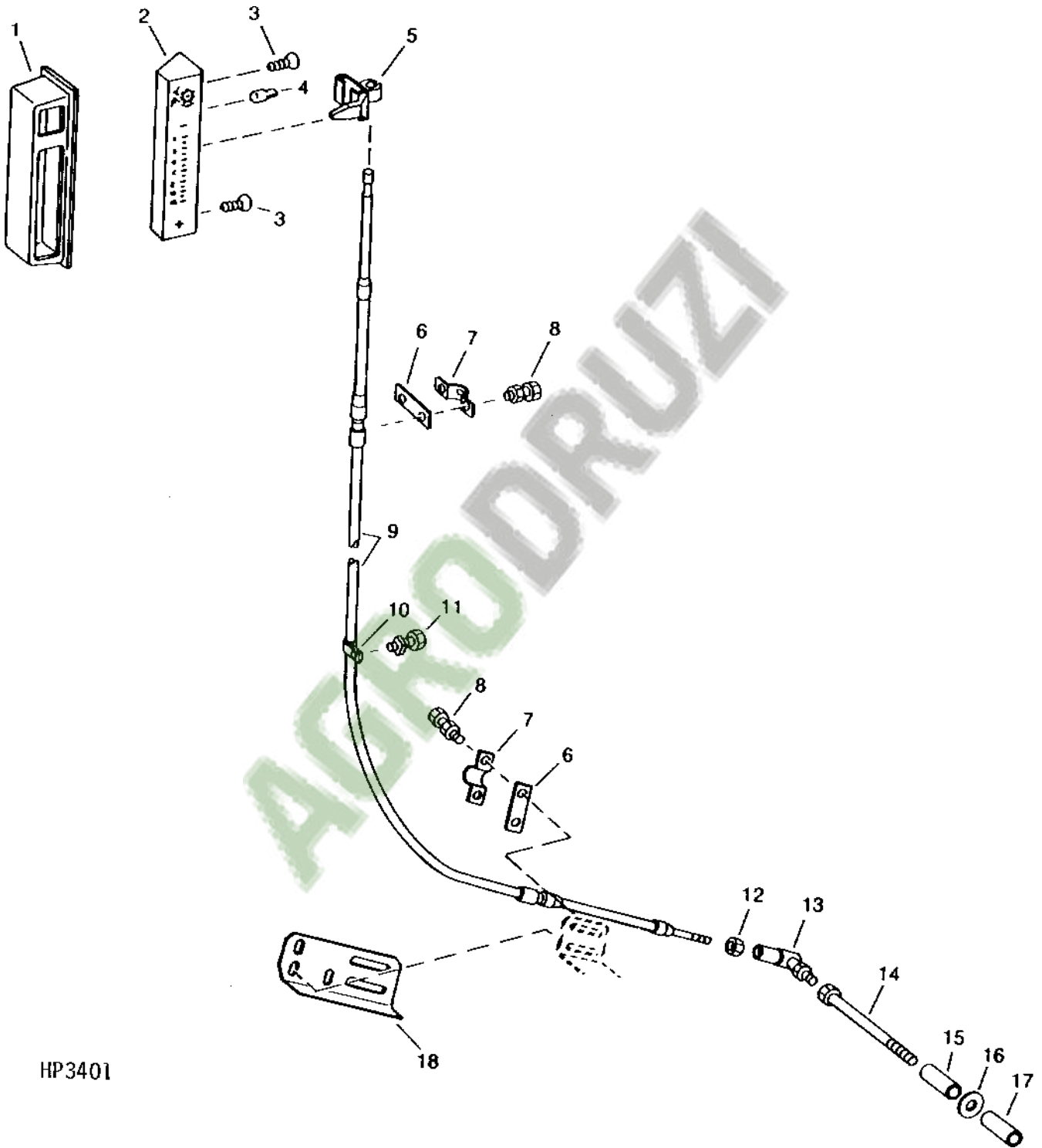


HP5770

8H3

CONCAVE INDICATOR, CABLE AND BRACKETS

HP3401 -UN-01JAN94



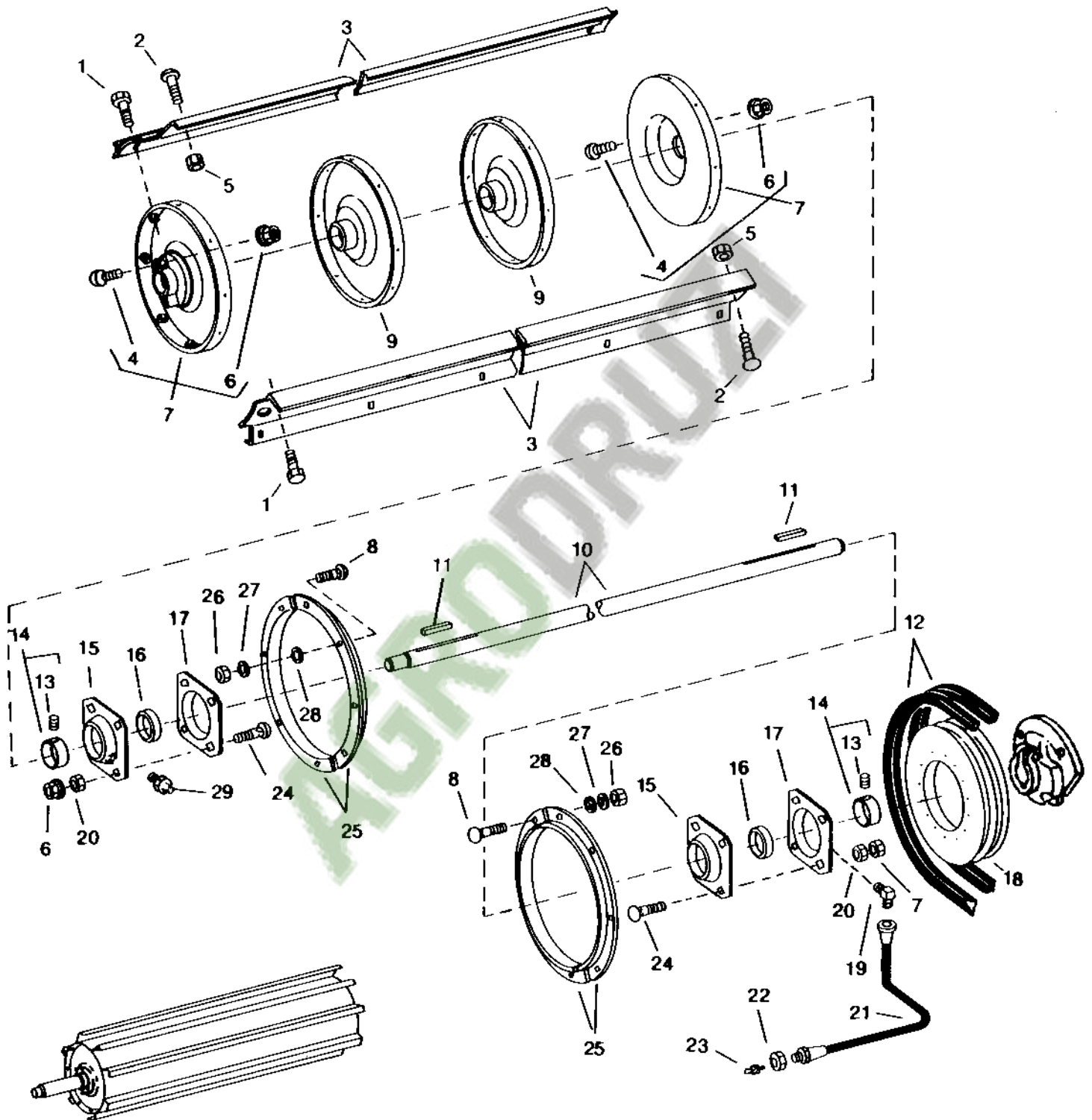
HP3401

8H5

THRESHING AND SEPARATION

BEATER, SHAFT AND DRIVE BELT

HP6100 -UN-27JUN95



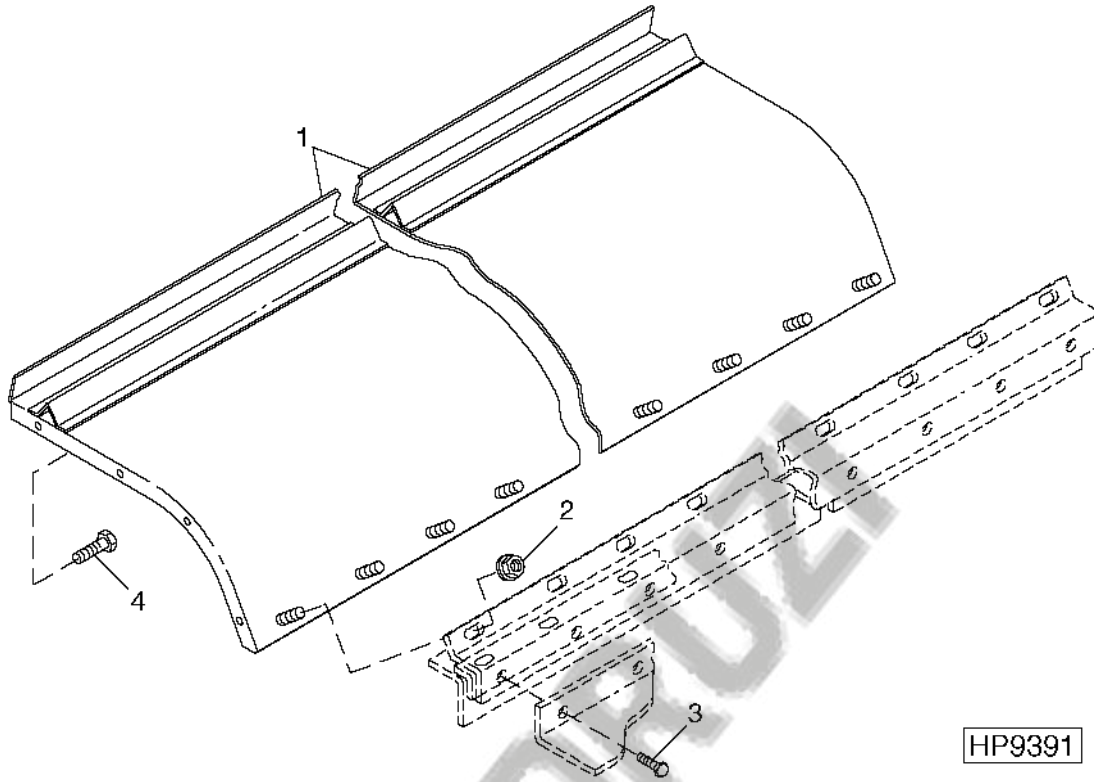
HP6100

8H7

THRESHING AND SEPARATION

BEATER COVER

HP9391 -UN-06DEC99



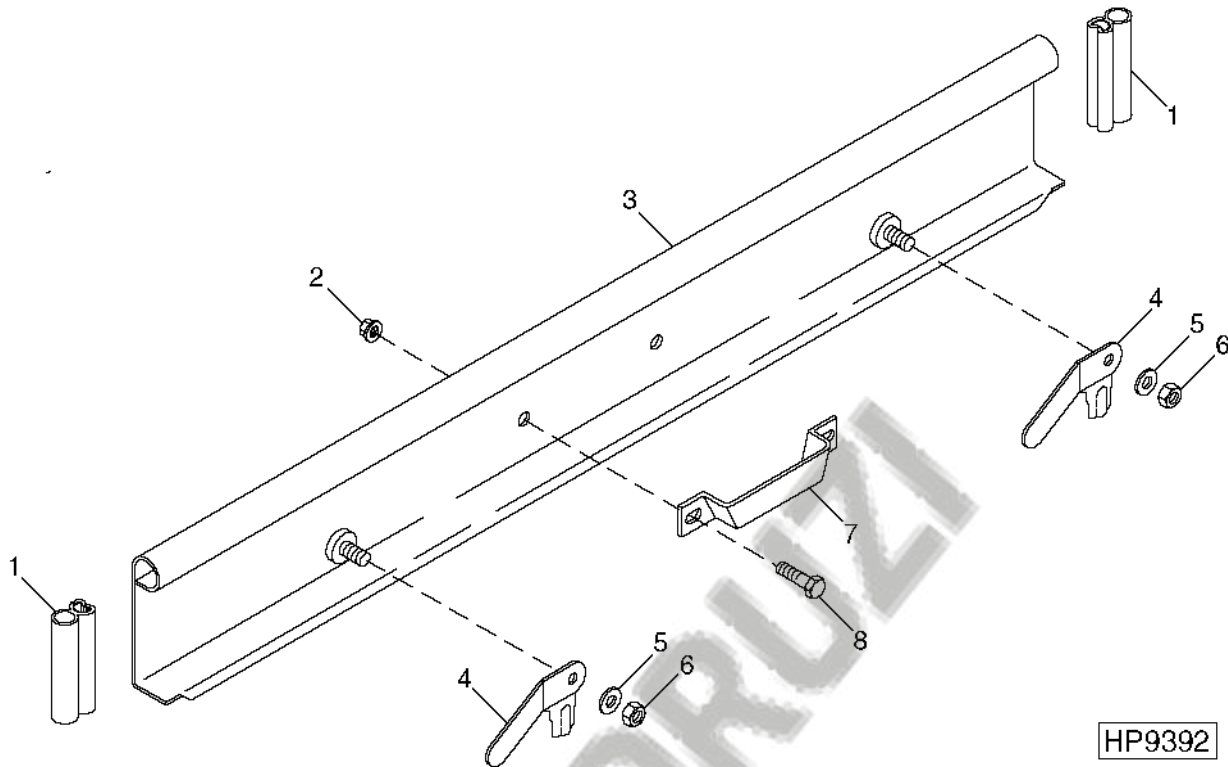
KEY	PART NO.	PART NAME	QTY	SERIAL NO.	S H 9 5 0 0	REMARKS
1	AH121997	COVER	1		X X	
2	14M7298	FLANGE NUT	6		X X	M8
3	37M7080	SCREW	10		X X	M10 X 30
4	37M7058	SCREW	8		X X	M8 X 20

8H8

THRESHING AND SEPARATION

SHOE GRAIN SUPPLY AUGER CLEANOUT DOOR, HANDLE AND LATCHES

HP9392 -UN-06DEC99



HP9392

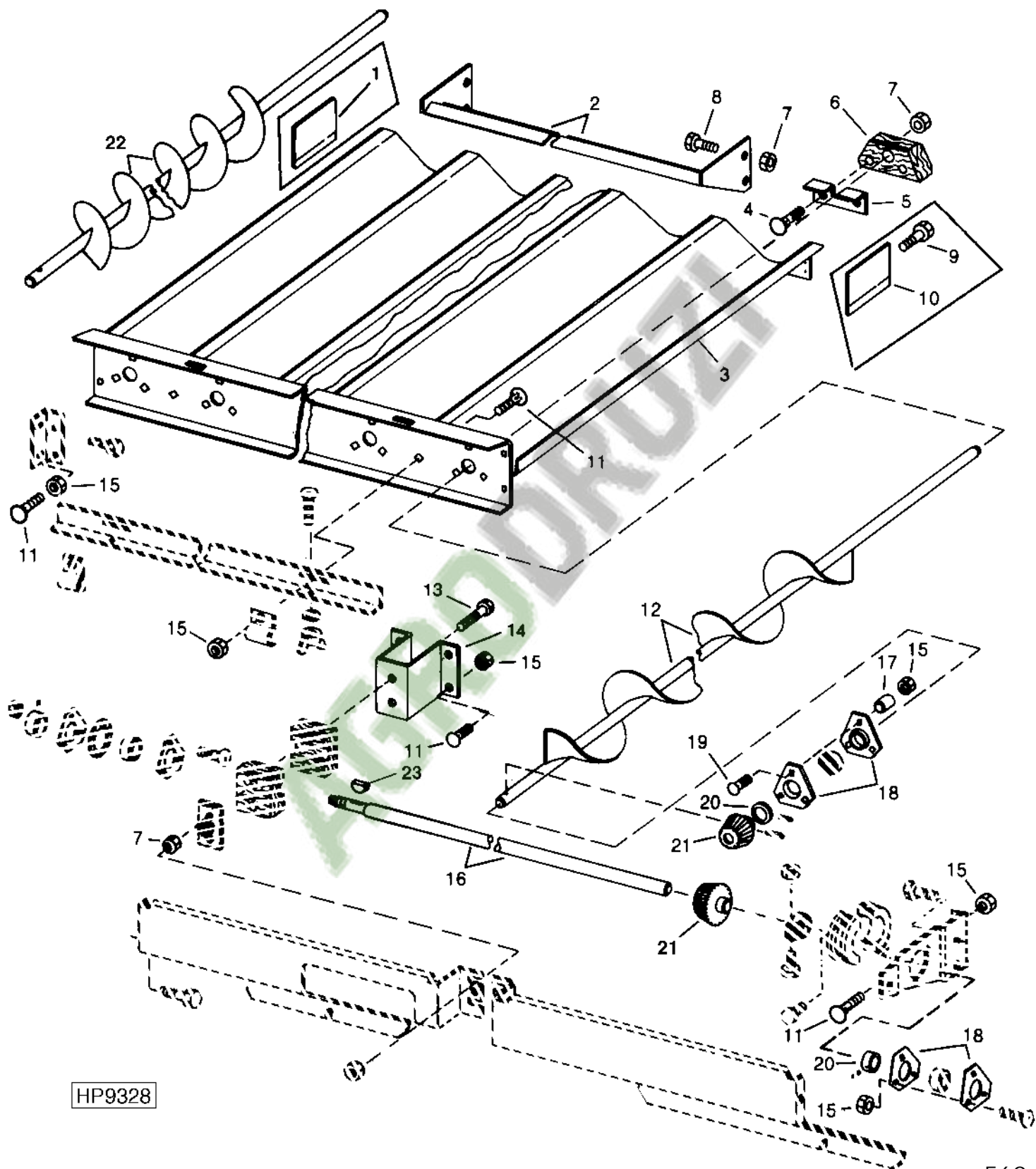
KEY	PART NO.	PART NAME	QTY	SERIAL NO.	REMARKS
				S	
				H	
				9	
				5	
				0	
				0	

AGRO DRUZA

8H9

THRESHING AND SEPARATION

SHOE GRAIN SUPPLY AUGERS AND HOUSING
HP9328 -UN-23NOV99

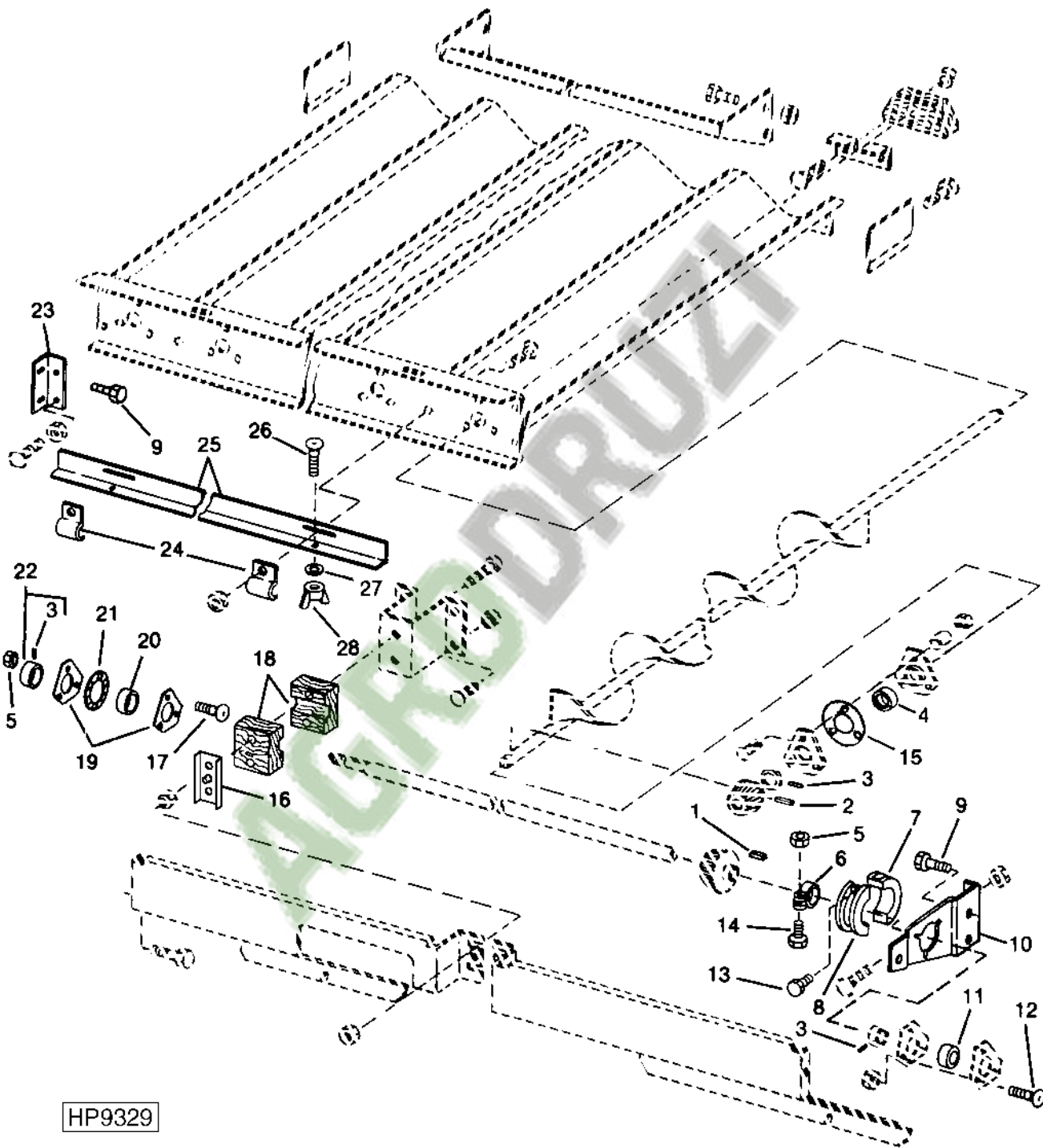


HP9328

8H11

THRESHING AND SEPARATION

SHOE GRAIN SUPPLY AUGERS AND HOUSING
HP9329 -UN-23NOV99

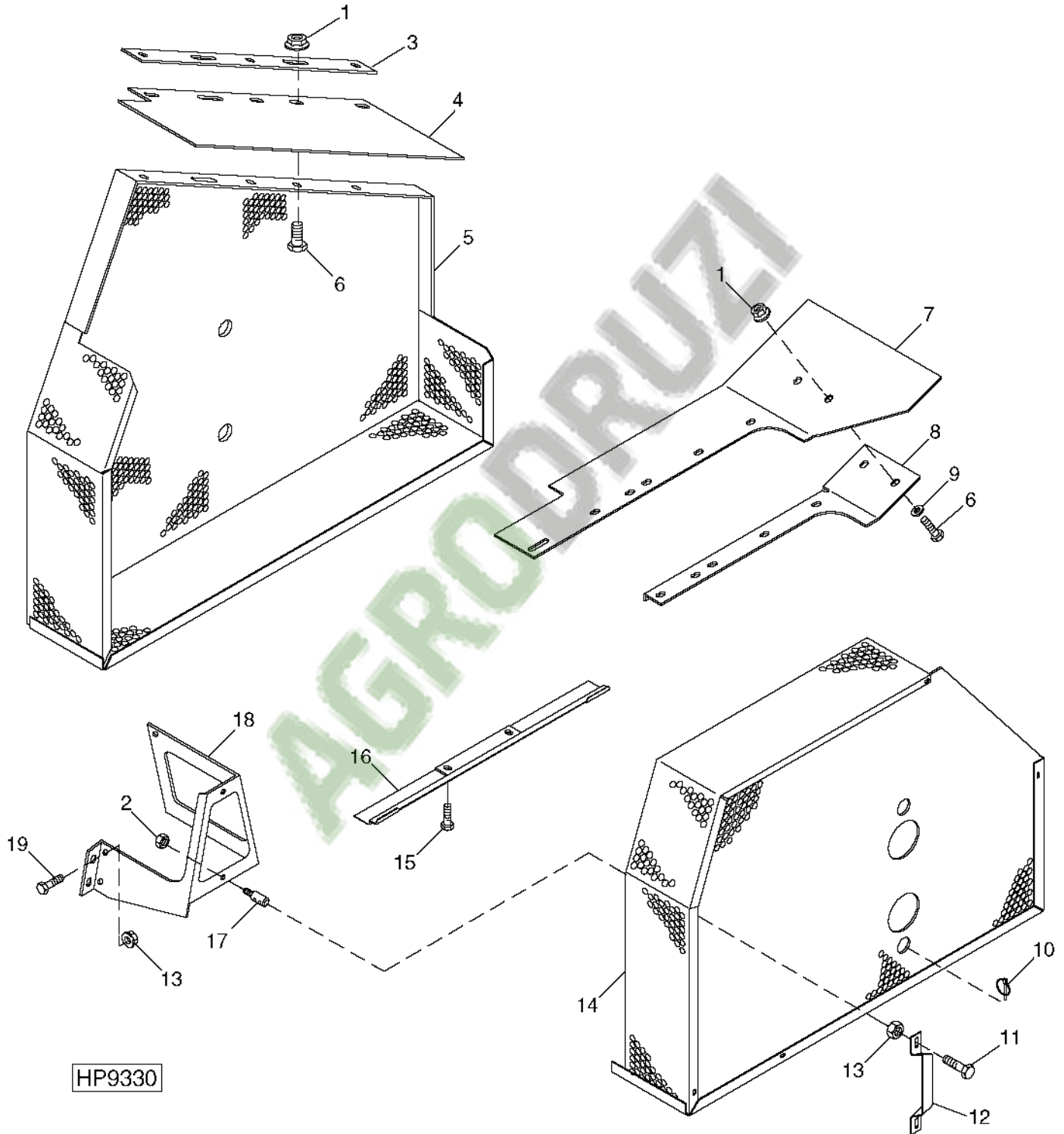


HP9329

8H13

CLEANING FAN LEAF SCREENS (CORN)

(660999-)
HP9330 -UN-23NOV99

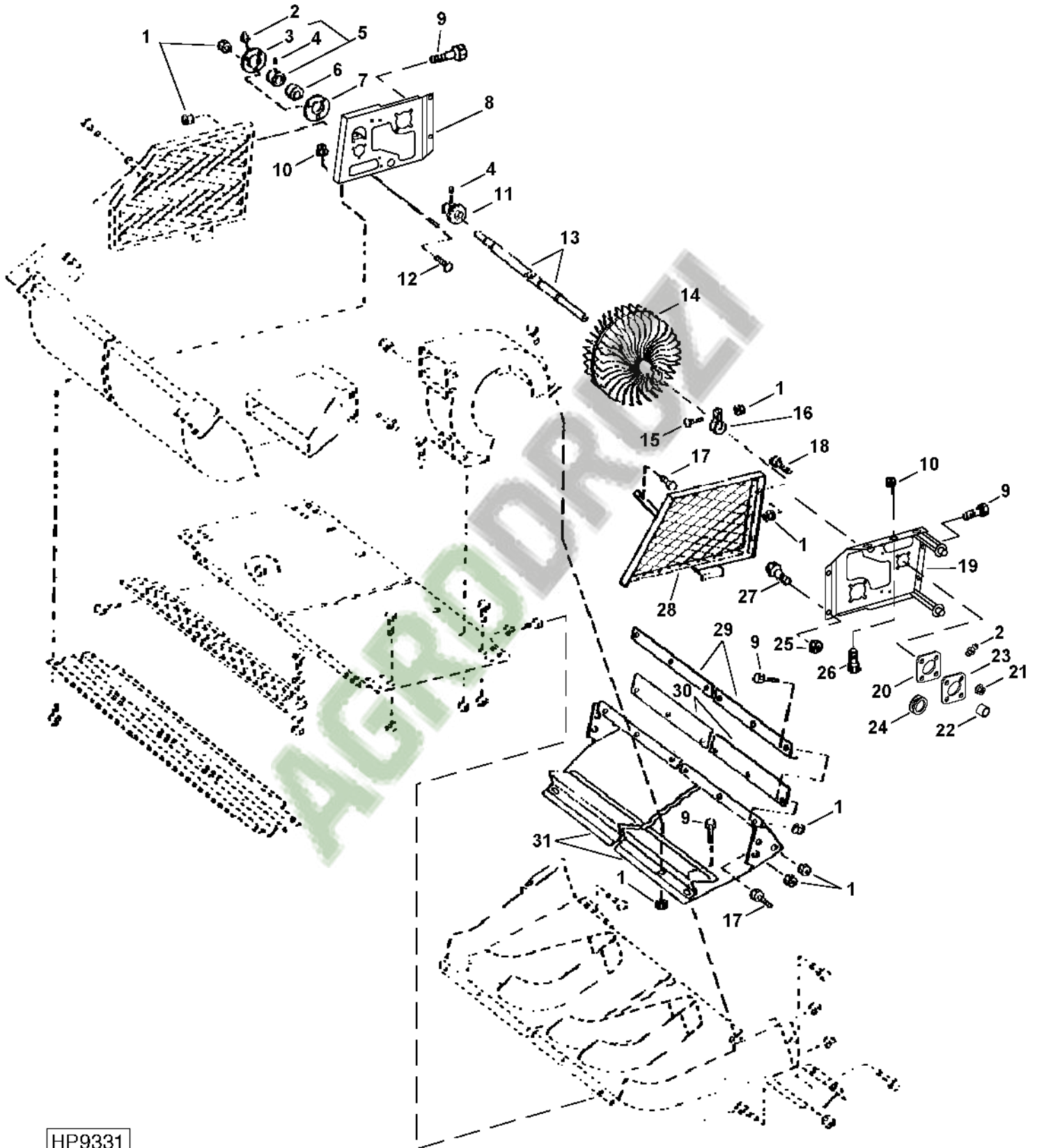


HP9330

8H15

THRESHING AND SEPARATION

CLEANING FANS AND SHROUDS
HP9331 -UN-22NOV99



HP9331

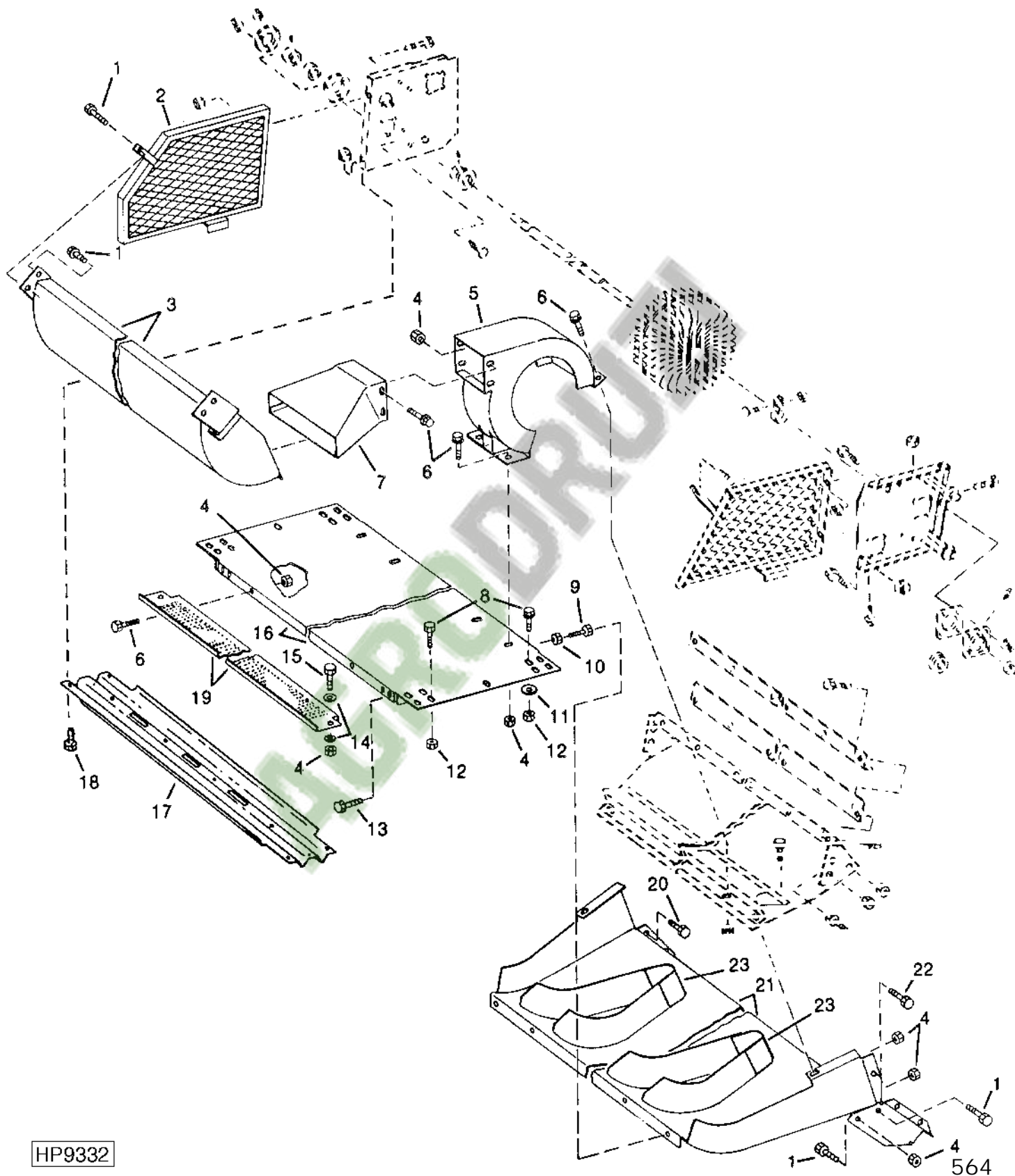
563

8H17

THRESHING AND SEPARATION

CLEANING FANS AND SHROUDS

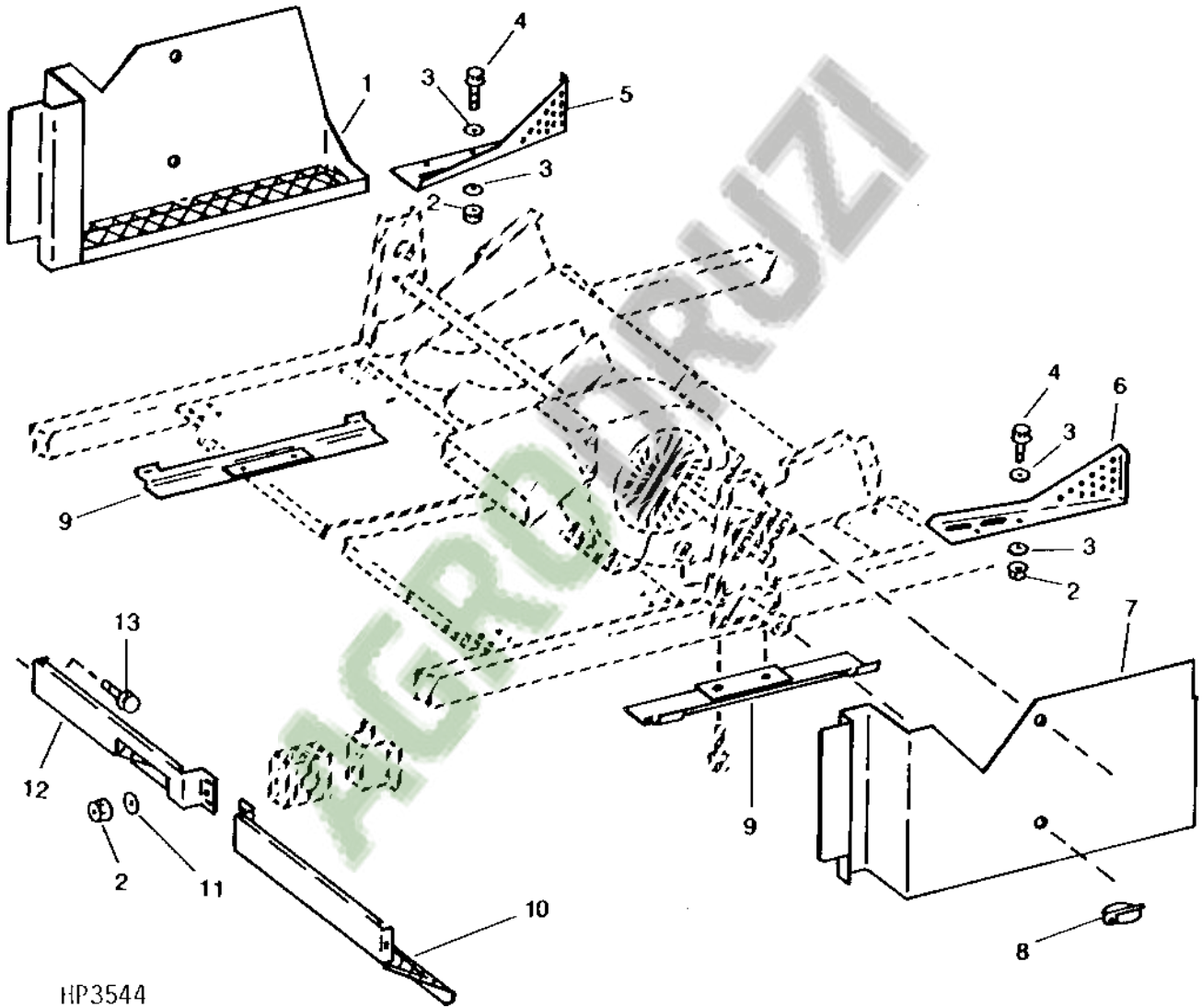
HP9332 -UN-22NOV99



HP9332

8H19

CLEANING FAN INTAKE SHIELDS
(OPTIONAL) (-643087)
HP3544 -UN-01JAN94



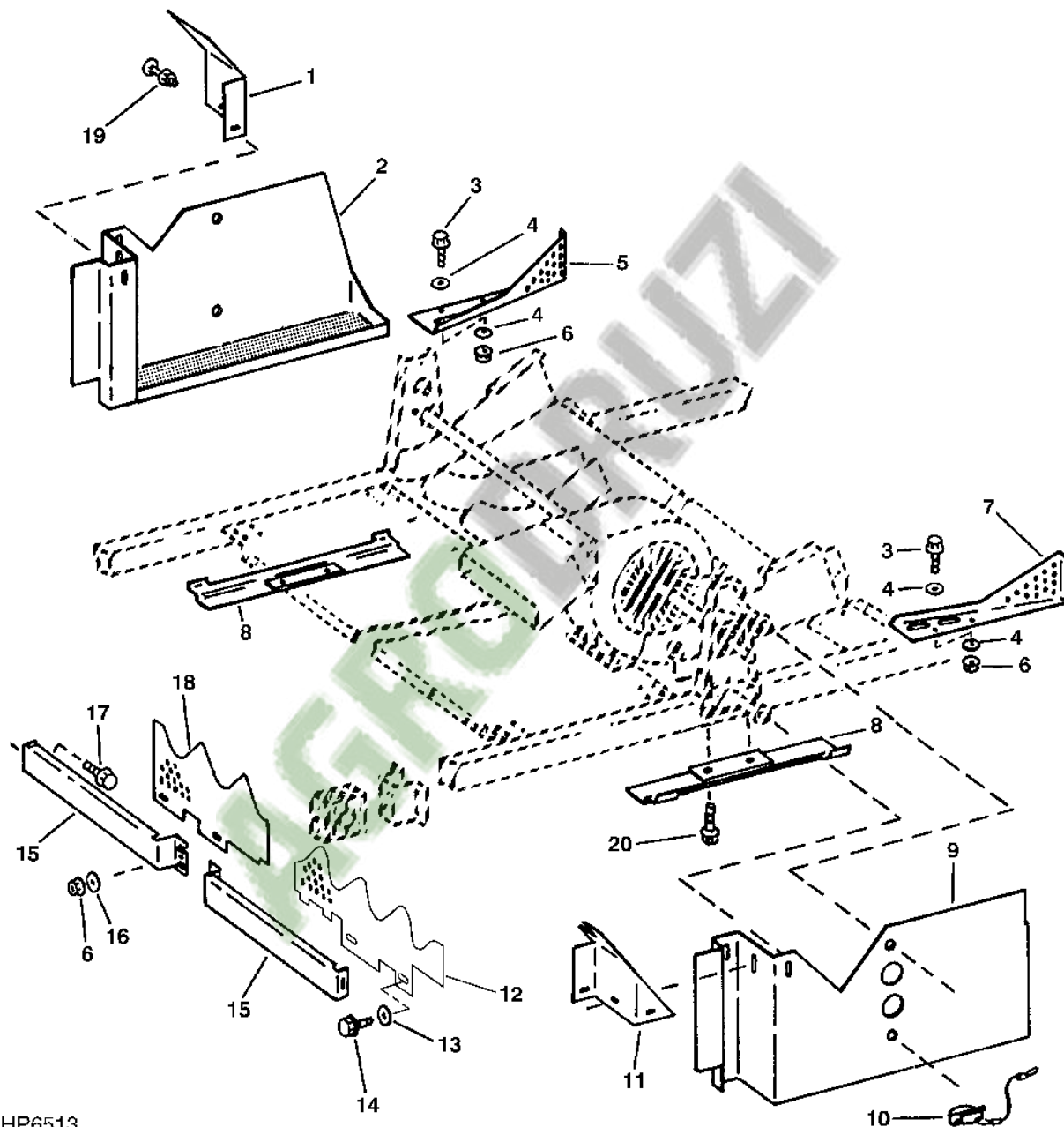
HP3544

8H21

CLEANING FAN INTAKE SHIELDS

(OPTIONAL) (643088-)

HP6513 -UN-15JUL96

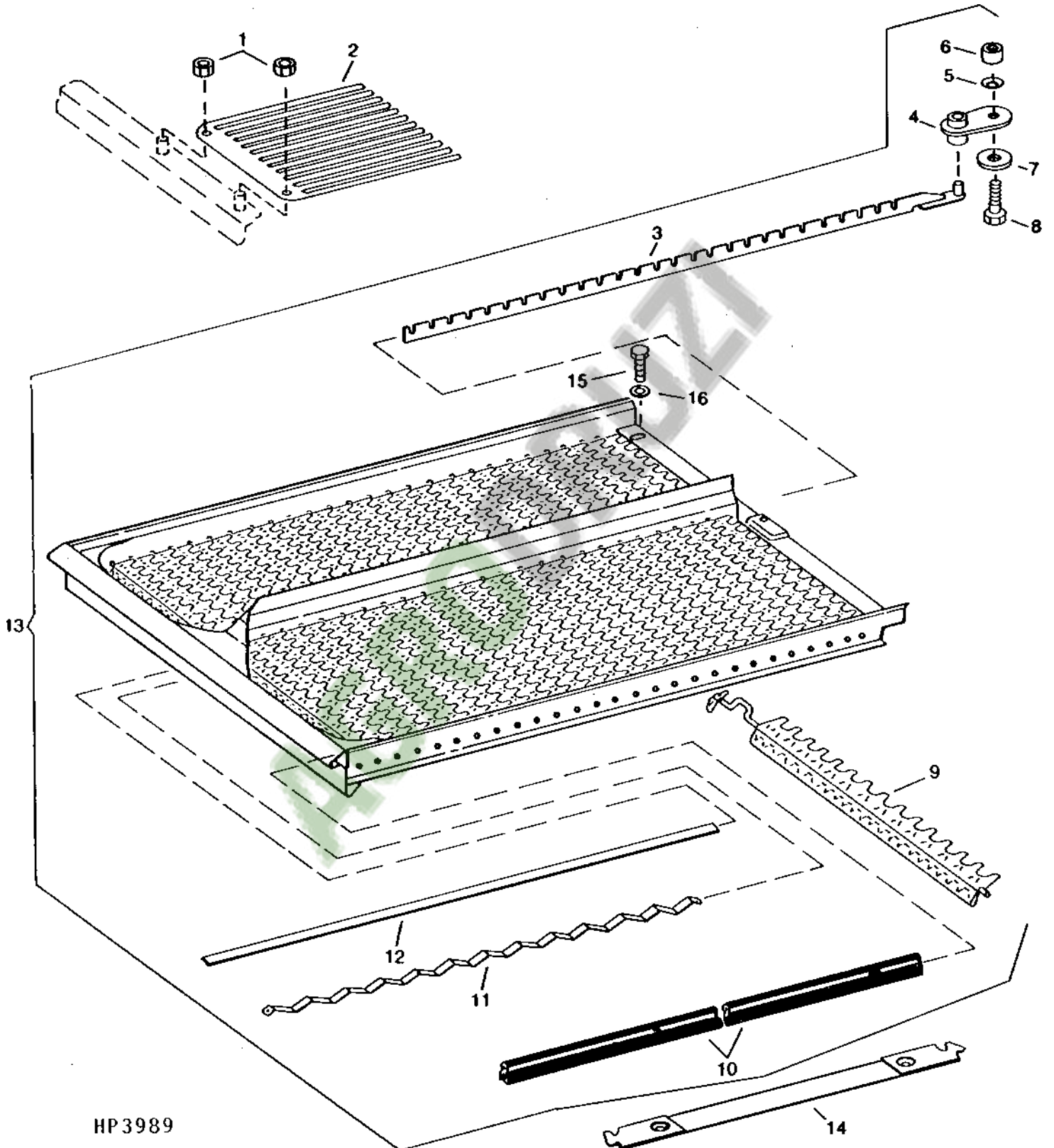


HP6513

8H23

THRESHING AND SEPARATION

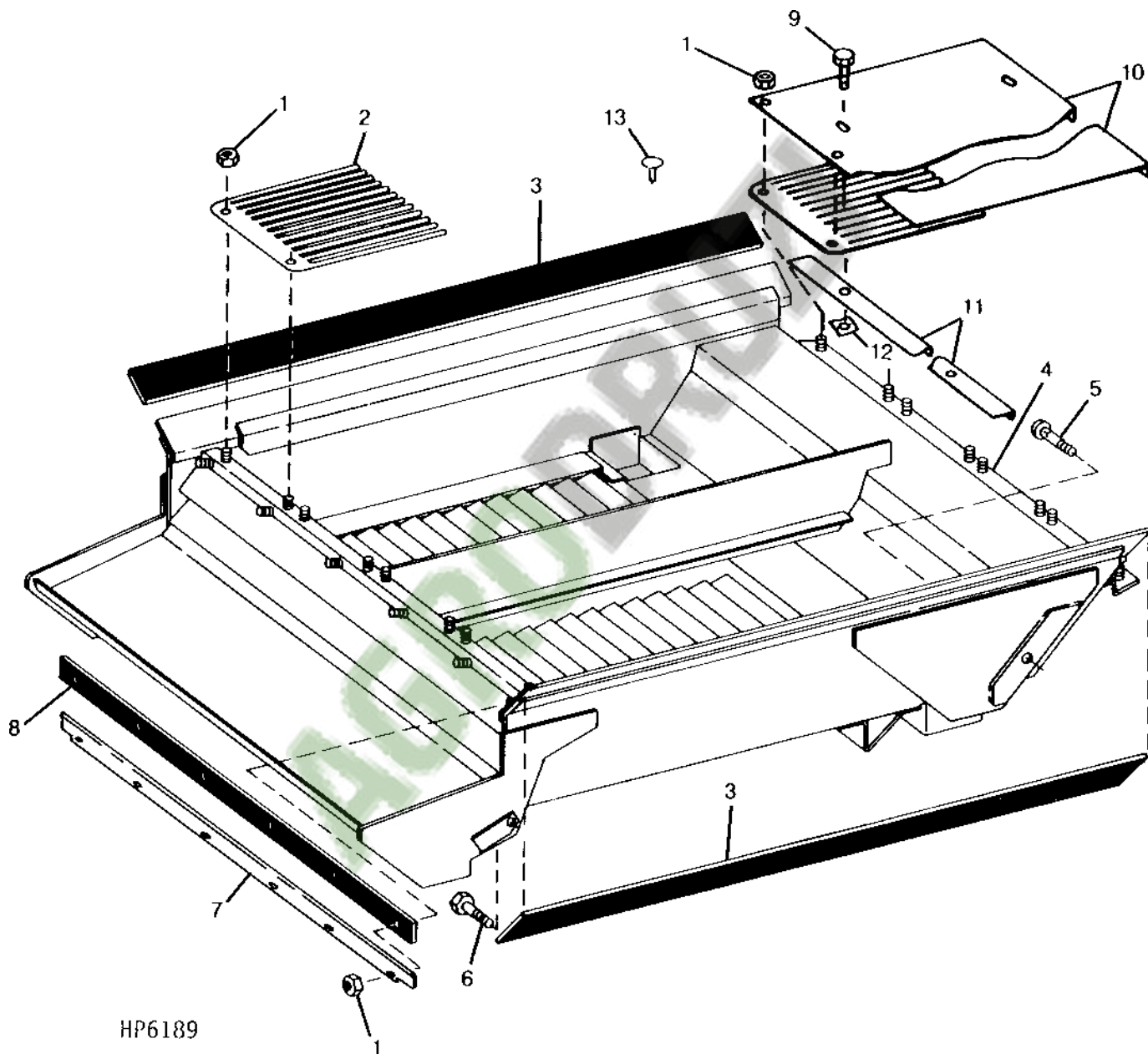
PRECLEANING CHAFFER
HP3989 -UN-01JAN94



HP3989

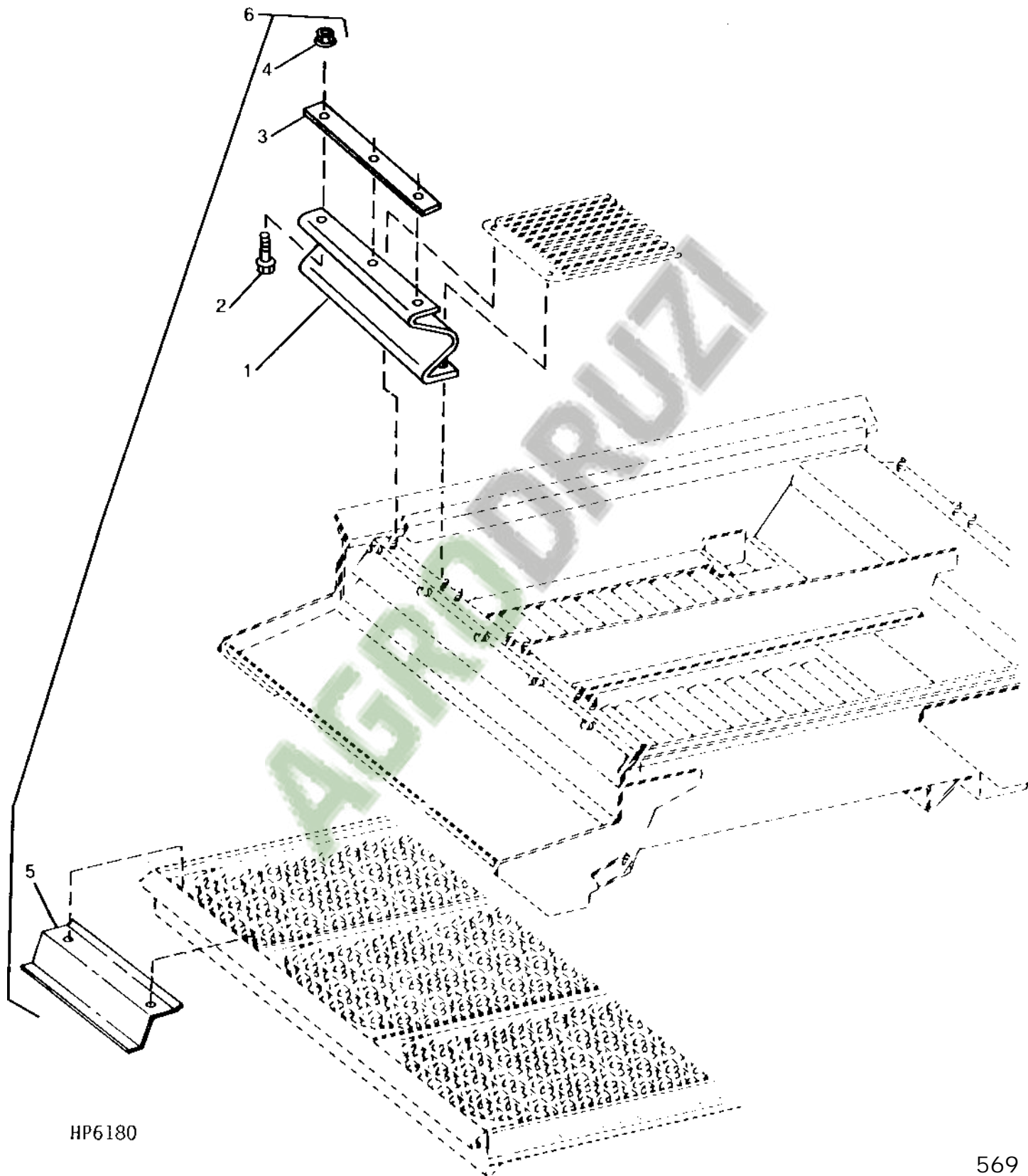
567

PRECLEANER CHAFFER FRAME
HP6189 -UN-03OCT95

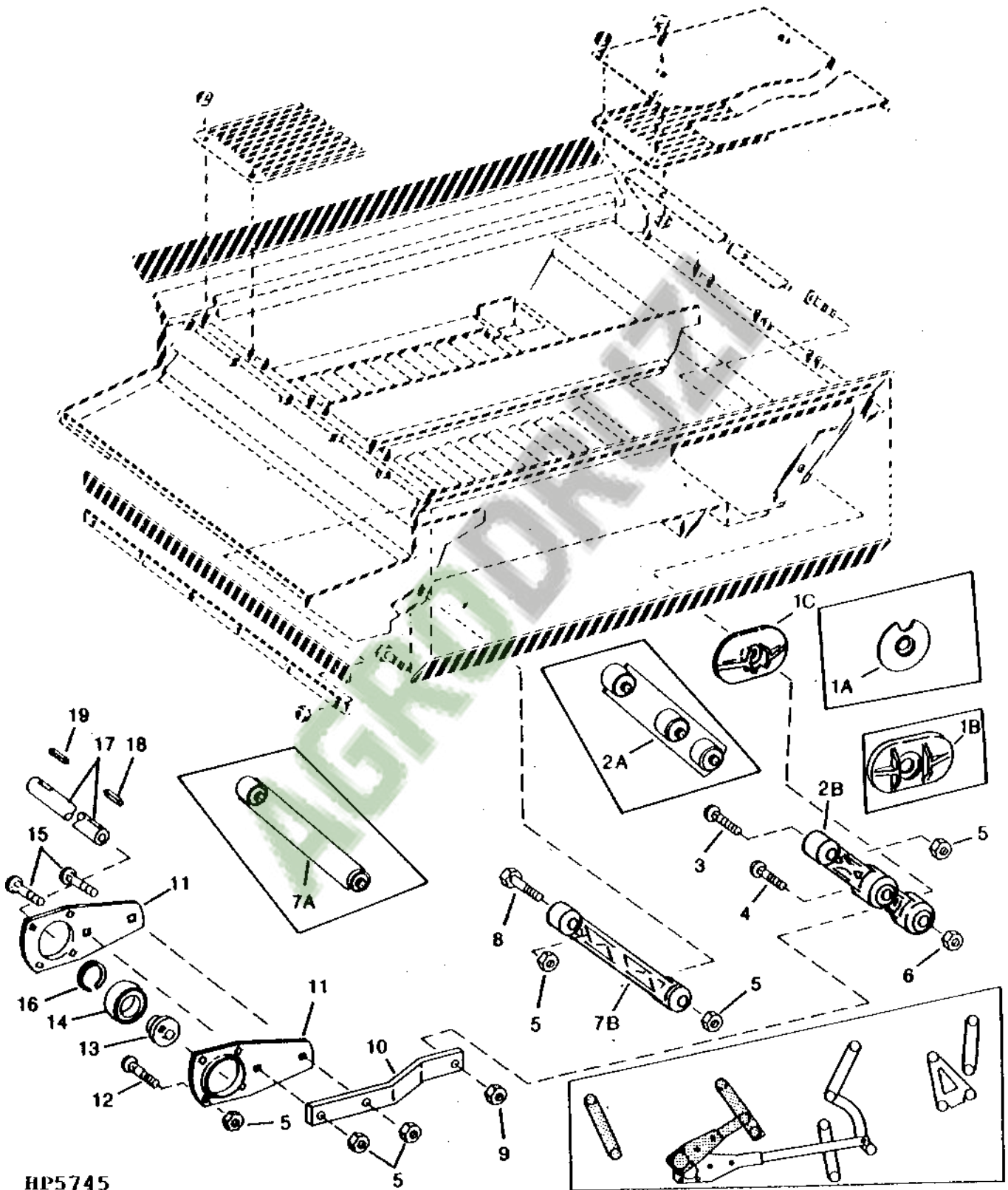


HP6189

GRAIN LEAK KIT
9500 (662173-)
SH9500 (660619-)
HP6180 -UN-03OCT95



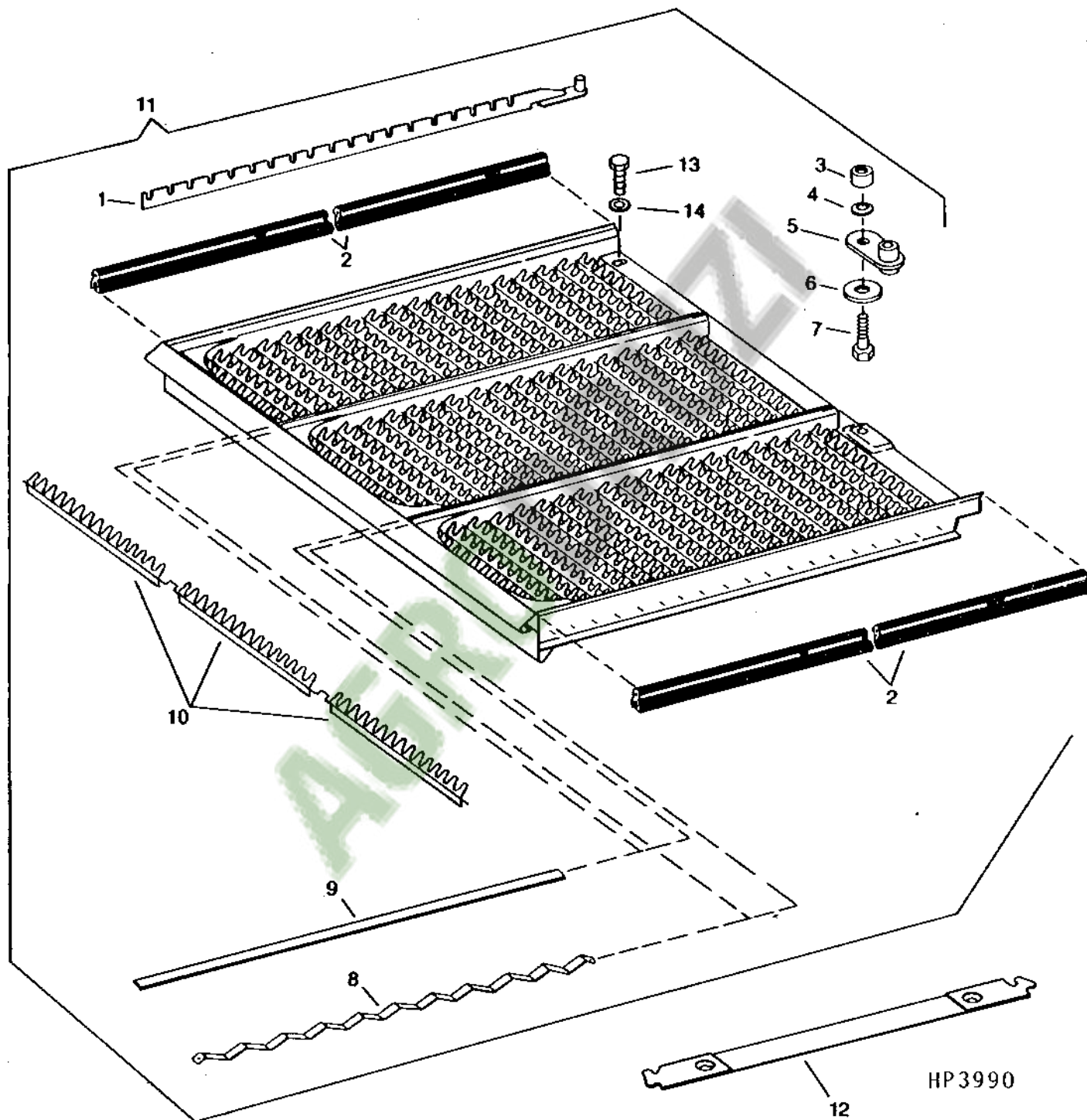
PRECLEANER CHAFFER FRAME ARMS
HP5745 -UN-01JAN94



HP5745

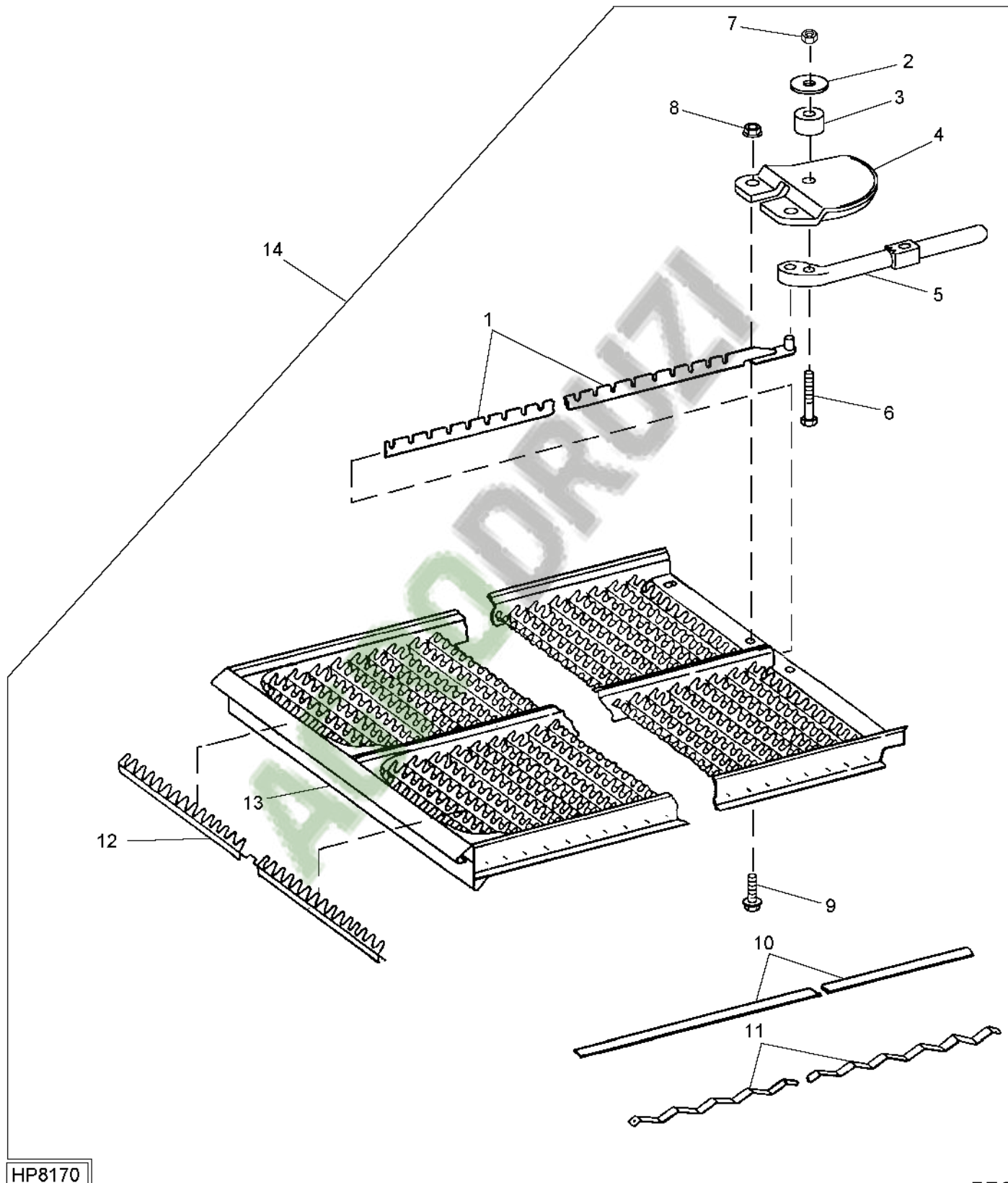
570

CHAFFER ELEMENT
HP3990 -UN-01JAN94



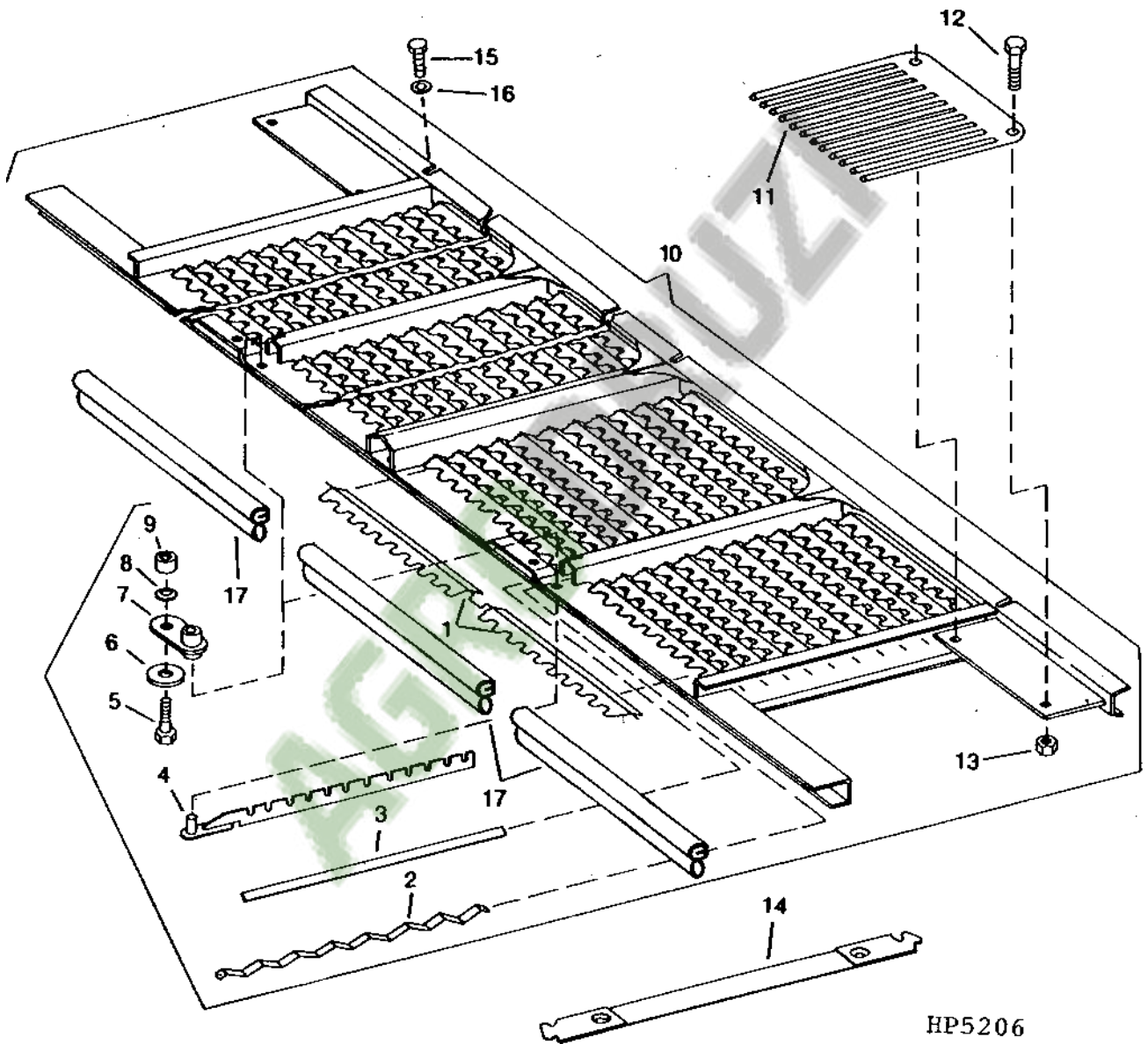
HP3990

CHAFFER ELEMENT-DEEP TOOTH NARROW
HP8170 -UN-17FEB99



HP8170

CHAFFER EXTENSION ELEMENT
HP5206 -UN-01JAN94

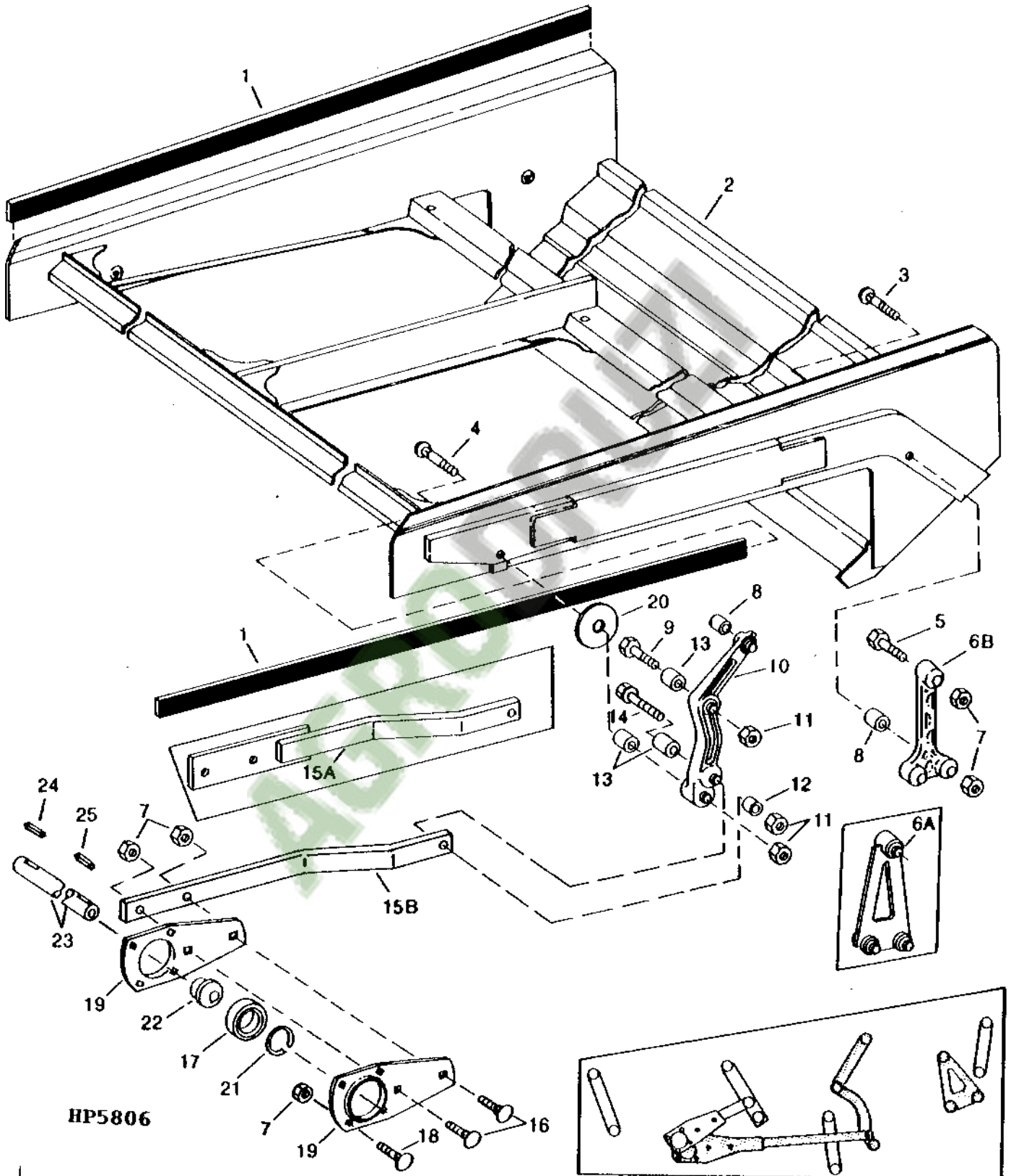


HP5206

8113

THRESHING AND SEPARATION

CHAFFER FRAME
HP5806 -UN-01JAN94



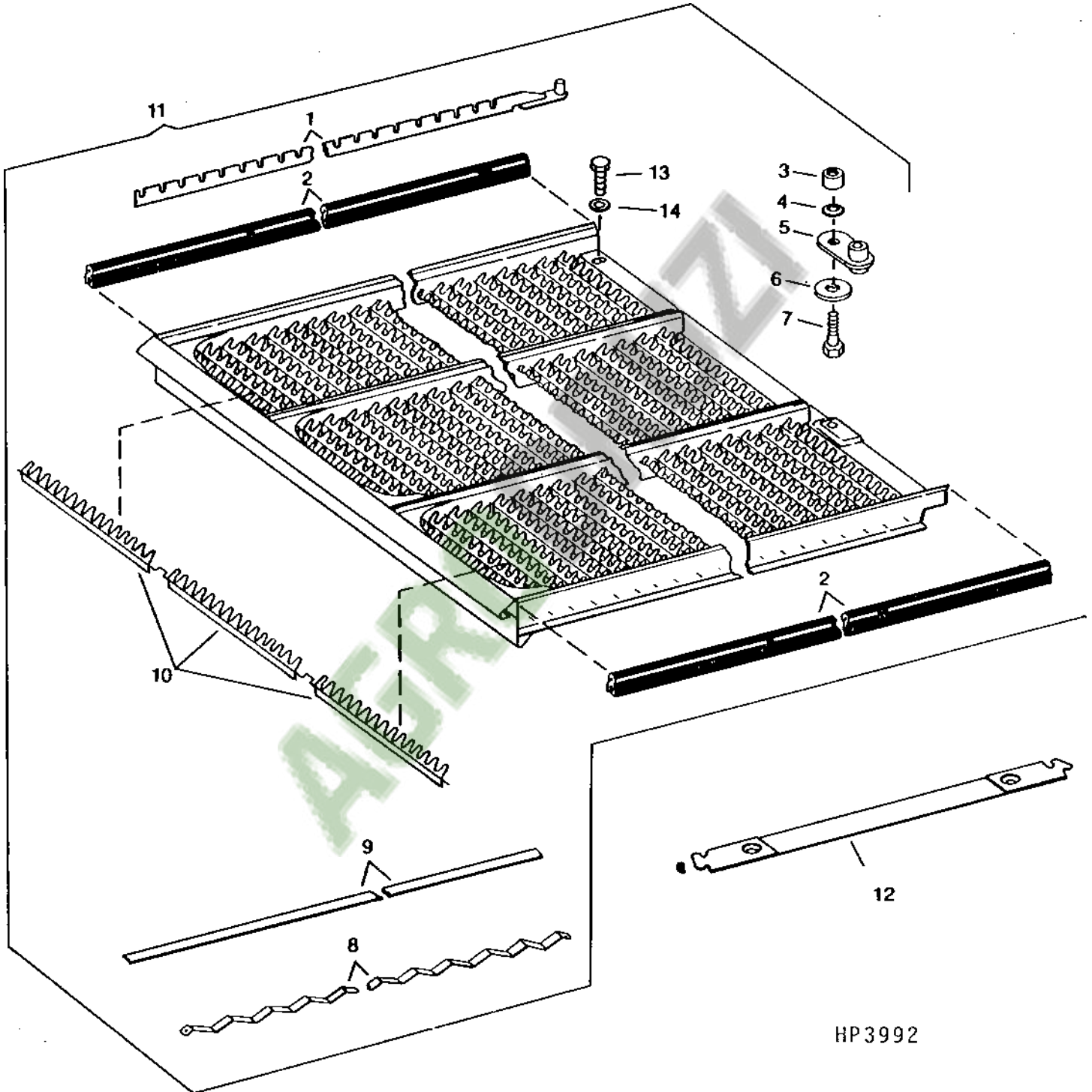
HP5806

574

8115

THRESHING AND SEPARATION

SIEVE ELEMENT
HP3992 -UN-01JAN94

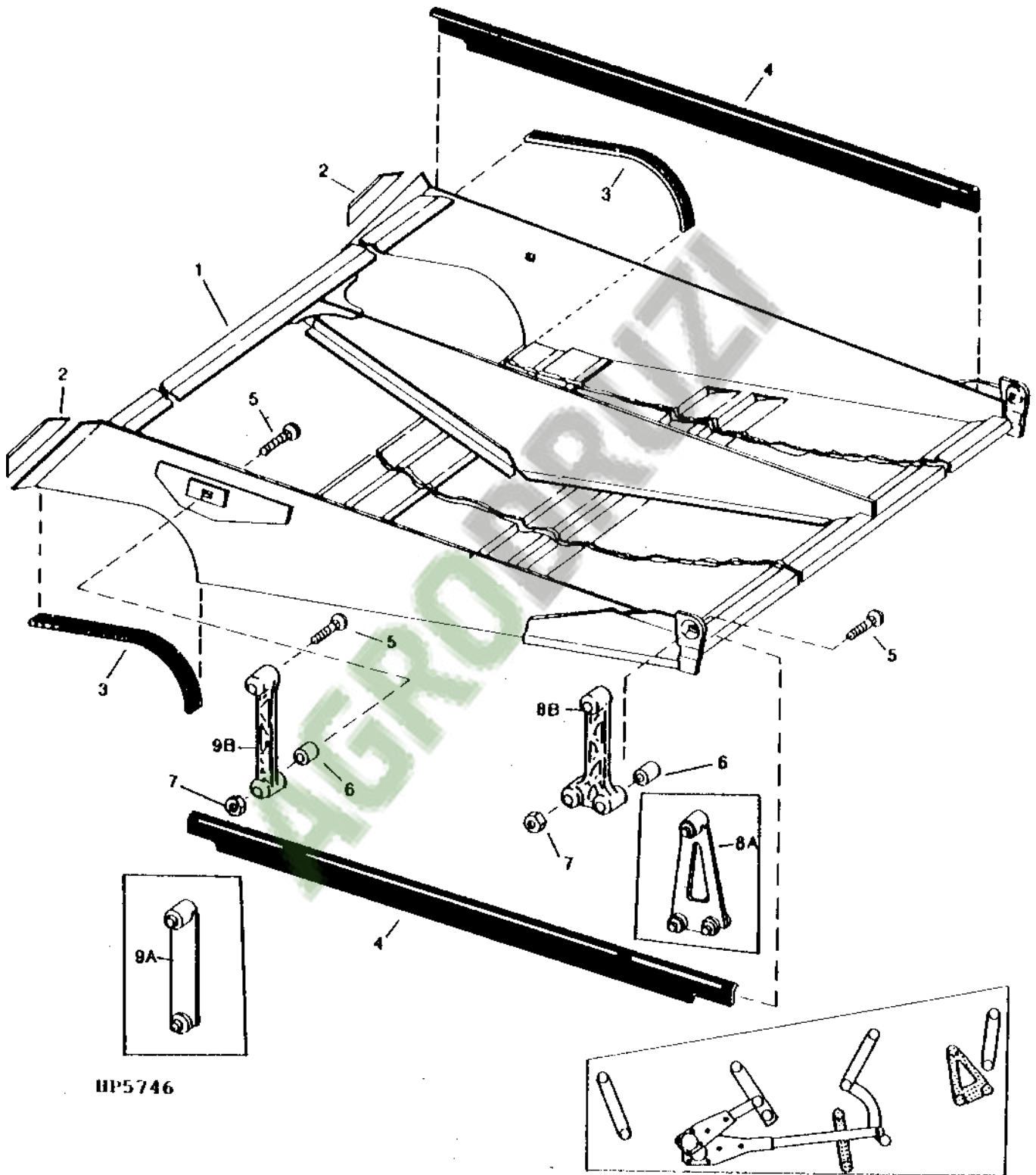


HP3992

575

8117

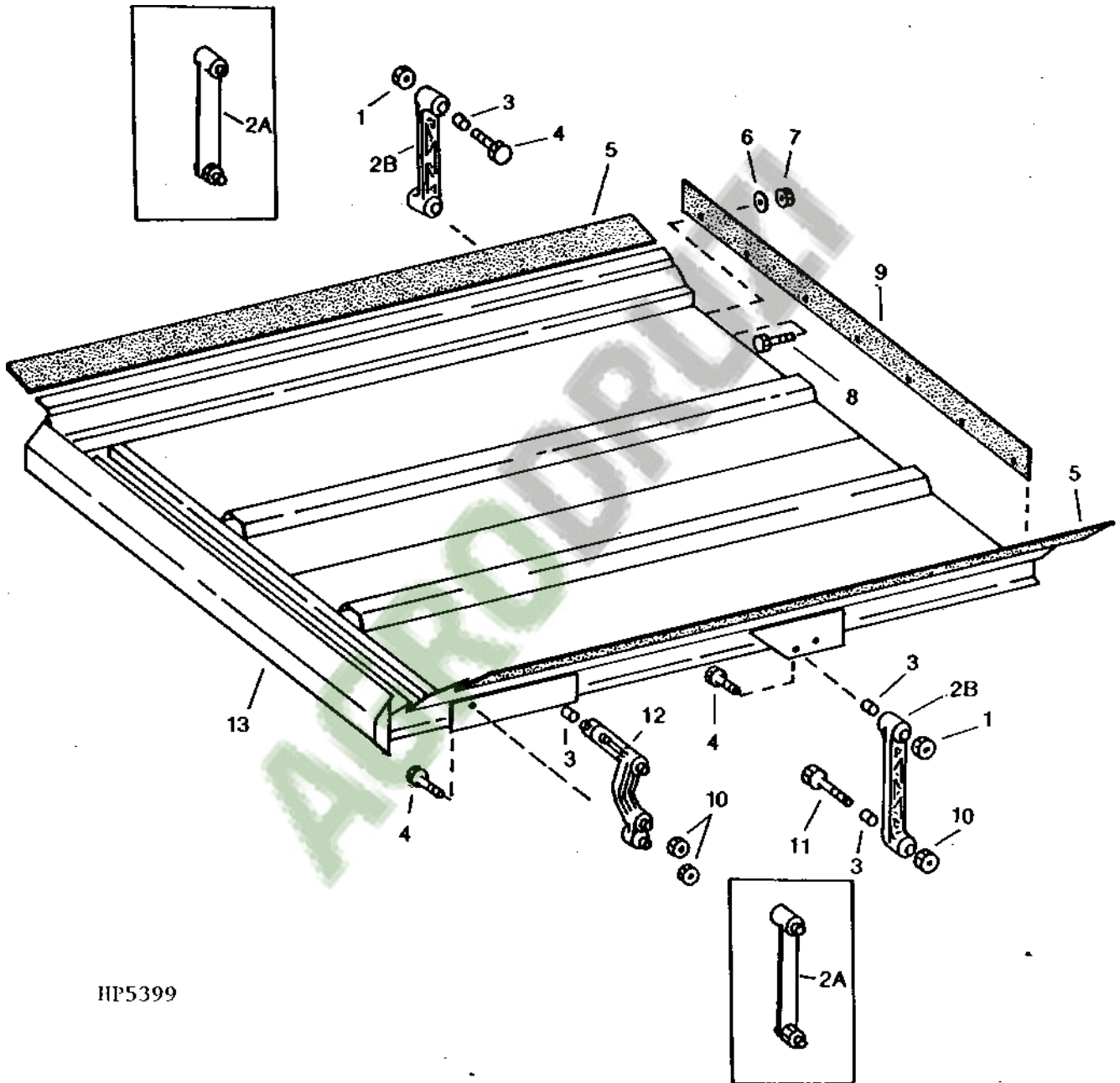
SIEVE FRAME
HP5746 -UN-01JAN94



HP5746

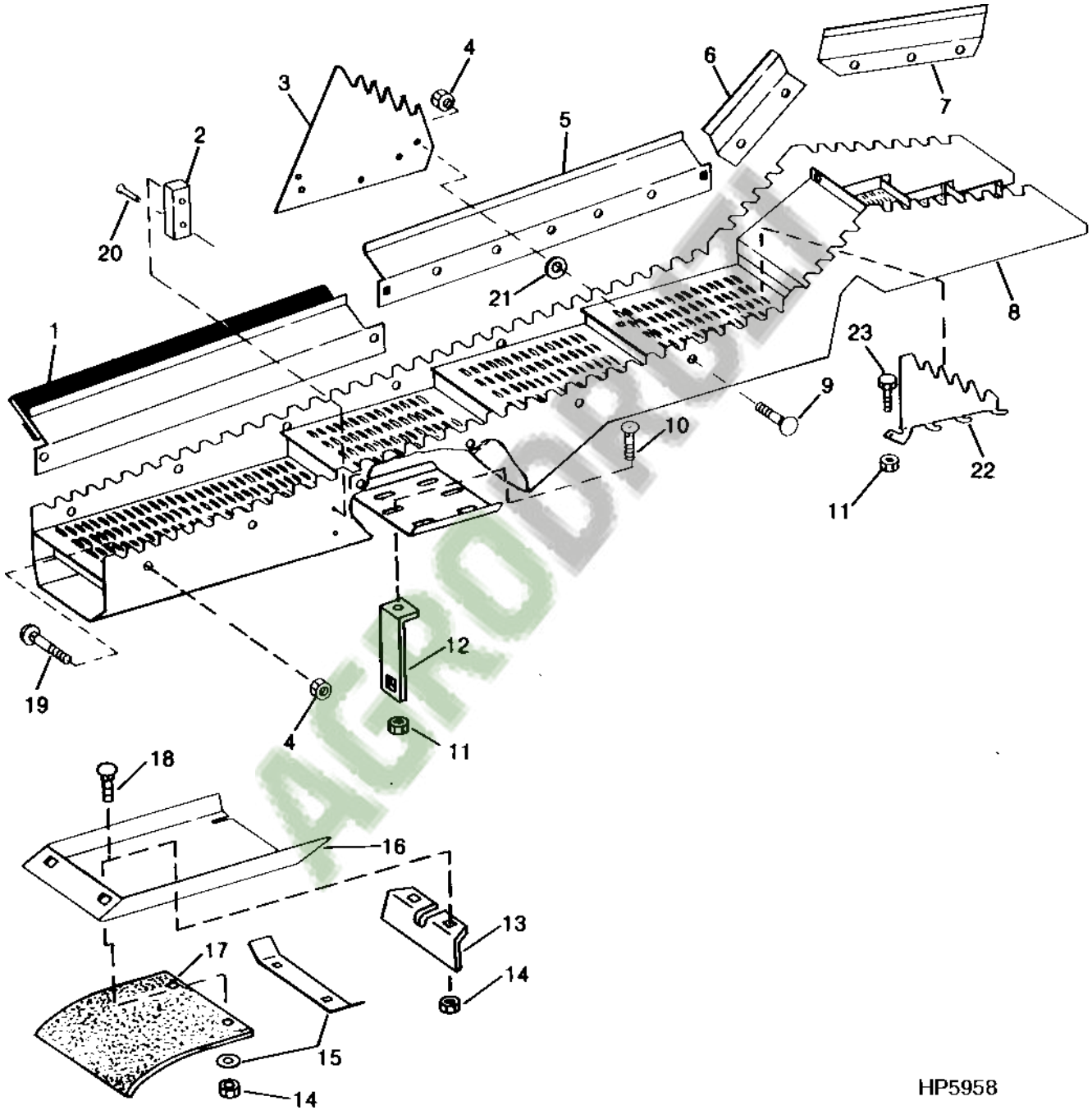
8119

SHAKER PAN
HP5399 -UN-01JAN94



HP5399

STRAW WALKERS
HP5958 -UN-27APR95



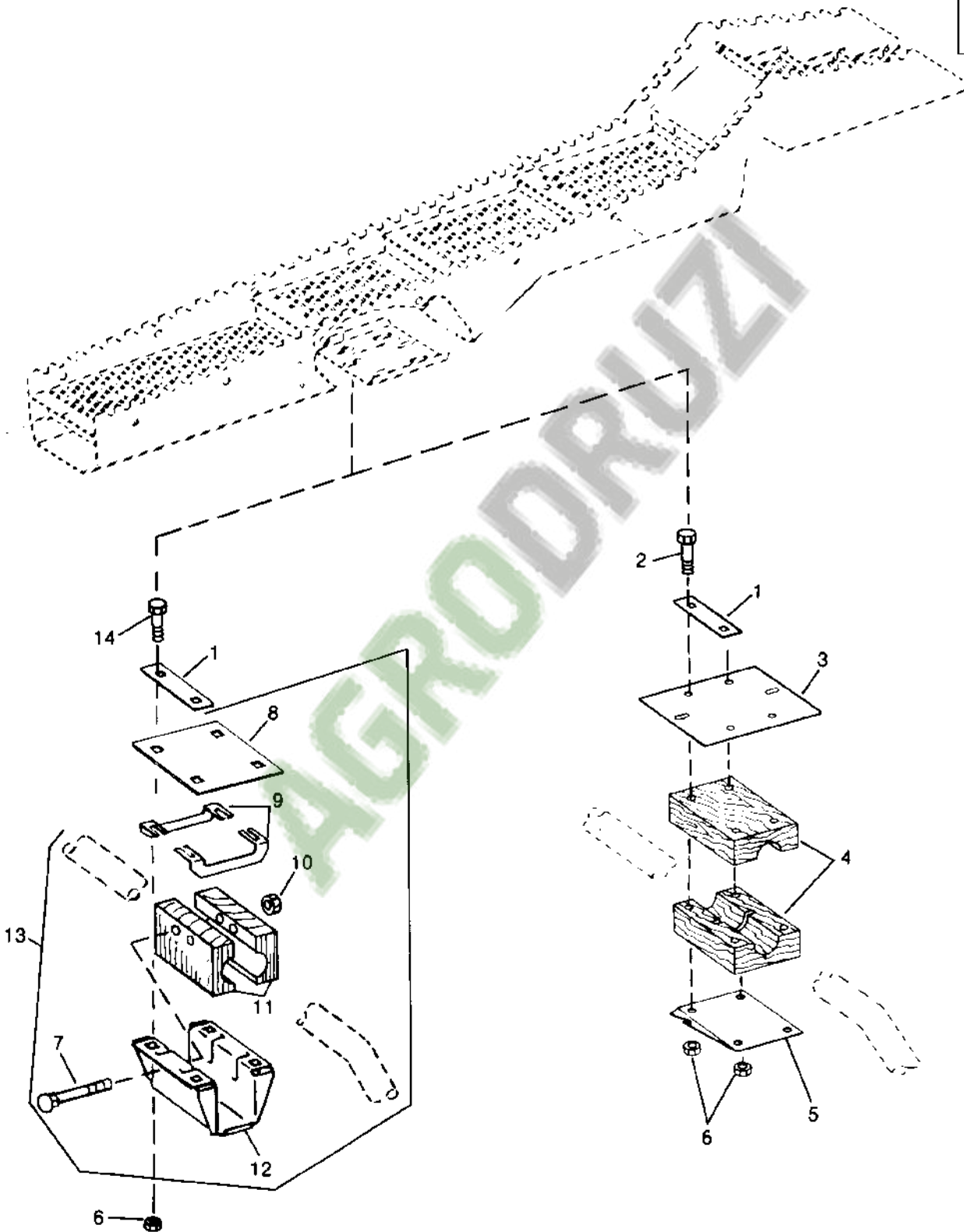
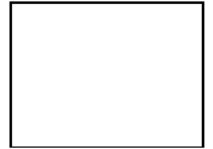
HP5958

8123

STRAW WALKER BEARINGS

(-650200)

HP6592 -UN-13DEC96



HP6592
579

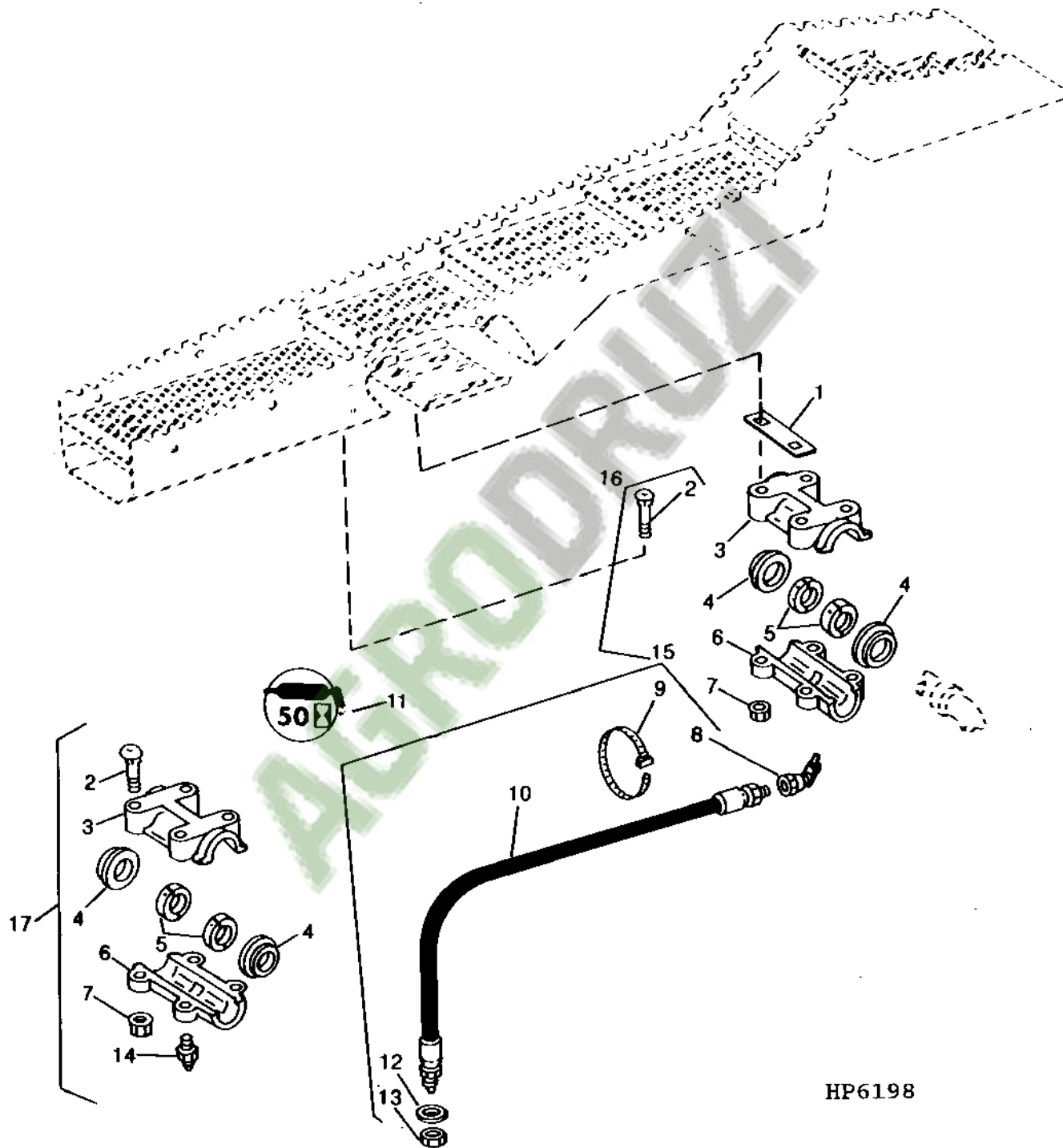
8J1

STRAW WALKER BEARING KIT

(650201-665200)

HP6198

-UN-25SEP95

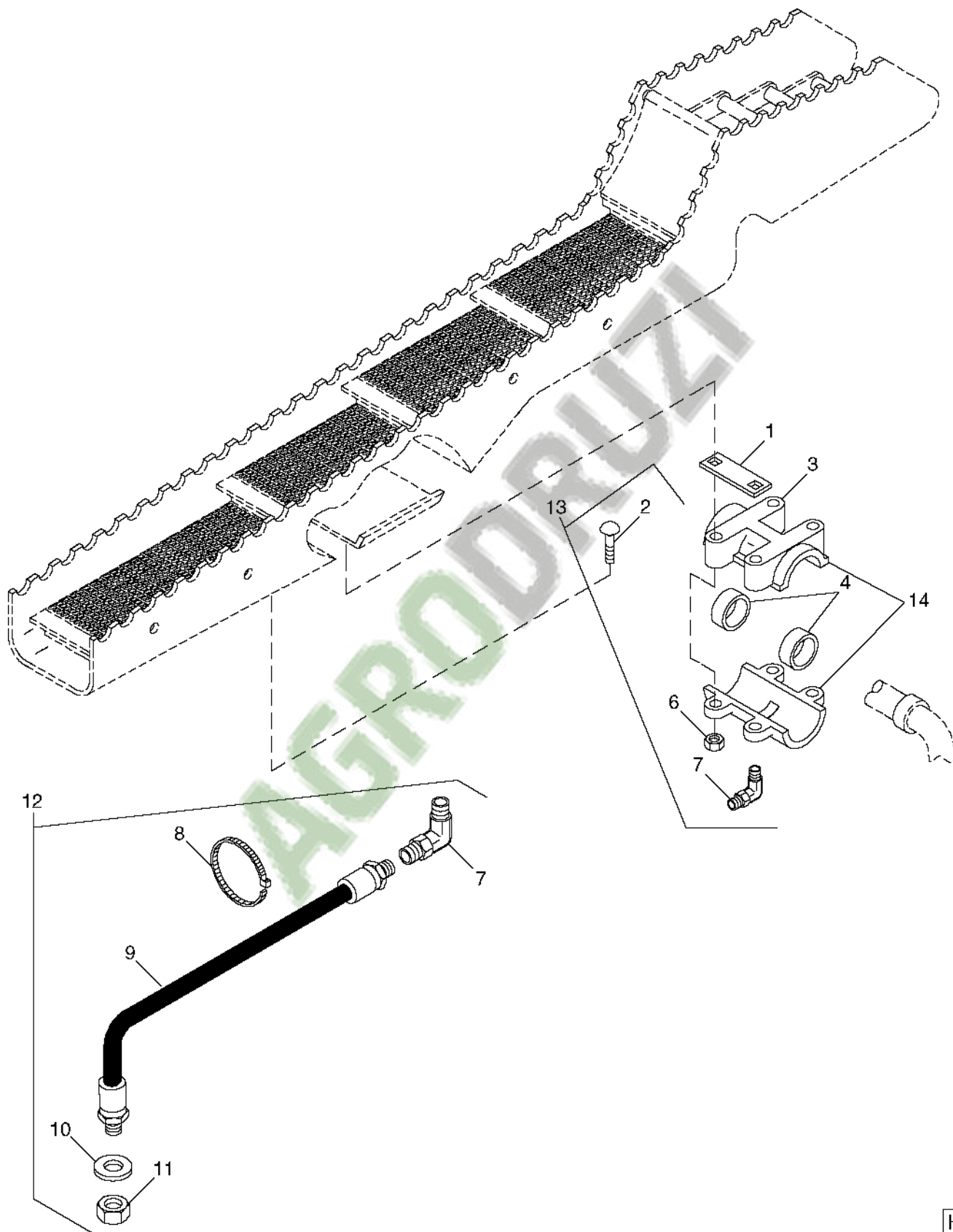


HP6198

8J3

STRAW WALKER BEARING KIT

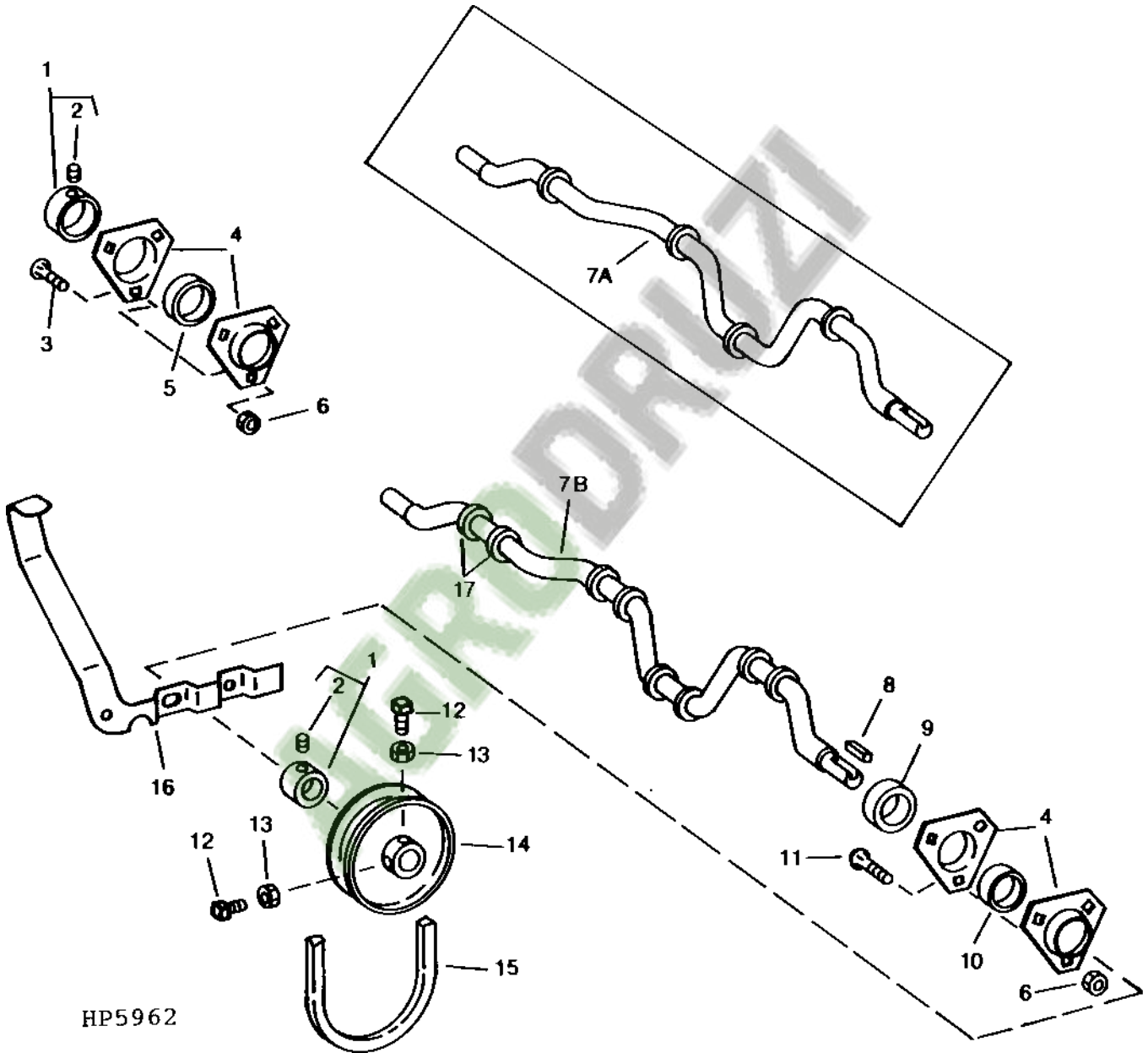
(665201-)
HP9645 -UN-27MAR00



581
HP9645

8J5

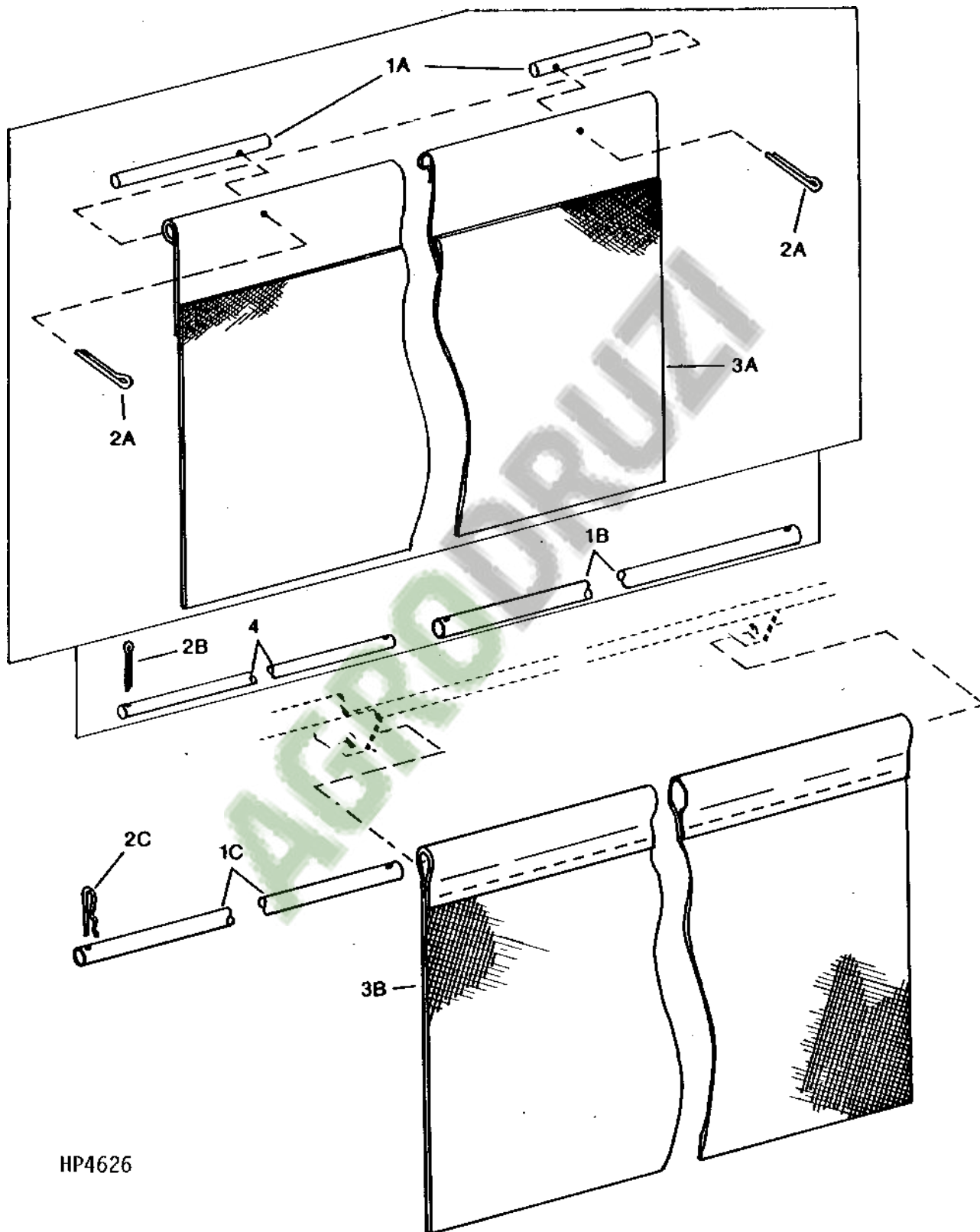
STRAW WALKER CRANKS, STRAW SPREADER DRIVE AND SHIELD
HP5962 -UN-27APR95



HP5962

8J7

SEPARATOR CURTAIN
(RASP BAR CYLINDER)
HP4626 -UN-01JAN94

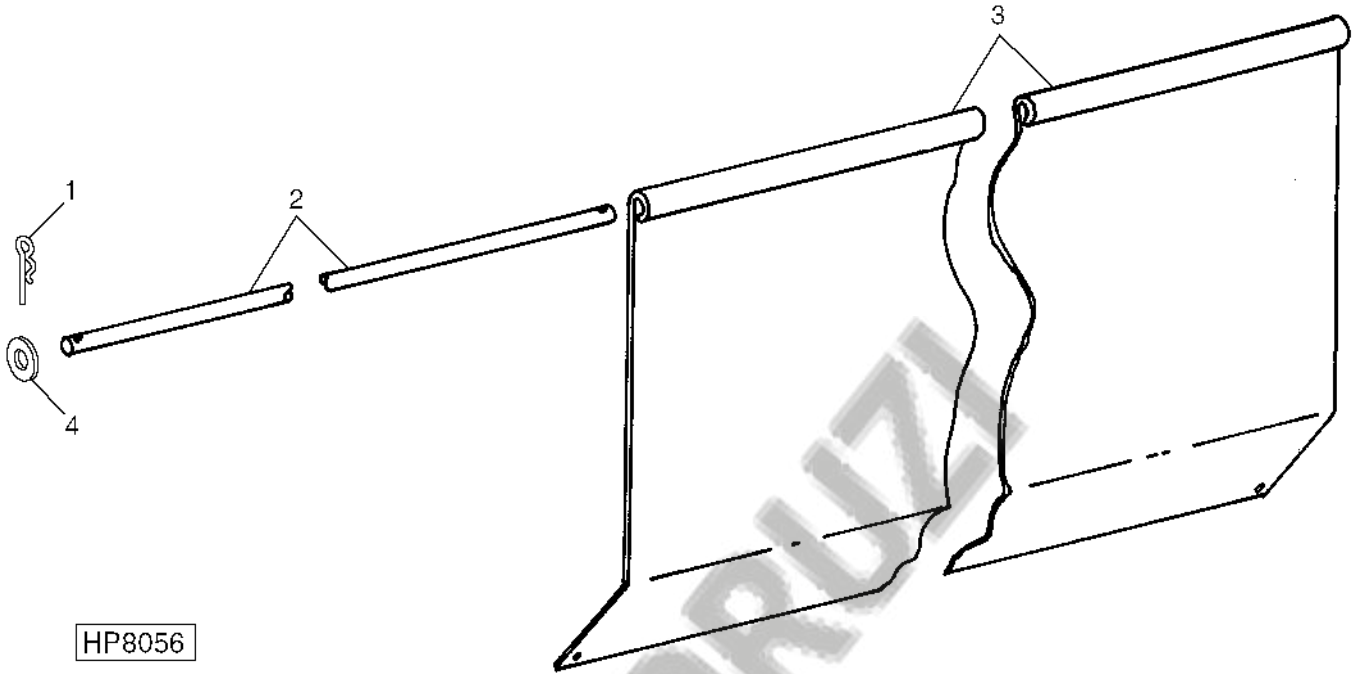


HP4626

8J9

**SEPARATOR CURTAIN
(SPIKE-TOOTH CYLINDER)**

HP8056 -UN-30NOV98

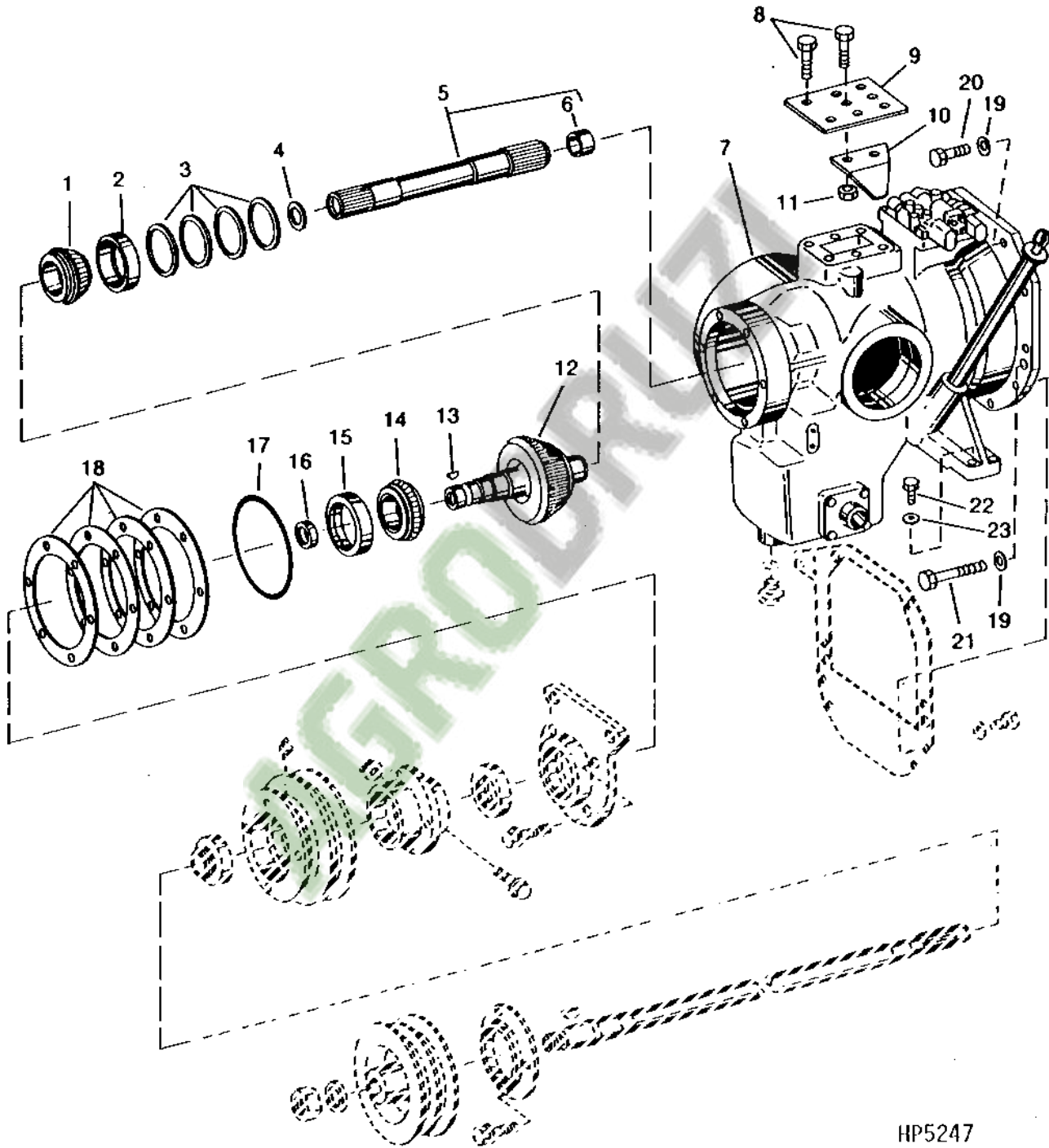


HP8056

KEY	PART NO.	PART NAME	QTY	SERIAL NO.	S H 9 5 0 0	REMARKS
1	A15147	SPRING LOCKING PIN	2		X	
2	H76863	PIN	1		X	9.525 X 1 426.464 MM
3	H145516	DEFLECTOR	1		X	STEEL; (FOR RICE AND GRAIN COMBINES)
4	T20217	WASHER	2		X	

9C4

ENGINE GEARCASE
(STRAW CHOPPER, UNLOADING AND SEPARATOR DRIVE GEAR)
HP5247 -UN-01JAN94

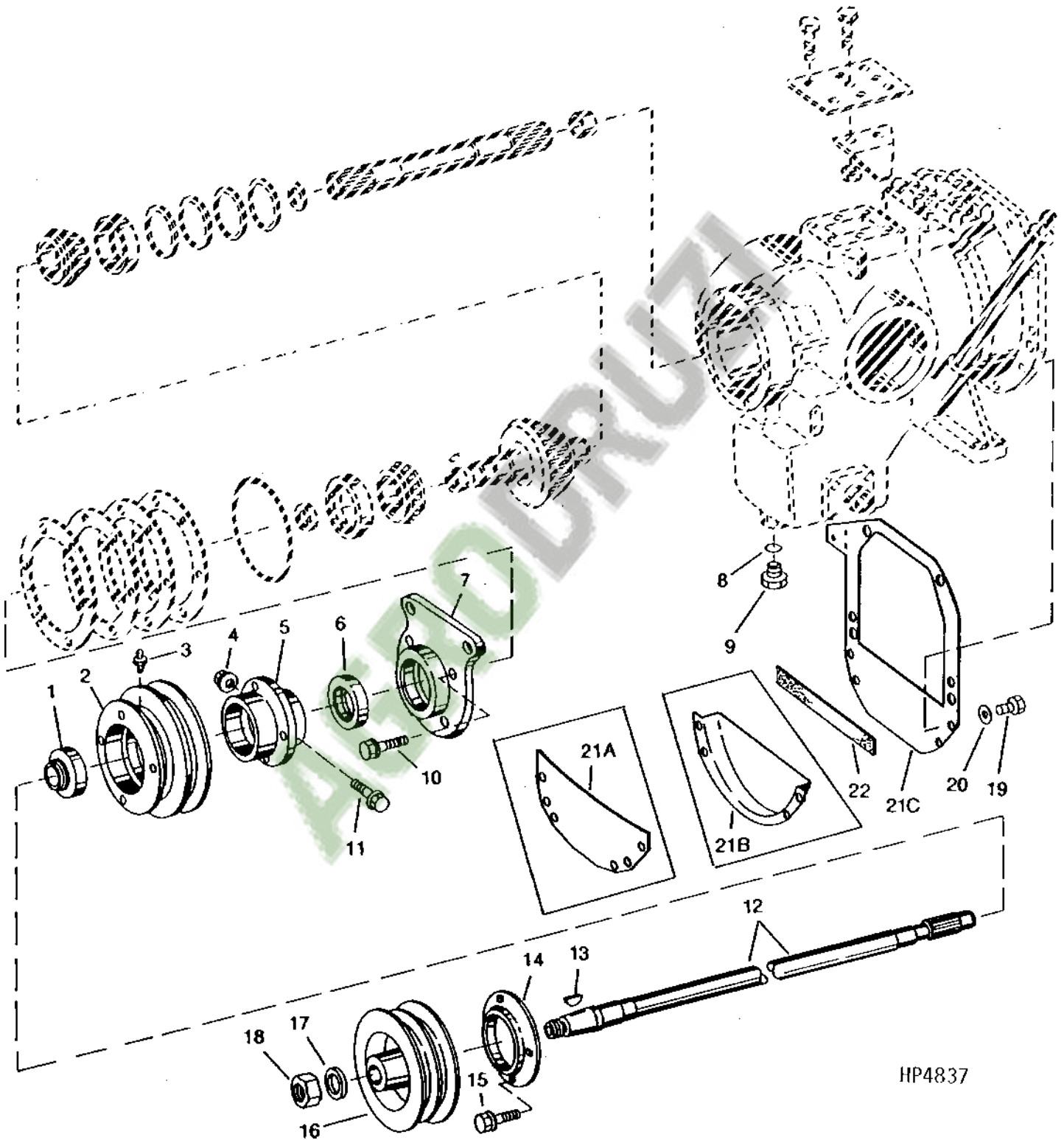


HP5247

9C6

DRIVES

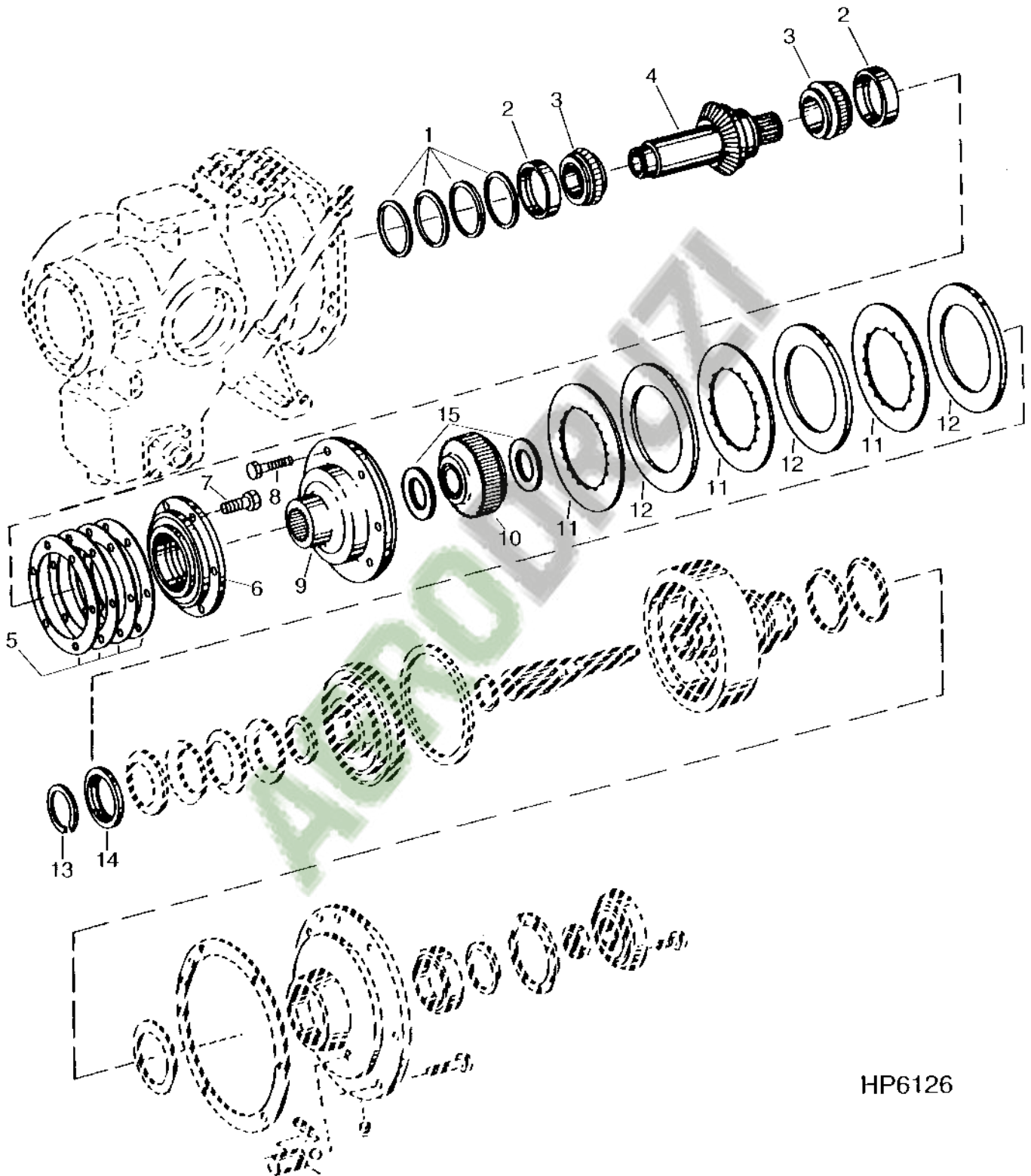
ENGINE GEARCASE
(STRAW CHOPPER, UNLOADING AND SEPARATOR DRIVE GEAR)
HP4837 -UN-01JAN94



9C8

DRIVES

ENGINE GEARCASE
(SEPARATOR DRIVE, WET-CLUTCH AND PUMP DRIVE SHAFT)
HP6126 -UN-25AUG95



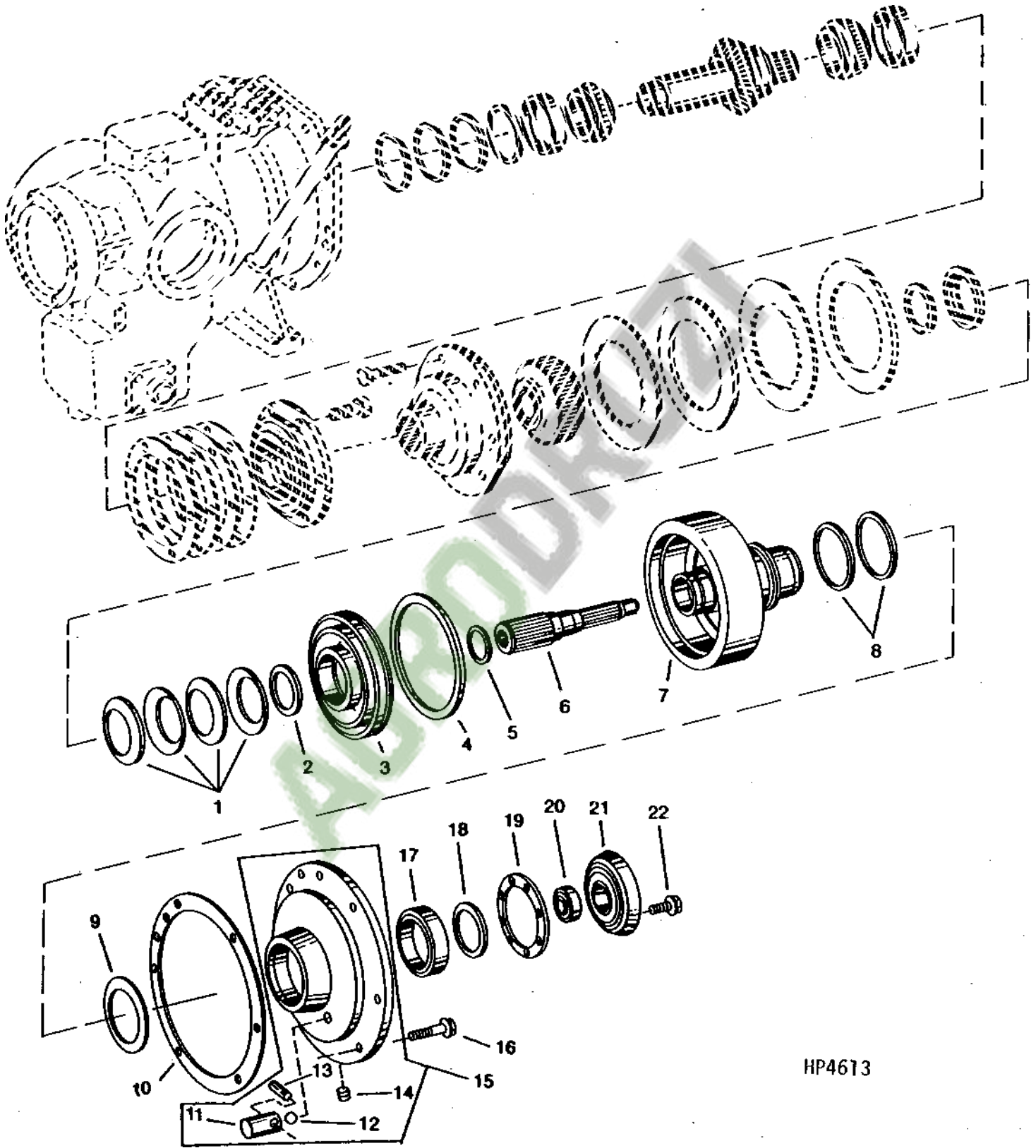
HP6126

587

9C10

DRIVES

ENGINE GEARCASE
HP4613 -UN-01JAN94

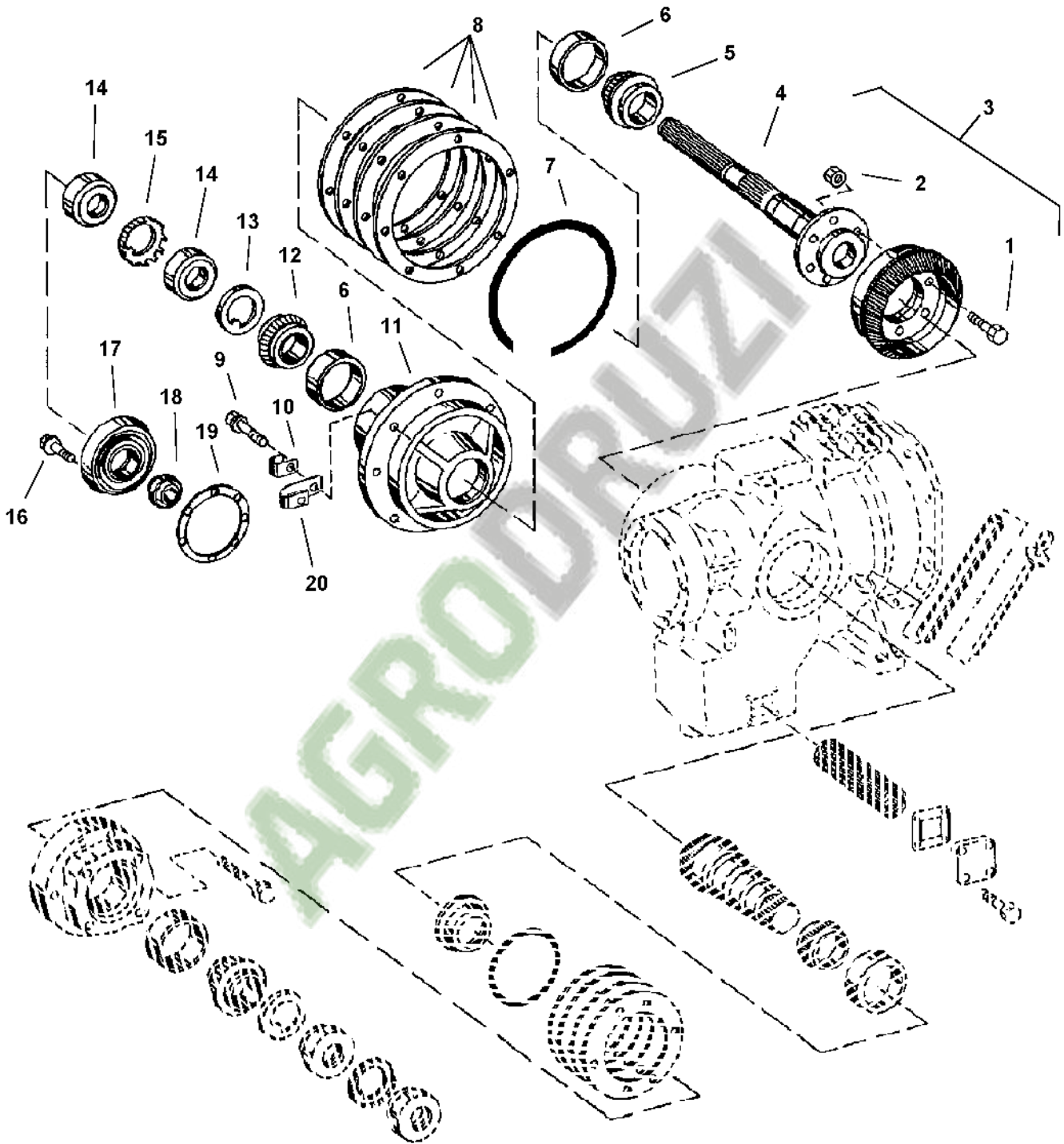


HP4613

588

9C12

ENGINE GEARCASE
(SEPARATOR AND PUMP DRIVE)
HP7244 -UN-07NOV97



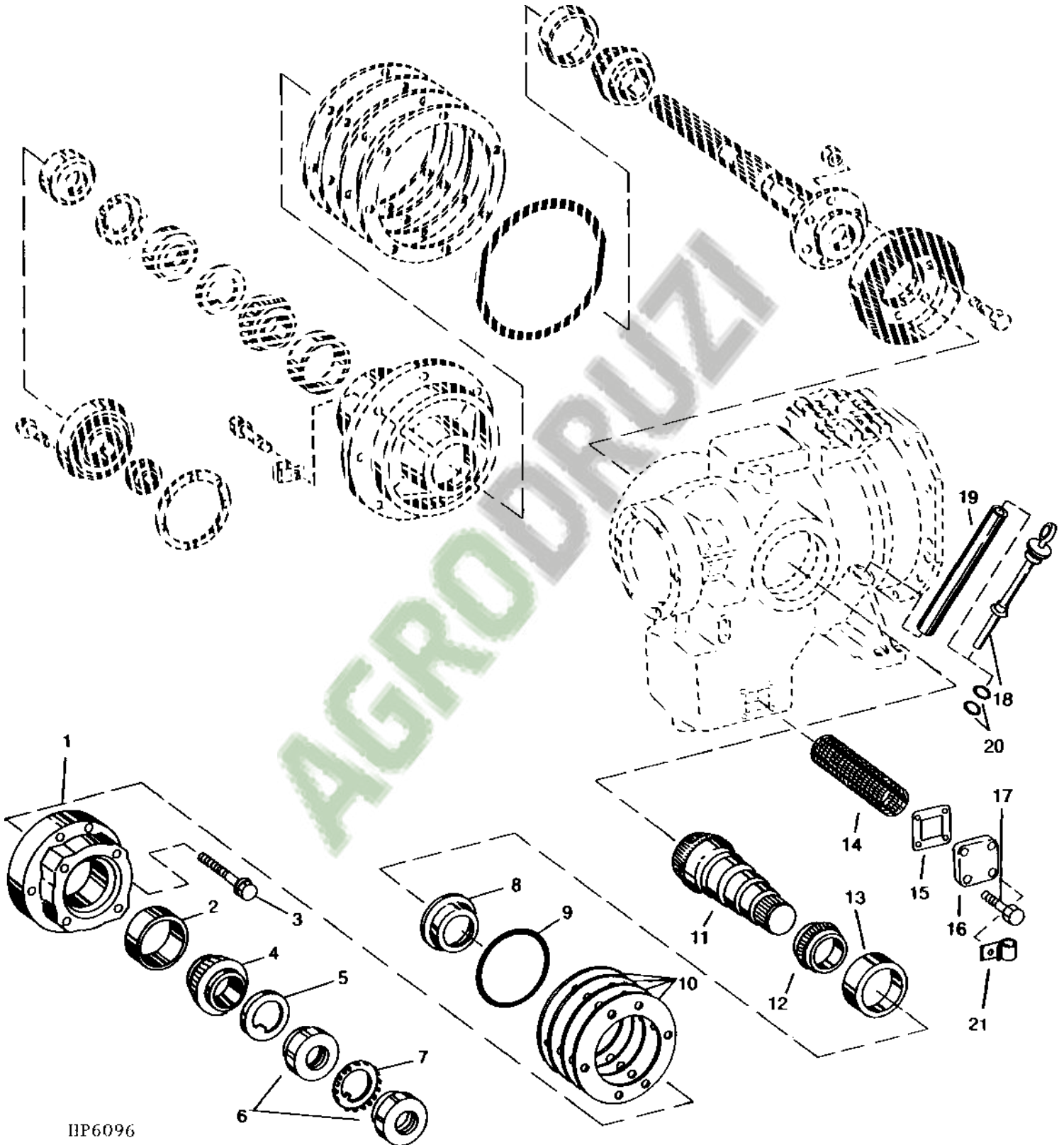
HP7244

589

9C14

DRIVES

ENGINE GEARCASE
(SEPARATOR AND PUMP DRIVE)
HP6096 -UN-28JUN95



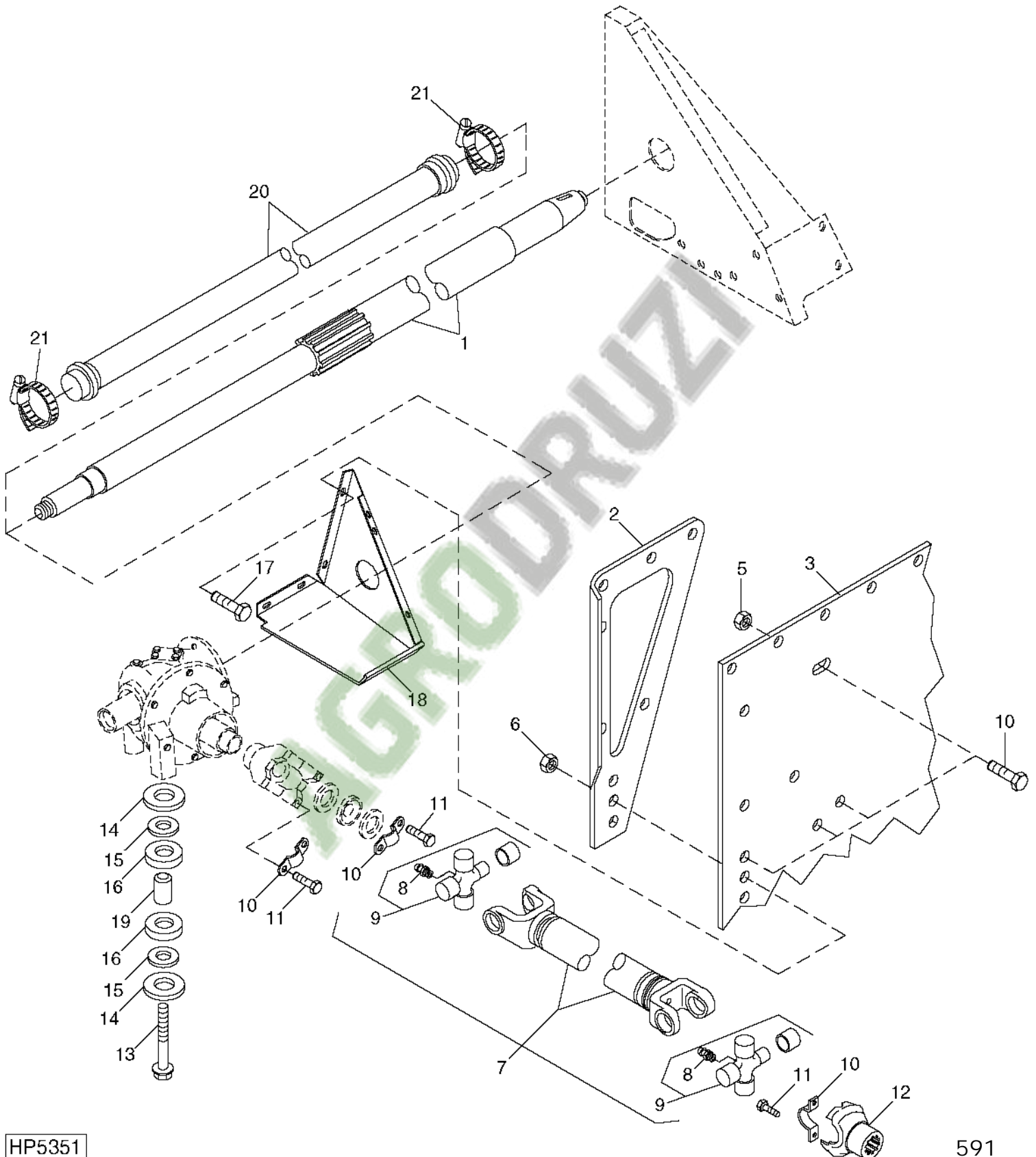
HP6096

590

9C16

DRIVES

DRIVE SHAFT, GEARCASE MOUNTING AND PRIMARY COUNTERSHAFT
HP5351 -UN-17AUG99



HP5351

591

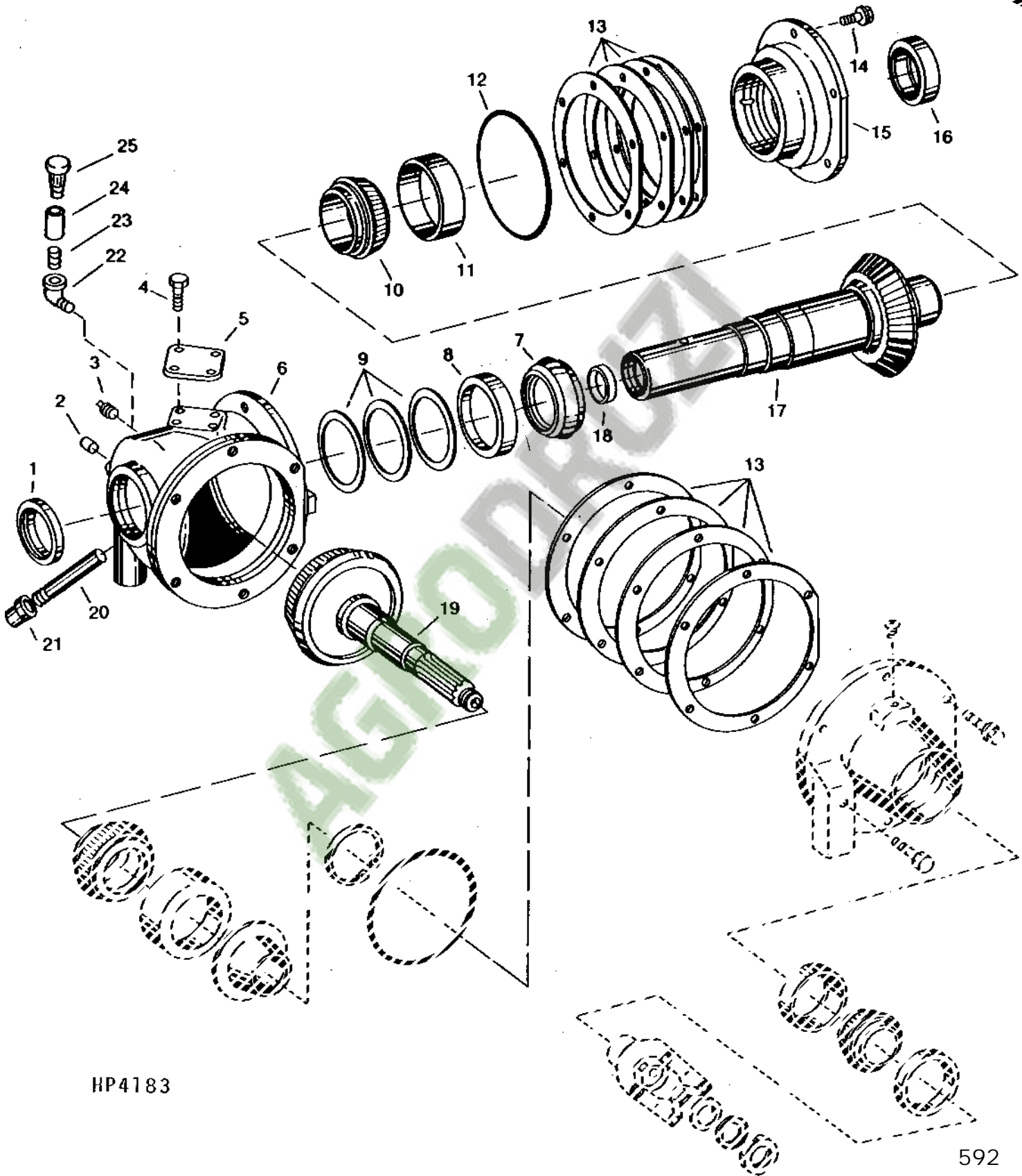
9C18

DRIVES

PRIMARY COUNTERSHAFT GEARCASE

(-640200)

HP4183 -UN-01JAN94



HP4183

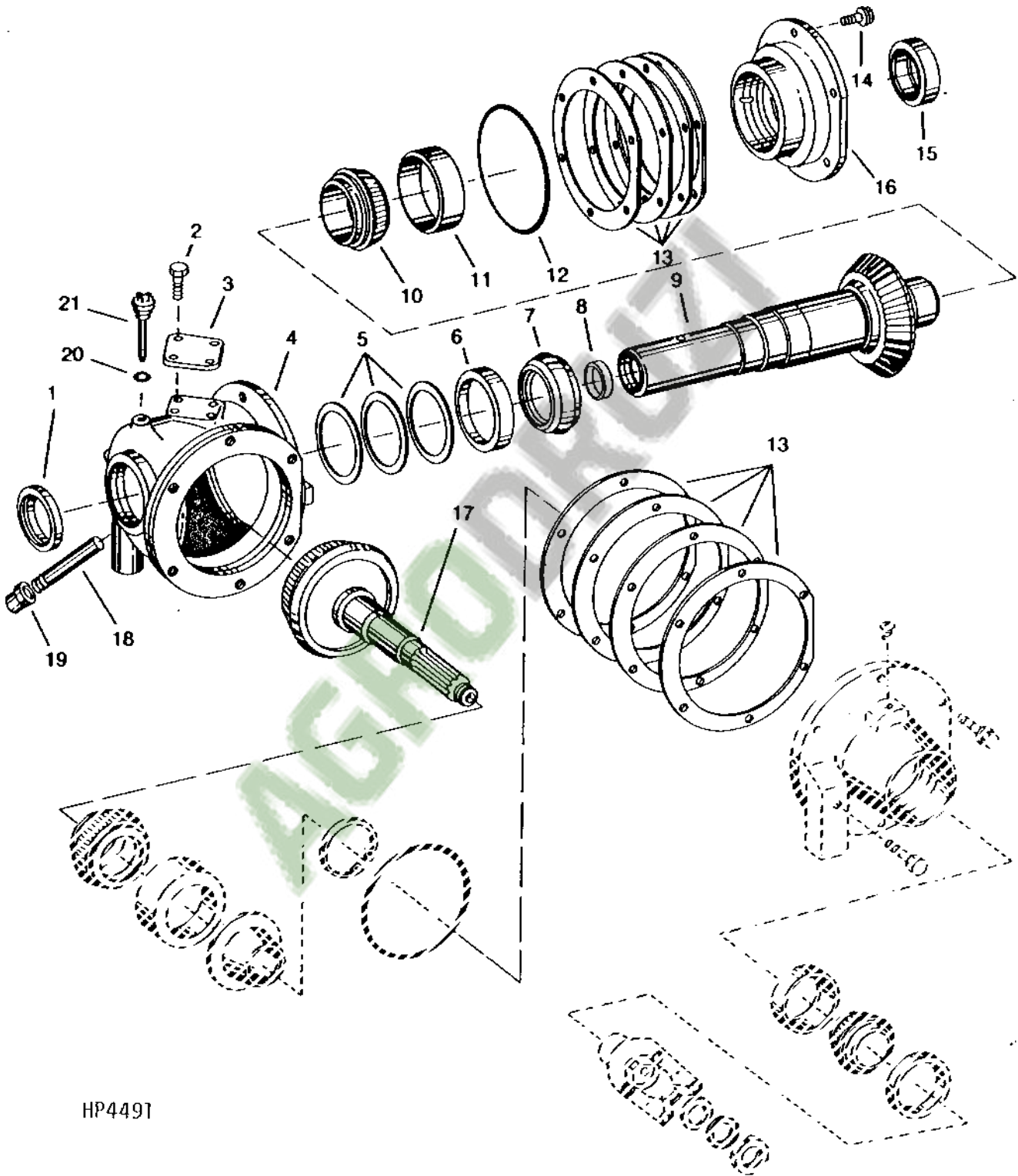
592

9C20

DRIVES

PRIMARY COUNTERSHAFT GEARCASE

(640201-)
HP4491 -UN-01JAN94



HP4491

593

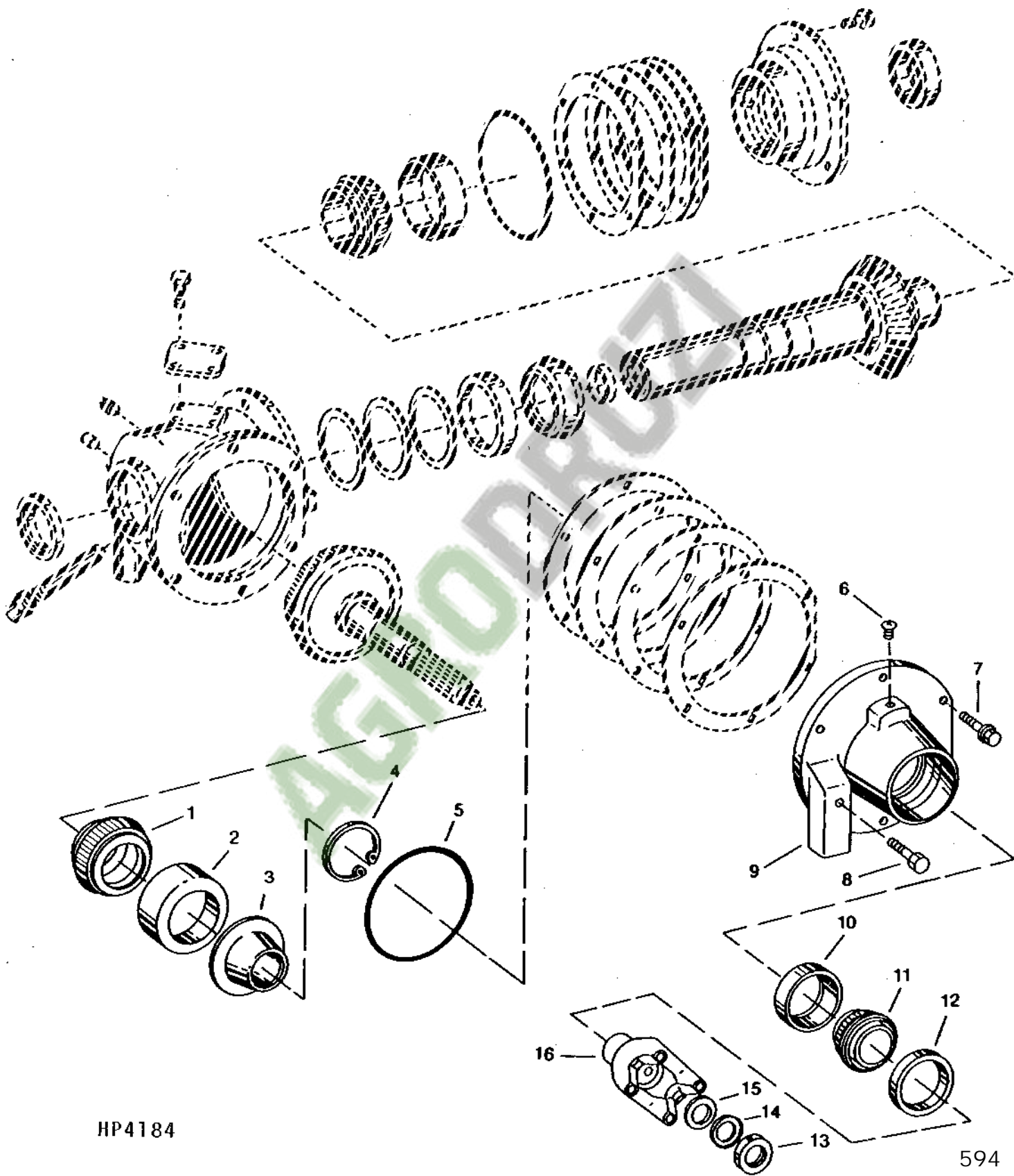
9C22

DRIVES

PRIMARY COUNTERSHAFT GEARCASE

(-640200)

HP4184 -UN-01JAN94



HP4184

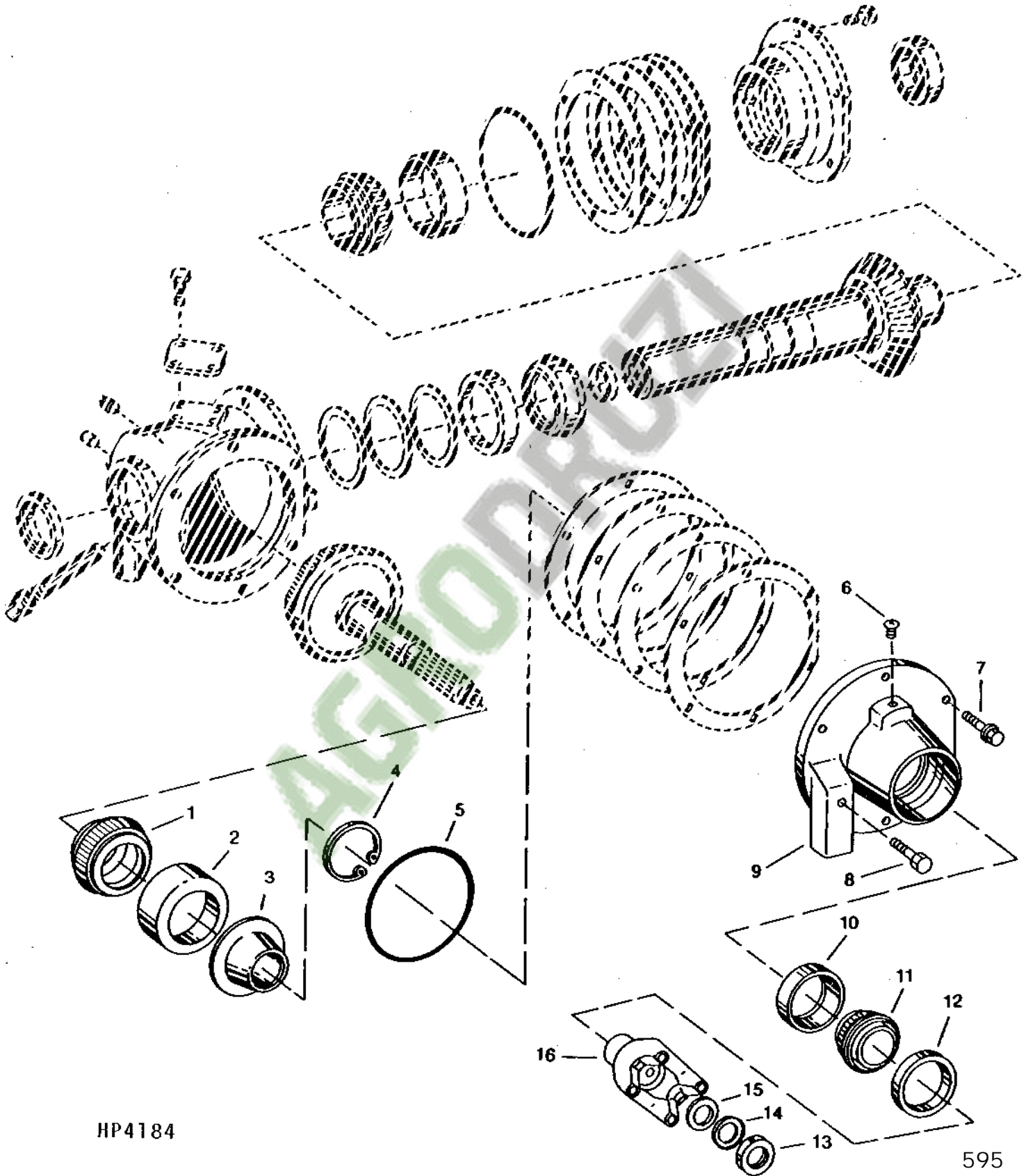
594

9C24

DRIVES

PRIMARY COUNTERSHAFT GEARCASE

(640201-)
HP4184 -UN-01JAN94



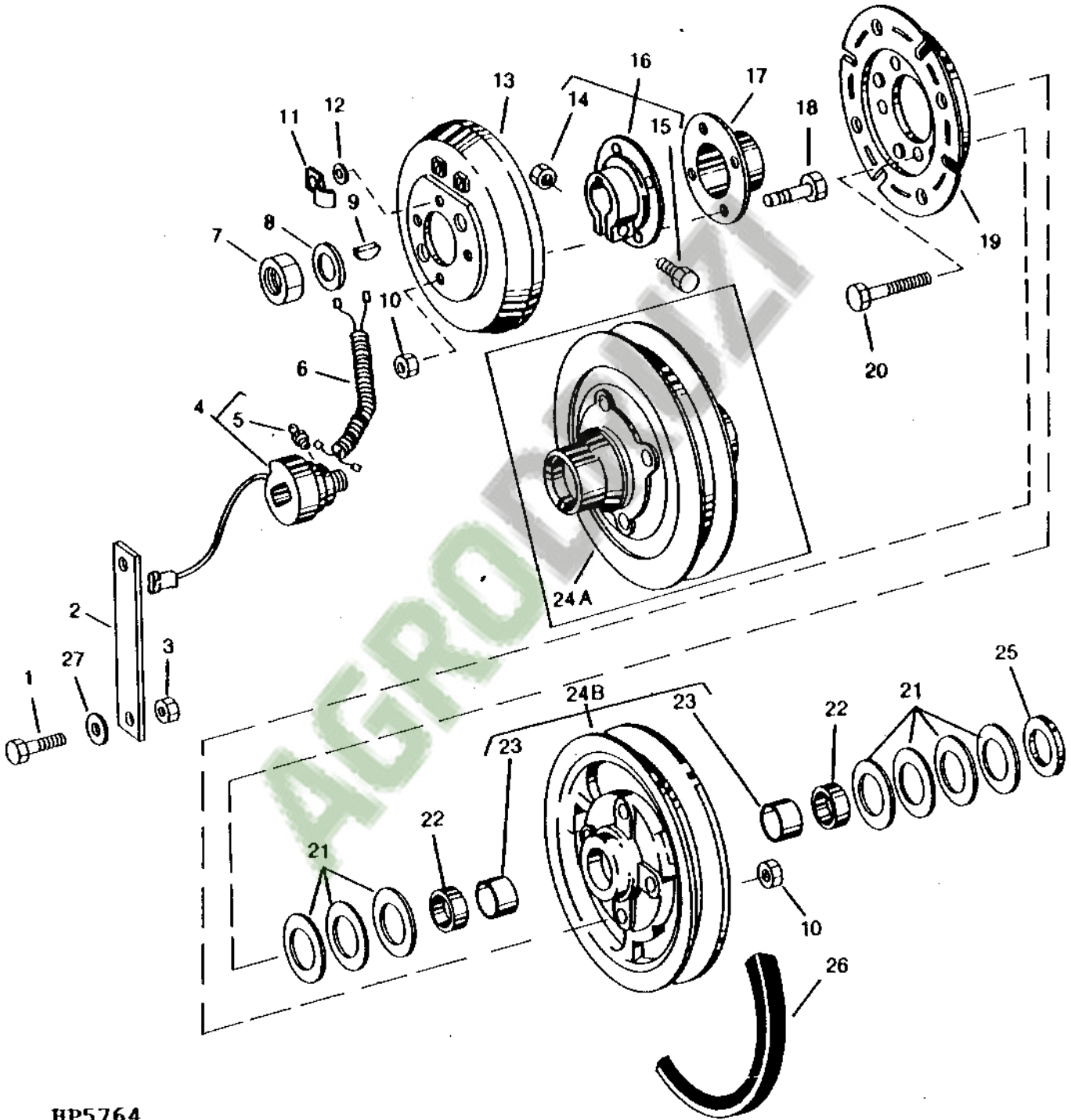
HP4184

595

9D1

HEADER ELECTROMAGNETIC CLUTCH

HP5764 -UN-01JAN94

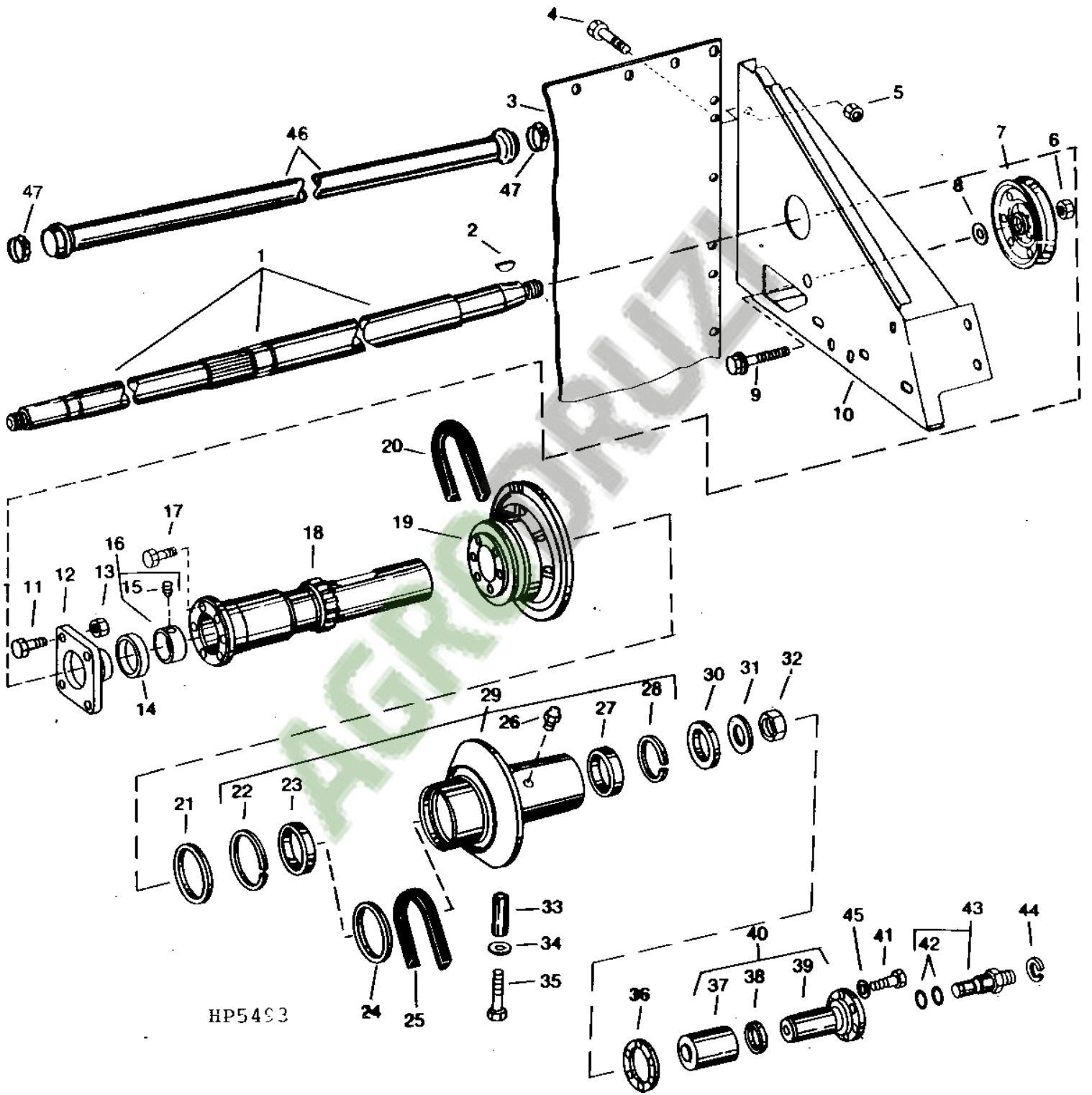


HP5764

9D3

DRIVES

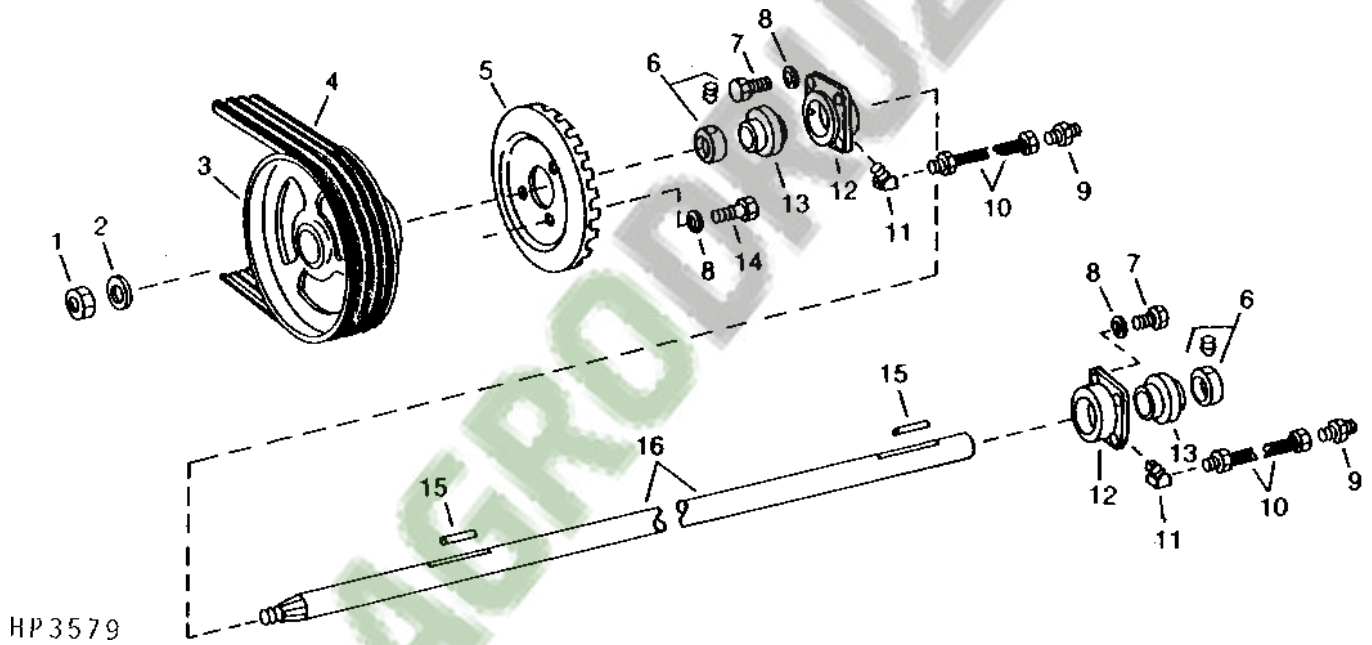
PRIMARY COUNTERSHAFT, SUPPORTS AND VARIABLE SHEAVE
HP5493 -UN-01JAN94



HP5493

9D5

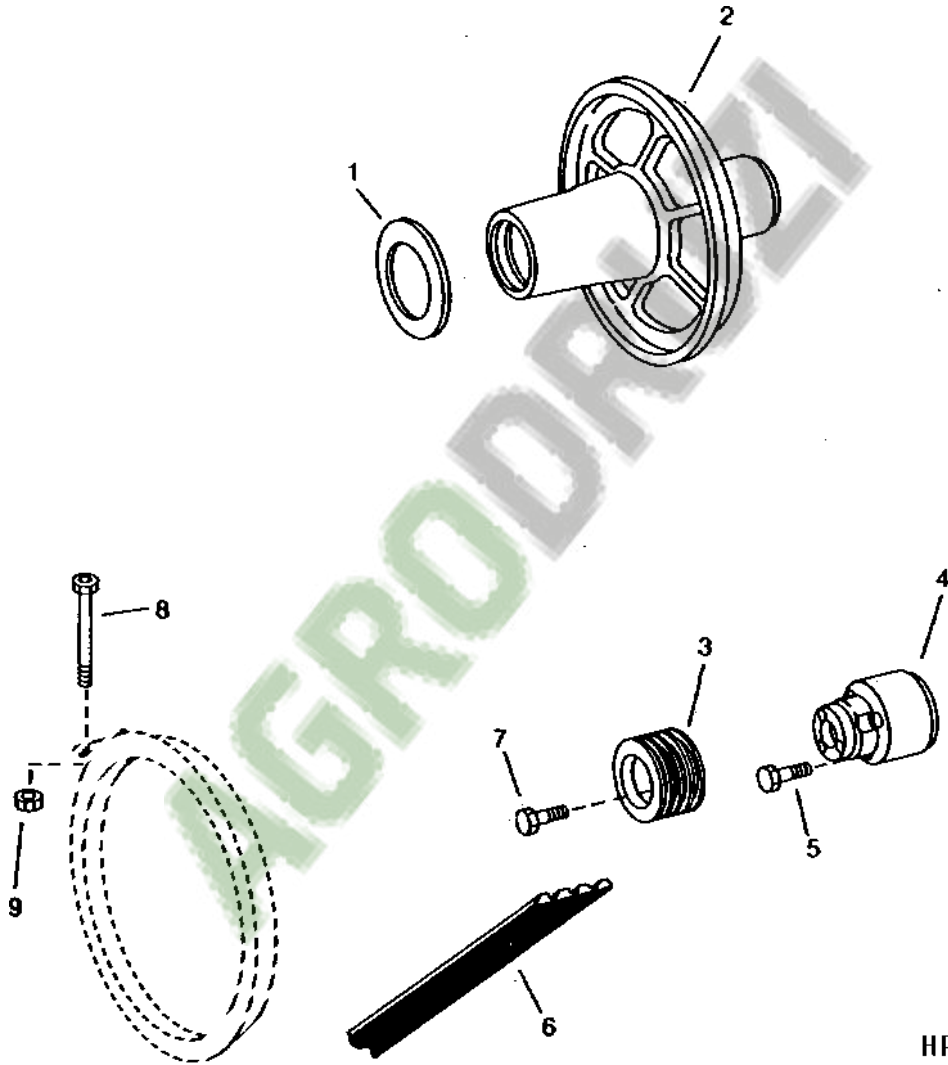
SINGLE RANGE CYLINDER DRIVE
HP3579 -UN-01JAN94



HP3579

9D7

SLOW SPEED CYLINDER DRIVE
HP3983 -UN-01JAN94

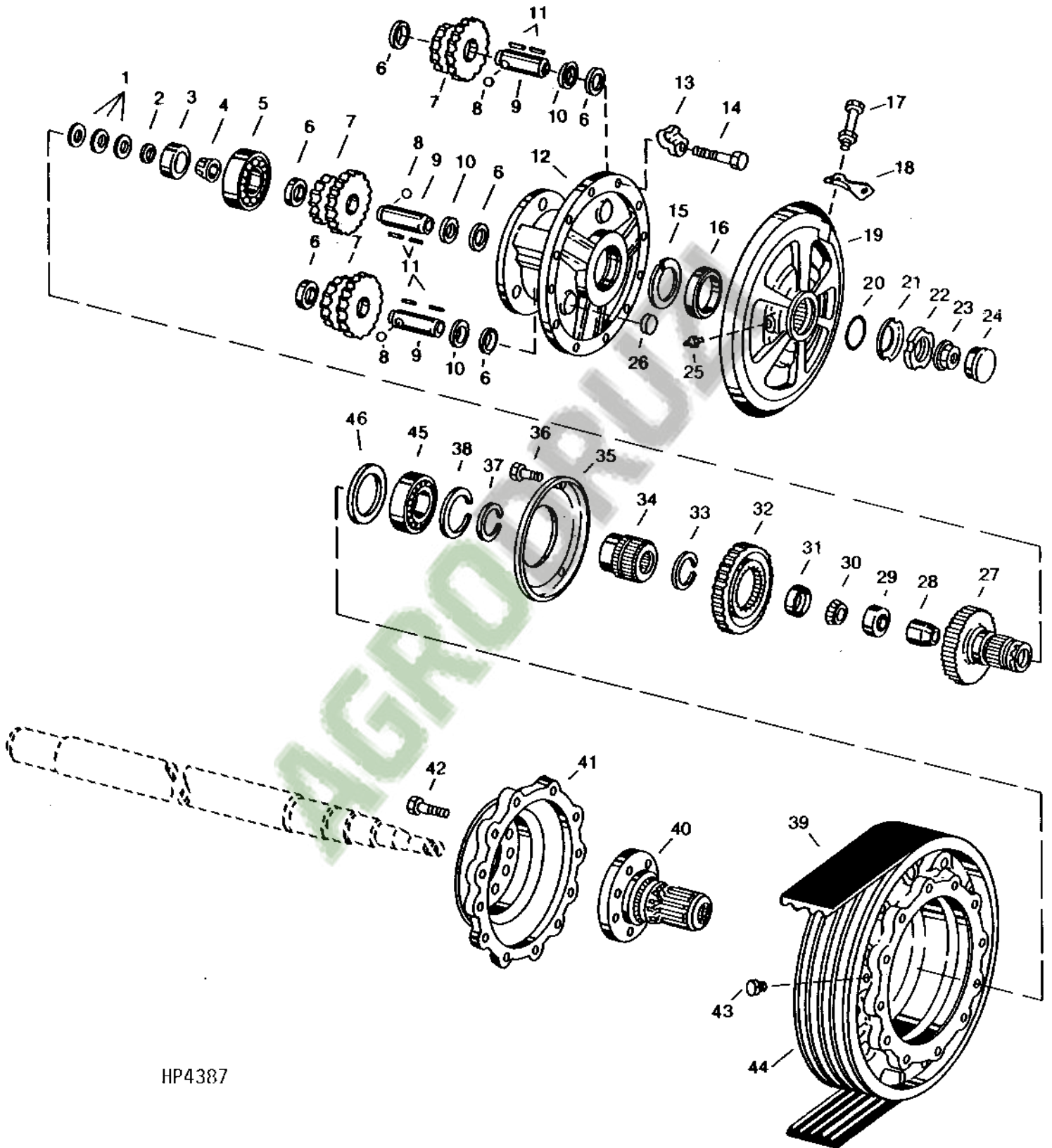


HP3983

9D9

DRIVES

DUAL-RANGE CYLINDER DRIVE GEAR CASE
HP4387 -UN-01JAN94



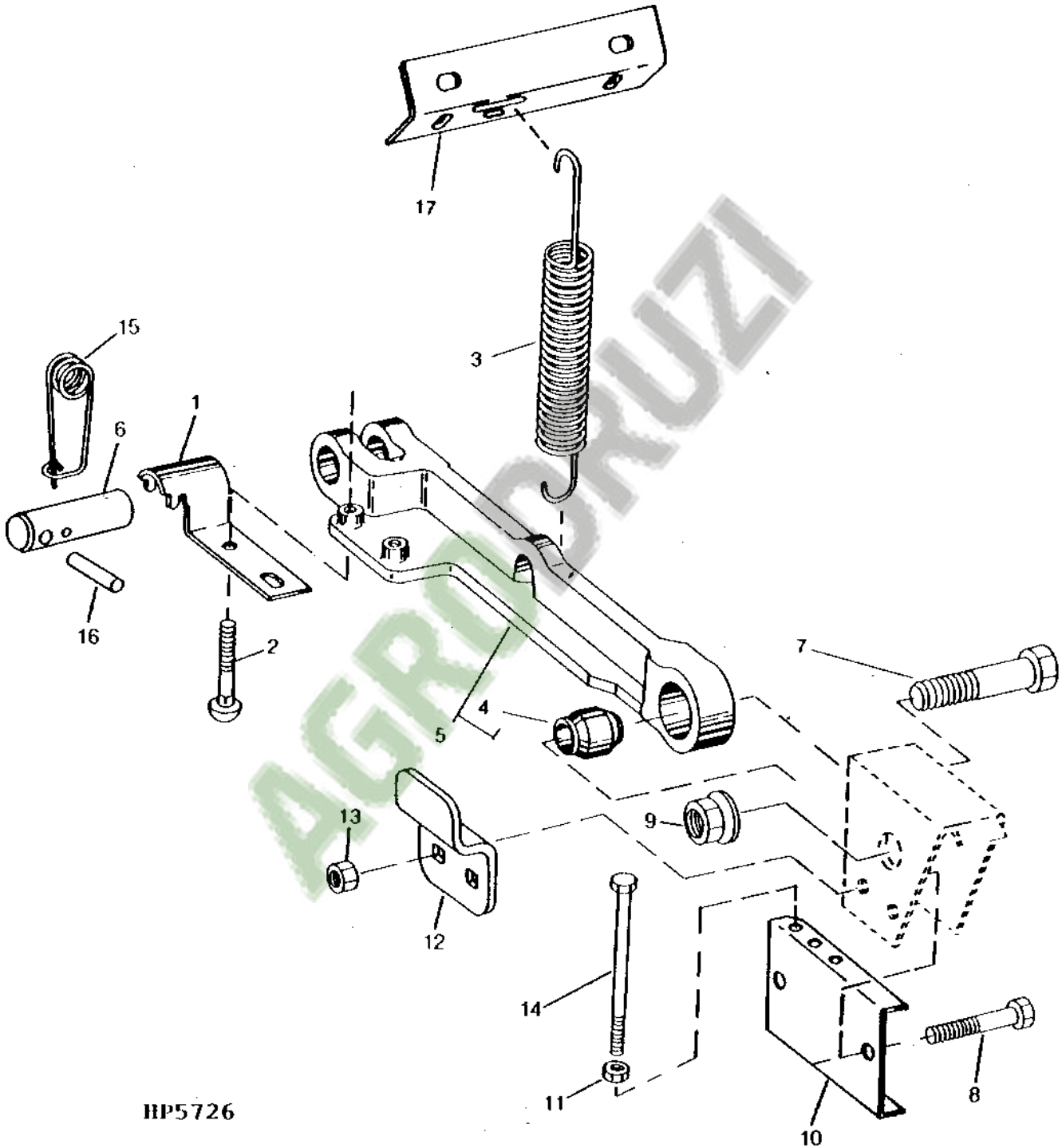
HP4387

600

9D11

DRIVES

DUAL-RANGE LOCKOUT ARM
HP5726 -UN-01JAN94



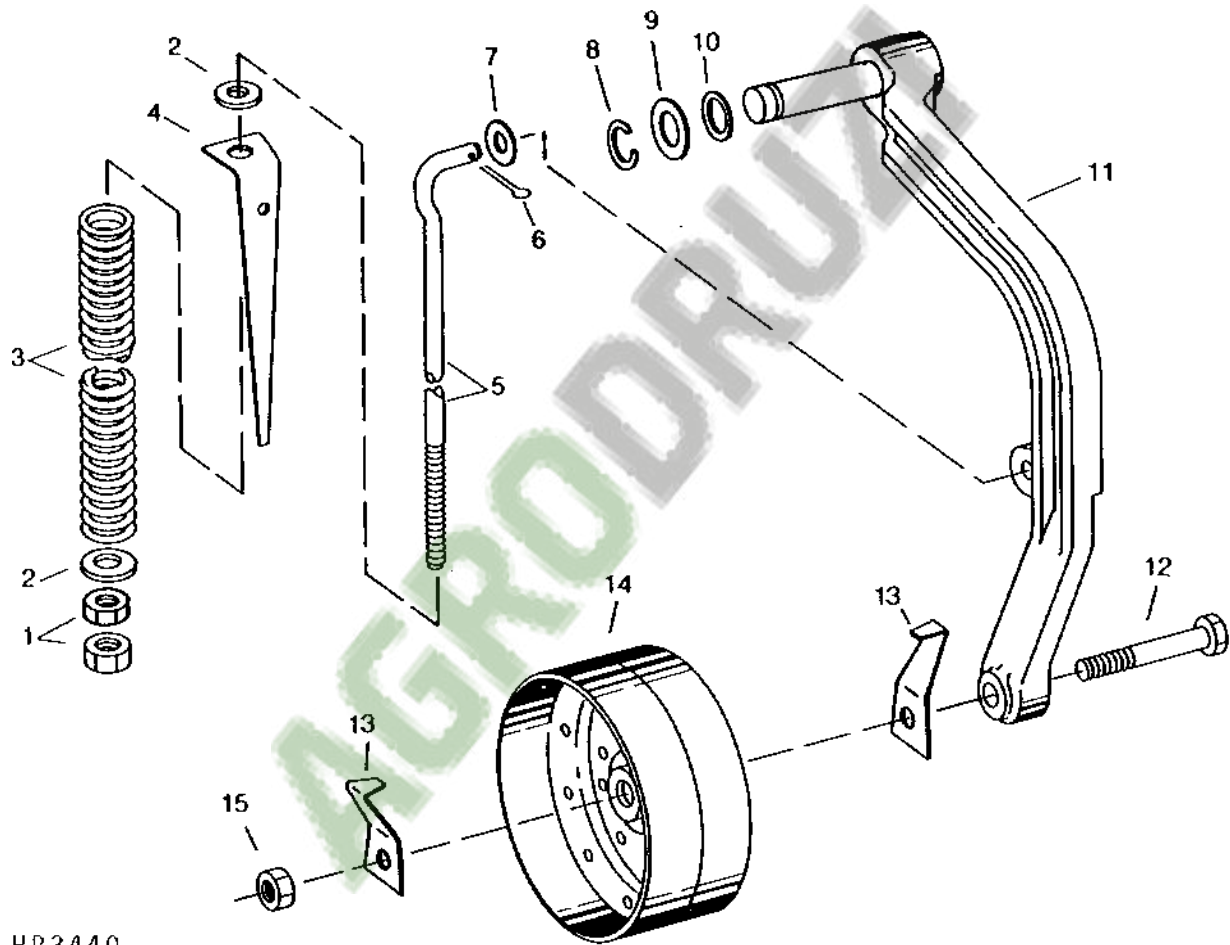
HP5726

601

9D13

DUAL-RANGE CYLINDER DRIVE TIGHTENER

HP3440 -UN-01JAN94



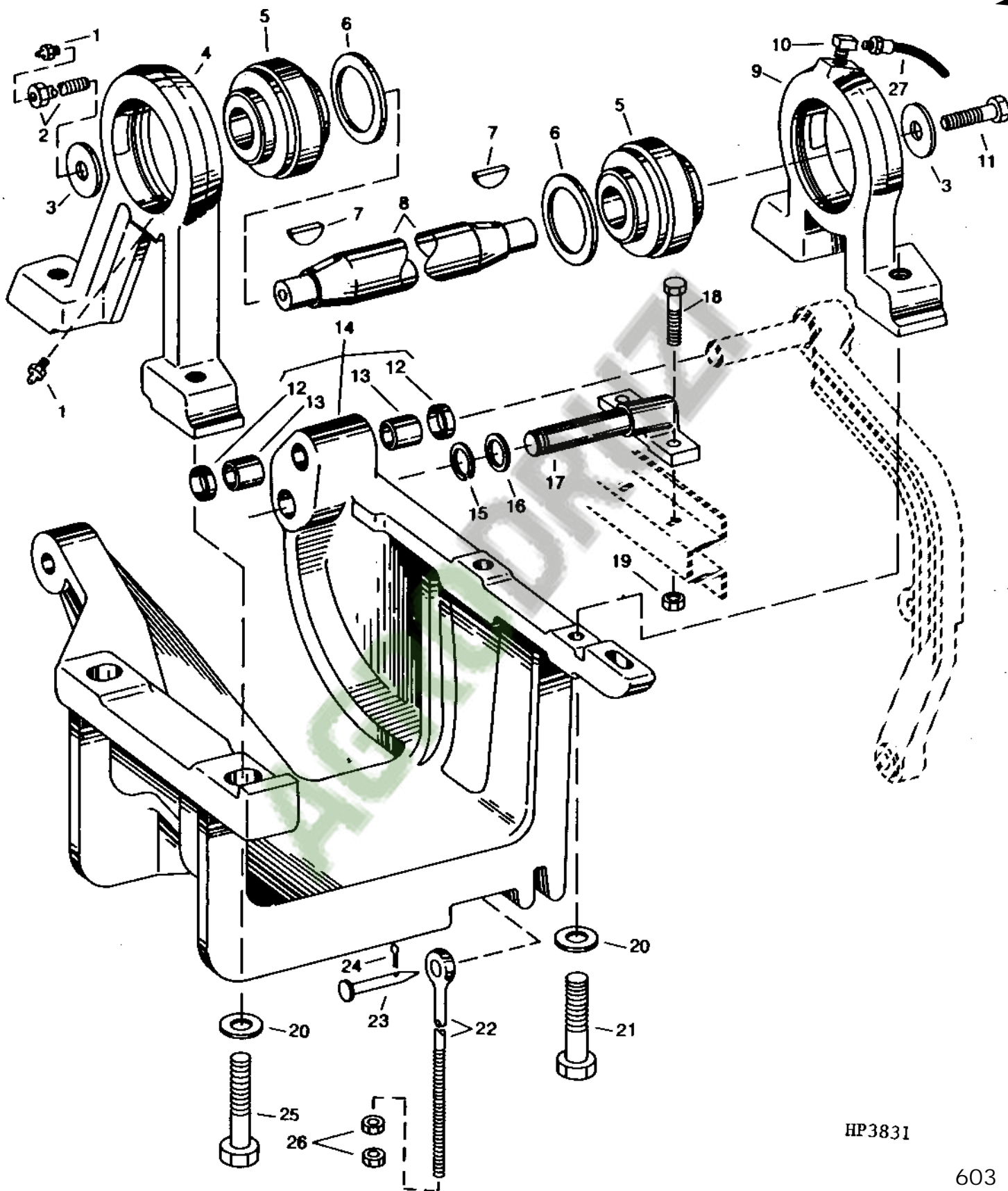
HP 3440

9D15

DRIVES

DUAL-RANGE CYLINDER DRIVE INTERMEDIATE SHAFT MOUNTING

HP3831 -UN-01JAN94



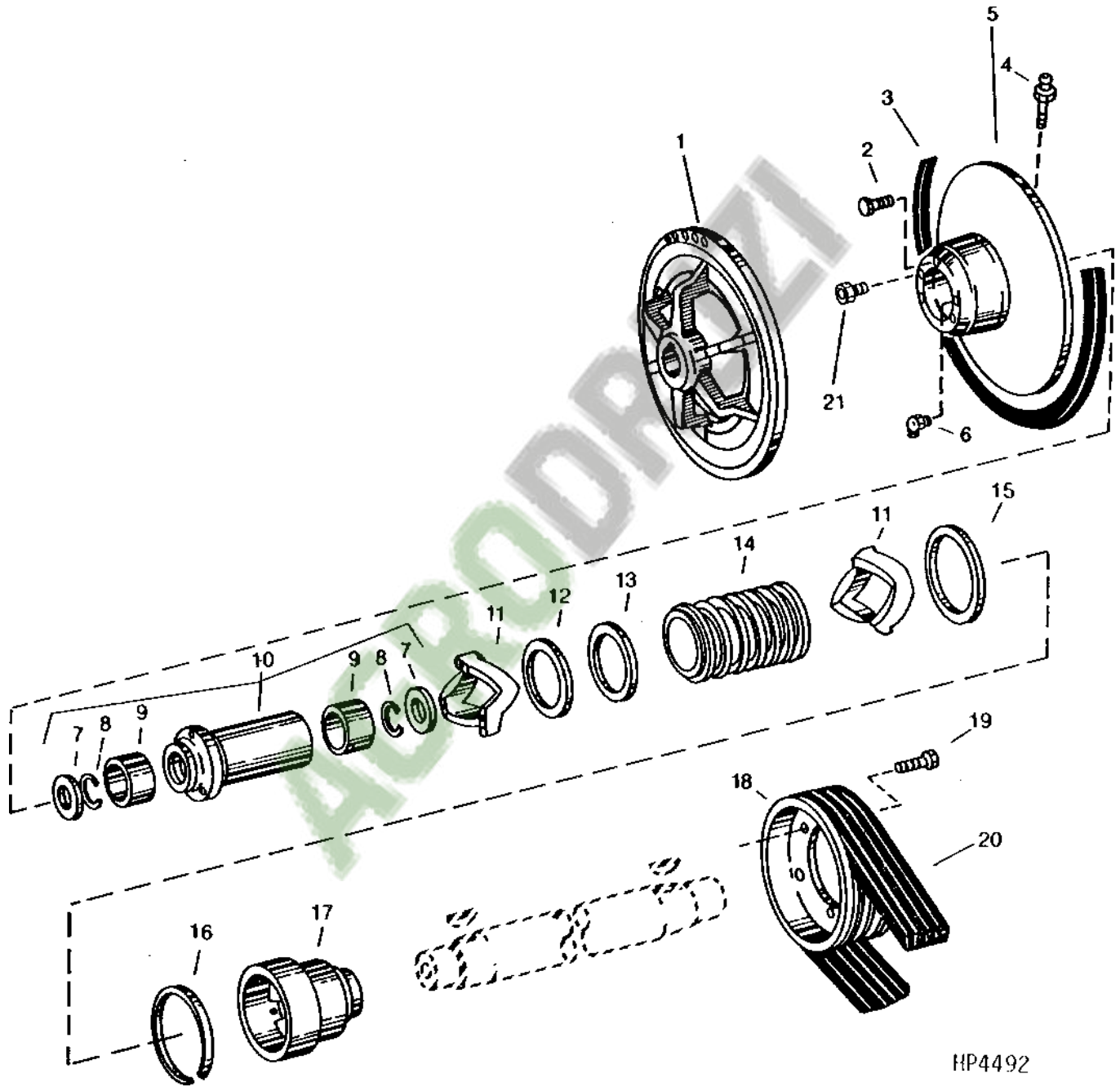
HP3831

603

9D17

DRIVES

DUAL-RANGE CYLINDER DRIVE INTERMEDIATE SHEAVE
HP4492 -UN-01JAN94

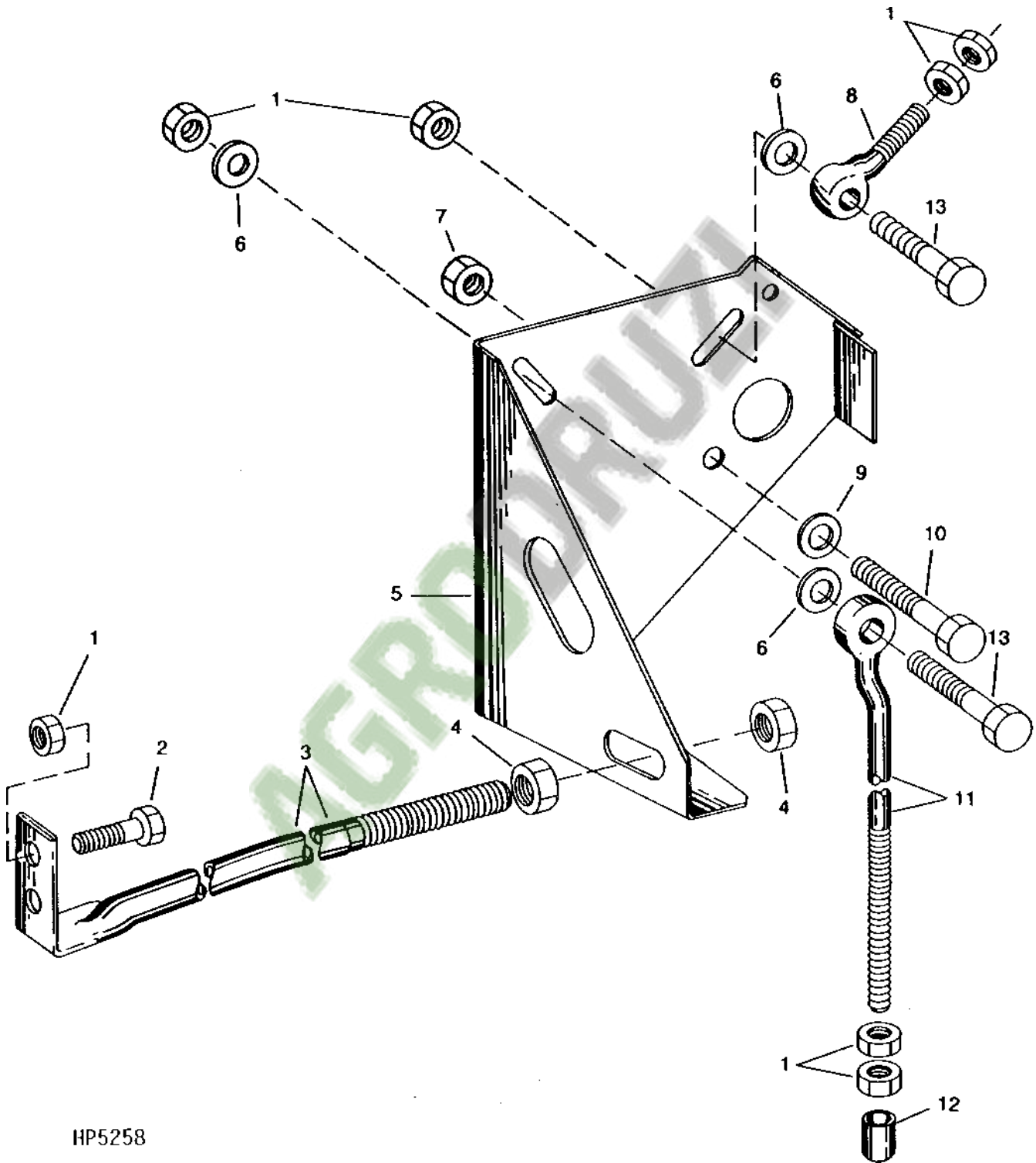


HP4492

9D19

DRIVES

DUAL-RANGE CYLINDER DRIVE ADJUSTING BRACKET
HP5258 -UN-01JAN94

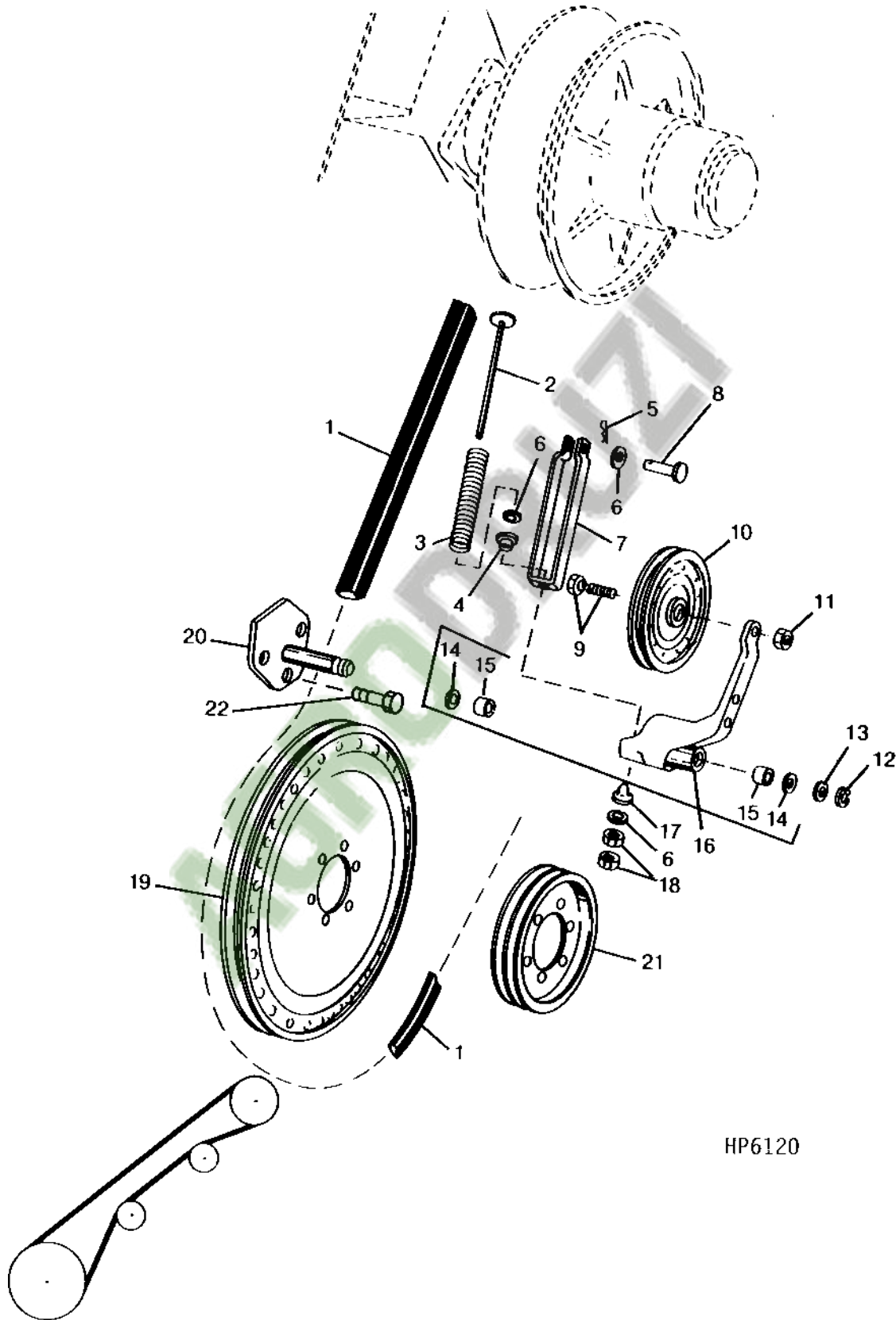


HP5258

605

9D21

SECONDARY COUNTERSHAFT DRIVE
HP6120 -UN-21JUL95

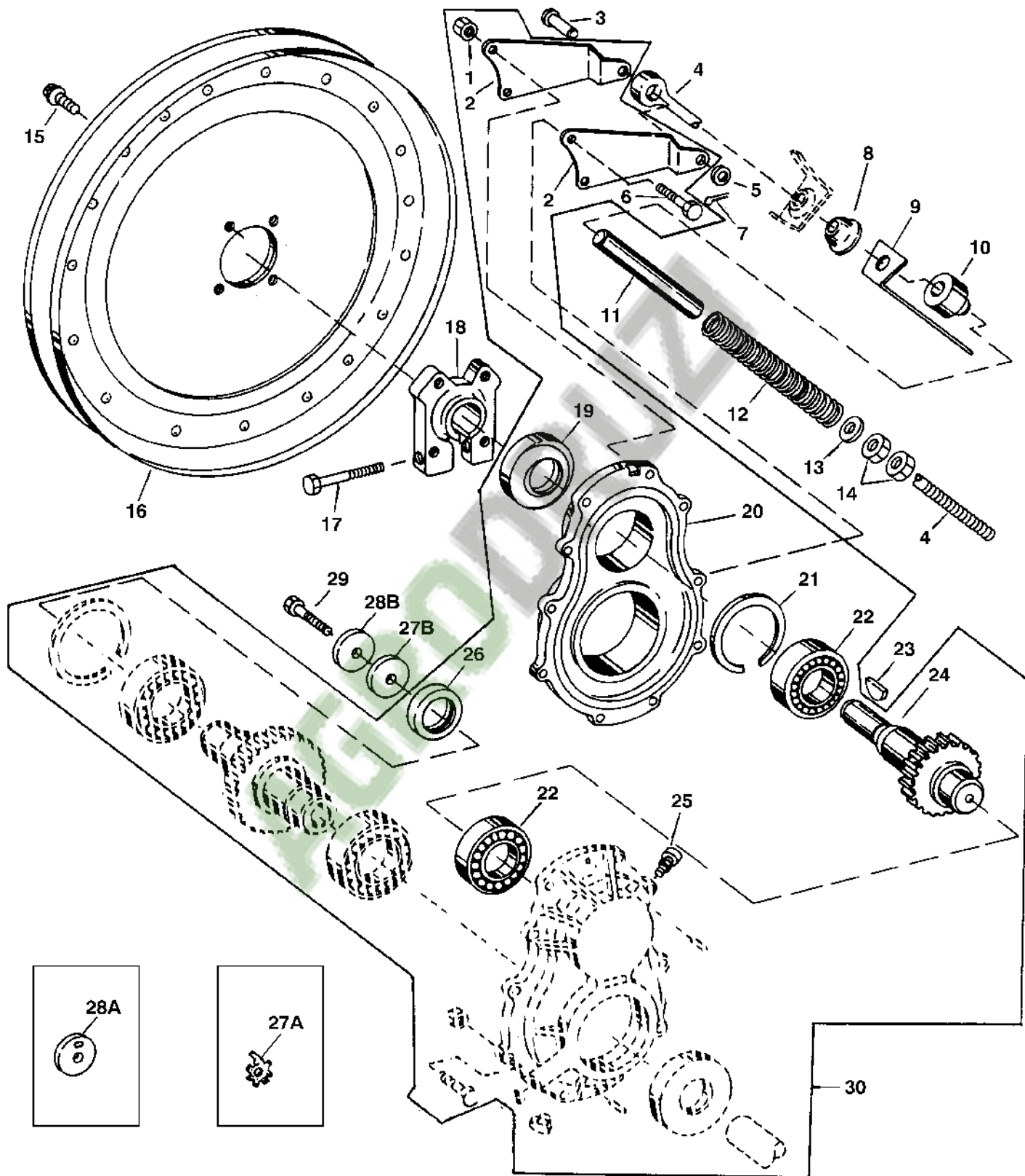


HP6120

9D23

DRIVES

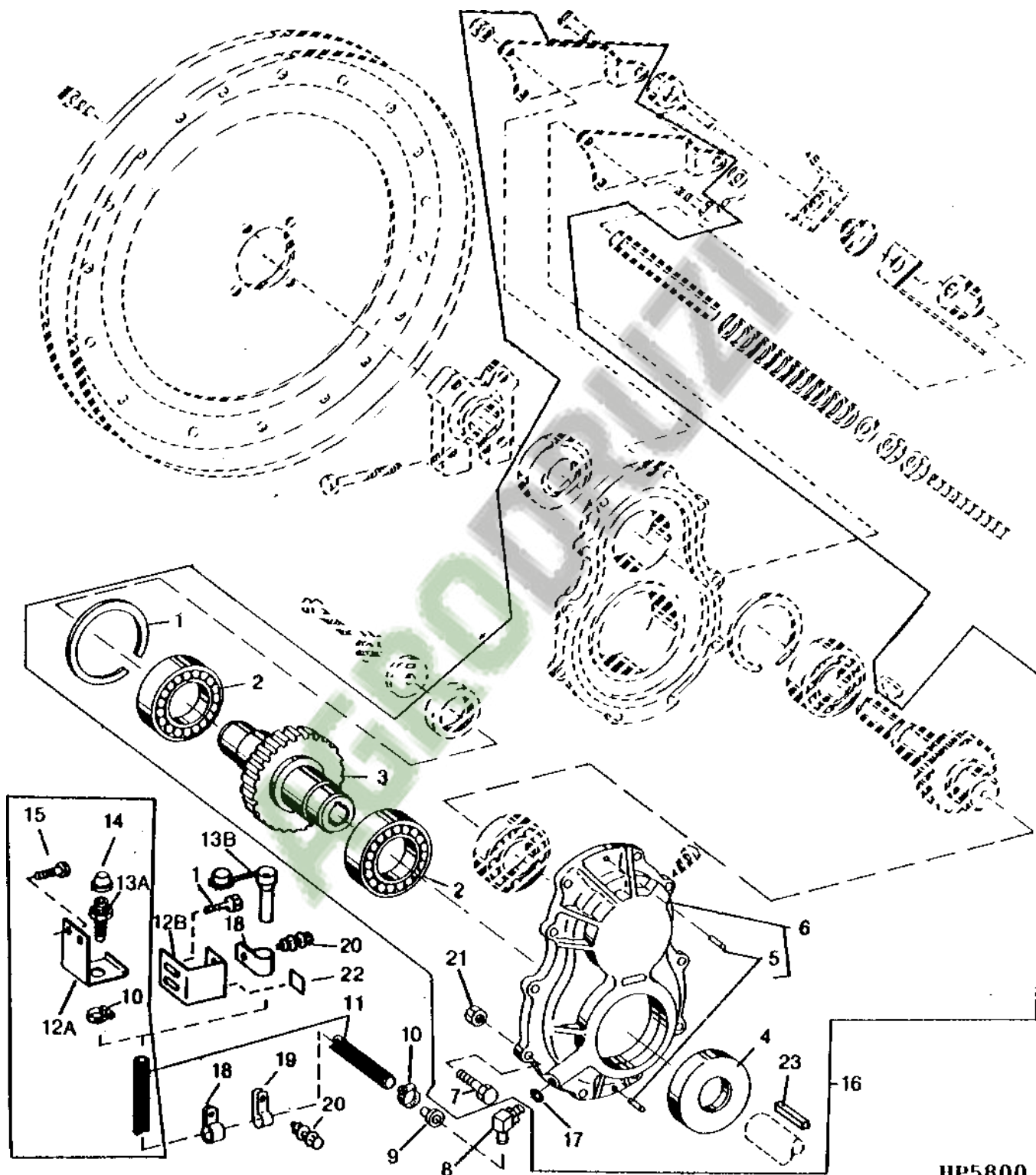
STRAW WALKER DRIVE GEARCASE
HP6646 -UN-11FEB97



HP6646

607

STRAW WALKER DRIVE GEARCASE
HP5800 -UN-01JAN94

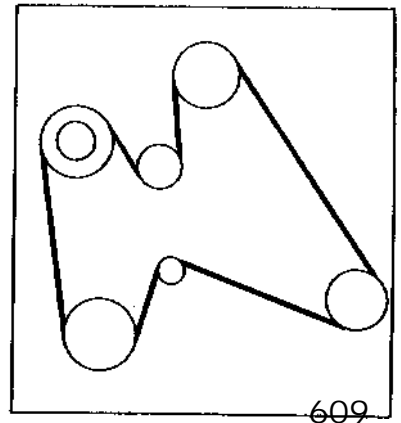
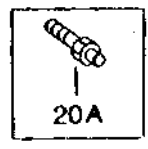
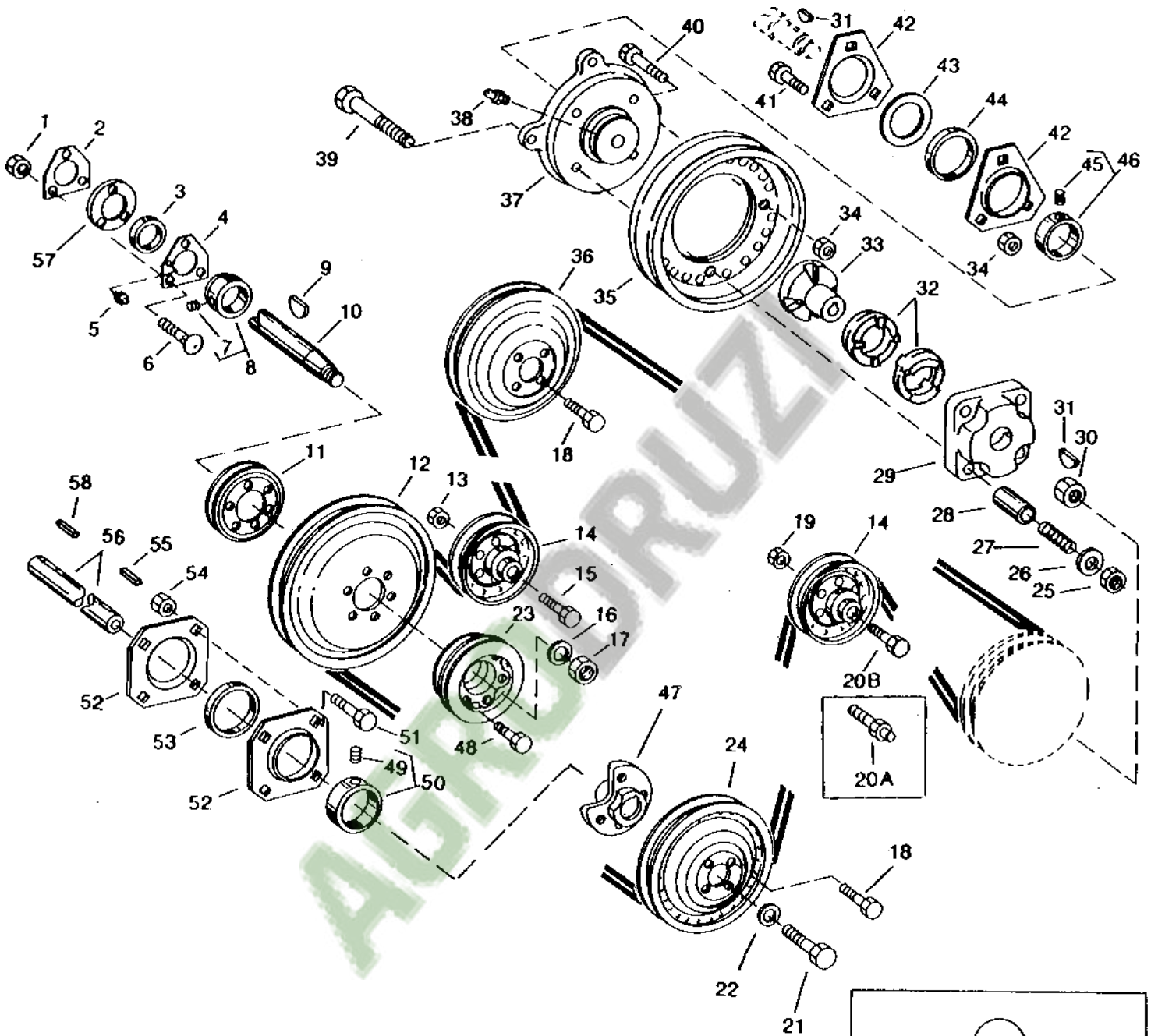


HP5800

9E3

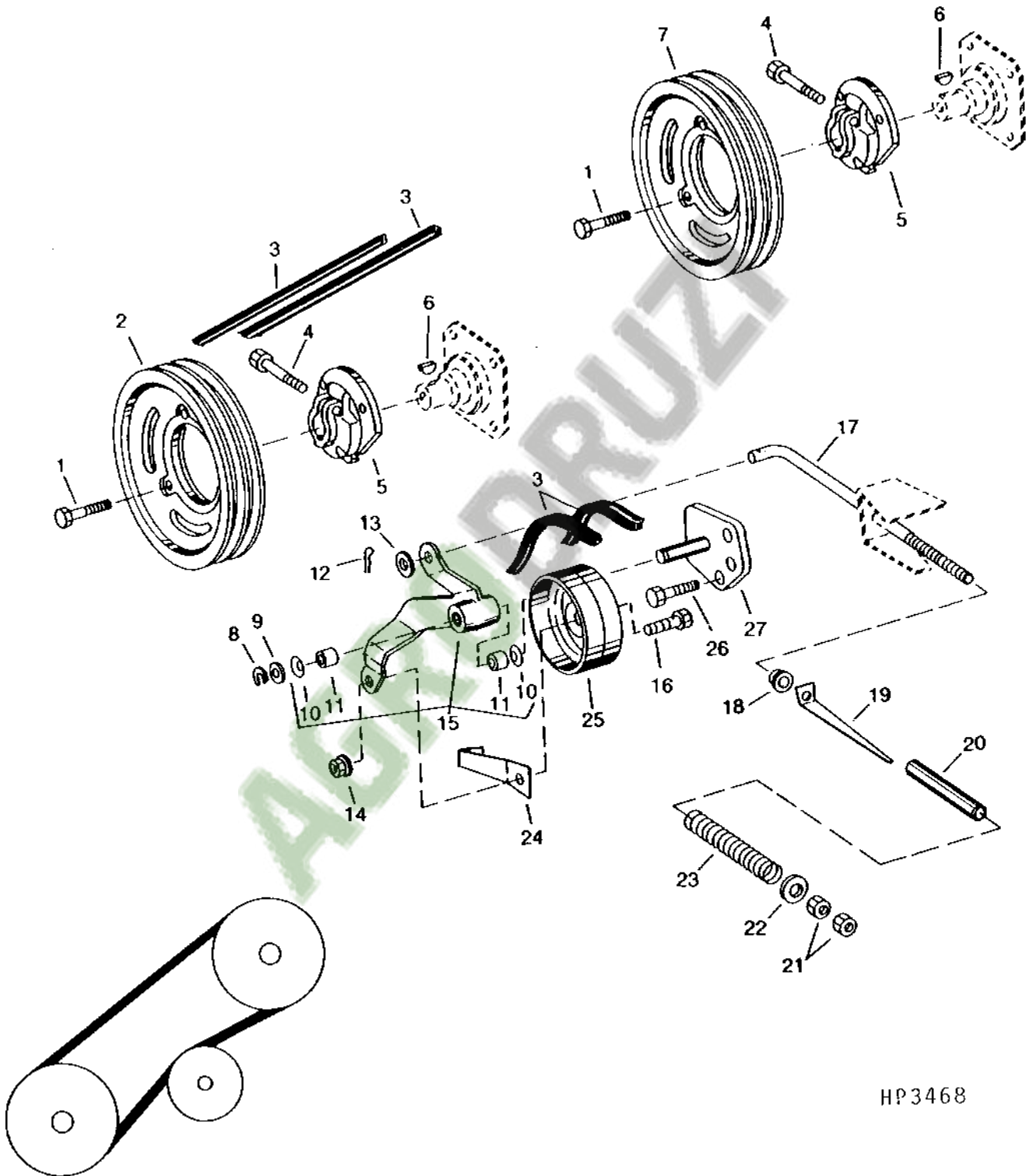
DRIVES

STRAW WALKER, CONVEYOR AUGERS, SIEVE AND CHAFFER DRIVE
HP4591 -UN-01JAN94



HP4591

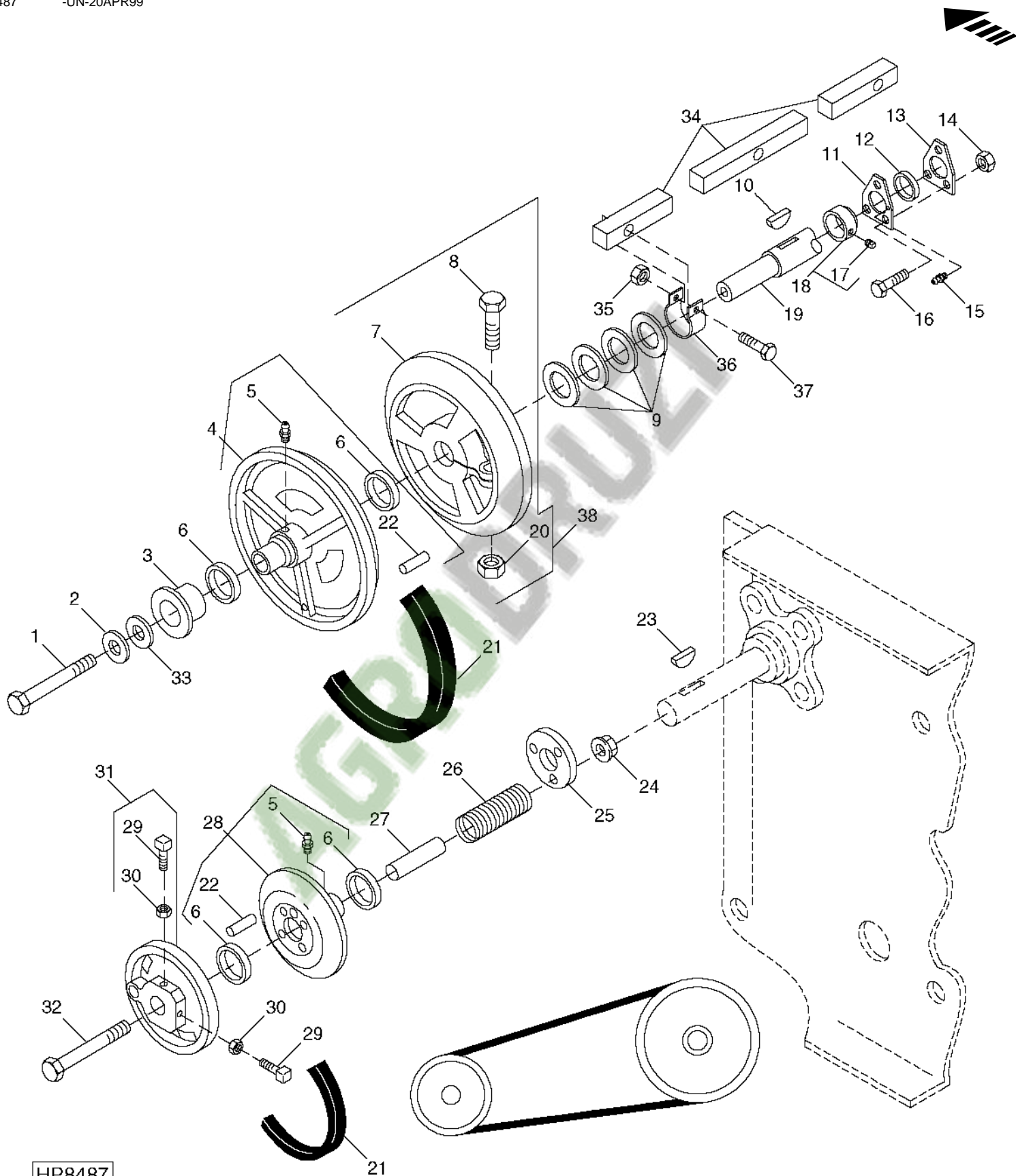
BEATER DRIVE, SHEAVES AND TIGHTENER
HP3468 -UN-01JAN94



HP3468

9E7

SEPARATOR FAN DRIVE
HP8487 -UN-20APR99

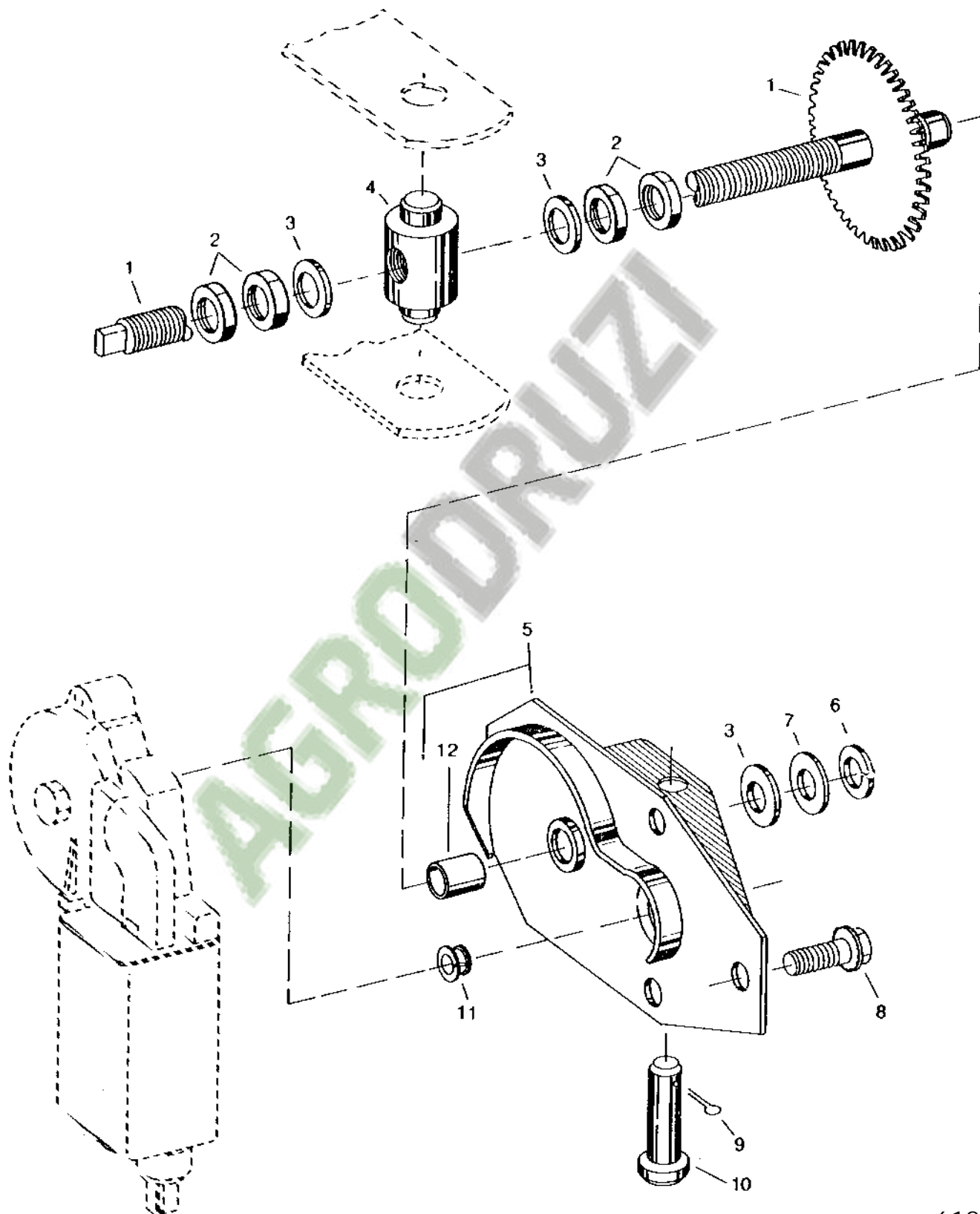


HP8487

FAN DRIVE SPEED CONTROL LINKAGE

(-640200)

HP3783 -UN-01JAN94



HP3783

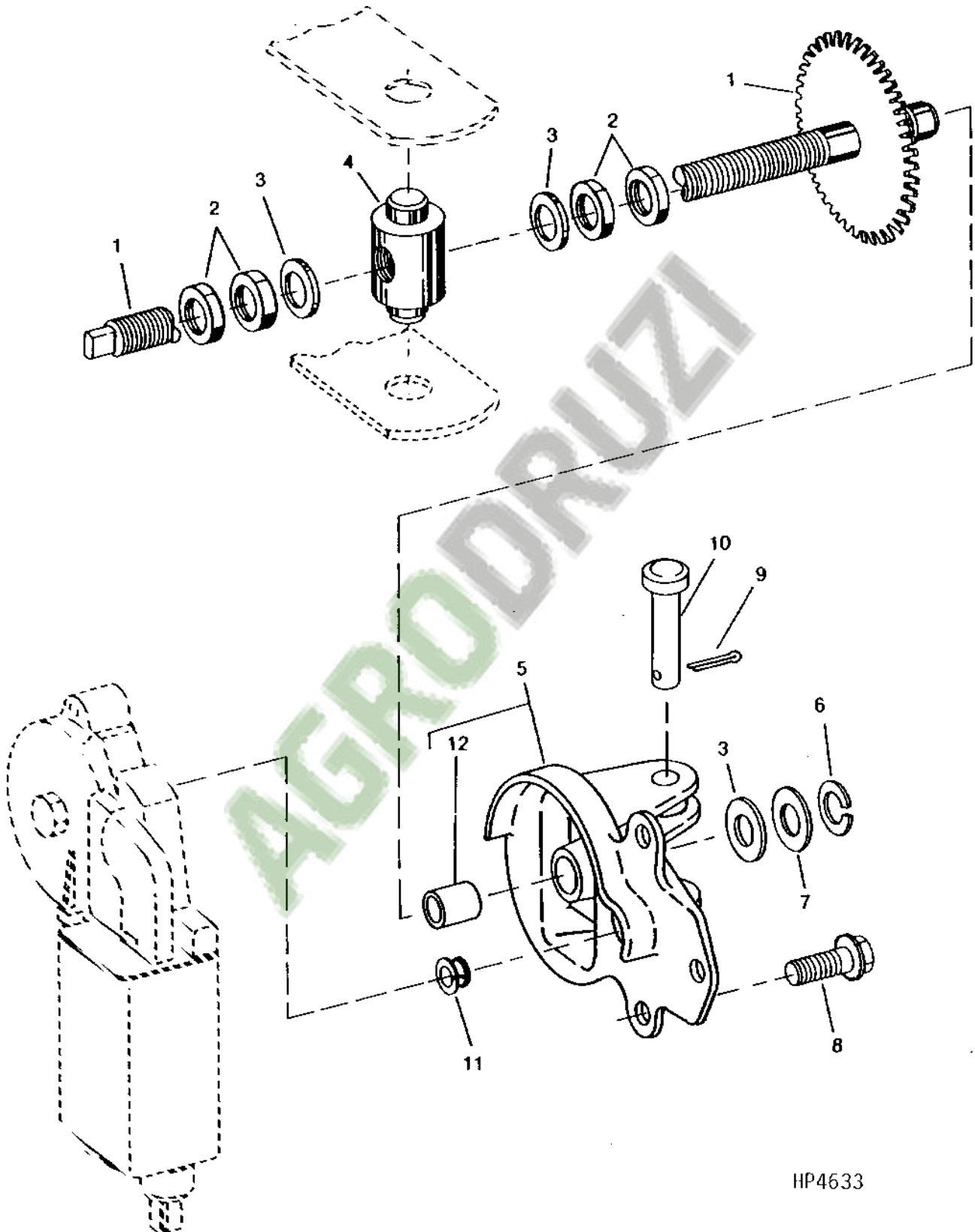
612

9E11

FAN DRIVE SPEED CONTROL LINKAGE

(640201-655200)

HP4633 -UN-01JAN94



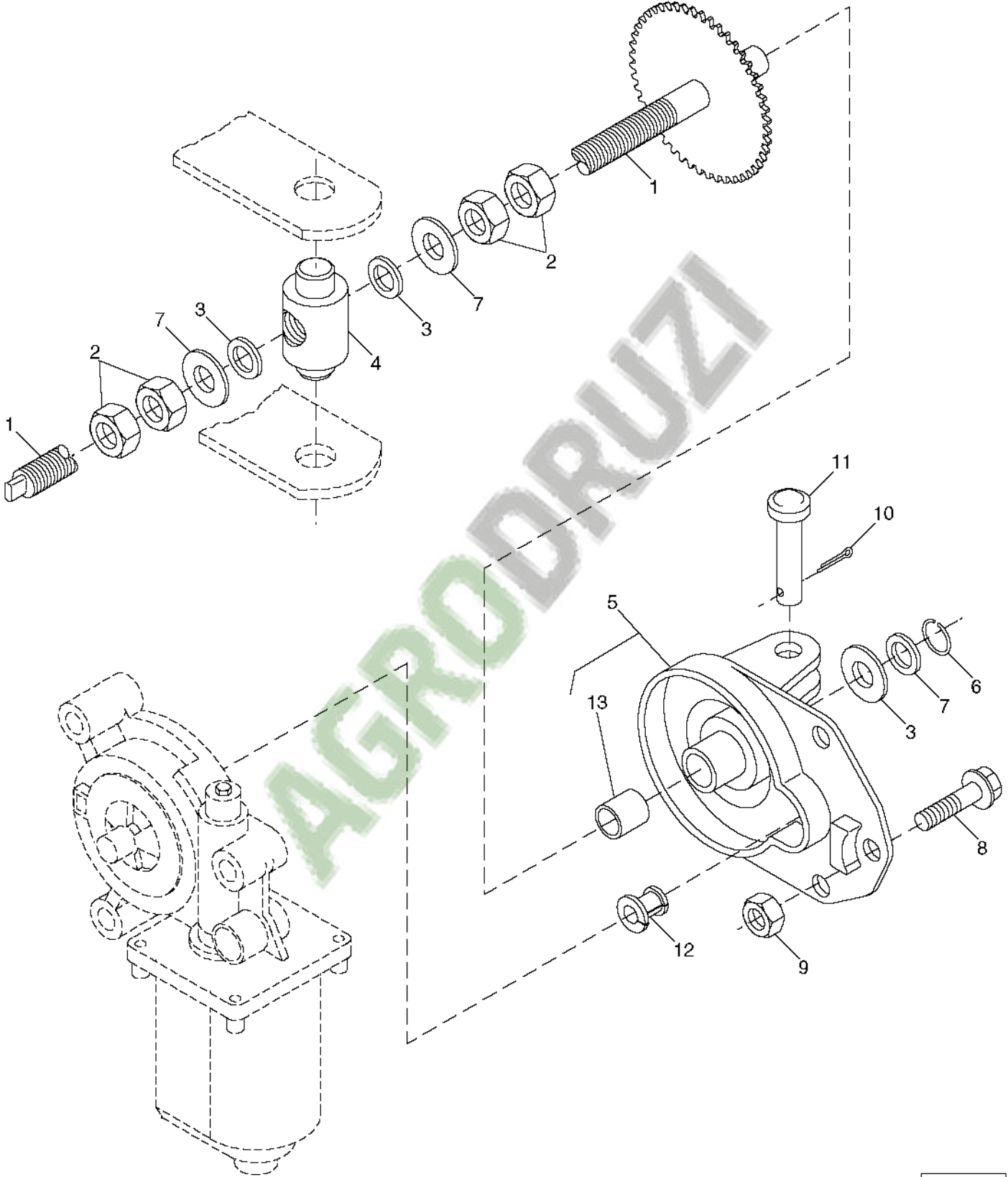
HP4633

9E13

DRIVES

FAN DRIVE SPEED CONTROL LINKAGE

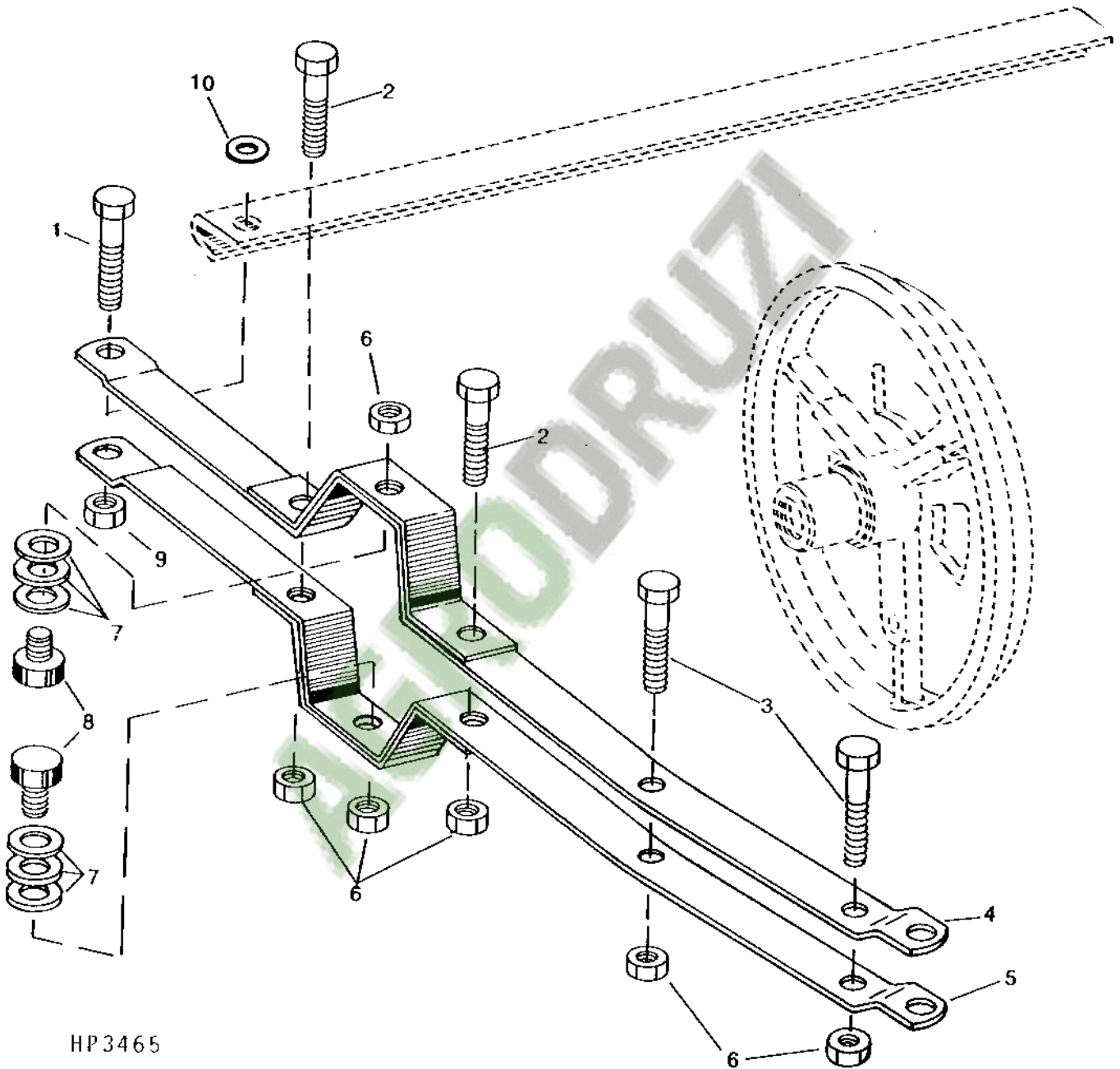
(655201-)
HP7550 -UN-16AUG99



HP7550 4

9E15

FAN DRIVE SPEED CONTROL SHEAVE LINKAGE
HP3465 -UN-01JAN94

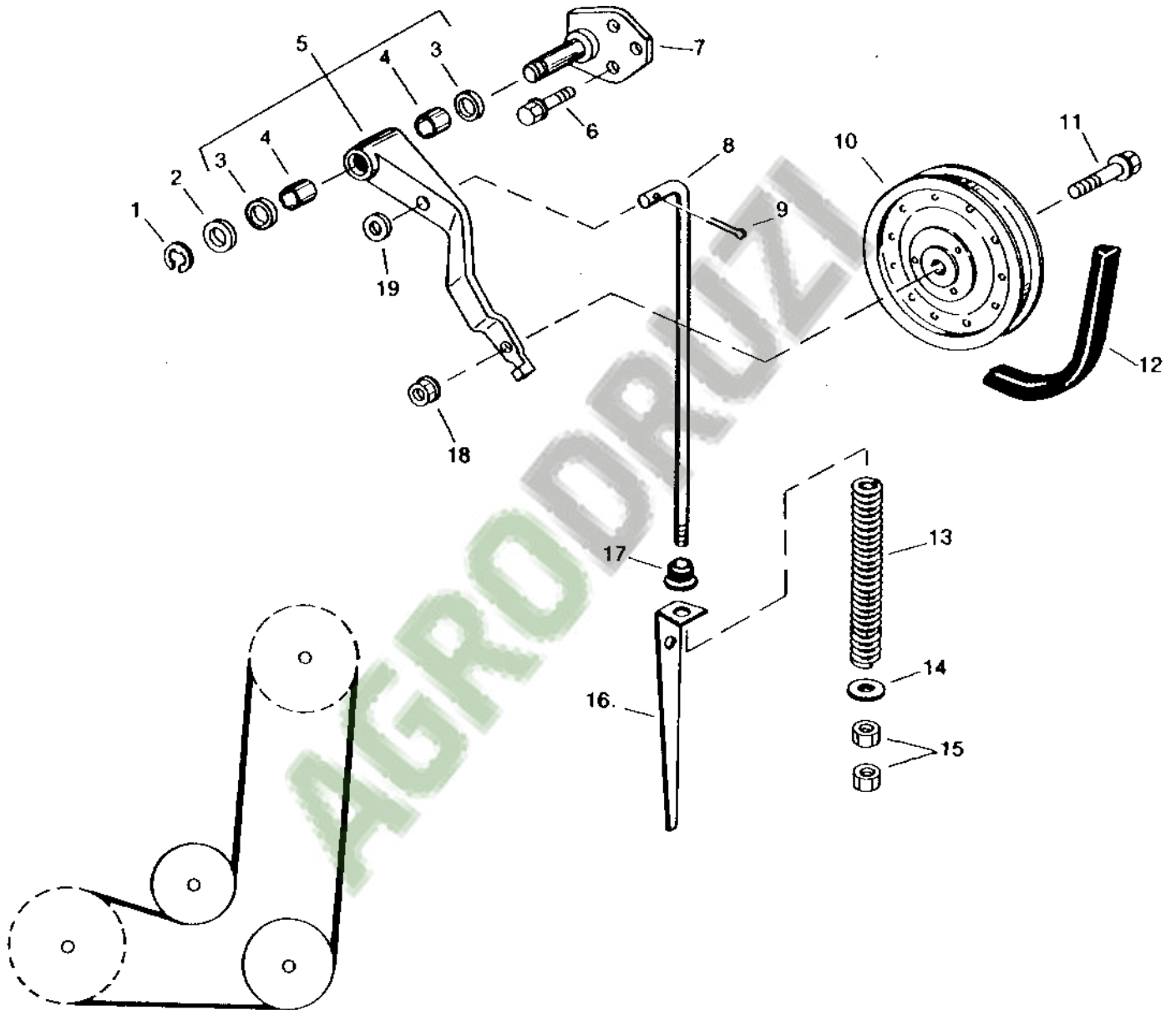


HP3465

9E17

FEEDER HOUSE DRIVE TIGHTENER

HP3469 -UN-01JAN94

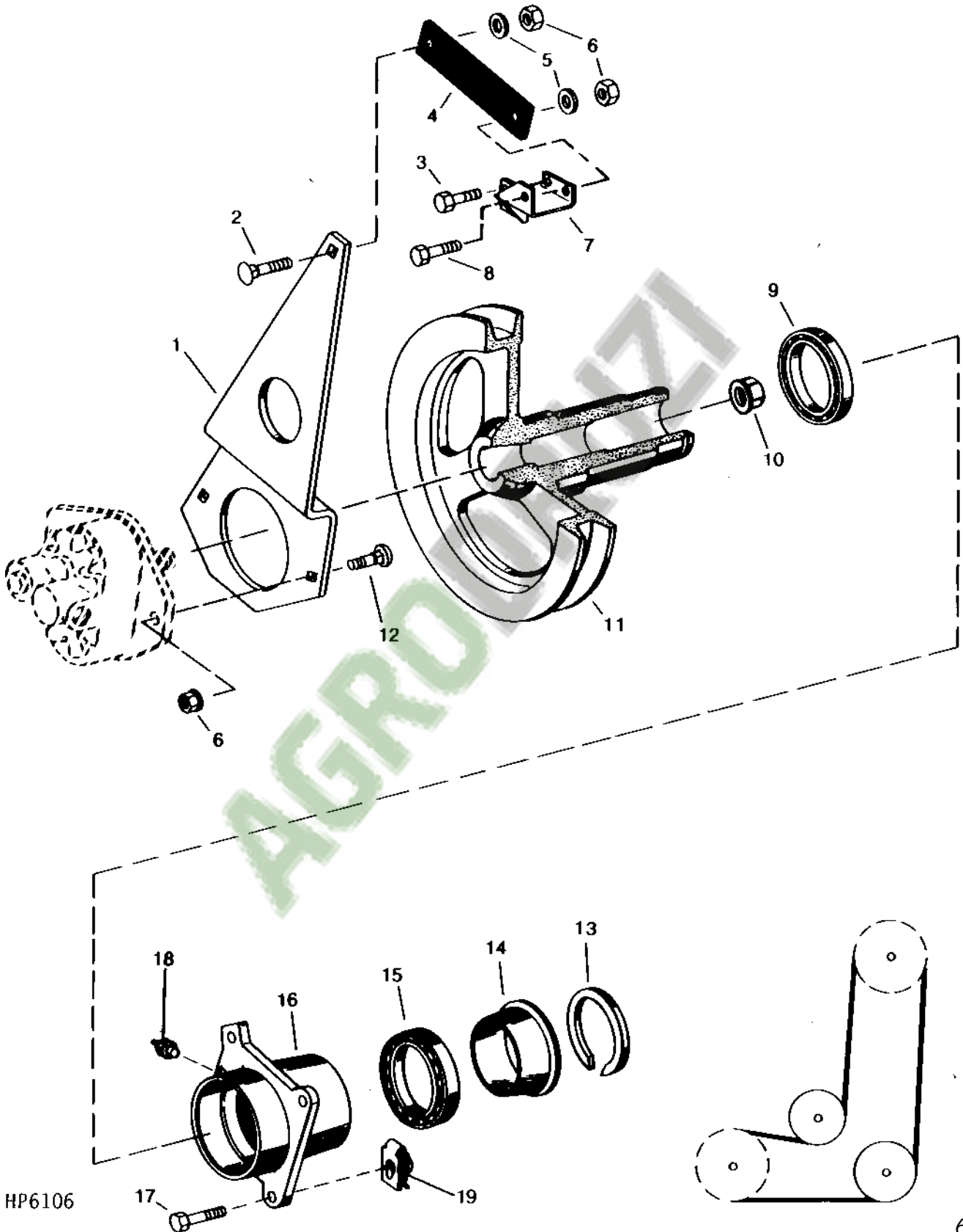


HP3469

9E19

REEL / BELT PICKUP CHARGE PUMP MOUNTING AND SHEAVE

HP6106 -UN-27JUN95

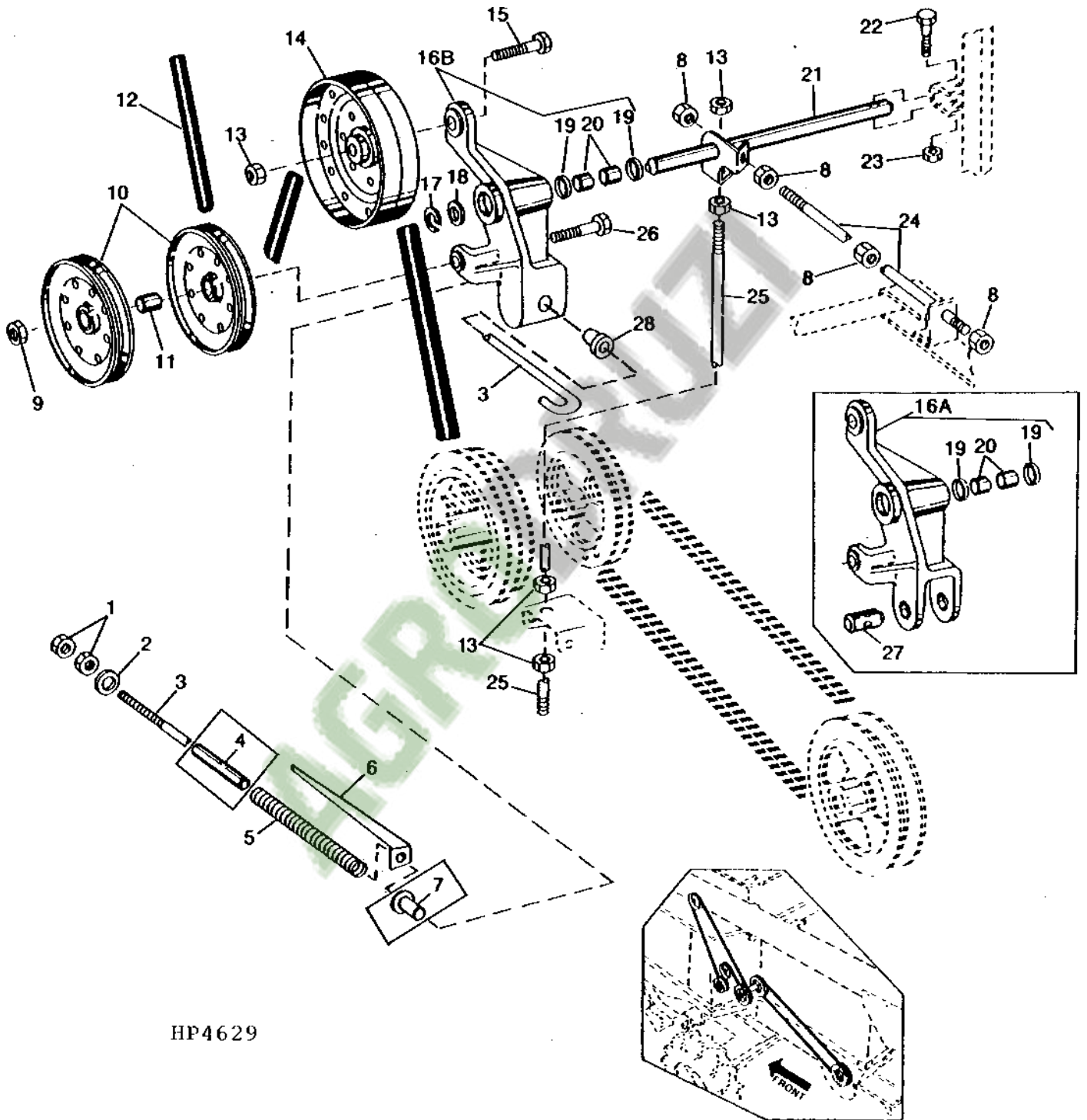


617

9E21

STRAW CHOPPER DRIVES (FRONT)

HP4629 -UN-01JAN94

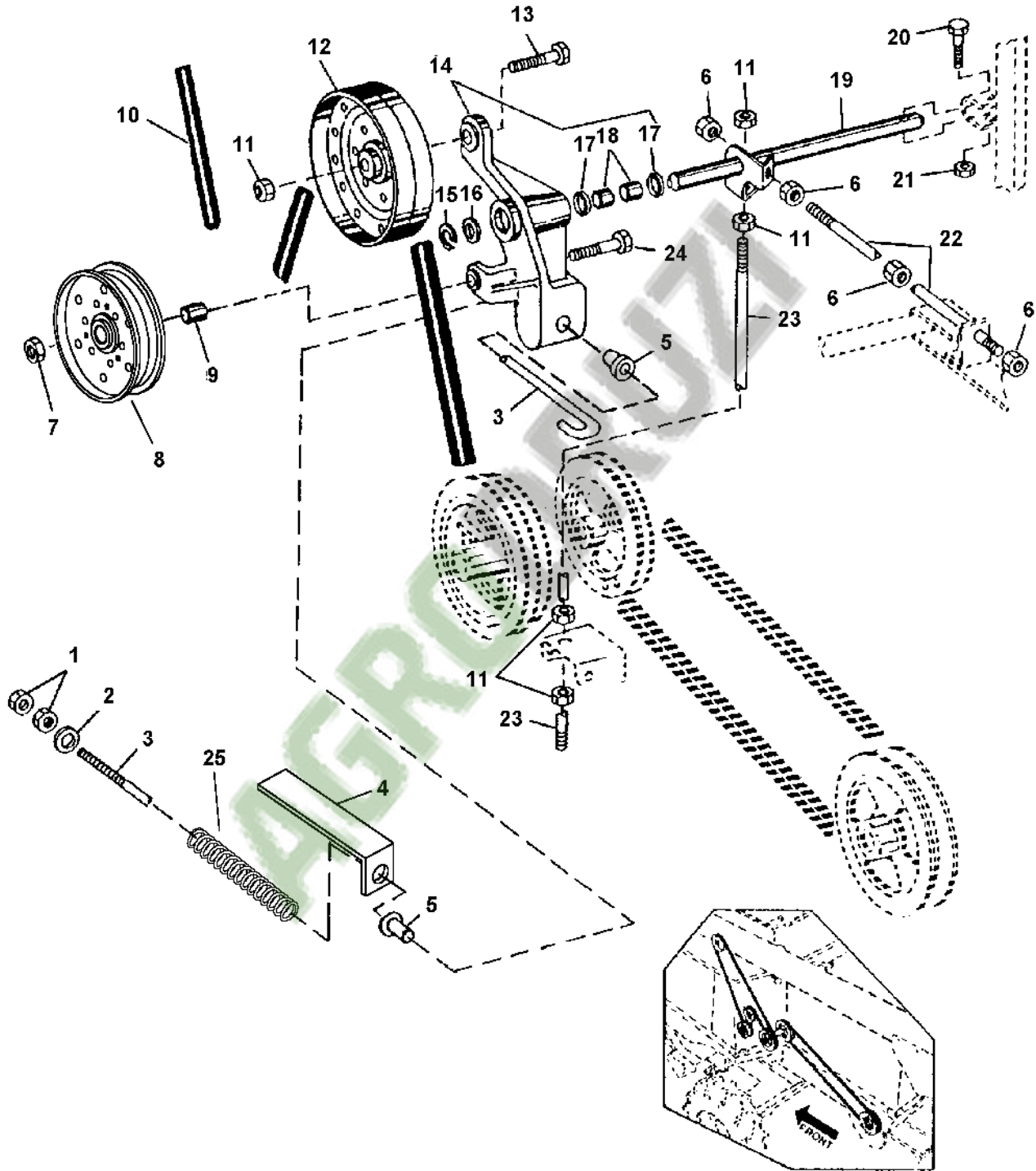


HP4629

9E23

FINE CUT STRAW CHOPPER DRIVES (FRONT)

HP7616 -UN-31AUG98

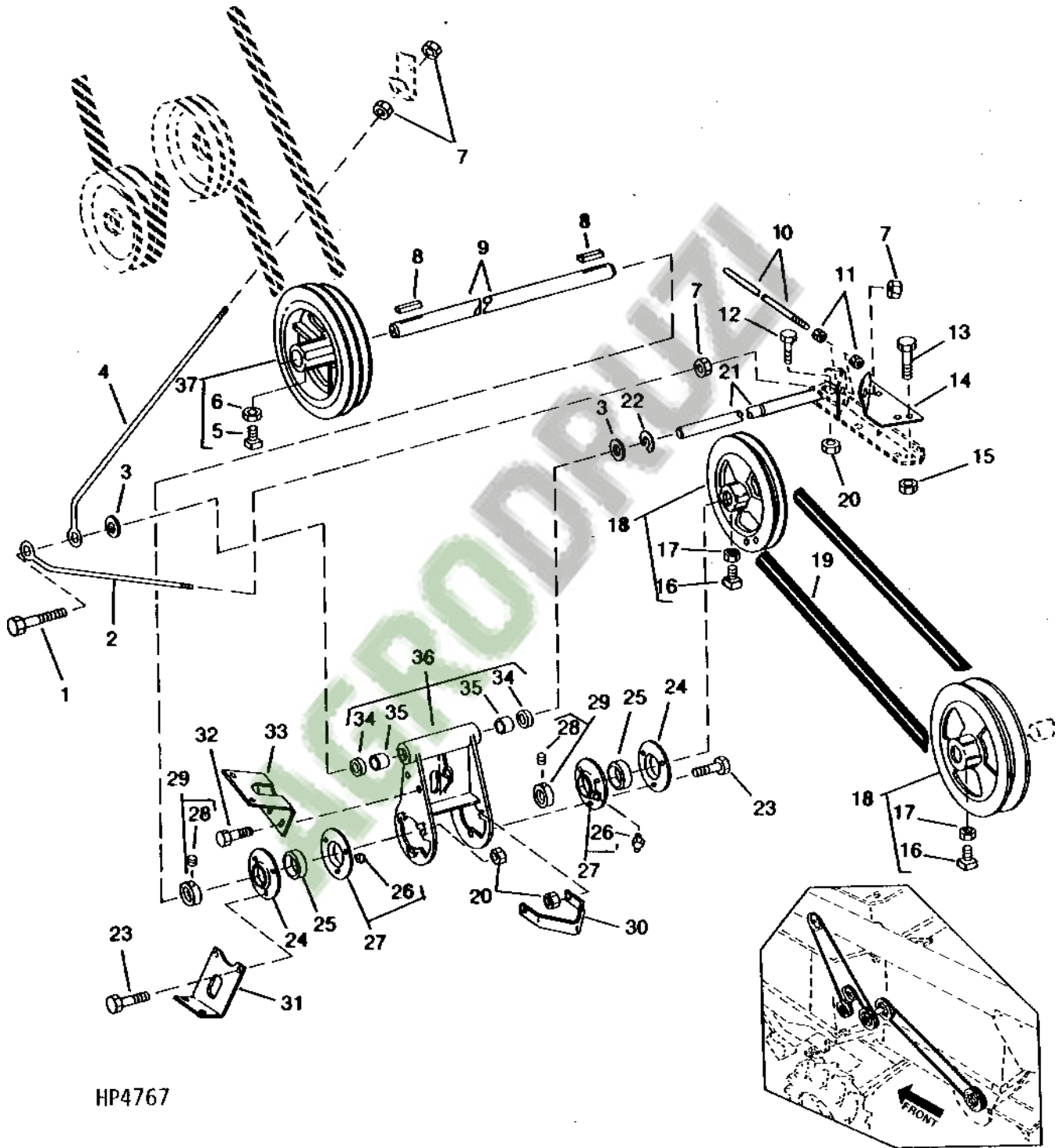


HP7616

619

9F1

STRAW CHOPPER DRIVES (REAR)
HP4767 -UN-01JAN94

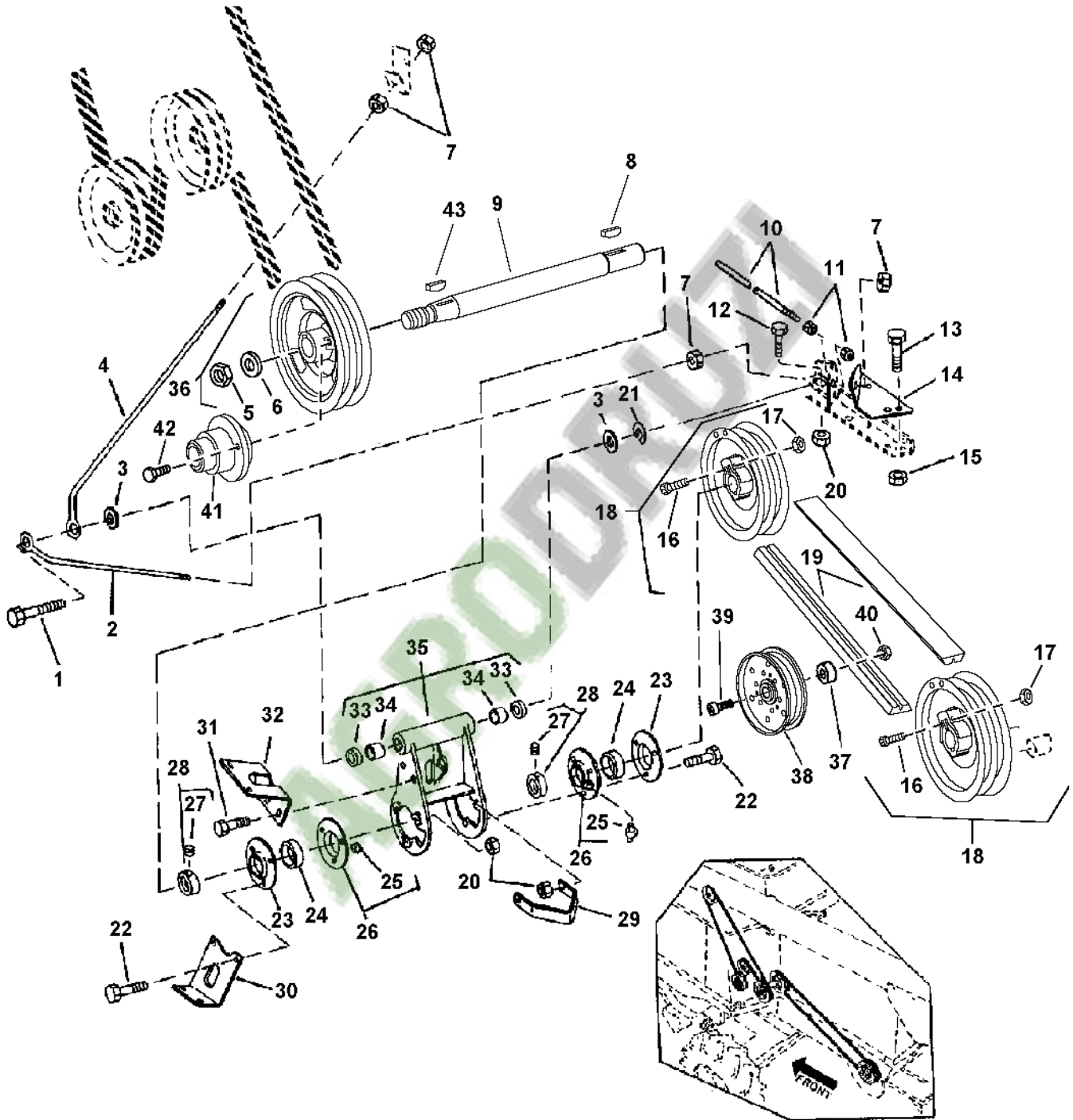


HP4767

9F3

FINE CUT STRAW CHOPPER DRIVES (REAR)

HP7617 -UN-31AUG98



HP7617

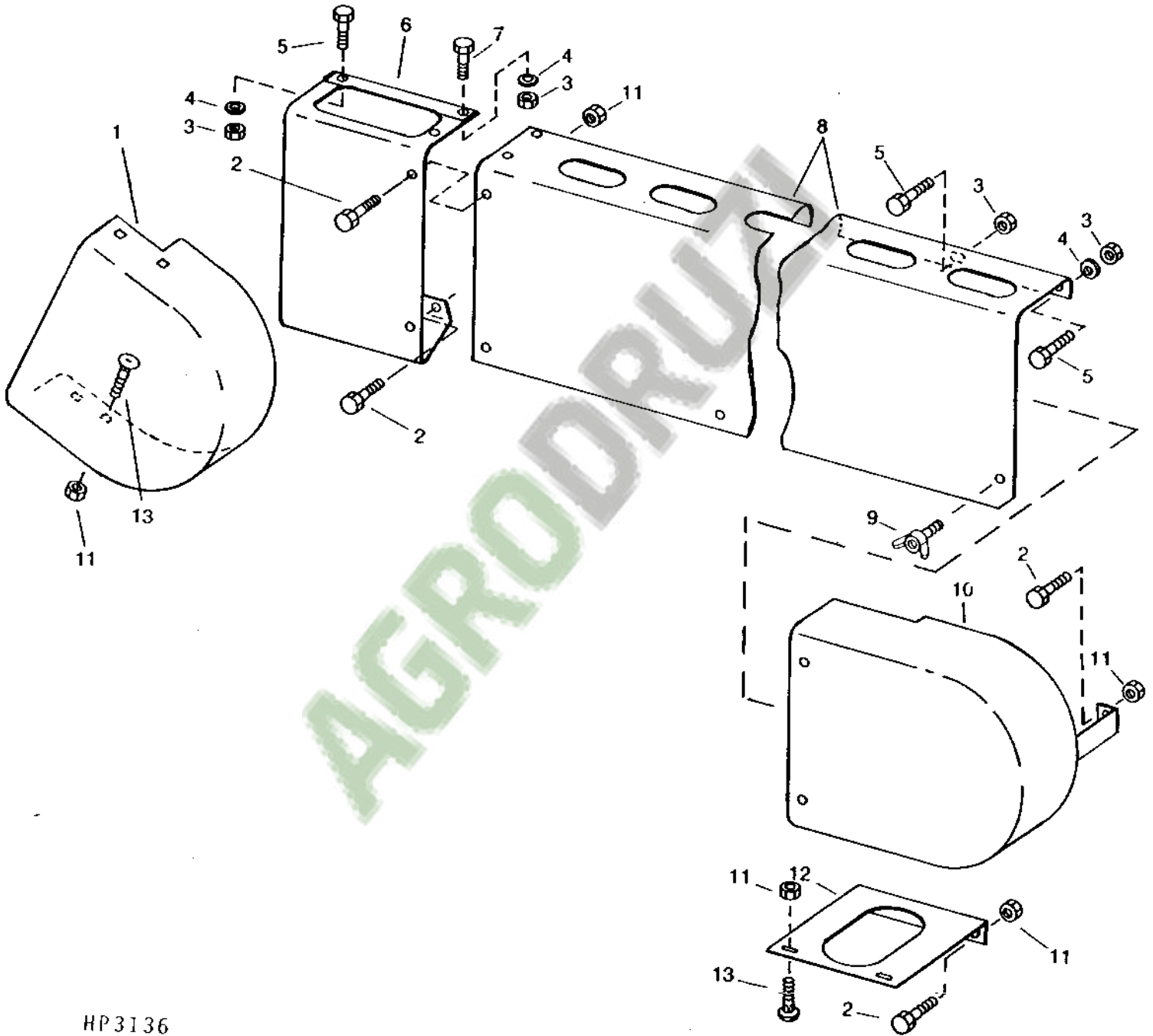
621

9F5

STRAW CHOPPER DRIVE SHIELDS

(-640200)

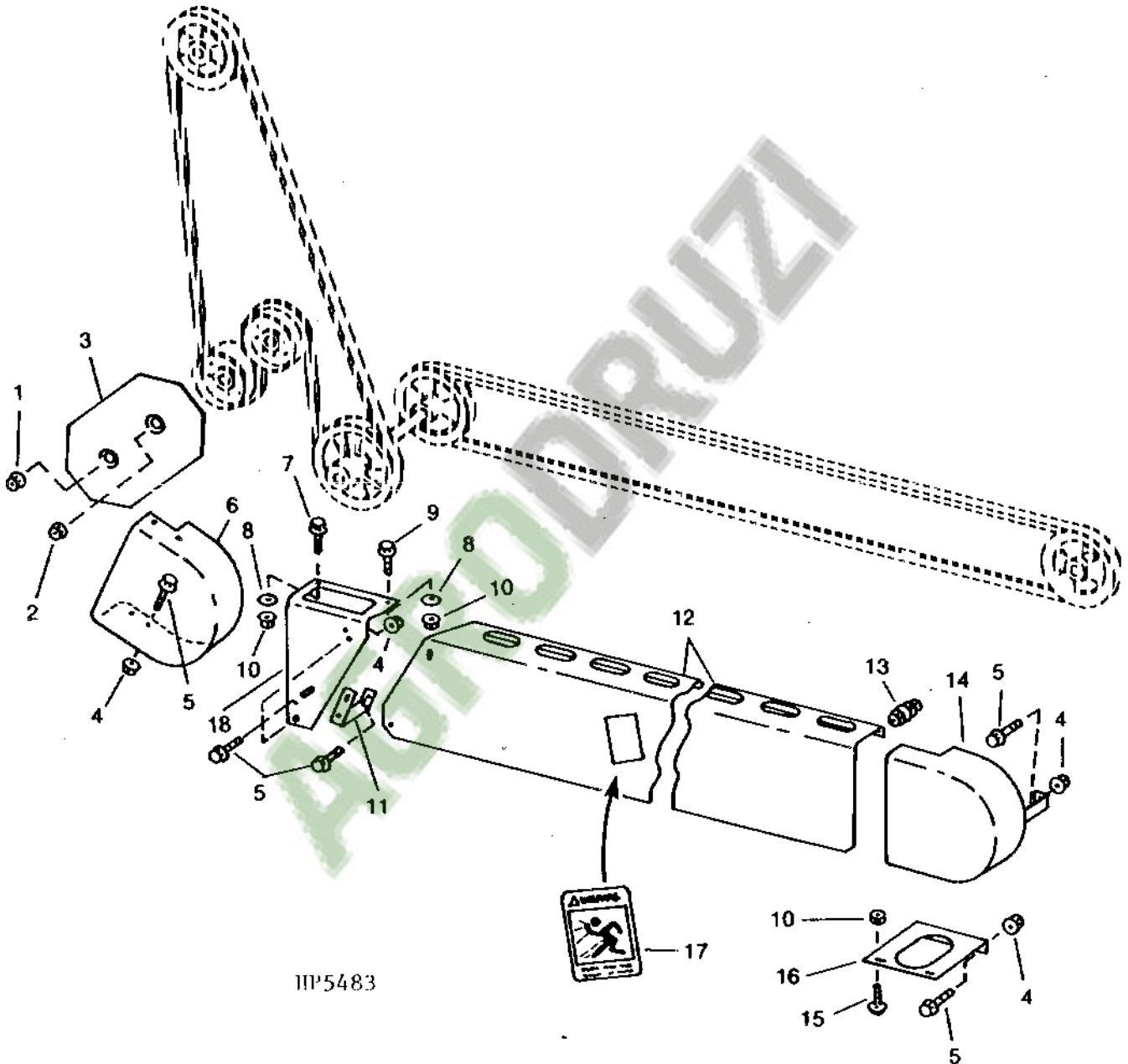
HP3136 -UN-01JAN94



HP3136

9F7

STRAW CHOPPER DRIVE SHIELDS (640201-)
HP5483 -UN-01JAN94

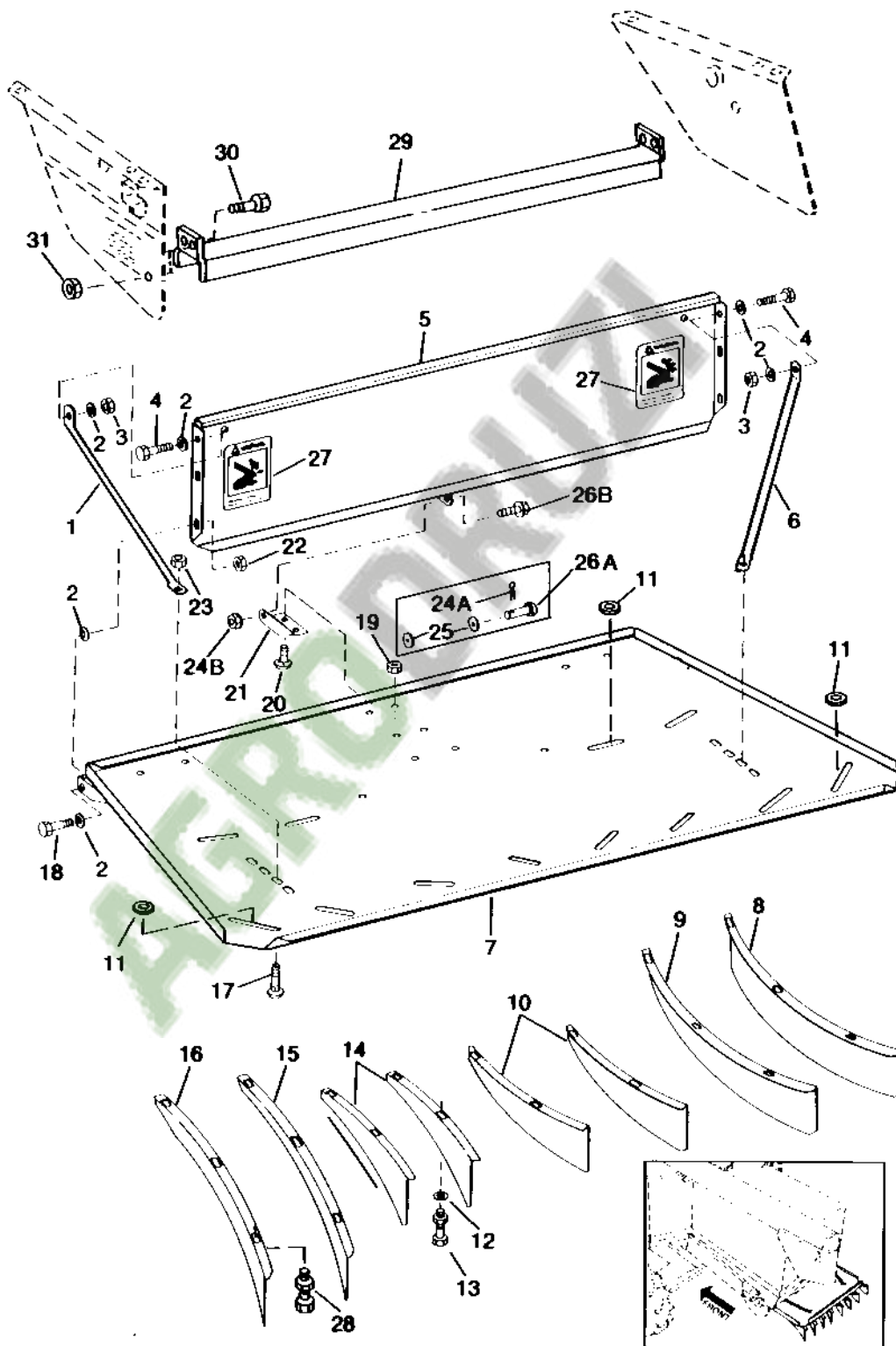


HP5483

9F12

STRAW CHOPPER DECK, SUPPORTS AND FINNS

HP5871 -UN-14OCT94

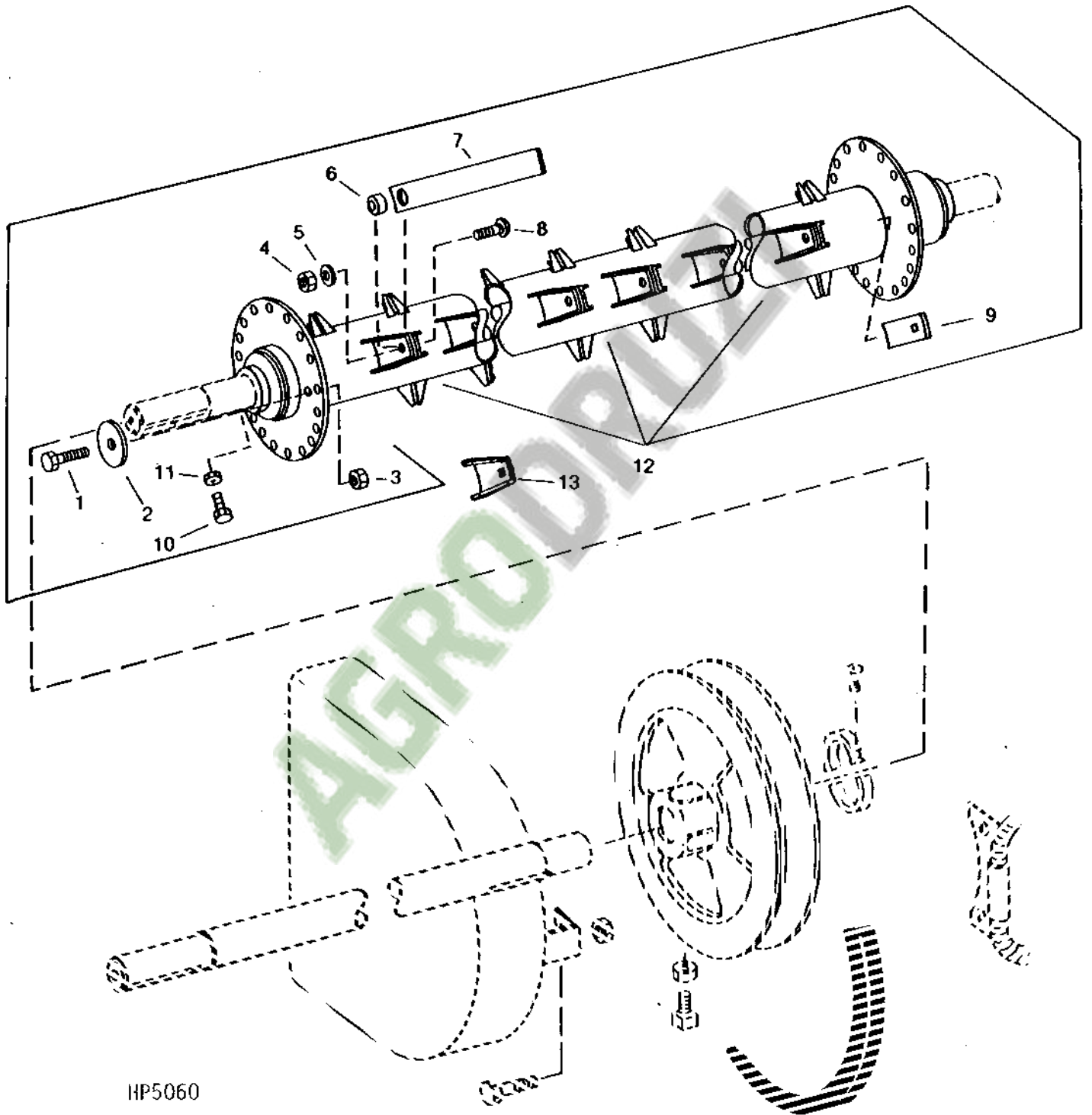


HP5871

9F14

RESIDUE DISPOSAL

STRAW CHOPPER ROTOR AND SHEAVE
9500(-650373) SH9500(-650200)
HP5060 -UN-01JAN94



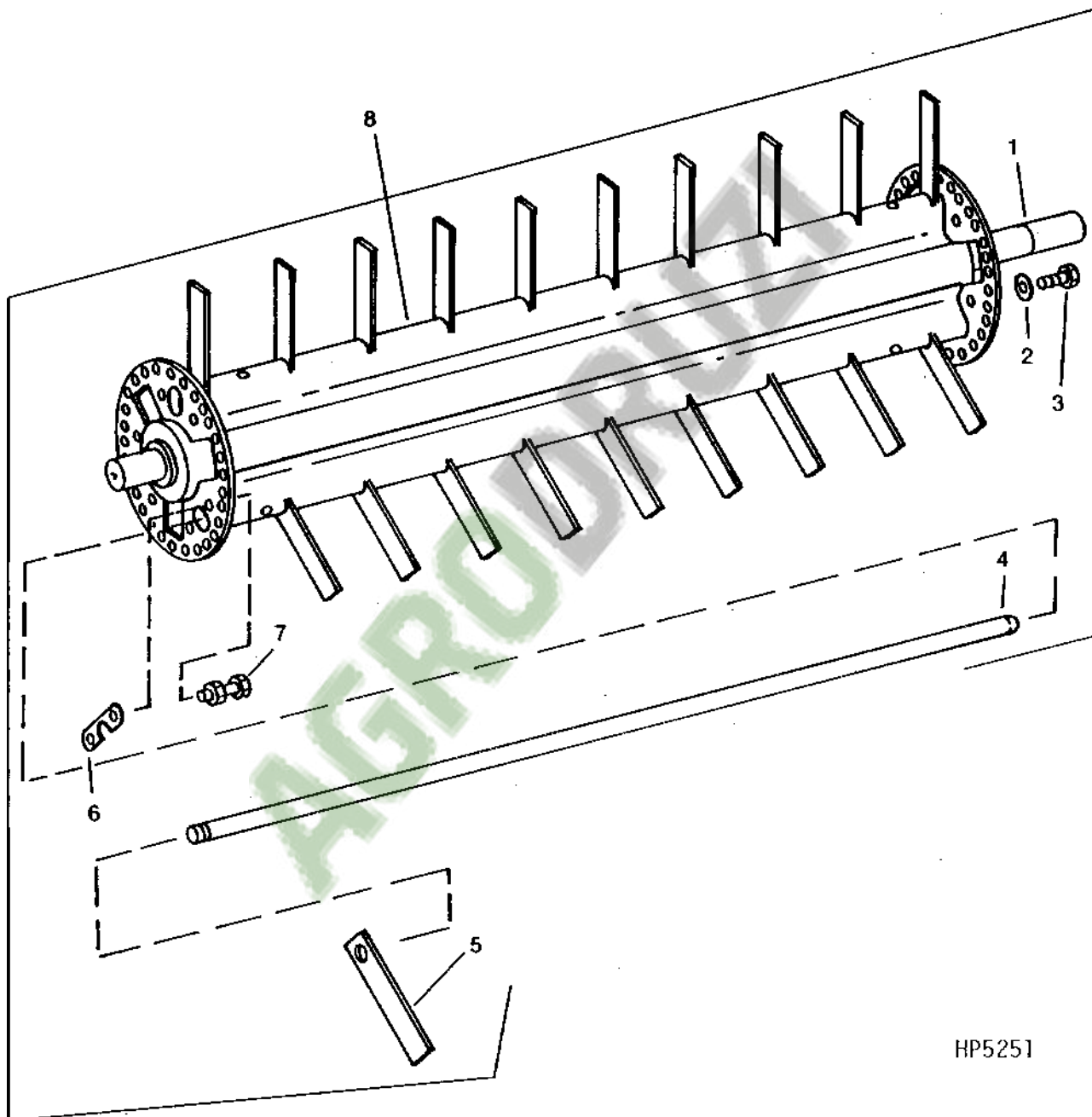
HP5060

625

9F16

RESIDUE DISPOSAL

TRI ROTOR STRAW CHOPPER
9500(650734-655996) SH9500(650201-655200)
HP5251 -UN-01JAN94



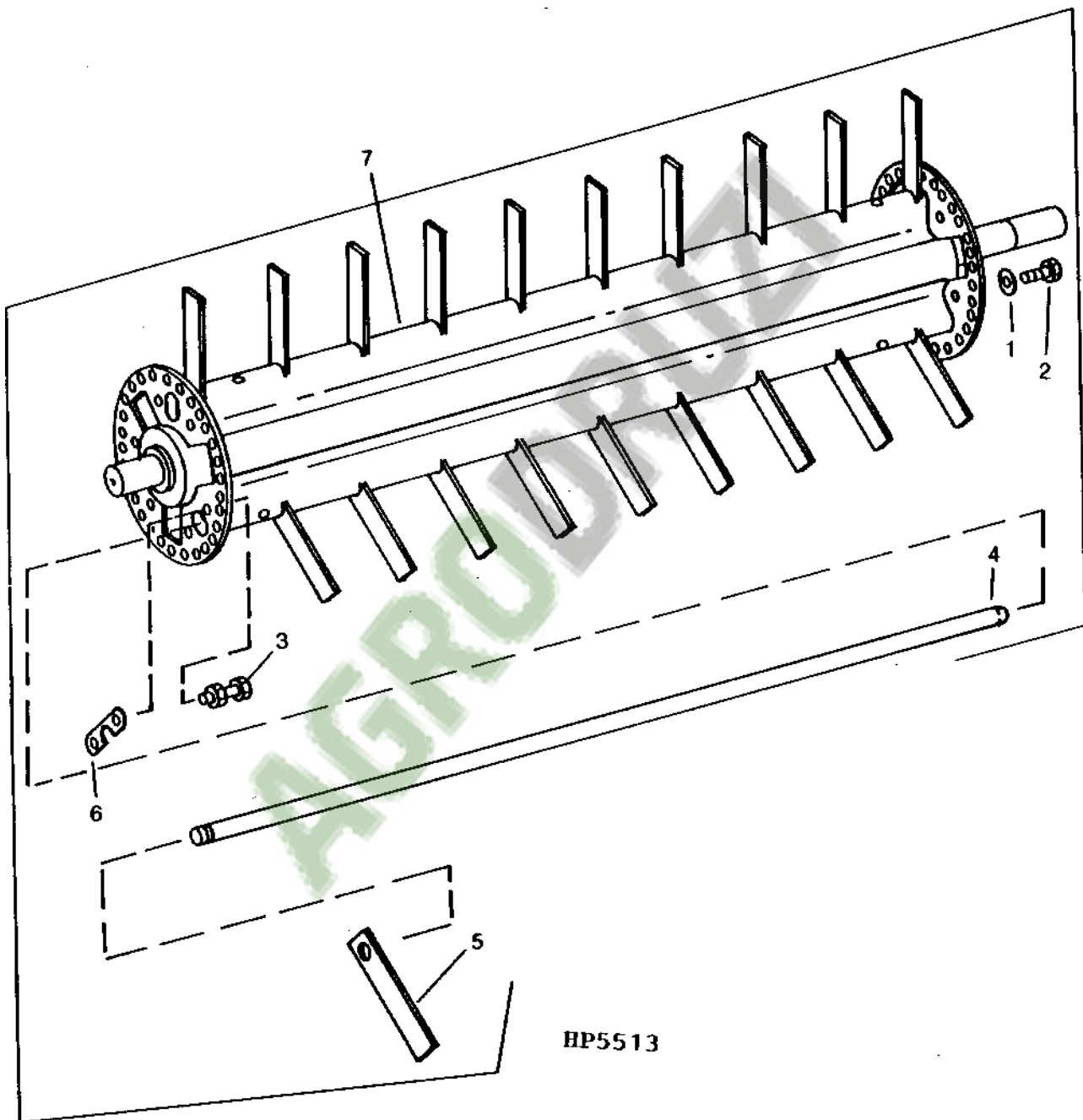
HP5251

9F18

RESIDUE DISPOSAL

TRI ROTOR STRAW CHOPPER

(655997-)
HP5513 -UN-01JAN94



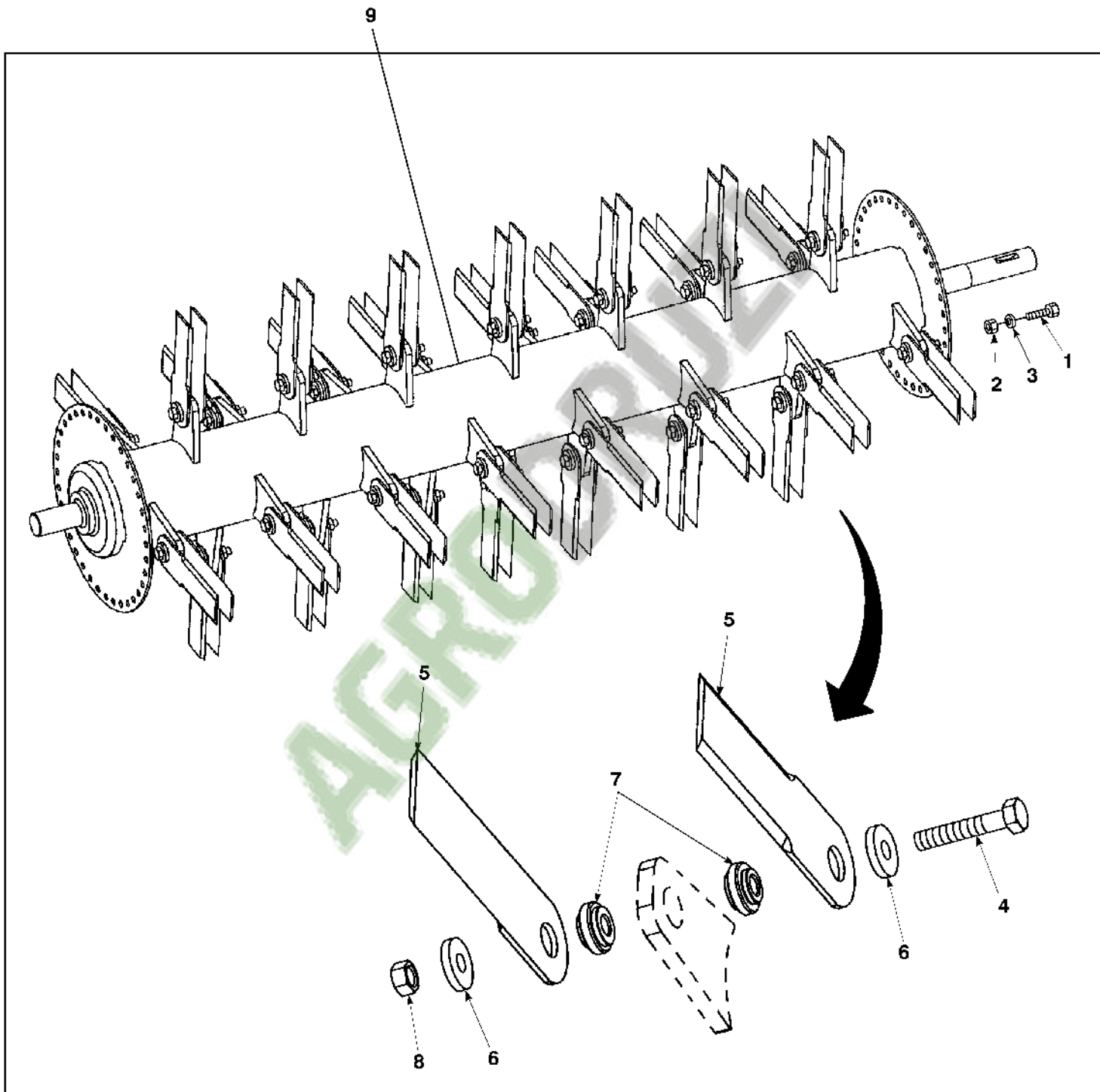
HP5513

627

9F20

RESIDUE DISPOSAL

FINE CUT ROTOR STRAW CHOPPER (STRAIGHT NARROW) (670492-)
HP6730 -UN-22MAY97

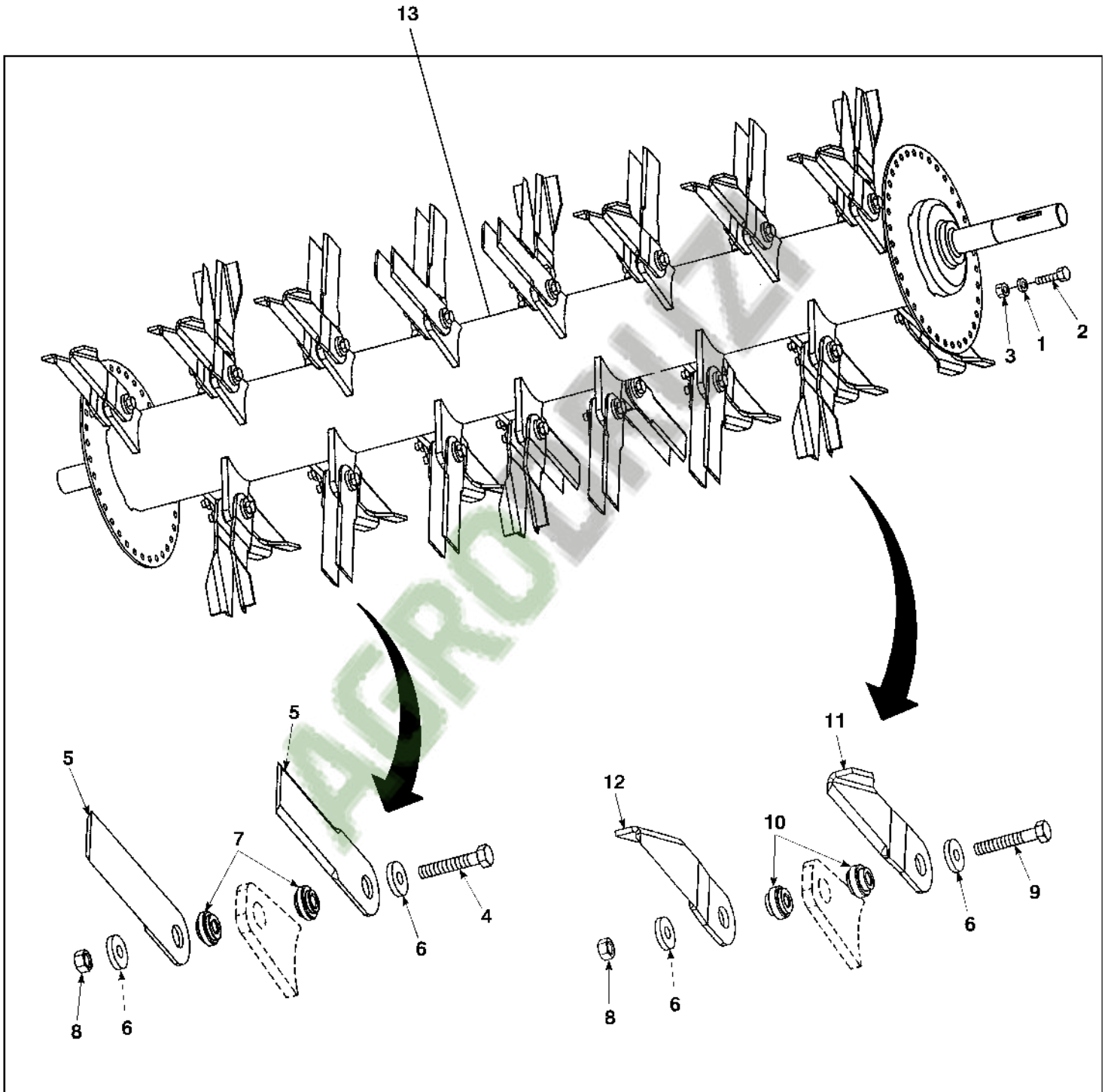


HP6730

628

9F22

FINE CUT ROTOR STRAW CHOPPER (PADDLED NARROW) (670492-)
HP6731 -UN-22MAY97



HP6731

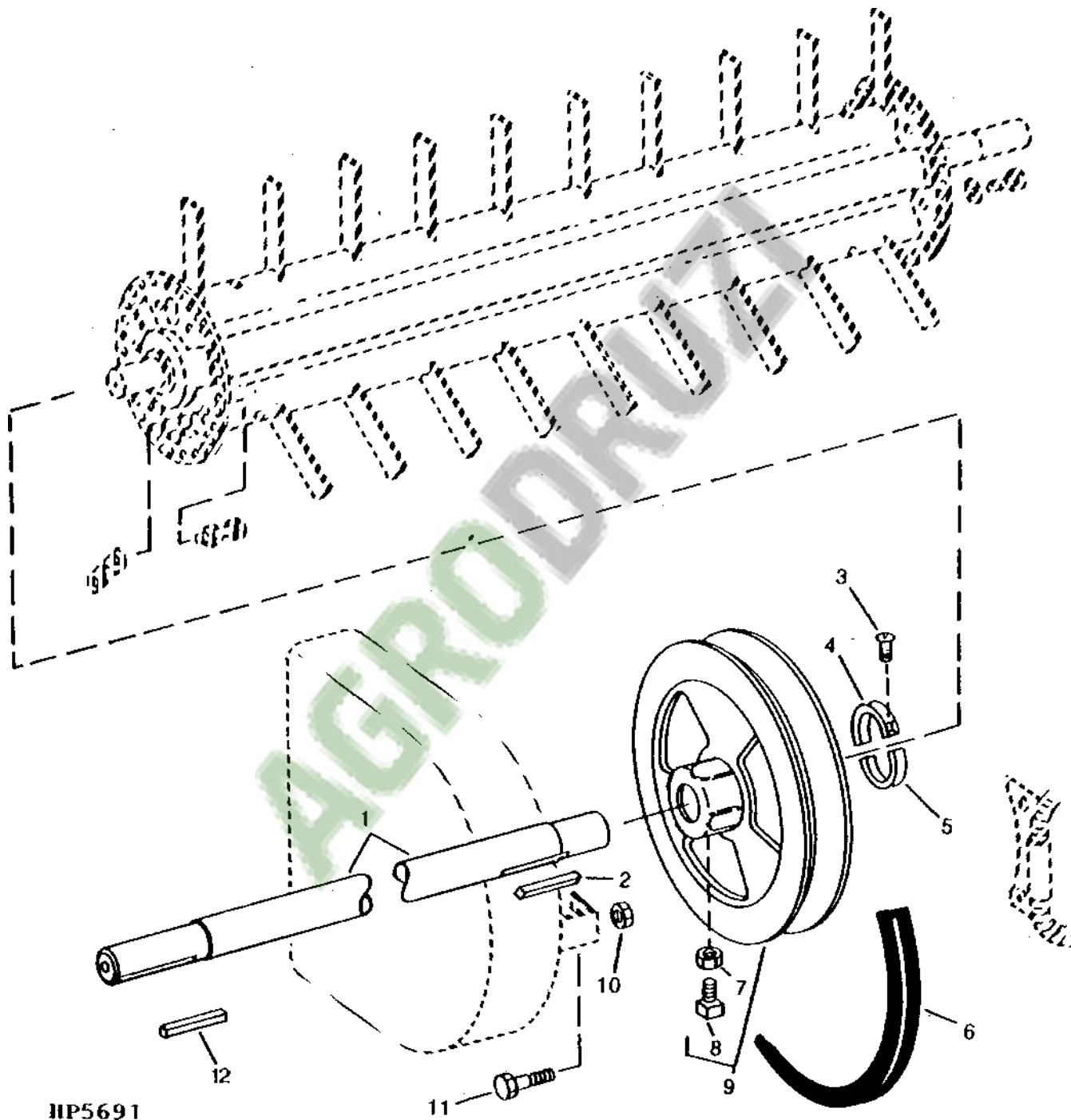
629

9F24

RESIDUE DISPOSAL

STRAW CHOPPER ROTOR AND SHEAVE

HP5691 -UN-01JAN94



HP5691

630

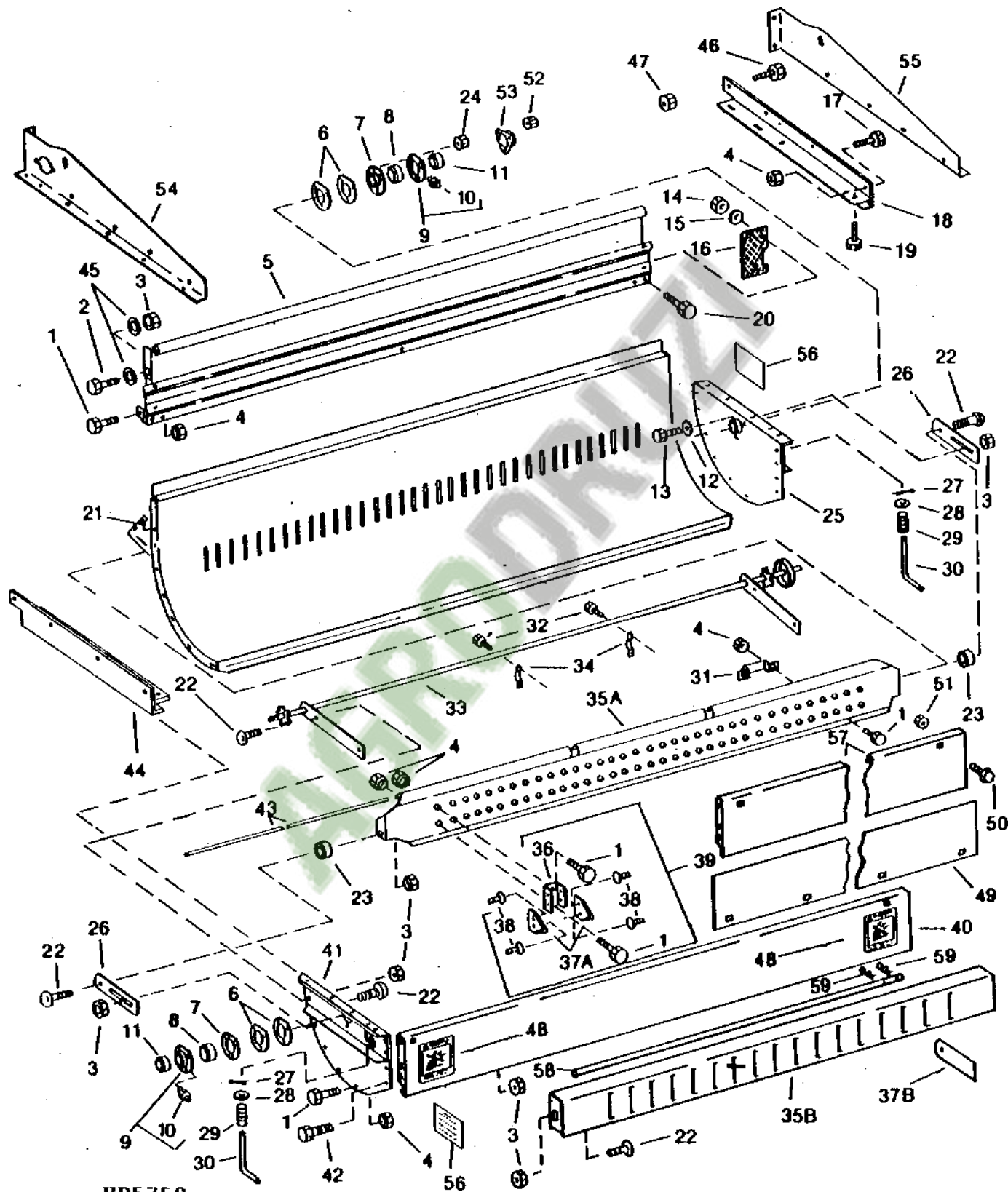
9G1

RESIDUE DISPOSAL

STRAW CHOPPER HOUSING AND KNIFEBANK

(-655200)

HP5758 -UN-01JAN94



HP5758

631

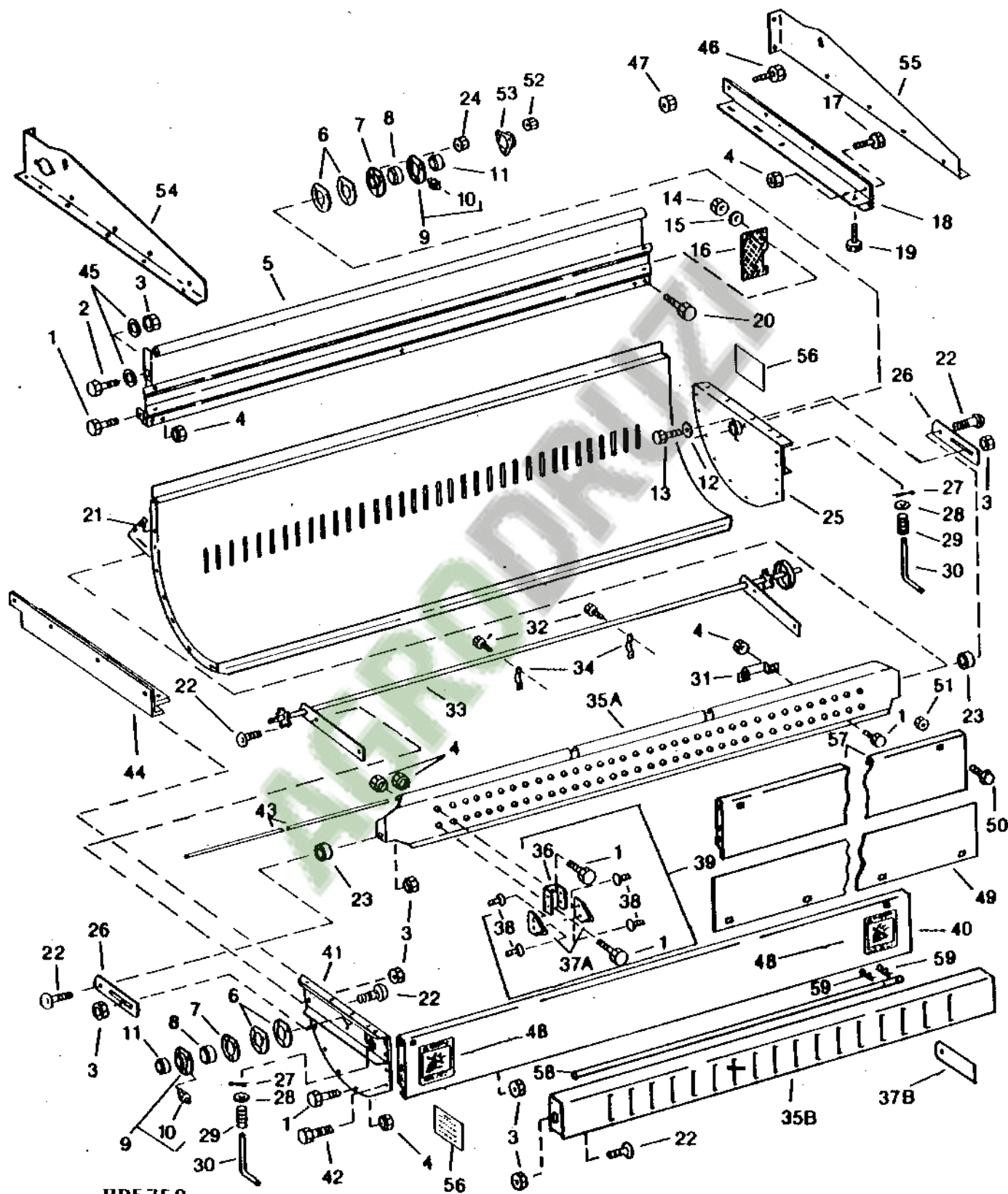
9G3

RESIDUE DISPOSAL

STRAW CHOPPER HOUSING AND KNIFEBANK

(-655200)

HP5758 -UN-01JAN94



HP5758

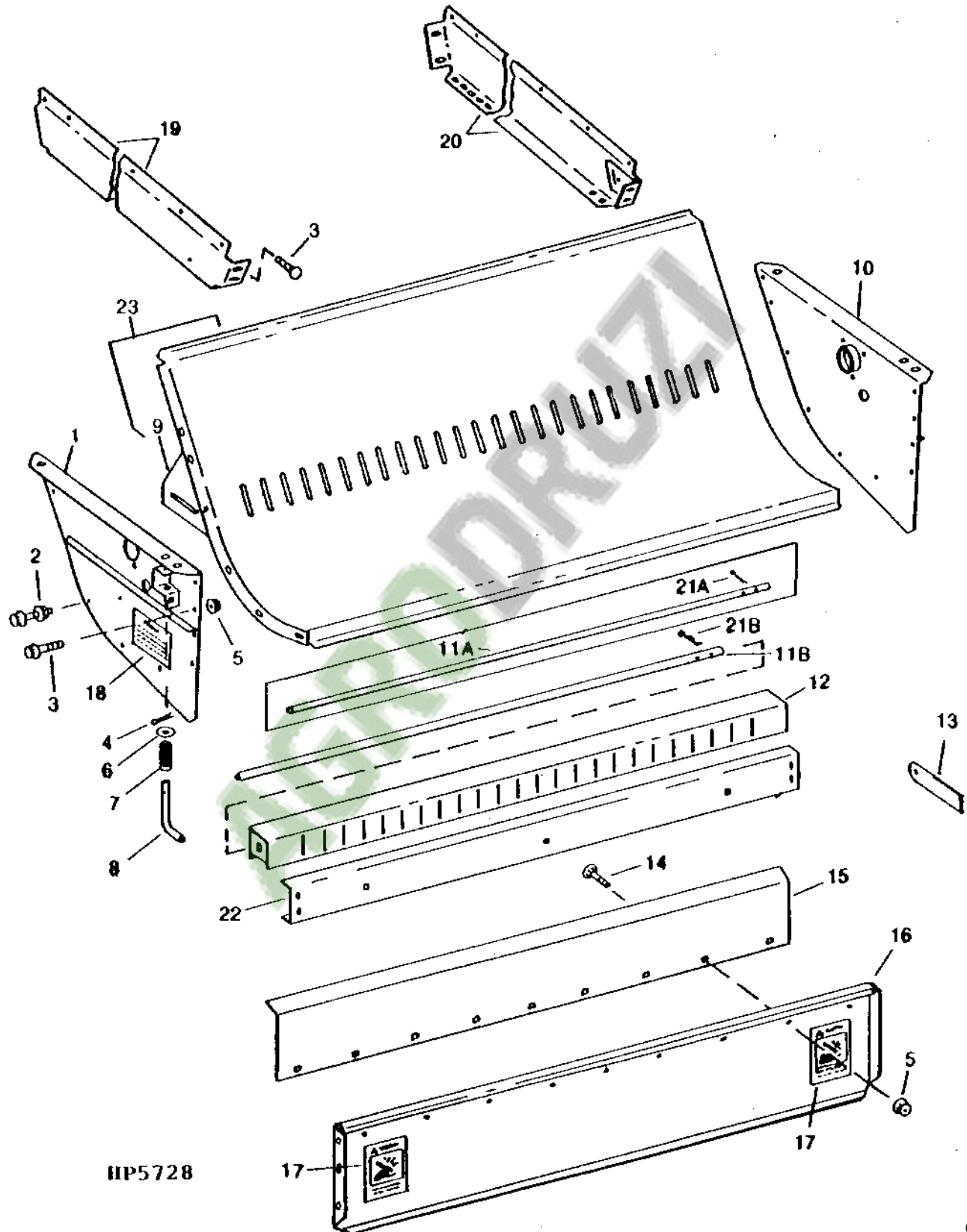
632

9G5

RESIDUE DISPOSAL

STRAW CHOPPER HOUSING AND KNIFEBANK

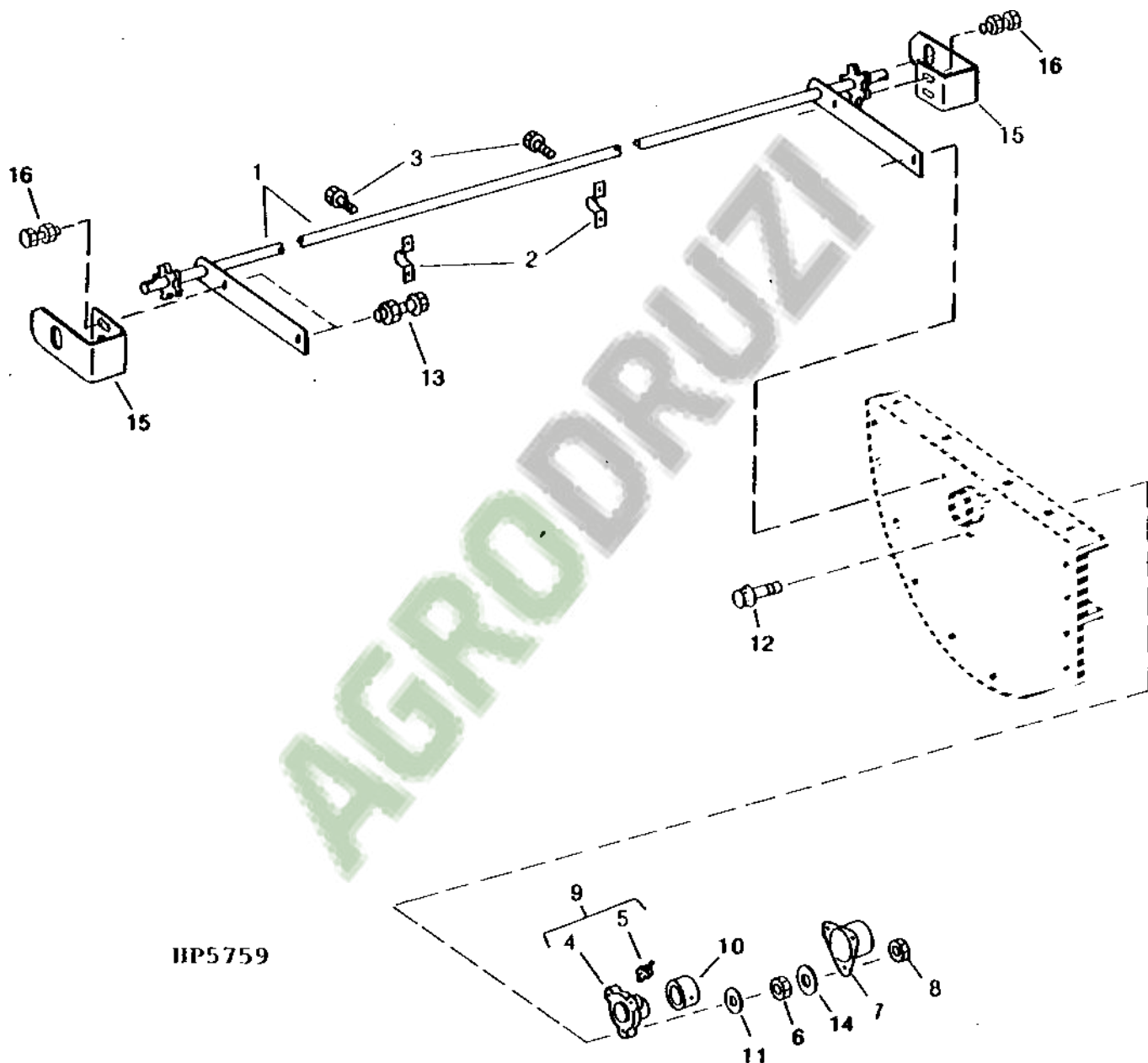
(655201-)
HP5728 -UN-01JAN94



633

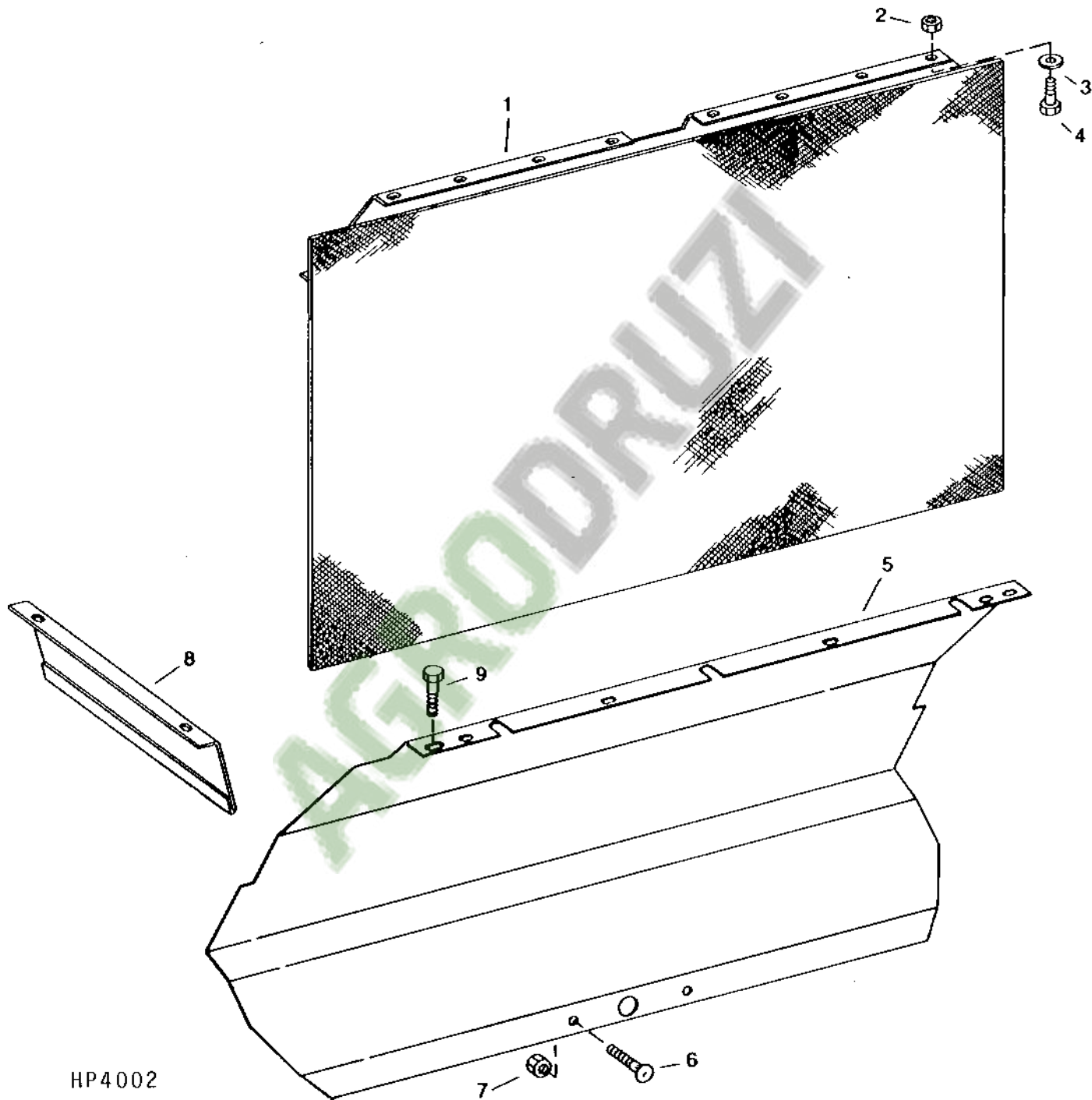
9G7

STRAW CHOPPER DRIVE SPROCKETS (655201-)
HP5759 -UN-01JAN94



CORN CURTAIN AND DEFLECTORS (OPTIONAL)

HP4002 -UN-01JAN94

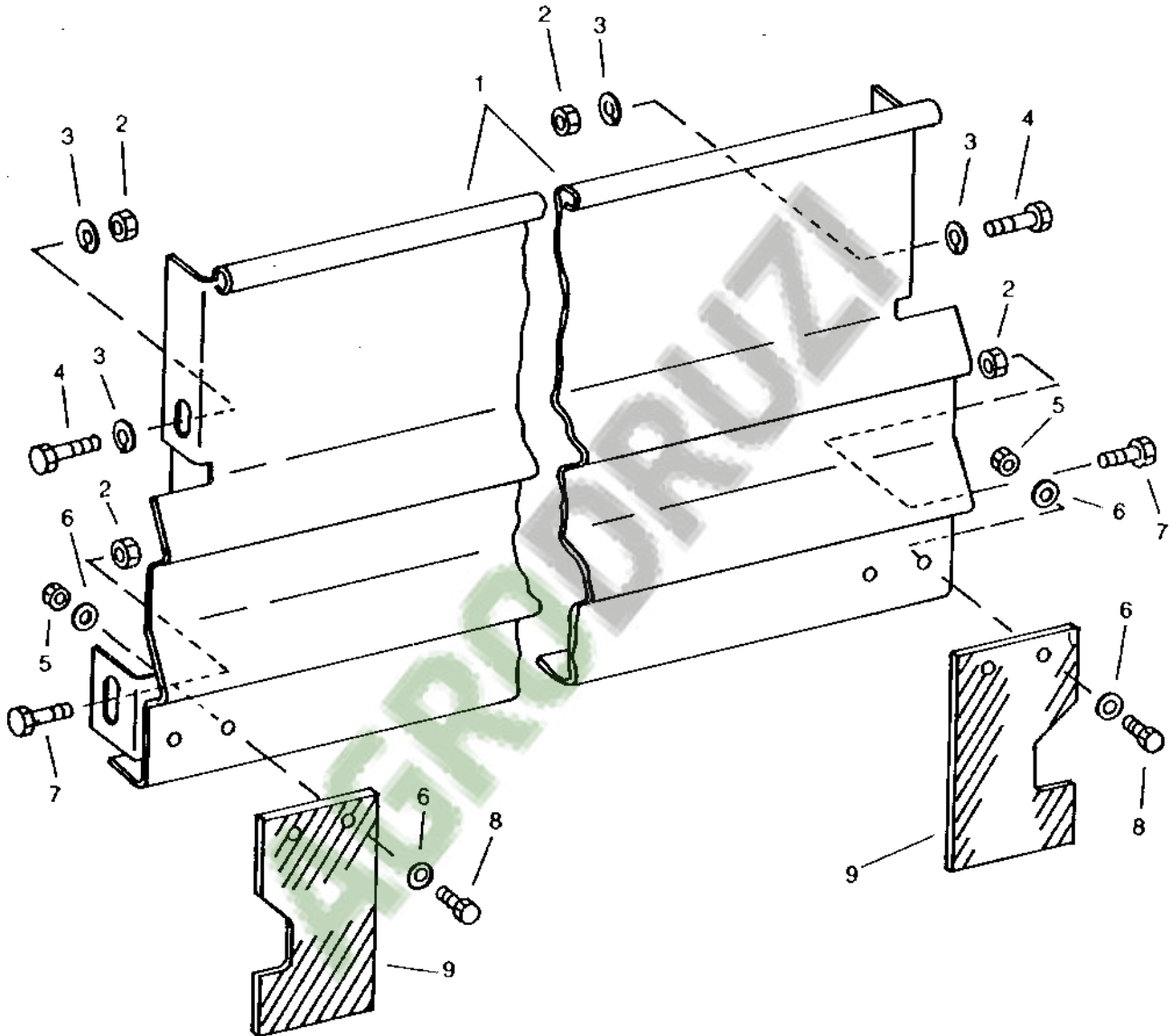


HP4002

9G11

RESIDUE DISPOSAL

STRAW CHOPPER DOOR
HP3785 -UN-01JAN94



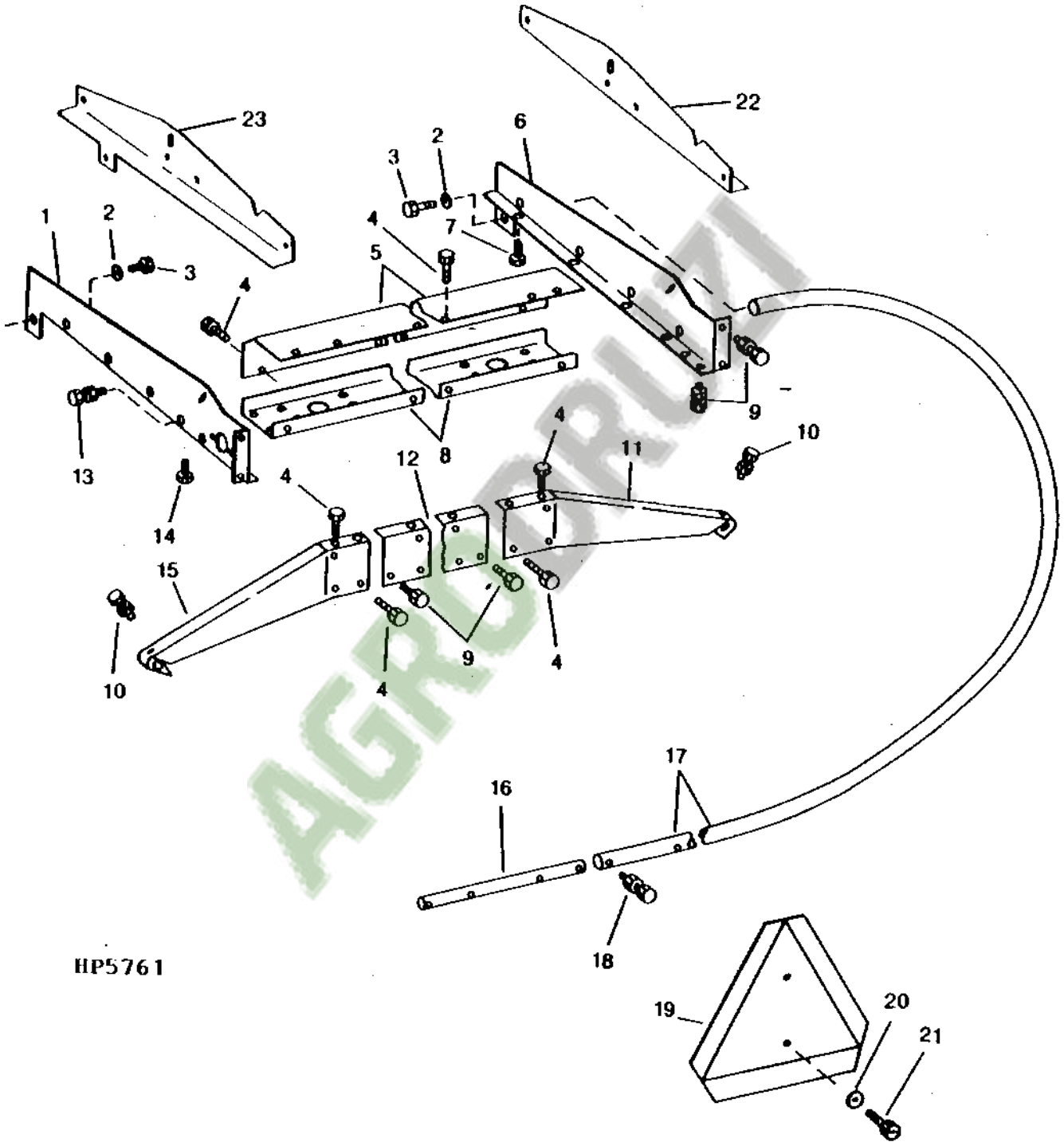
HP3785

636

9G13

RESIDUE DISPOSAL

STRAW SPREADER MOUNTING AND GUARD
HP5761 -UN-01JAN94

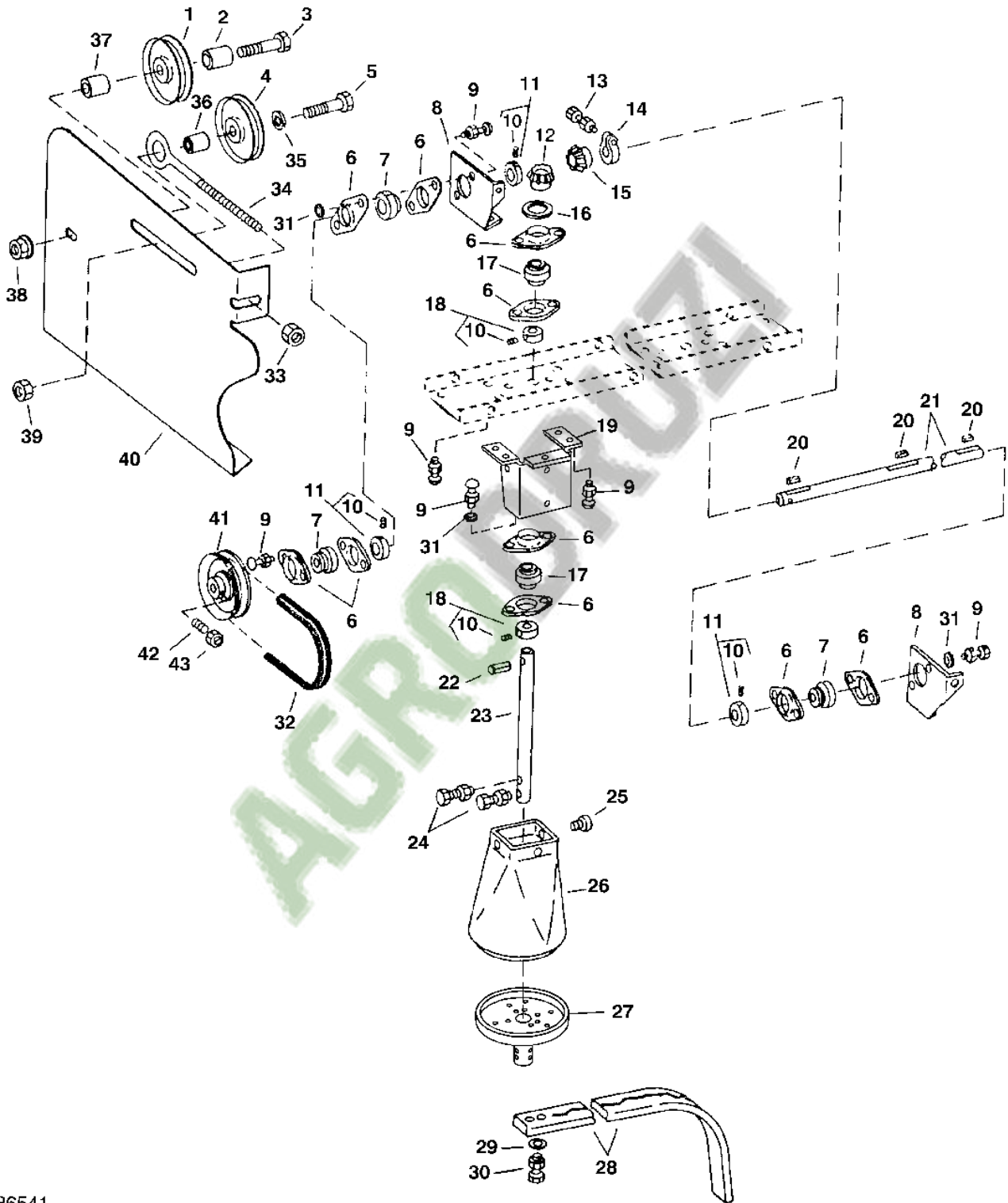


HP5761

9G15

RESIDUE DISPOSAL

STRAW SPREADER
HP6541 -UN-23AUG96



HP6541

638

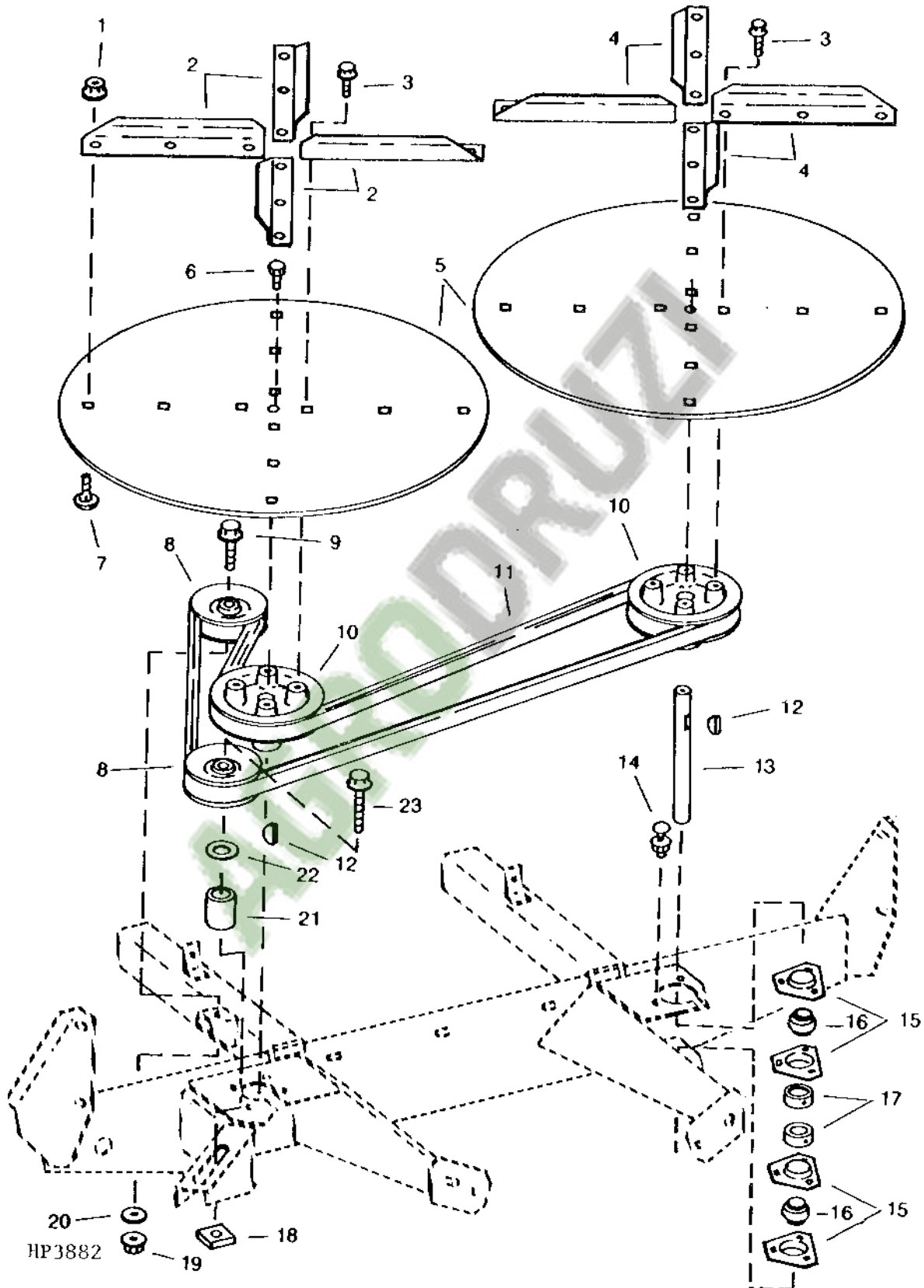
9G17

RESIDUE DISPOSAL

CHAFF SPREADER DISC (BELT TYPE)

(-650200)

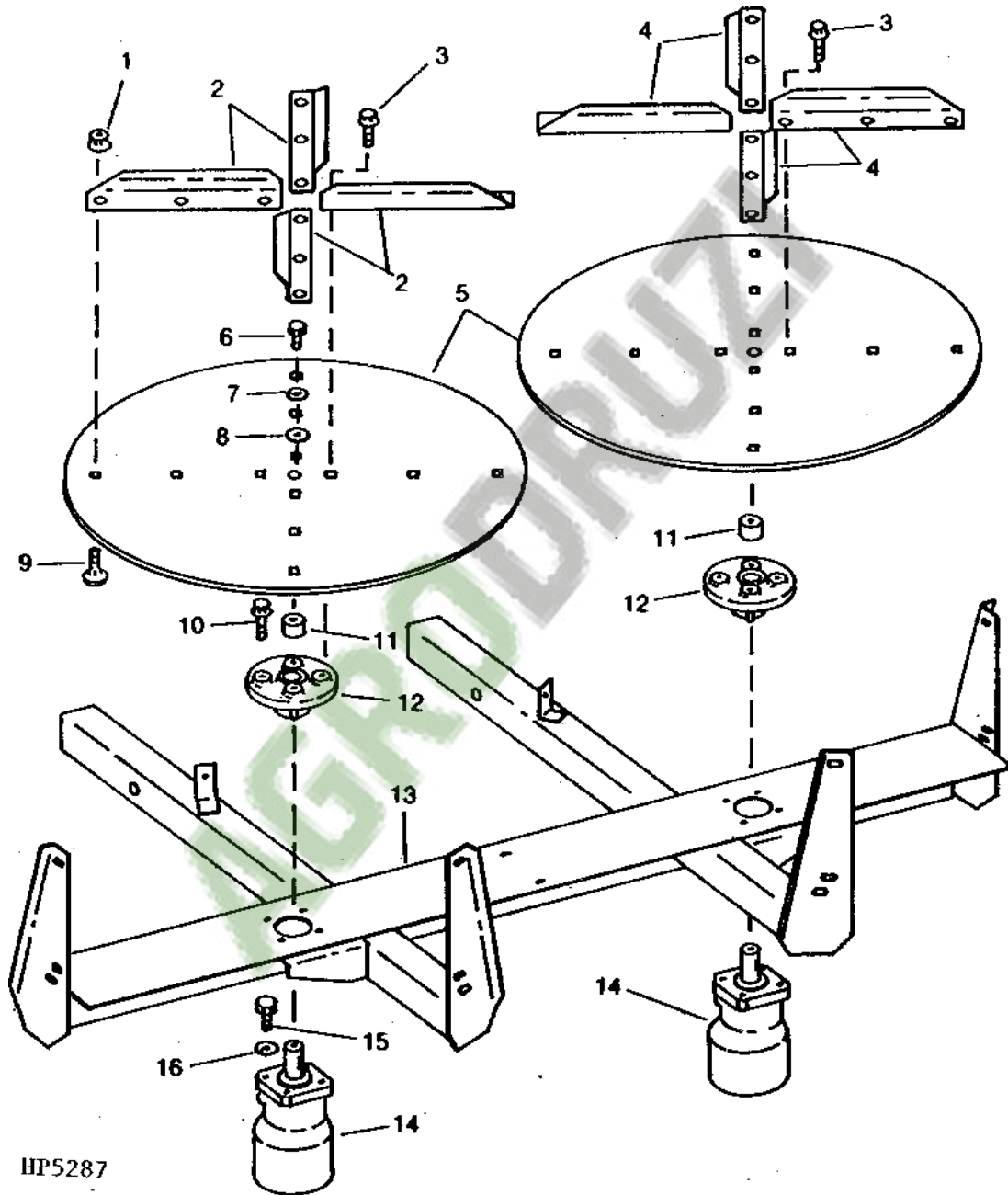
HP3882 -UN-01JAN94



9G19

CHAFF SPREADER DISC (DUAL MOTOR) AND FRAME

(650201-)
HP5287 -UN-01JAN94



HP5287

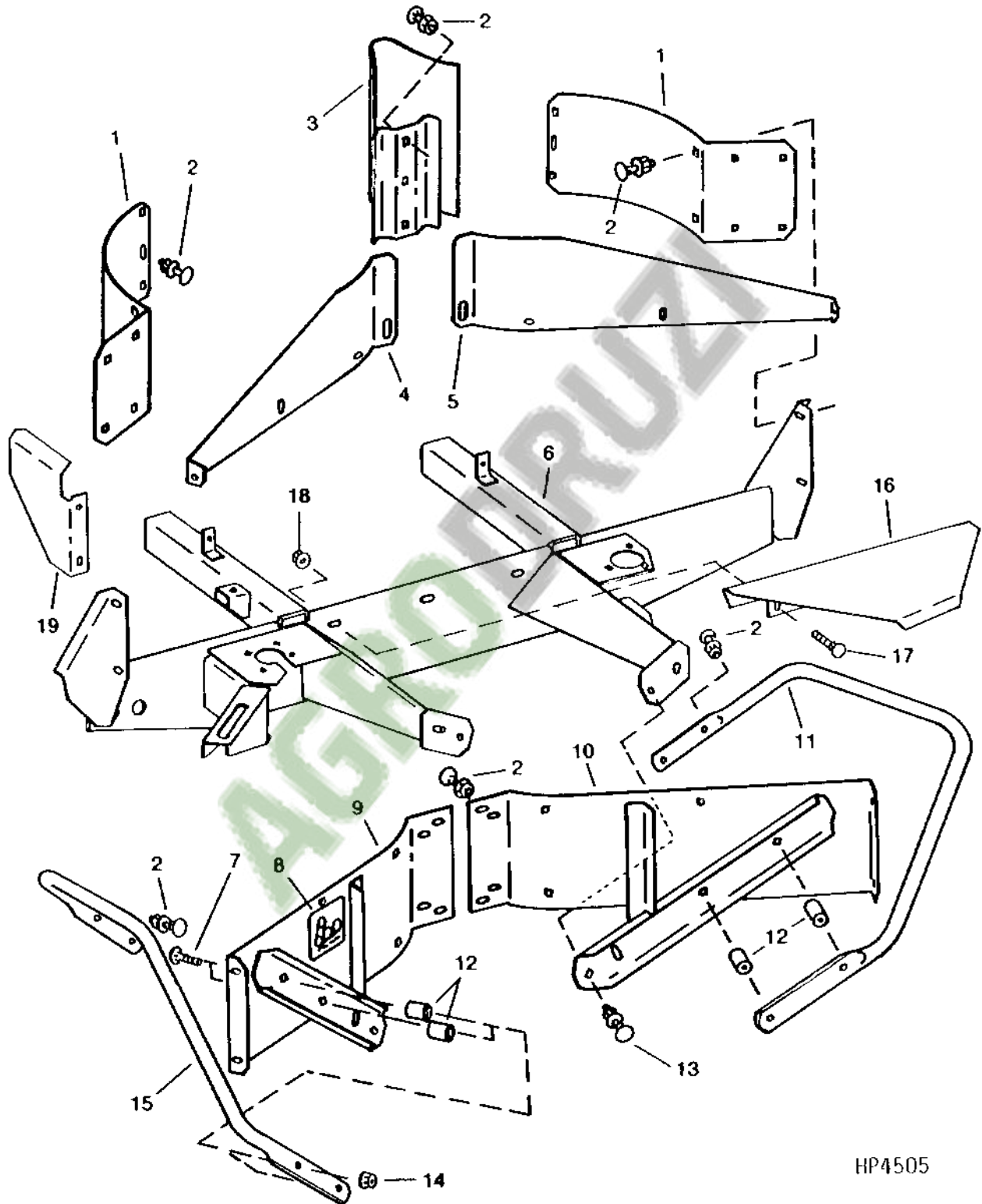
9G21

RESIDUE DISPOSAL

CHAFF SPREADER (BELT TYPE) FRAME, SHIELDS AND HANDLES

(-650200)

HP4505 -UN-01JAN94



HP4505

9G23

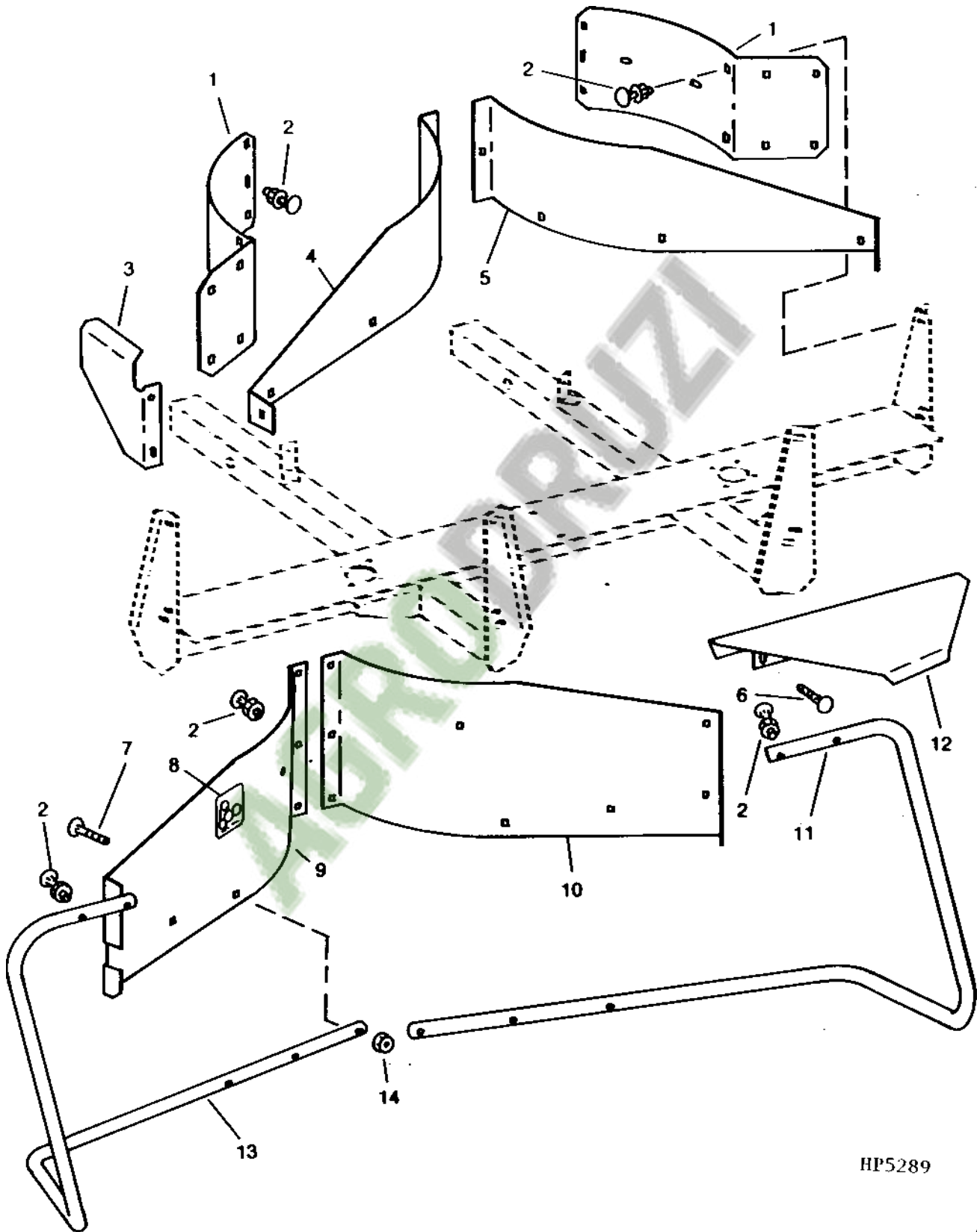
RESIDUE DISPOSAL

CHAFF SPREADER (DUAL MOTOR) SHIELDS AND HANDLES

(650201-655714)

HP5289

-UN-01JAN94

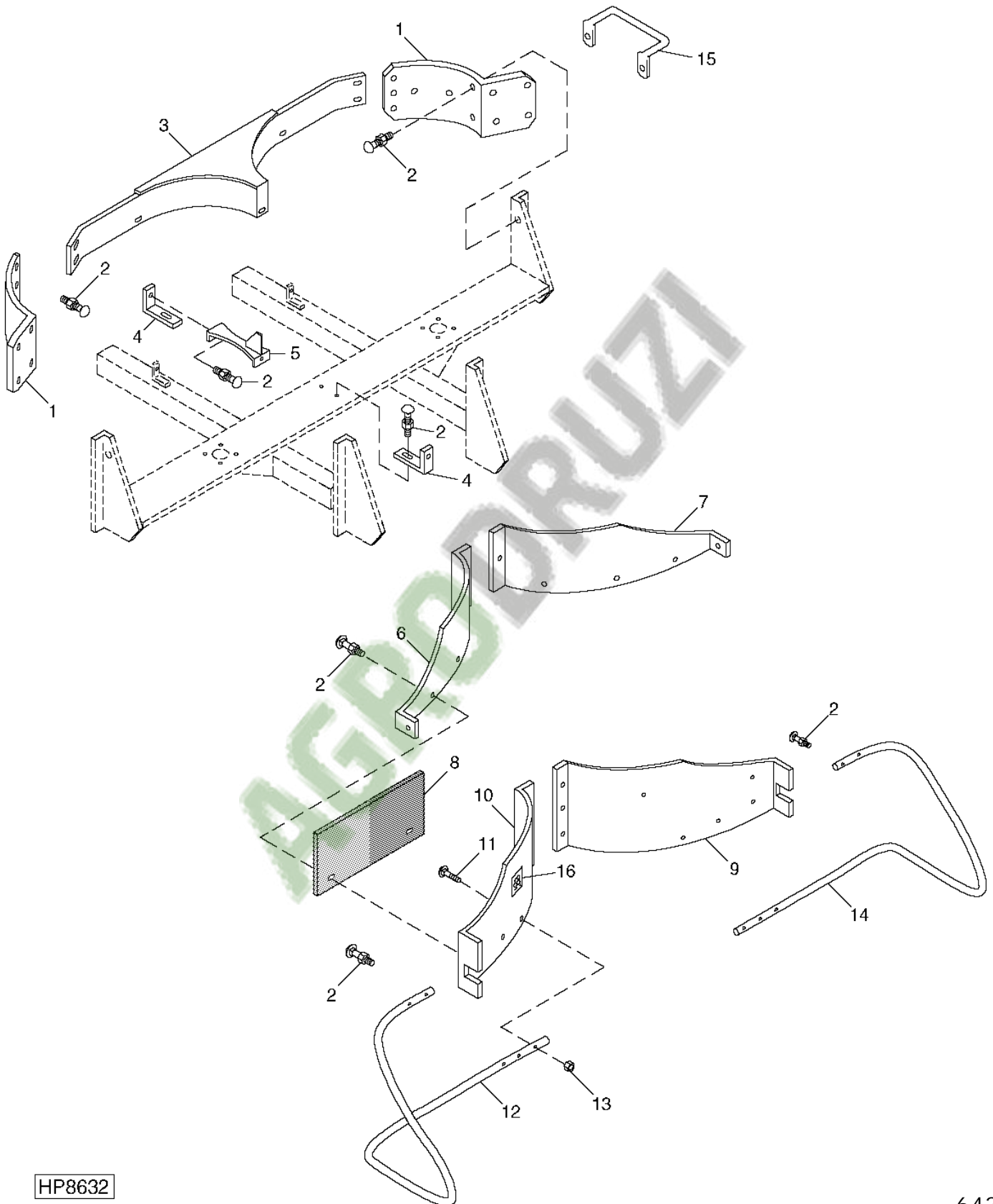


HP5289

9H1

CHAFF SPREADER (DUAL MOTOR) SHIELDS AND HANDLES

(655715-)
HP8632 -UN-23JUL99



HP8632

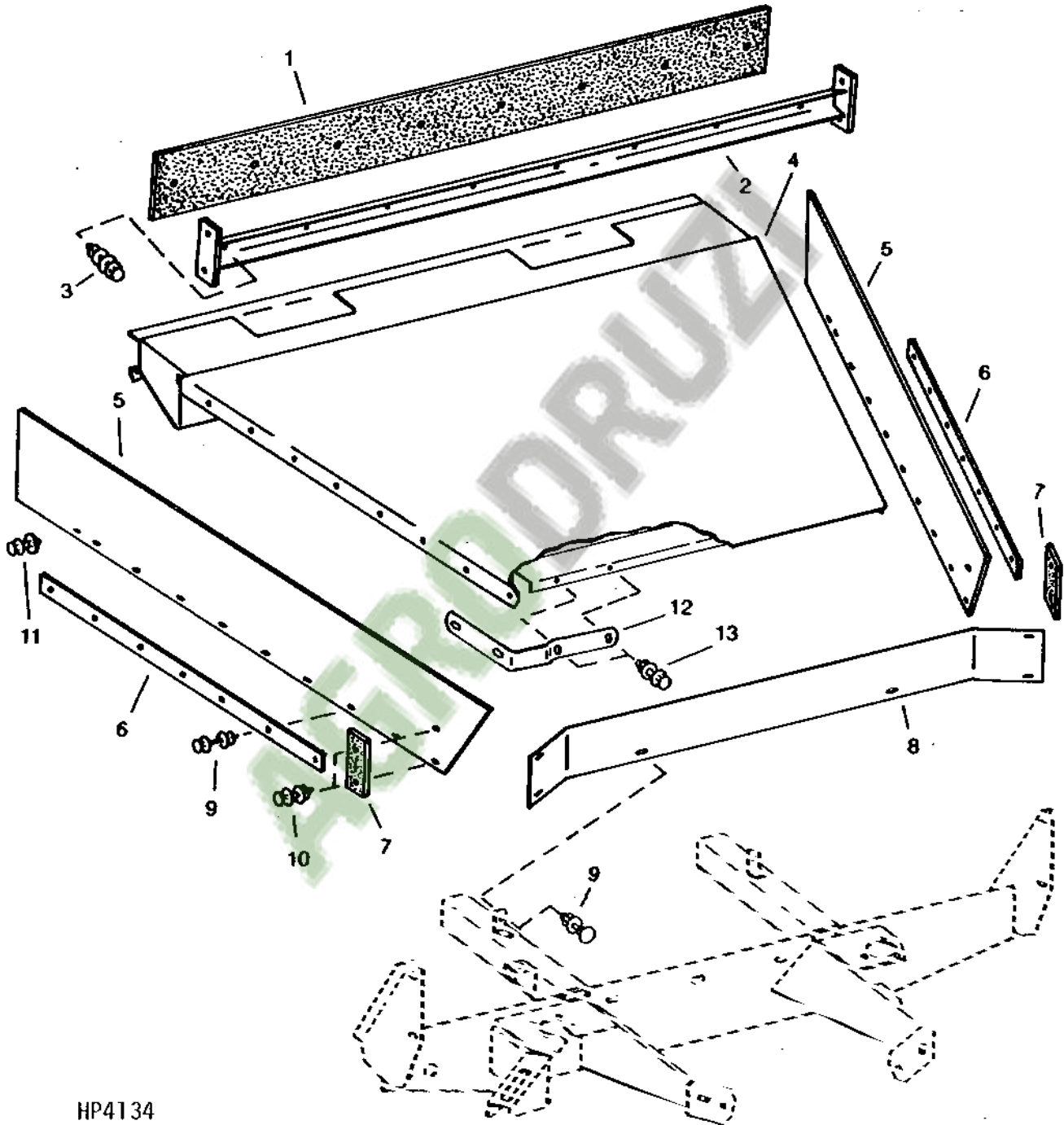
9H3

RESIDUE DISPOSAL

CHAFF SPREADER (BELT TYPE) PAN AND SEALS

(-650200)

HP4134 -UN-01JAN94



HP4134

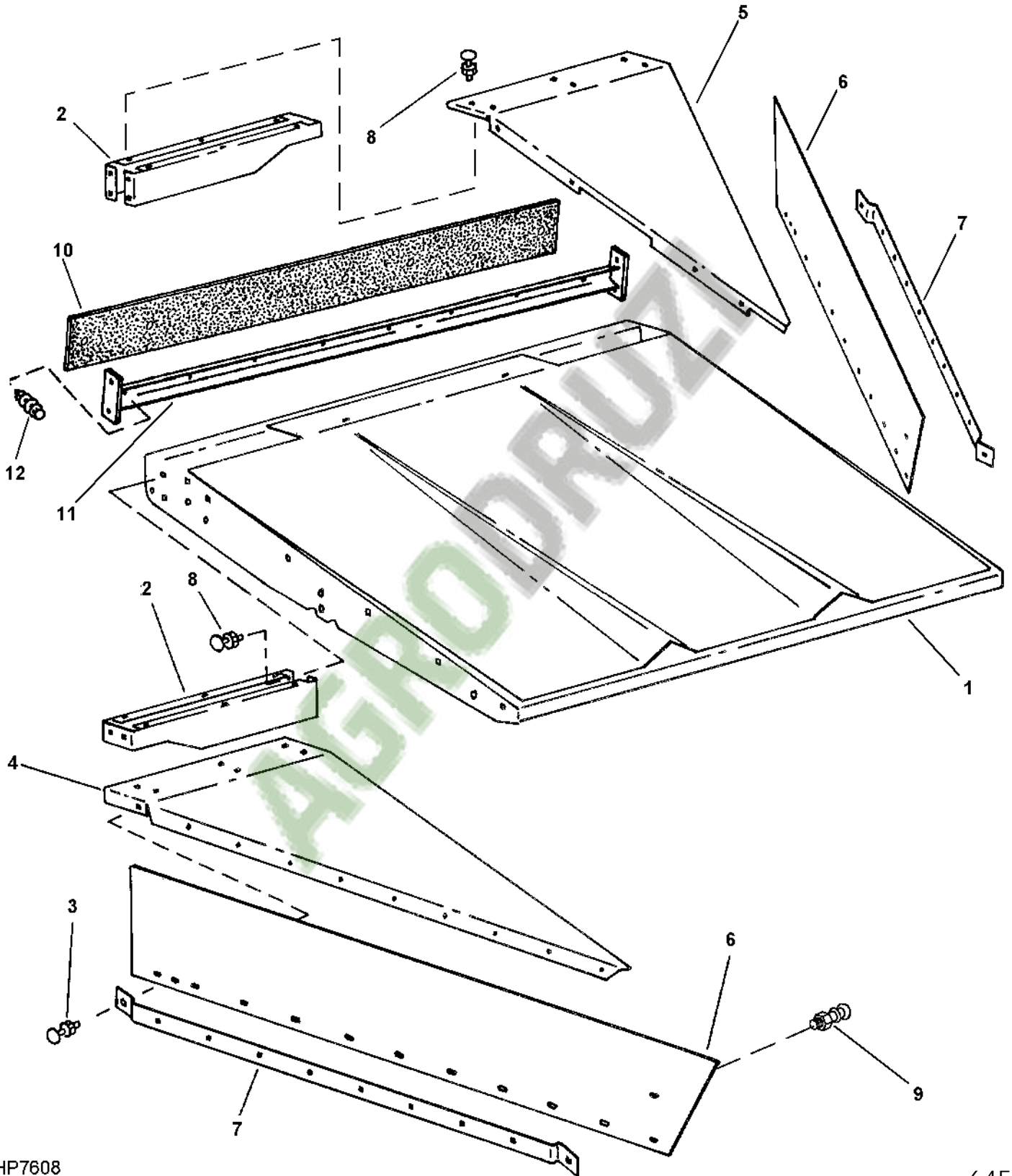
644

9H5

RESIDUE DISPOSAL

CHAFF SPREADER (DUAL MOTOR) PAN, WINGS AND SEALS

(650201-)
HP7608 -UN-31AUG98

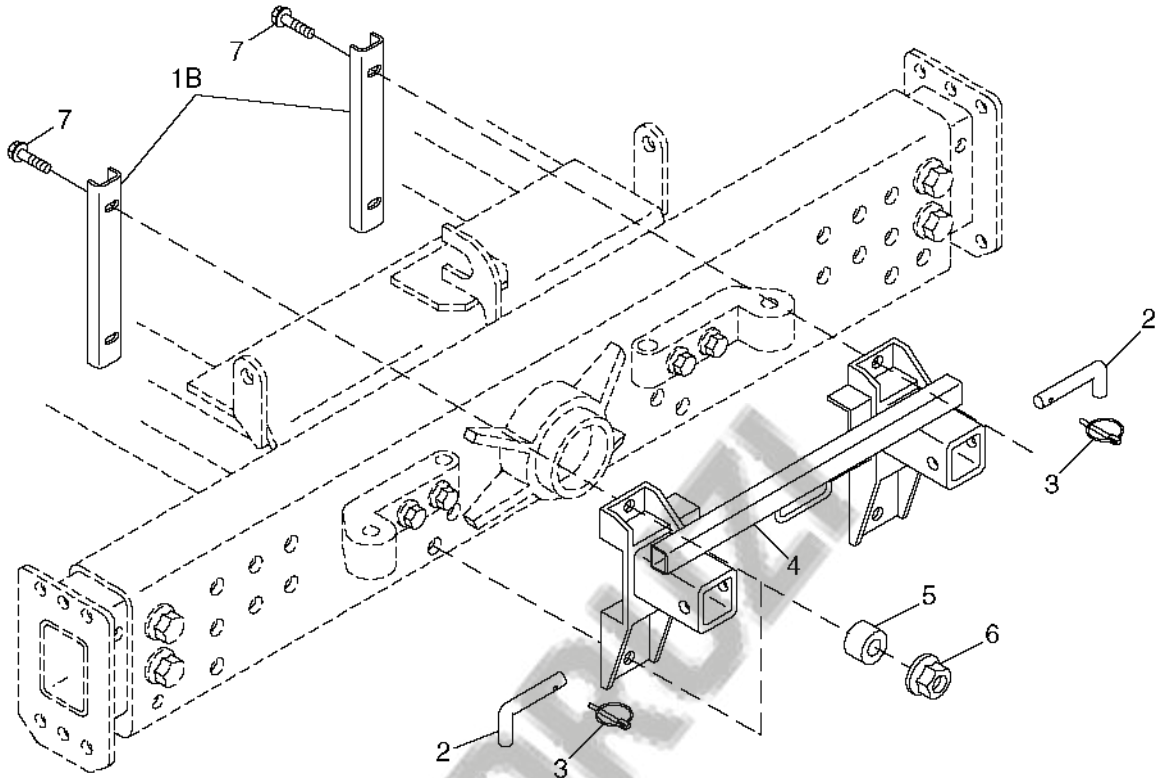
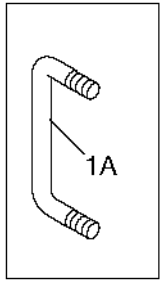


HP7608

645

9H7

CHAFF SPREADER MOUNTING SUPPORT
 HP9342 -UN-23NOV99



HP9342

KEY	PART NO.	PART NAME	QTY	SERIAL NO.	REMARKS
-----	----------	-----------	-----	------------	---------

S
H
9 9
5 5
0 0
0 0

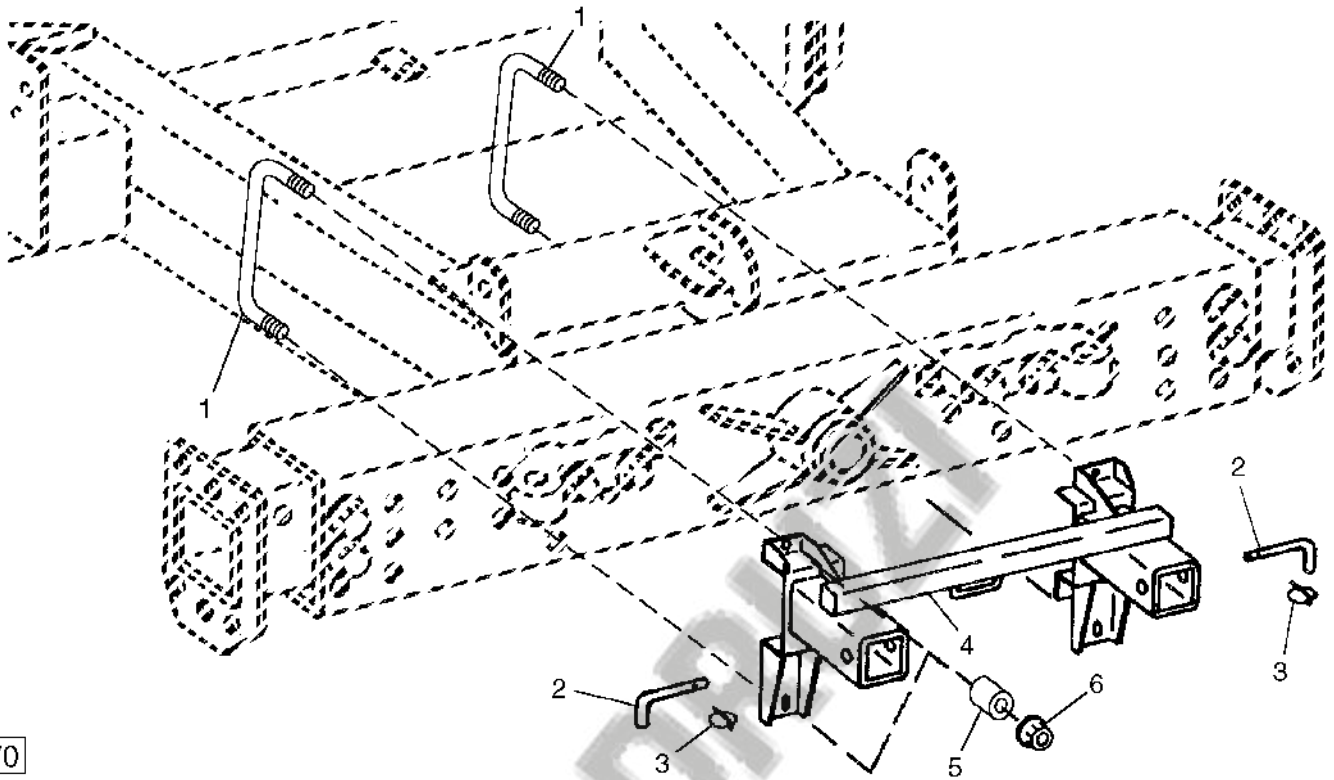
AGRODITA

9H8

CHAFF SPREADER MOUNTING SUPPORT

(SIDEHILL)

HP8270 -UN-22NOV99



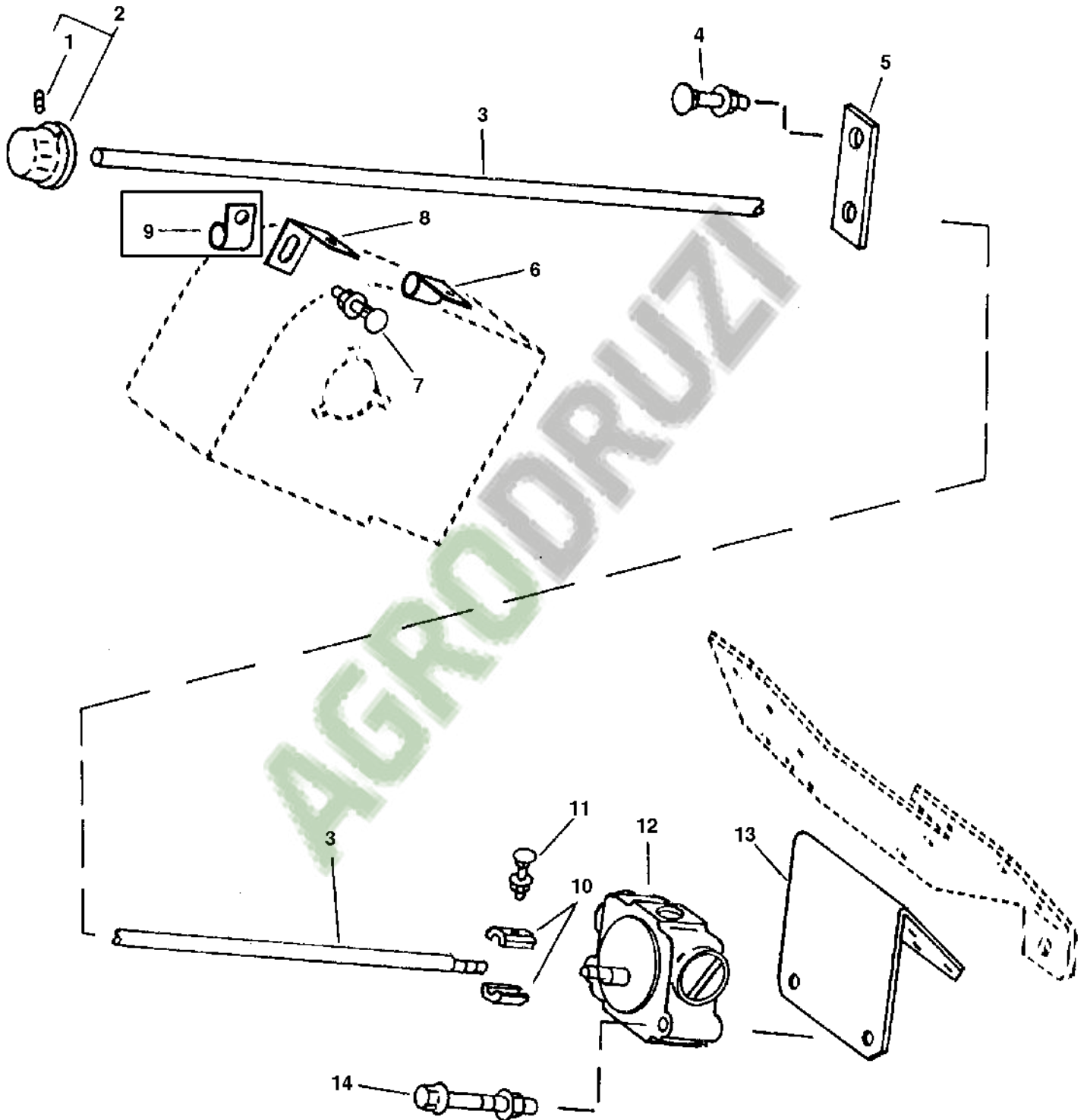
HP8270

KEY	PART NO.	PART NAME	QTY	SERIAL NO.	REMARKS
				S I 9 5 0 0	

9H9

RESIDUE DISPOSAL

CHAFF SPREADER CONTROL, CHECK VALVE, ROD AND KNOB
HP7209 -UN-17OCT97

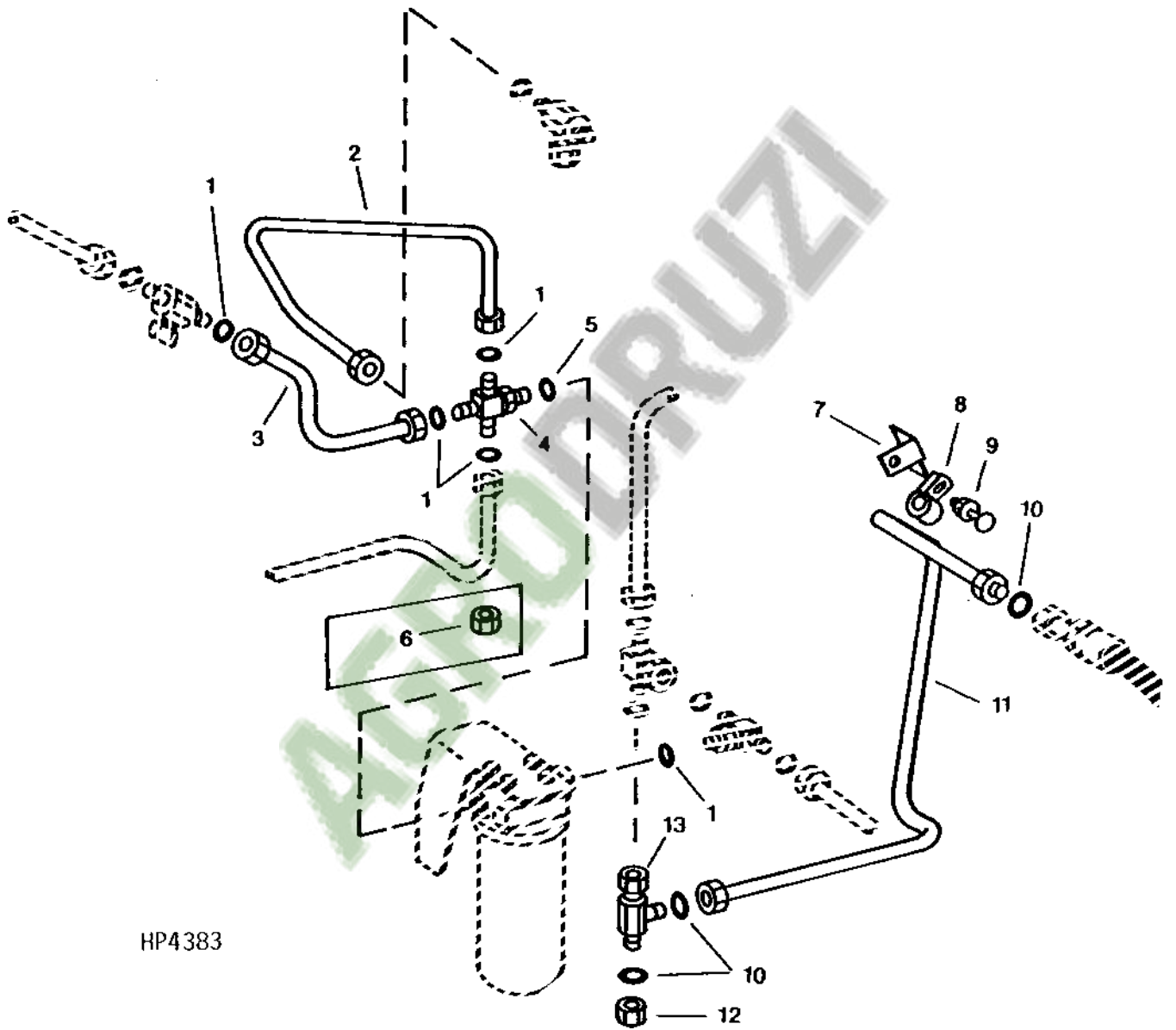


HP7209

648

9H11

CHAFF SPREADER LINES AND FITTINGS
HP4383 -UN-01JAN94

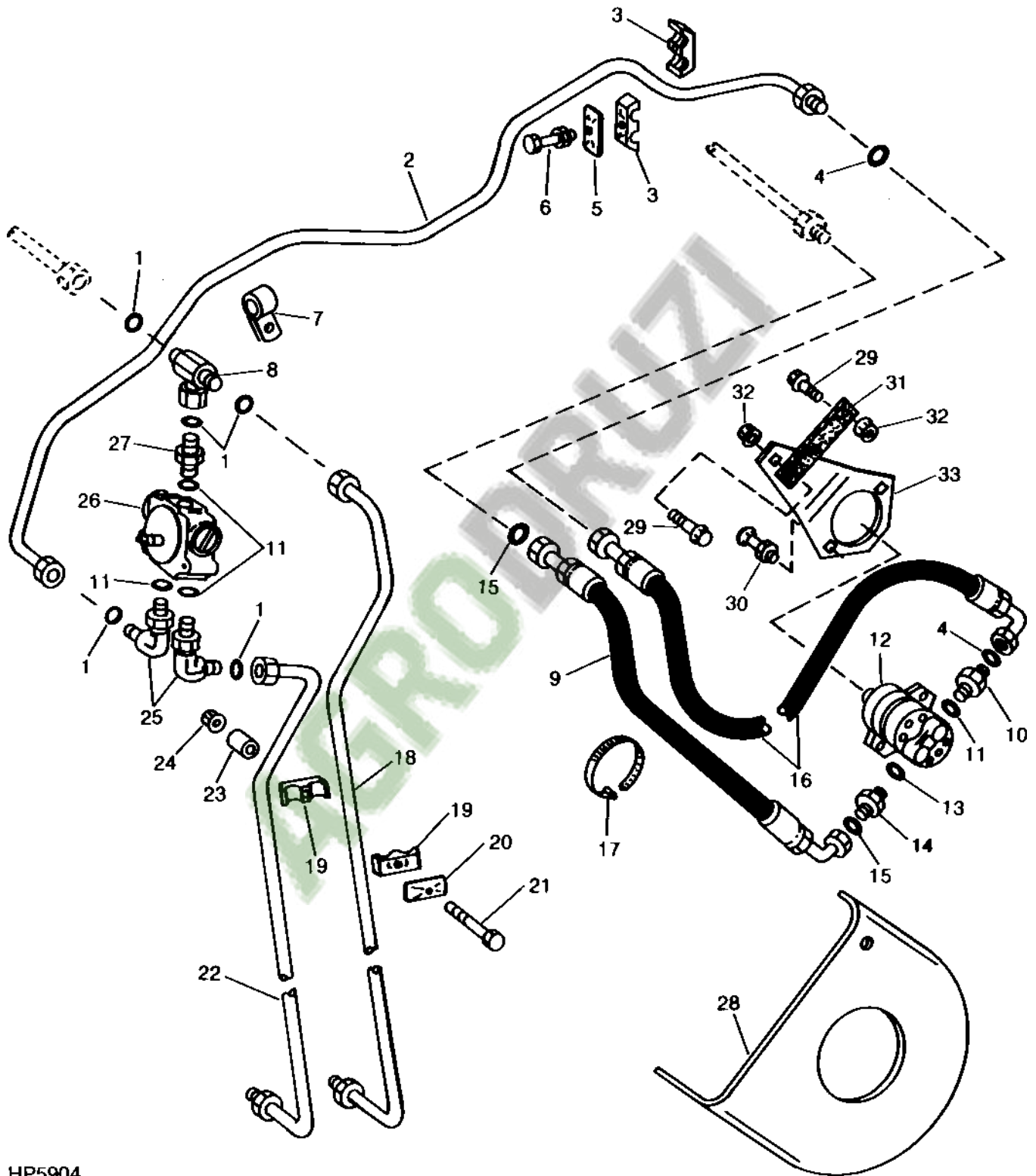


HP4383

9H13

RESIDUE DISPOSAL

CHAFF SPREADER LINES, HOSES, VALVE AND PUMP
HP5904 -UN-17DEC94



HP5904

650

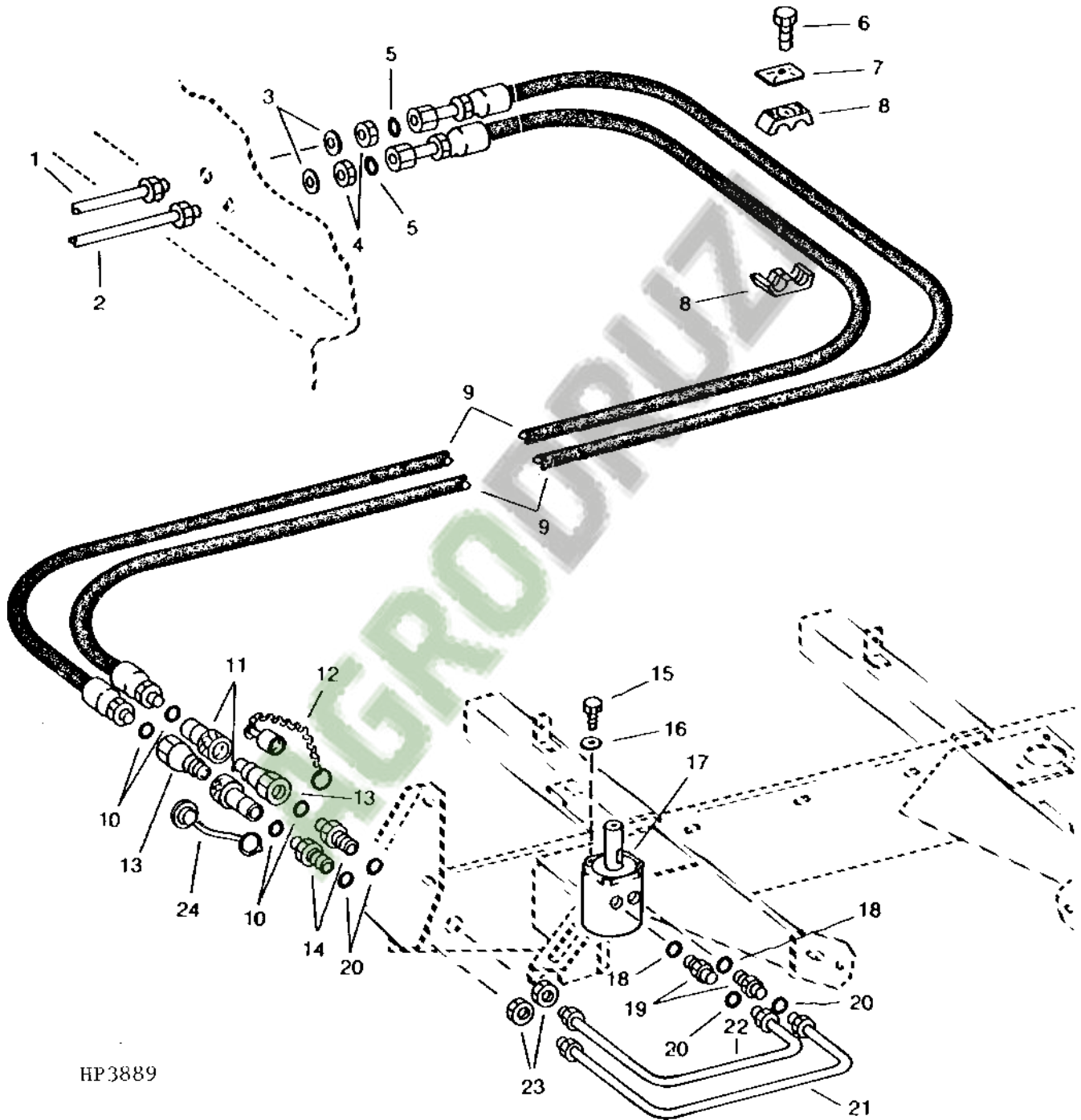
9H15

RESIDUE DISPOSAL

CHAFF SPREADER (BELT TYPE) HOSES, LINES AND MOTOR

(-650200)

HP3889 -UN-01JAN94



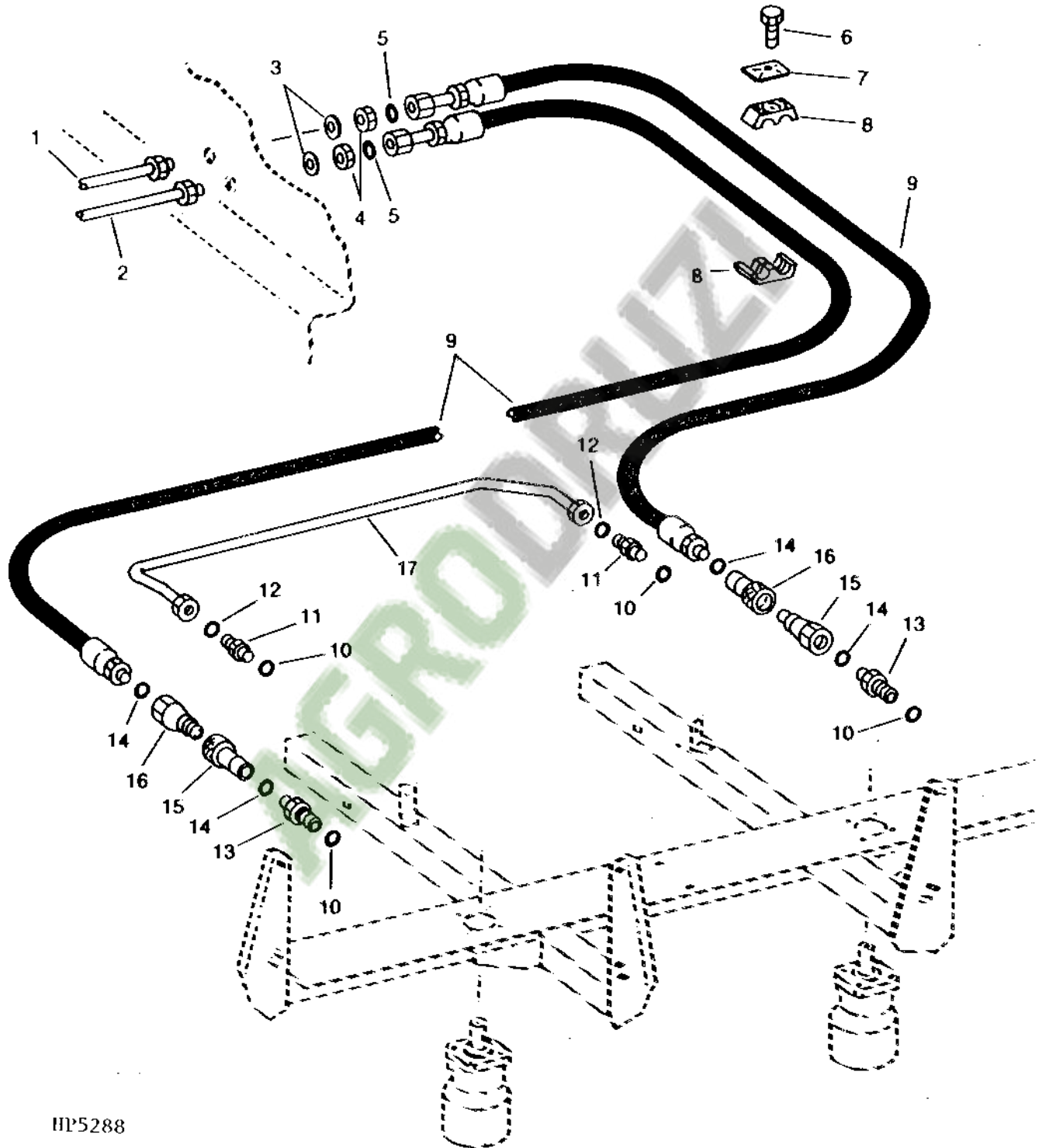
HP3889

9H17

RESIDUE DISPOSAL

CHAFF SPREADER (DUAL MOTOR) HOSES AND LINES

(650201-)
HP5288 -UN-01JAN94

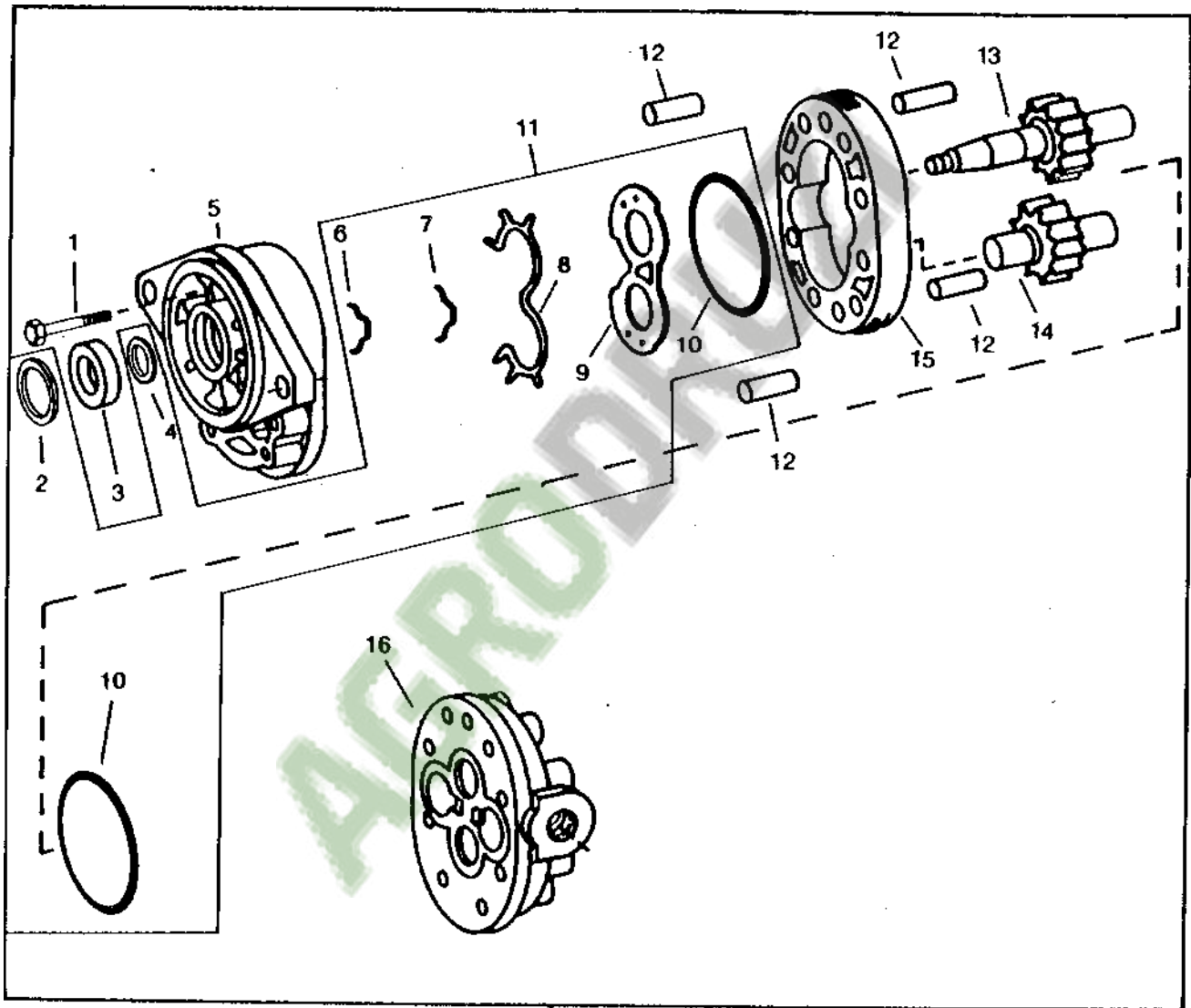


HP5288

9H19

RESIDUE DISPOSAL

CHAFF SPREADER PUMP
HP5085 -UN-01JAN94

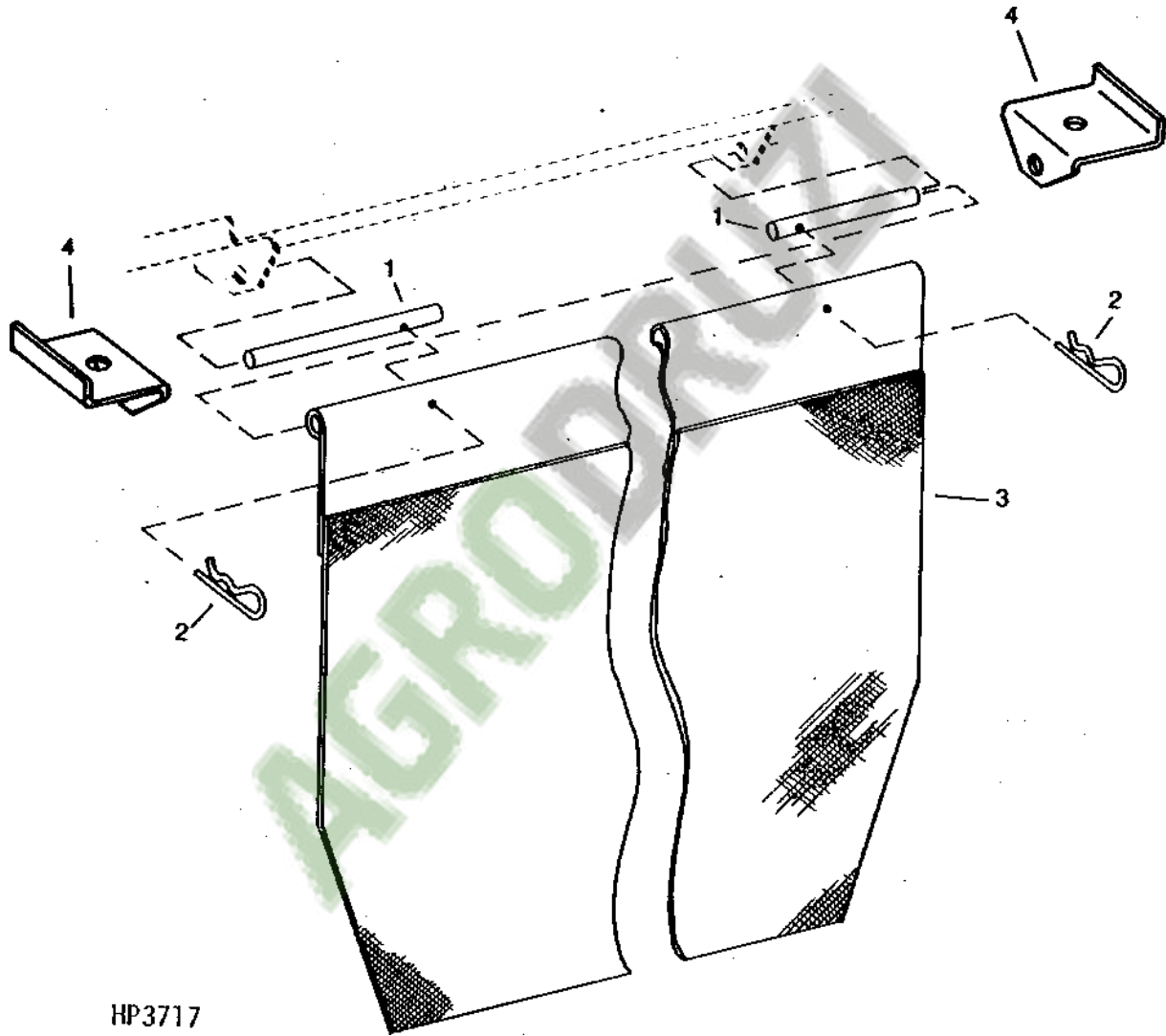


HP5085

17

9H21

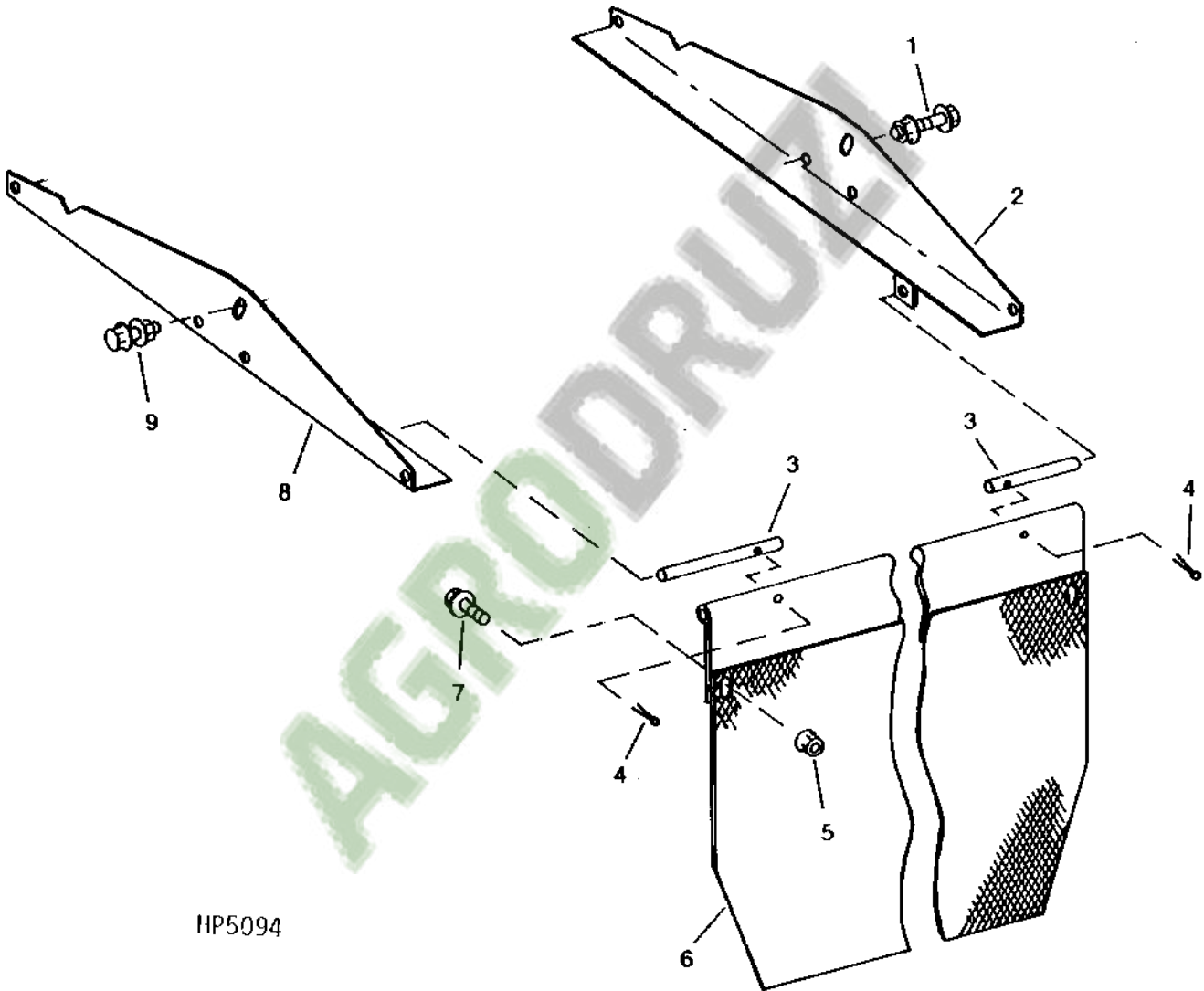
SPREADER CURTAIN (-641680)
HP3717 -UN-01JAN94



HP3717

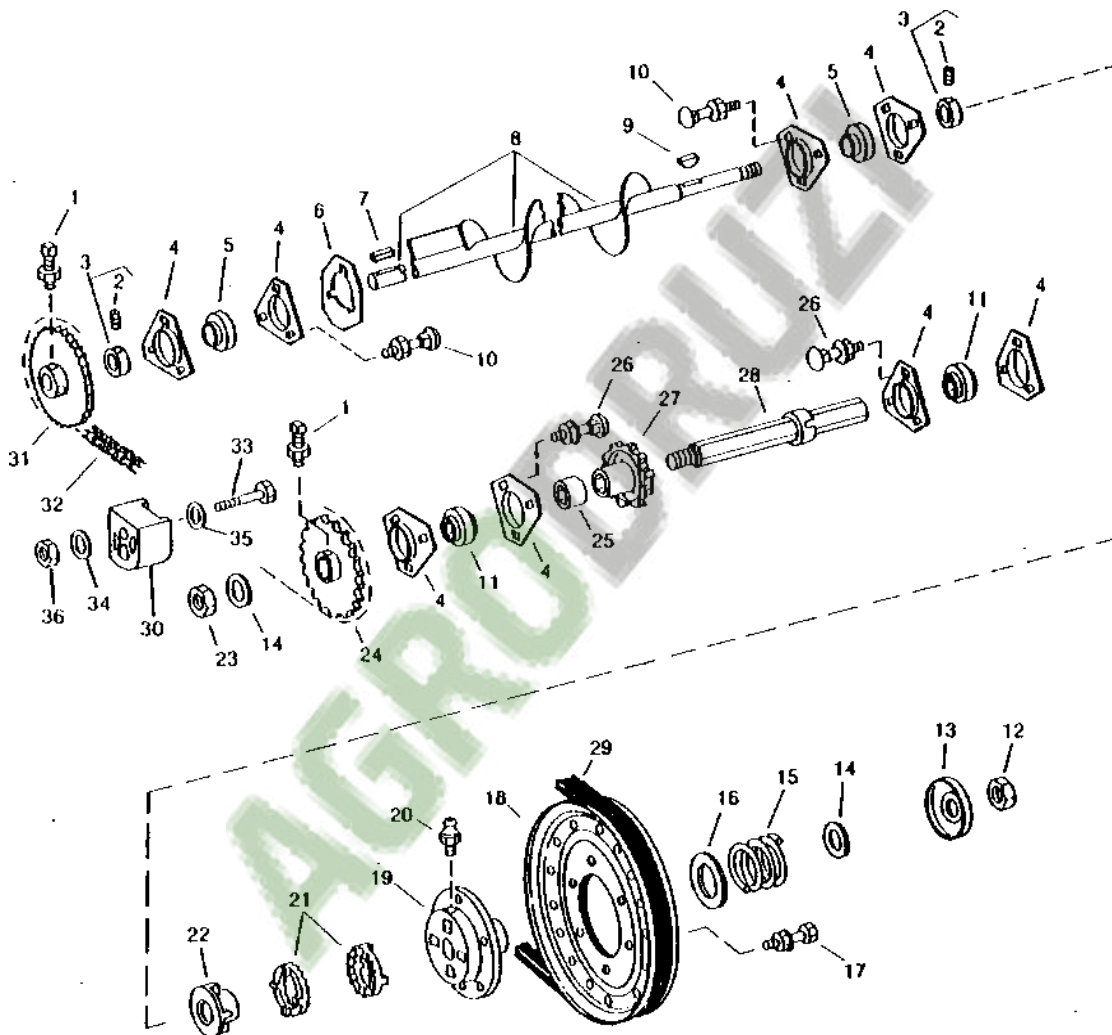
9H23

SPREADER CURTAIN (641681-)
HP5094 -UN-01JAN94



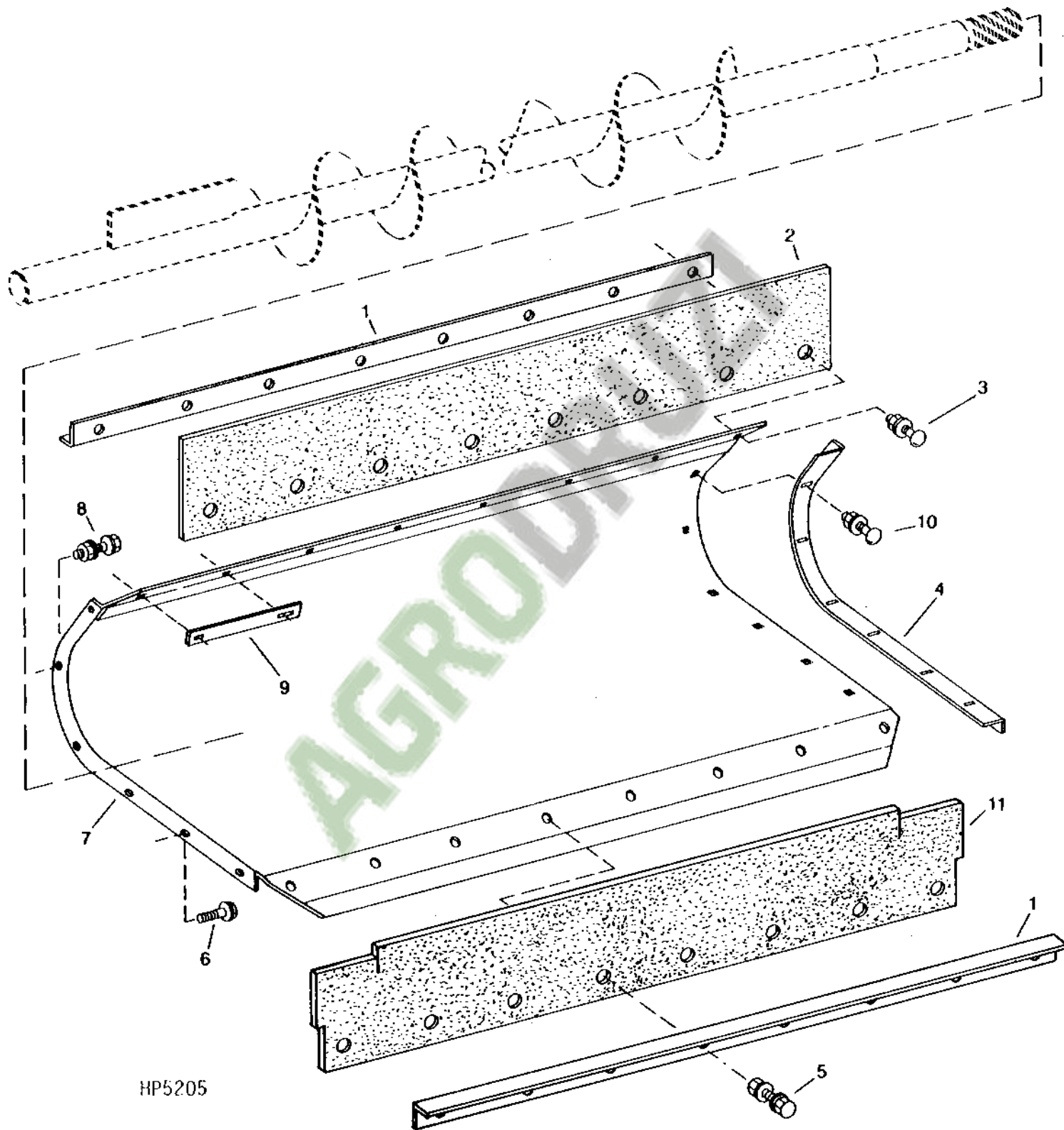
HP5094

LOWER TAILINGS AUGER, SHAFT AND TIGHTENER
HP5817 -UN-01JAN94



HP5817

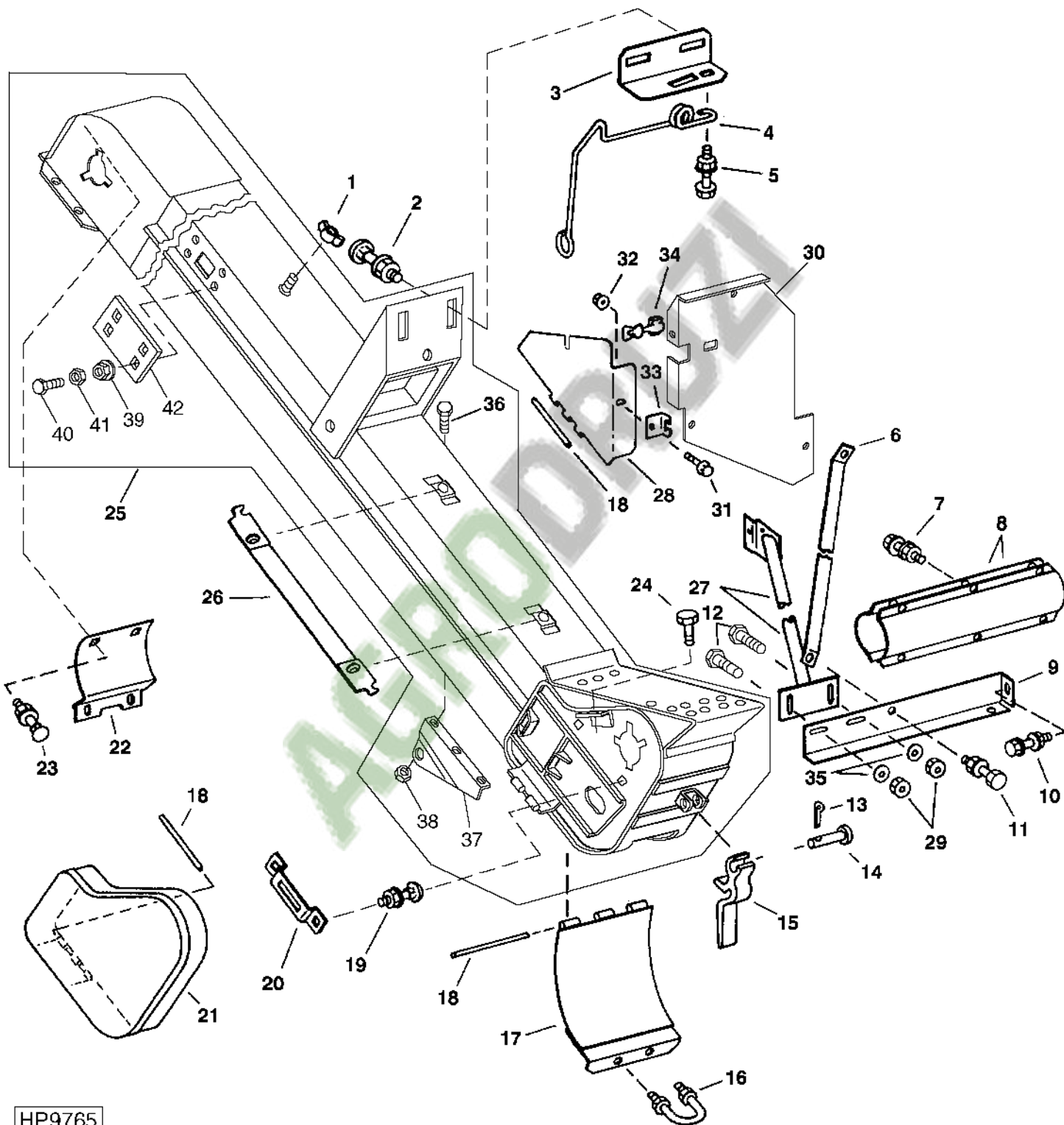
LOWER TAILINGS AUGER TROUGH
HP5205 -UN-01JAN94



HP5205

657

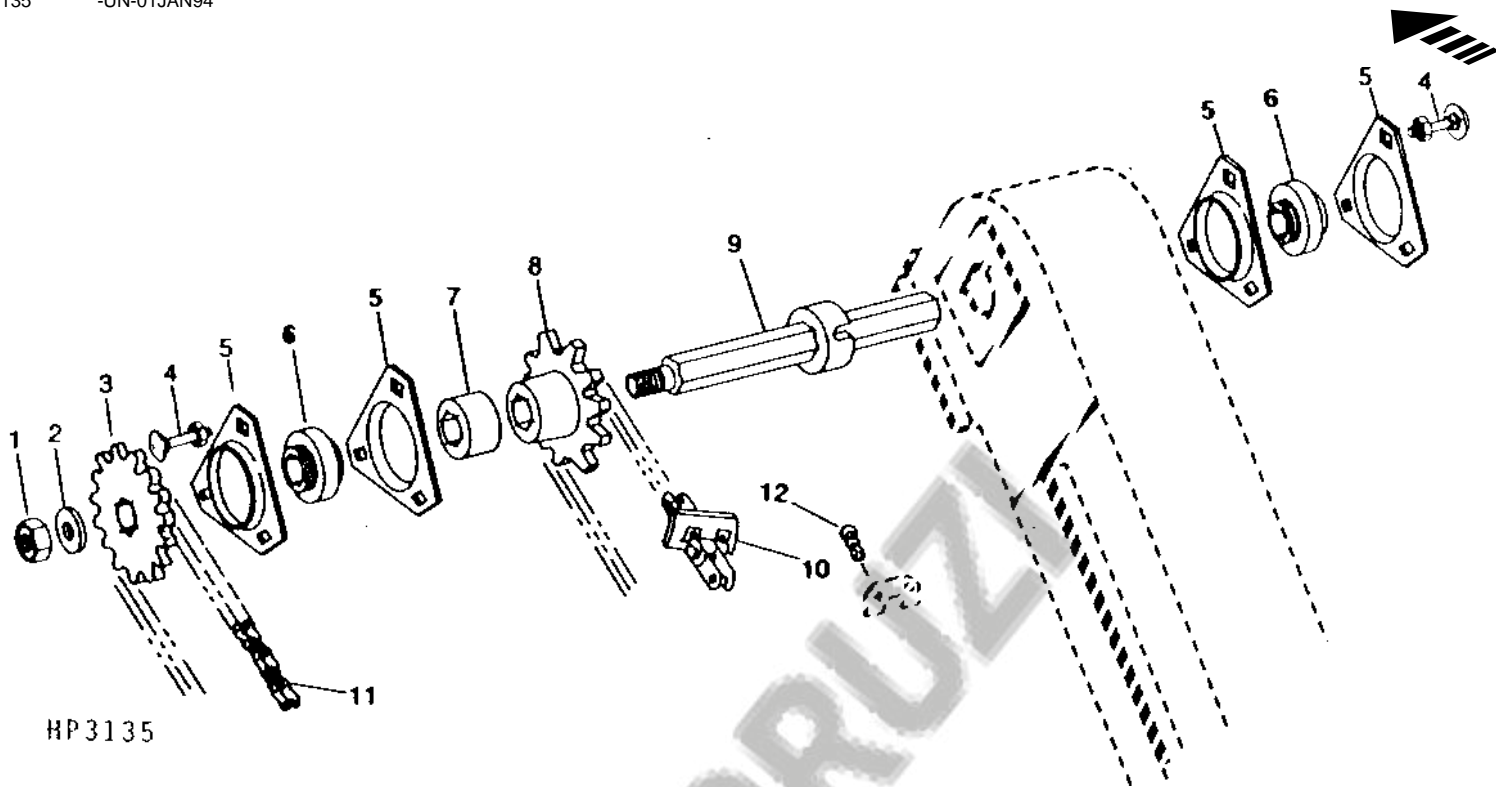
TAILINGS ELEVATOR HOUSING
HP9765 -UN-24MAY00



HP9765

TAILINGS ELEVATOR CONVEYOR CHAIN, SPROCKETS AND BEARINGS

HP3135 -UN-01JAN94



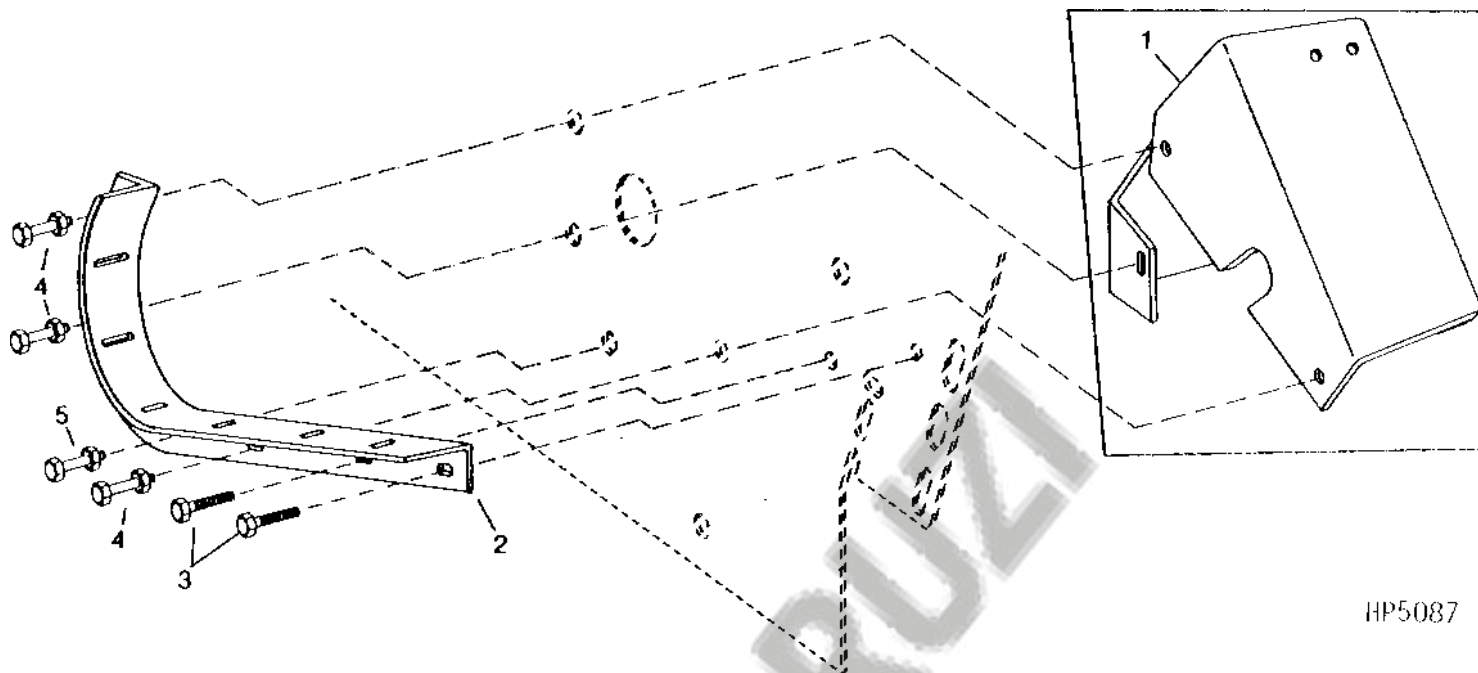
HP3135

KEY	PART NO.	PART NAME	QTY	SERIAL NO.	REMARKS
				S	
				H	
				9	
				5	
				0	
				0	

AGRODRUZI

LOWER TROUGH SUPPORT AND TAILINGS DRIVE BRACKET

HP5087 -UN-01JAN94



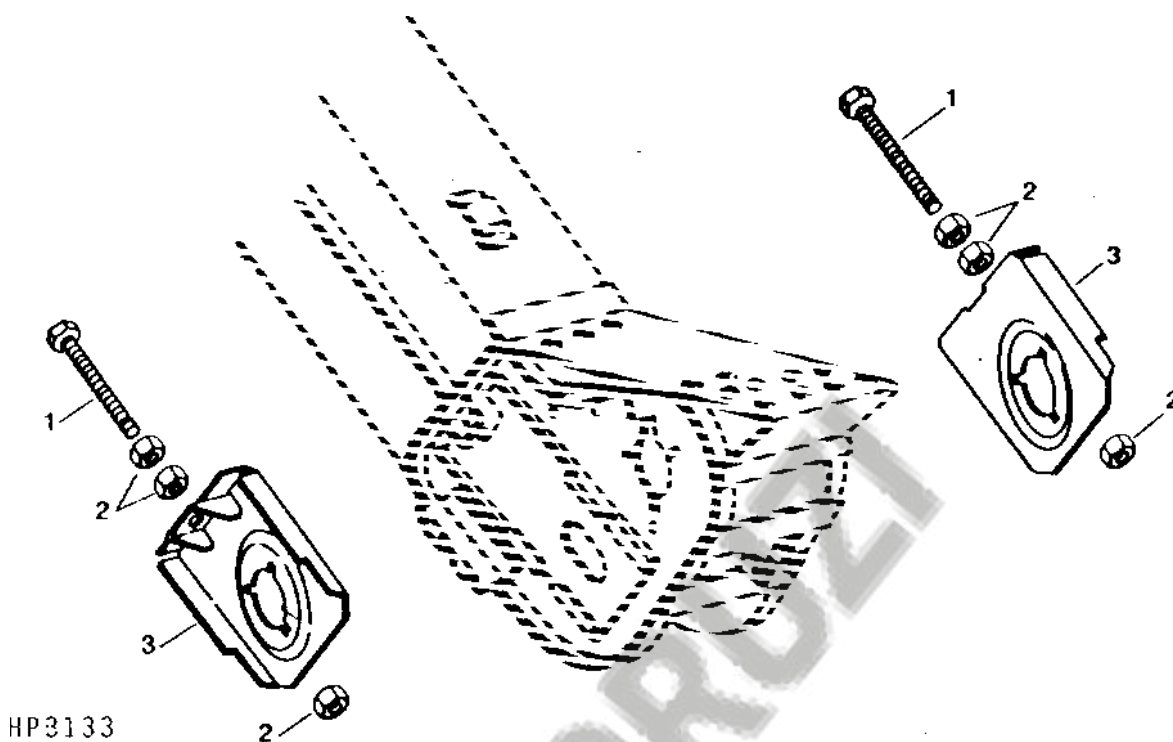
HP5087

KEY	PART NO.	PART NAME	QTY	SERIAL NO.	REMARKS
				S	
				H	
				9 9	
				5 5	
				0 0	
				0 0	

AGRODRIVE

LOWER TAILINGS AUGER CHAIN TIGHTENER

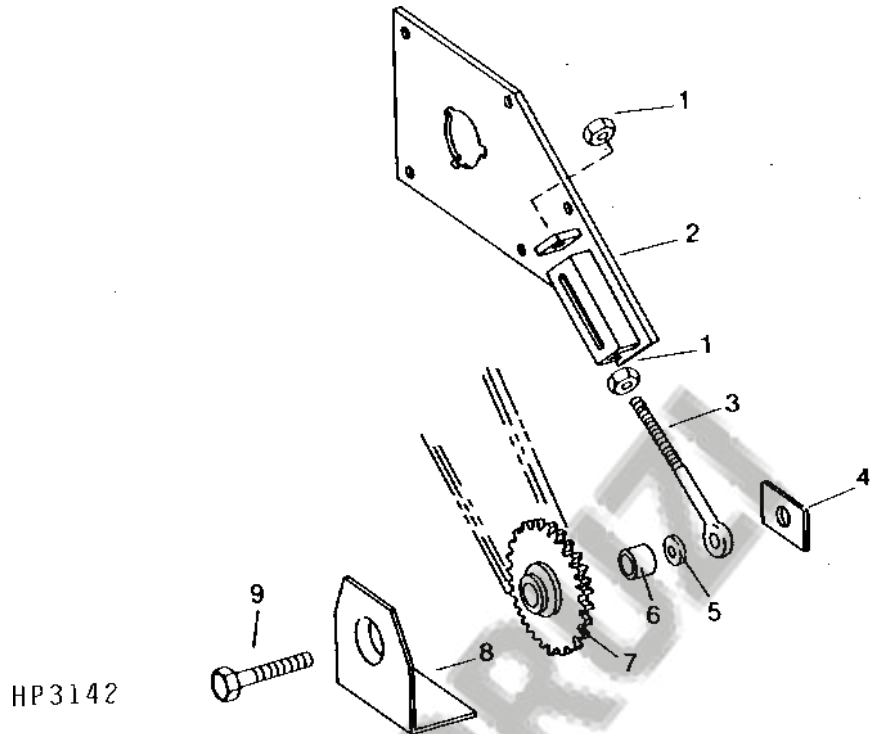
HP3133 -UN-01JAN94



AGRODRILL

KEY	PART NO.	PART NAME	QTY	SERIAL NO.	REMARKS
				S	
				H	
				9	
				5	
				0	
				0	

UPPER TAILINGS DRIVE CHAIN TIGHTENER
 HP3142 -UN-01JAN94



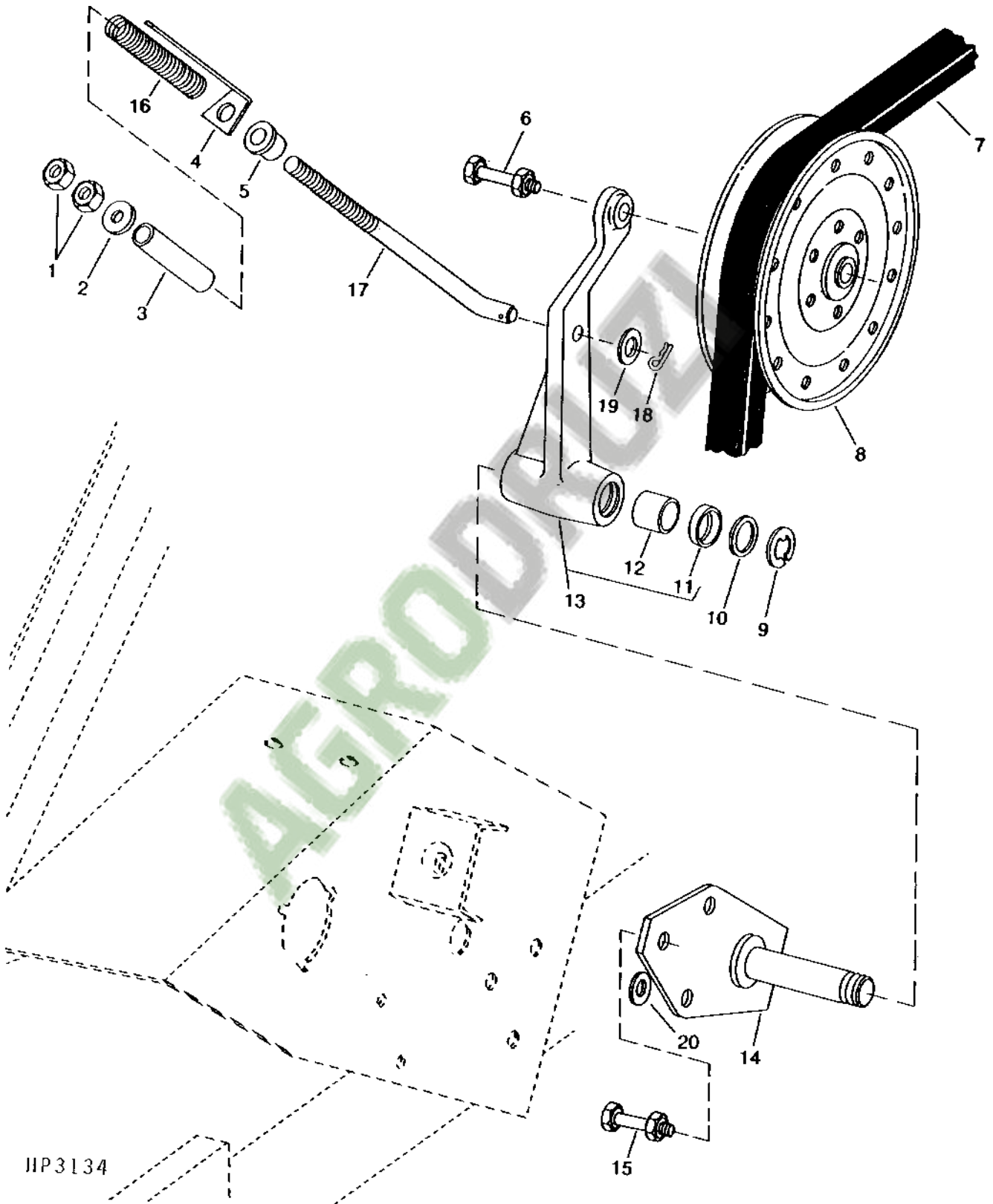
HP3142

KEY	PART NO.	PART NAME	QTY	SERIAL NO.	REMARKS
				S	
				H	
				9 9	
				5 5	
				0 0	
				0 0	

AGRODRIVE

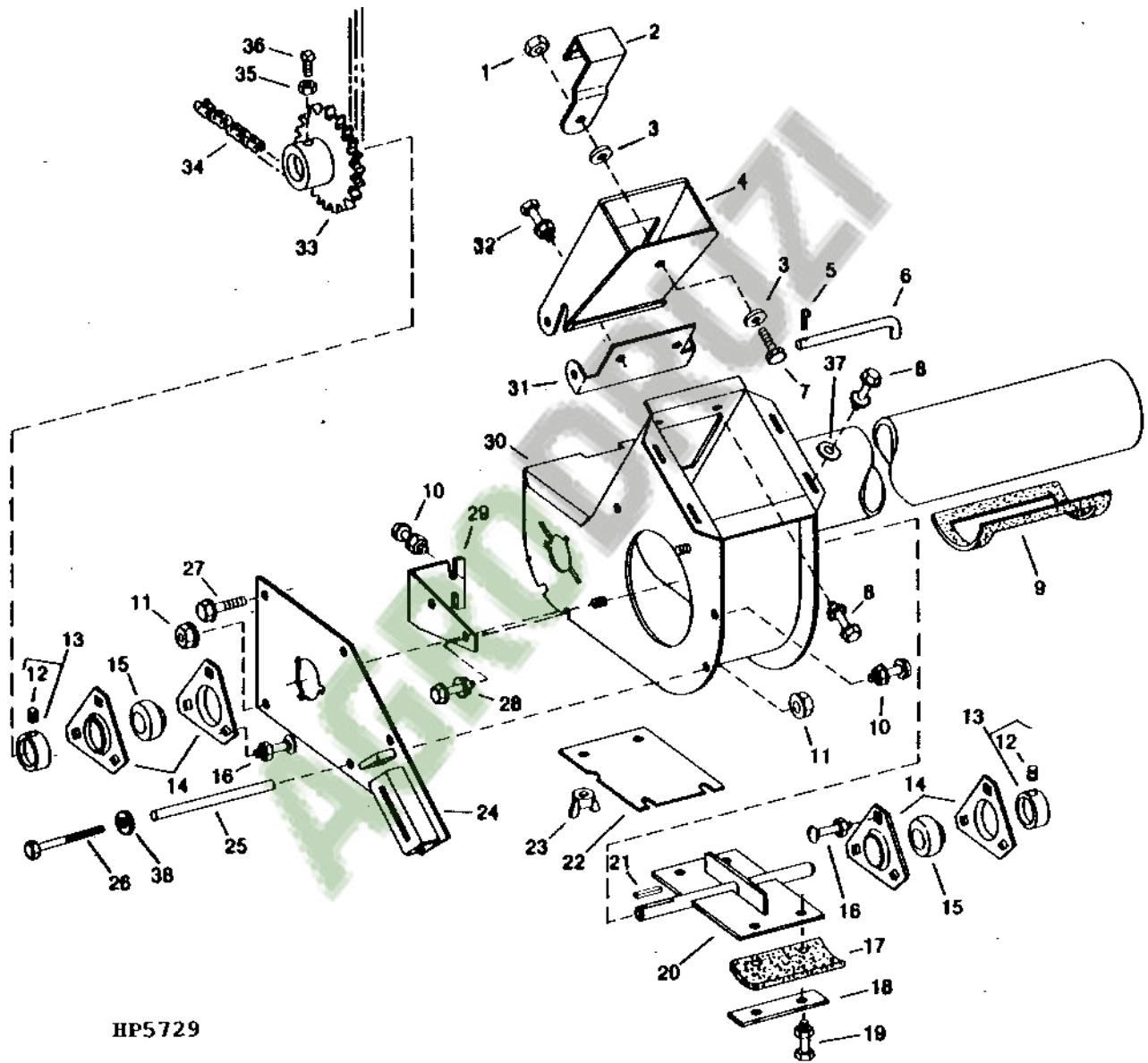
LOWER TAILINGS AUGER DRIVE TIGHTENER

HP3134 -UN-01JAN94



HP3134

UPPER TAILINGS AUGER HOUSING AND PADDLE ASSEMBLY
HP5729 -UN-01JAN94

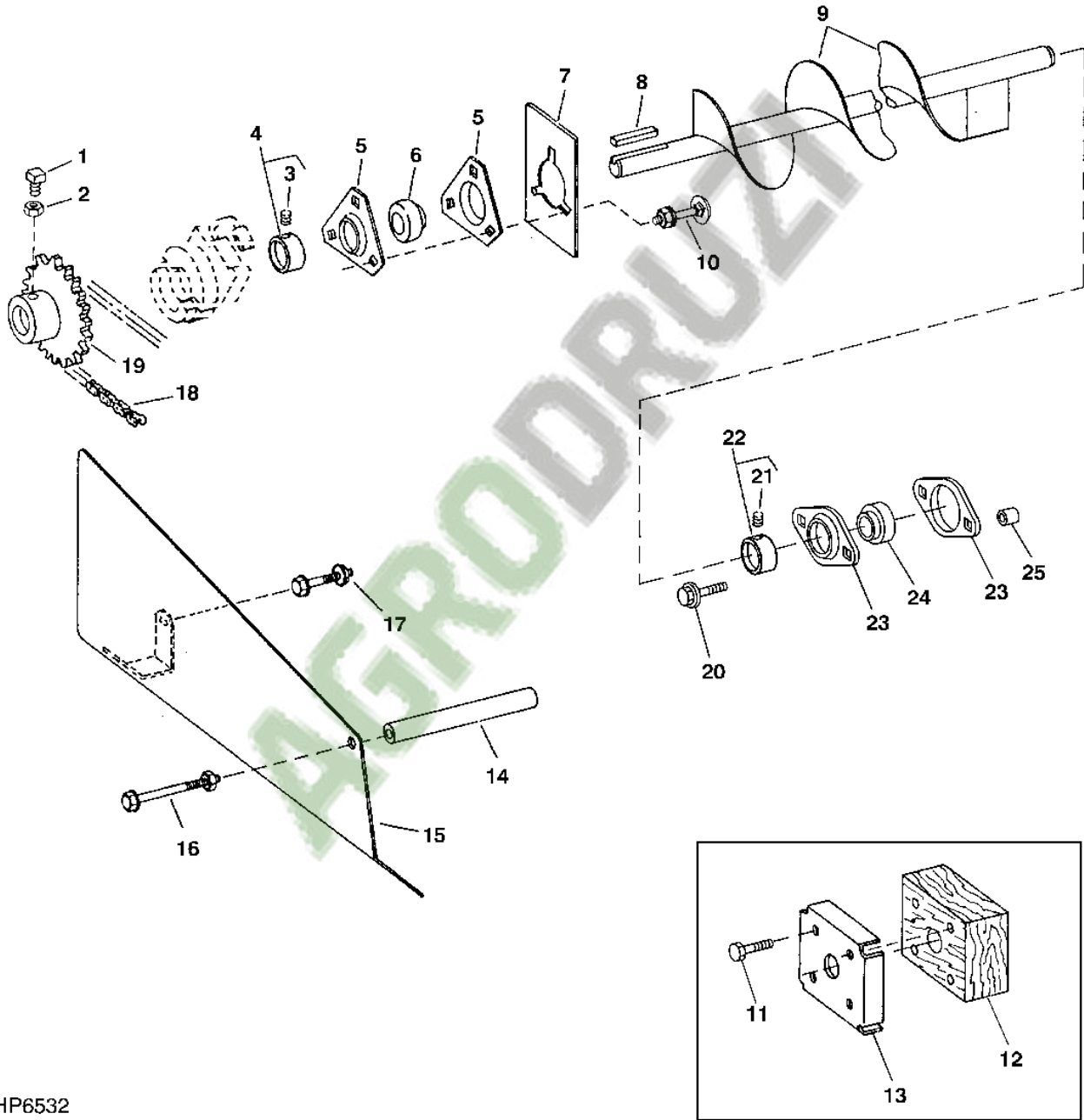


HP5729

9115

RESIDUE DISPOSAL

UPPER TAILINGS AUGER, DRIVE AND SHIELD
HP6532 -UN-23AUG96

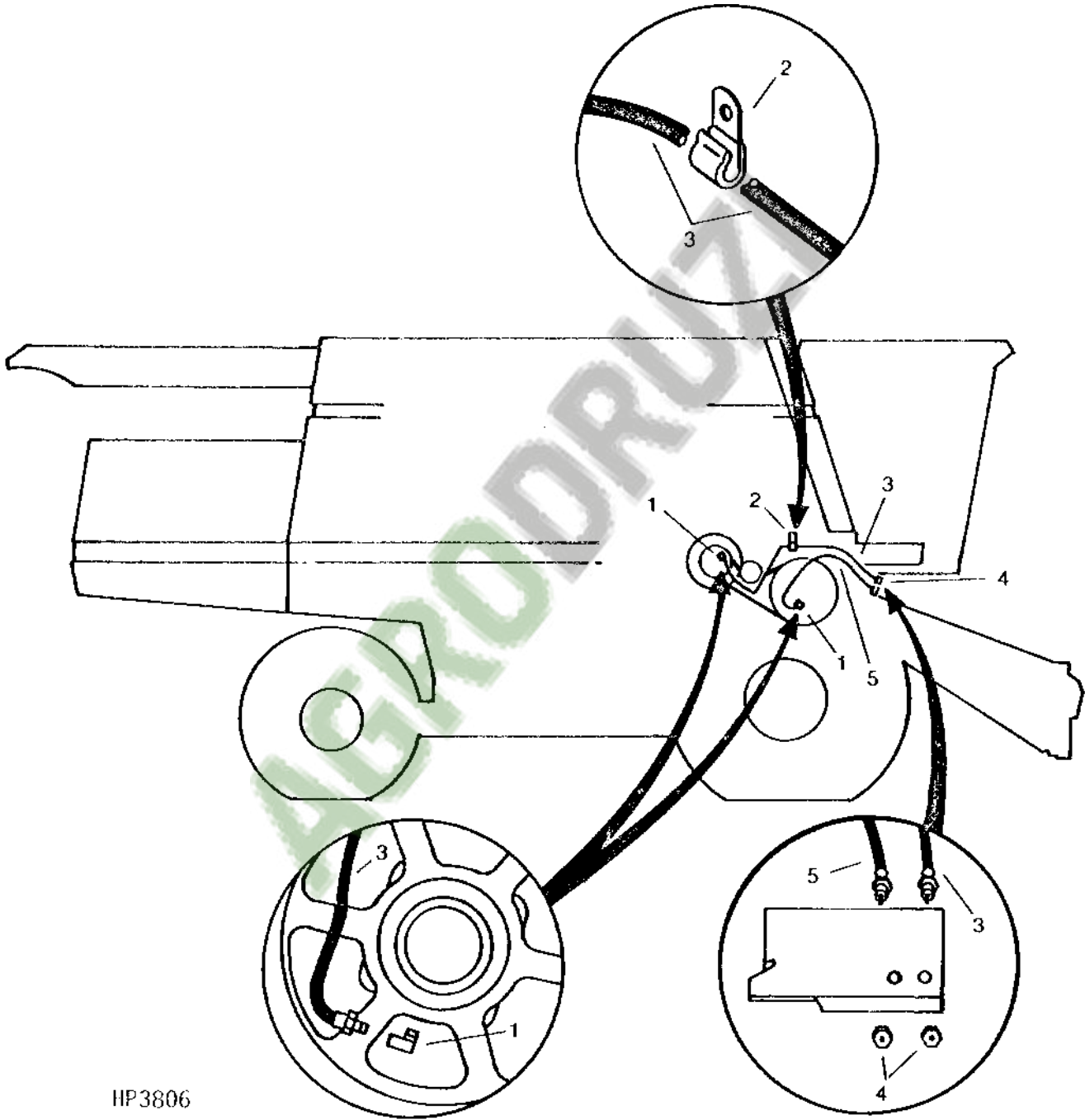


HP6532

9117

RESIDUE DISPOSAL

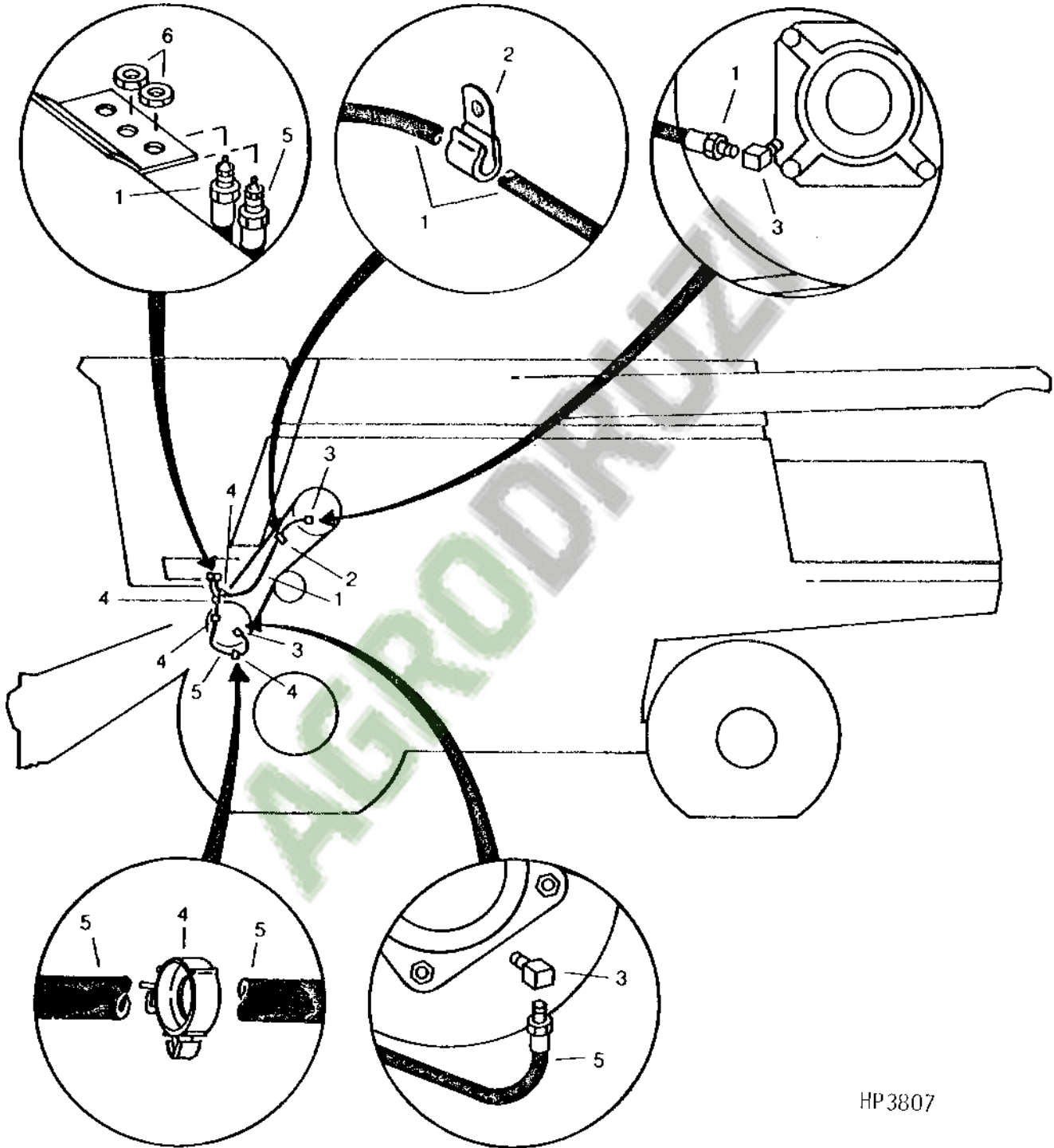
LUBE HOSES, R.H.
HP3806 -UN-01JAN94



HP3806

666

LUBE HOSES, L.H.
HP3807 -UN-01JAN94

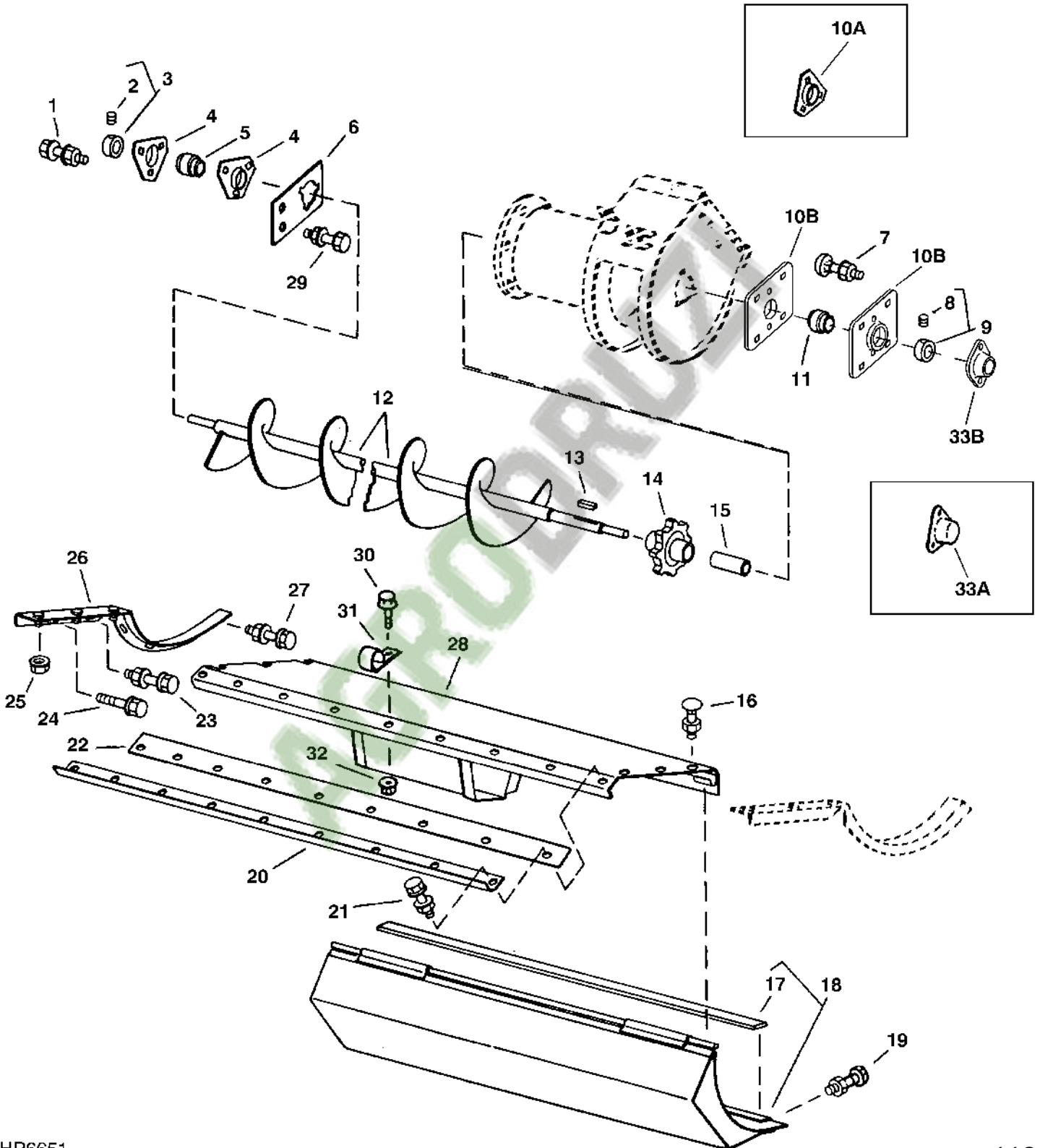


HP3807

10C4

CLEAN GRAIN ELEVATOR, GRAIN TANK AND UNLOADING AUGER

CLEAN GRAIN LOWER AUGER AND HINGED DOOR
HP6651 -UN-07MAR97



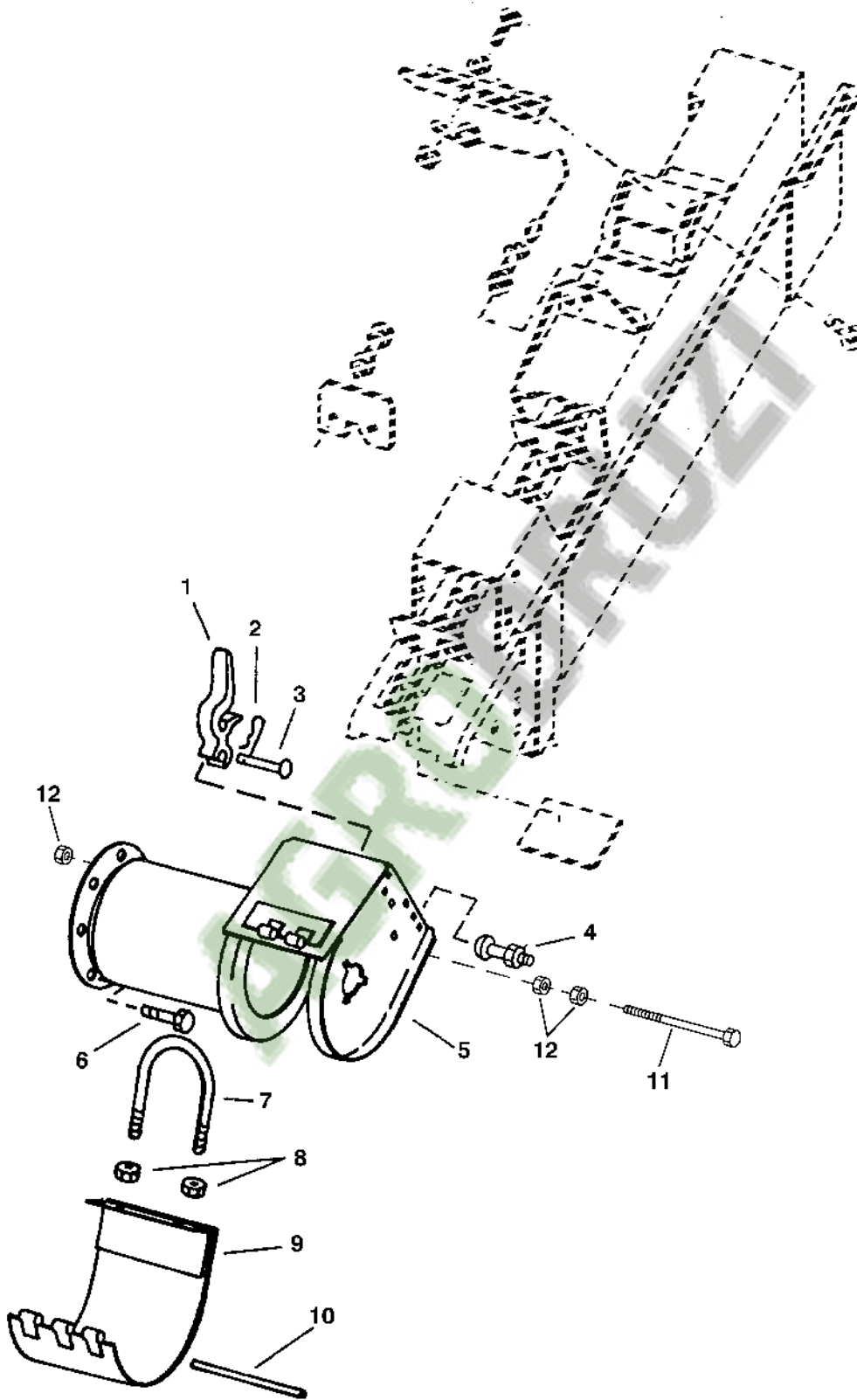
HP6651

668

10C6

CLEAN GRAIN ELEVATOR, GRAIN TANK AND UNLOADING AUGER

CLEAN GRAIN LOWER ELEVATOR AND CONVEYOR CHAIN
HP6653 -UN-07MAR97



HP6653

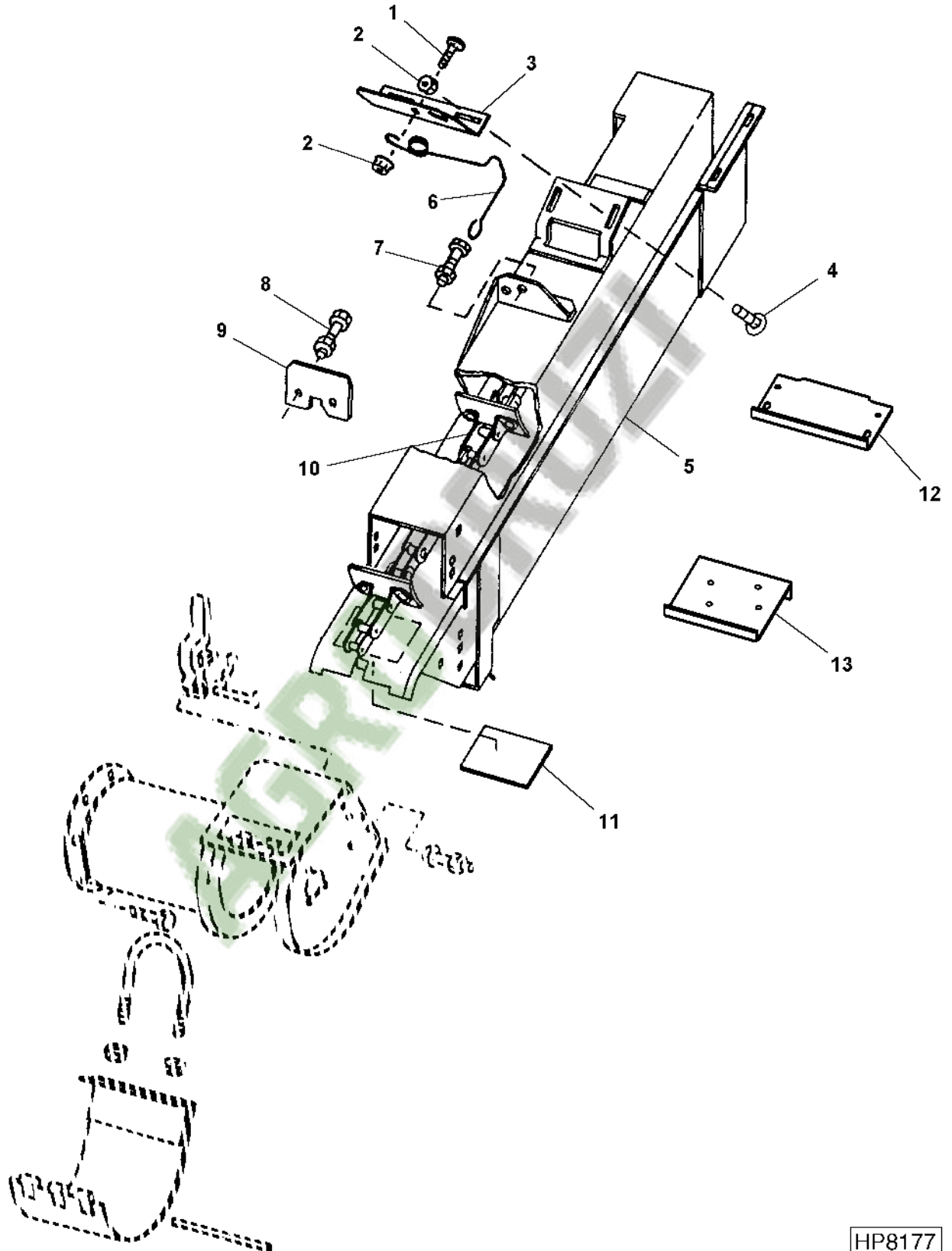
669

10C8

CLEAN GRAIN ELEVATOR, GRAIN TANK AND UNLOADING AUGER

CLEAN GRAIN LOWER ELEVATOR AND CONVEYOR CHAIN

HP8177 -UN-19JAN99



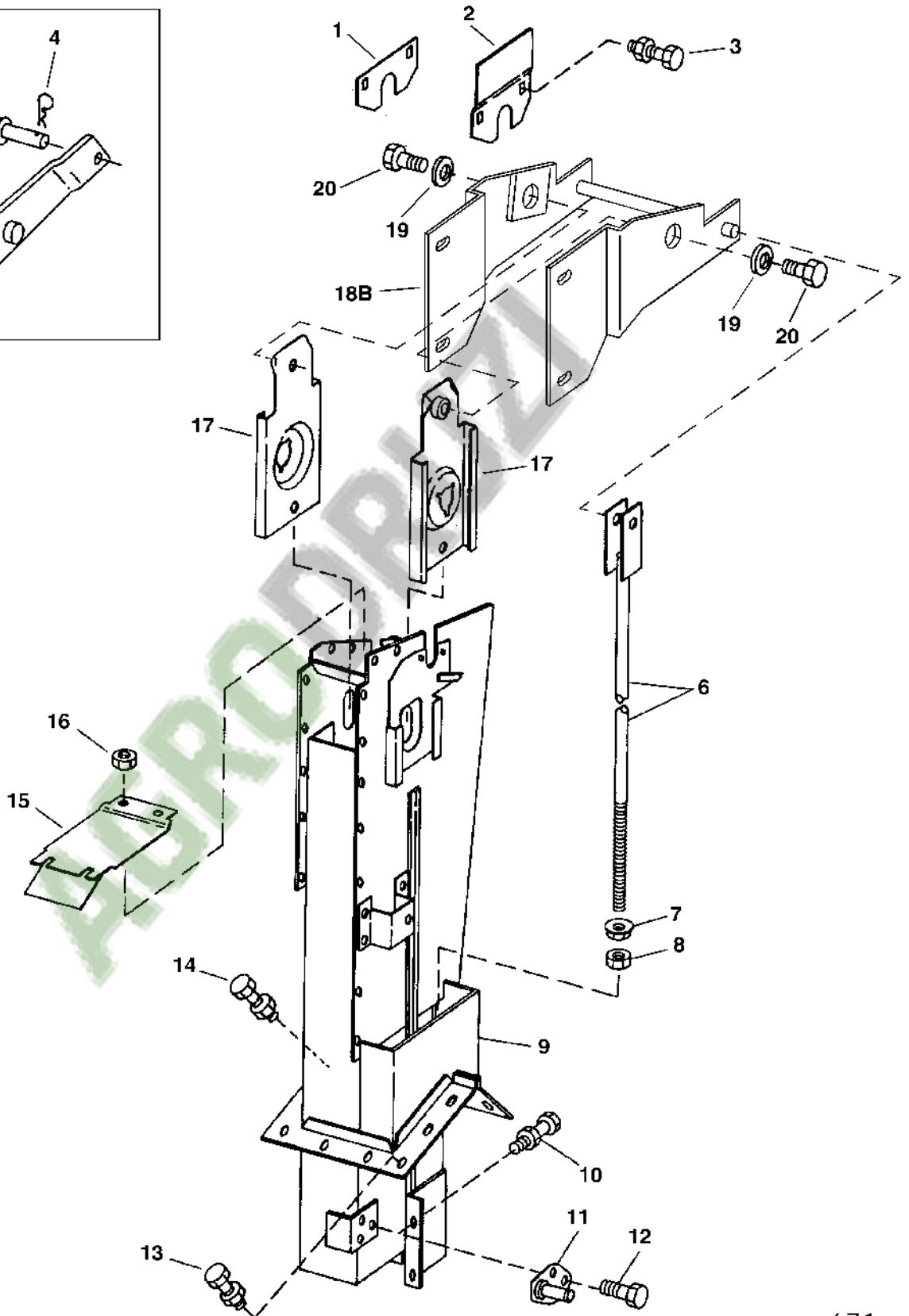
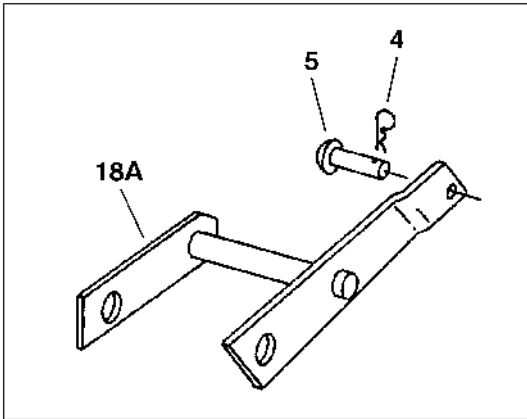
HP8177

670

10C10

CLEAN GRAIN ELEVATOR, GRAIN TANK AND UNLOADING AUGER

UPPER CLEAN GRAIN ELEVATOR
HP6652 -UN-20MAR97



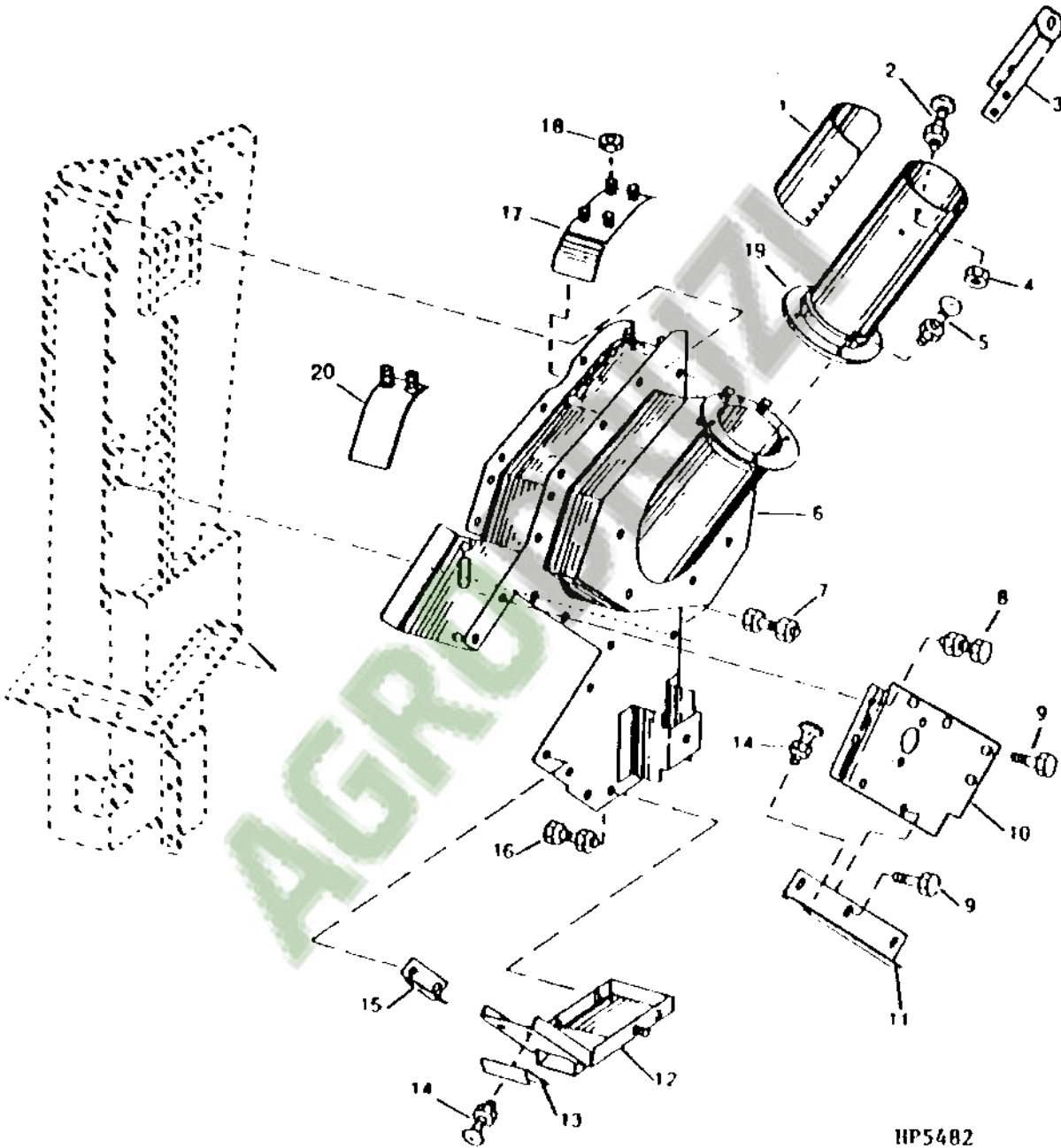
HP6652

671

10C14

CLEAN GRAIN ELEVATOR, GRAIN TANK AND UNLOADING AUGER

UPPER CLEAN GRAIN LOADING AUGER HOUSING
HP5482 -UN-01JAN94

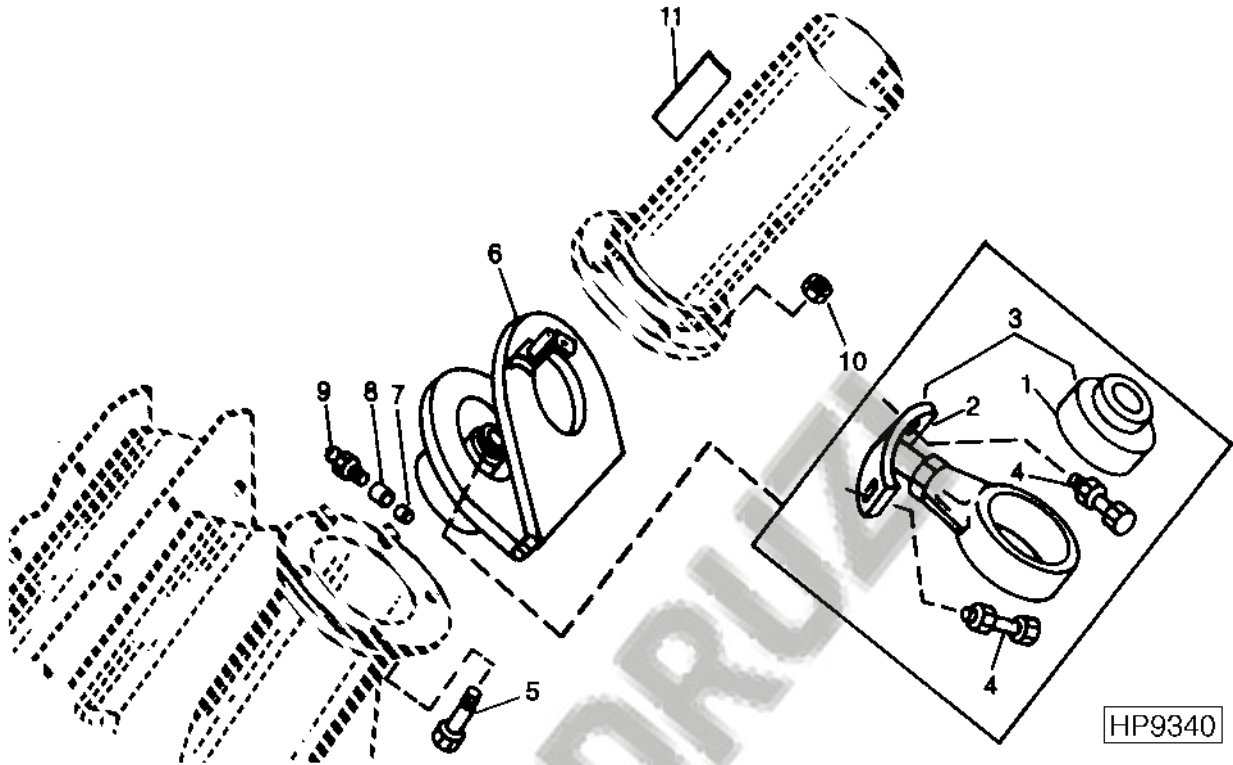


10C16

CLEAN GRAIN ELEVATOR, GRAIN TANK AND UNLOADING AUGER

FOLDING UPPER CLEAN GRAIN LOADING AUGER HOUSING

(660201-)
 HP9340 -UN-23NOV99



HP9340

KEY	PART NO.	PART NAME	QTY	SERIAL NO.	REMARKS
-----	----------	-----------	-----	------------	---------

S
 H
 9 9
 5 5
 0 0
 0 0

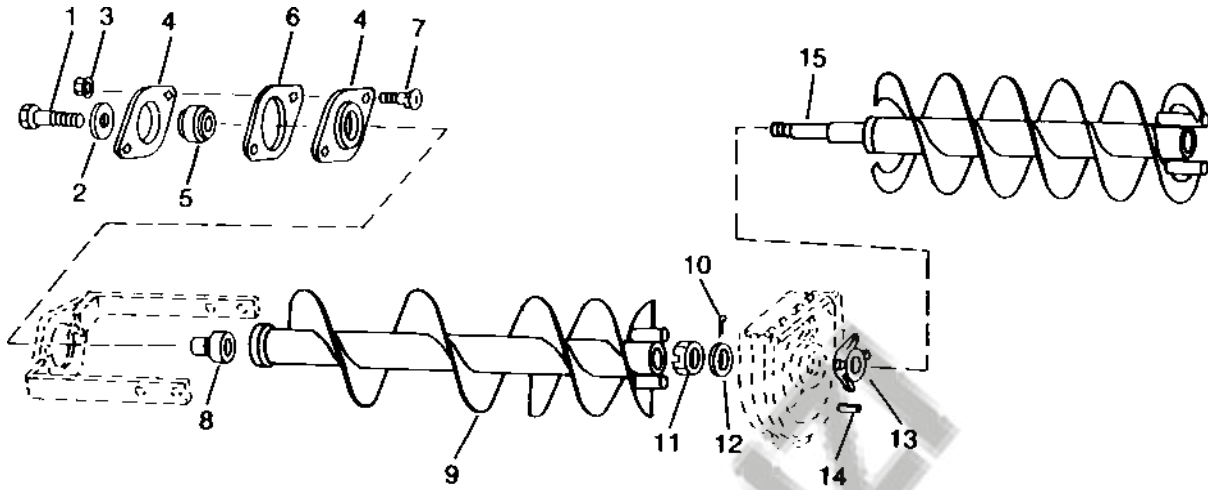
AGRODRIVE

10C17

CLEAN GRAIN ELEVATOR, GRAIN TANK AND UNLOADING AUGER

FOLDING CLEAN GRAIN LOADING AUGER

(660201-)
HP5877 -UN-26JUN95



HP5877

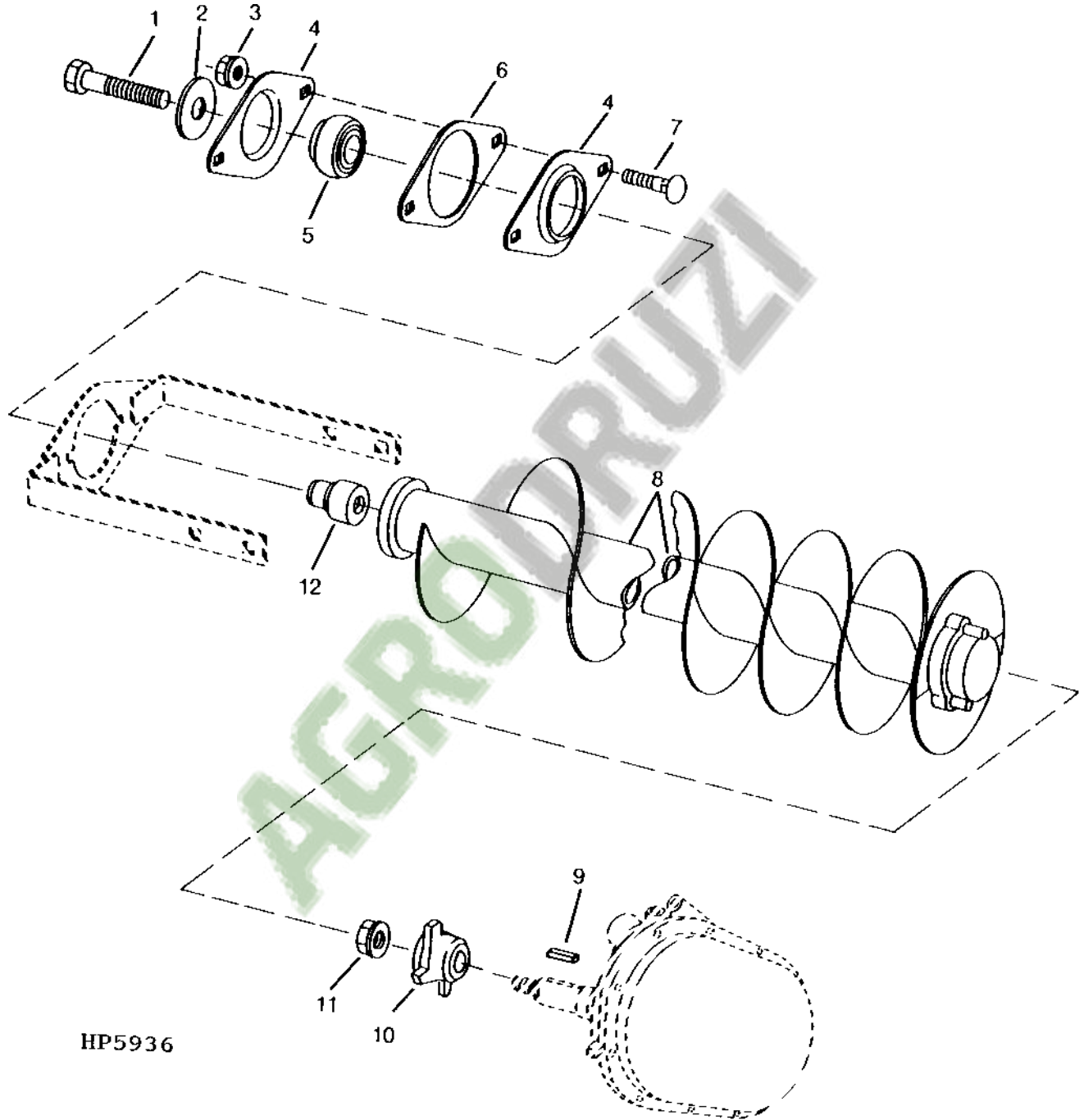
KEY	PART NO.	PART NAME	QTY	SERIAL NO.	REMARKS
				S	
				H	
				9	
				5	
				0	
				0	

AGRODRUG

10C18

CLEAN GRAIN ELEVATOR, GRAIN TANK AND UNLOADING AUGER

CLEAN GRAIN LOADING AUGER
HP5936 -UN-26JUN95

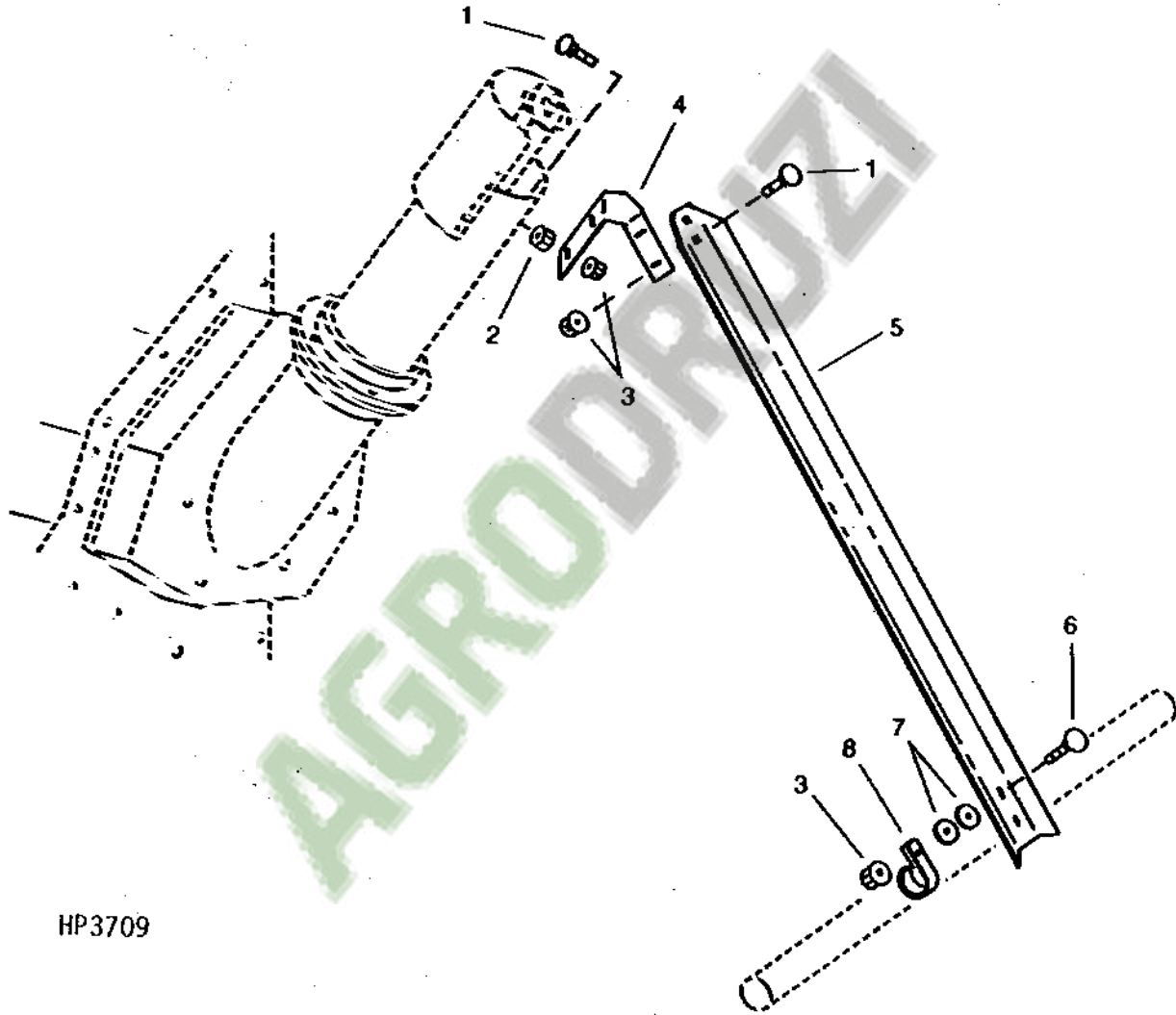


HP5936

10C20

CLEAN GRAIN ELEVATOR, GRAIN TANK AND UNLOADING AUGER

GRAIN TANK SAMPLING TROUGH
HP3709 -UN-01JAN94

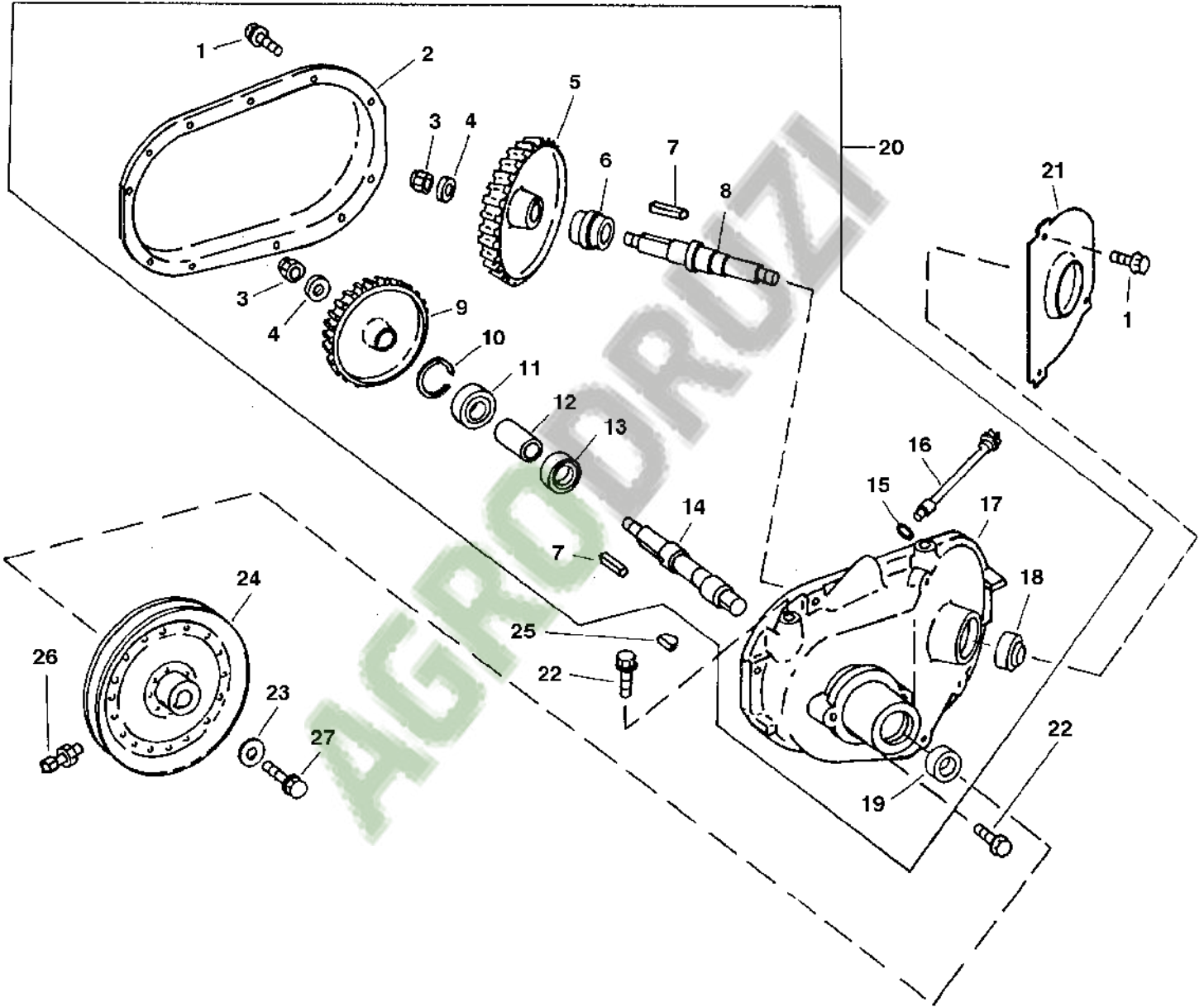


HP3709

10C22

CLEAN GRAIN ELEVATOR, GRAIN TANK AND UNLOADING AUGER

CLEAN GRAIN ELEVATOR GEARCASE AND SHEAVE
HP6913 -UN-18AUG97



HP6913

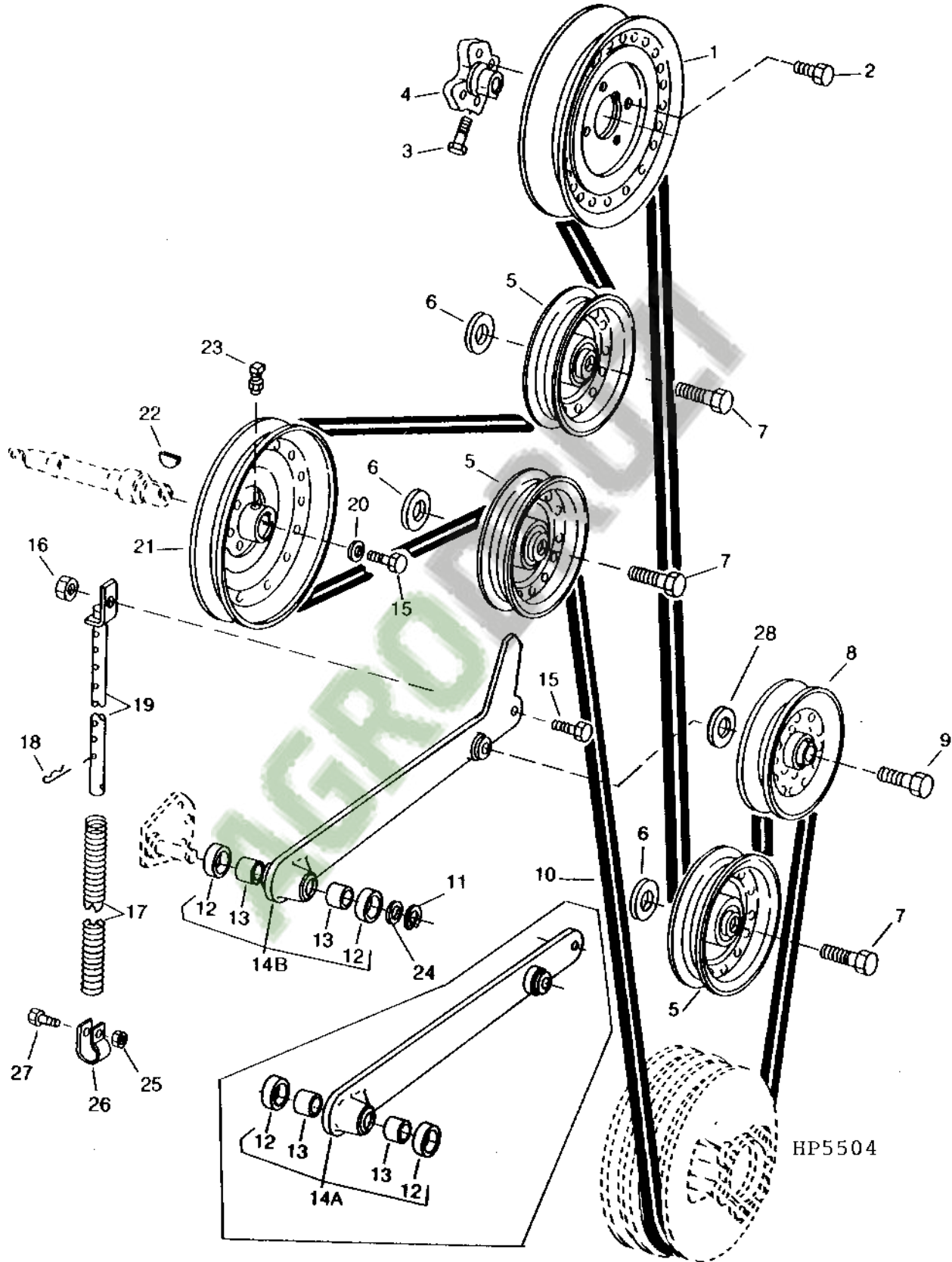
678

10C24

CLEAN GRAIN ELEVATOR, GRAIN TANK AND UNLOADING AUGER

CLEAN GRAIN ELEVATOR DRIVE TIGHTENER AND IDLER

HP5504 -UN-01JAN94



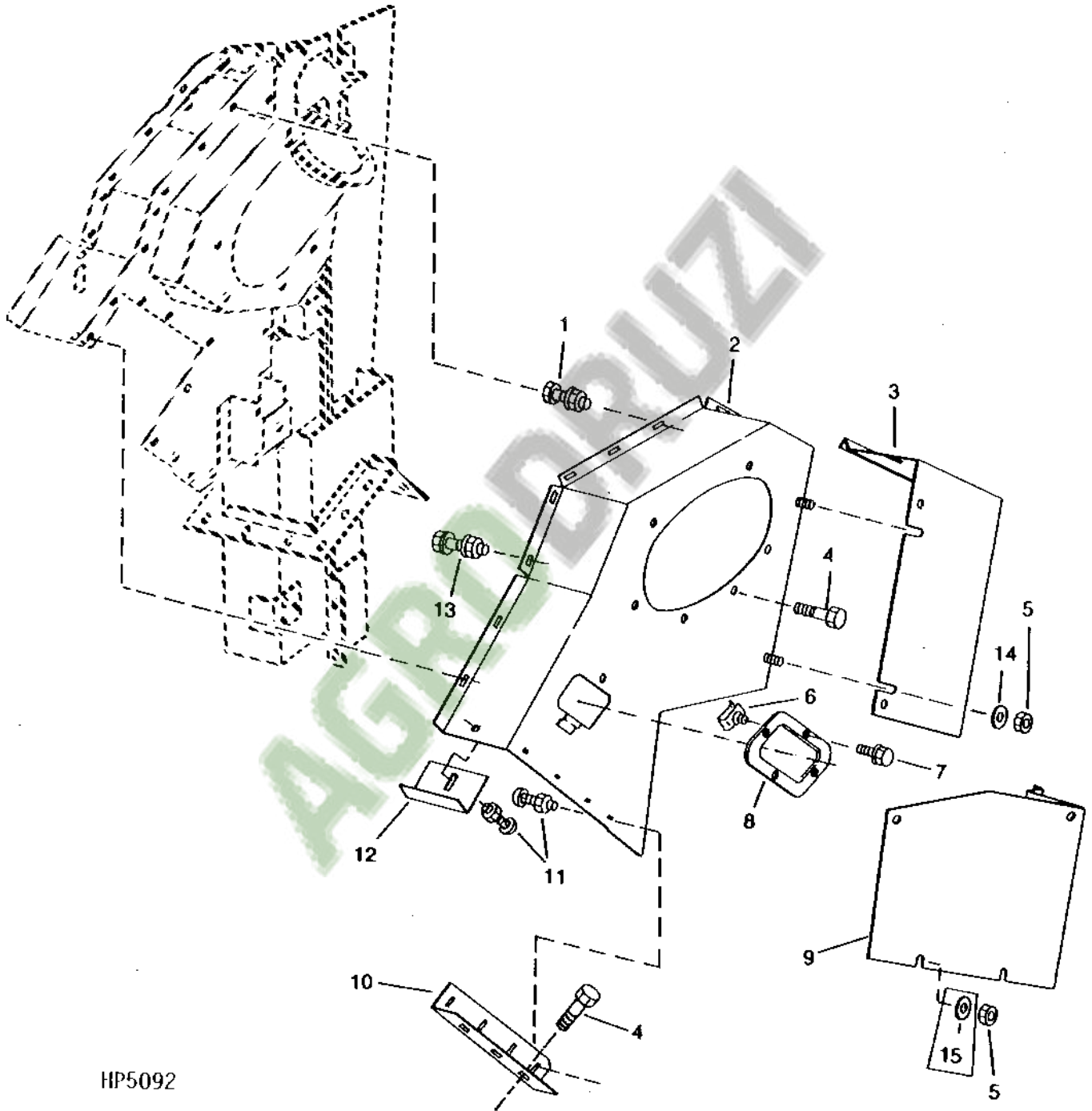
10D1

CLEAN GRAIN ELEVATOR, GRAIN TANK AND UNLOADING AUGER

UPPER CLEAN GRAIN ELEVATOR SHIELDS

(-640528)

HP5092 -UN-01JAN94

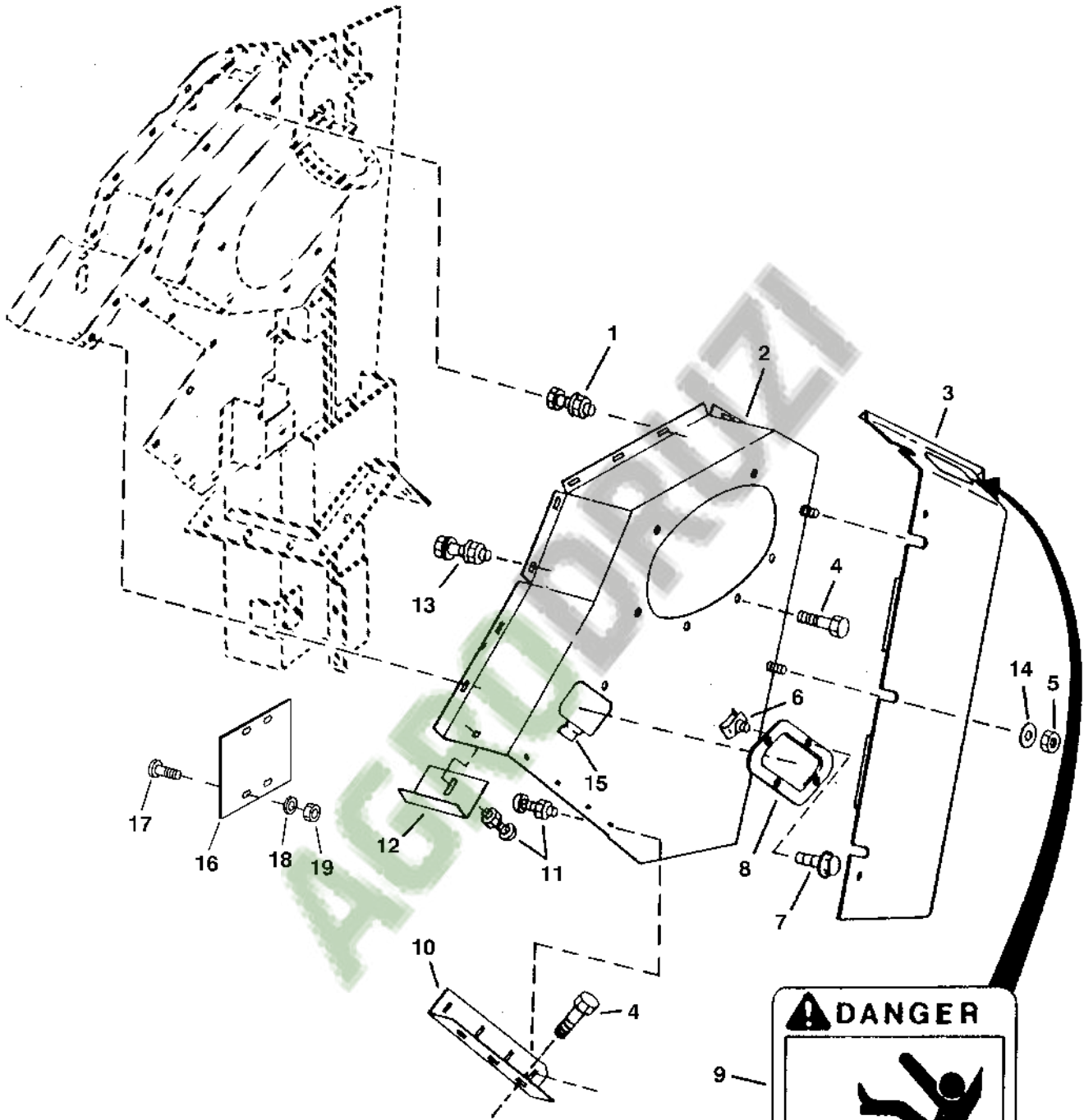


HP5092

10D3

CLEAN GRAIN ELEVATOR, GRAIN TANK AND UNLOADING AUGER

UPPER CLEAN GRAIN ELEVATOR SHIELDS (640529-)
(640529-)
HP6654 -UN-07MAR97



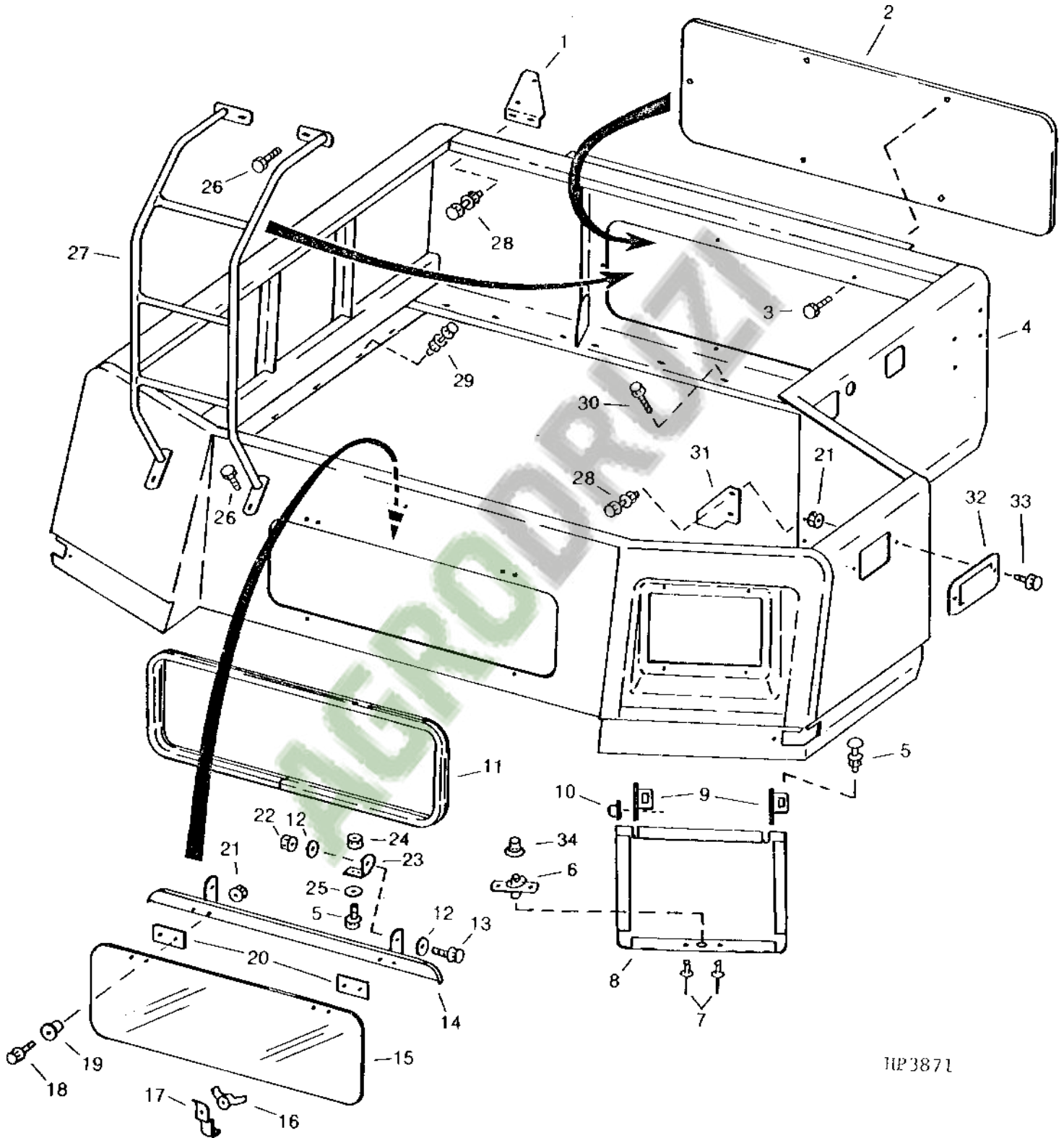
HP6654

681

10D5

CLEAN GRAIN ELEVATOR, GRAIN TANK AND UNLOADING AUGER

GRAIN TANK TOP
HP3871 -UN-01JAN94

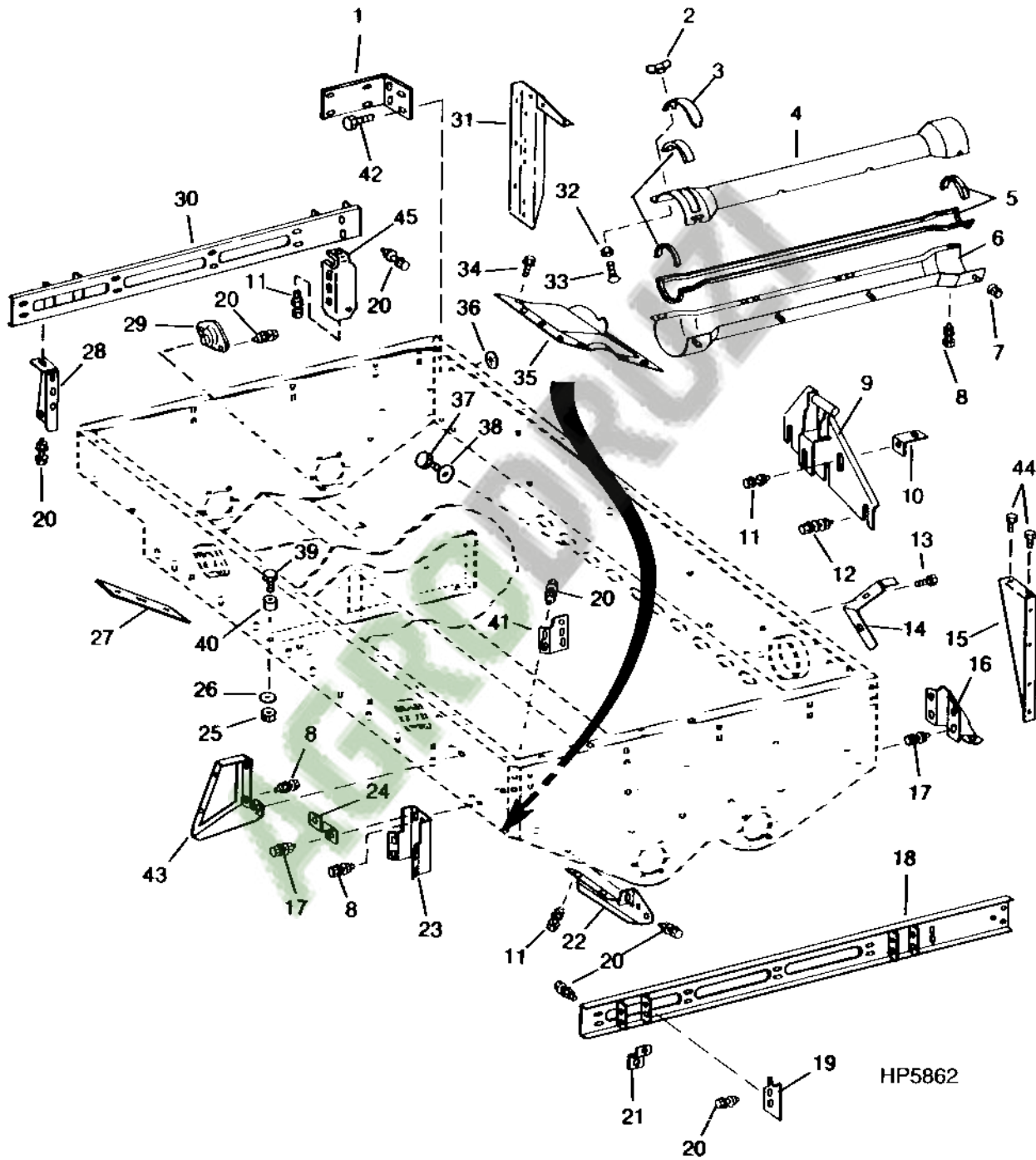


HP3871

10D7

CLEAN GRAIN ELEVATOR, GRAIN TANK AND UNLOADING AUGER

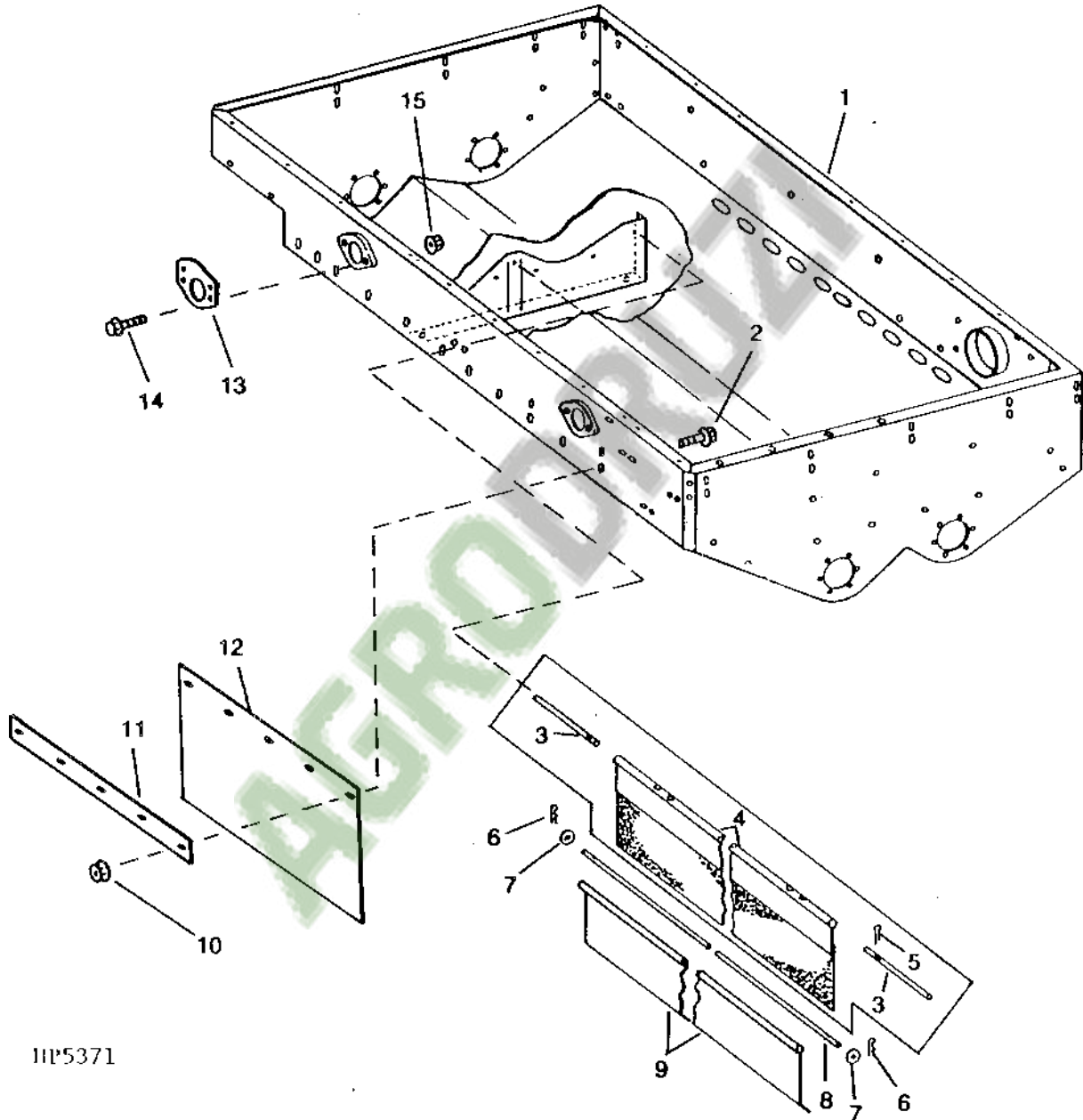
GRAIN TANK BASE
HP5862 -UN-14OCT94



10D9

CLEAN GRAIN ELEVATOR, GRAIN TANK AND UNLOADING AUGER

GRAIN TANK AND CURTAINS
HP5371 -UN-01JAN94

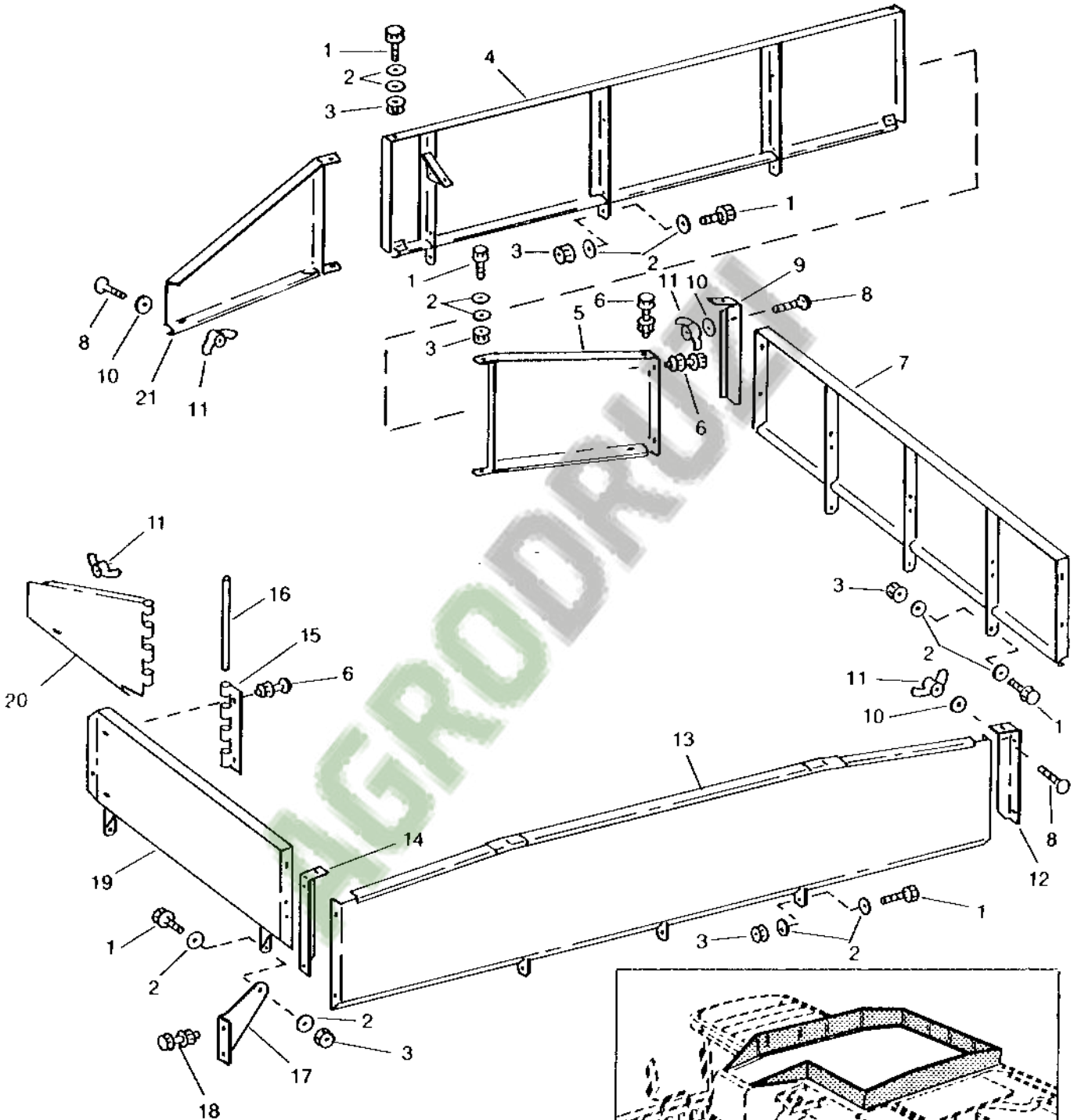


HP5371

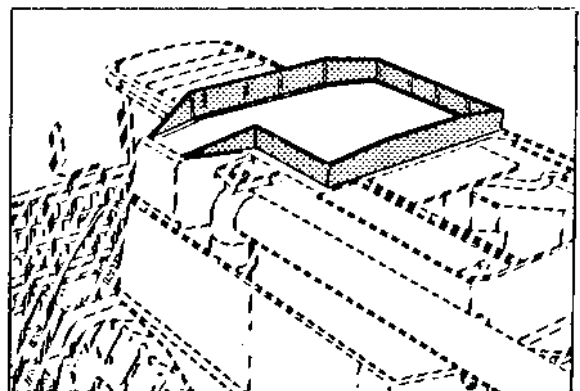
10D11

CLEAN GRAIN ELEVATOR, GRAIN TANK AND UNLOADING AUGER

GRAIN TANK EXTENSIONS
HP3047 -UN-01JAN94



HP3047

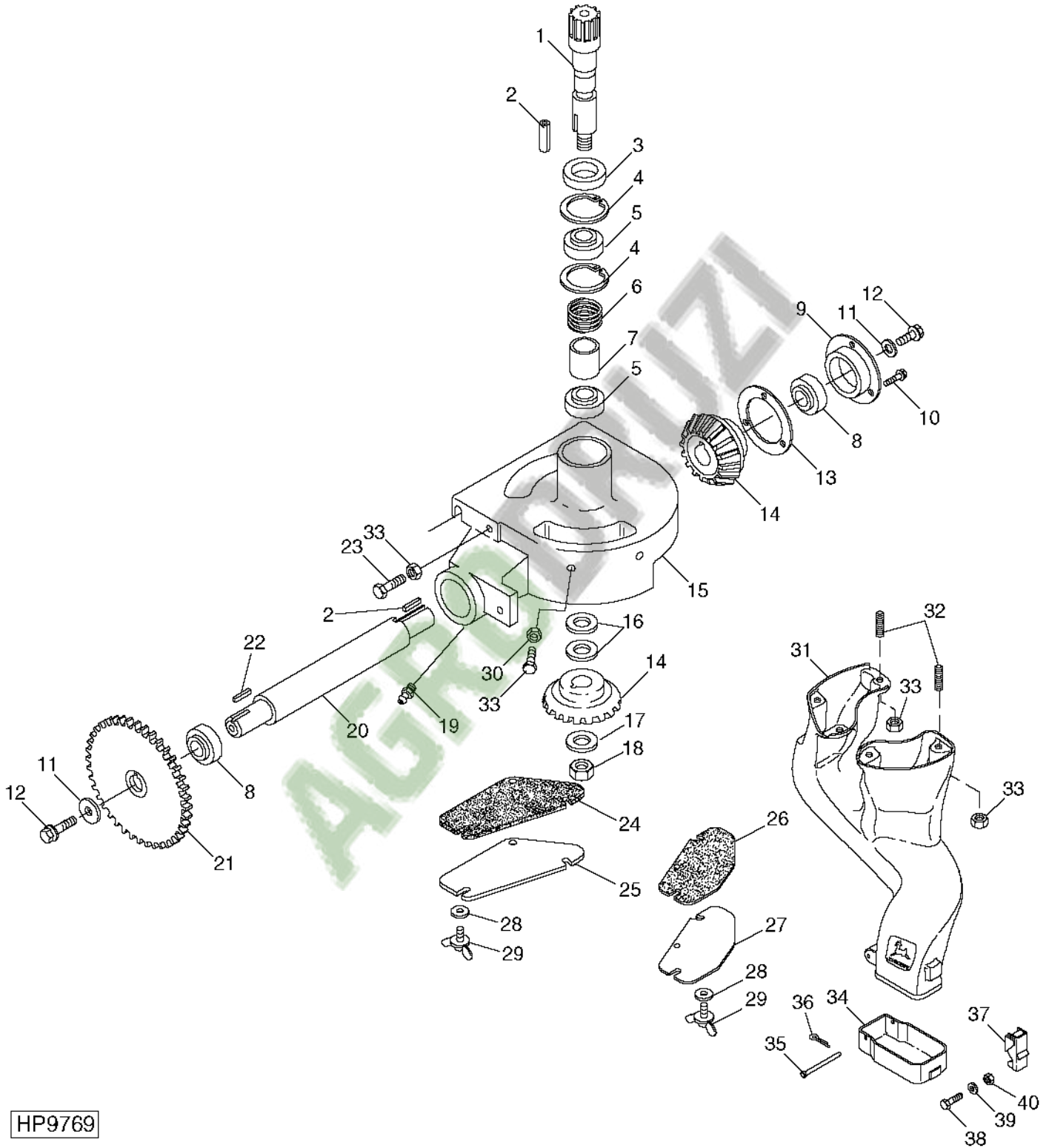


685

10D13

CLEAN GRAIN ELEVATOR, GRAIN TANK AND UNLOADING AUGER

VERTICAL AUGER LOWER GEAR CASE
HP9769 -UN-23MAY00



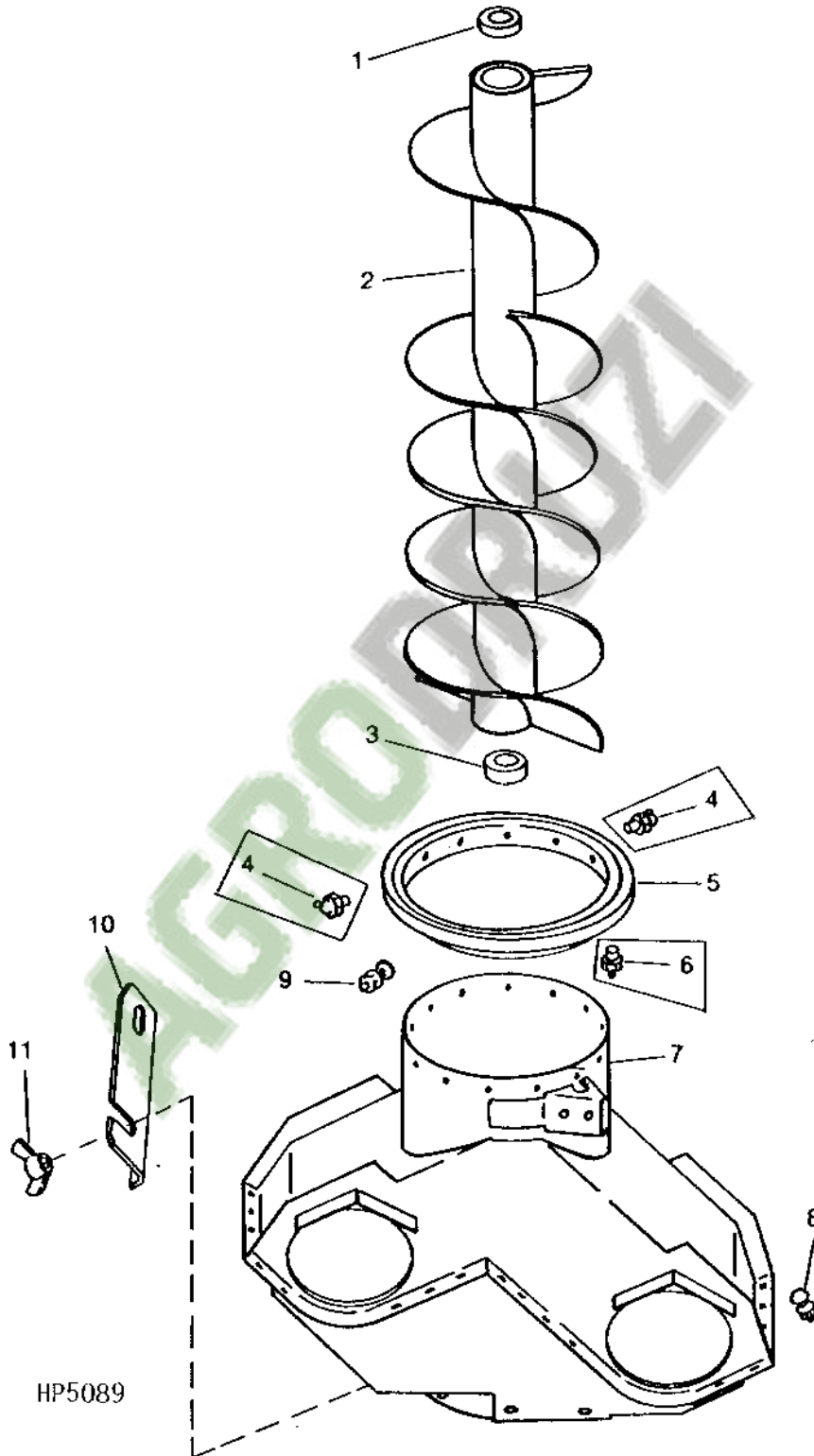
HP9769

10D15

CLEAN GRAIN ELEVATOR, GRAIN TANK AND UNLOADING AUGER

VERTICAL UNLOADING AUGER AND CHARGE HOUSING

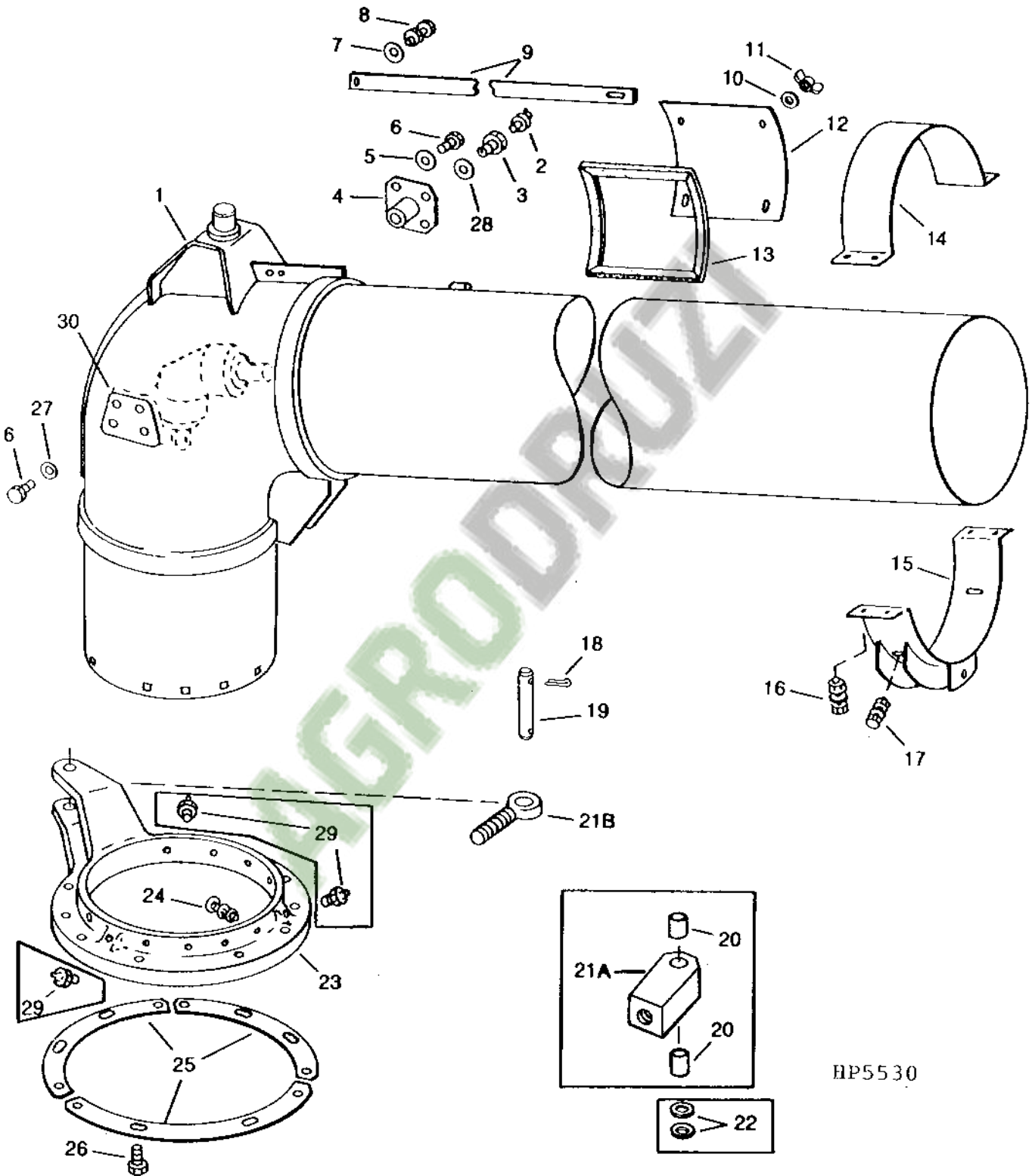
HP5089 -UN-01JAN94



10D17

CLEAN GRAIN ELEVATOR, GRAIN TANK AND UNLOADING AUGER

HORIZONTAL UNLOADING AUGER SWIVEL
HP5530 -UN-01JAN94

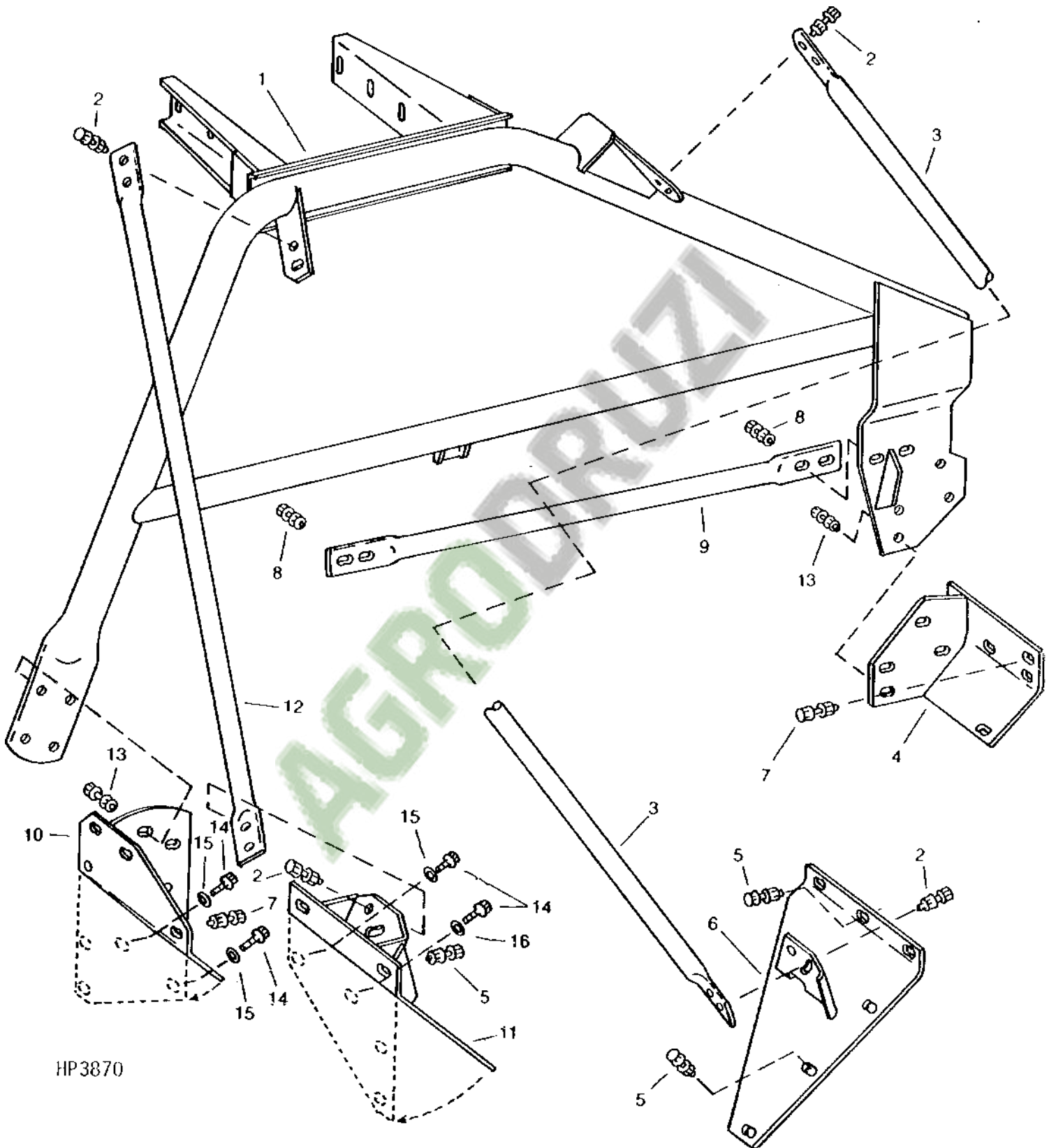


HP5530

10D19

CLEAN GRAIN ELEVATOR, GRAIN TANK AND UNLOADING AUGER

AUGER SWIVEL SUPPORT AND BRACES
HP3870 -UN-01JAN94



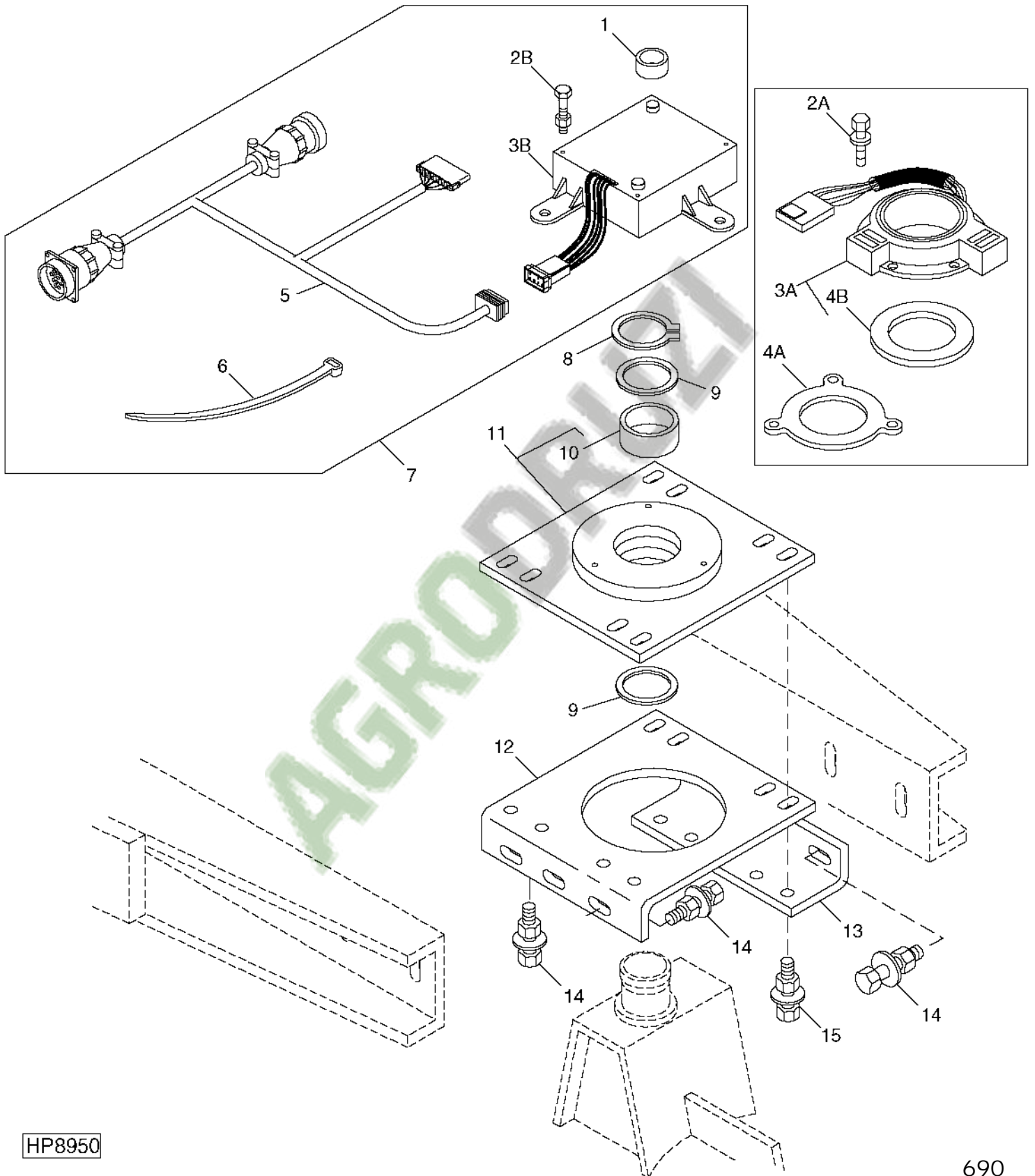
HP3870

10D21

CLEAN GRAIN ELEVATOR, GRAIN TANK AND UNLOADING AUGER

HORIZONTAL UNLOADING AUGER HUB SUPPORT AND SWITCH

HP8950 -UN-24AUG99



HP8950

690

10D23

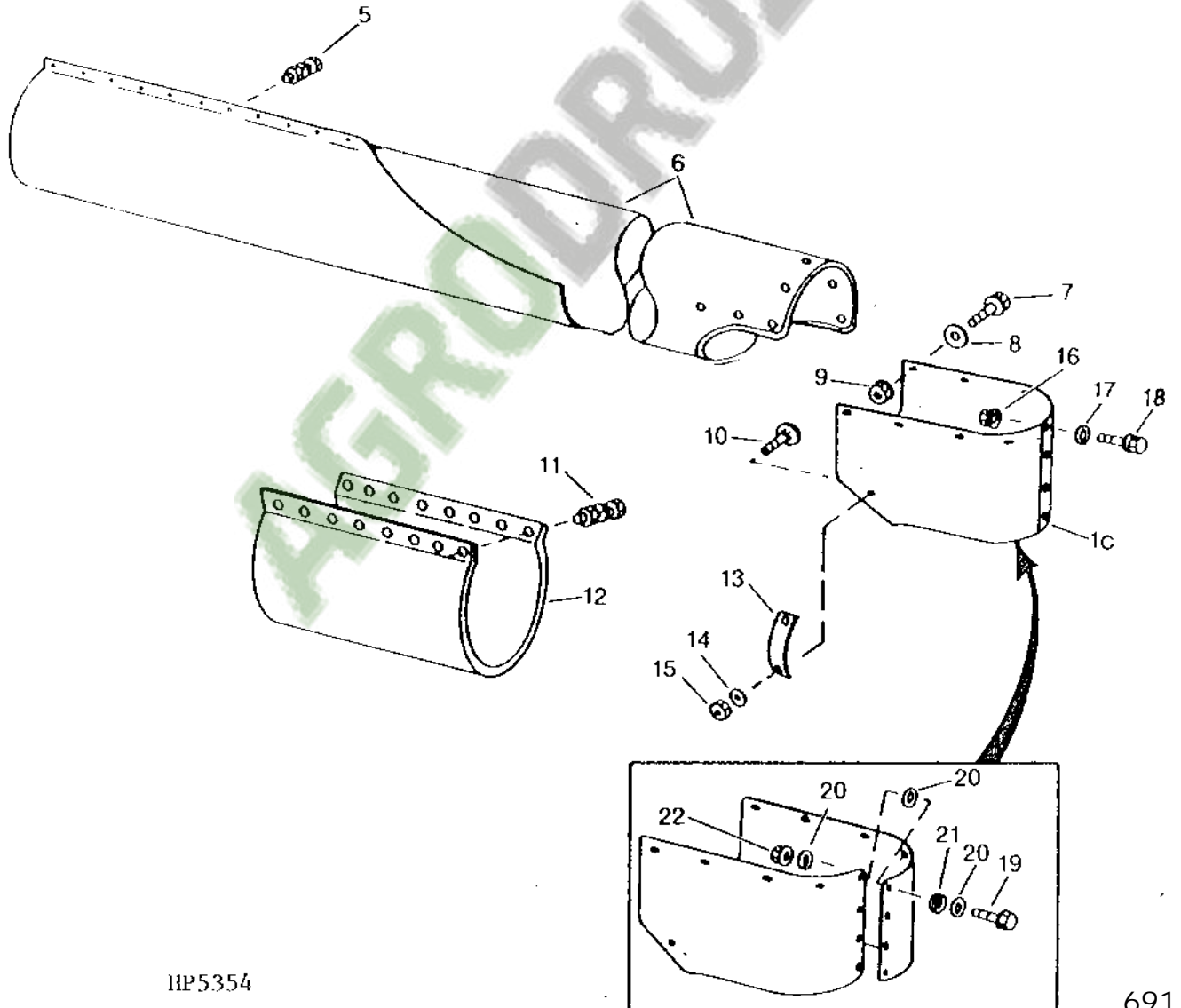
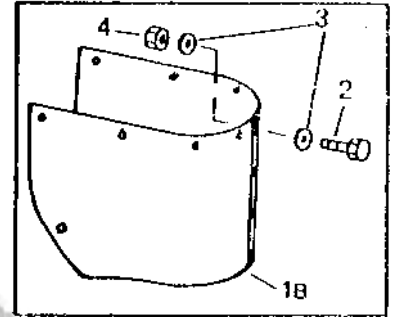
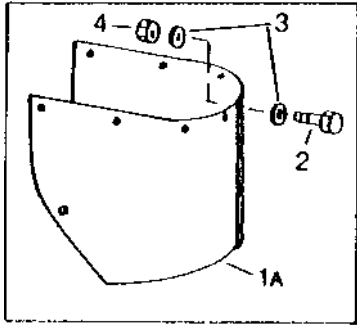
CLEAN GRAIN ELEVATOR, GRAIN TANK AND UNLOADING AUGER

HORIZONTAL UNLOADING AUGER HOUSING

(14- AND 17 FT.)

HP5354

-UN-01JAN94



HP5354

691

10E1

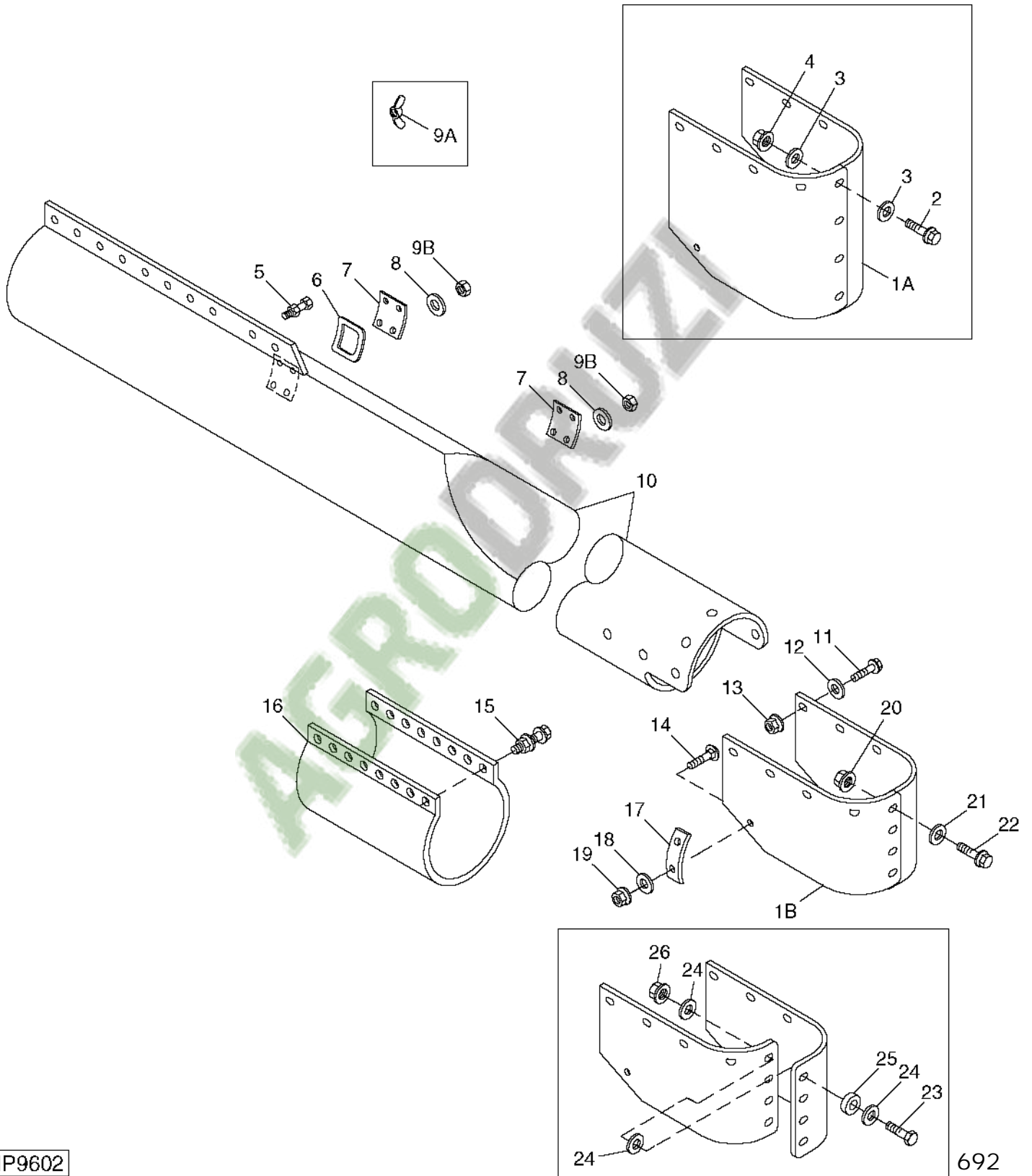
CLEAN GRAIN ELEVATOR, GRAIN TANK AND UNLOADING AUGER

HORIZONTAL UNLOADING AUGER HOUSING

(17 AND 20 FT.)

HP9602

-UN-01MAY00



HP9602

692

10E3

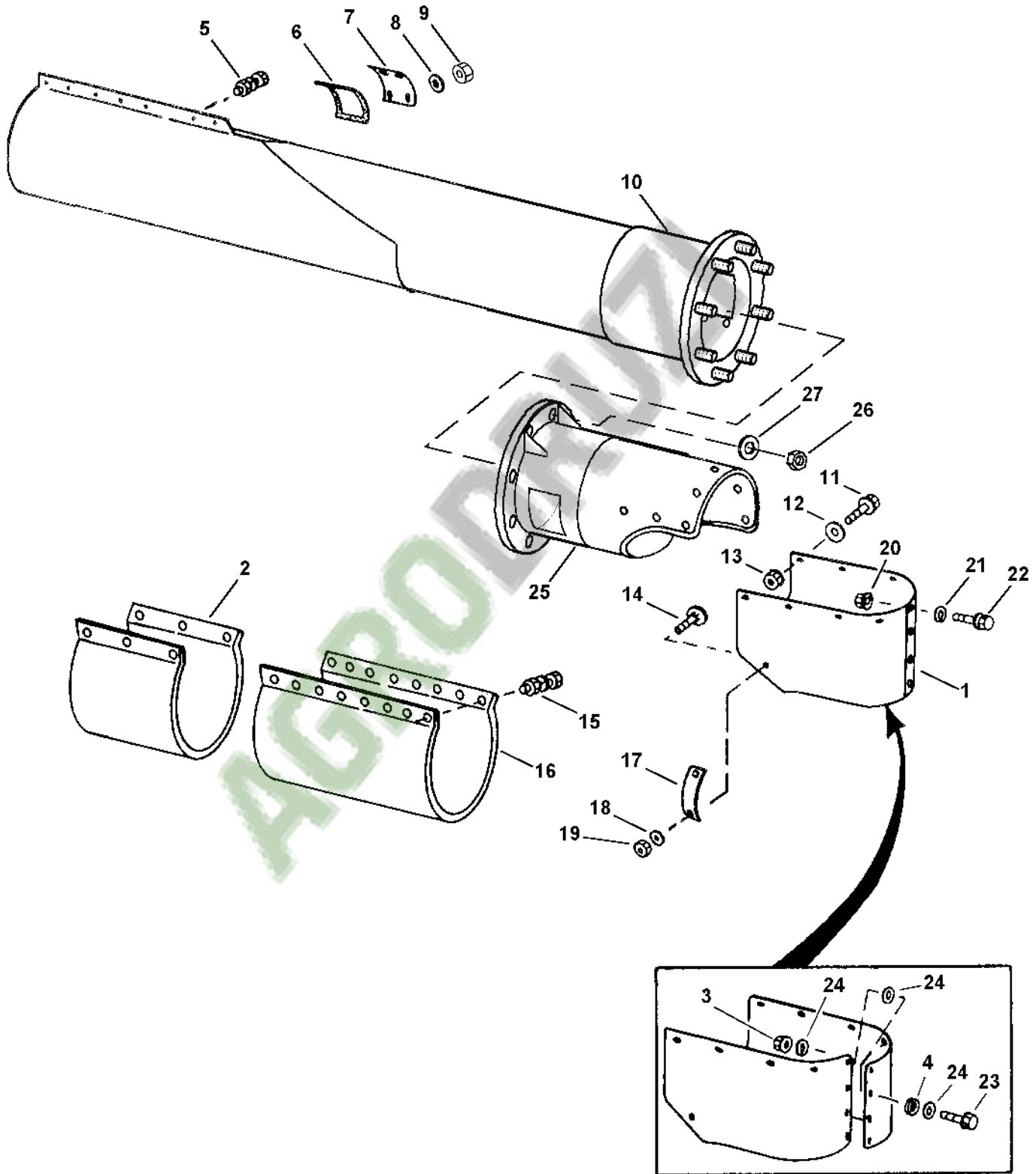
CLEAN GRAIN ELEVATOR, GRAIN TANK AND UNLOADING AUGER

HORIZONTAL UNLOADING AUGER HOUSING (EXPORT)

(17 AND 20 FT.)

HP7526

-UN-04MAY98



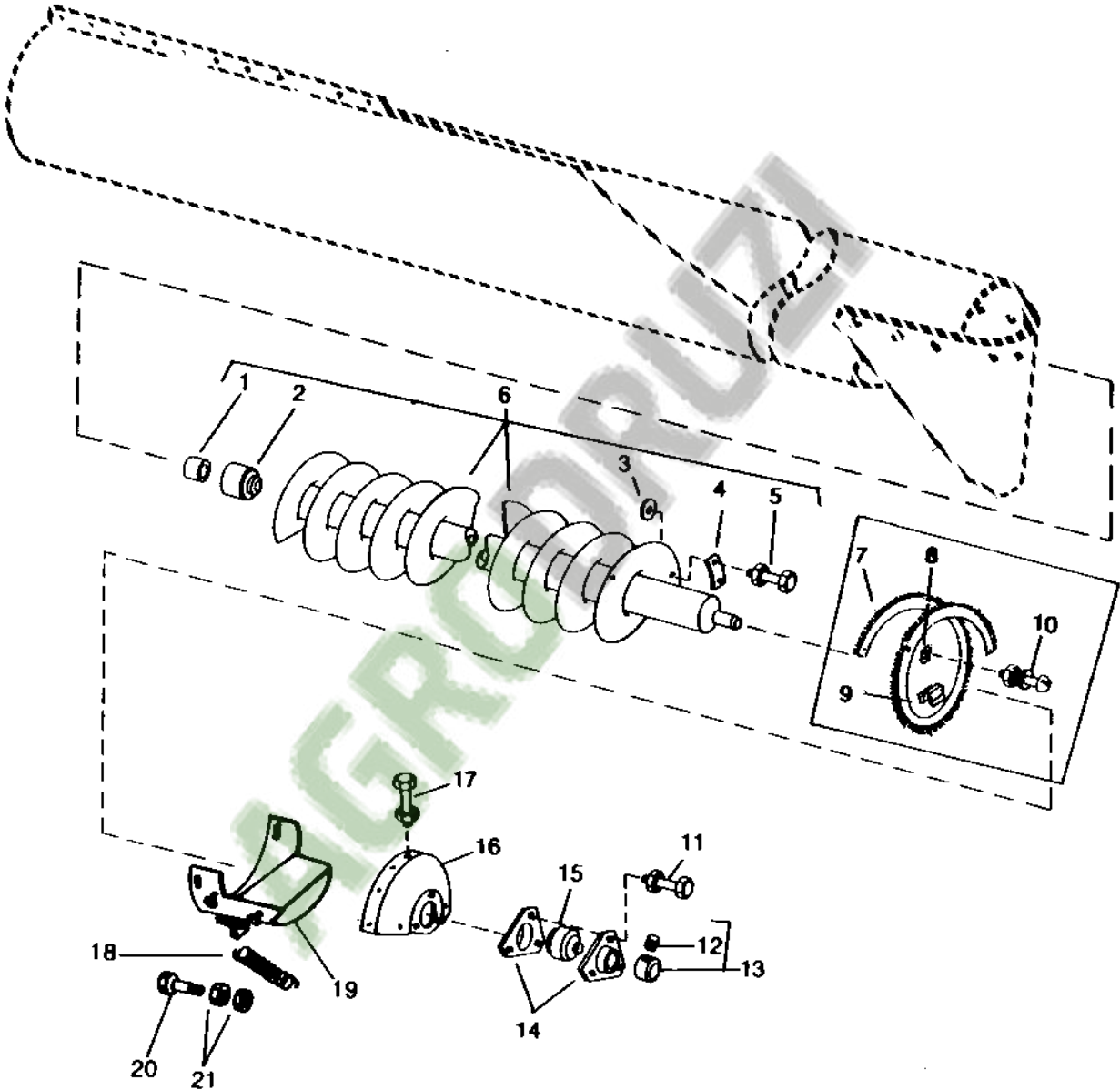
HP7526

693

10E5

CLEAN GRAIN ELEVATOR, GRAIN TANK AND UNLOADING AUGER

HORIZONTAL UNLOADING AUGER
(14- AND 17-FT. (1) PIECE AUGERS)
HP5883 -UN-15OCT94



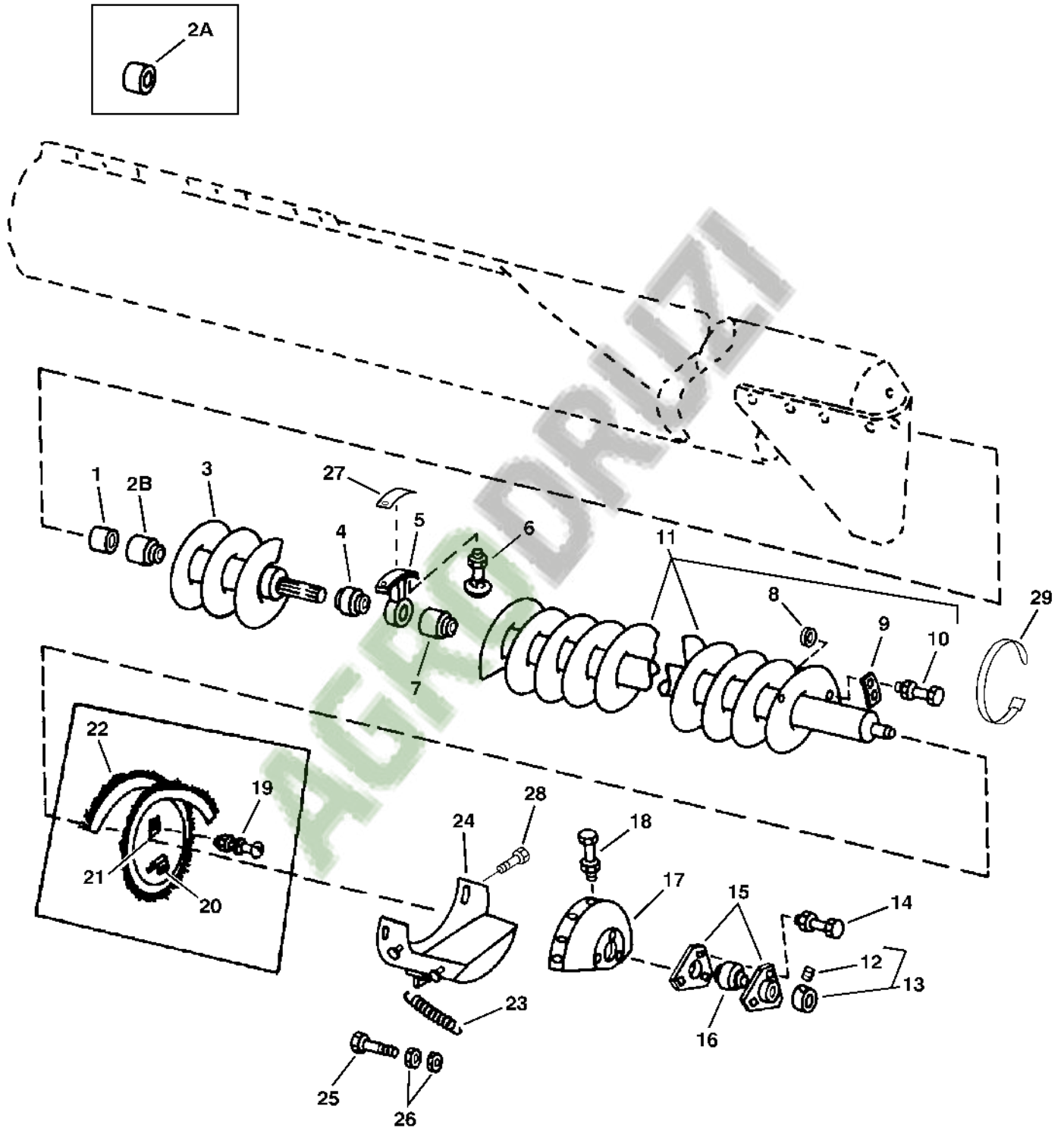
HP5883

694

10E7

CLEAN GRAIN ELEVATOR, GRAIN TANK AND UNLOADING AUGER

HORIZONTAL UNLOADING AUGER
(17 AND 20 FT. (2) PIECE AUGERS)
HP6715 -UN-14MAY97



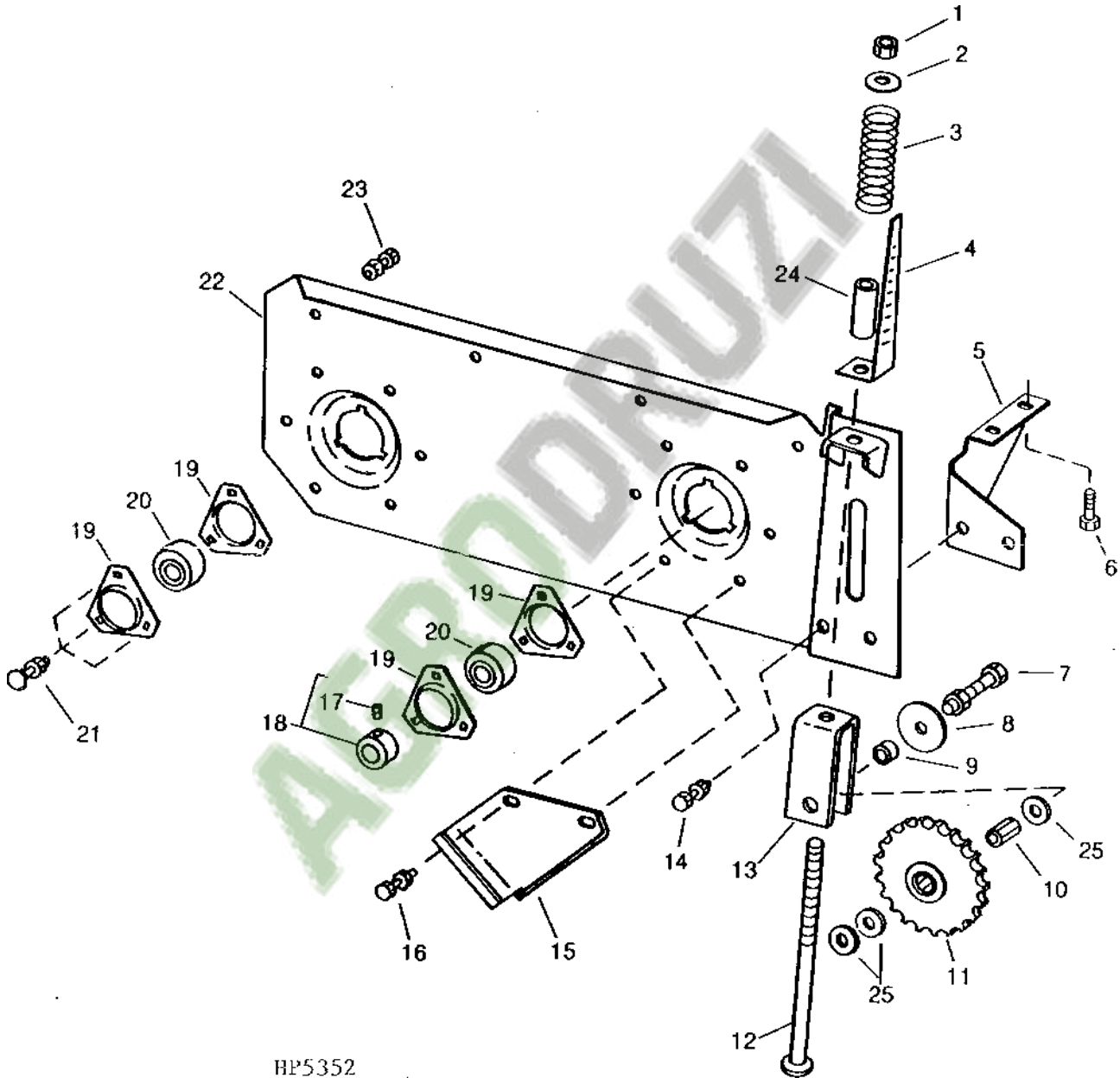
HP6715

695

10E9

CLEAN GRAIN ELEVATOR, GRAIN TANK AND UNLOADING AUGER

CROSS AUGER BEARING PLATE - L.H.
HP5352 -UN-01JAN94

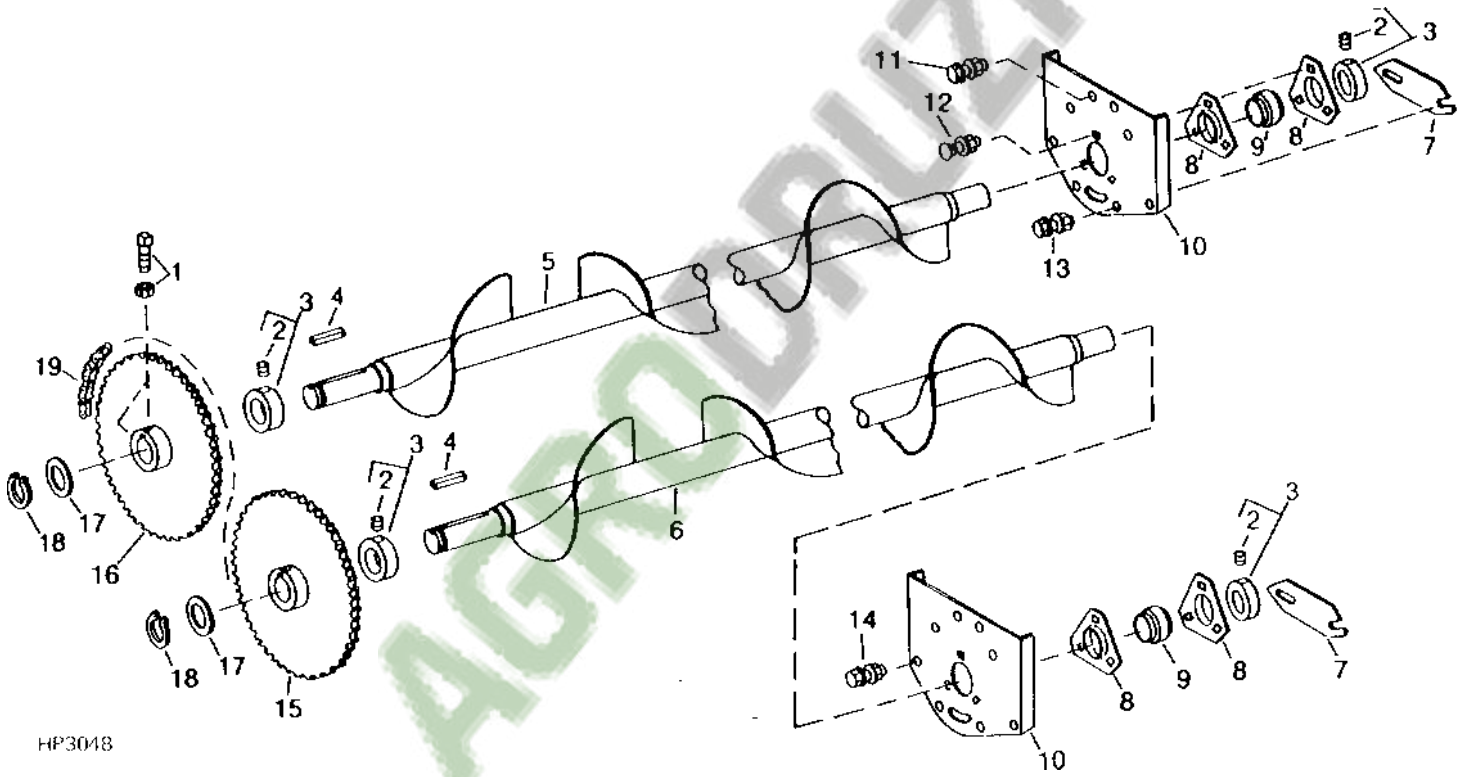


HP5352

10E11

CLEAN GRAIN ELEVATOR, GRAIN TANK AND UNLOADING AUGER

GRAIN TANK CROSS AUGERS
HP3048 -UN-01JAN94

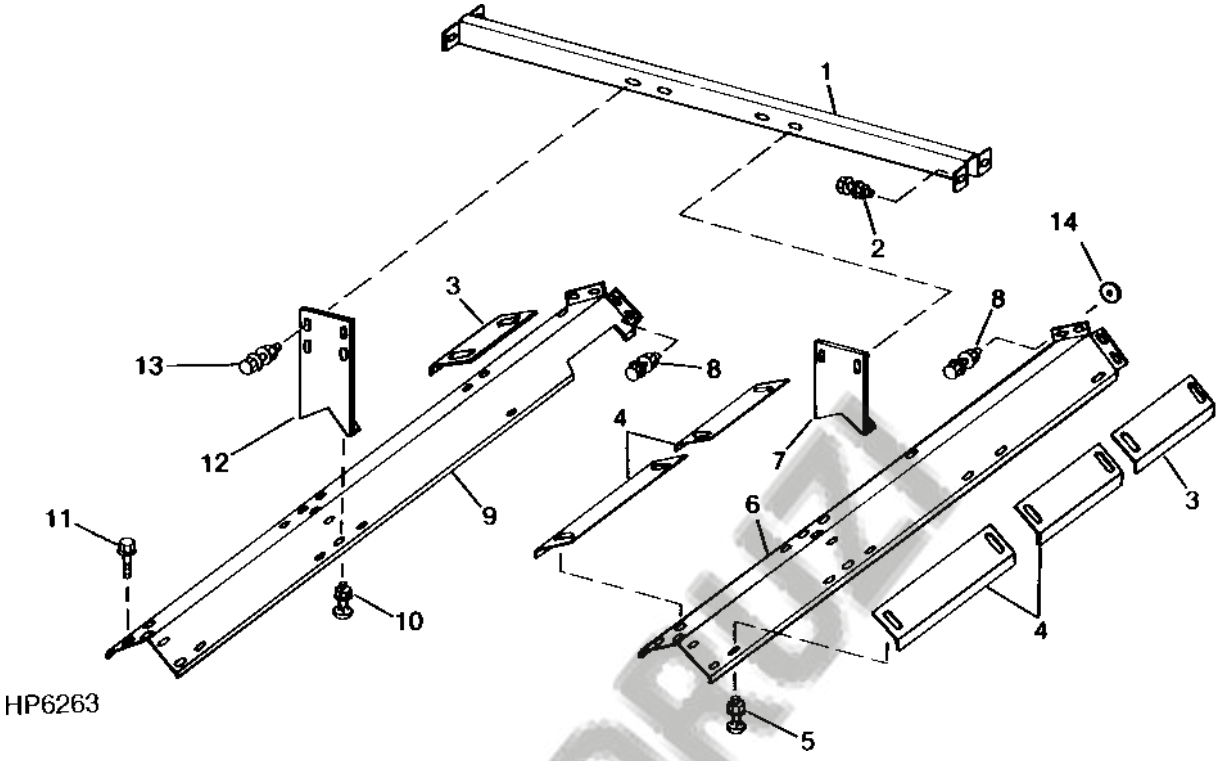


HP3048

10E13

CLEAN GRAIN ELEVATOR, GRAIN TANK AND UNLOADING AUGER

CROSS AUGER COVERS AND CHANNEL
HP6263 -UN-23JAN96



HP6263

AGRODRIVE

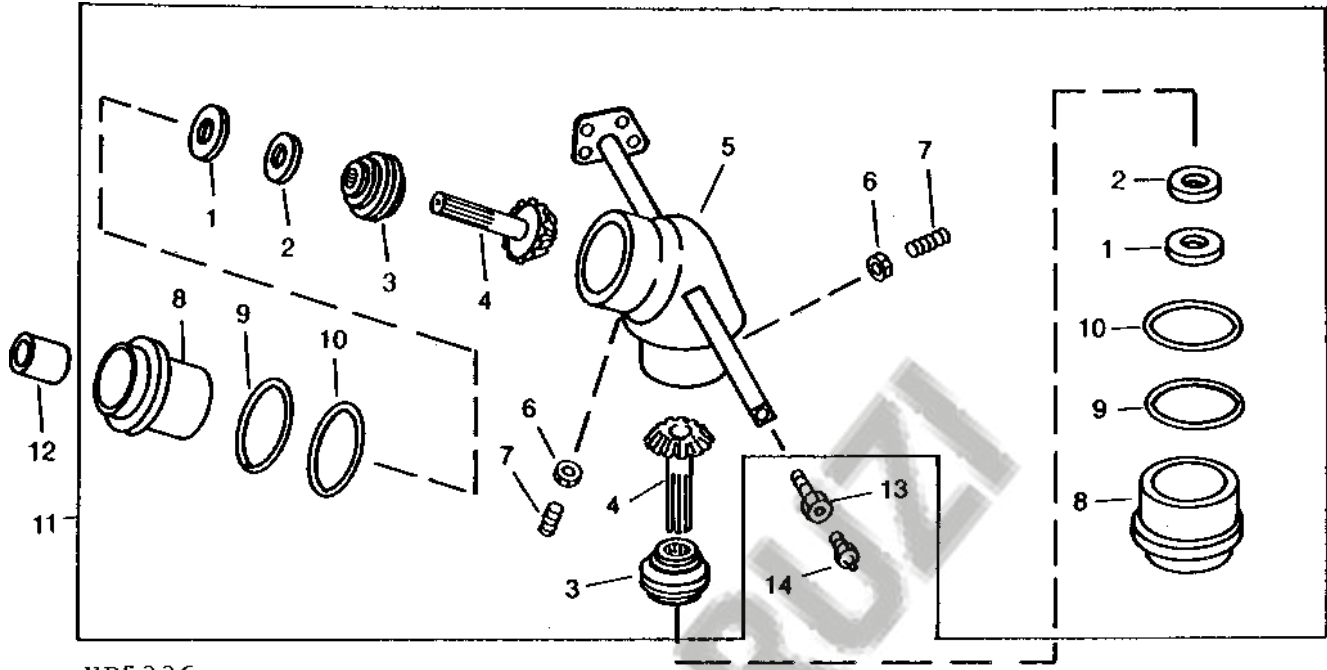
KEY	PART NO.	PART NAME	QTY	SERIAL NO.	REMARKS
				S H 9 5 0 0	

10E14

CLEAN GRAIN ELEVATOR, GRAIN TANK AND UNLOADING AUGER

HORIZONTAL UNLOADING AUGER DRIVE GEAR CASE

HP5336 -UN-01JAN94



HP5336

KEY	PART NO.	PART NAME	QTY	SERIAL NO.	REMARKS
				S	
				H	
				9 9	
				5 5	
				0 0	
				0 0	

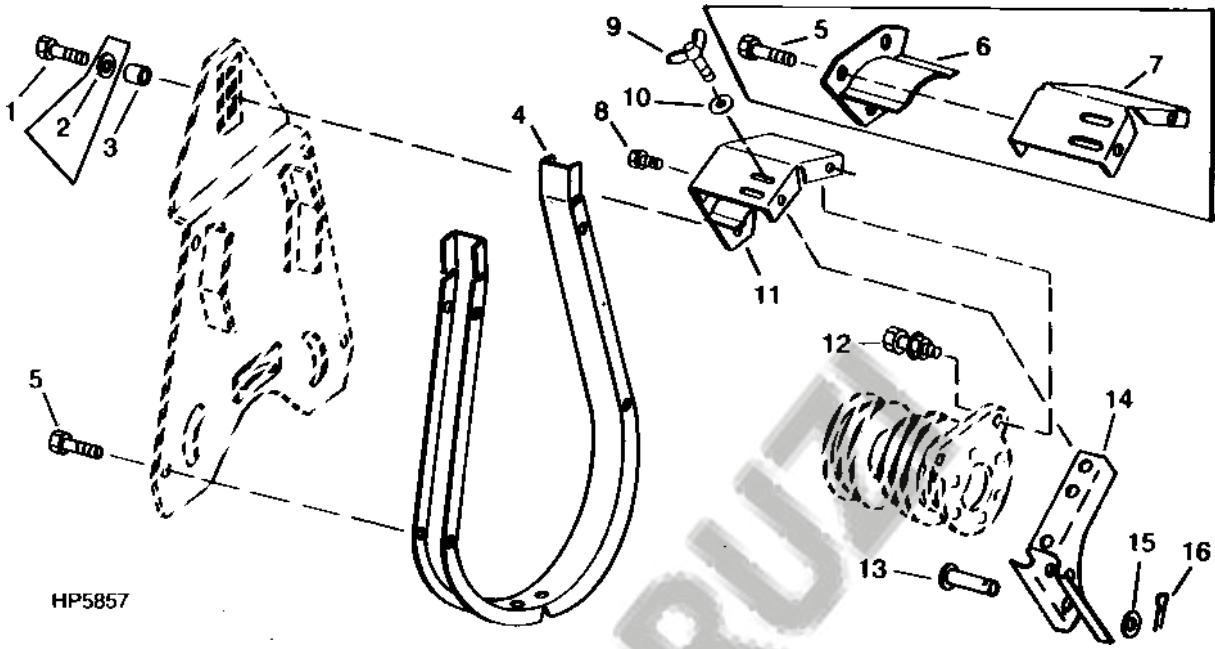
AGRODRIVE

10E17

CLEAN GRAIN ELEVATOR, GRAIN TANK AND UNLOADING AUGER

UNLOADING AUGER DRIVE BELT GUIDE

HP5857 -UN-14OCT94



HP5857

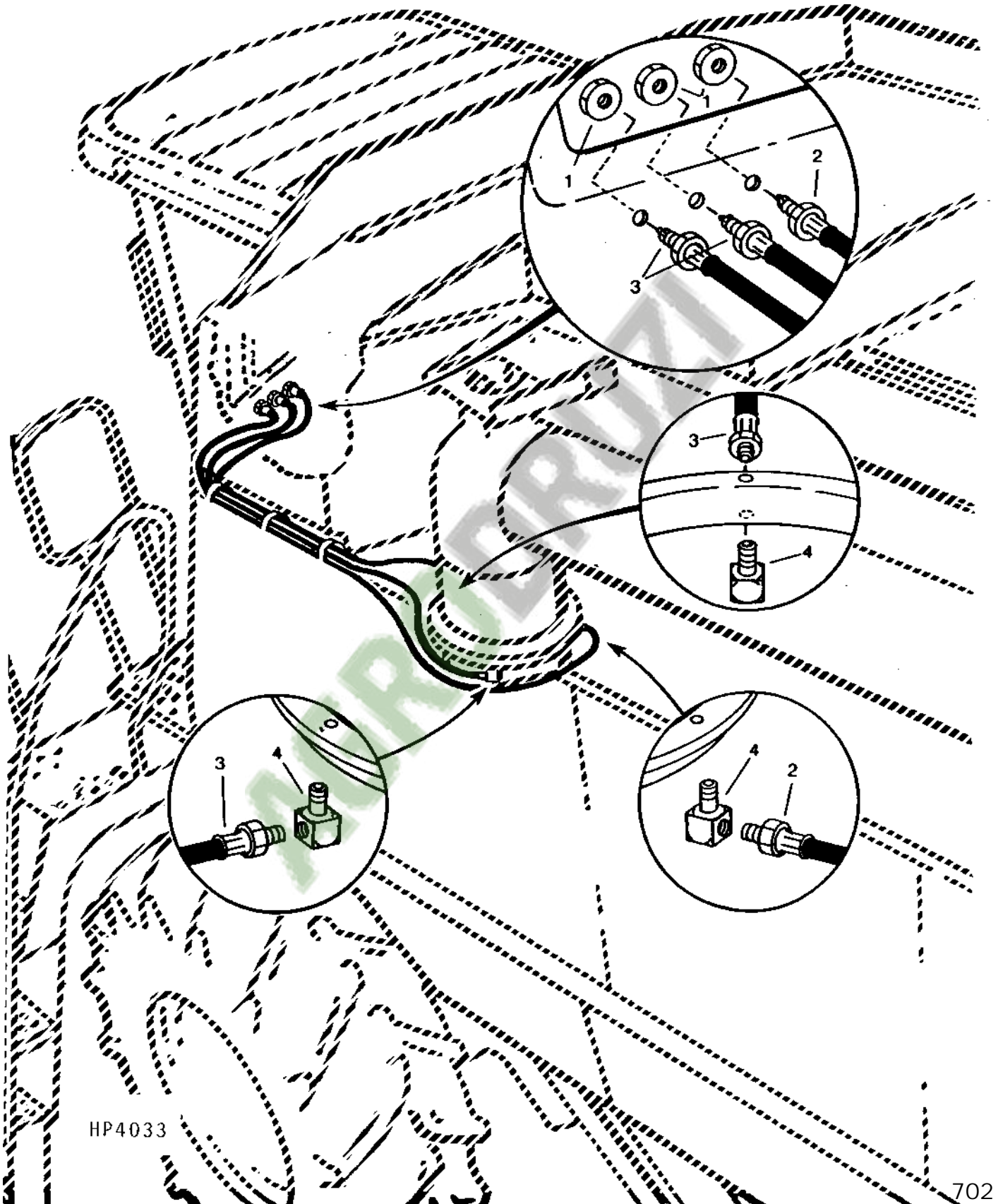
KEY	PART NO.	PART NAME	QTY	SERIAL NO.	REMARKS
				S	
				H	
				9 9	
				5 5	
				0 0	
				0 0	

AGRODRU

10E18

CLEAN GRAIN ELEVATOR, GRAIN TANK AND UNLOADING AUGER

UNLOADING AUGER LOWER LUBE BANK
HP4033 -UN-01JAN94



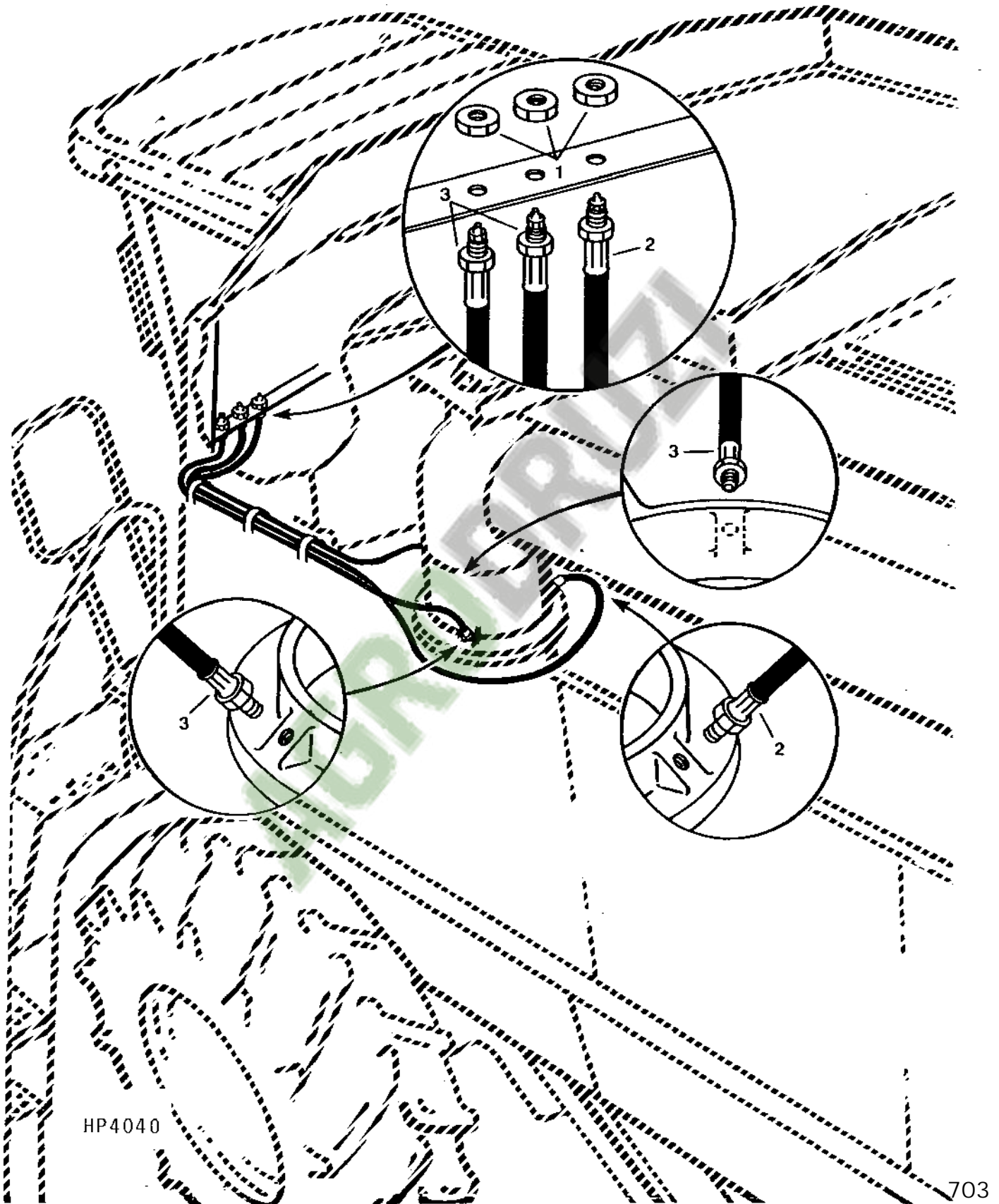
HP4033

702

10E20

CLEAN GRAIN ELEVATOR, GRAIN TANK AND UNLOADING AUGER

UNLOADING AUGER UPPER LUBE BANK
HP4040 -UN-01JAN94



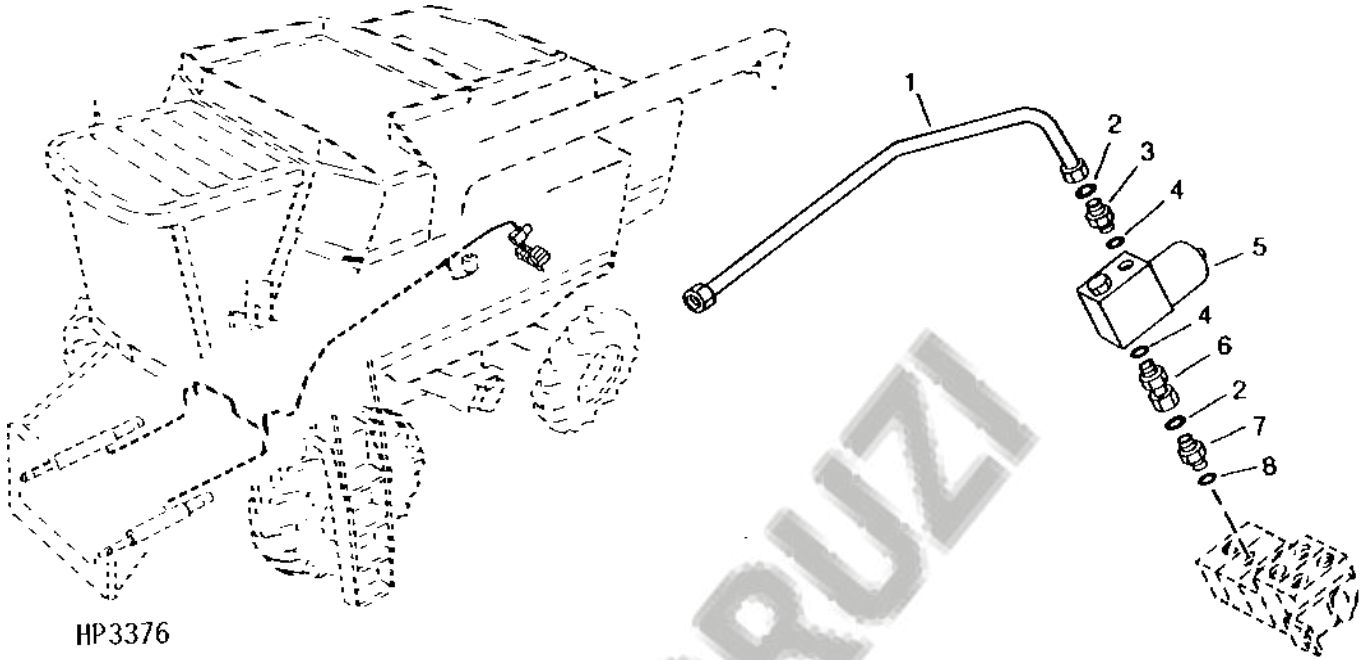
HP4040

703

10E23

DIAL-A-MATIC HEADER HEIGHT CONTROL

HYDRAULIC LINE AND VALVE BLOCK
(DIAL-A-MATIC HEADER HEIGHT CONTROL)
HP3376 -UN-01JAN94



HP3376

AGRODRUZI

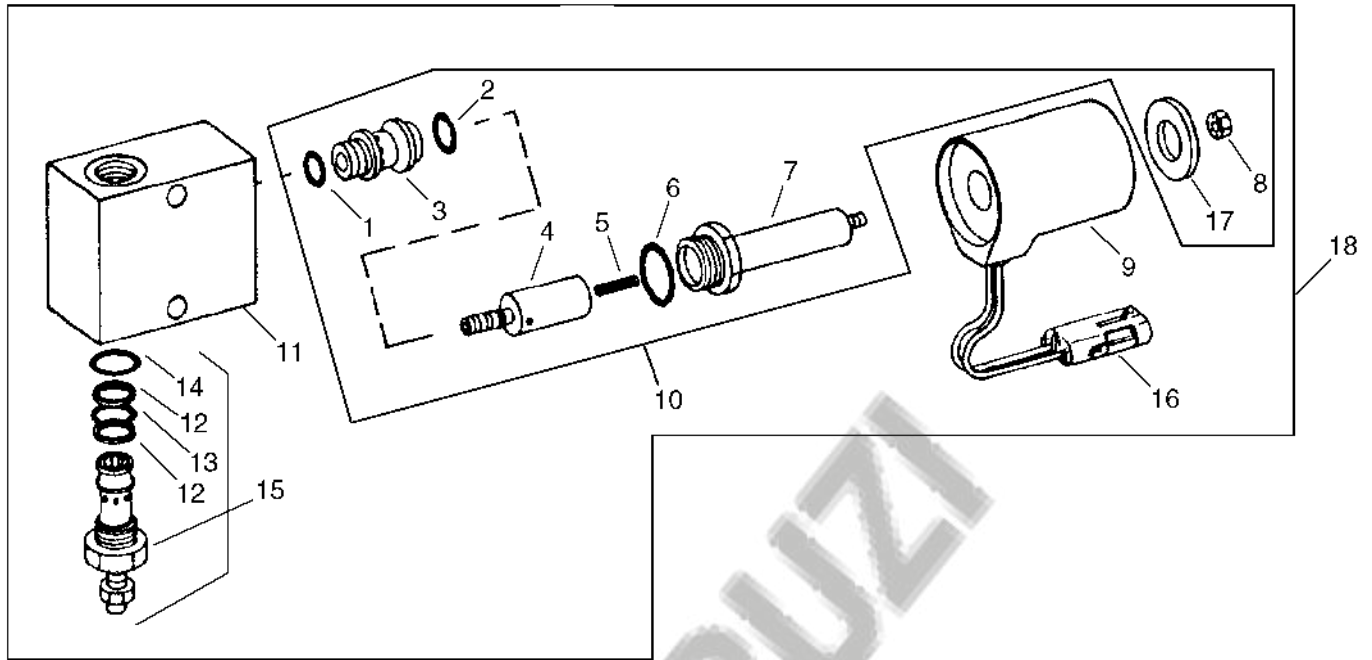
KEY	PART NO.	PART NAME	QTY	SERIAL NO.	REMARKS
-----	----------	-----------	-----	------------	---------

S
H
9
5
0
0

10E24

DIAL-A-MATIC HEADER HEIGHT CONTROL

DIAL-A-MATIC HEADER HEIGHT CONTROL VALVE
 HP8033 -UN-21APR99



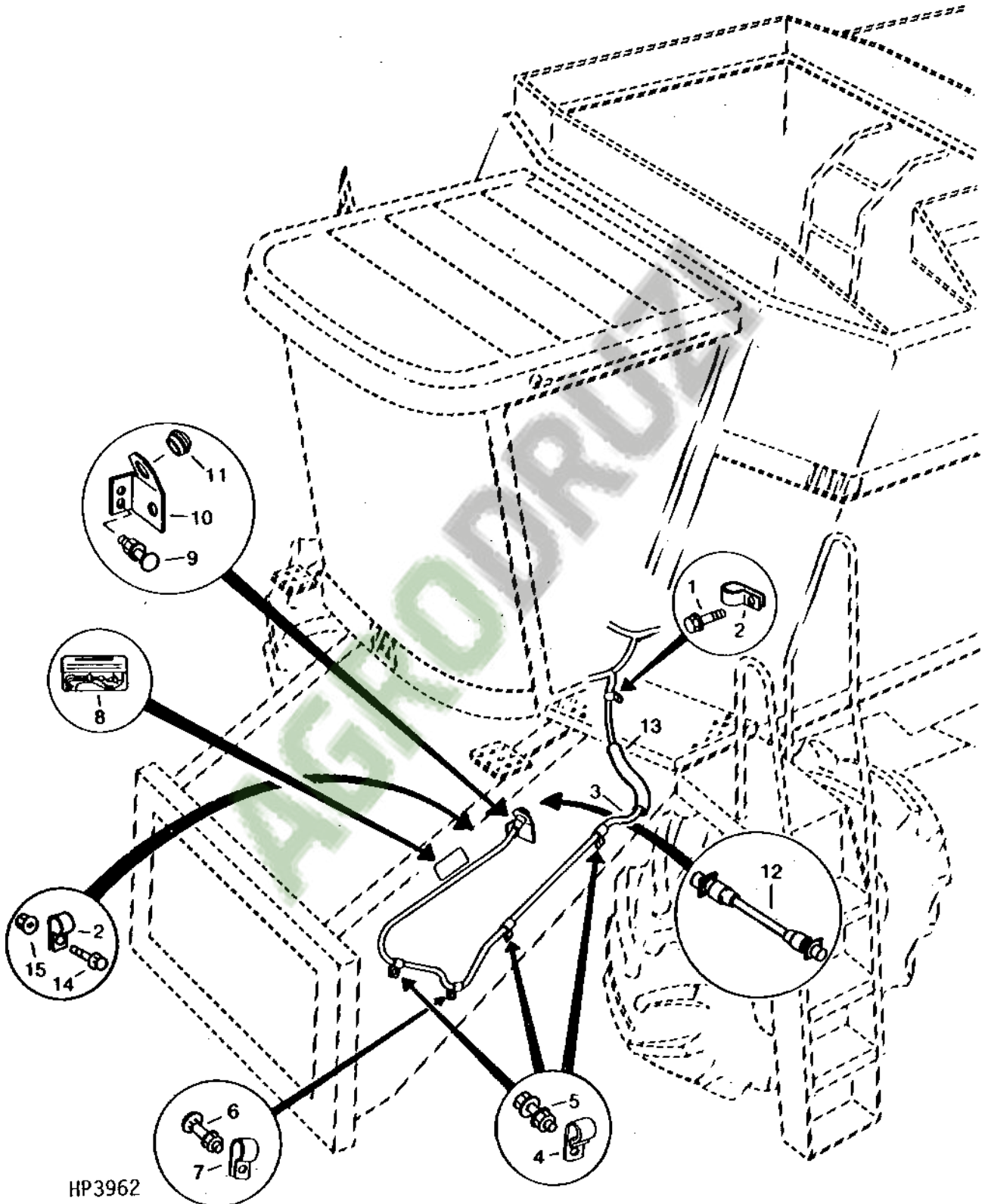
HP8033

KEY	PART NO.	PART NAME	QTY	SERIAL NO.	REMARKS
				S H 9 5 0 0	

10F1

DIAL-A-MATIC HEADER HEIGHT CONTROL

ELECTRICAL HARNESS
(DIAL-A-MATIC HEADER HEIGHT CONTROL)
HP3962 -UN-01JAN94



HP3962

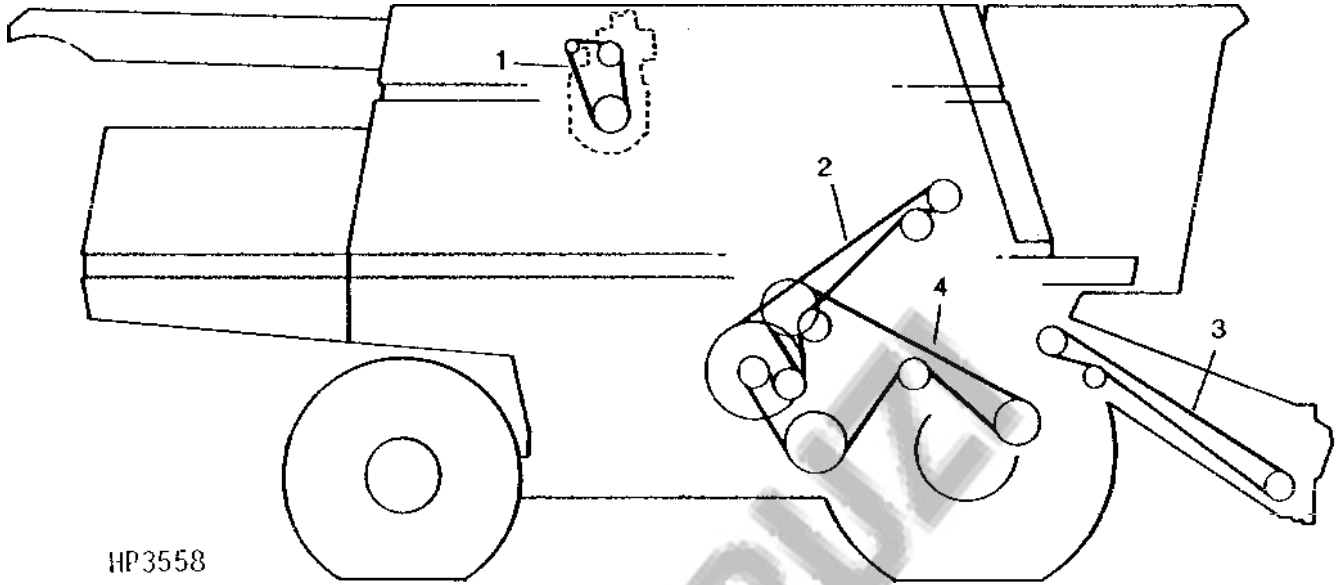
706

10F5

DECALS, BELTS AND CHAINS

ALTERNATOR, SECONDARY COUNTERSHAFT, FEEDER CONVEYOR, SHOE, STRAW WALKER AND CONVEYOR AUGERS

HP3558 -UN-01JAN94



HP3558

KEY	PART NO.	PART NAME	QTY	SERIAL NO.	REMARKS
-----	----------	-----------	-----	------------	---------

S
H
9 9
5 5
0 0
0 0

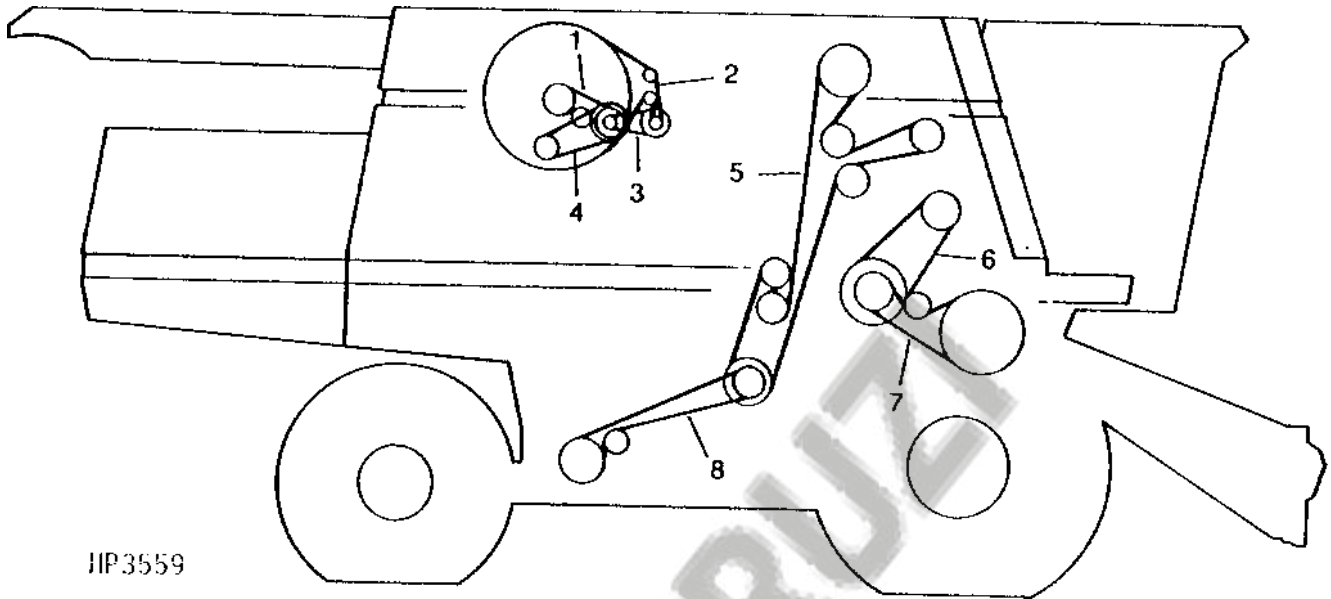
AGRODRINK

10F6

DECALS, BELTS AND CHAINS

COOLING FAN, ROTARY SCREEN, AIR CONDITIONING, CLEAN GRAIN ELEVATOR, CYLINDER INTERMEDIATE DRIVE,
CYLINDER DRIVE AND LOWER TAILINGS AUGER AND ELEVATOR

HP3559 -UN-01JAN94



HP3559

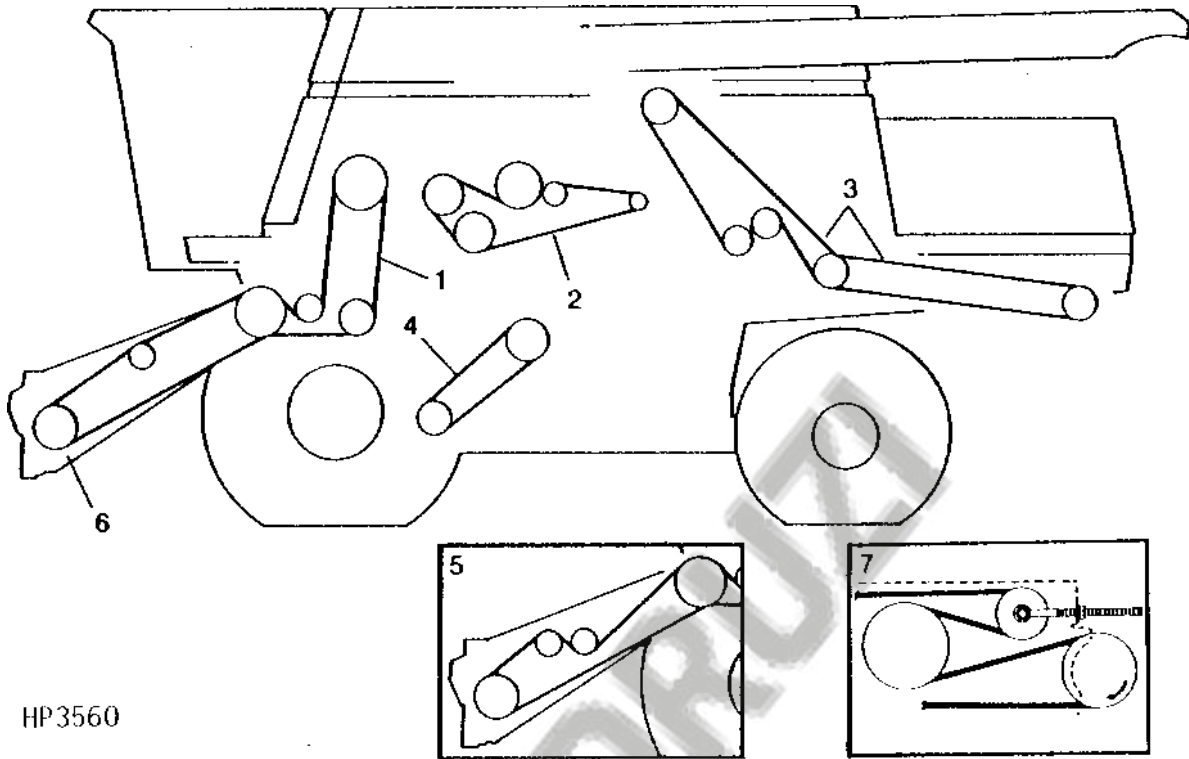
KEY	PART NO.	PART NAME	QTY	SERIAL NO.	S	H	REMARKS
					9	9	
					5	5	
					0	0	
					0	0	

10F7

DECALS, BELTS AND CHAINS

HEADER AND REEL PUMP, UNLOADING AUGERS, STRAW CHOPPER, CLEANING FAN, FEEDER HOUSE AND STRAW SPREADER (LEFT-HAND DRIVES)

HP3560 -UN-01JAN94



HP3560

KEY	PART NO.	PART NAME	QTY	SERIAL NO.	REMARKS
				S H 9 5 0 0	

AGRODRIVE

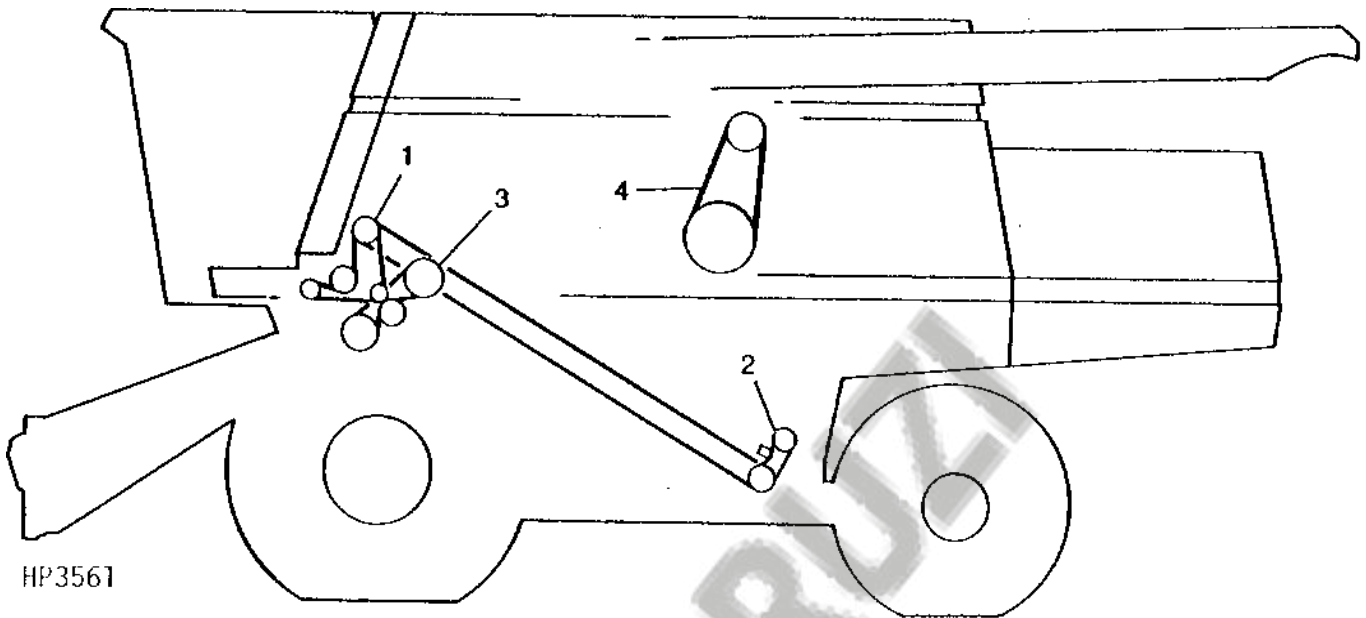
10F8

DECALS, BELTS AND CHAINS

TAILINGS AUGER, BEATER AND UNLOADING SYSTEM BELTS AND CHAINS

LEFT-HAND SIDE

HP3561 -UN-01JAN94



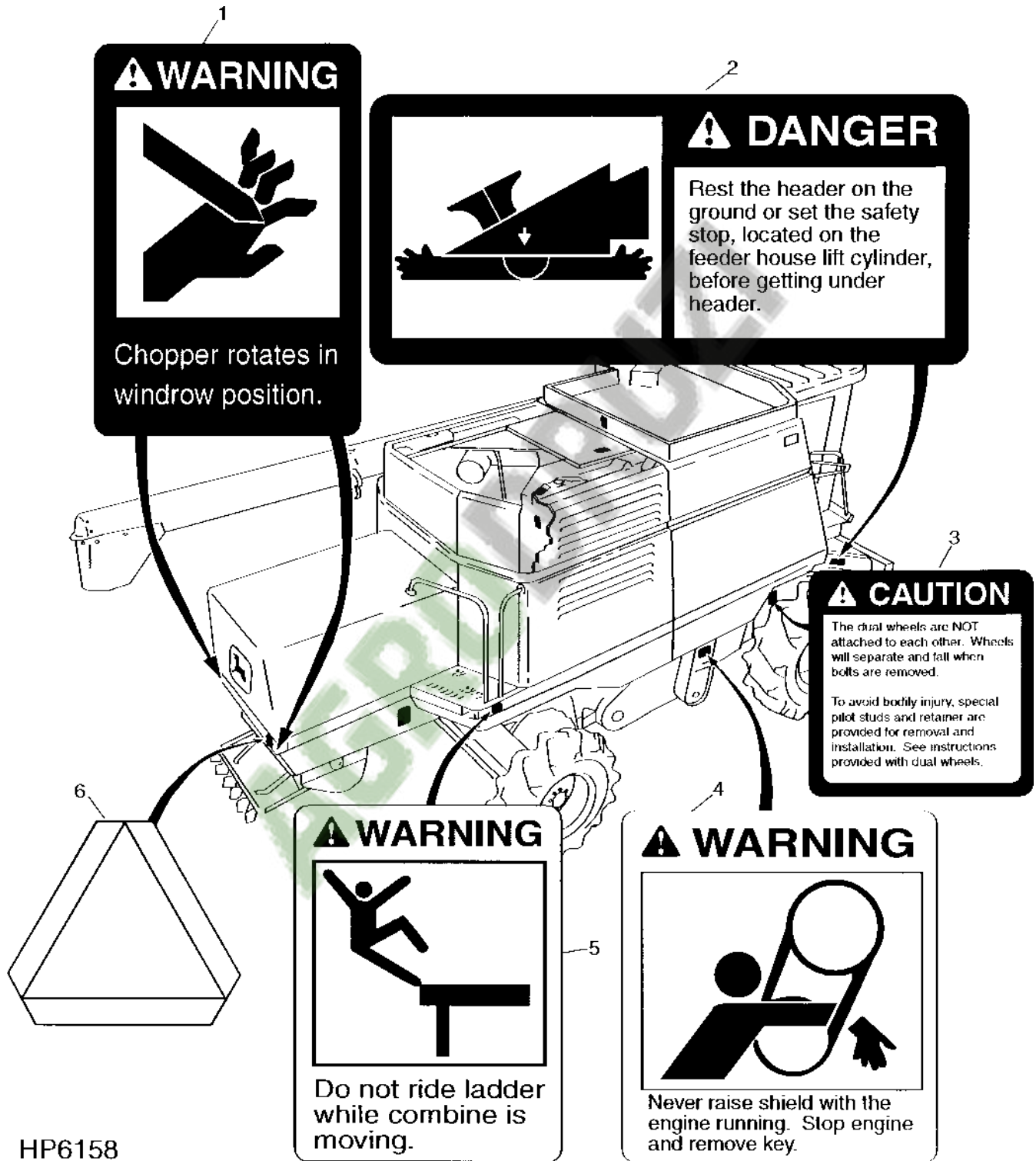
HP3561

KEY	PART NO.	PART NAME	QTY	SERIAL NO.	REMARKS
				S H 9 5 0 0	

AGRODRIVE

10F9

SAFETY DECALS AND LOCATIONS
HP6158 -19-09JAN96



HP6158

10F10

DECALS, BELTS AND CHAINS

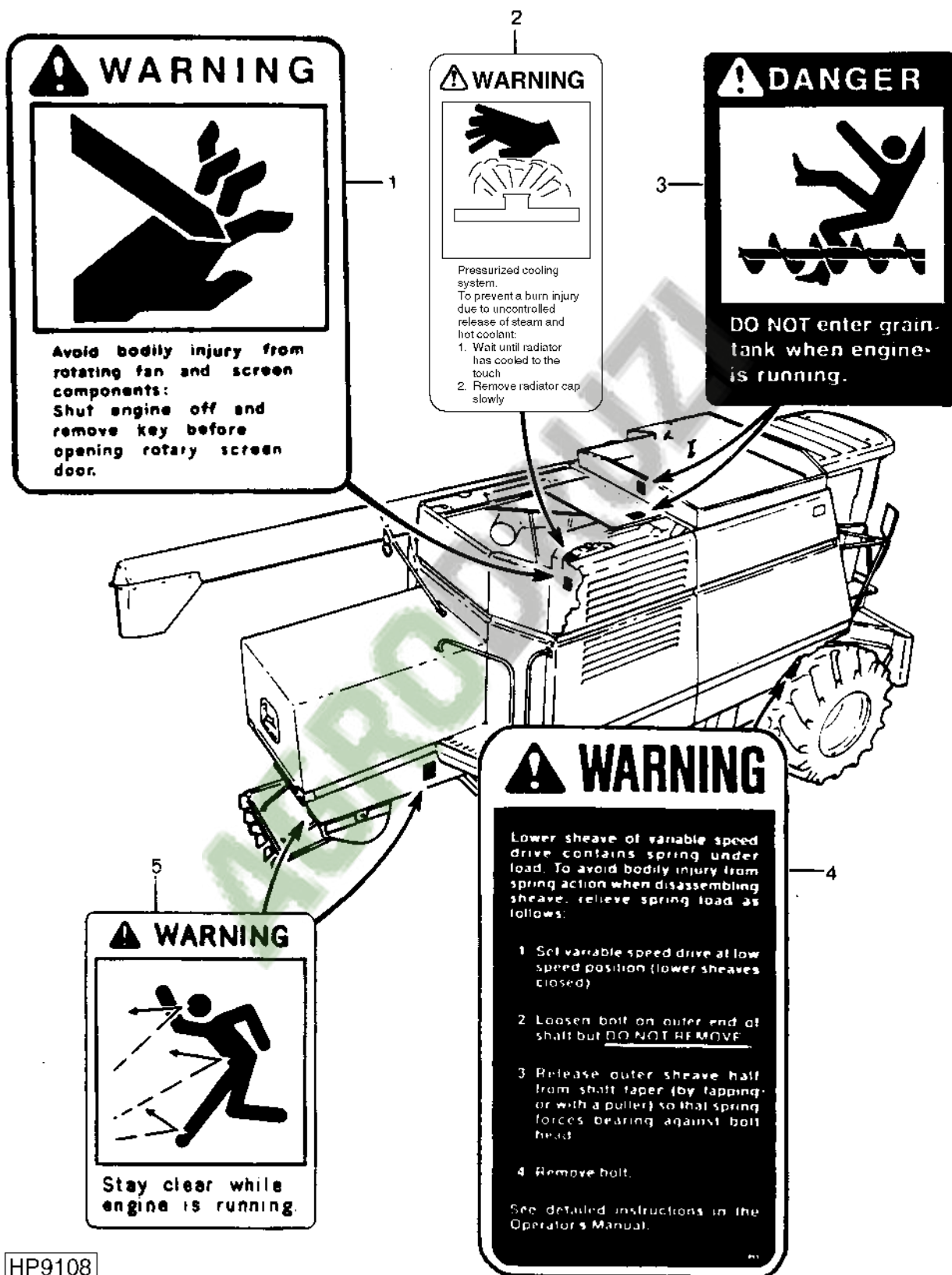
SAFETY DECALS AND LOCATIONS - CONTINUED

KEY	PART NO.	PART NAME	QTY	SERIAL NO.	S H 9 5 0 0	REMARKS
1	H149102	DECAL	1		X X	CHOPPER
2	H149063	LABEL	1		X X	HEADER
3	H122573	DECAL	1	-671162	X	DUAL WHEELS
	H122573	DECAL	1	-670500	X	
	H158975	DECAL	1	671163-	X	
	H158975	DECAL	1	670501-	X	
4	H149099	DECAL	1		X X	CLEAN GRAIN ELEVATOR
5	H149064	LABEL	1		X X	LADDER
6	JD5401	SMV EMBLEM	1	-661484	X X	(SUB JD5400) SMV (SLOW MOVING VEHICLE)
	JD5400	SMV EMBLEM	1		X X	SMV (SLOW MOVING VEHICLE)

AGRO DRUZI

SAFETY DECALS AND LOCATIONS

HP9108 -UN-04JAN99



HP9108

10F12

DECALS, BELTS AND CHAINS

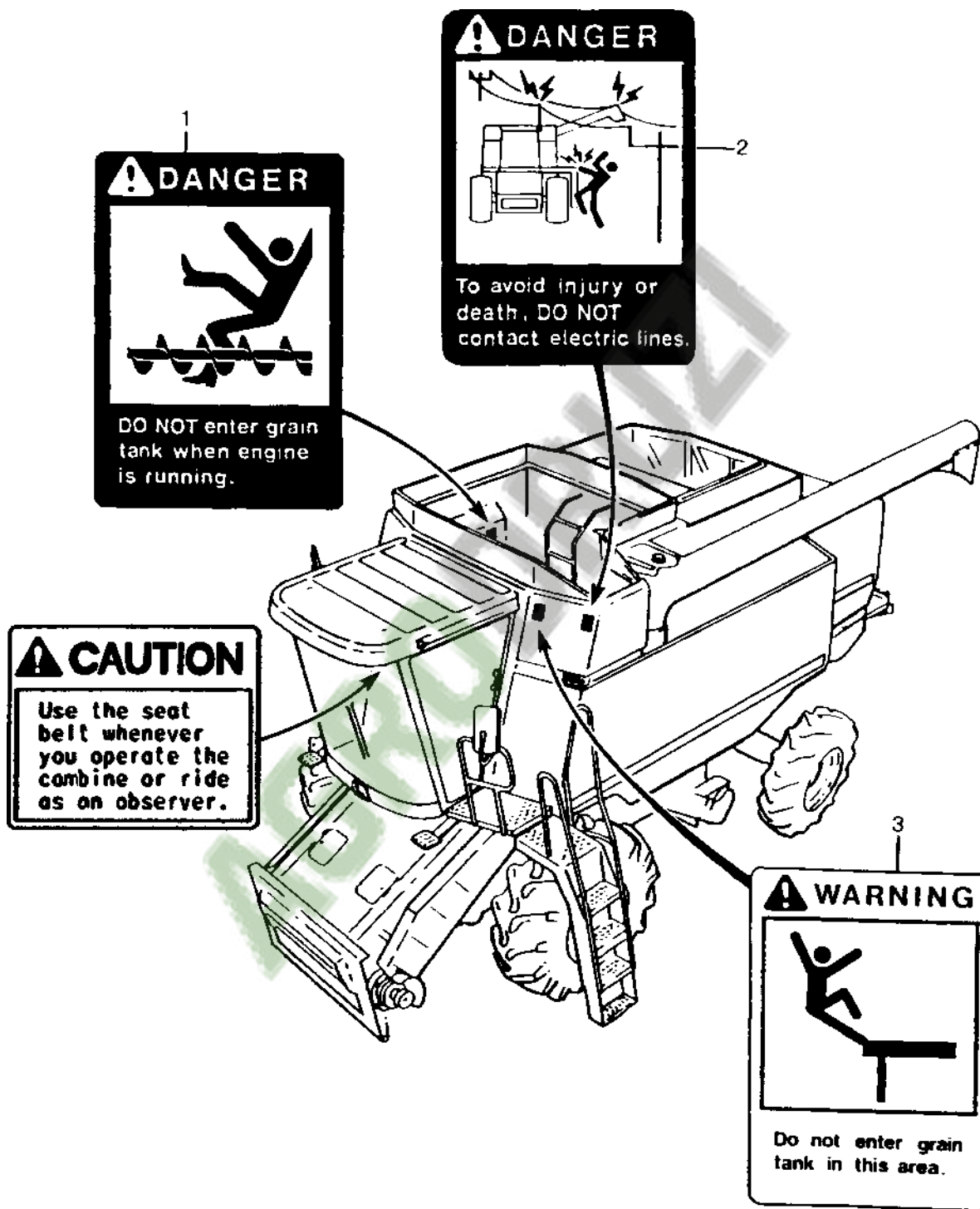
SAFETY DECALS AND LOCATIONS - CONTINUED

KEY	PART NO.	PART NAME	QTY	SERIAL NO.	S H 9 9 5 5 0 0 0 0	REMARKS
1	H149088	DECAL	1		X X	FAN AND ROTARY SCREEN
2	H169344	DECAL	1		X X	(SUB FOR A2913R) PRESSURE COOLING SYSTEM
3	H149062	DECAL	2		X X	GRAIN TANK
4	H149037	DECAL	1		X X	VARIABLE CYLINDER DRIVE
5	H149096	LABEL	2		X X	PROJECTILE

AGRO DRUZI

10F13

SAFETY DECALS AND LOCATIONS
HP6221 -UN-04JAN96



HP6221

10F14

DECALS, BELTS AND CHAINS

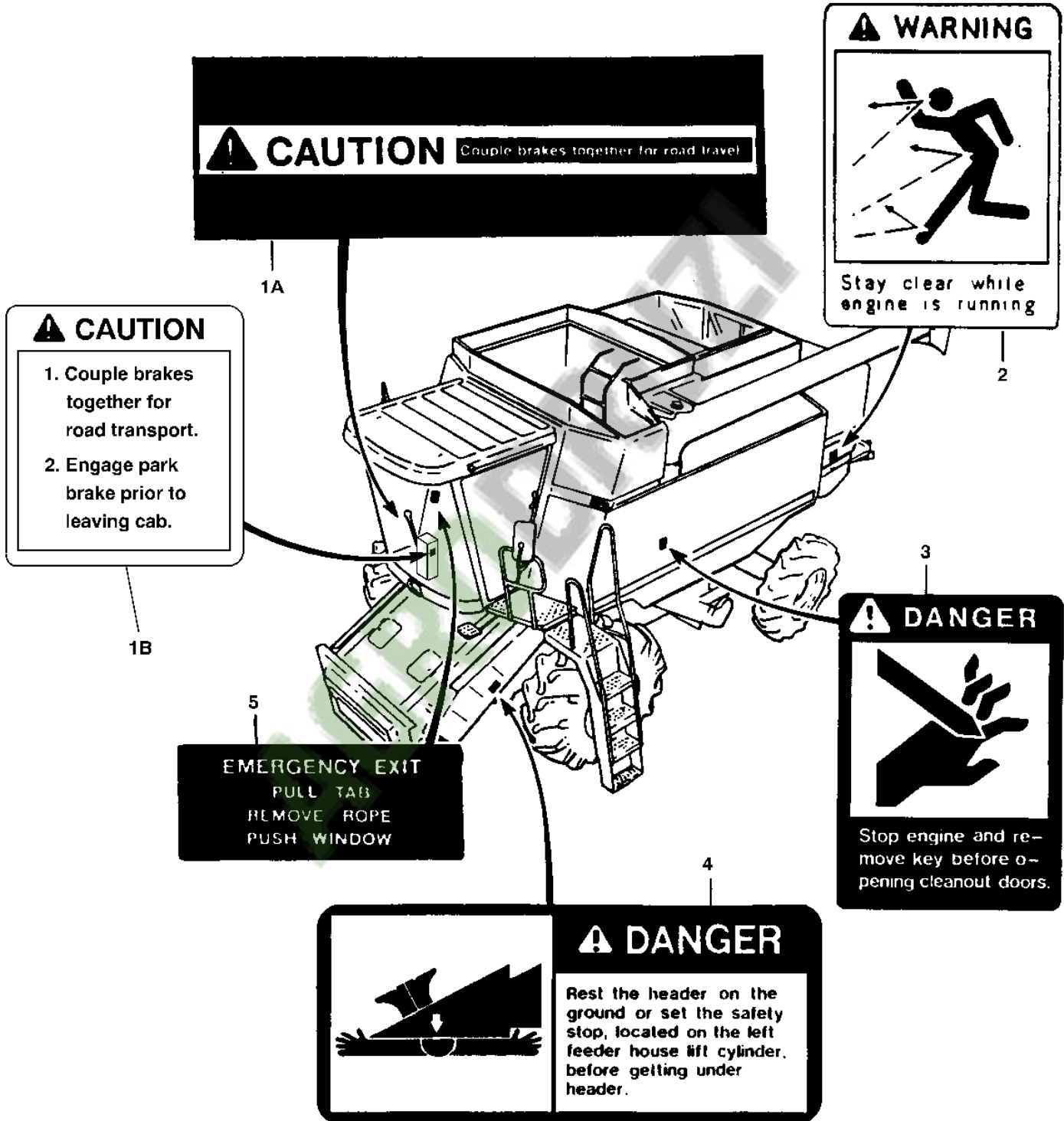
SAFETY DECALS AND LOCATIONS - CONTINUED

KEY	PART NO.	PART NAME	QTY	SERIAL NO.	S H 9 5 0 0	REMARKS
1	H149062	DECAL	1		X X	GRAIN TANK
2	H149090	LABEL	1		X X	POWERLINE
3	H149065	LABEL	2		X X	FRONT ENTRY
4	H155510	SIGN	1	665201-	X X	SEATBELT

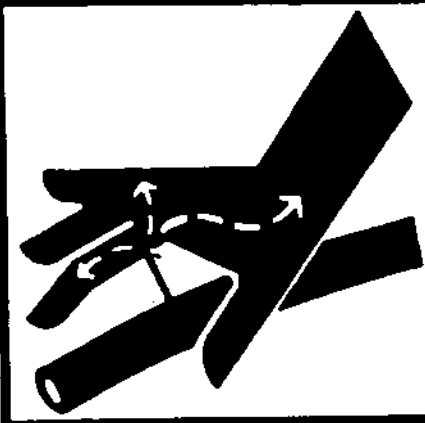
AGRO DRUZI

10F15

SAFETY DECALS AND LOCATIONS
HP6549 -UN-23AUG96



HP6549



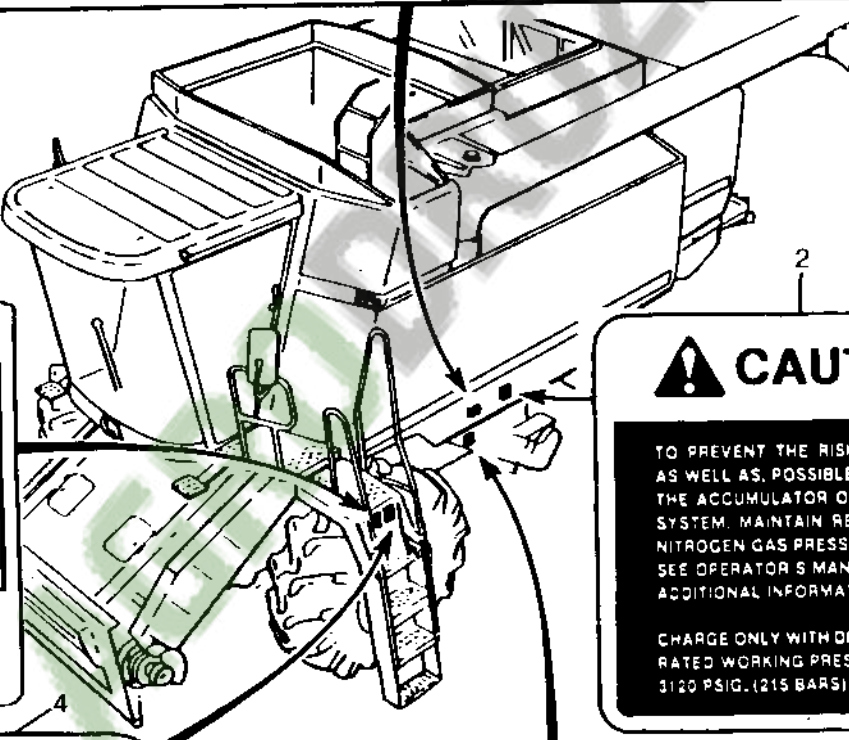
⚠ WARNING

Avoid bodily injuries from hydraulic oil and gas under pressure.

Before removing or charging accumulator


1. With feederhouse or header on the ground or in a supported position, open hand valve.
2. Start engine and hold header height control to lower position for 5 seconds to relieve system hydraulic pressure.
3. Stop engine.

Use only DRY NITROGEN for recharging accumulator.
See your John Deere dealer.



5

⚠ WARNING



Do not ride ladder while combine is moving.

2

⚠ CAUTION

TO PREVENT THE RISK OF INJURY, AS WELL AS POSSIBLE DAMAGE TO THE ACCUMULATOR OR HYDRAULIC SYSTEM, MAINTAIN RECOMMENDED NITROGEN GAS PRESSURE. SEE OPERATOR'S MANUAL FOR ADDITIONAL INFORMATION.

CHARGE ONLY WITH DRY NITROGEN. RATED WORKING PRESSURE IS 3120 PSIG. (215 BARS)


4

⚠ CAUTION

1. Keep all shields in place.
2. Disengage and shut off all engine and/or motor power before servicing or unclagging machine.
3. Keep hands, feet, and clothing away from power driven parts.

3

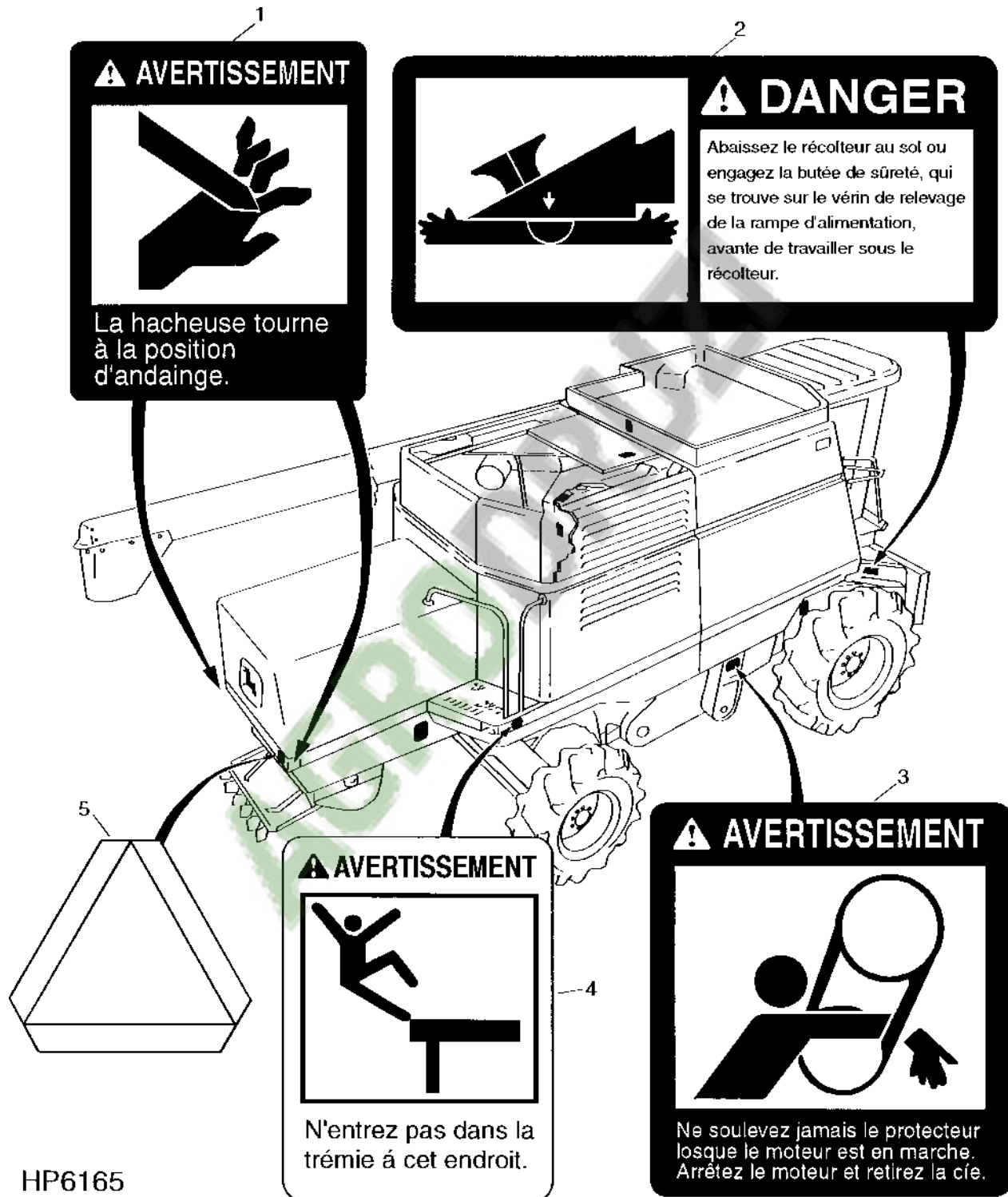
⚠ WARNING

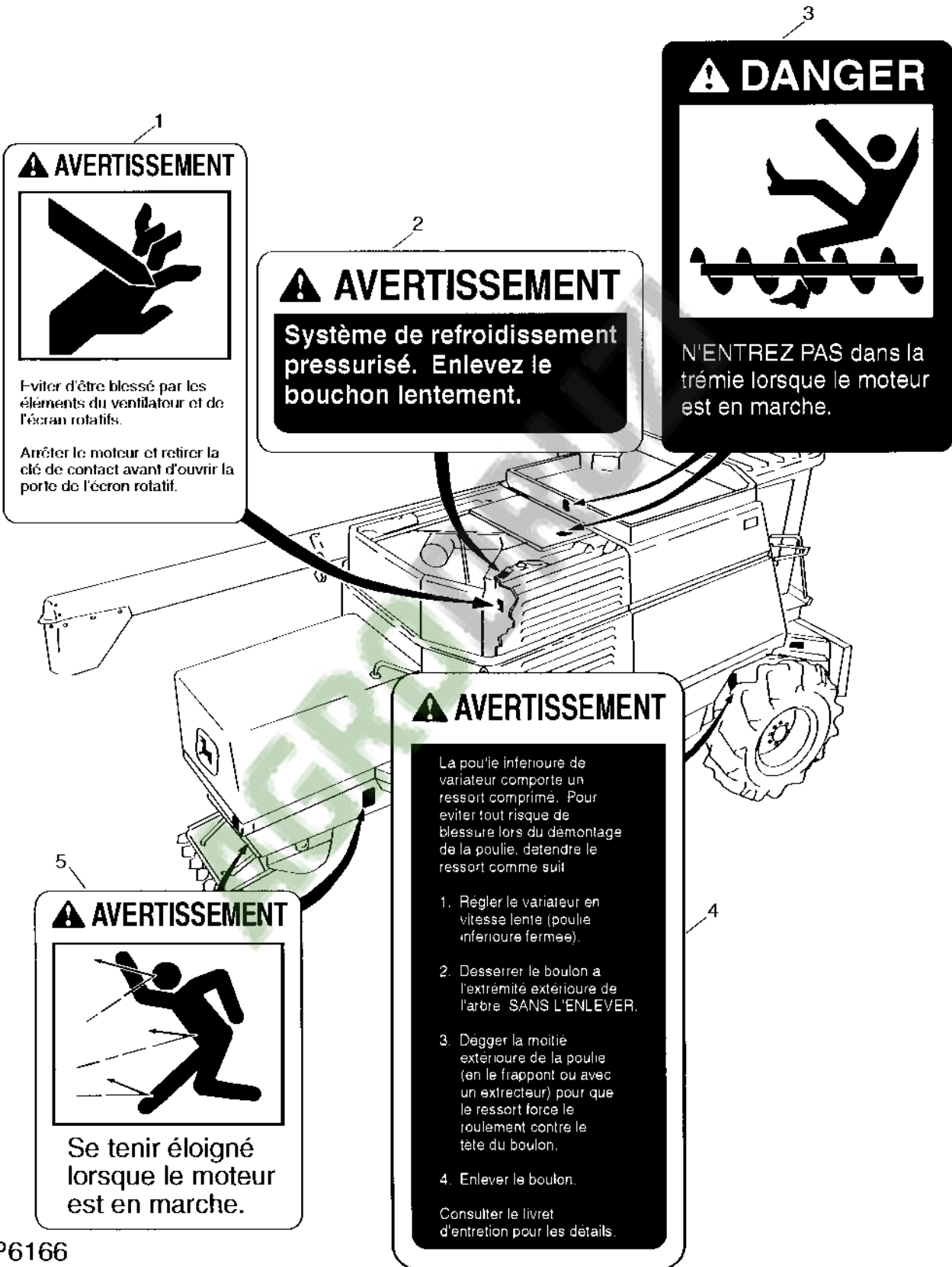


Never raise shield with the engine running. Stop engine and remove key.

HP6163

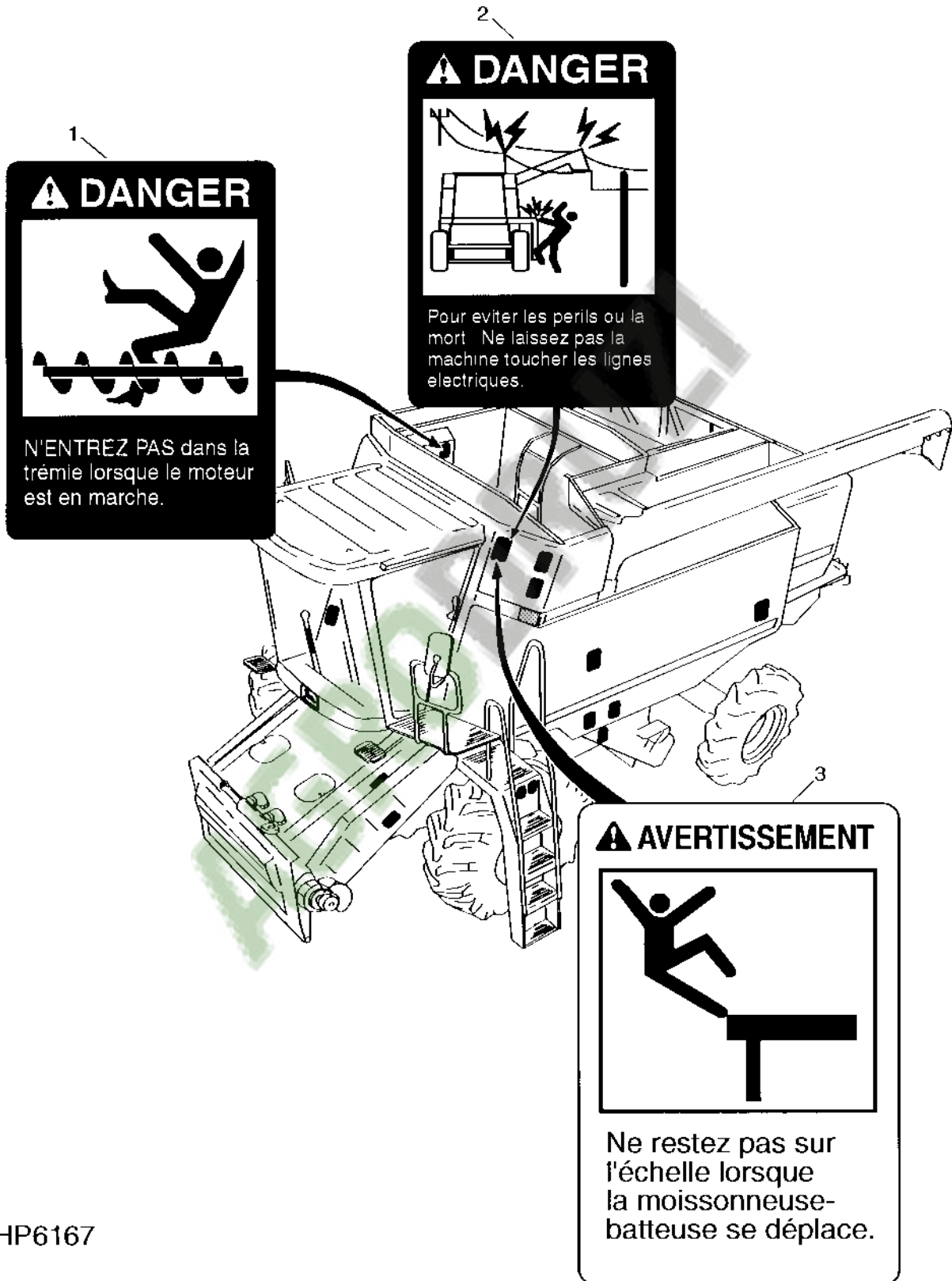
718





HP6166

720



HP6167

10G1

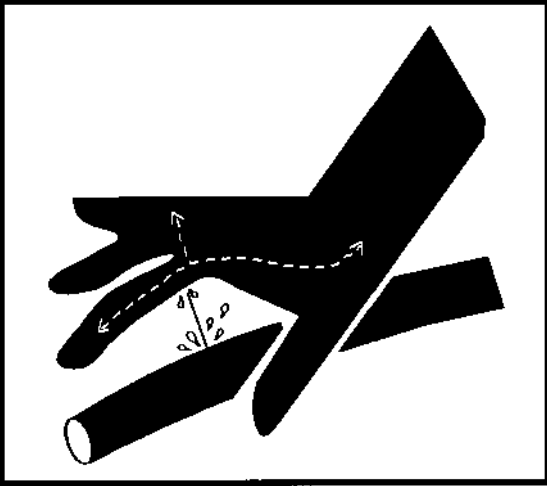
SAFETY DECALS AND LOCATIONS - FRENCH

HP6168 -28-20SEP95



HP6168

1

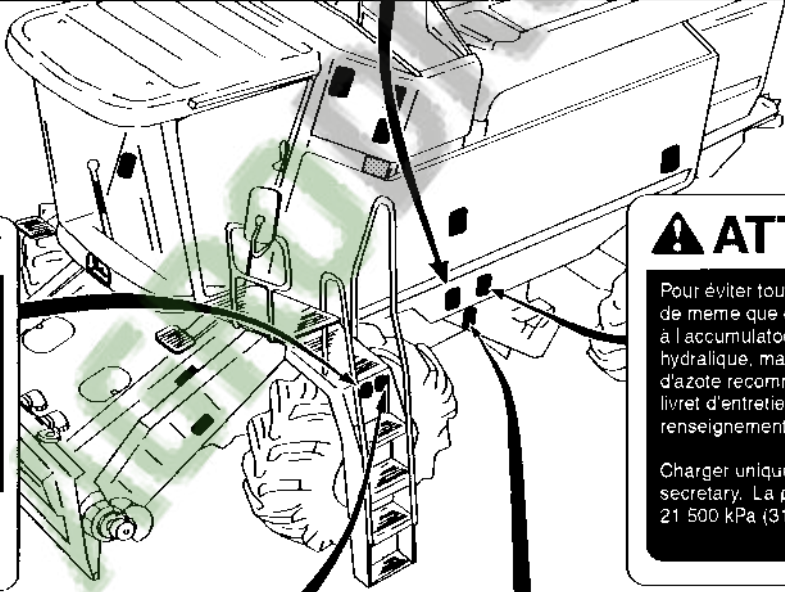


⚠ AVERTISSEMENT

Éviter les blessures corporelles provenant de l'huile hydraulique et du carburant sous pression. Avant d'enlever, de démonter ou de charger l'accumulateur:


1. Avec le rampe d'alimentation ou le récolteur ou sel ou on position soutenue, ouvrir le souapepe manuelle.
2. Faire émettre le moteur et tenir le commande de houtour du récolteur e le position inferioure pendant 5 secondes pour reduire le pression hydraulique du systeme.
3. Arrêter le moteur.

Utiliser uniquement de L'AZOTE secretary pour recharger l'accumulateur. Consulter le concessionnaire John Deere.



5

⚠ AVERTISSEMENT



N'entrez pas dans la trémie à cet endroit.

2

⚠ ATTENTION

Pour éviter tout de blessures de meme que des dammages possibles à l'accumulateur ou au système hydraulique, maintenir la pression d'azote recommandée. Consulter le livret d'entretien pour des renseignements supplémentaires.

Charger uniquement avec de l'azote secretary. La pression nominale est de 21 500 kPa (3120 psi)

4

⚠ ATTENTION

1. Laissez tous les protecteurs en place.
2. Debrayez et arrêtez le moteur ou l'entraînement avant de protéger à toute opération d'entretien sur la machine.
3. Tenez vos vêtements à l'écart des pièces mobiles.

3

⚠ AVERTISSEMENT

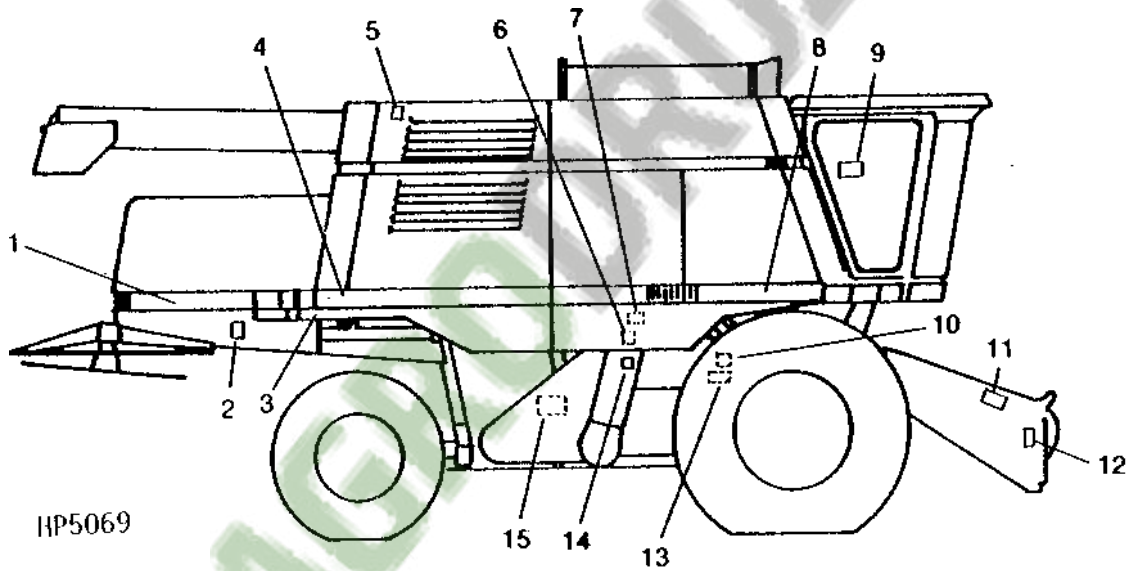


Ne soulevez jamais le protecteur lorsque le moteur est en marche. Arrêtez le moteur et retirez la clé.

HP6169

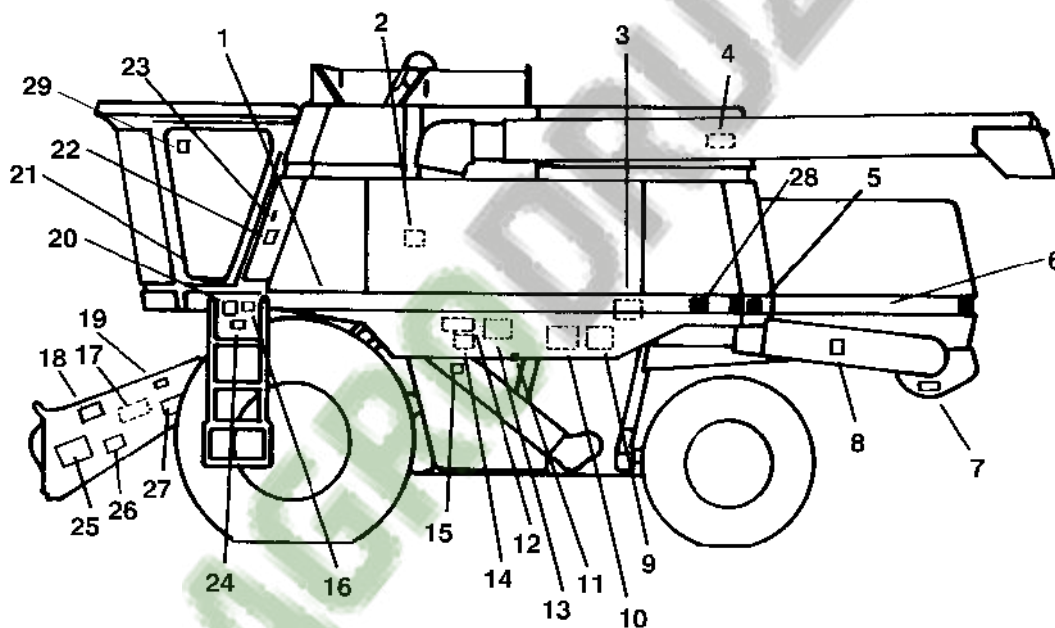
10G5

RIGHT-HAND DECALS
HP5069 -UN-01JAN94



10G7

LEFT-HAND DECALS
HP6681 -UN-21MAR97

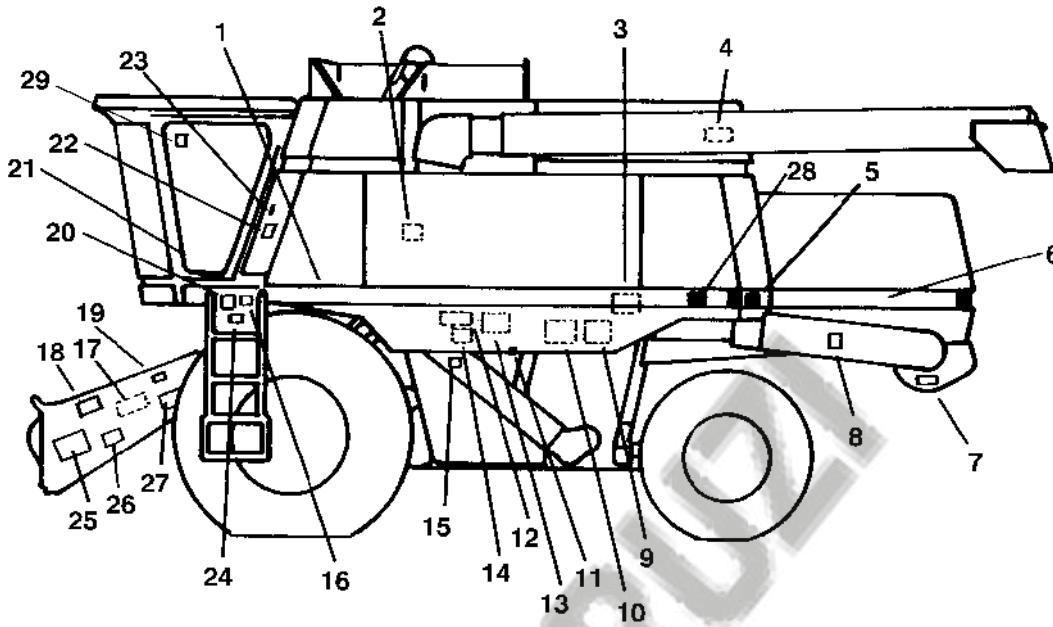


HP6681

10G9

DECALS, BELTS AND CHAINS

LEFT-HAND DECALS - CONTINUED
 HP6681 -UN-21MAR97

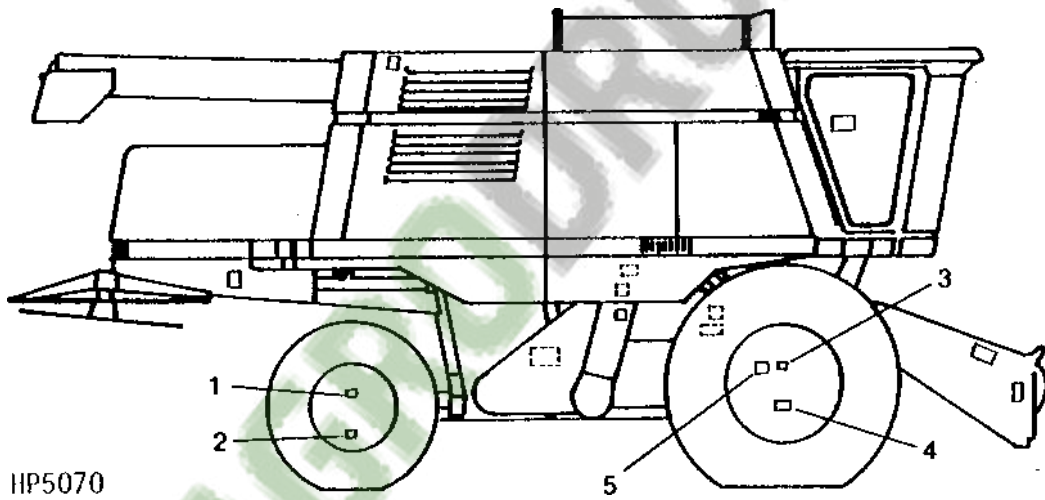


HP6681

KEY	PART NO.	PART NAME	QTY	SERIAL NO.	REMARKS
				S H 9 9 5 5 0 0 0 0	

10G10

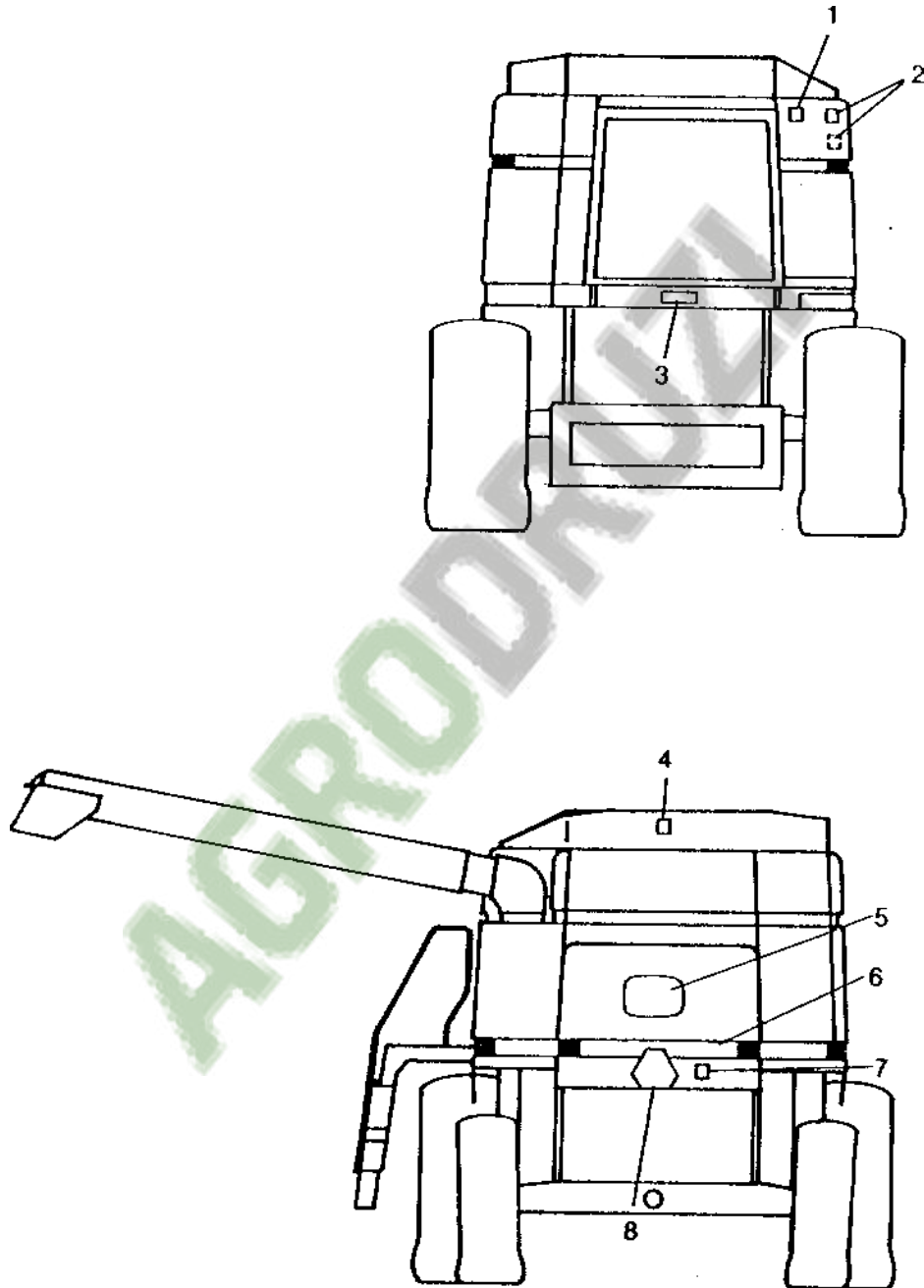
FRONT AND REAR WHEEL DECALS
HP5070 -UN-01JAN94



HP5070

10G12

FRONT AND REAR DECALS
HP3550 -UN-01JAN94

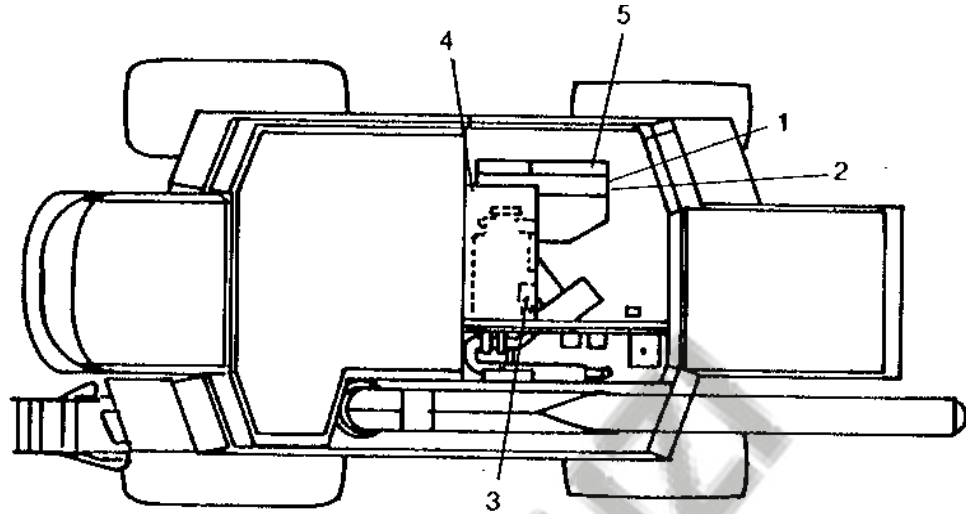


HP3550

10G14

DECALS, BELTS AND CHAINS

TOP DECALS
HP3551 -UN-01JAN94



HP3551

KEY	PART NO.	PART NAME	QTY	SERIAL NO.	REMARKS
-----	----------	-----------	-----	------------	---------

S
H
9 9
5 5
0 0
0 0

AGRODRUM