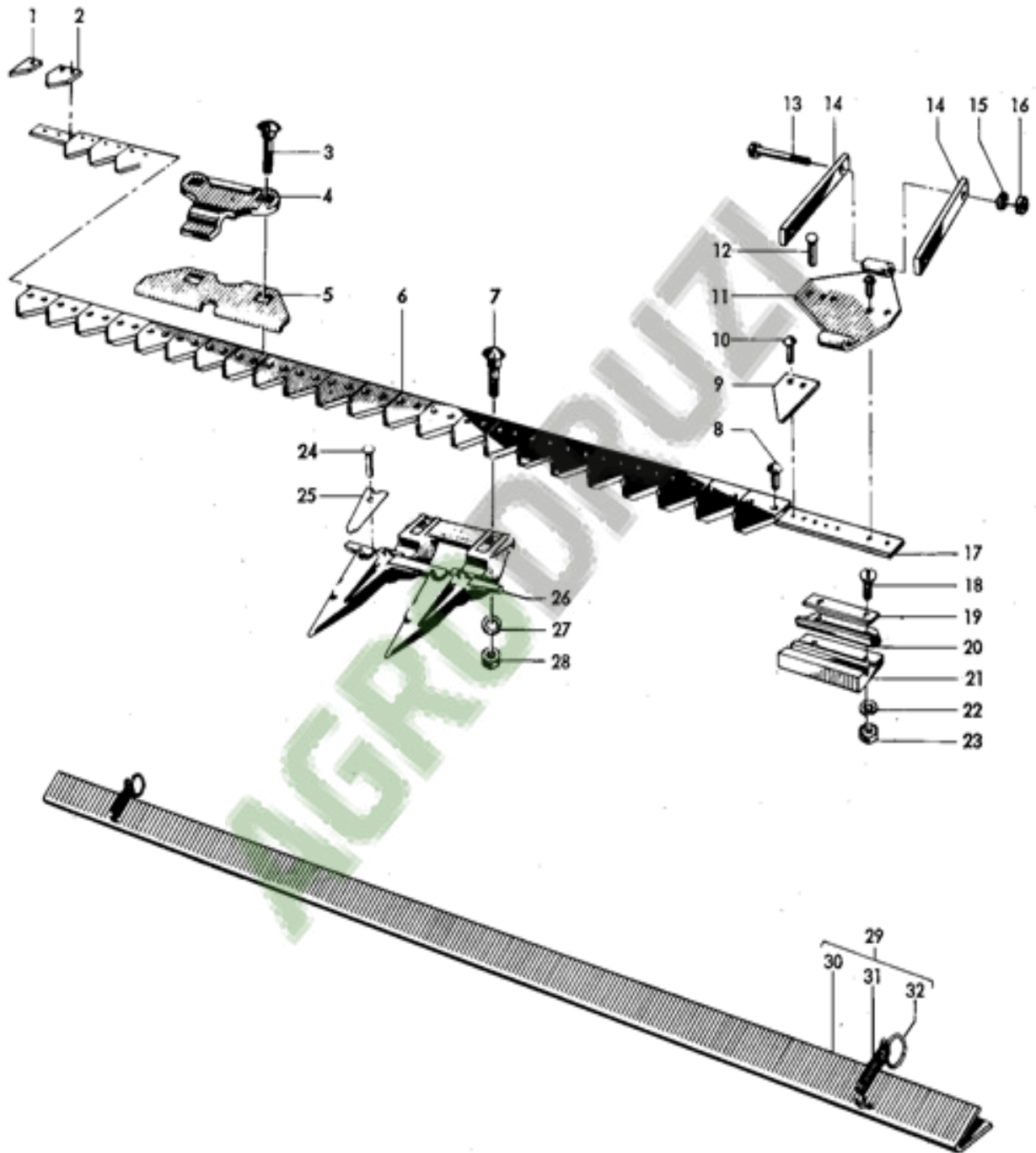




**MASSEY FERGUSON**

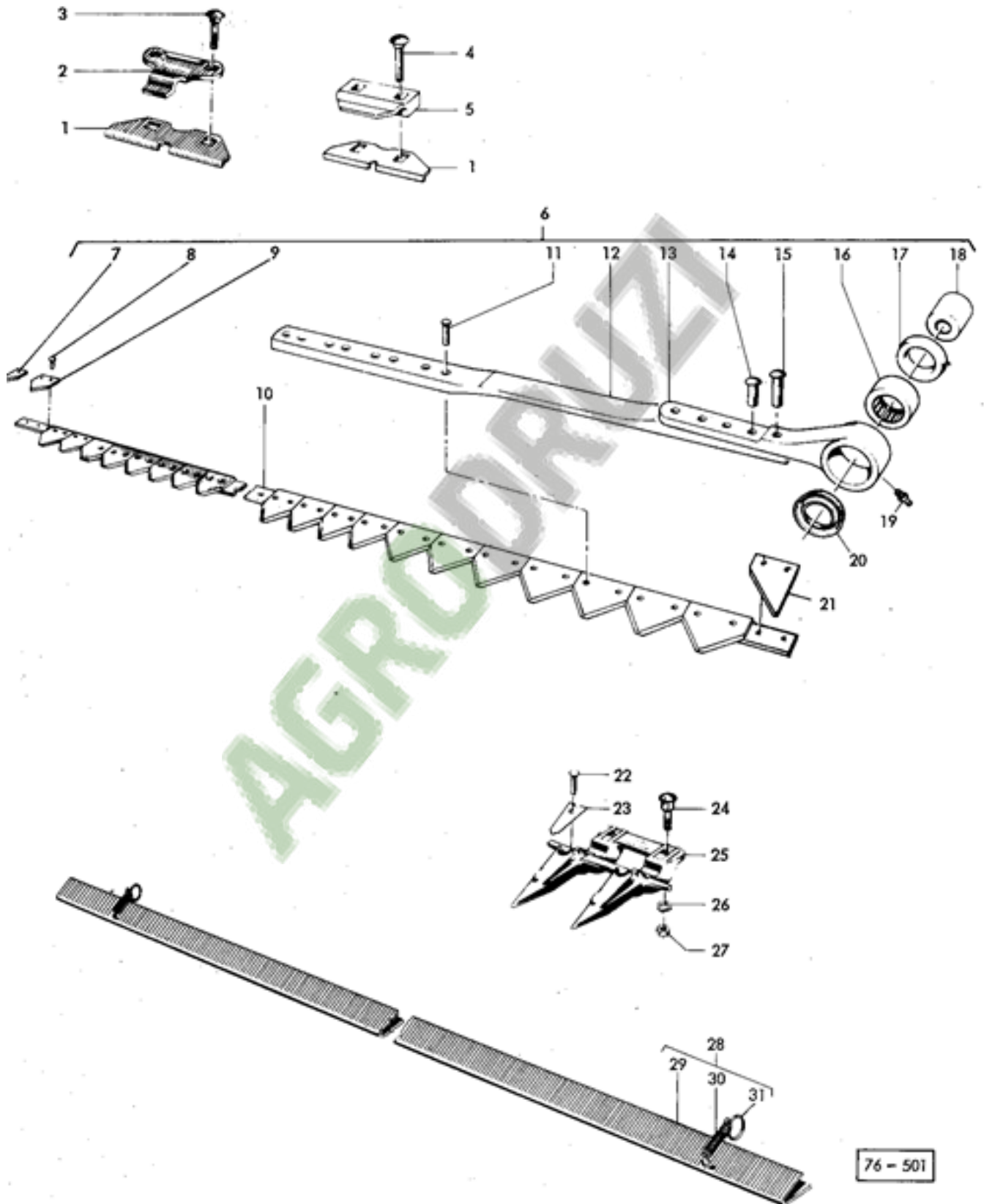
**206, 240**

MESSER KURBELANTRIEB  
KNIFE CRANK DRIVE  
LAME COMMANDE A MANIVELLE

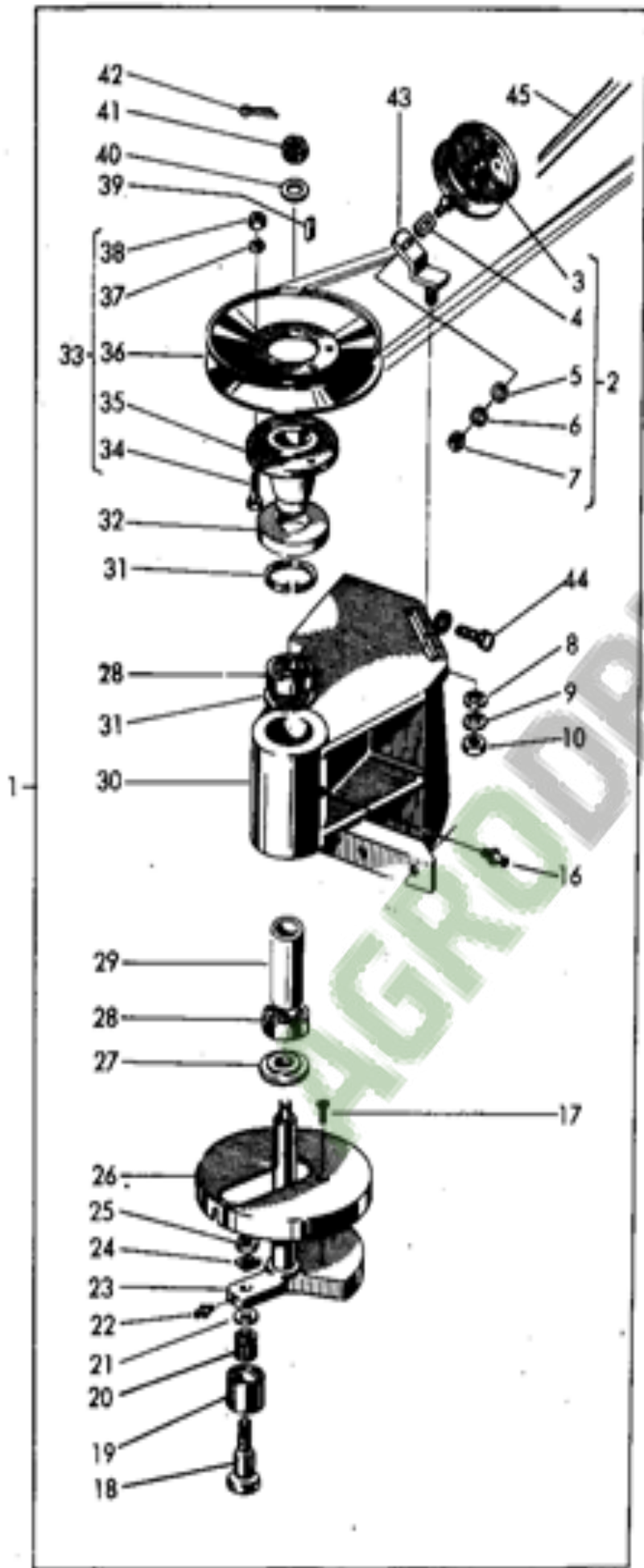


76-500

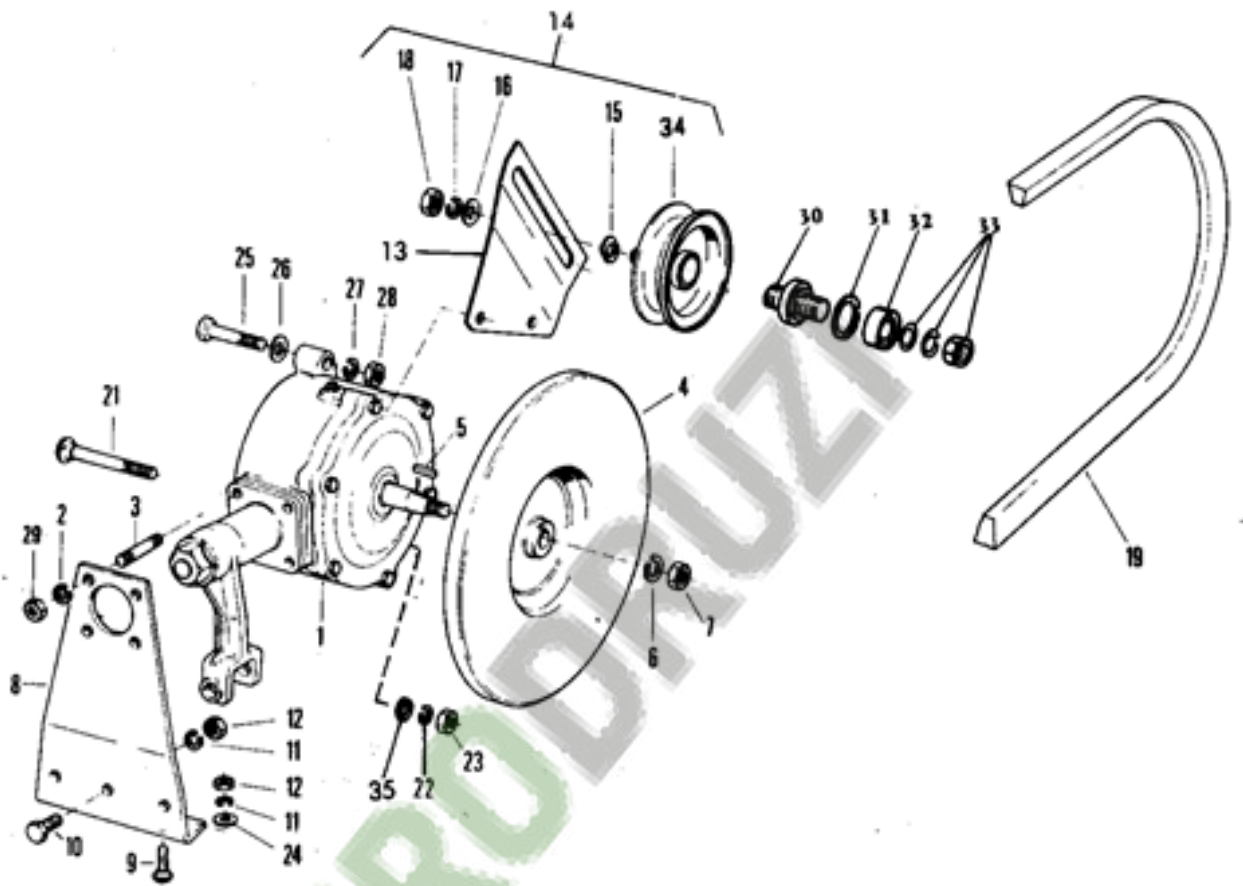
MESSER TAUMELANTRIEB  
 KNIFE HOBBLE DRIVE  
 LAME COMMANDE OSCILLANTE



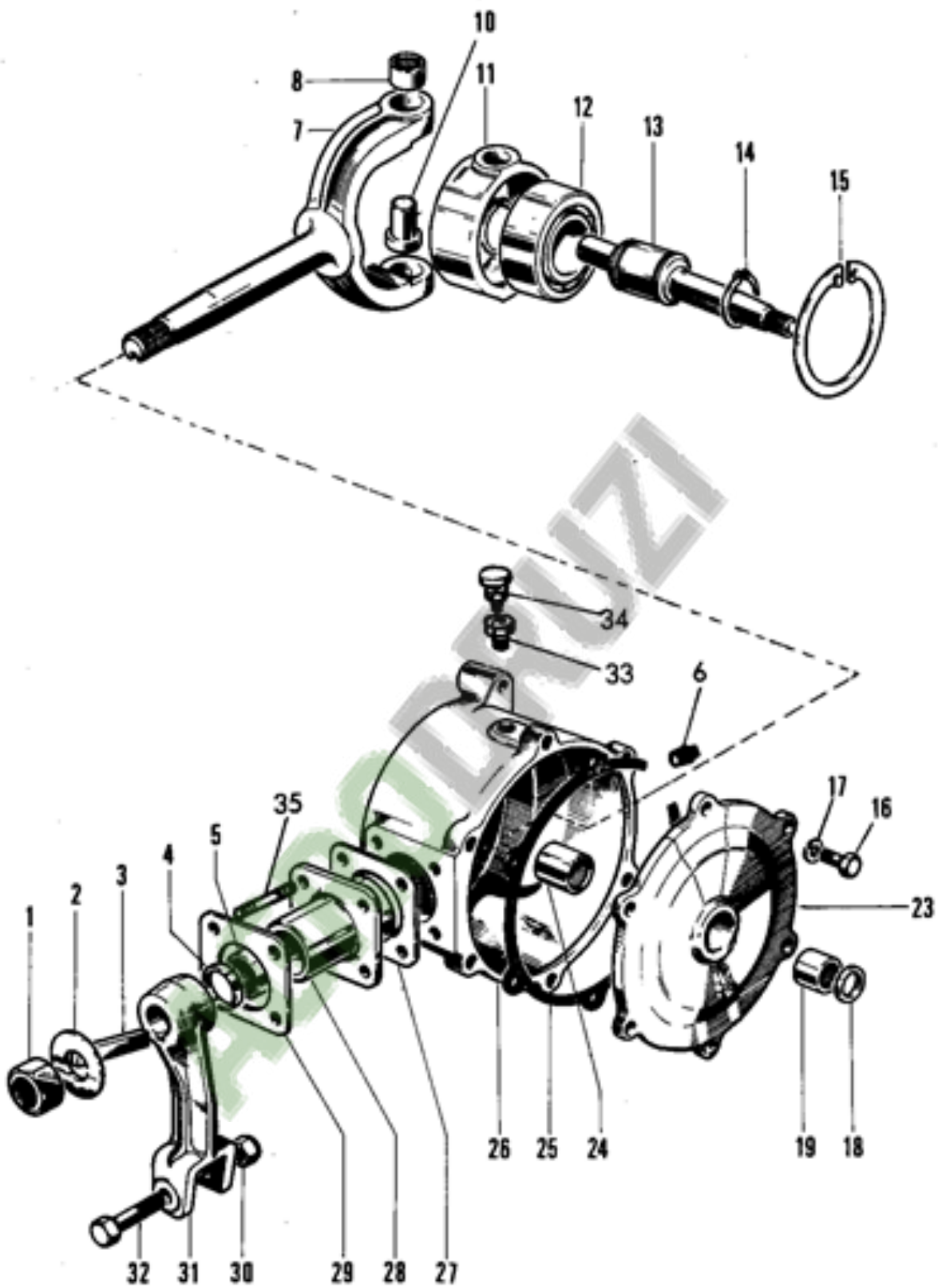
76 - 501



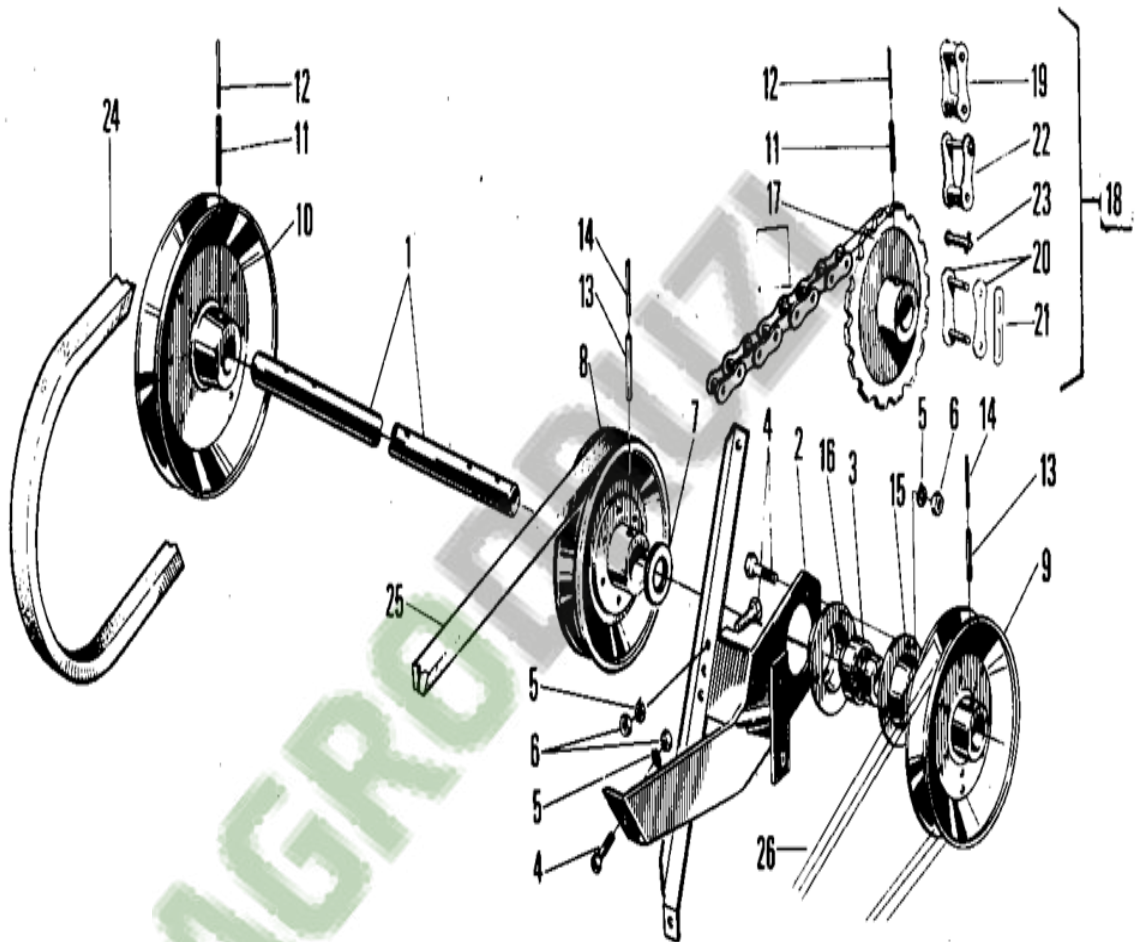




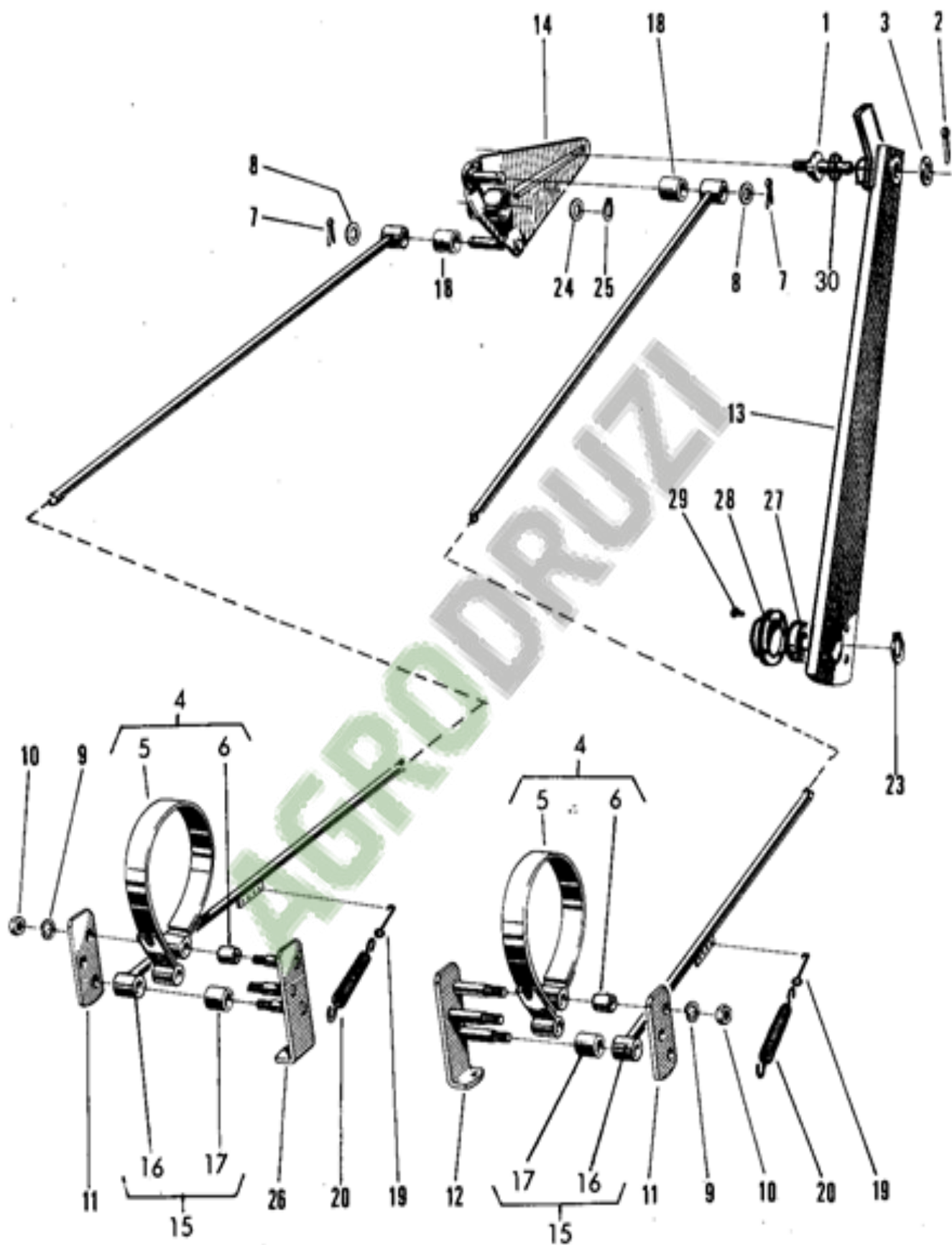
78-83



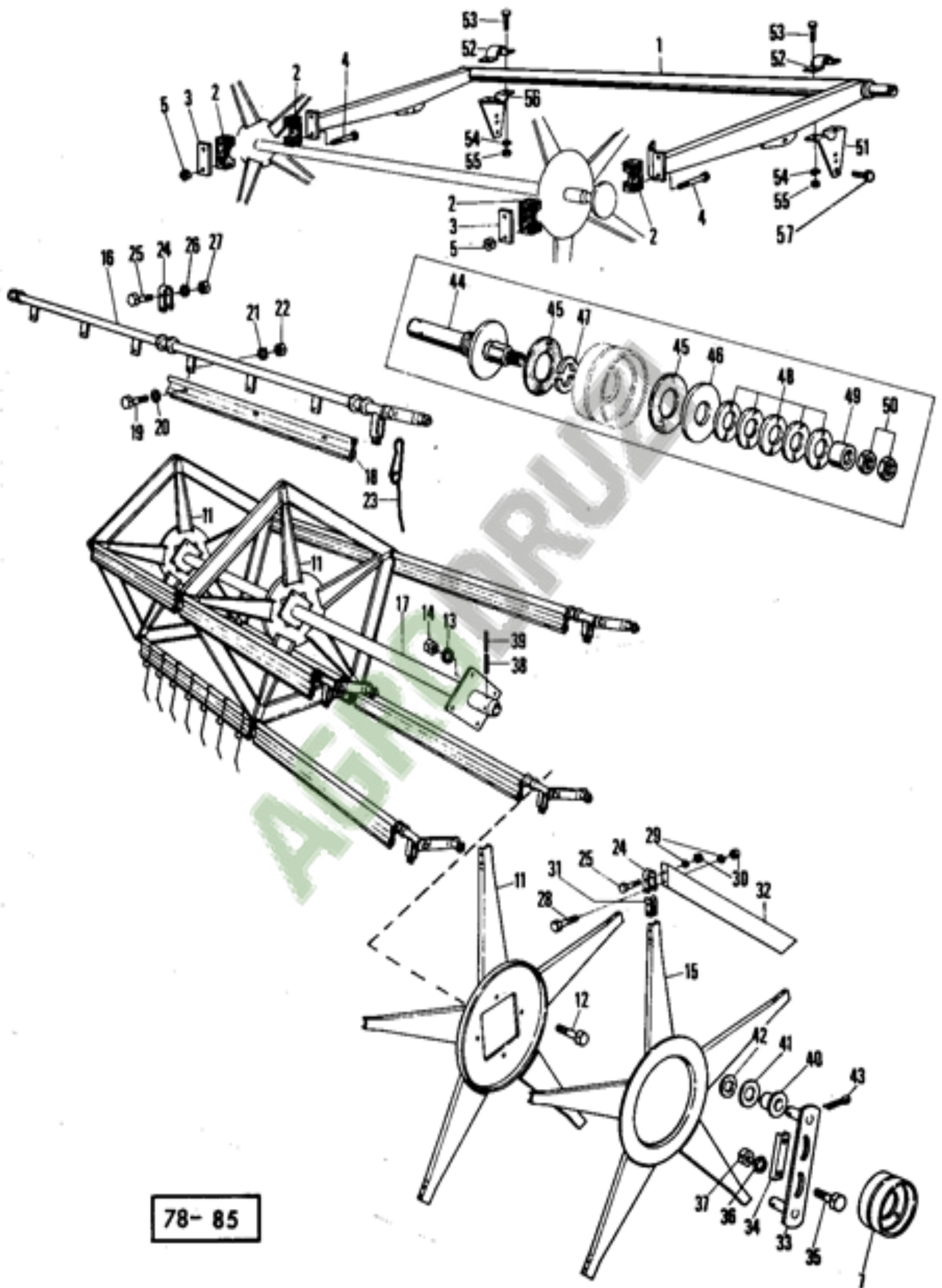
78-84



76-529

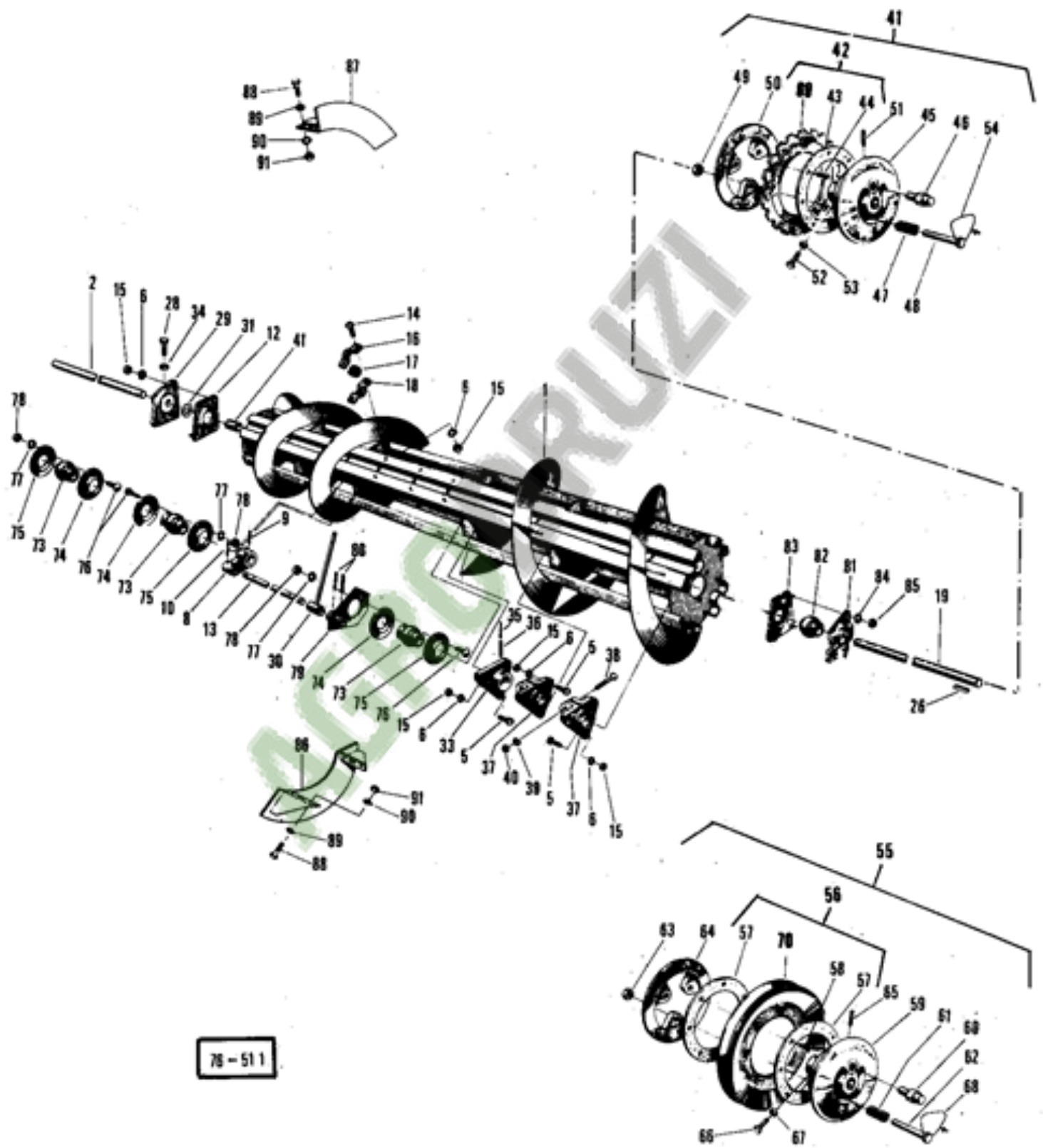


76-530

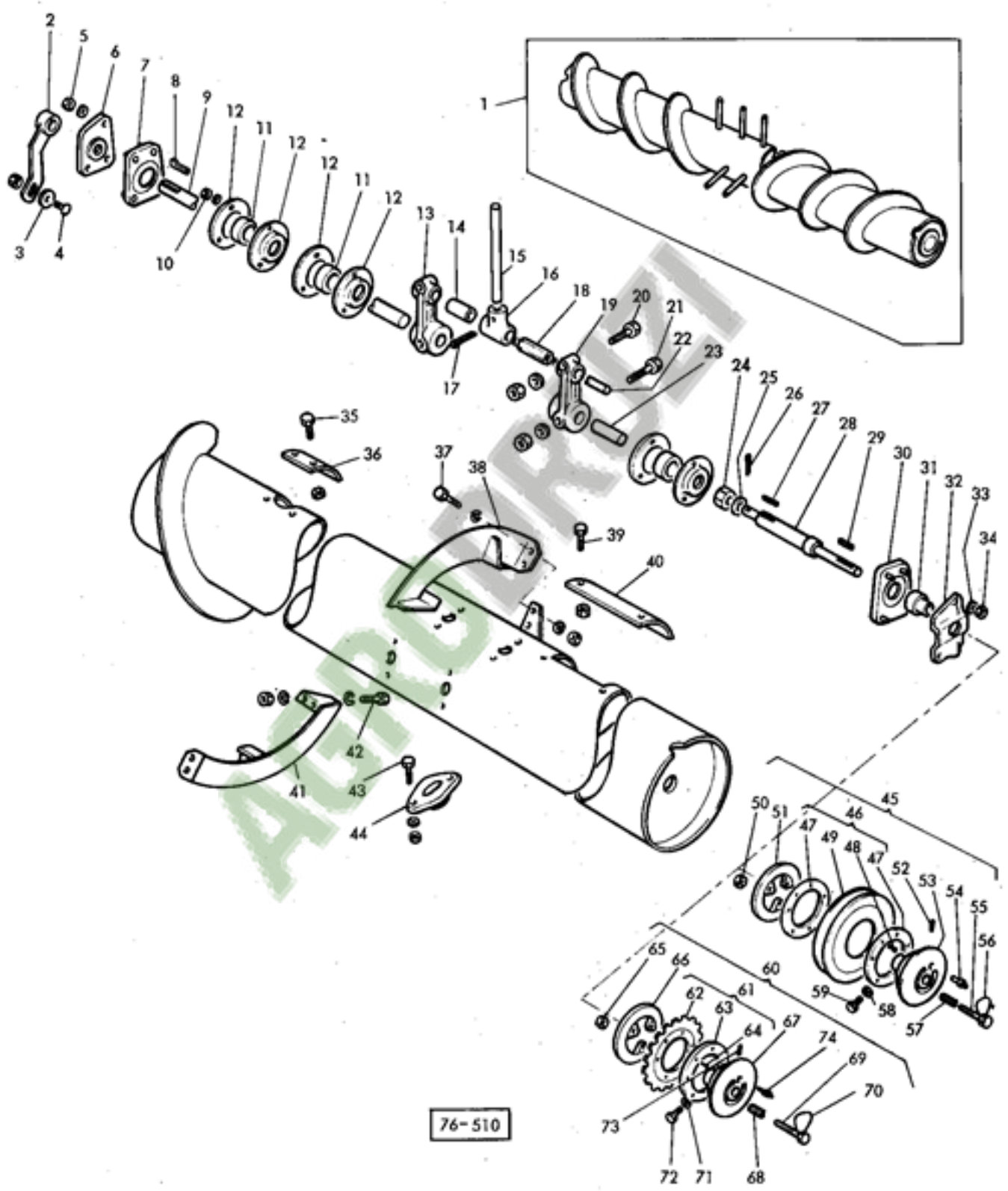


78-85

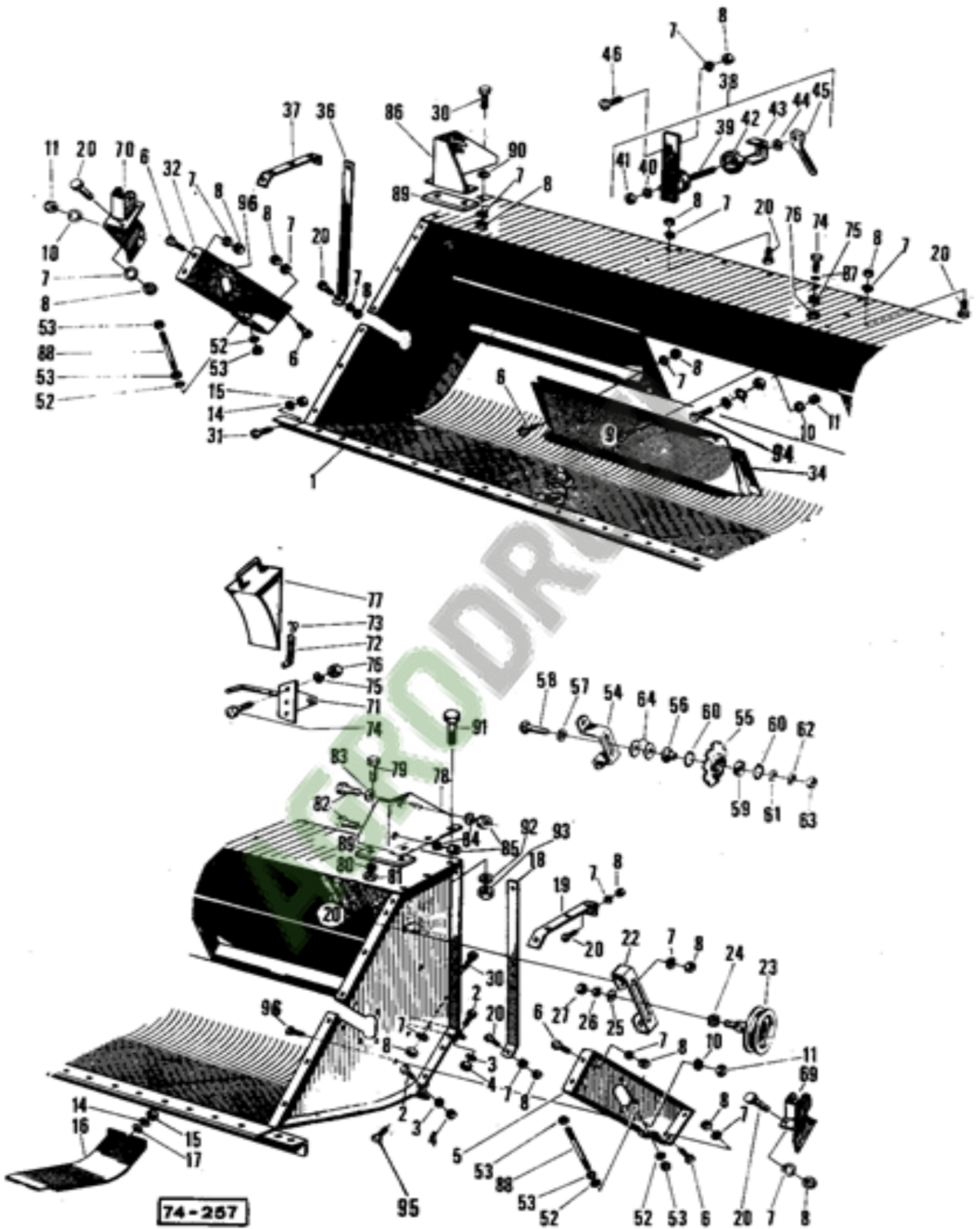


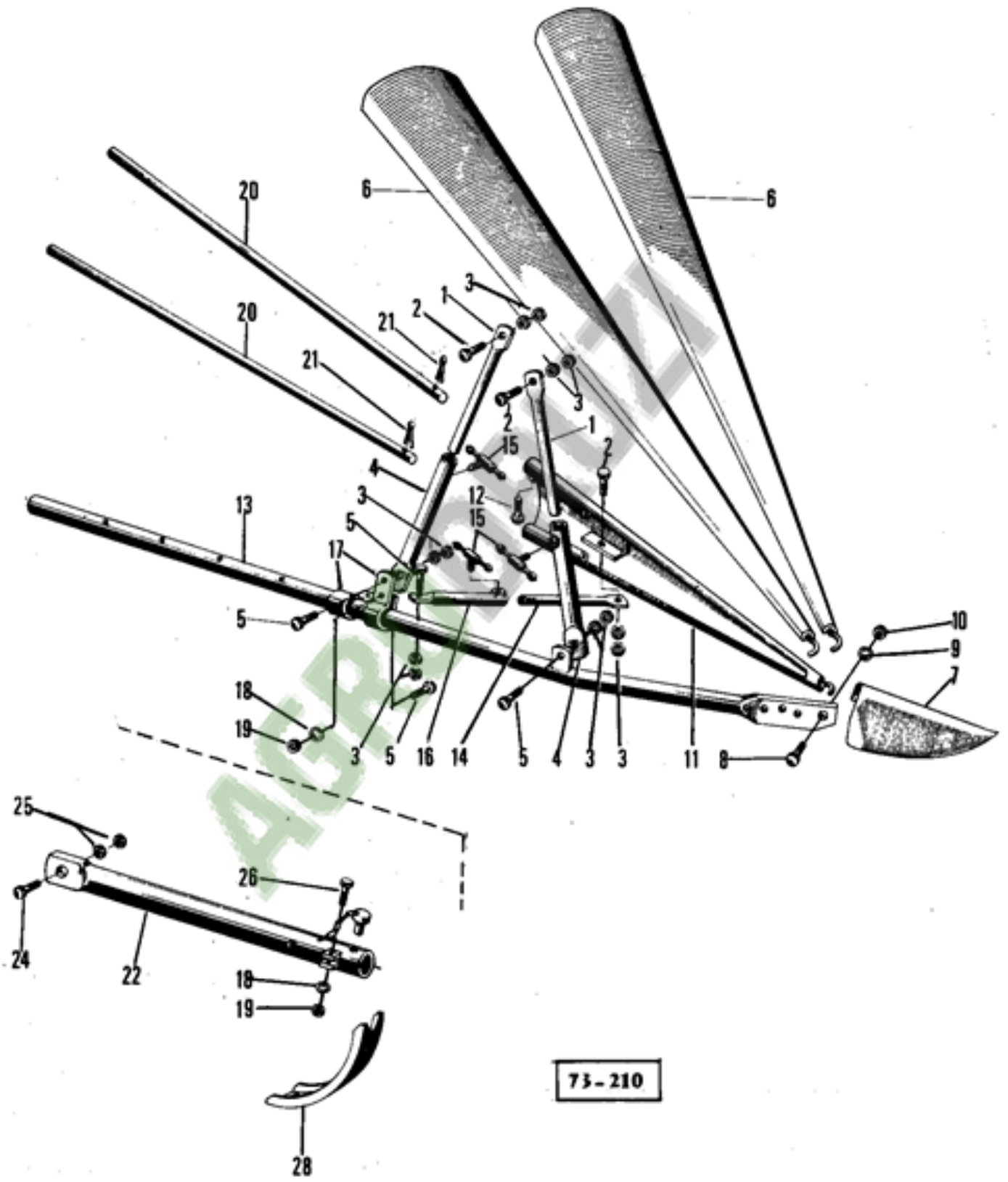


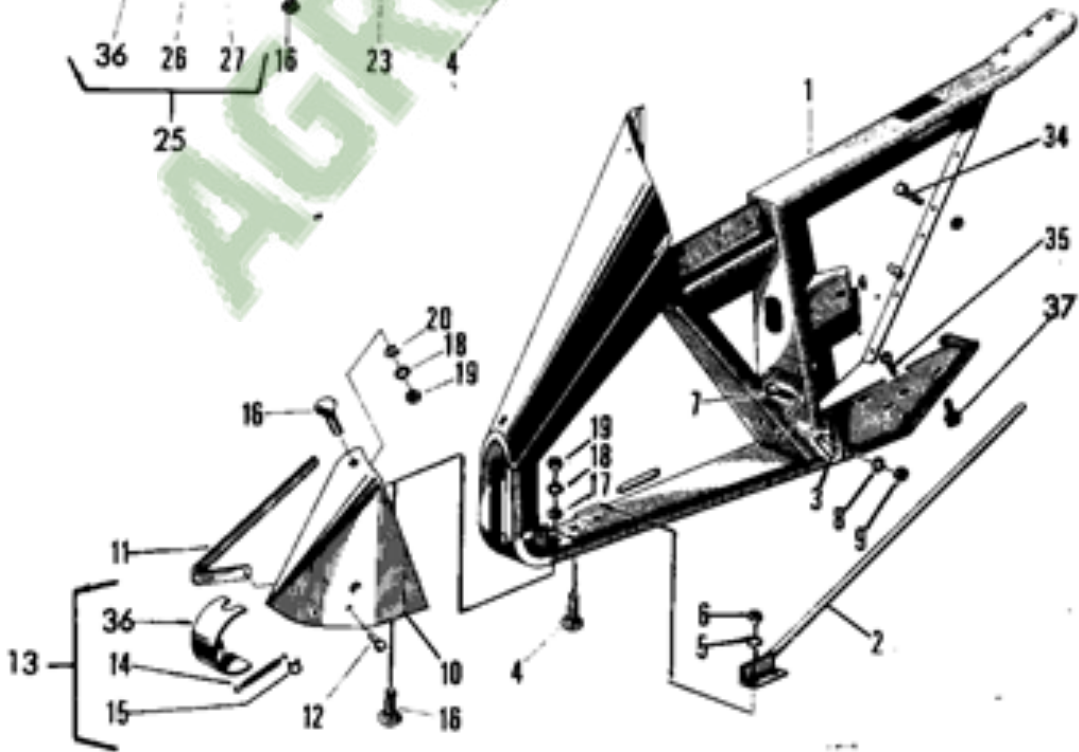
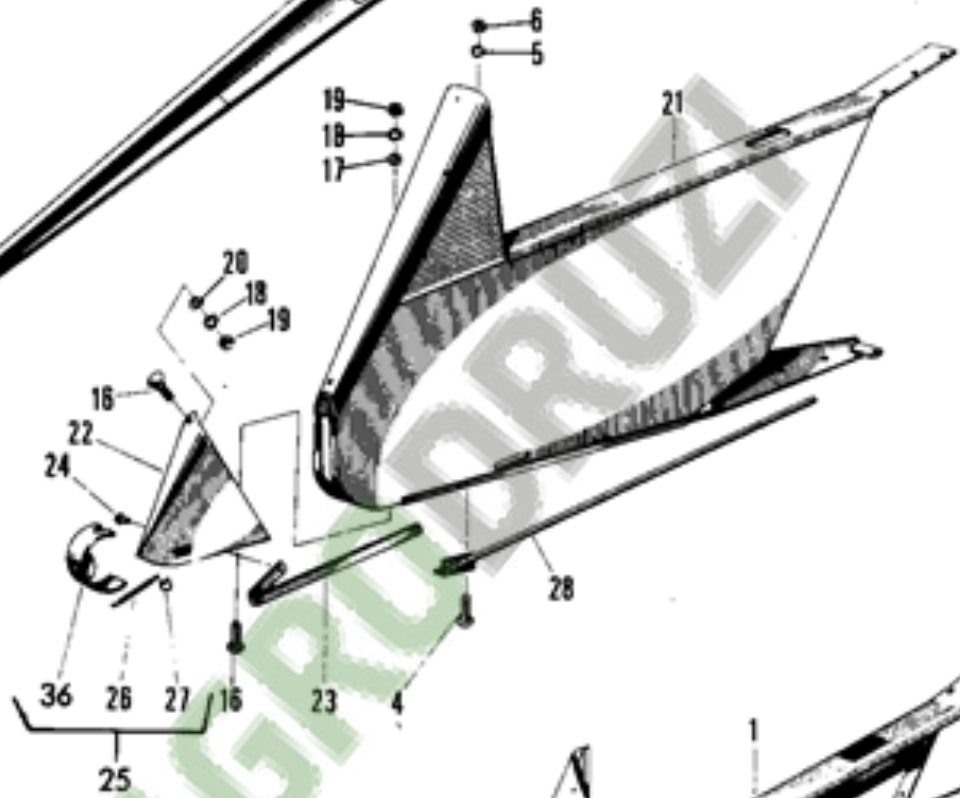
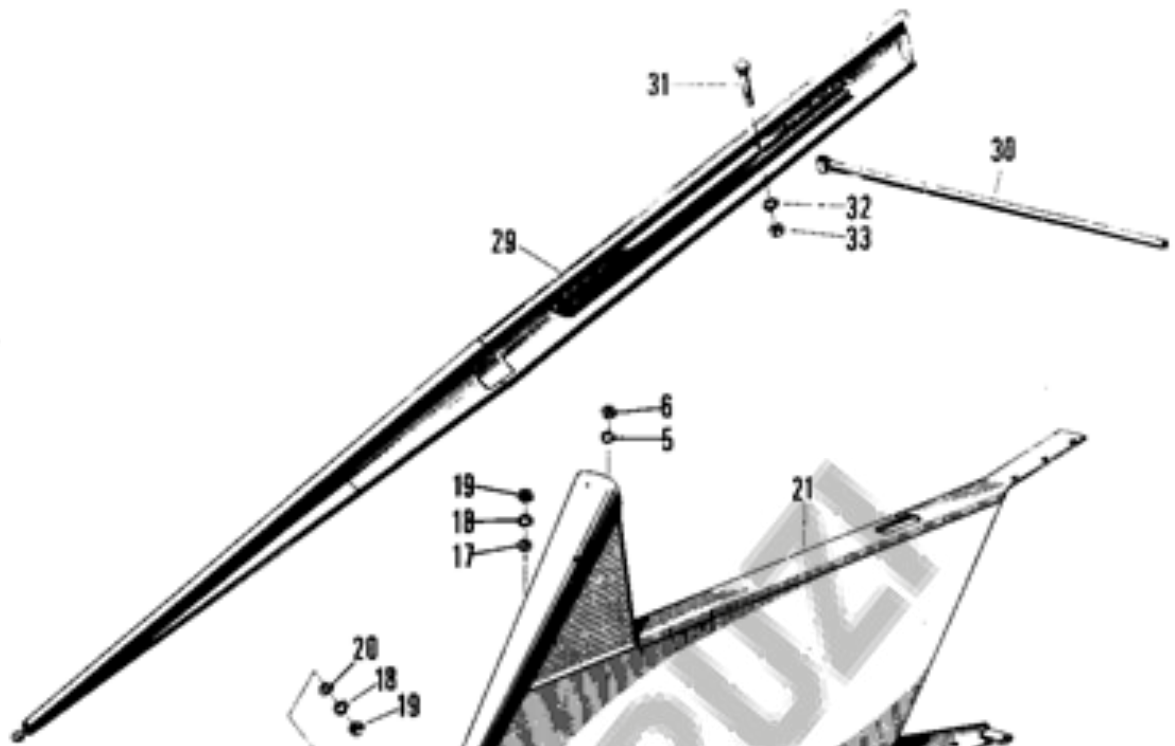
78-511



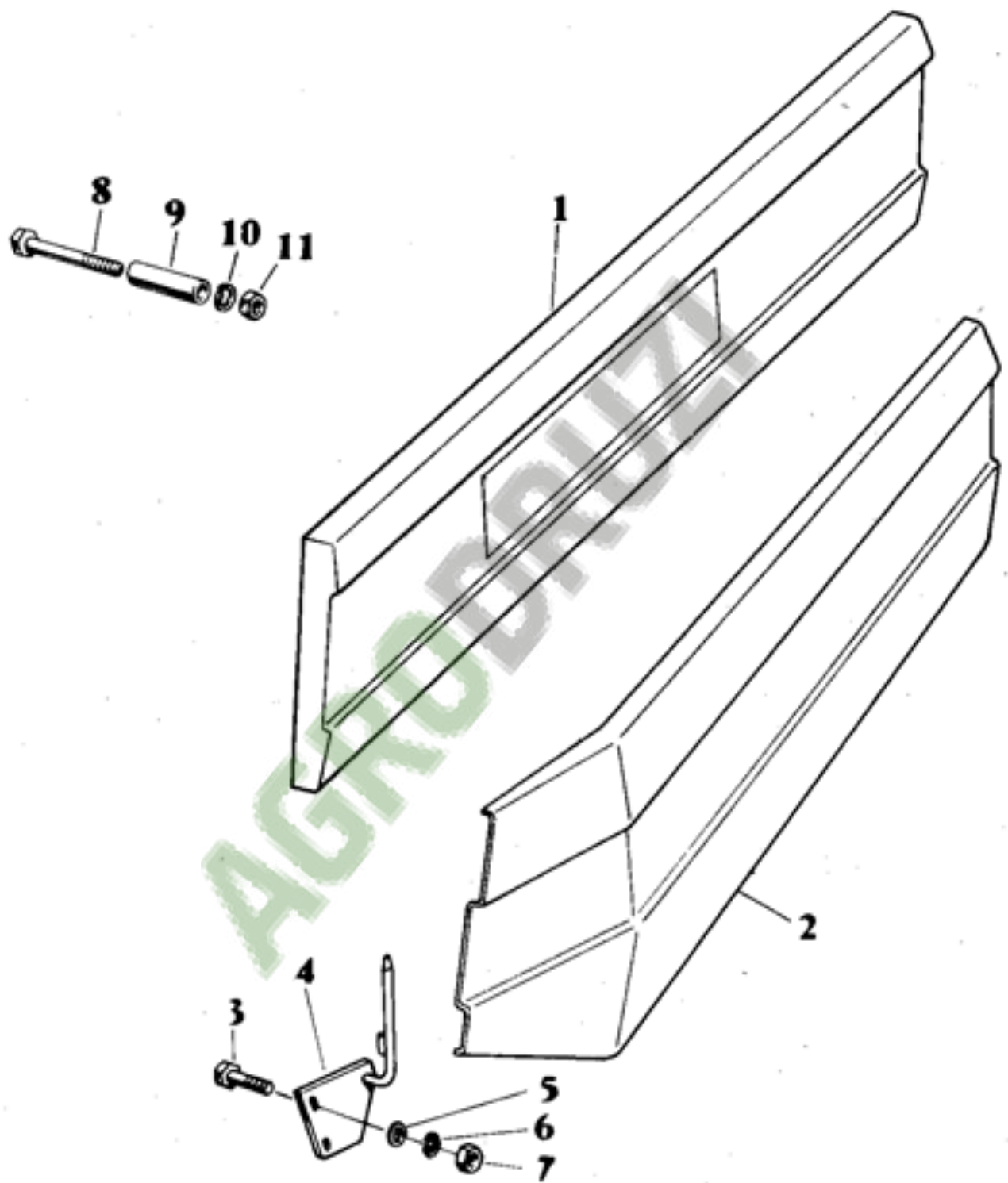


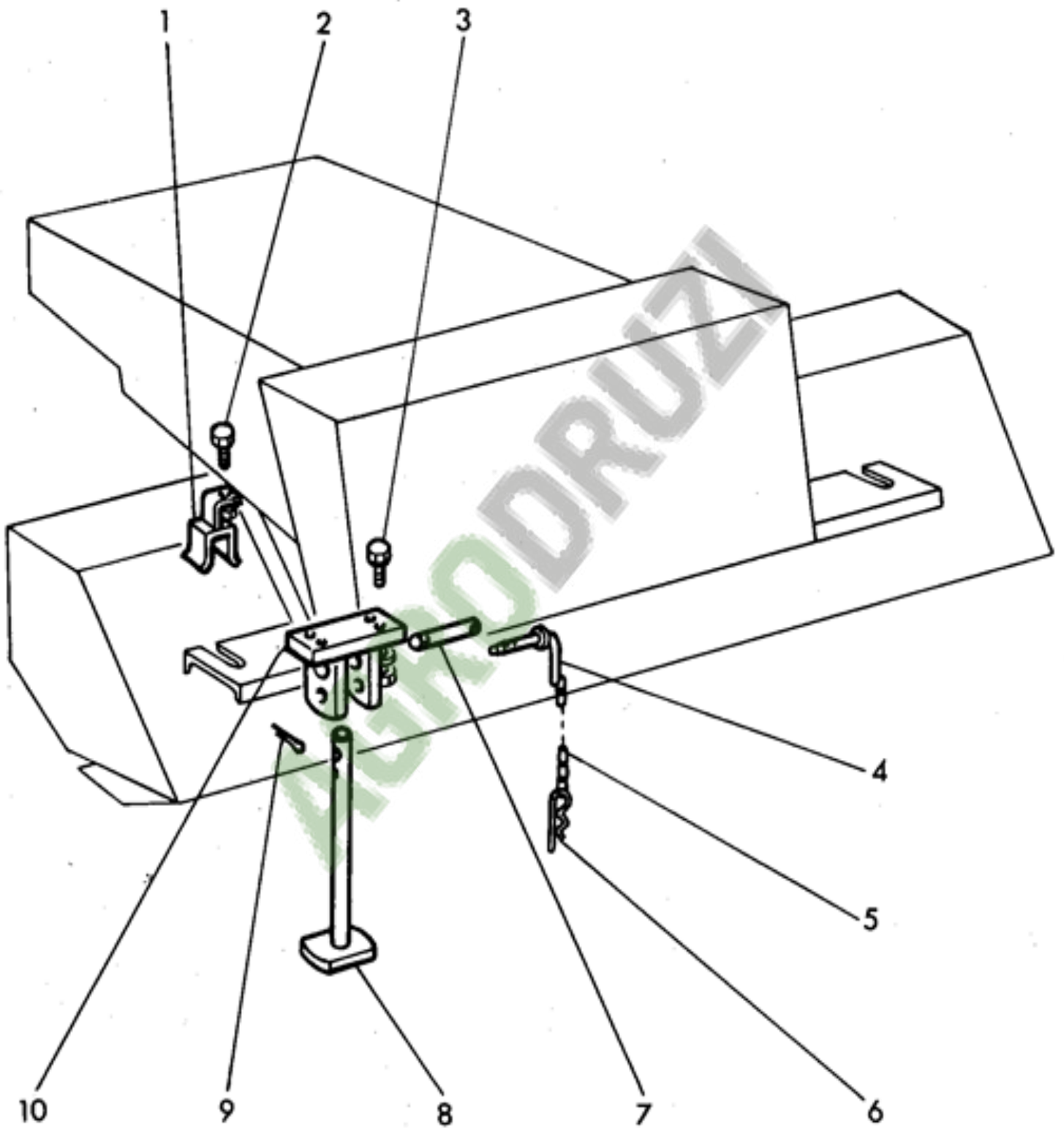




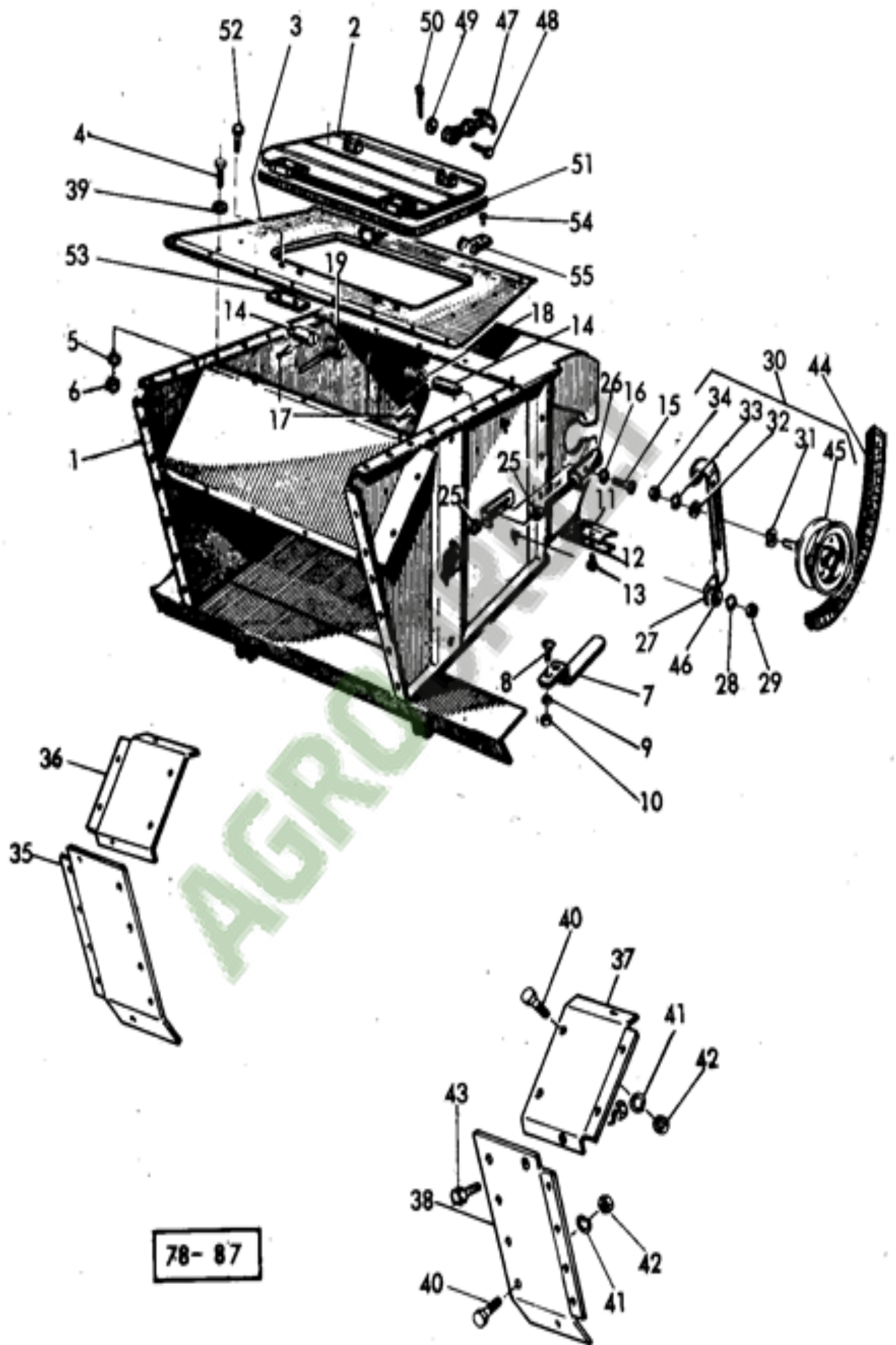


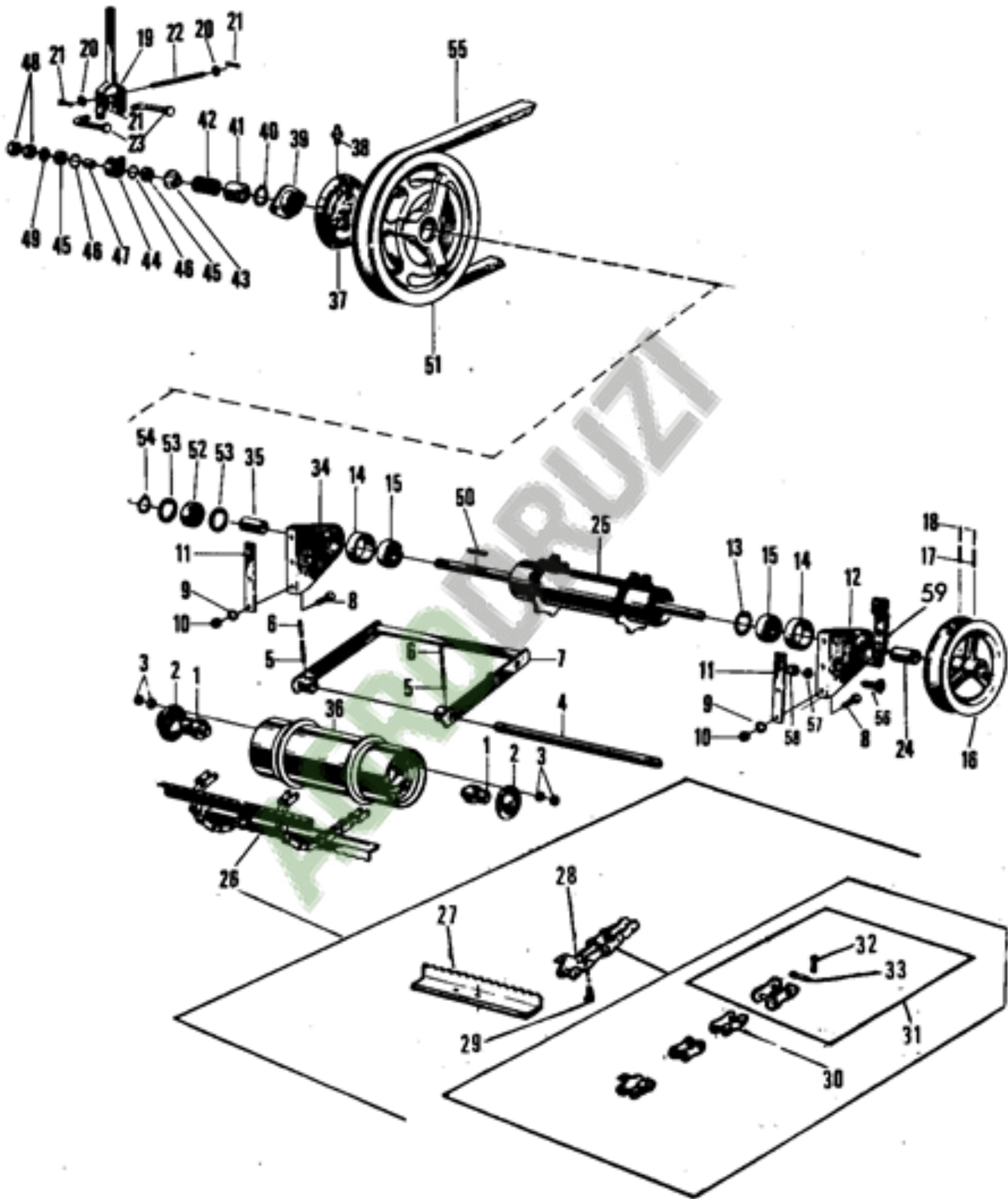
78-86





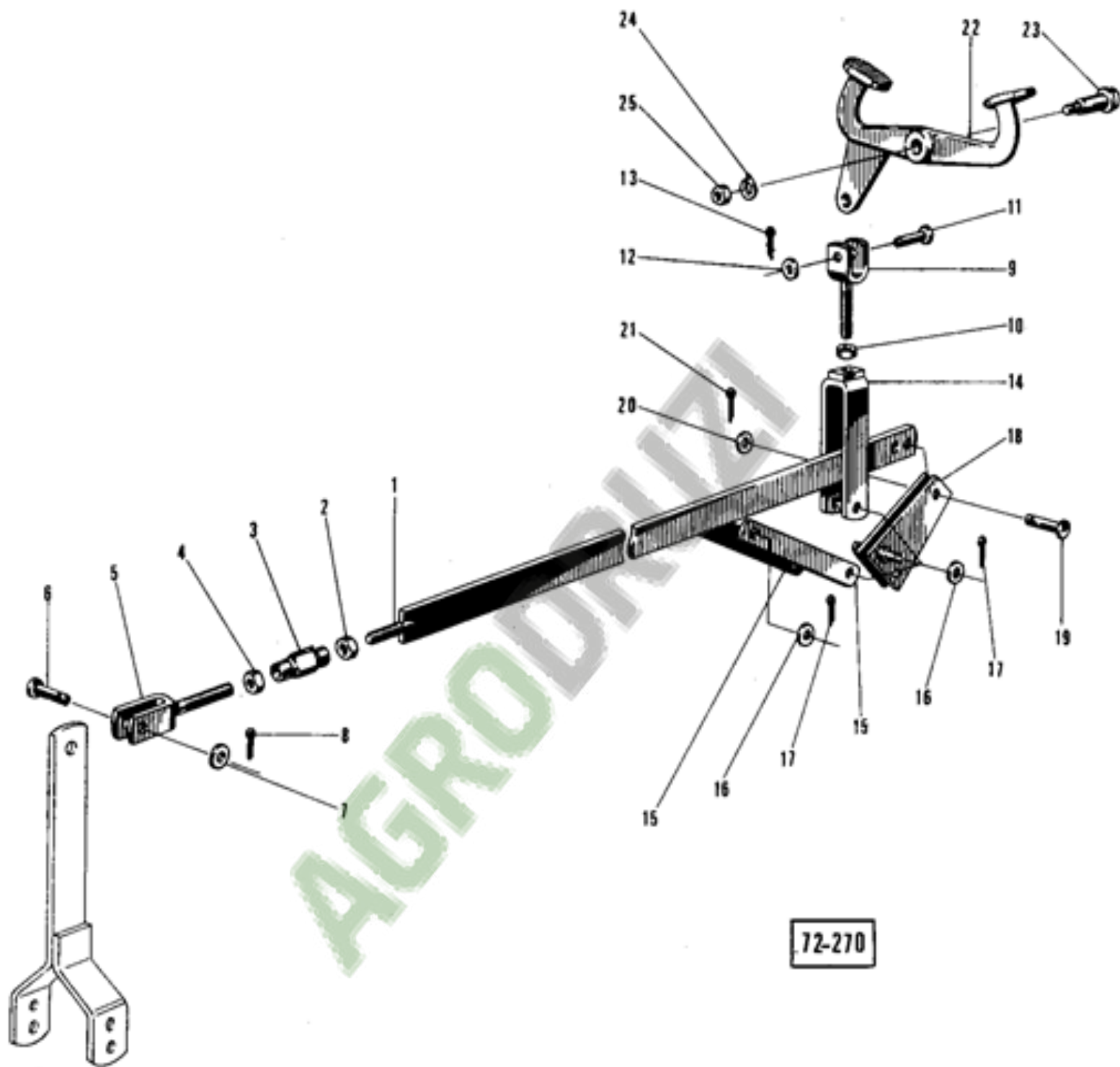


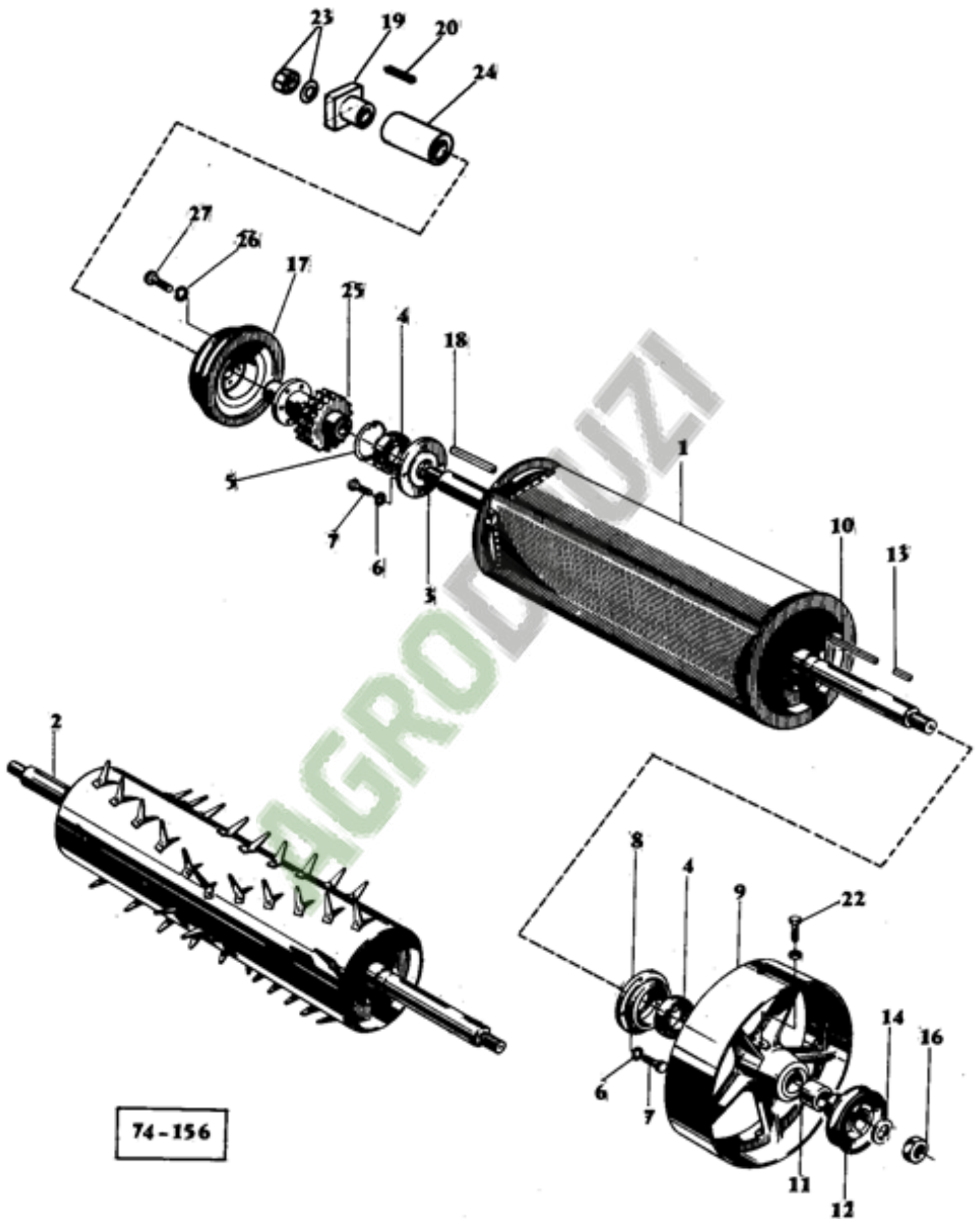


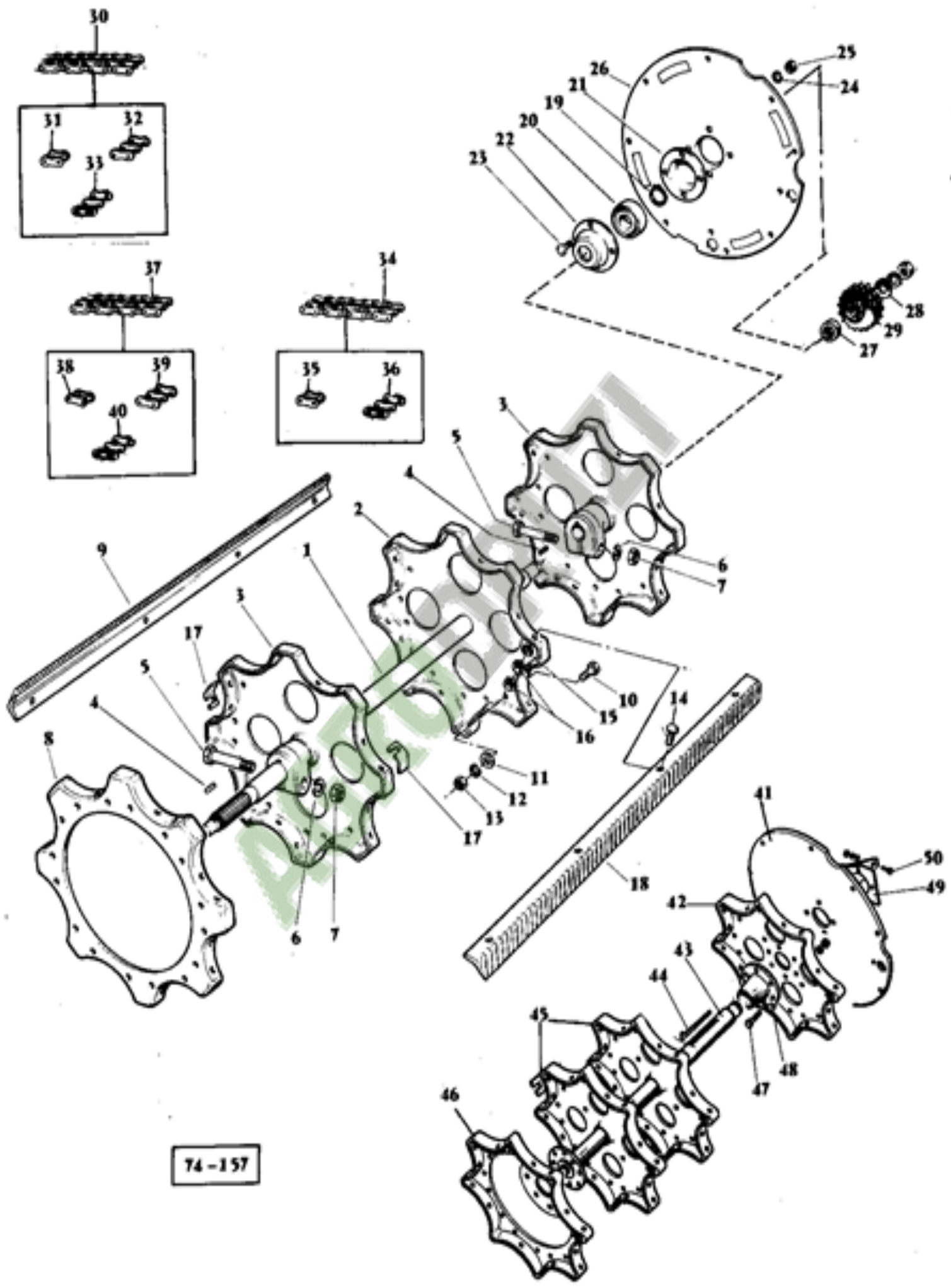


76-535

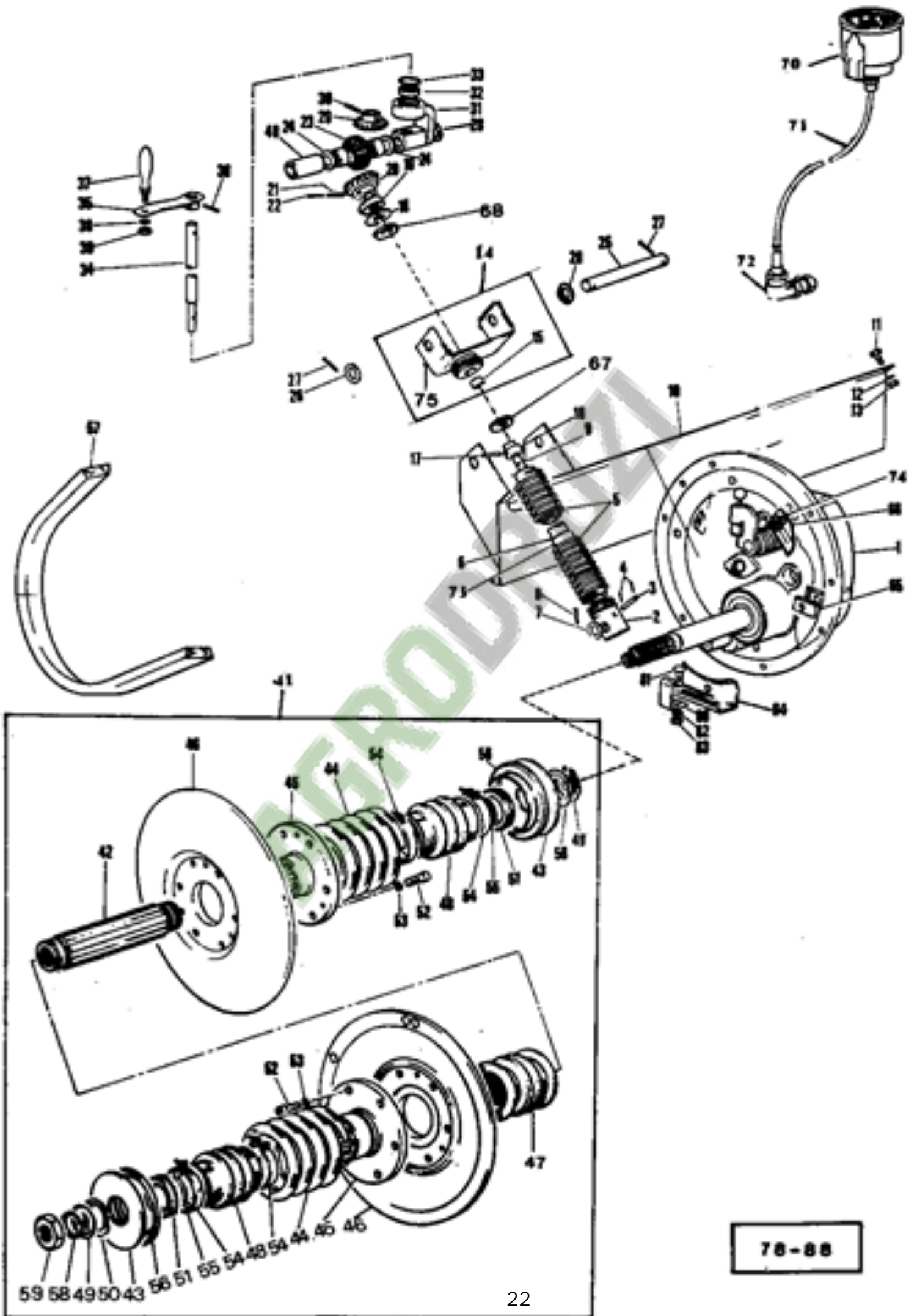






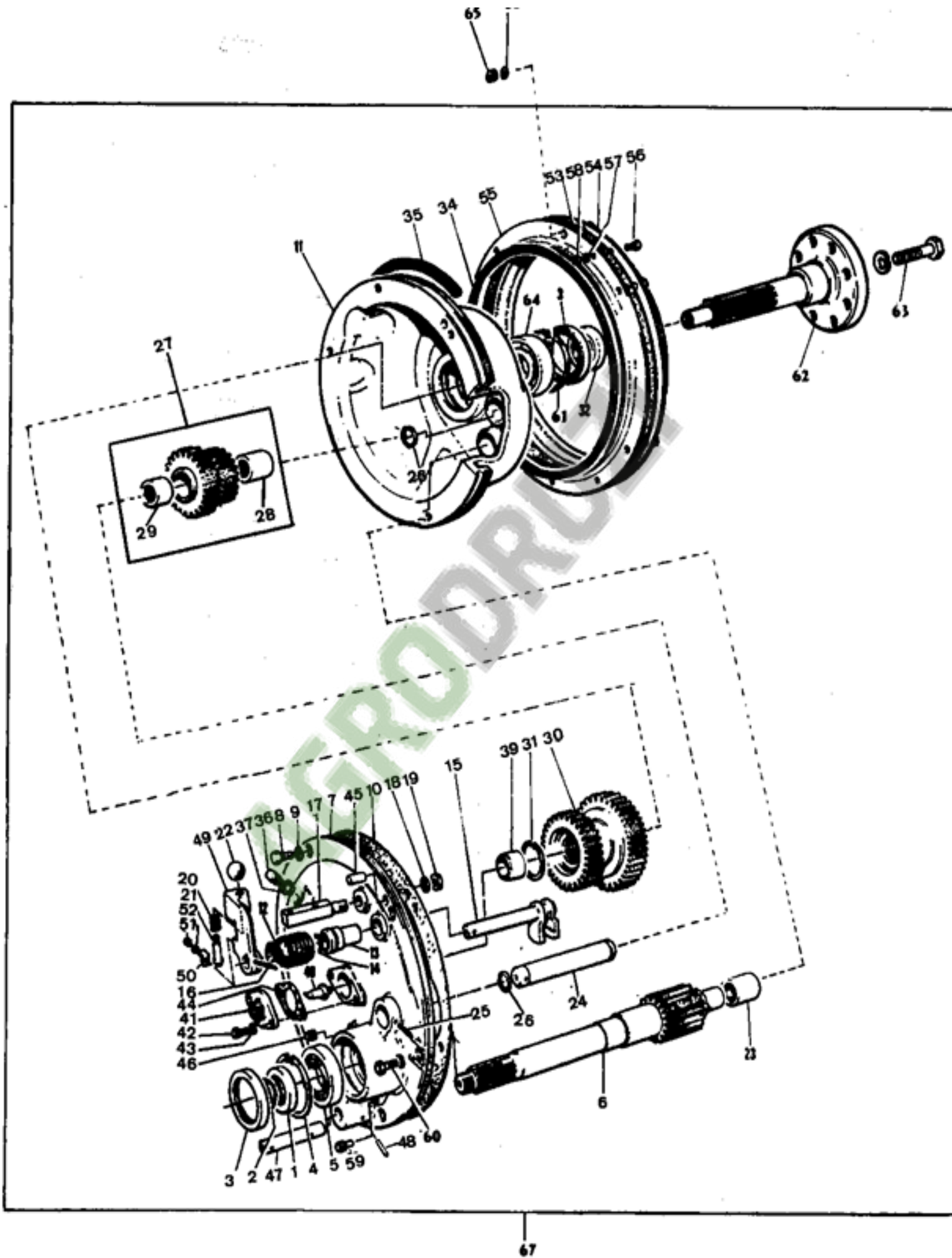


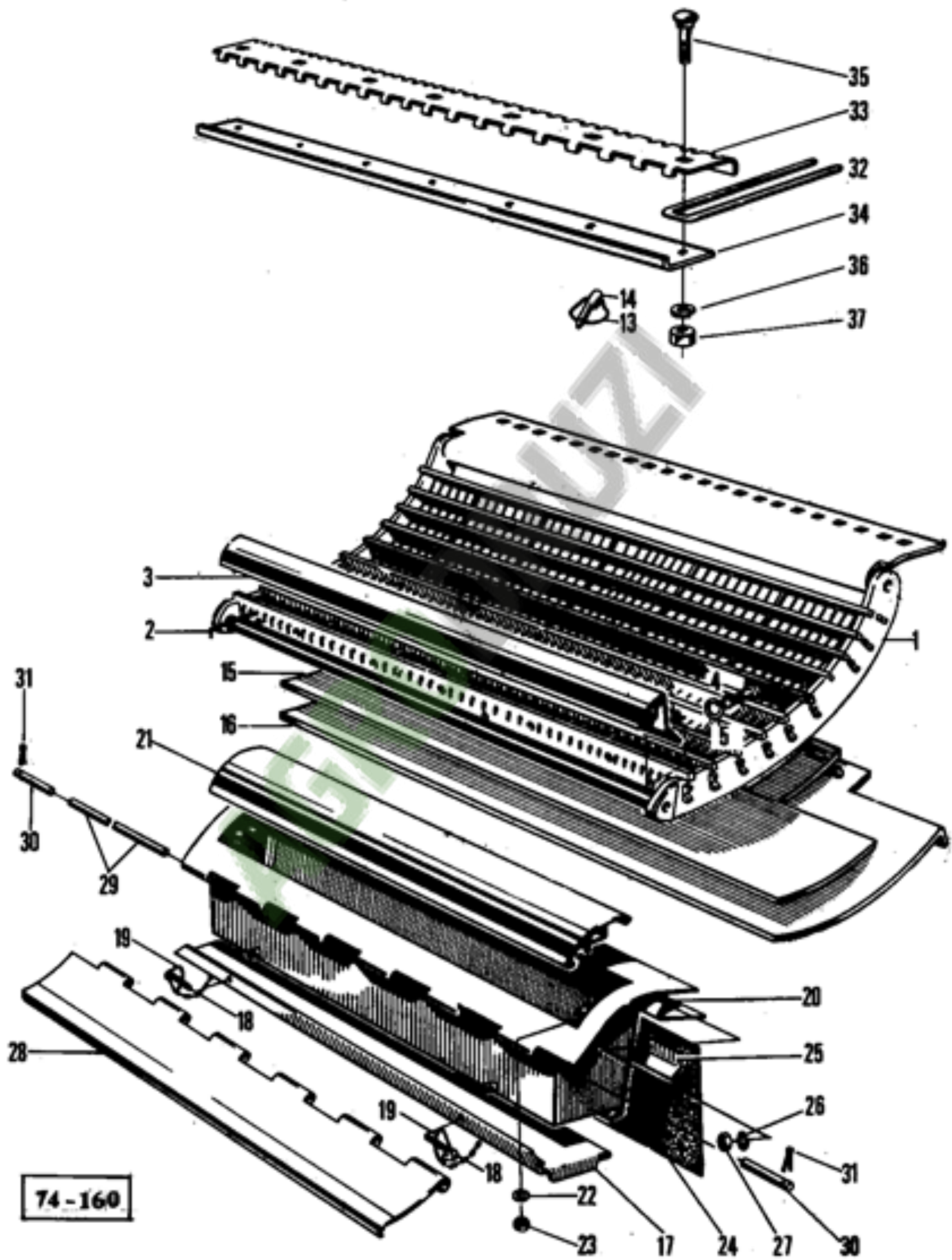
74-157

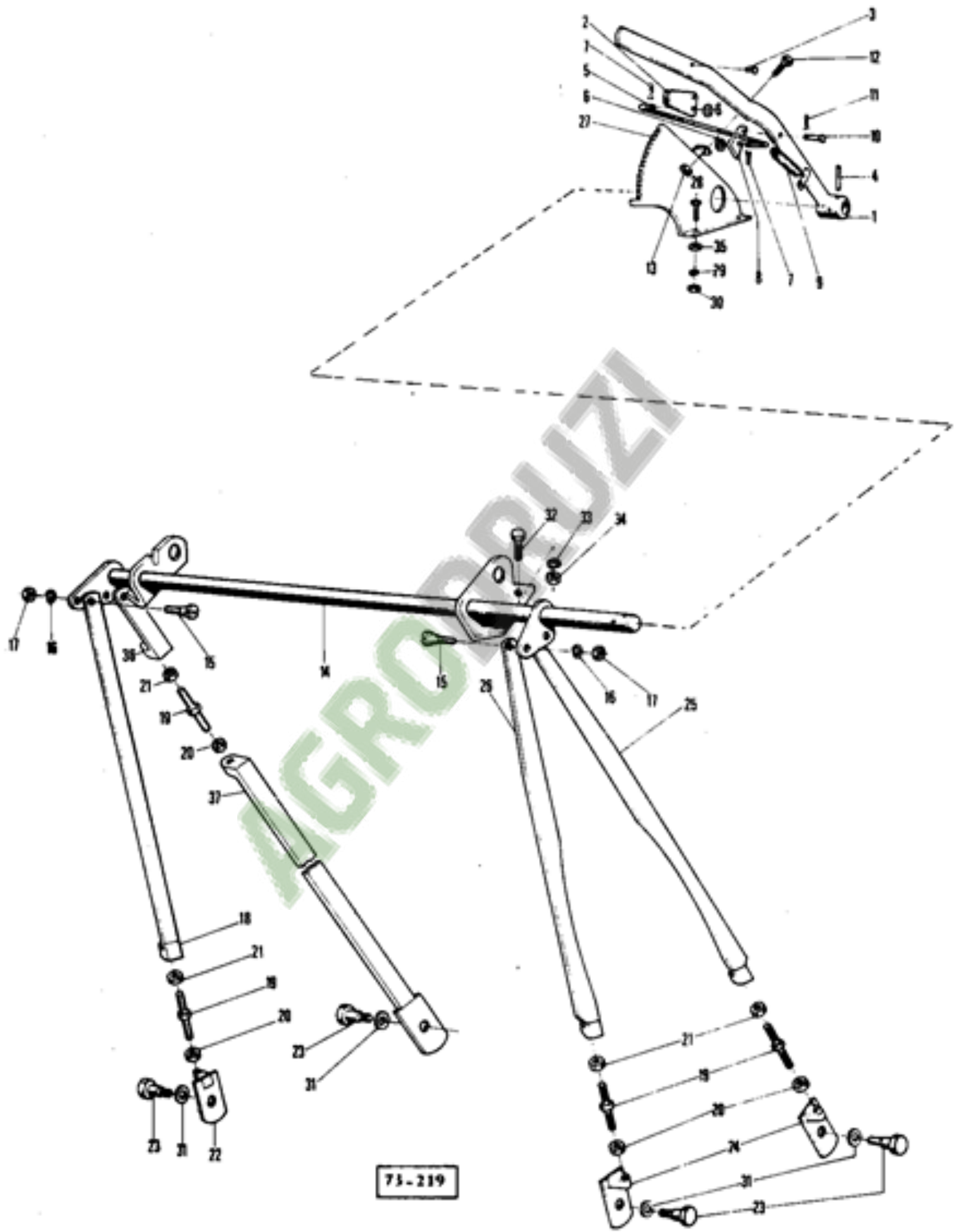


78-88



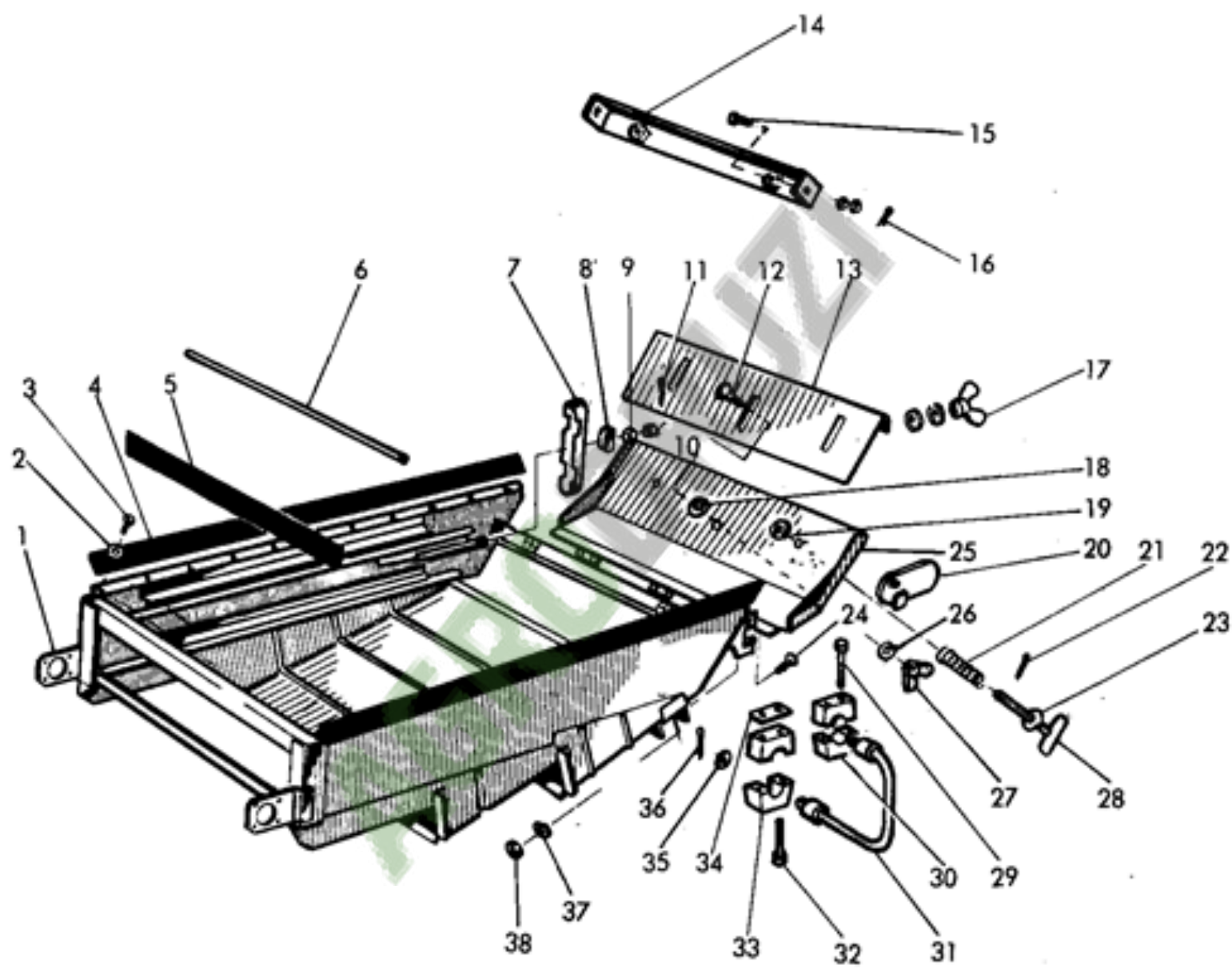




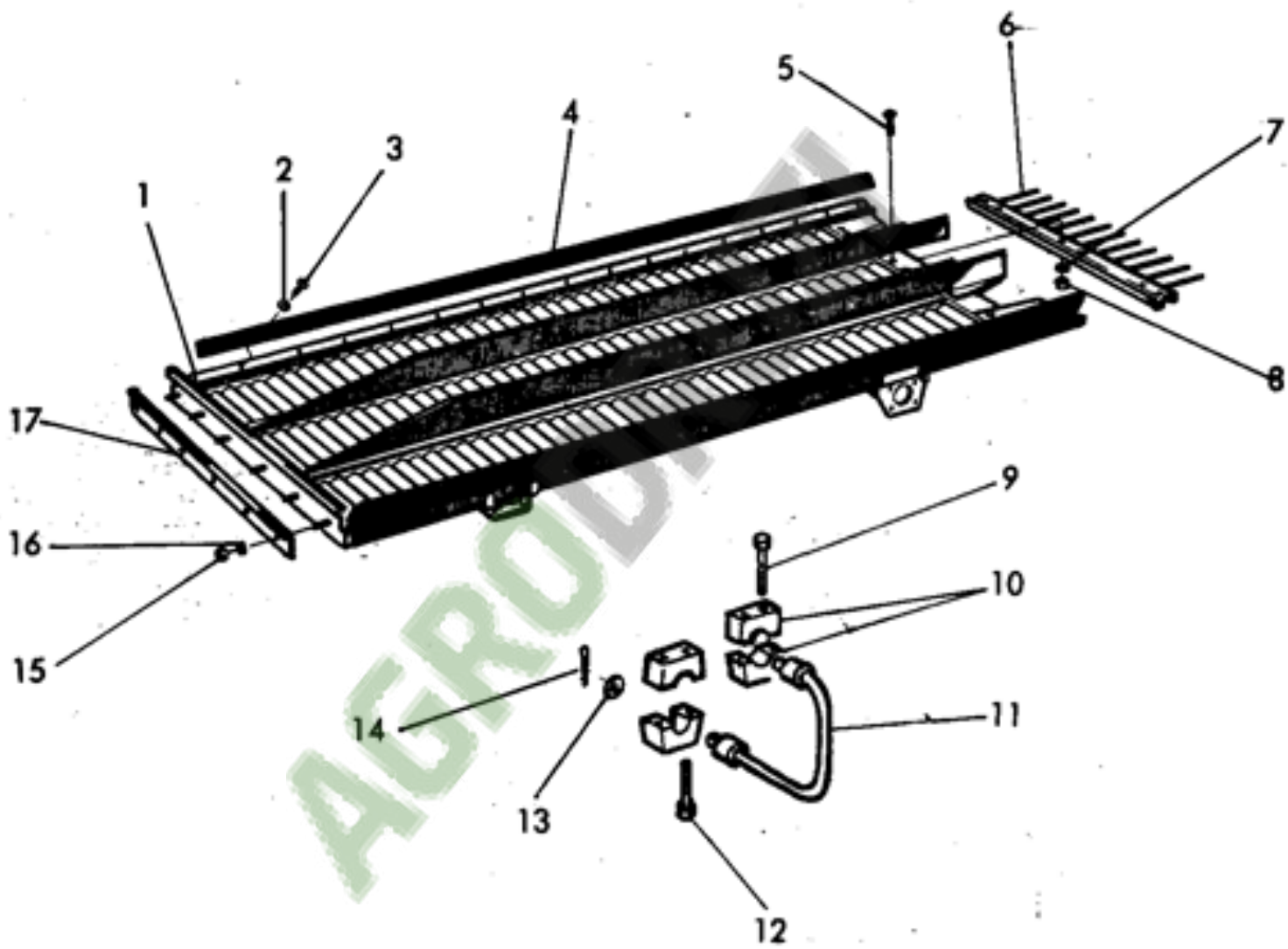


73-219

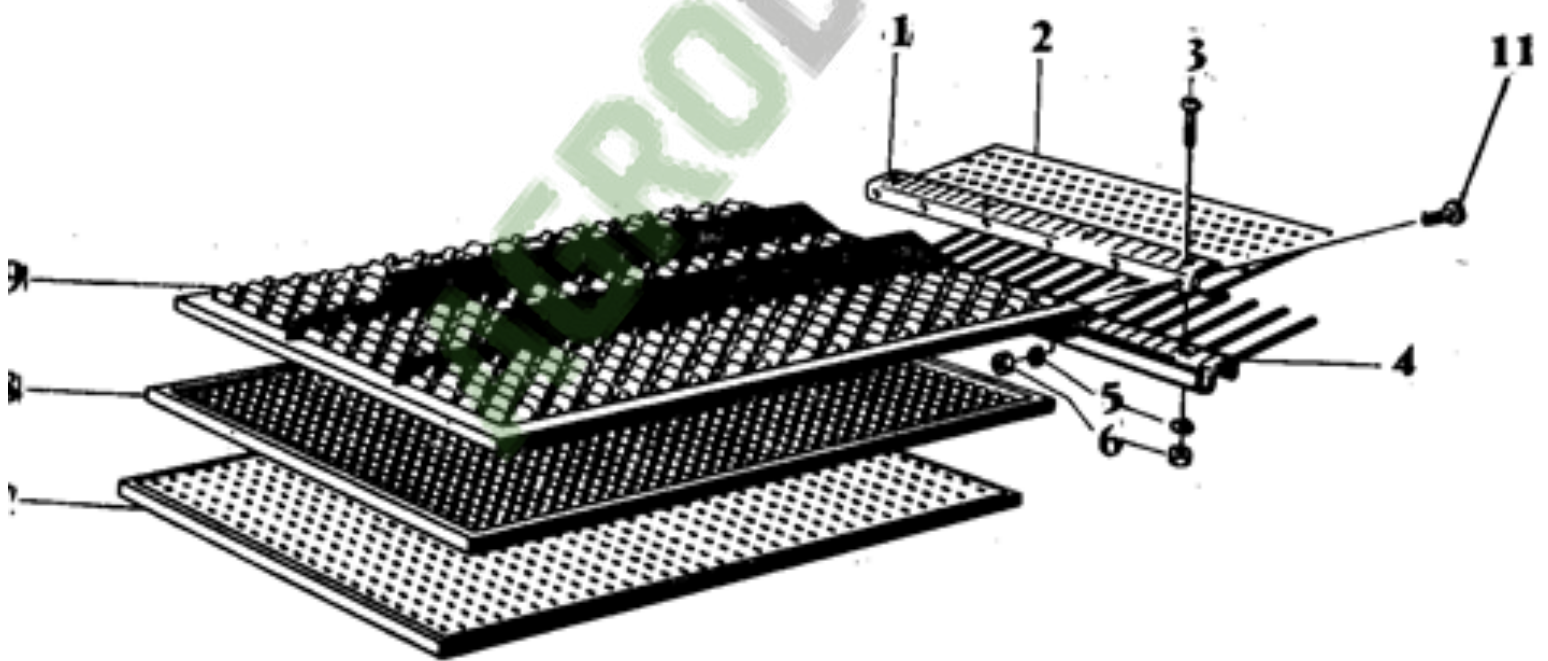
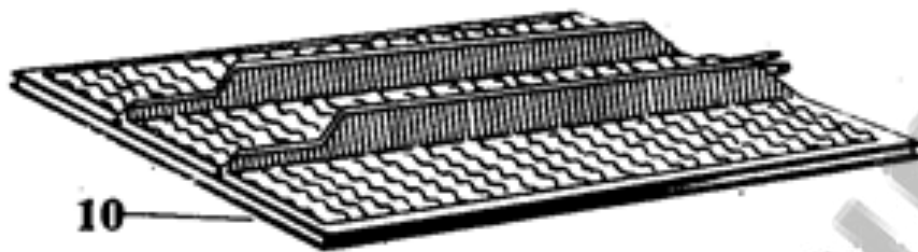


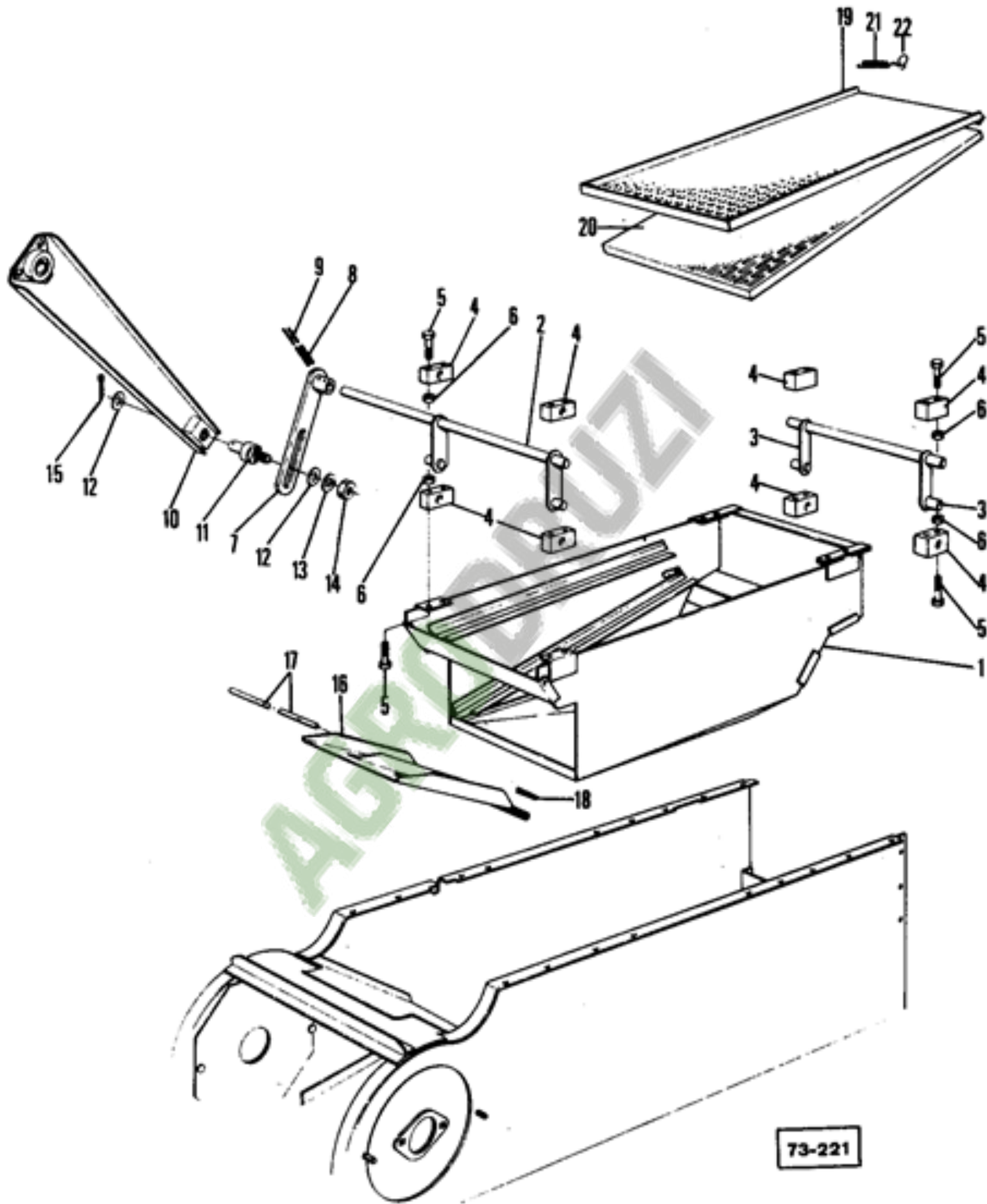


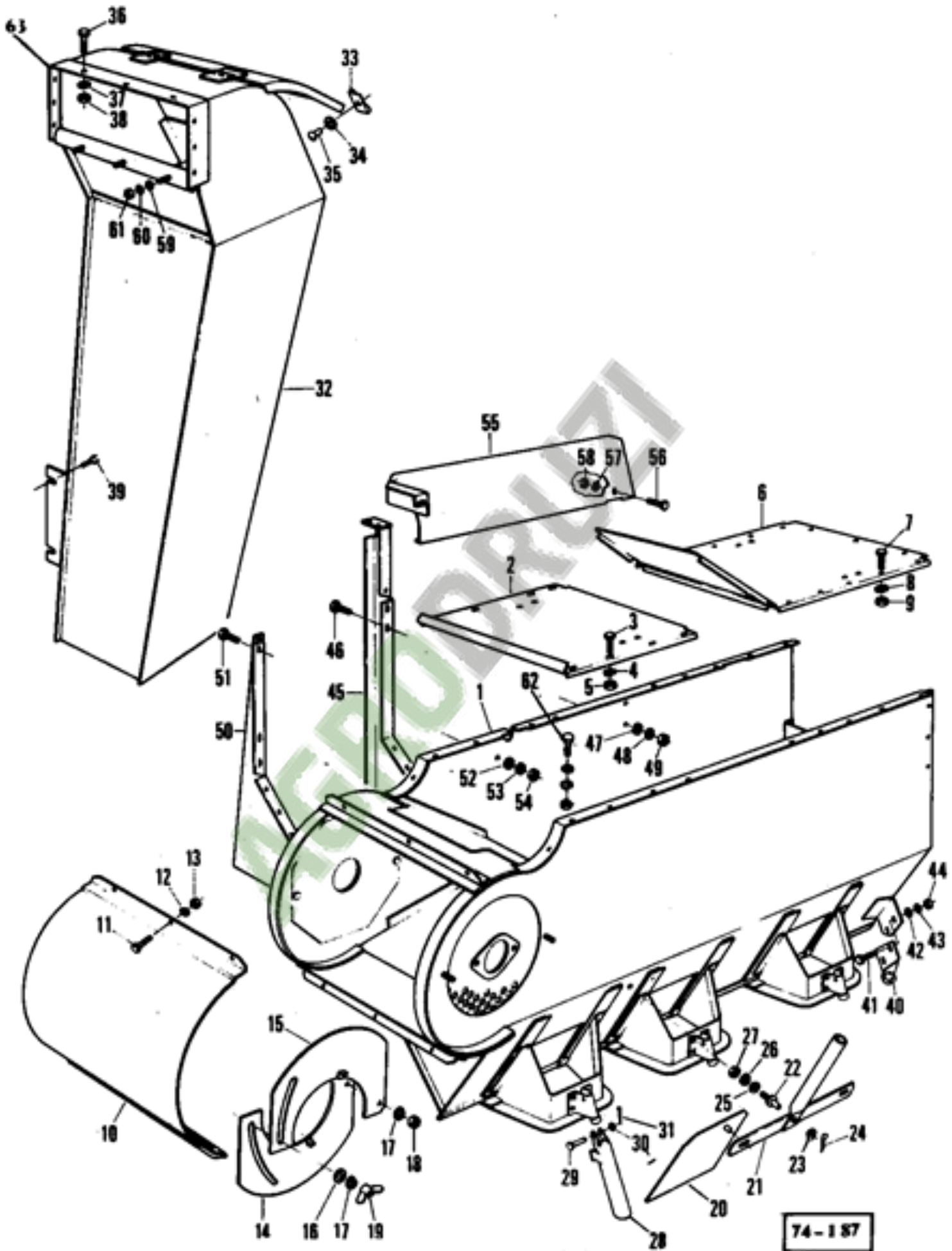
78-89



78-90

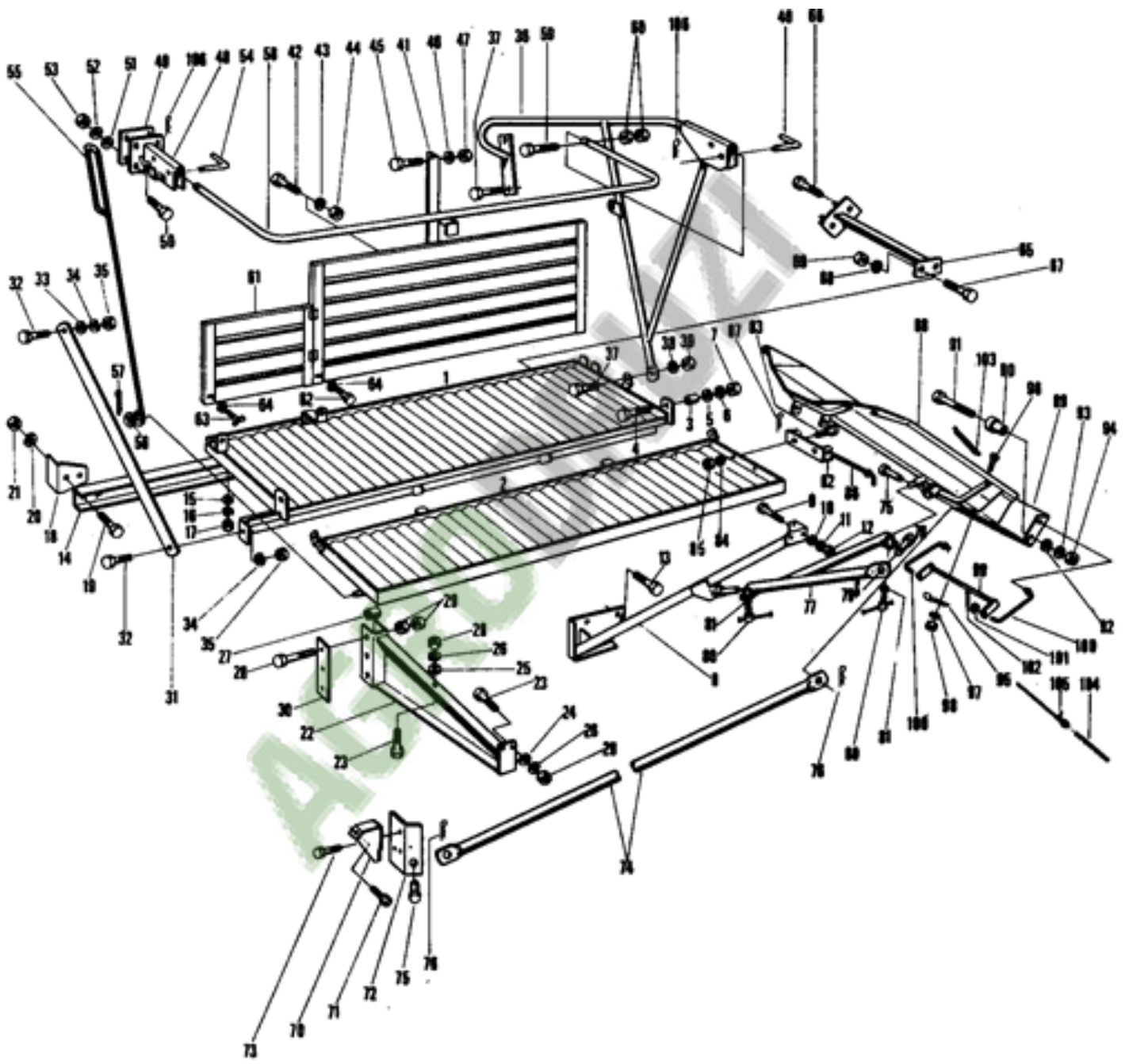


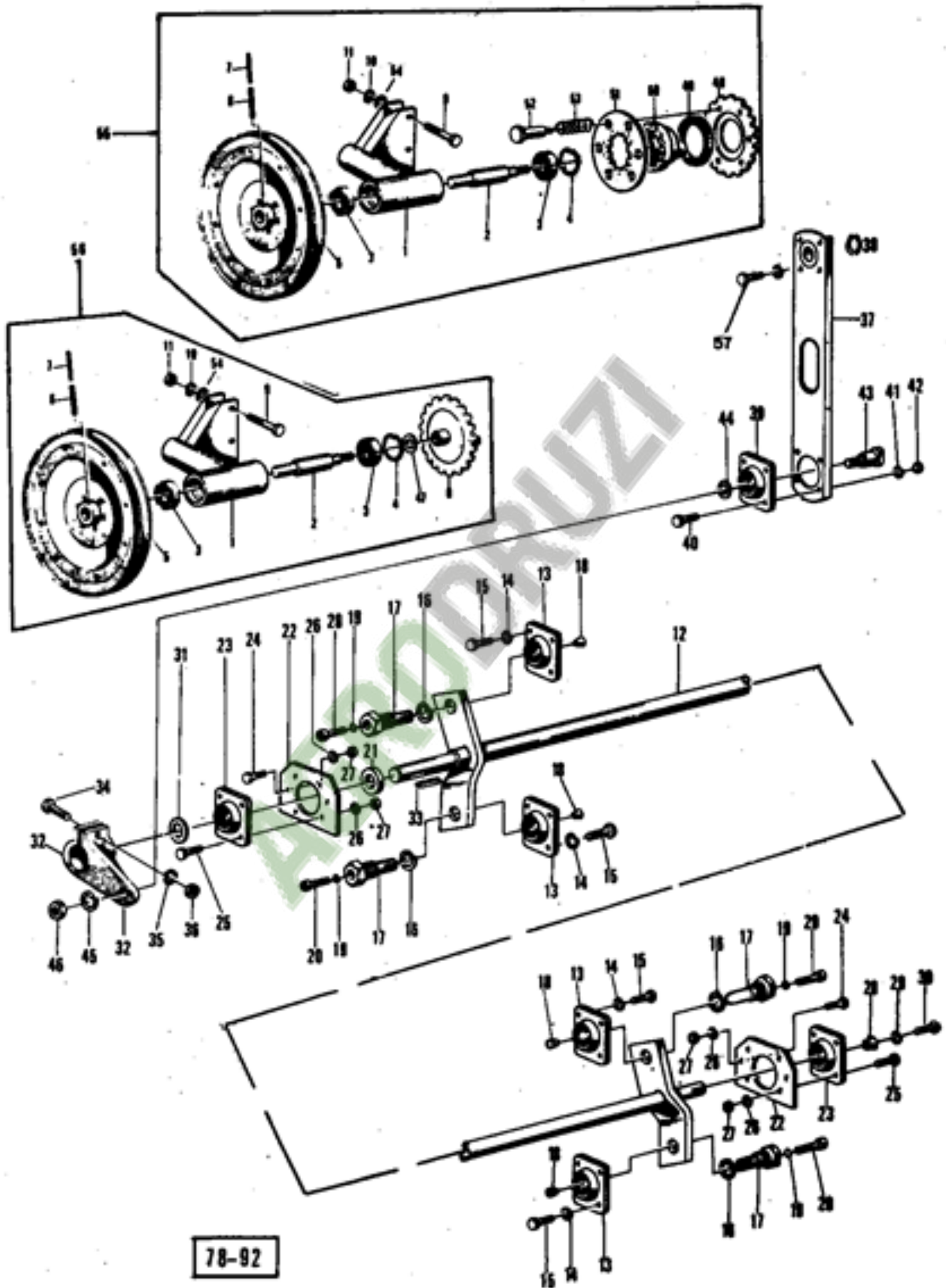




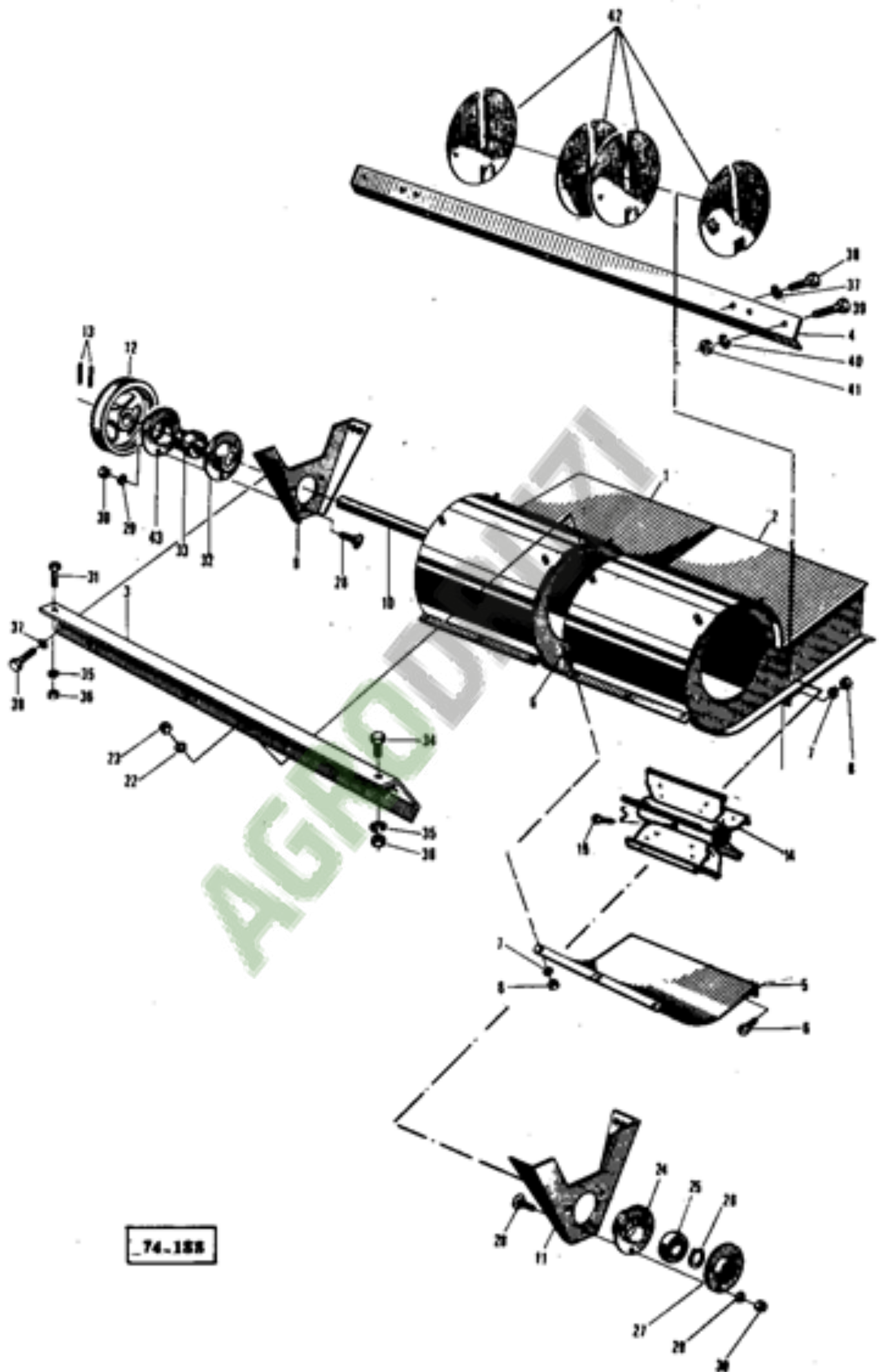
74-187

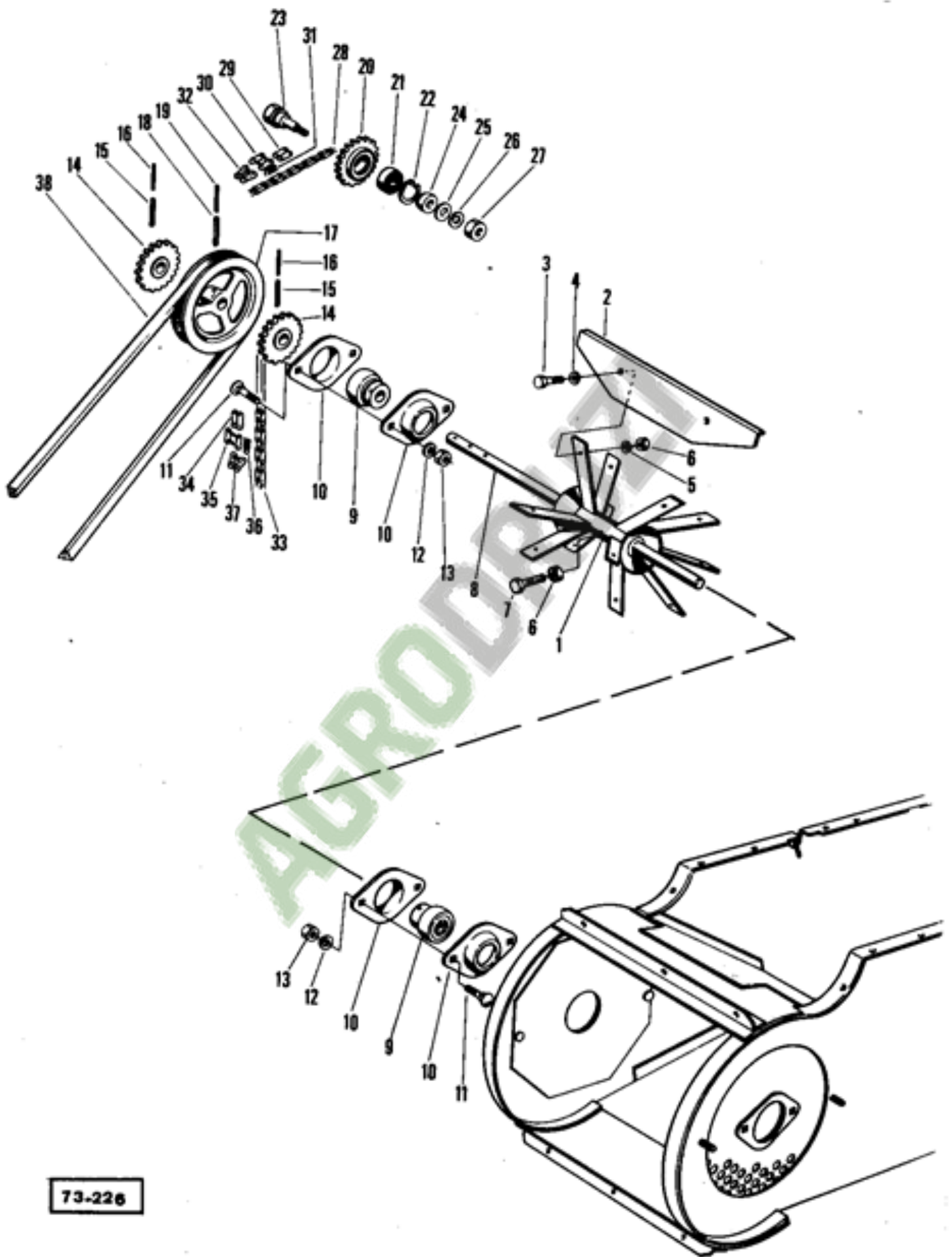




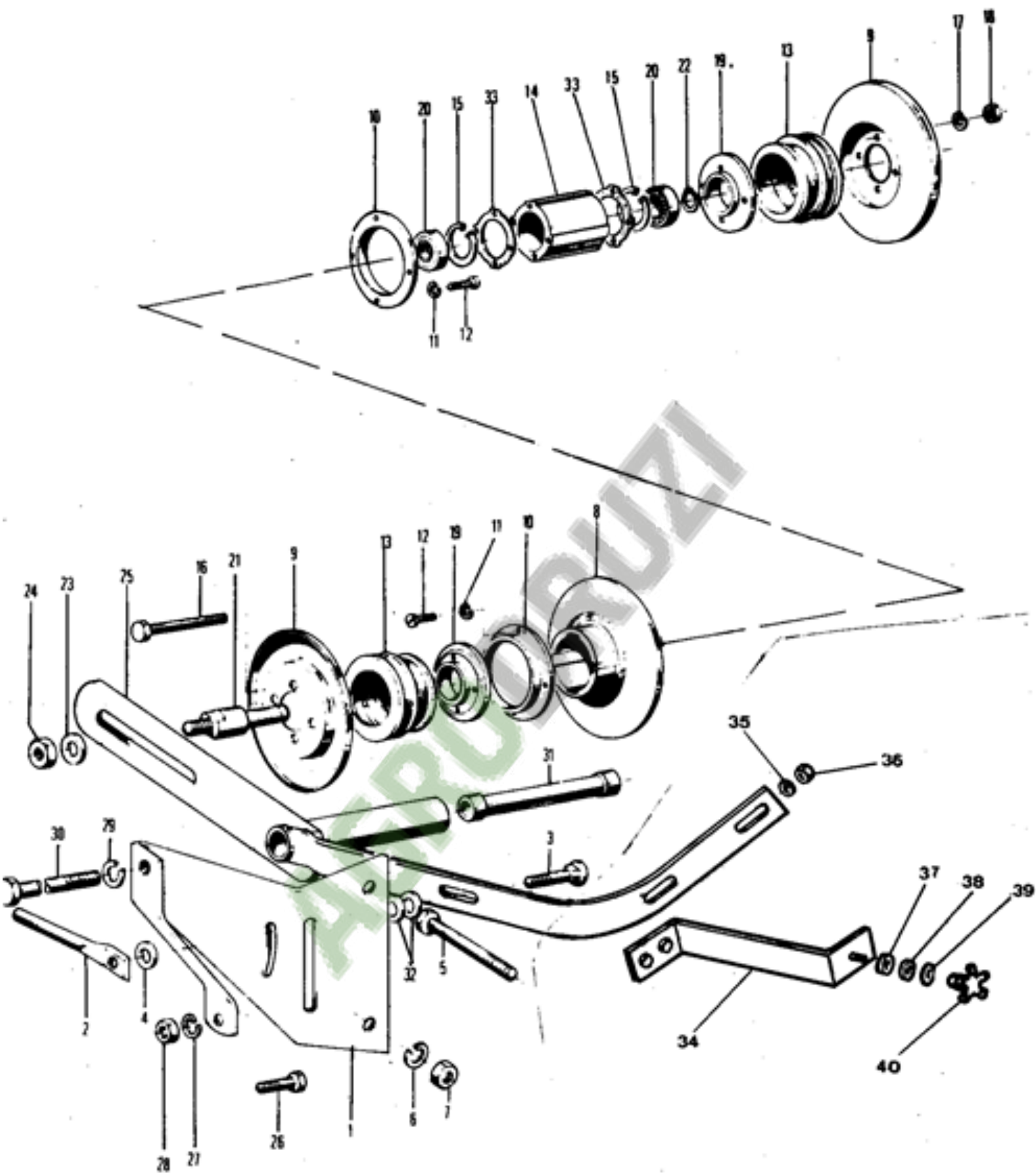




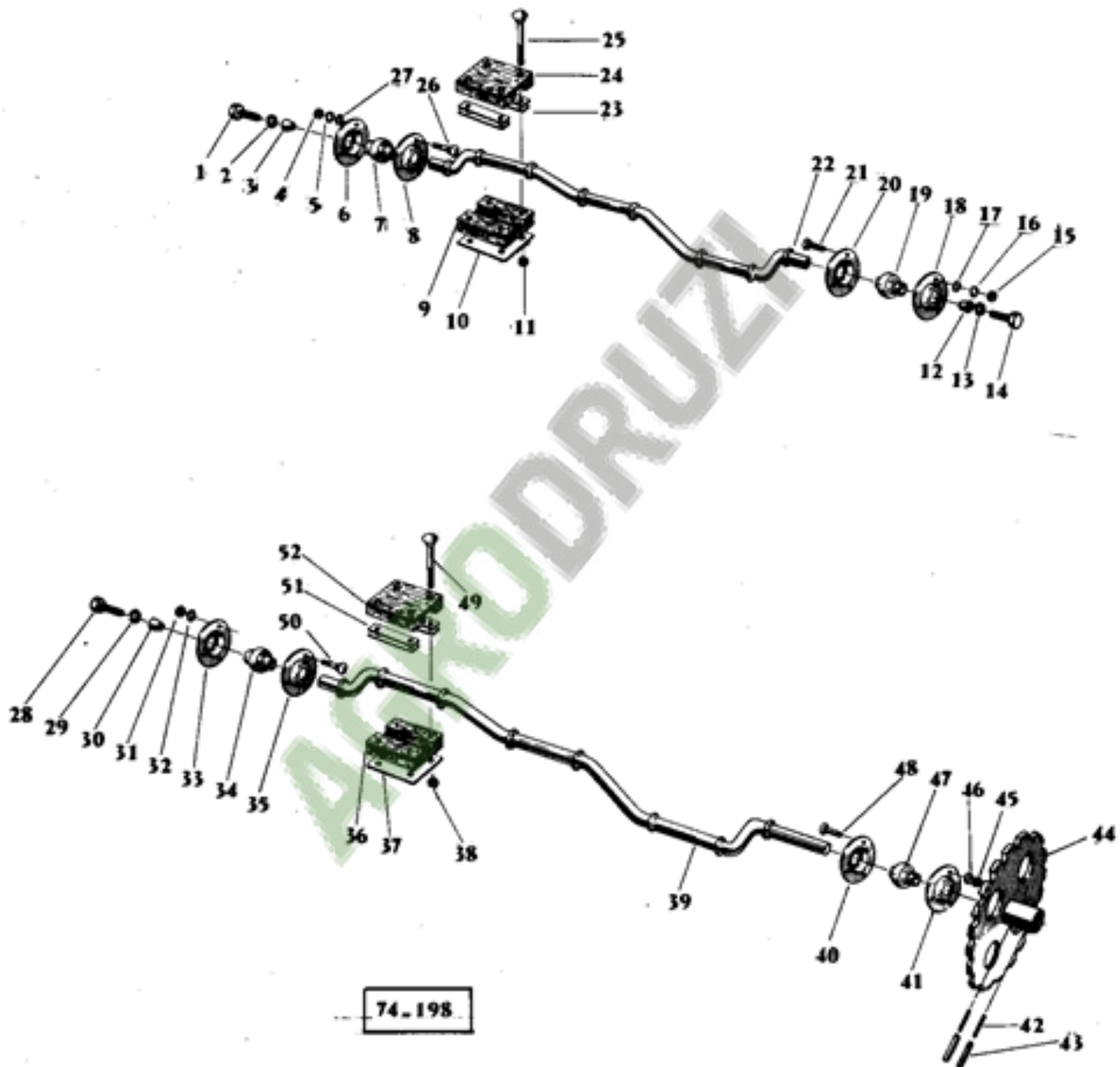


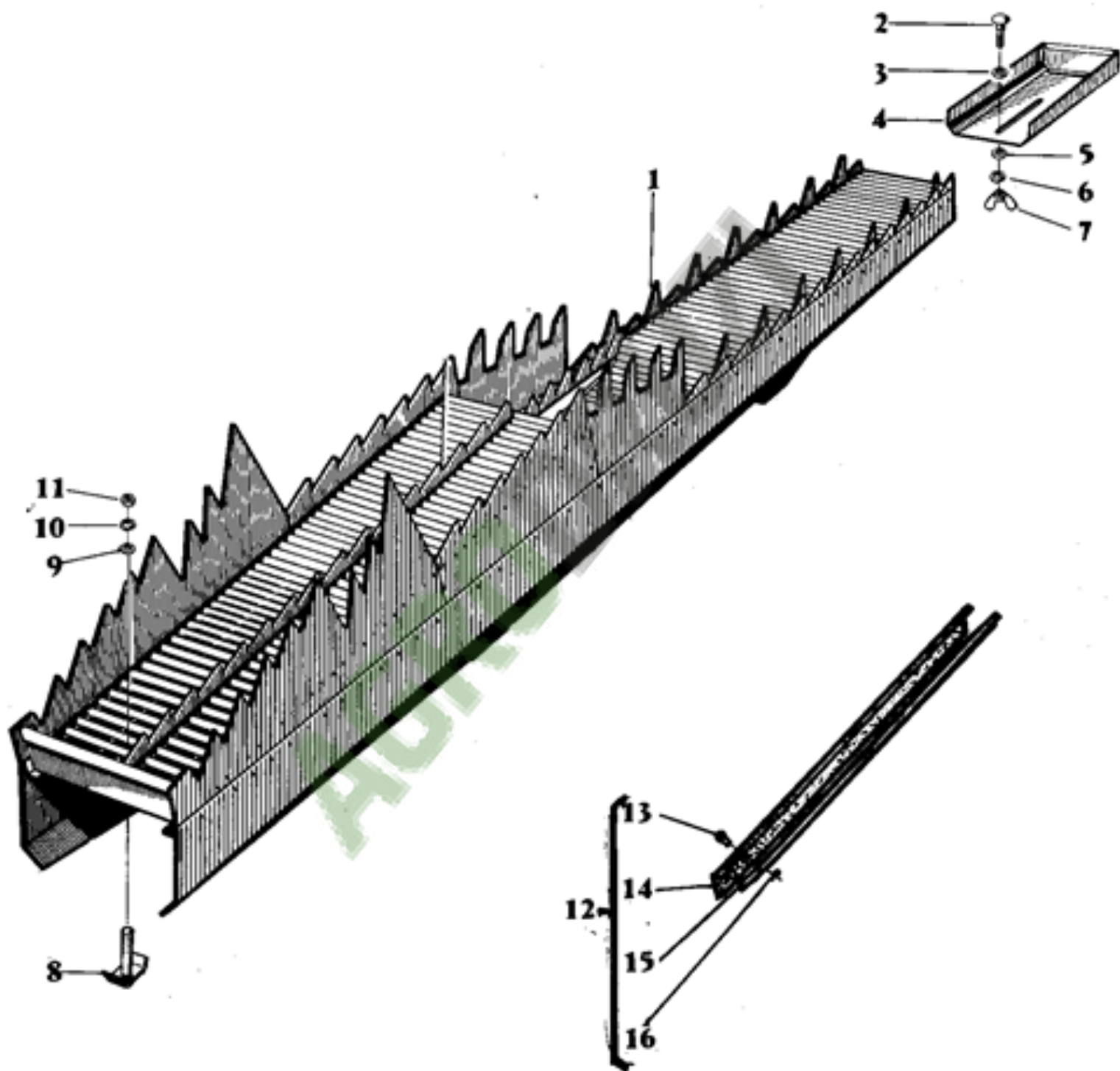


73-226

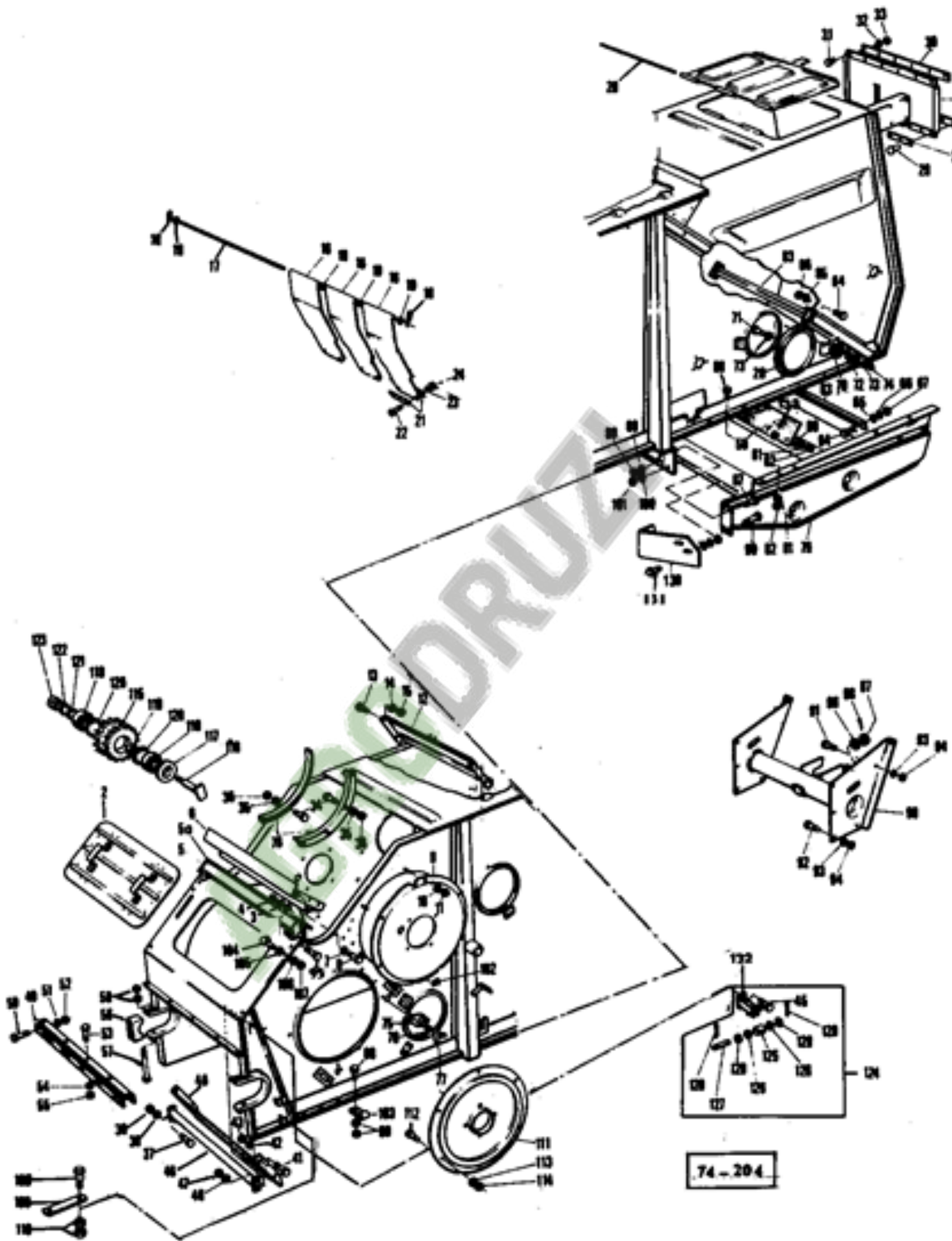


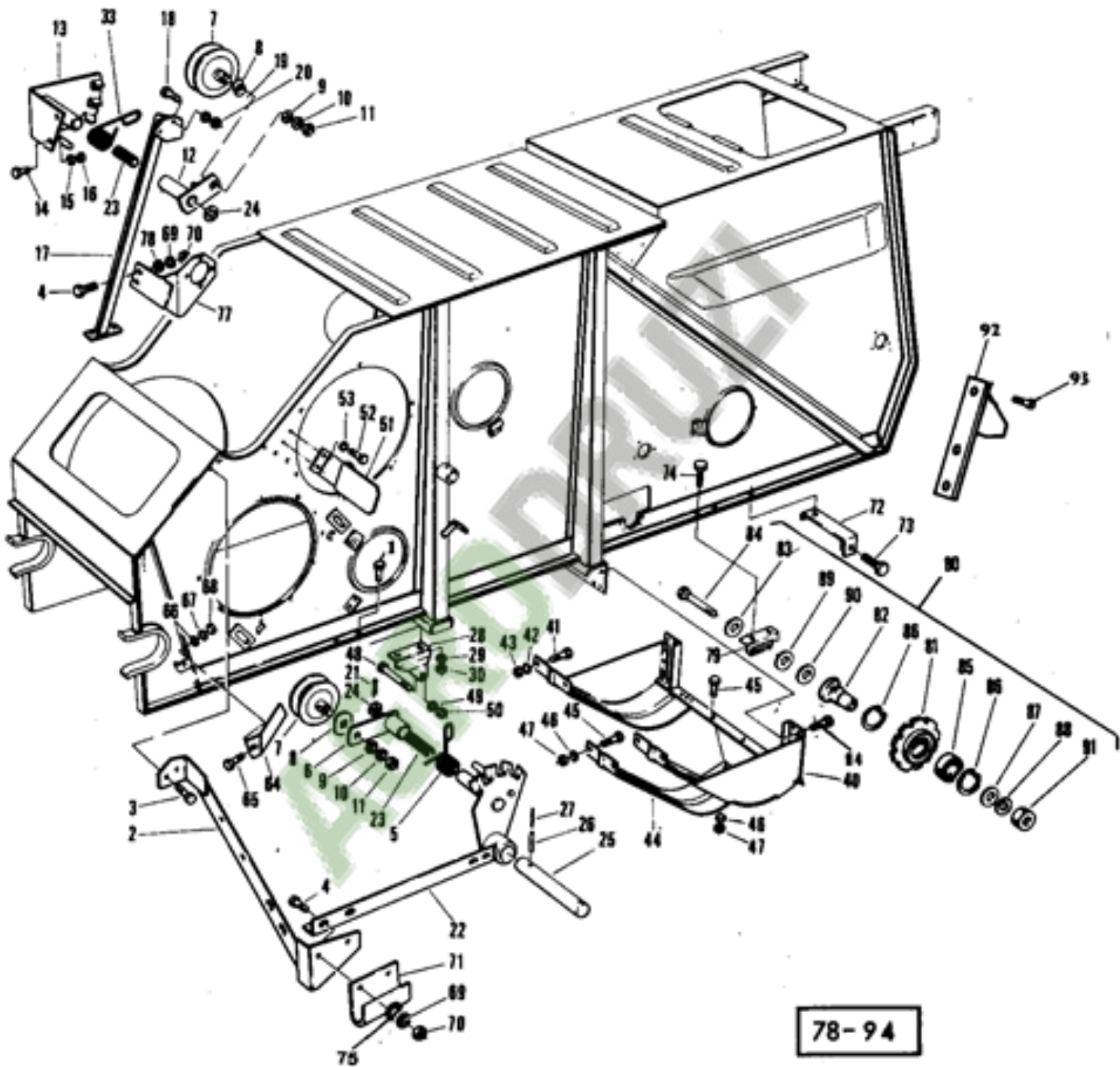
76-565



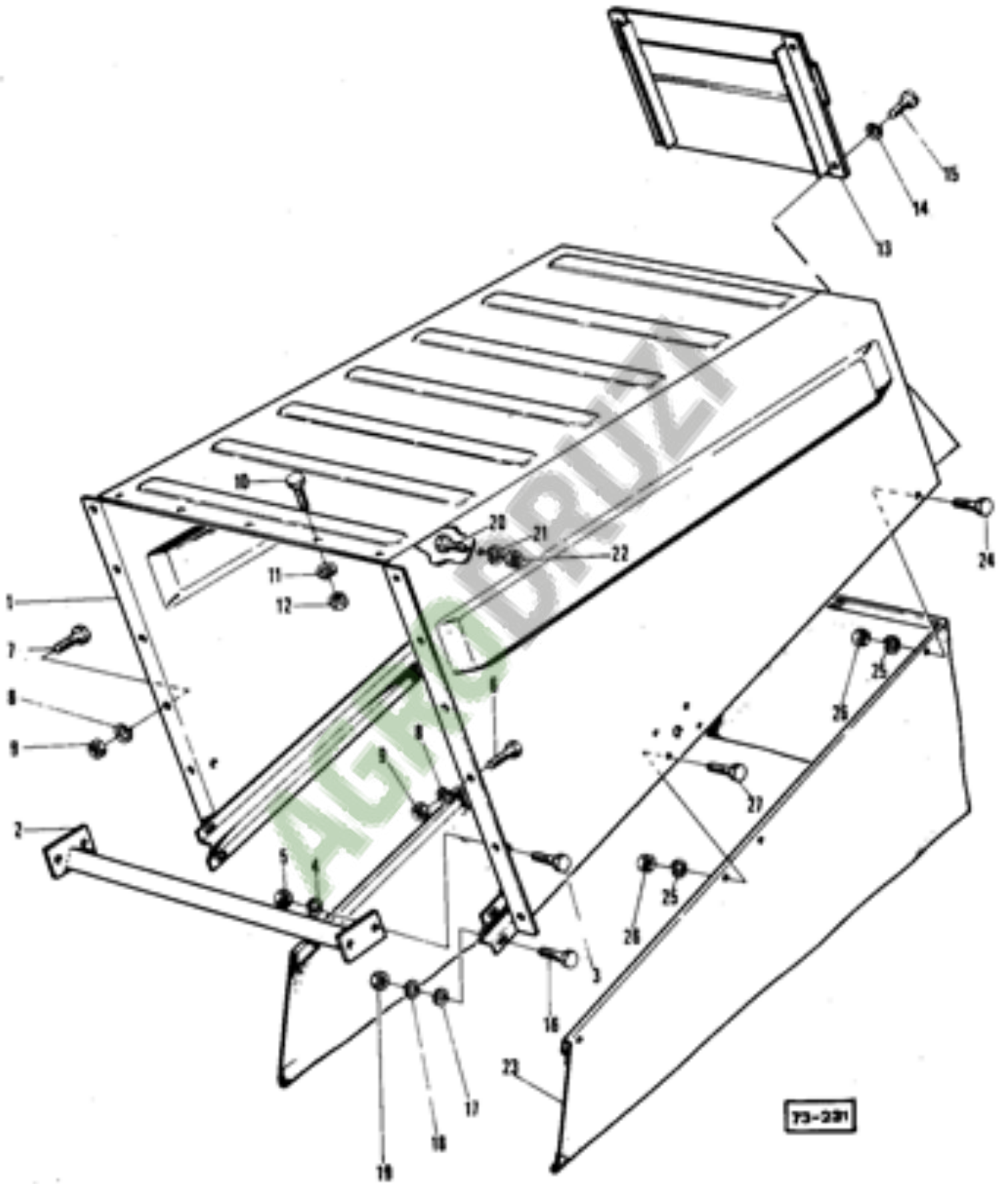


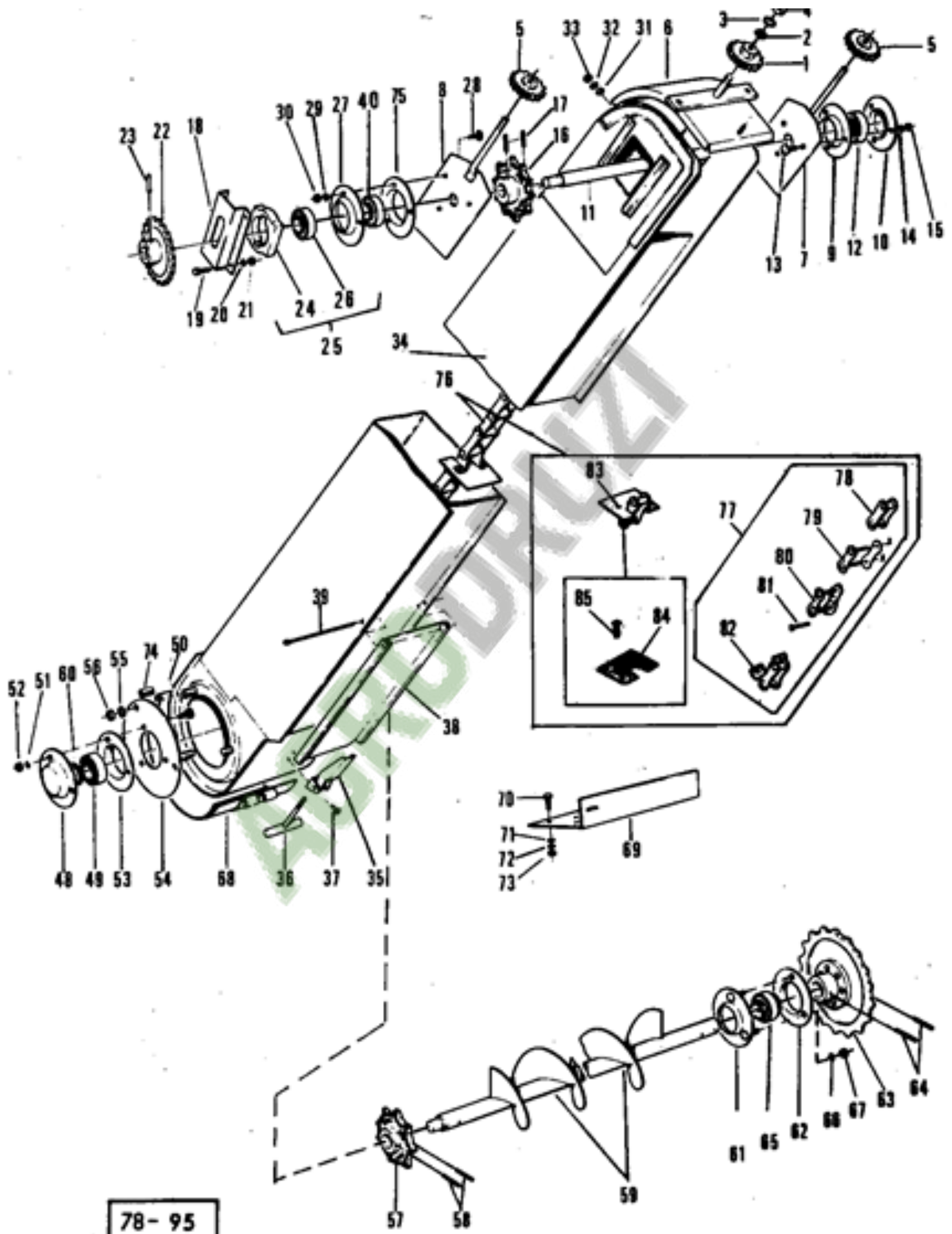




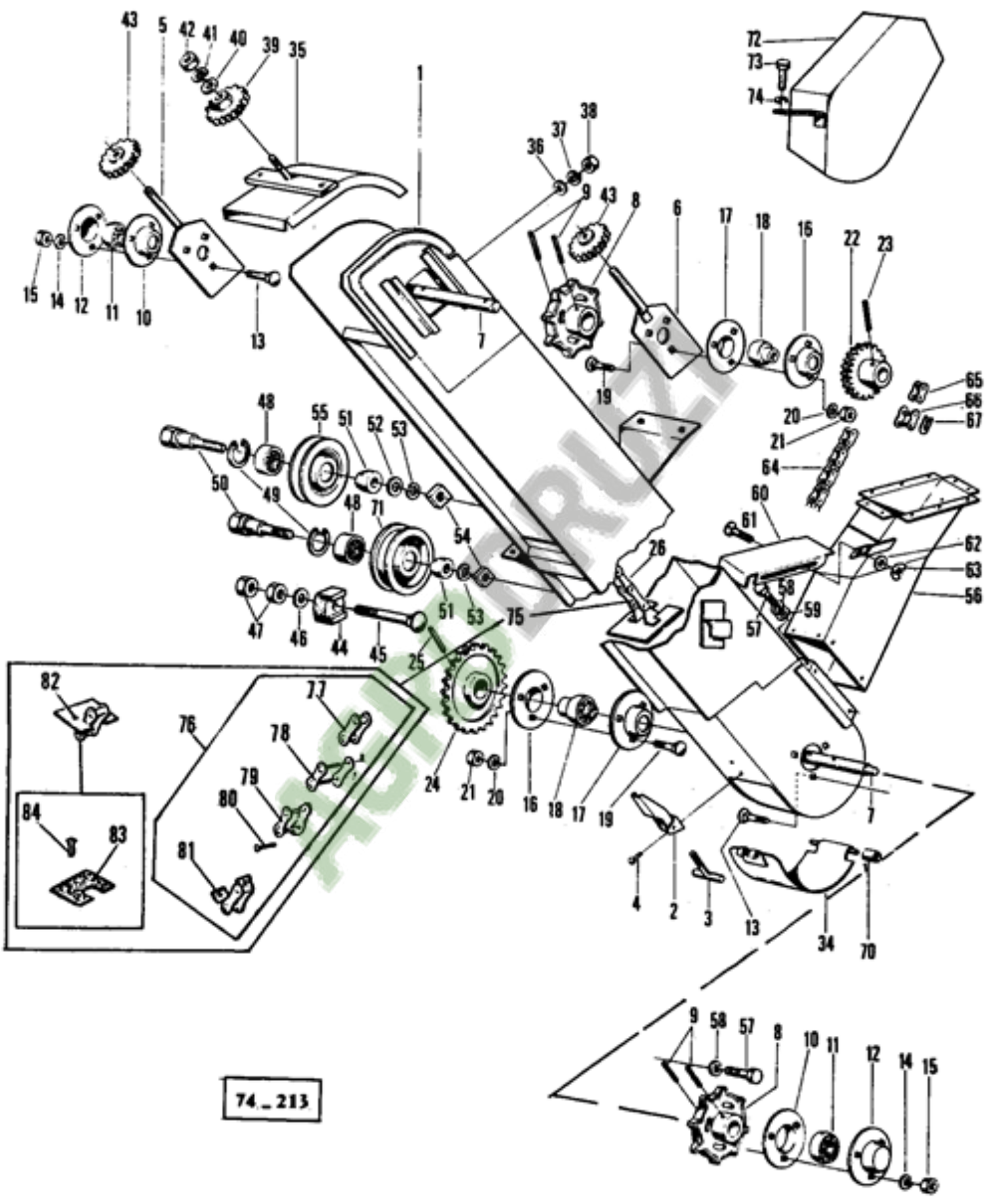


78-94



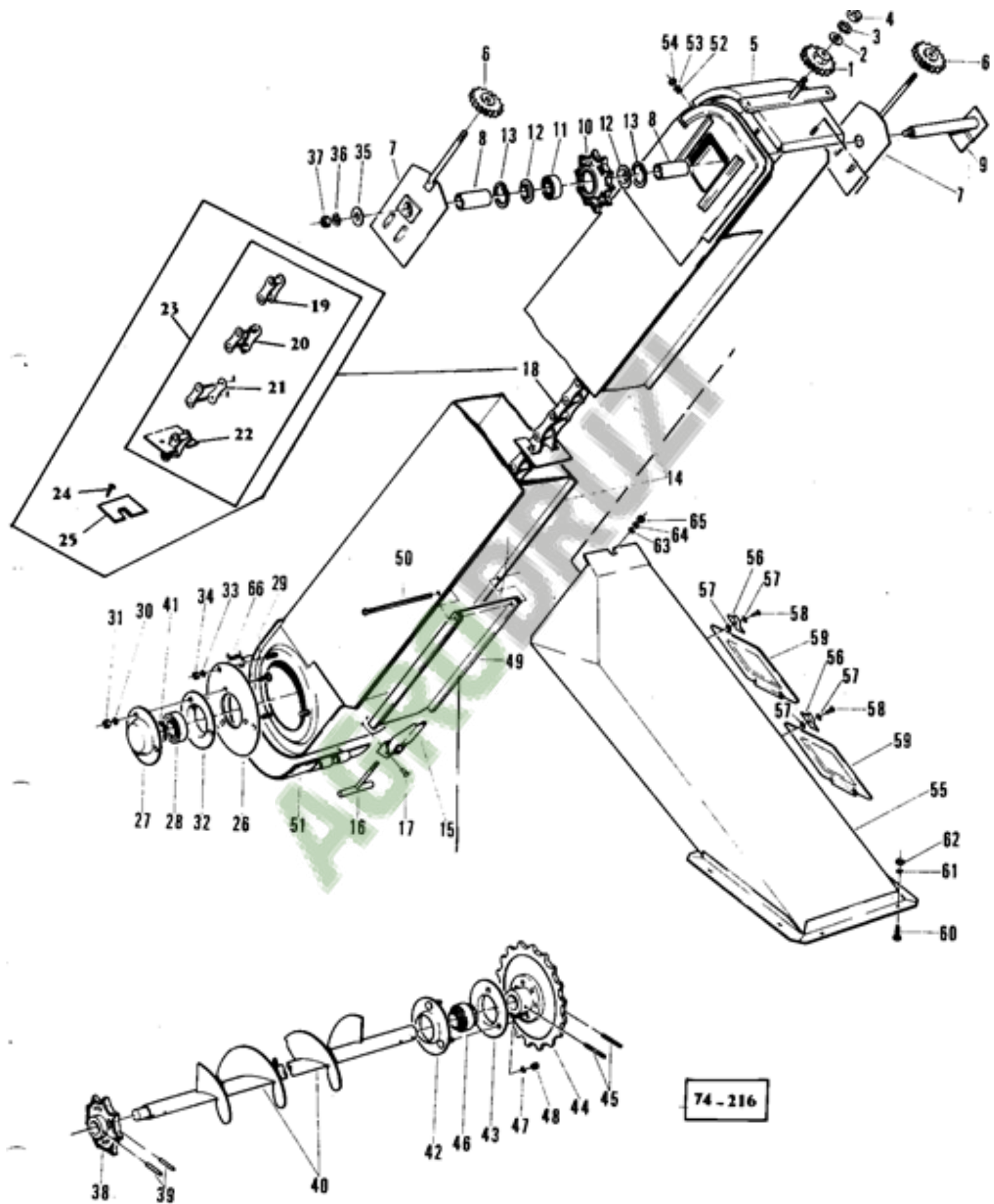


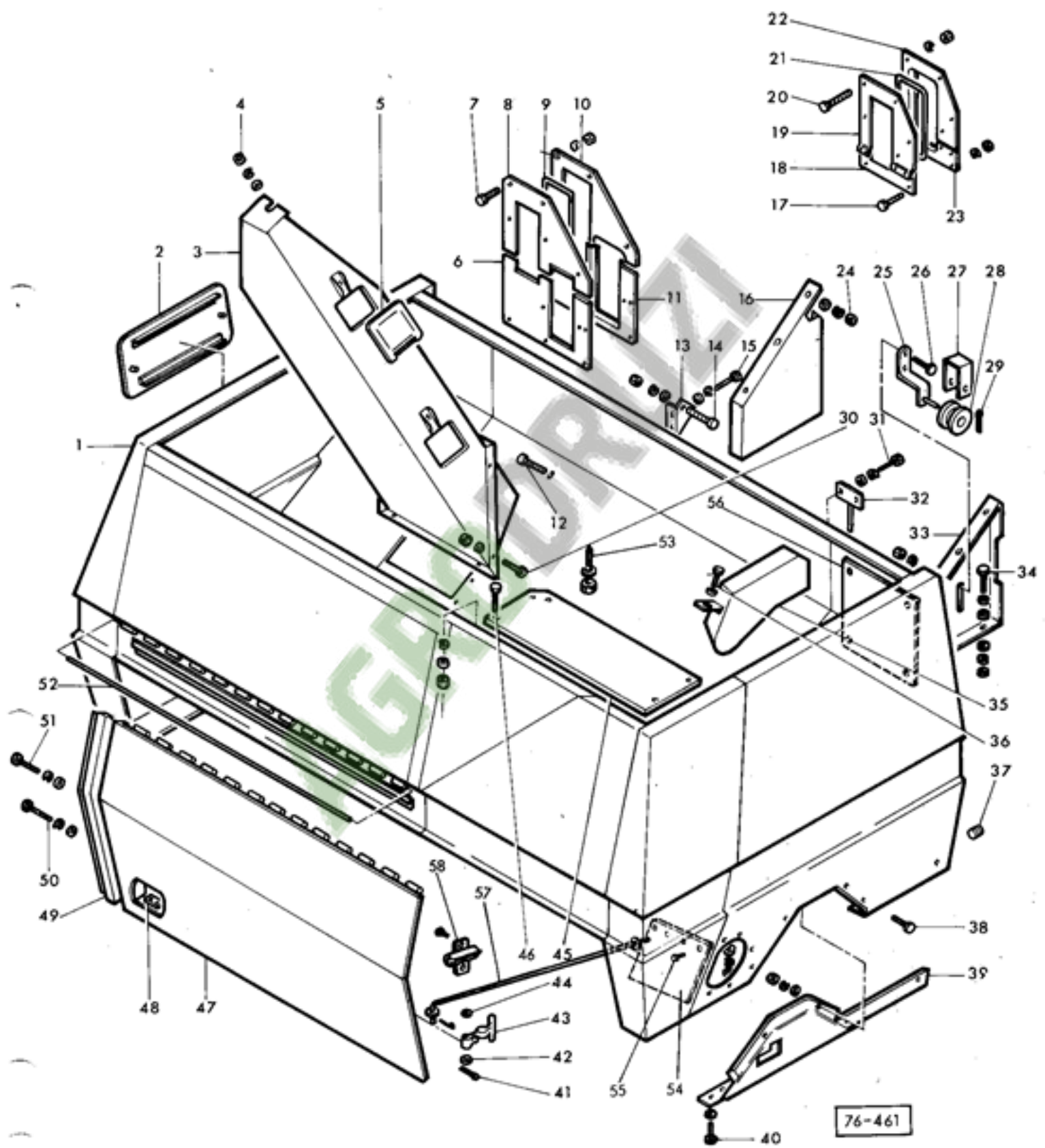


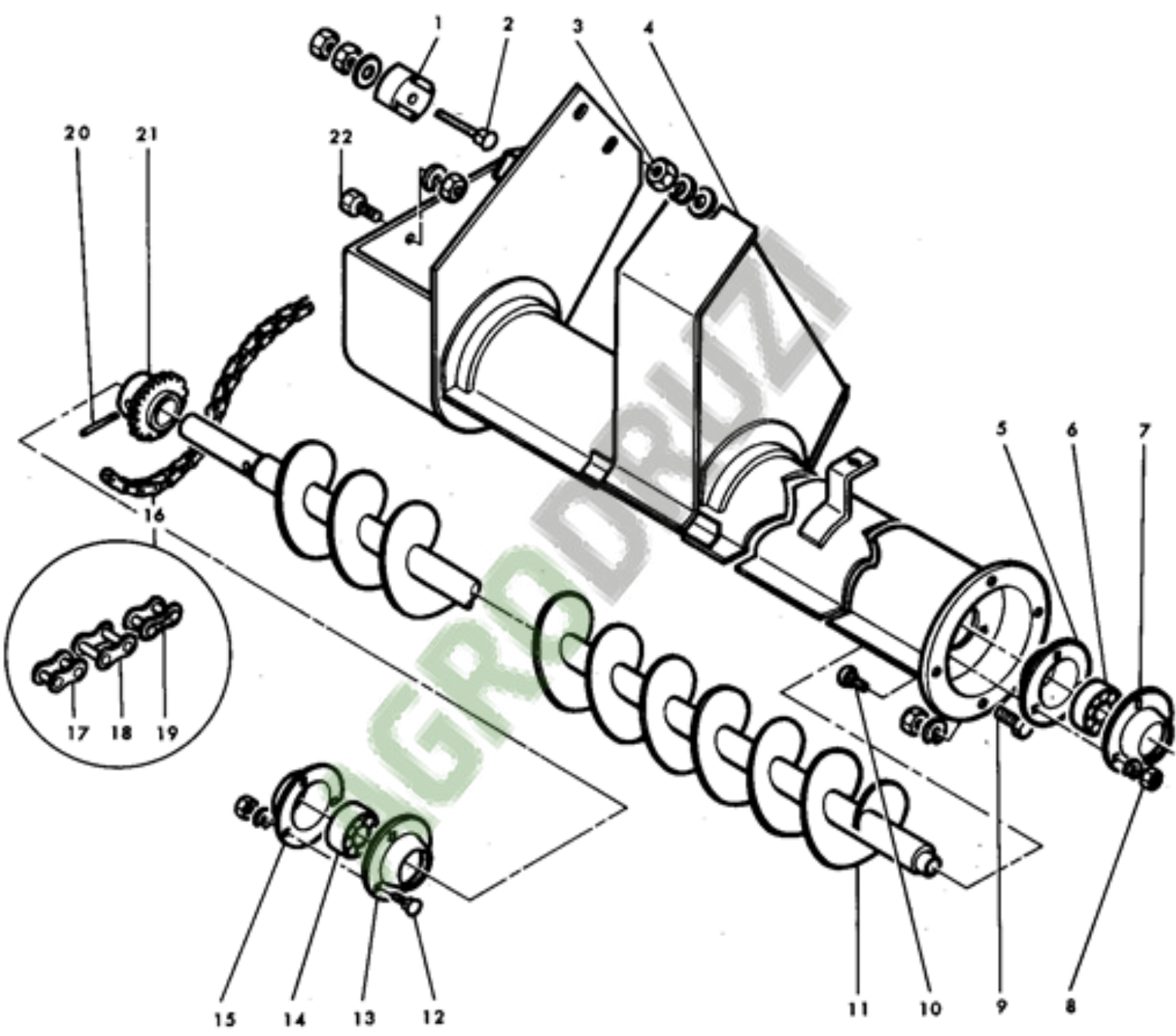


74\_213

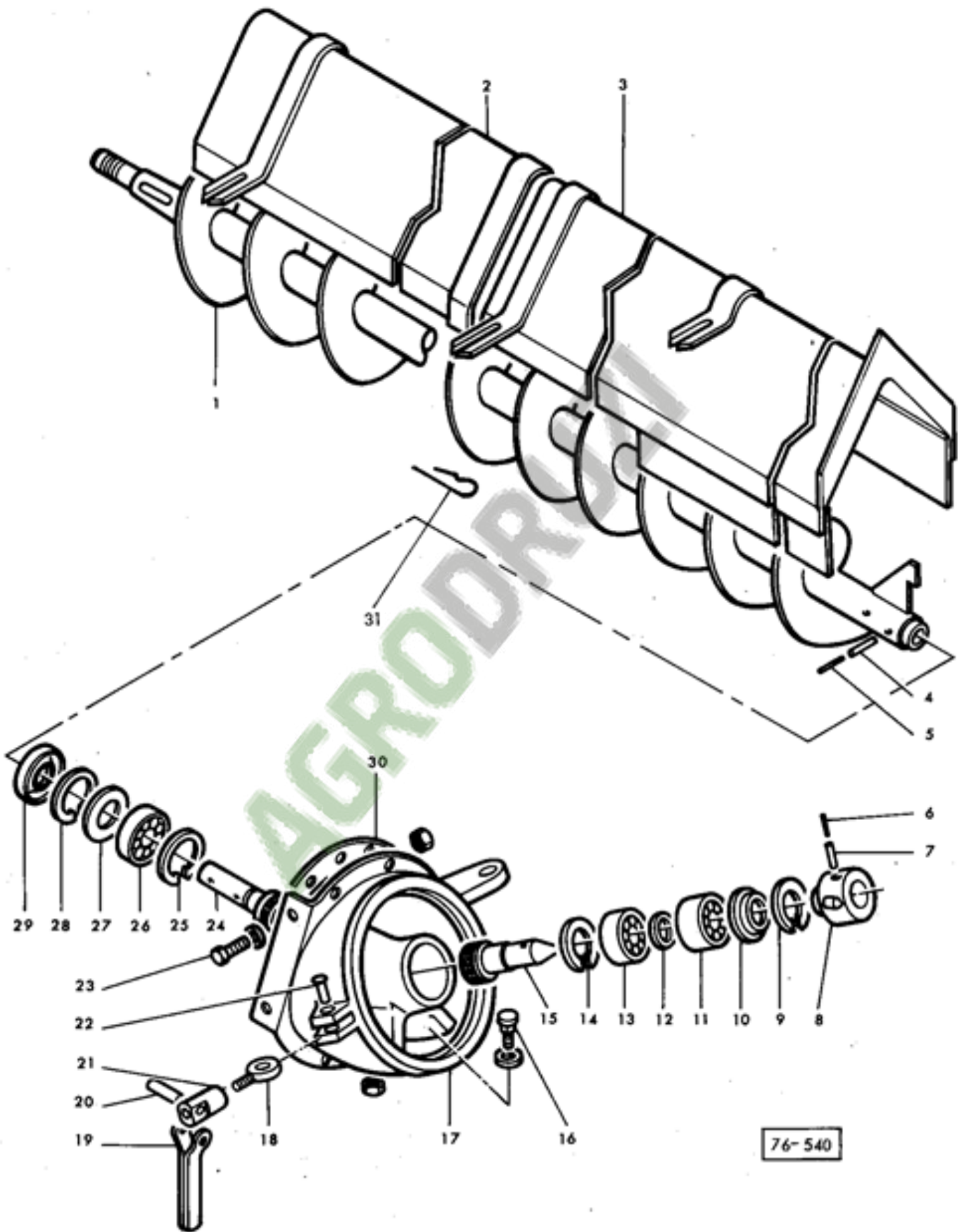




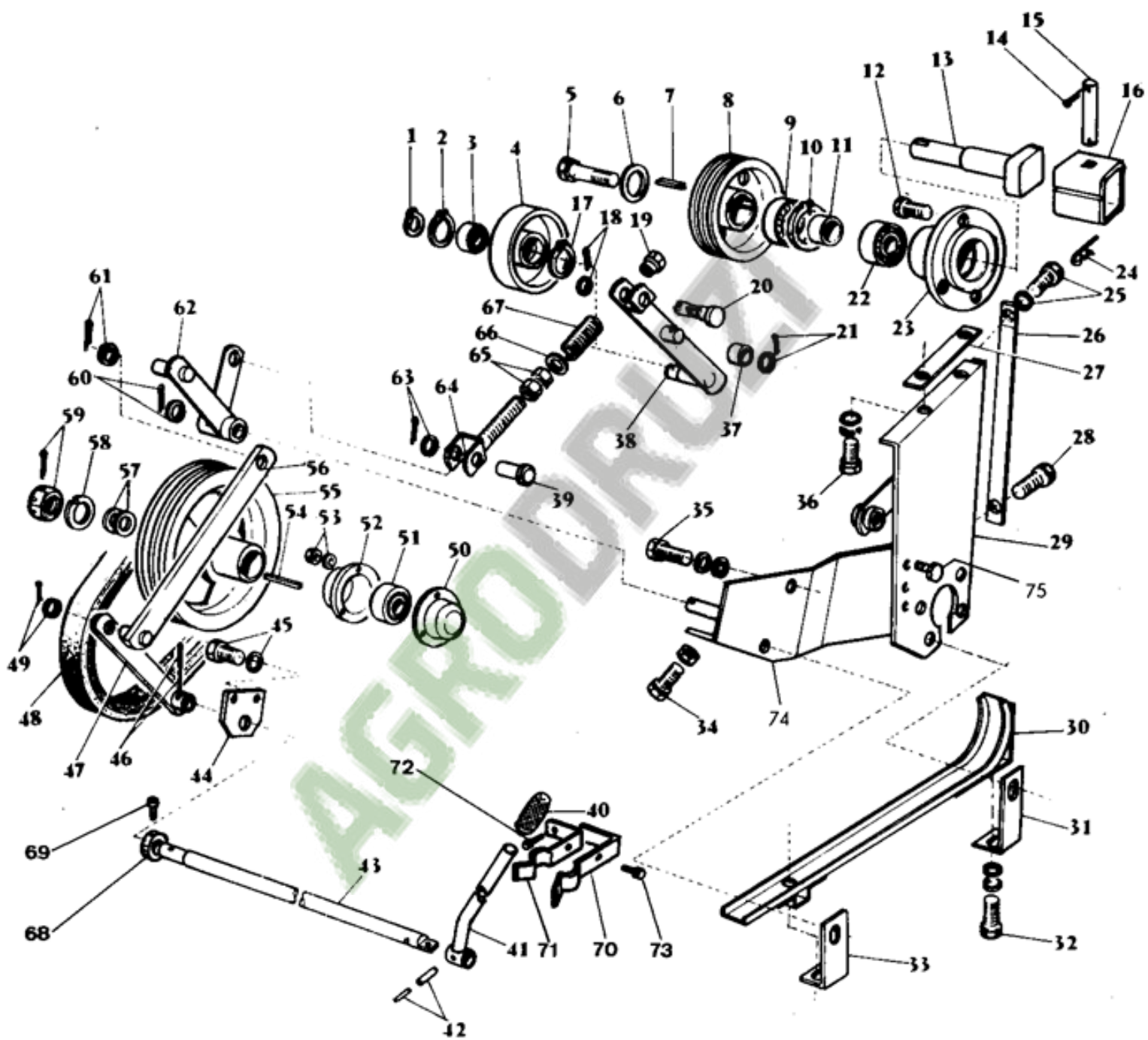




74-229

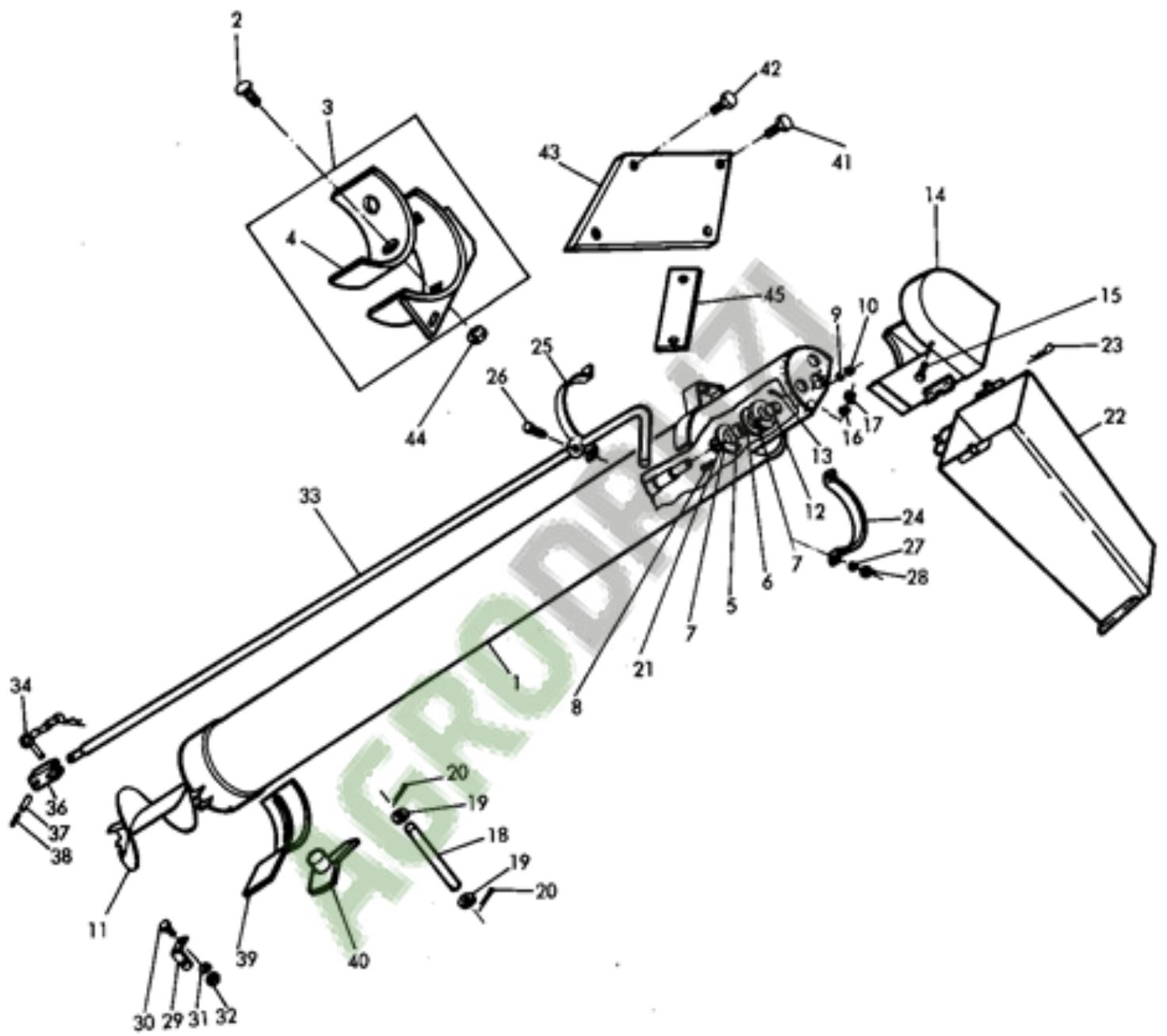


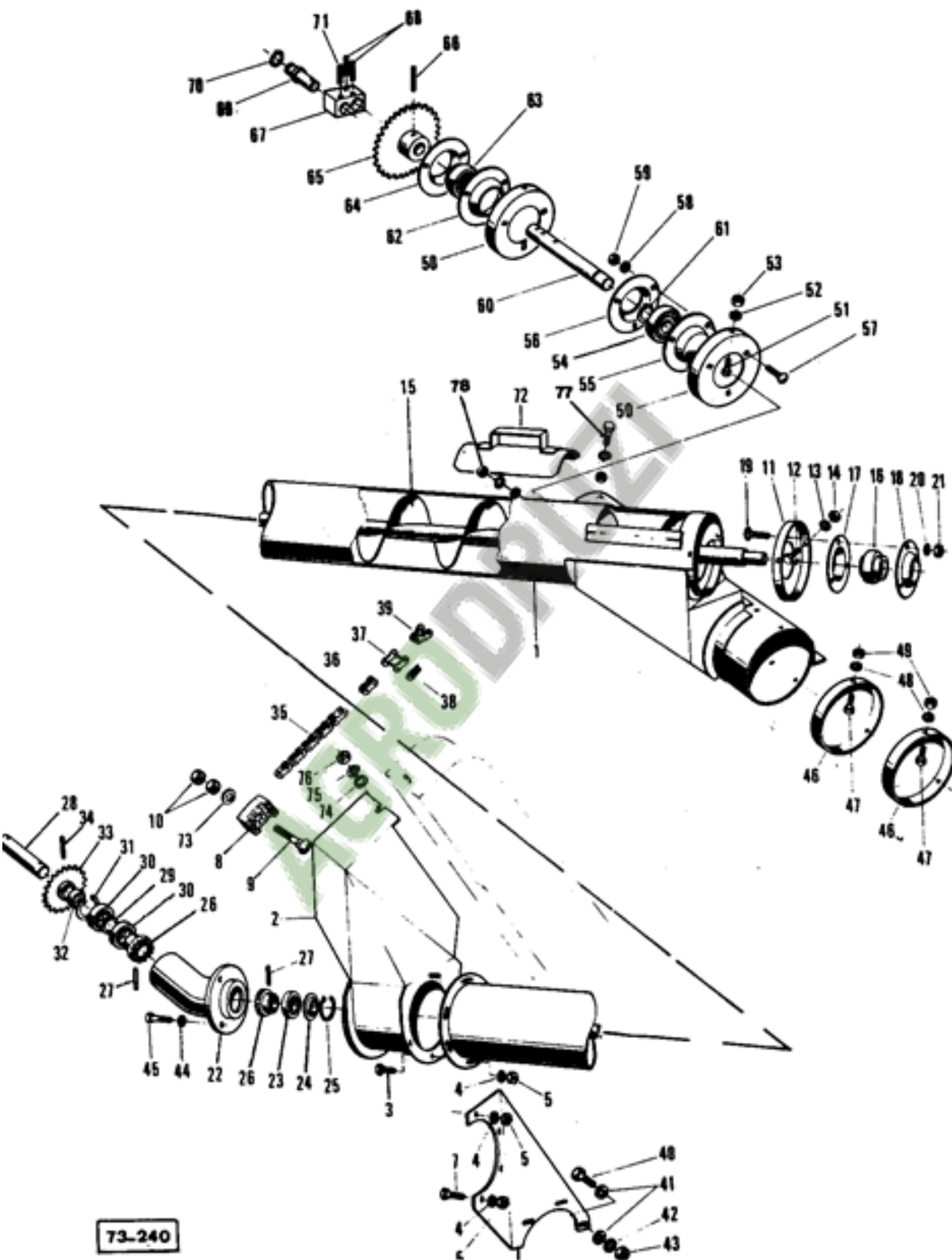




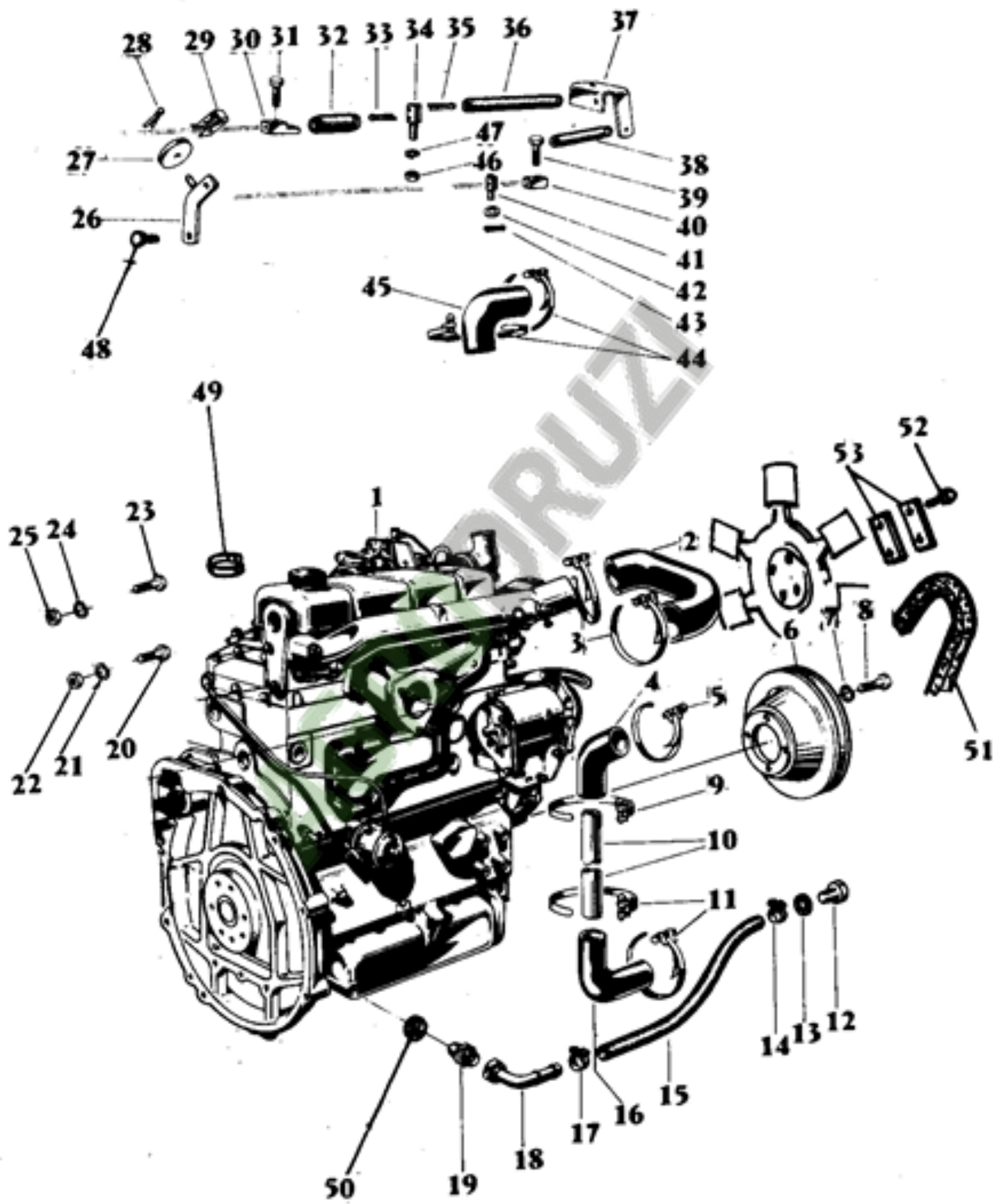
76-137

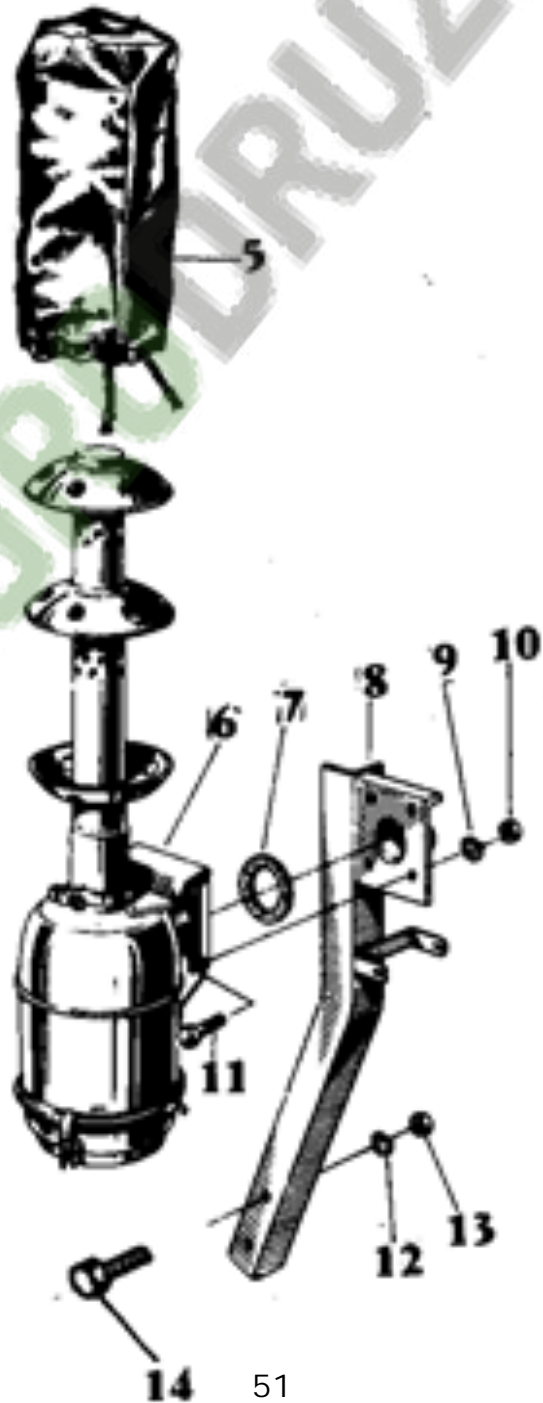
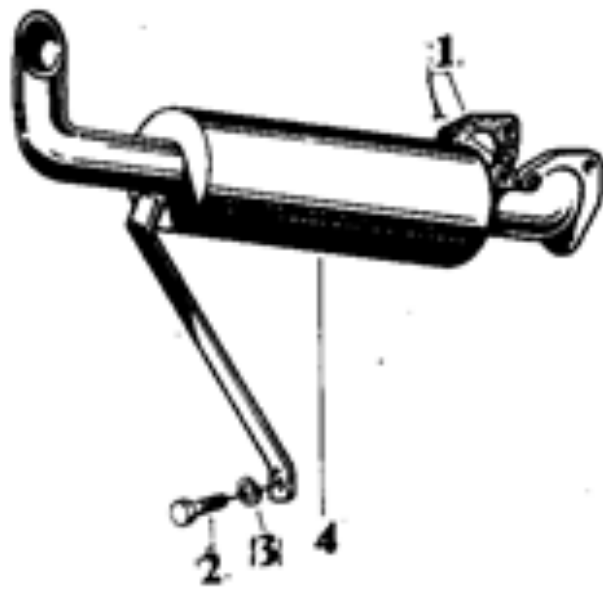




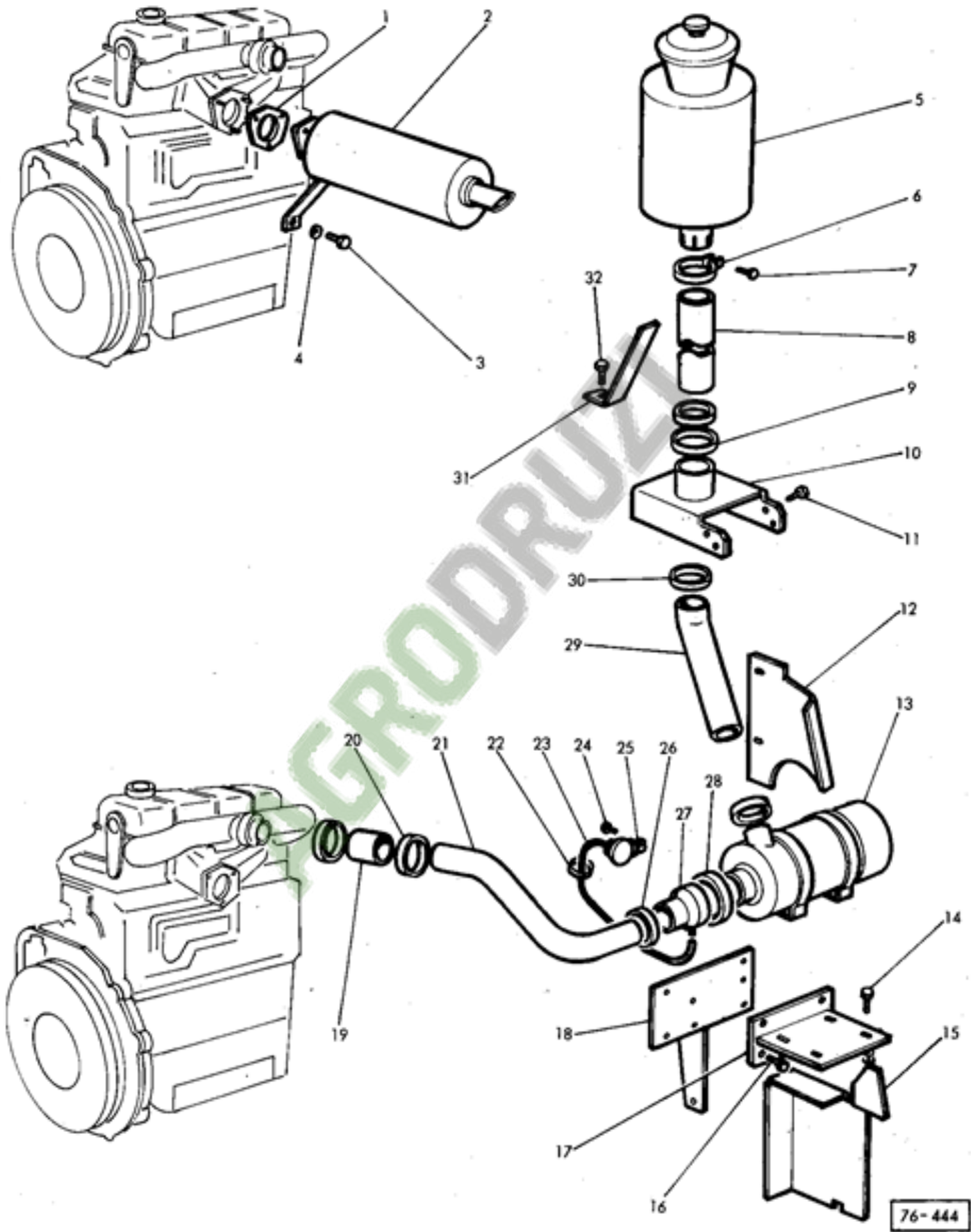


73-240

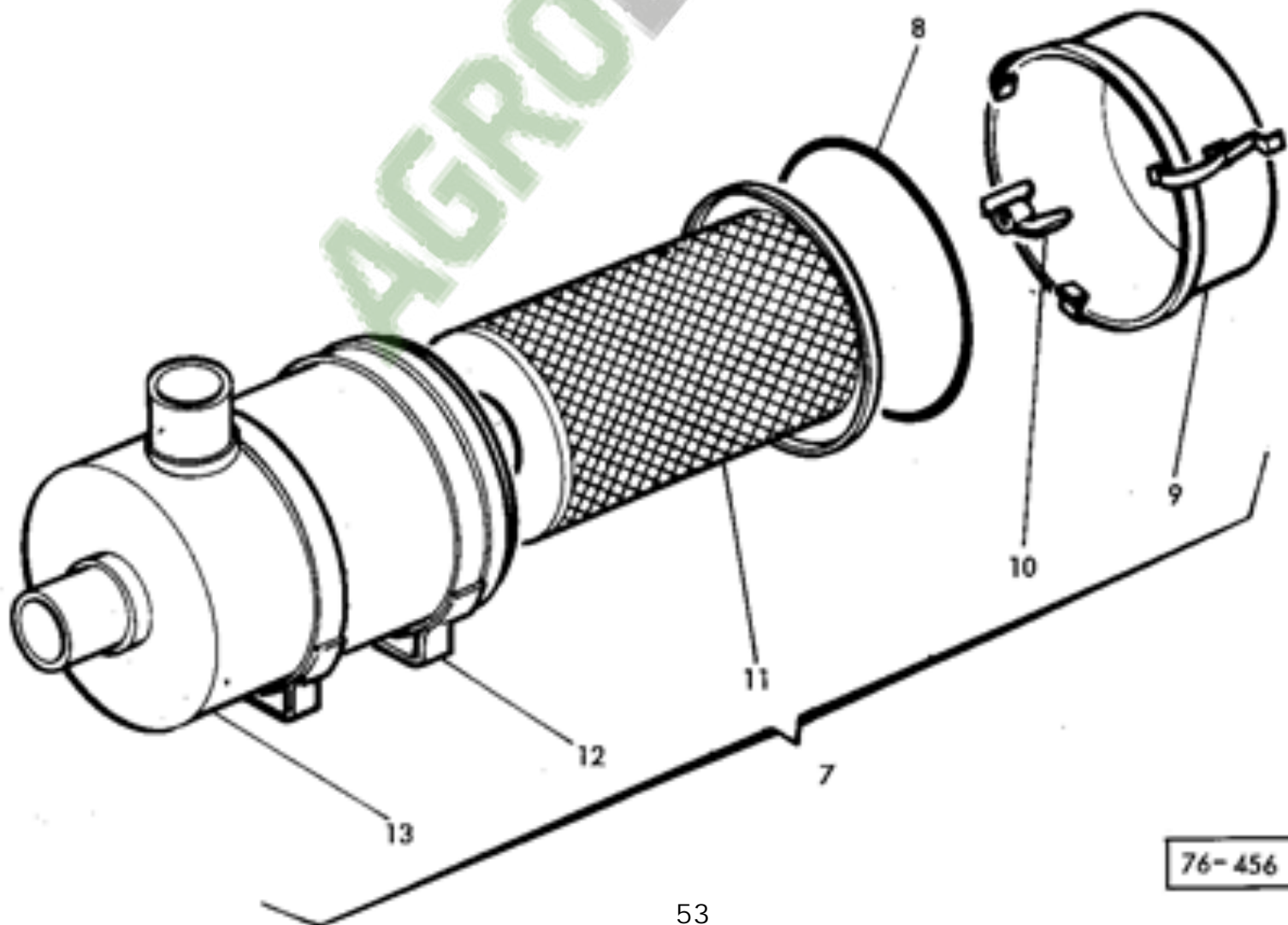
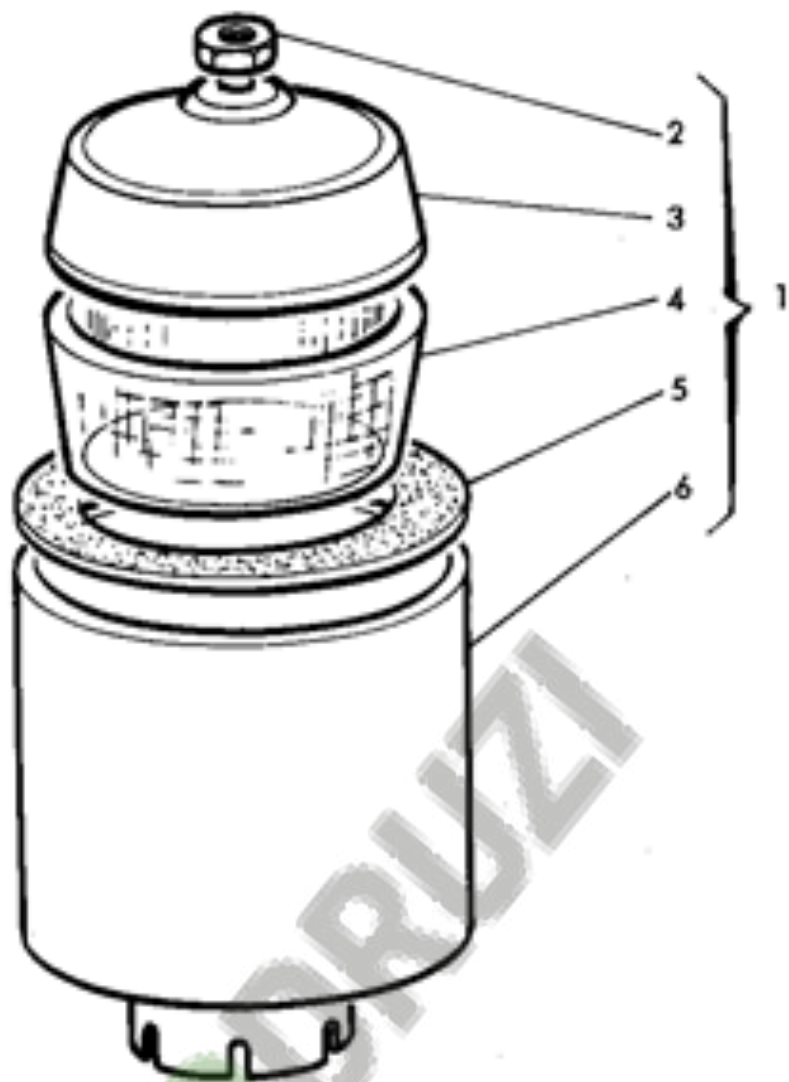




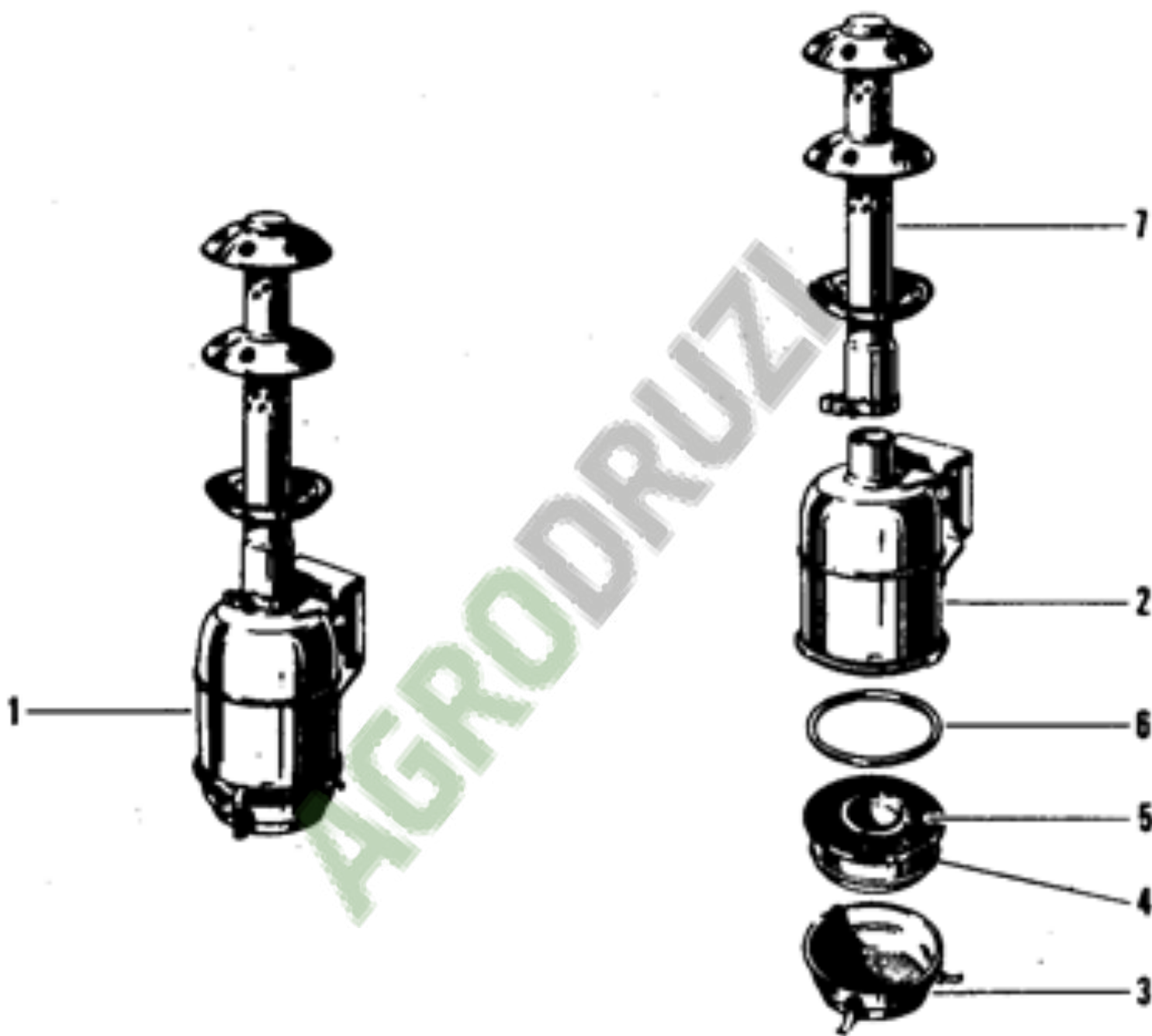
76-468



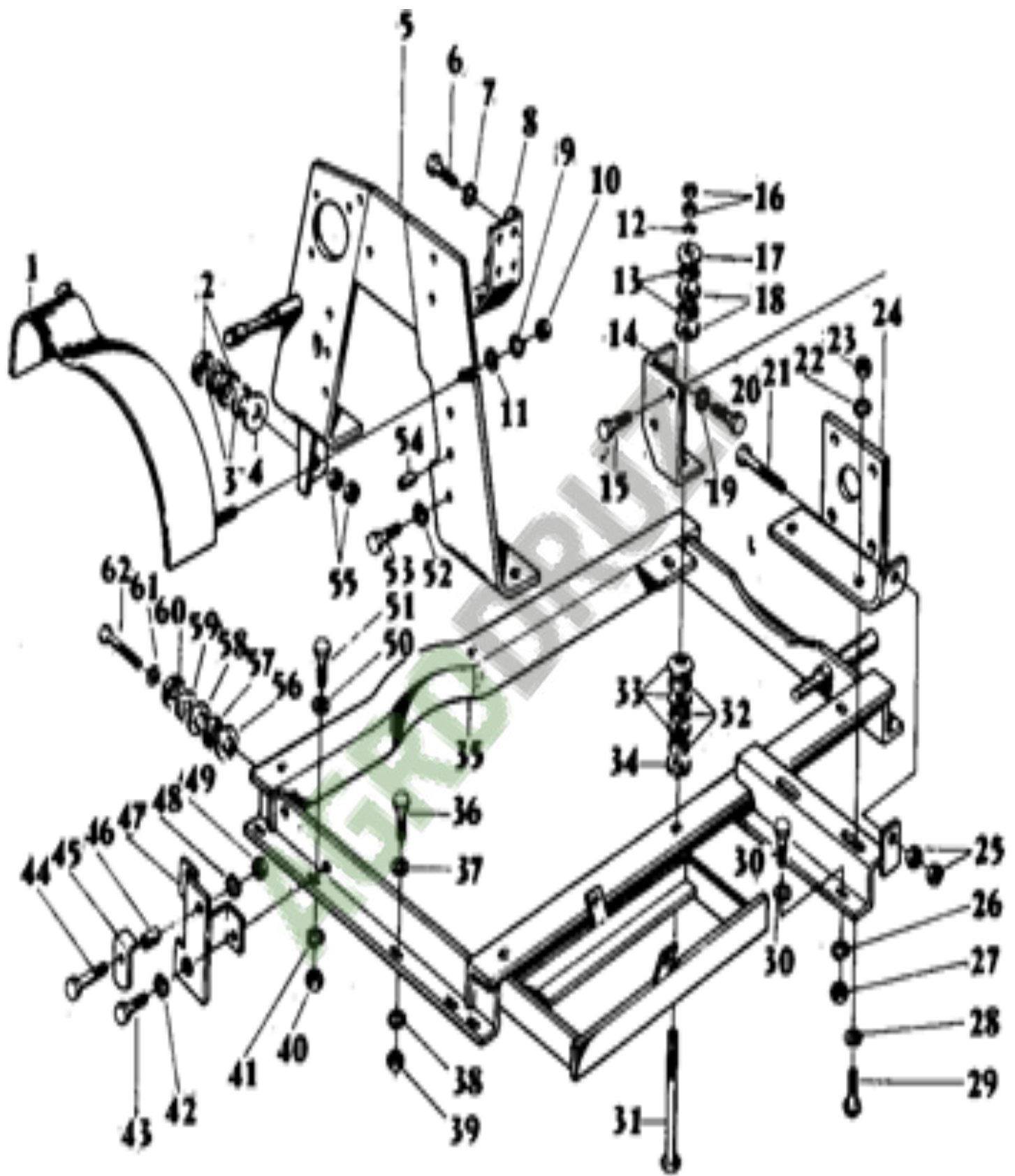




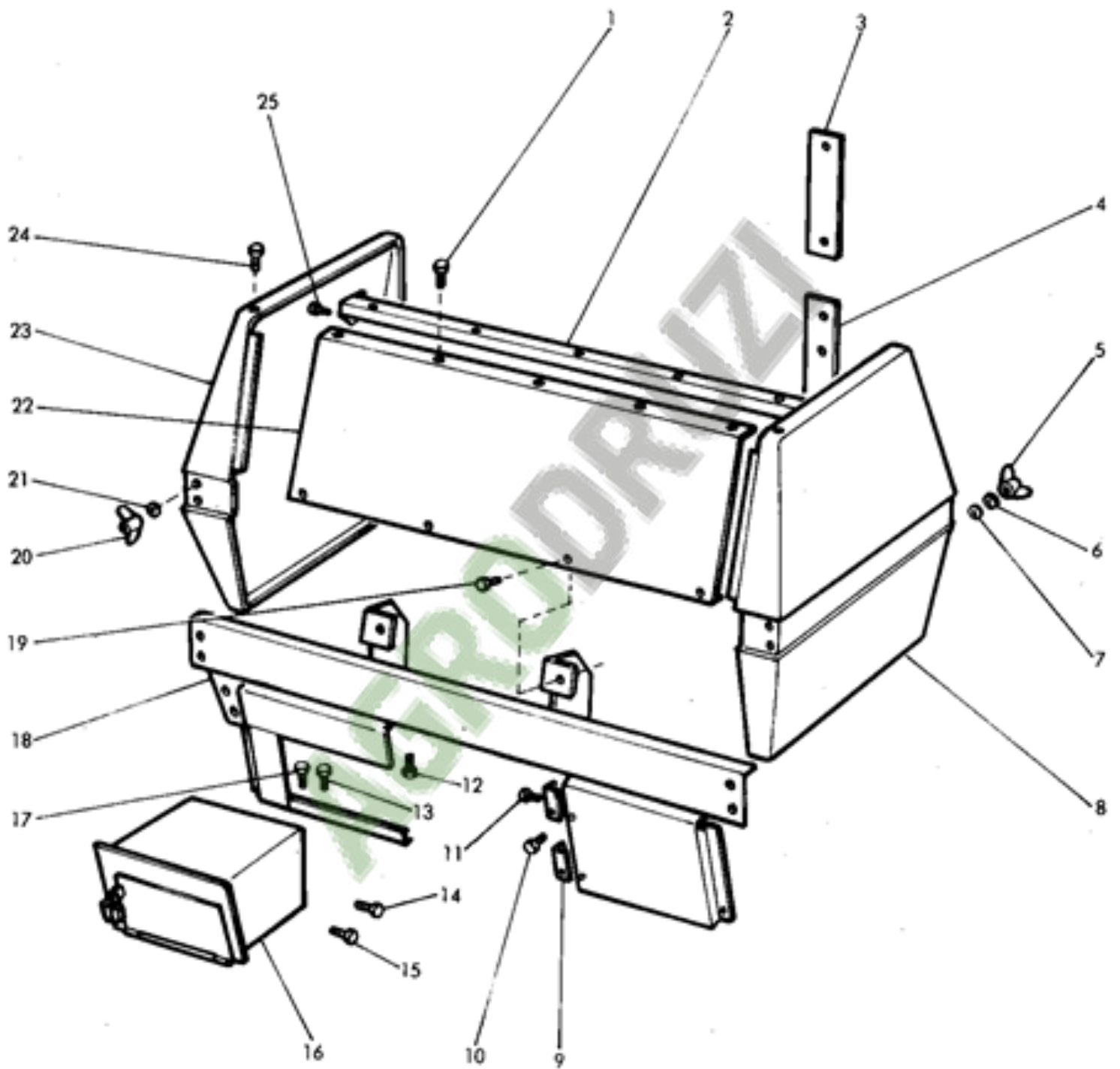
76-456



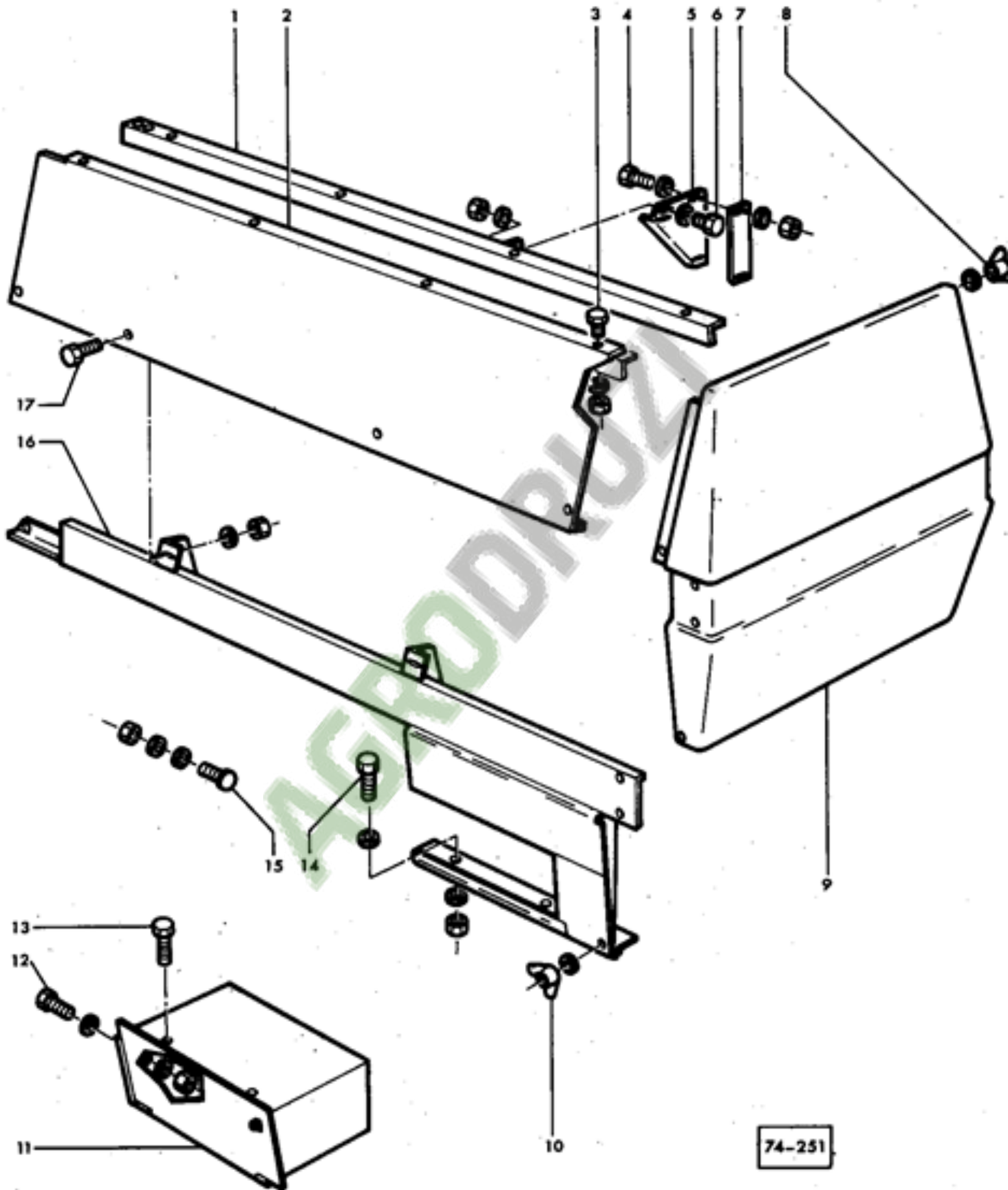
72-300



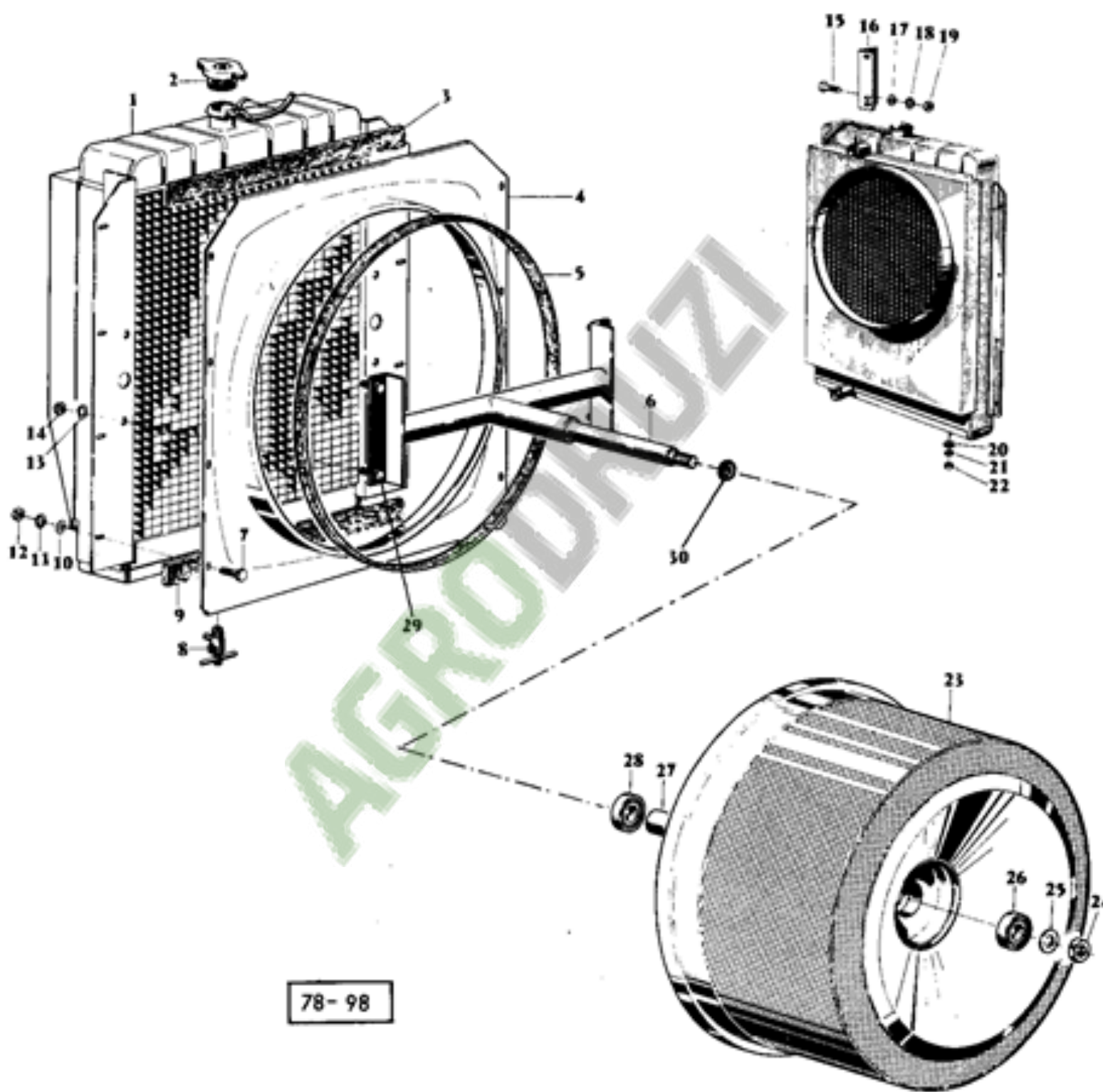
74-210

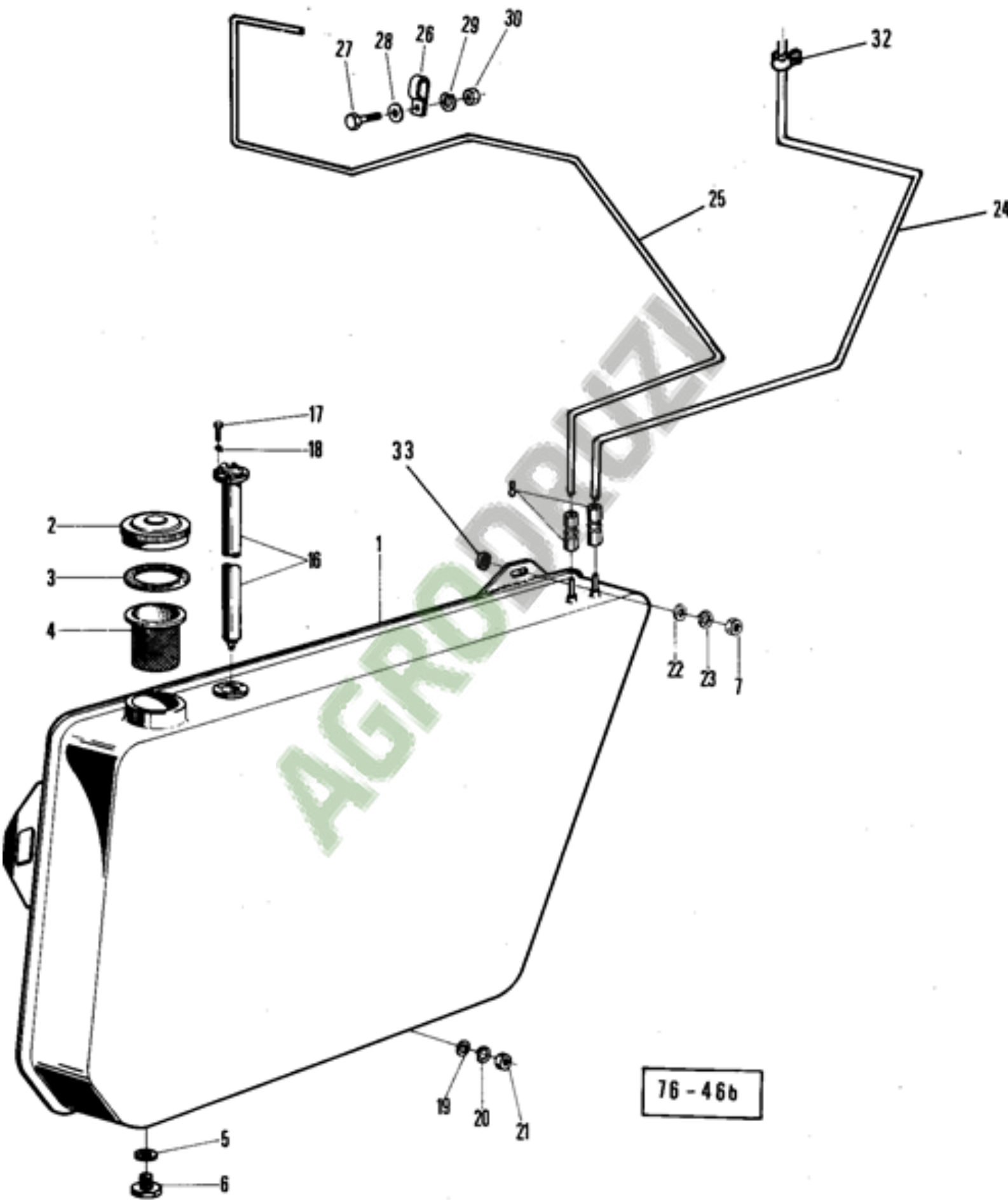


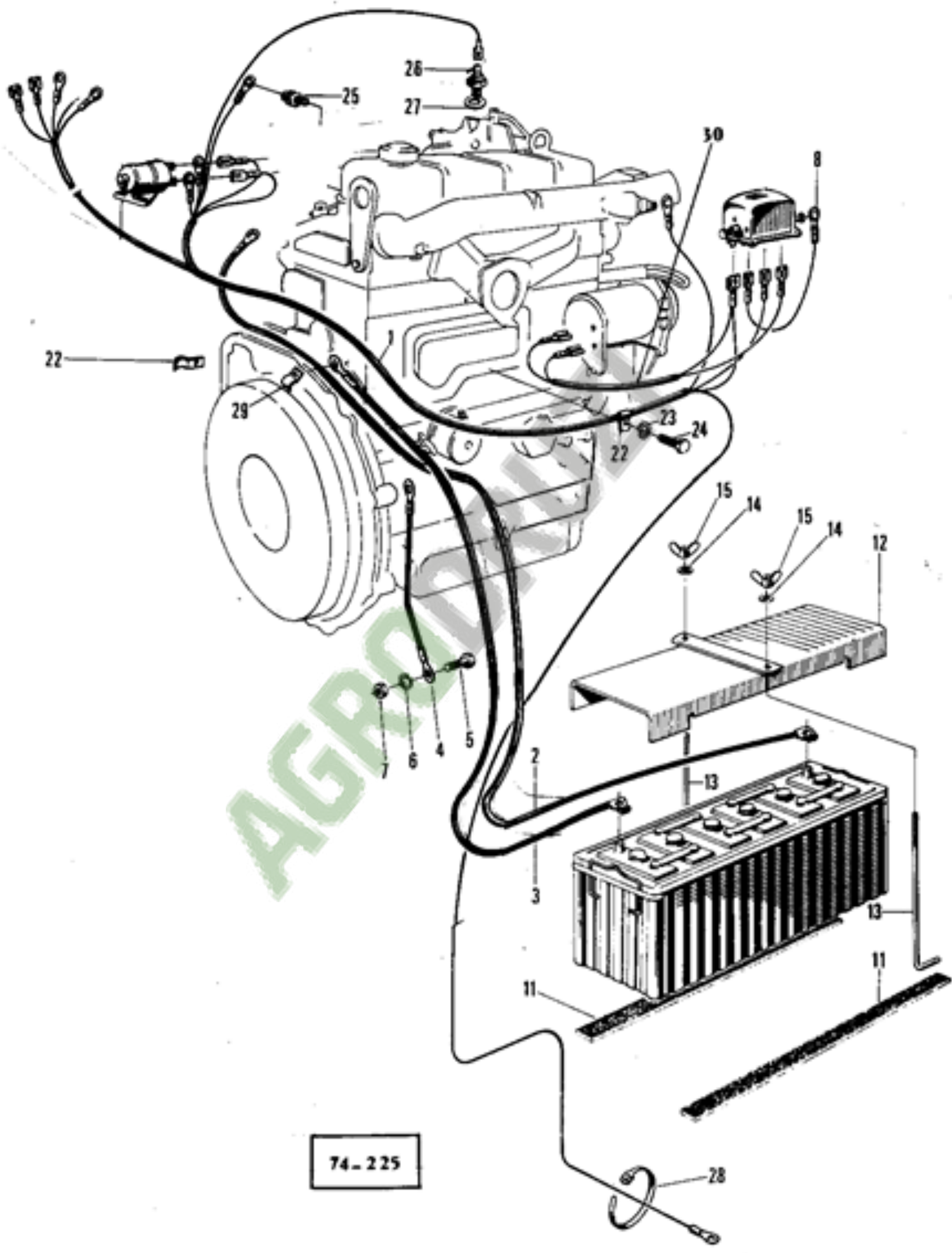




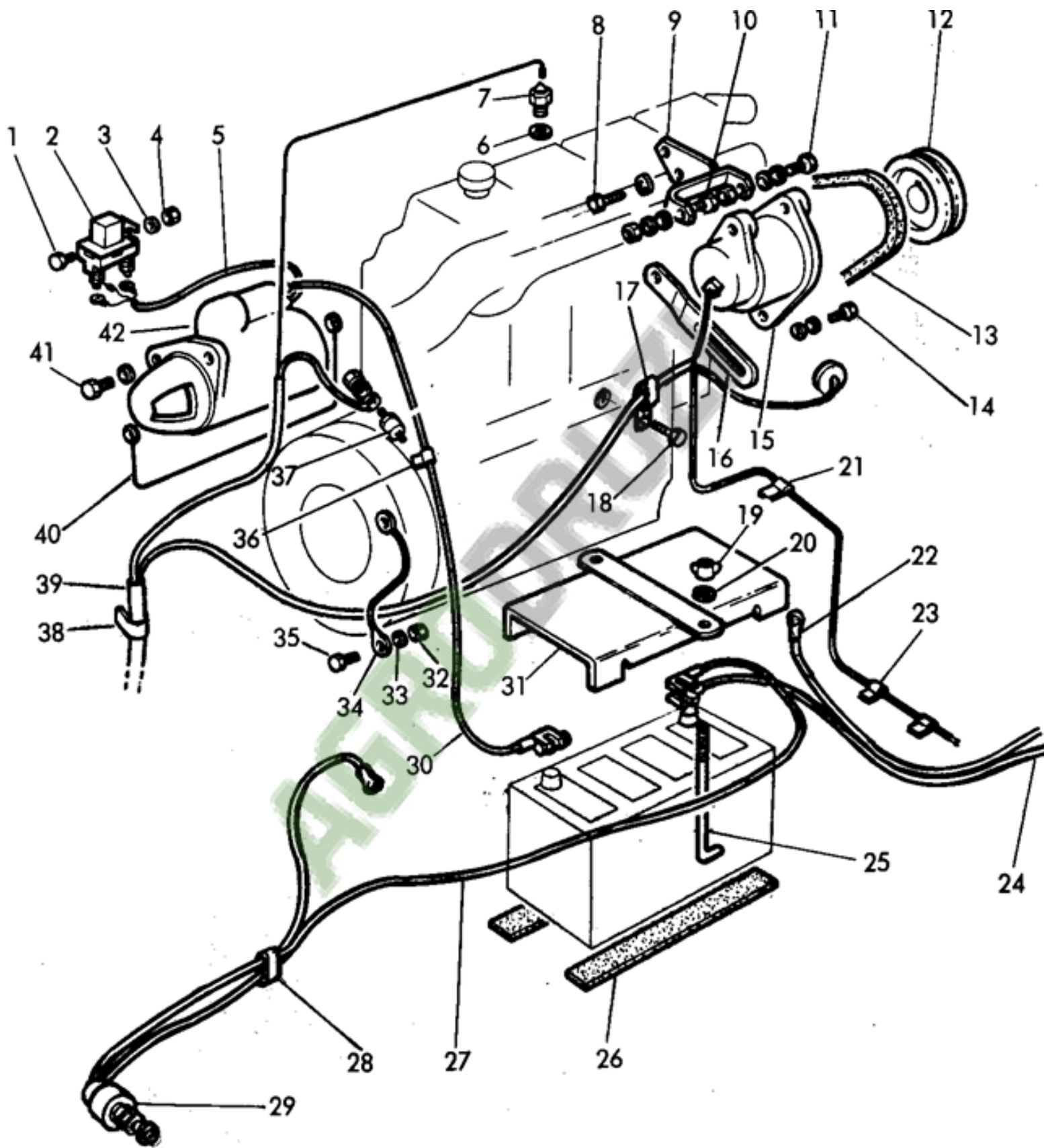
74-251

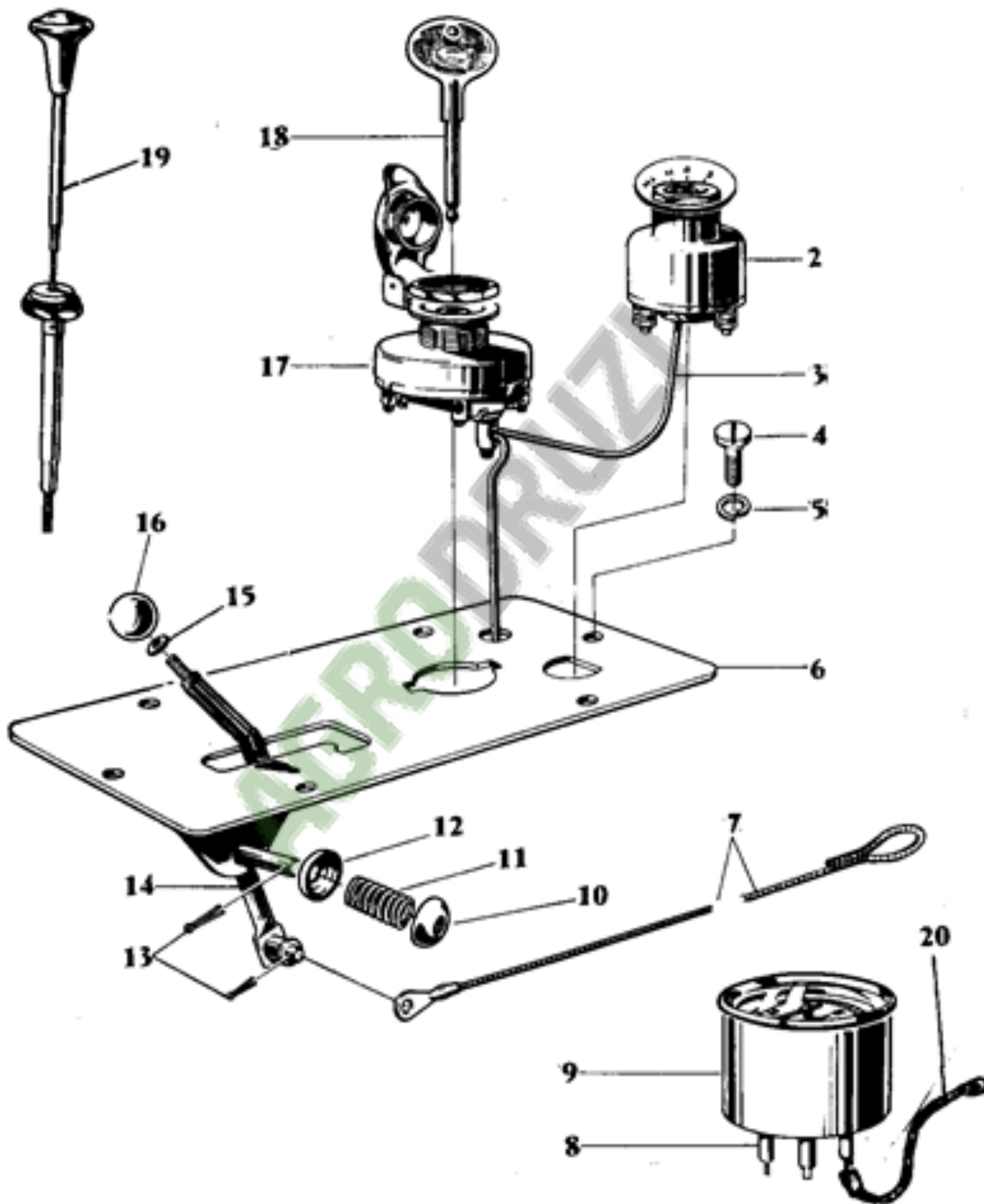


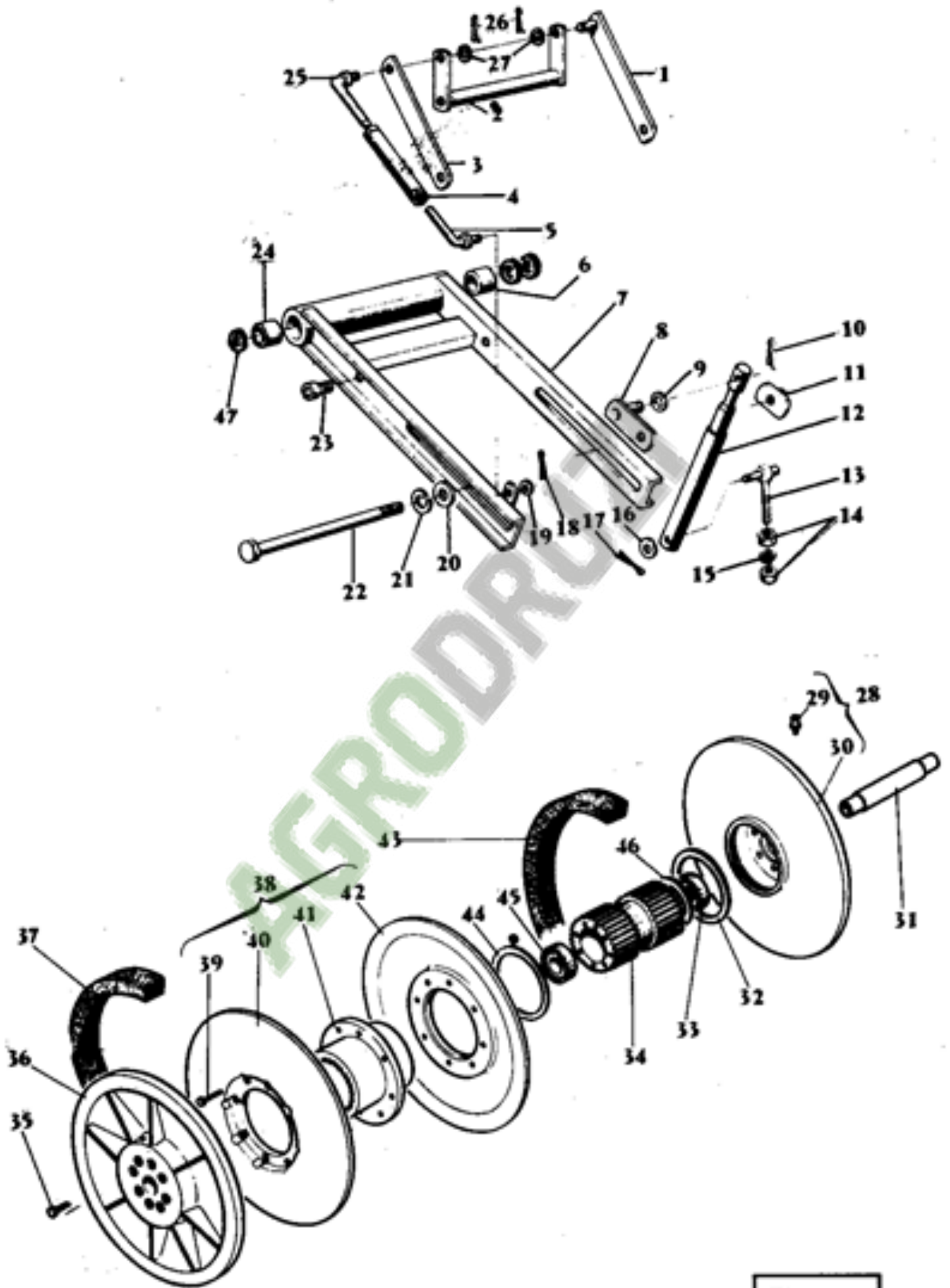




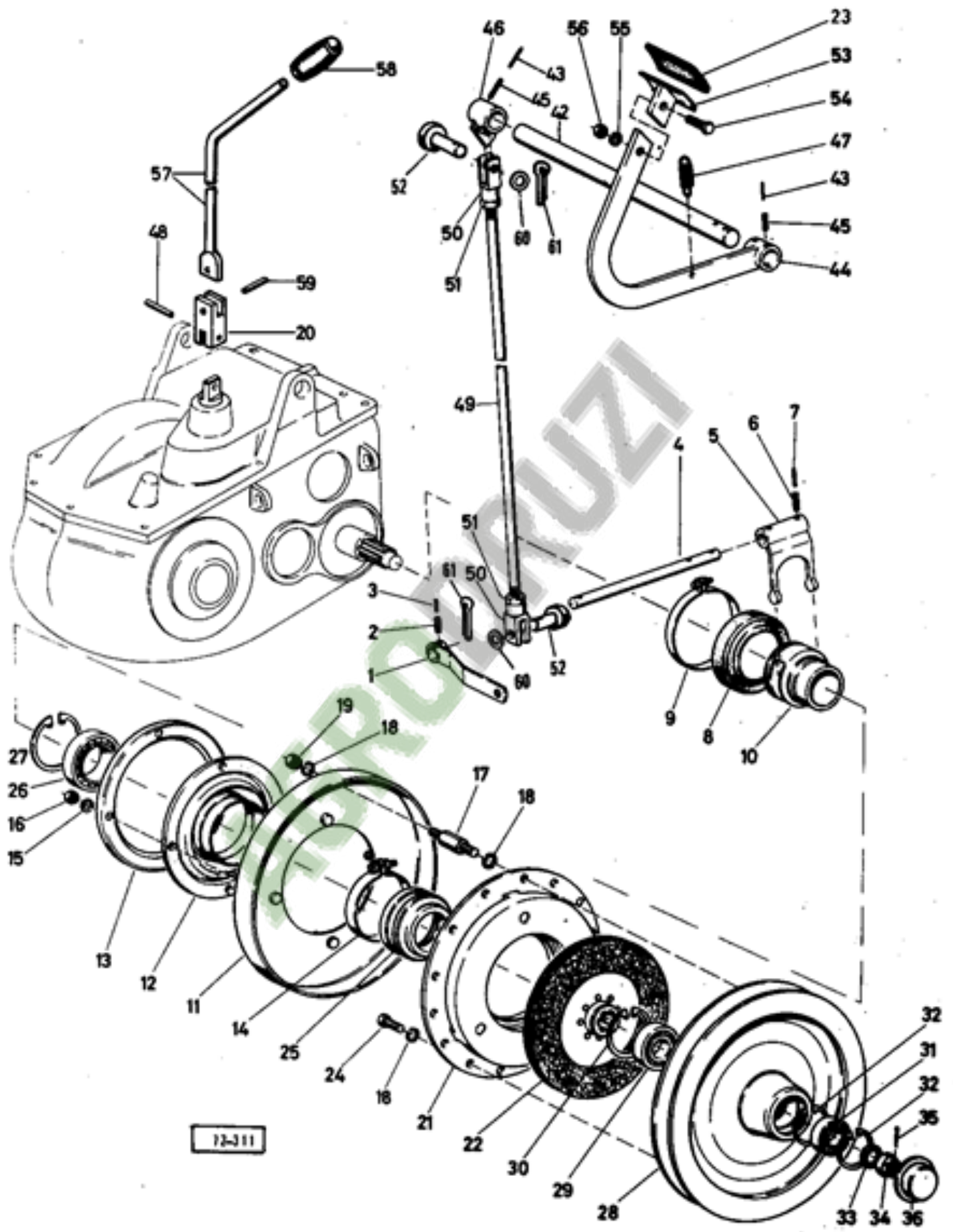




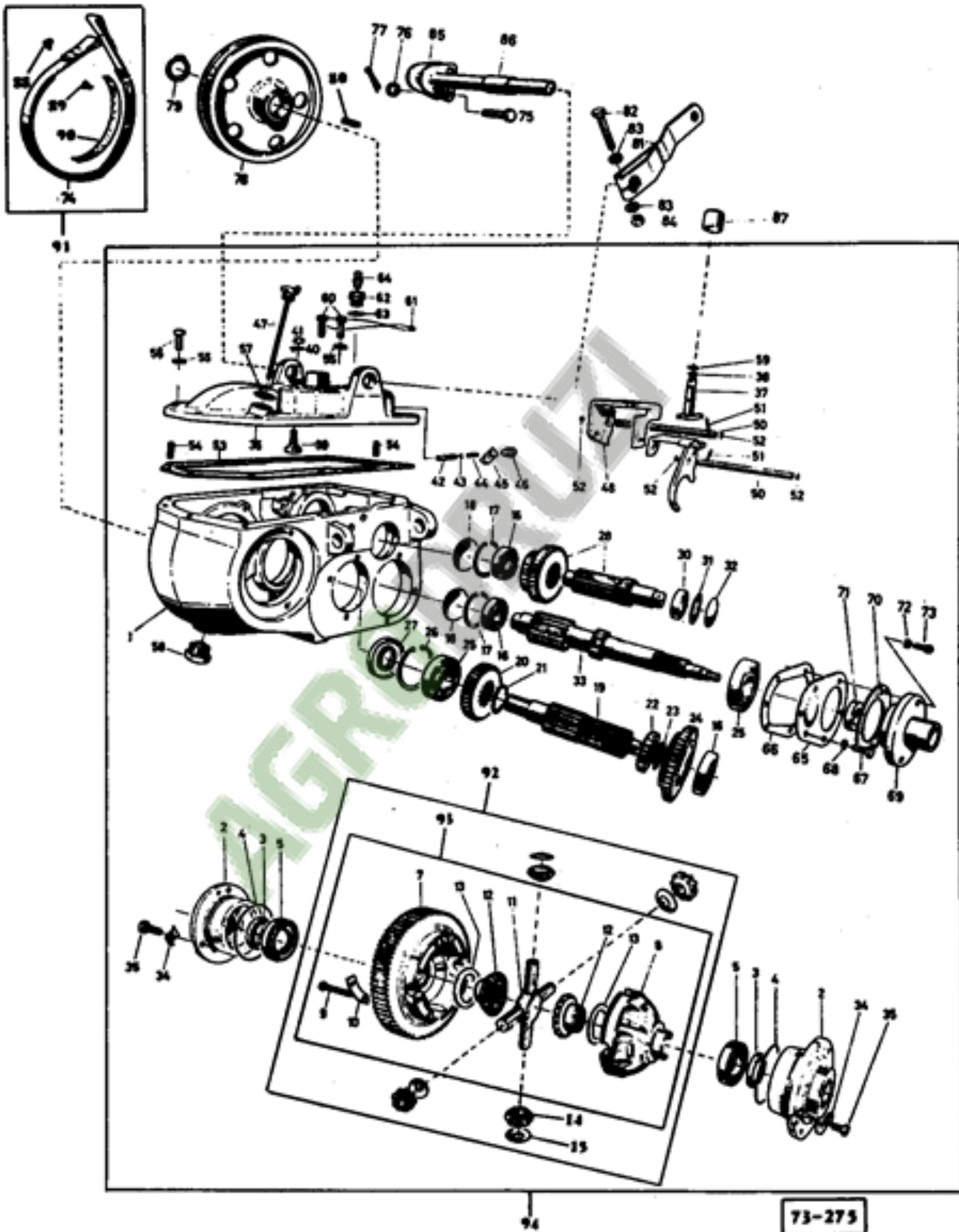


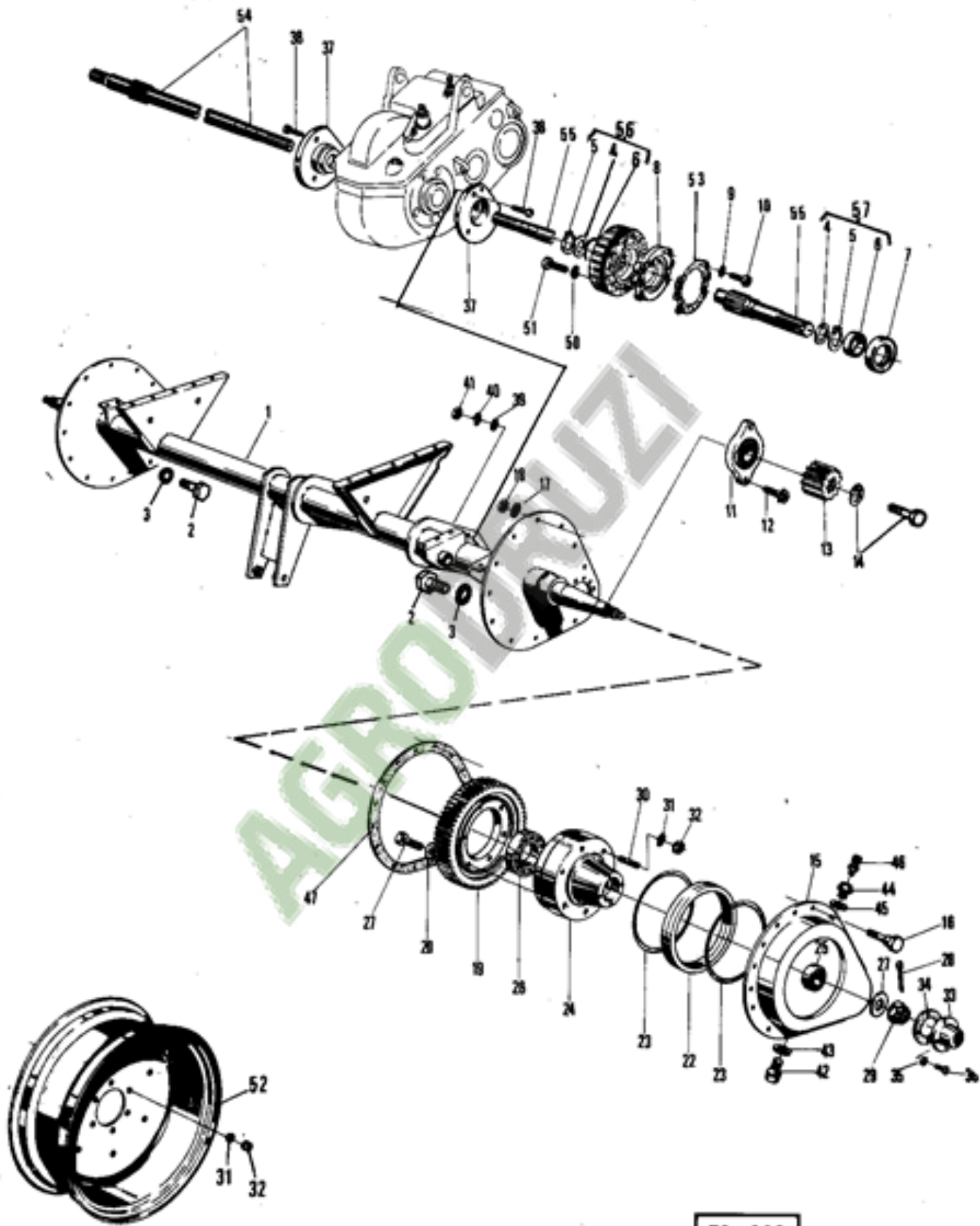


78-99

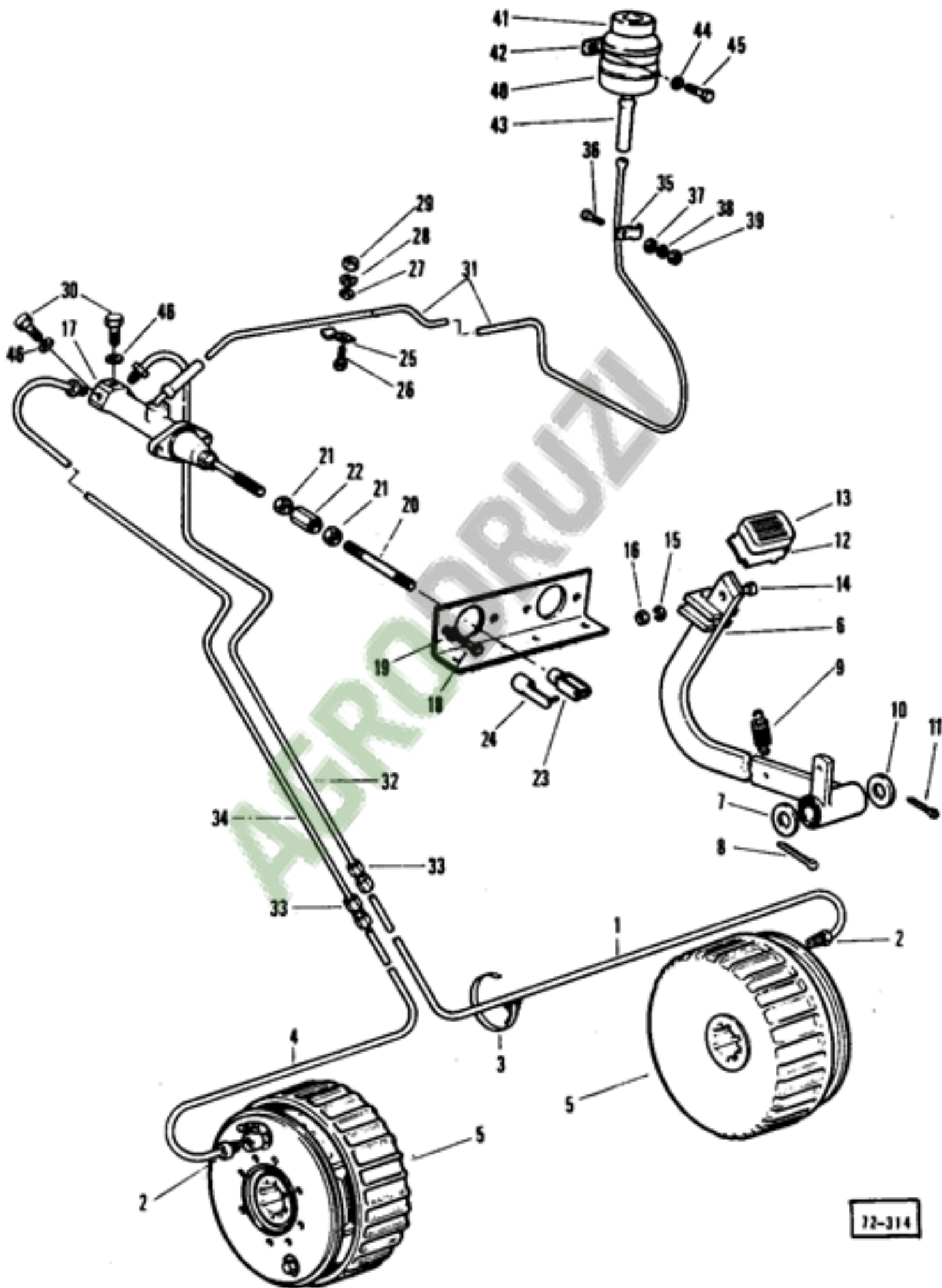




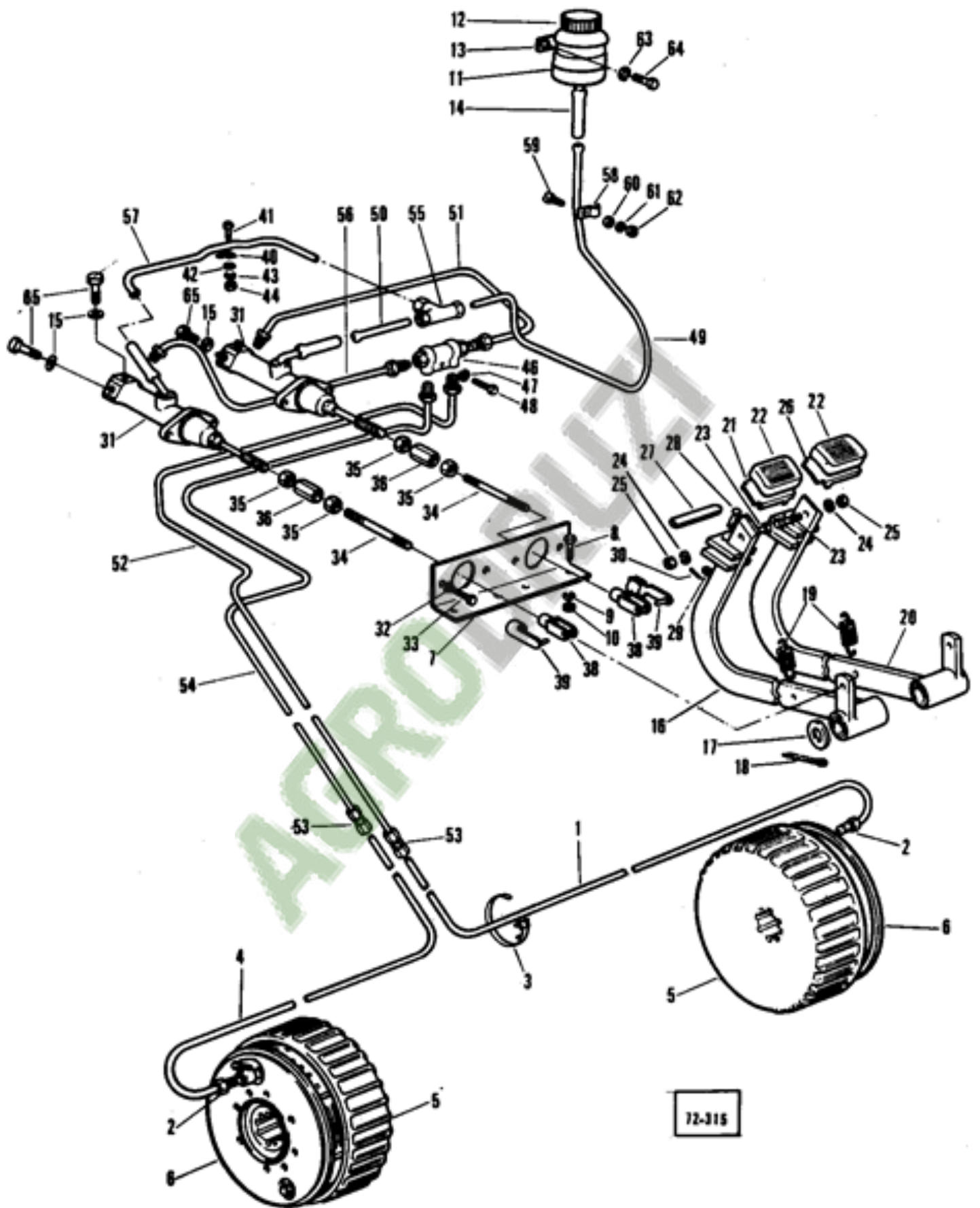




78-100

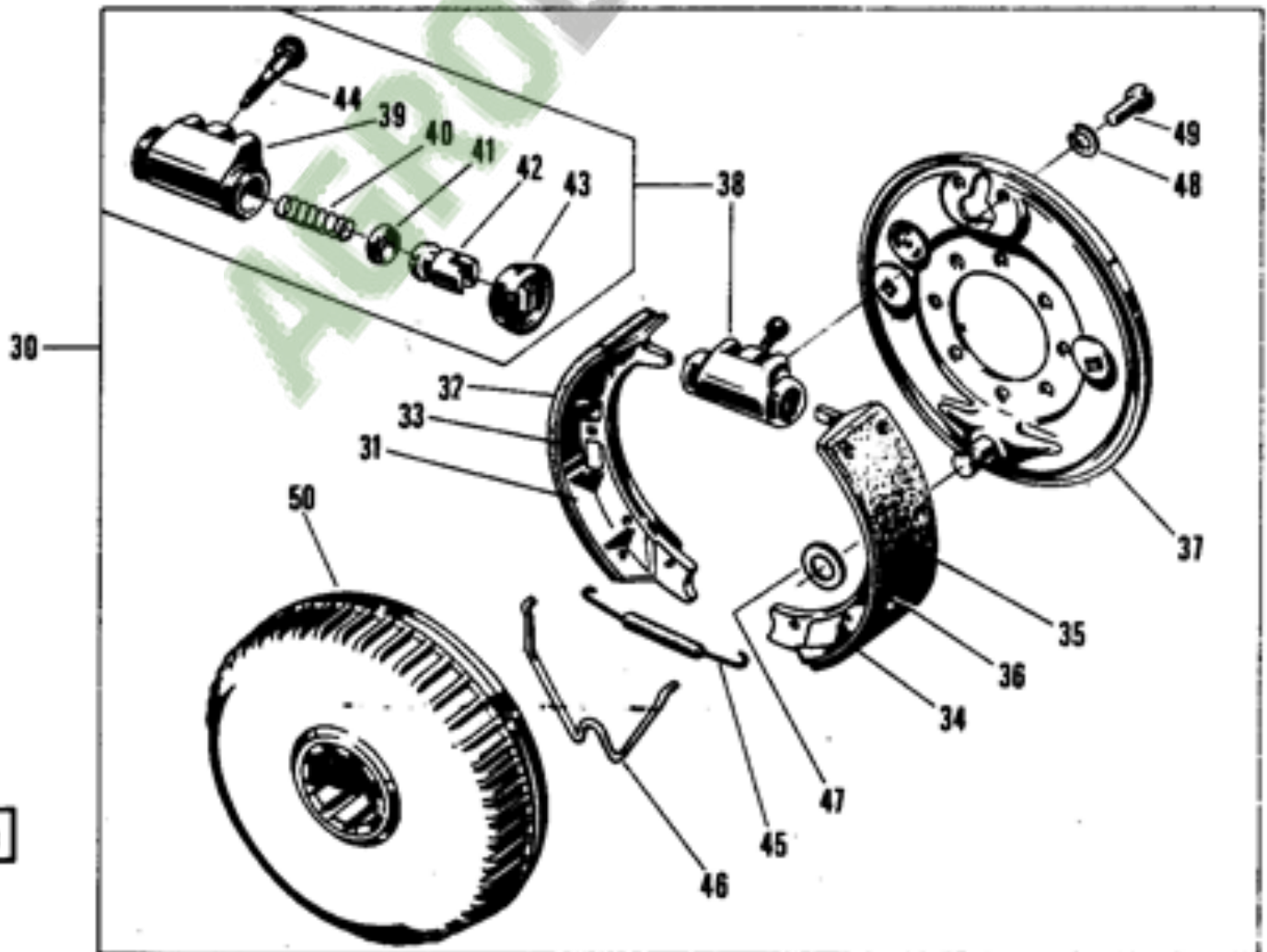
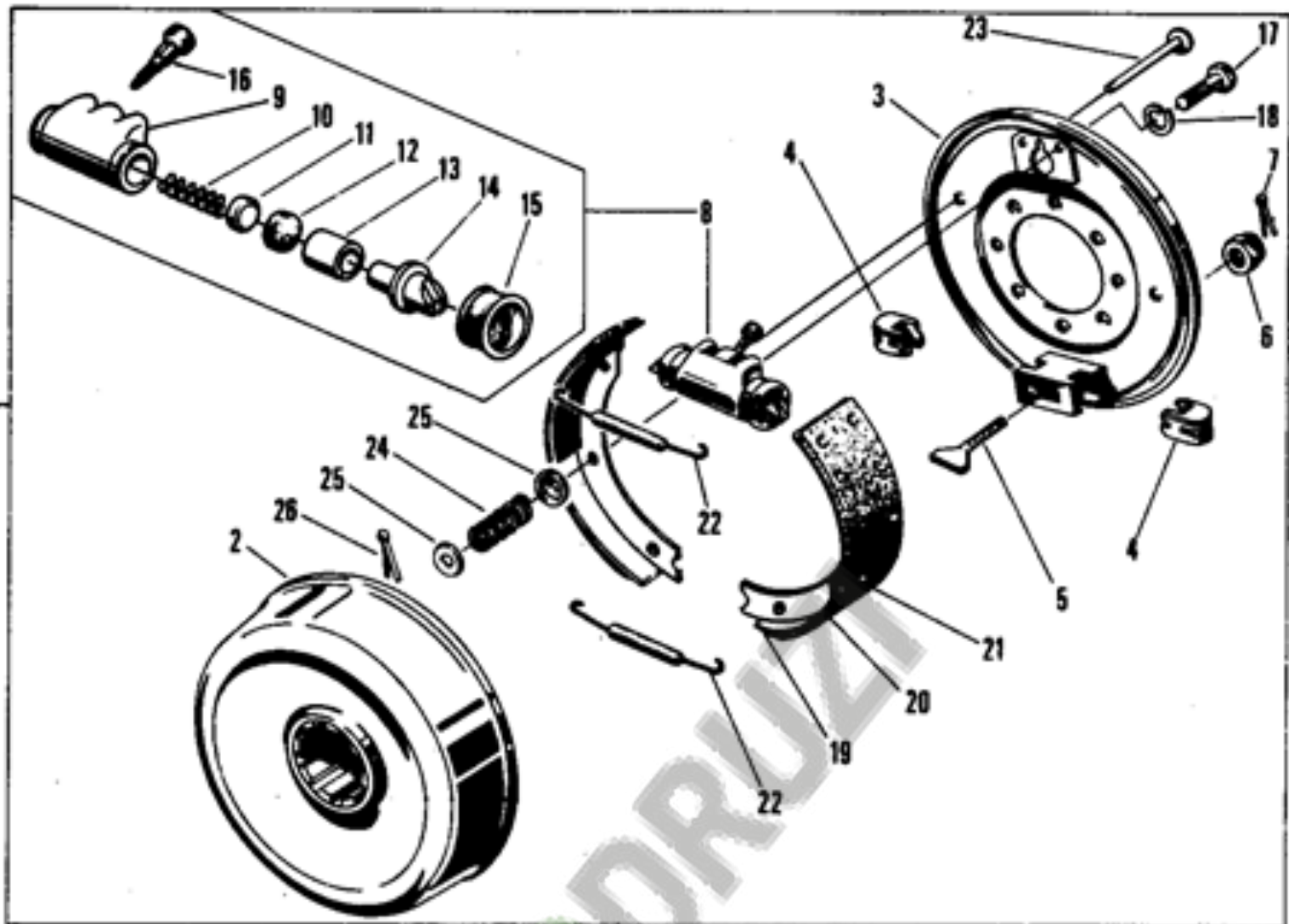


72-314

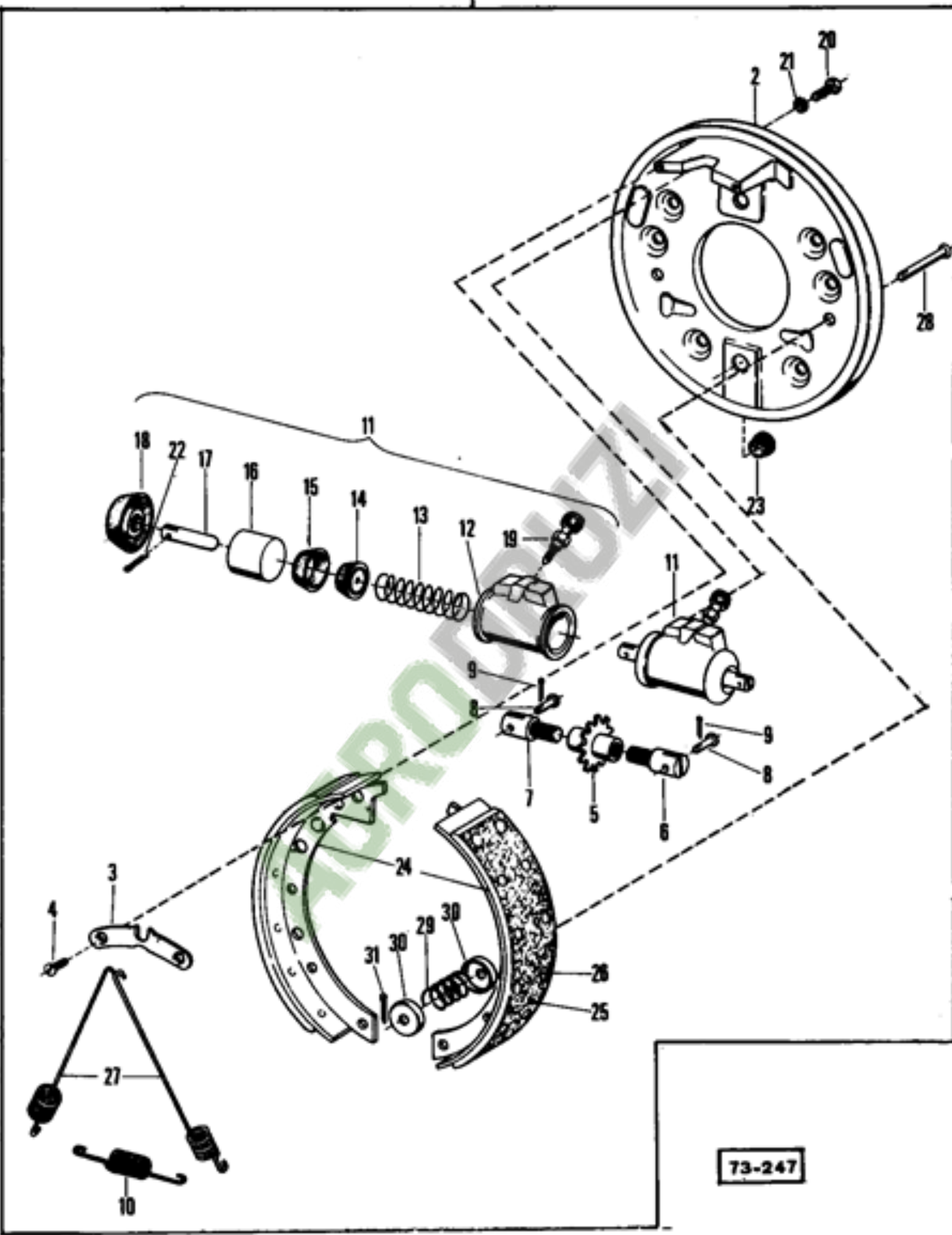


72-315

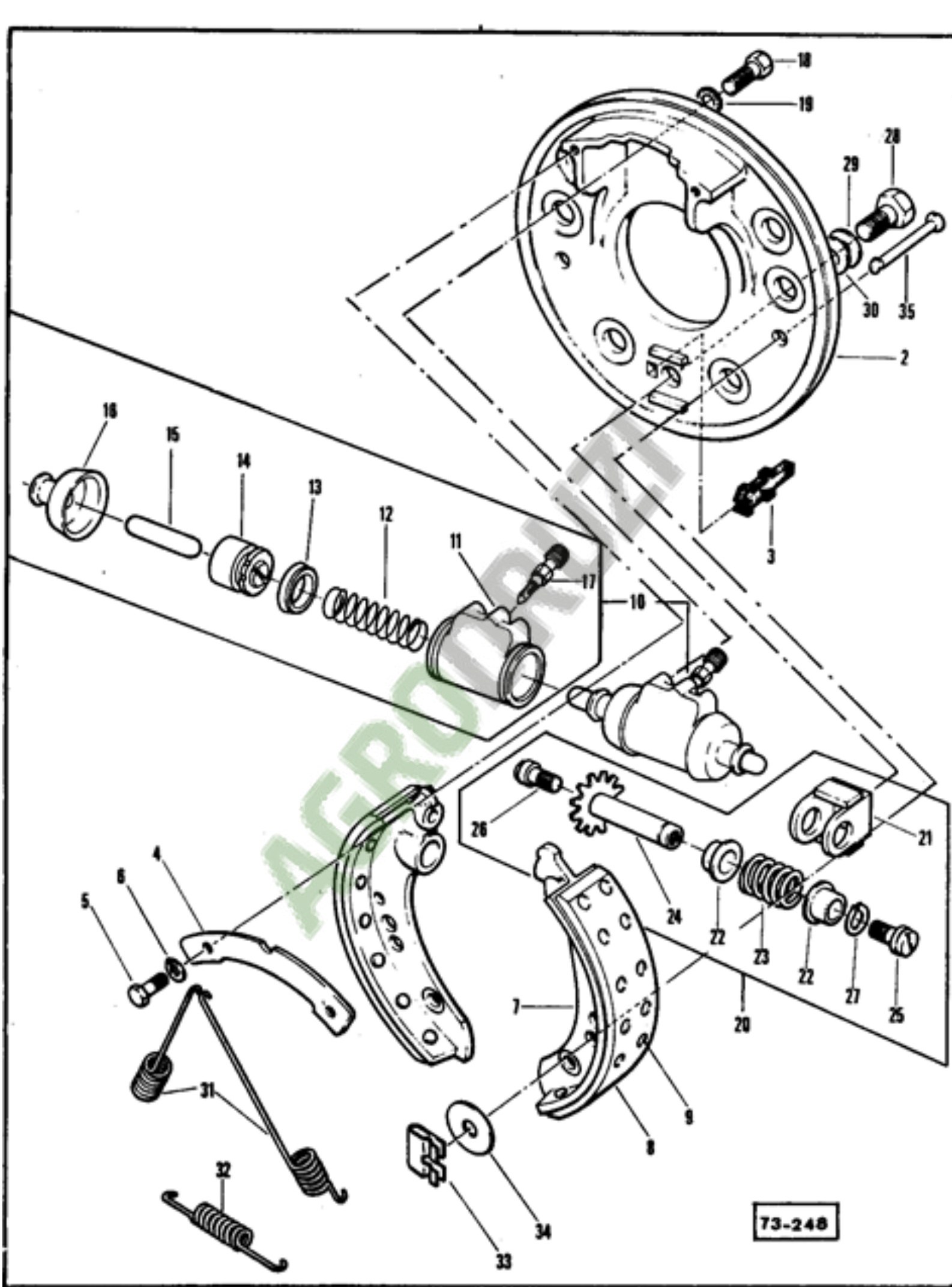




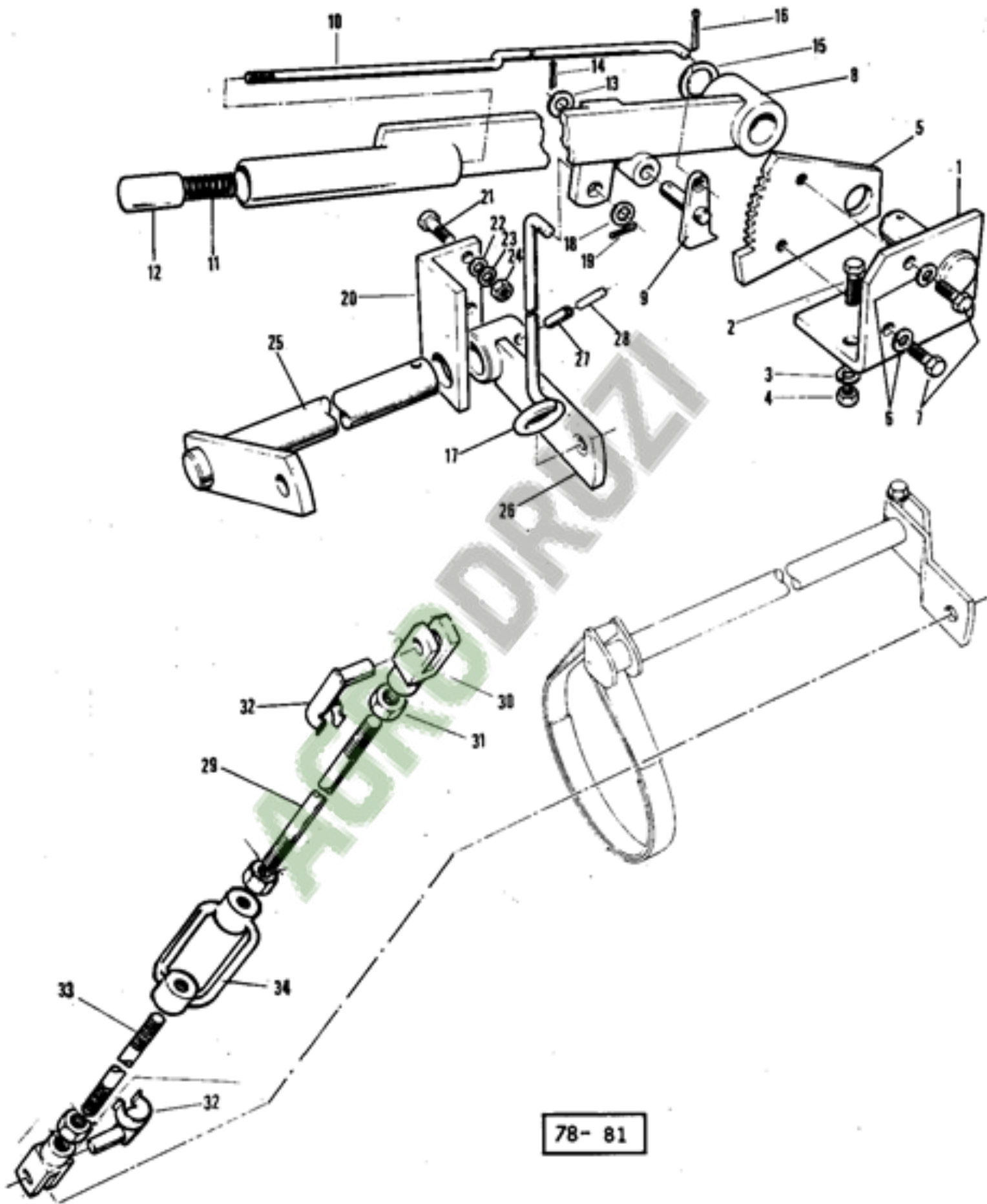
72-318



73-247

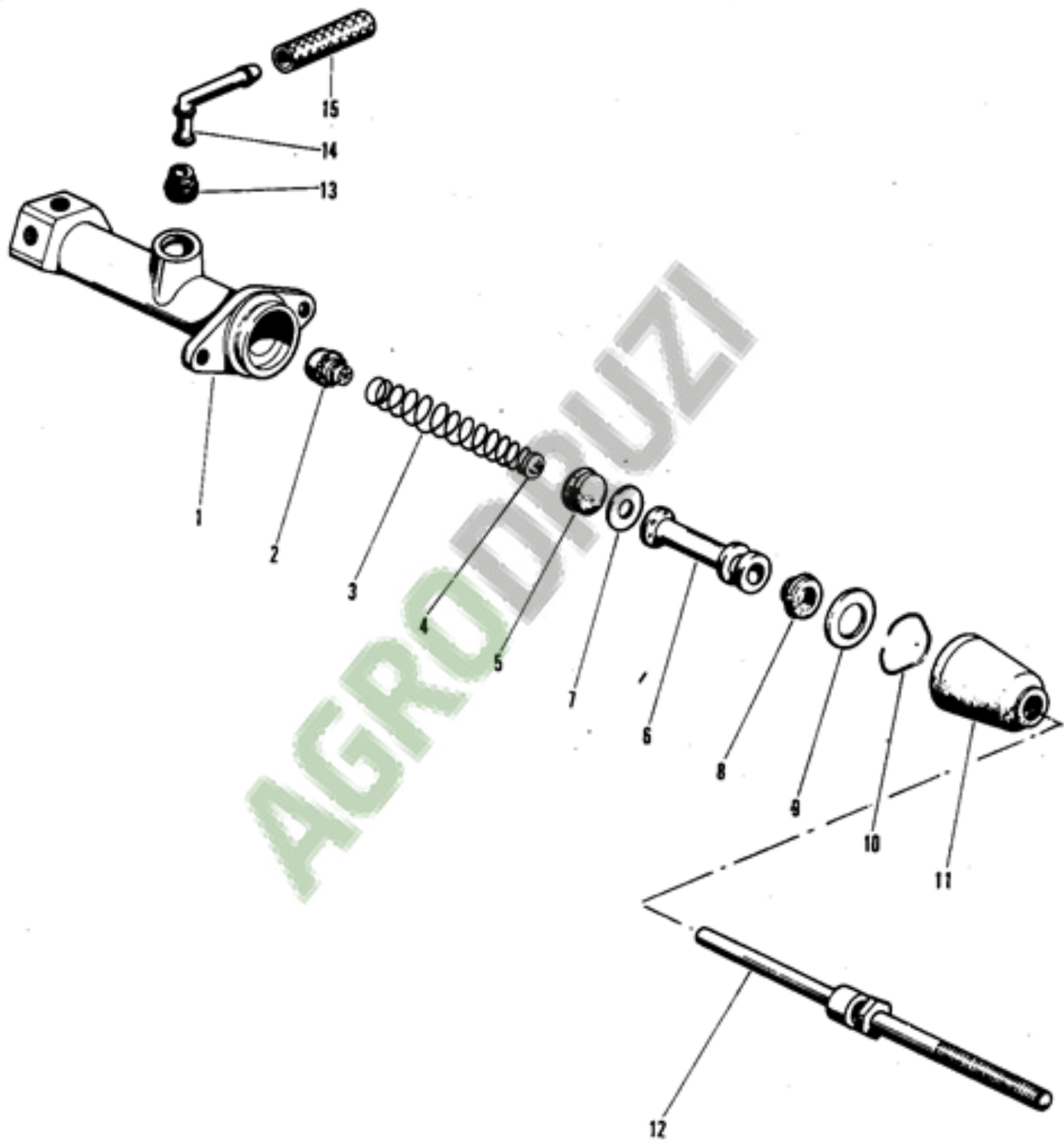


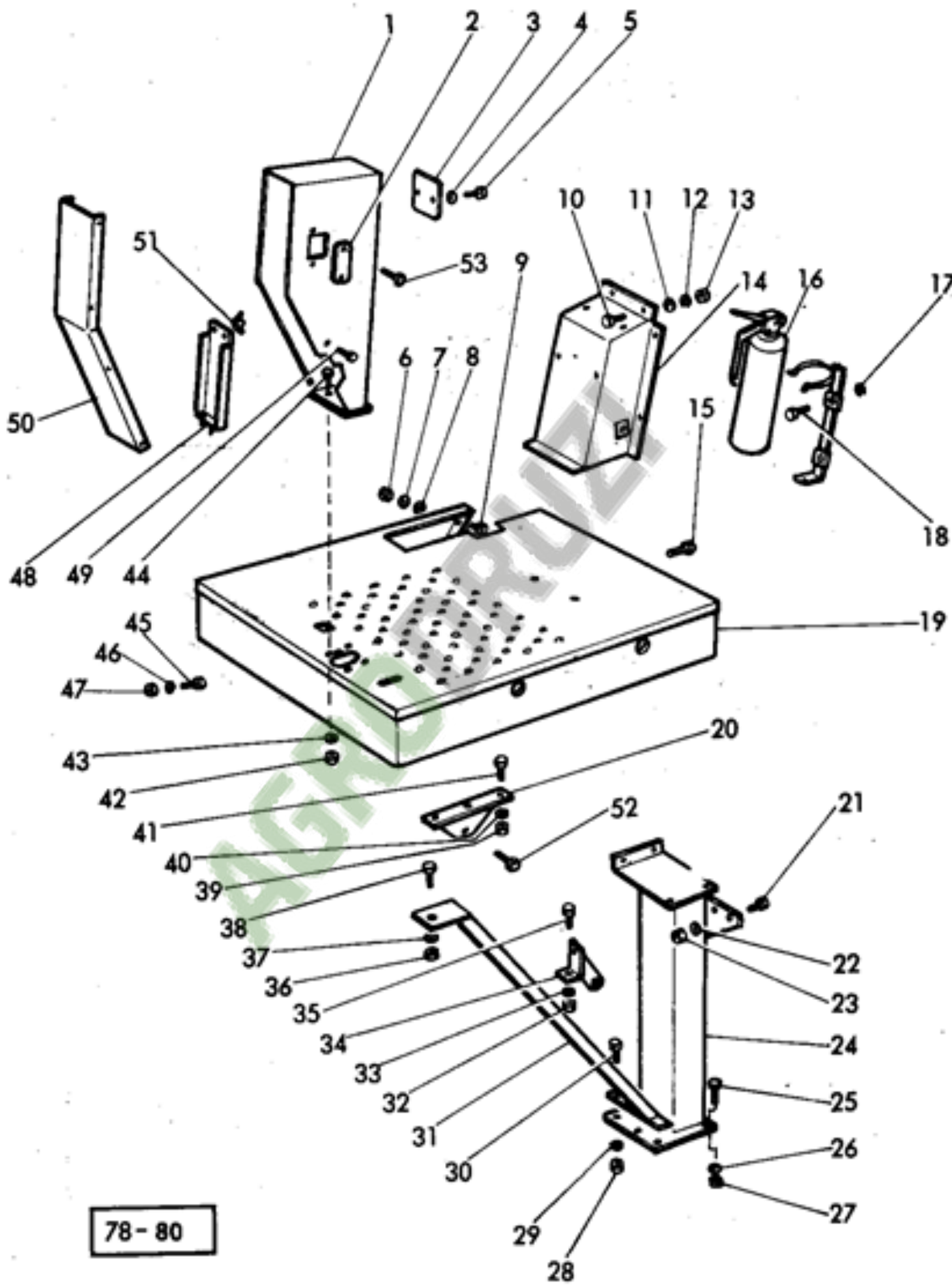
73-248



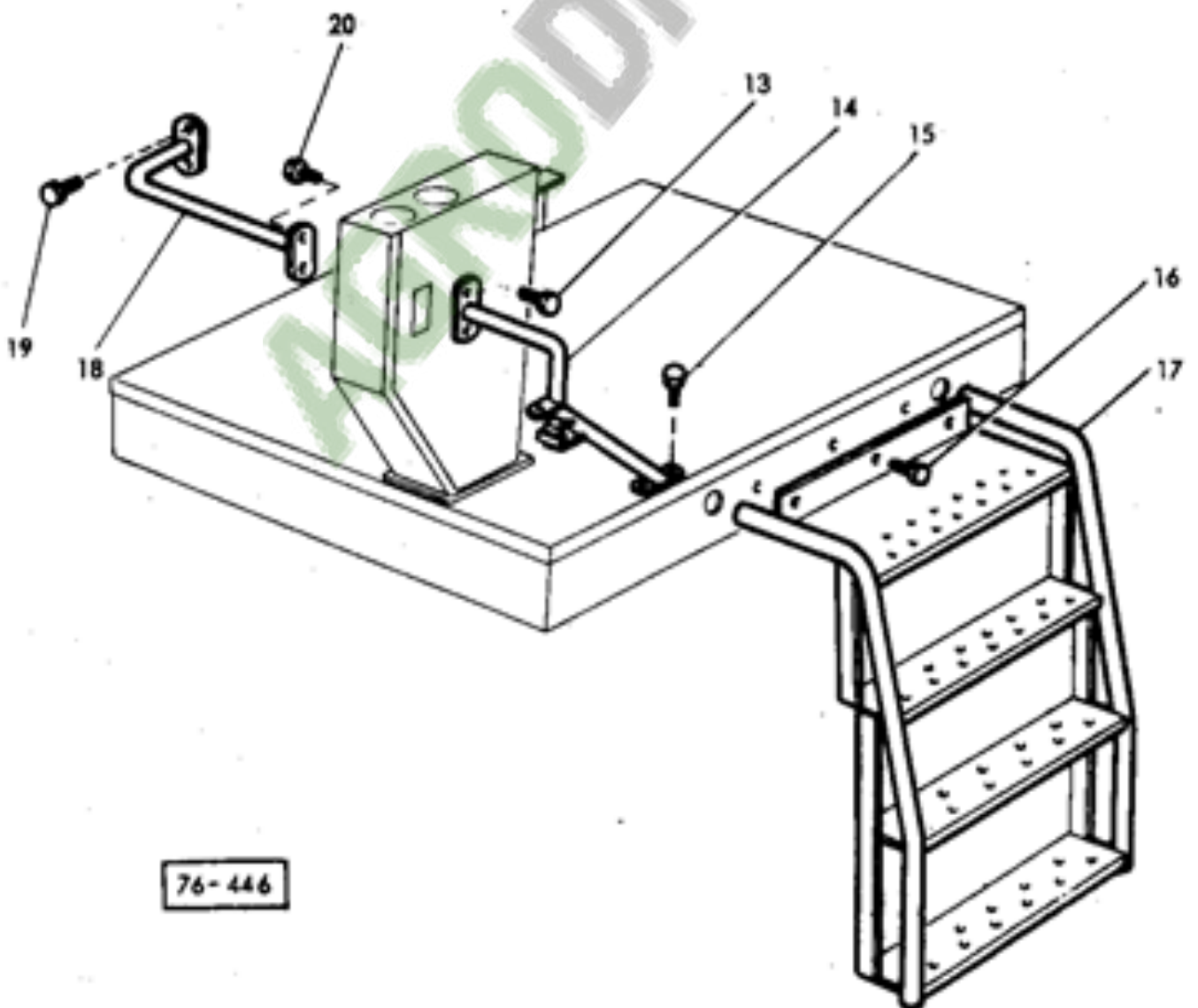
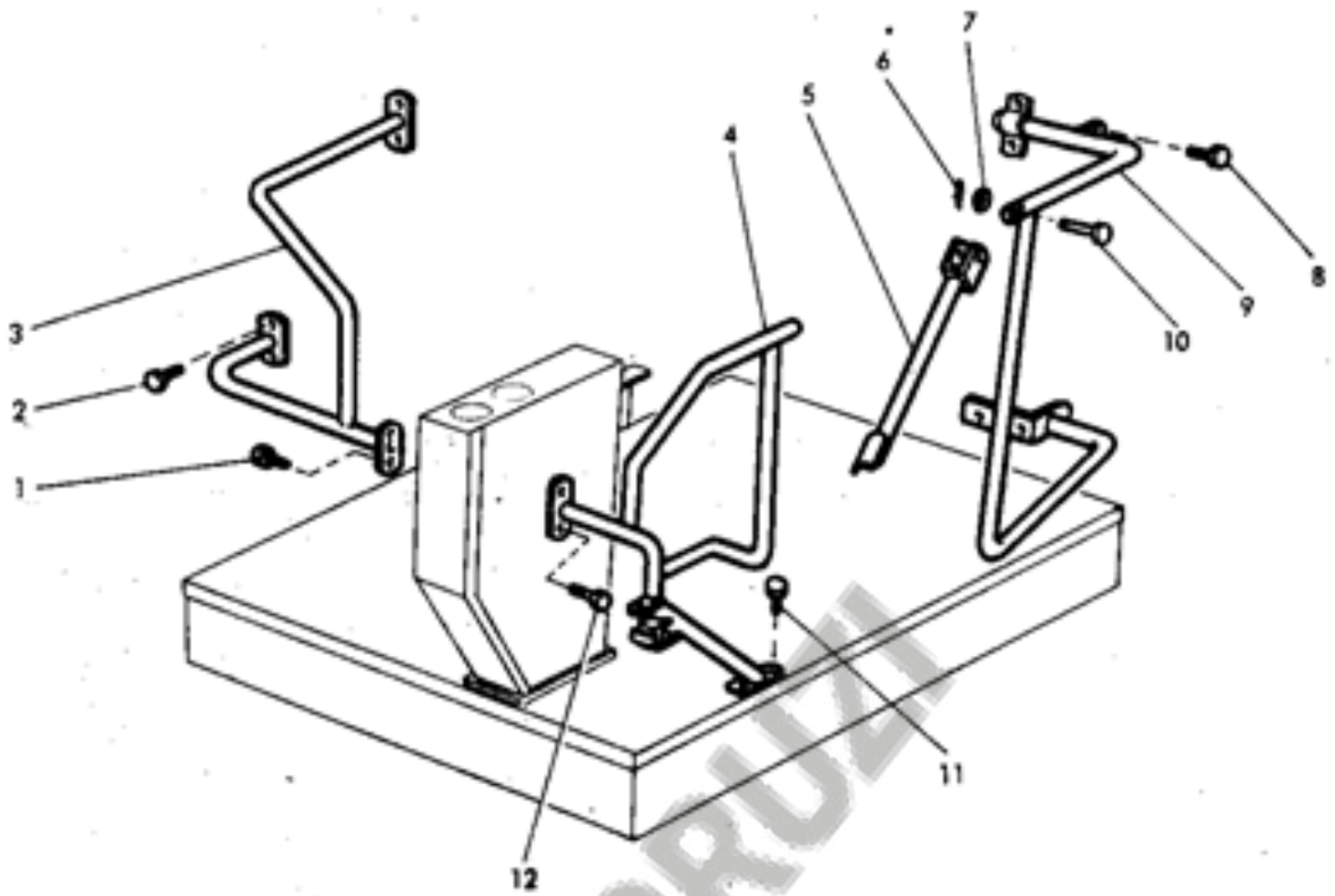
78- 81



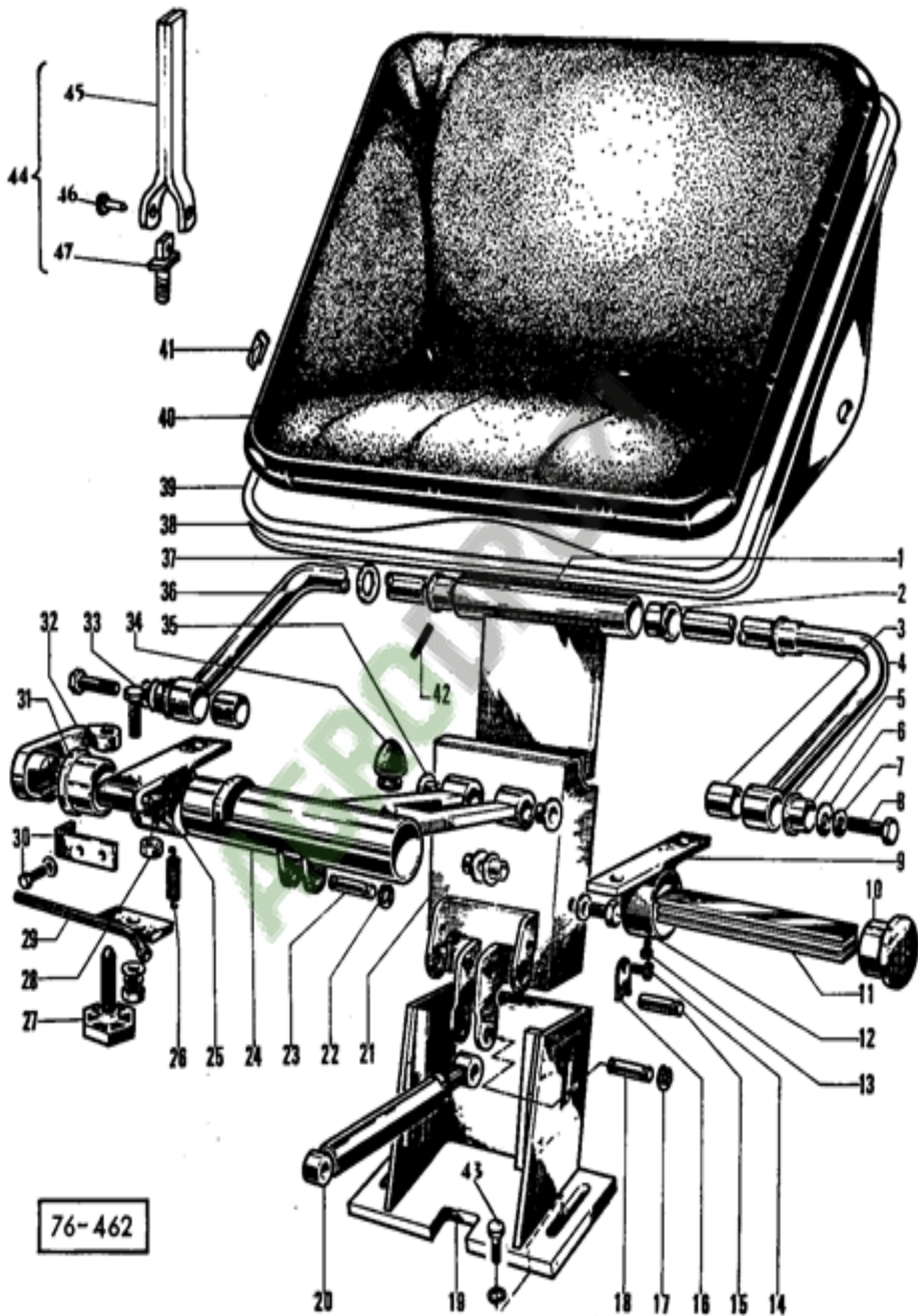




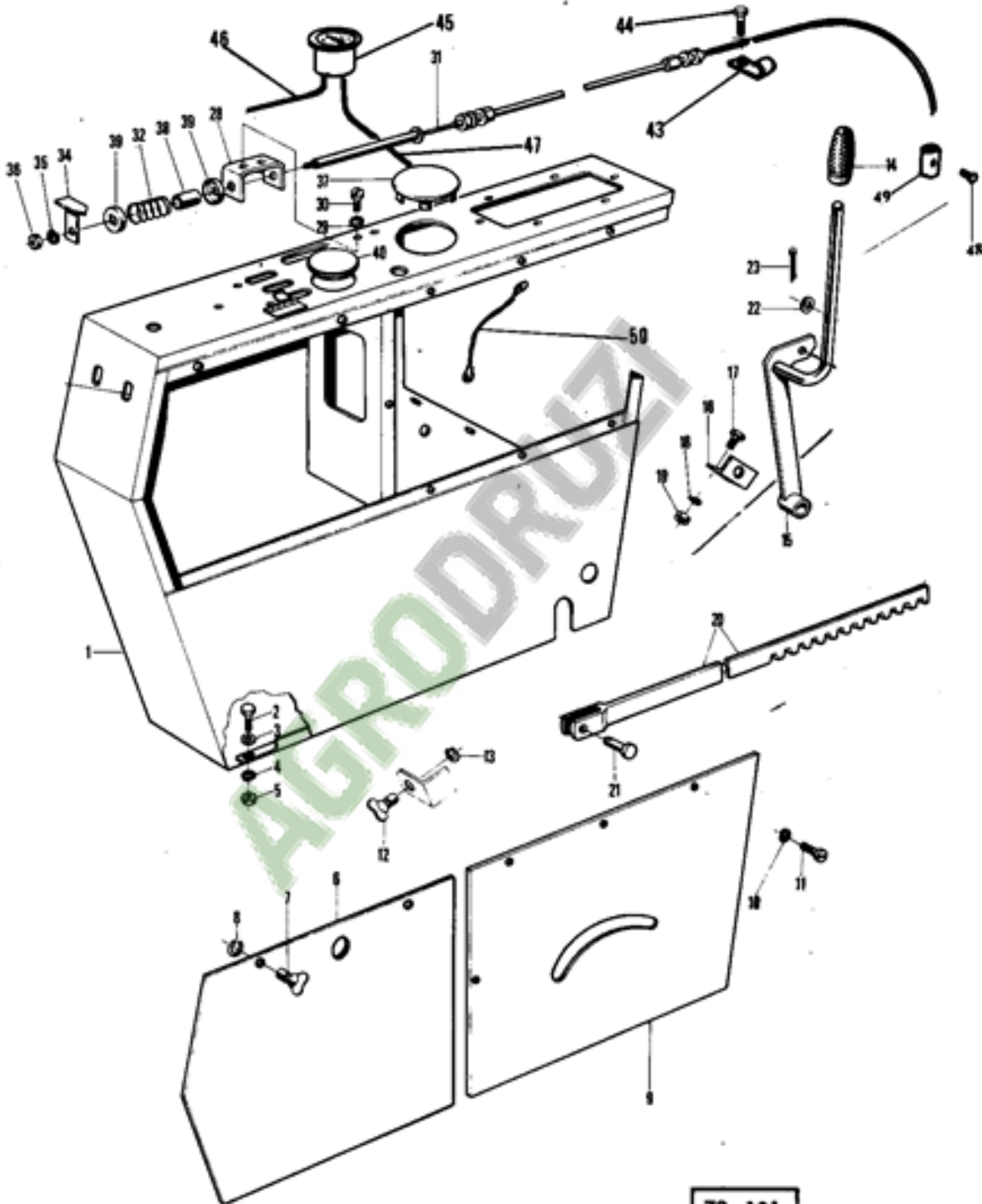
78-80



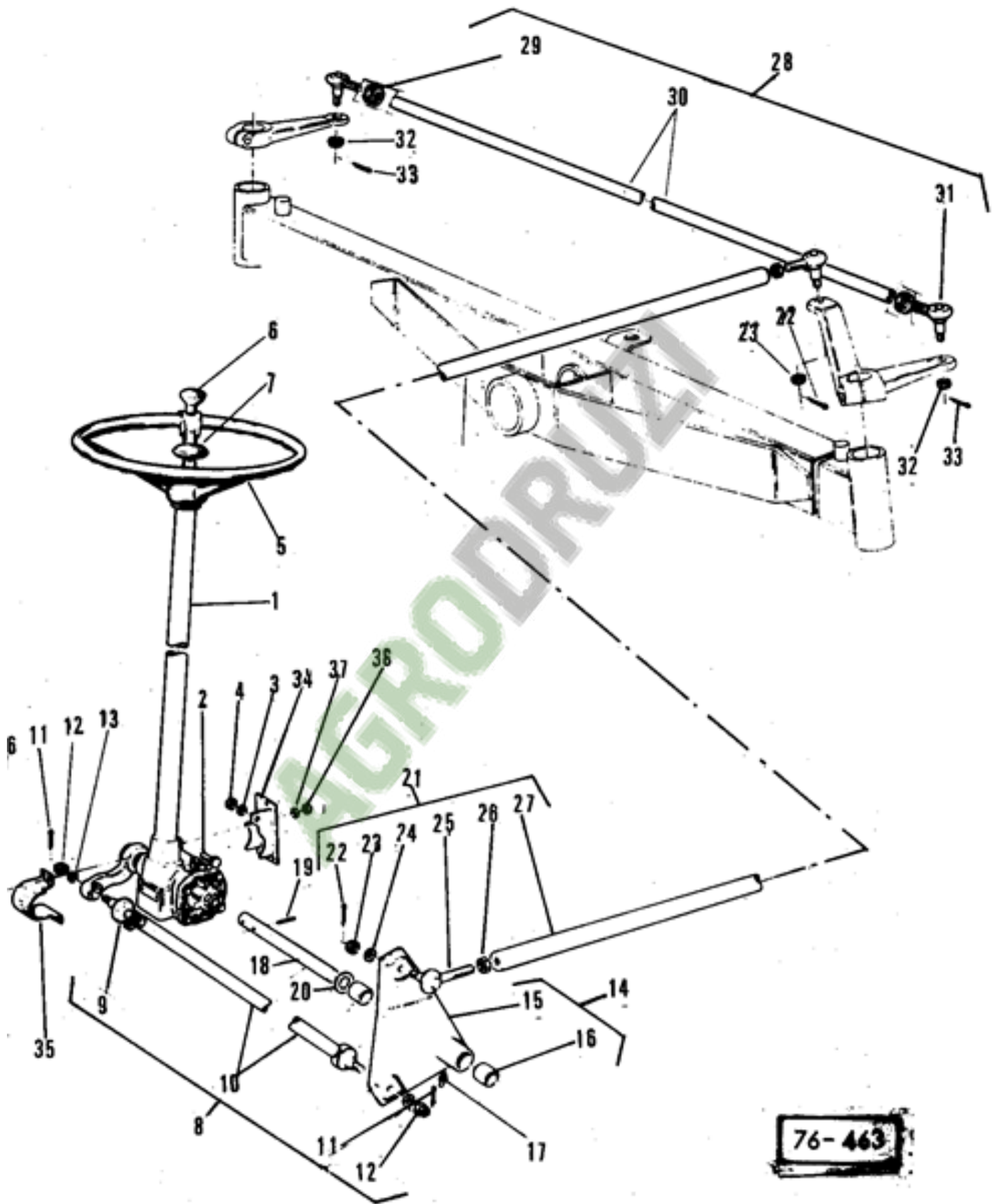
76-446

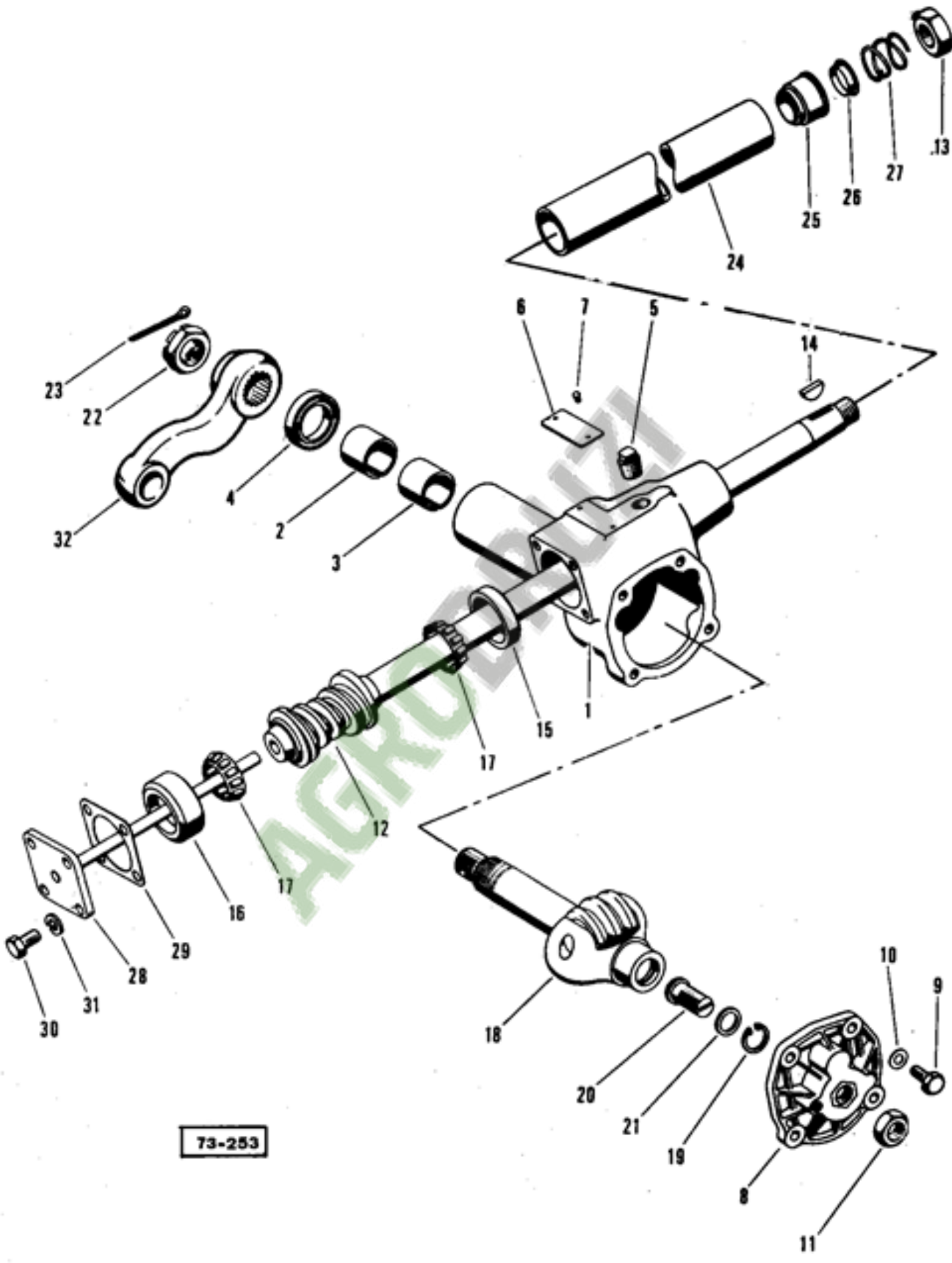


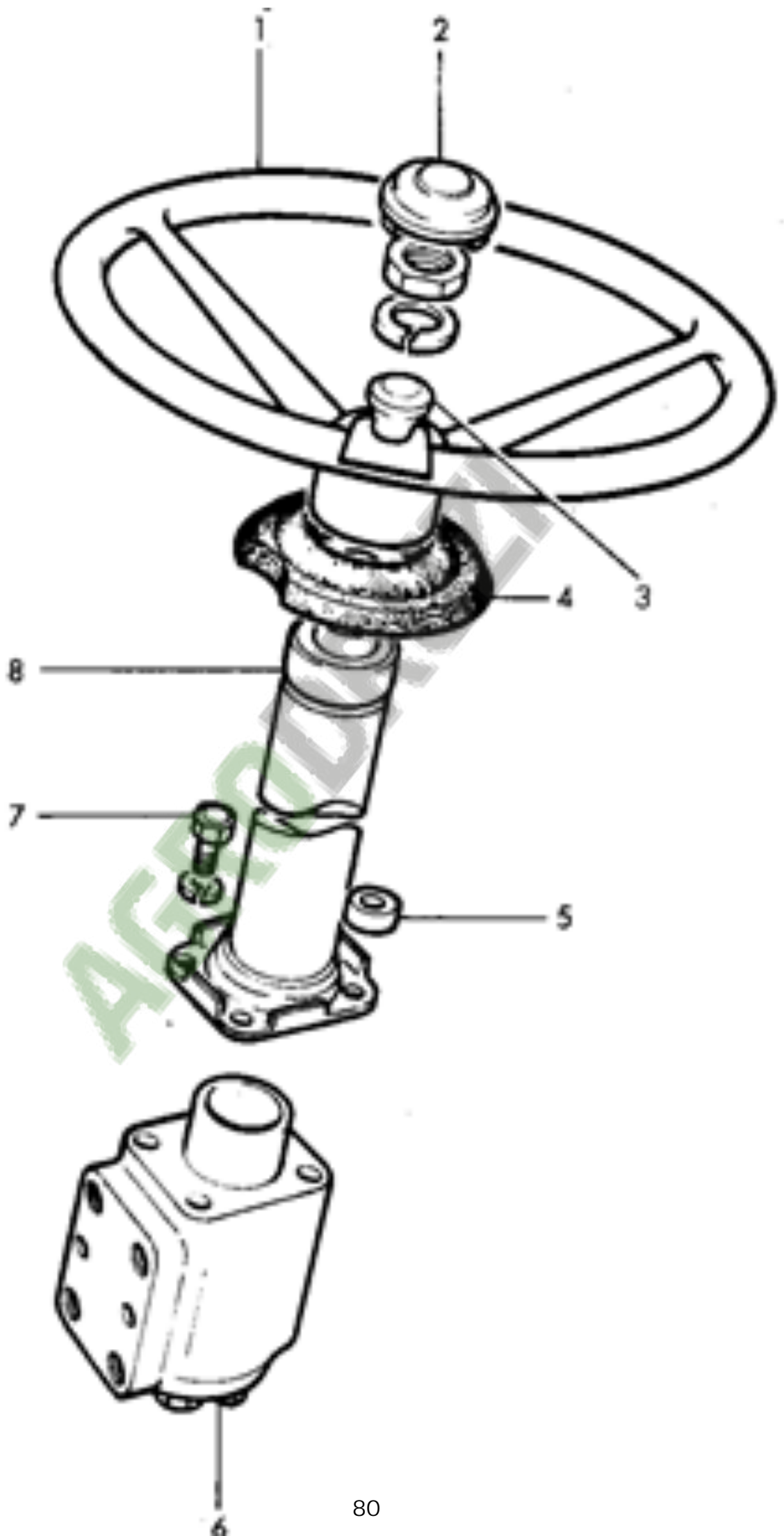




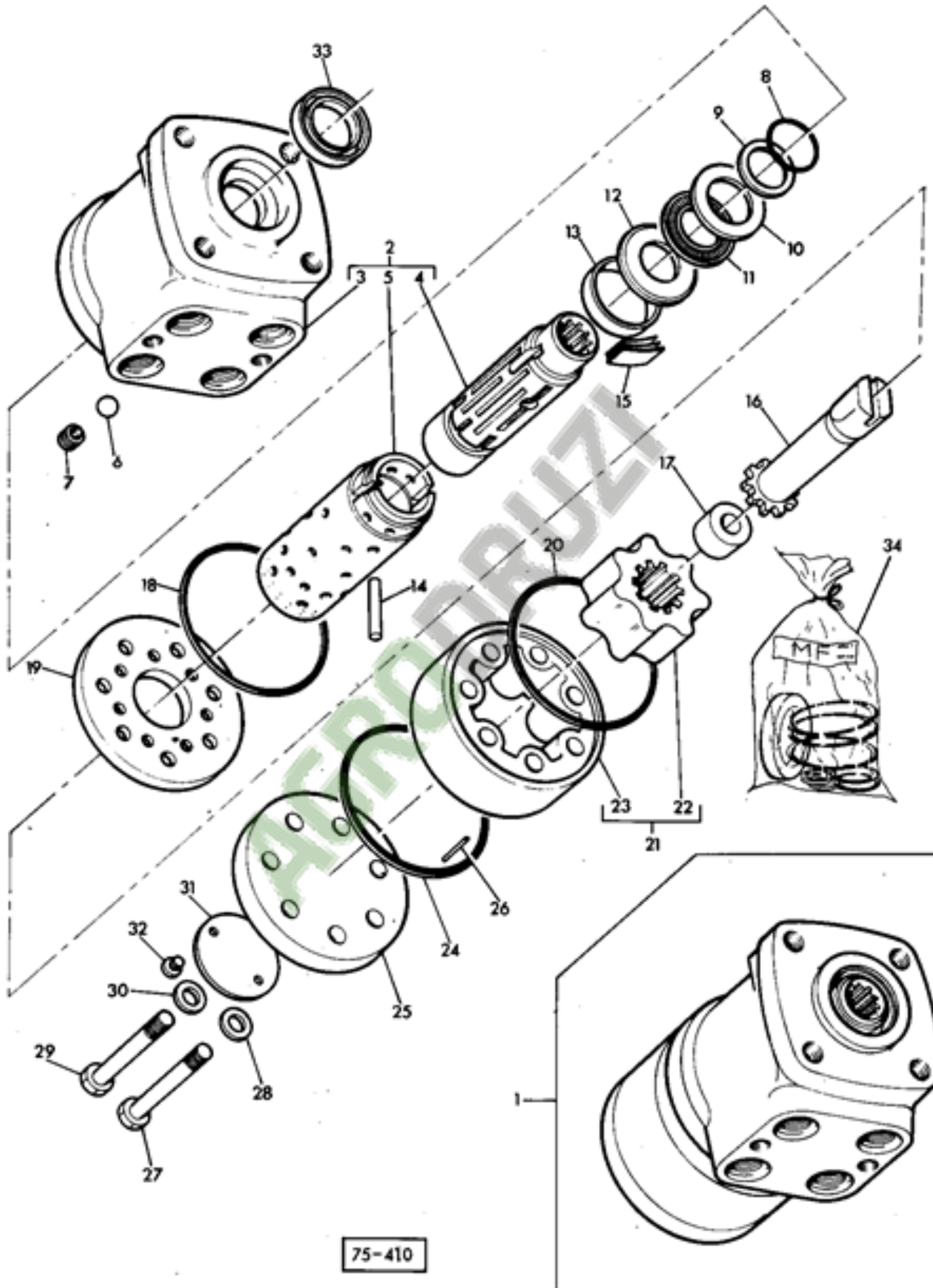
78-101

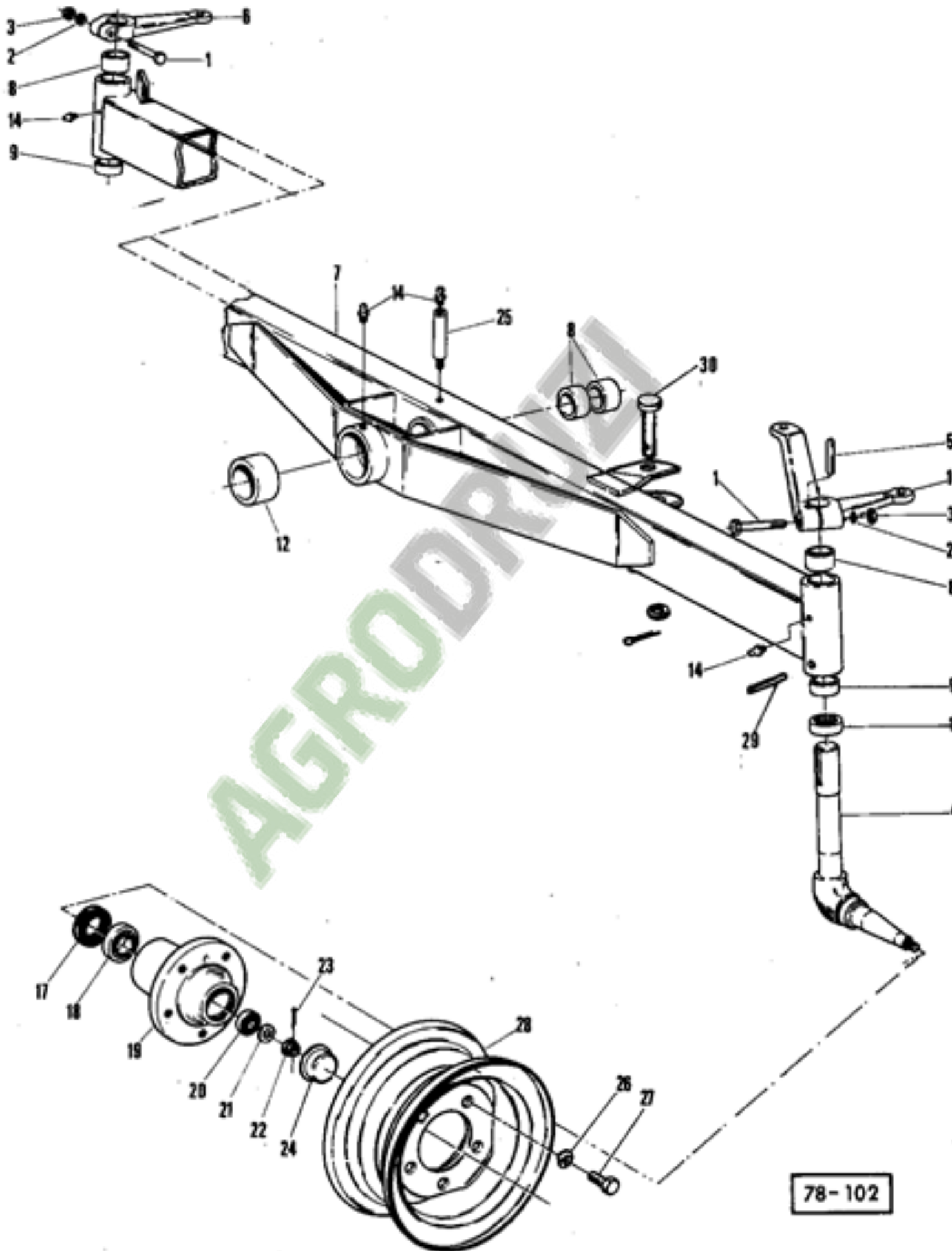




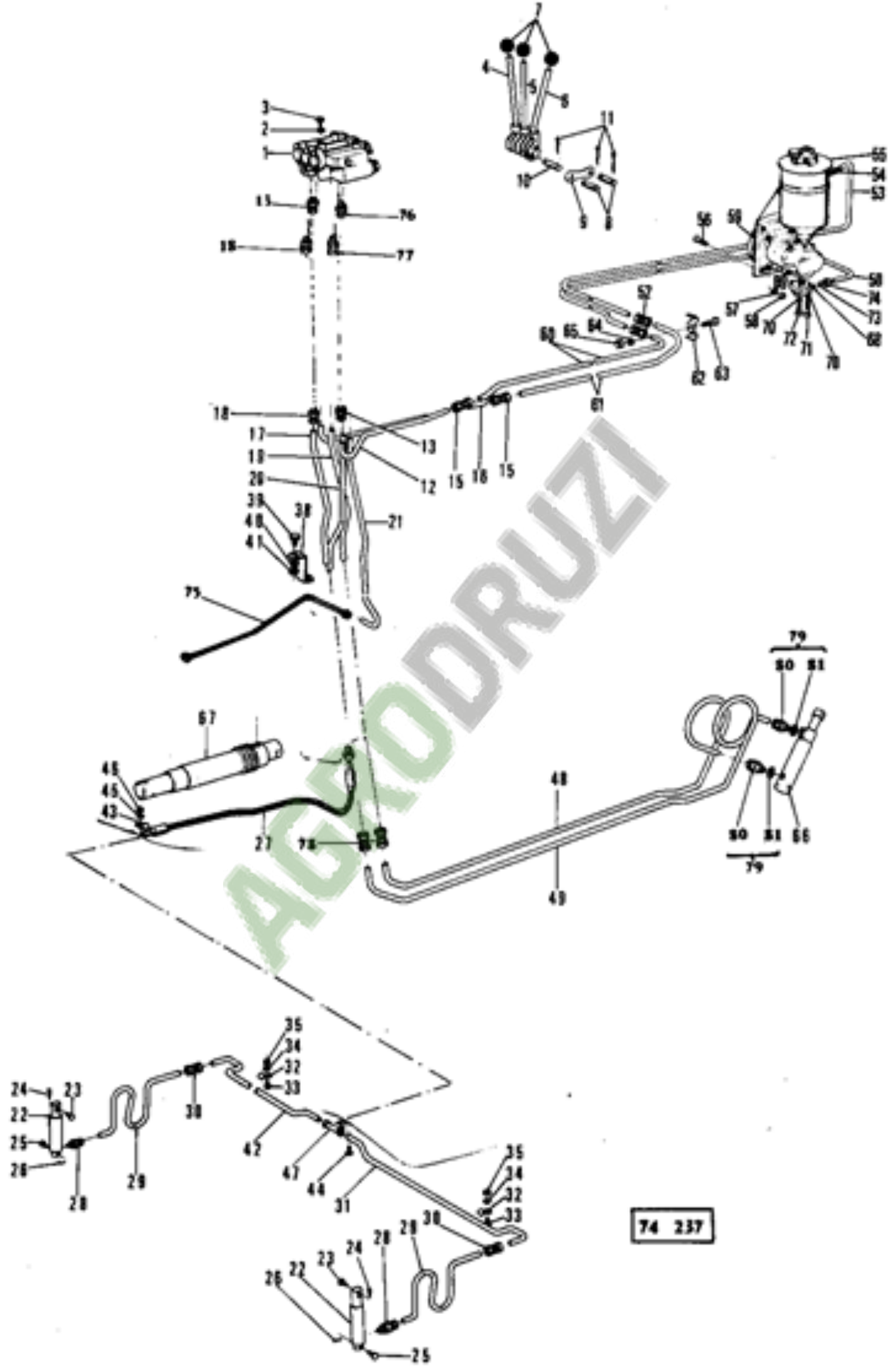




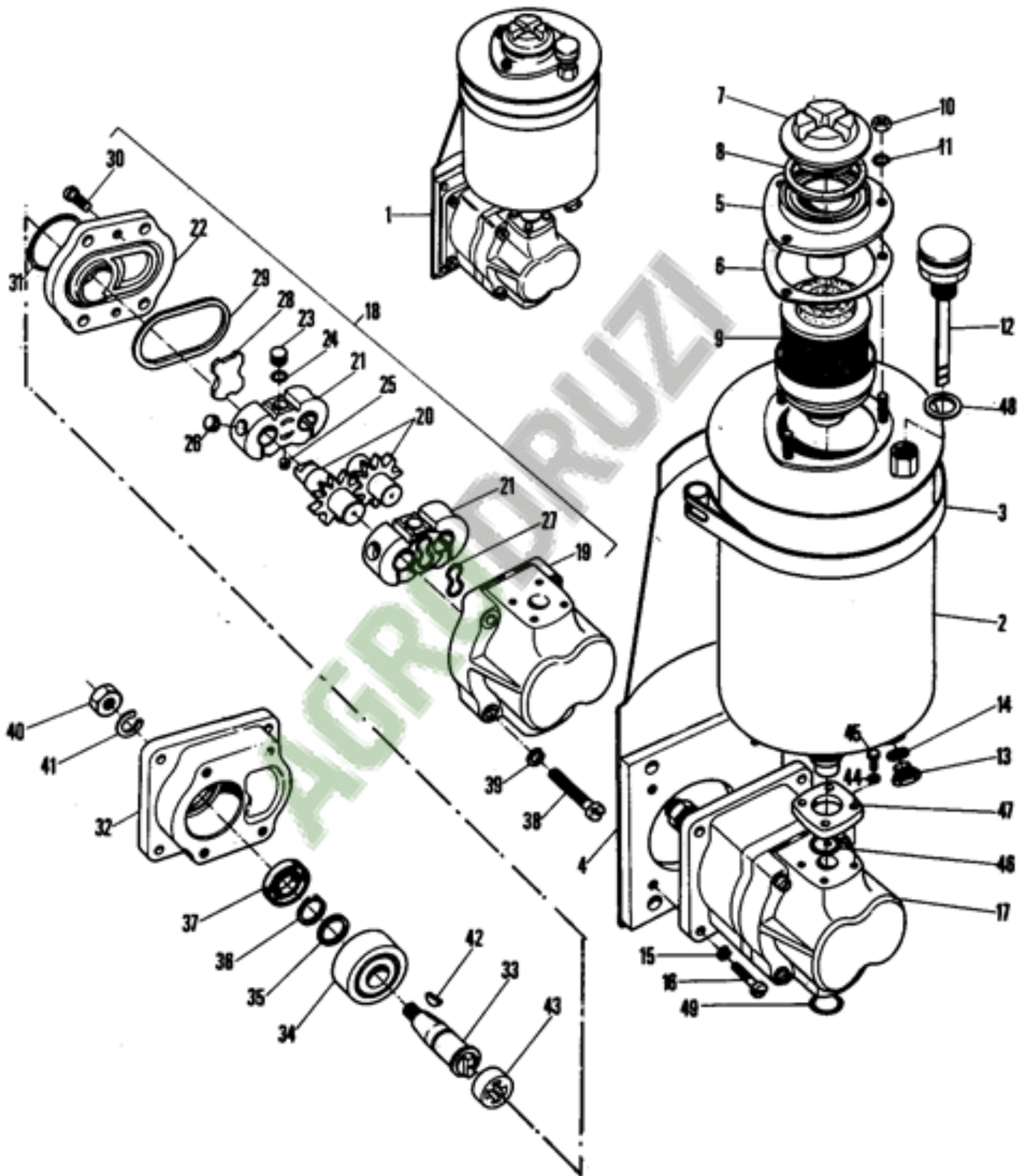




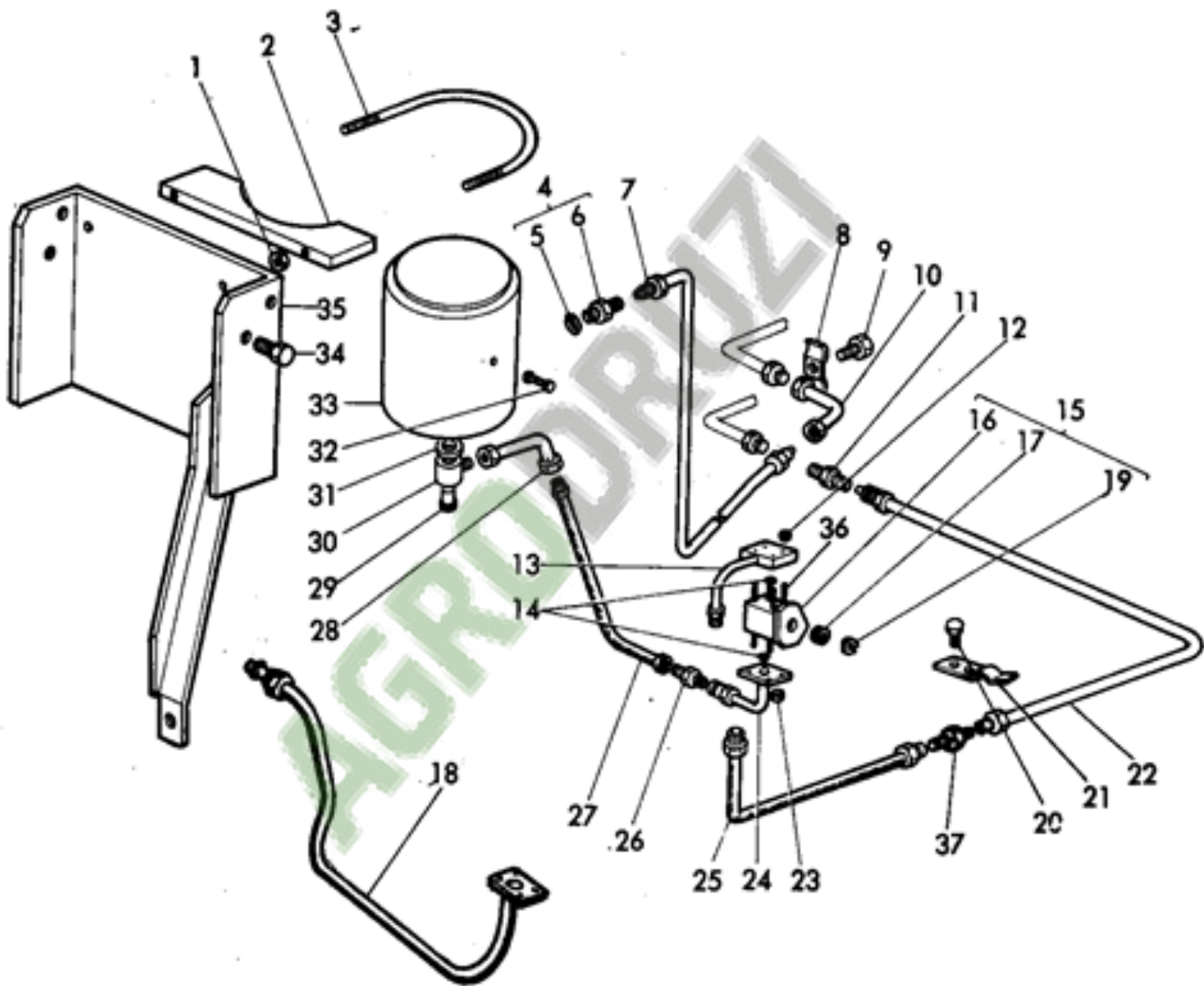
78-102



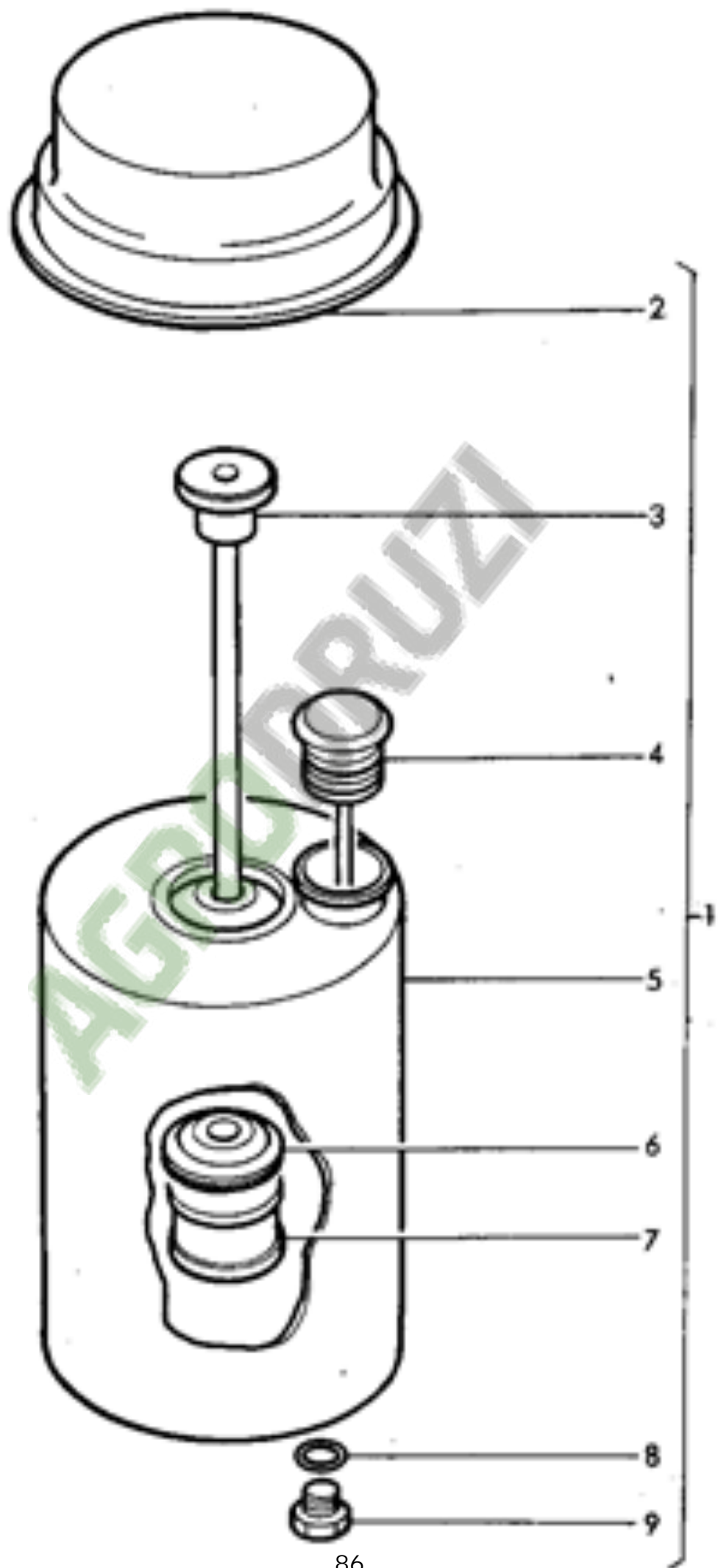
74 237

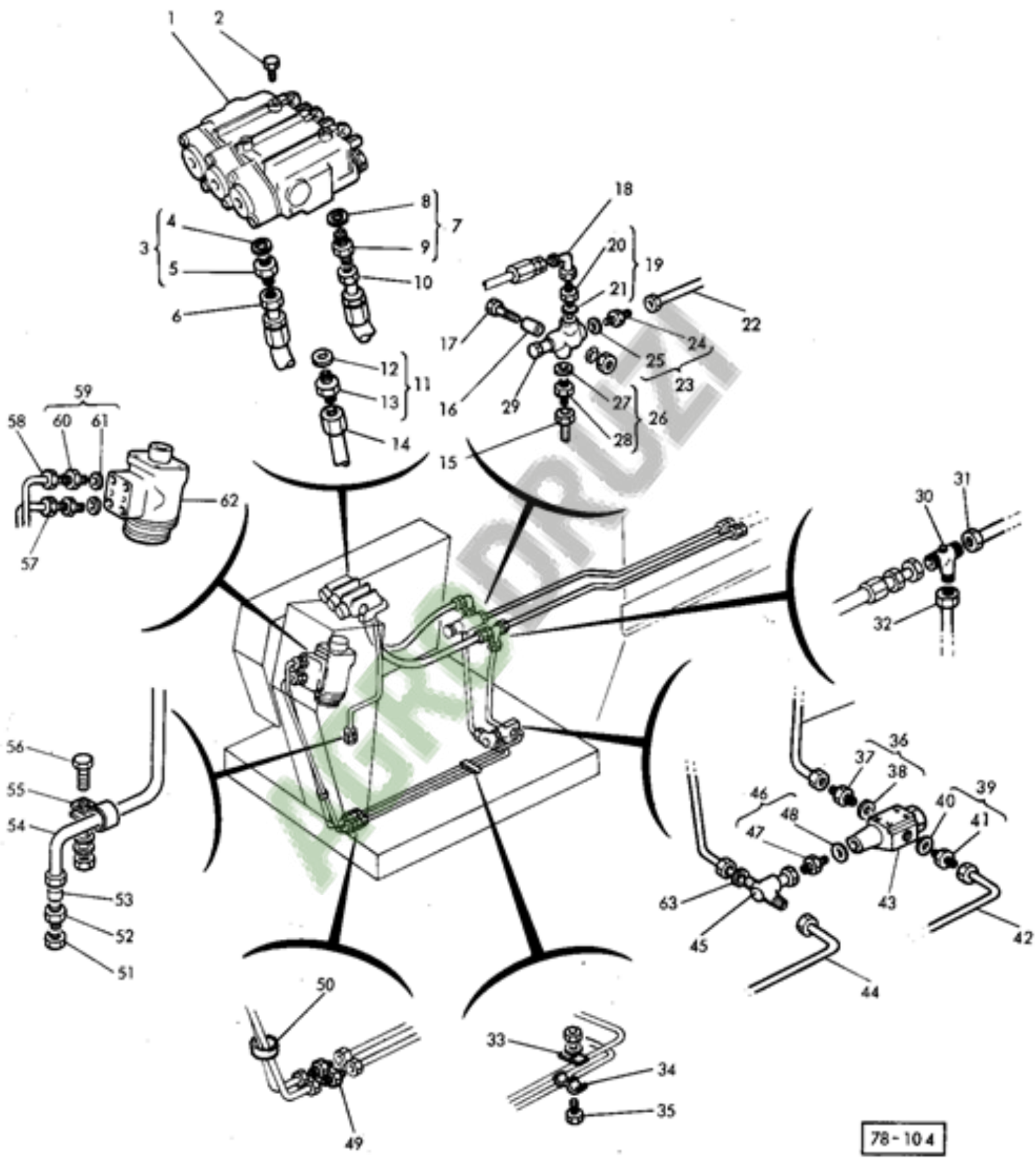




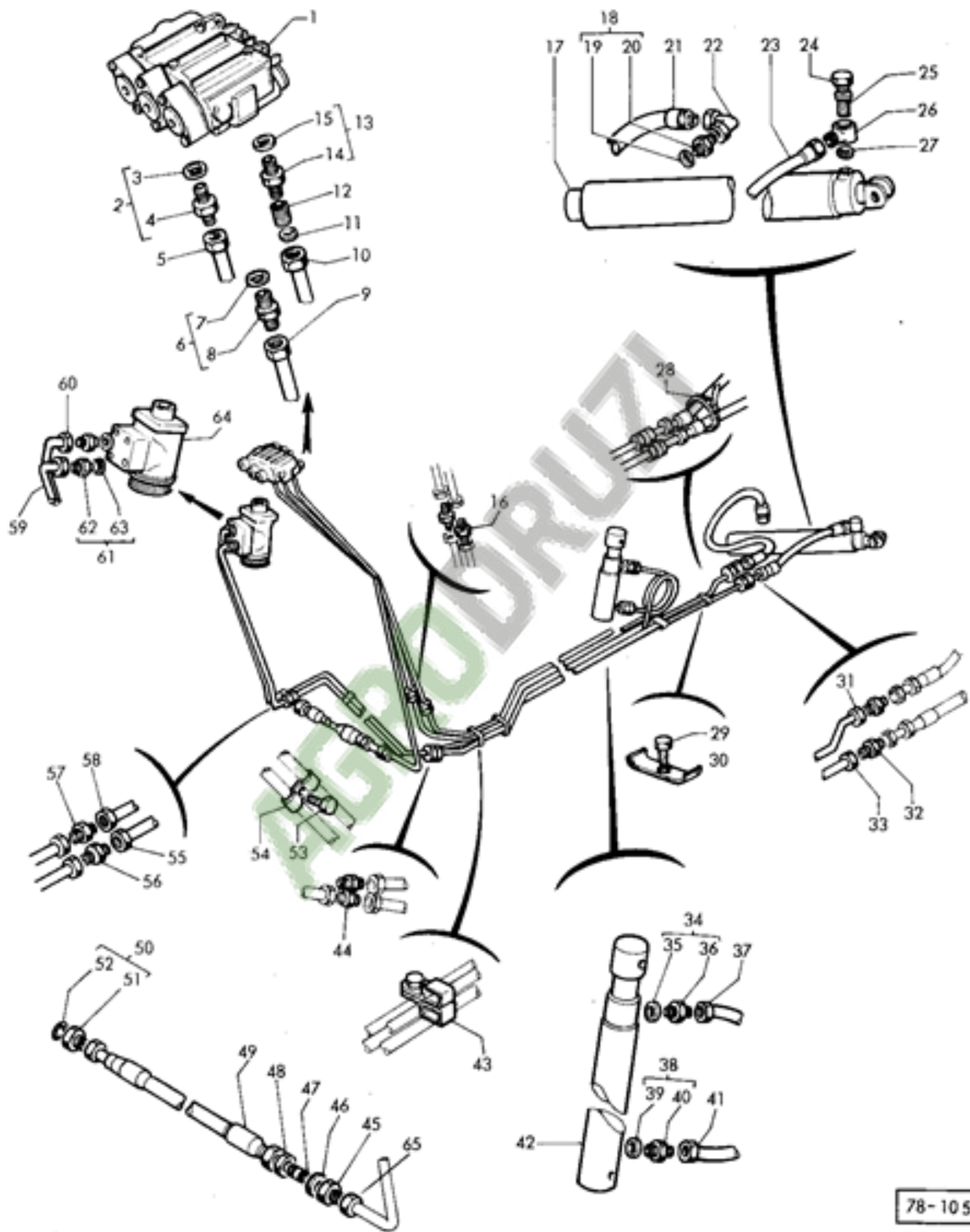


78-103



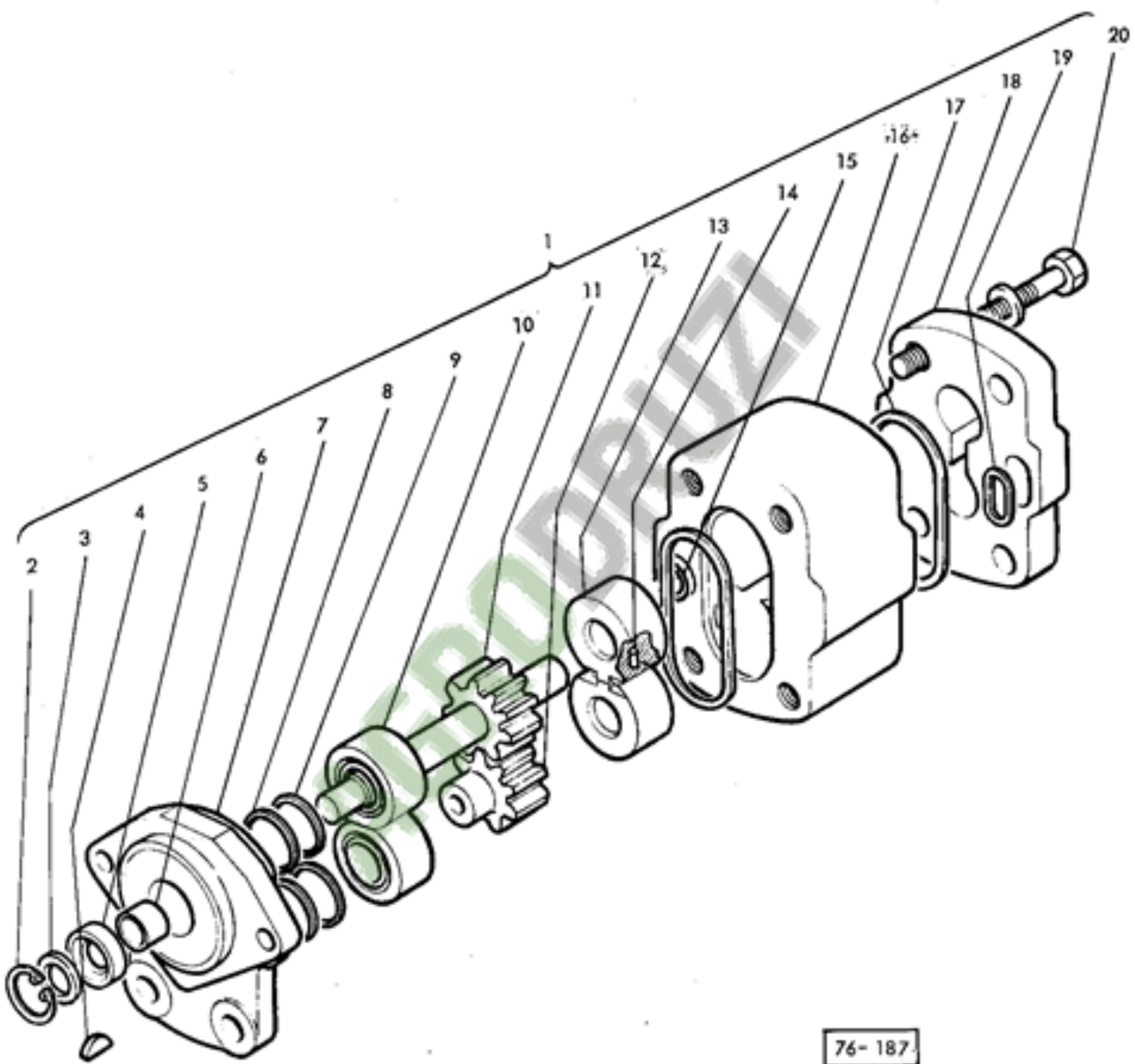


78-104

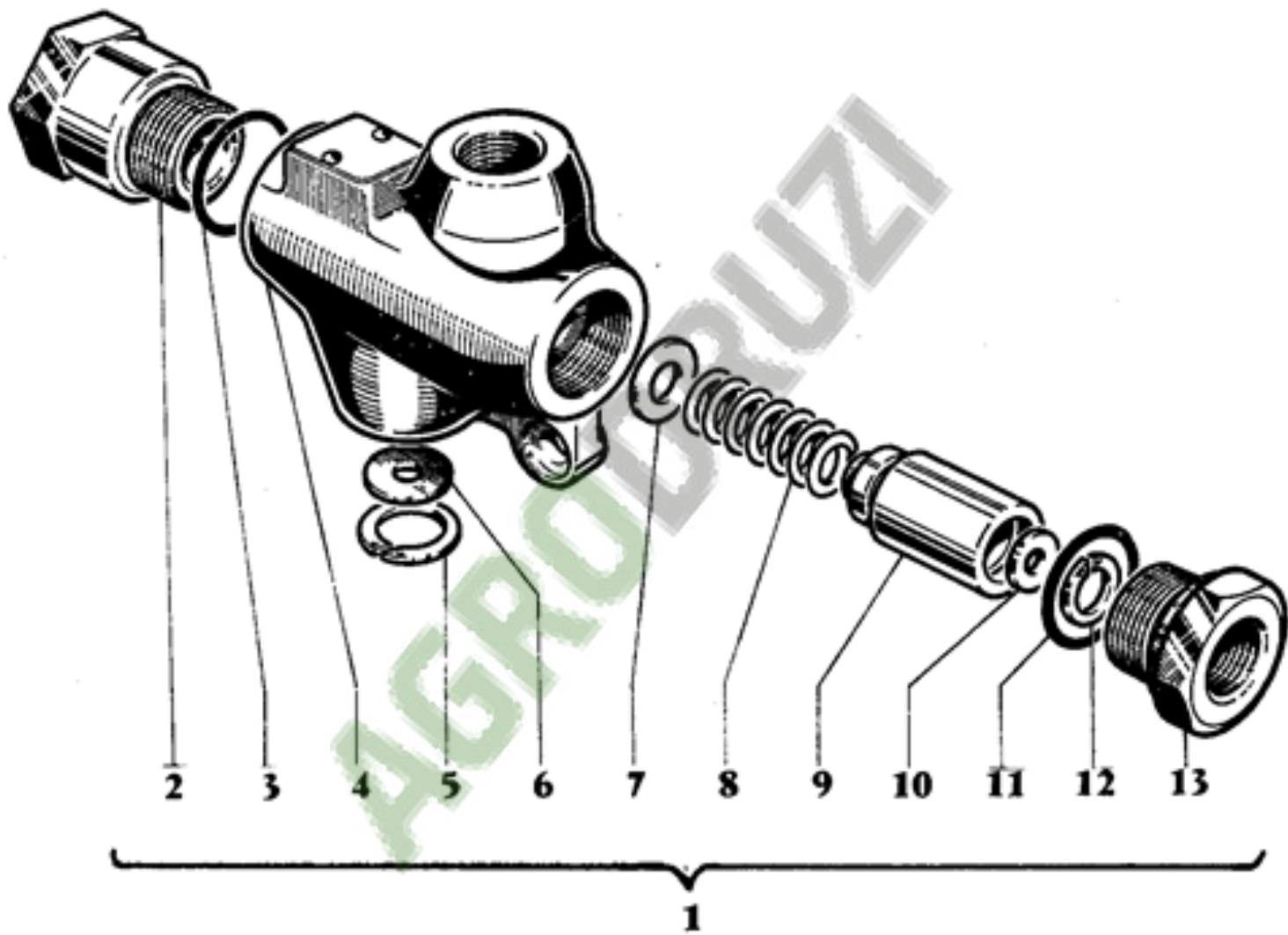


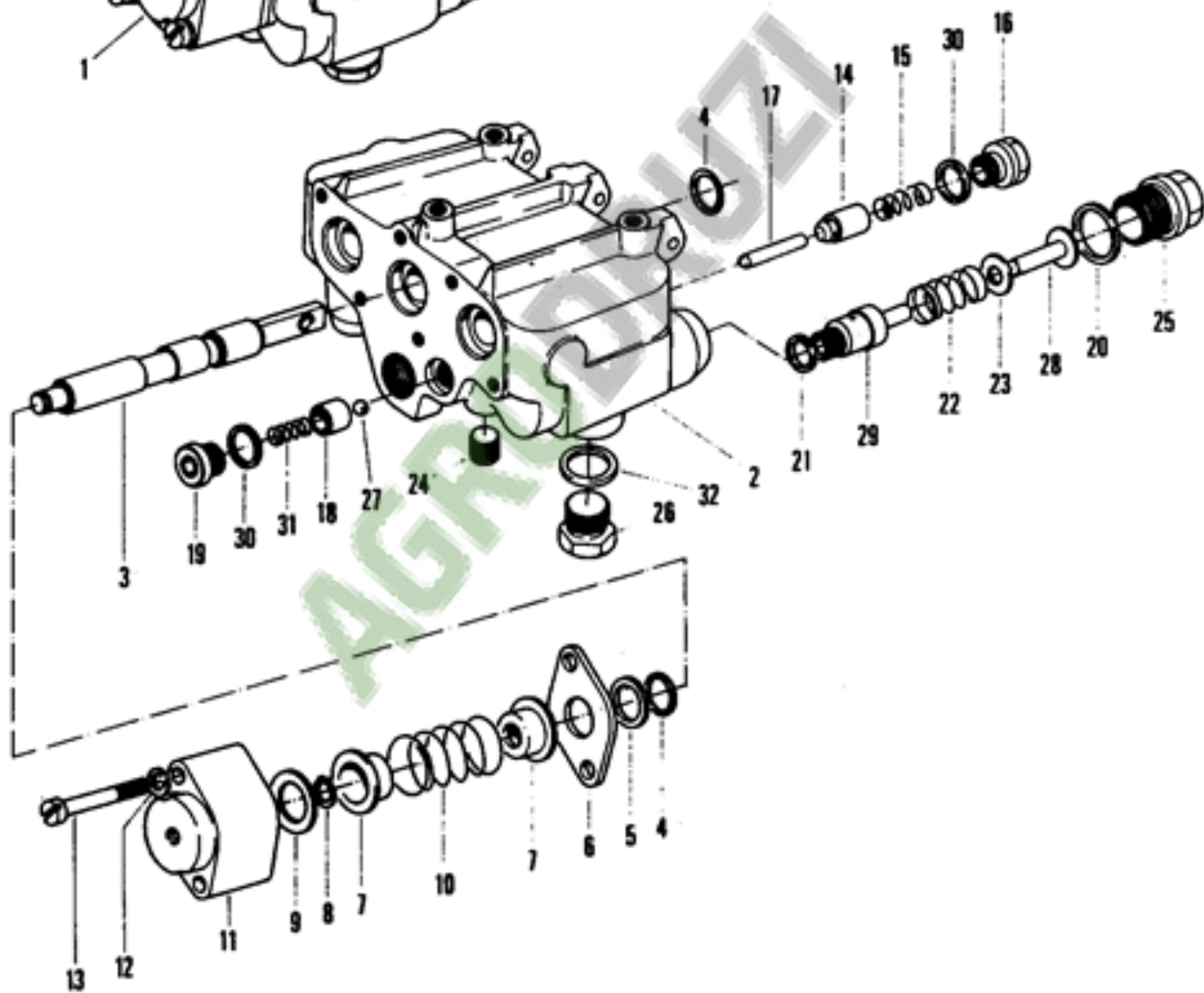
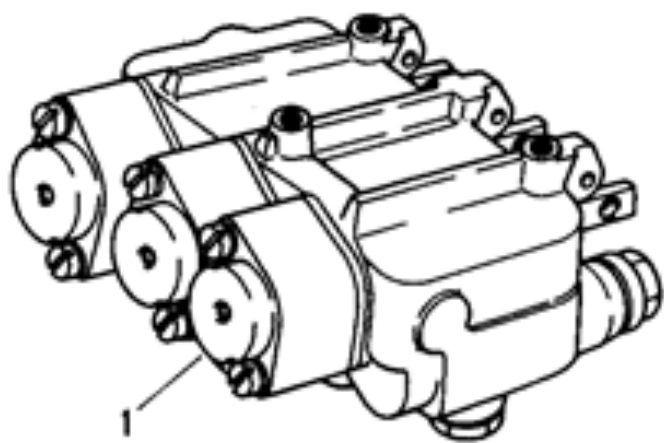
78-105

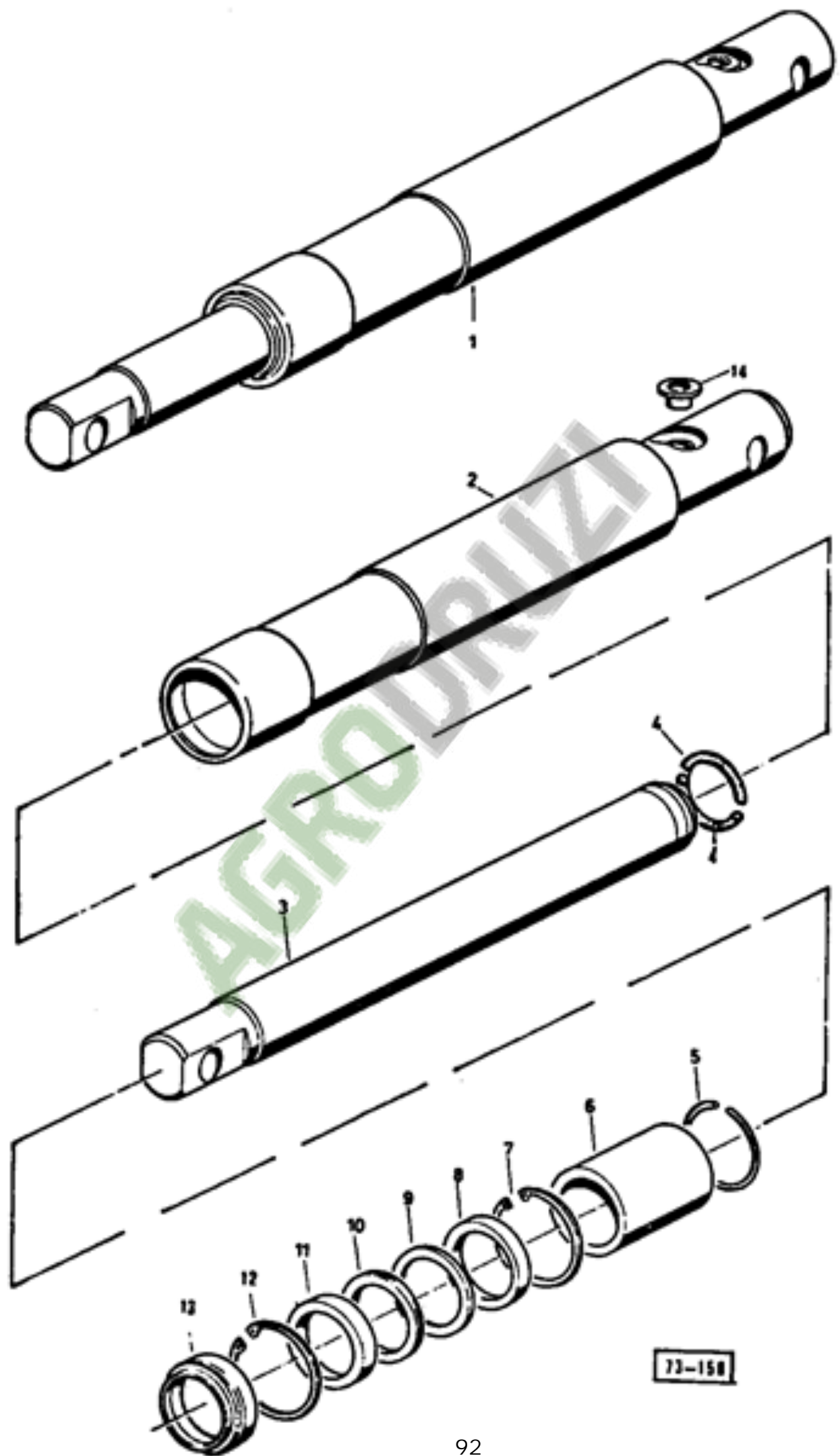




76-187

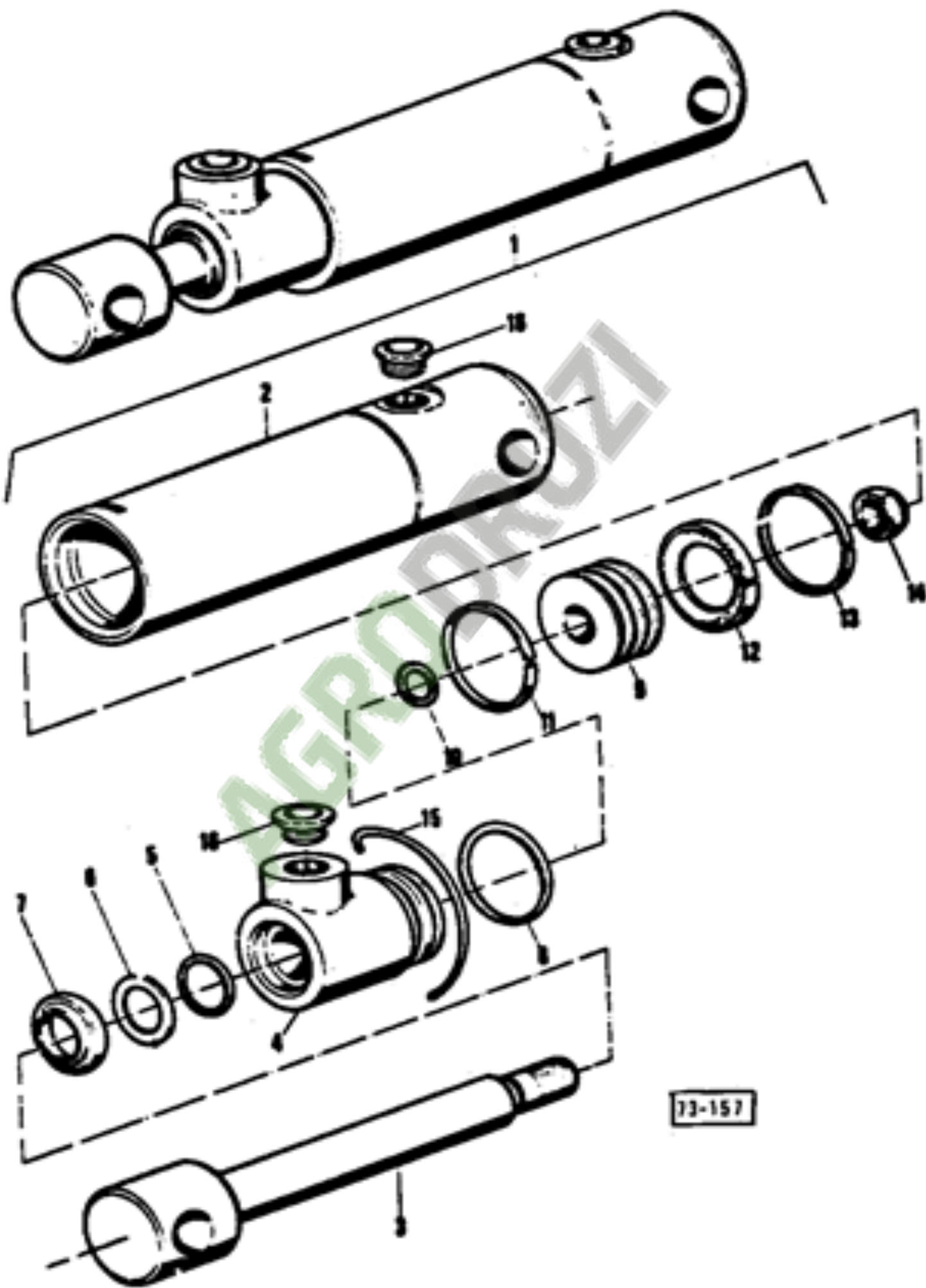


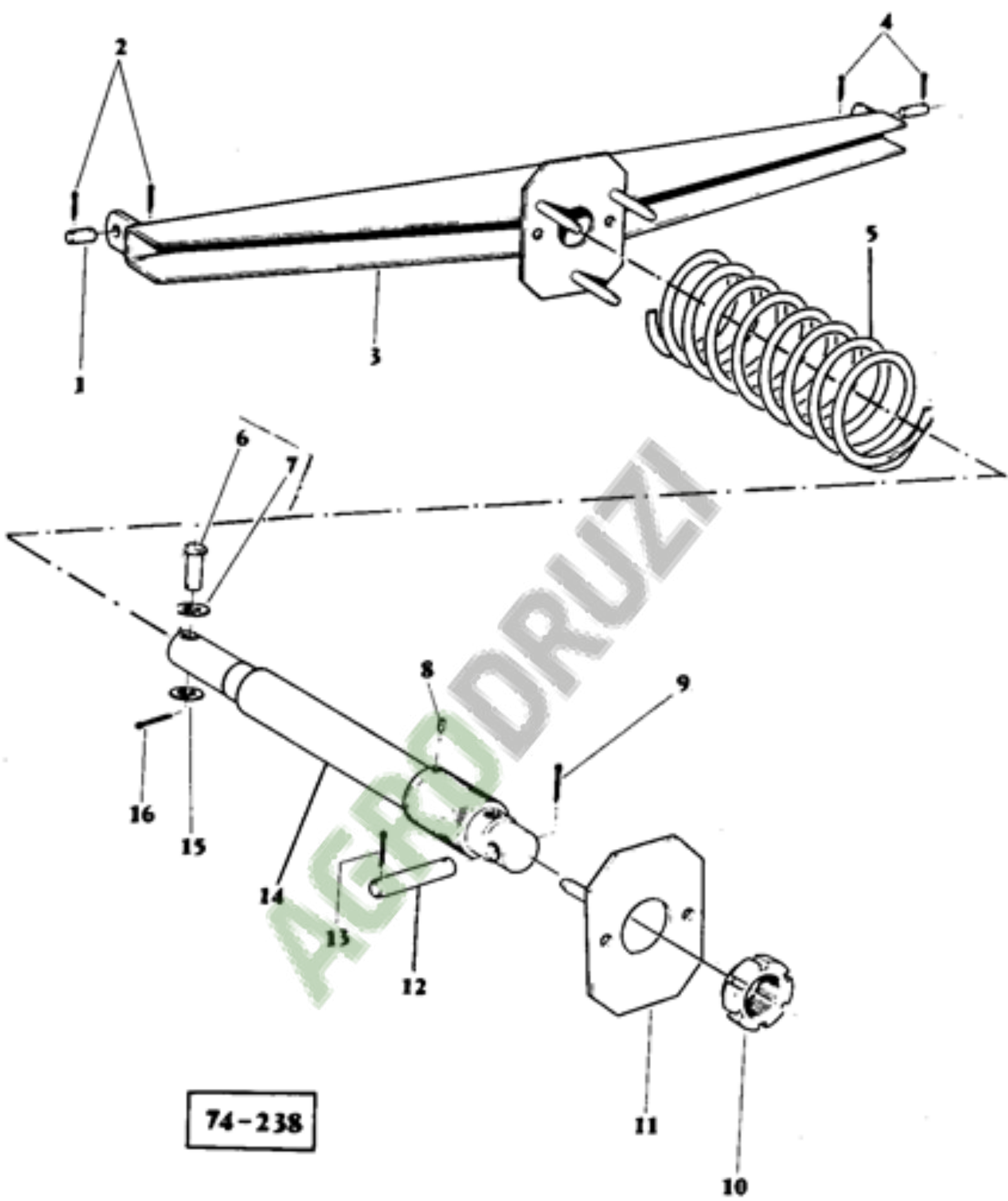


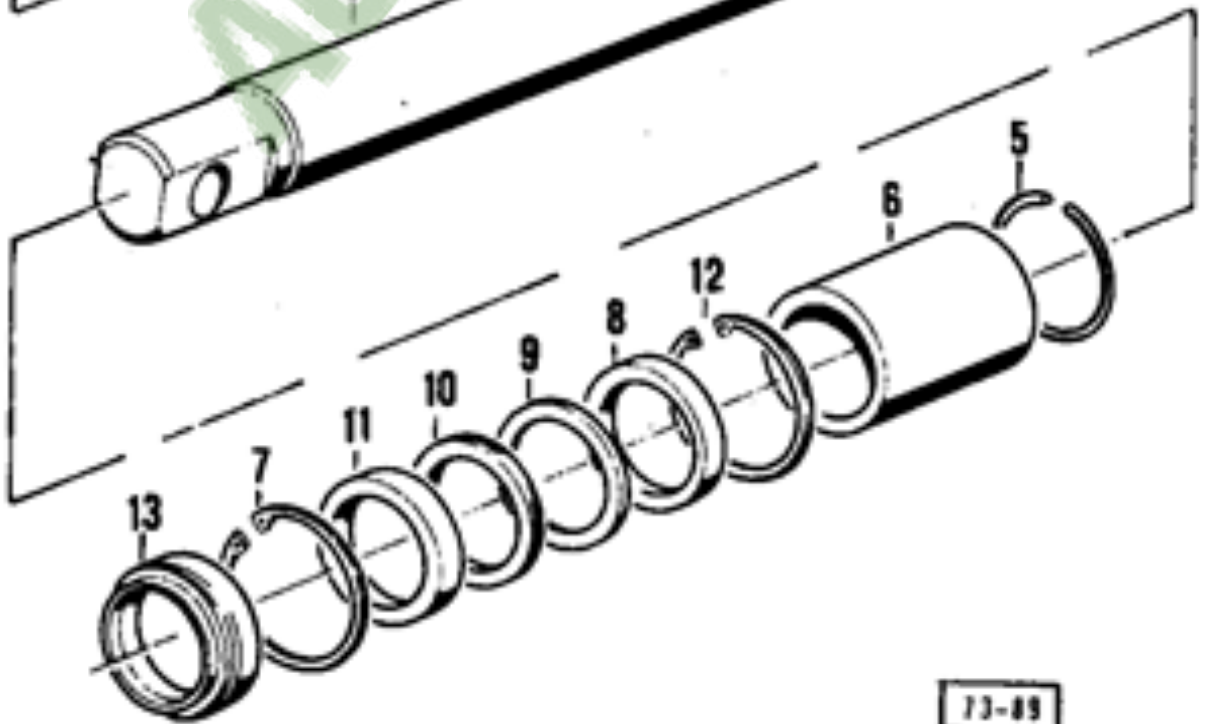
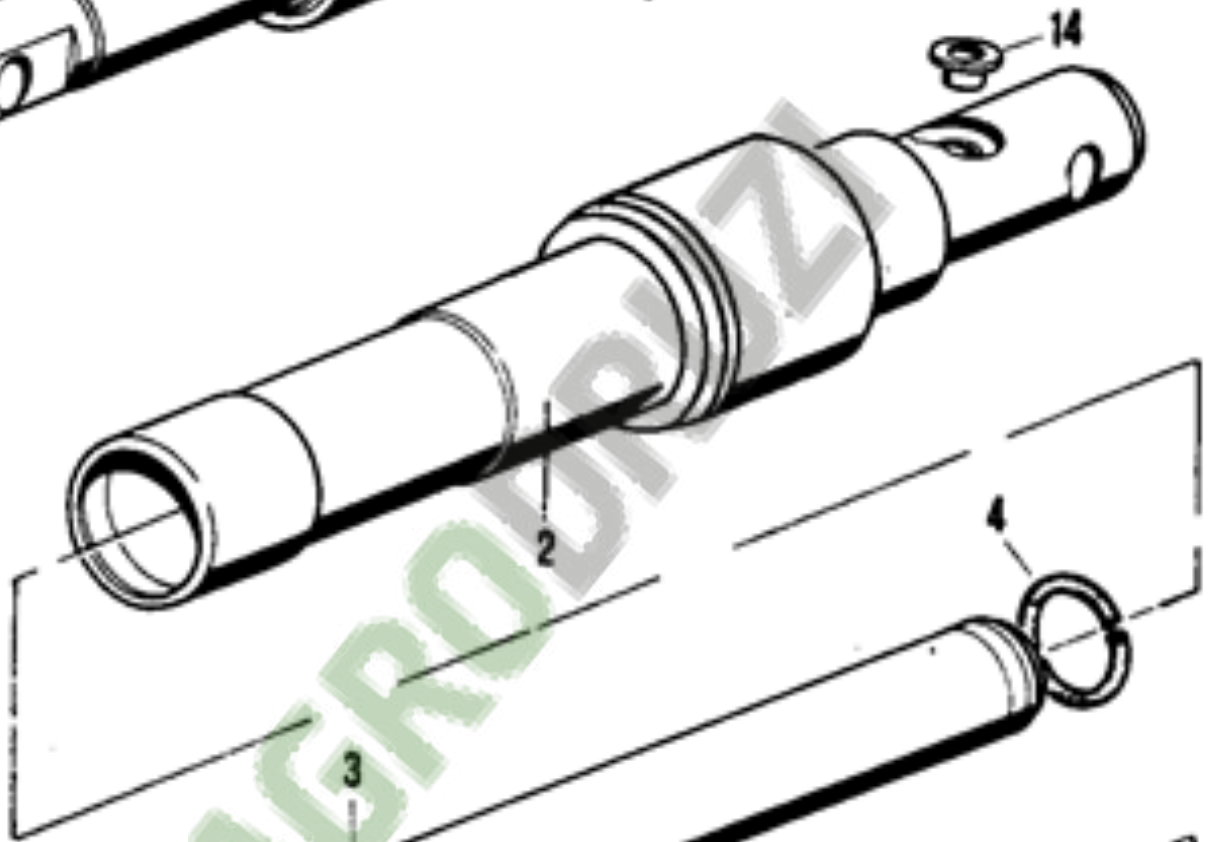
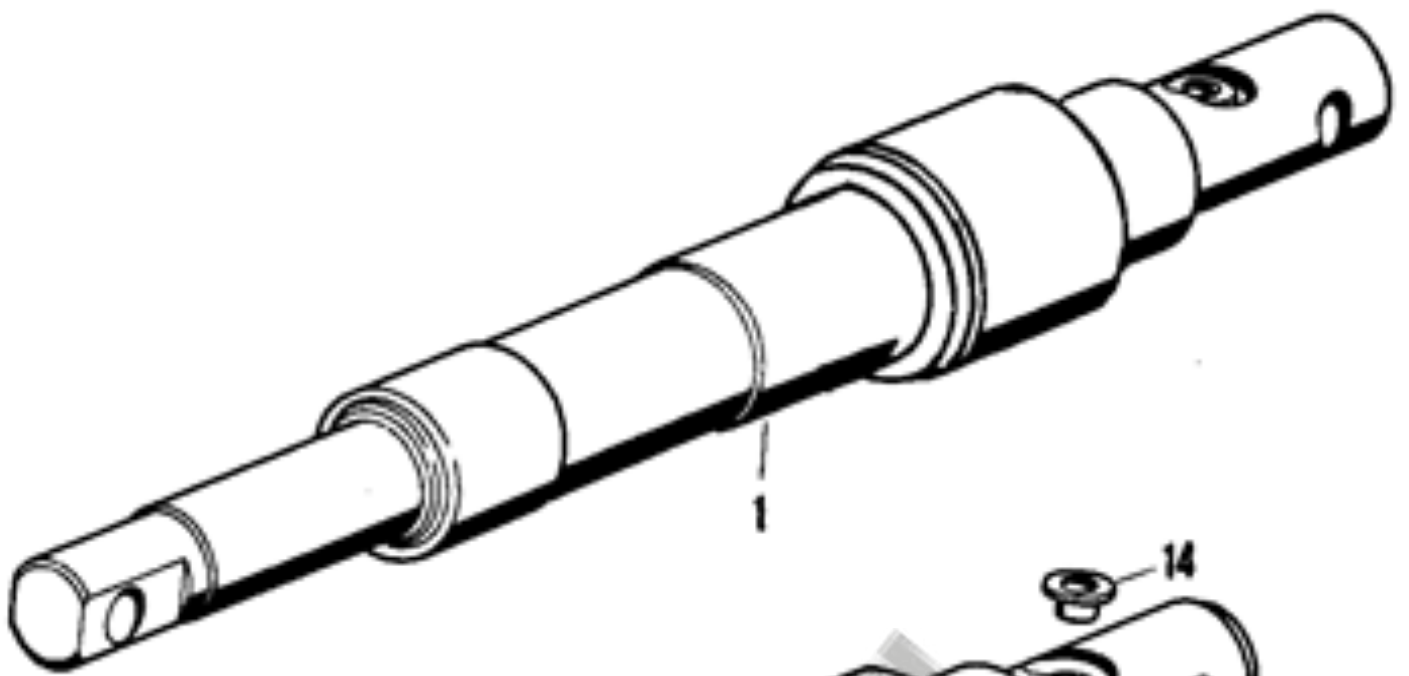


72-158

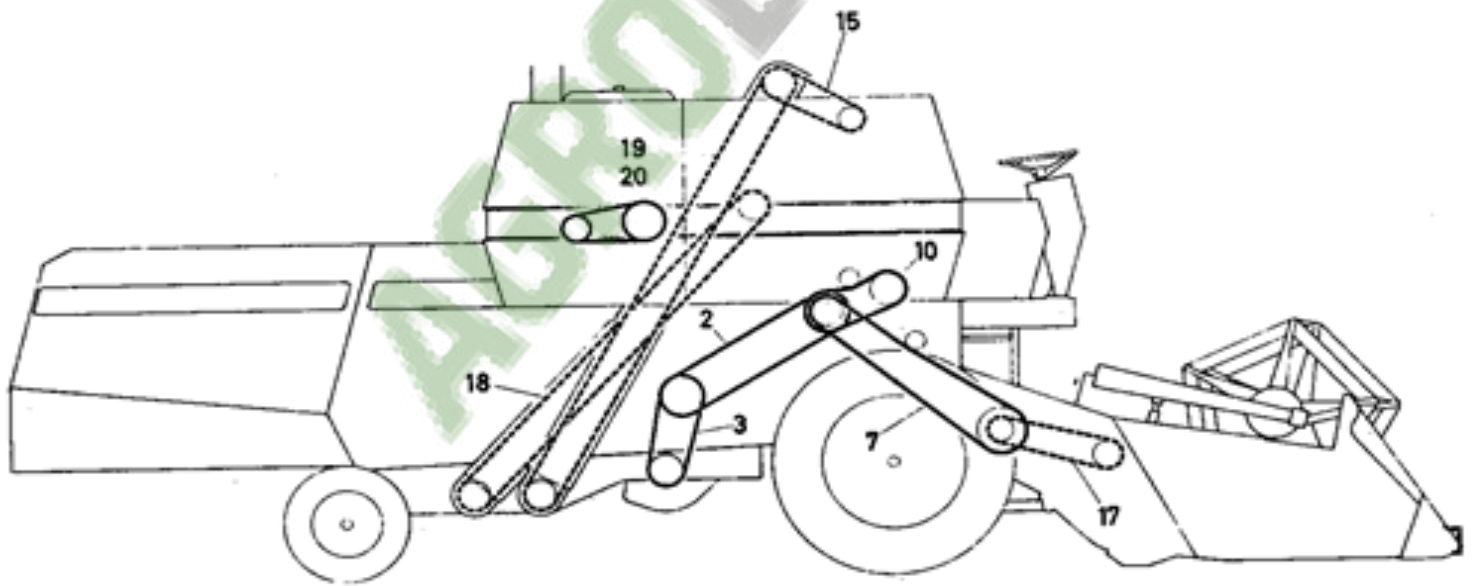
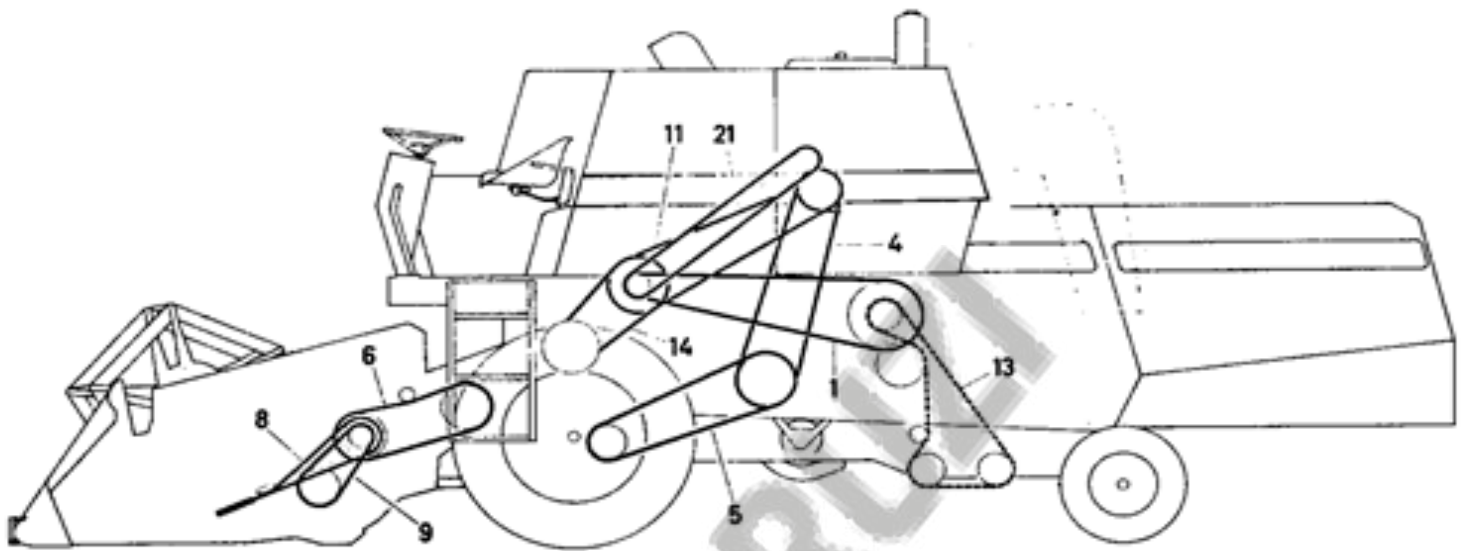




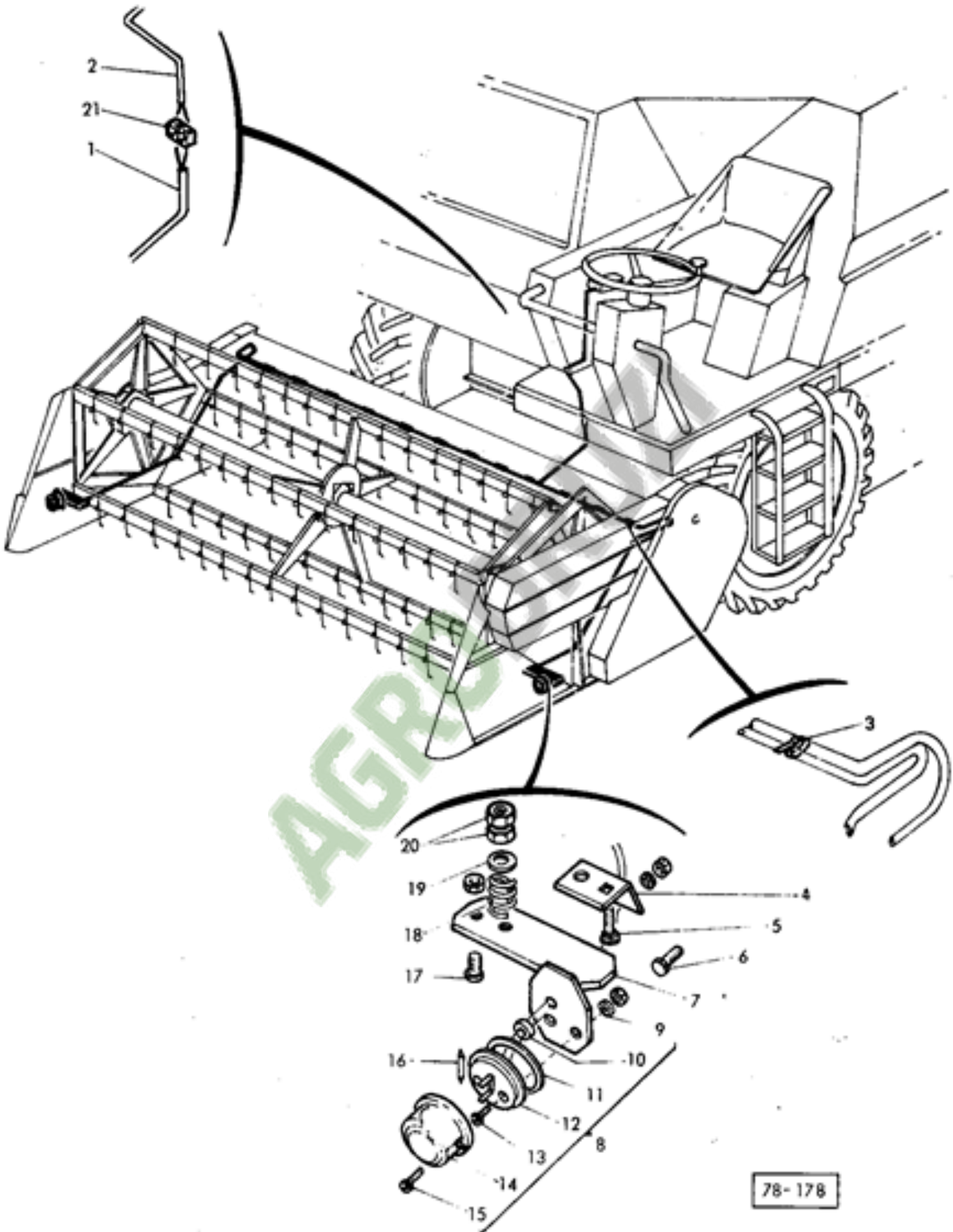




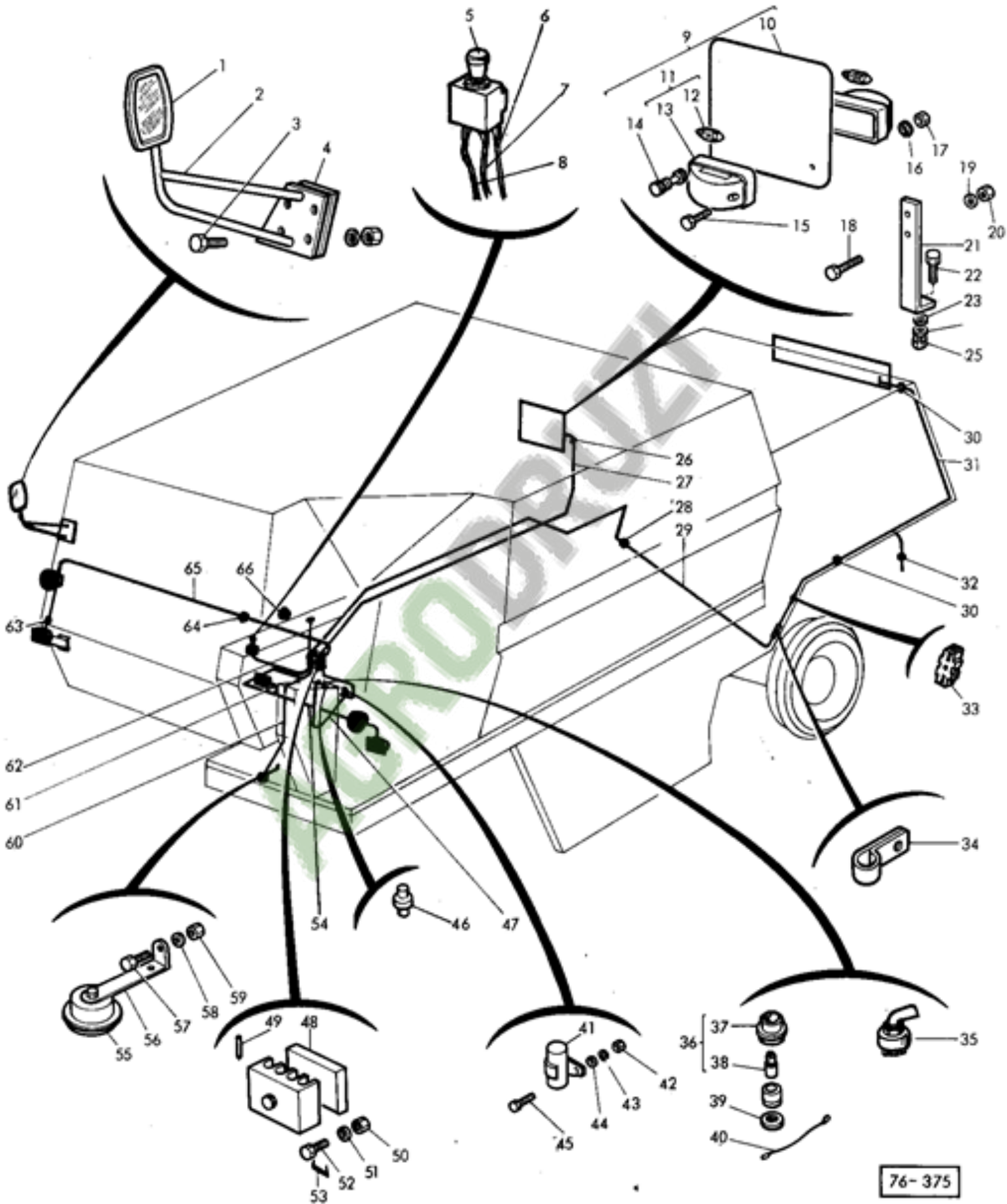
73-89



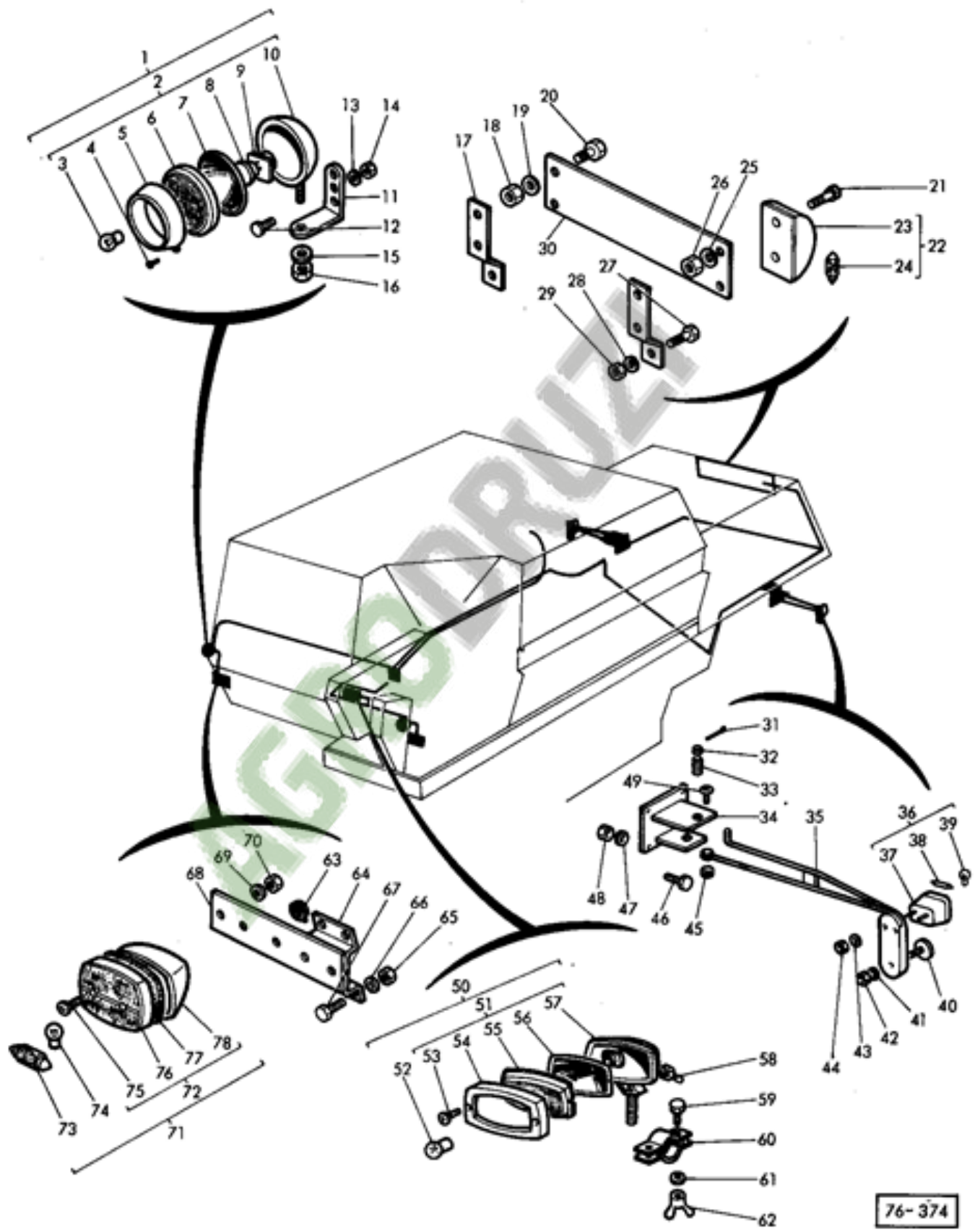




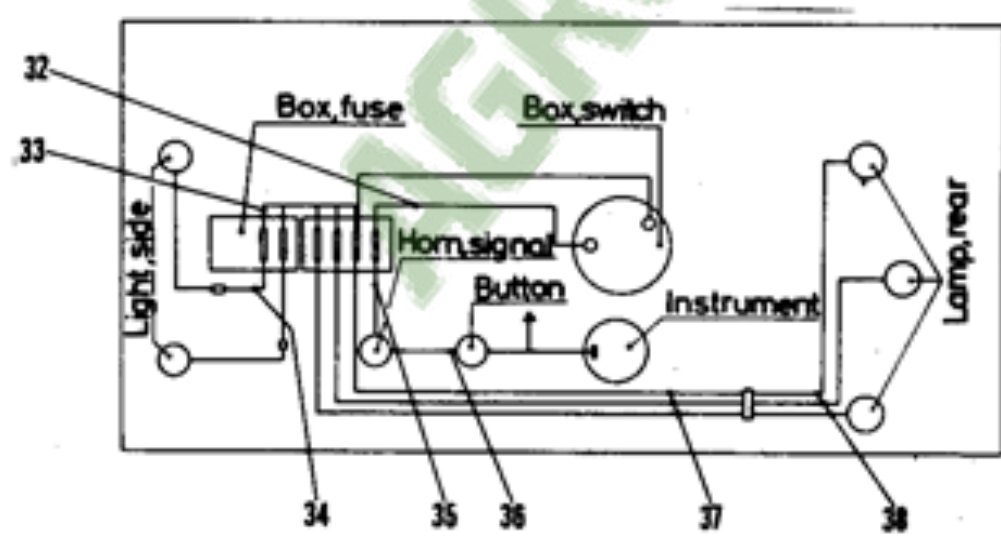
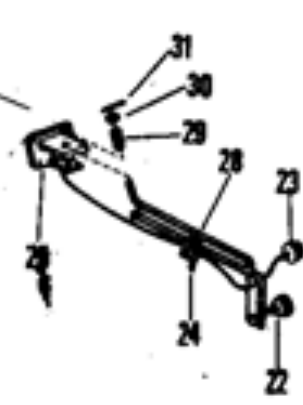
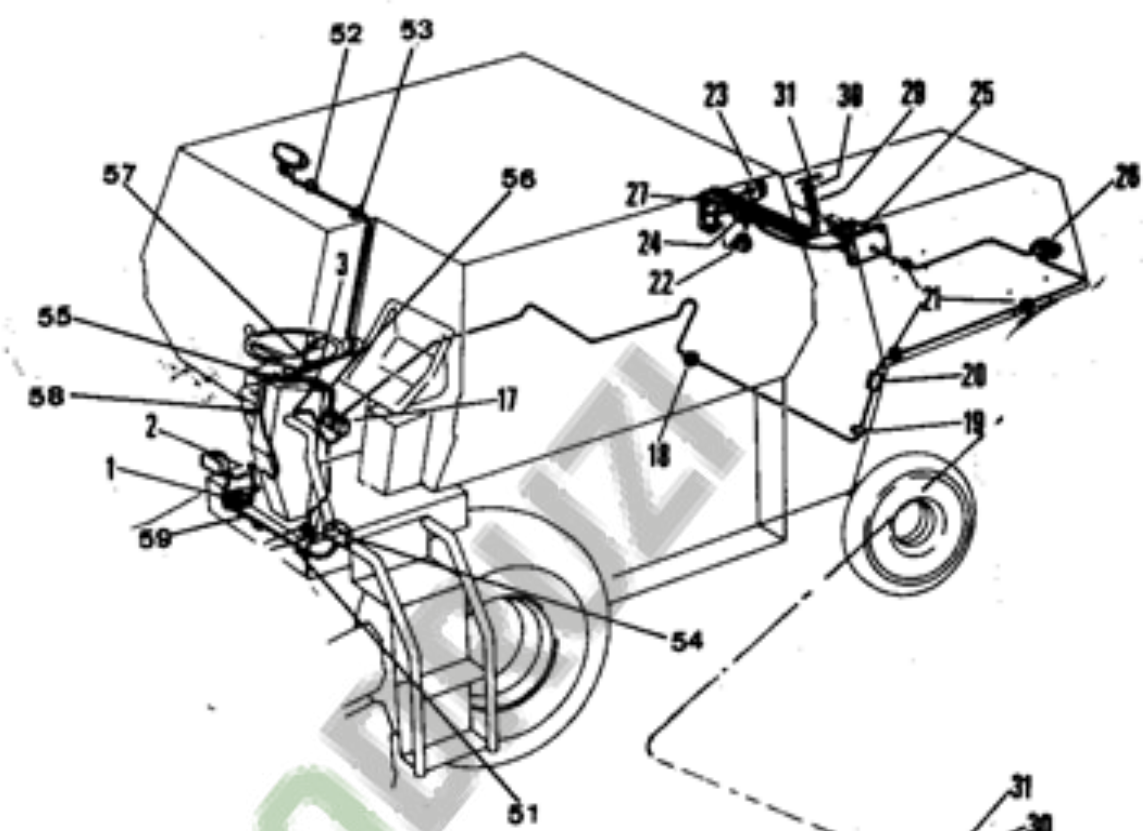
78-178



76-375

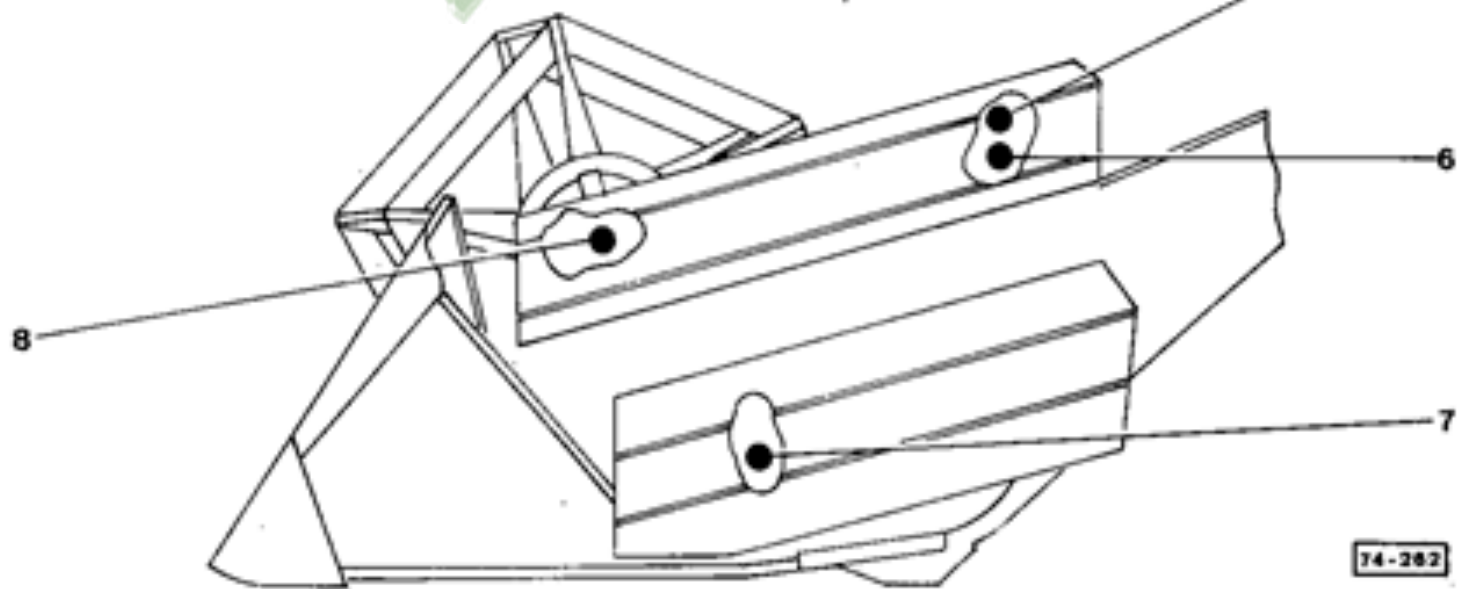
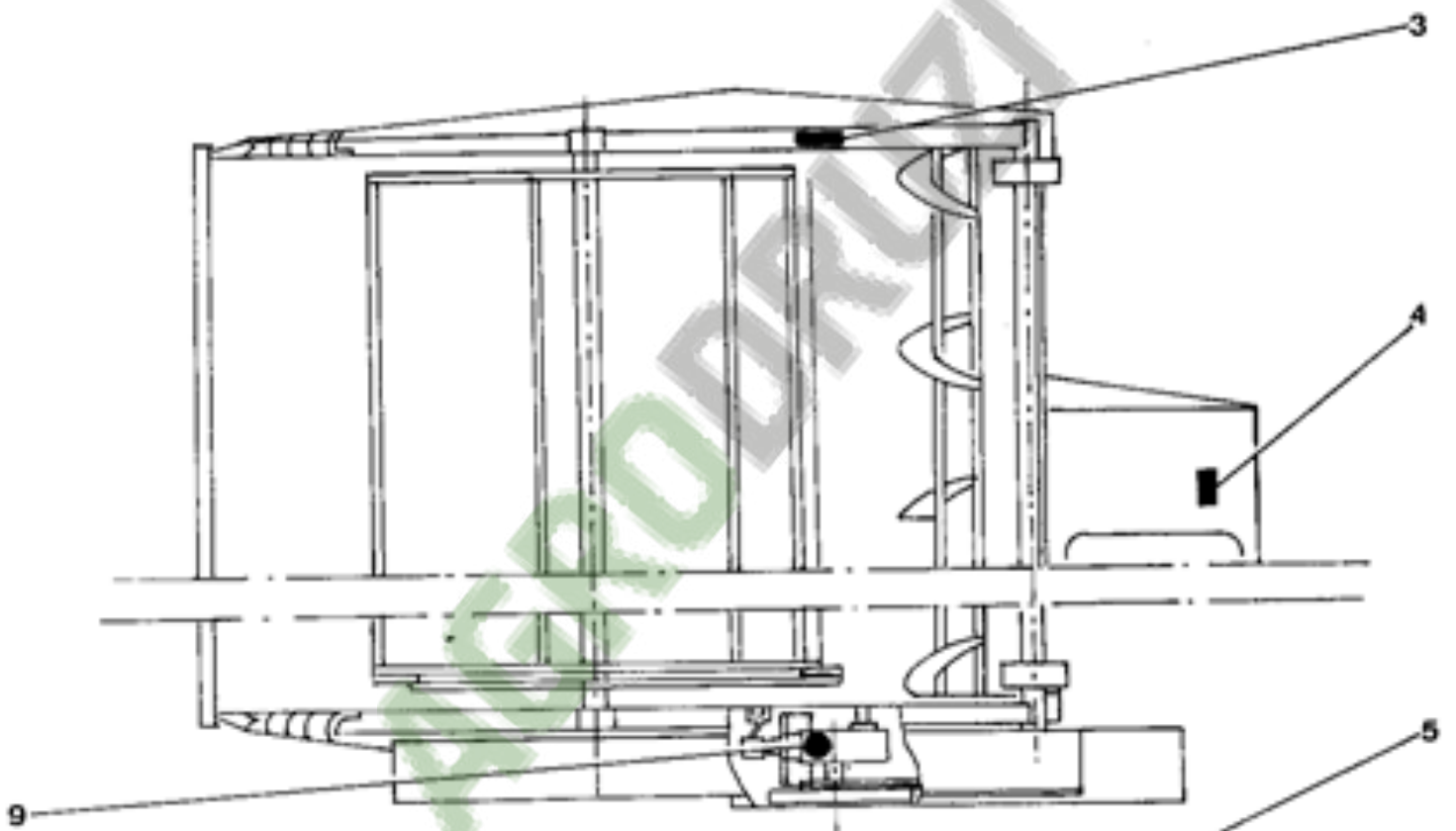
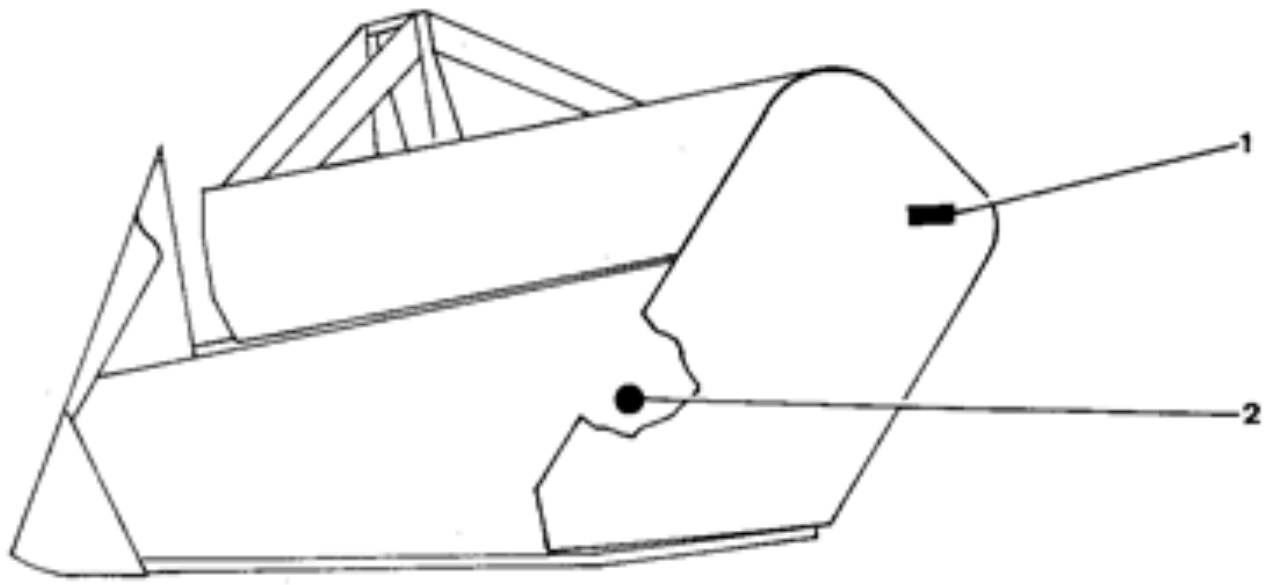


76-374

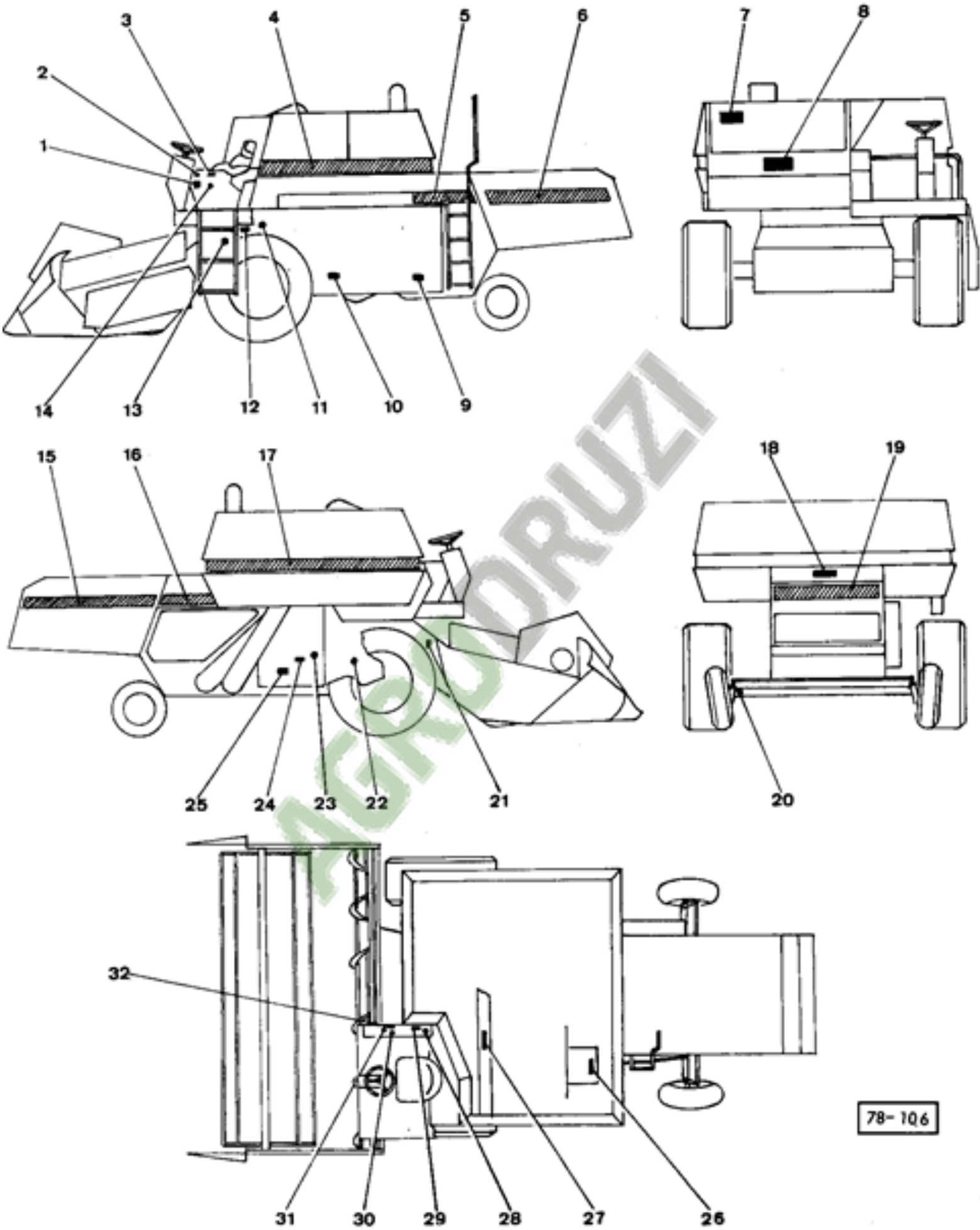


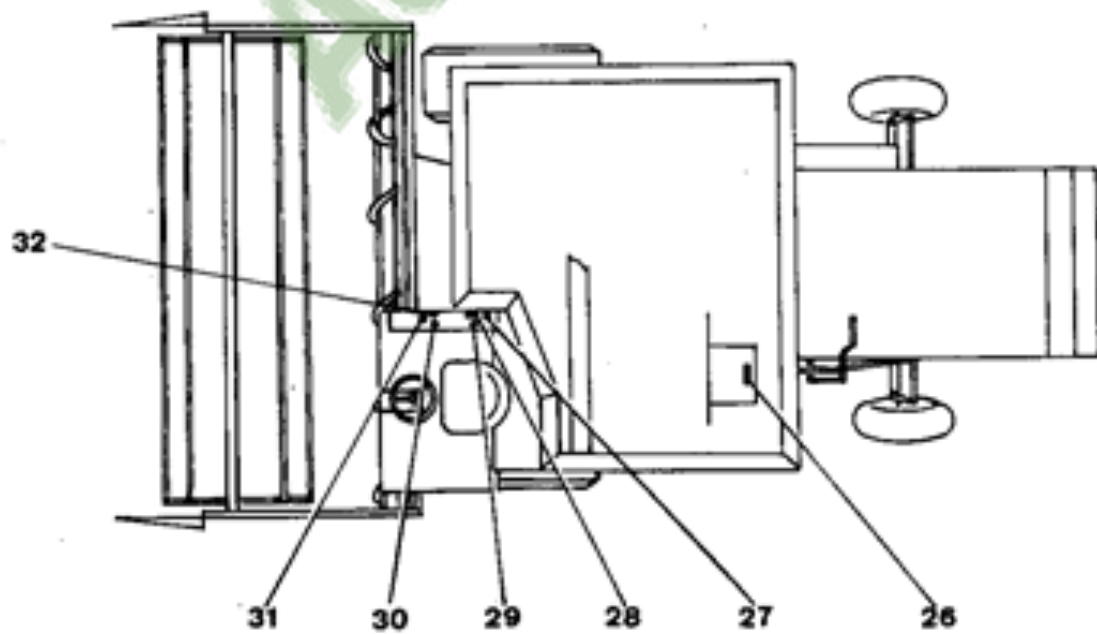
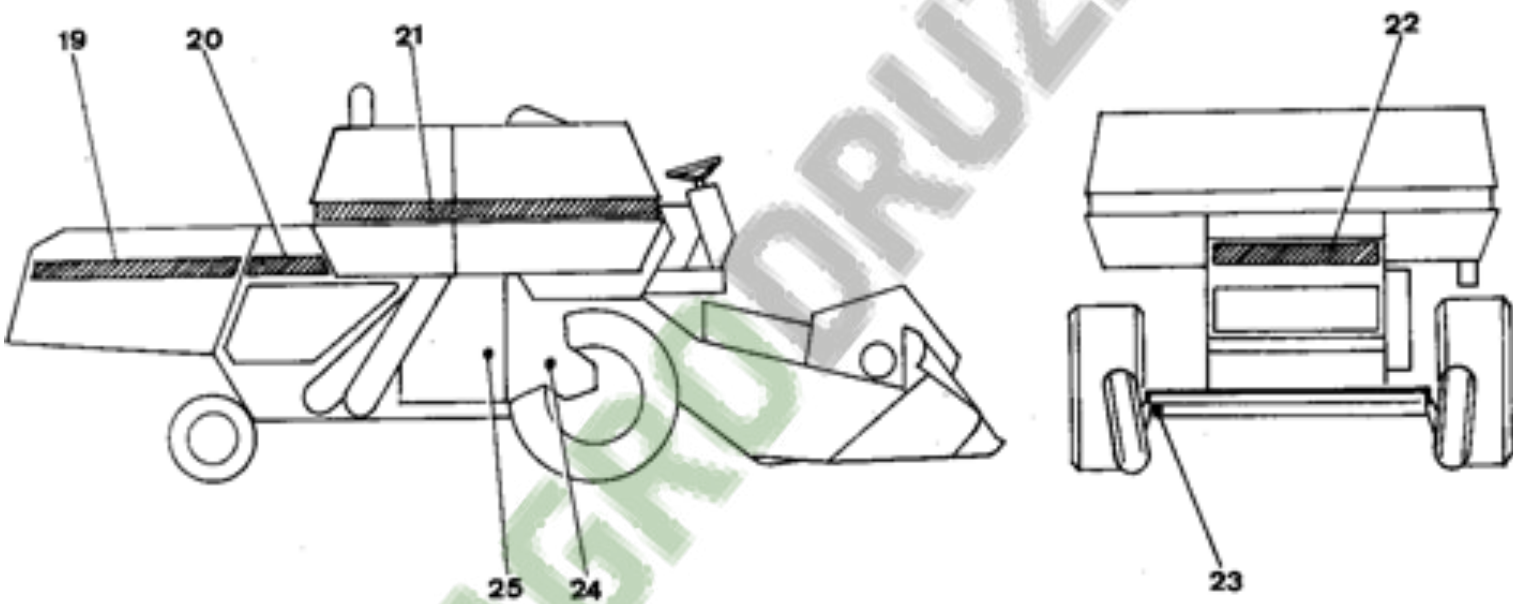
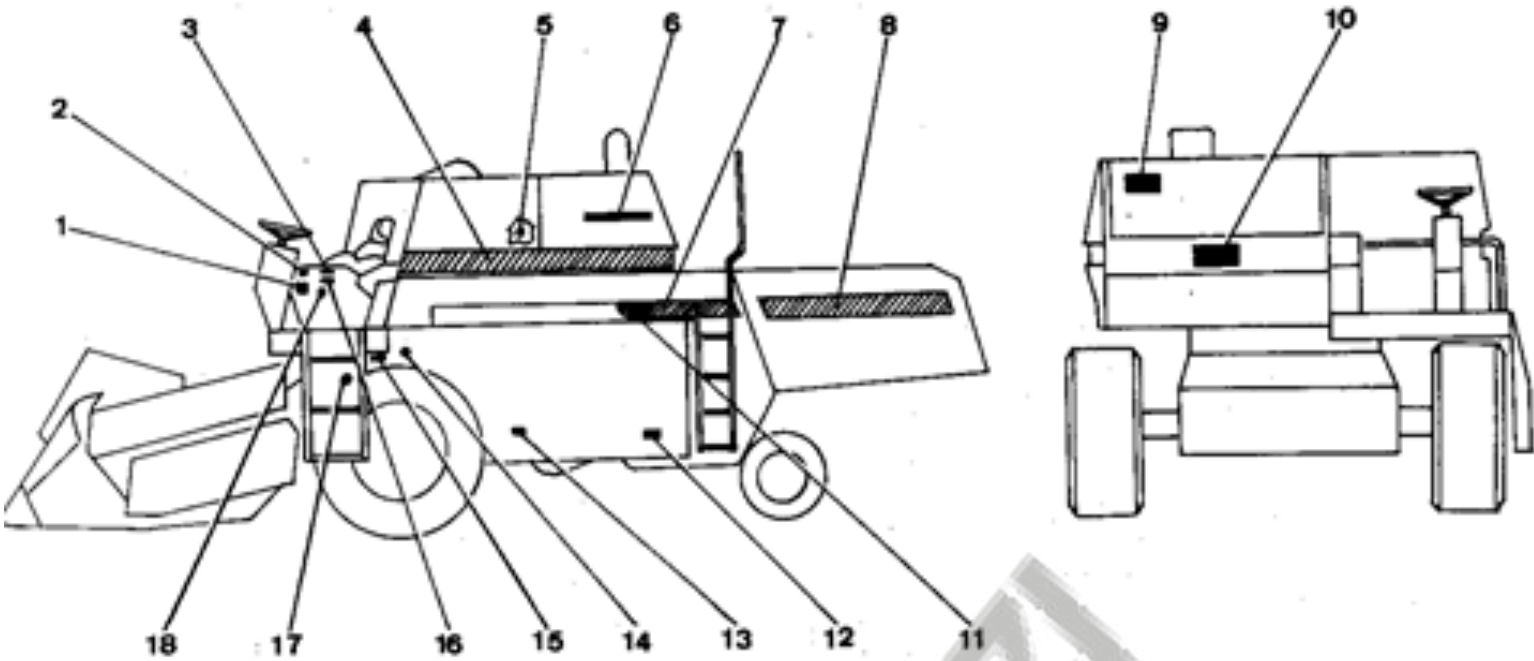
74-241



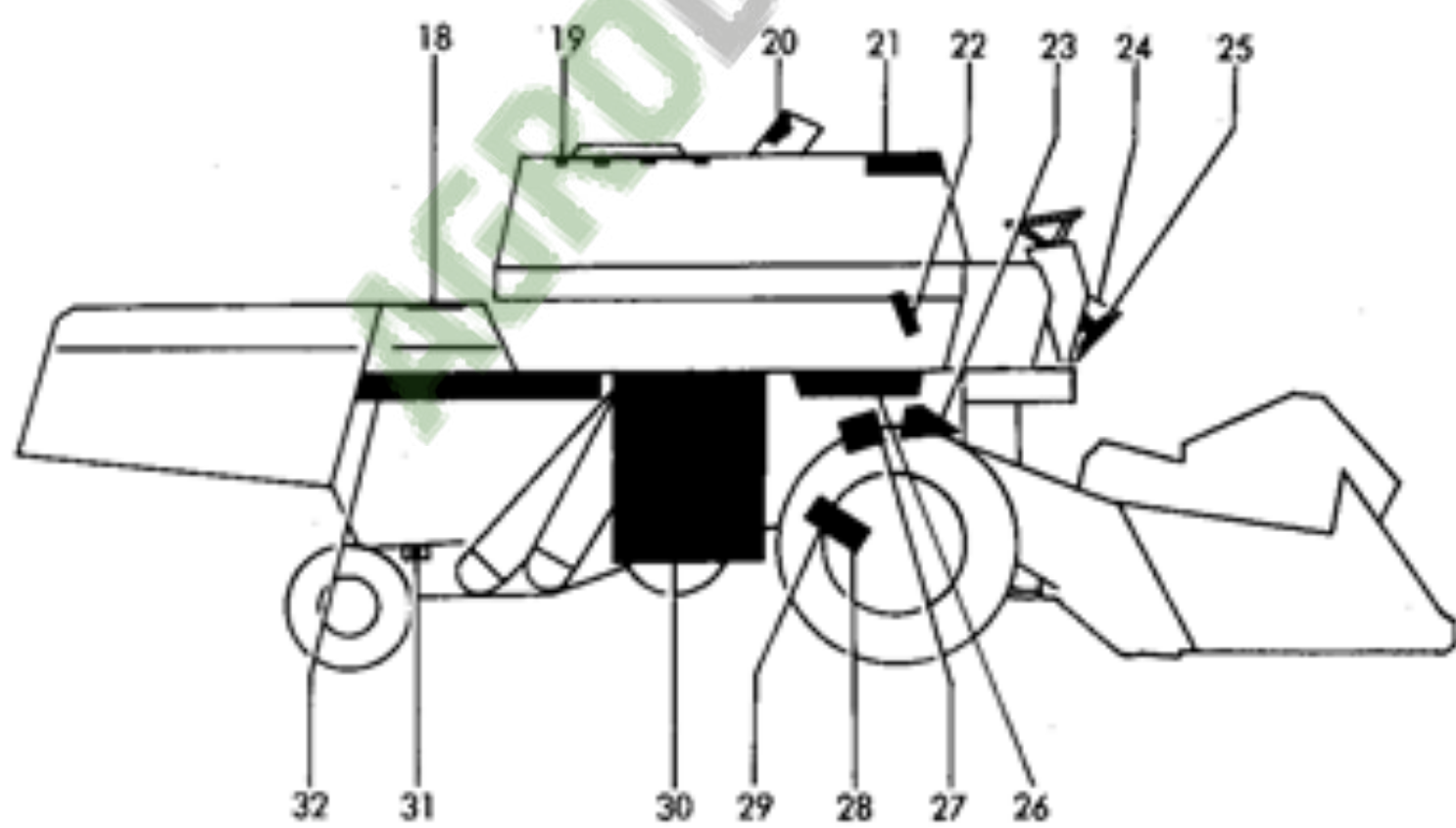
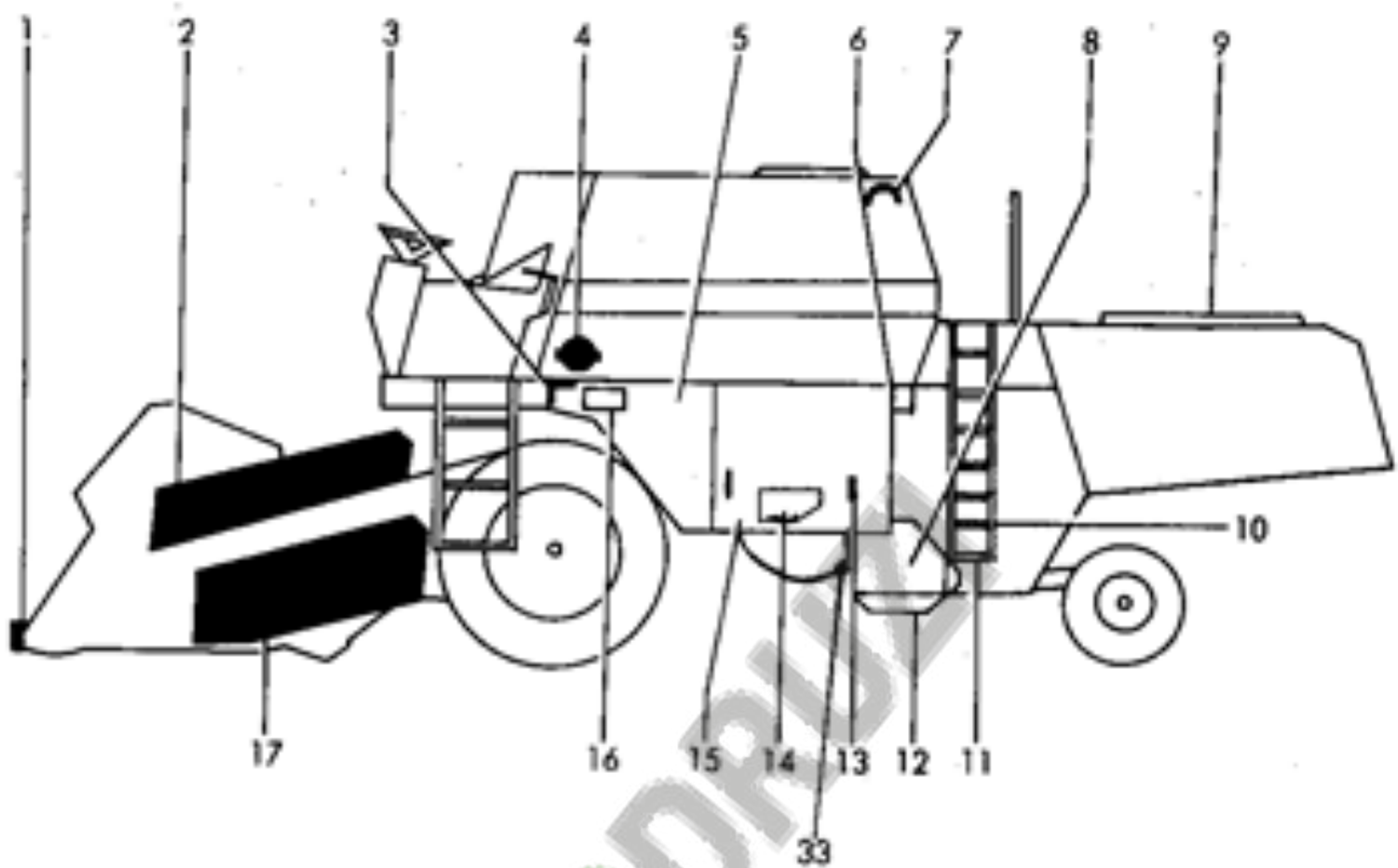


74-282

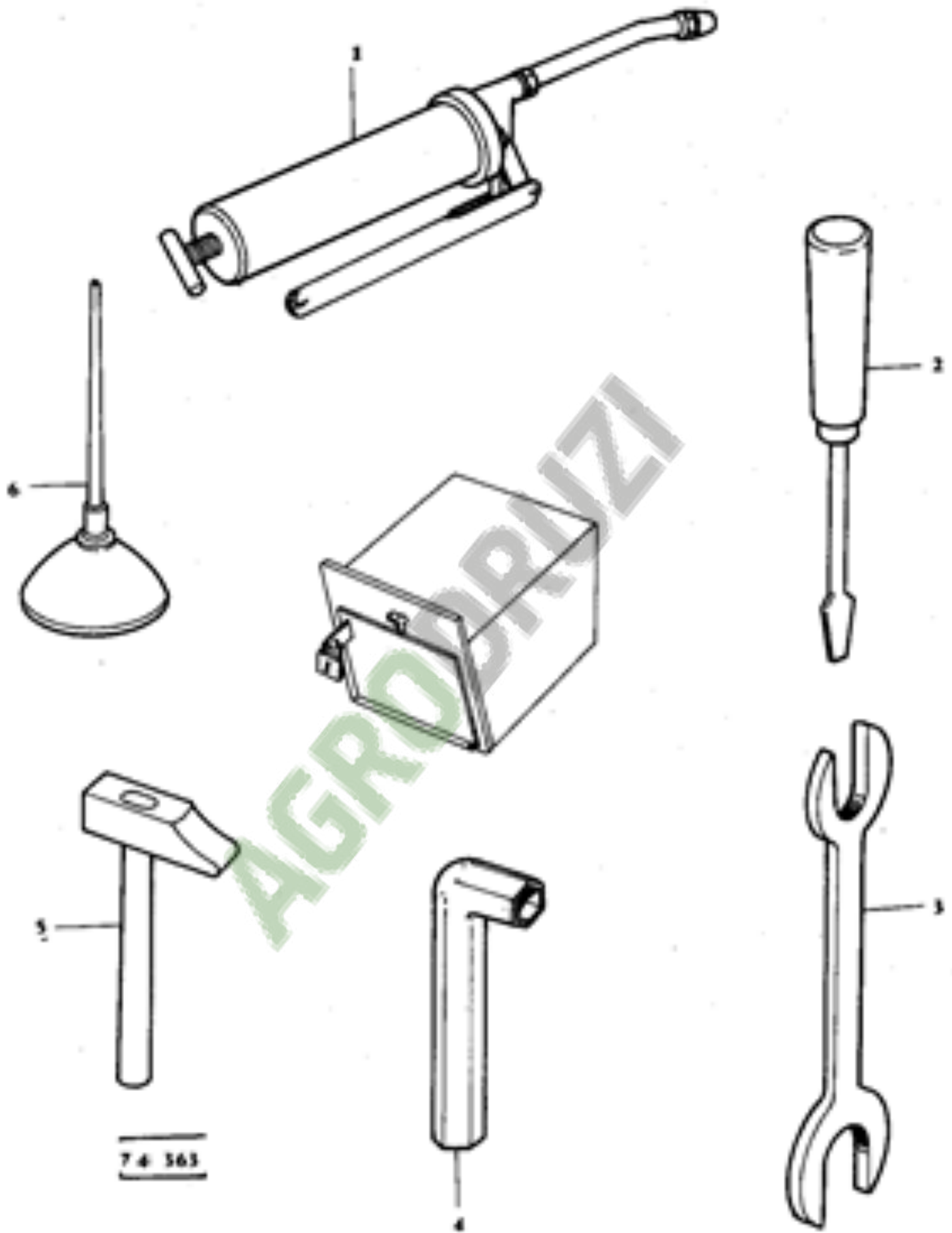




78-107







74 563

