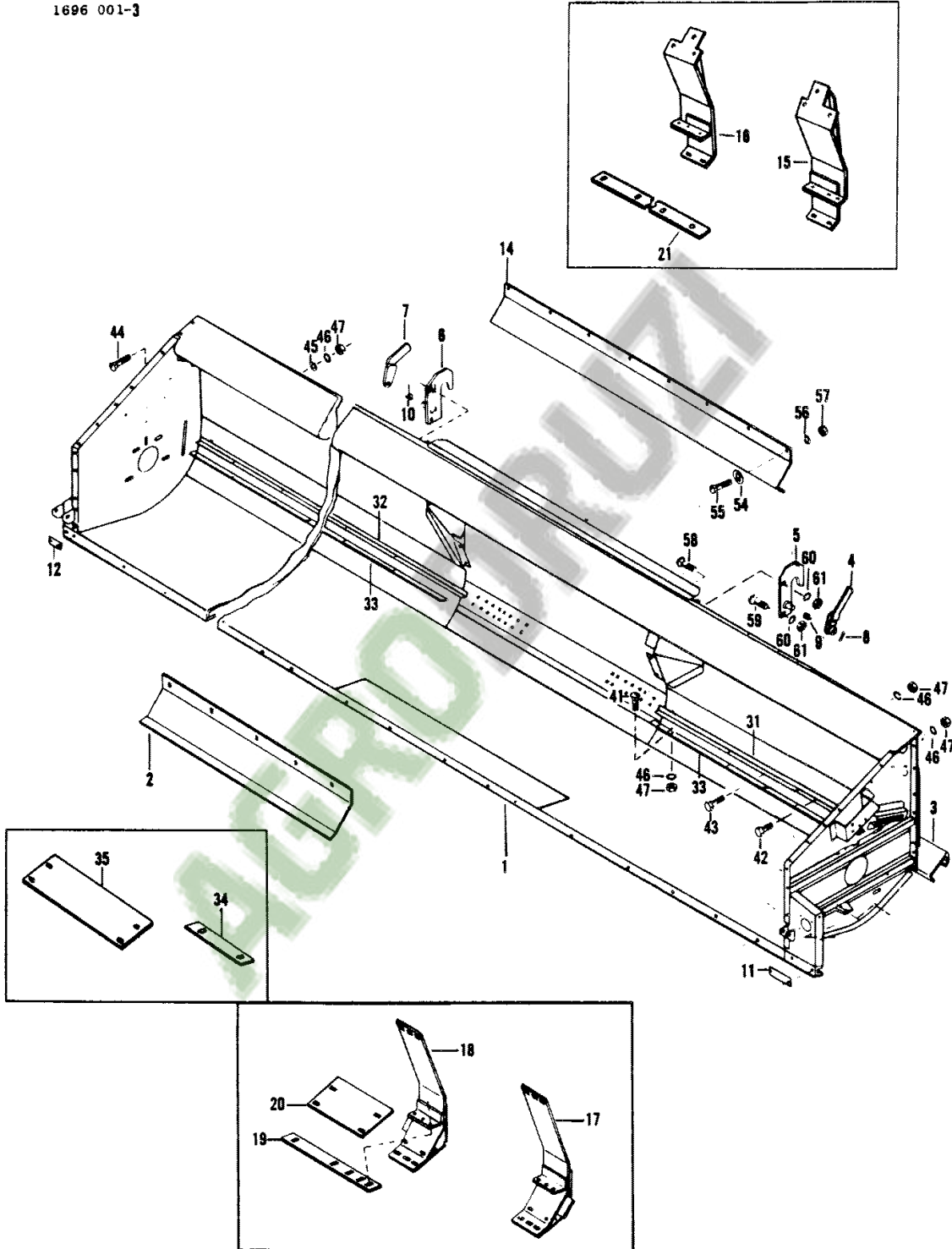


2

TABLE

1696 001-3

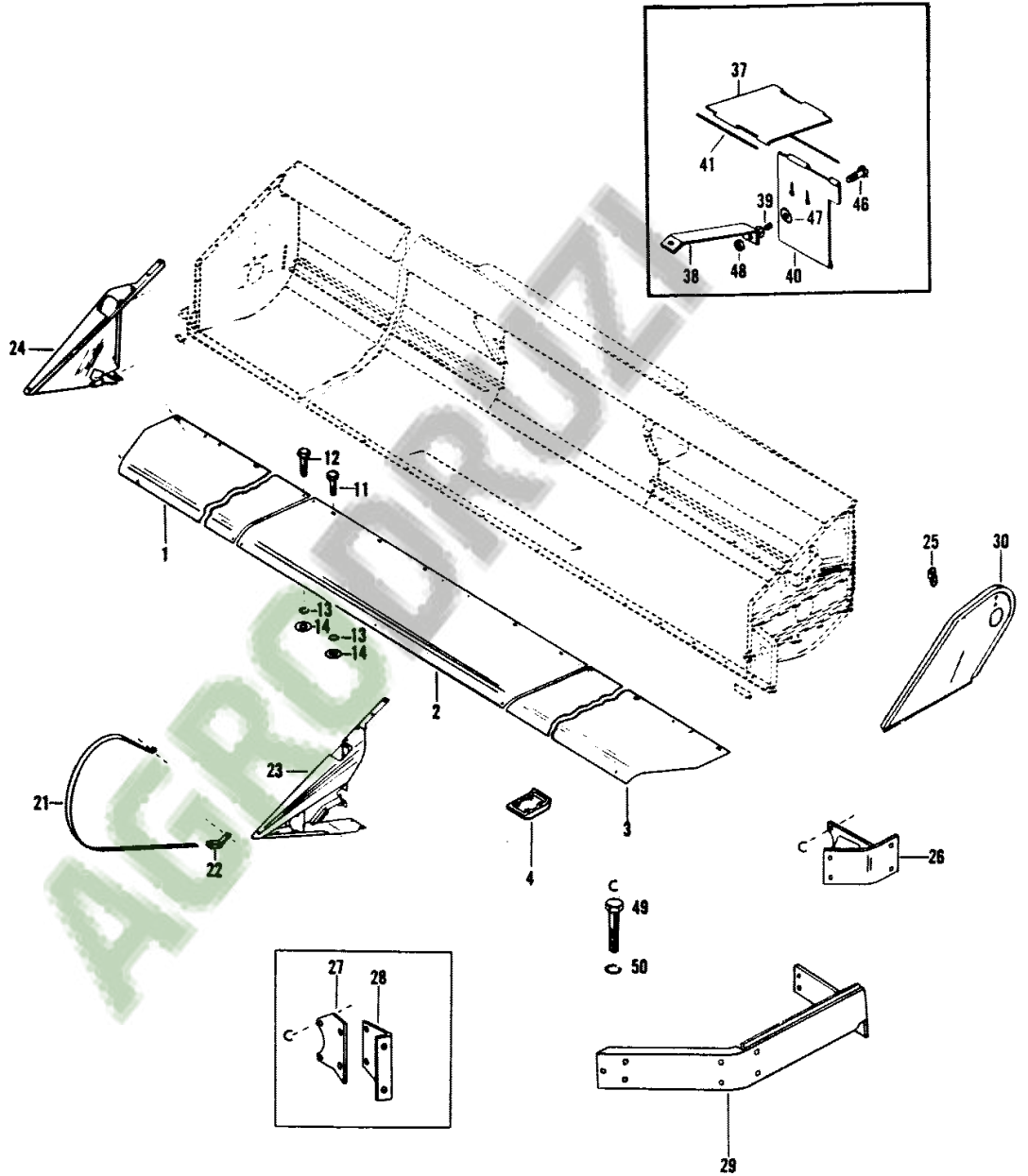


1st Print

651 331 M95 (Issue 1) 12/77

TABLE

1696 002-3



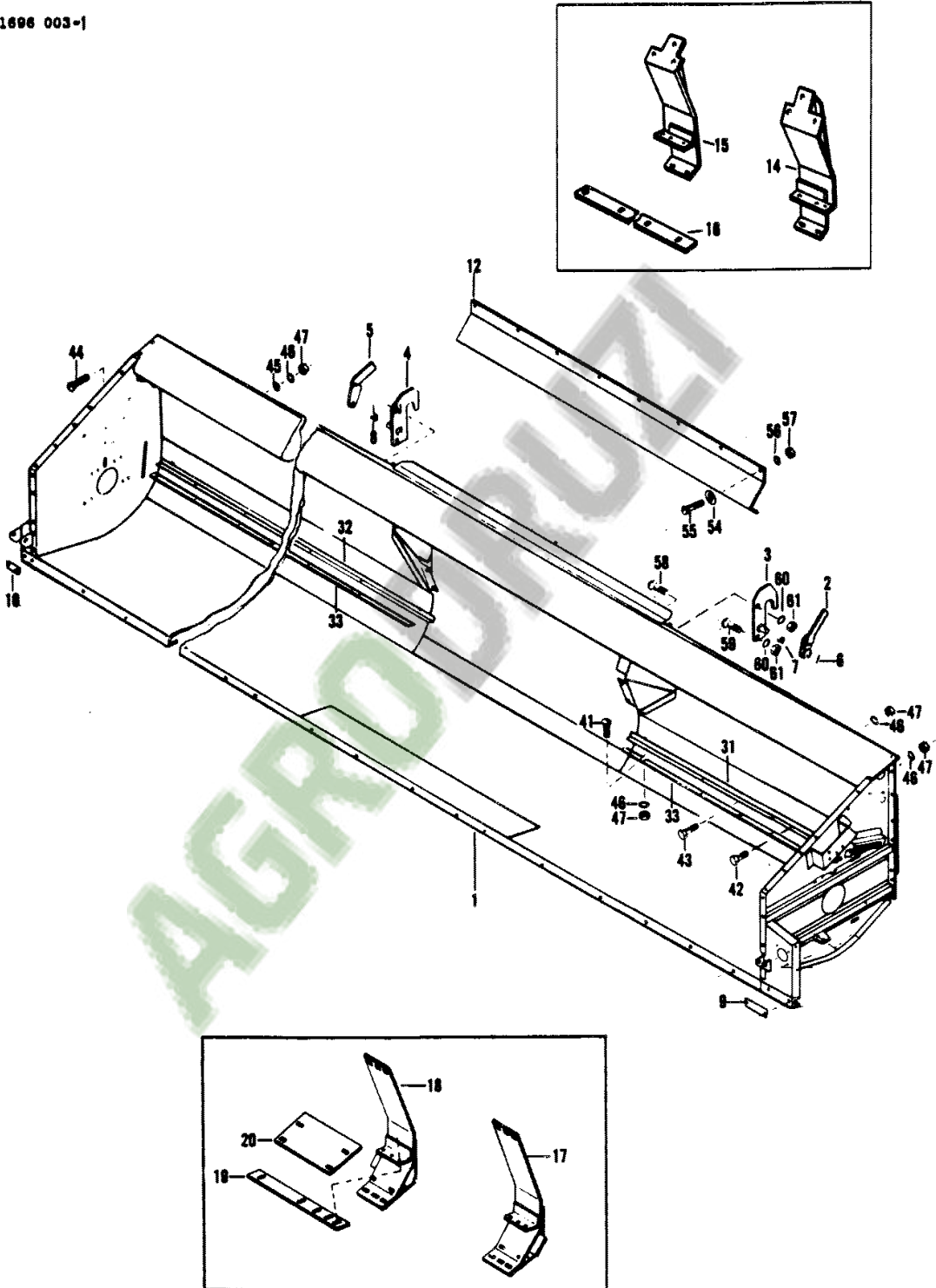
1st Print

651 331 M95 (Issue 1) 12/77

6

TABLE

1896 003-1



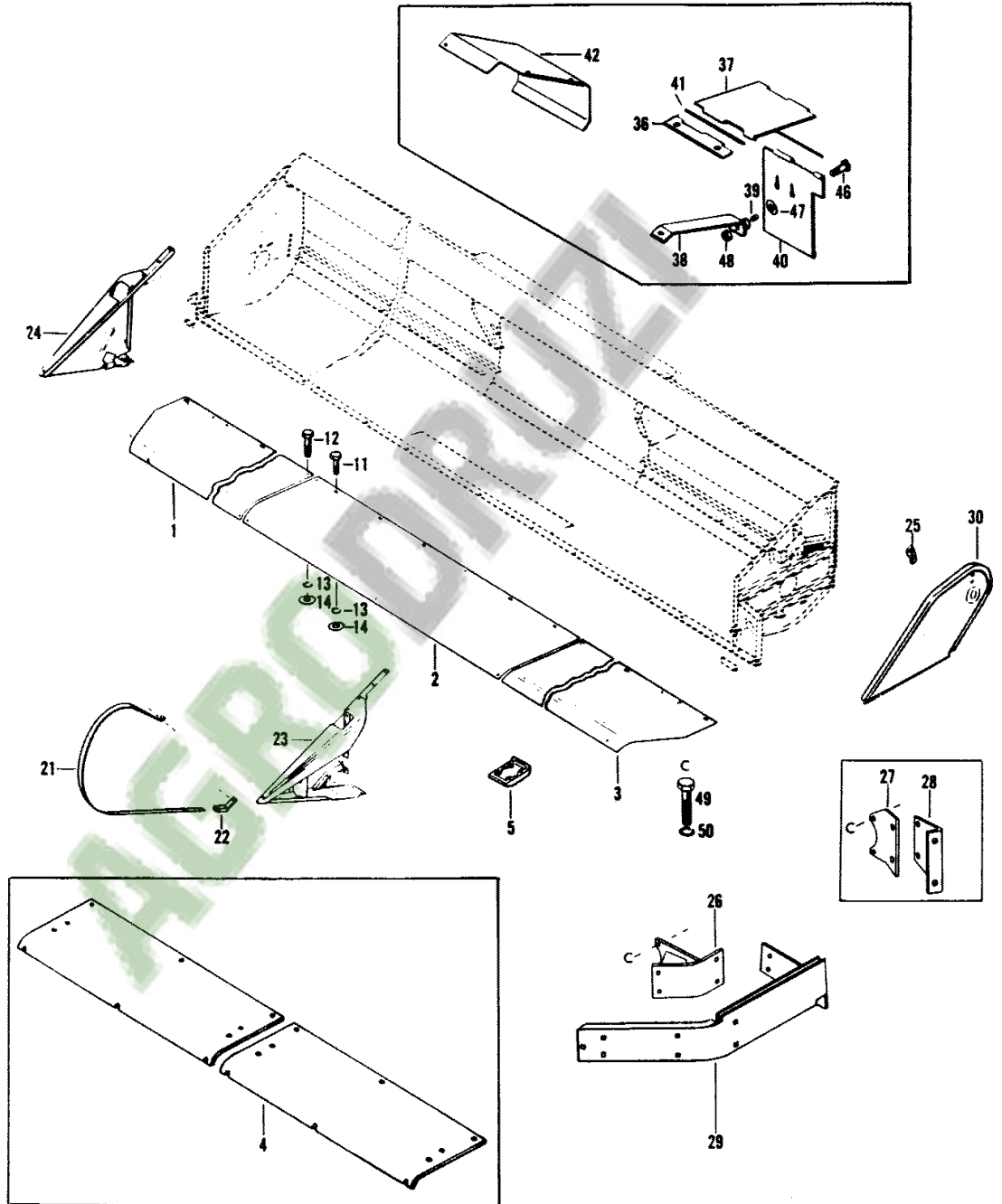
1st Print

651 331 M95 (Issue 1) 12/77

TABLE

9

1696 004-2



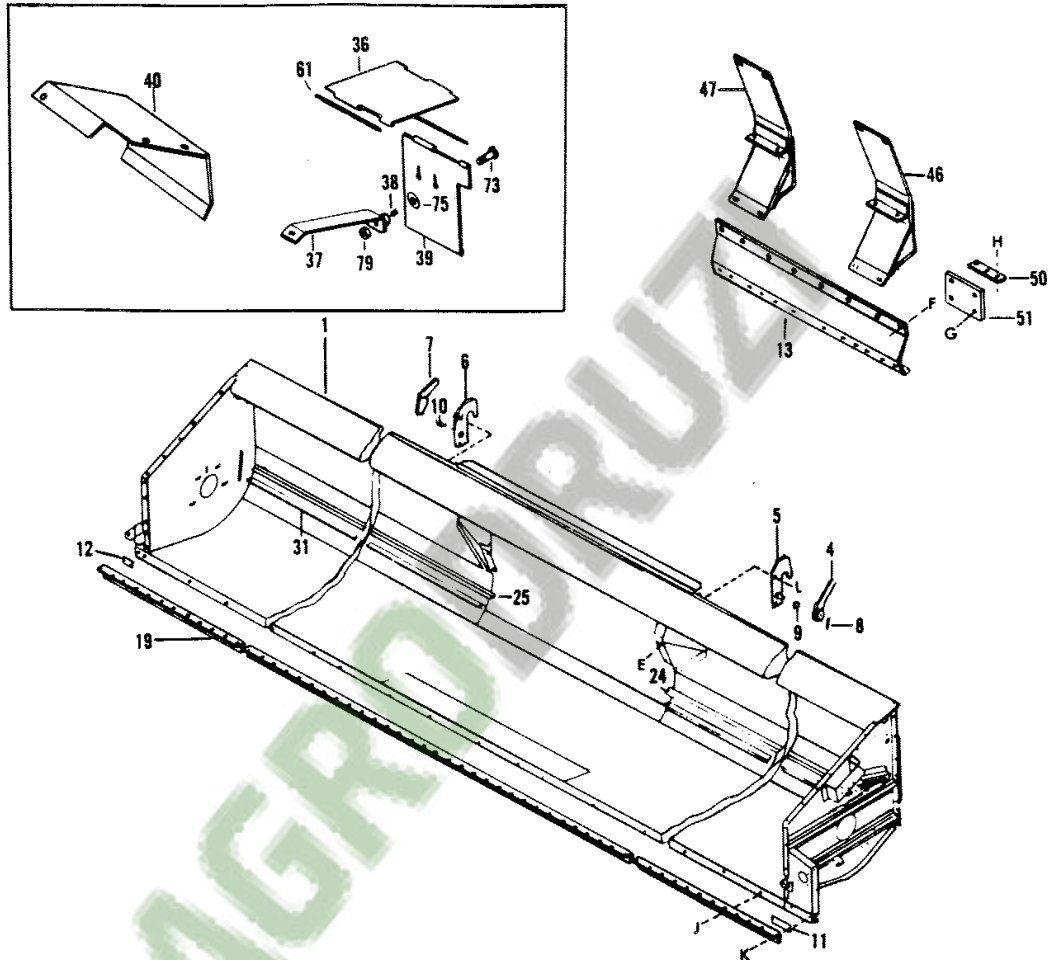
1st Print

651 331 M95 (Issue 1) 12/11

9A

TABLE

1696 373

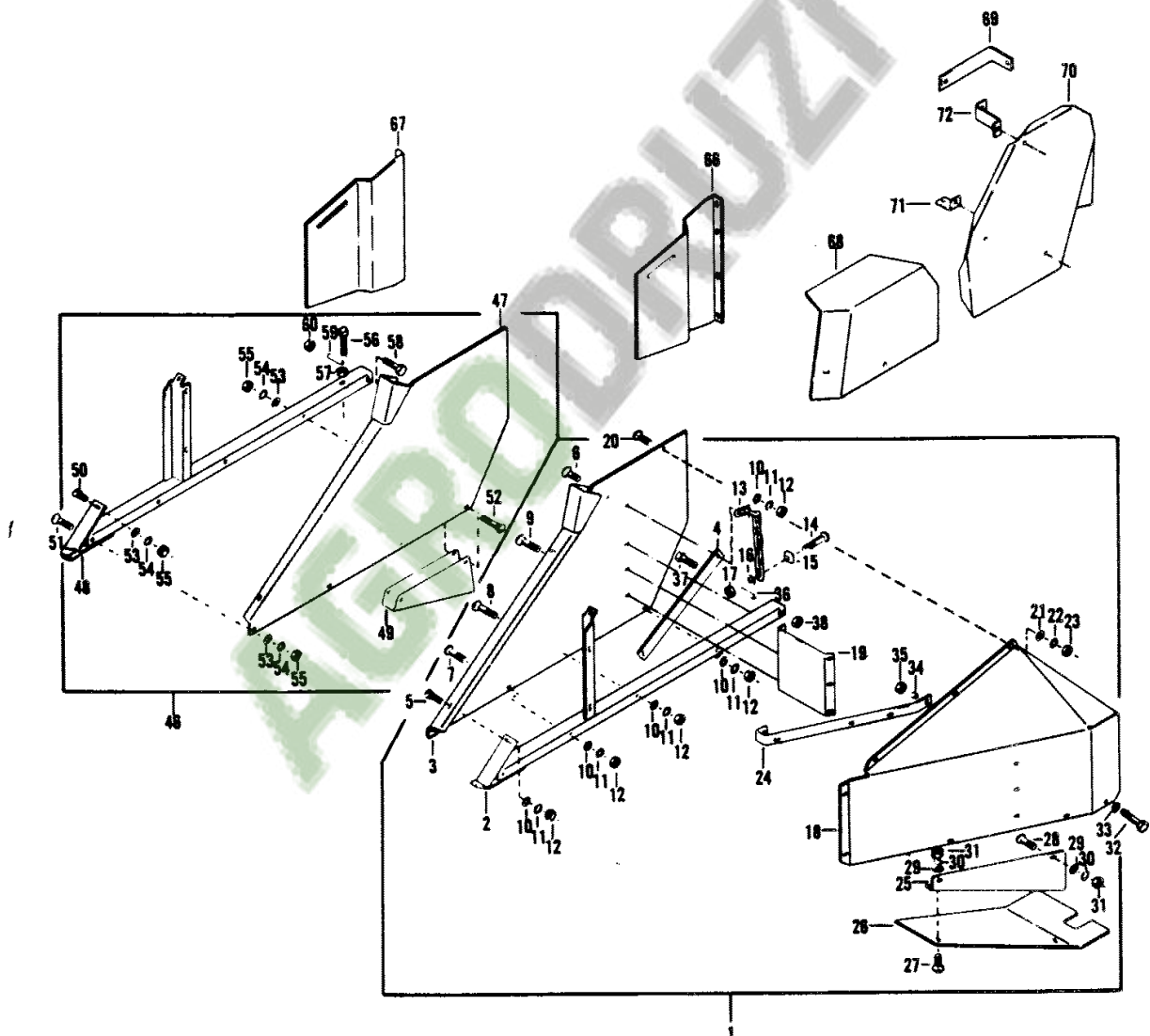


E	F	G	H	J	K	L
62	67	68	69	71	72	80
63	76	77	76	77	76	81
64	77	78	77	78	77	82
65	78		78		78	

9E

DIVIDERS AND SHIELDS

1696 374-1



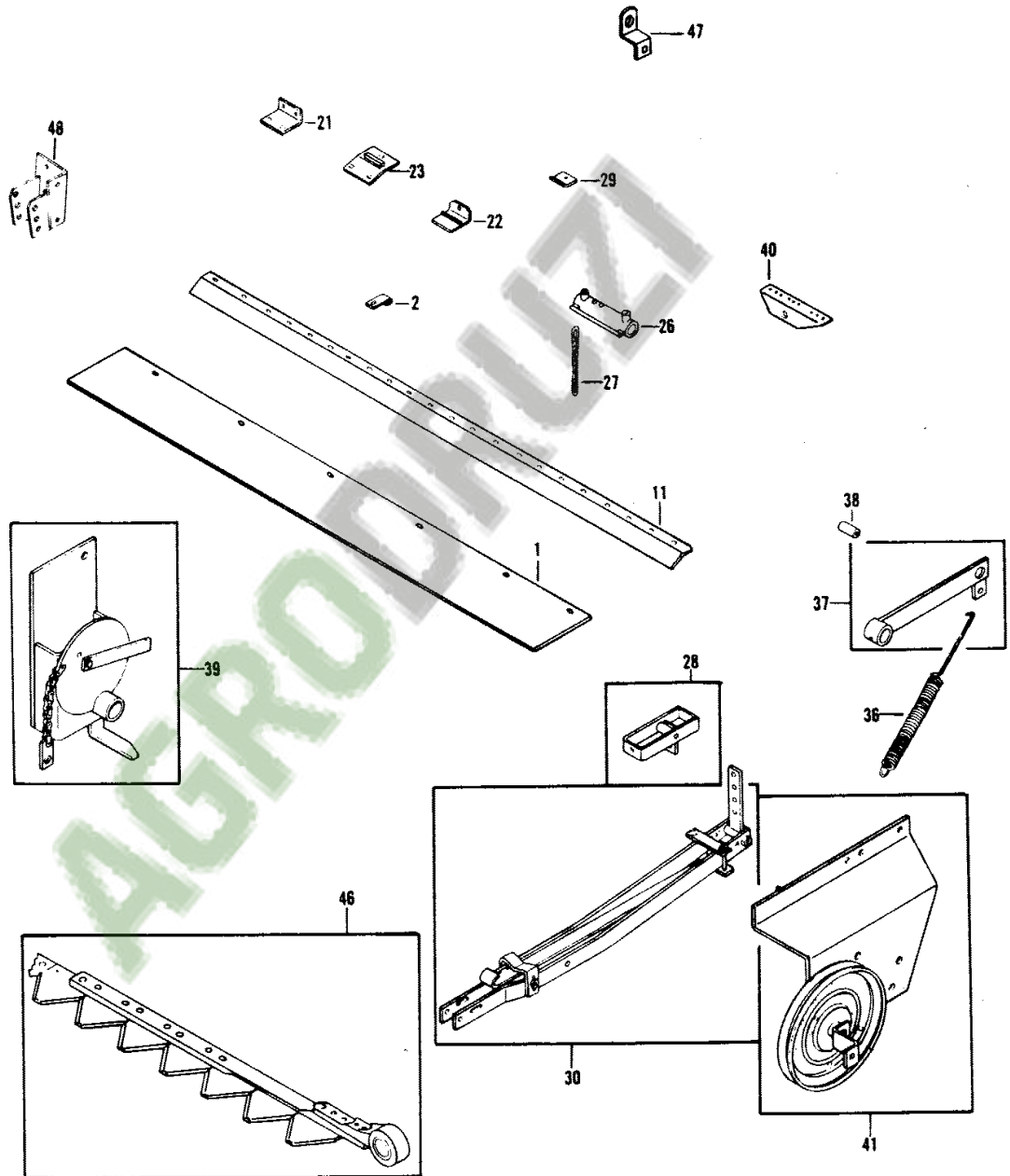
79-45

651 331 M95 (Issue 2) 5/79

SHIELDS, SUPPORTS, BRACKETS

9H

1696 375-2

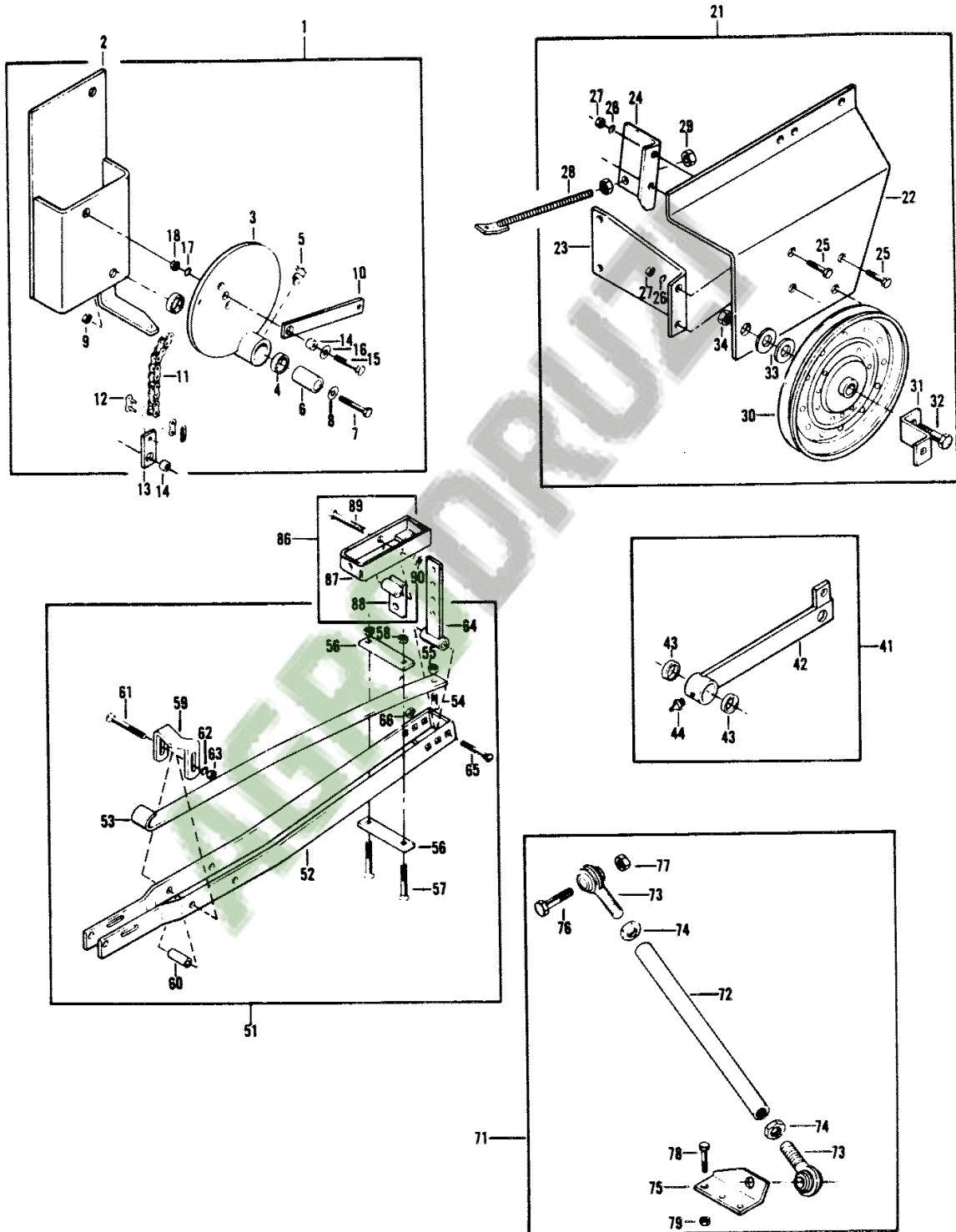


80-1

651 331 M95 (Issue 3) 11/75

9J  
1696 376

COUNTER BALANCE, ARM, IDLER, SPRING ASSEMBLY



79-16

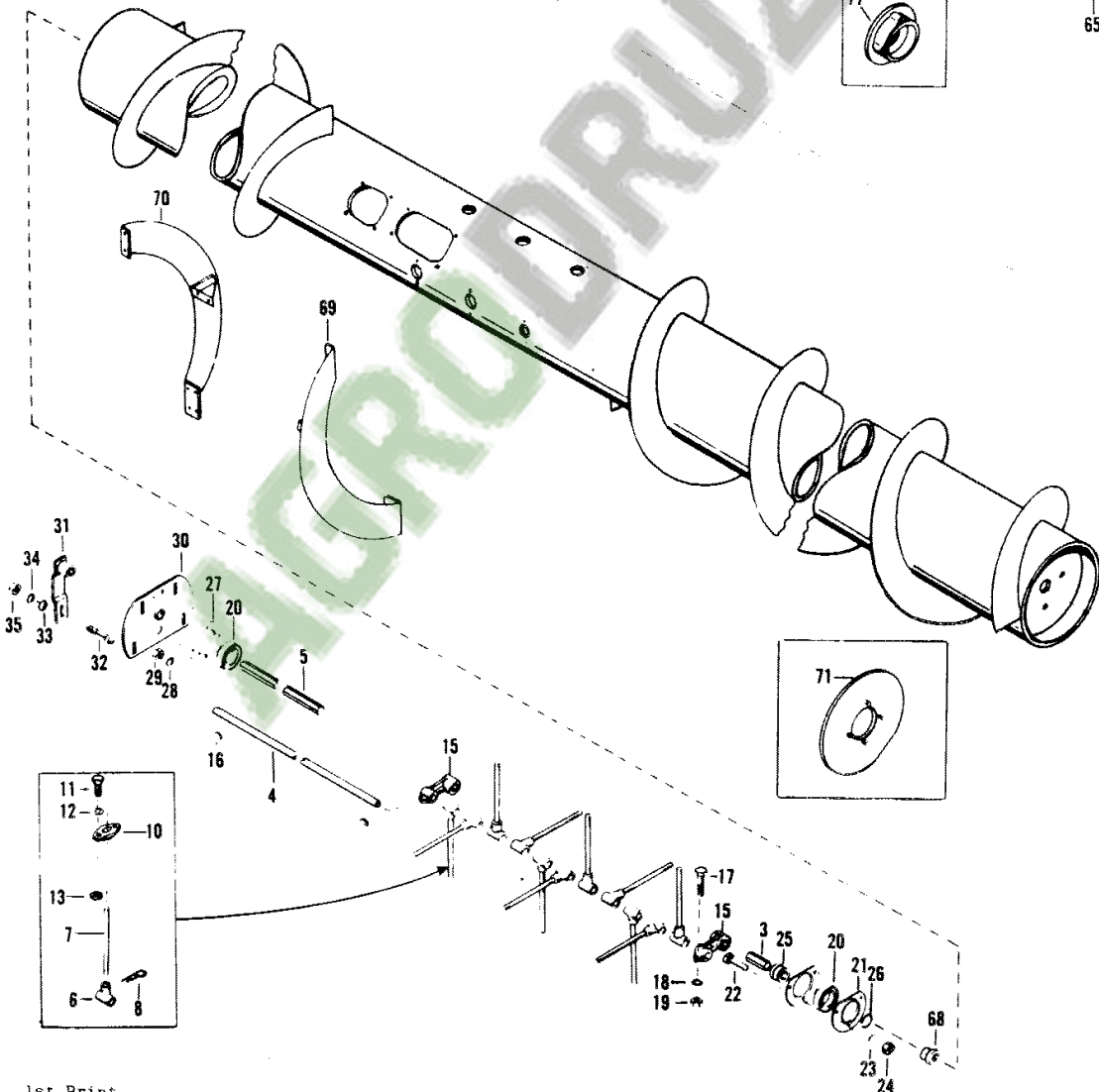
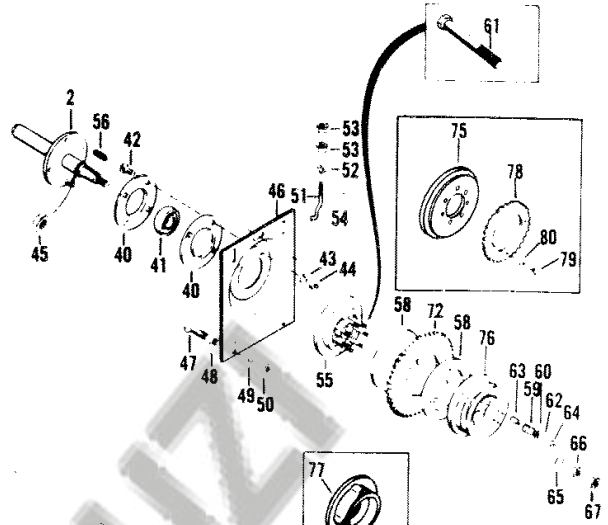
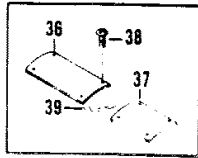
651 331 M95 (Issue 1) 2/79



10

AUGER

1696 005-2



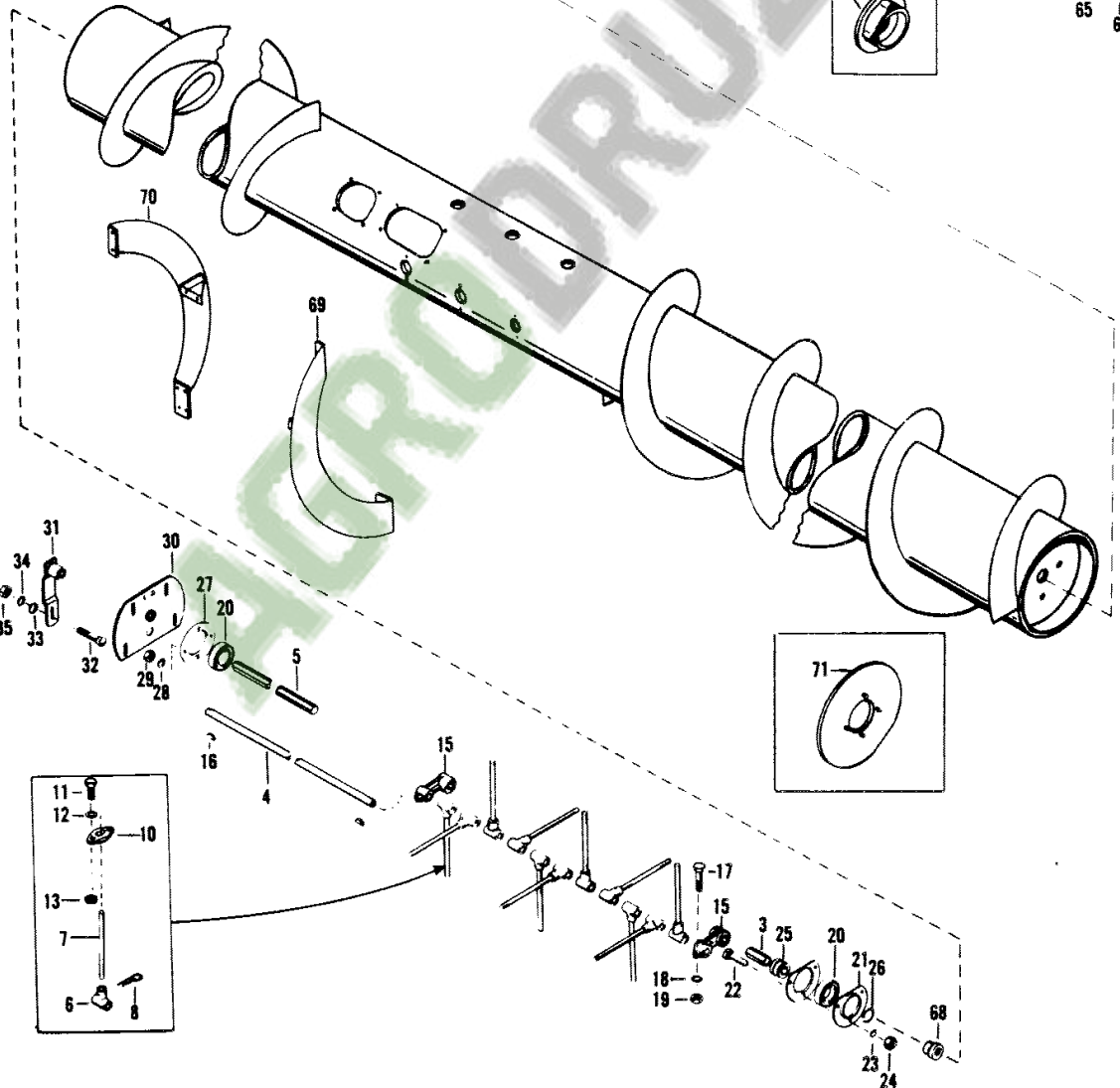
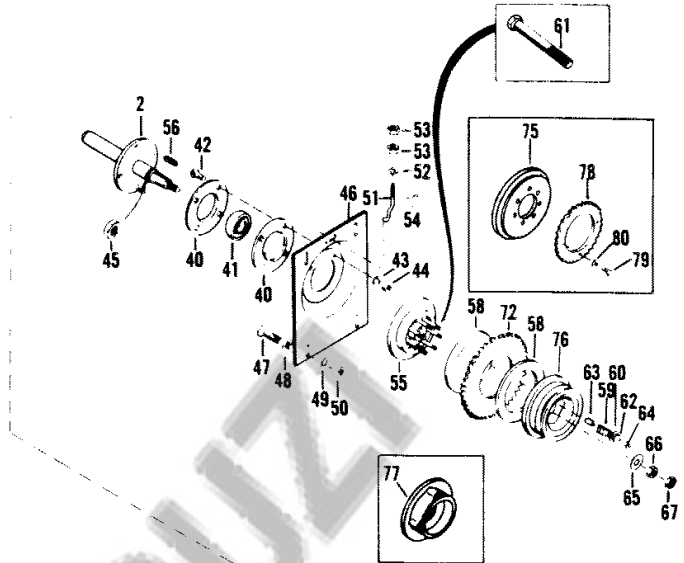
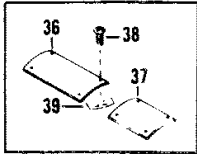
1st Print

651 331 M95 (Issue 1) 12/77

14

AUGER

1696 005-2



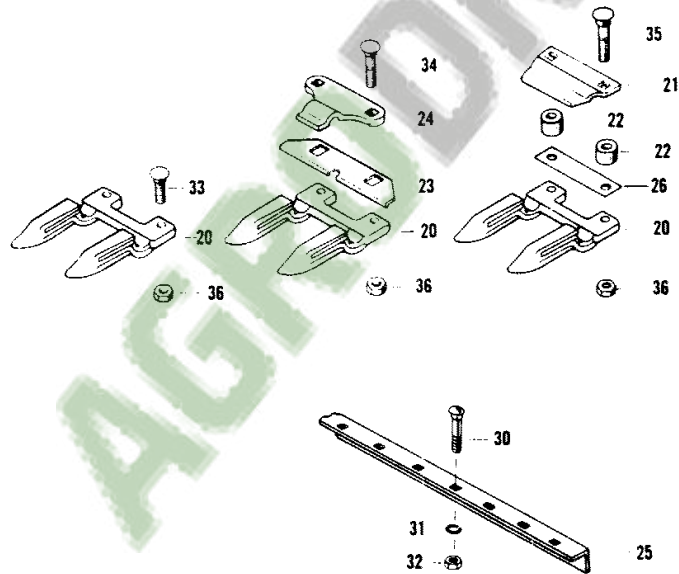
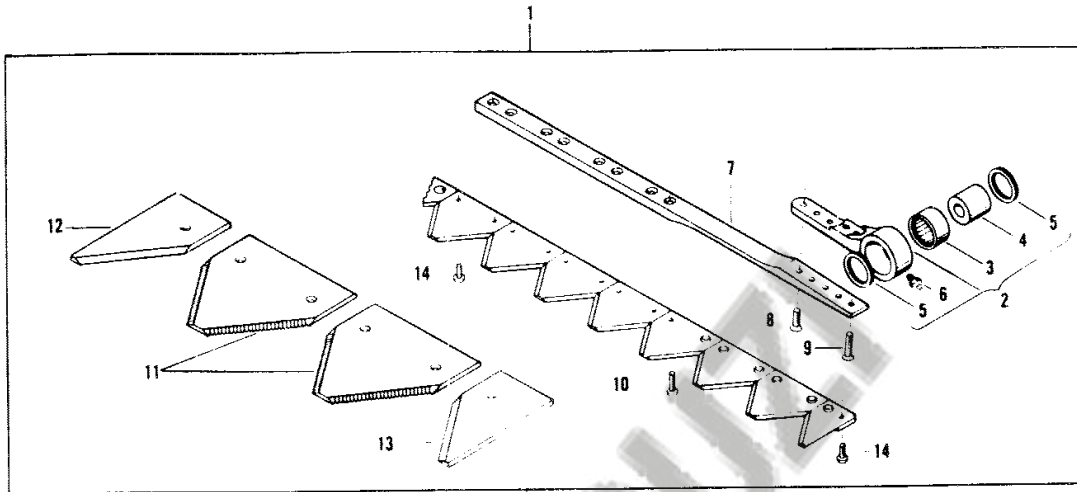
1st Print

651 331 M95 (Issue 1) 12/77

18

KNIFE

1696 006



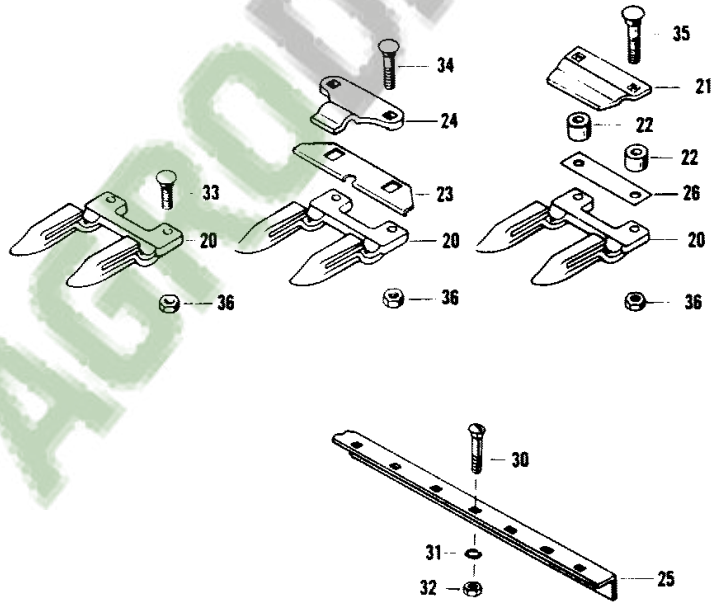
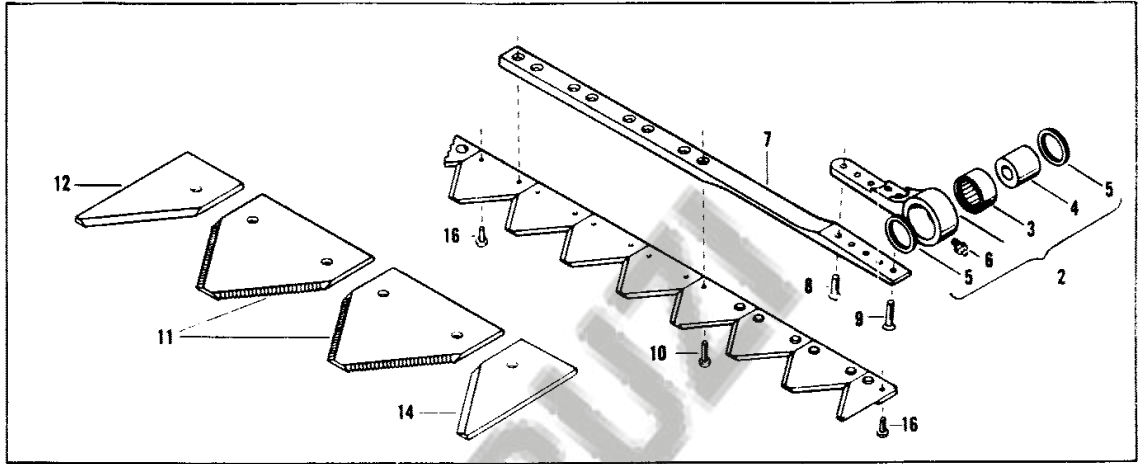
1st Print

651 331 M95 (Issue 1) 12/77

KNIFE

21

1696 007-1



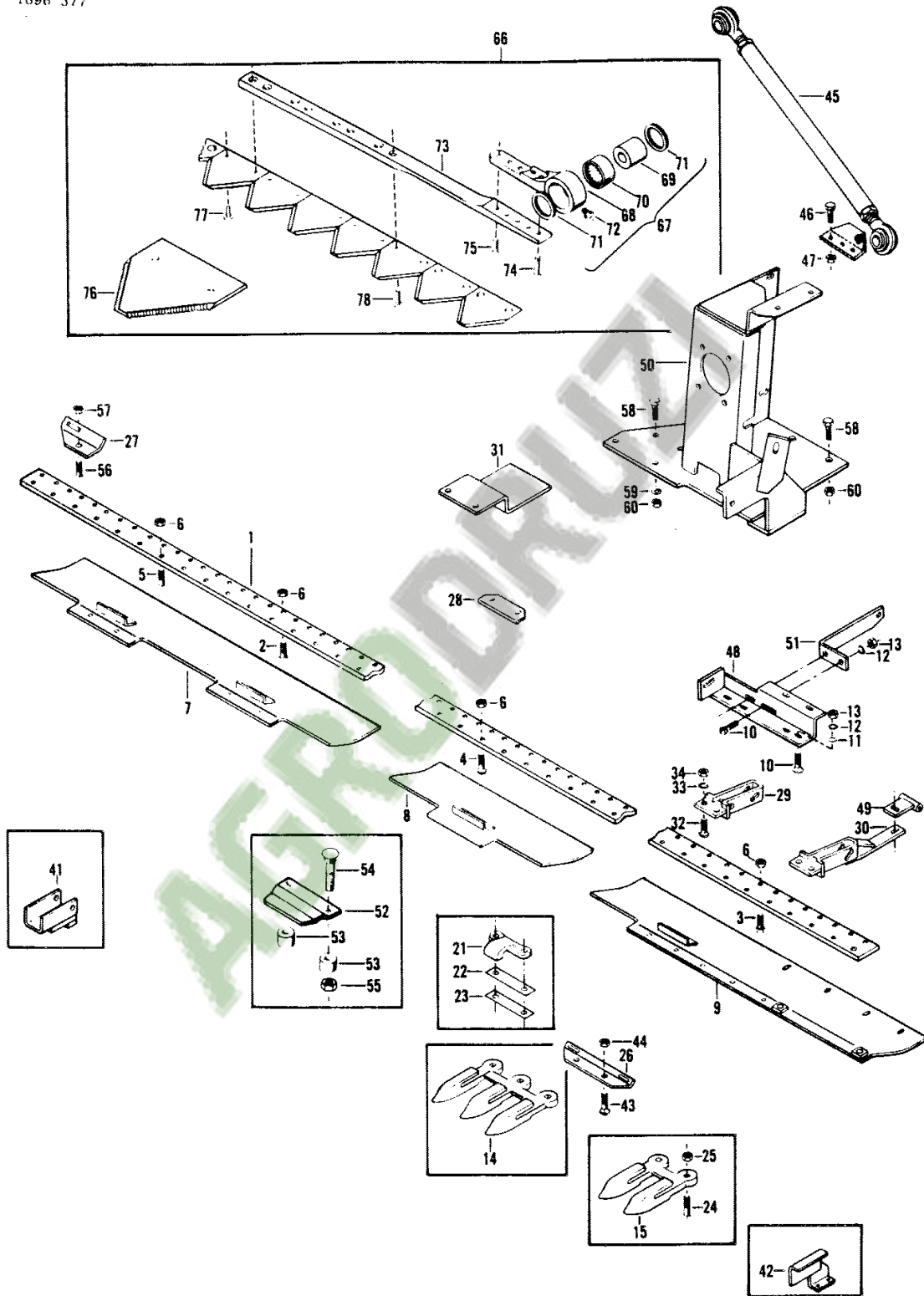
1st Print

651 331 M95 (Issue 1) 12/75

21A

1696 377

CUTTER BAR



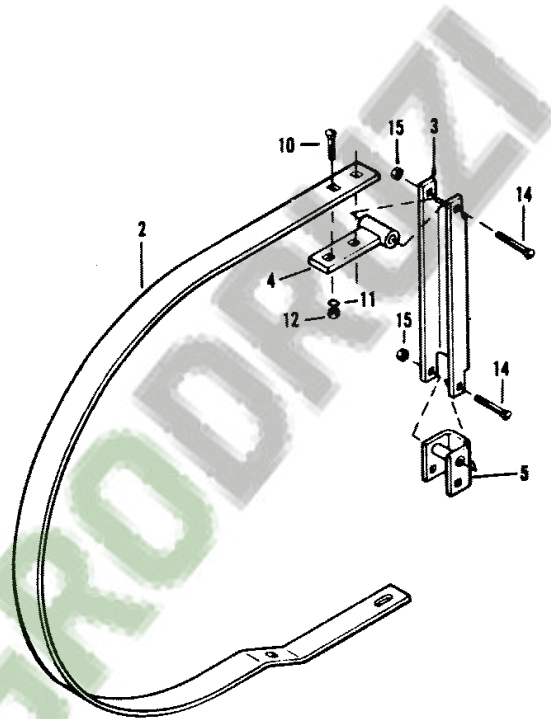
79-16

651 331 M95 (Issue 1) 2/79

LOOP DIVIDER, FLOATING DIVIDER

21D

1696 452



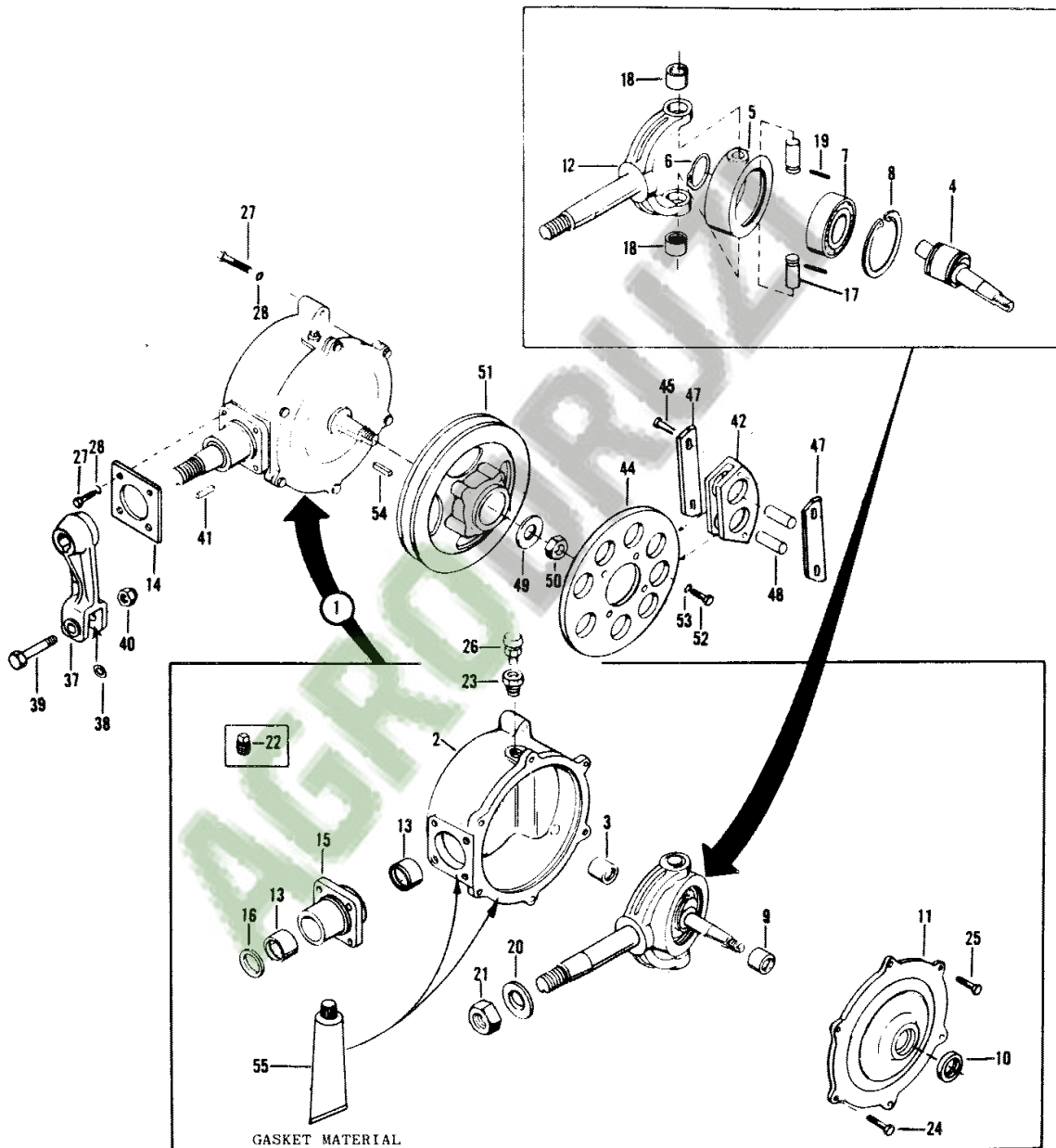
80-1

651 331 M95 (Issue 2) 11/79

22

WOBBLE KNIFE DRIVE

1696 252-2



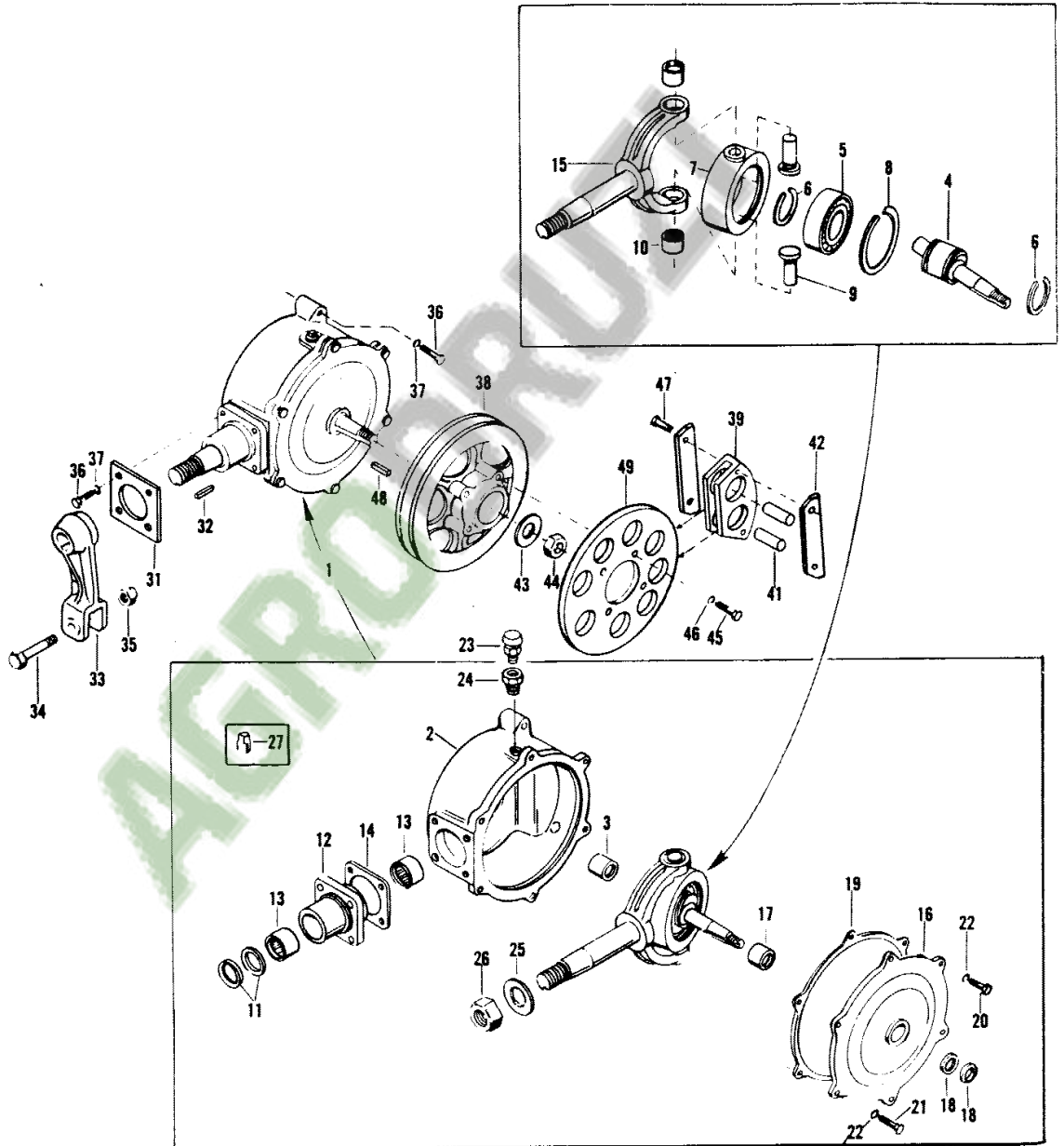
80-1

651 331 M95 (Issue 3) 11/79

WOBBLE KNIFE DRIVE

25

1696 008



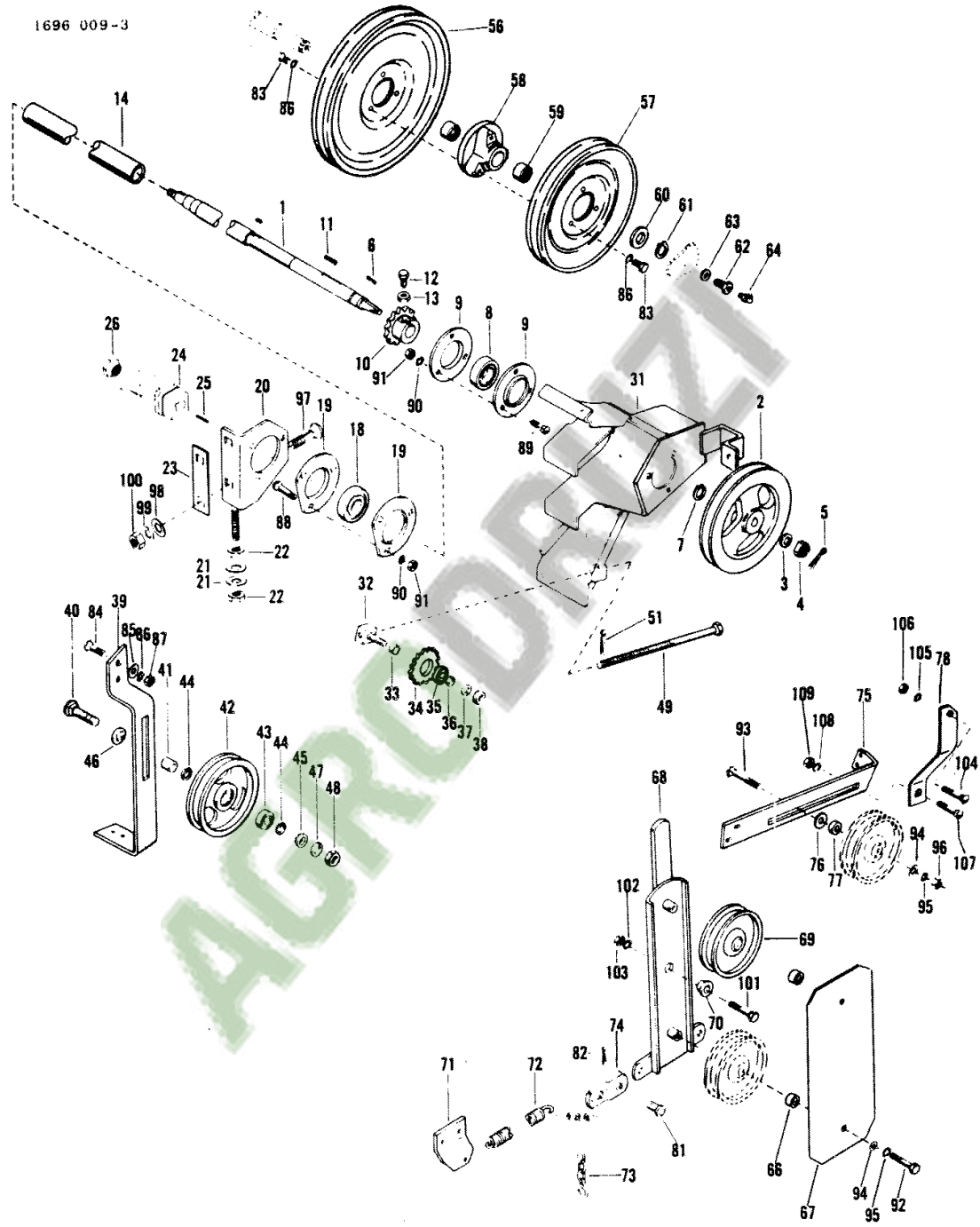
1st Print

651 331 M95 (Issue 1) 12/77



2b

DRIVE, TABLE AND REEL



1st Print

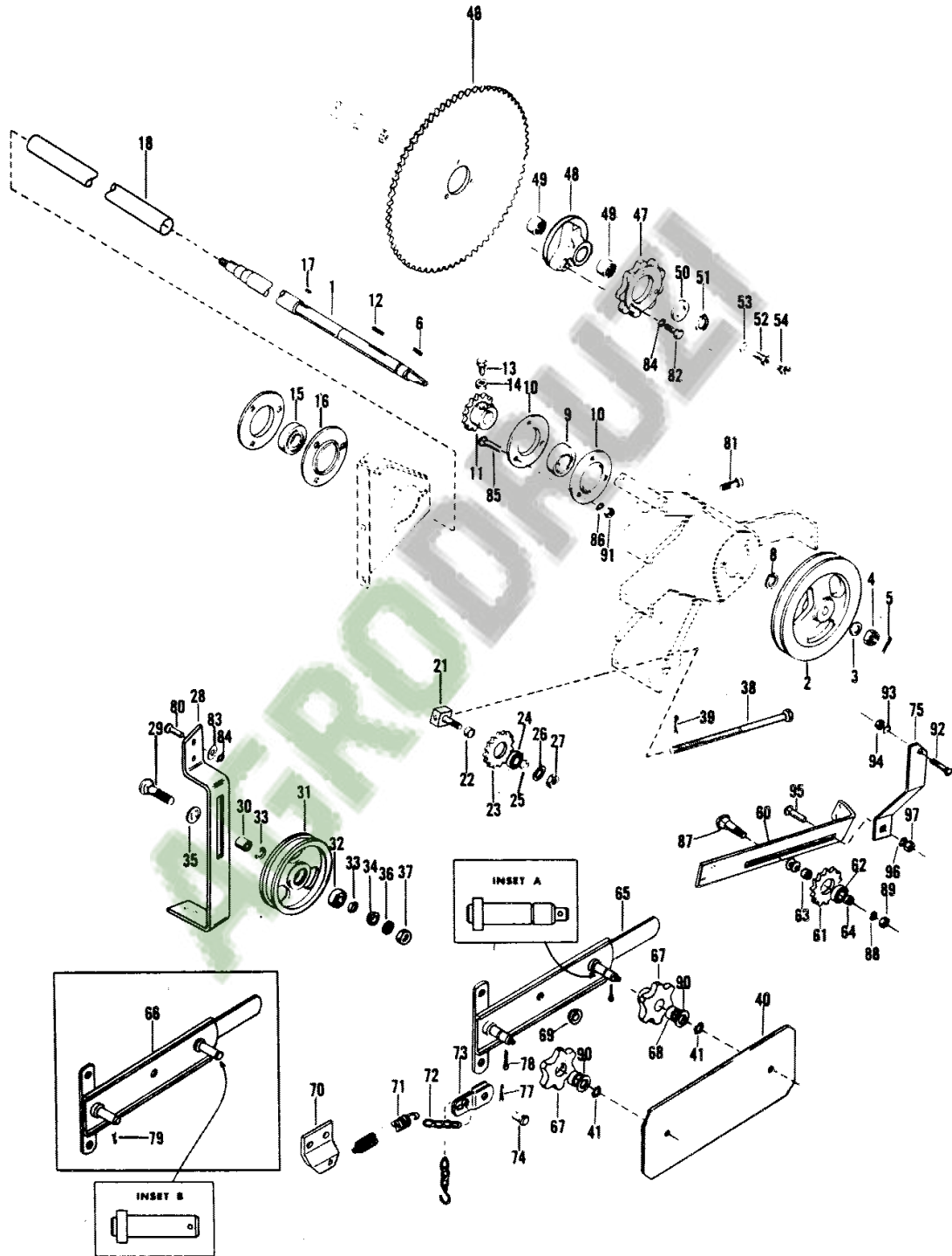
651 331 M95 (Issue 1) 12/77



34

DRIVE, TABLE AND REEL

1696 011-2



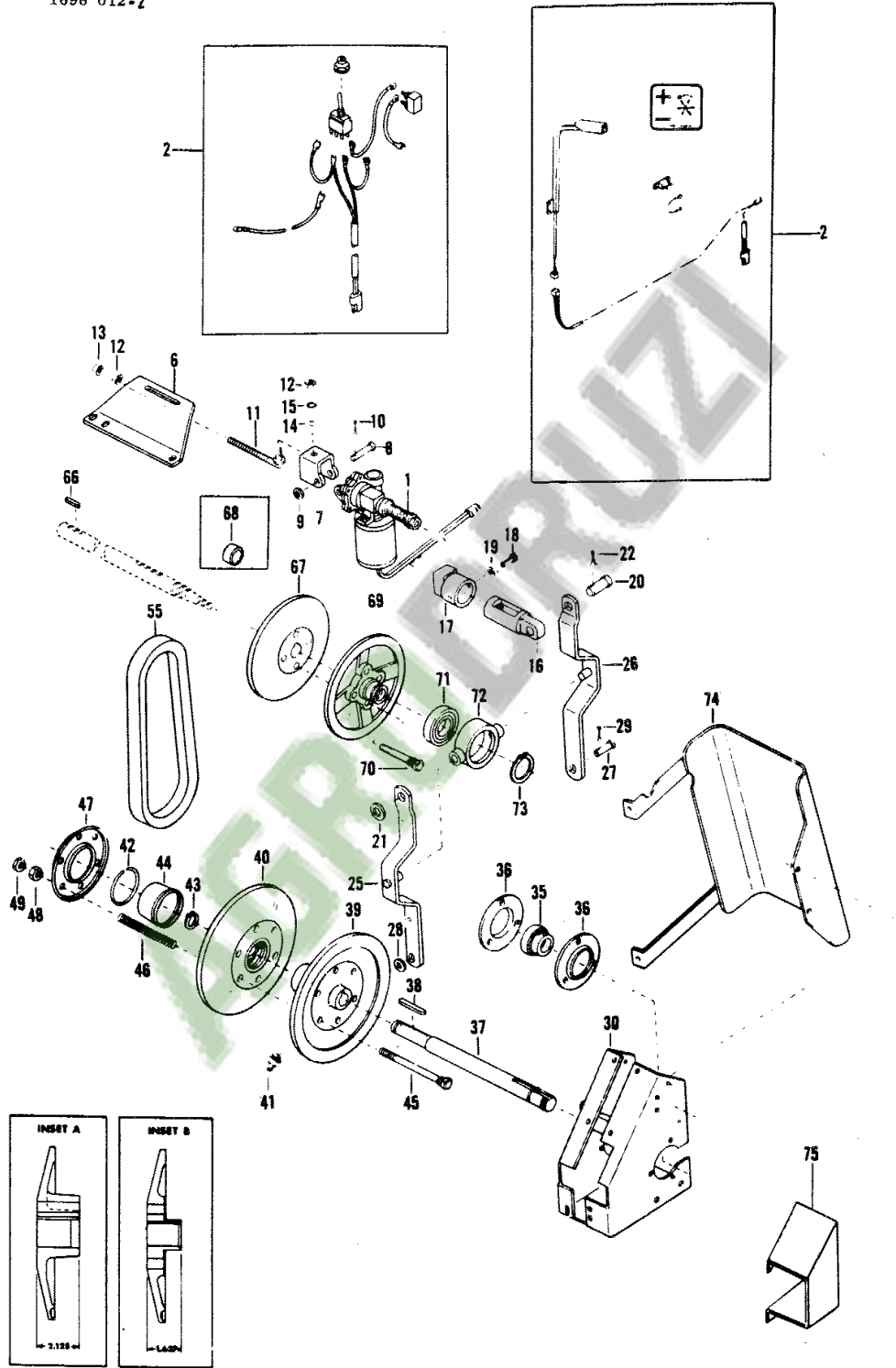
1st Print

651 331 M95 (Issue 1) 12/77

38

ELECTRIC VARIABLE SPEED PICK-UP REEL DRIVE

1696 012-2

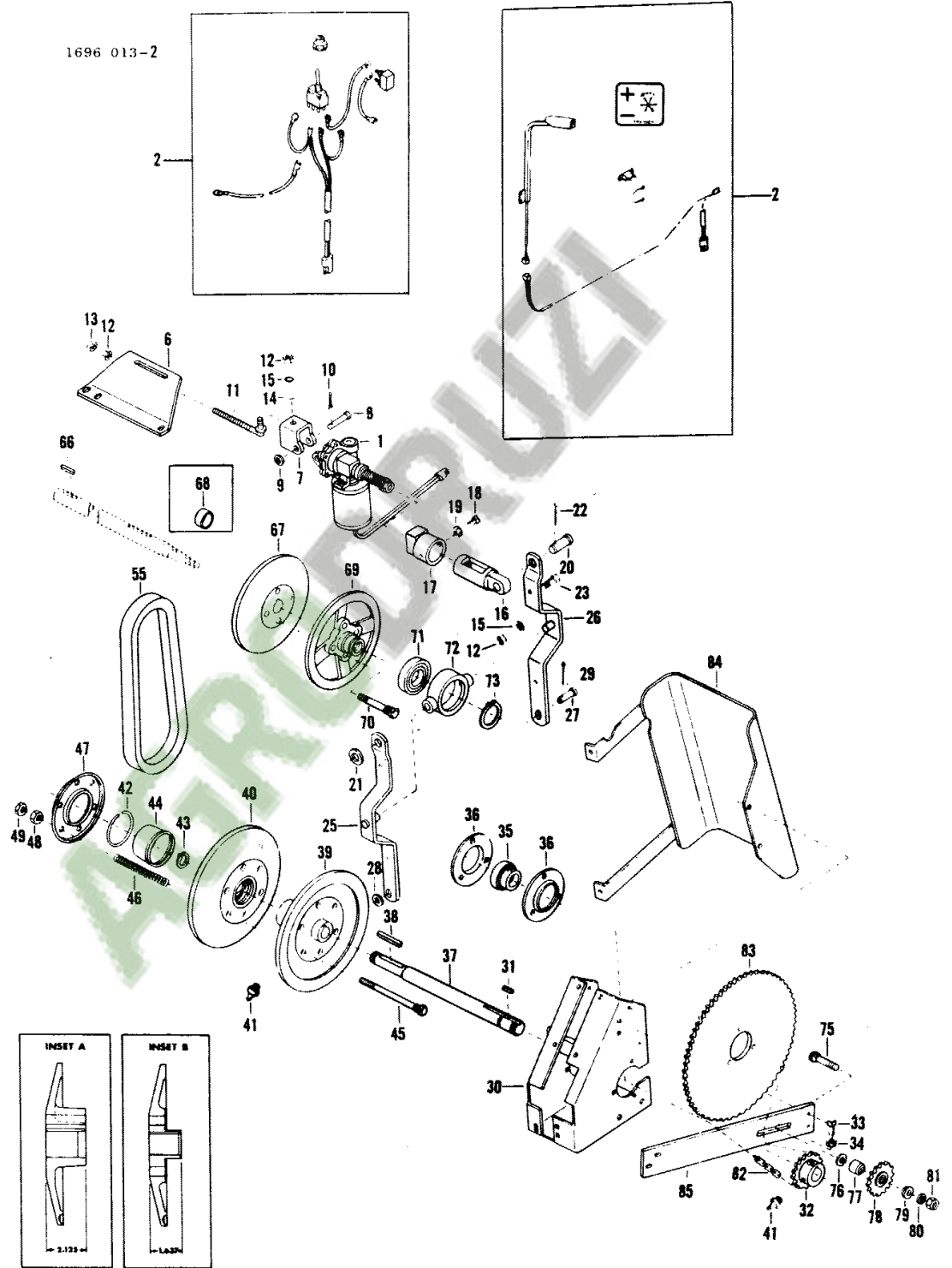


79-16

651 331 M95 (Issue 2) 2/79

ELECTRICAL VARIABLE SPEED REEL DRIVE

41



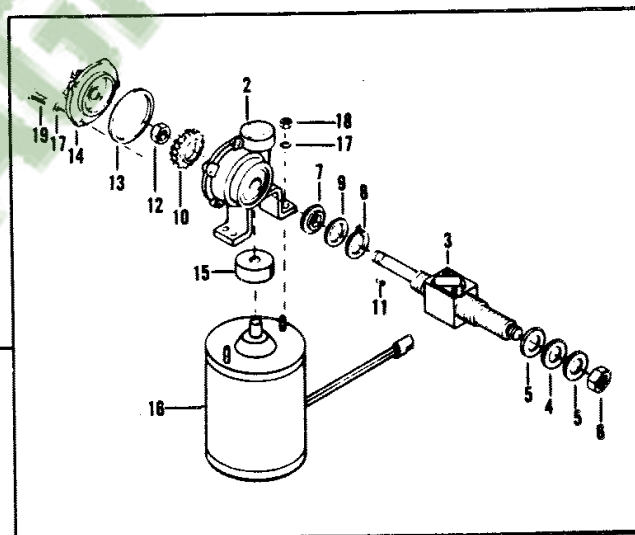
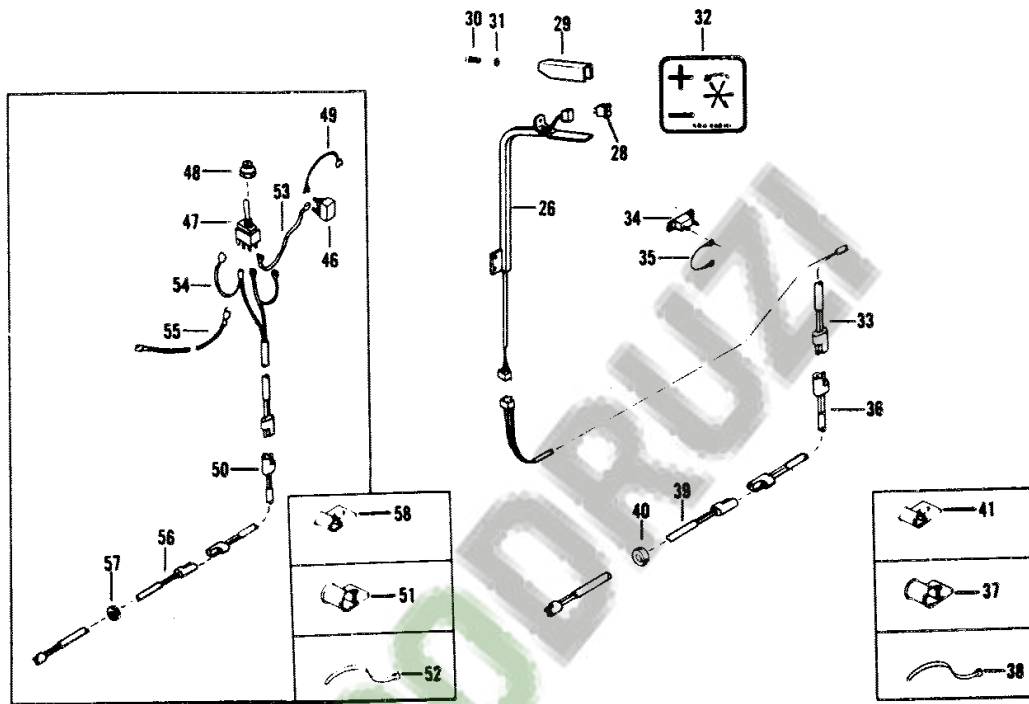
79-16

651 331 M95 (Issue 2) 2/07

42

ELECTRIC MOTOR AND WIRING

1696 253



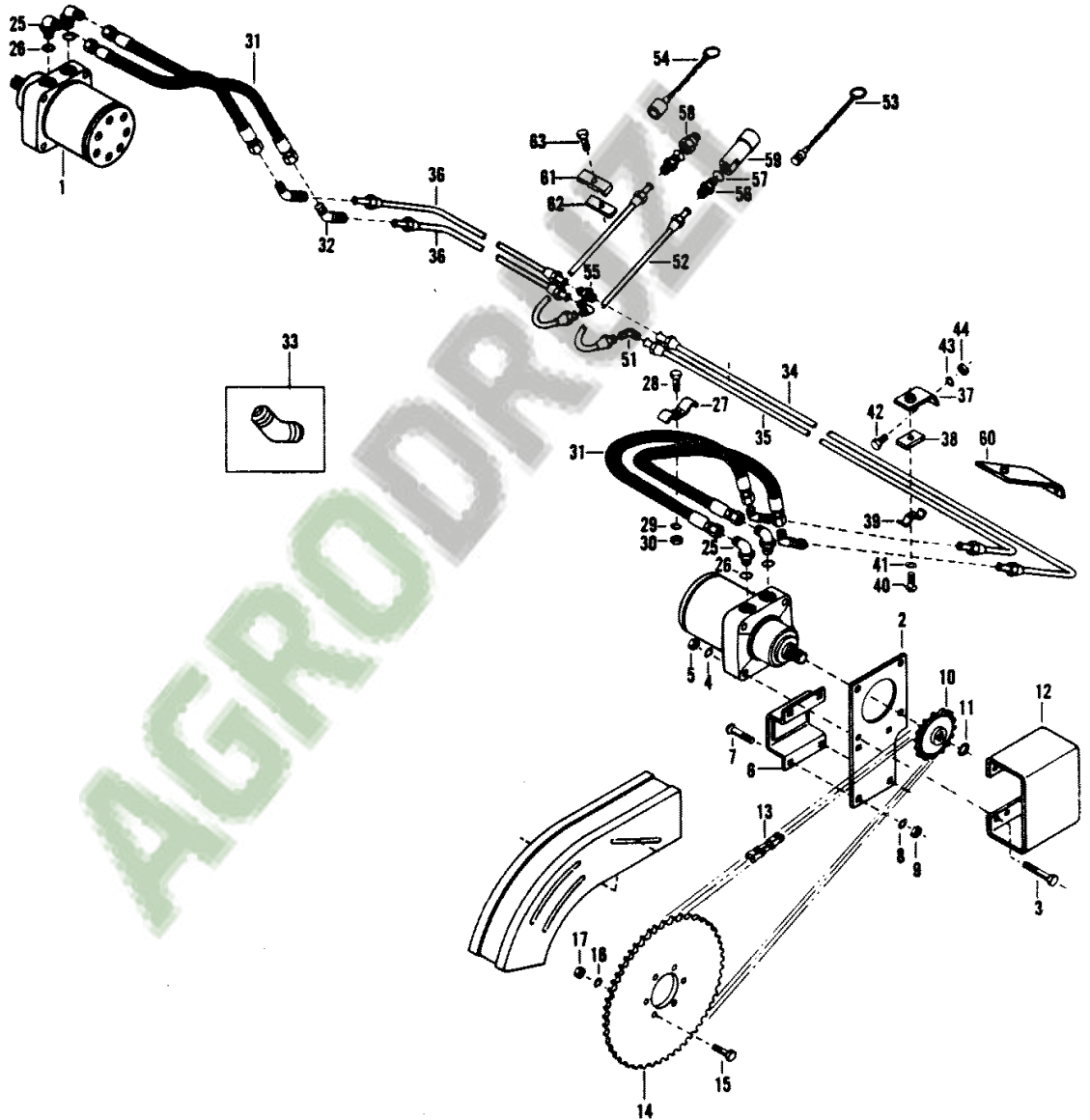
79-16

651 331 M95 (Issue 2) 2/79

HYDROSTATIC REEL DRIVE HYDRAULICS

45

1696 215-2



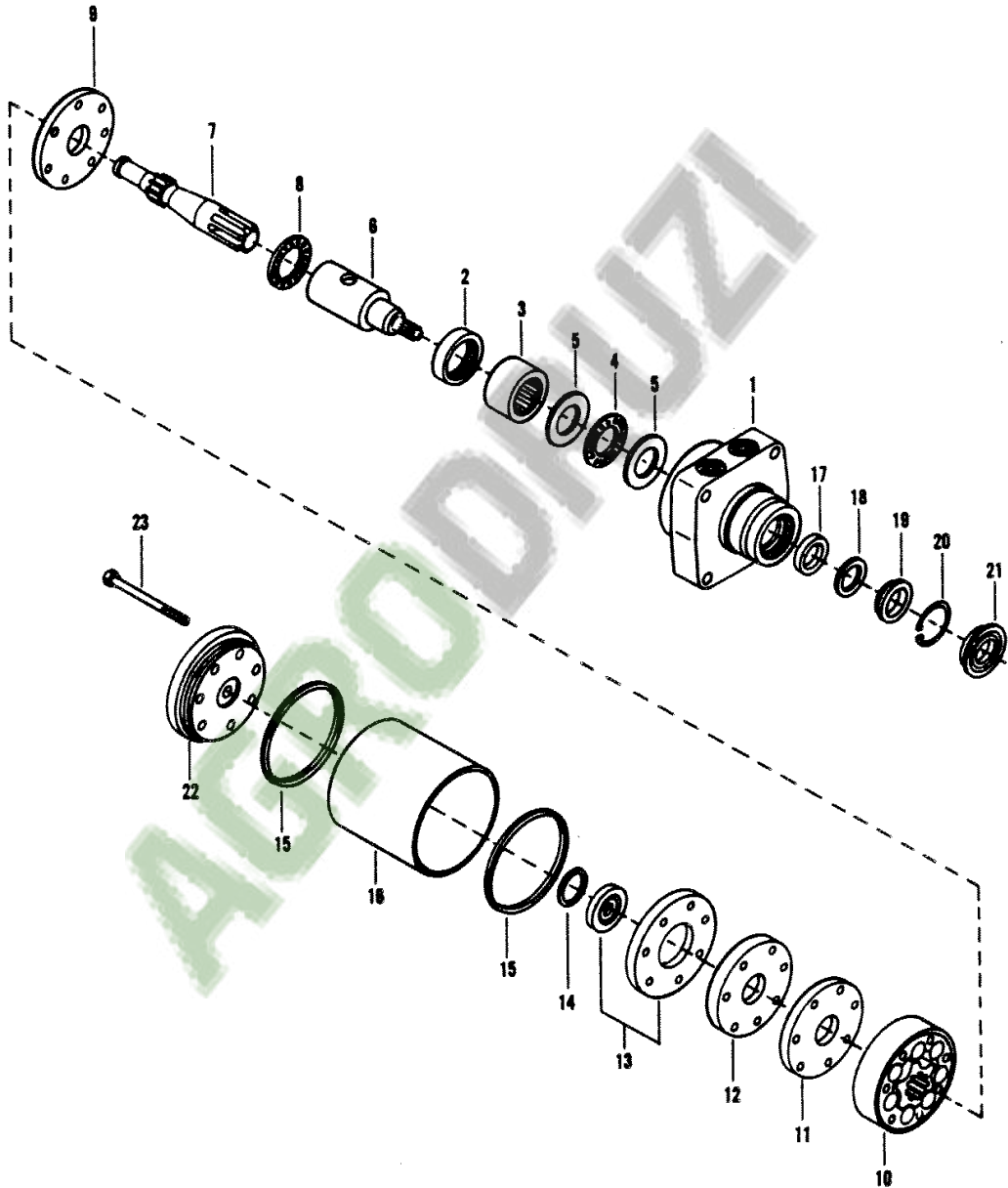
1st Print

651 331 M95 (Issue 1) 12/77

46

HYDRAULIC MOTOR

1696 208



1st Print

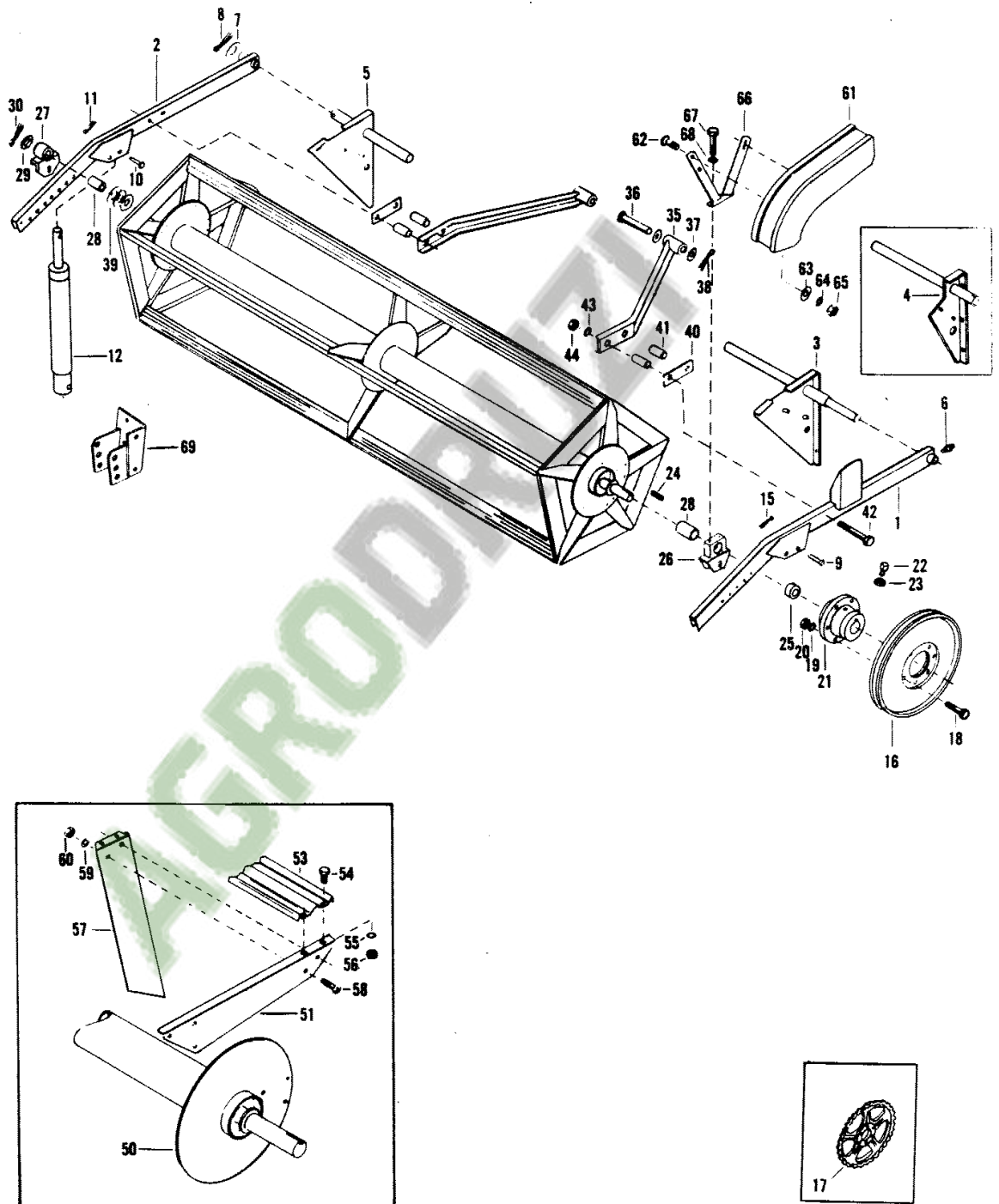
651 331 M05 (Issue 1) 12/77



REEL AND SUPPORTS

49

1696 014-4



80-1

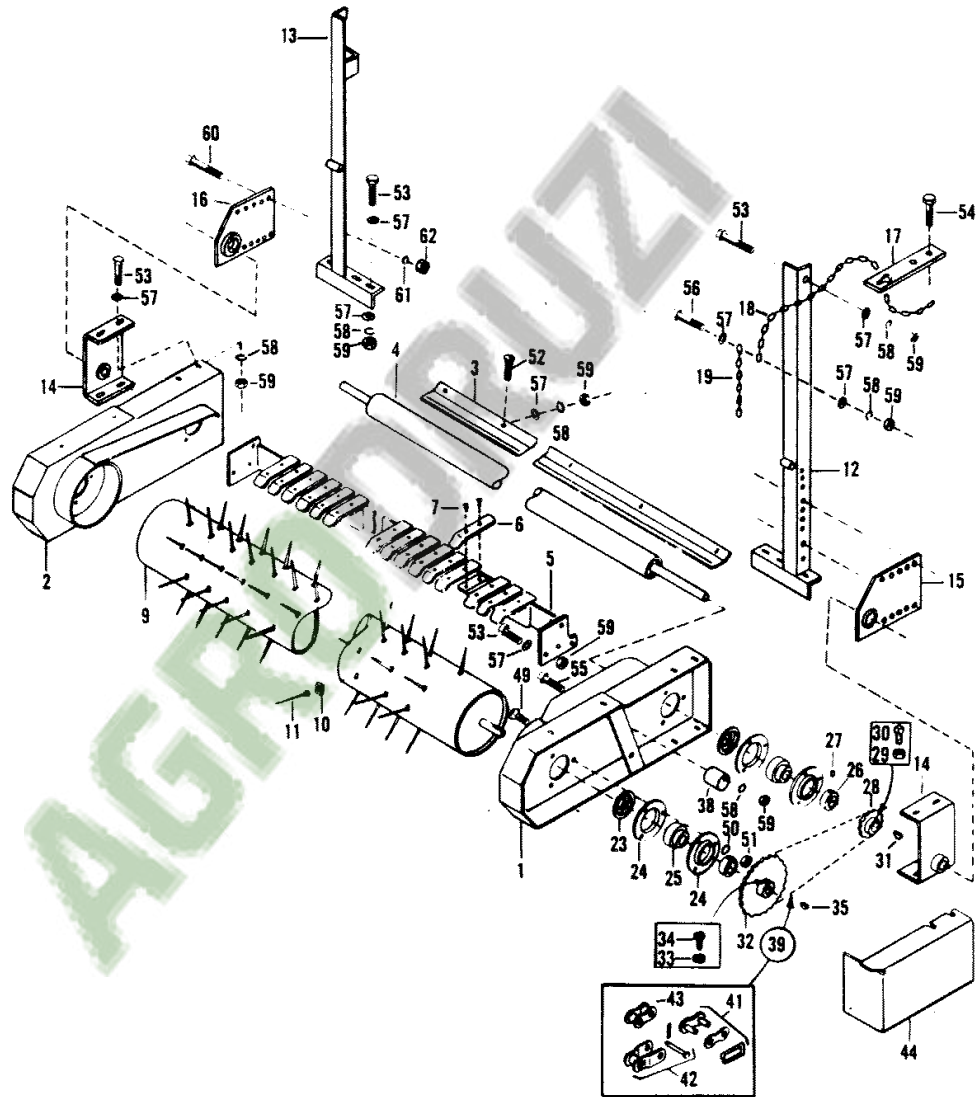
651 331 M95 (Issue 2) 11/79



MF 67 PICK-UP (DRUM)

53

1696 247-2



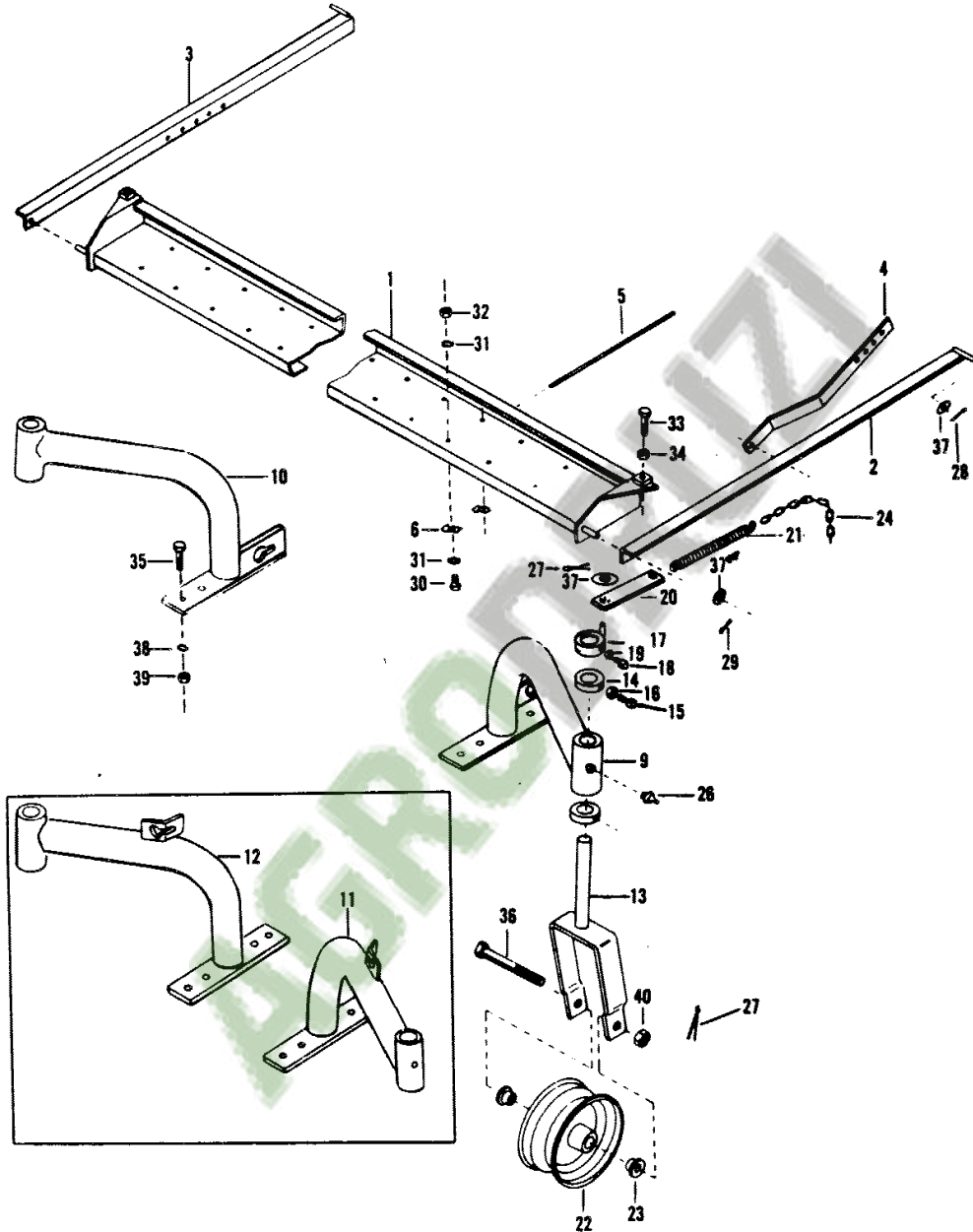
79-16

651 331 M95 (Issue 2) 2/7

54

MF 67 PICK-UP (DRUM)

1696 248-2



79-16

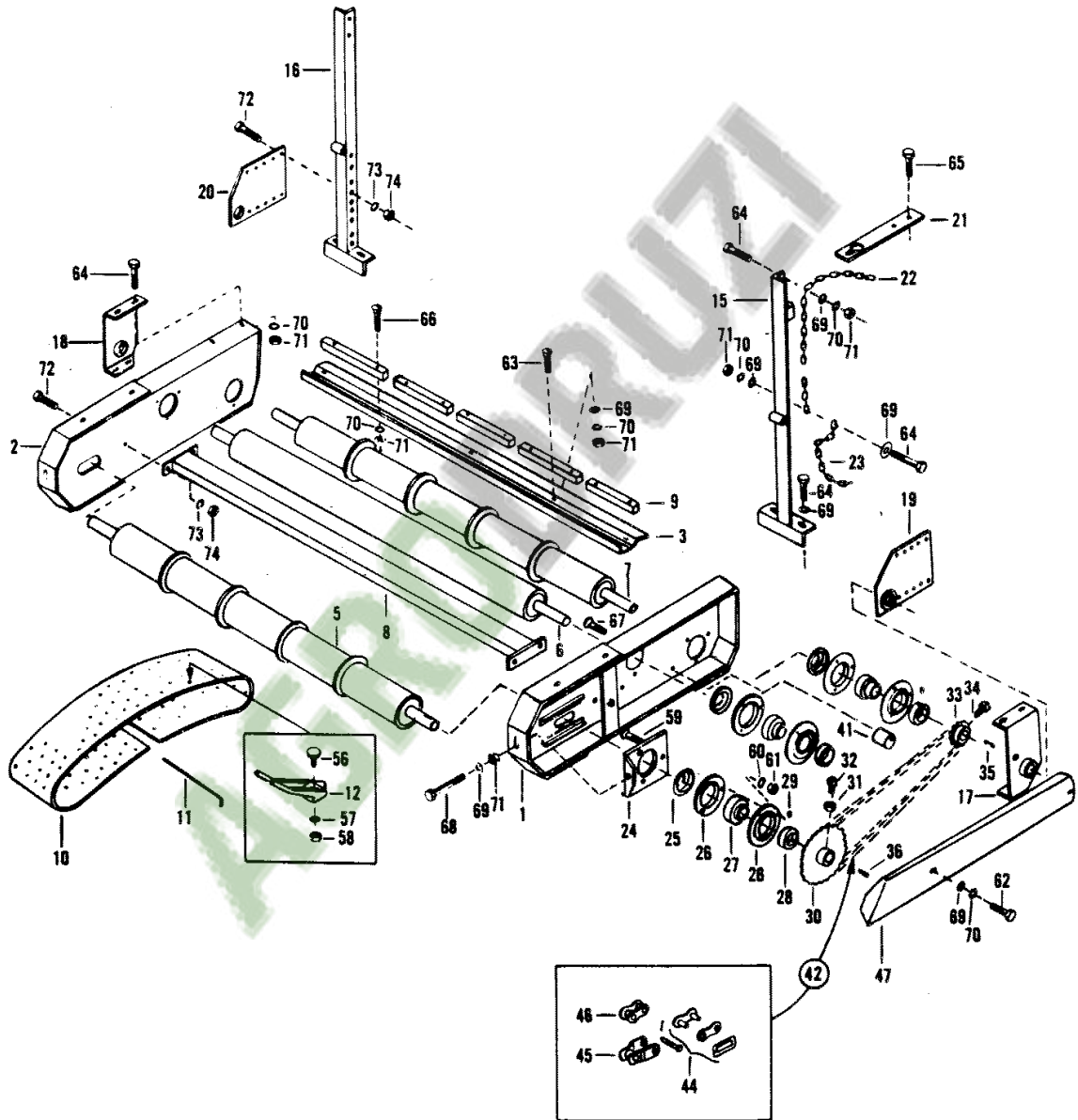
651 331 M95 (Issue 2) 2/79



58

MF 67 PICK-UP (DRAPER)

1696 292-3



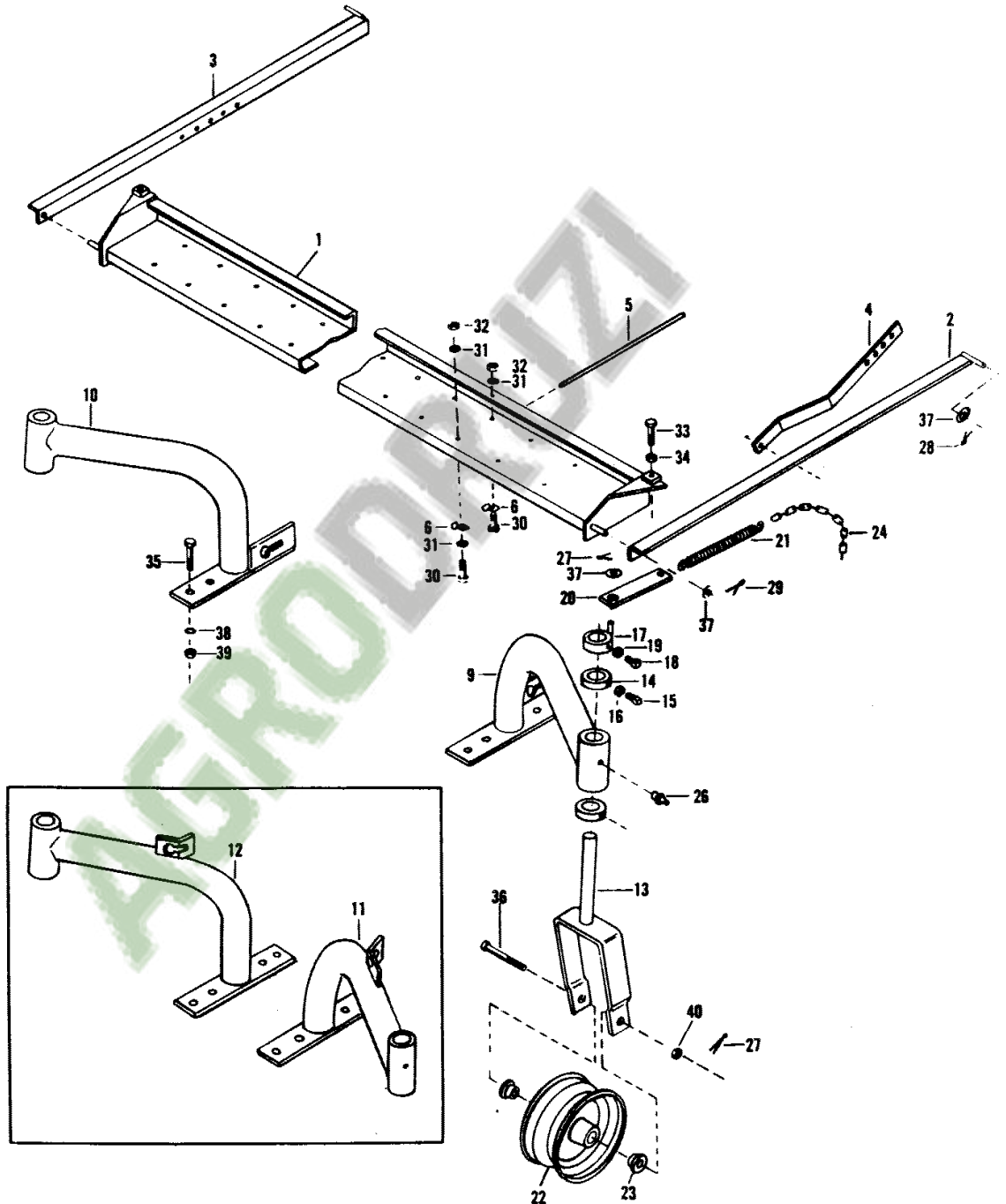
79-16

651 331 M95 (Issue 3) 2/79

MF 67 PICK-UP (DRAPER)

61

1696 293-1



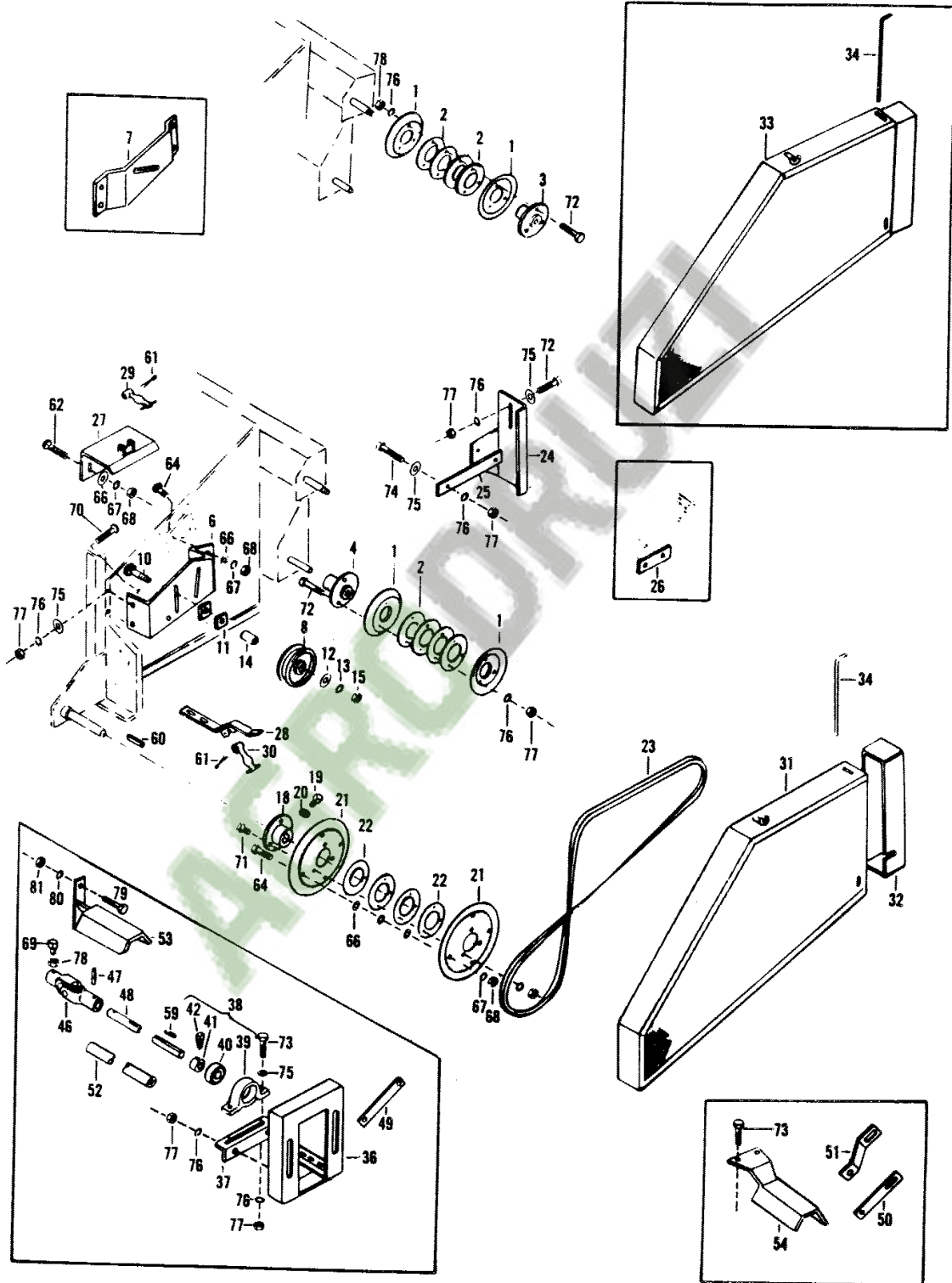
79-16

851 331 M95 (Issue 2) 2/77

62

MF 67 PICK-UP (DRAPER)

1696 294-1



79-16

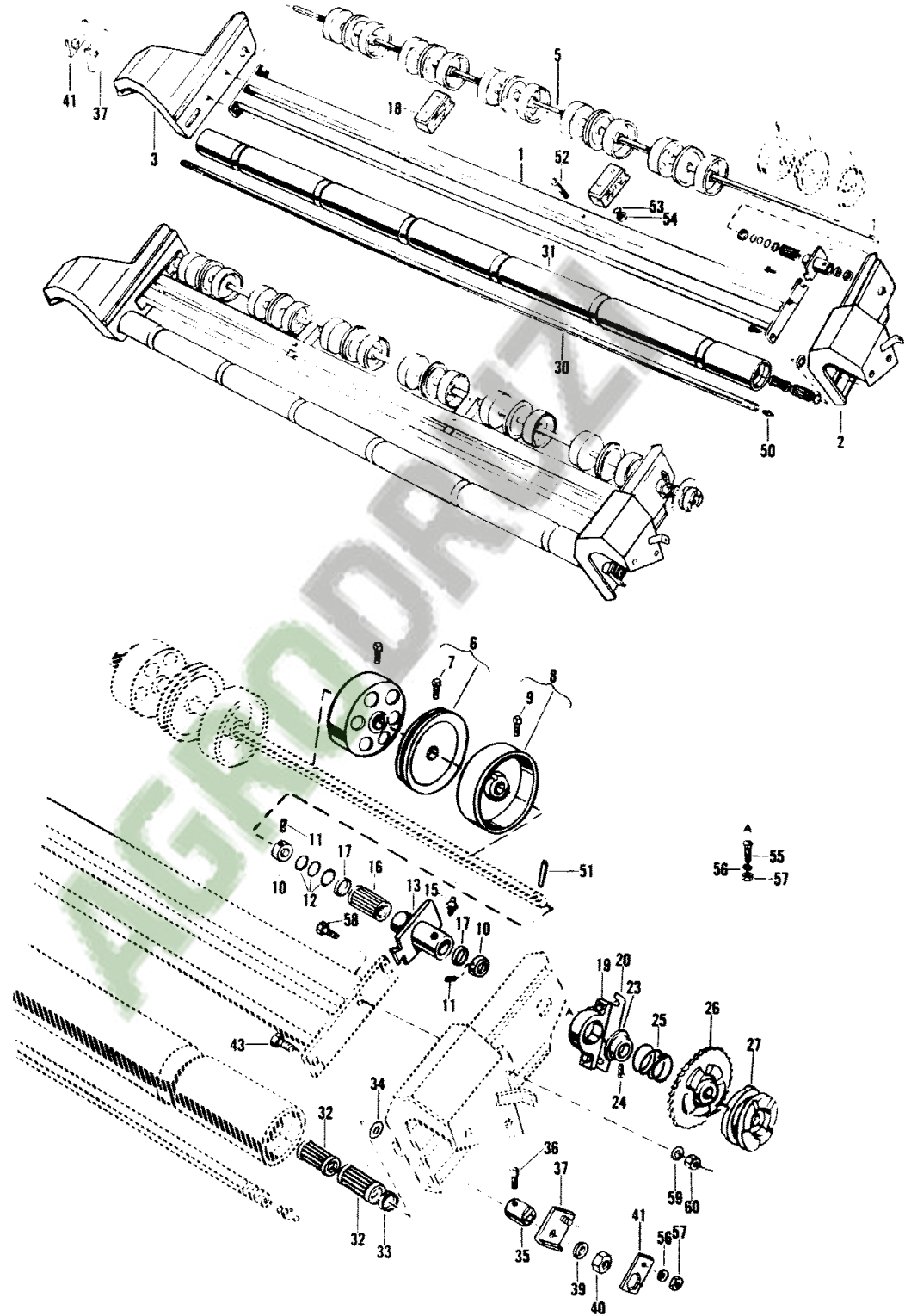
651 331 M95 (Issue 2) 2/79



MF 61 PICK-UP

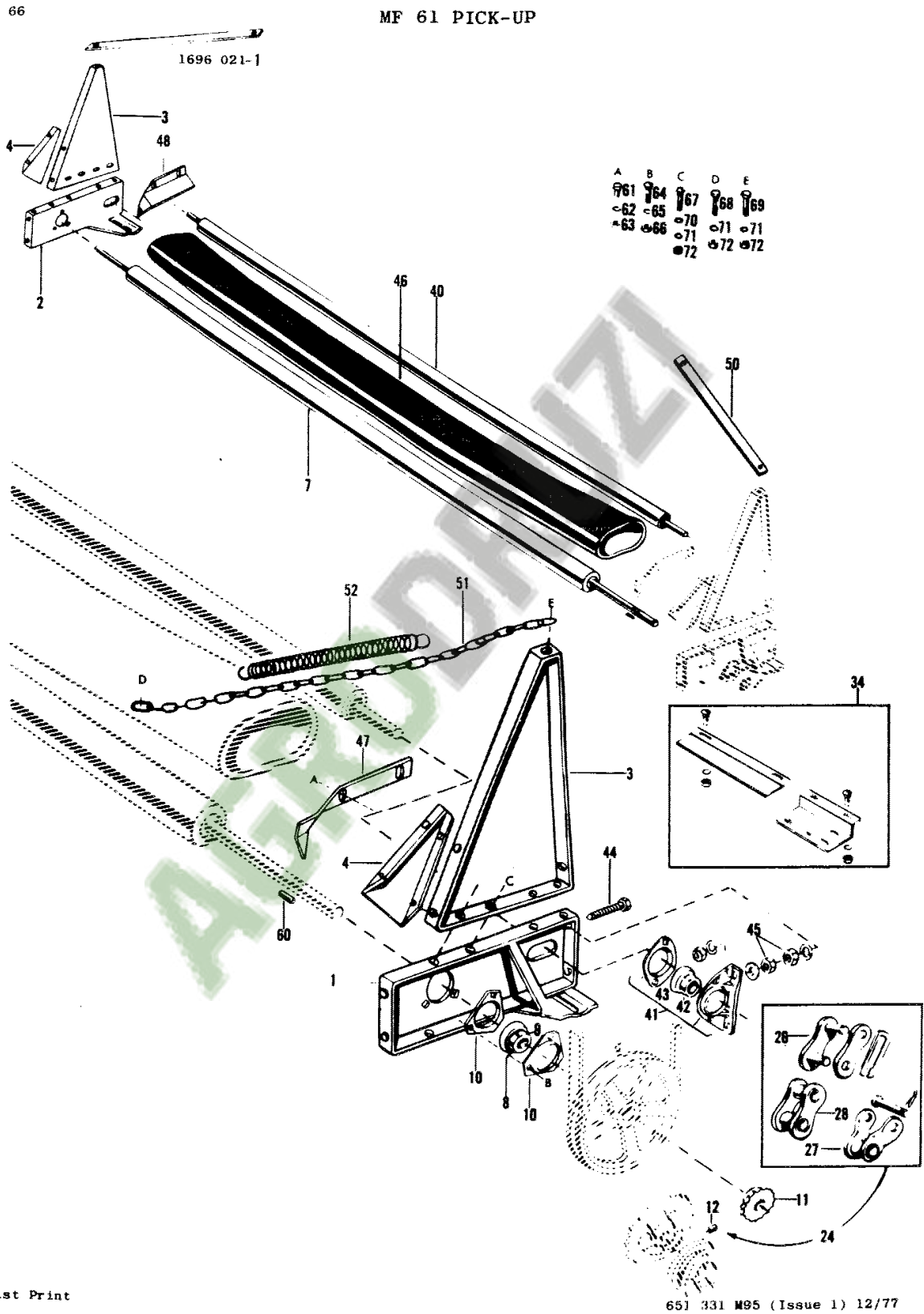
65

1696 020-1



1st Print

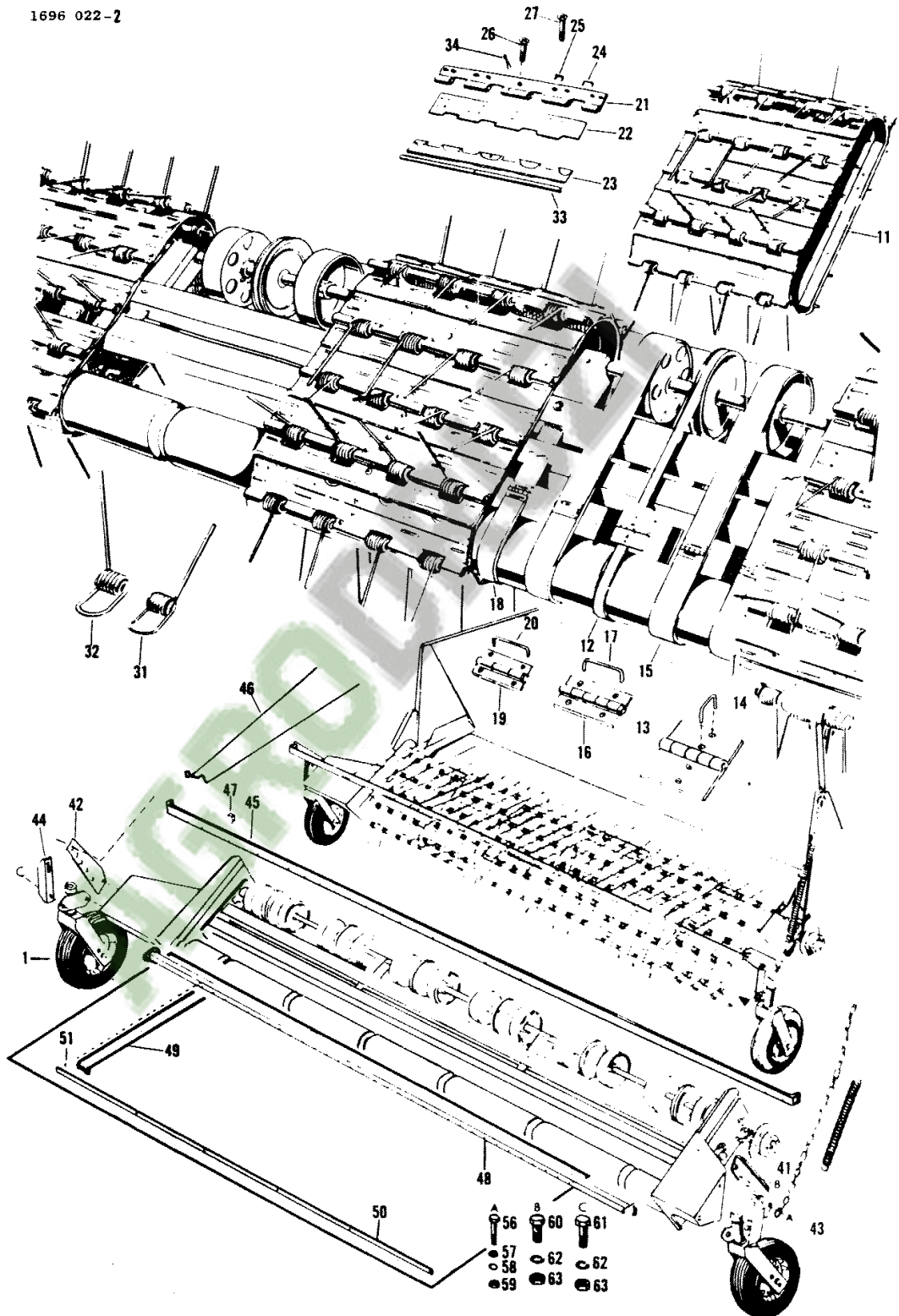
651 331 M95 (Issue 1) 12/72



MF 61 PICK-UP

69

1696 022-2



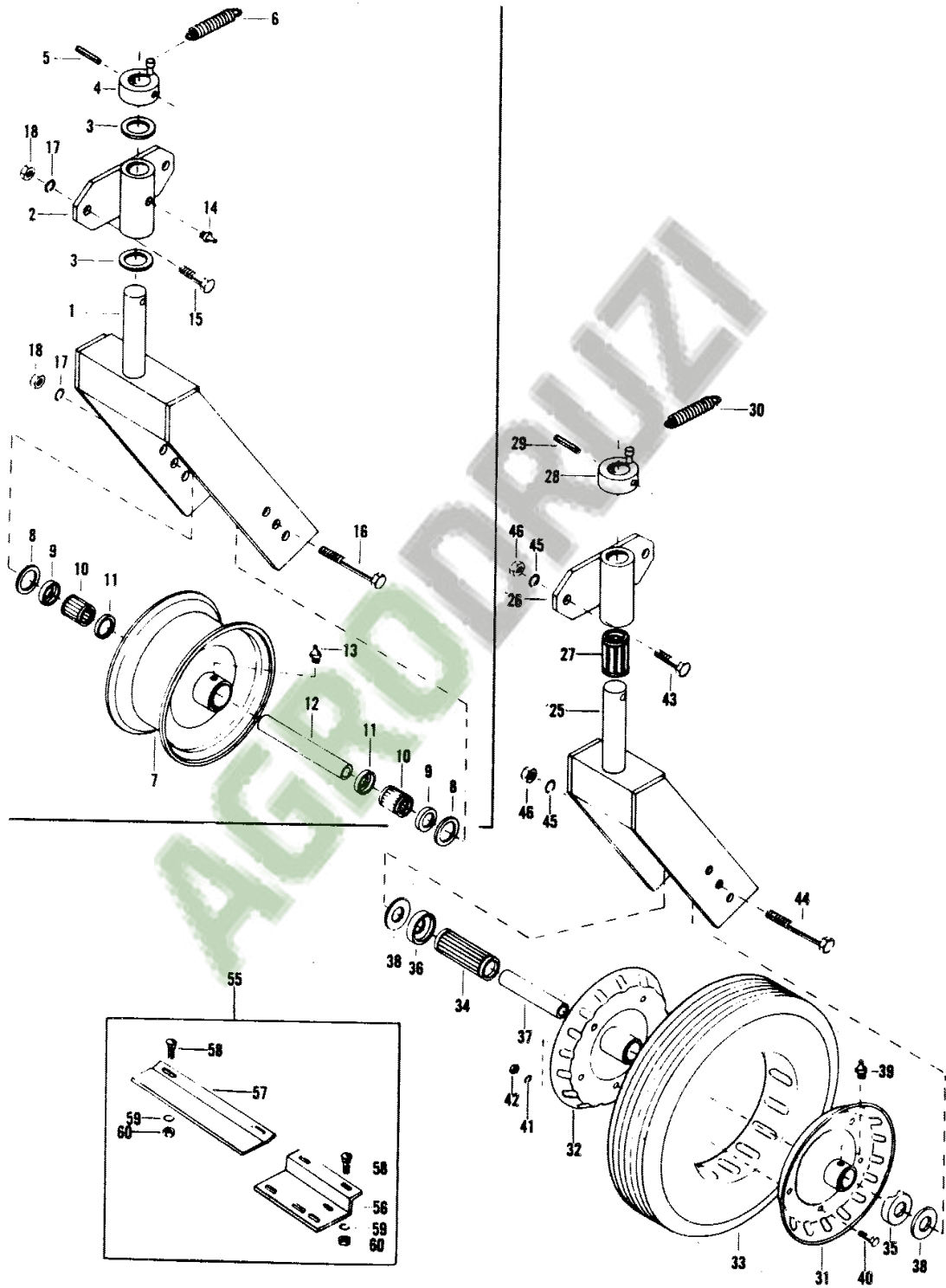
1st Print

651 331 M95 (Issue 1) 12/77

70

MF 61 PICK-UP

1696 023-1

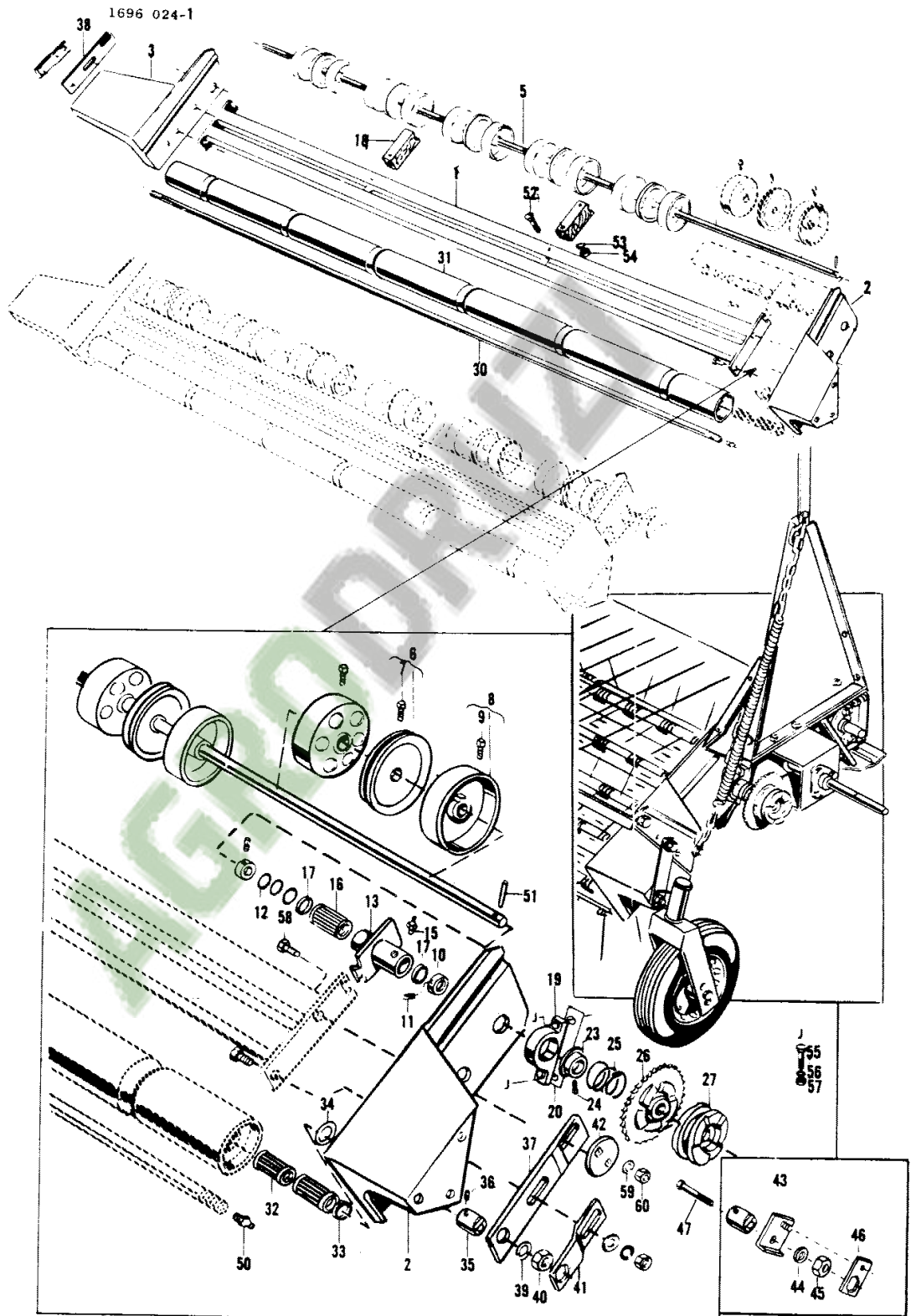


1st Print

651 331 M95 (Issue 1) 12/77

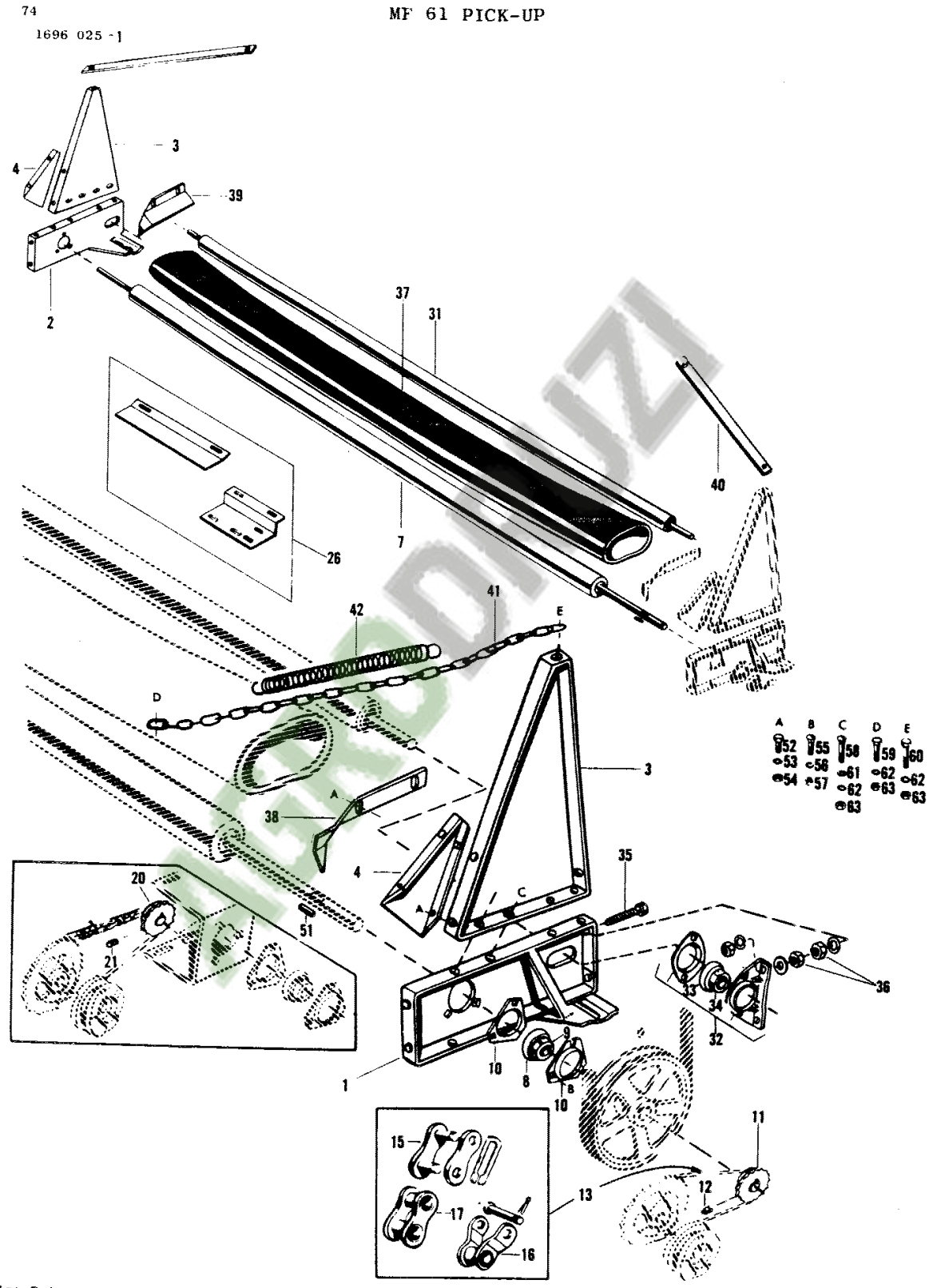
MF 61 PICK-UP

73



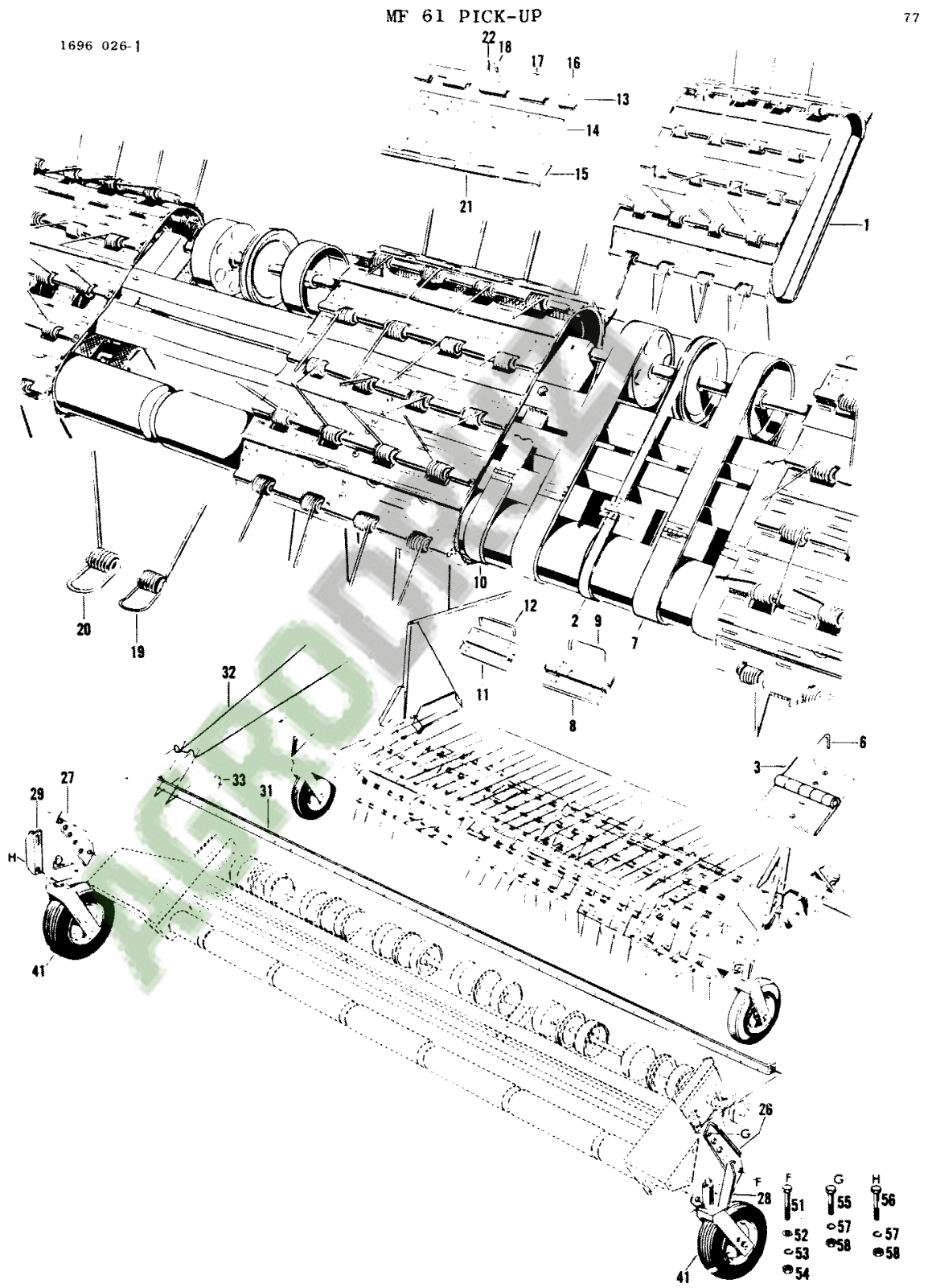
1st Print

651 331 M95 (Issue 1) 12/77



1st Print

651 331 M95 (Issue 1) 12/77



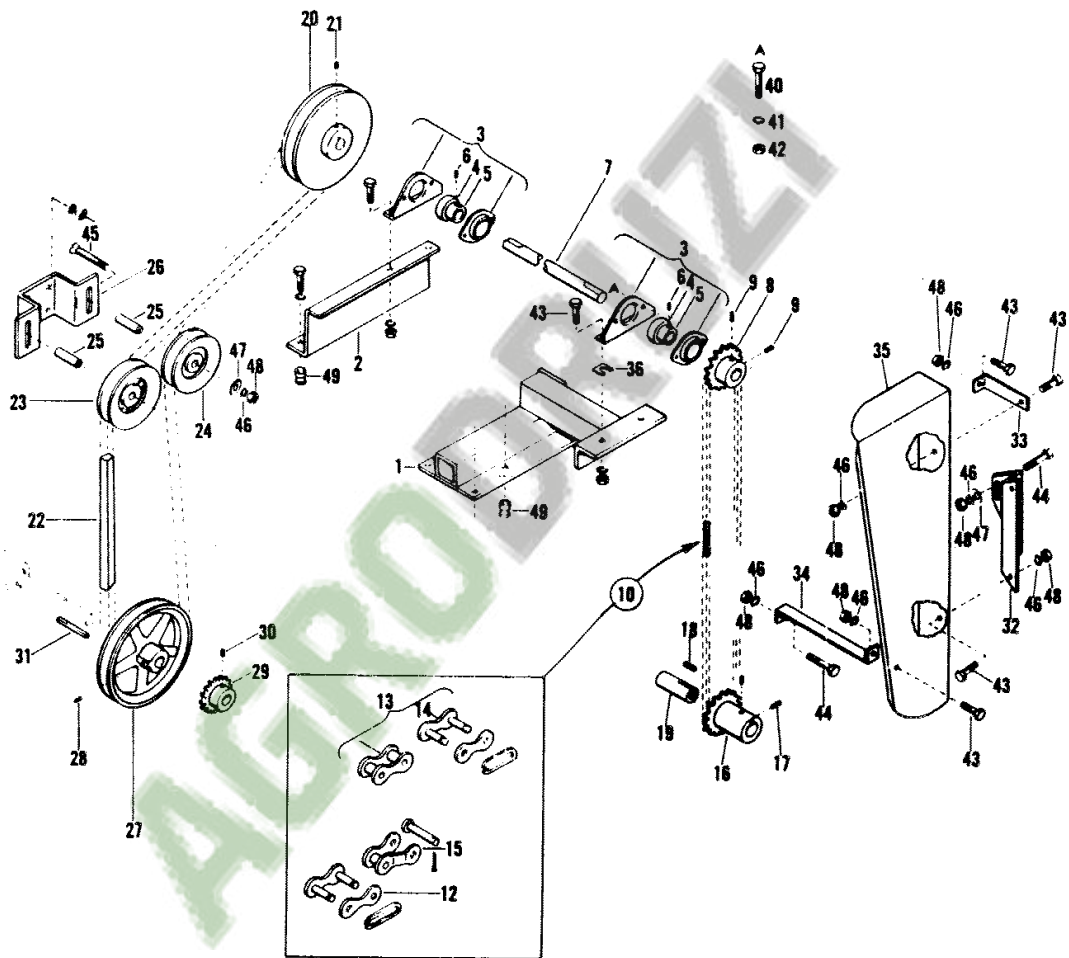
1st Print

651 331 M95 (Issue 1) 12/77

78

MF 61 PICK-UP

1696 027



1st Print

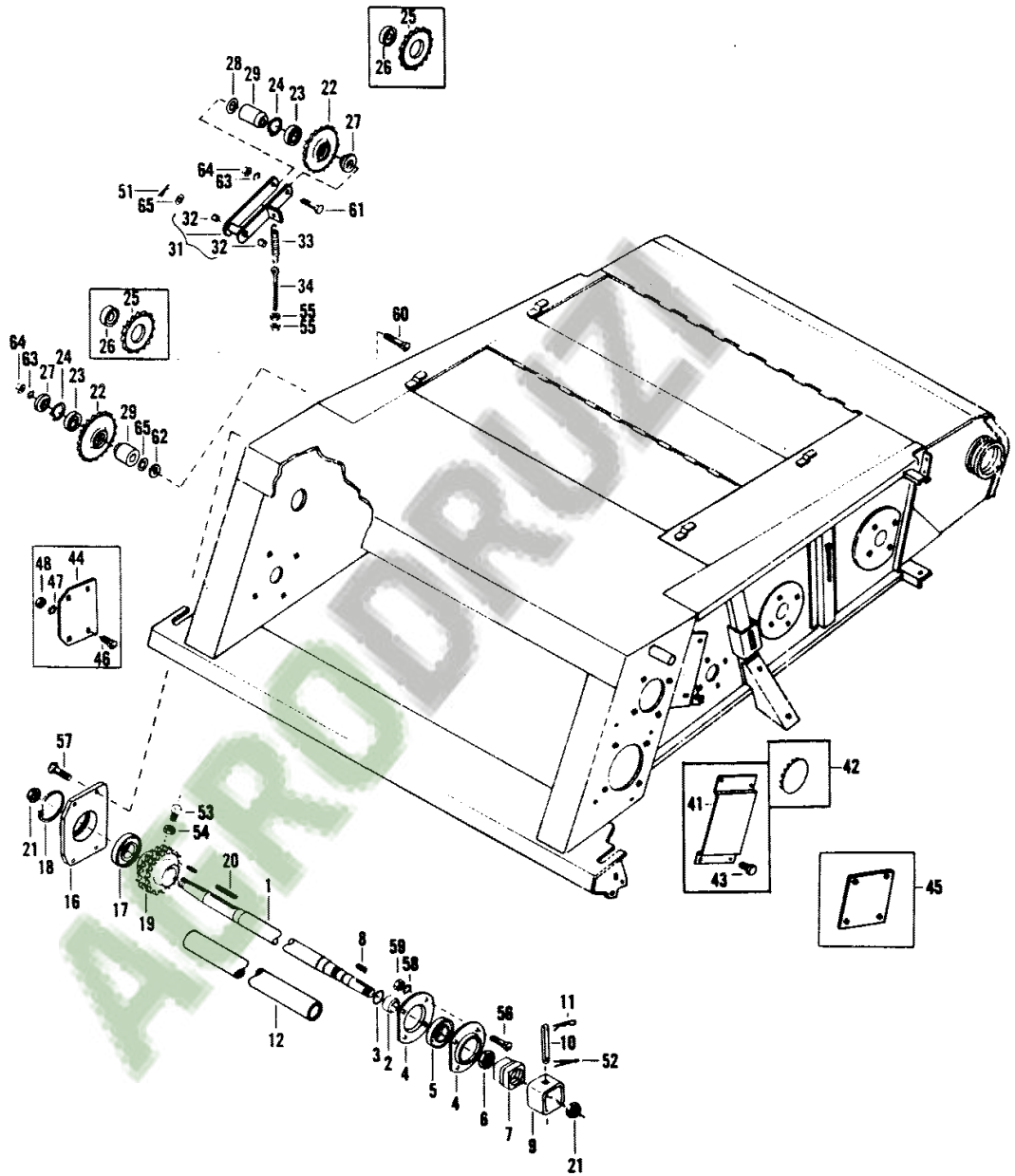
651 331 M95 (Issue 1) 12/77



ELEVATOR DRIVE

81

1696 017-4



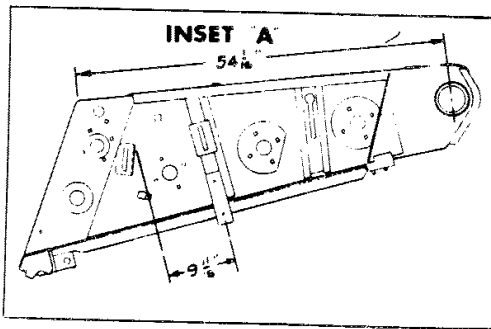
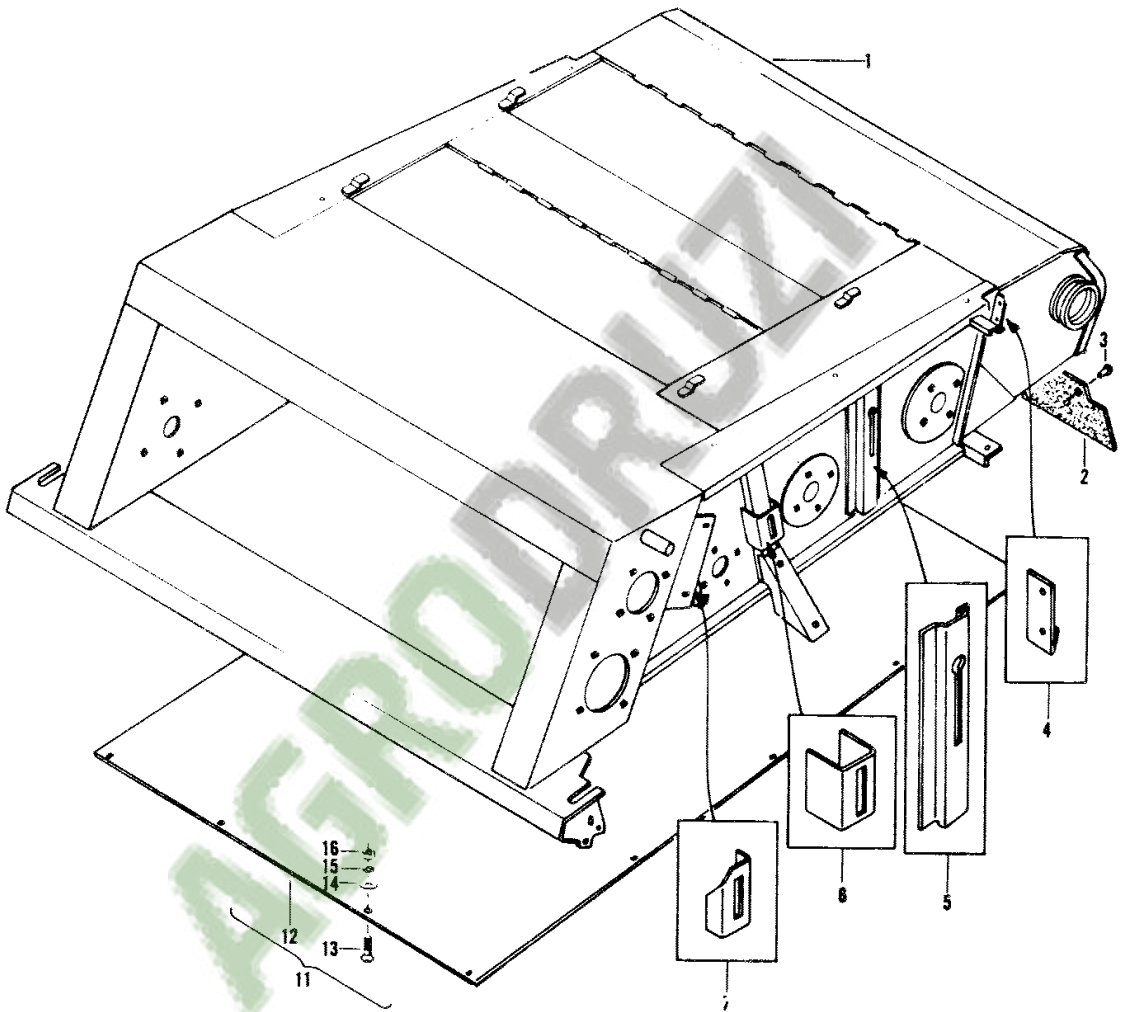
79-45

651 331 M95 (Issue 2) 5/79

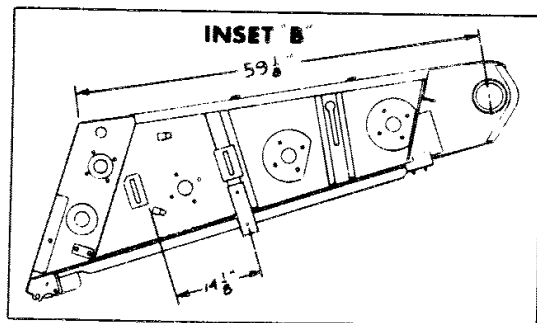
82

ELEVATOR HOUSING REPAIR

1696 193-1



1st Print

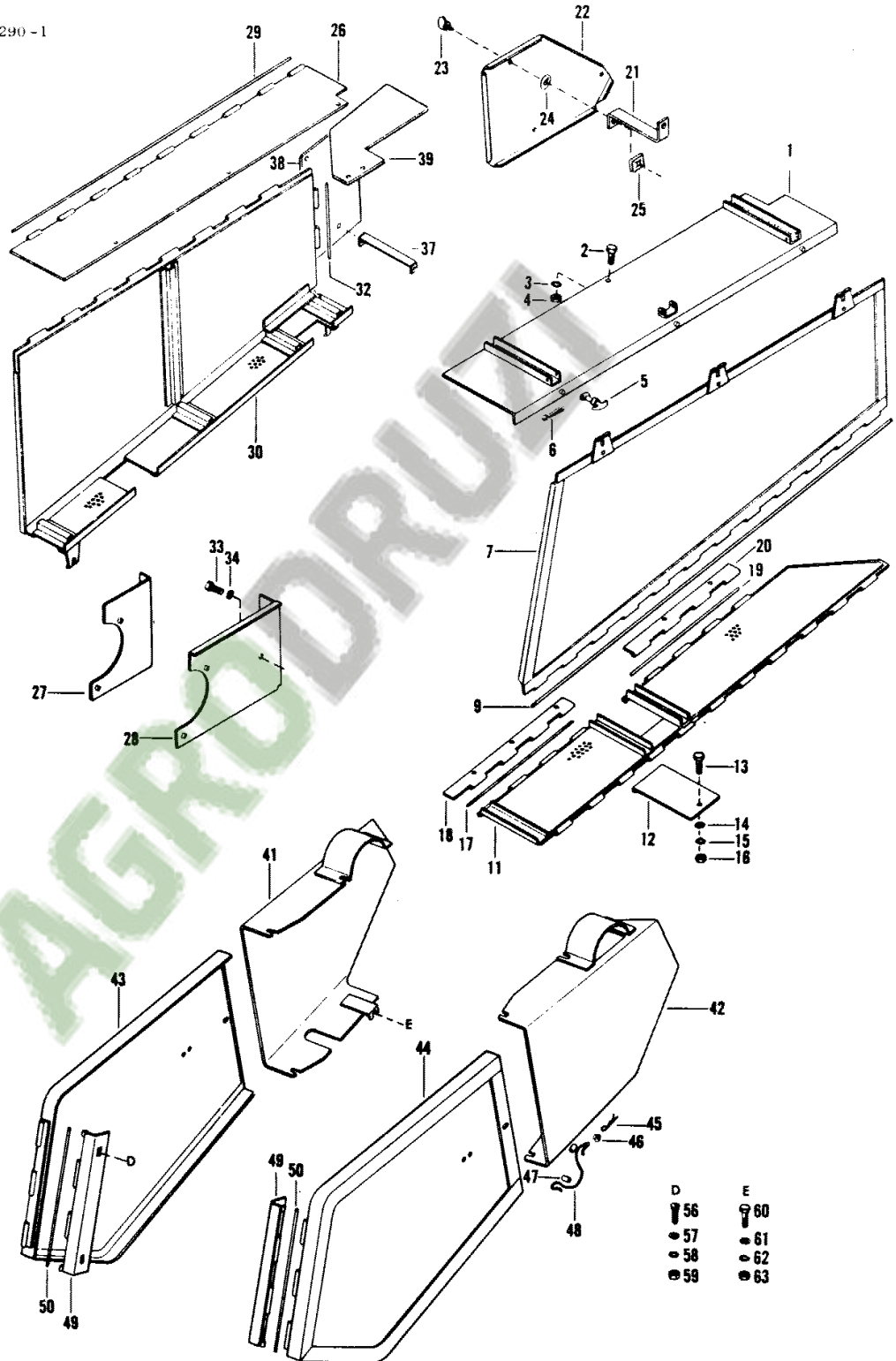


651 331 M95 (Issue 1) 12/77

ELEVATOR SHIELDS

85

1696 290-1



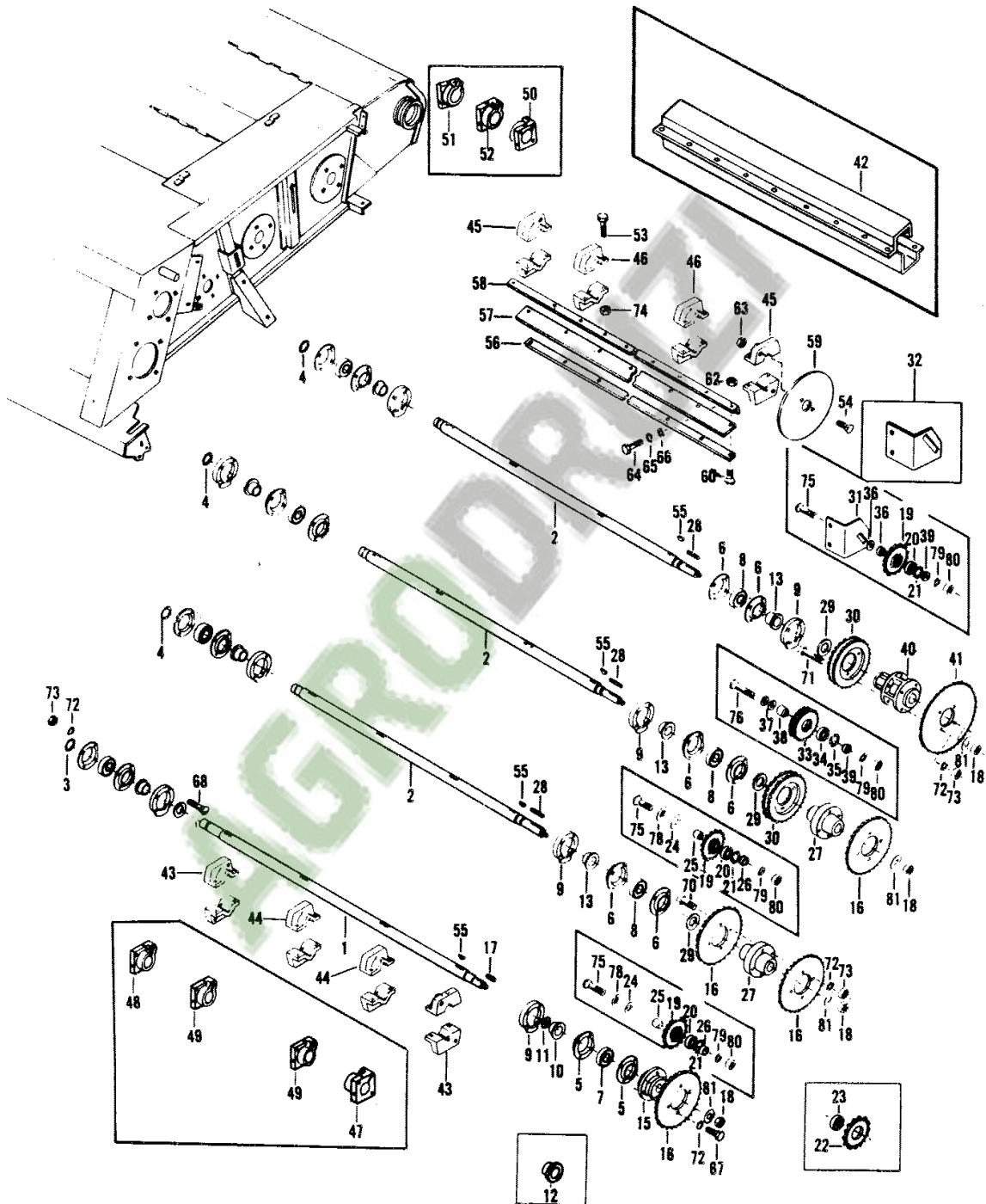
79-45

651 331 M95 (Issue 2) 5/79

86

ELEVATOR SHAFTS AND DRIVES

1696 192-3



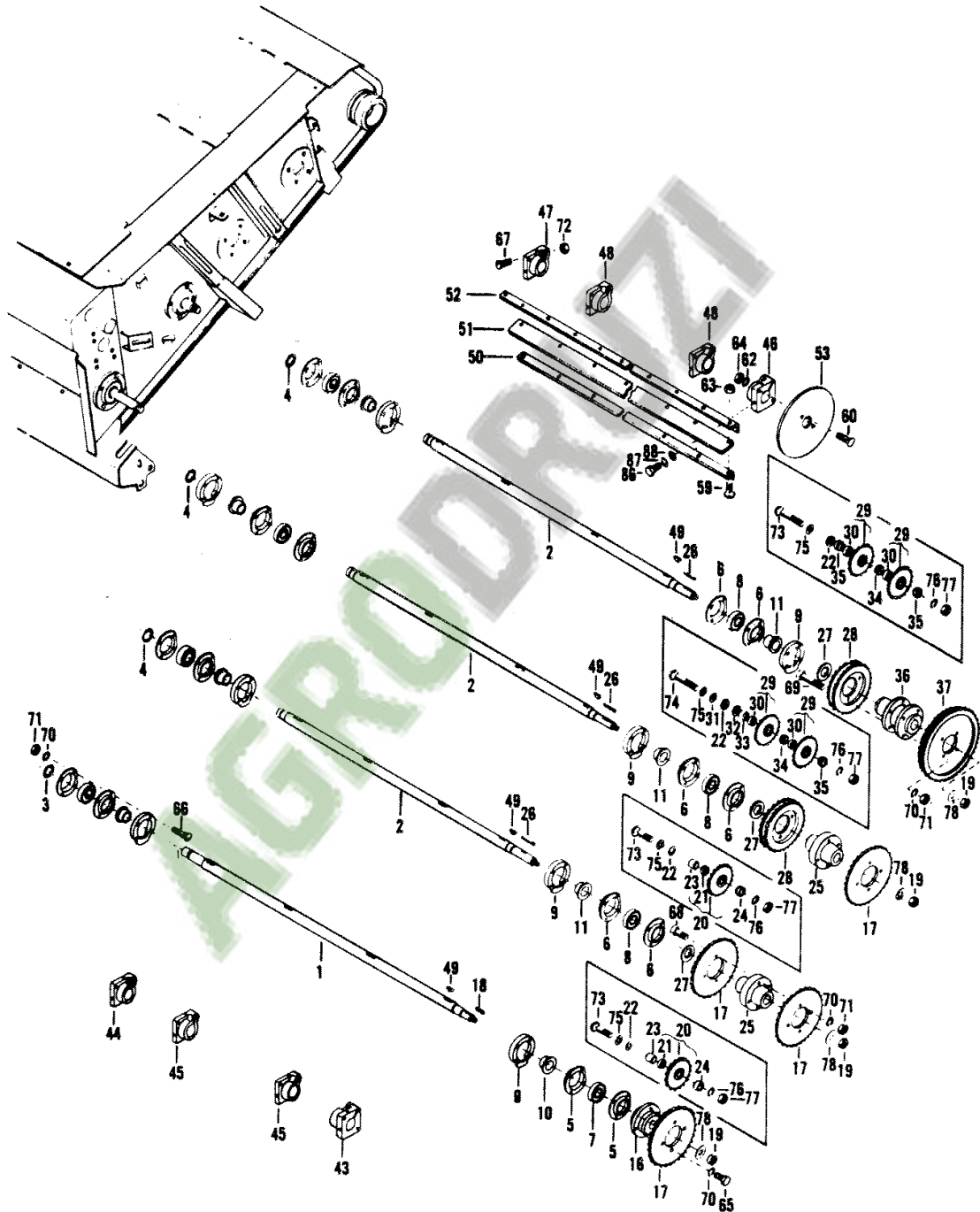
1st Pri

331 M95 (Issue 1) 12/77

90

ELEVATOR SHAFTS AND DRIVES

1696 018

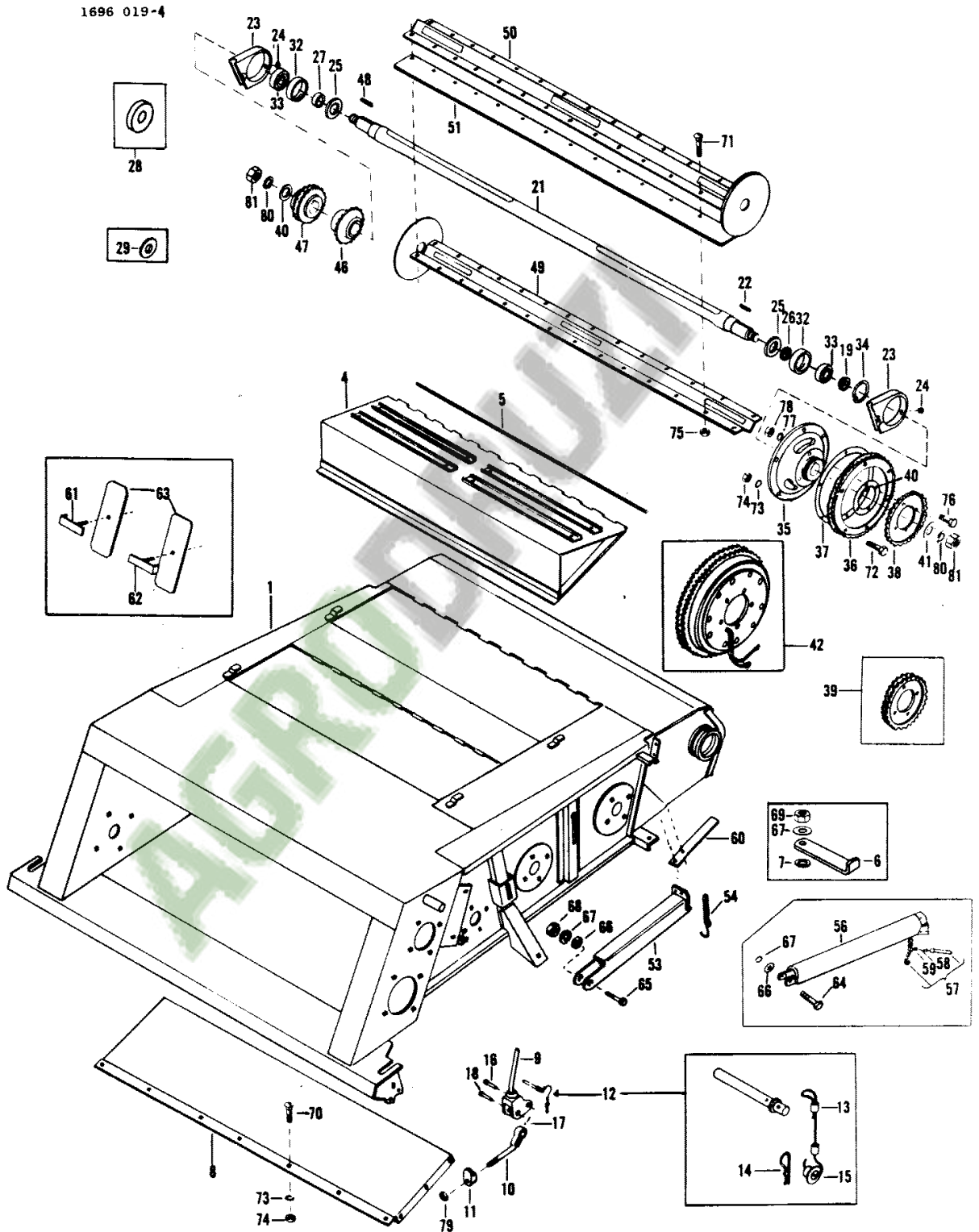


1st Print

651 331 M95 (Issue 1) 12/77

ELEVATOR TABLE TO CYLINDER

93



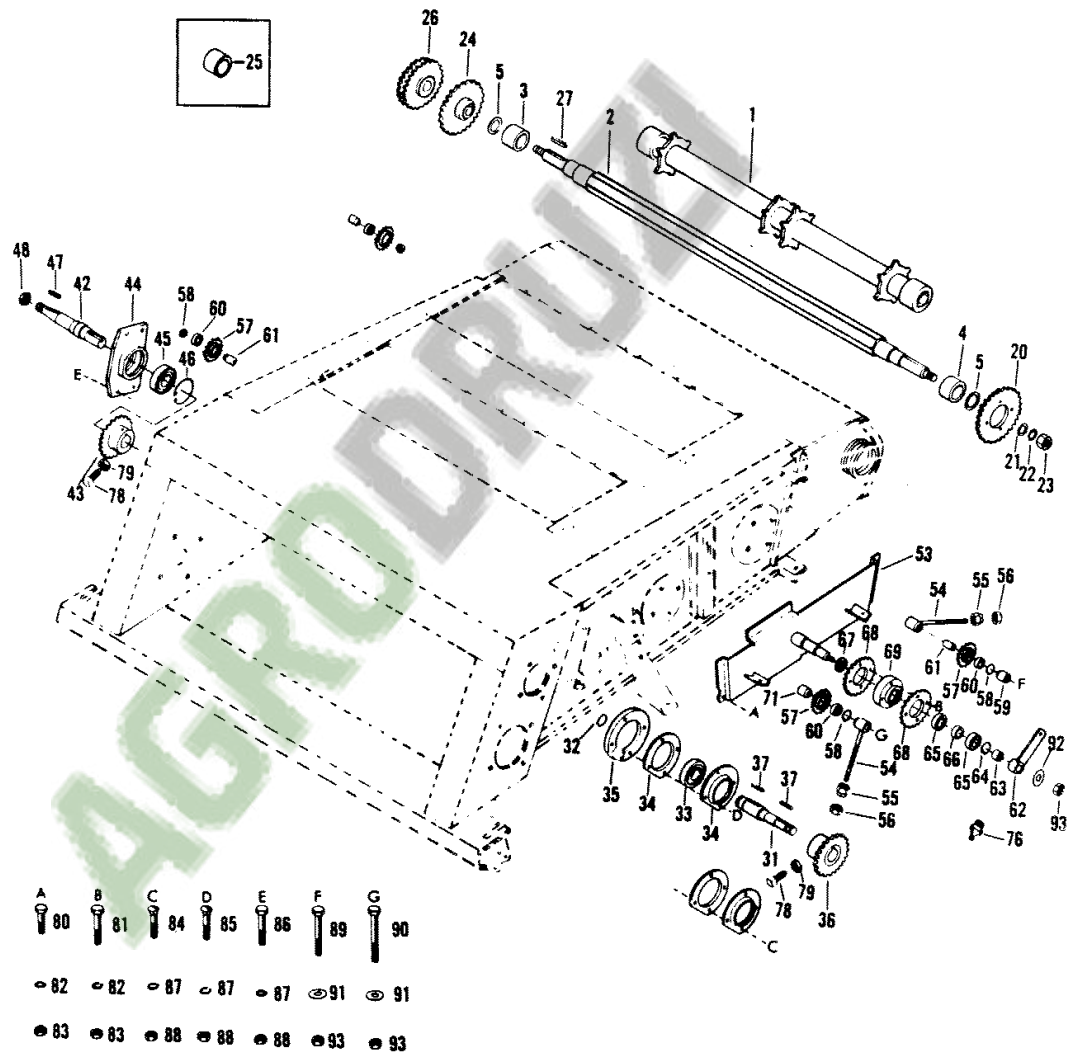
1st Print

651 331 M95 (Issue 1) 12/77

ELEVATOR TOP SHAFT AND DRIVE

95B

1696 453



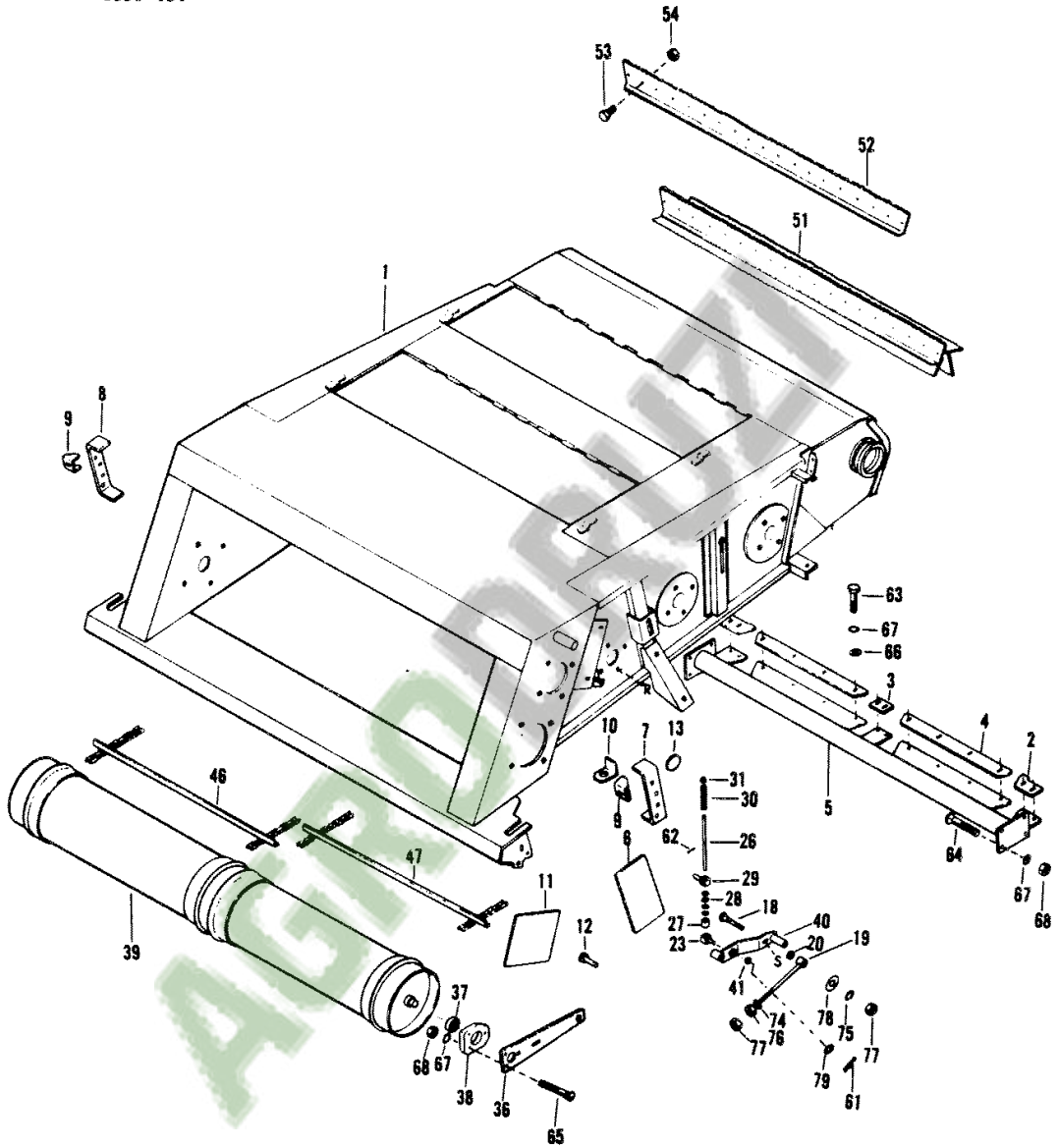
80-1

651 331 M95 (Issue 1) 1/79

95C

ELEVATOR, TABLE TO CYLINDER

1696 454



- |   |   |
|---|---|
| R | S |
|   |   |
|   |   |
|   |   |
|   |   |

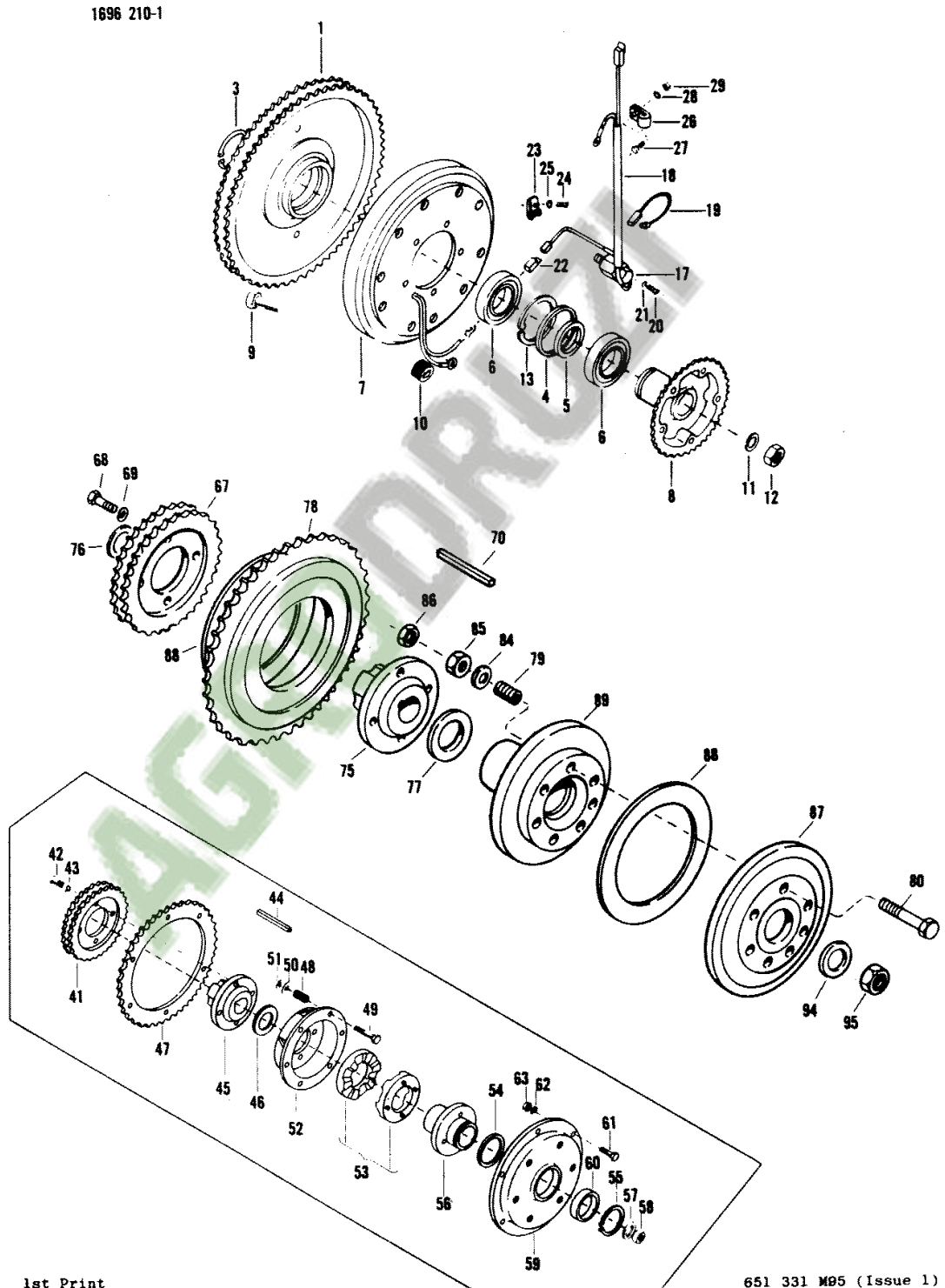
80-1

651 331 M95 (Issue 1) 11/79



ELEVATOR CLUTCHES

97

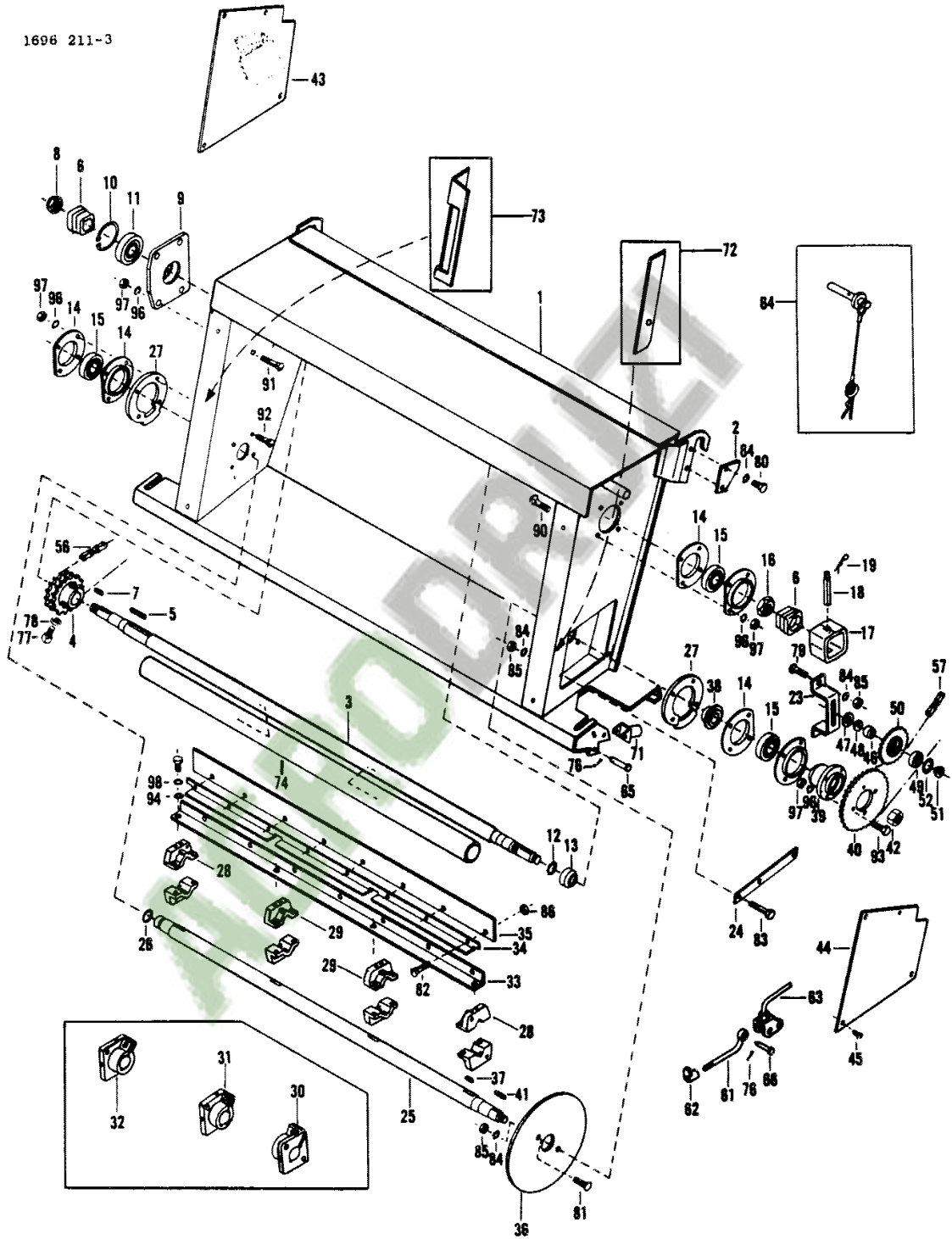


1st Print

651 331 M05 (Issue 1) 12/77

98

ELEVATOR EXTENSION



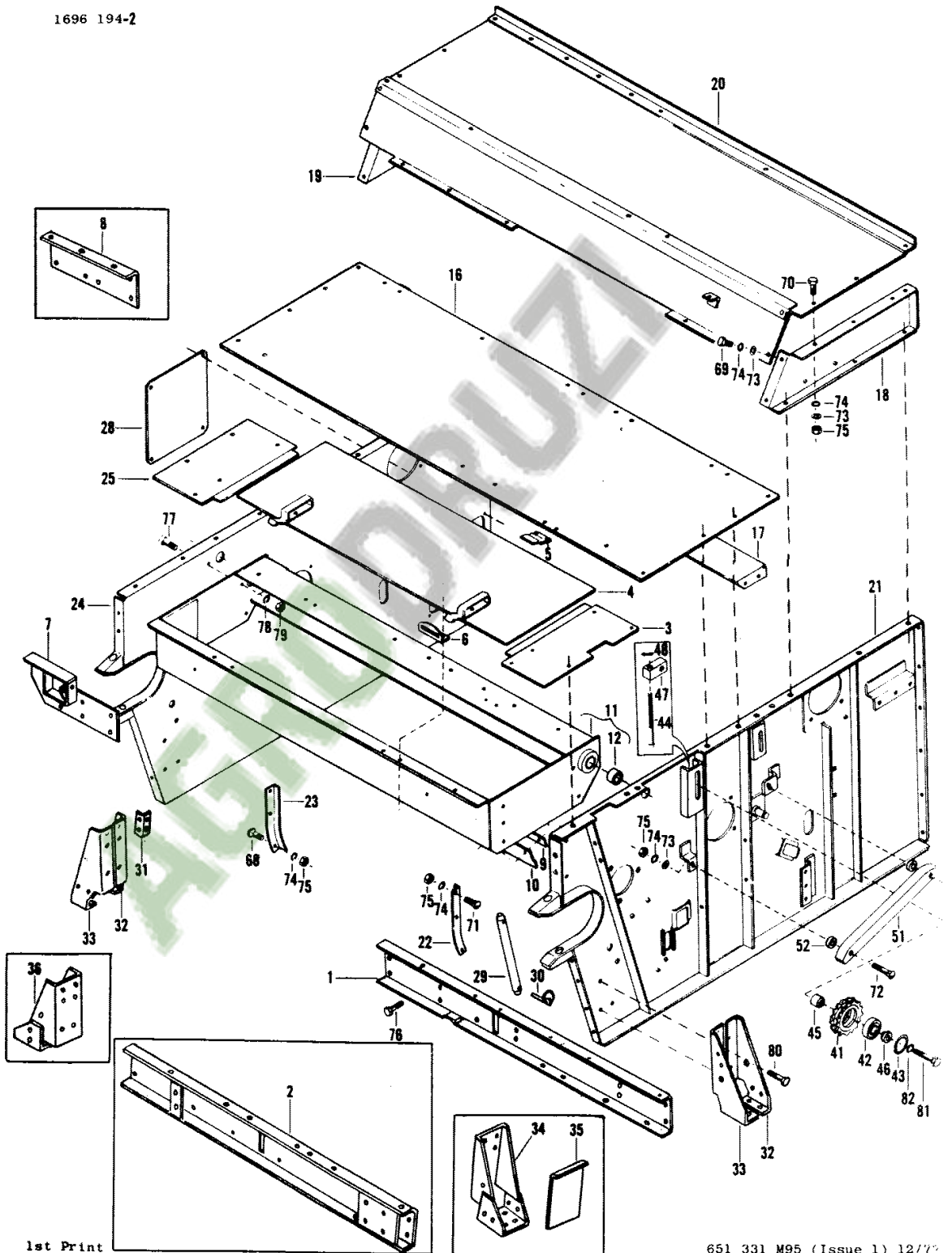
79-45

651 331 M95 (Issue 3) 5/79

CYLINDER HOUSING

101

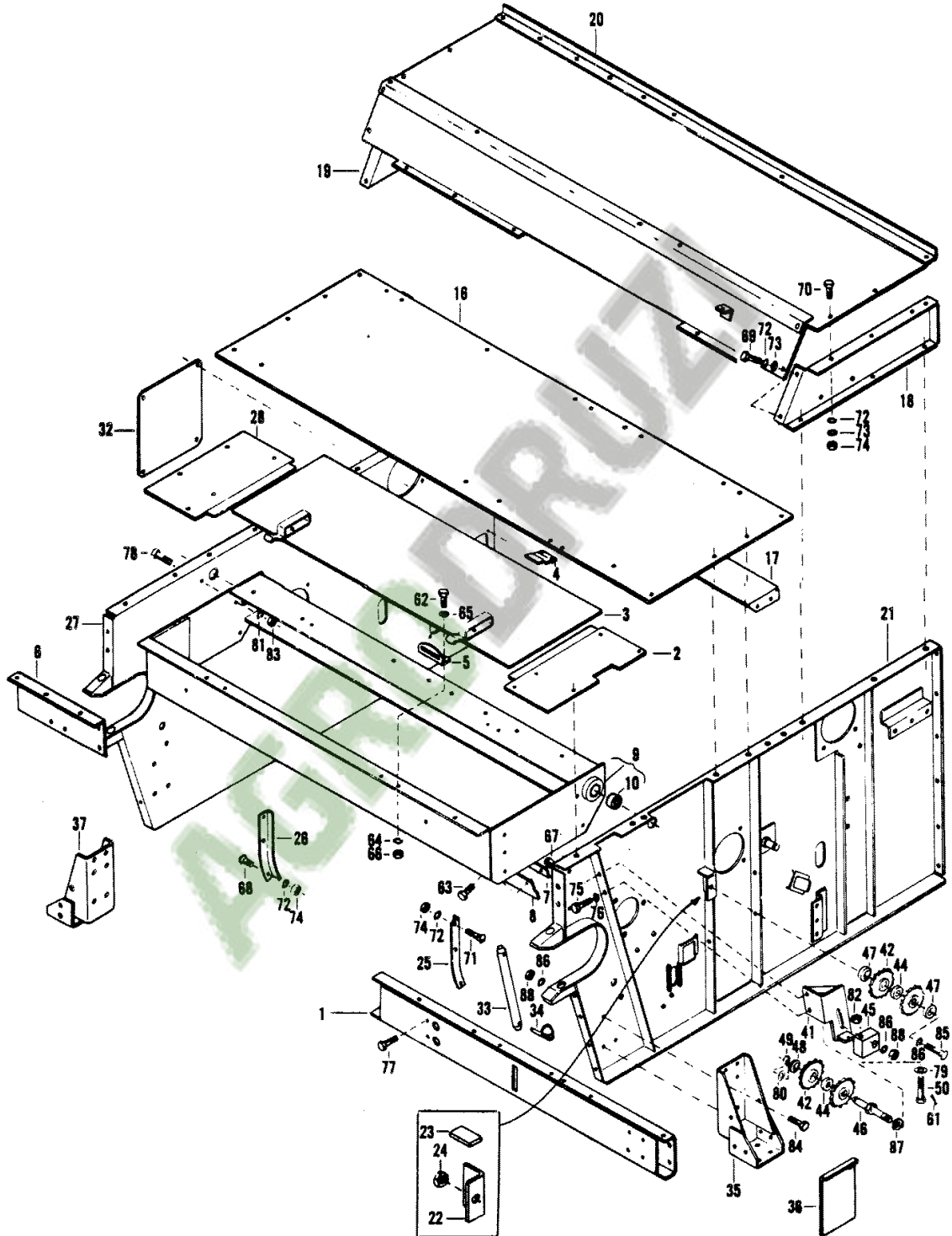
1696 194-2



102

CYLINDER HOUSING

1696 028 -1



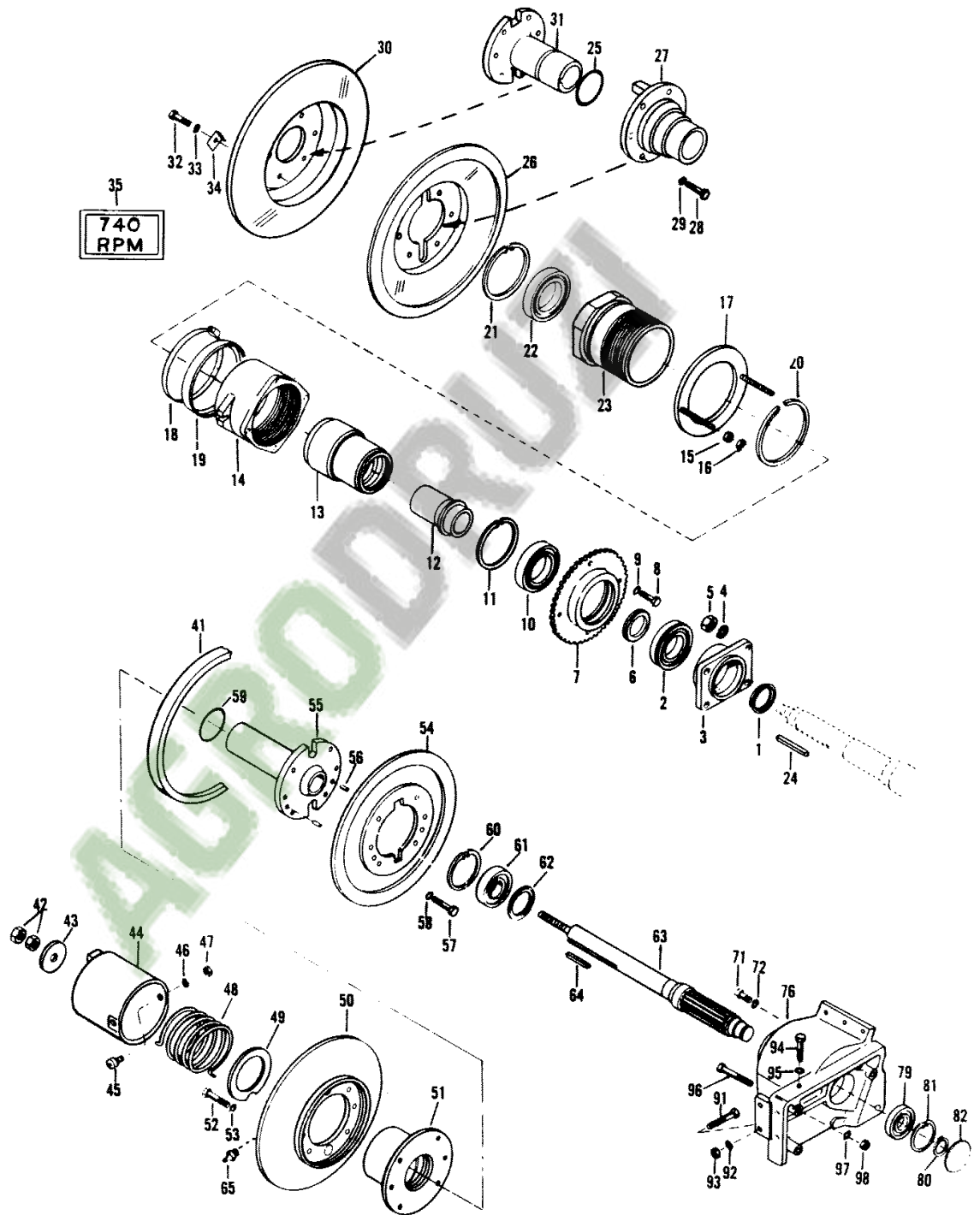
1st Print

651 331 M95 (Issue 1) 12/77

CYLINDER DRIVE

104A

1696 378-1



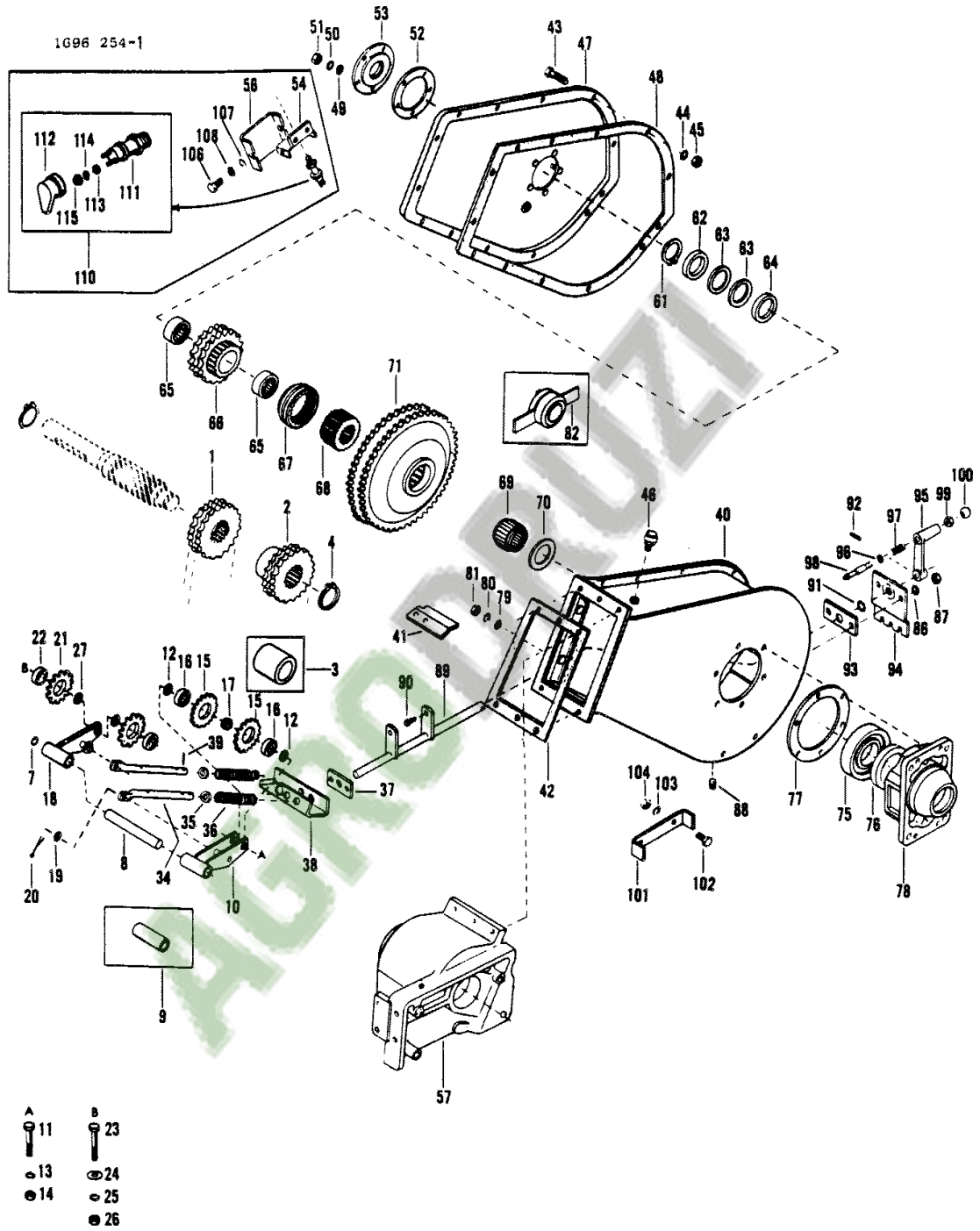
80-1

651 331 M95 (Issue 3) 11/77



106

CYLINDER DRIVE



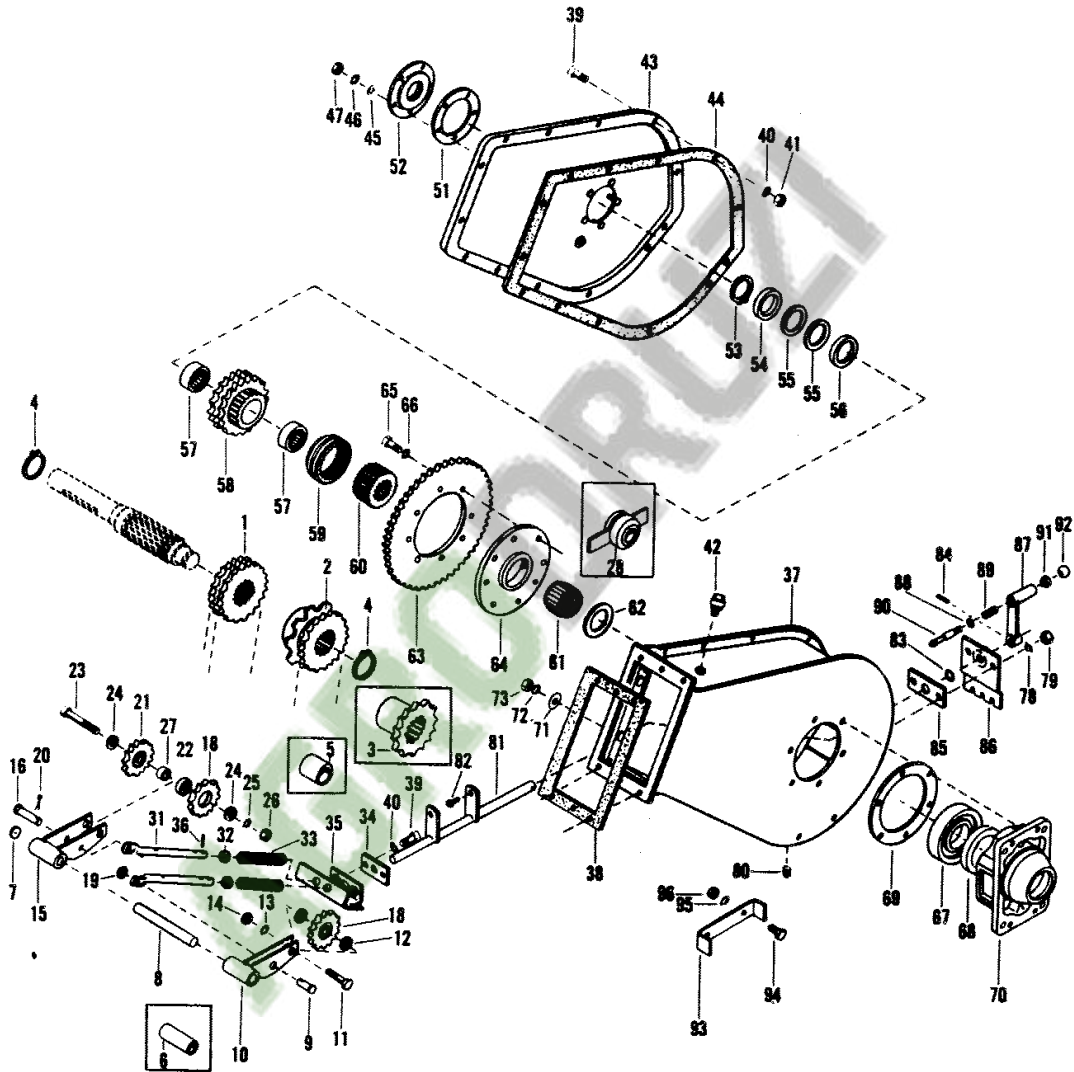
79-16

651 331 M95 (Issue 2) 2/79

110

CYLINDER DRIVE

1696 030-1



1st Print

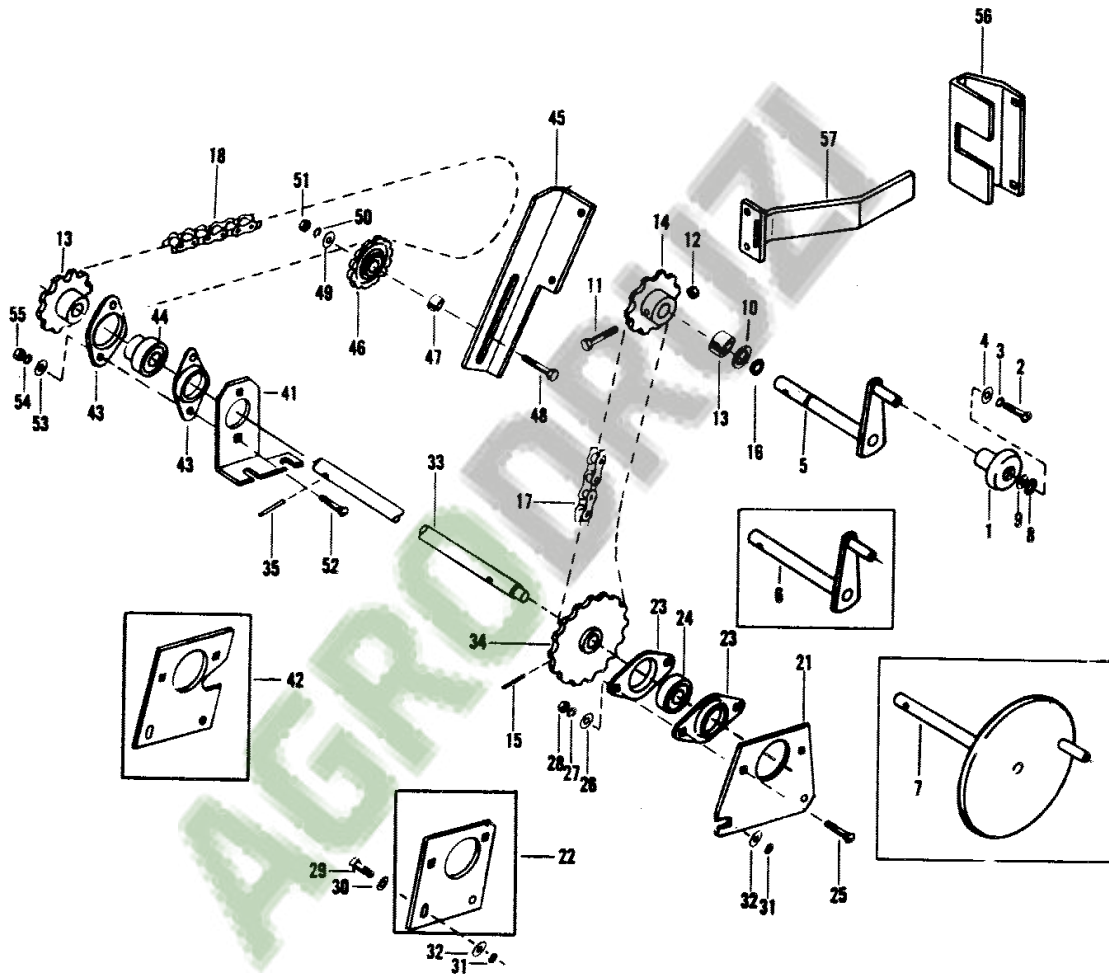
651 331 M95 (Issue 1) 12/77



114

VARIABLE SPEED DRIVE CONTROL

1696 218-3



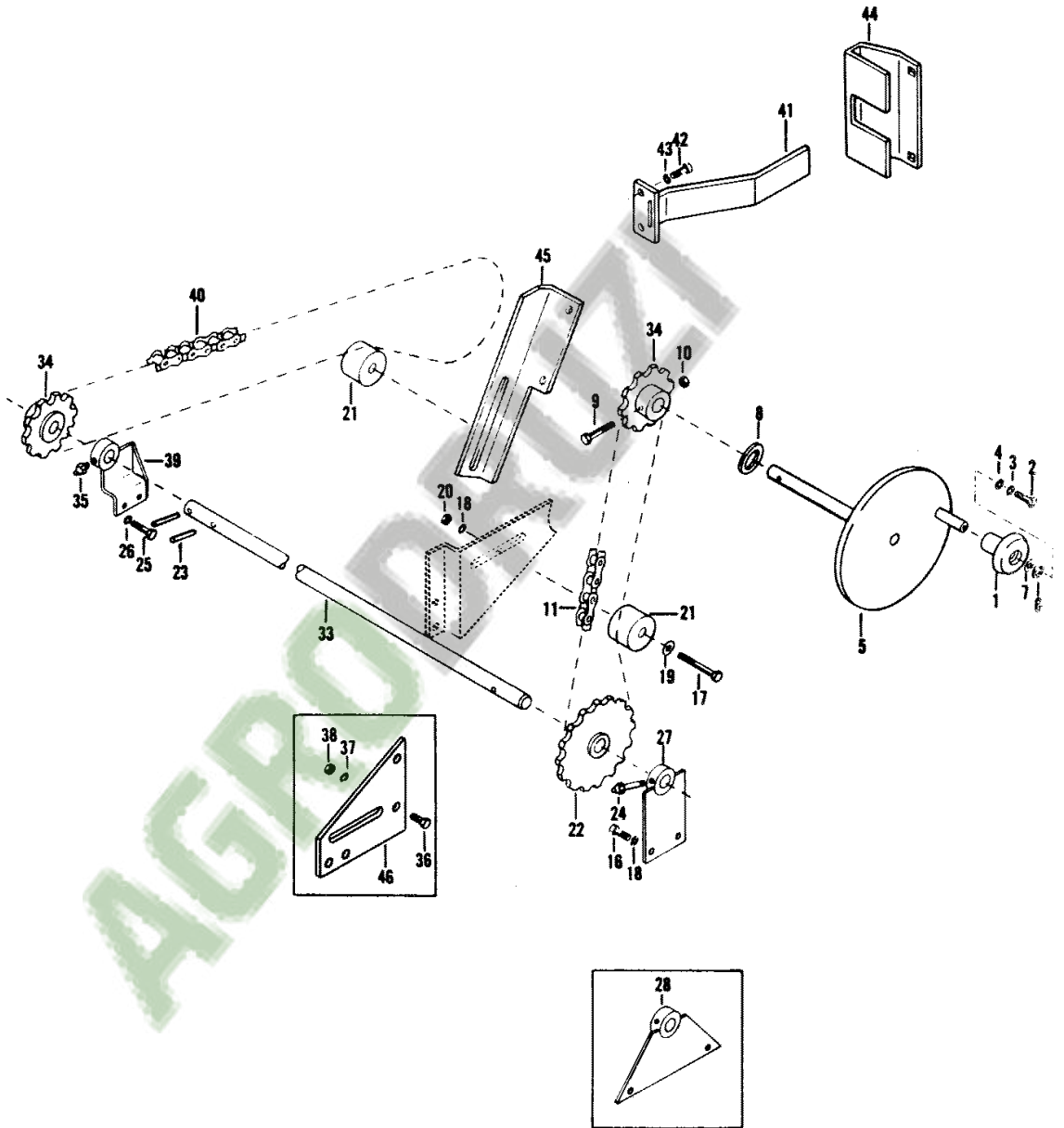
79-16

651 331 M95 (Issue 3) 2/78

VARIABLE SPEED DRIVE CONTROL

117

1696 031-1

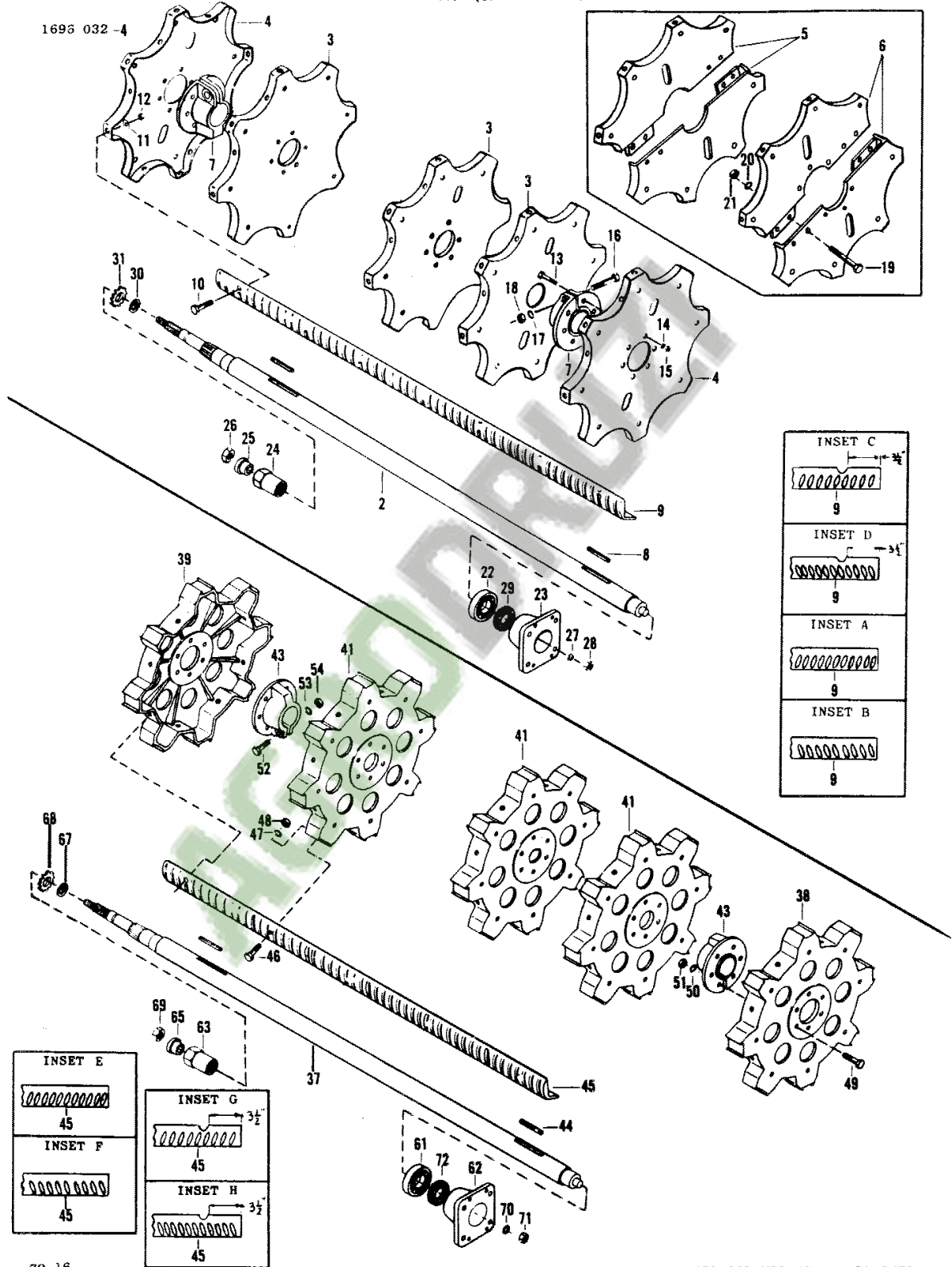


1st Print

651 331 M95 (Issue 1) 12.

118

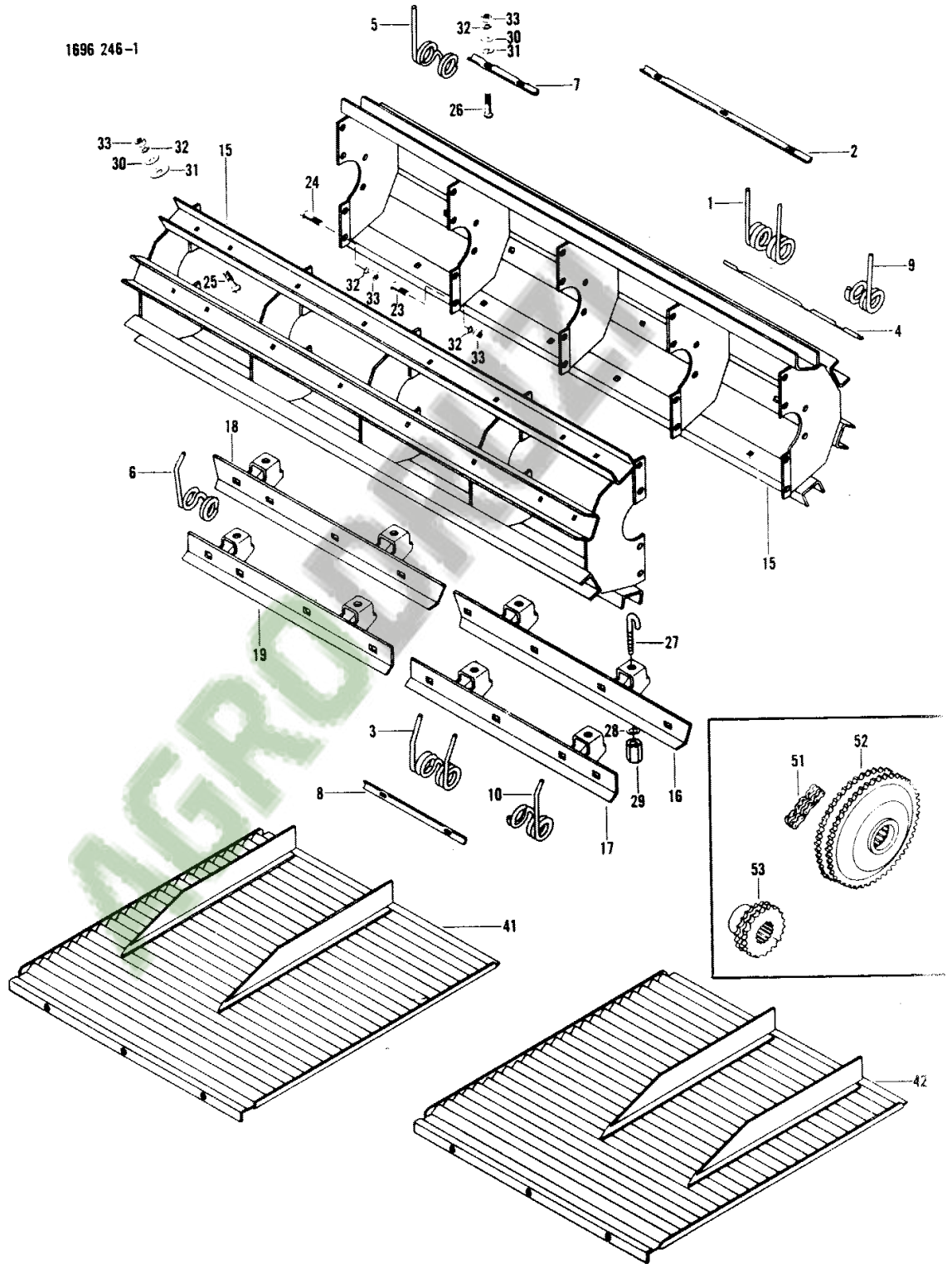
CYLINDER (RASP BAR)



EDIBLE BEAN ATTACHMENT

121

1696 246-1



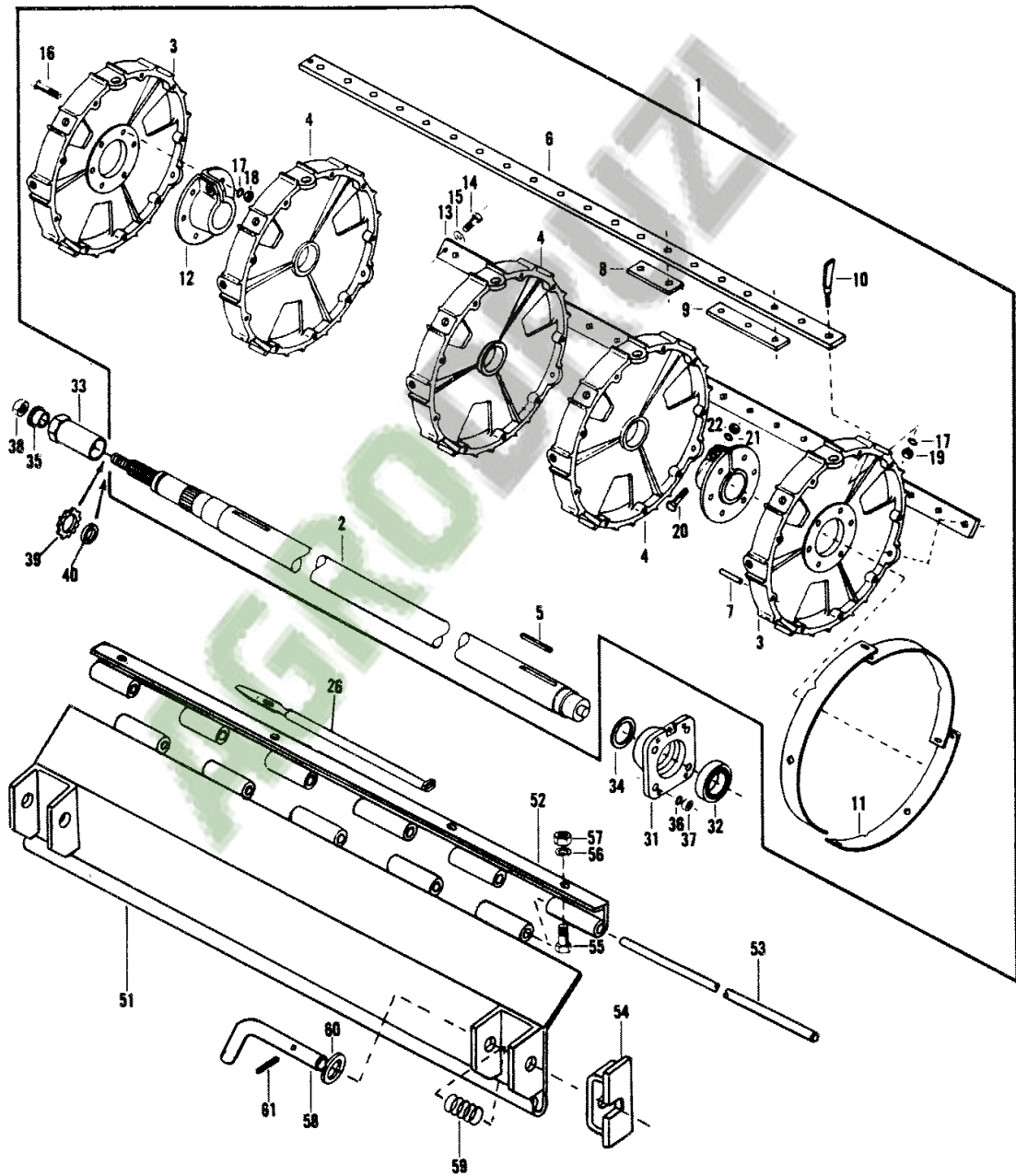
78-65

651 331 M95 (Issue 2) 8/

122

CYLINDER (SPIKE TOOTH)

1696 035 -2



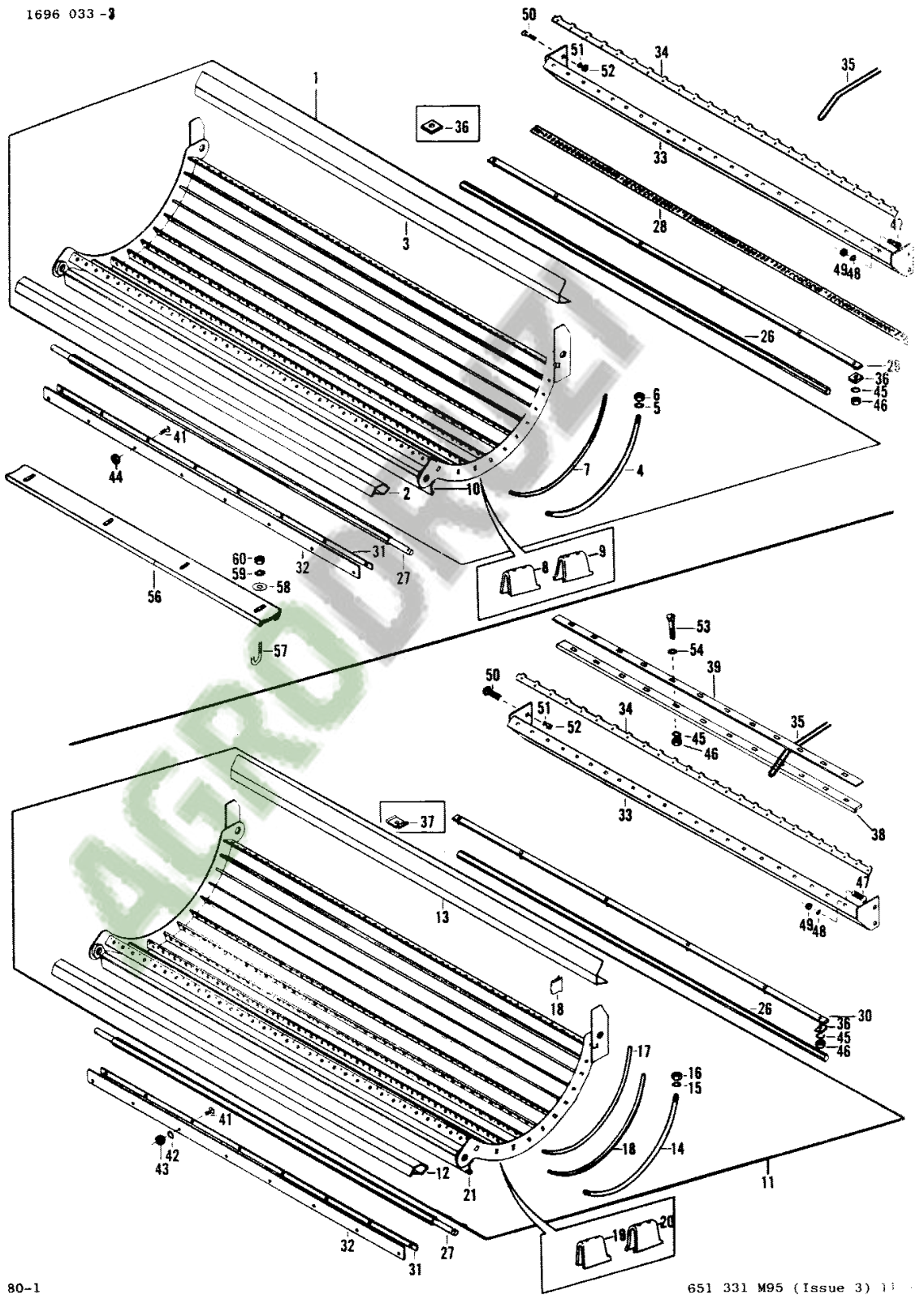
1st Print

651 331 M95 (Issue 1) 12/77

1696 033 -3

CONCAVE (RASP BAR)

125



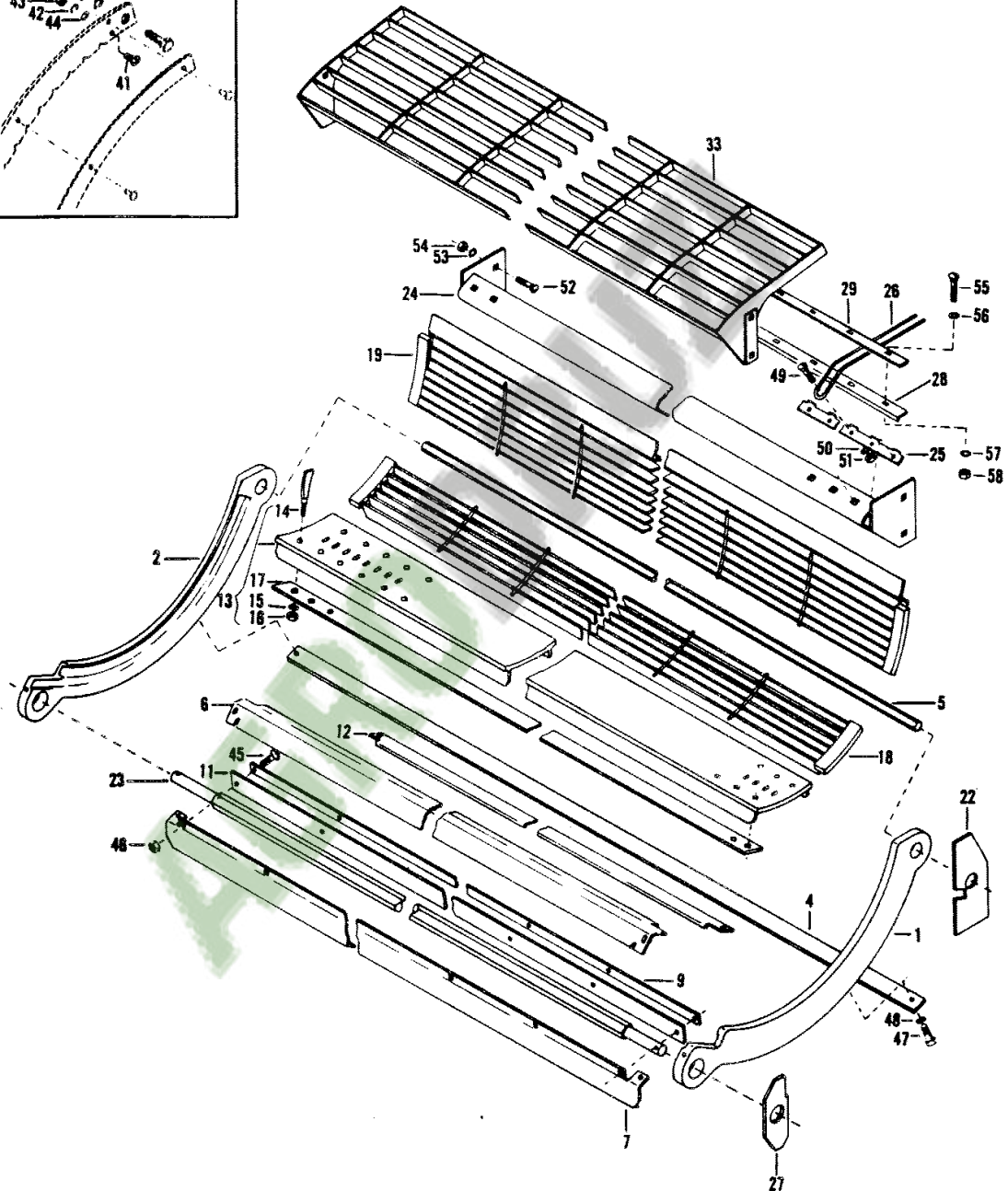
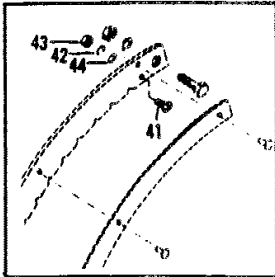
80-1

651 331 M95 (Issue 3) 11

126

CONCAVE (SPIKE TOOTH)

1696 036-2



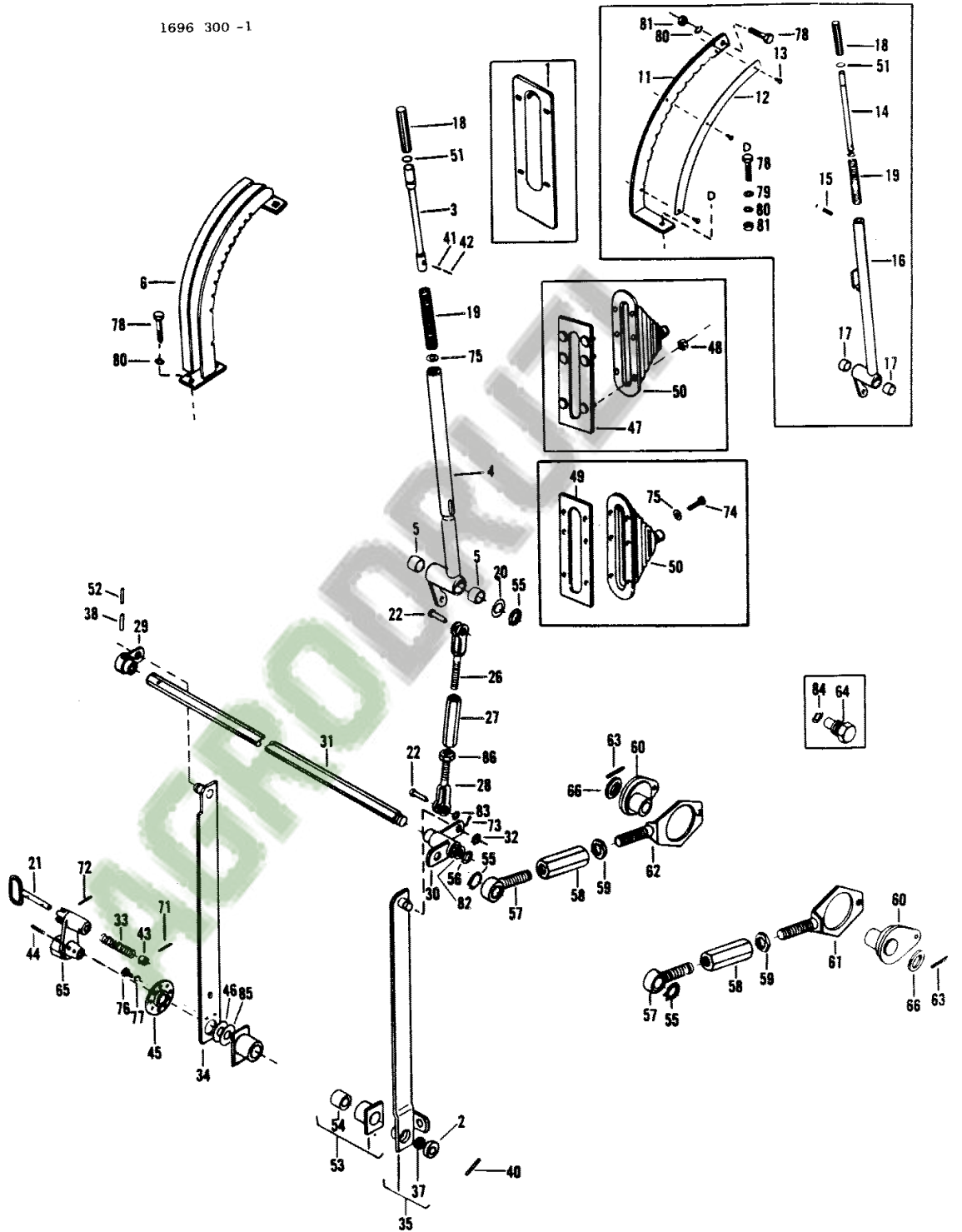
80-1

651 331 M95 (Issue 3) 11/79

CONCAVE CONTROL

129

1696 300 -1



79-16

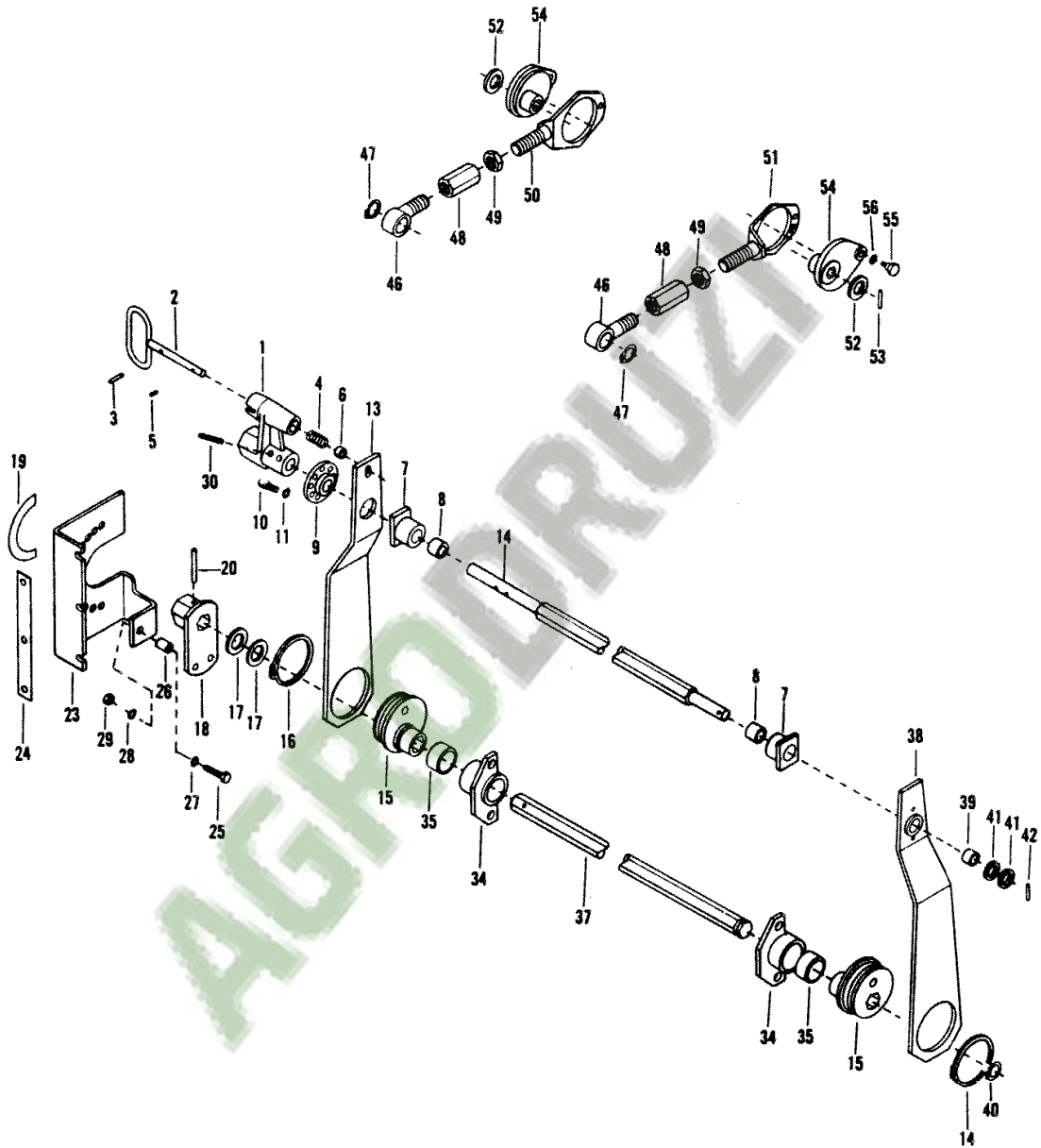
651 331 M95 (Issue 3) 2/79



130

CONCAVE CONTROL

1696 255



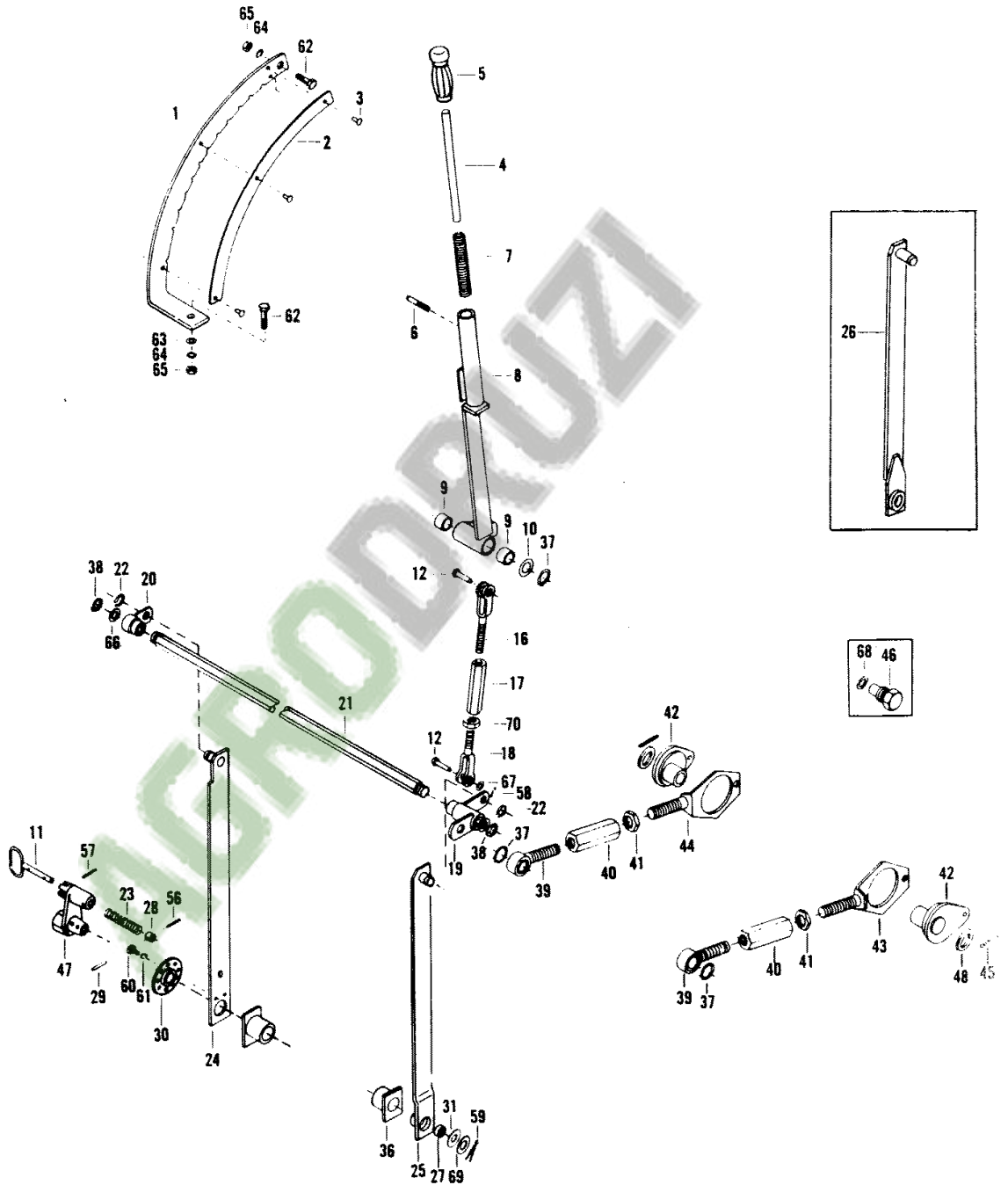
1st Print

651 331 M05 (Issue 1) 12/77

CONCAVE CONTROL

133

1696 034-2



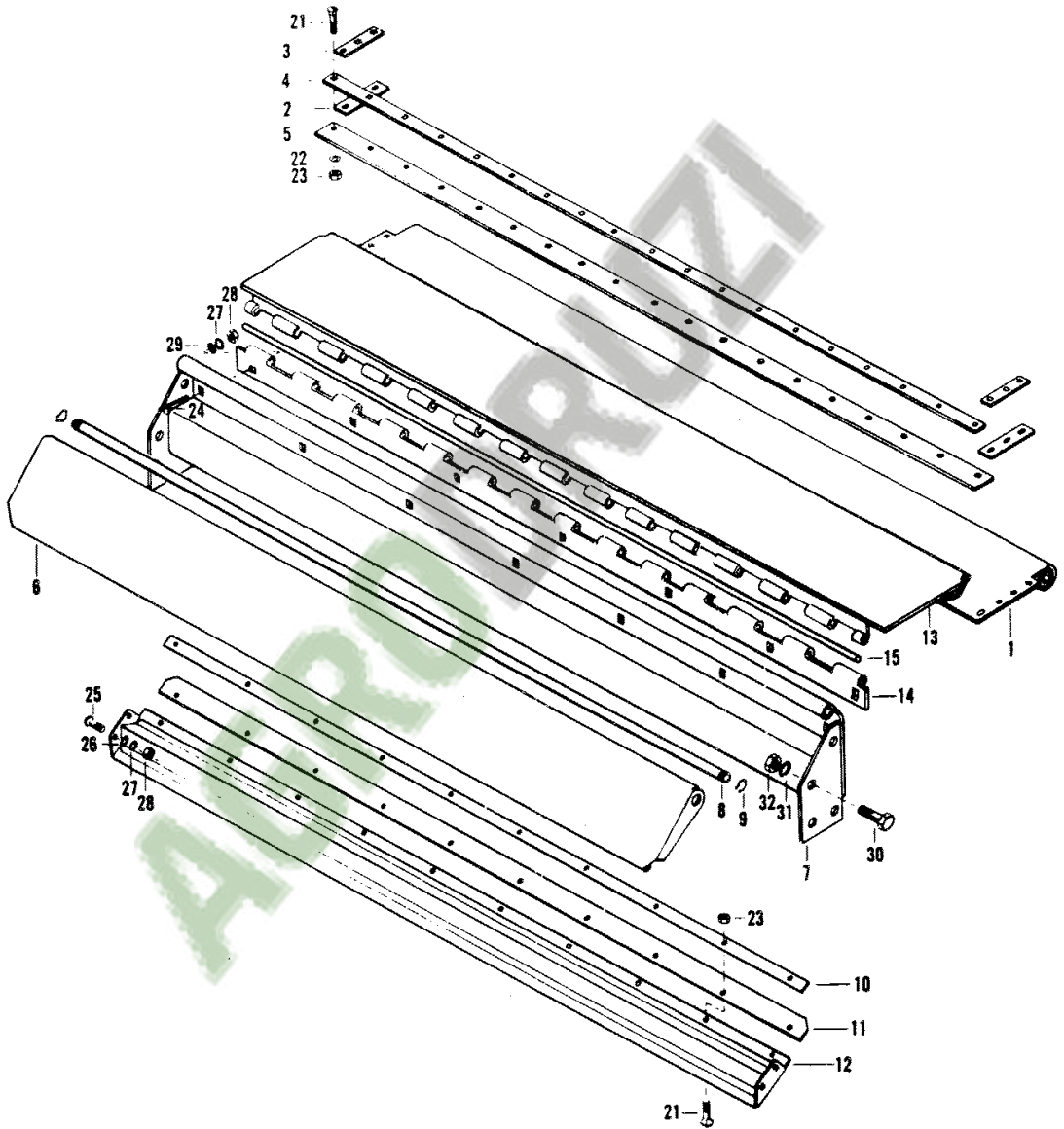
1st Print

651 331 M95 (Issue 1) 12/11

134

STONE TRAP, FEED PLATE

1696 037

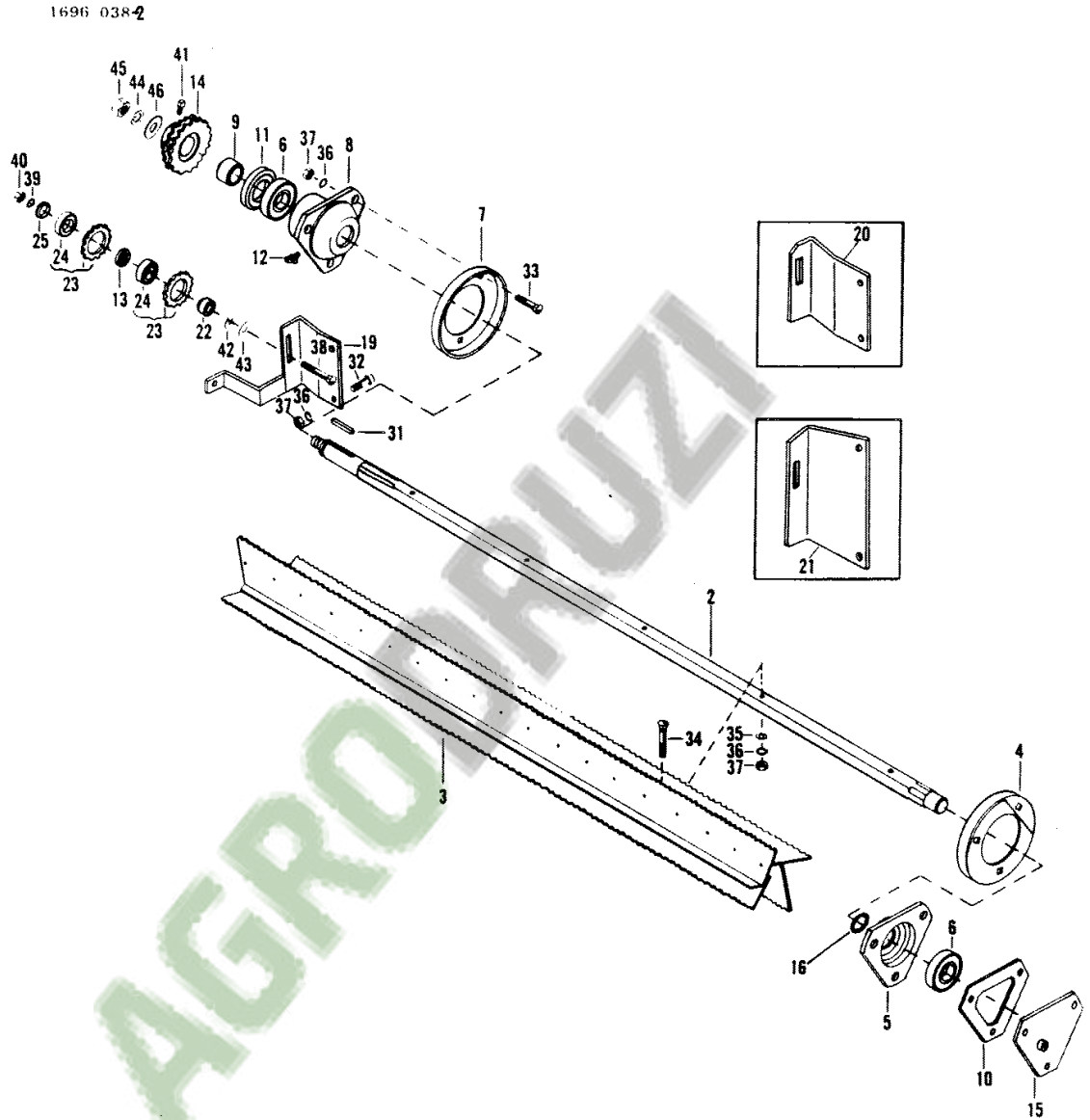


1st Print

651 331 M95 (Issue 1) 12/77

FRONT BEATER

137

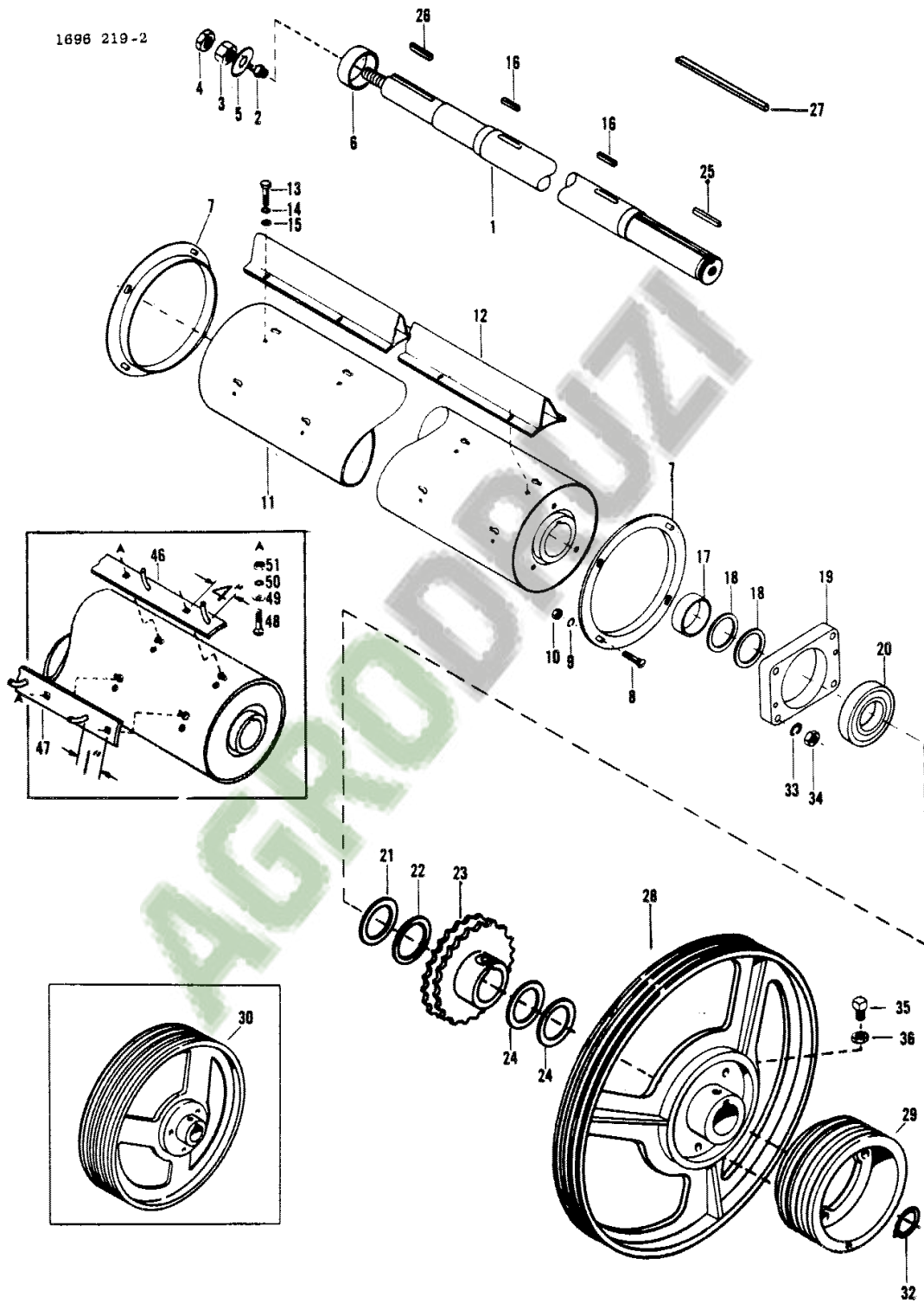


1st Print

651 331 M95 (Issue 1) 12/??

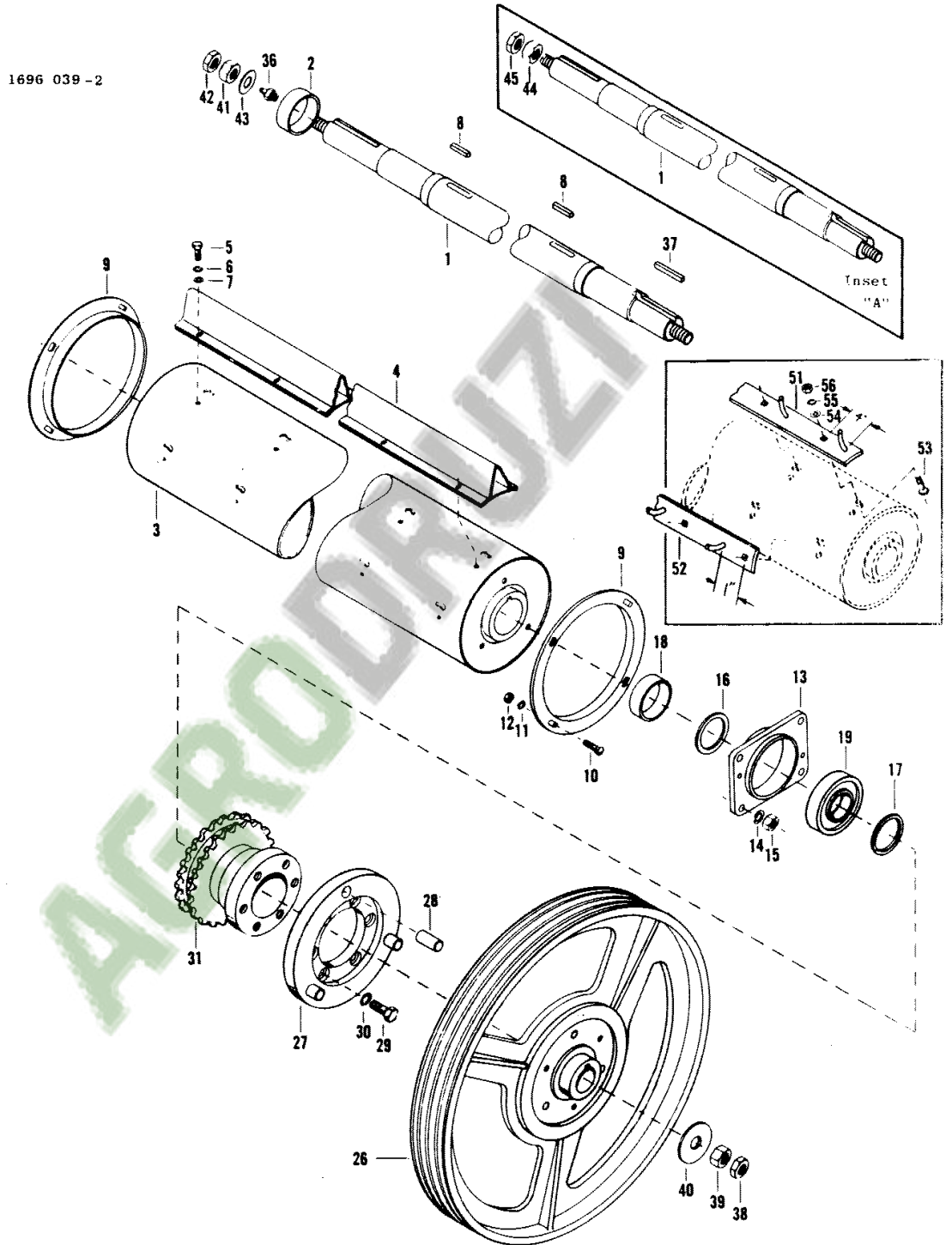
138

REAR BEATER



REAR BEATER

141



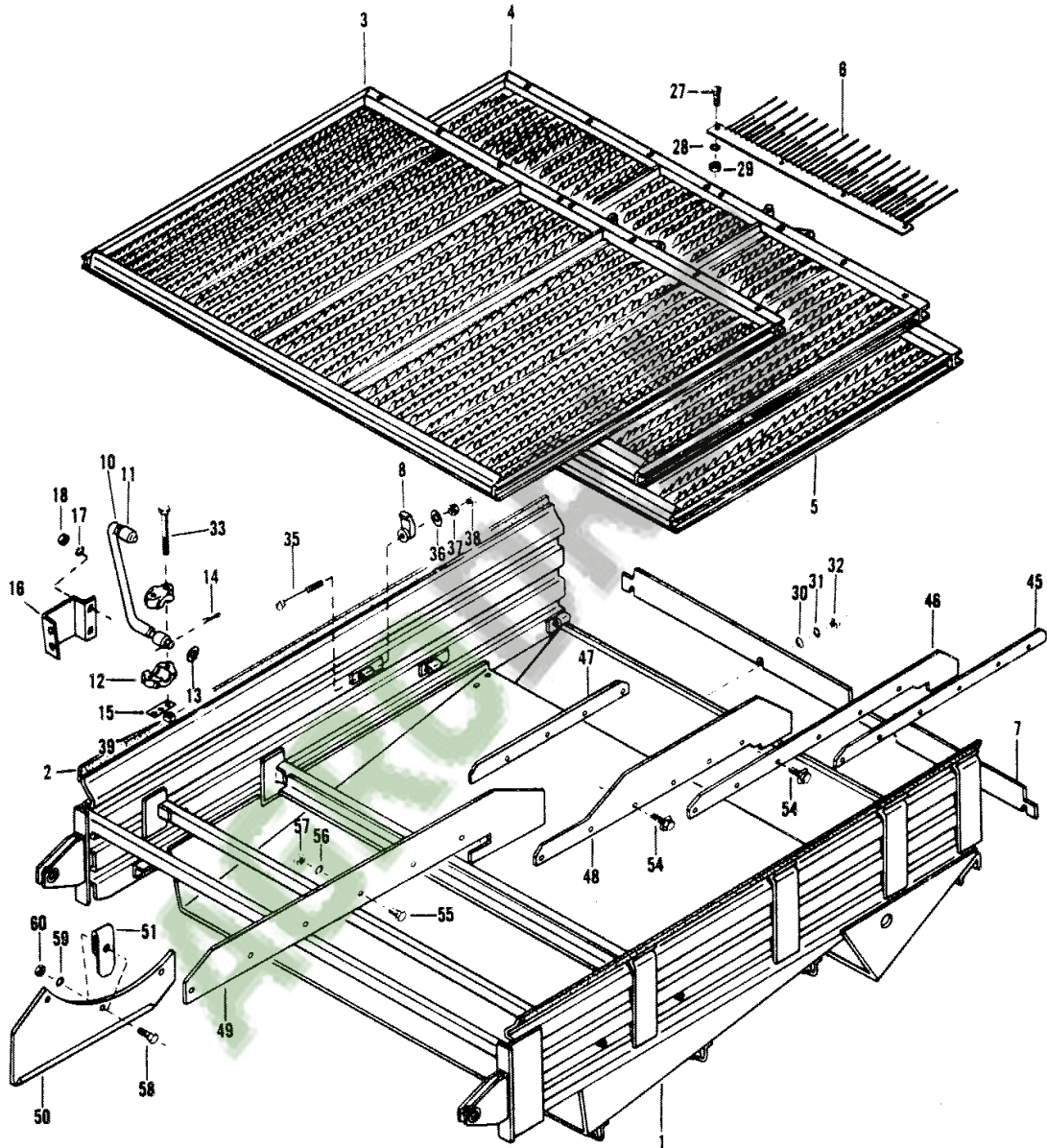
1st Print

651 331 M95 (Issue 1) 12/??

142

SHAKERSHOE, SIDE HILL PERFORMANCE KIT

1888 040-3



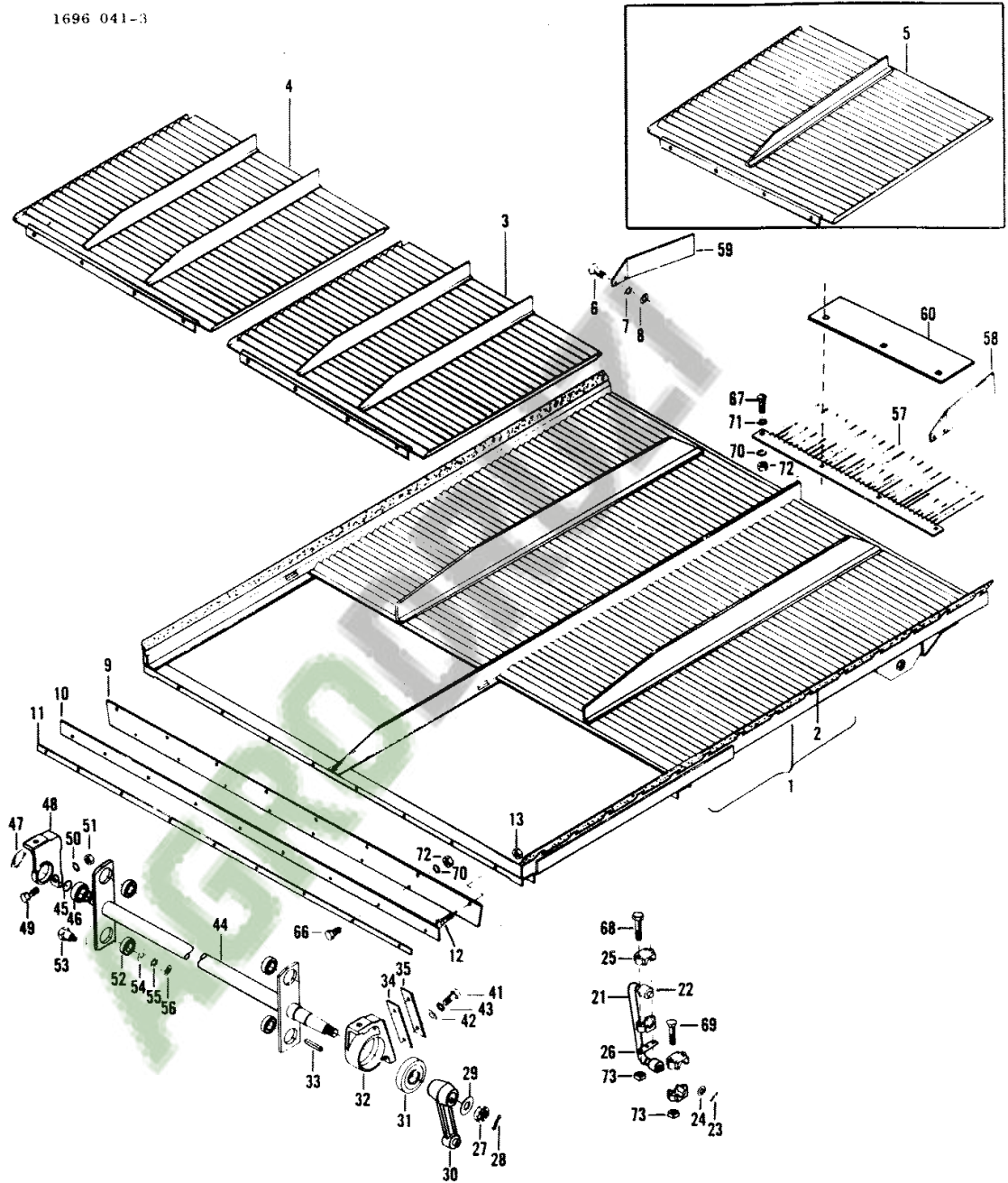
1st Print

651 331 M95 (Issue 1) 12/77

GRAIN PAN AND SHAKER SHAFT

145

1696 041-3



1st Print

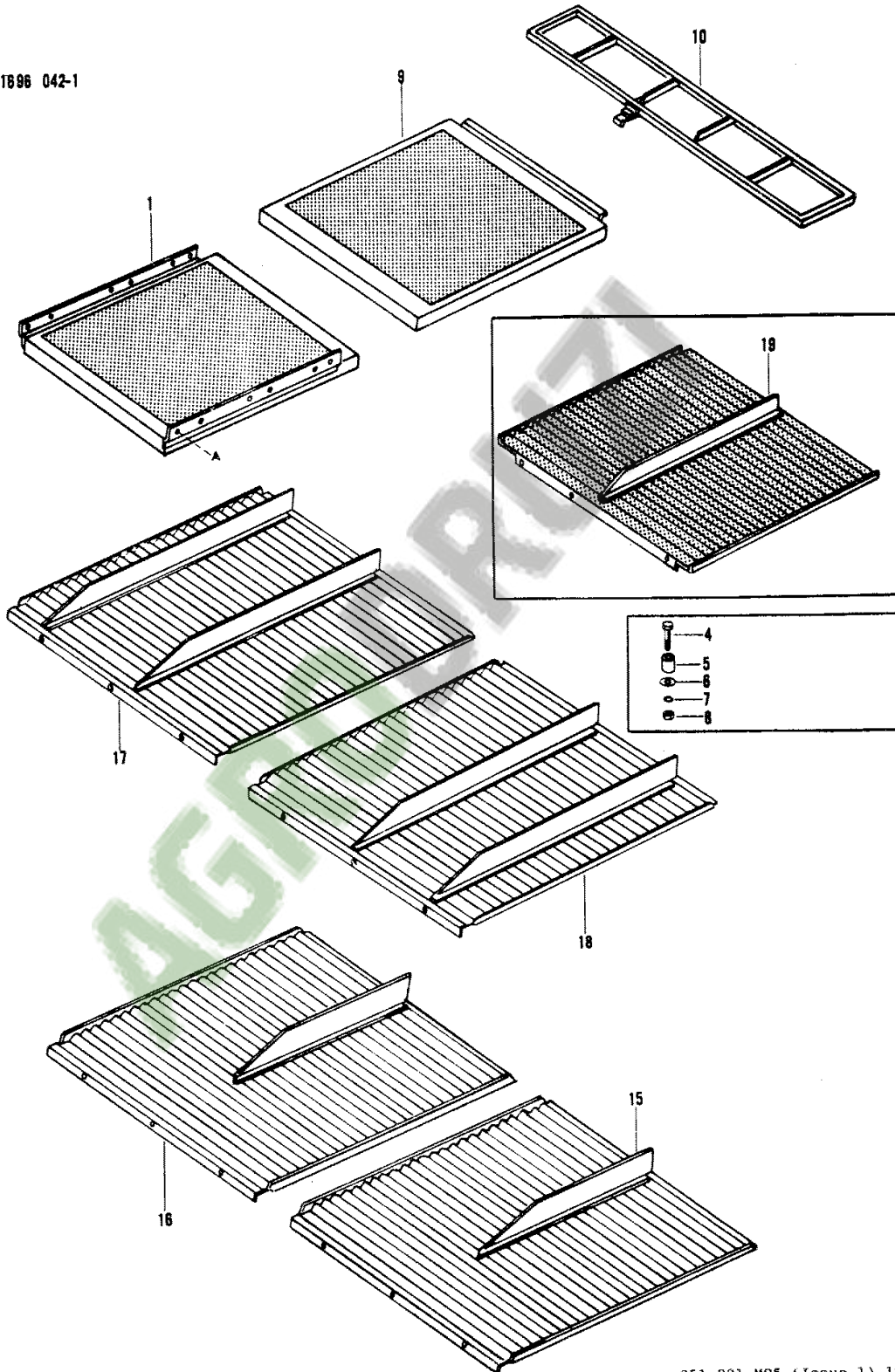
651 331 M95 (Issue 1) 12/7



146

SCREENS

1696 042-1

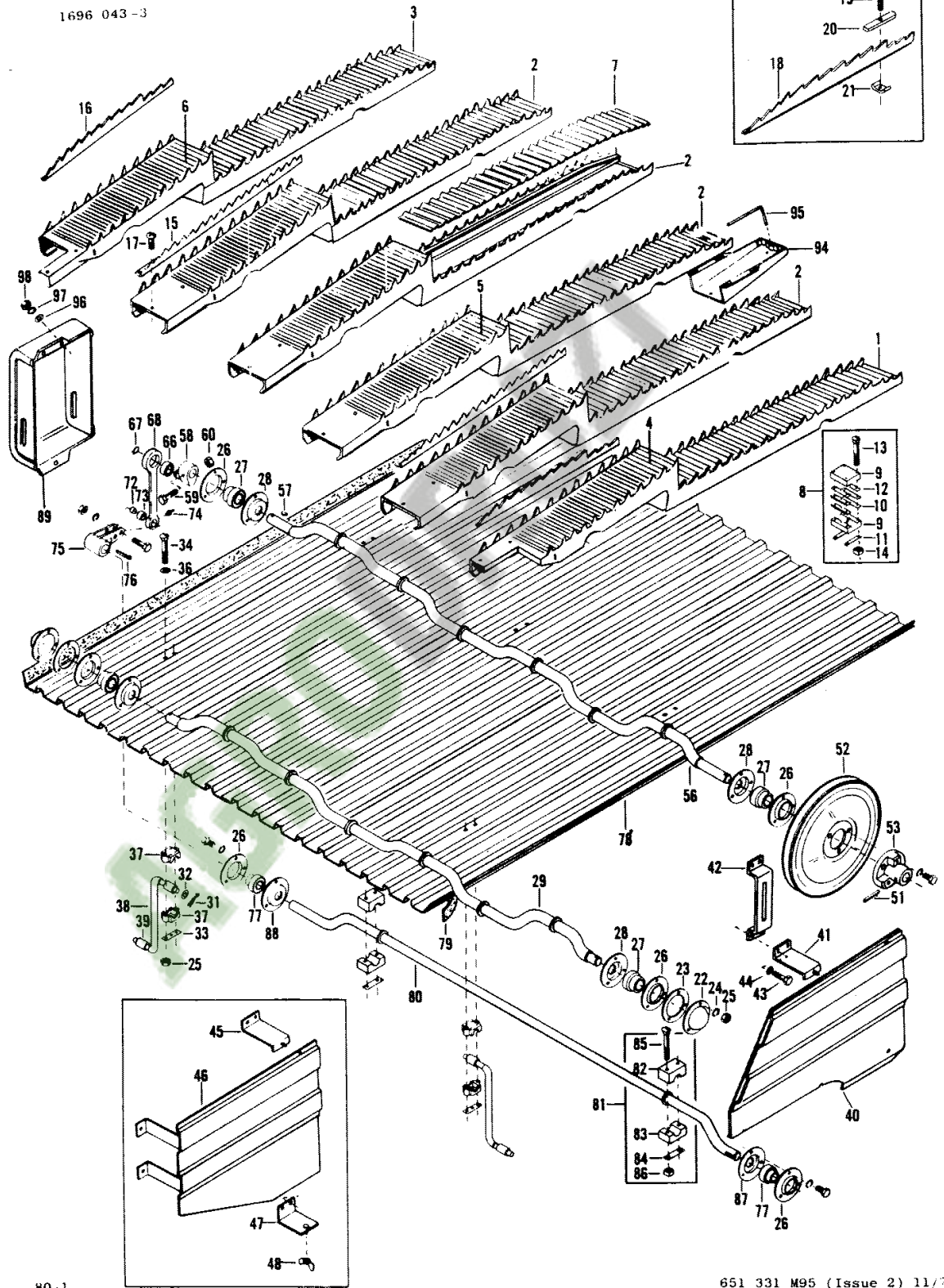


1st Print

651 331 M95 (Issue 1) 12/77

STRAW WALKERS

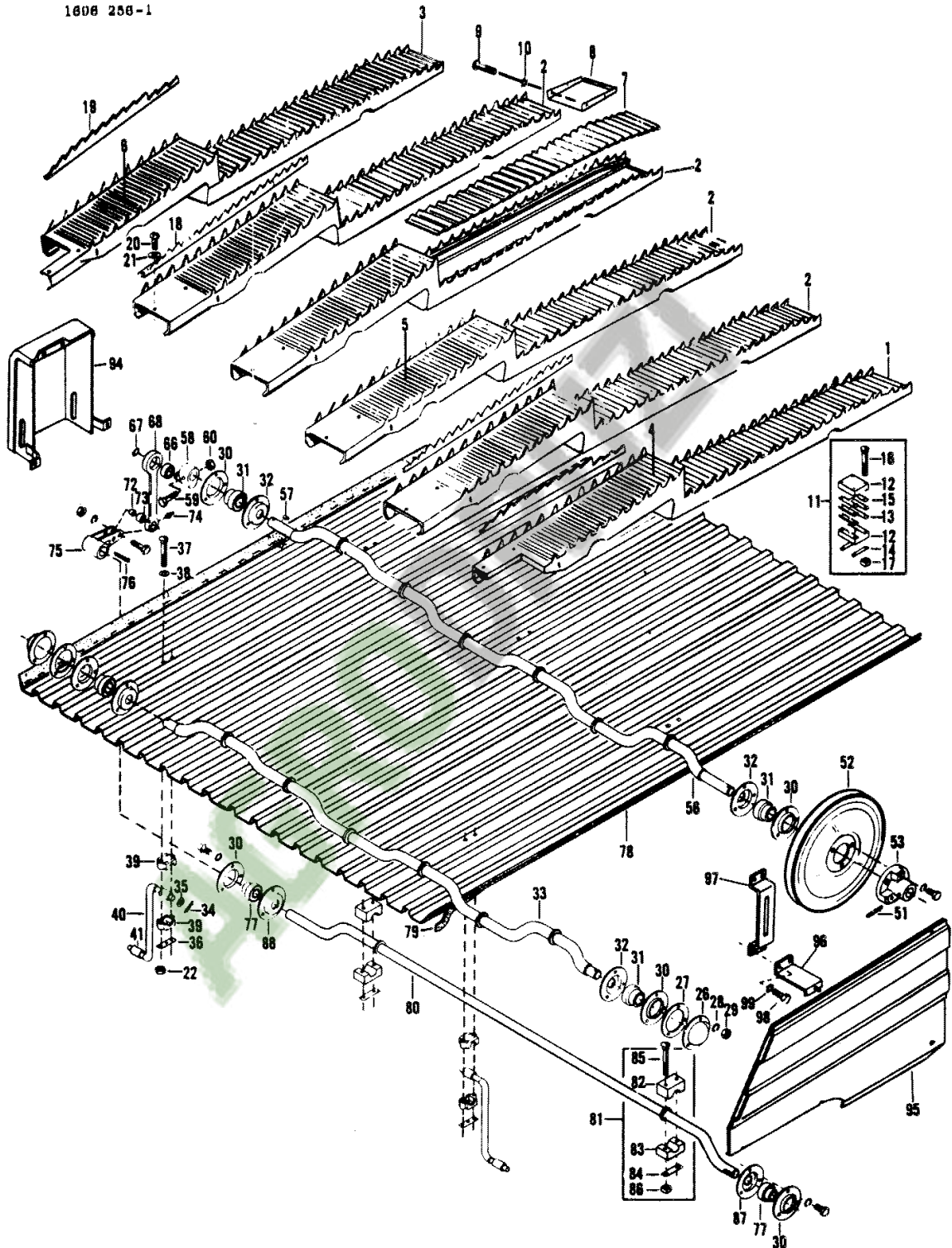
149



150

STRAW WALKERS

1608 258-1



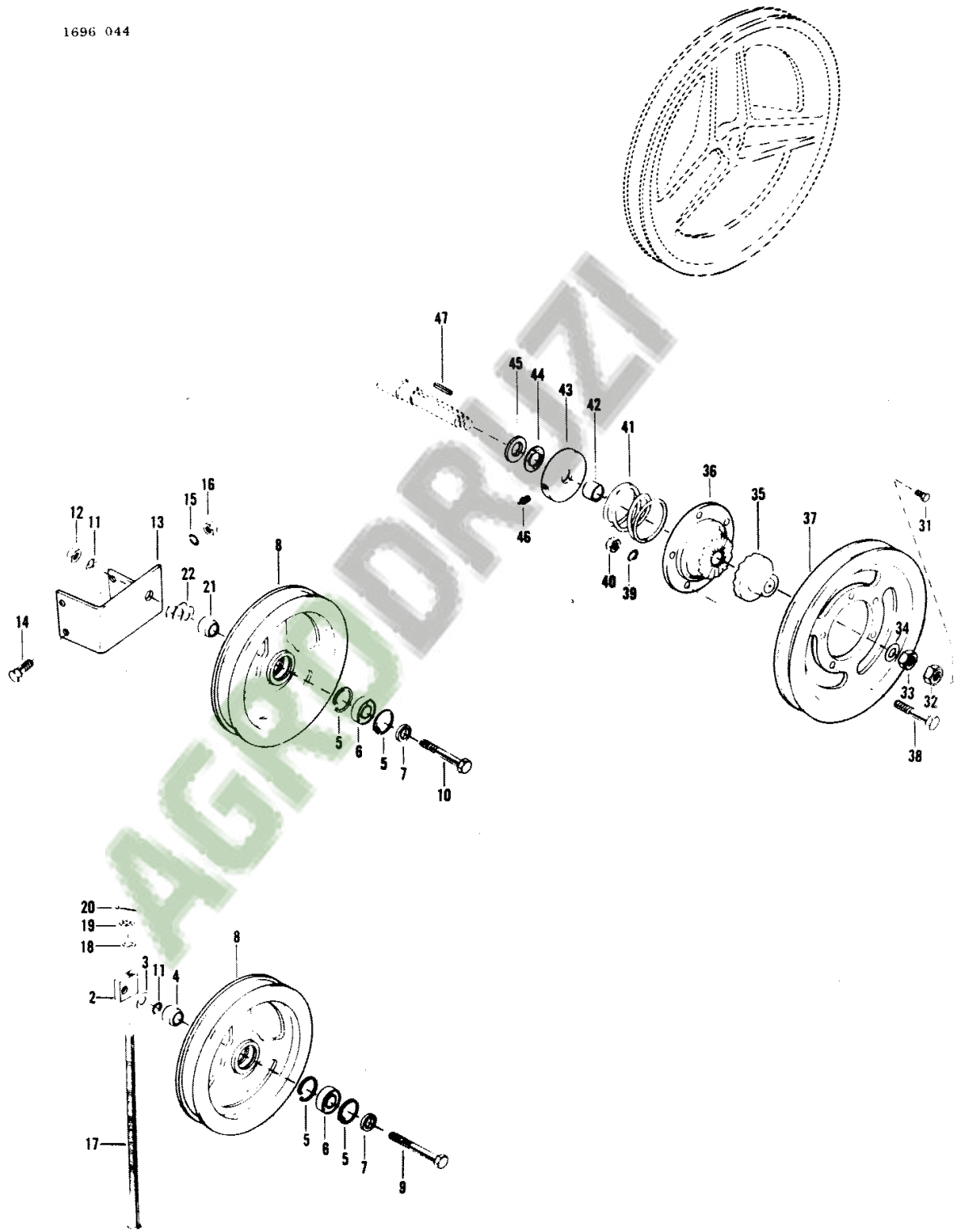
79-16

651 331 M95 (Issue 2) 2/79

STRAW WALKERS AND RETURNS ELEVATOR DRIVE

153

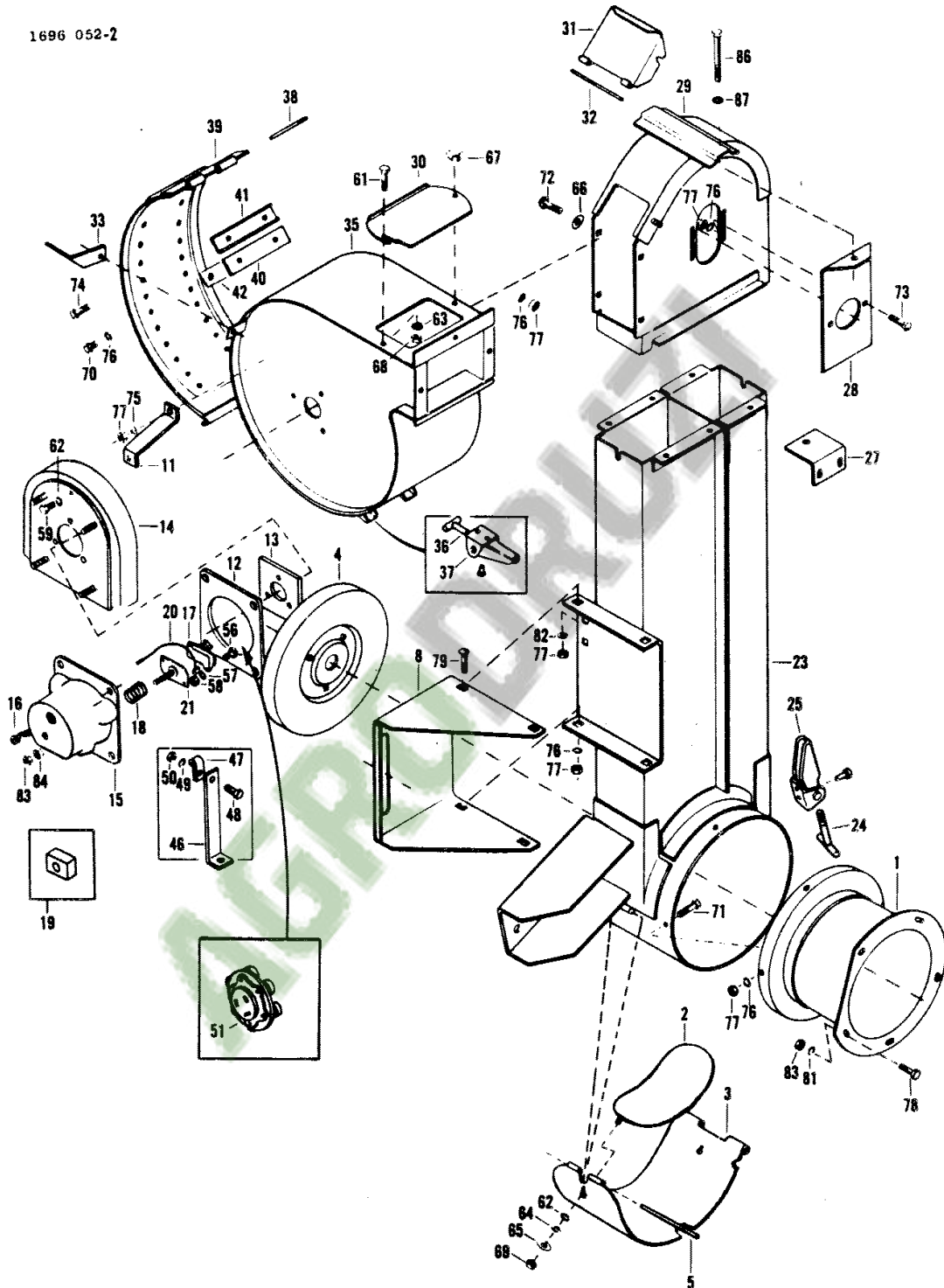
1696 044



154

RETURNS ELEVATOR

1696 052-2



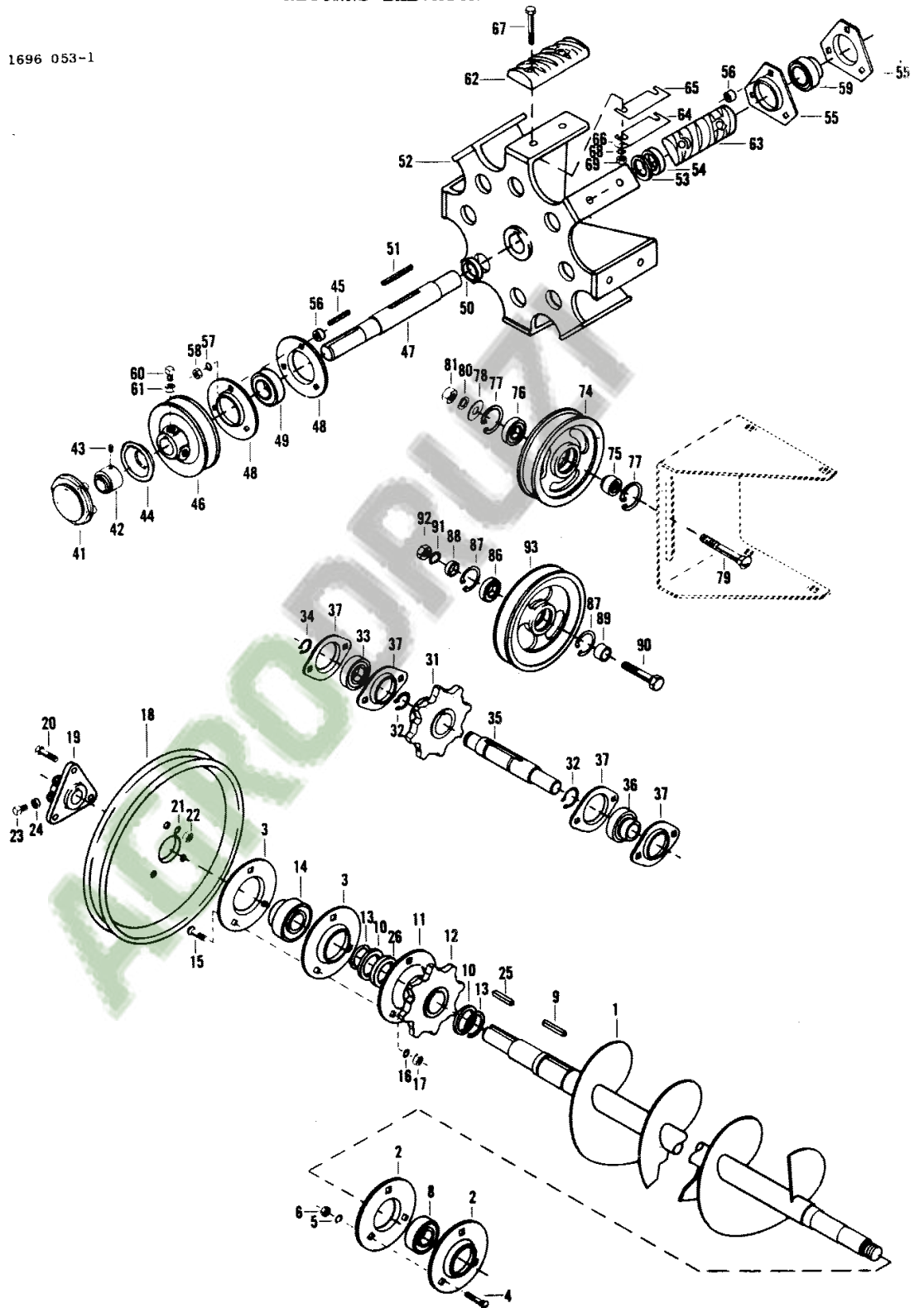
1st Print

651 331 M95 (Issue 1) 12/77

RETURNS ELEVATOR CARRIERS

157

1696 053-1



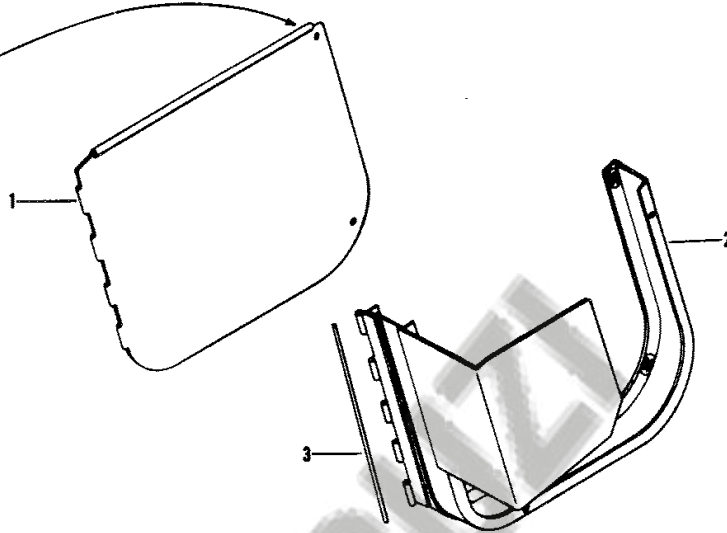
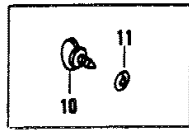
80-1

651 331 M95 (Issue 2) 11.

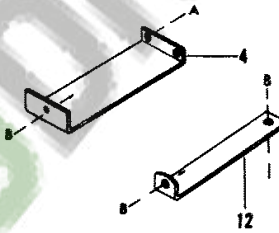
158

RETURNS ELEVATOR SHIELDS

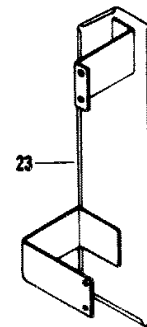
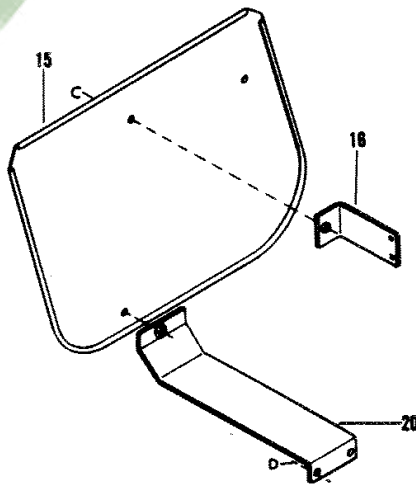
1696 289



- |   |   |
|---|---|
| A | B |
| 5 | 7 |
| 6 | 8 |
|   | 9 |



- |    |    |
|----|----|
| C  | D  |
| 17 | 21 |
| 18 | 22 |
| 19 |    |



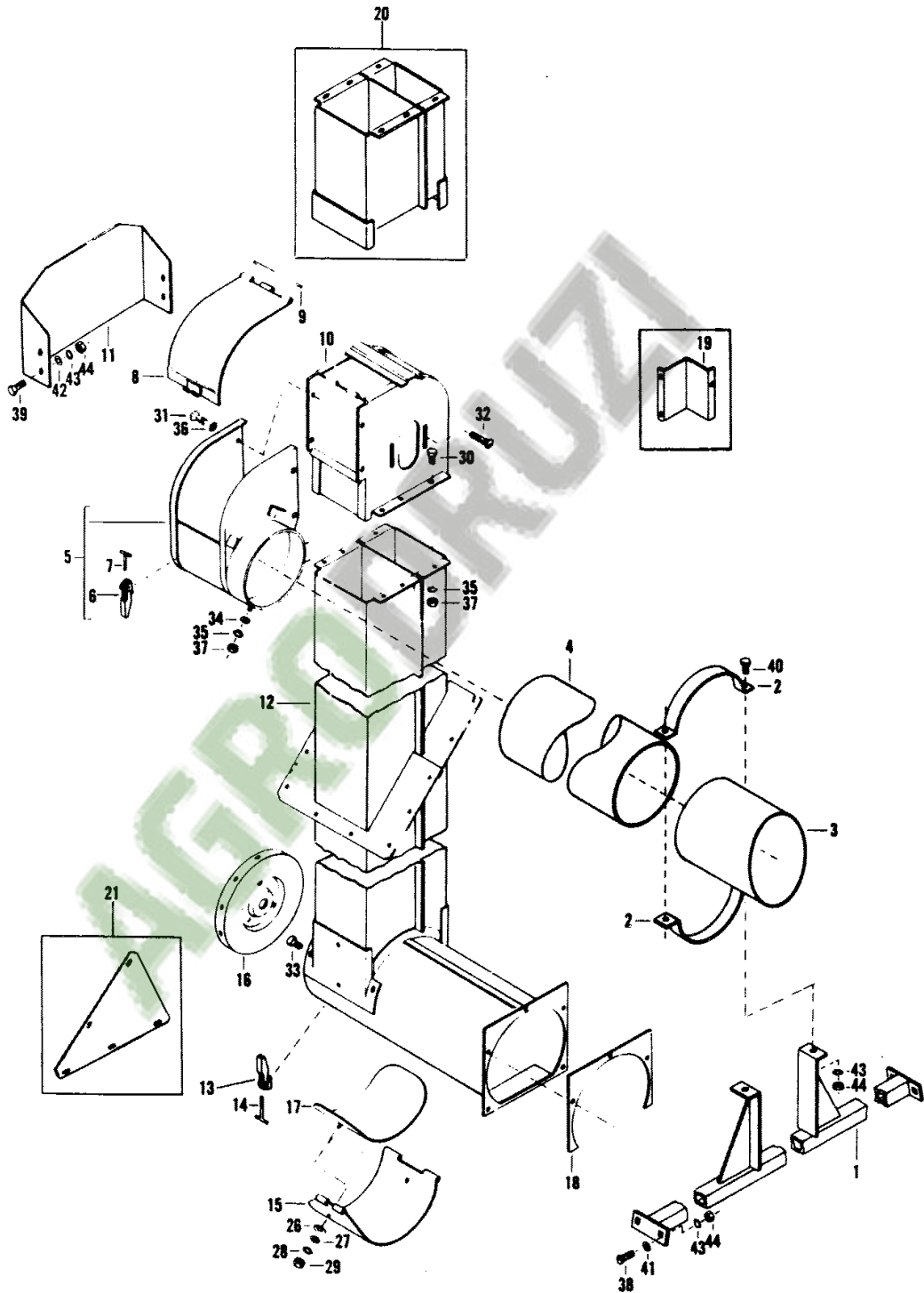
1st Print

651 331 M95 (Issue 1) 12/77

GRAIN ELEVATOR

161

1696 046 -2



1st Print

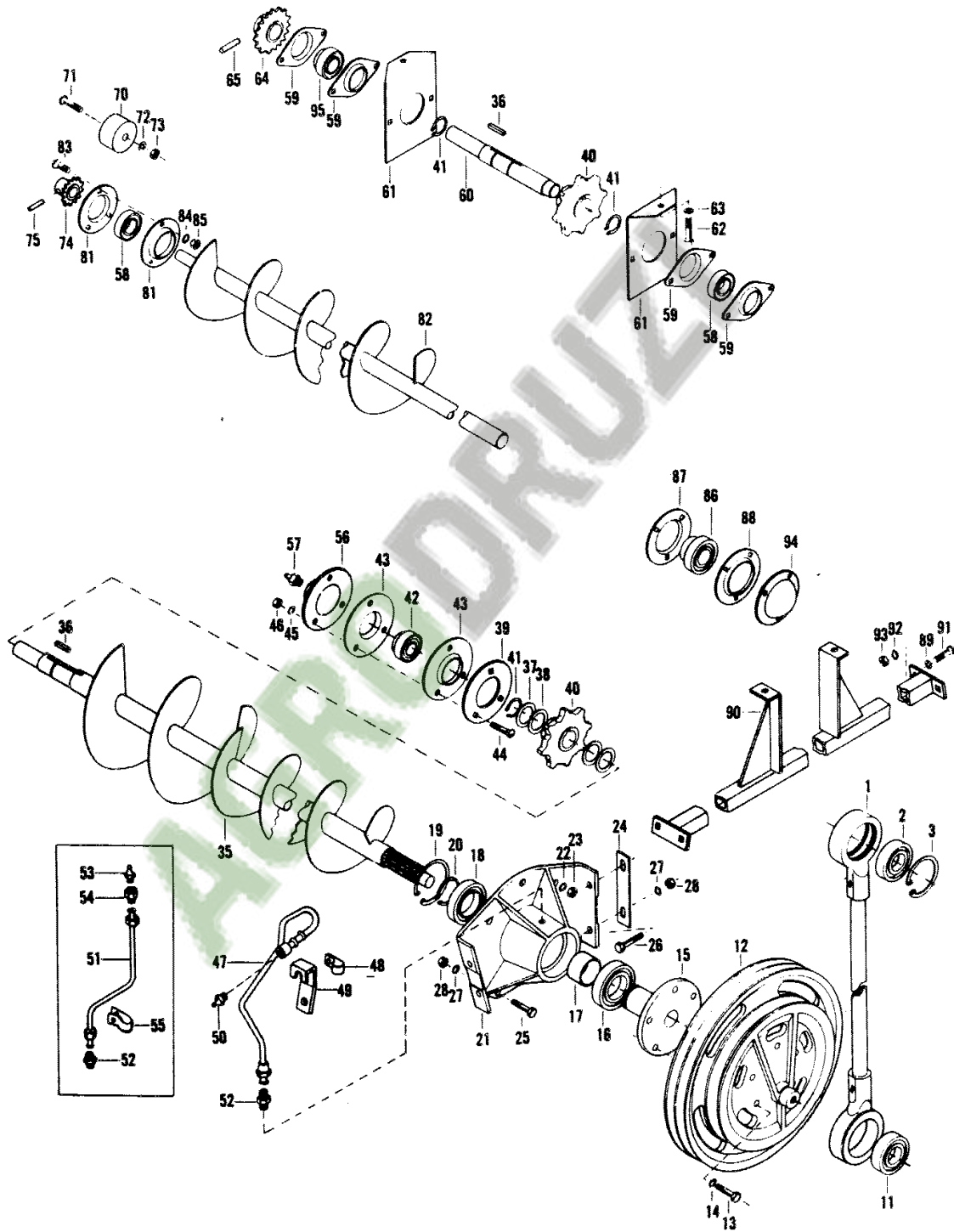
651 331 M95 (Issue 1) 12/7.



162

GRAIN ELEVATOR DRIVE

1696 047-2



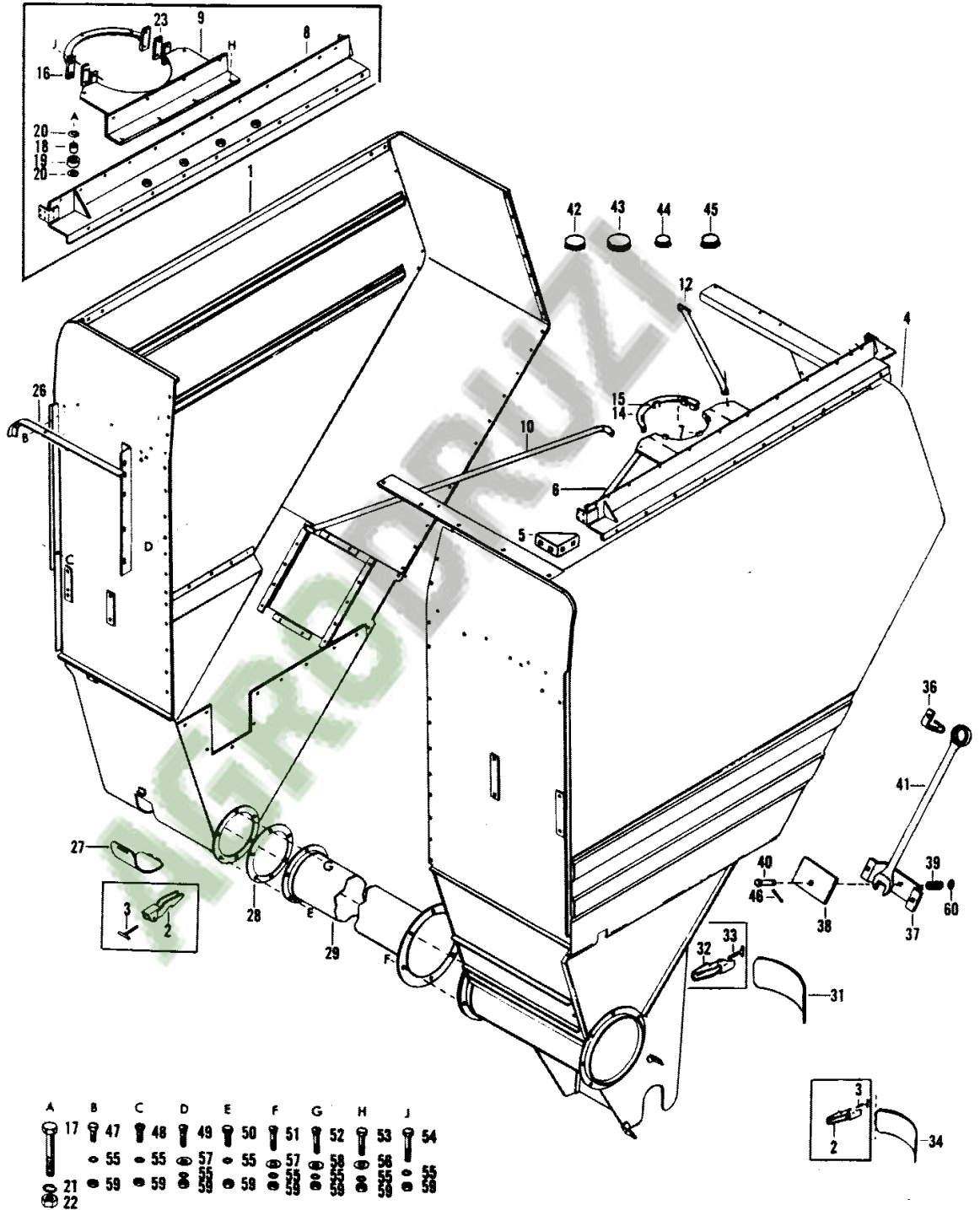
1st Print

651 331 M95 (Issue 1) 12/77

GRAIN TANK

165

1696 048-2



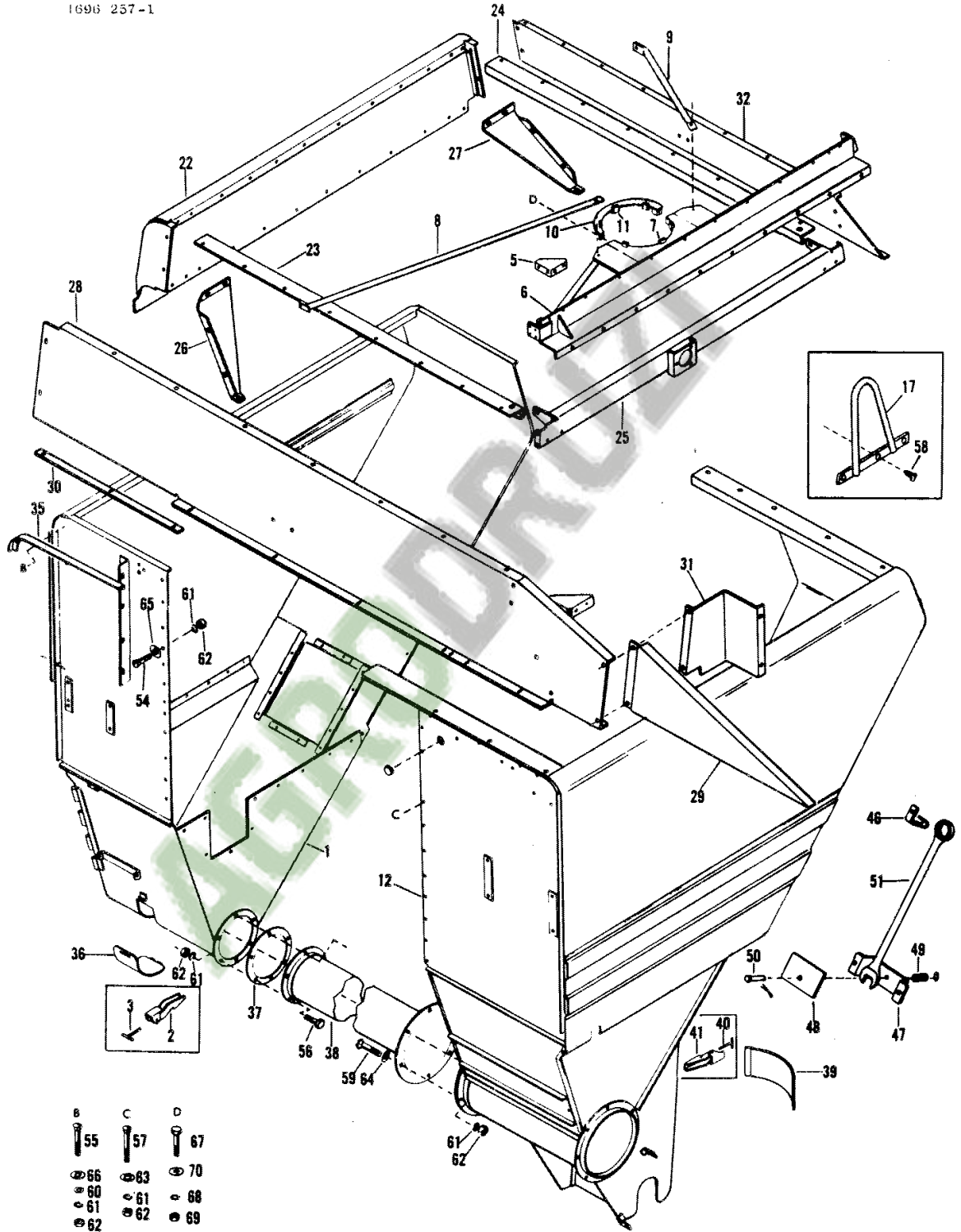
79-16

651 331 M95 (Issue 2) 2/79

166

GRAIN TANK

1696 257-1



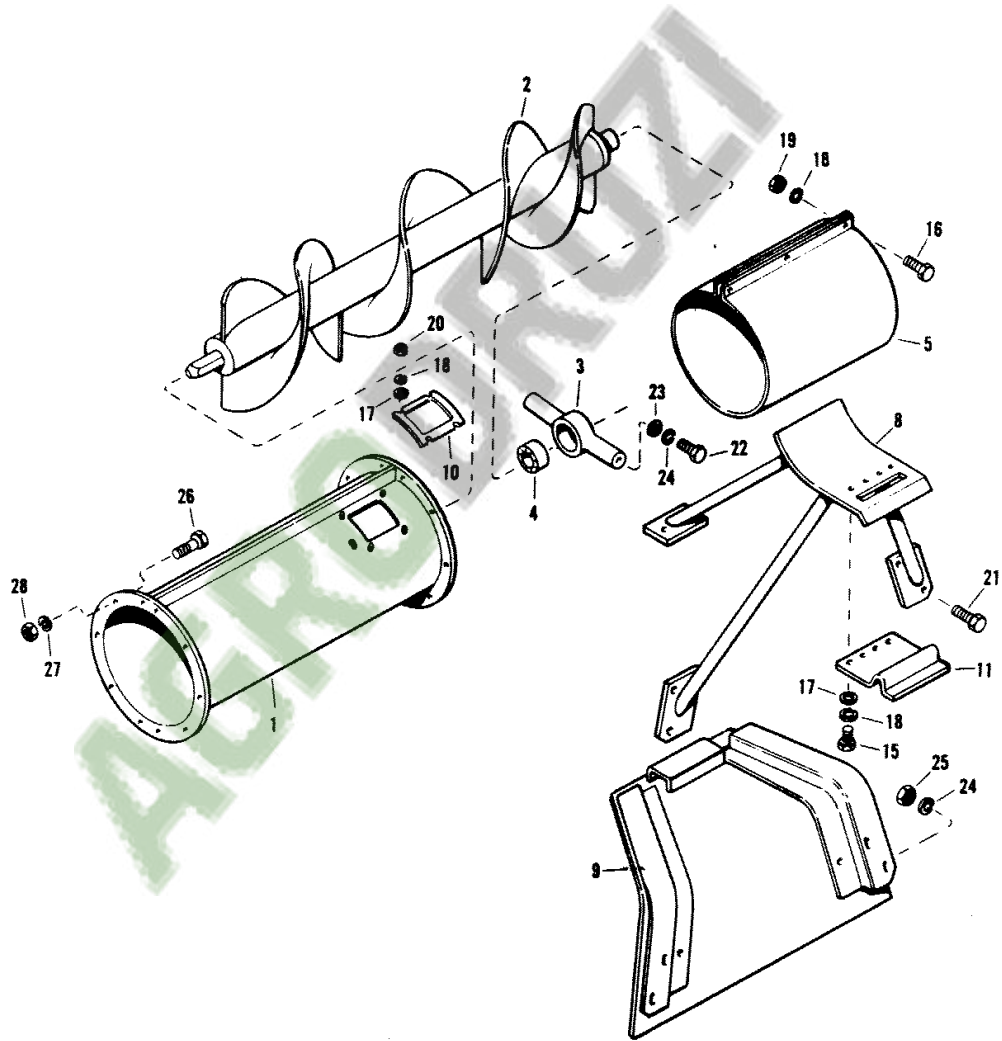
79-16

651 331 M95 (Issue 2) 2/79

GRAIN TANK UNLOADER EXTENSION

169

1696 301



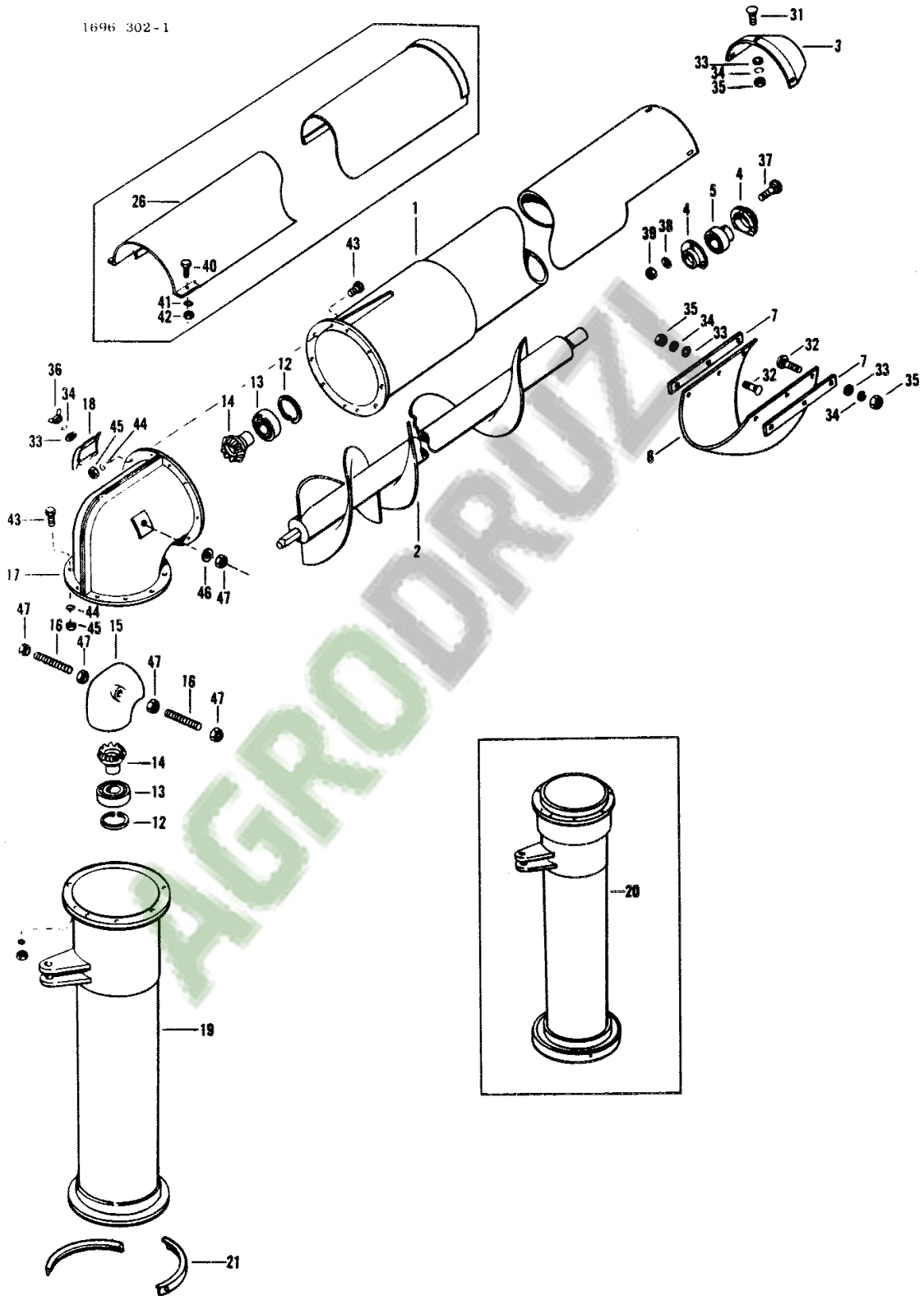
1st Print

651 331 M95 (Issue 1) 12/...

170

GRAIN TANK UNLOADER TOP

1696 302-1

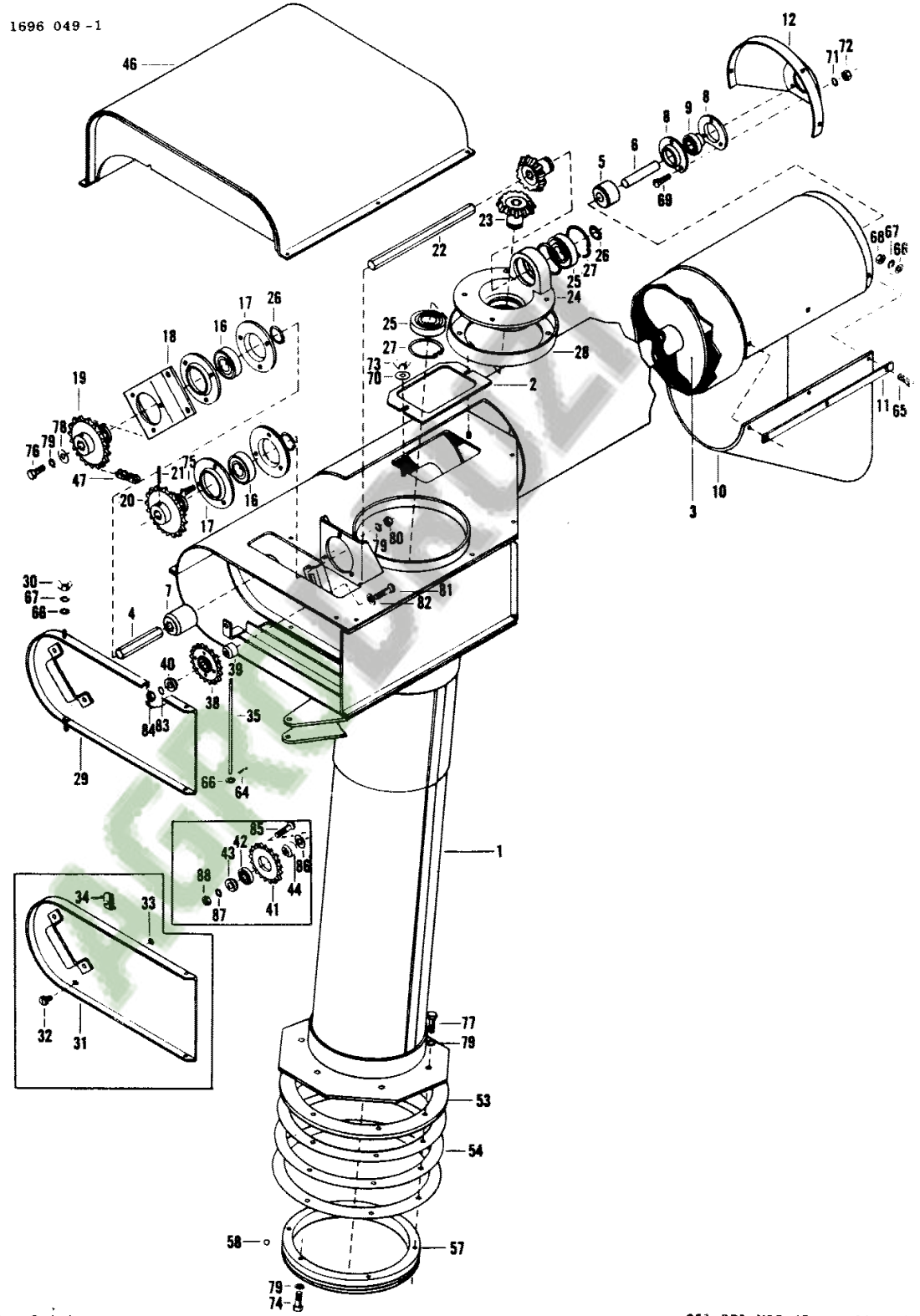


79-45

651 331 M95 (Issue 3) 5/79

GRAIN TANK UNLOADER TOP

173



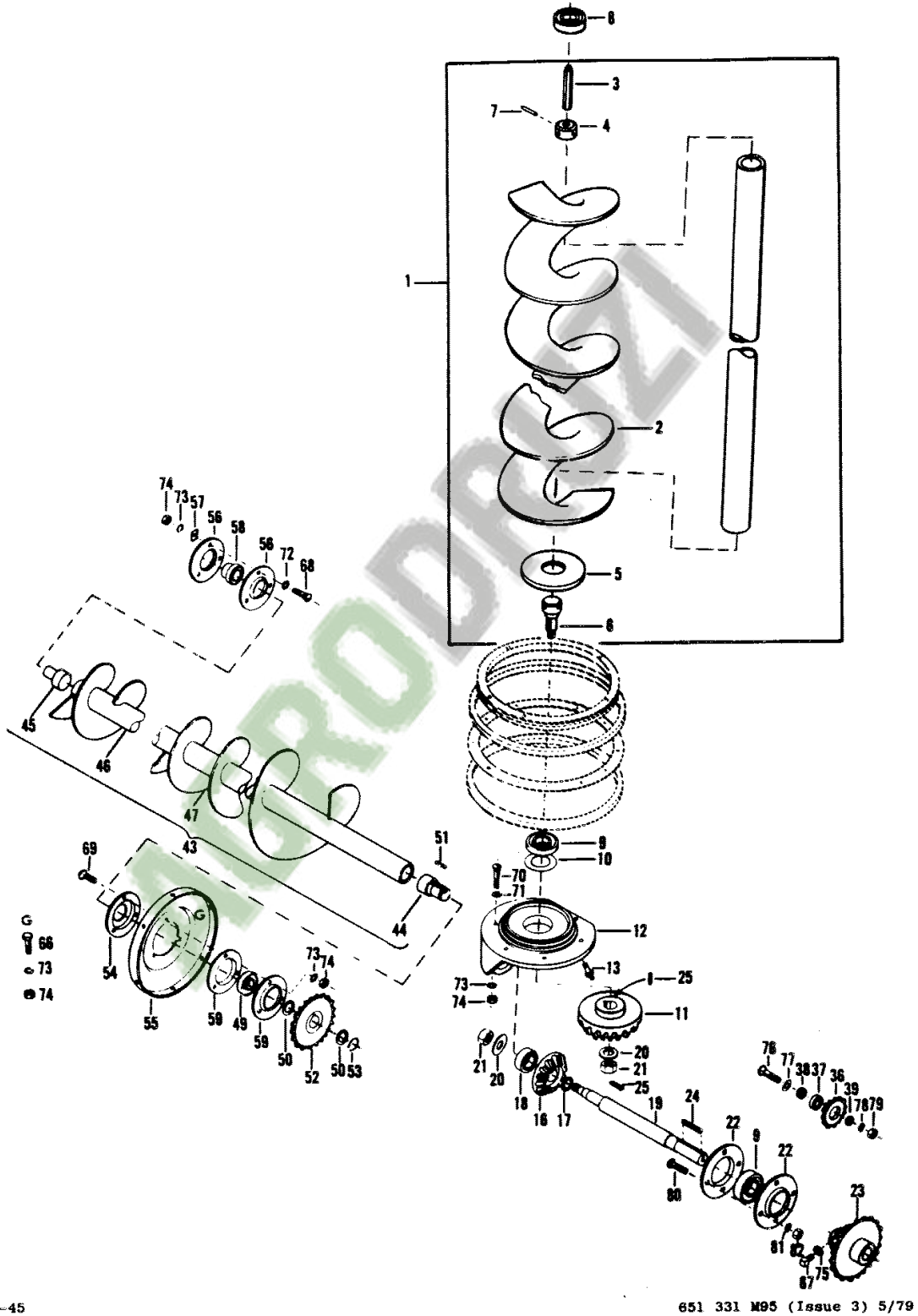
1st Print

651 331 M95 (Issue 1) 12.0

174

GRAIN TANK UNLOADER BOTTOM

1696 379-1



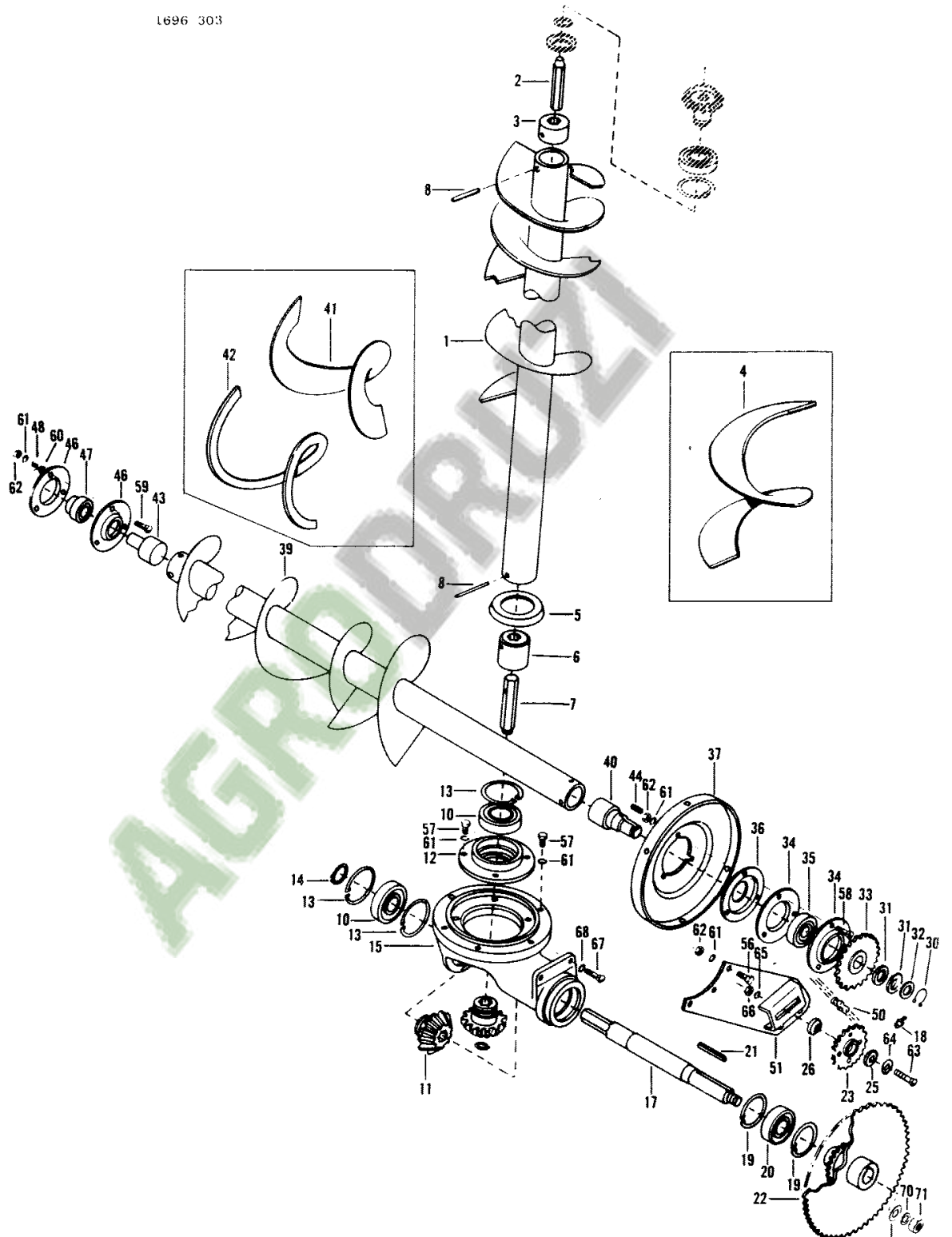
79-45

651 331 M05 (Issue 3) 5/79

GRAIN TANK UNLOADER BOTTOM

175B

1696 303



79-16

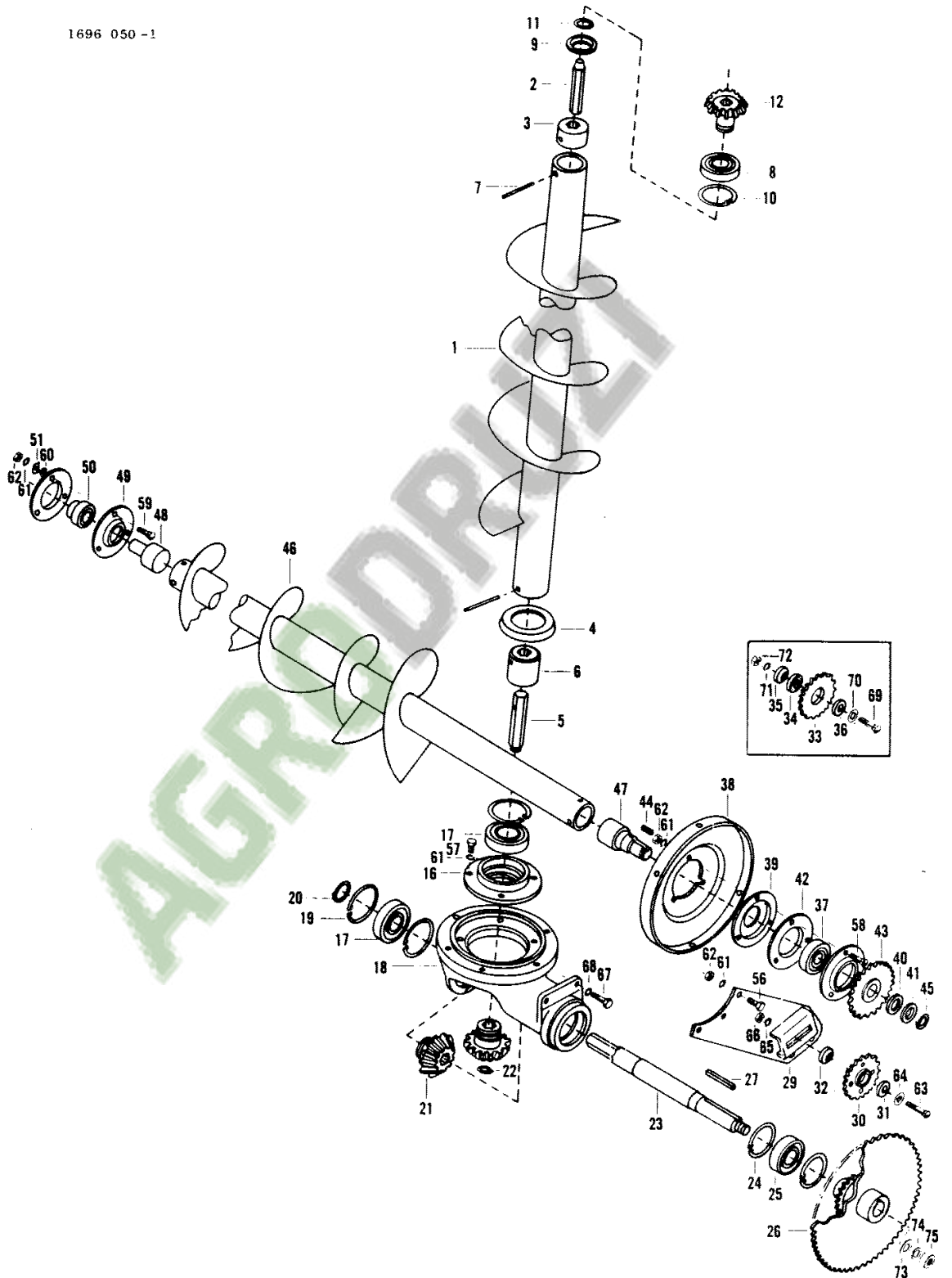
651 331 M95 (Issue 2) 2/79



GRAIN TANK UNLOADER BOTTOM

177

1696 050 -1



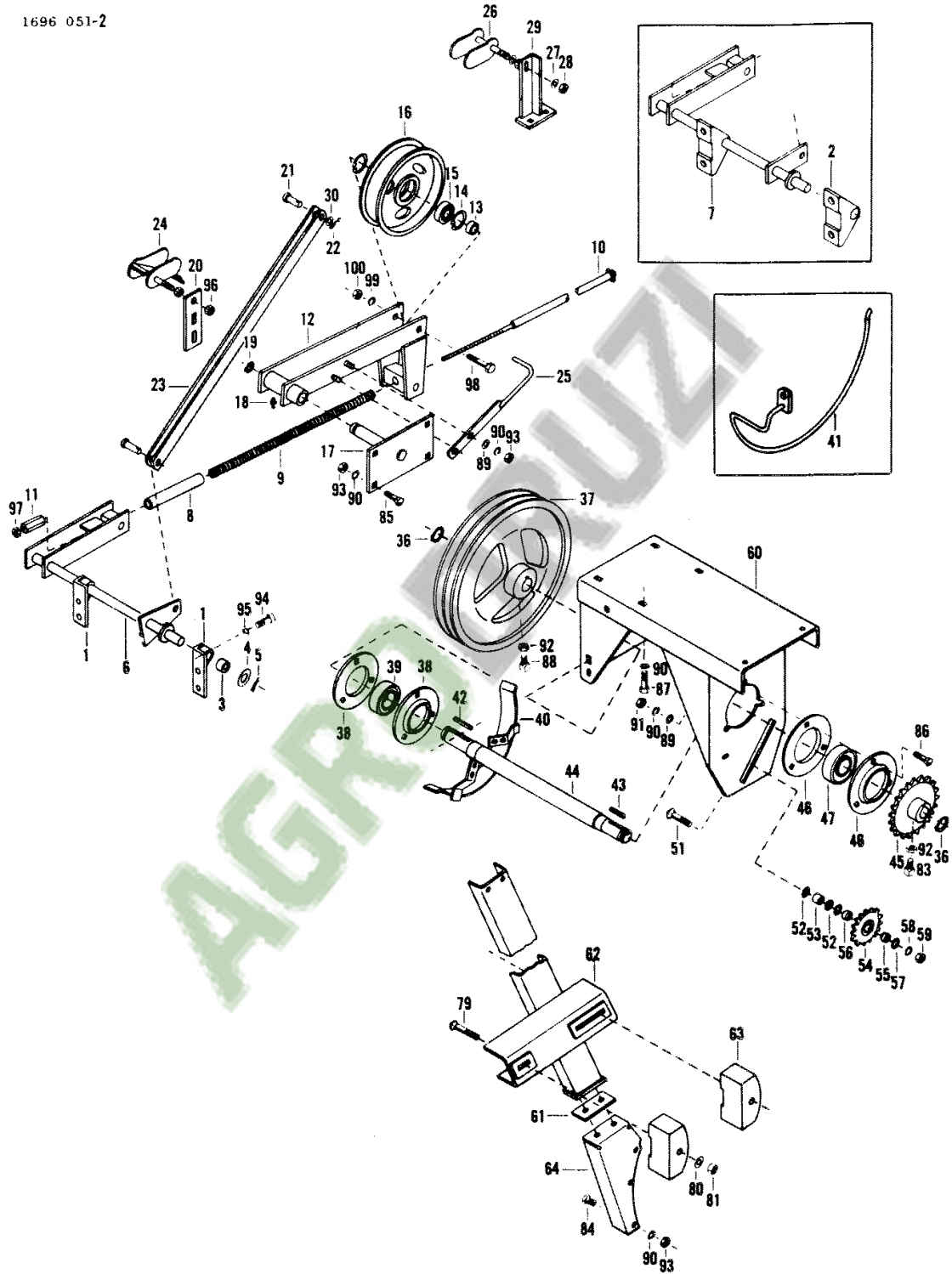
1st Print

651 331 M95 (Issue 1) 12/77

178

GRAIN TANK UNLOADER DRIVE

1696 051-2



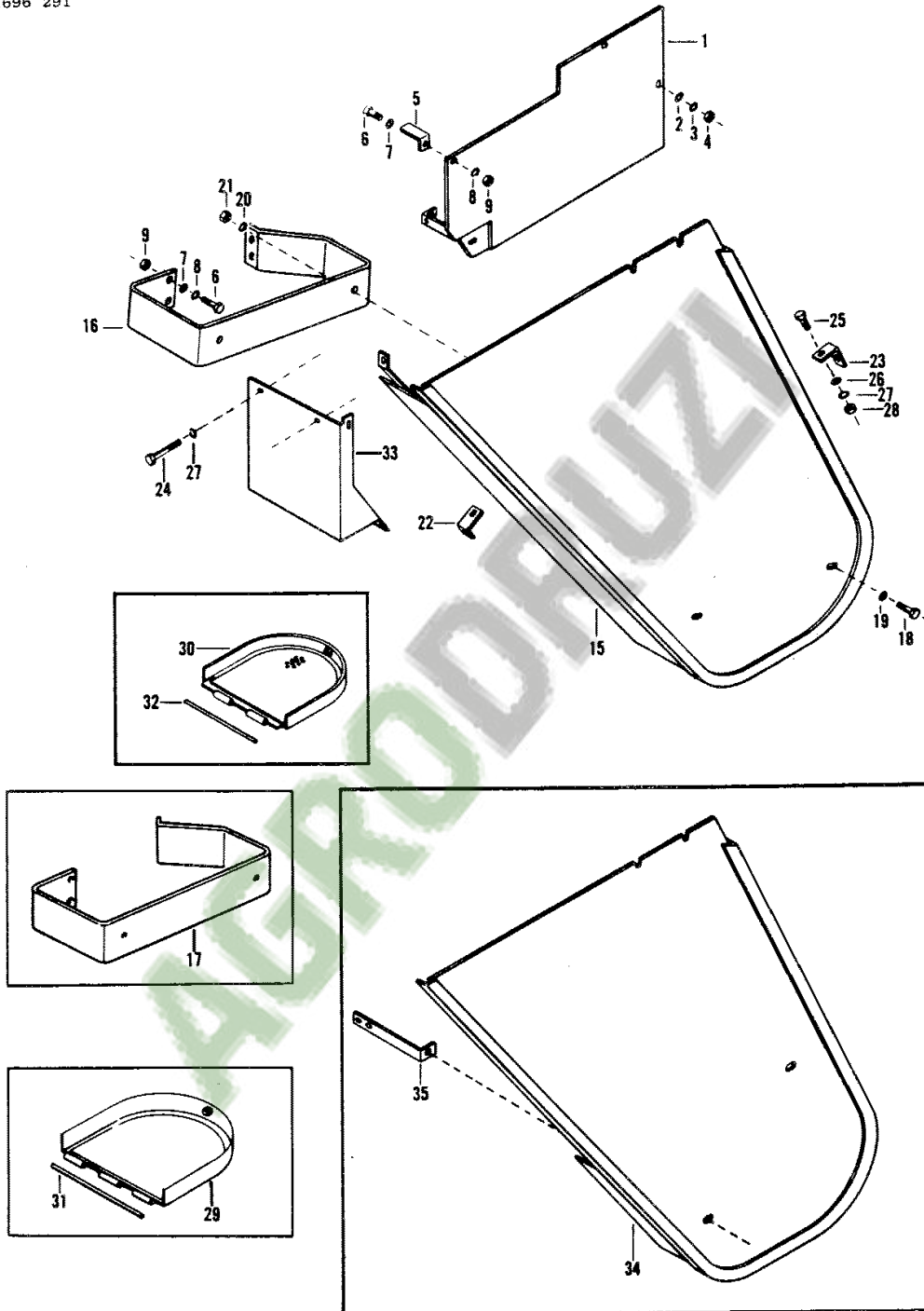
1st Print

651 331 M95 (Issue 1) 12/77

182

GRAIN TANK UNLOADER DRIVE SHIELDS

1696 291



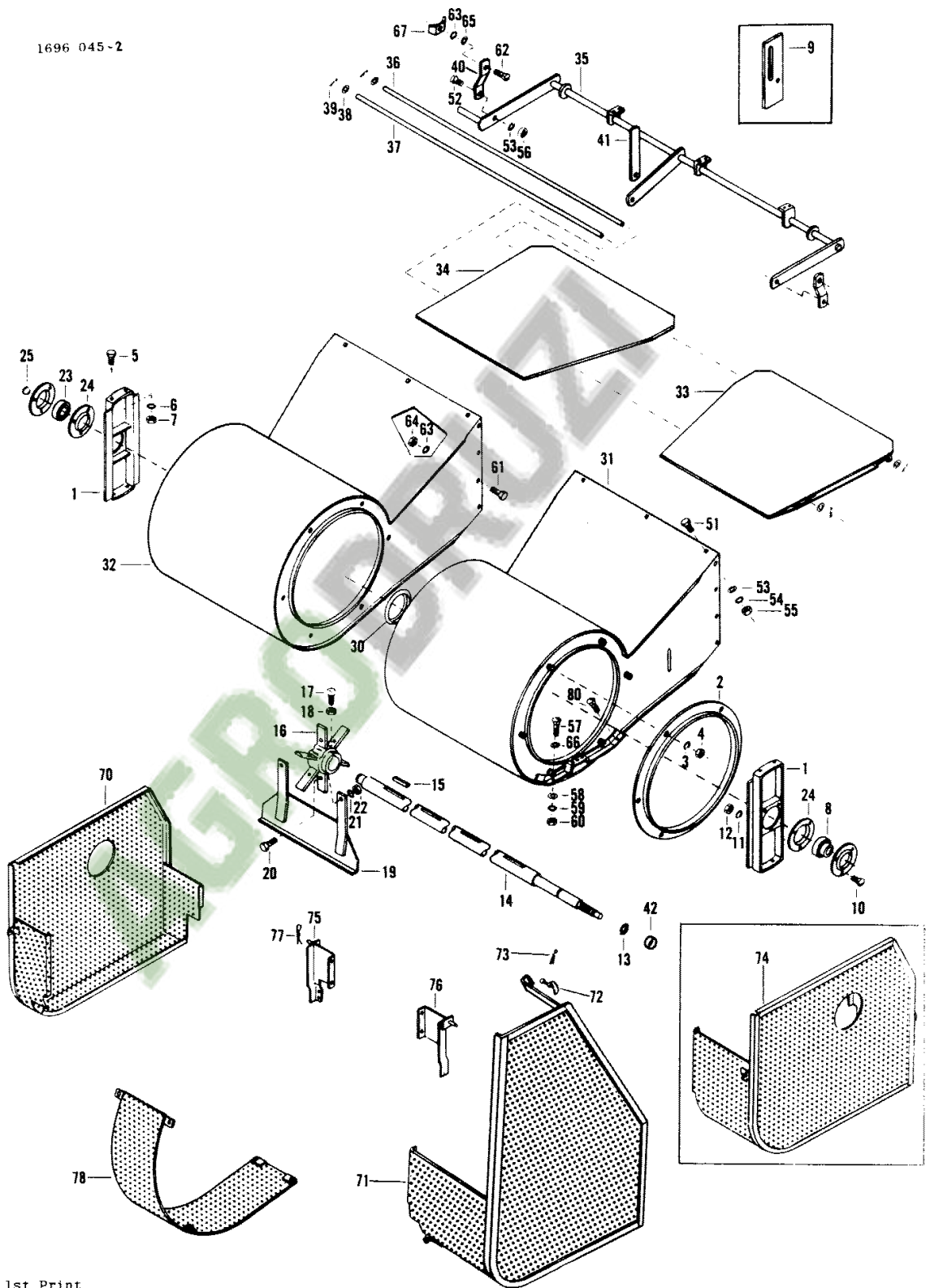
79-16

651 331 M95 (Issue 2) 2/79

1696 045-2

FANNING MILL

185

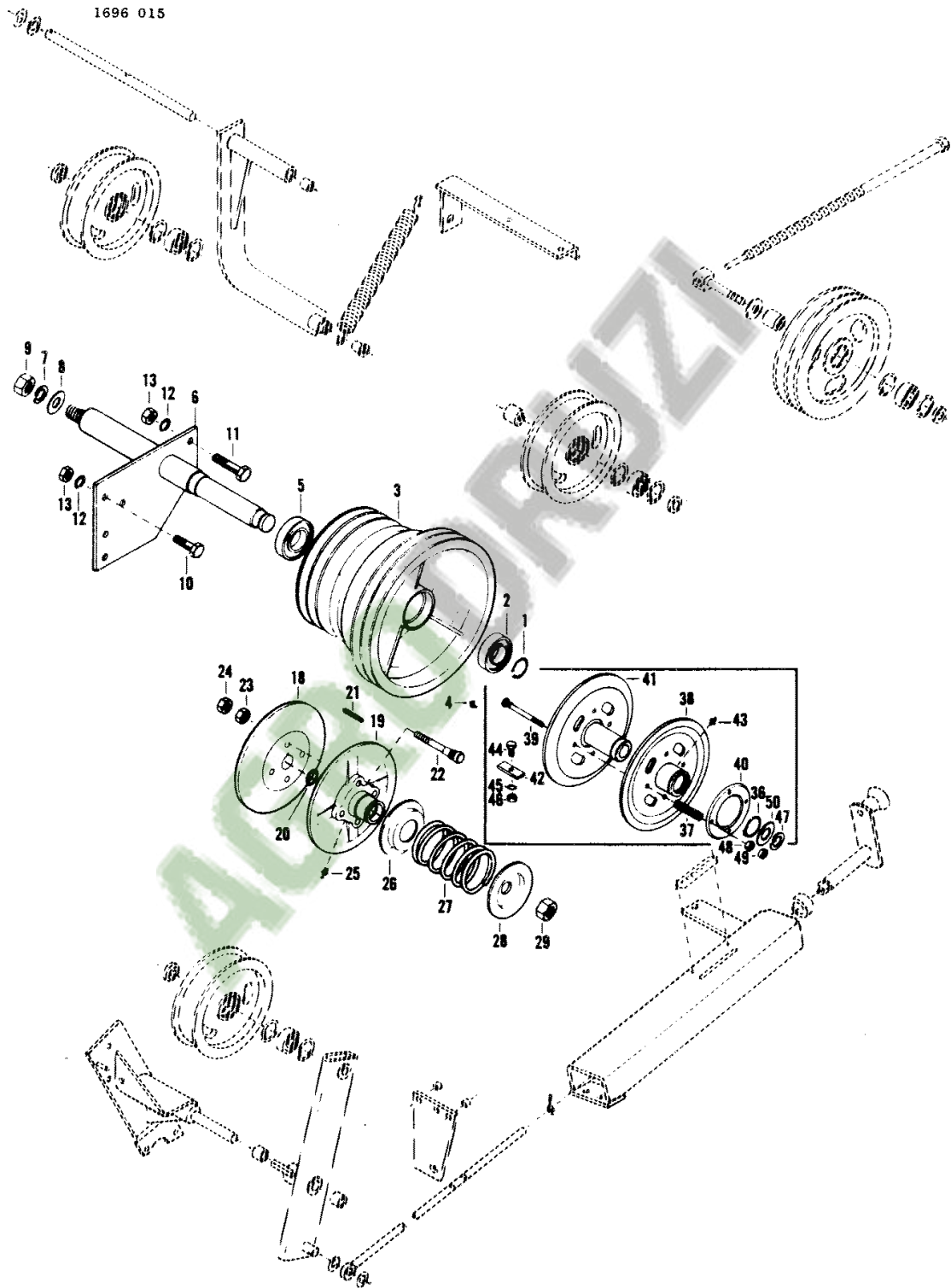


1st Print

651 331 M95 (Issue 1) 12/77

186

LEFT HAND DRIVE

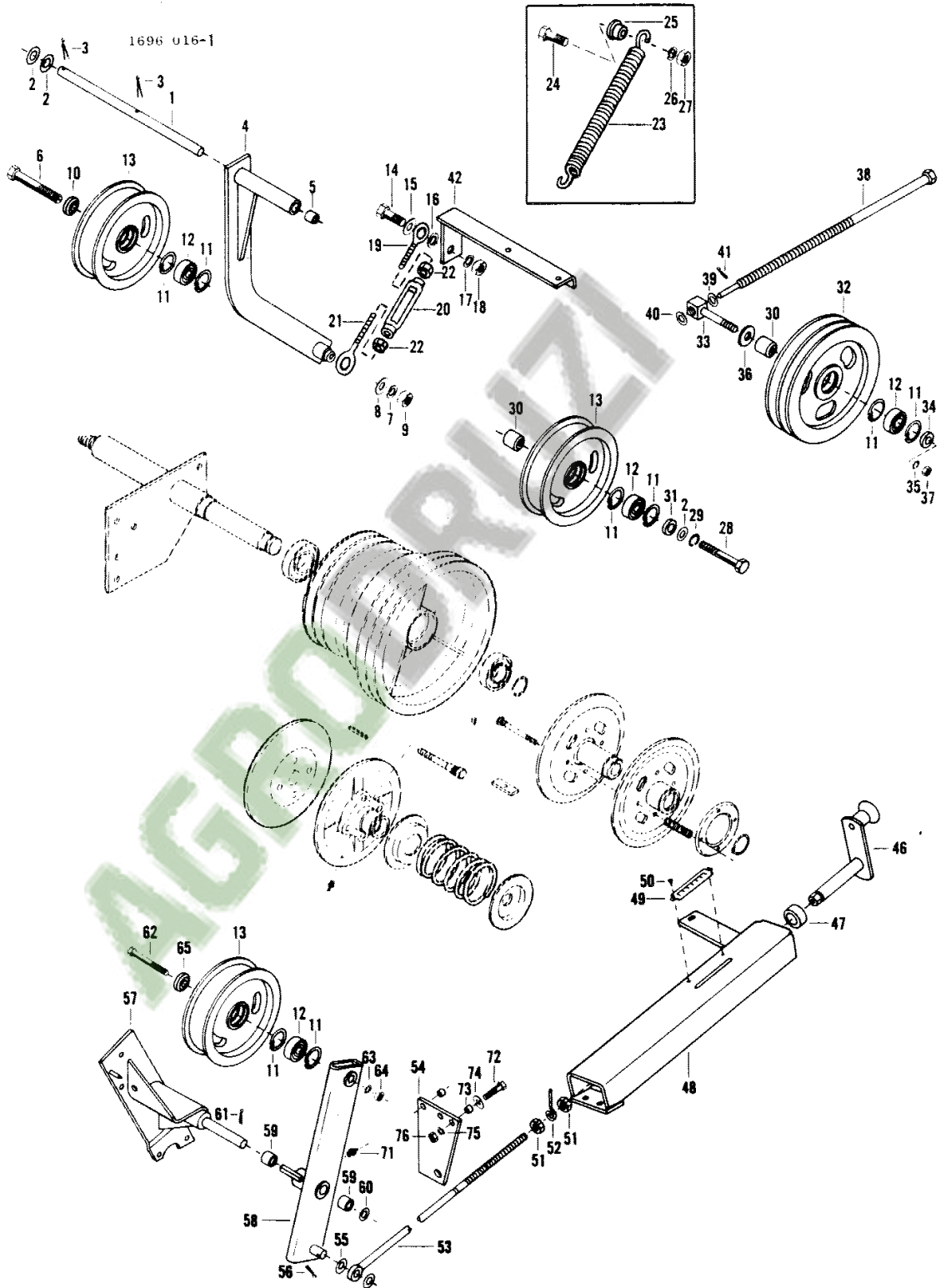


1st Print

651 331 M95 (Issue 1) 12/77

LEFT HAND DRIVE IDLERS

189

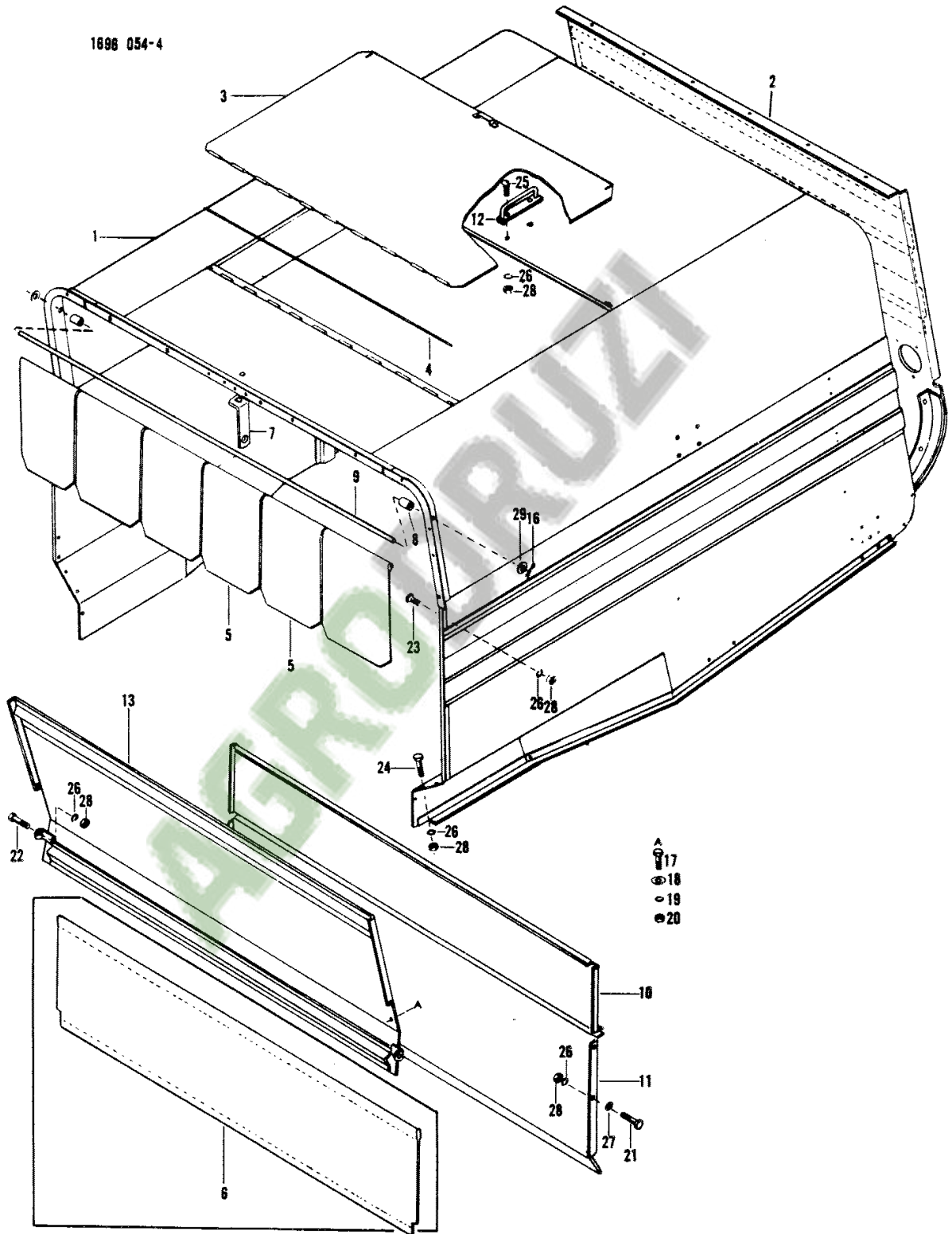


1st Print

651 331 M95 (Issue 1) 12/77

190

HOOD, CURTAIN AND DEFLECTOR



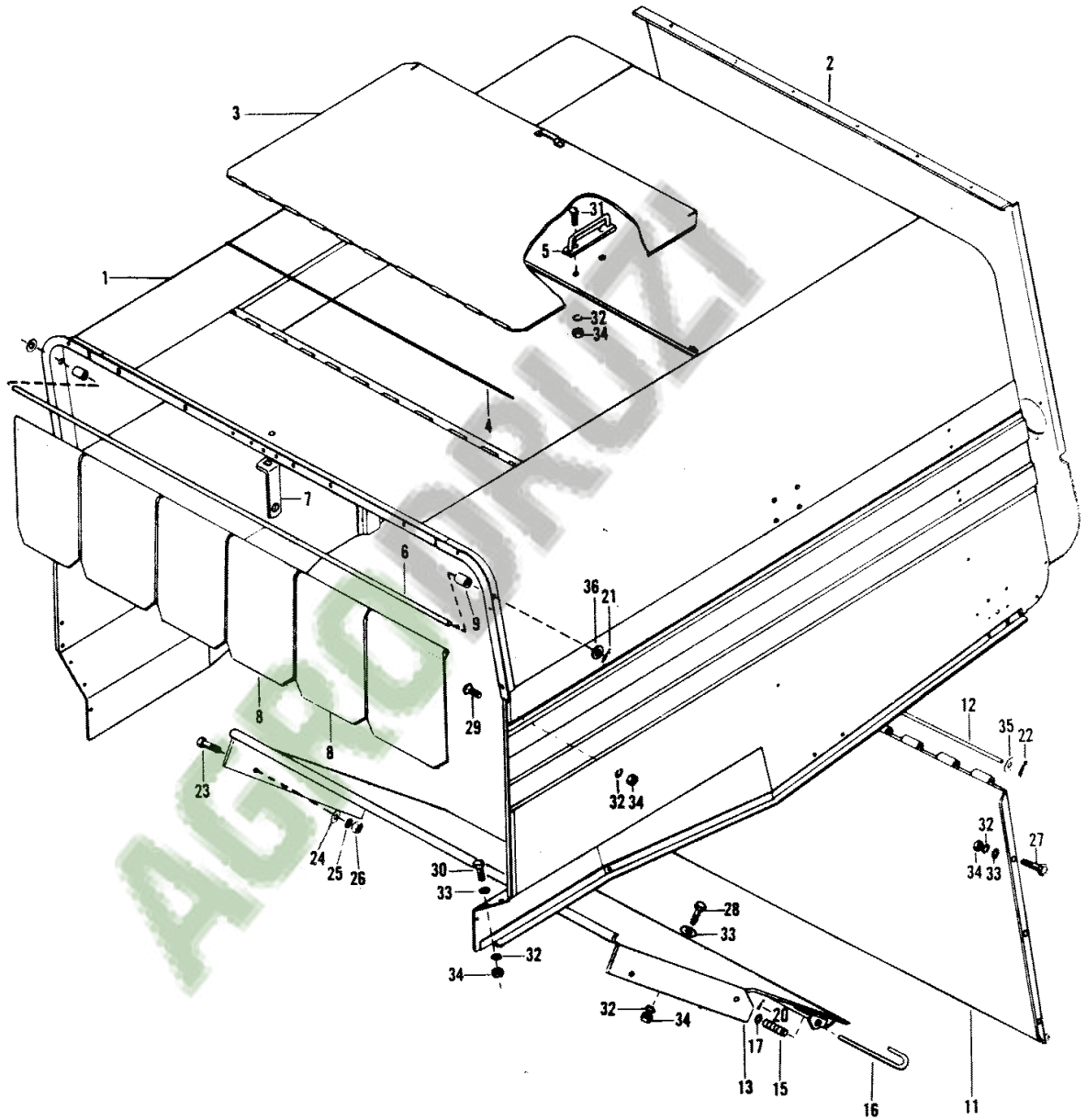
80-1

651 331 M95 (Issue 2) 11/79

HOOD, CURTAIN AND DEFLECTOR

193

1696 258-3



80-1

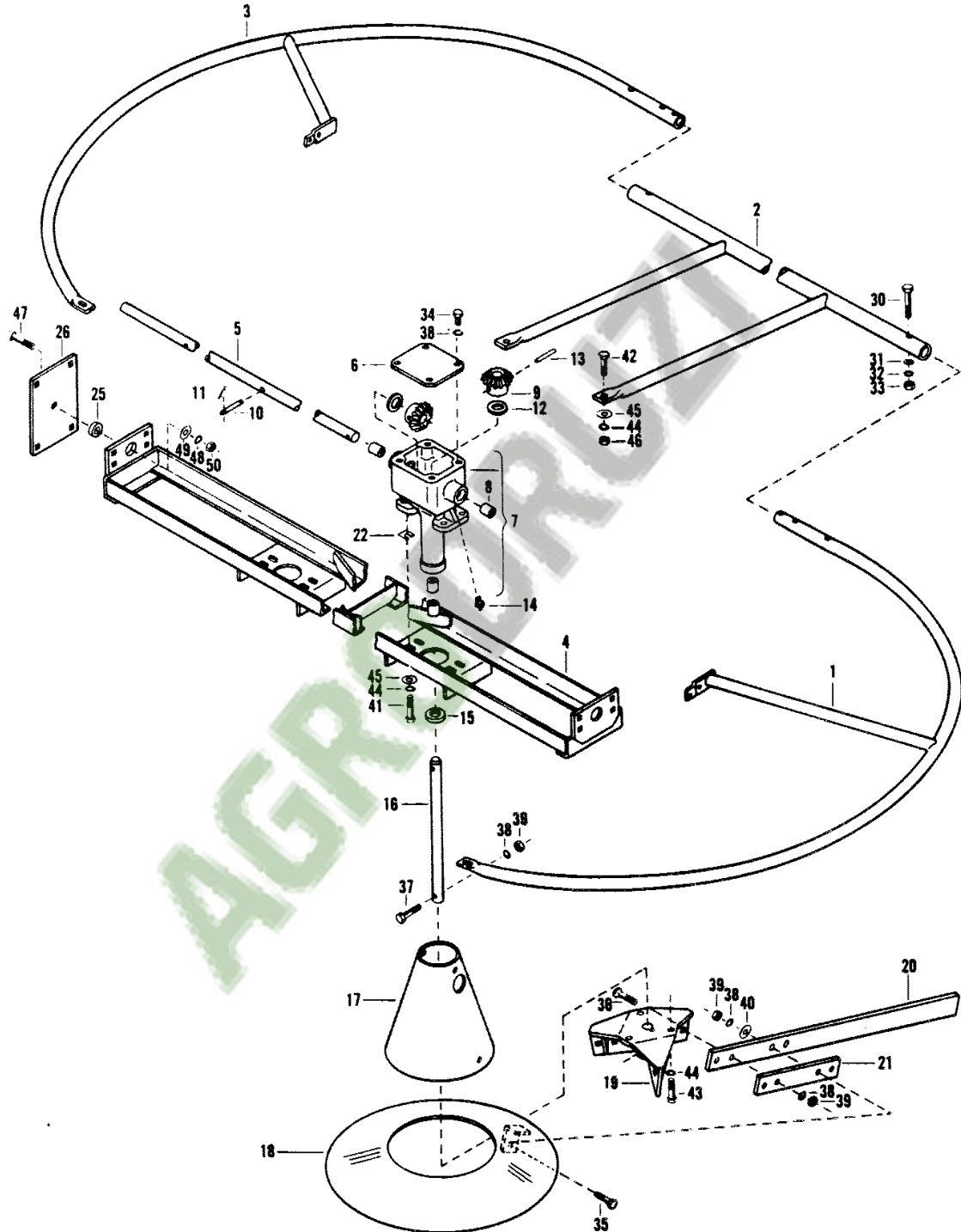
651 331 M95 (Issue 3) 117



194

STRAW SPREADER

1696 056 -1



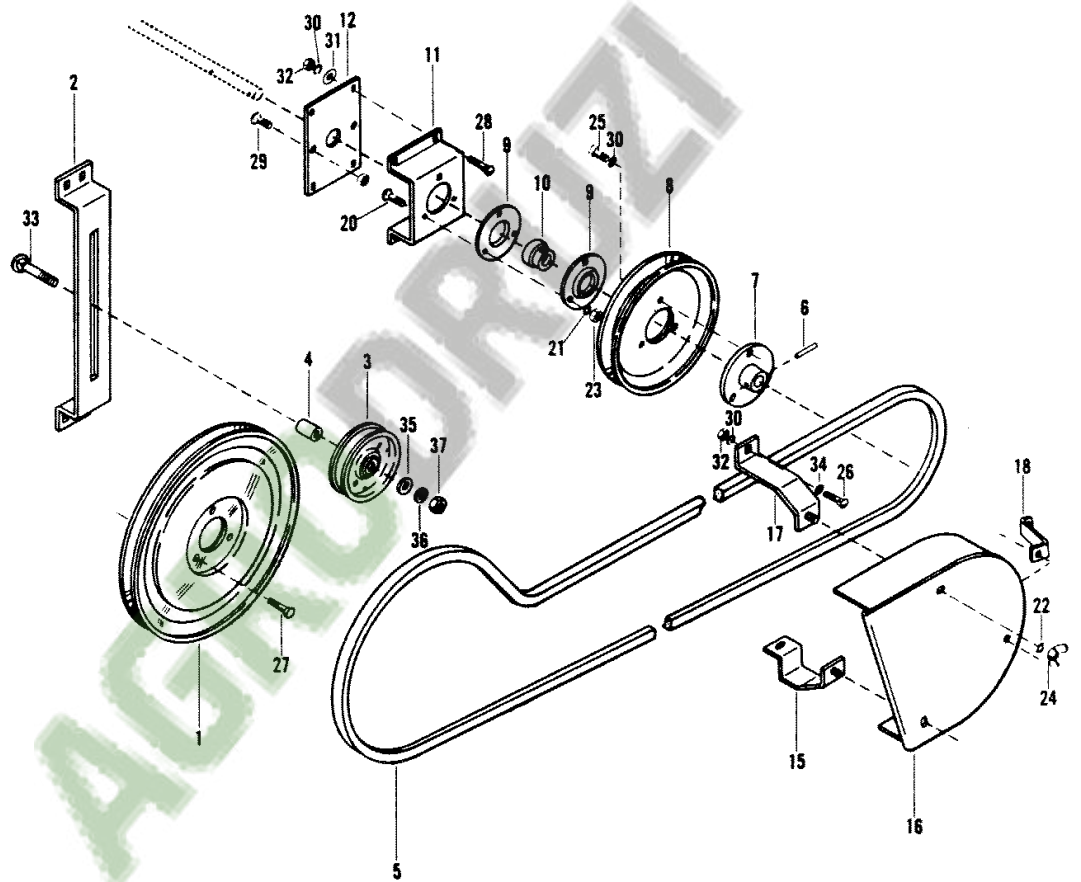
1st Print

651 331 M95 (Issue 1) 12/77

STRAW SPREADER DRIVE

197

1696 057



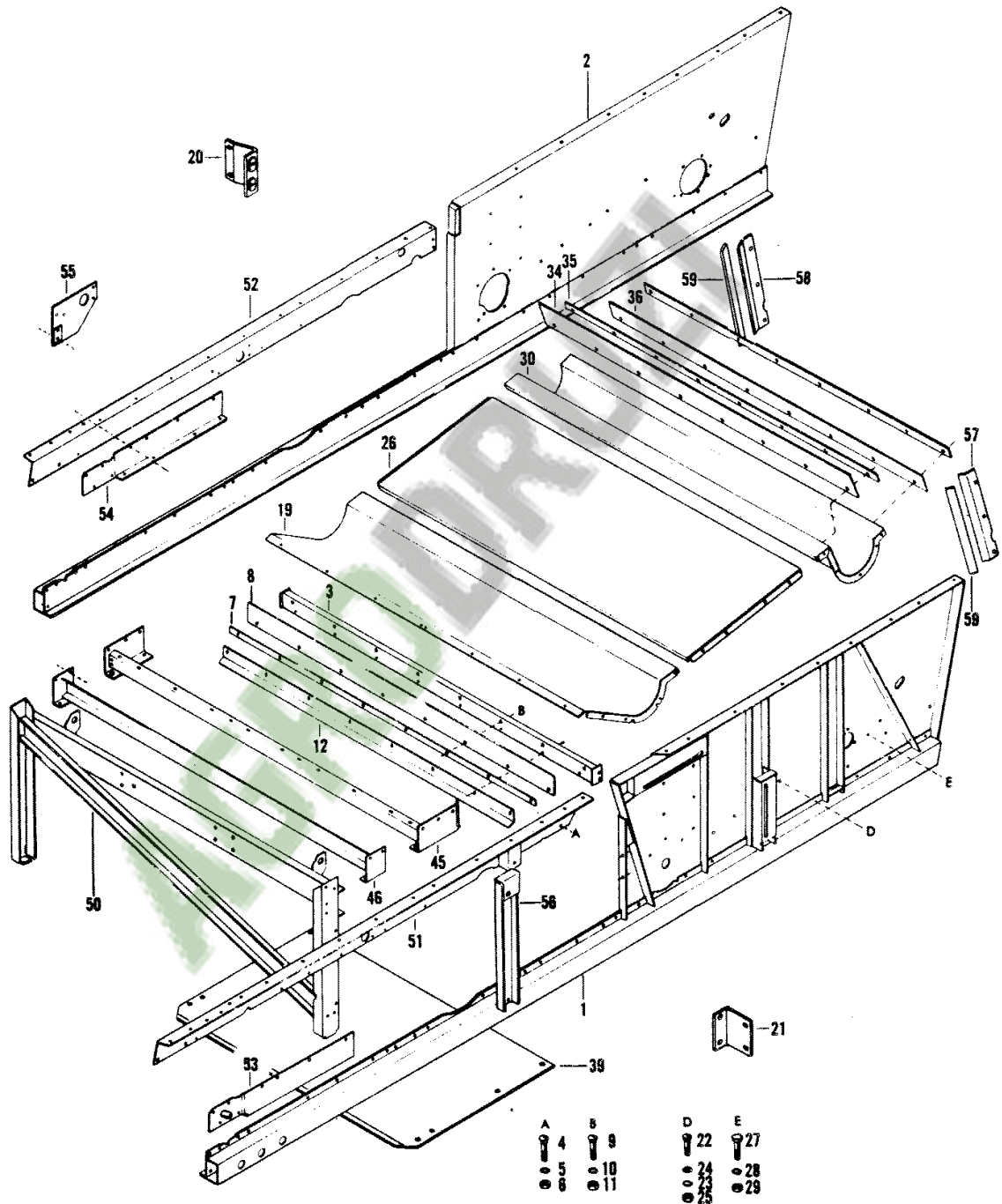
1st Print

651 331 M95 (Issue 1) 12/77

198

MAIN FRAME

1696 259

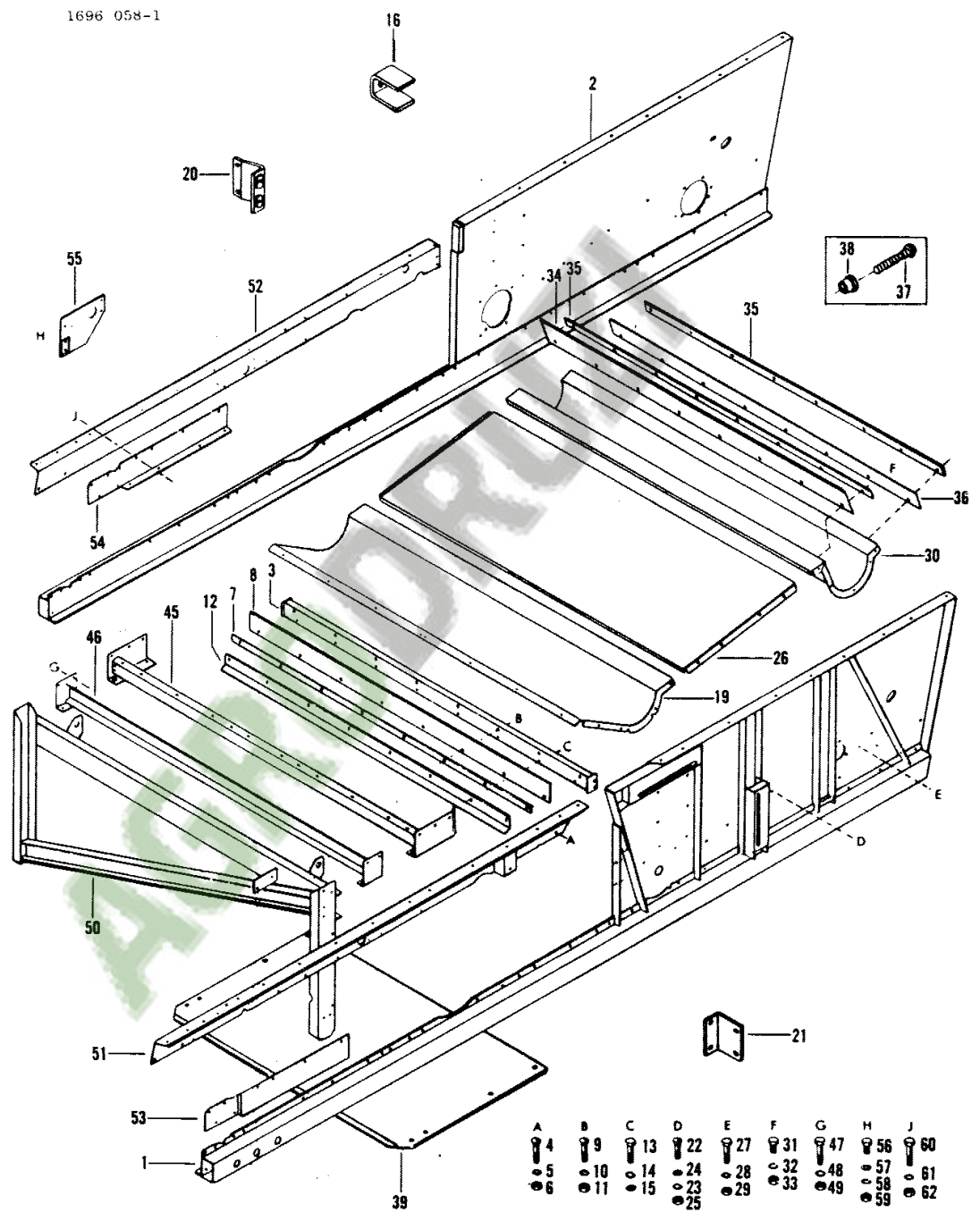


1st Print

651 331 M95 (Issue 1) 12/77

MAIN FRAME

201



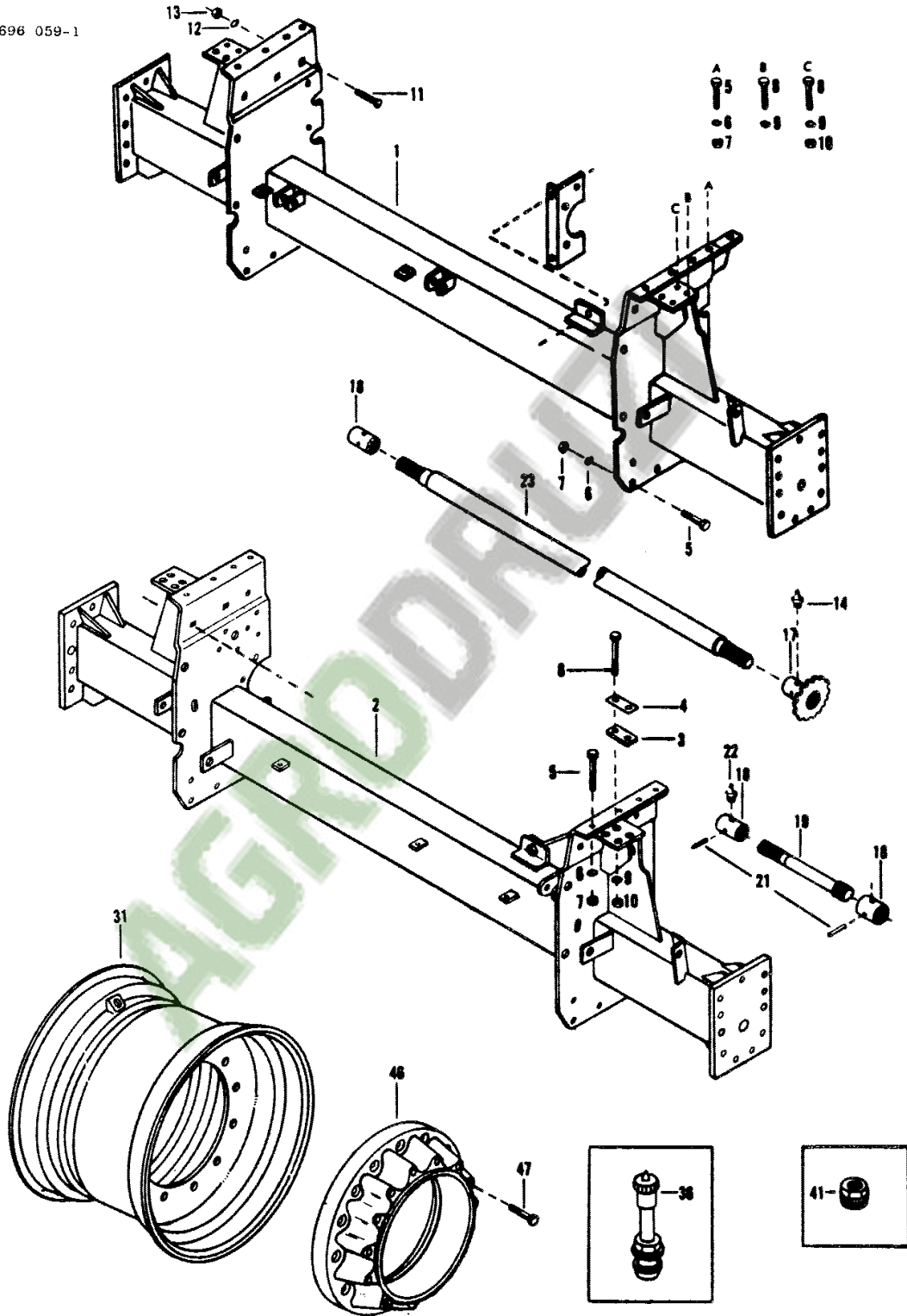
1st Print

651 331 M95 (Issue 1) 12/01

202

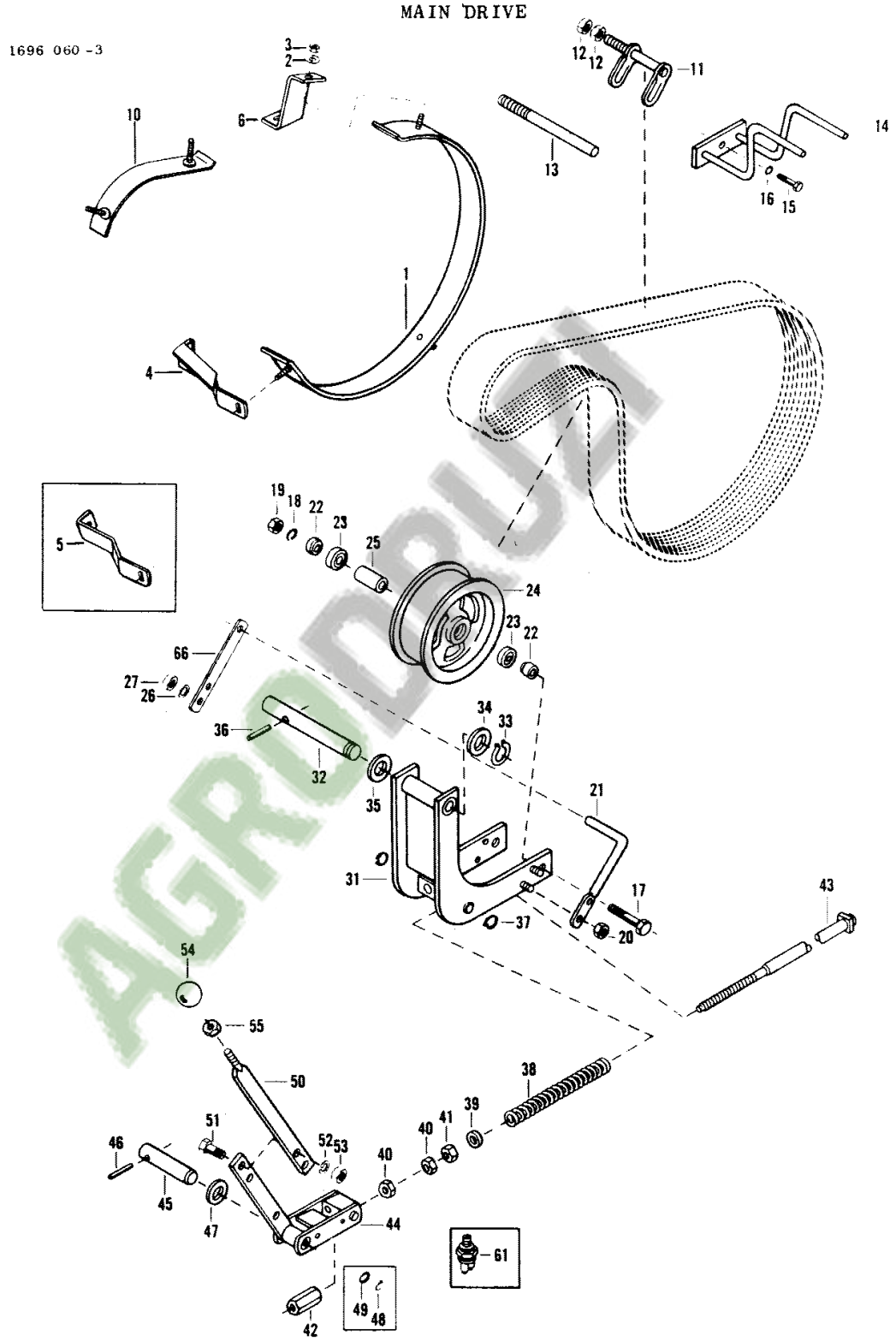
FRONT AXLE AND WHEELS

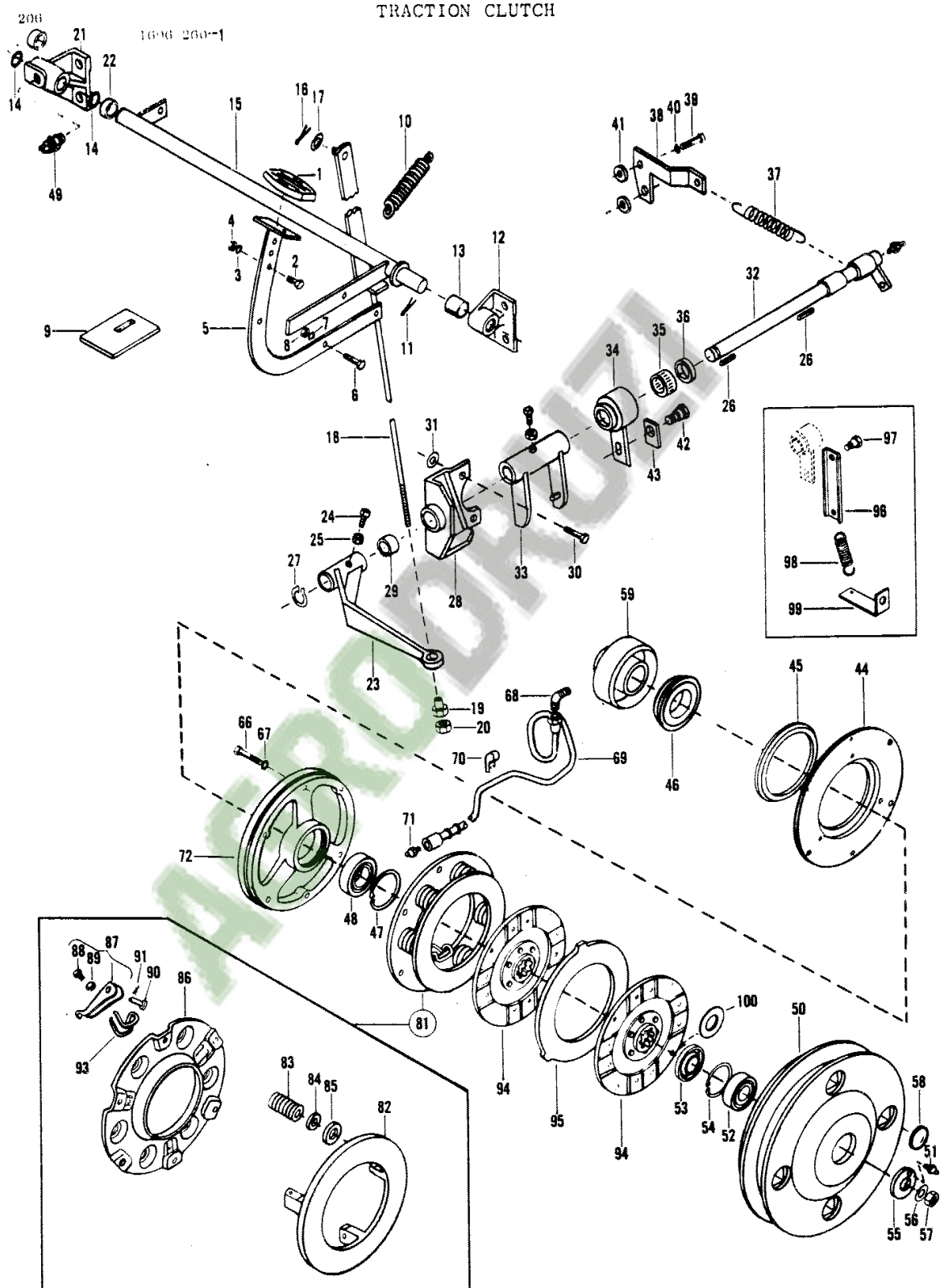
1696 059-1

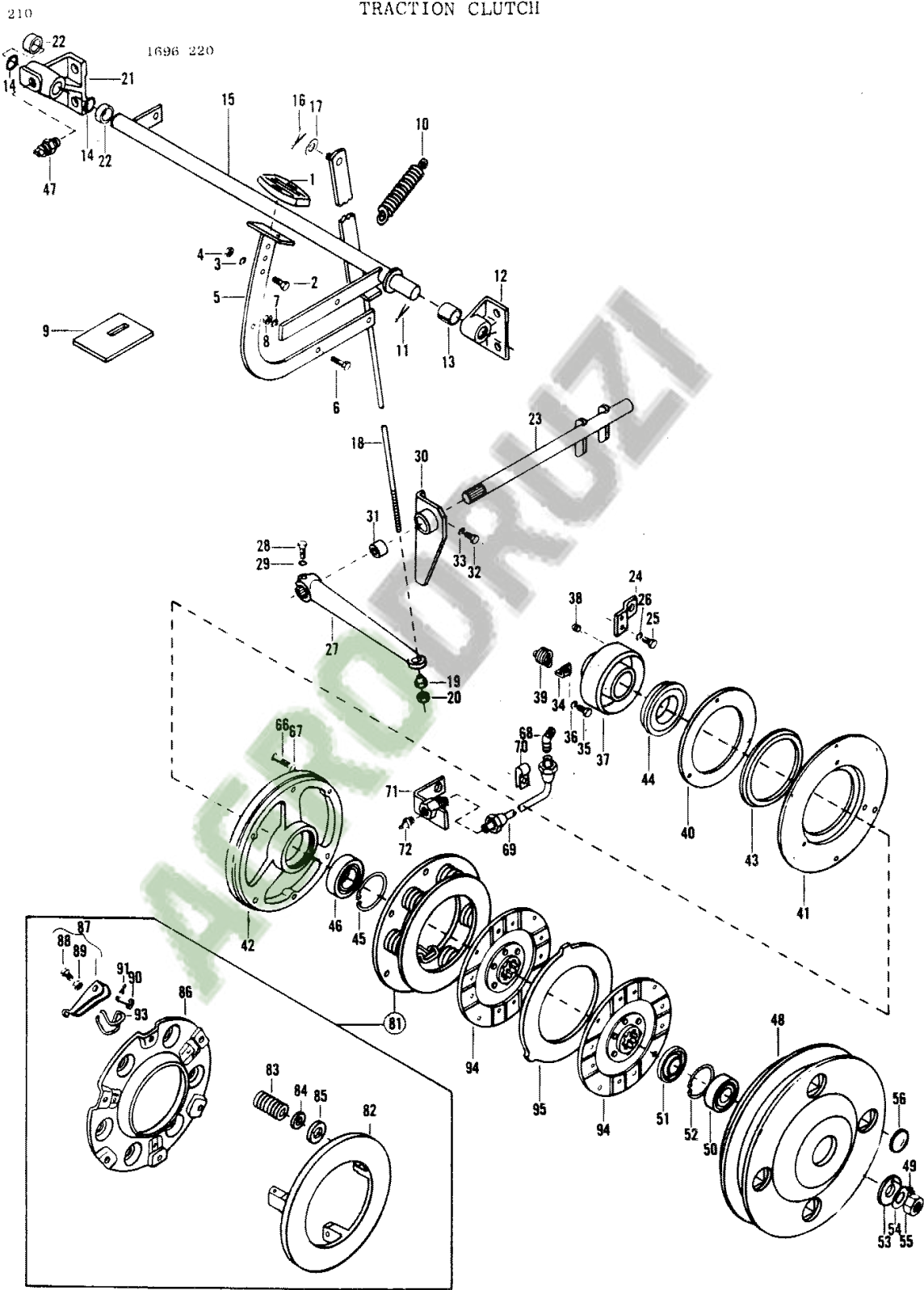


79-16

651 331 M95 (Issue 2) 2/79







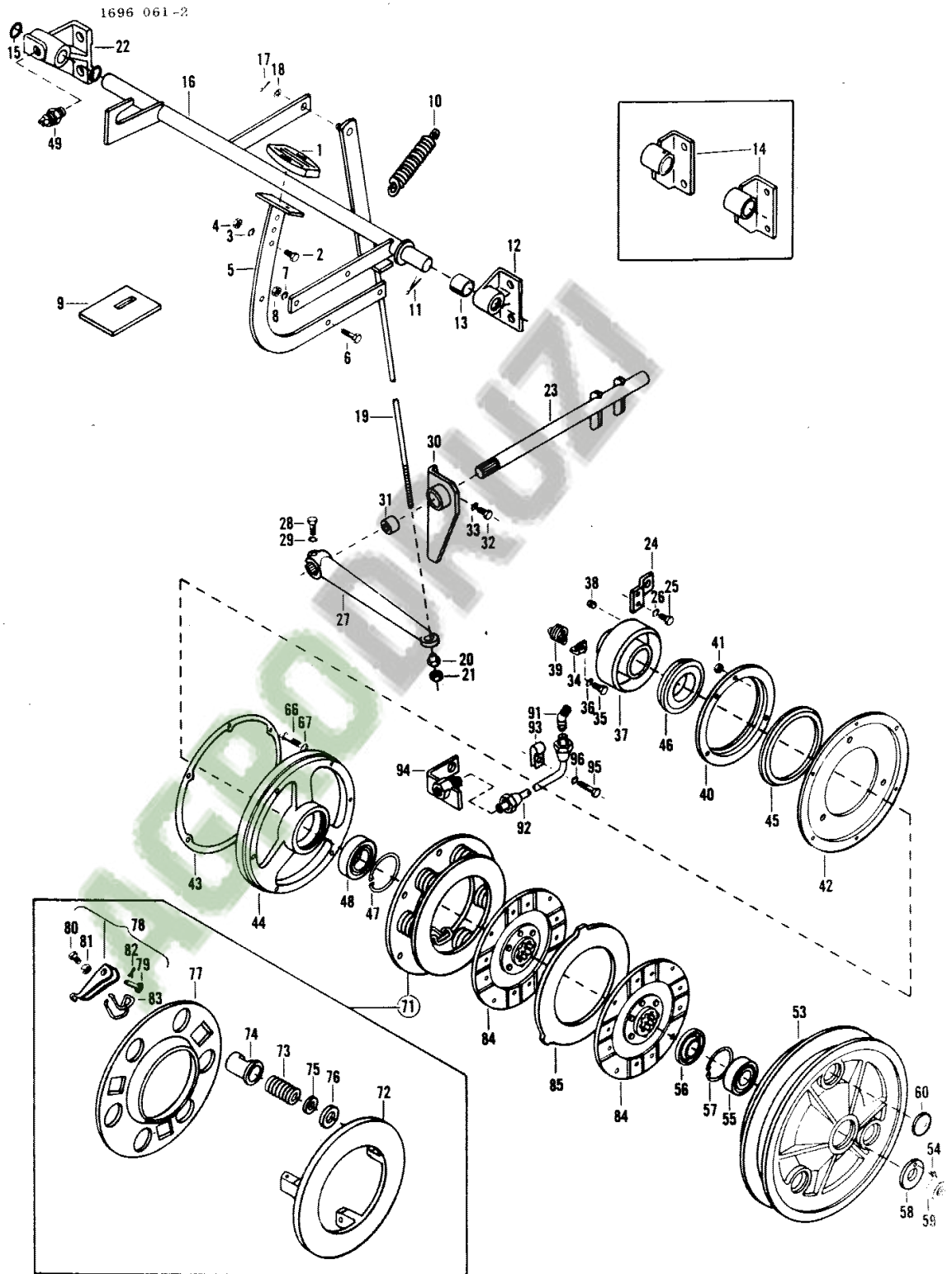
1st Print

651 331 M95 (Issue 1) 12/77



TRACTION CLUTCH

213



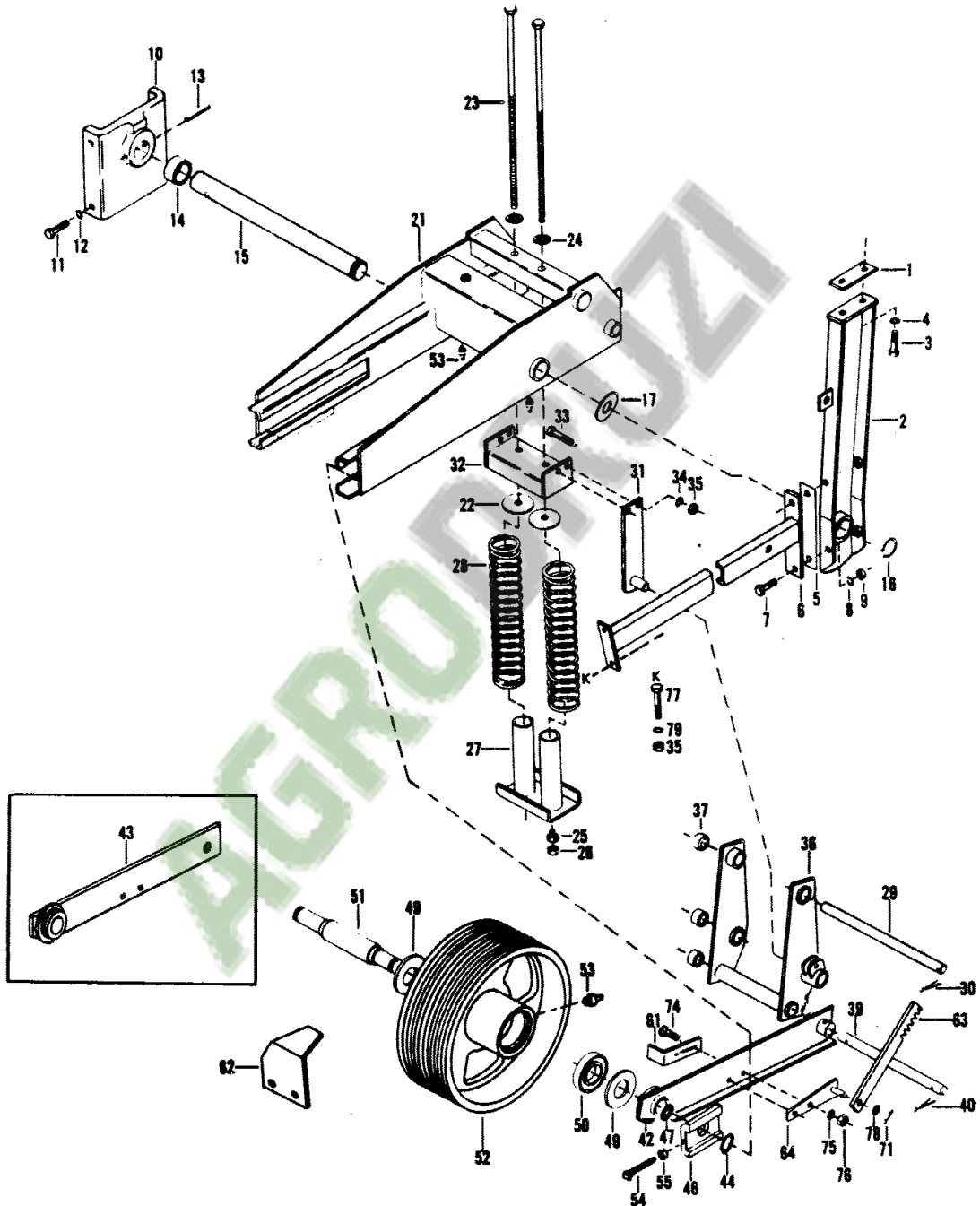
1st Print

651 331 M95 (Issue 1) 12/77

214

TRACTION DRIVE

1696 380



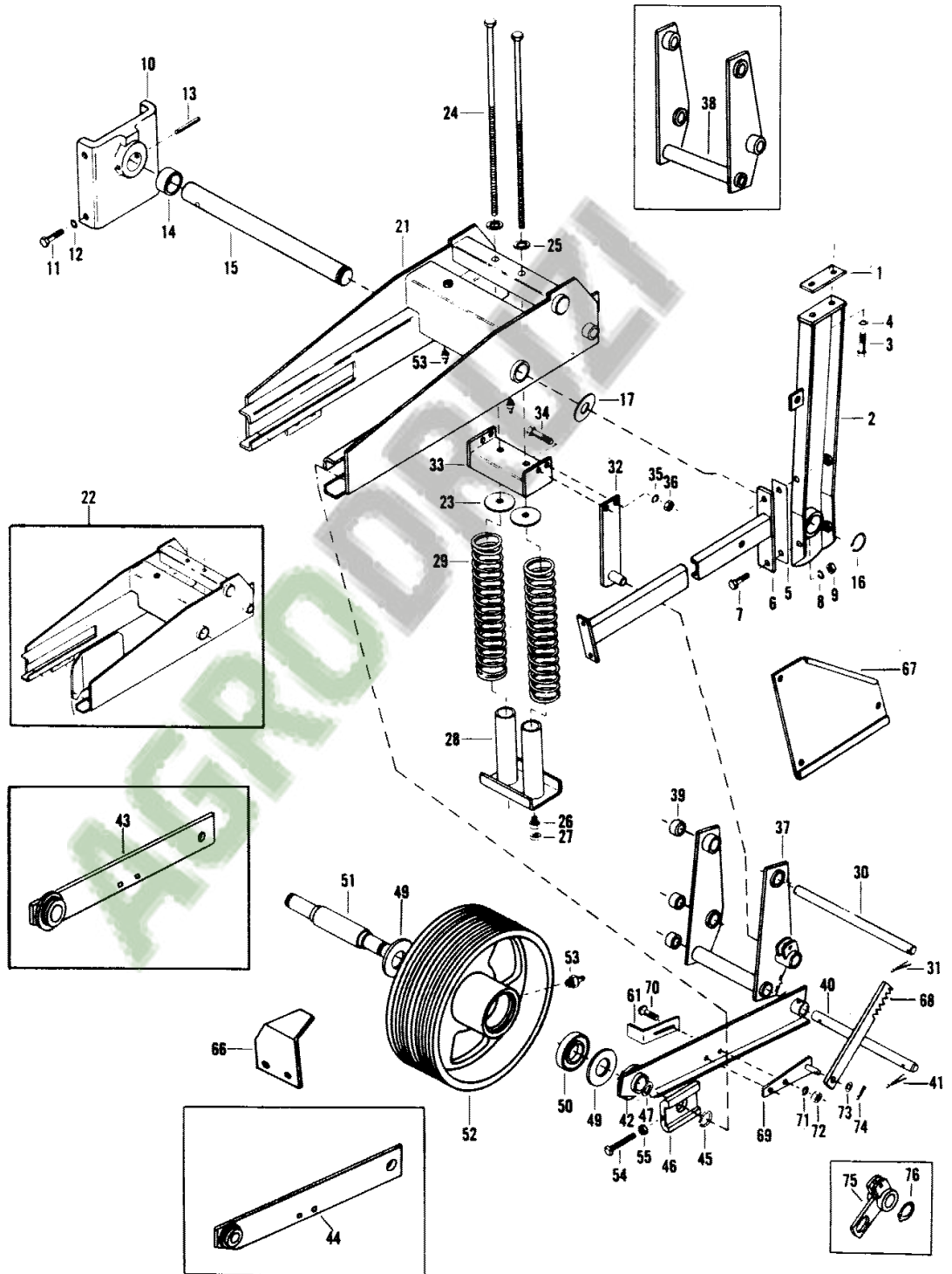
79-16

651 331 M95 (Issue 2) 2/79

TRACTION DRIVE

215B

1696 062 -3



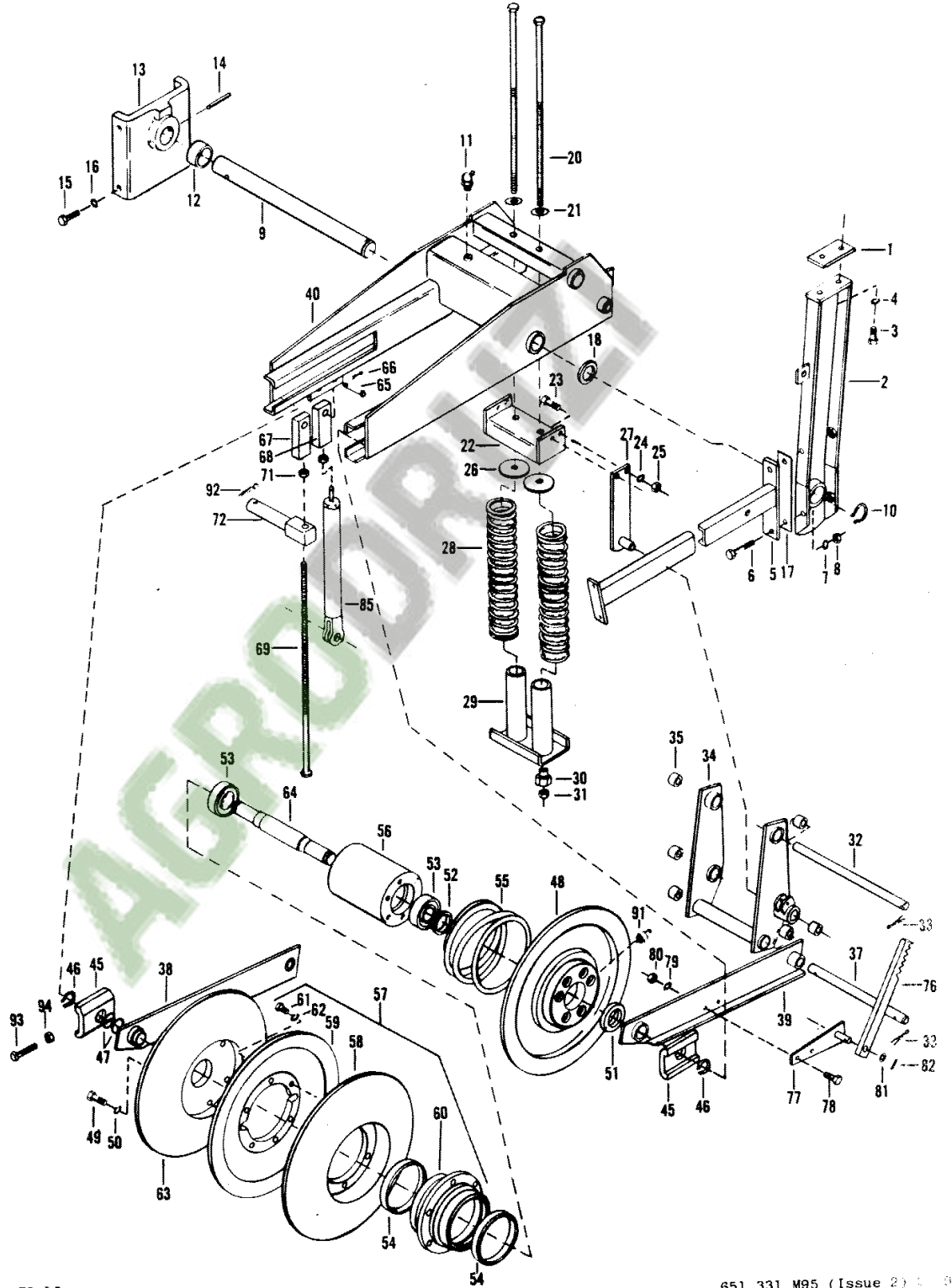
79-16

651 331 M95 (Issue 1) 2/79

VARIABLE SPEED TRACTION DRIVE

217

1696 381



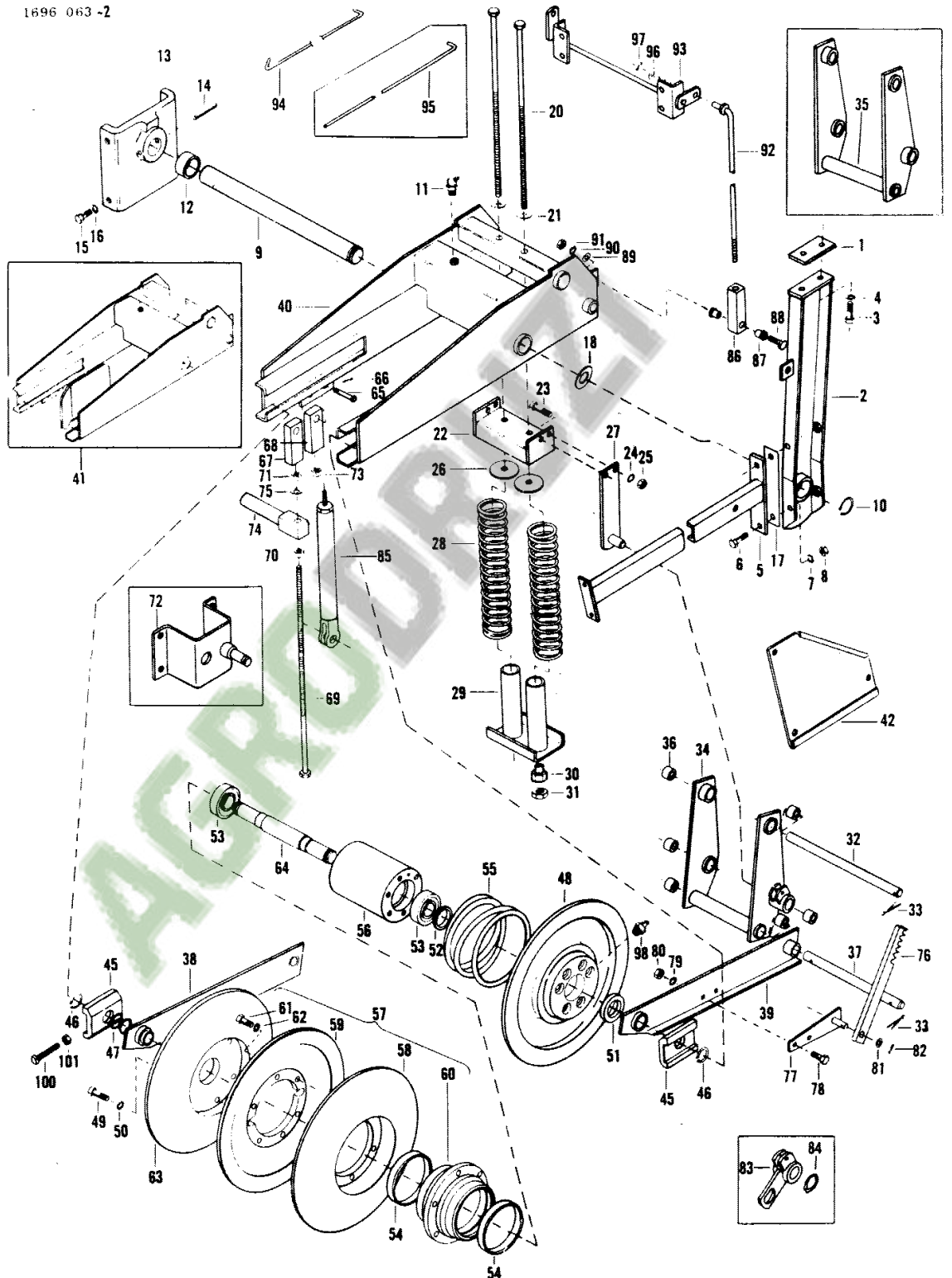
79-16

651 331 M95 (Issue 2)

VARIABLE SPEED TRACTION DRIVE

219B

1696 063 -2



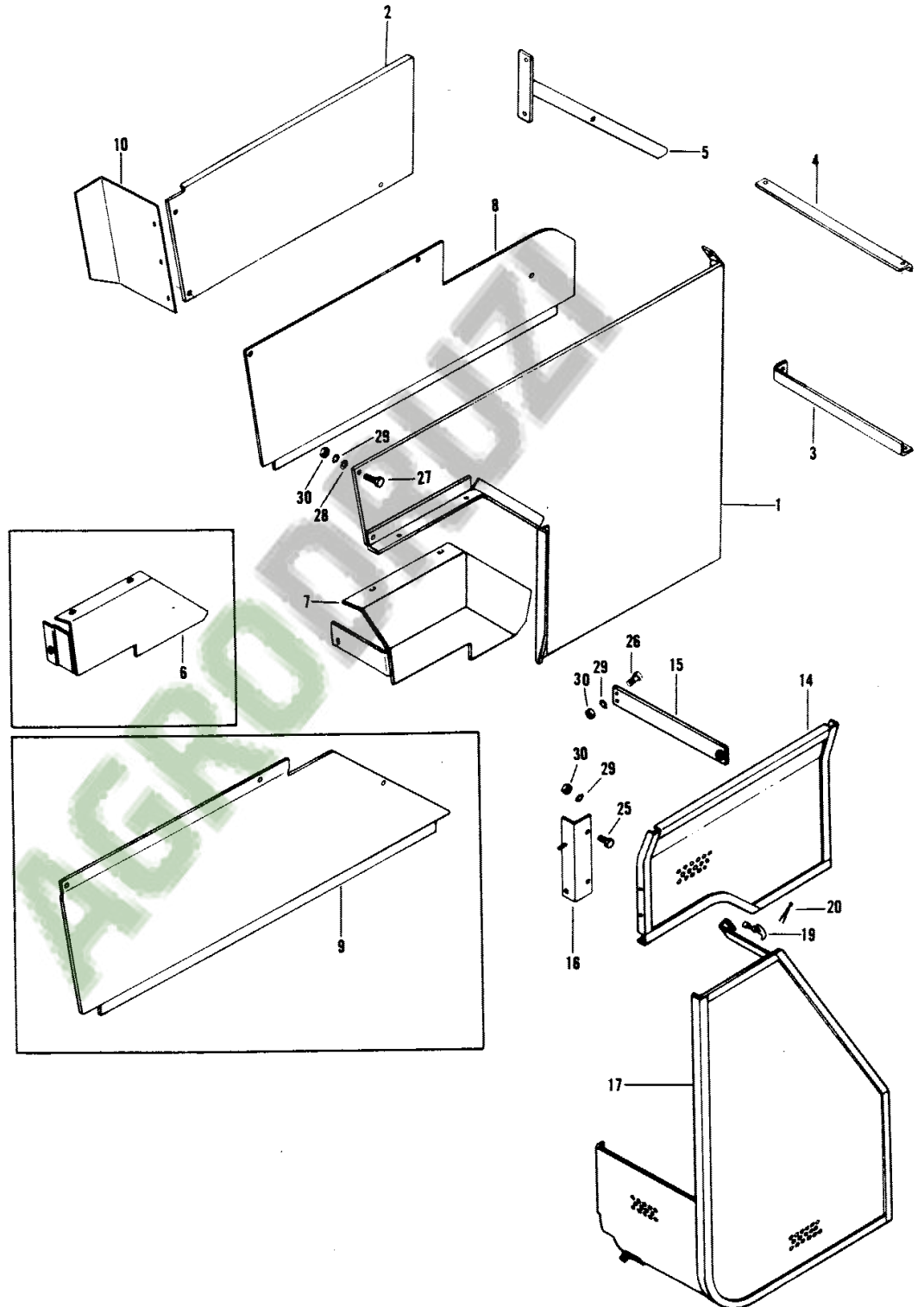
79-16

651 331 M95 (Issue 1) 2/79

LEFT FRONT SHIELDS

221

1696 261

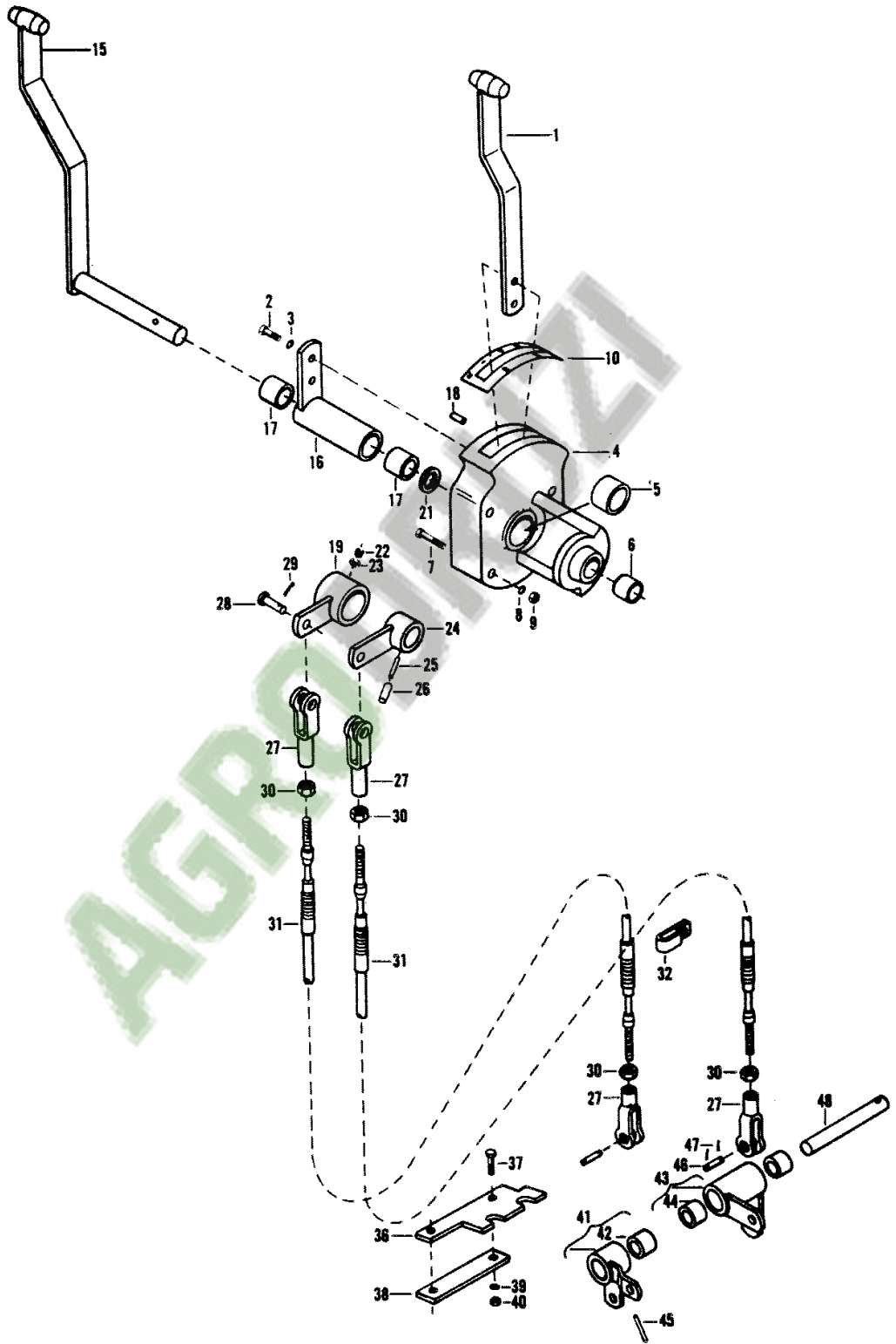


79-16

651 331 M95 (Issue 2) 2/79

222  
1696 262

GEAR SHIFT



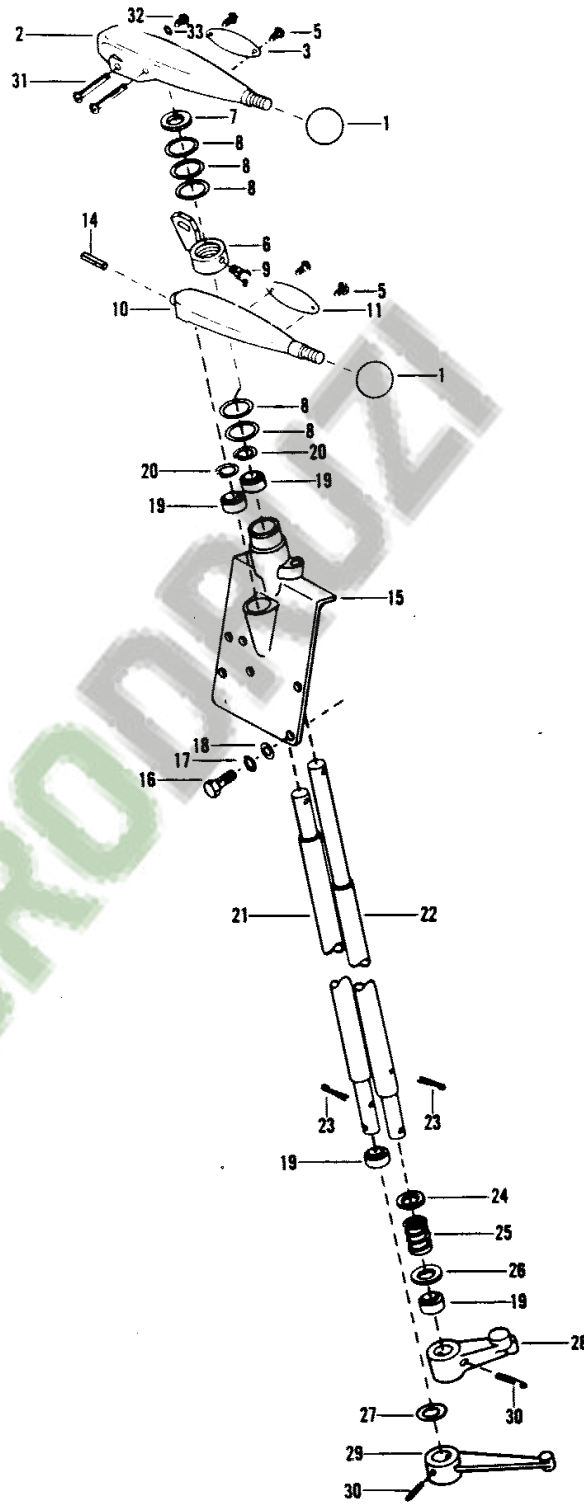
1st Print

651 331 M95 (Issue 1) 12/77

GEAR SHIFT

225

1696 221



1st Print

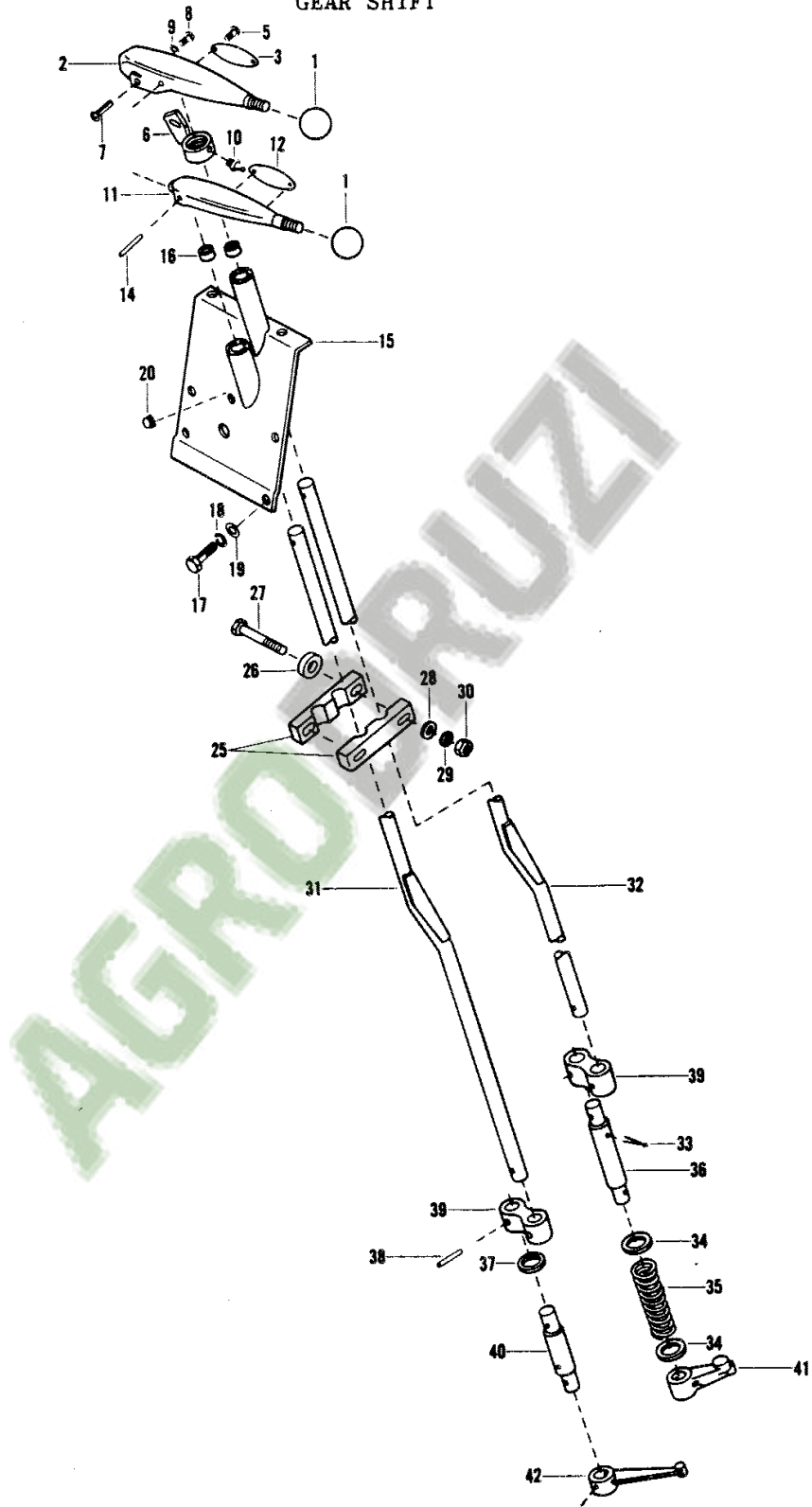
651 331 M95 (Issue 1) 12/



226

1696 064

GEAR SHIFT



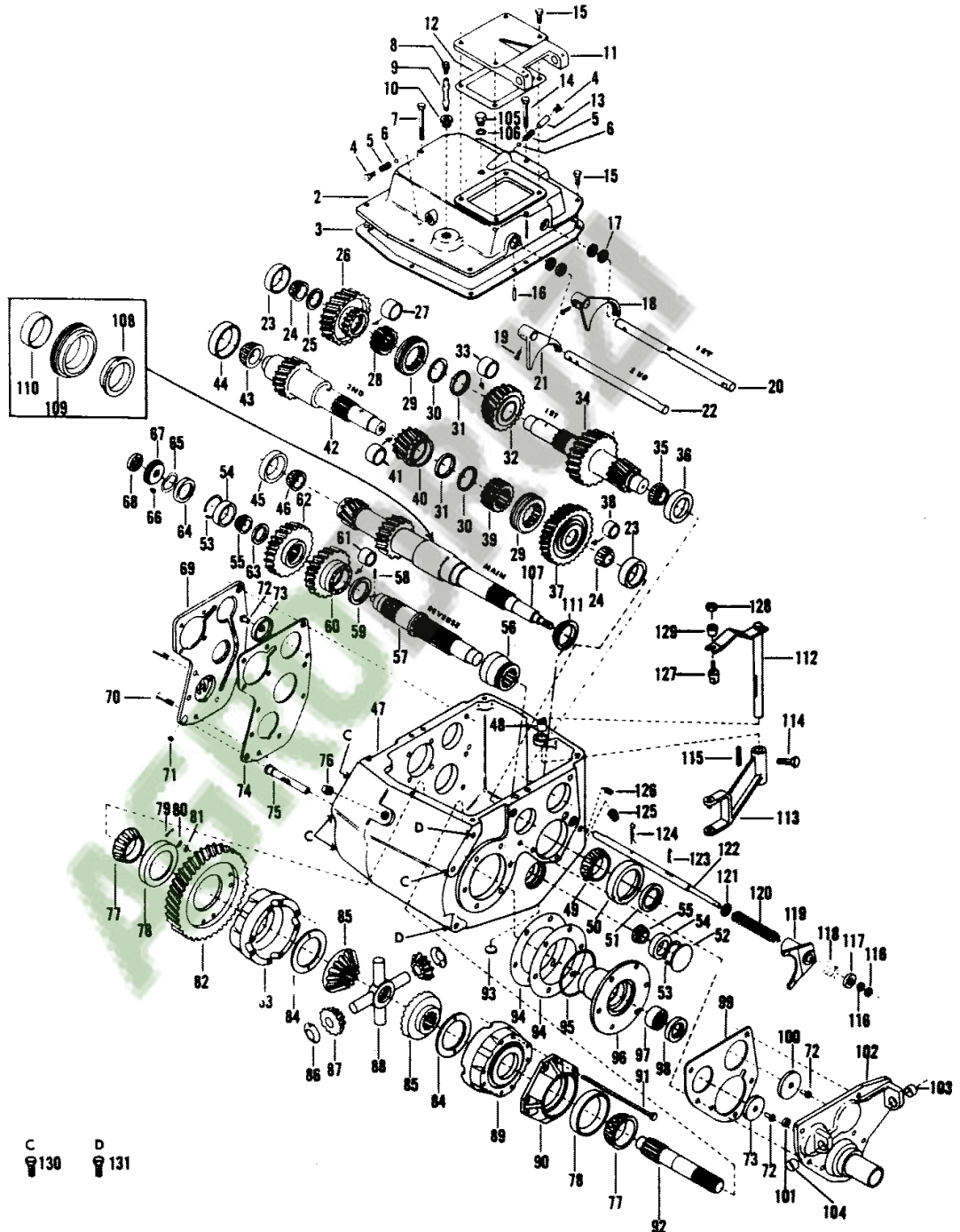
1st Print

651 331 M95 (Issue 1) 12/77

CONSTANT MESH TRANSMISSION

229

1696 263-1

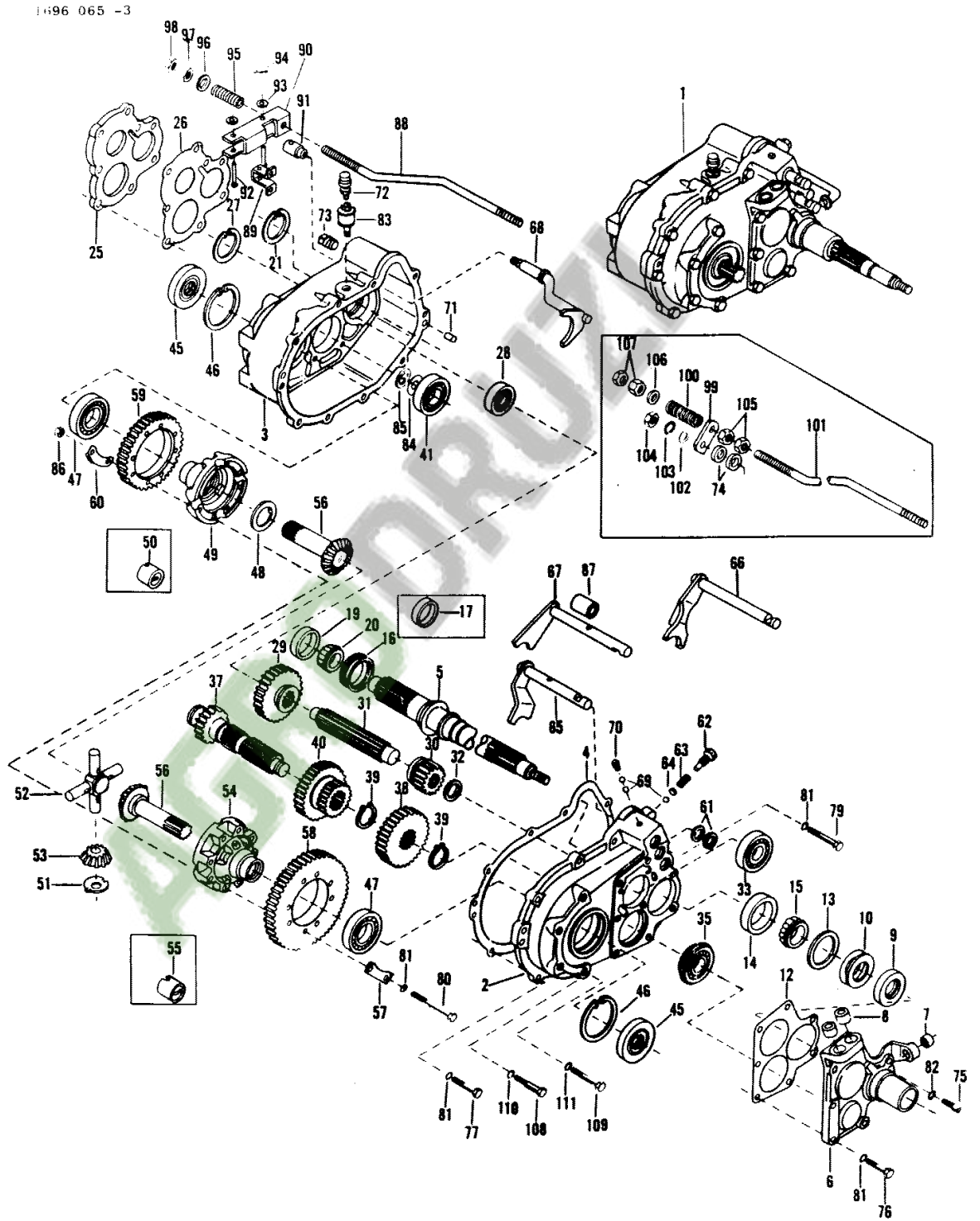


79-16

651 331 M95 (Issue 2) 2/78

TRANSMISSION

233



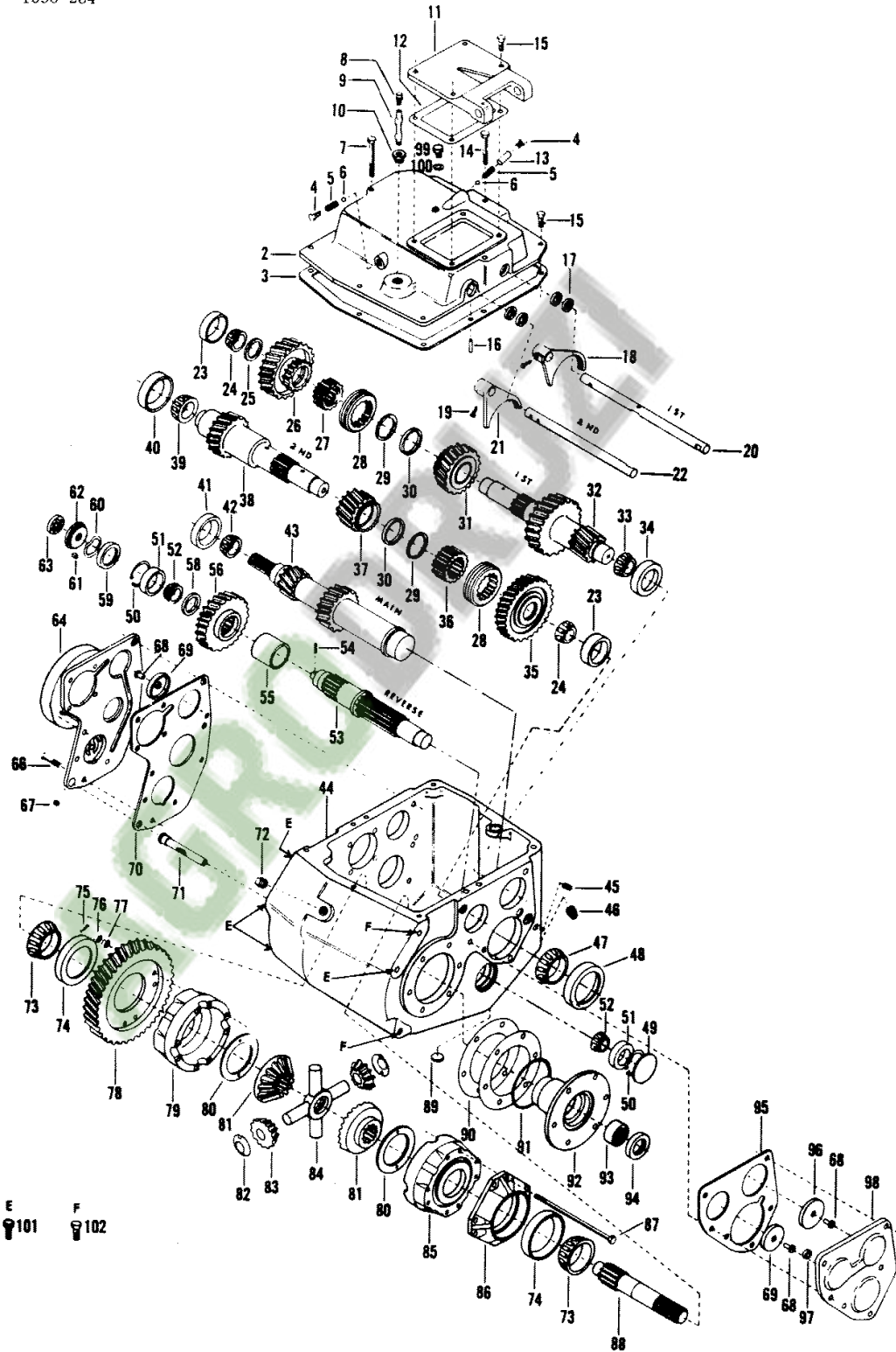
80-1

651 331 M95 (Issue 3) 11/79

1696 264

CONSTANT MESH TRANSMISSION

237

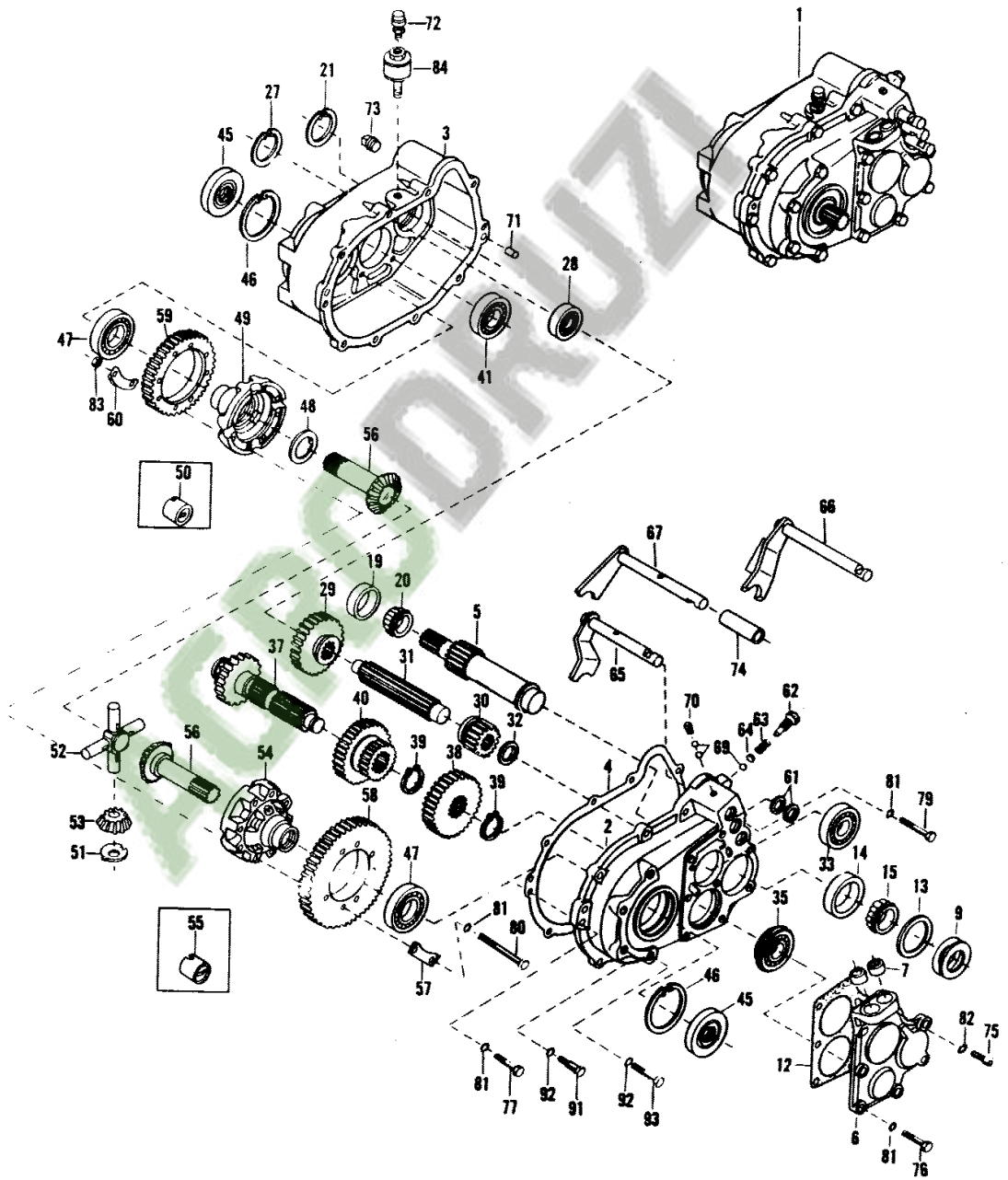


1st Print

651 331 M95 (Issue 1) 12/77

TRANSMISSION

241



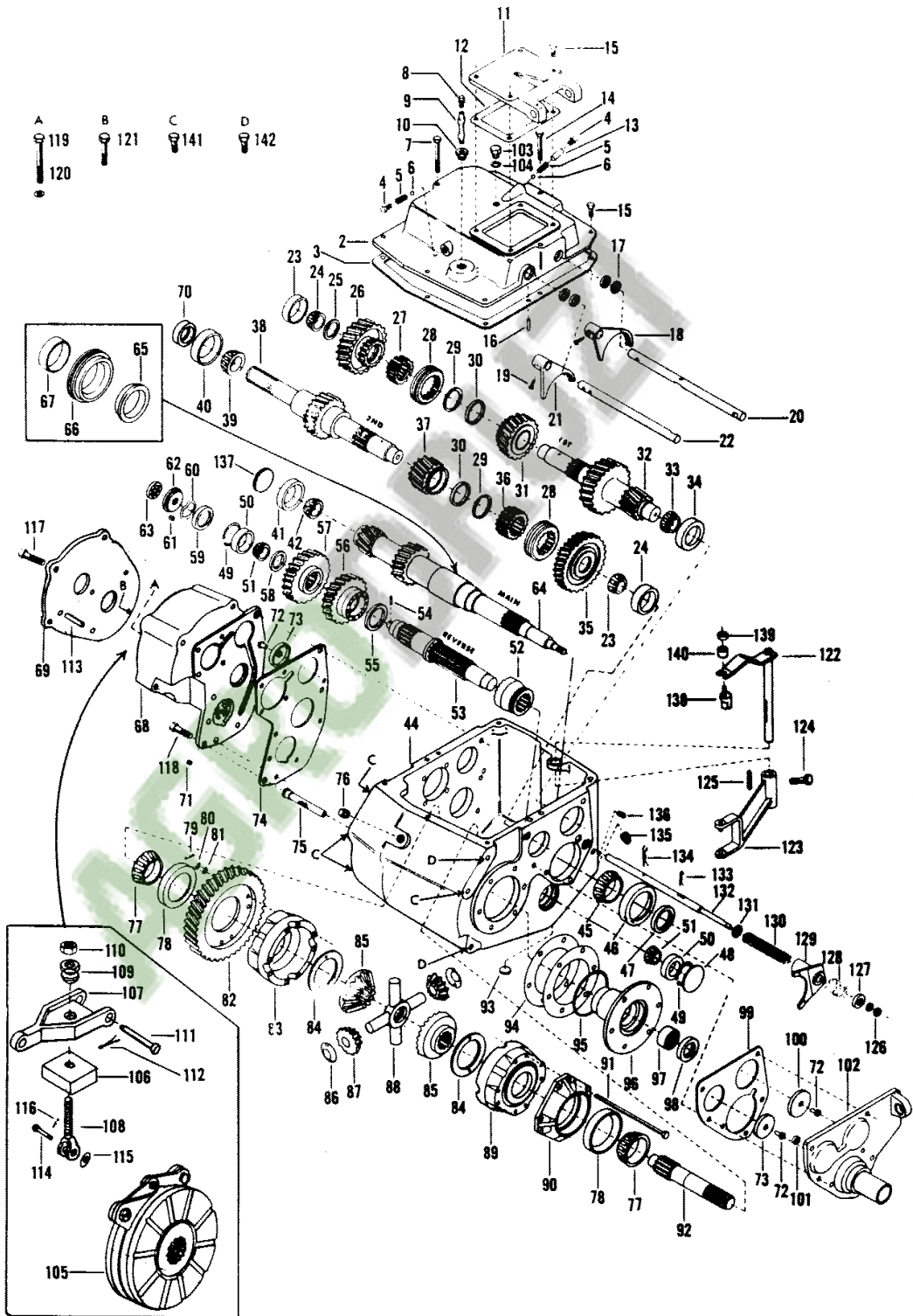
1st Print

651 331 M95 (Issue 1) 12/77

CONSTANT MESH TRANSMISSION

245

1696019595



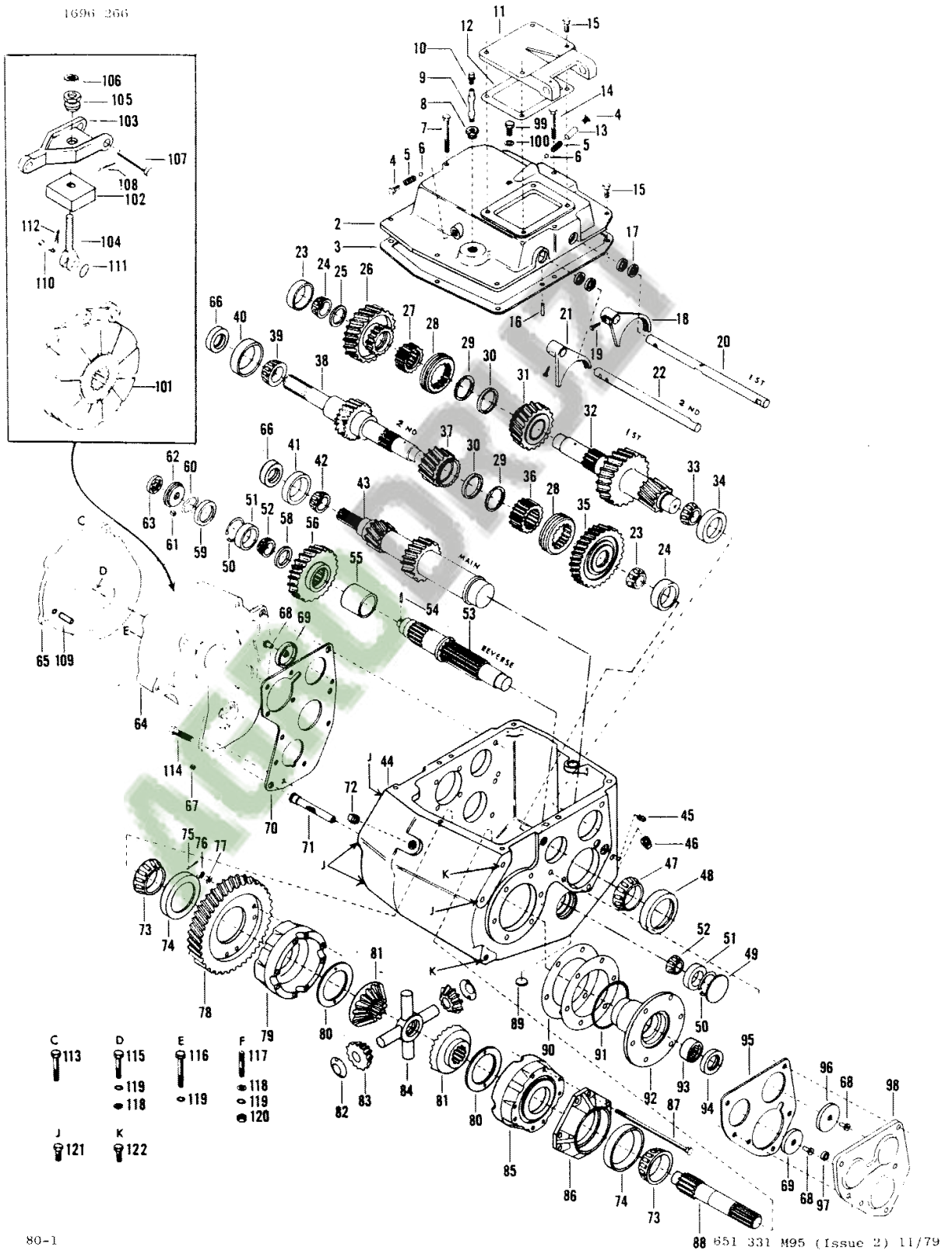
79-16

651 331 M95 (Issue 2) 2/79

CONSTANT MESH TRANSMISSION

249

1696 266



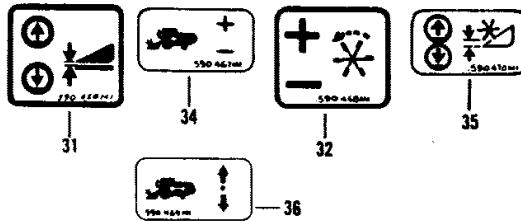
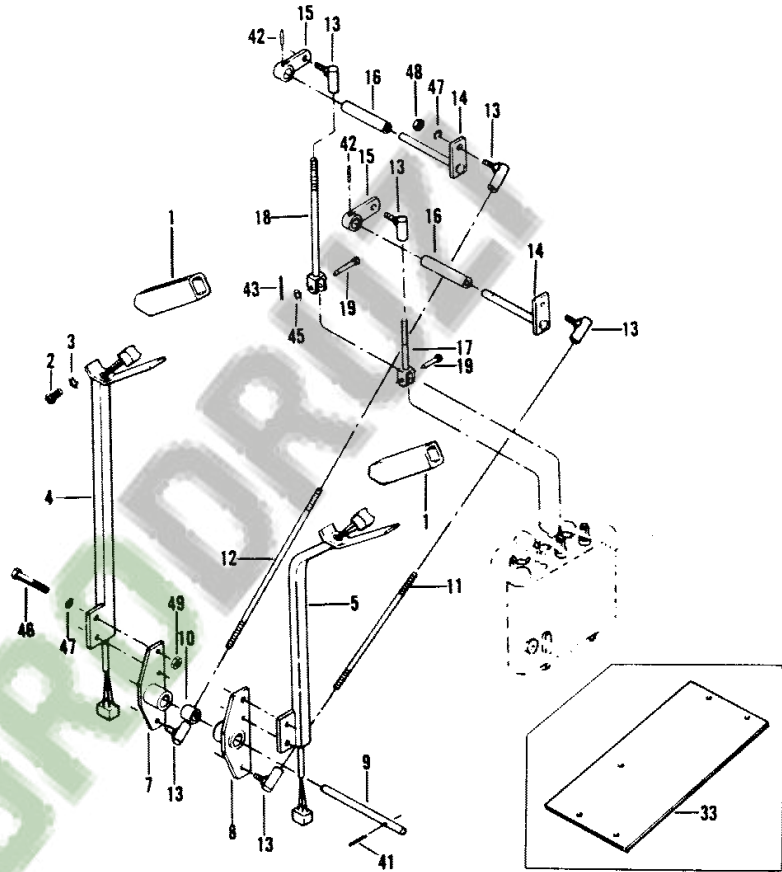
80-1

88 651 331 M95 (Issue 2) 11/79

HYDRAULIC CONTROLS

251B

1696 382-1



79-45

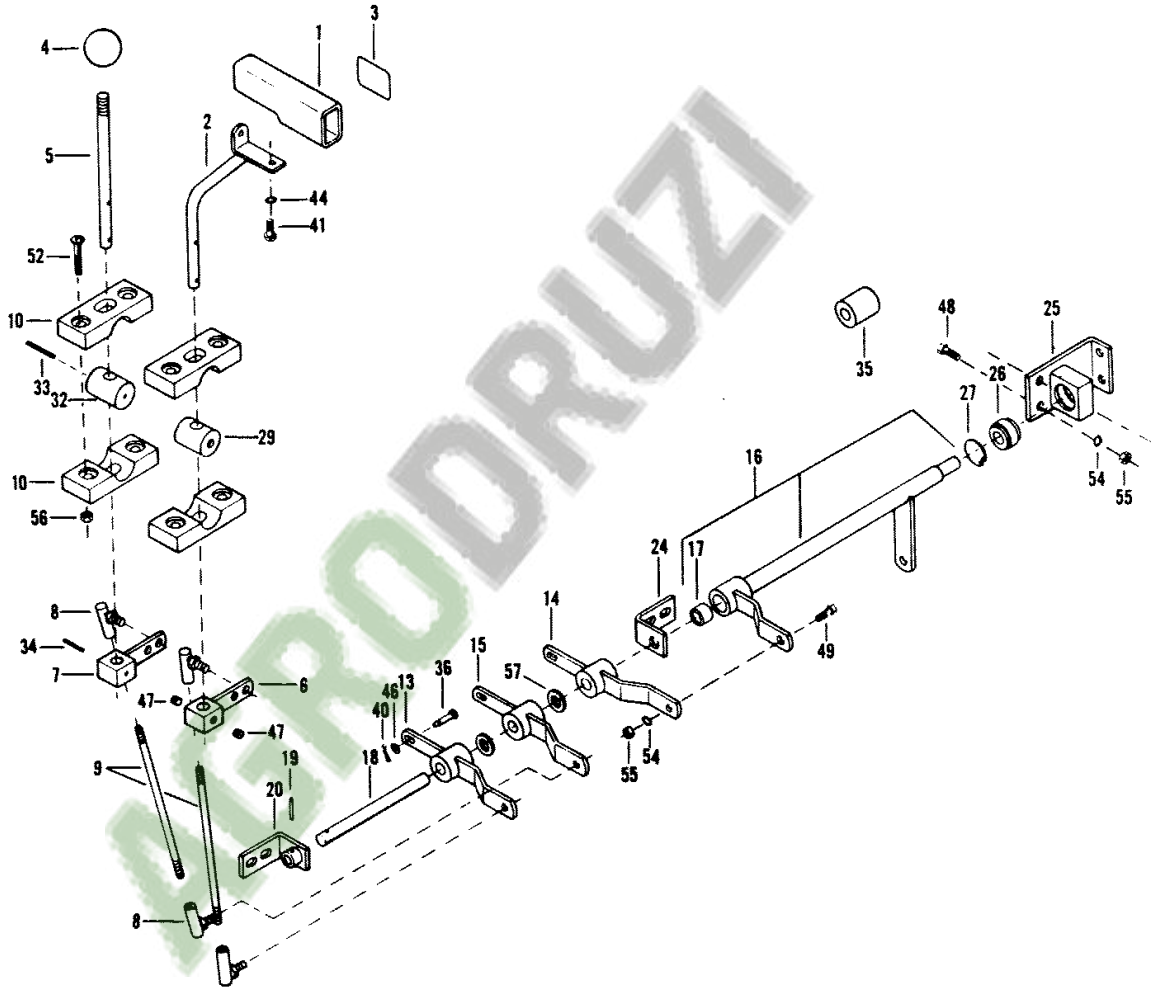
661 331 M95 (Issue 2) 5/79



HYDRAULIC CONTROLS

253

1696 304-1



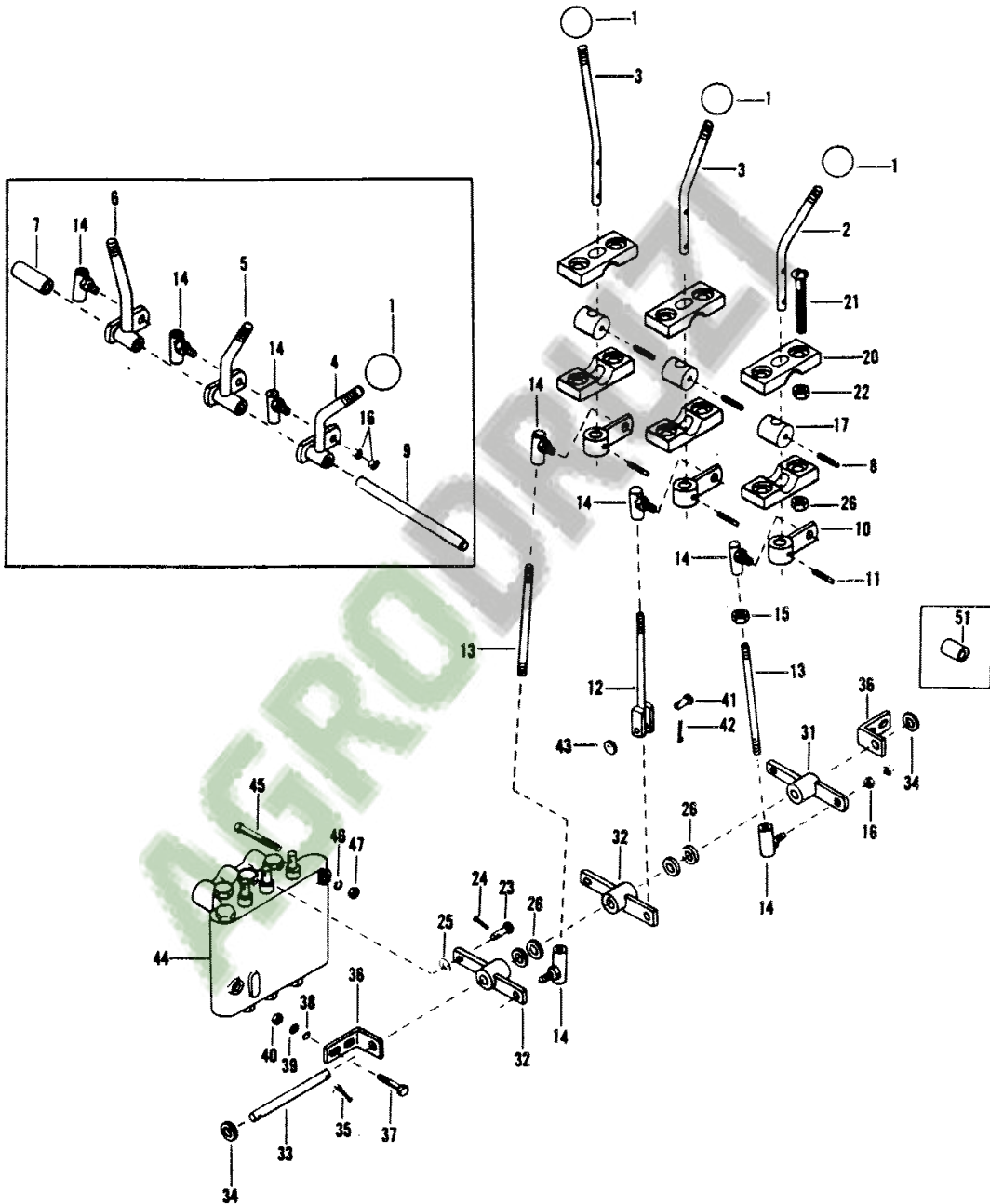
78-65

651 331 M95 (Issue 2) 8/78

254

HYDRAULIC CONTROLS

1696 087-1



1st Print

651 331 M95 (Issue 1) 12/77

**MASSEY FERGUSON****MF 750 COMBINE, -> 1696019595 - 651331****651331****HYDRAULIC CONTROLS - 4 SPEED AND HYDROSTATIC****254**

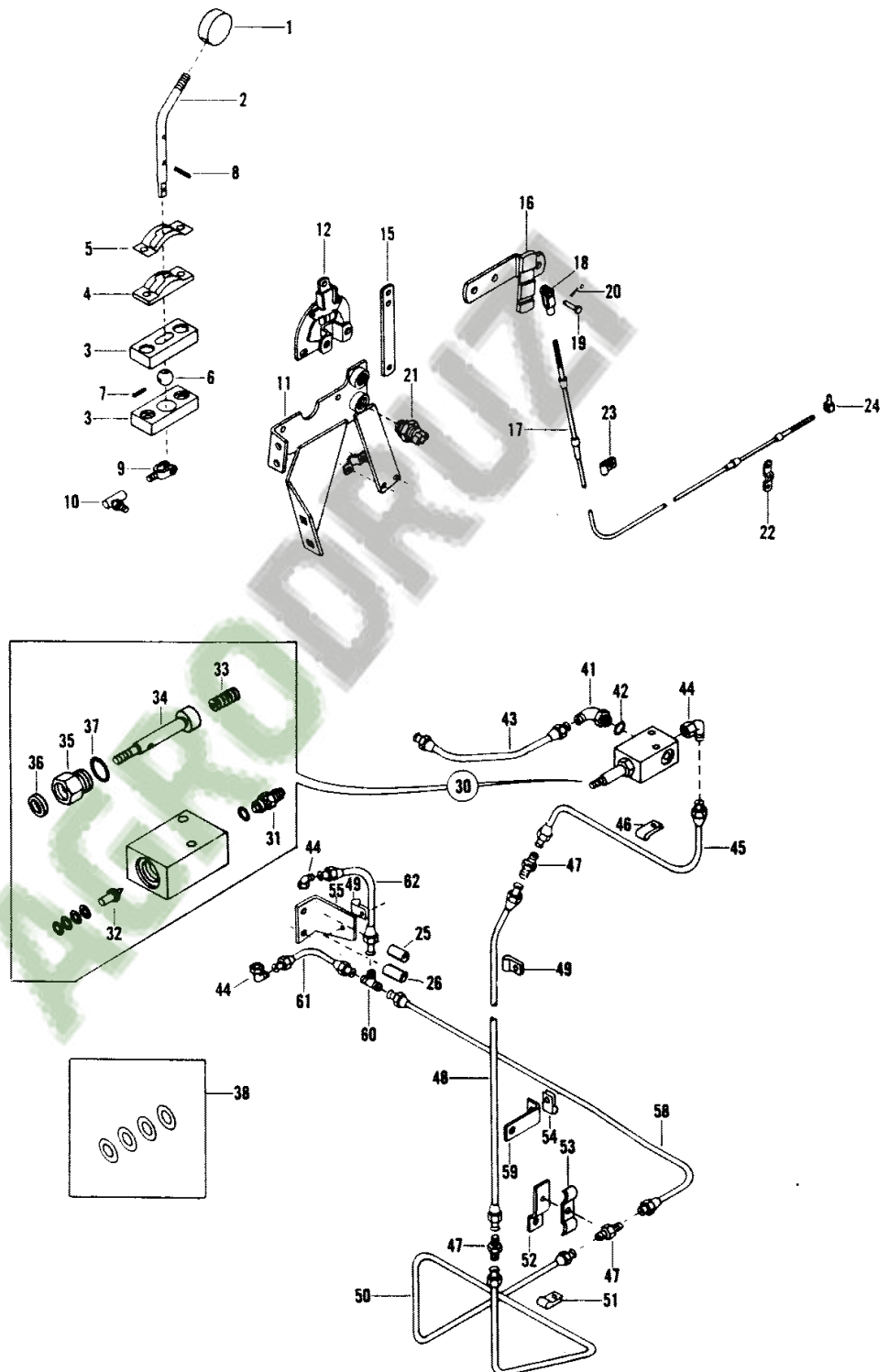
Item	Part Number	Qty	Description	Comments
45	354613X1	2	Bolt Unc	(C, D)
46	353446X1	2	Lock Washer	(C, D)
47	355565X1	2	Nut Unc	(C, D)
51	367411X1	1	Spacer	(D)
				(A)
				From Serial or Engine Number 1696009674
				(B)
				Up to Serial or Engine Number 1696009674
				(C)
				STD.
				(D)
				HYD.

AGRO DRUZI

HYDROSTATIC TRANSMISSION CONTROLS

1696 267

257



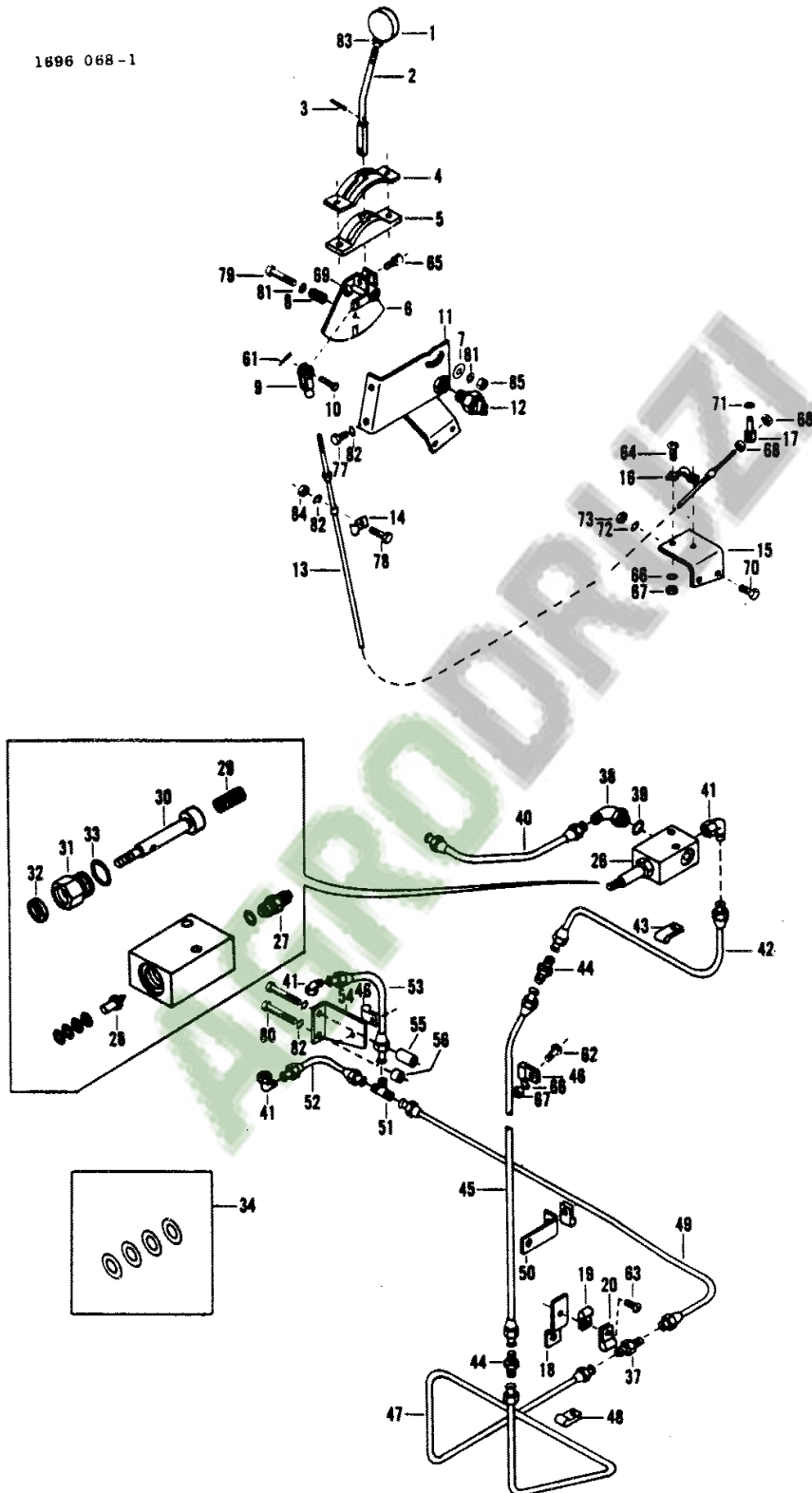
1st Print

651 331 M95 (Issue 1) 12/77

258

HYDROSTATIC PRESSURE RELEASE CONTROLS

1696 068-1



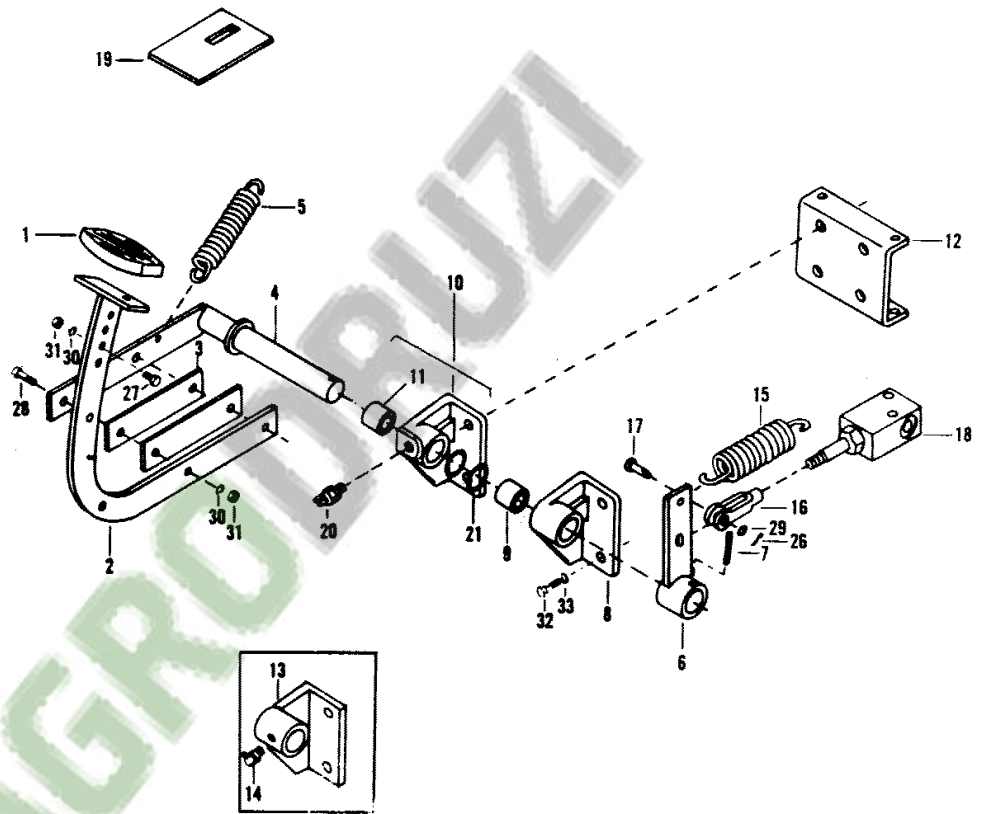
1st Print

651 331 M95 (Issue 1) 12/77

HYDROSTATIC PRESSURE RELEASE CONTROLS

261

1696 069-2



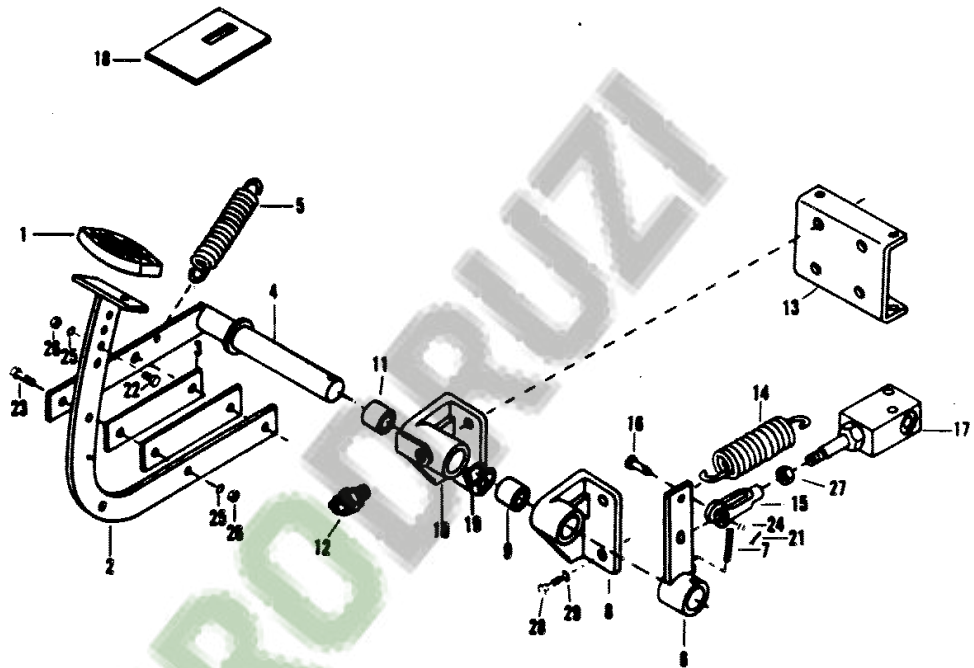
79-16

651 331 M95 (Issue 3) 2/79

262

HYDROSTATIC PRESSURE RELEASE CONTROLS

1696 305



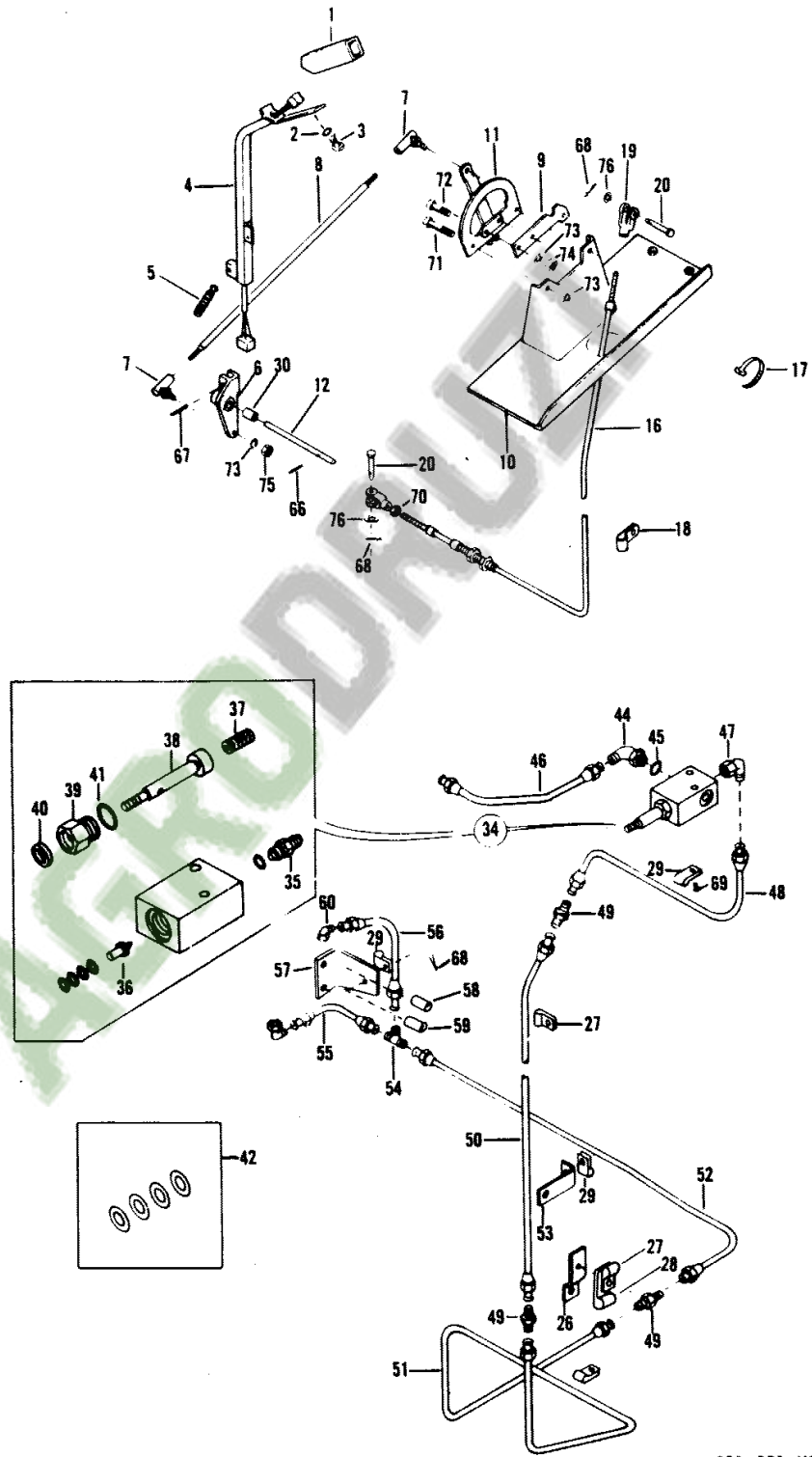
79-16

651 331 M95 (Issue 2) 2/79

HYDROSTATIC TRANSMISSION CONTROLS

263P

1696 383



79-16

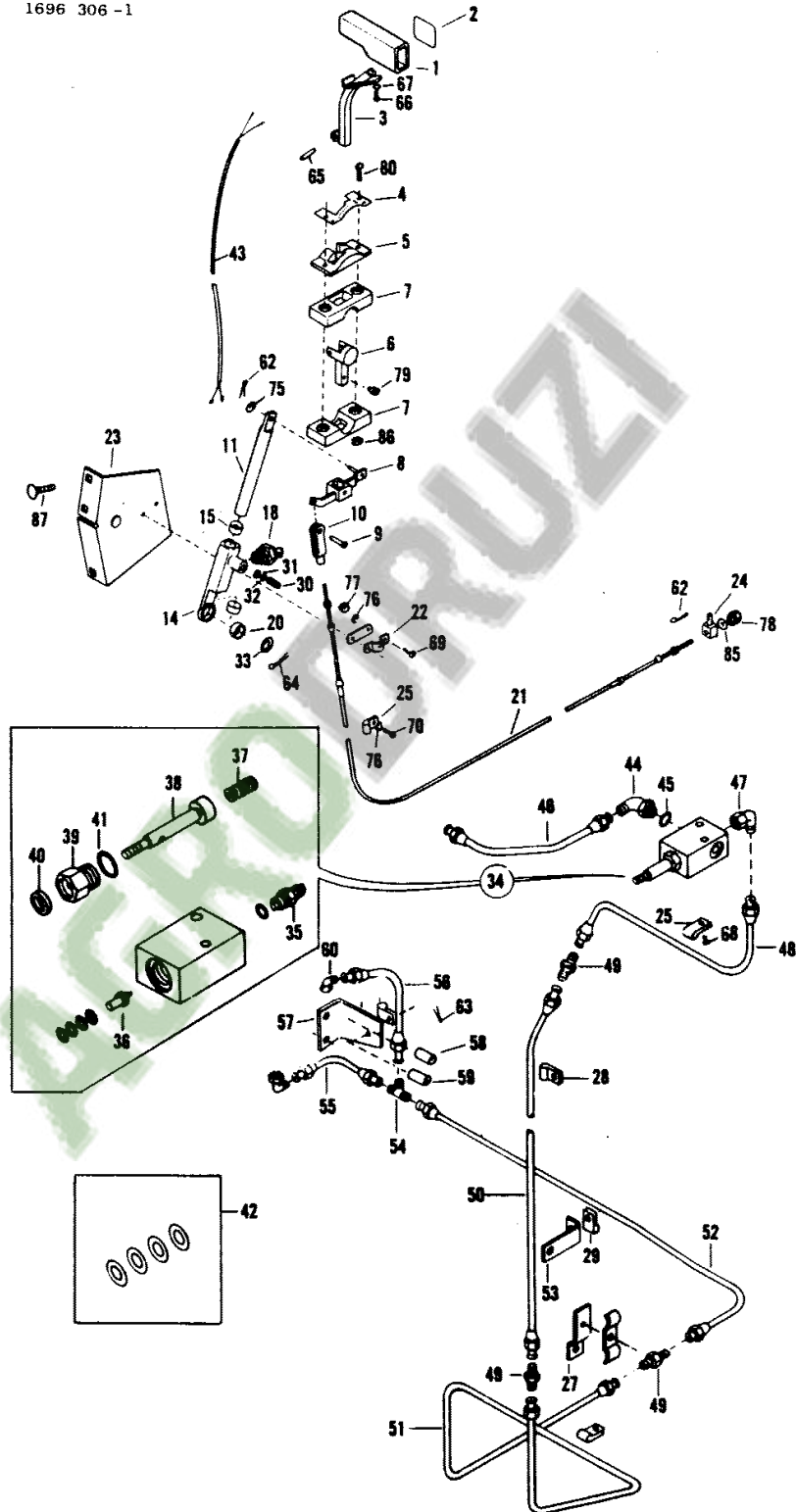
651 331 M95 (Issue 1) 2/78



HYDROSTATIC TRANSMISSION CONTROLS

265

1696 306 -1

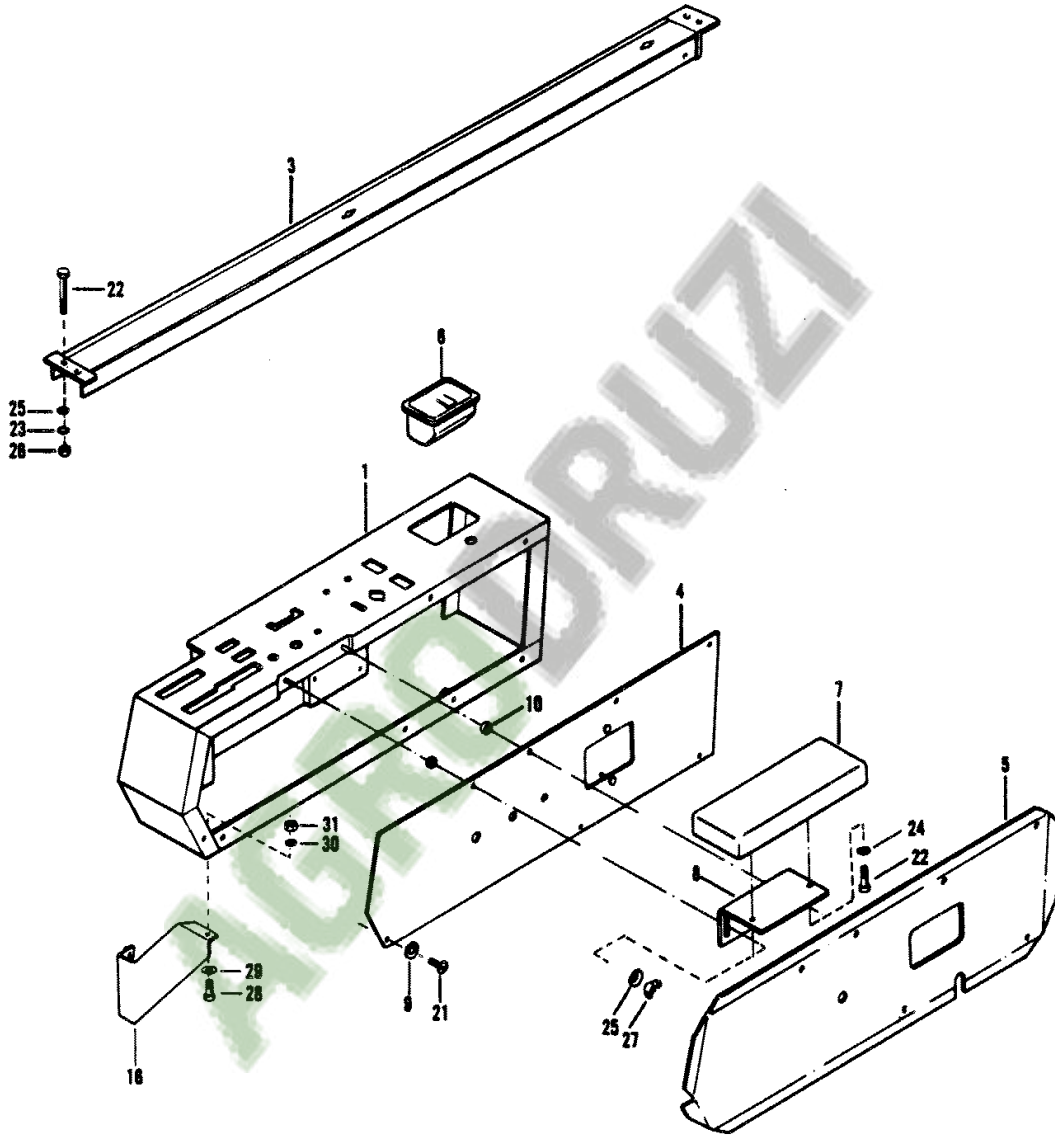


78-65

651 331 M95 (Issue 2) 8/78

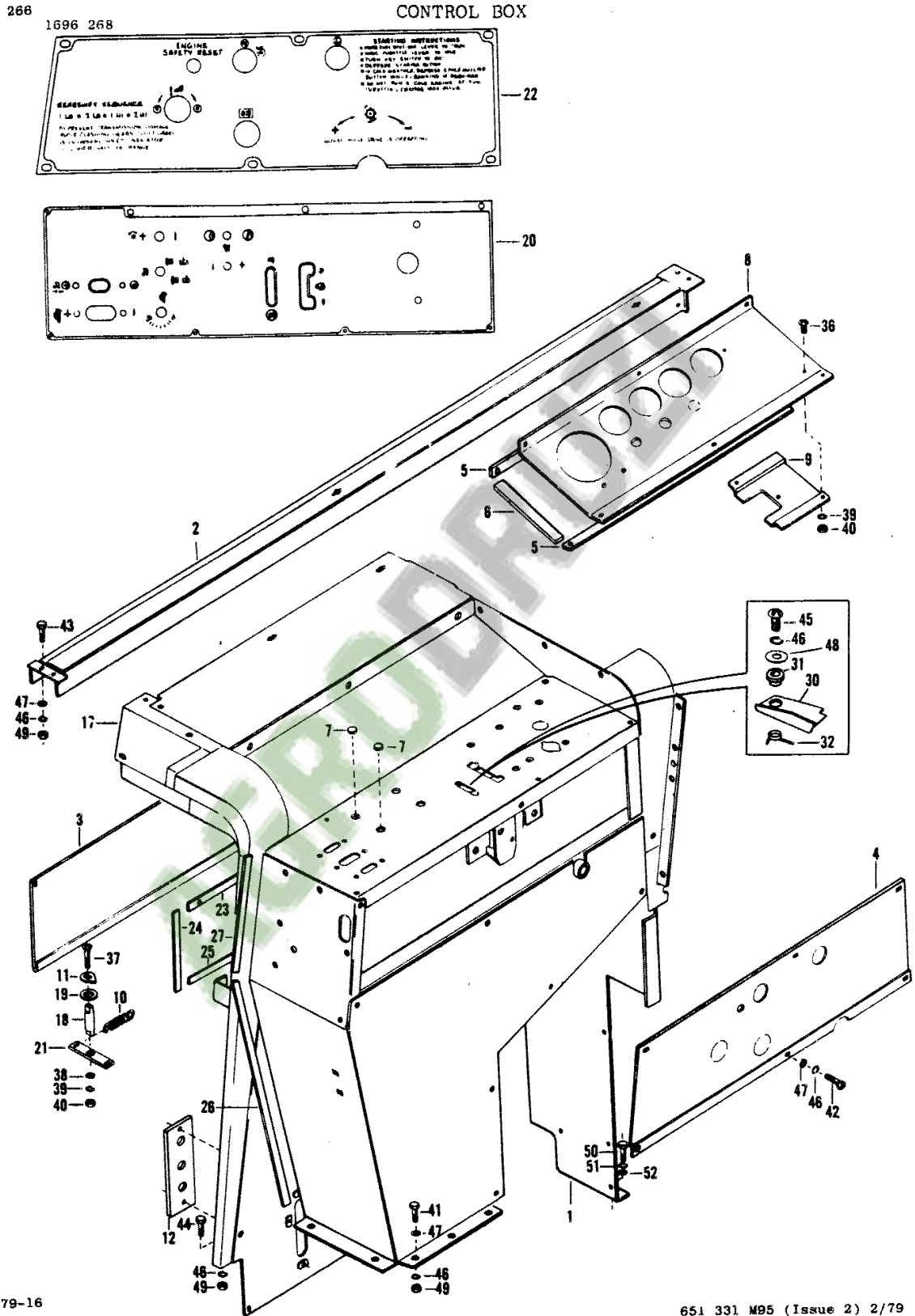
265A  
1696 384-1

CONTROL BOX



79-45

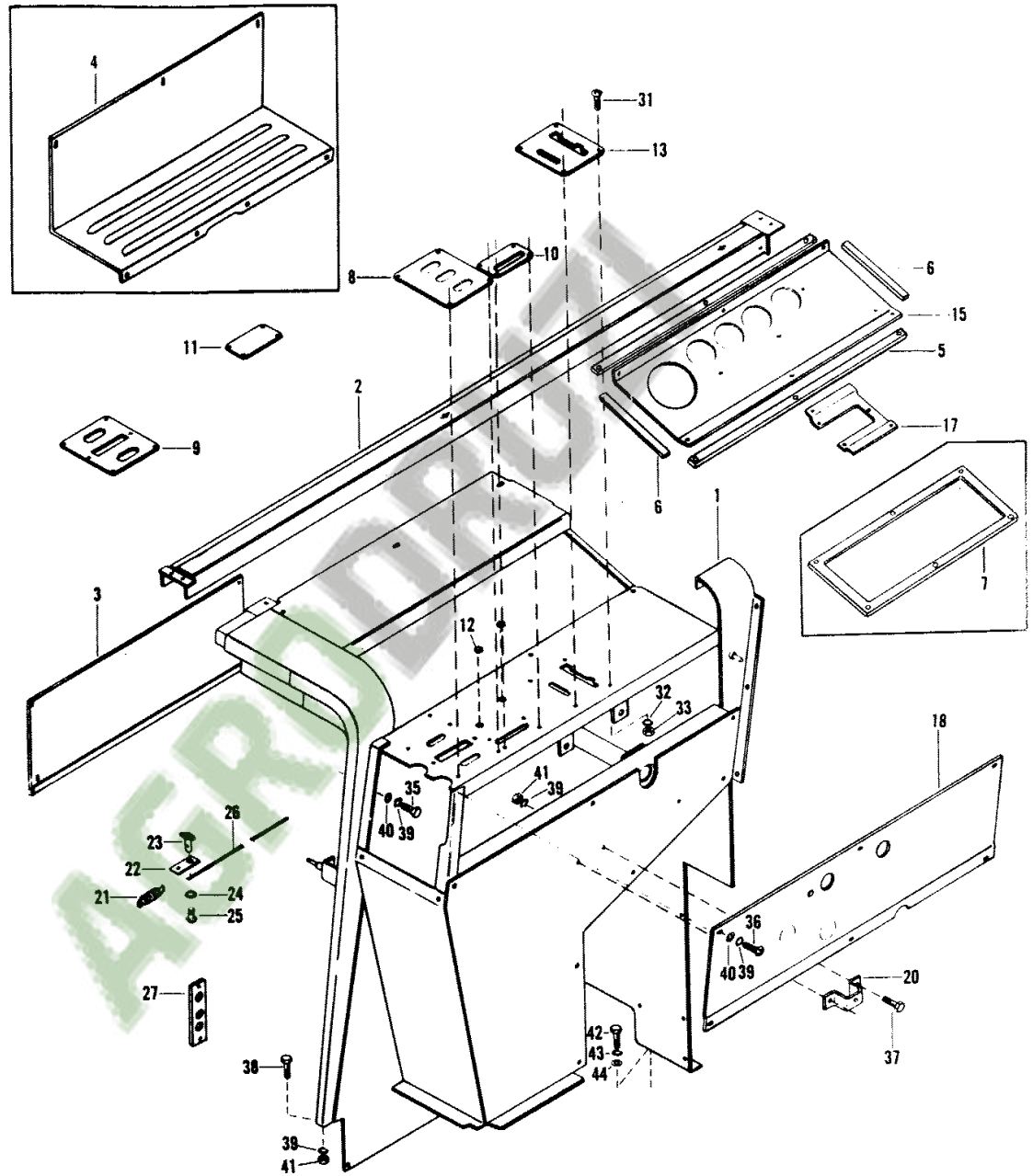
651 331 M95 (Issue 2) 5/79



CONTROL BOX

269

1696 070-2



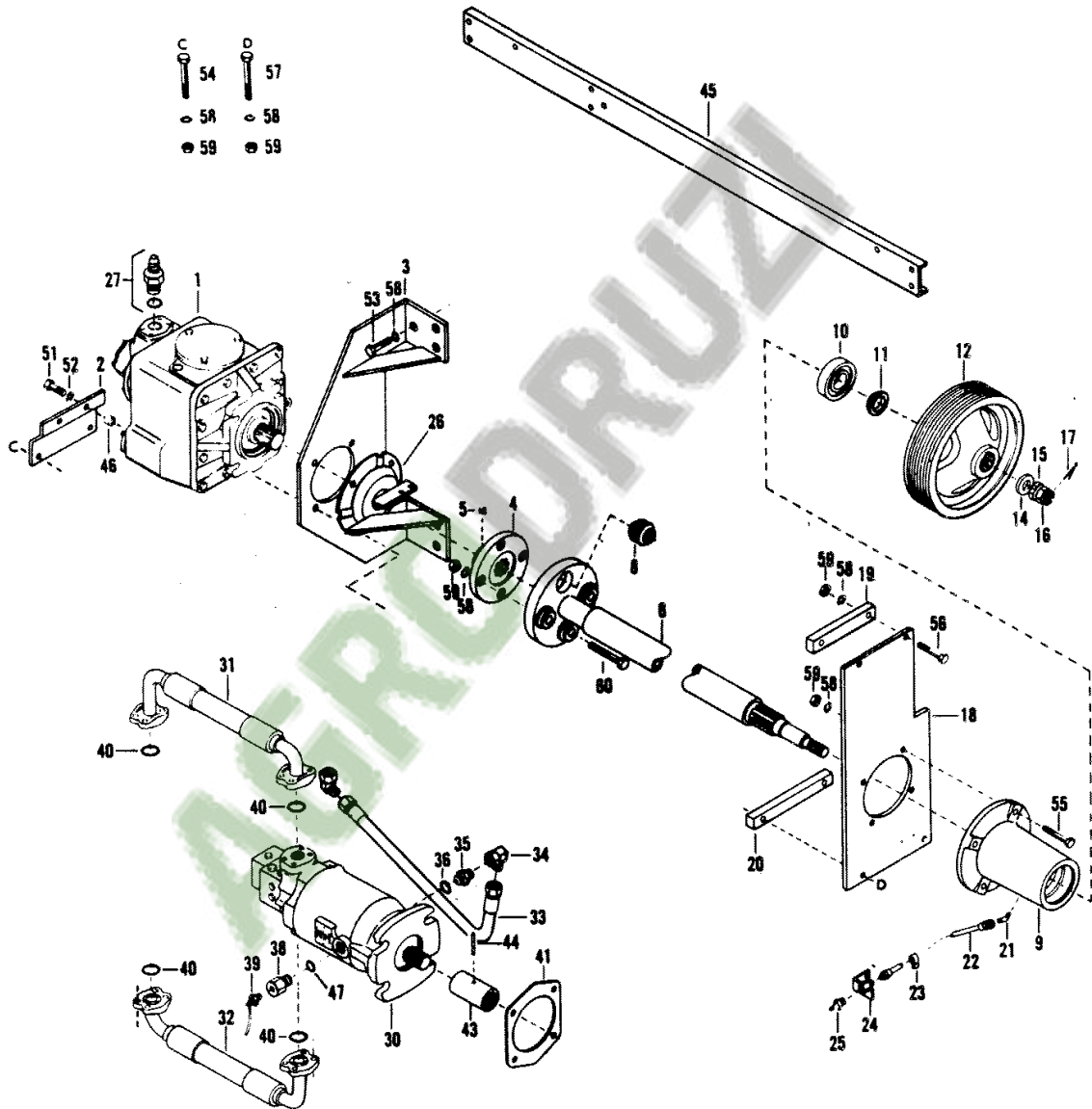
1st Print

651 331 M95 (Issue 1) 12/73

270

HYDROSTATIC PUMP DRIVE AND MOTOR

1696 269 -2



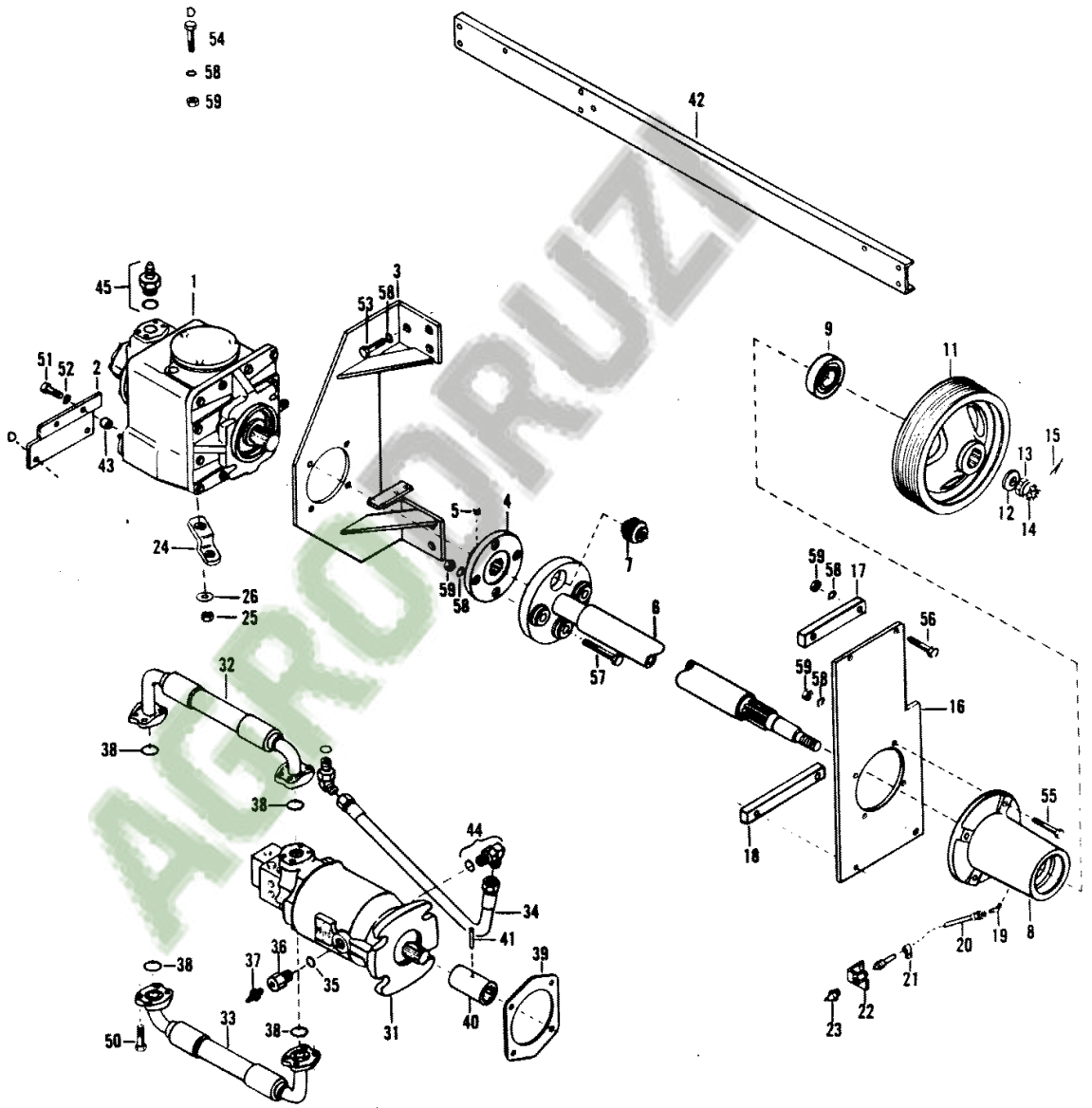
79-16

651 331 M95 (Issue 3) 2/79

HYDROSTATIC PUMP DRIVE AND MOTOR

271B

1696 327-1



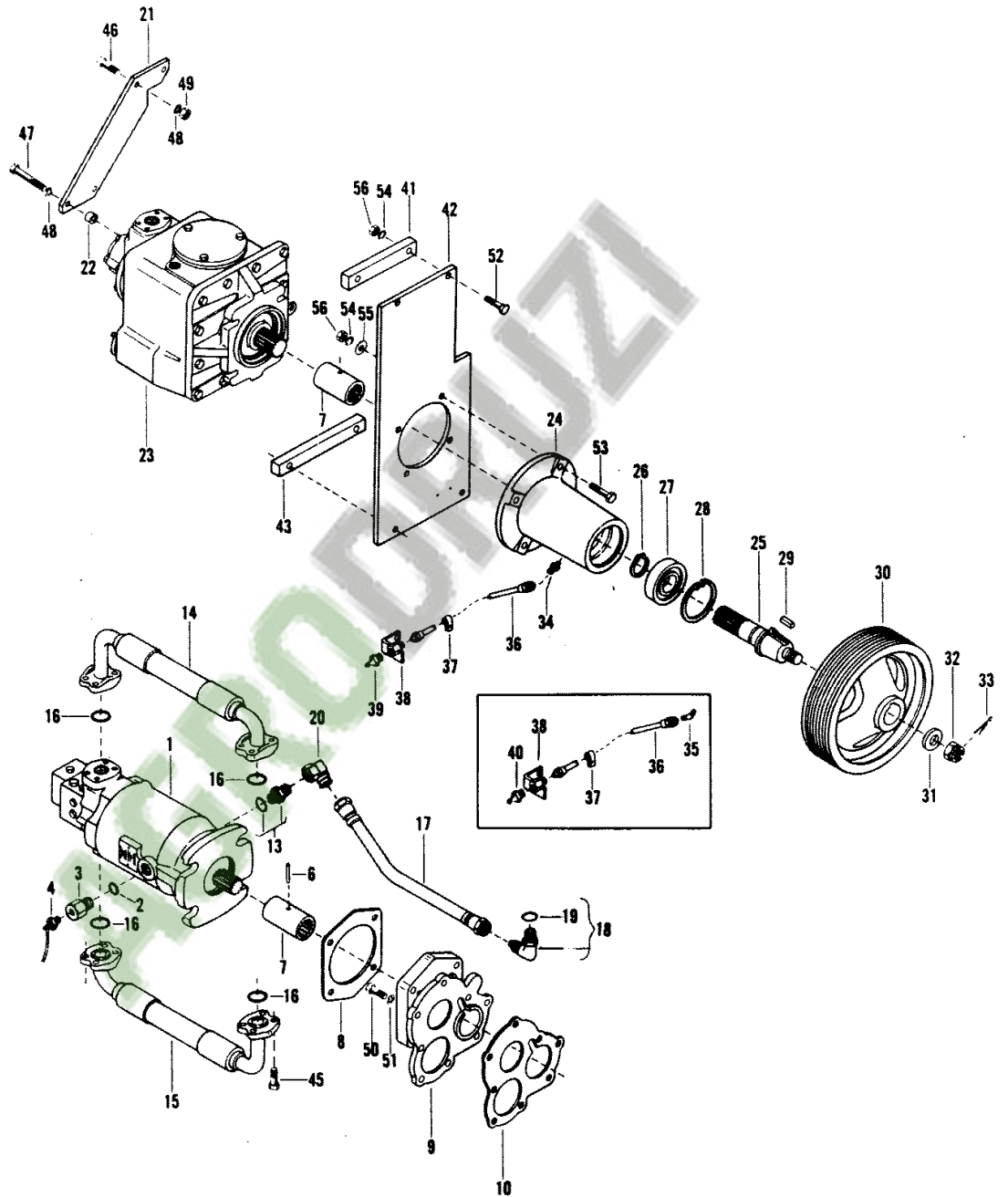
79-16

651 331 M95 (Issue 2) 2/79

HYDROSTATIC PUMP AND MOTOR

273

1696 071-1



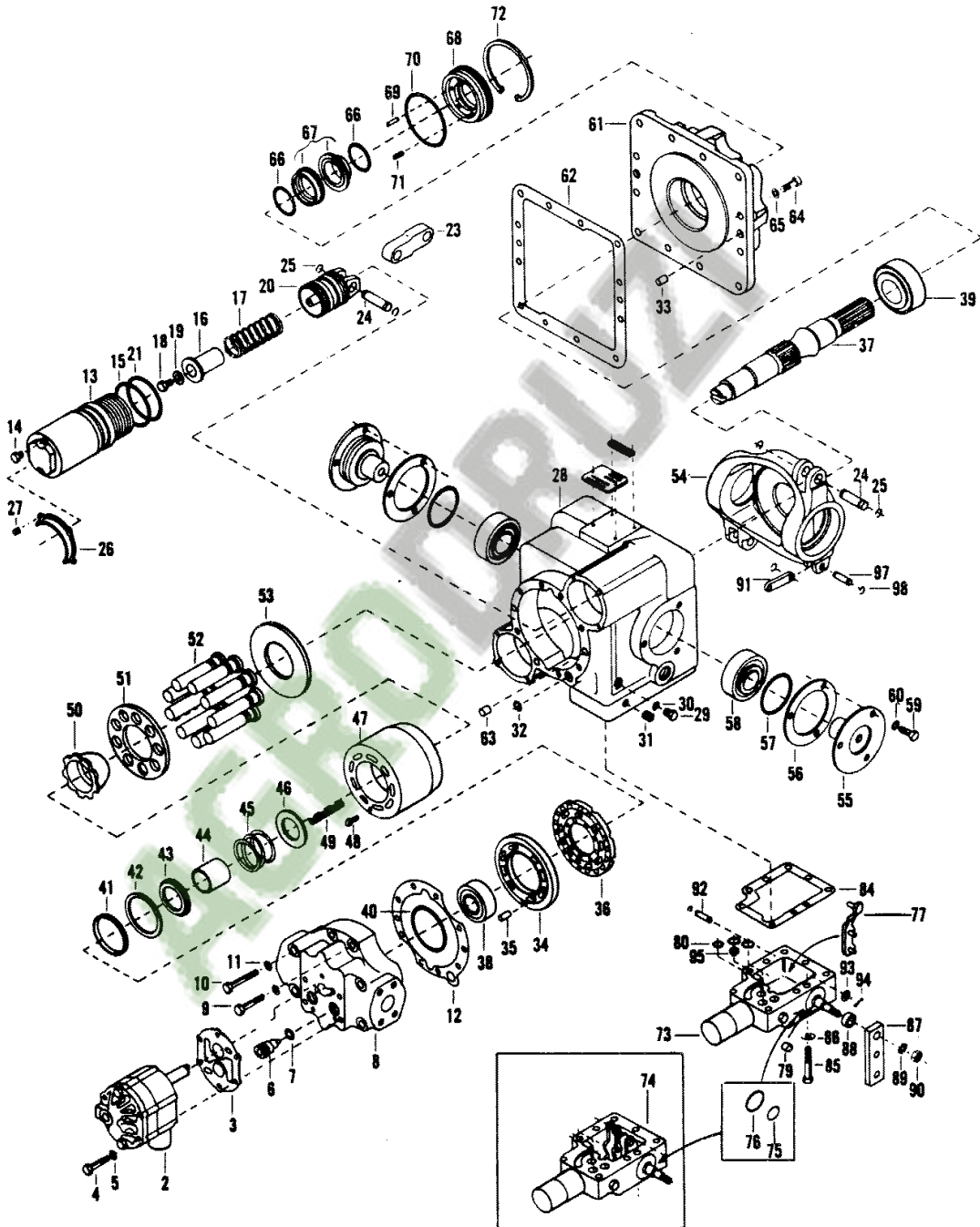
1st Print

651 331 M05 (Issue 1) 12/77

274

HYDROSTATIC PUMP

1696 072-2



1st Print

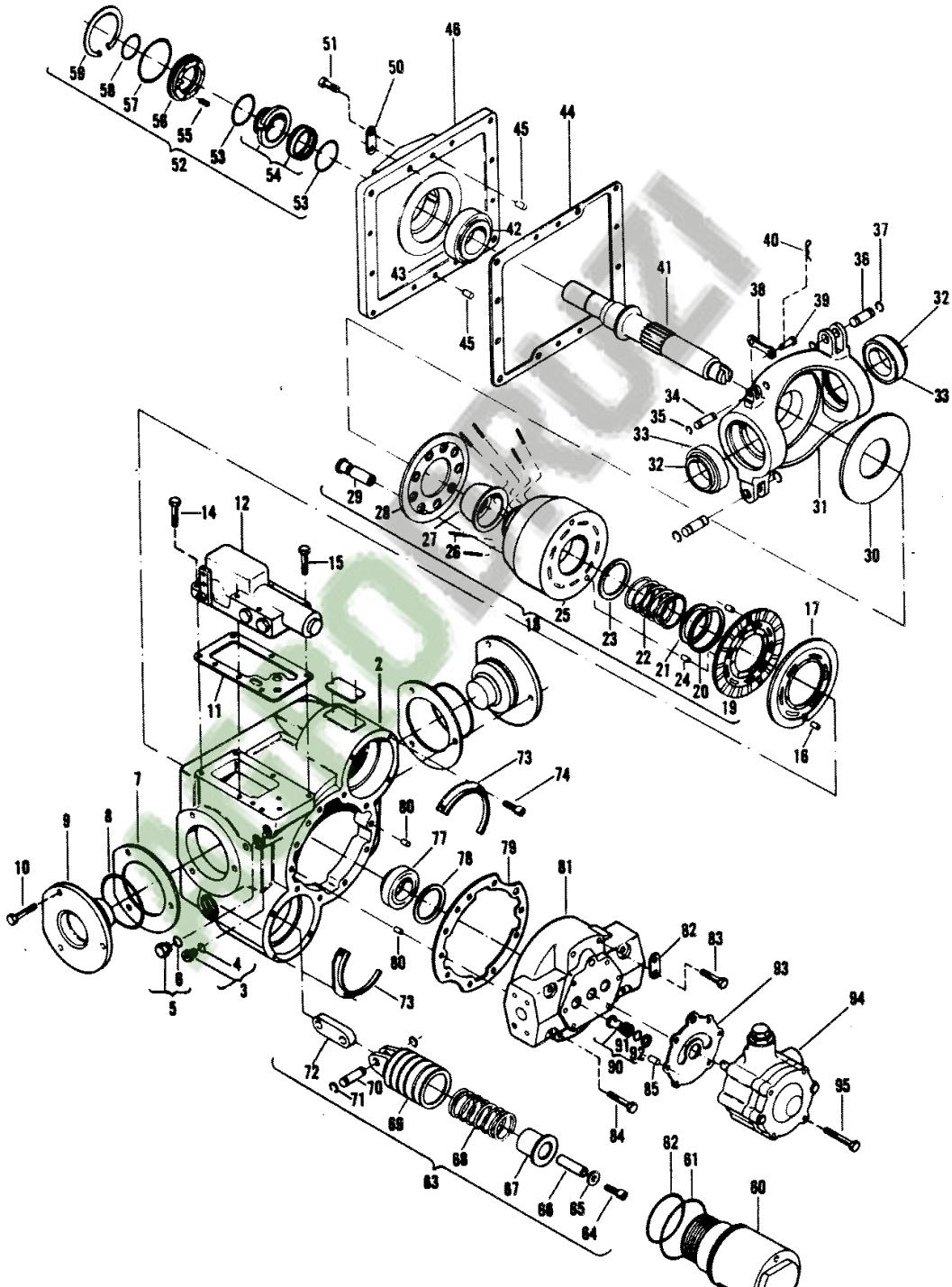
651 331 M05 (Issue 1) 12/77



277A

HYDROSTATIC PUMP

1696 385



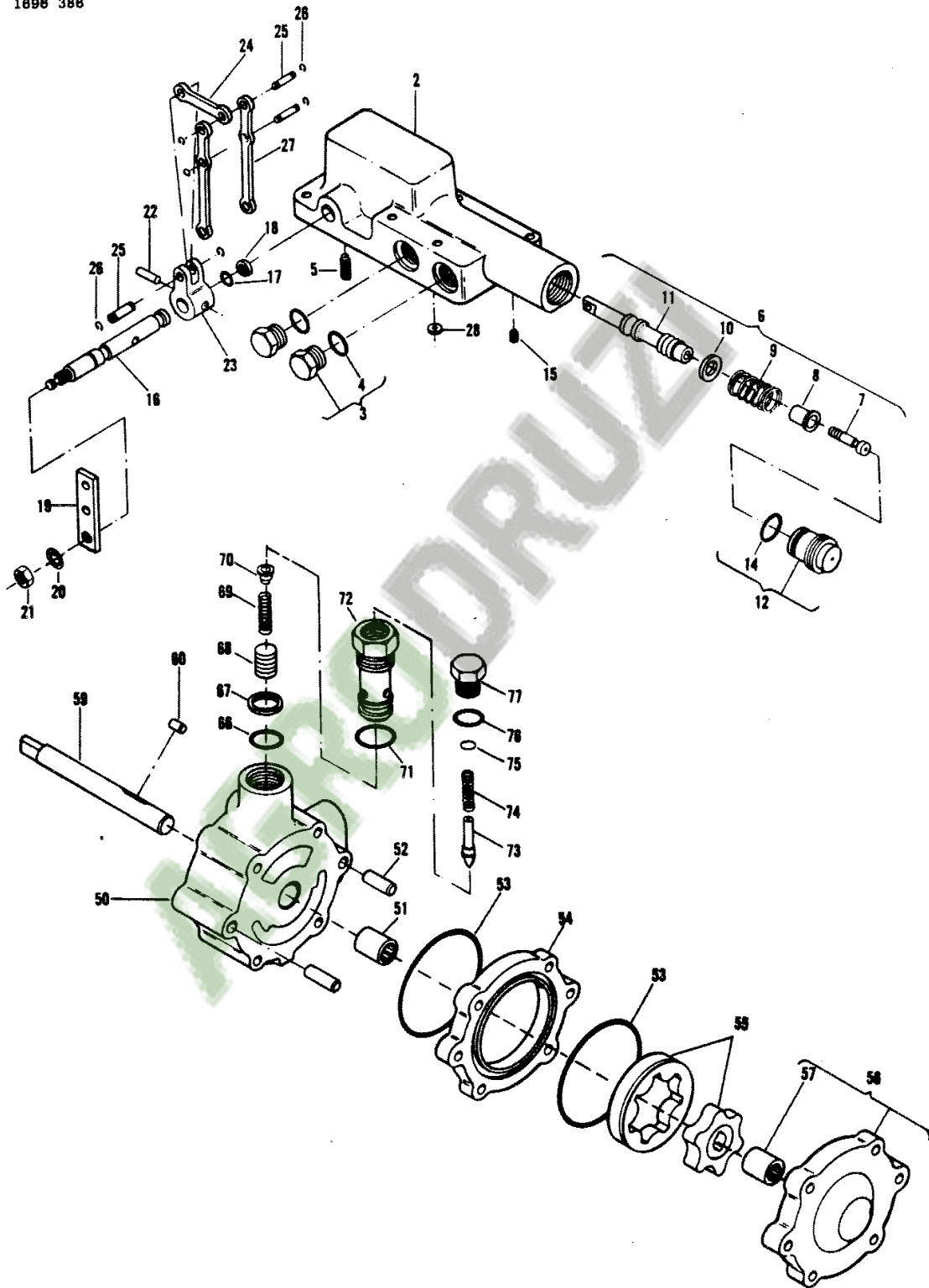
79-16

651 331 M95 (Issue 2) 2/79

277E

CONTROL VALVE, CHARGING PUMP

1696 386



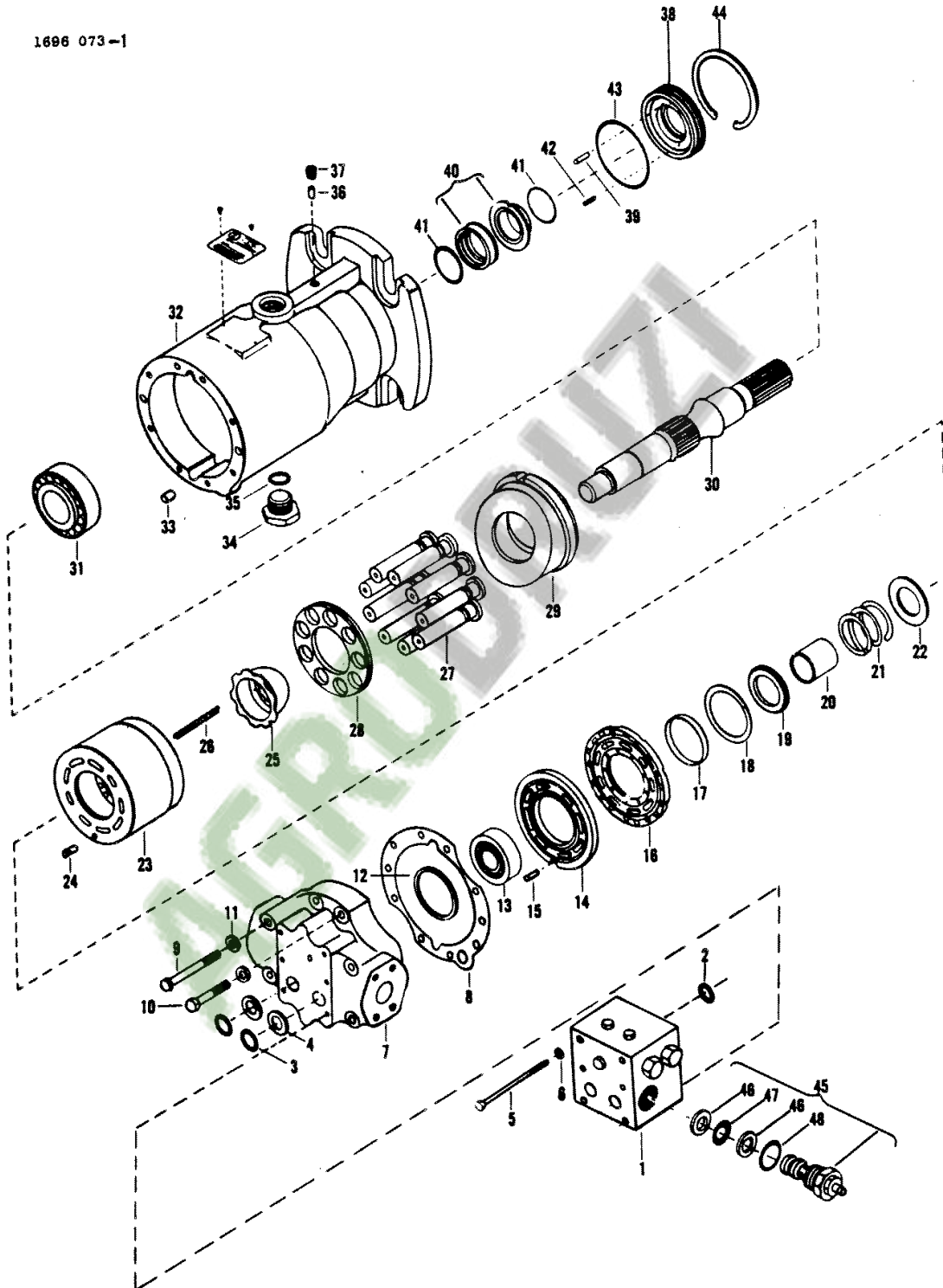
79-16

651 331 M95 (Issue 1) 2/79

278

PUMP DRIVE MOTOR

1696 073-1



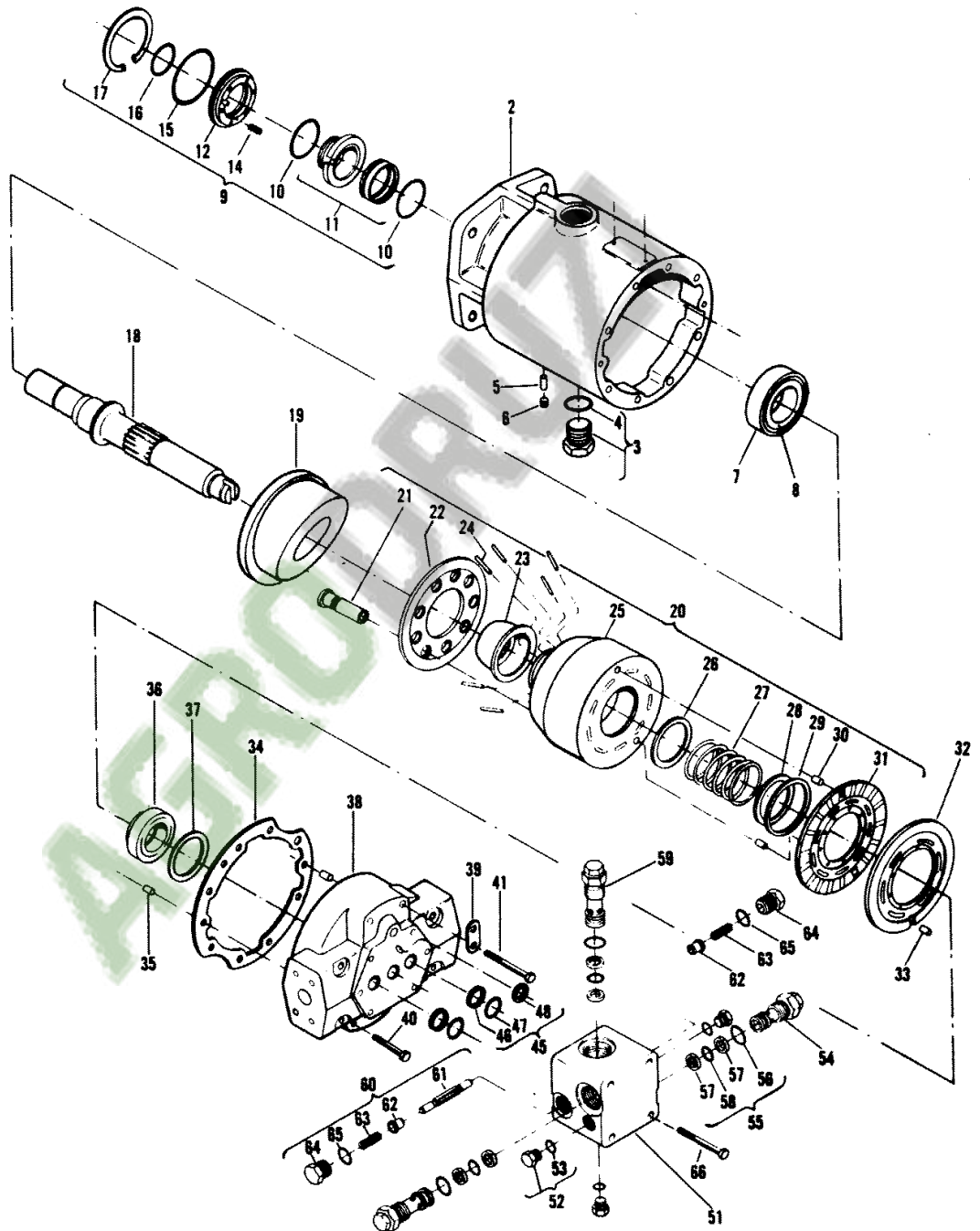
1st Print

651 331 M95 (Issue 1) 12/77

PUMP DRIVE MOTOR

279B

1696 387

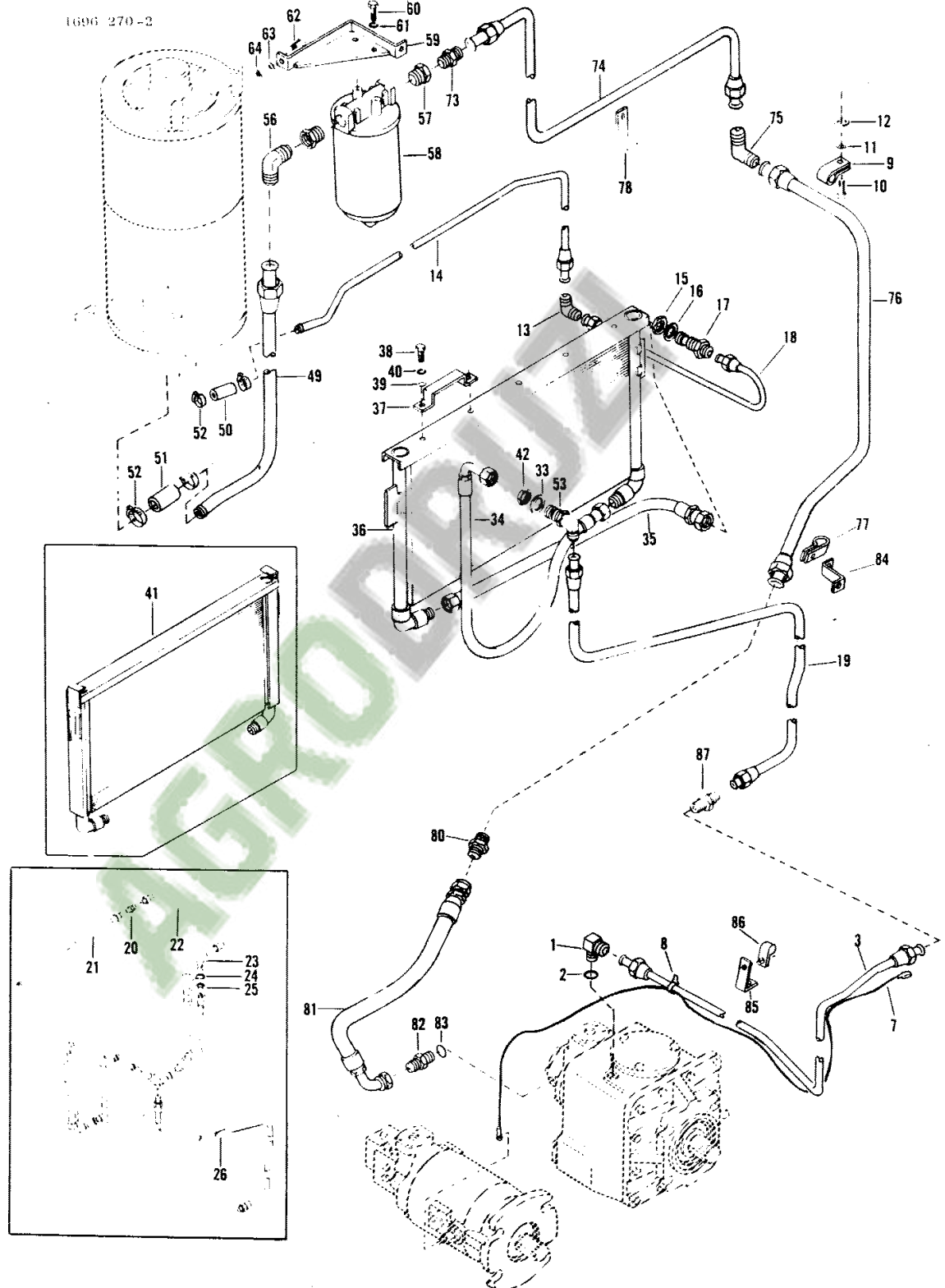


79-16

651 331 M95 (Issue 2) 2/79

AUXILIARY EQUIPMENT HYDROSTATIC TRANSMISSION

281

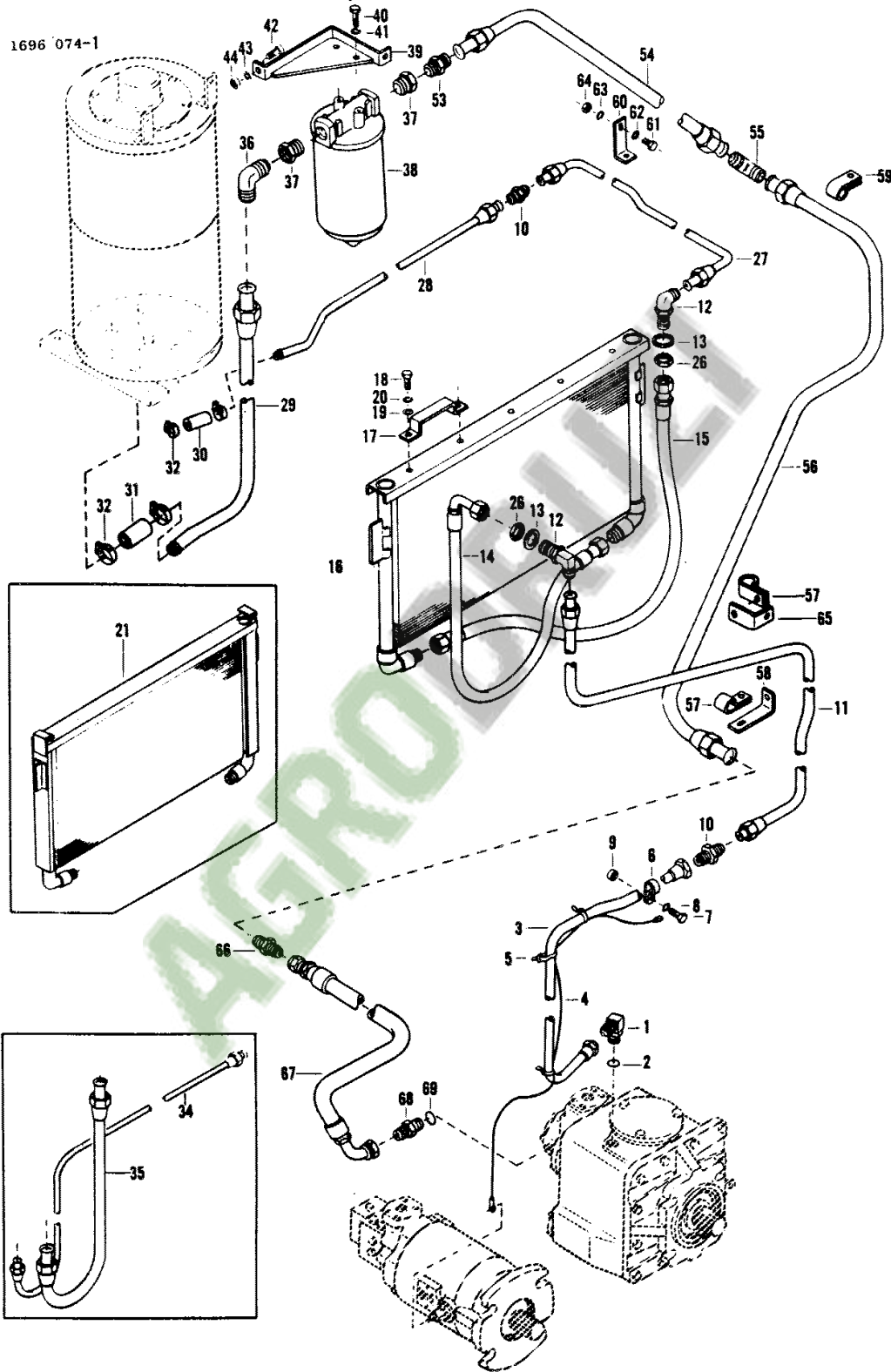


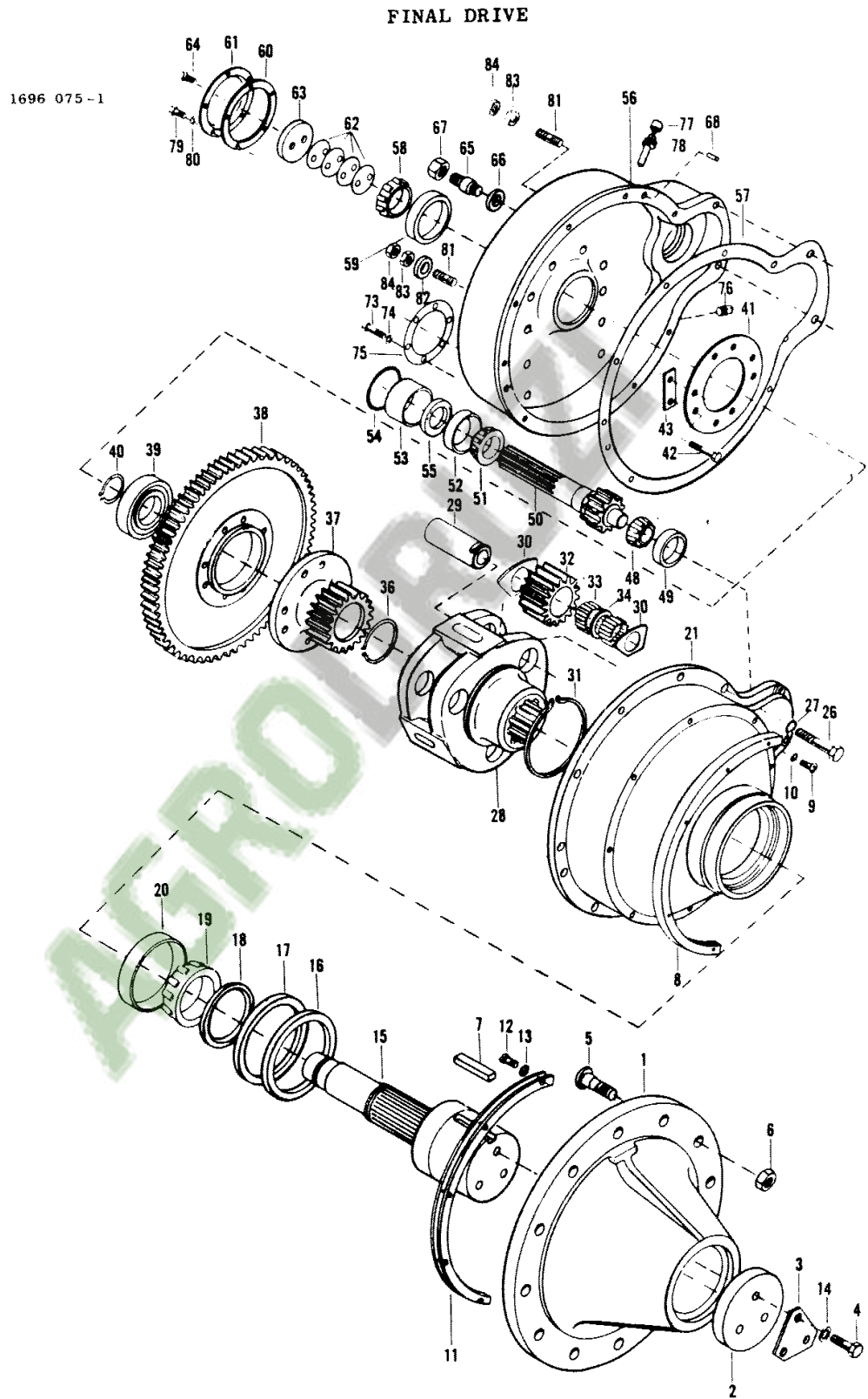
78-65

651 331 M95 (Issue 2) 8/78

282

AUXILIARY EQUIPMENT HYDROSTATIC TRANSMISSION





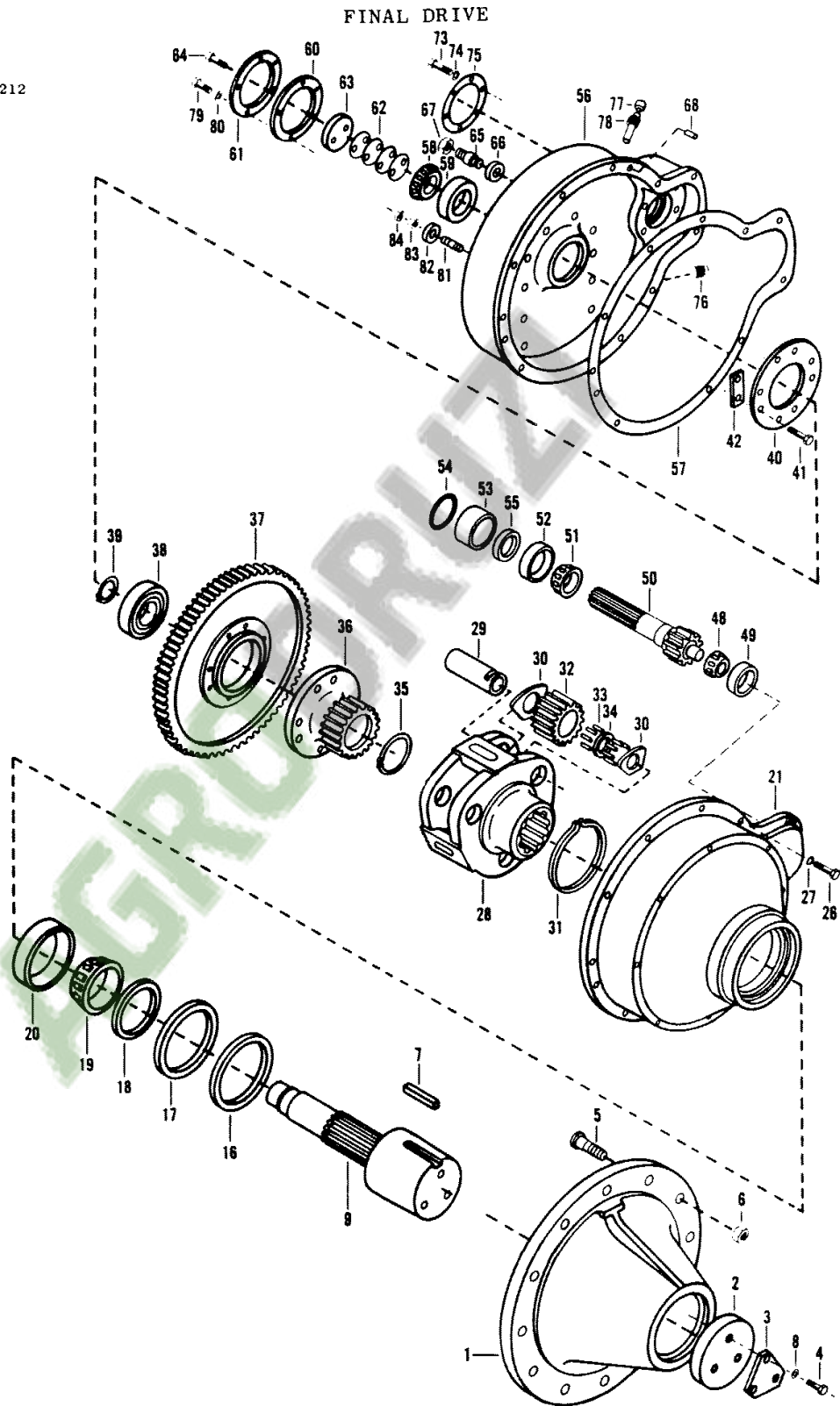
1696 075-1

FINAL DRIVE

1st Print

651 331 M95 (Issue 1) 12/77

1696 212



1st Print

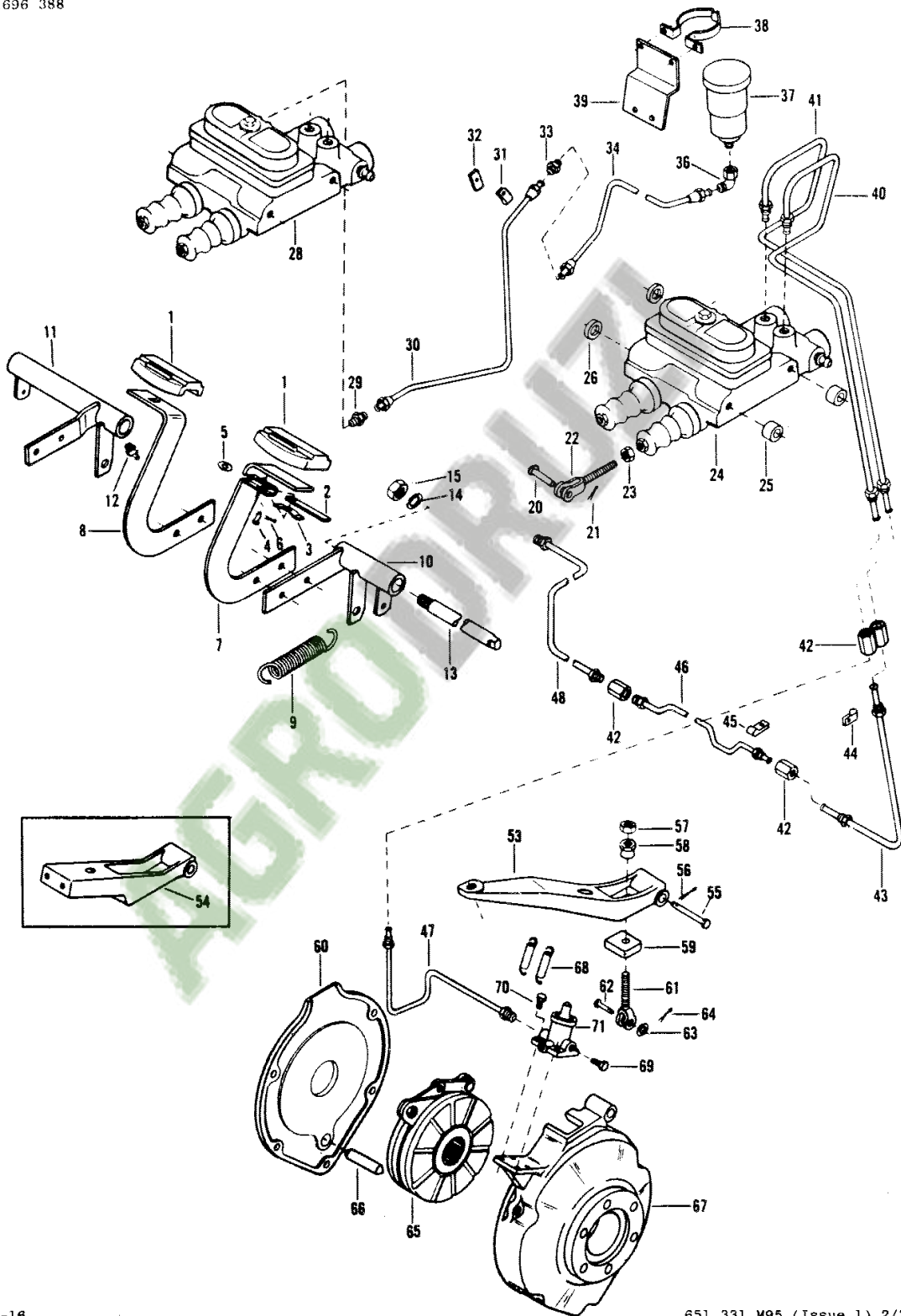
651 331 M95 (Issue 1) 12/77



289A

1696 388

TURNING BRAKES



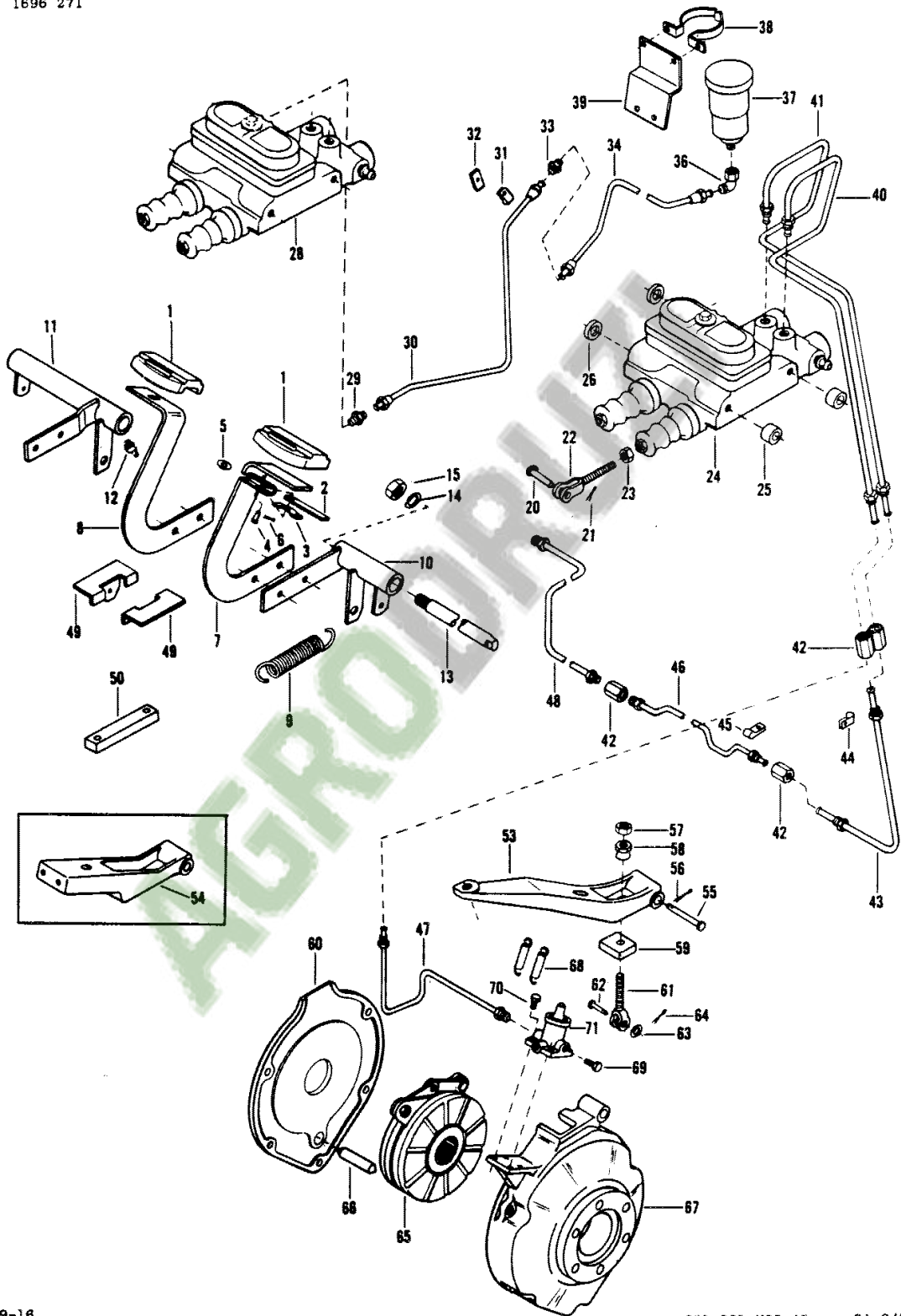
79-16

651 331 M95 (Issue 1) 2/79

290

TURNING BRAKES

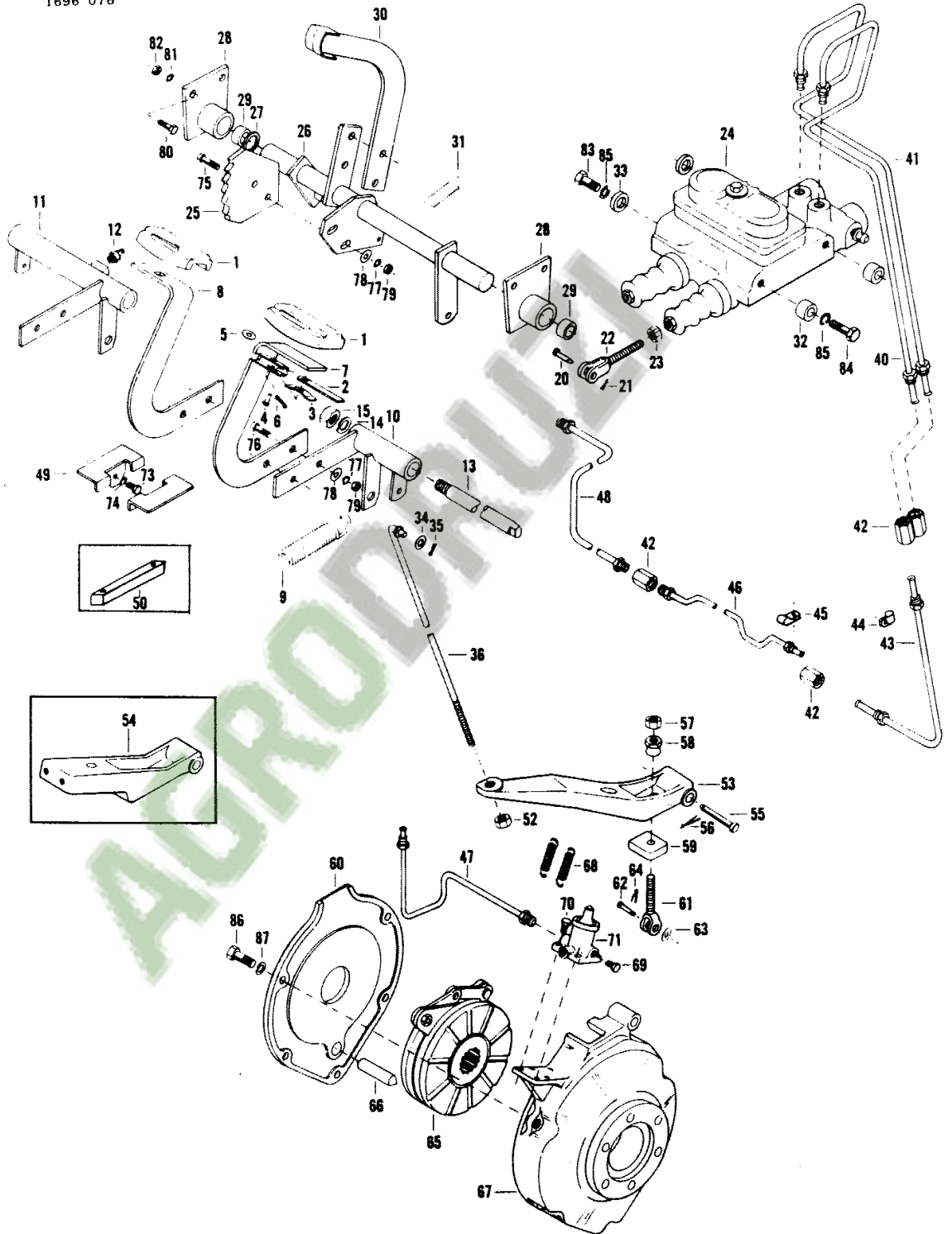
1696 271



TURNING BRAKES

293

1696 076



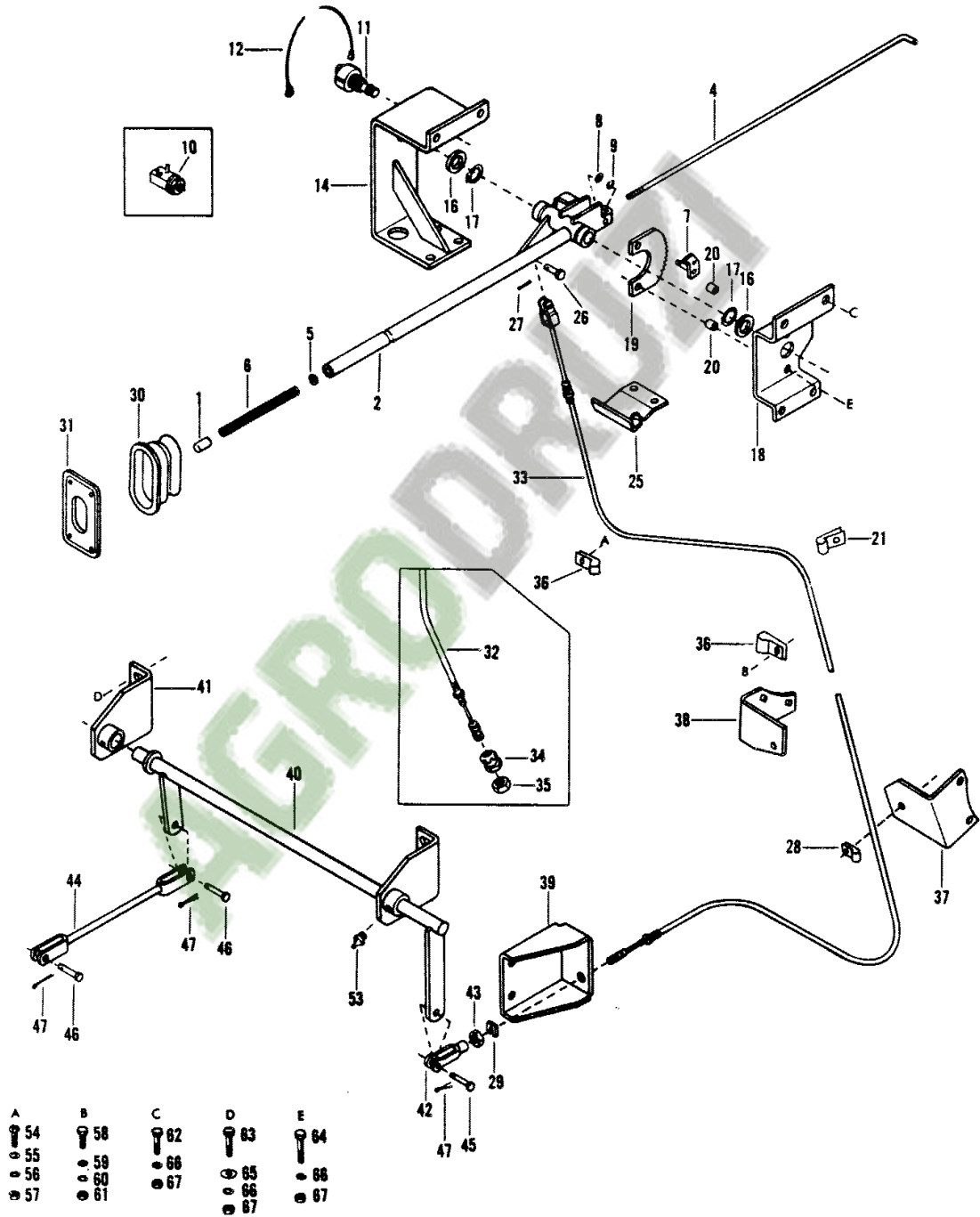
1st Print

651 331 M95 (Issue 1) 12/77

294

PARKING BRAKE CONTROLS

1696 272-1



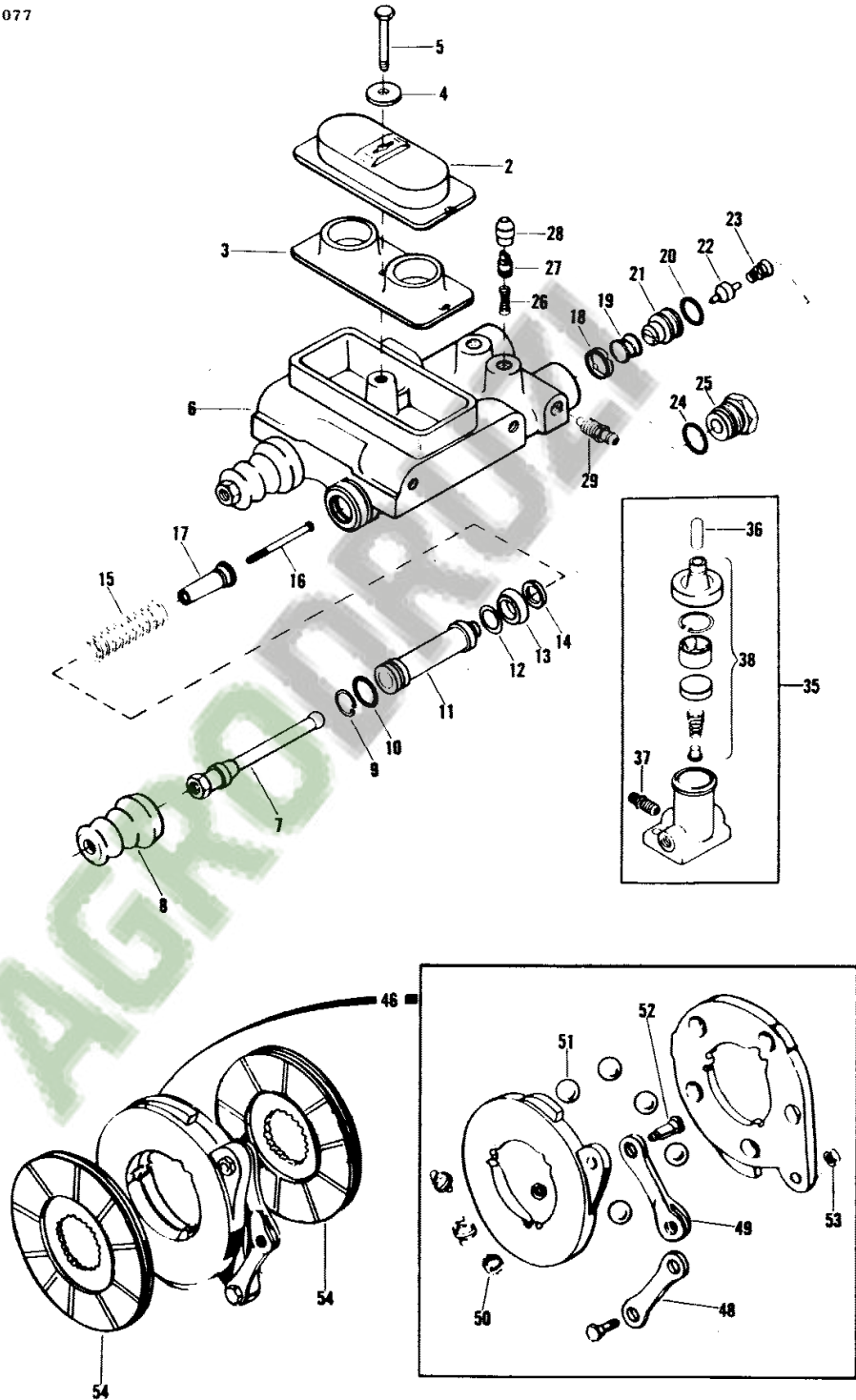
79-16

651 331 M95 (Issue 2) 2/79

BRAKE CYLINDER, BRAKE ASSEMBLY

297

1696 077



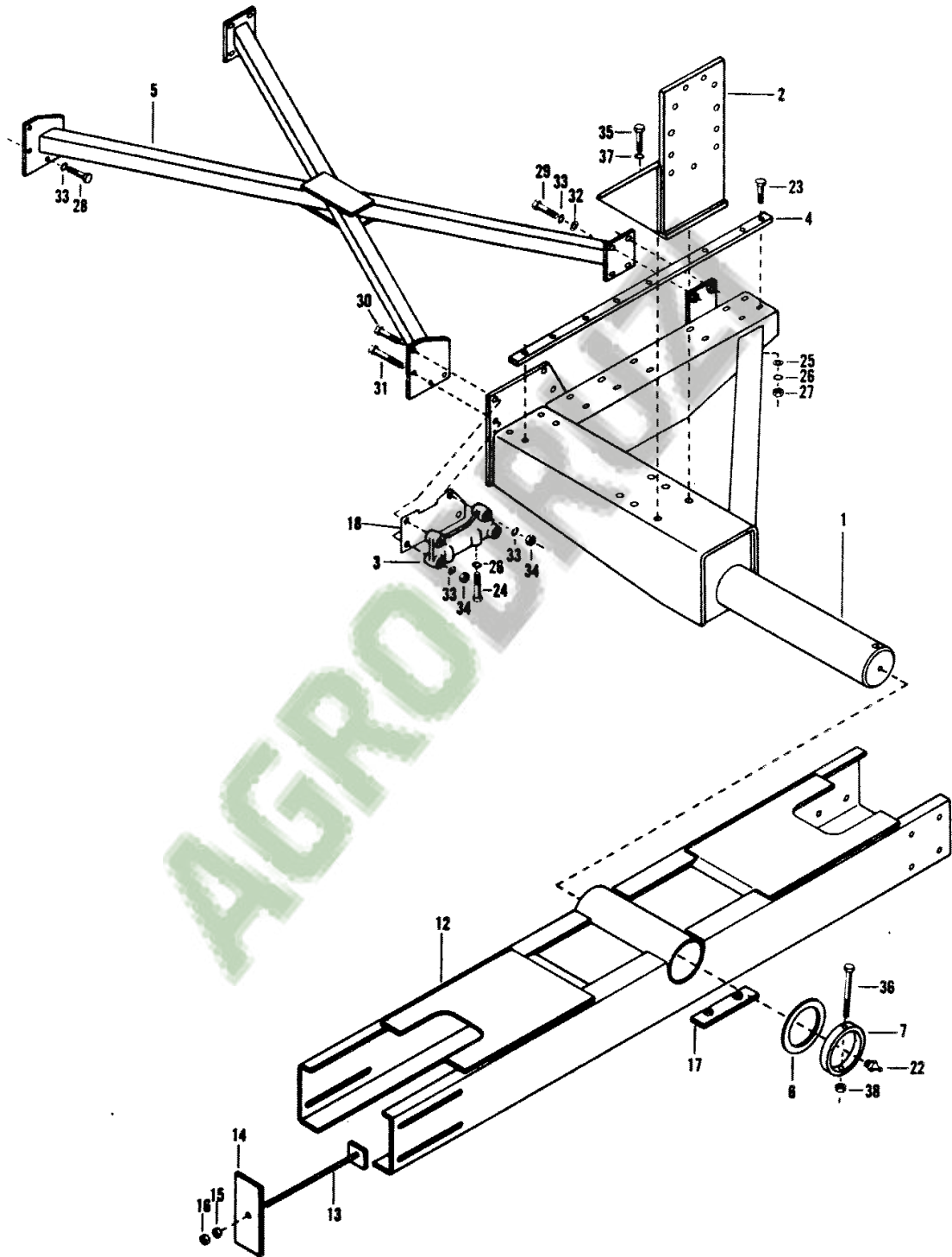
1st Print

651 331 M95 (Issue 1) 12/77

298

TRACK, FRAME AND AXLE

1696 213-1



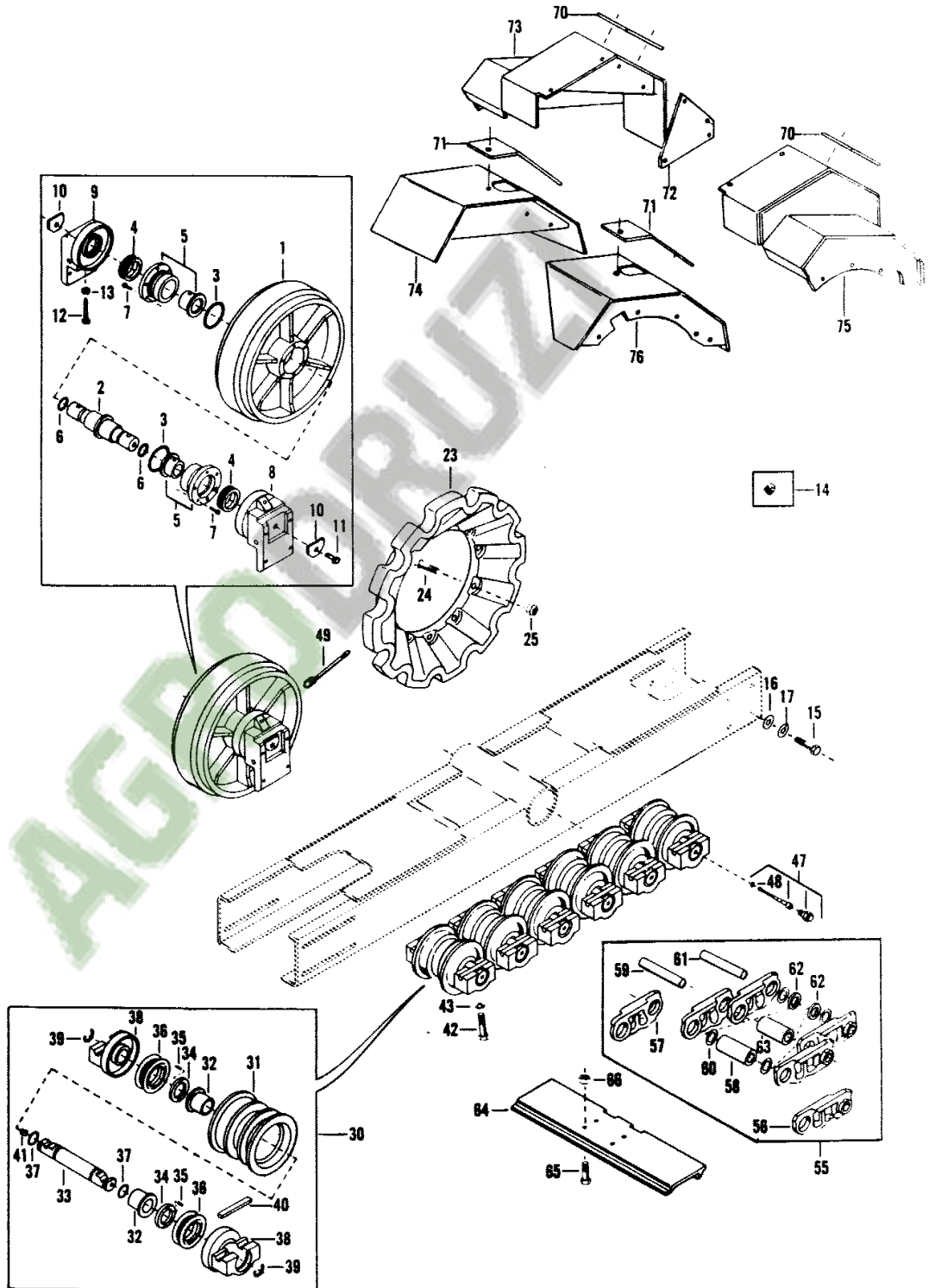
1st Print

651 331 M95 (Issue 1) 12/77

TRACK, IDLER AND ROLLERS

301

1696 214-2



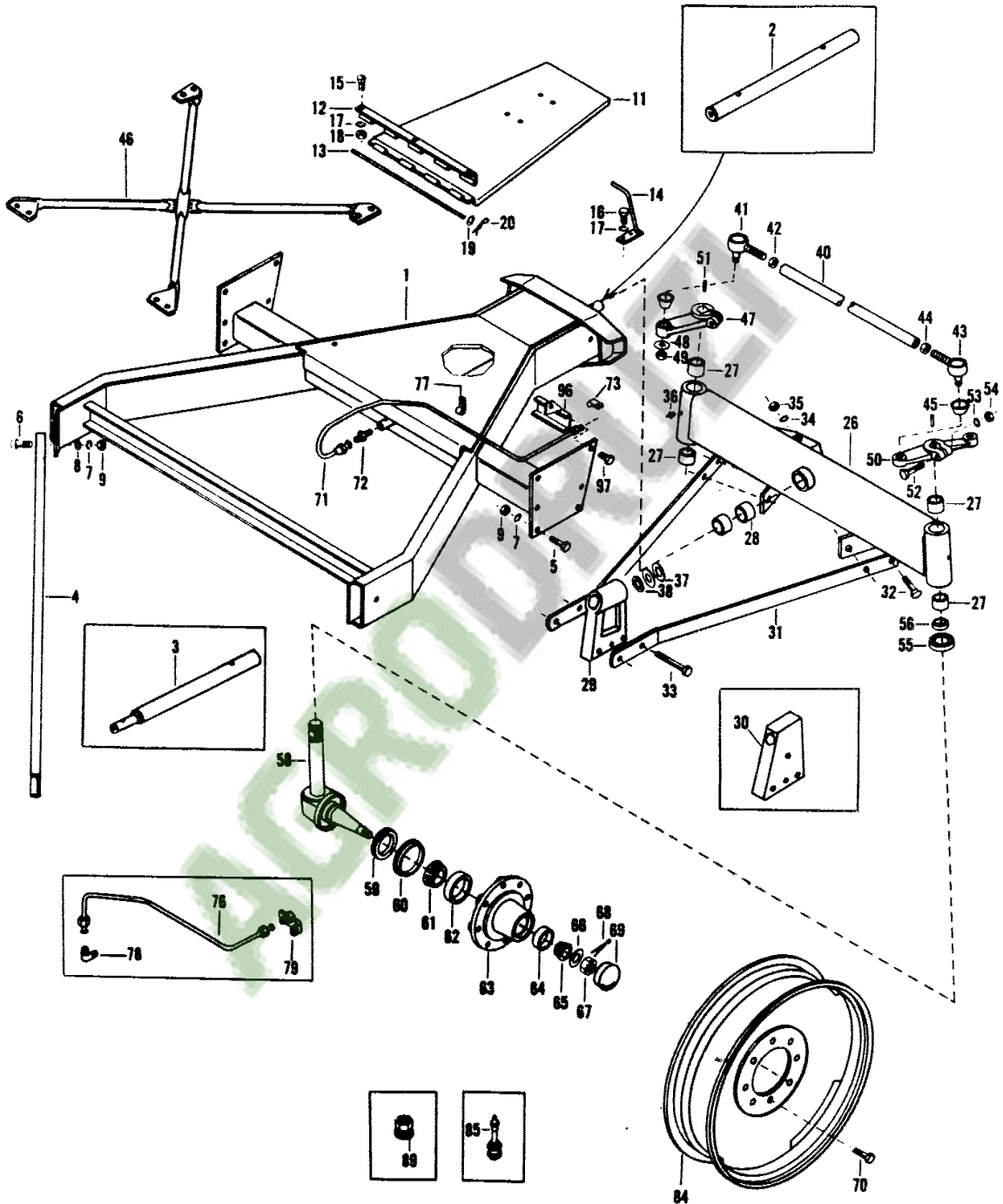
79-16

651 331 M95 (Issue 2) 2/7

302

"A" FRAME, FIXED REAR AXLE, WHEELS

1696 079-4



1st Print

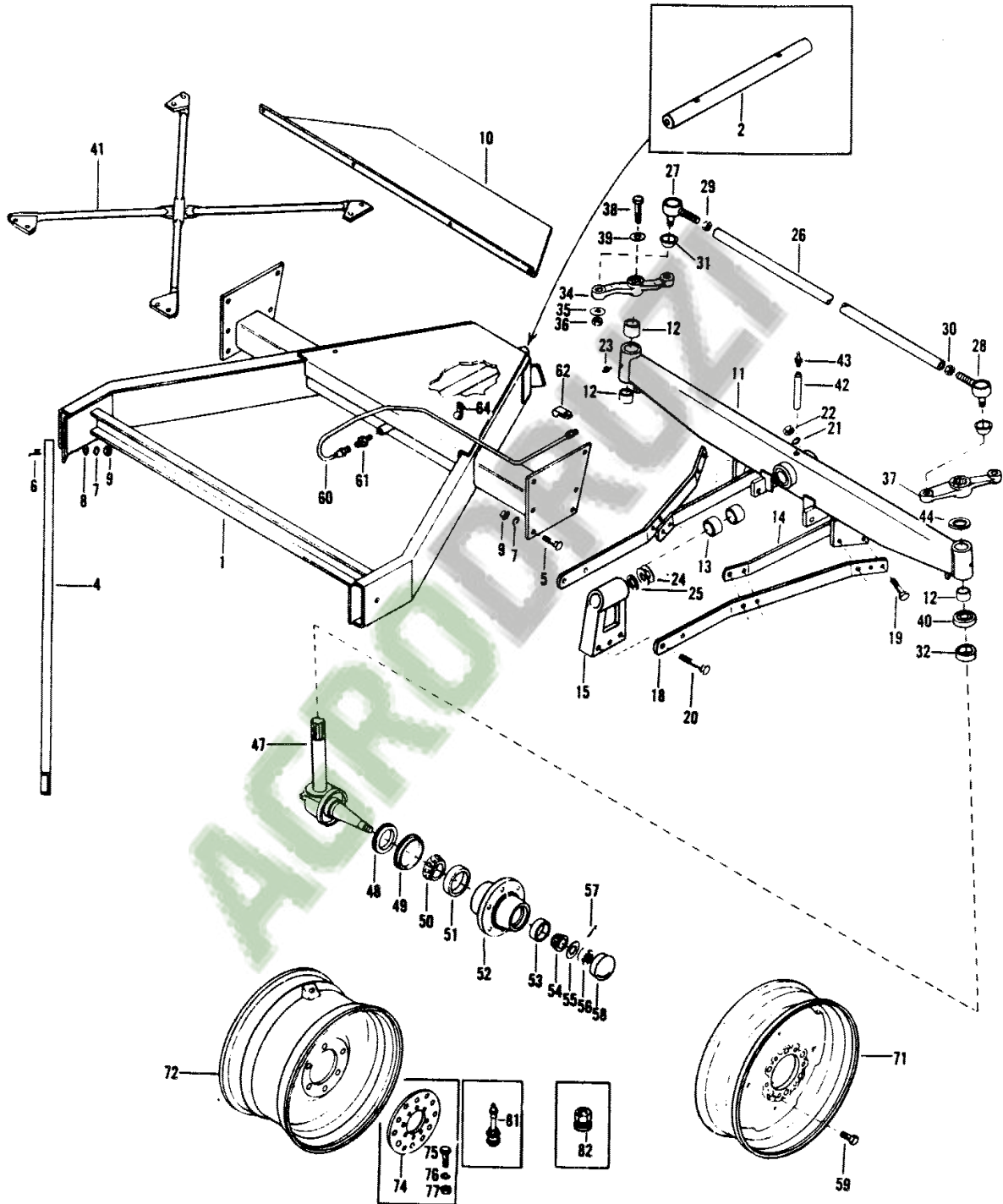
651 331 M95 (Issue 1) 12/77



305A

"A" FRAME, FIXED REAR AXLE, WHEELS

1696 389



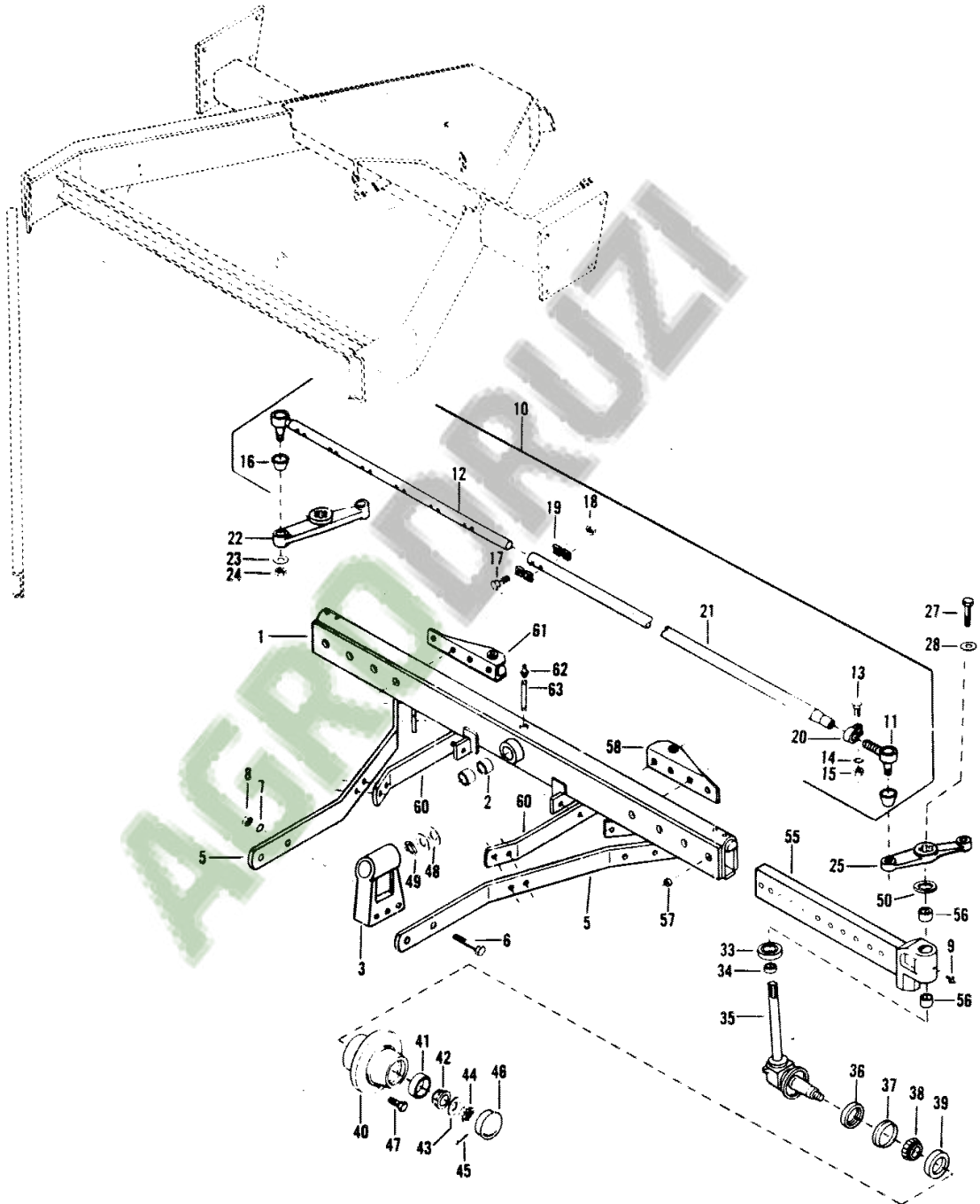
79-16

651 331 M95 (Issue 1) 2/79

309A

ADJUSTABLE REAR AXLE

1696 390



80-1

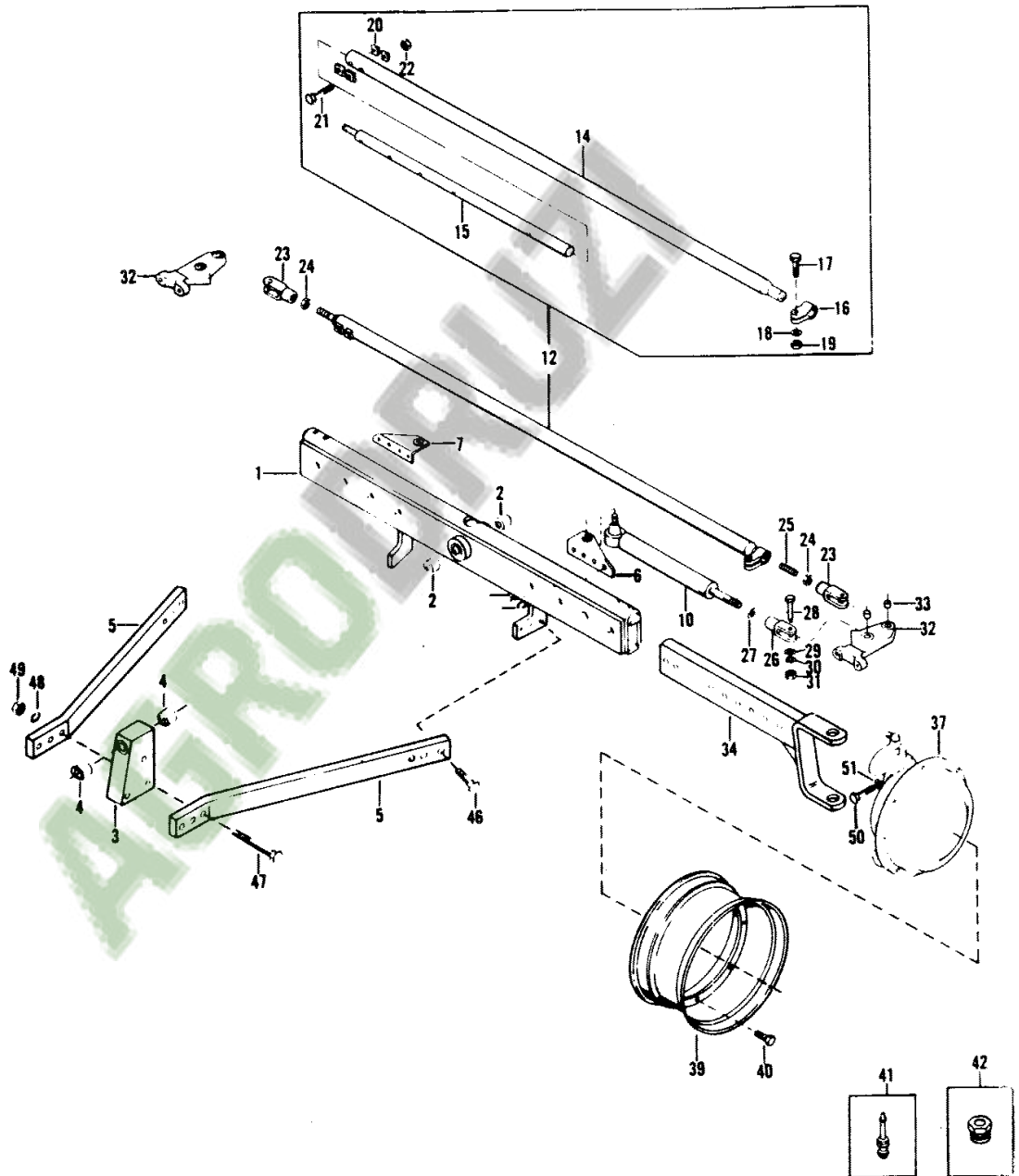
651 331 M95 (Issue 3) 11/79



REAR WHEEL DRIVE

311B

1696 391



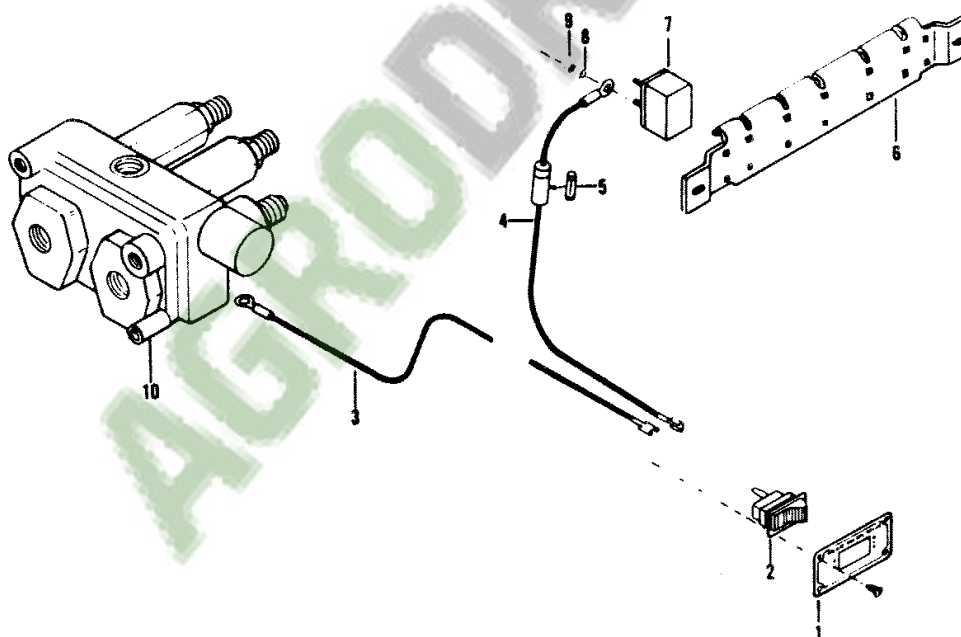
79-16

651 331 M95 (Issue 1) 2/79

311C

REAR WHEEL DRIVE

1696 392



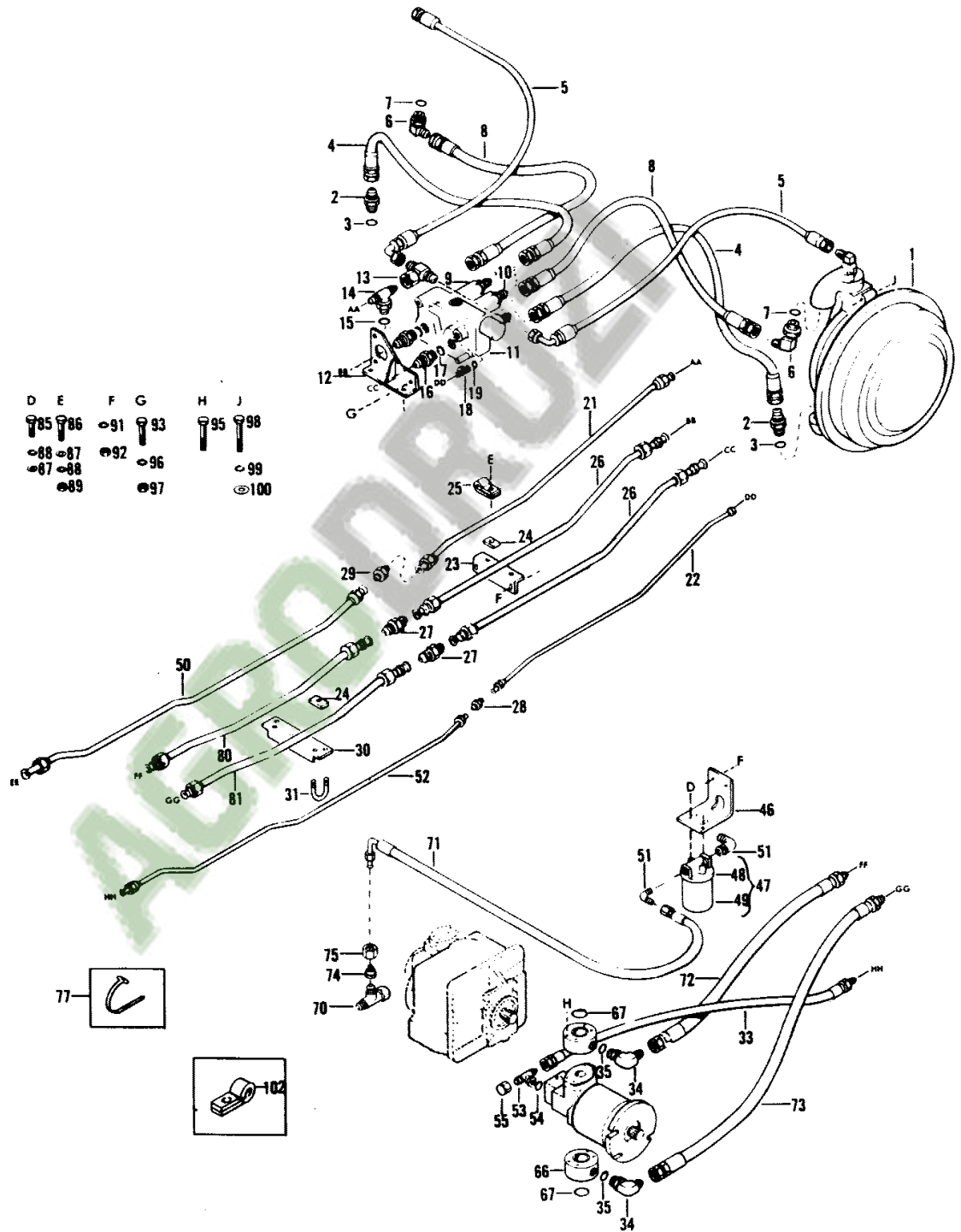
79-16

651 331 M95 (Issue 1) 2/79

REAR WHEEL DRIVE

311F

1696 393



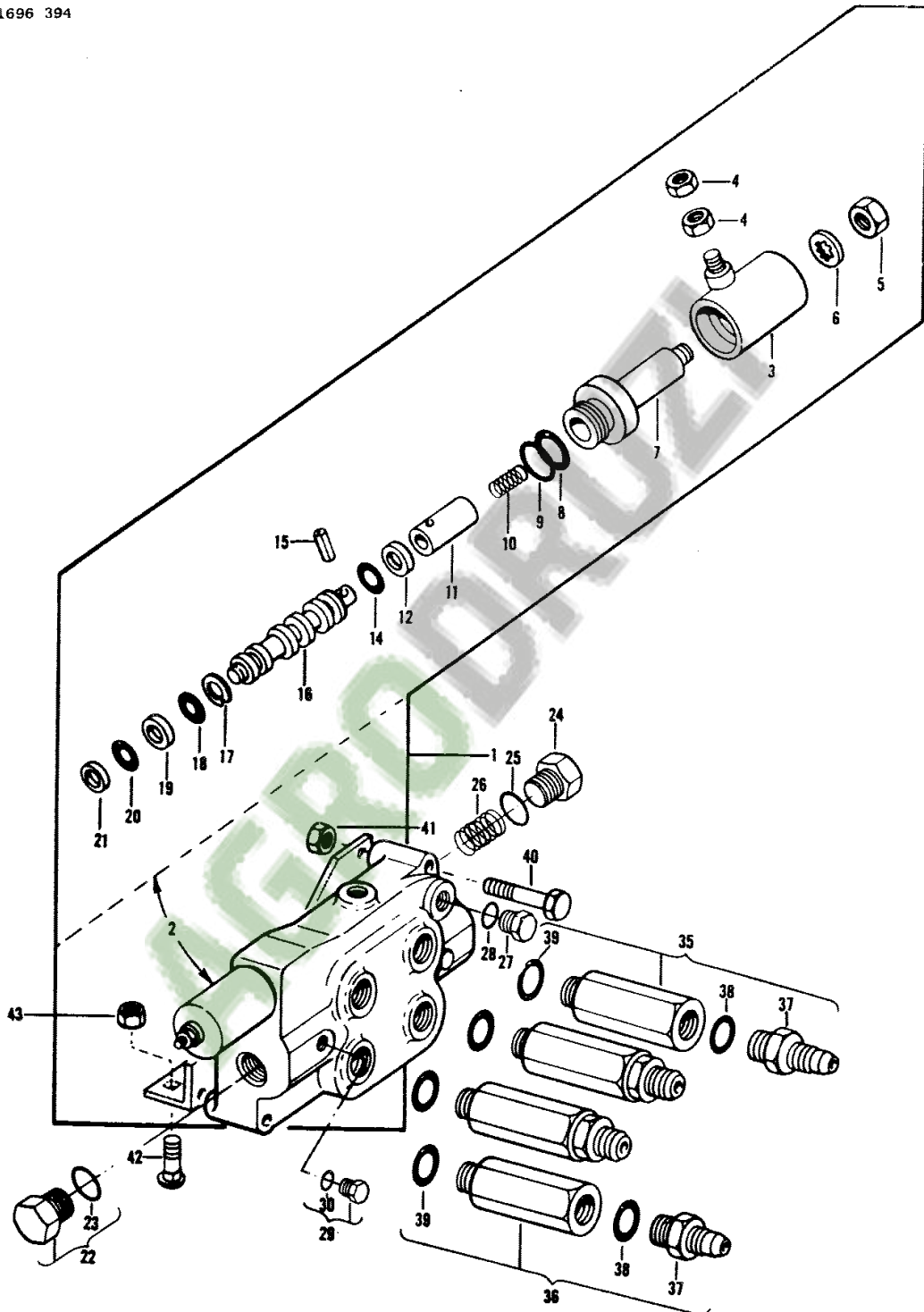
79-16

651 331 M95 (Issue 1) 2/79

311G

REAR WHEEL DRIVE

1696 394



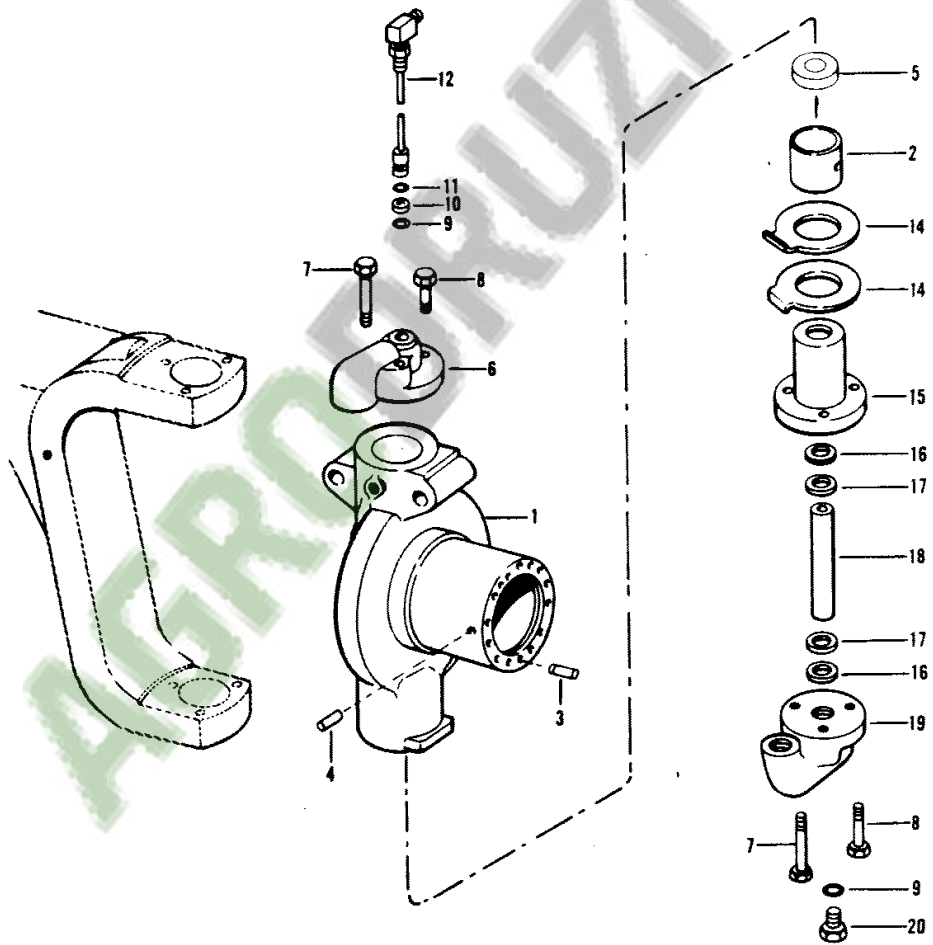
79-16

651 331 M95 (Issue 1) 2/79

REAR WHEEL DRIVE

311K

1696 395



79-16

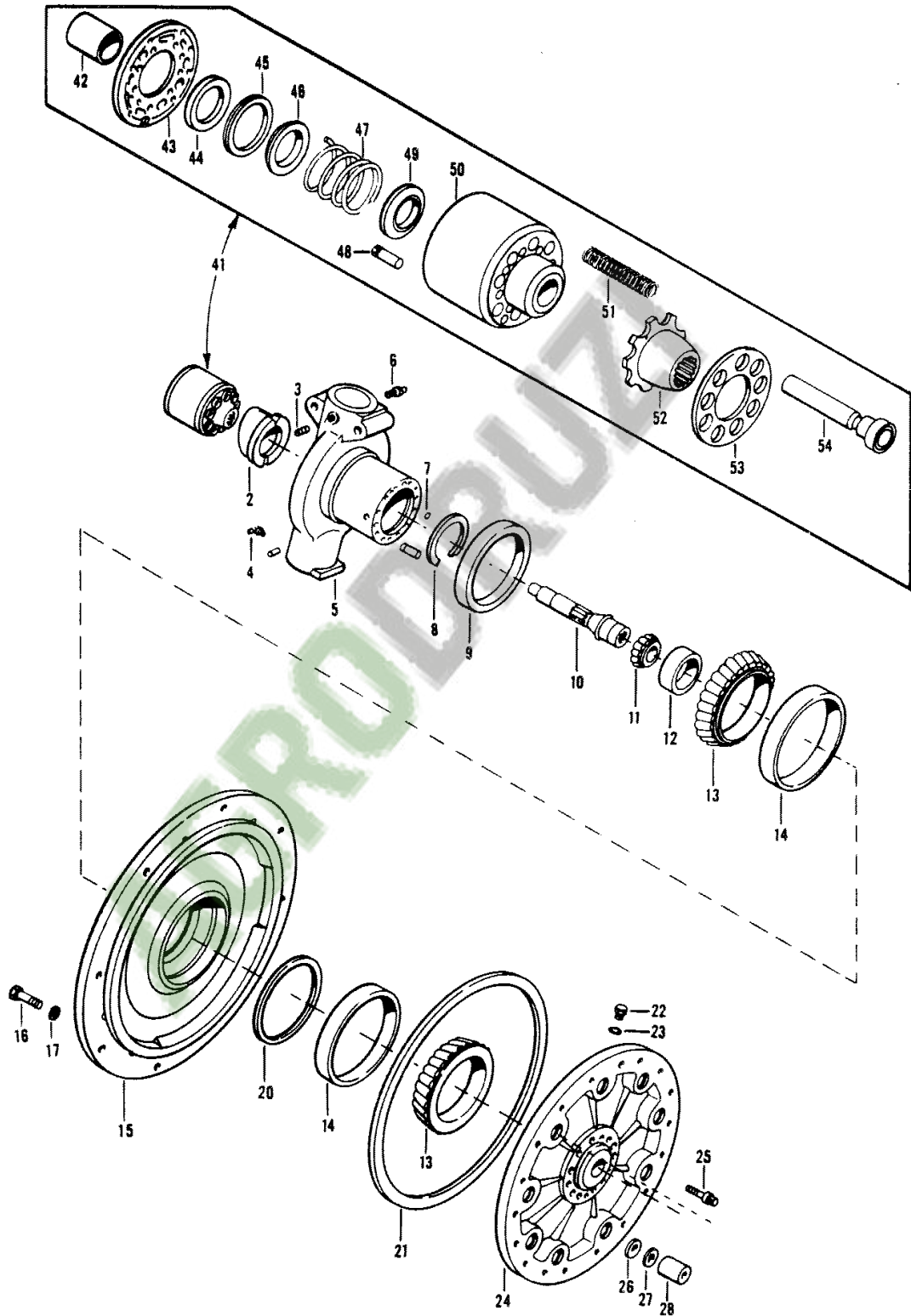
651 331 M95 (Issue 1) 2/75



311L

REAR WHEEL DRIVE

1696 396

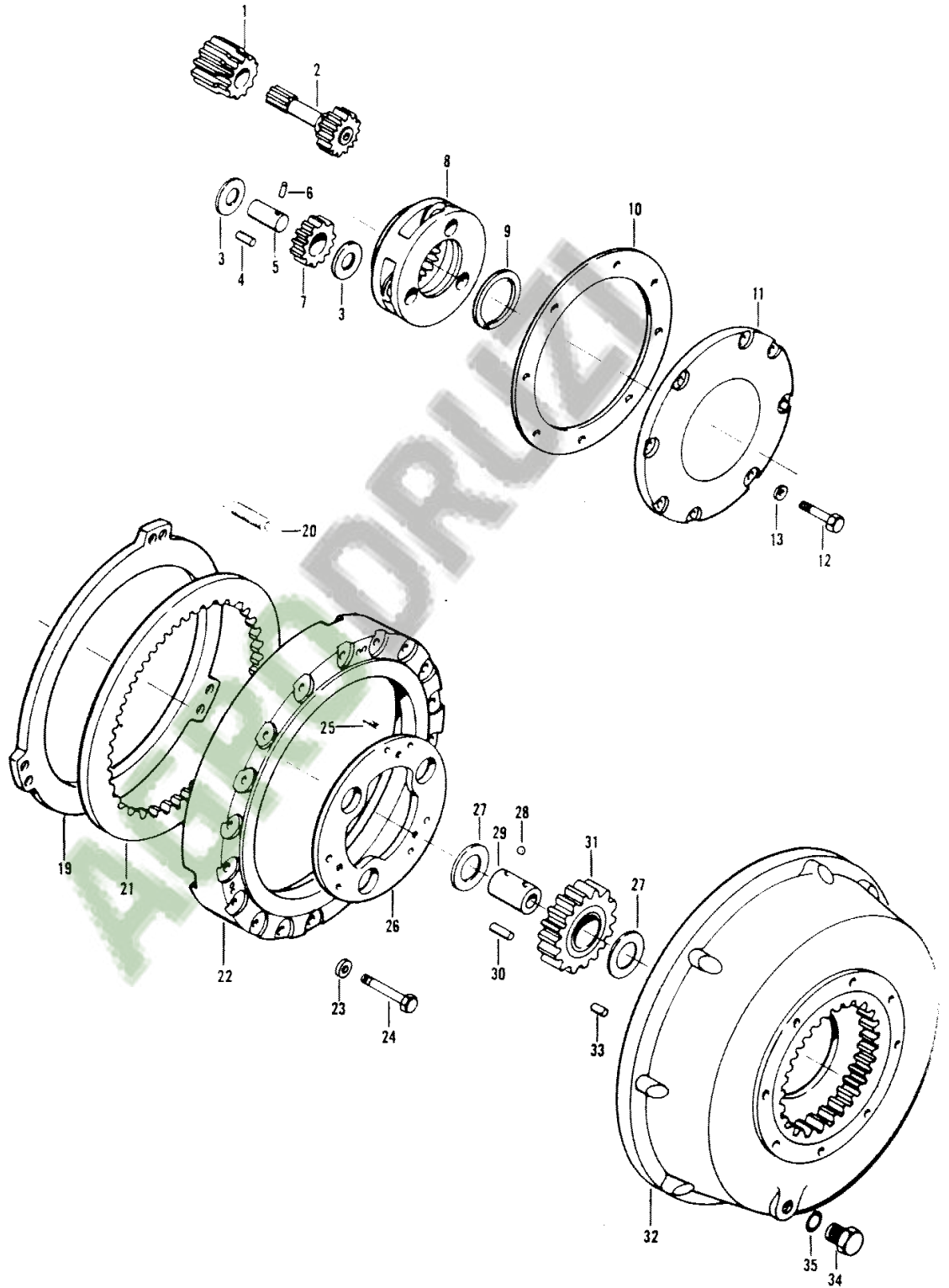


79-16

651 331 M95 (Issue 1) 2/79

REAR WHEEL DRIVE

311P  
1696019595



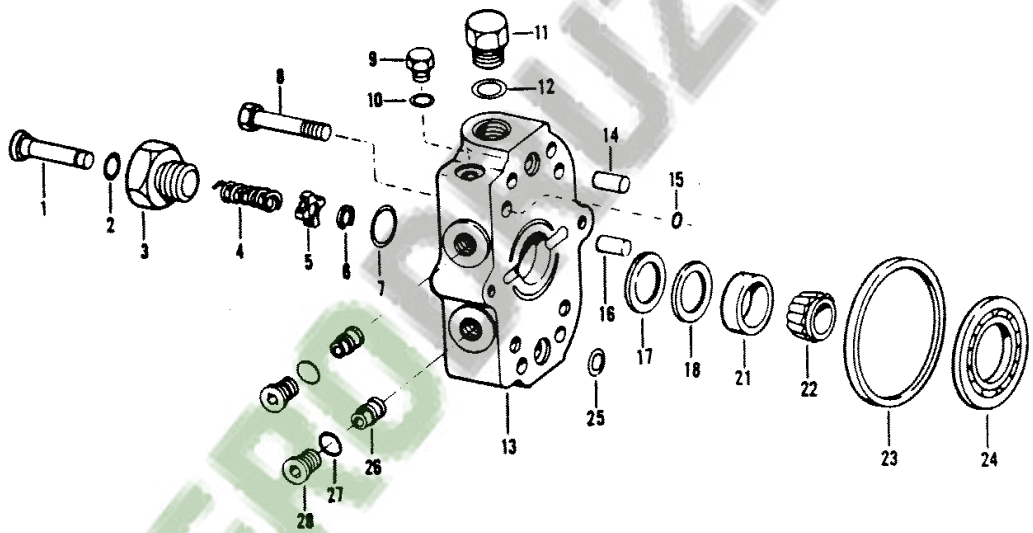
79-16

651 331 M95 (Issue 1) 2/78

311Q

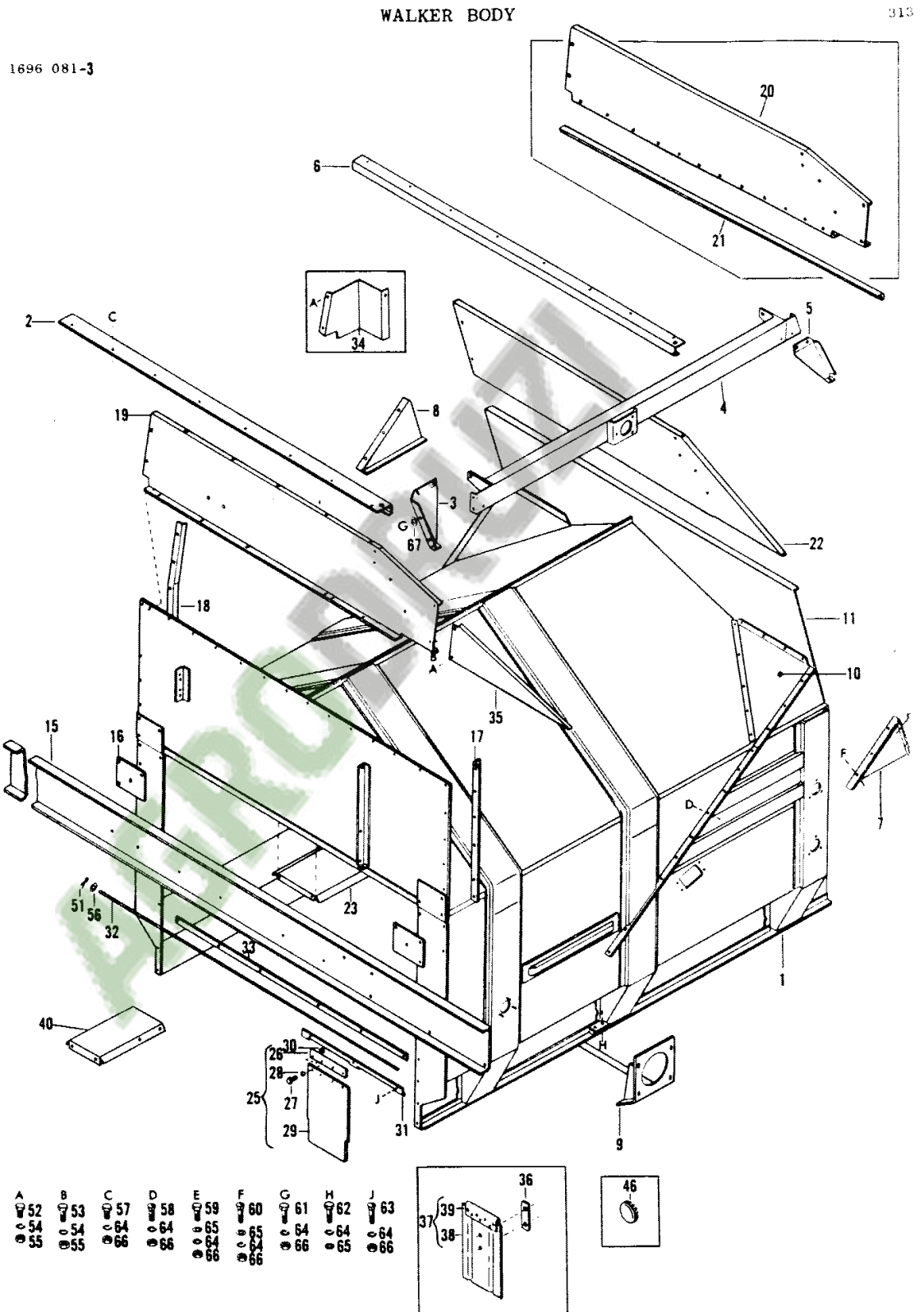
REAR WHEEL DRIVE

1696 398



79-16

651 331 M95 (Issue 1) 2/79



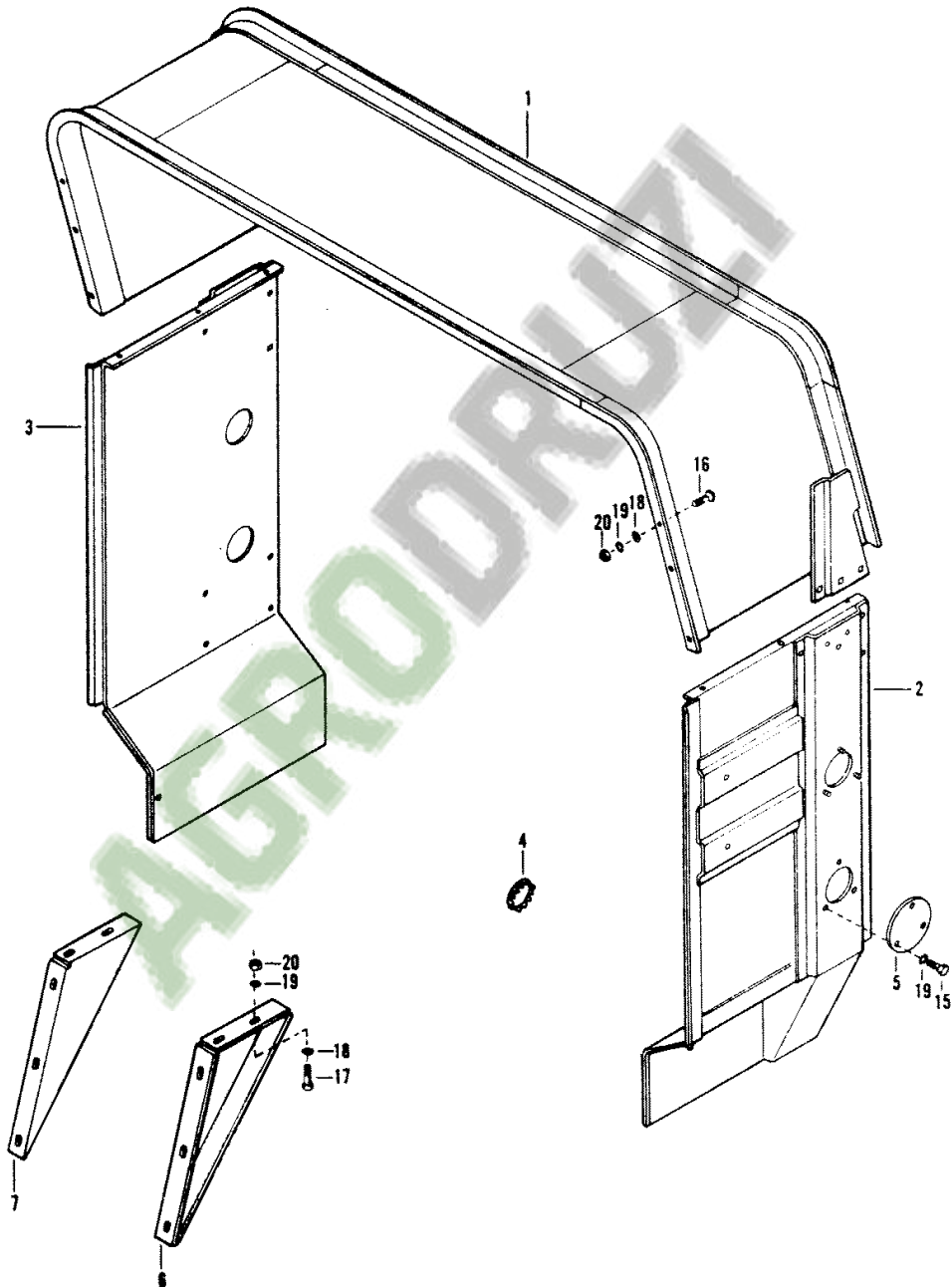
1st Print

651 331 M95 (Issue 1) 127

314

WALKER BODY EXTENSION

1696 273



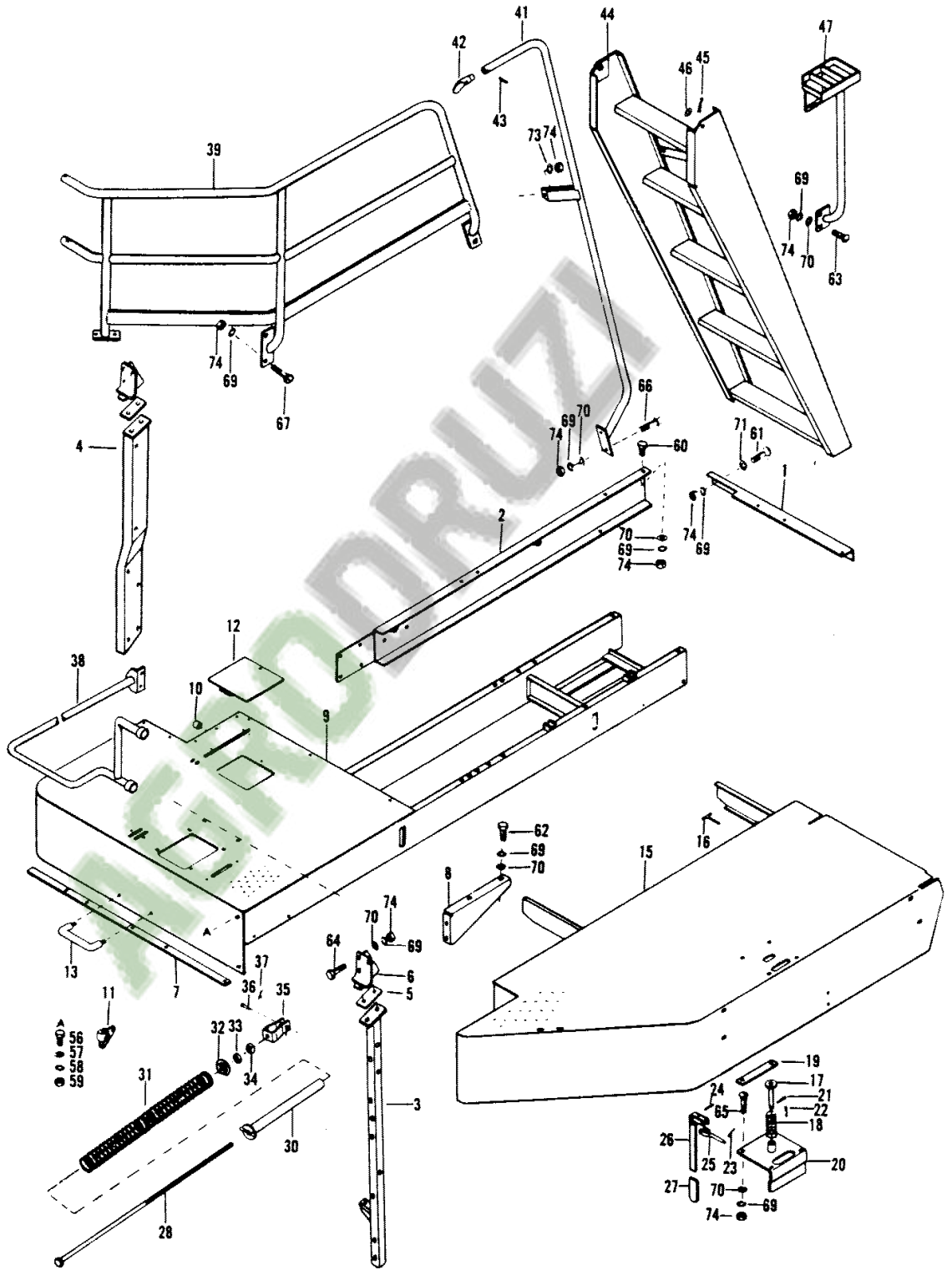
1st Print

651 331 M95 (Issue 1) 12/77

1696 399

OPERATOR'S PLATFORM AND LADDER

315B

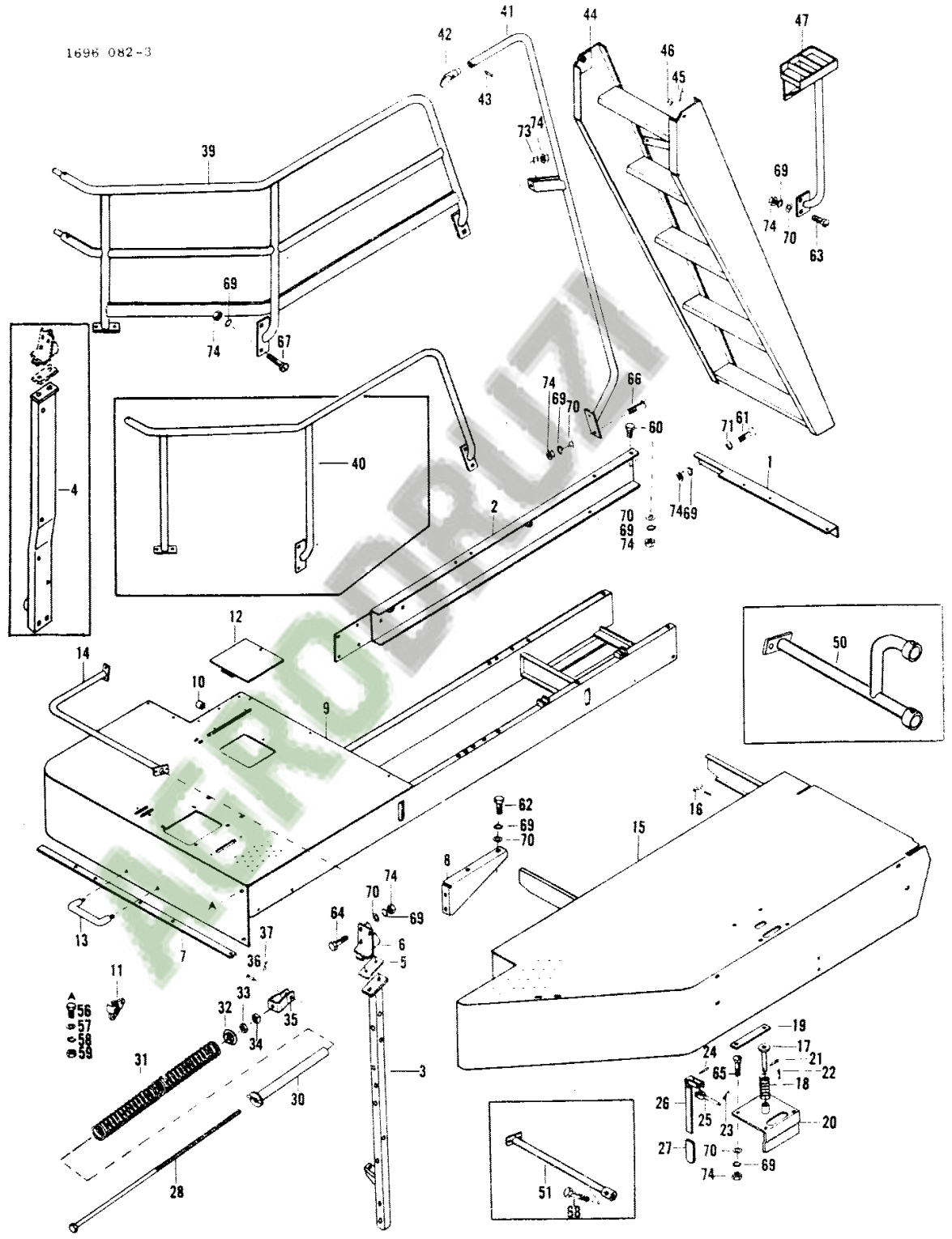


79-16

651 331 M95 (Issue 1) 2/79

OPERATOR'S PLATFORM AND LADDER

317



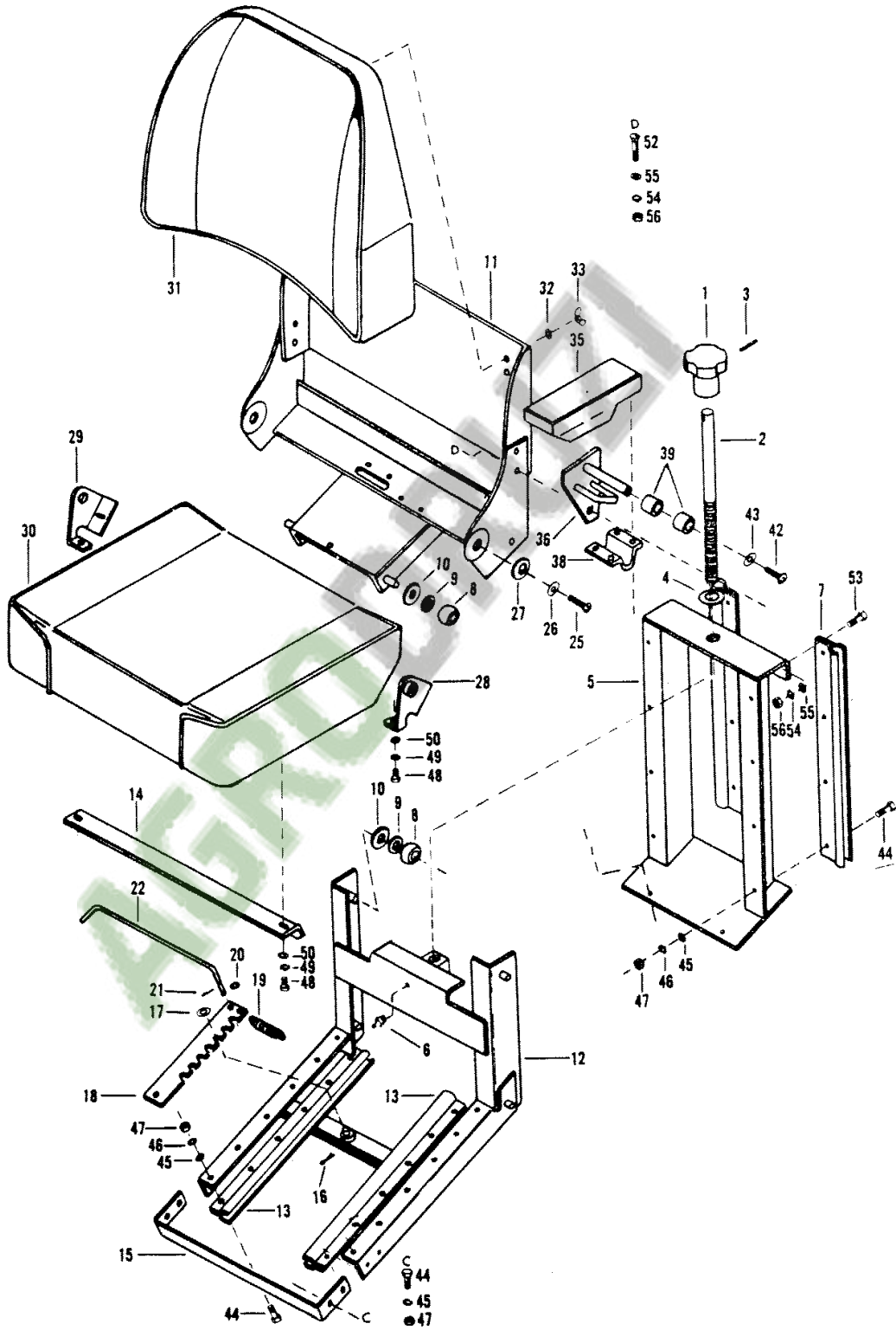
80-1

651 331 095 (Issue 2) 11/79

318

SEAT

1696 307



1st Print

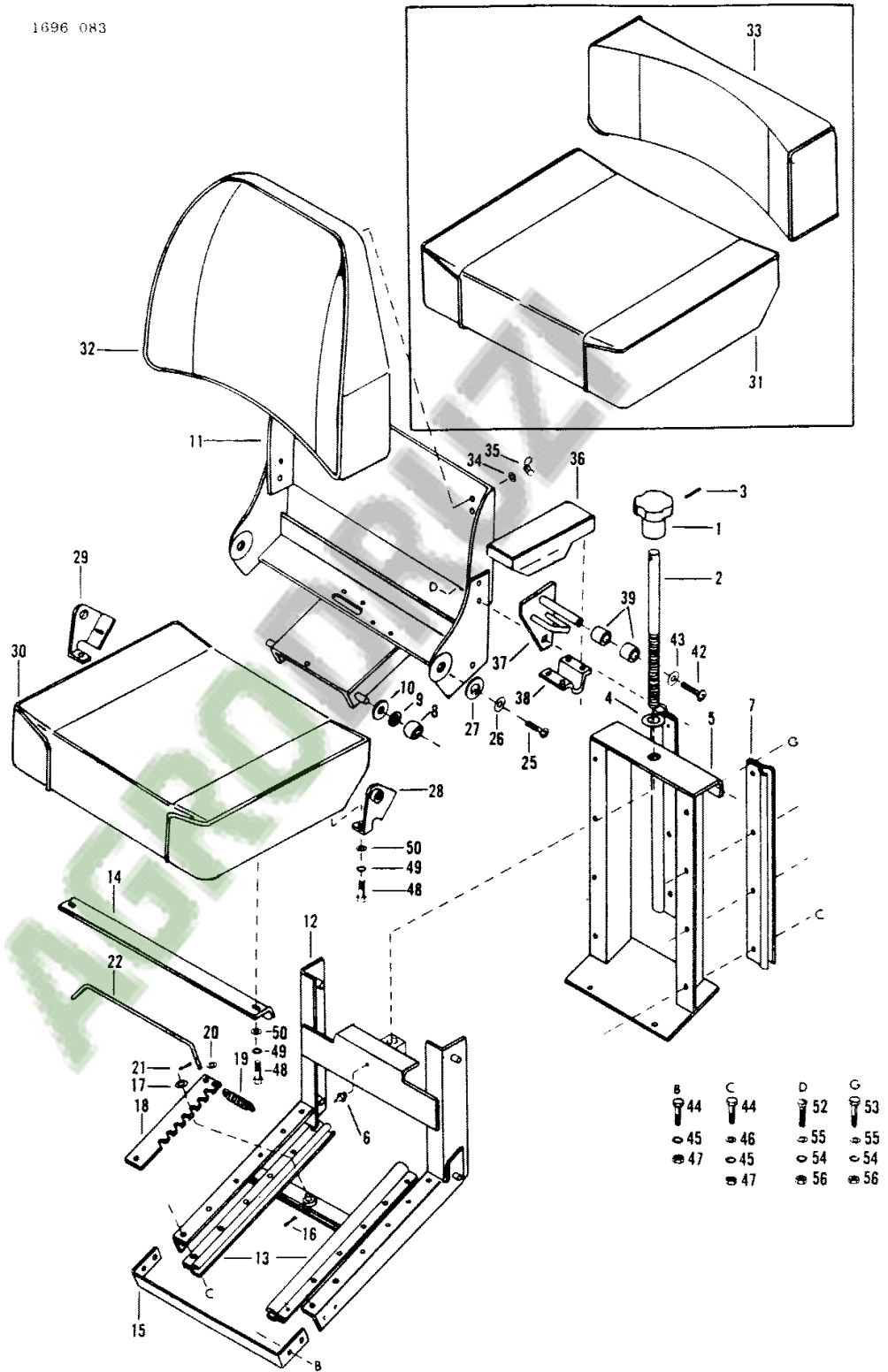
651 331 M95 (Issue 1) 12/77



SEAT

321

1696 083



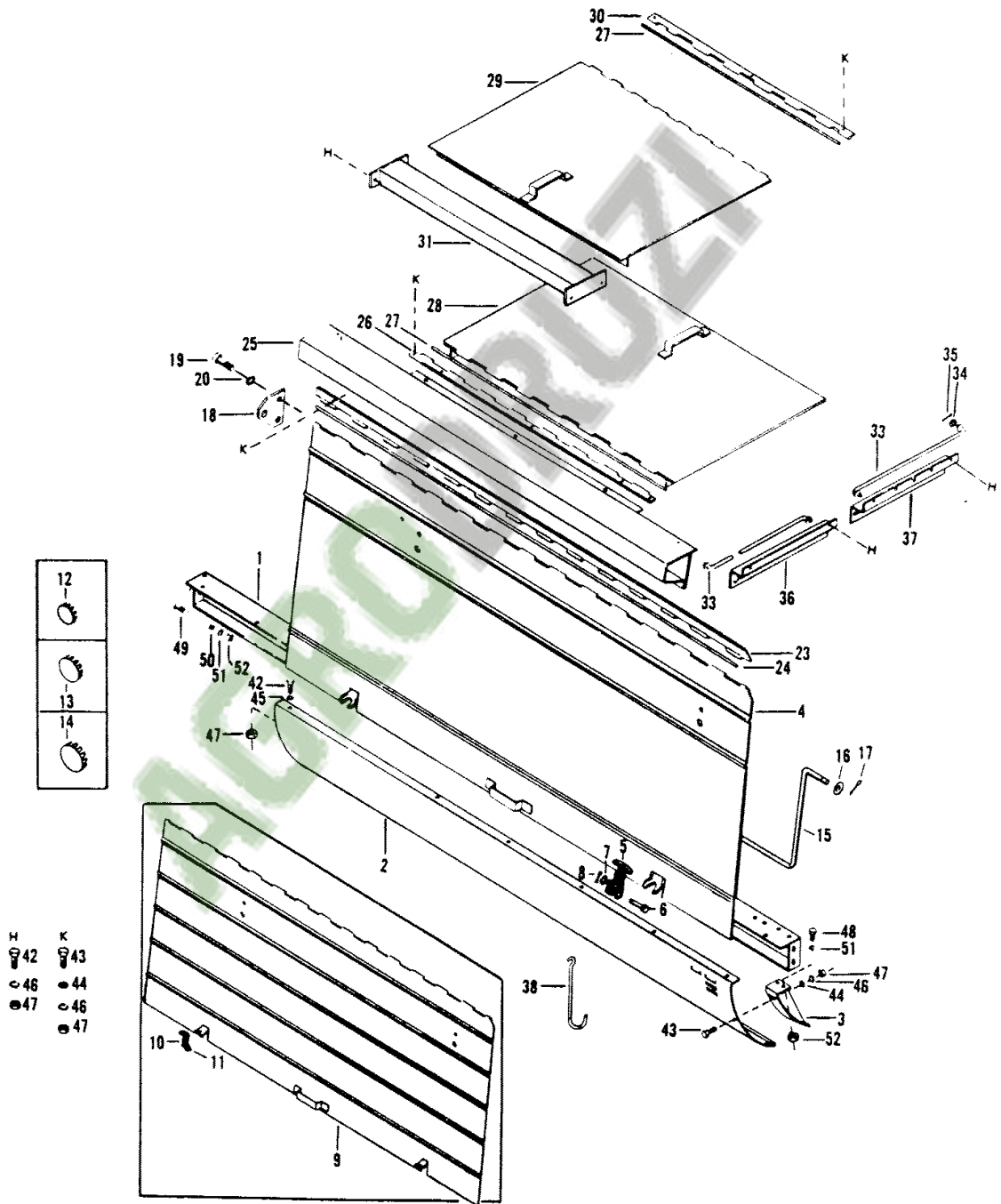
1st Print

651 331 M95 (Issue 1) 12/77

322

ENGINE COVER

1696 308 -1

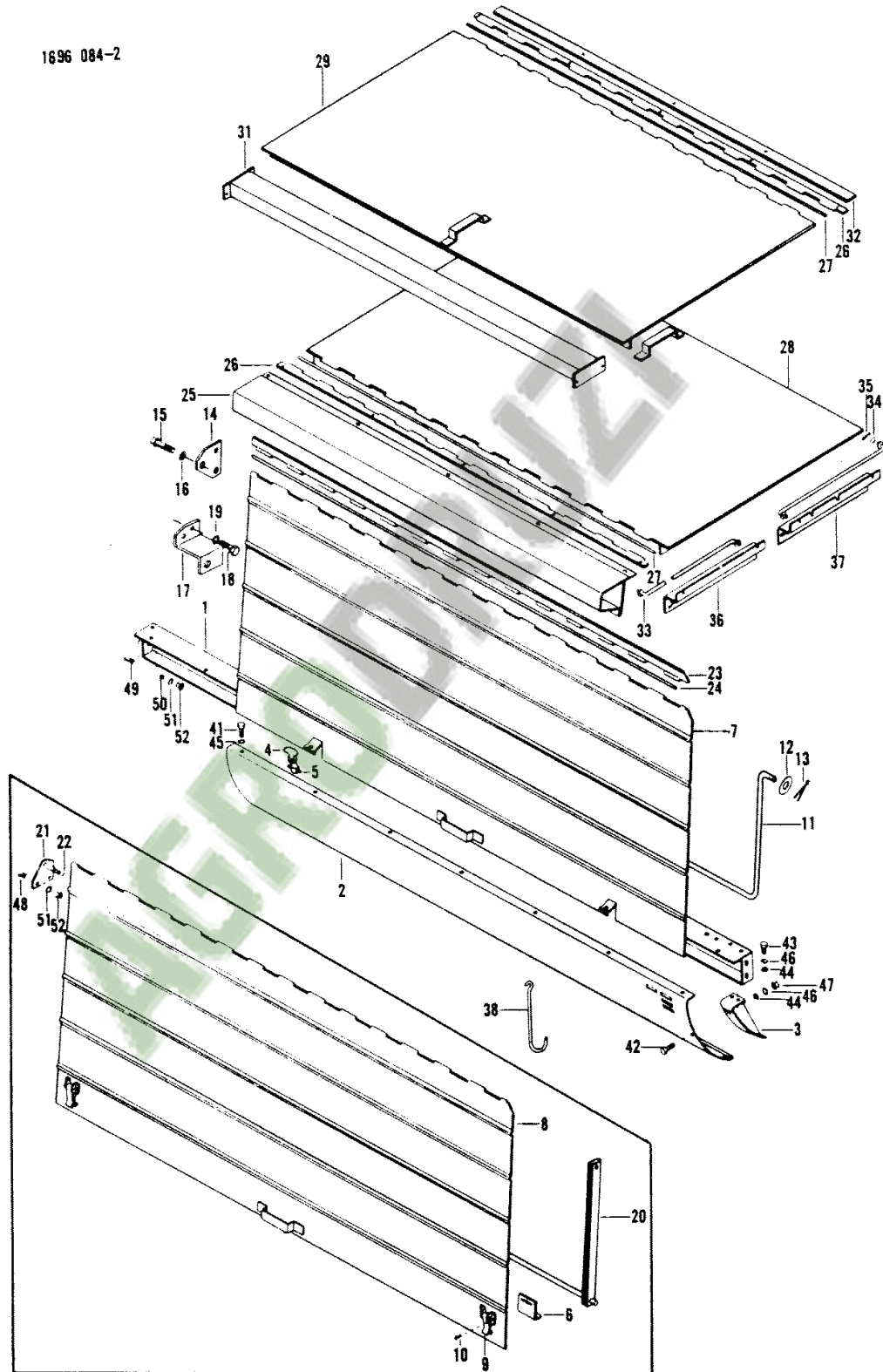


78-65

651 331 M95 (Issue 2) 8/78

ENGINE COVER

1696 084-2



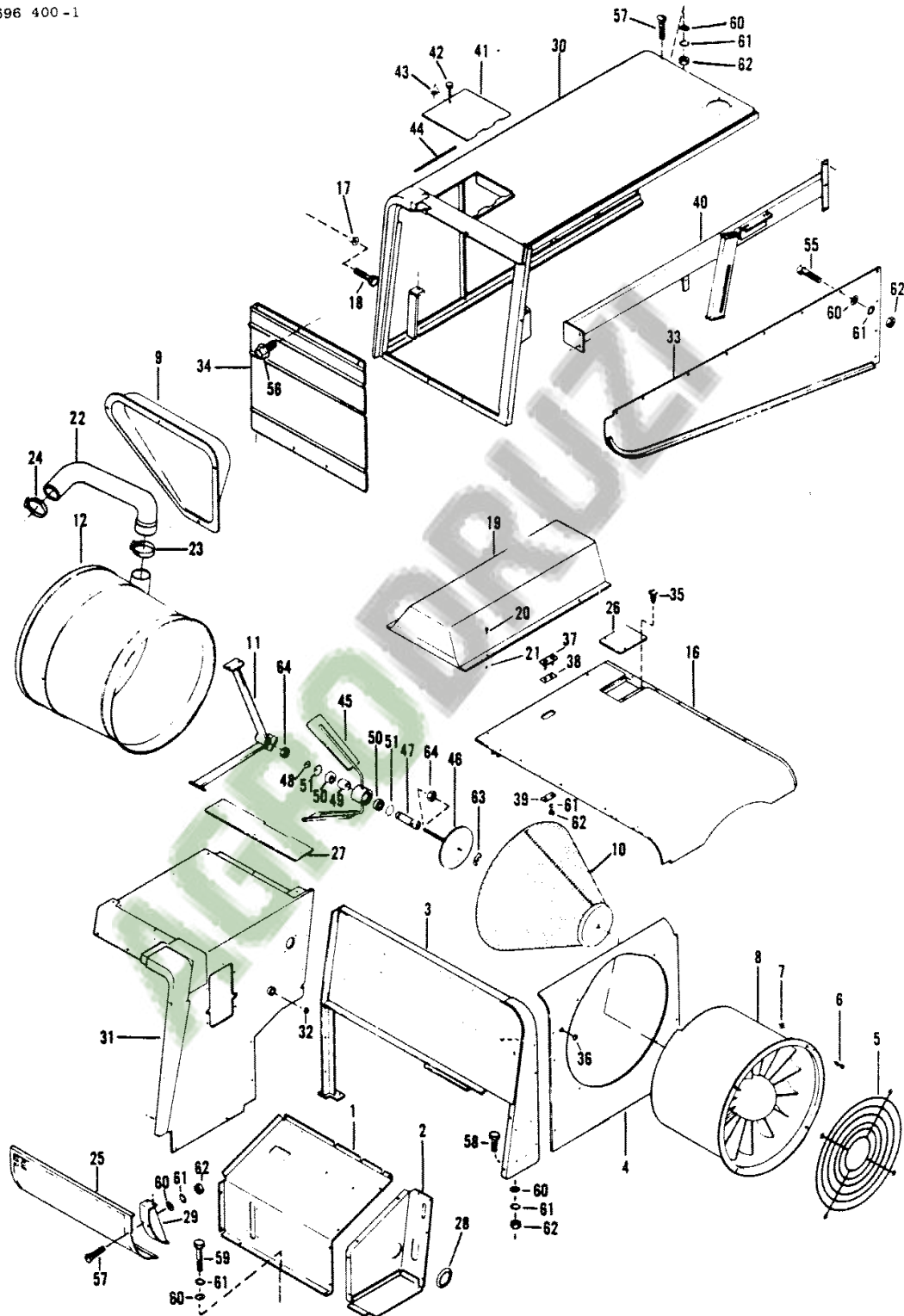
1st Print

651 331 M05 (Issue 1) 12/77

325A

ENGINE COVER EXTENSION AND CYCLONE AIR INTAKE

1696 400-1

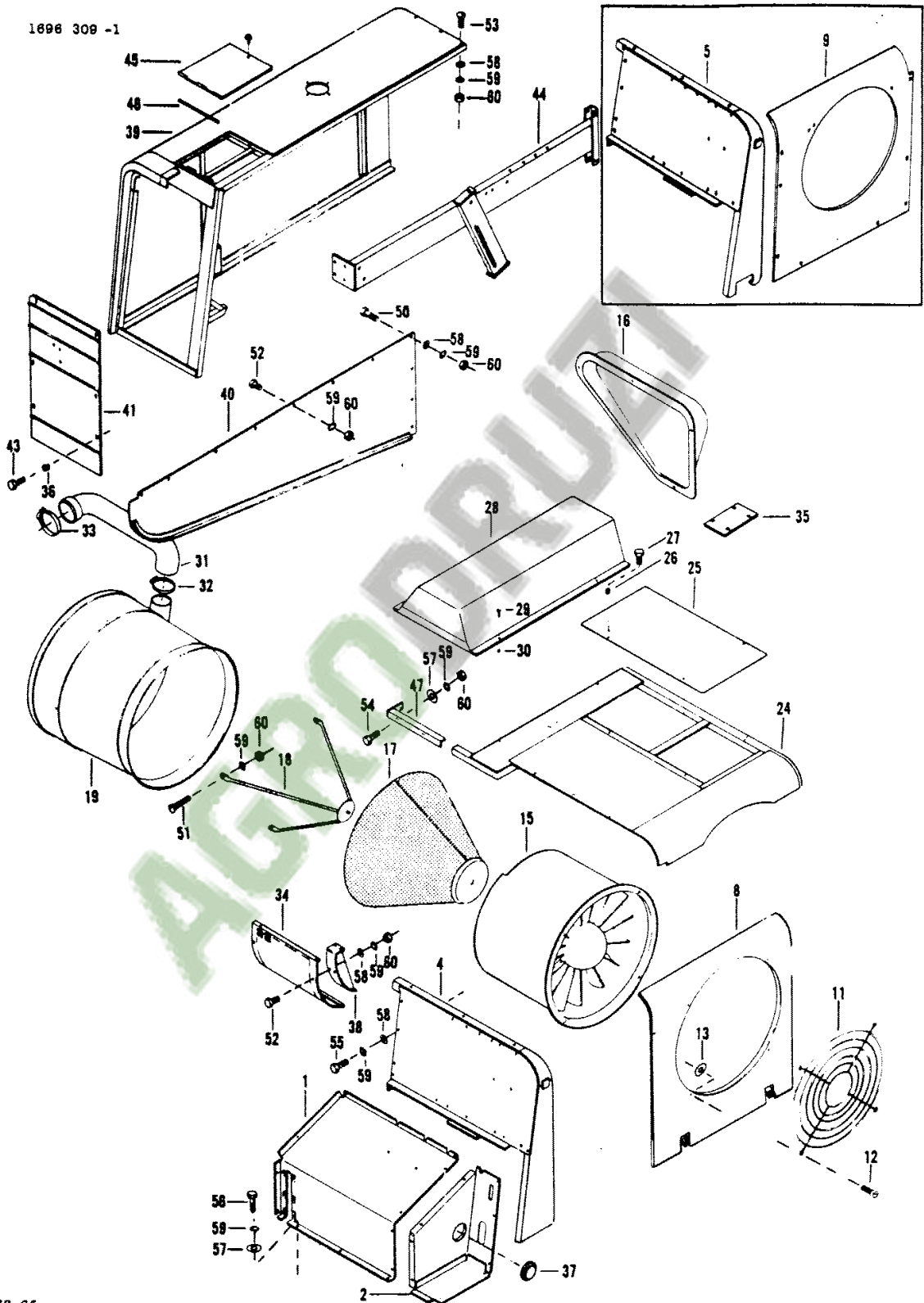


79-45

651 331 M95 (Issue 2) 5/79

326

ENGINE COVER EXTENSIONS AND CYCLONE AIR INTAKE

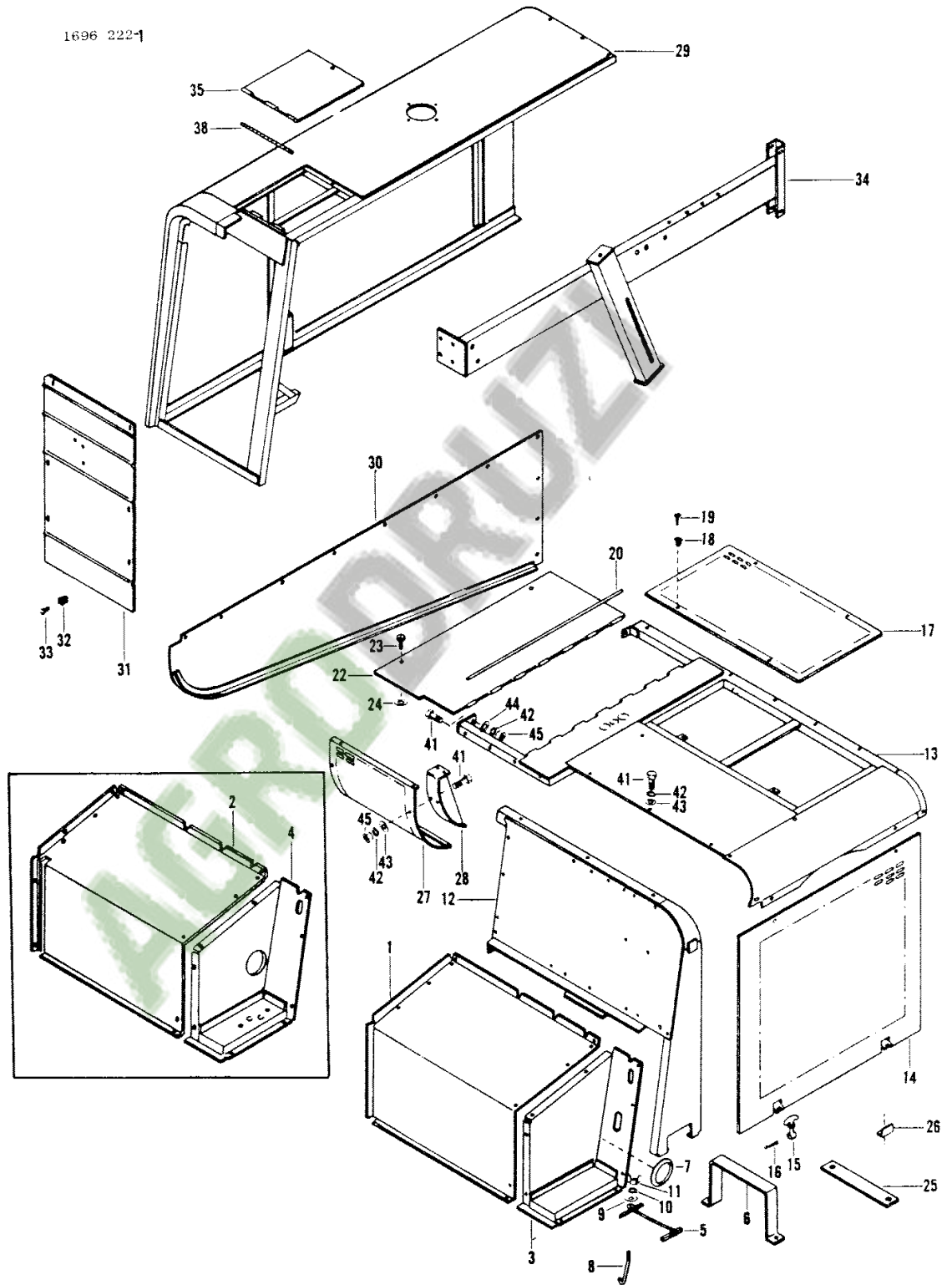


78-85

651 331 M95 (Issue 2) 8/78

ENGINE COVER EXTENSION

329



1696 222-1

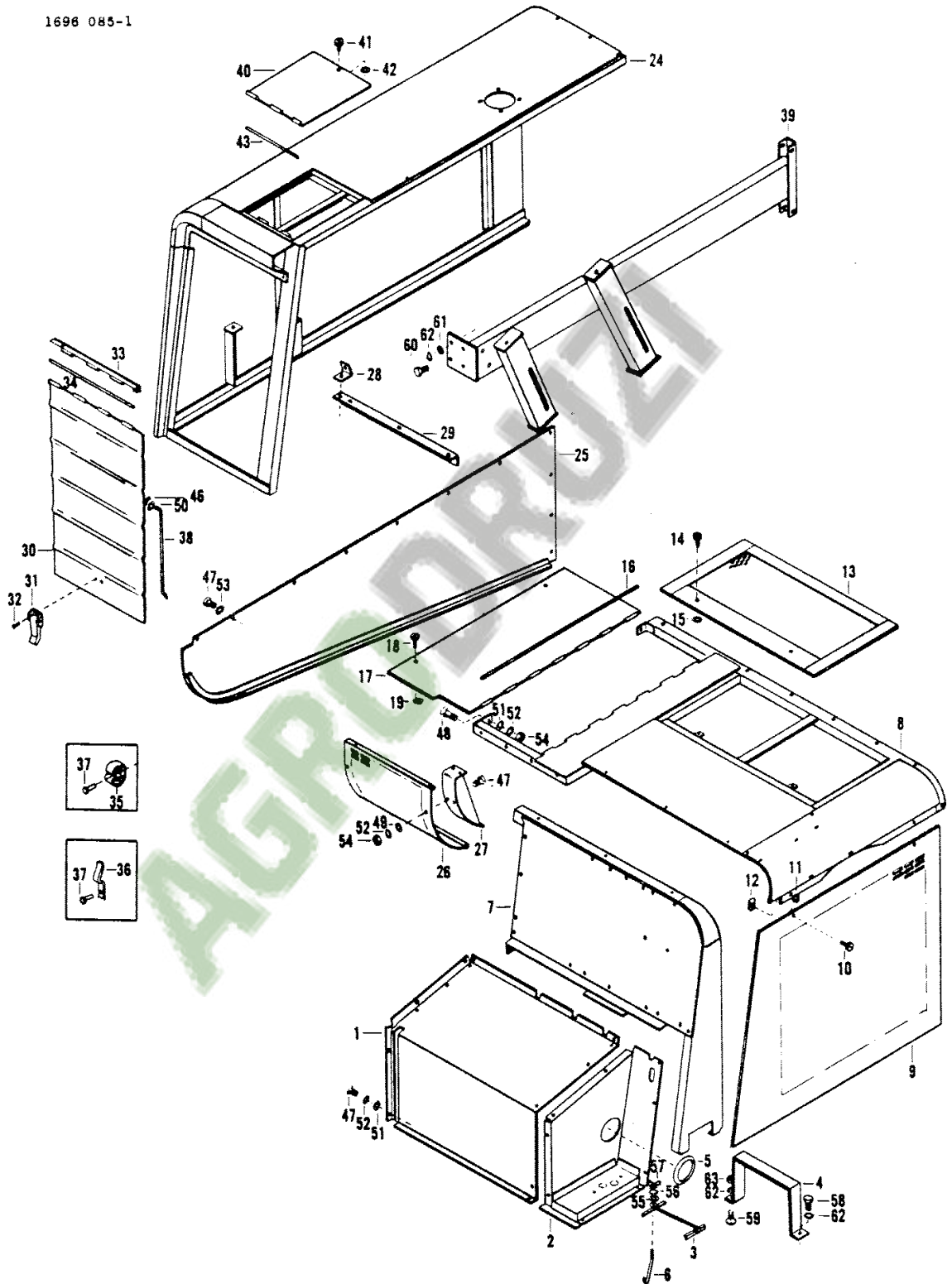
1st Print

651 331 M95 (Issue 1) 12/...

330

ENGINE COVER EXTENSION

1696 085-1



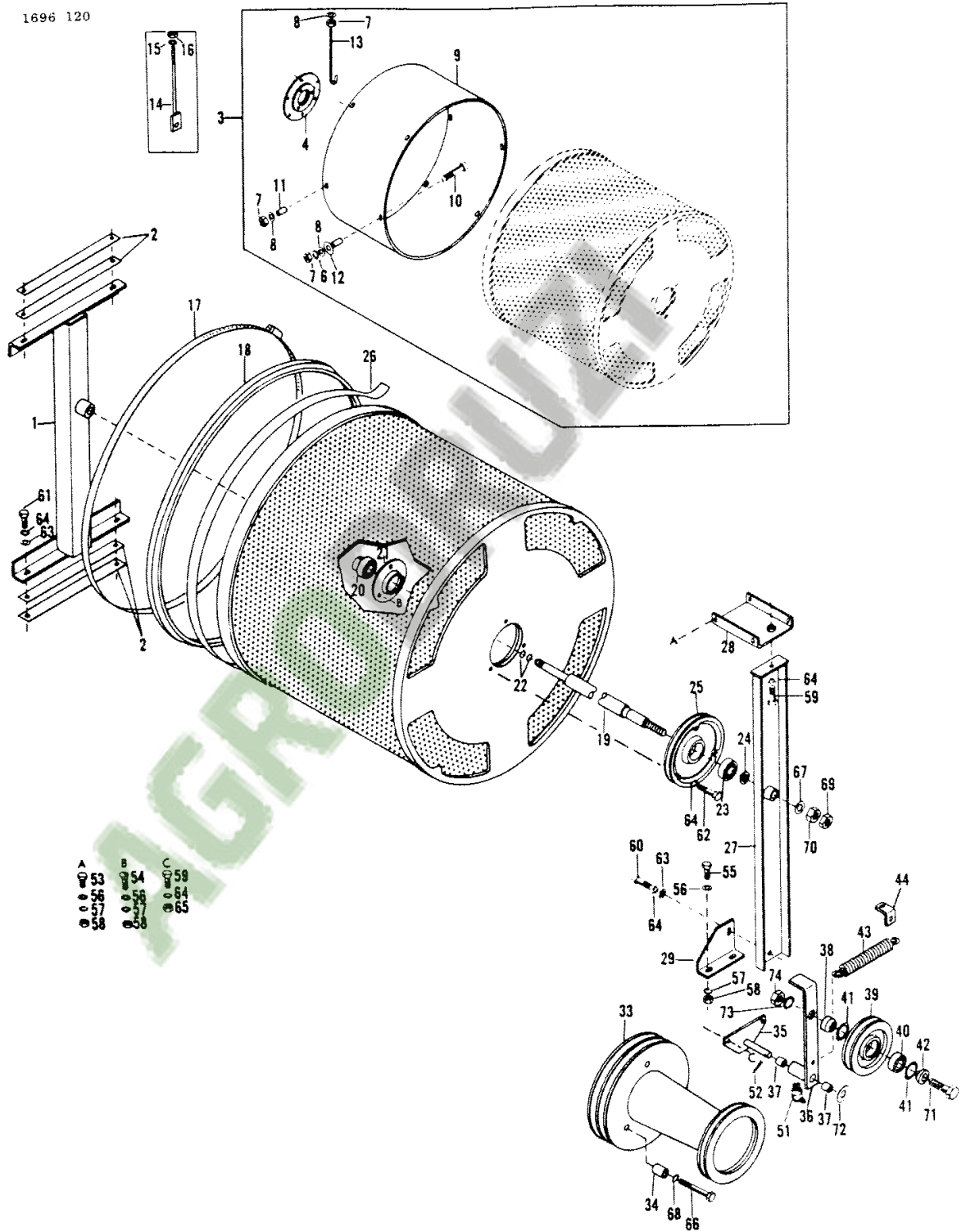
1st Print

651 331 M95 (Issue 1) 12/77

AIR INTAKE

333

1696 120



1st Print

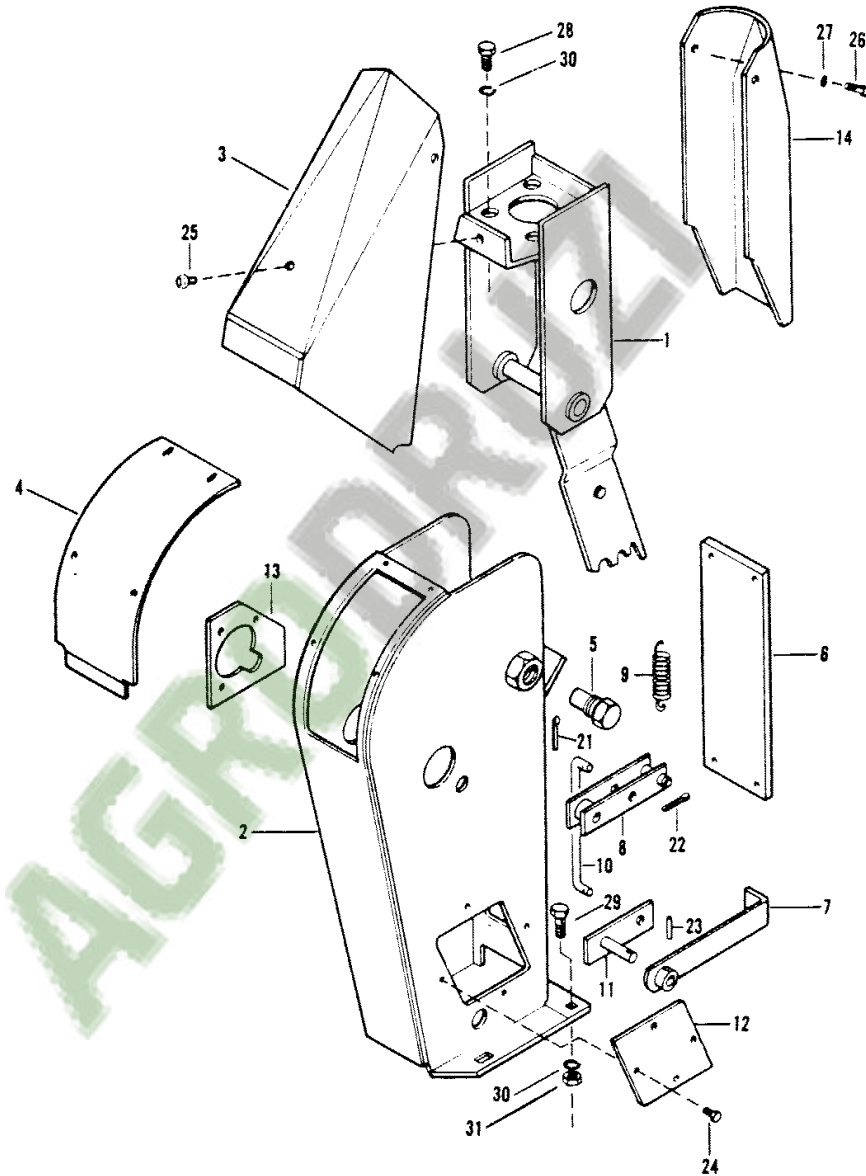
651 331 M95 (Issue 1) 12



333A

STEERING PEDESTAL

1696 401



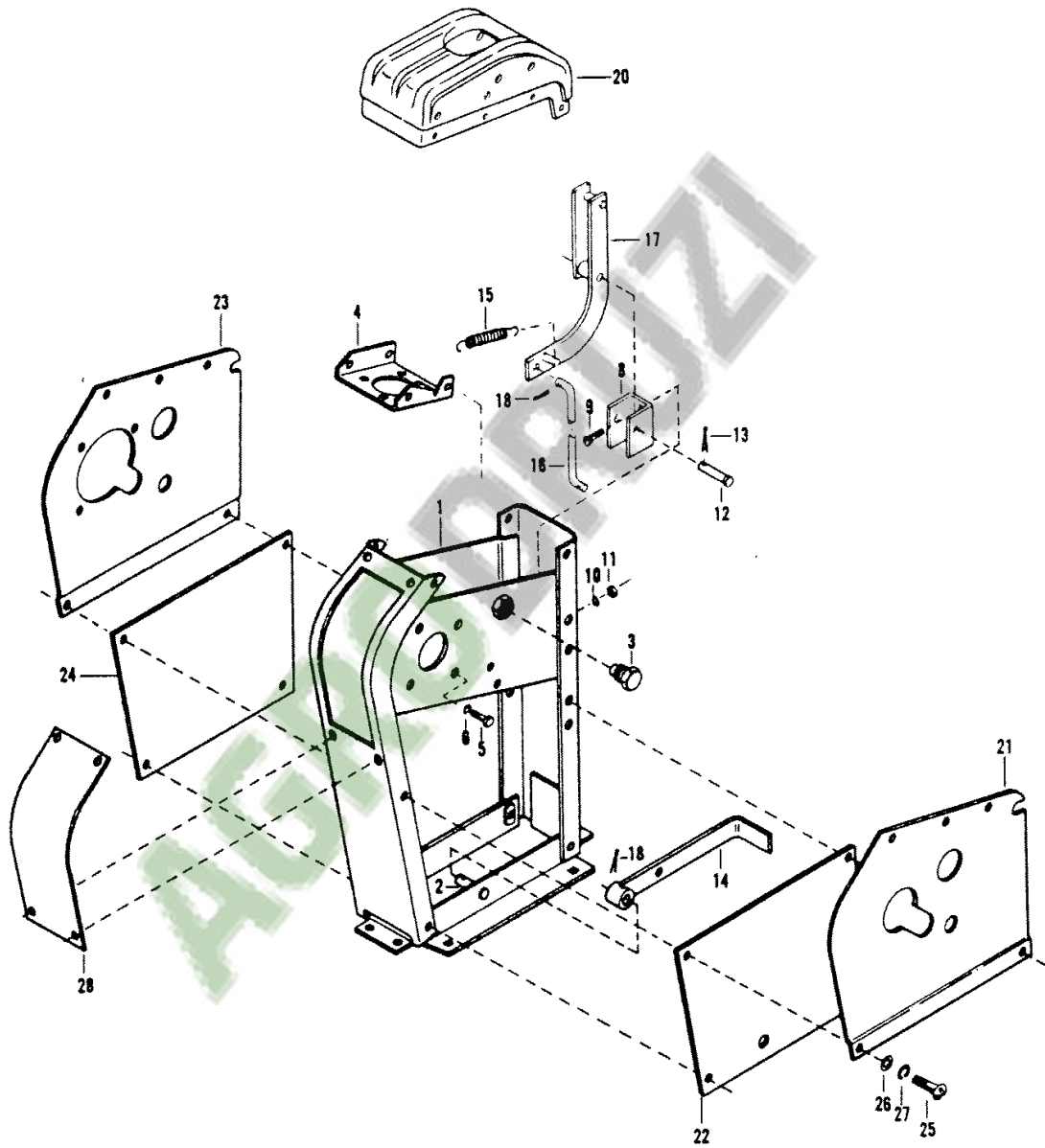
79-16

651 331 M95 (Issue 1) 2/79

334

STEERING PEDESTAL

1696 274



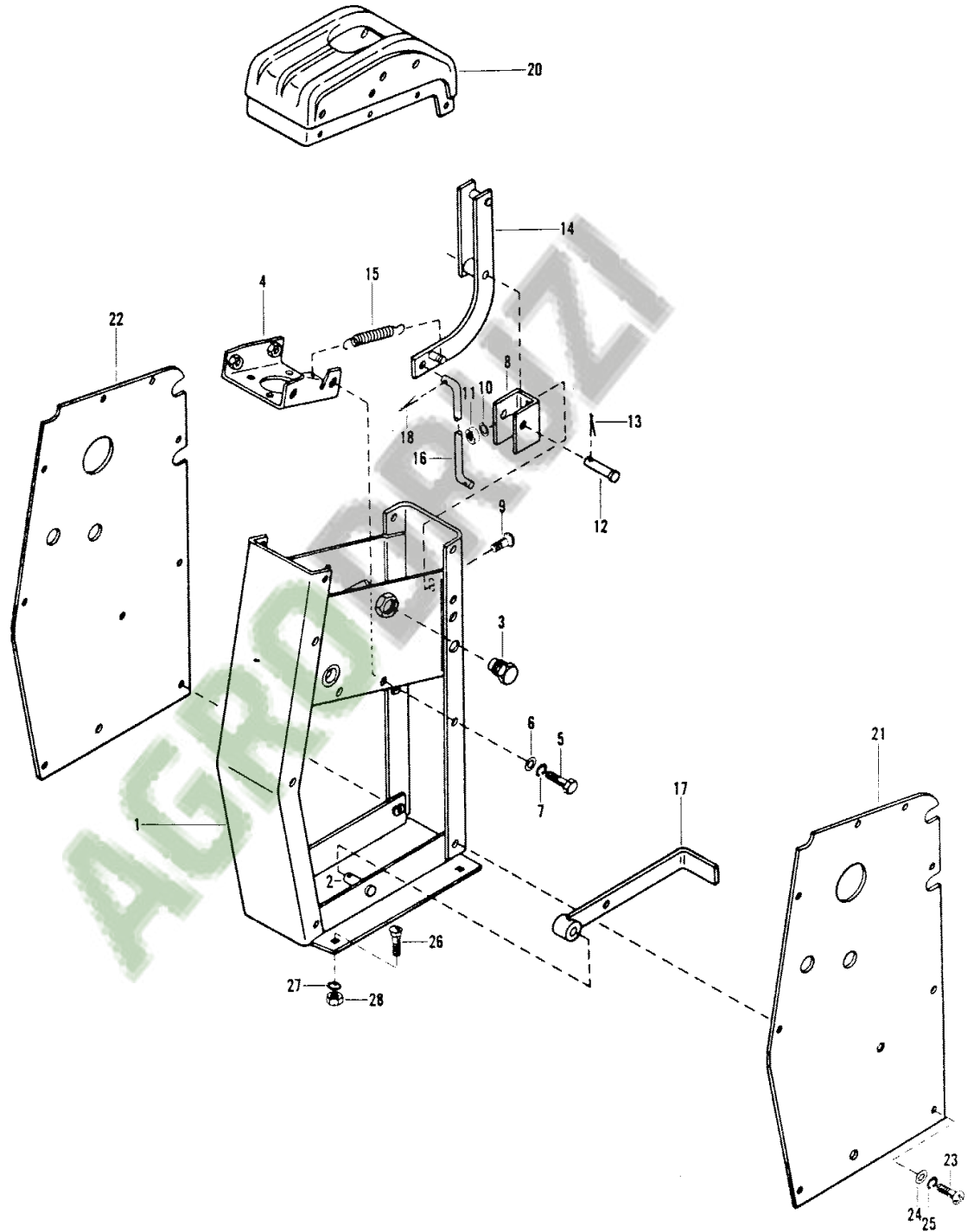
1st Print

651 331 M95 (Issue 1) 12/77

STEERING PEDESTAL

337

1696 086



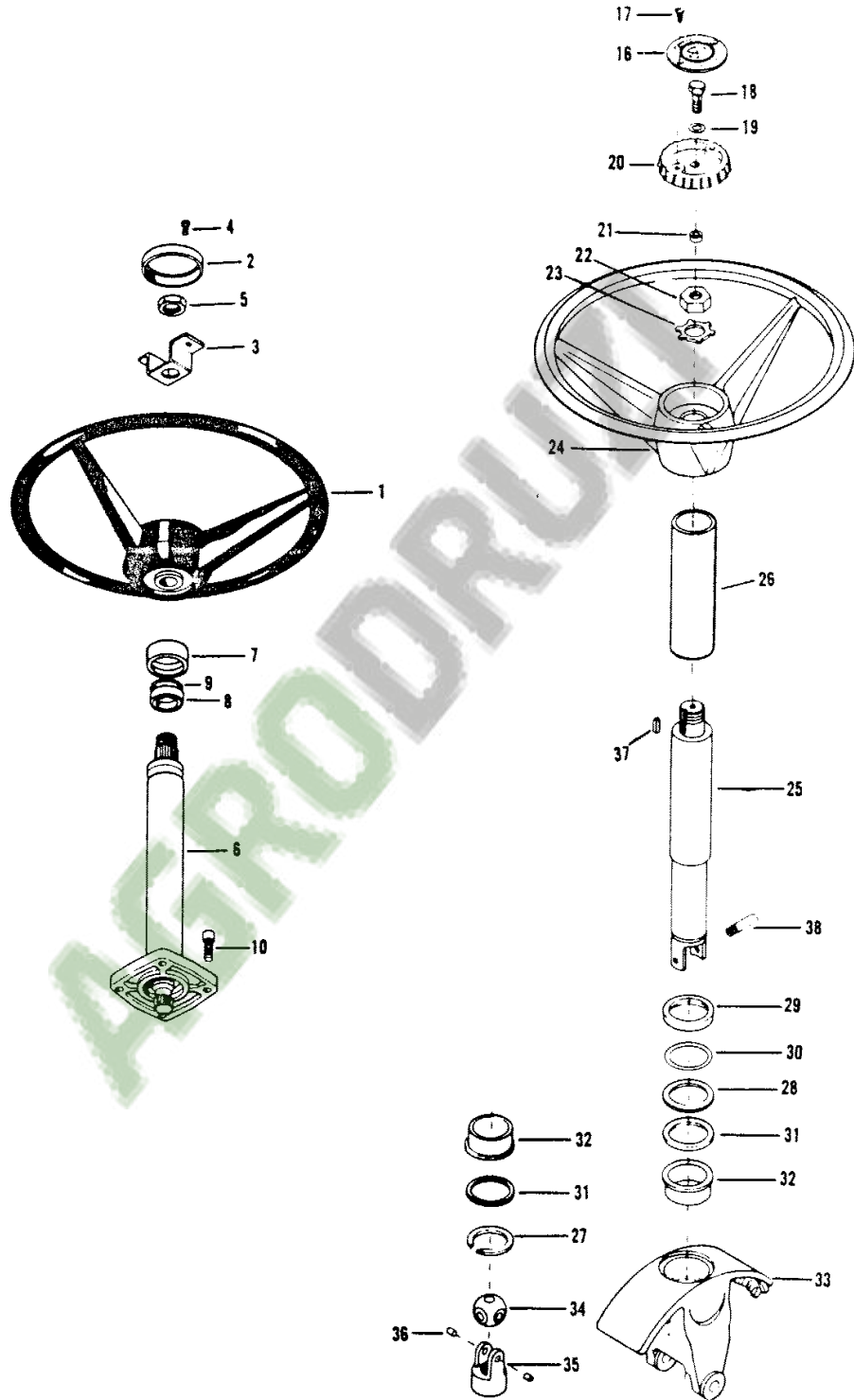
1st Print

651 331 M95 (Issue 1) 12/77

338

STEERING GEAR

1696 087-1



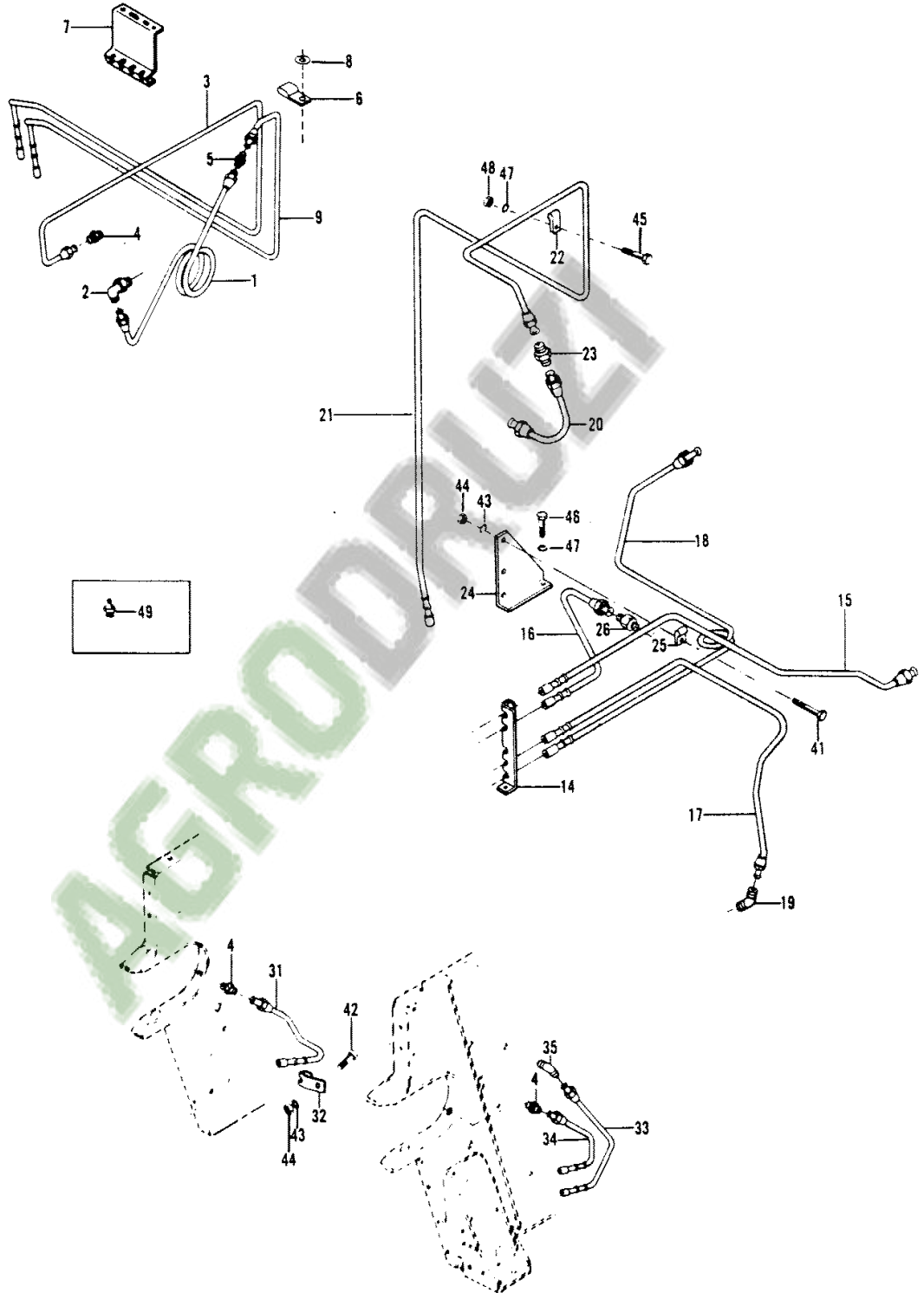
79-16

651 331 M95 (Issue 2) 2/79

GREASE HARNESS

339B

1696 402



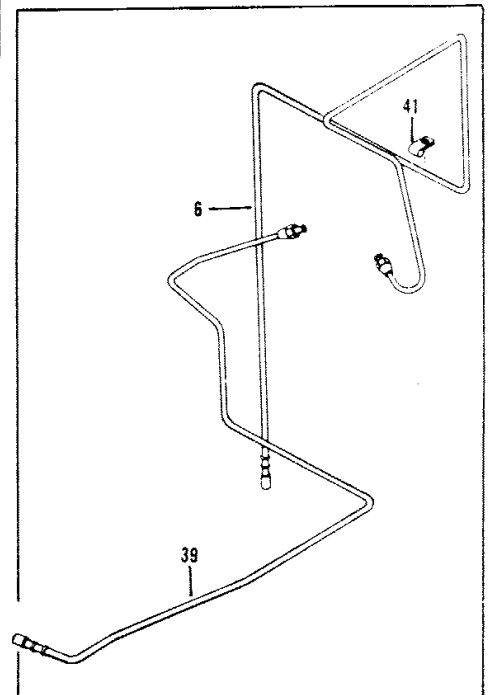
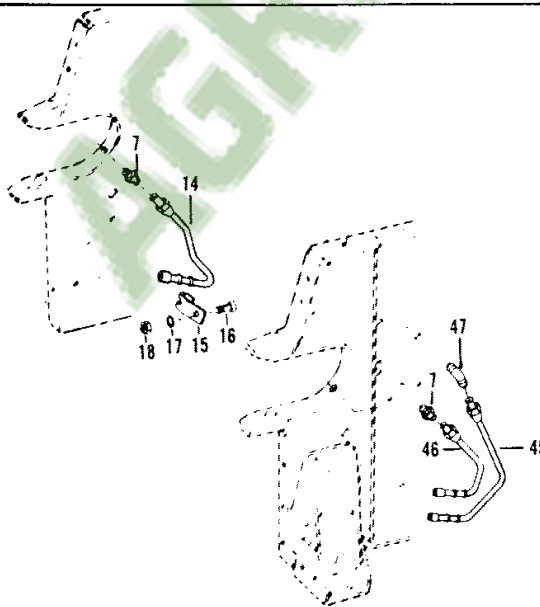
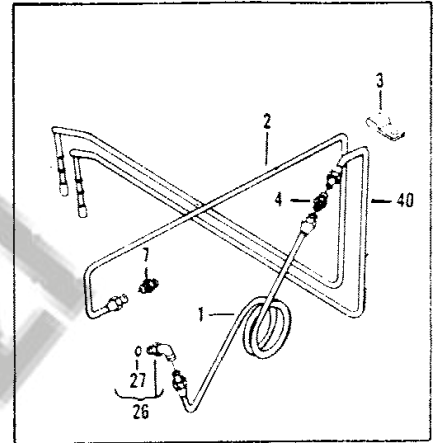
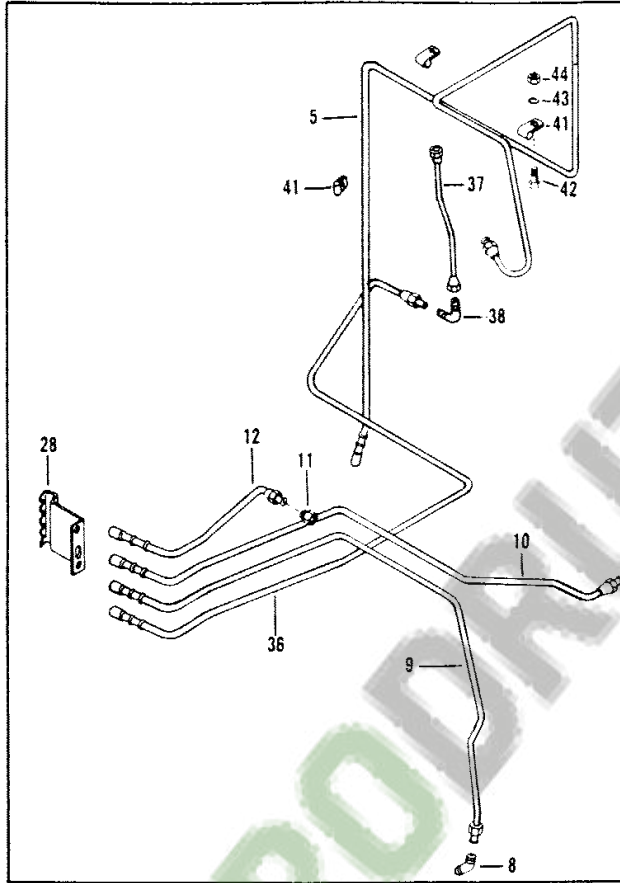
79-16

651 331 M95 (Issue 1) 2/73

GREASE HARNESS

341

1696 275-1



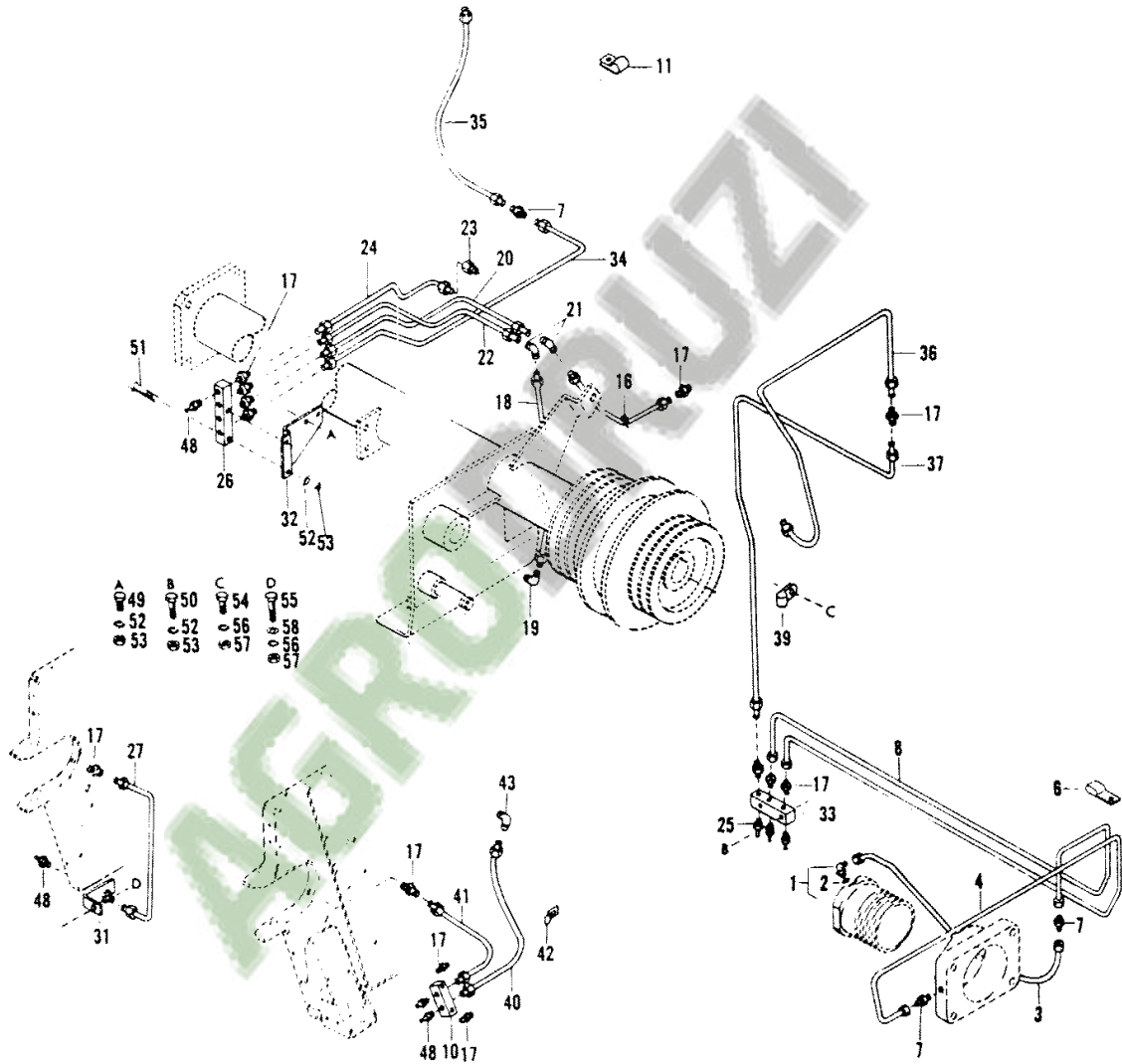
78-65

651 331 M95 (Issue 2) 8/78

342

GREASE HARNESS

1696 089-1



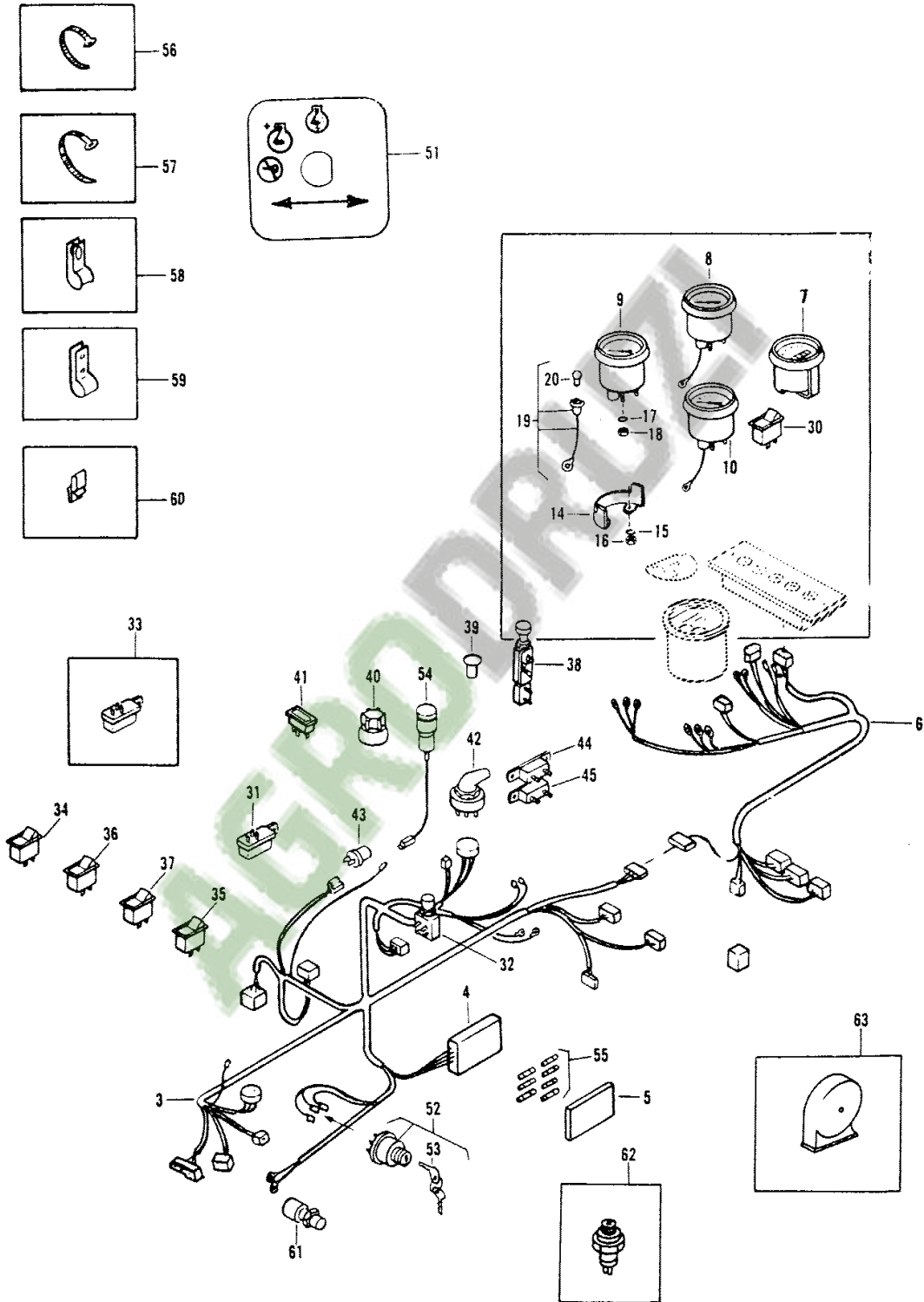
1st Print

651 331 M95 (Issue 1) 12/77

343C

331. SWITCHES - ALL SWITCHES

1696 1-03-2



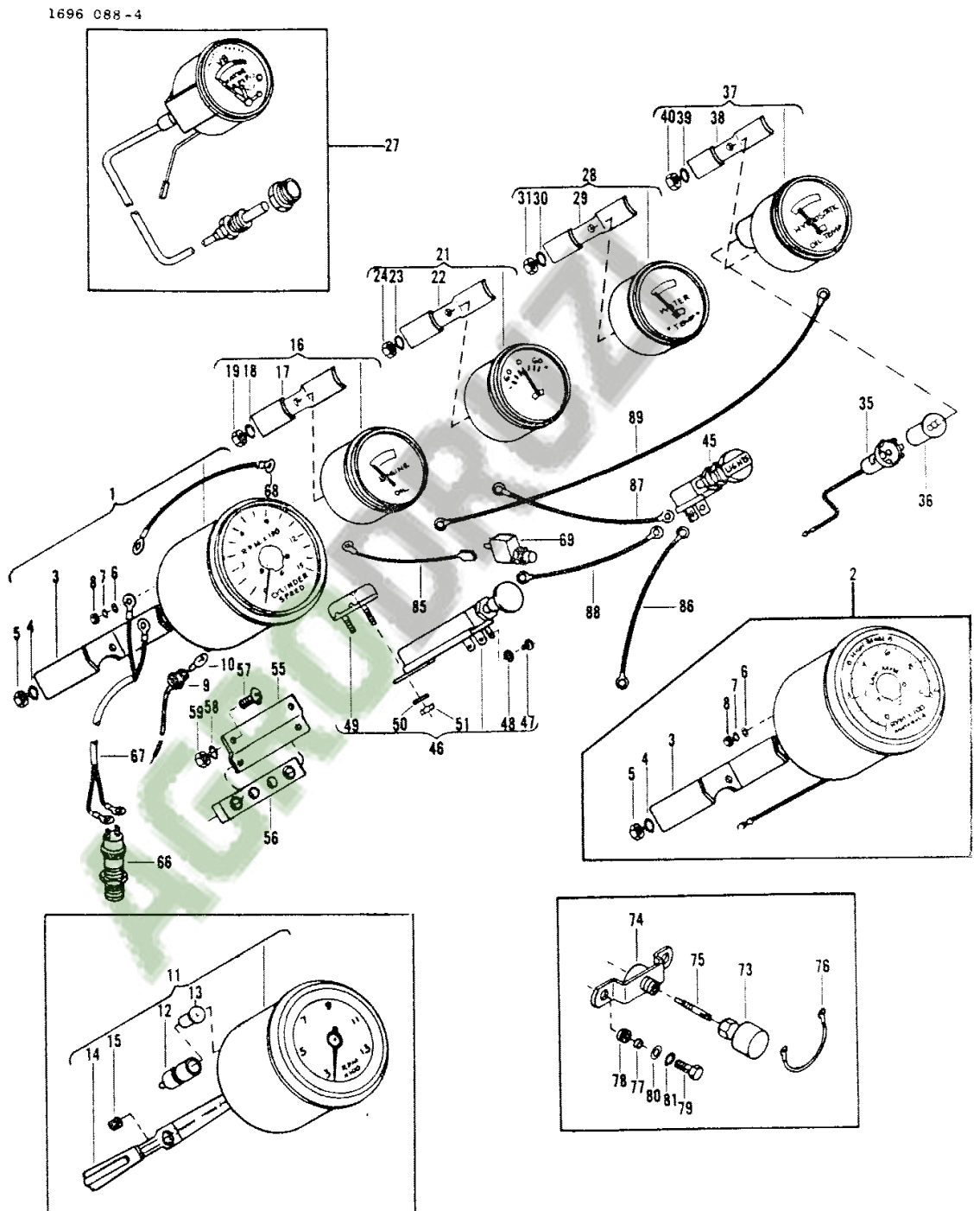
80-1

651 331 M95 (Issue 3) 11/79



INSTRUMENTS

345

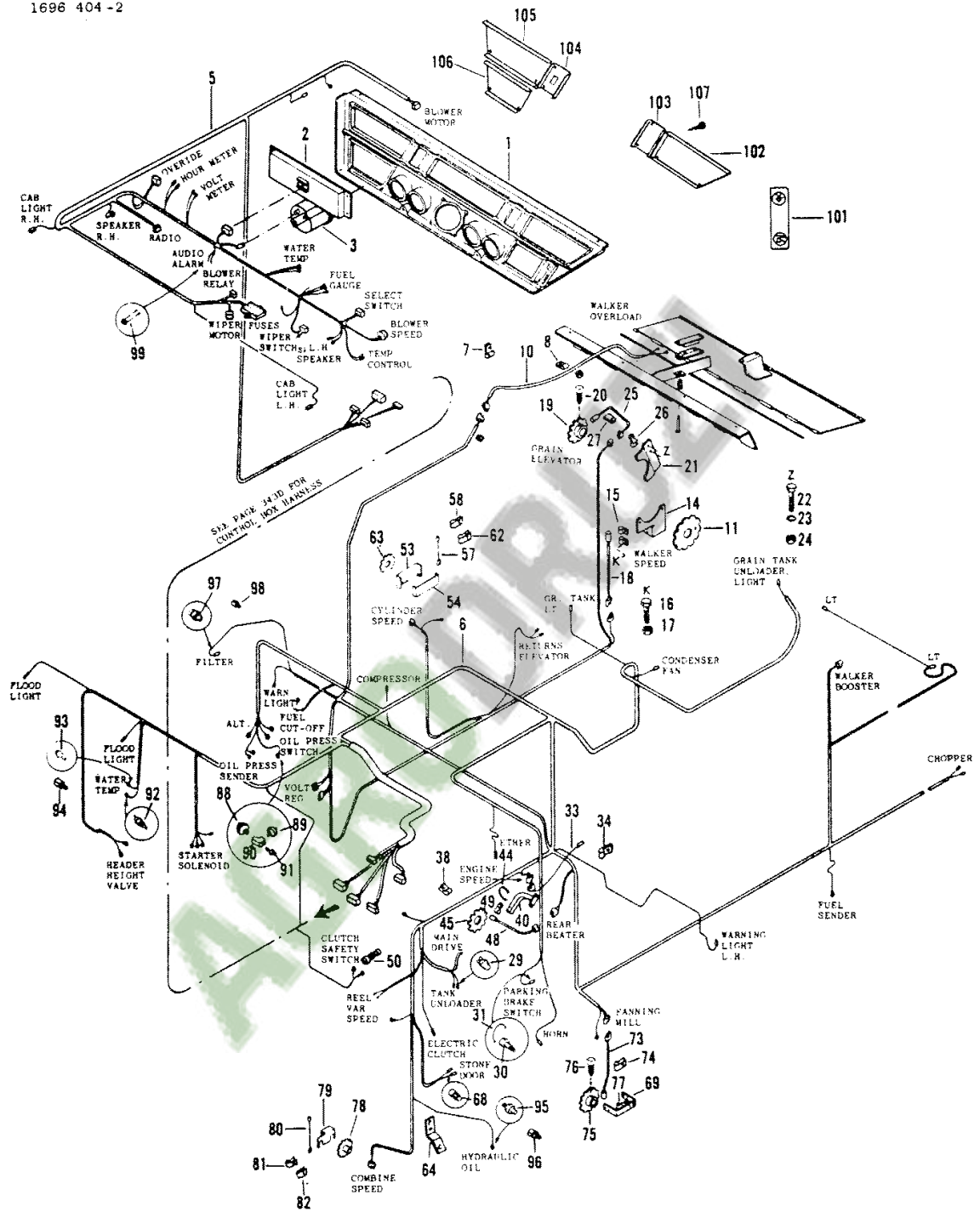


1st Print

651 331 M95 (Issue 1) 12/77

345A  
1696 404 -2

MONITOR SYSTEM



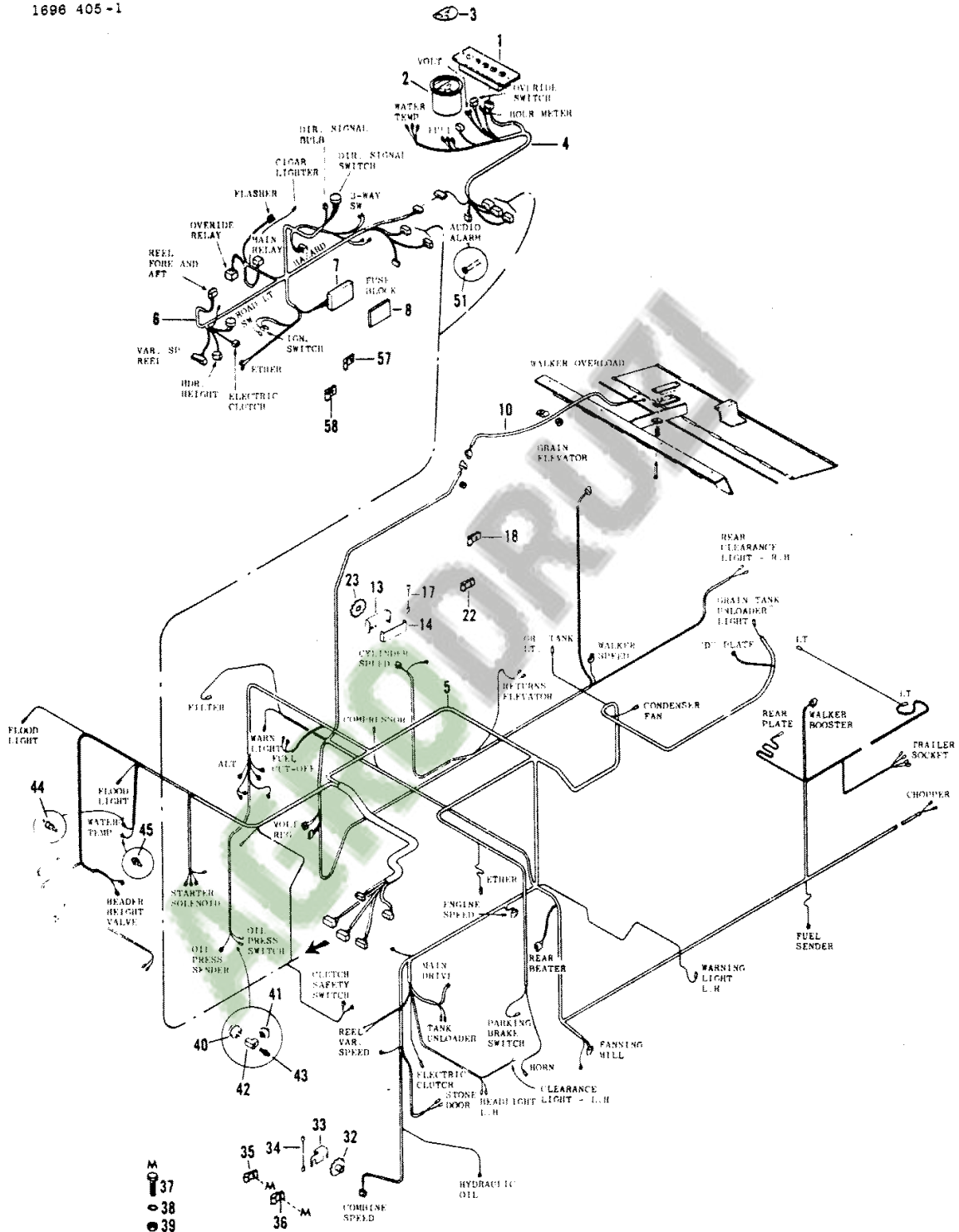
80-1

651 331 M95 (Issue 3) 11/79

345E

1696 405-1

MONITOR SYSTEM



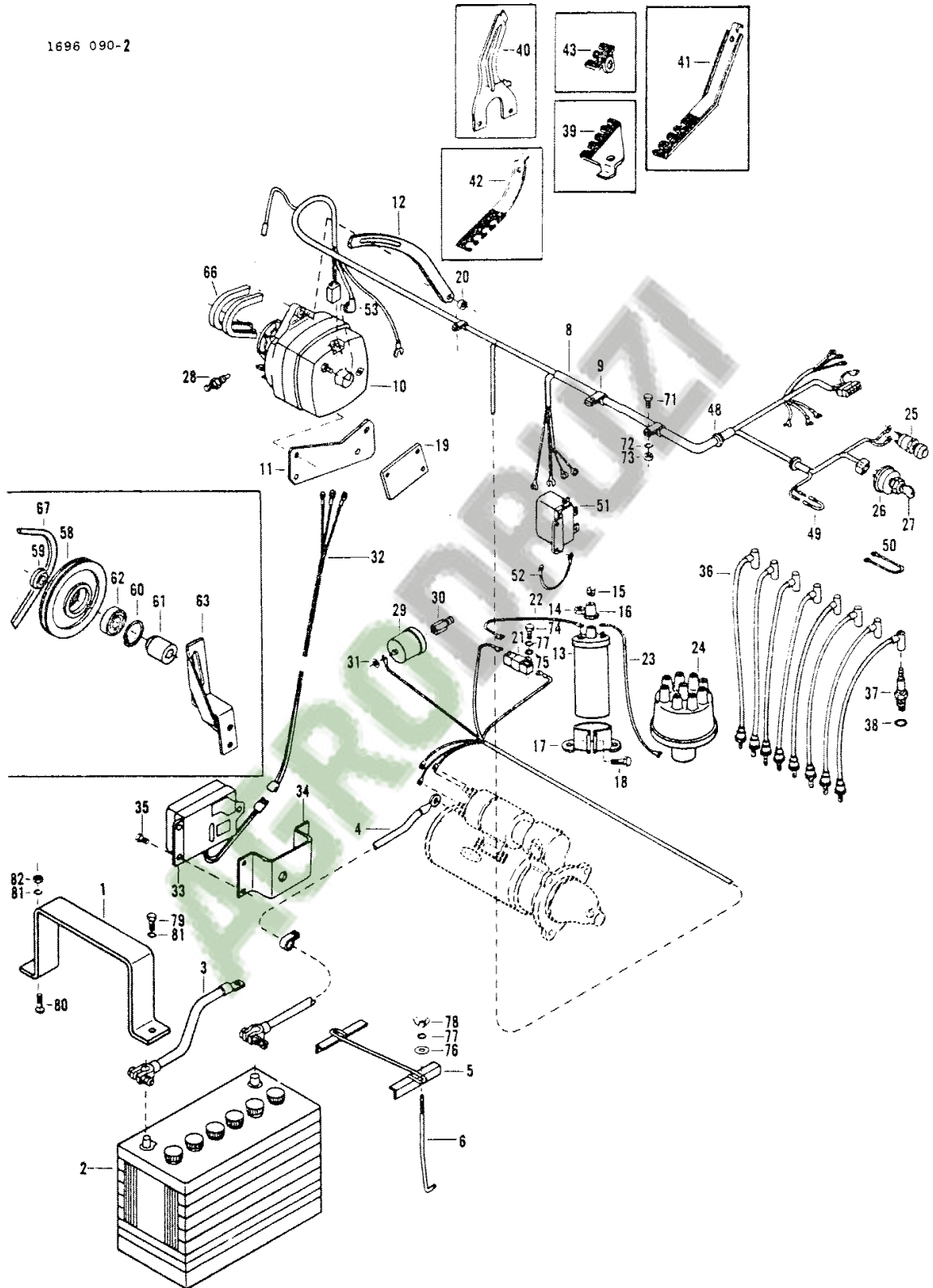
80-1

651 331 M95 (Issue 3) 11/79

346

ELECTRICAL WIRING

1696 090-2



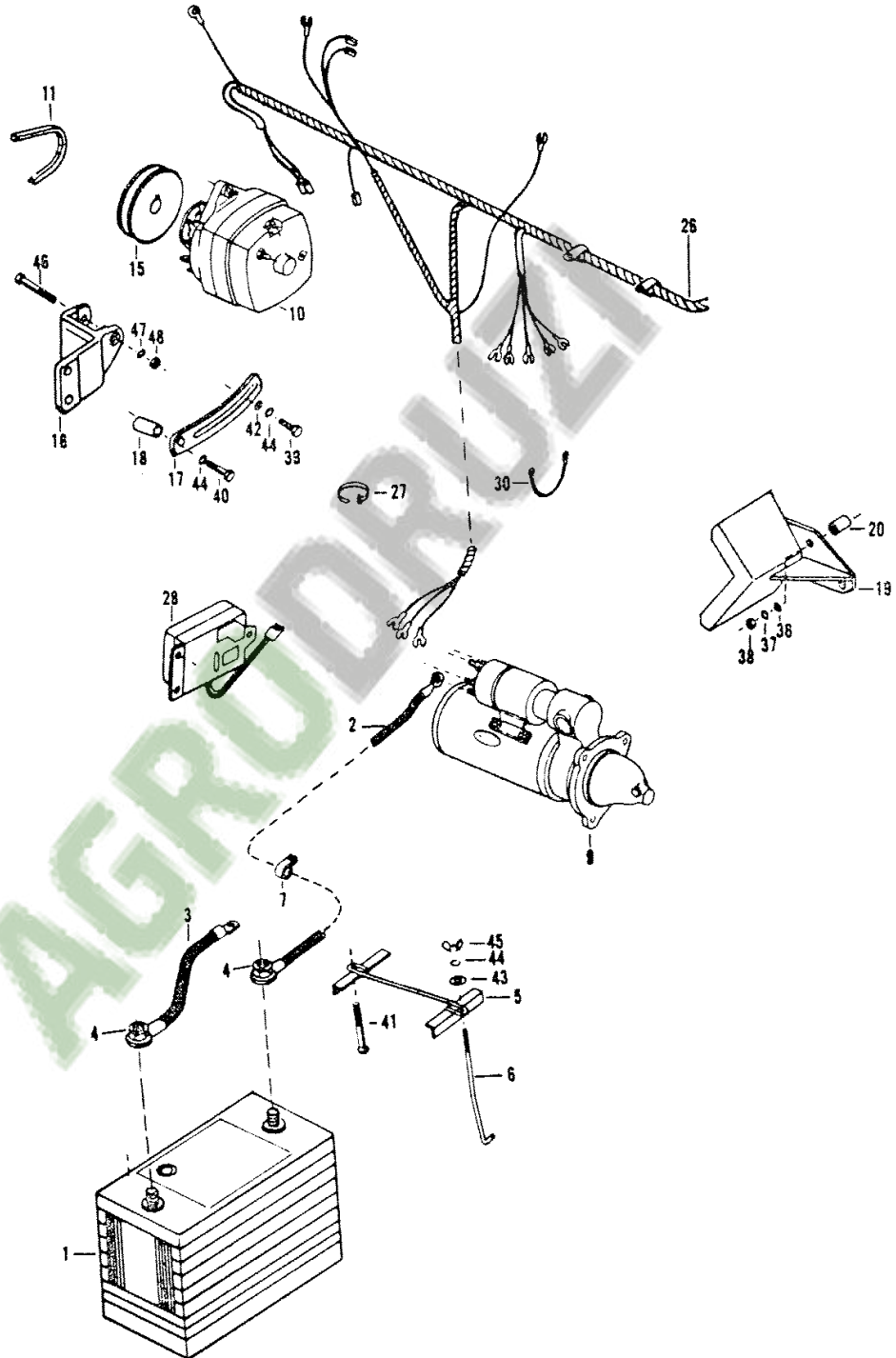
1st Print

651 331 M95 (Issue 1) 12/77

ELECTRICAL WIRING

347B

1696 406



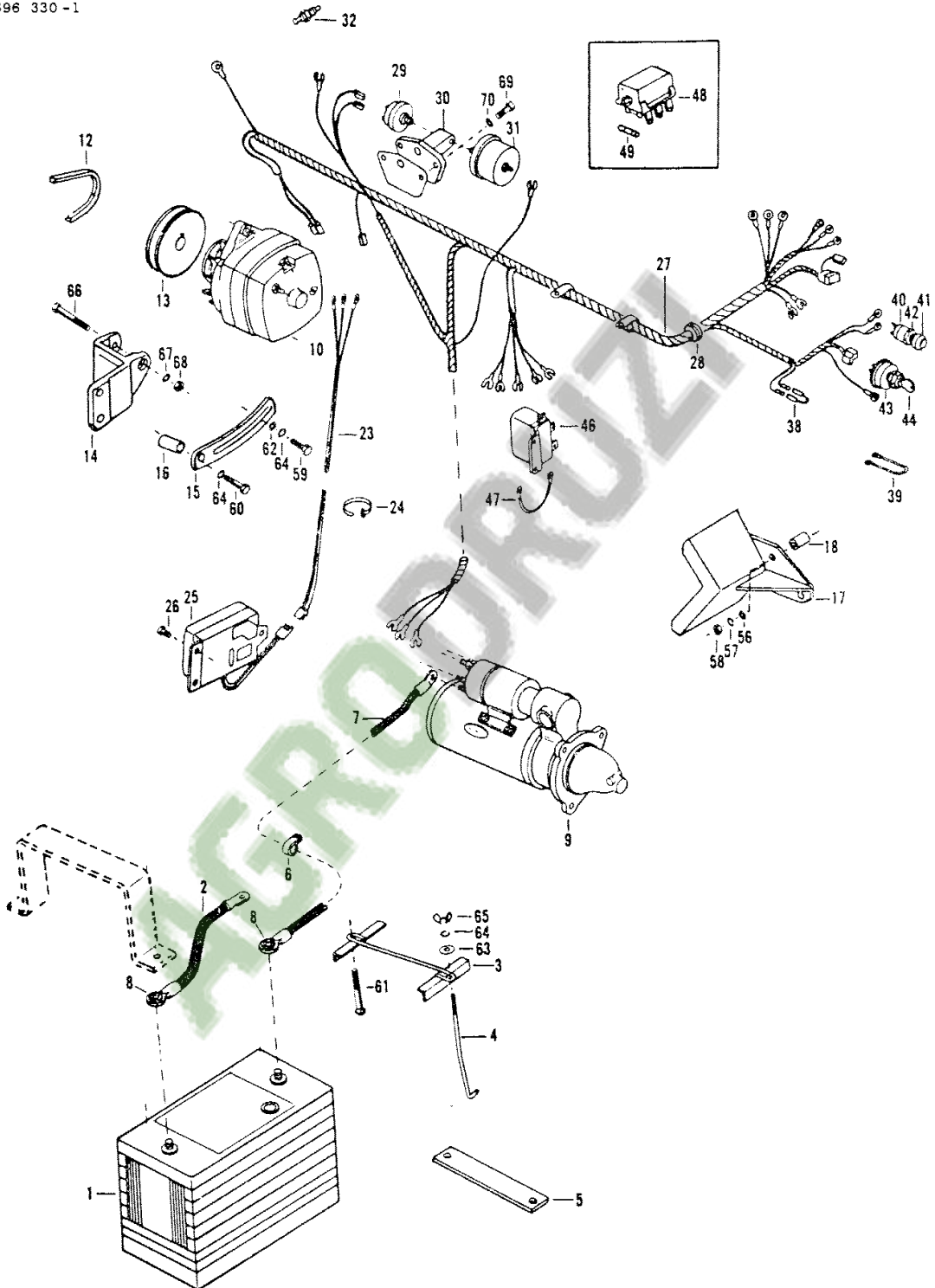
79-16

651 331 M95 (Issue 2) 2/

347C

ELECTRICAL WIRING

1696 330 -1



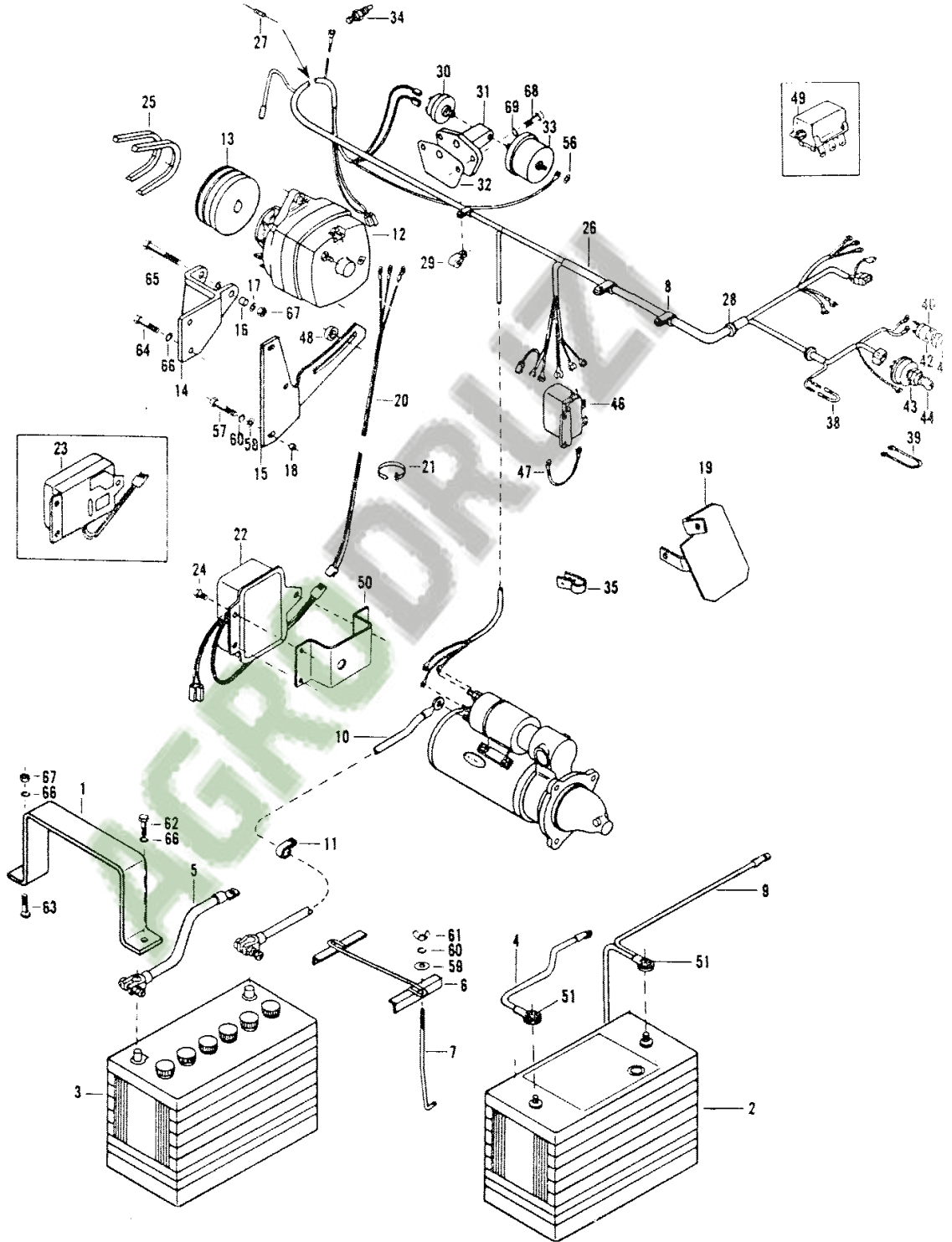
79-45

651 331 M95 (Issue 2) 5/79

ELECTRICAL WIRING

349

1696 091 -5



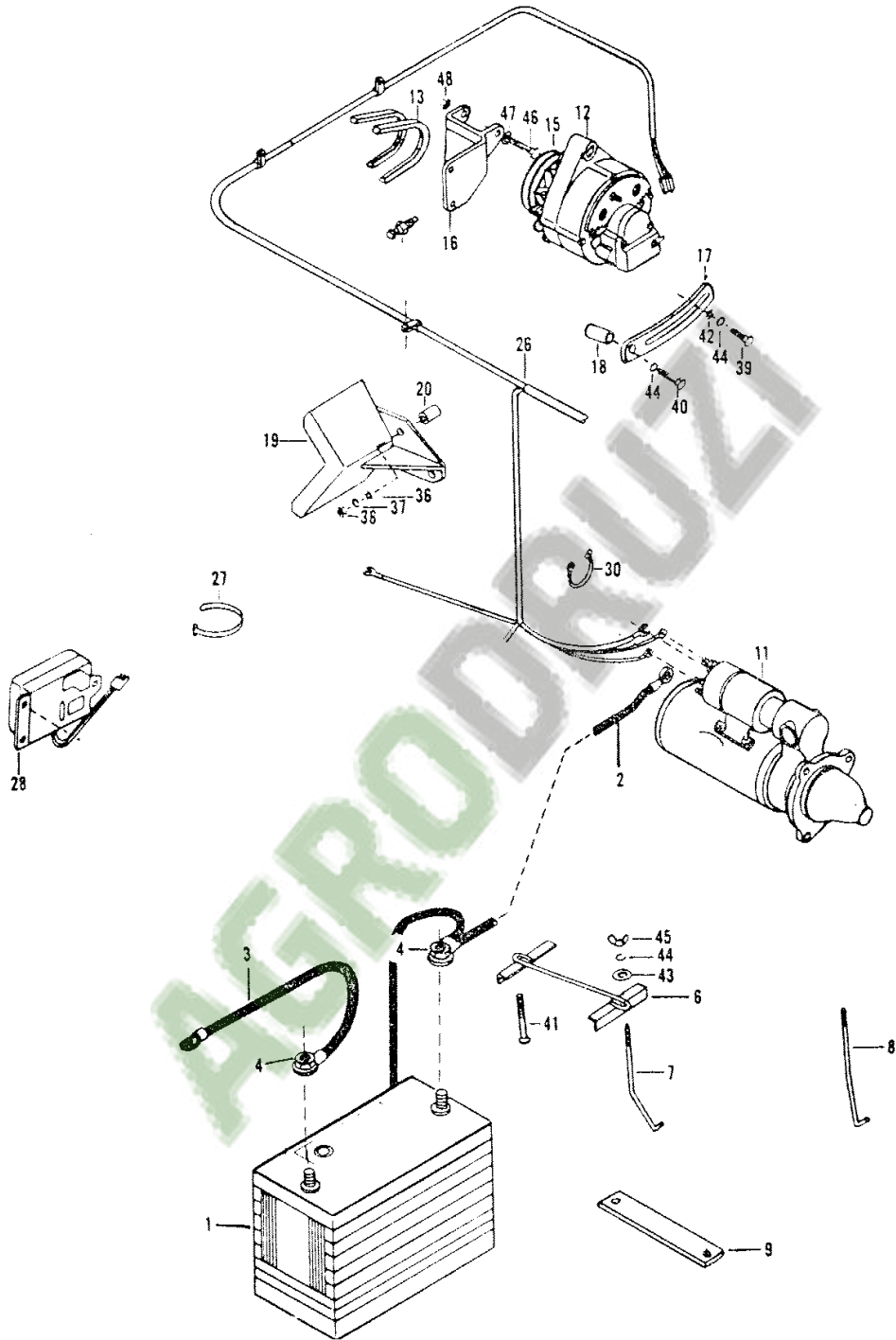
79-45

651 331 M95 (Issue 3) 5/7

349A

1696 407 -1

ELECTRICAL WIRING



79-45

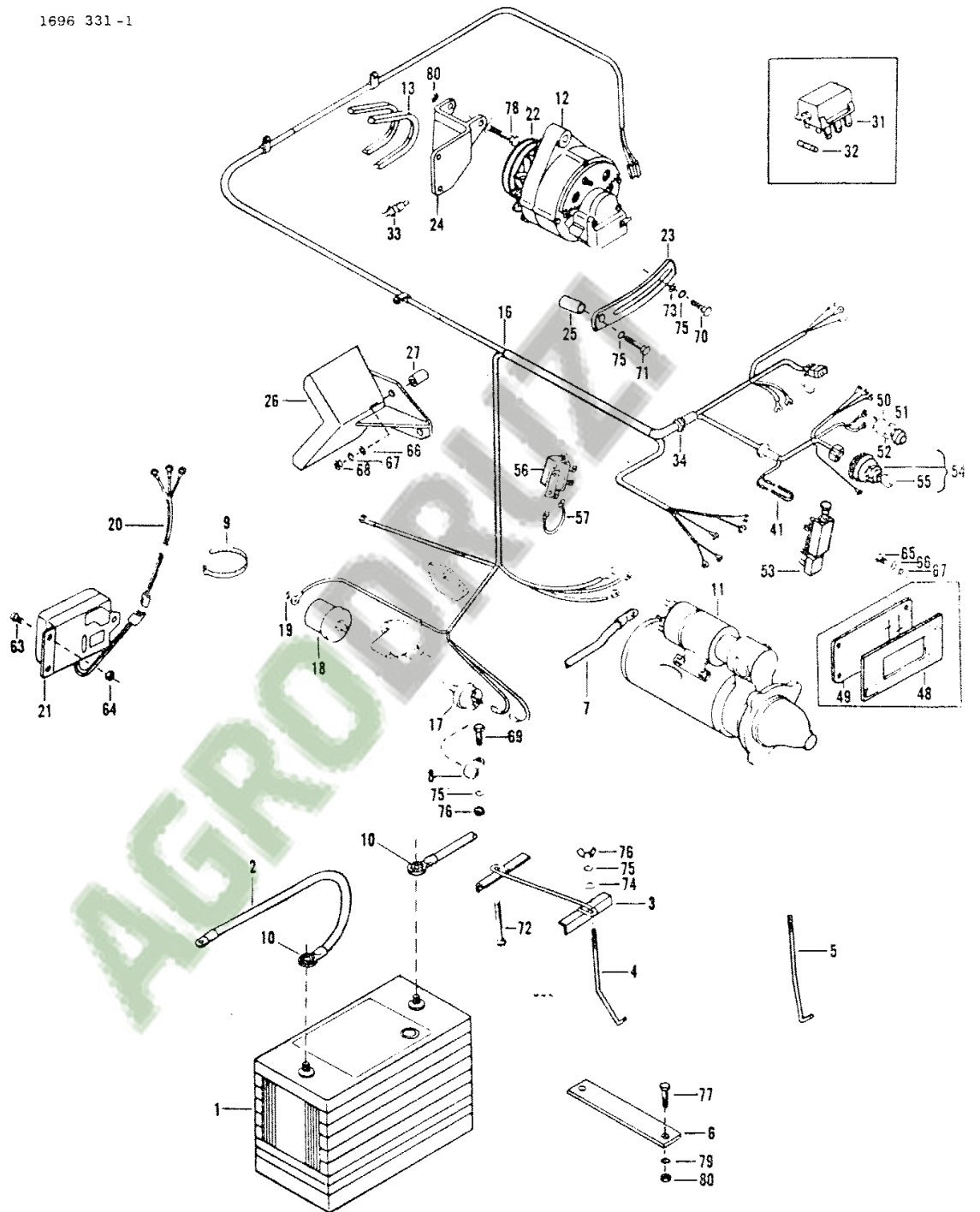
651 331 M95 (Issue 3) 5/79



ELECTRICAL WIRING

349D

1696 331-1

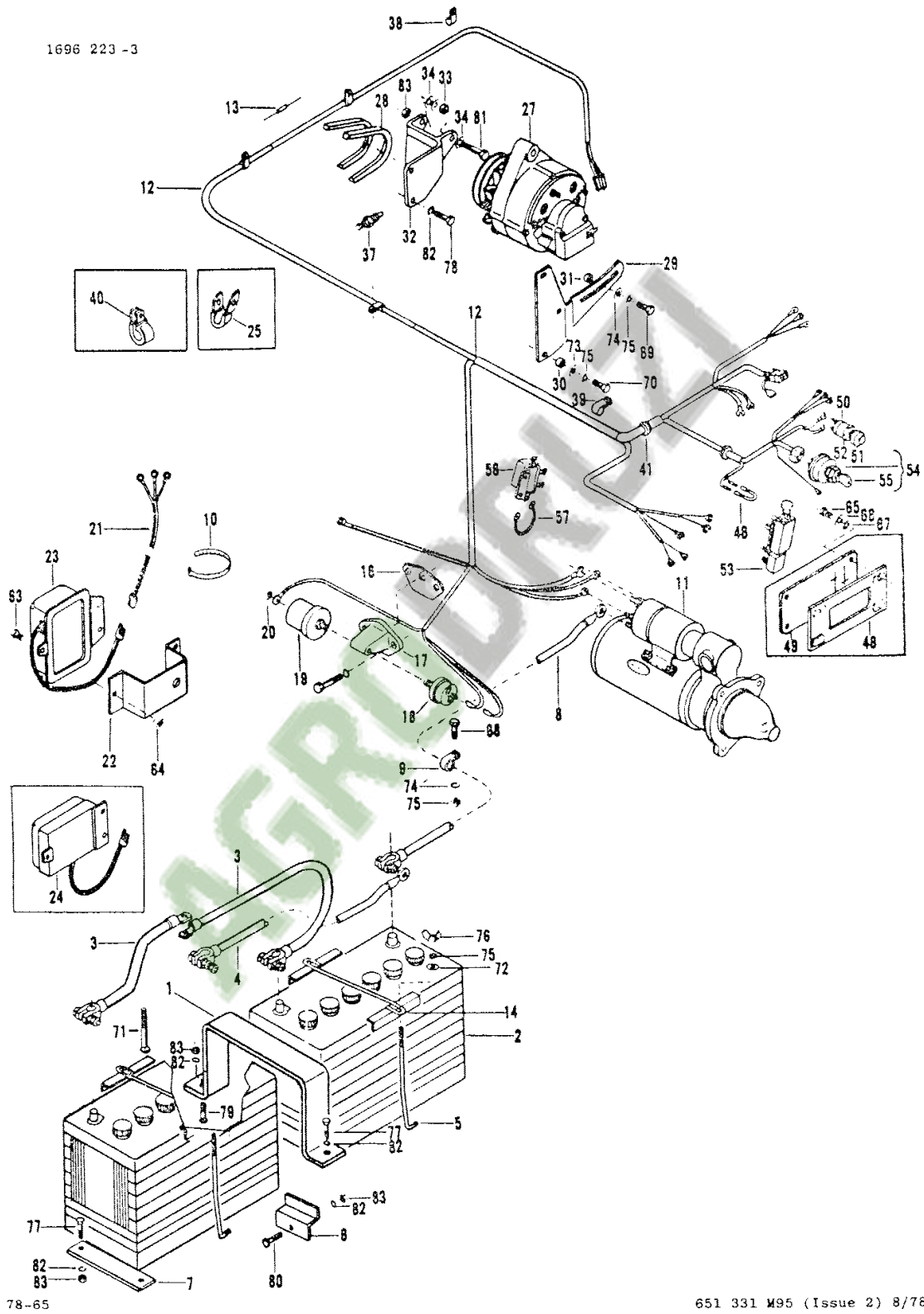


79-45

651 331 M95 (Issue 2) 5/71

350

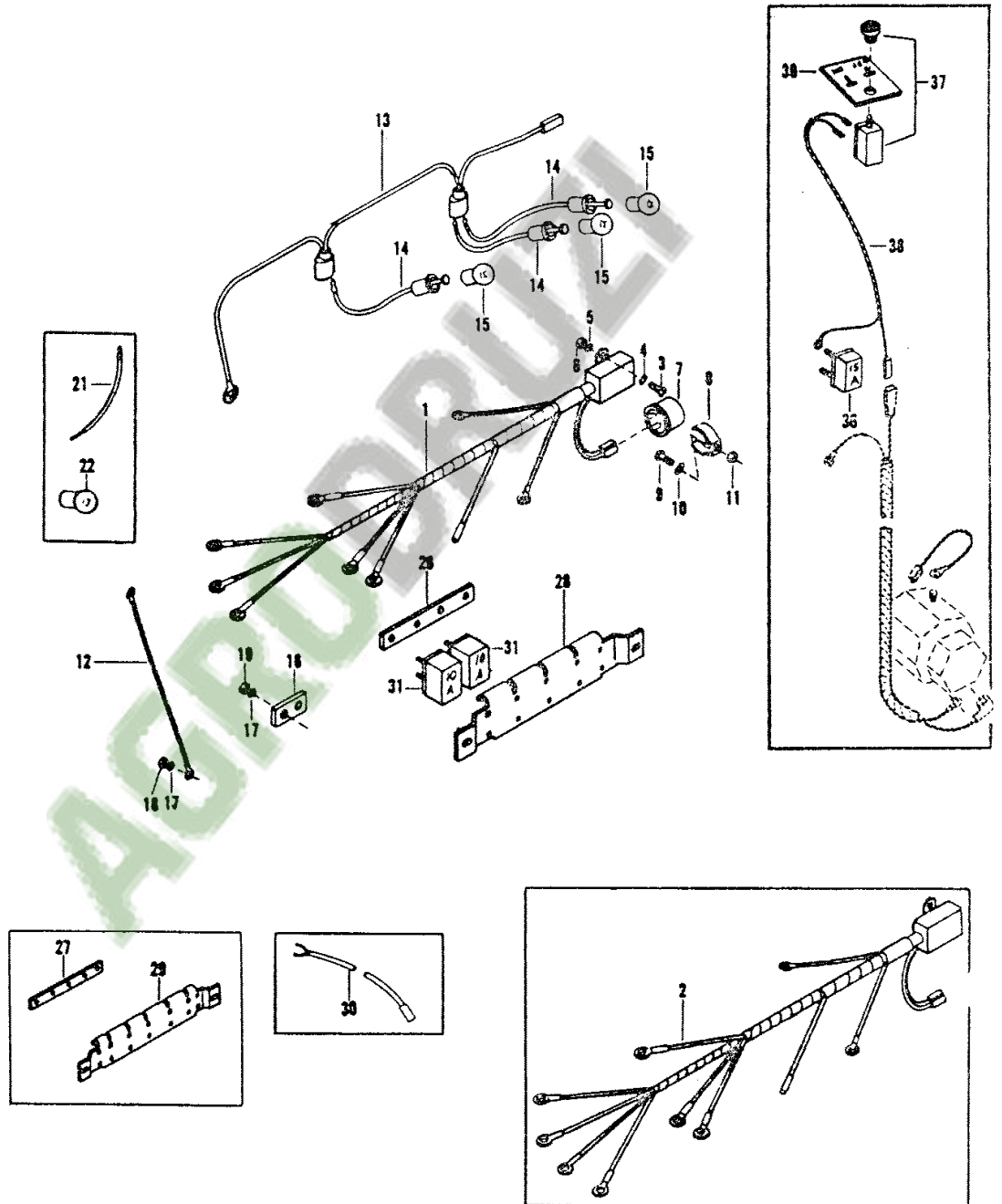
ELECTRICAL WIRING



ELECTRICAL WIRING

353

1696 092-4



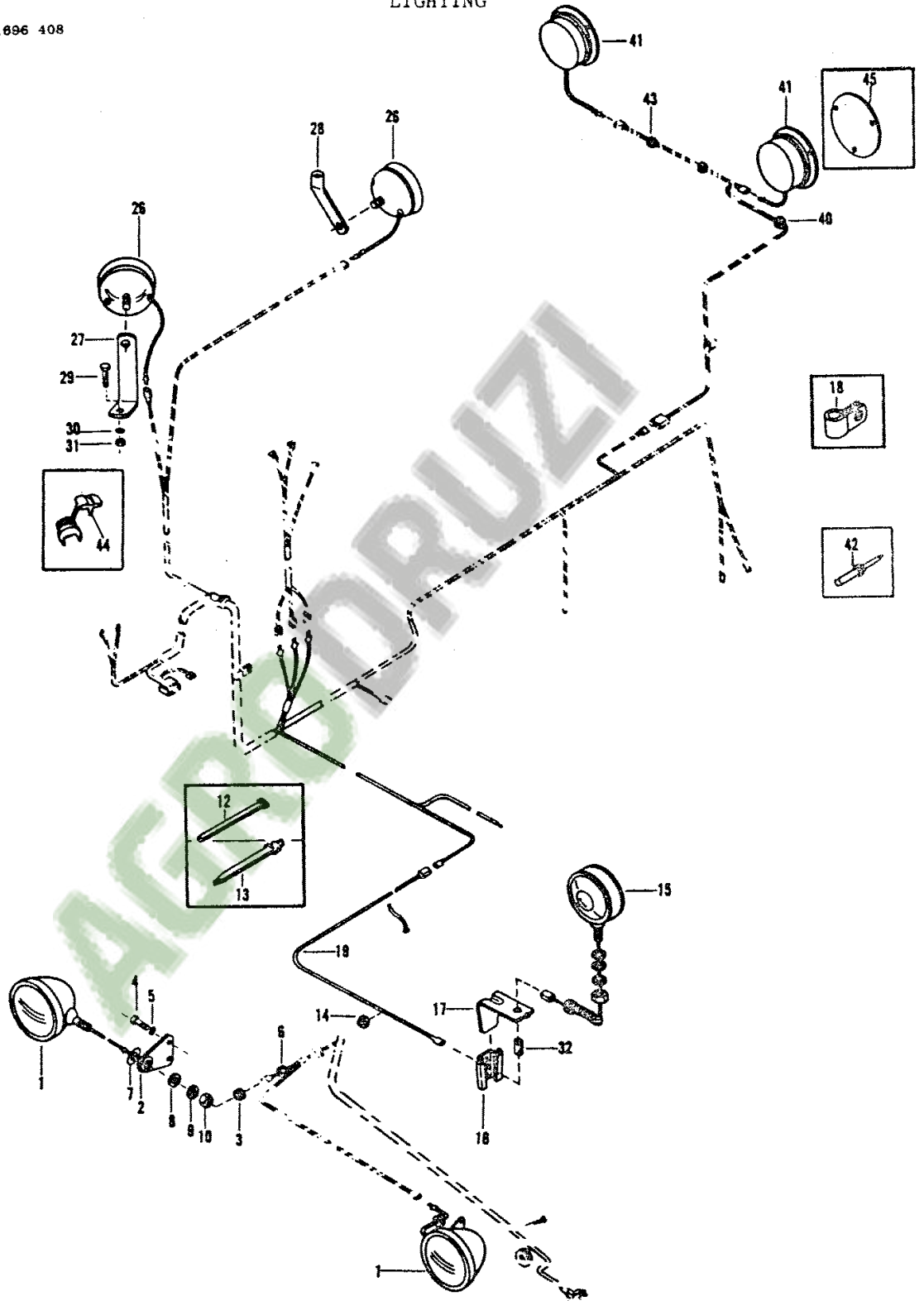
1st Print

651 331 M95 (Issue 1) 12/77

1696 408

LIGHTING

353D



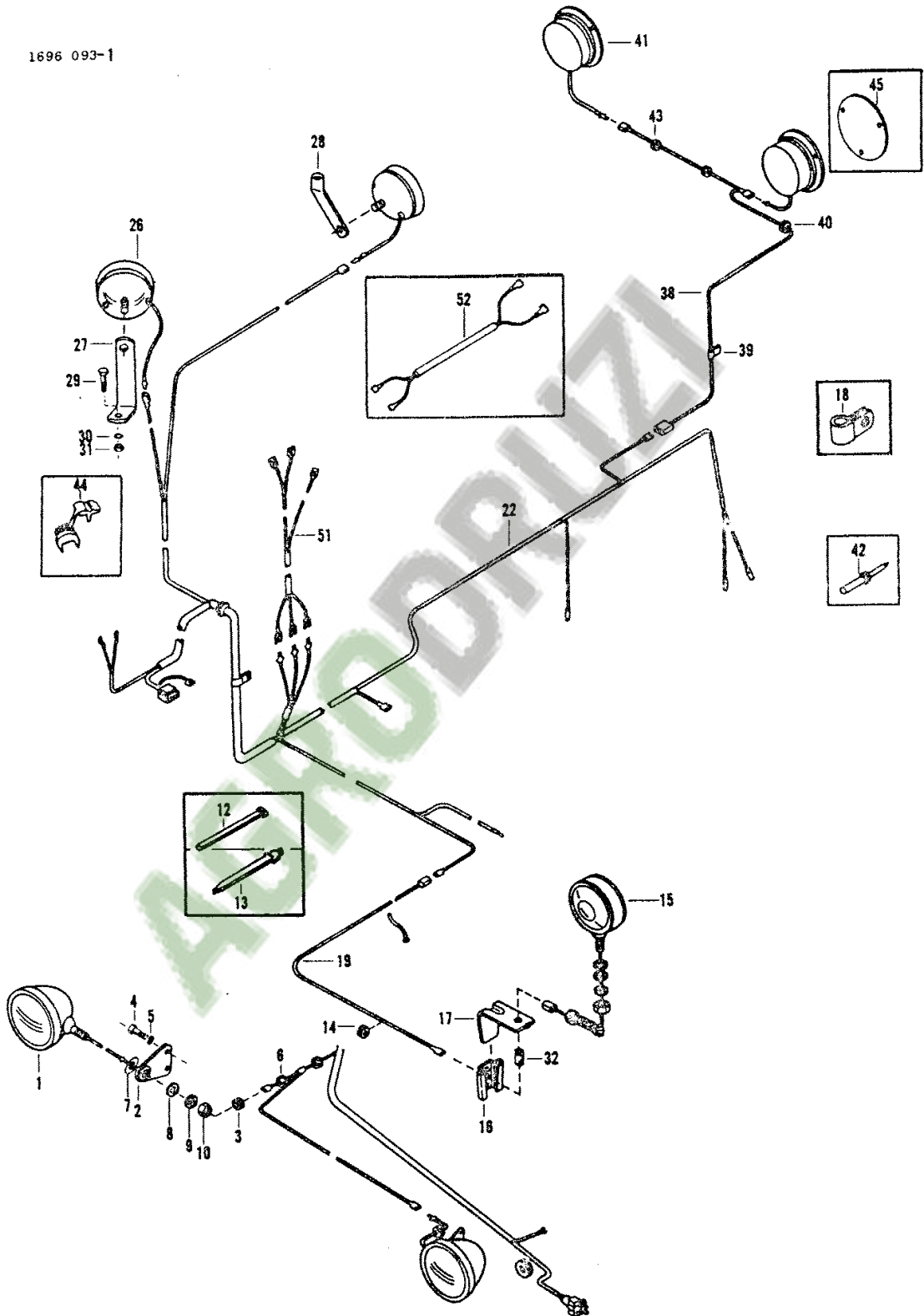
79-16

651 391 M95 (Issue 1) 2/79

354

LIGHTING

1696 093-1



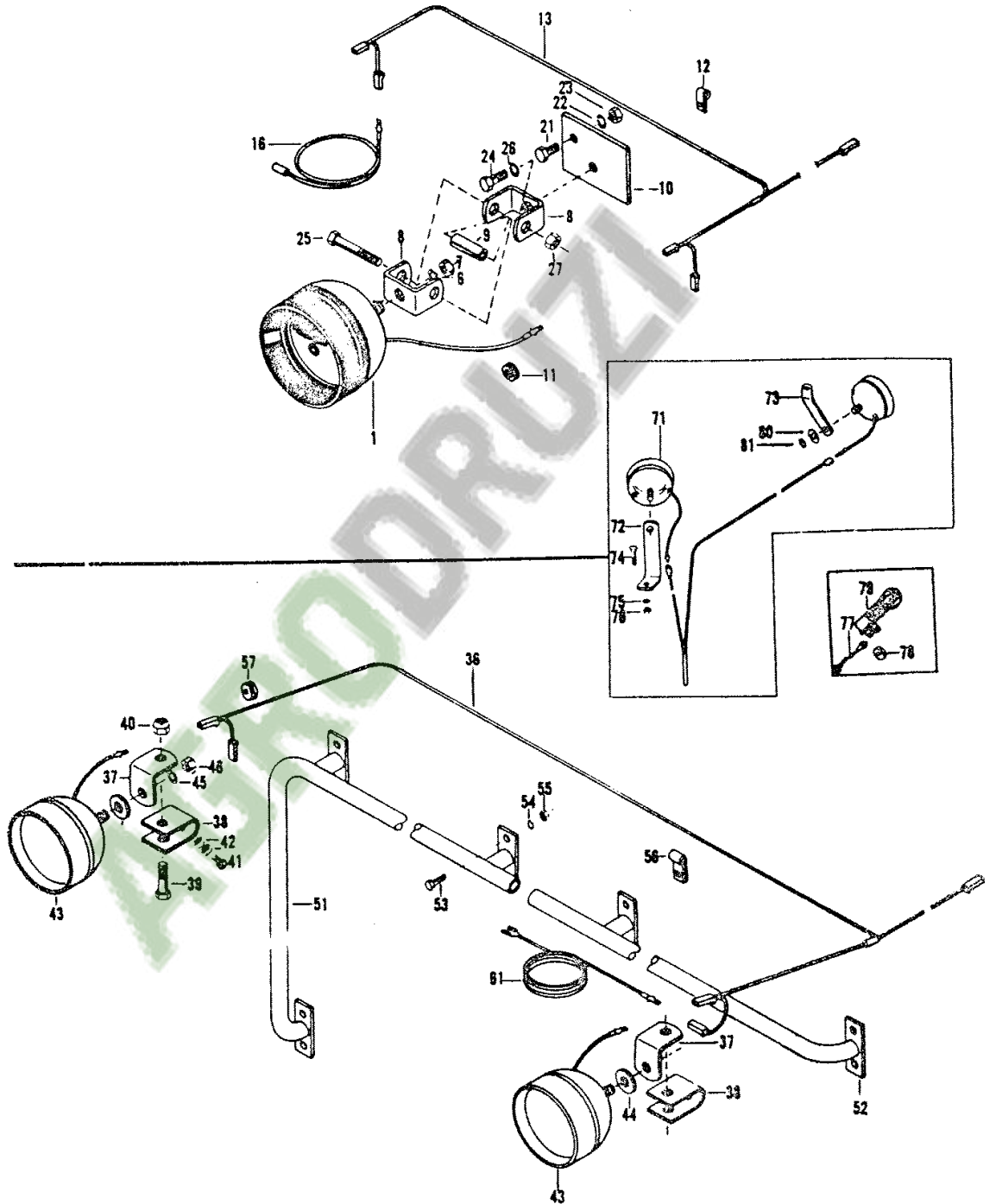
1st Print

651 331 M95 (Issue 1) 12/77

LIGHTS, RAILS

357

1696 094-



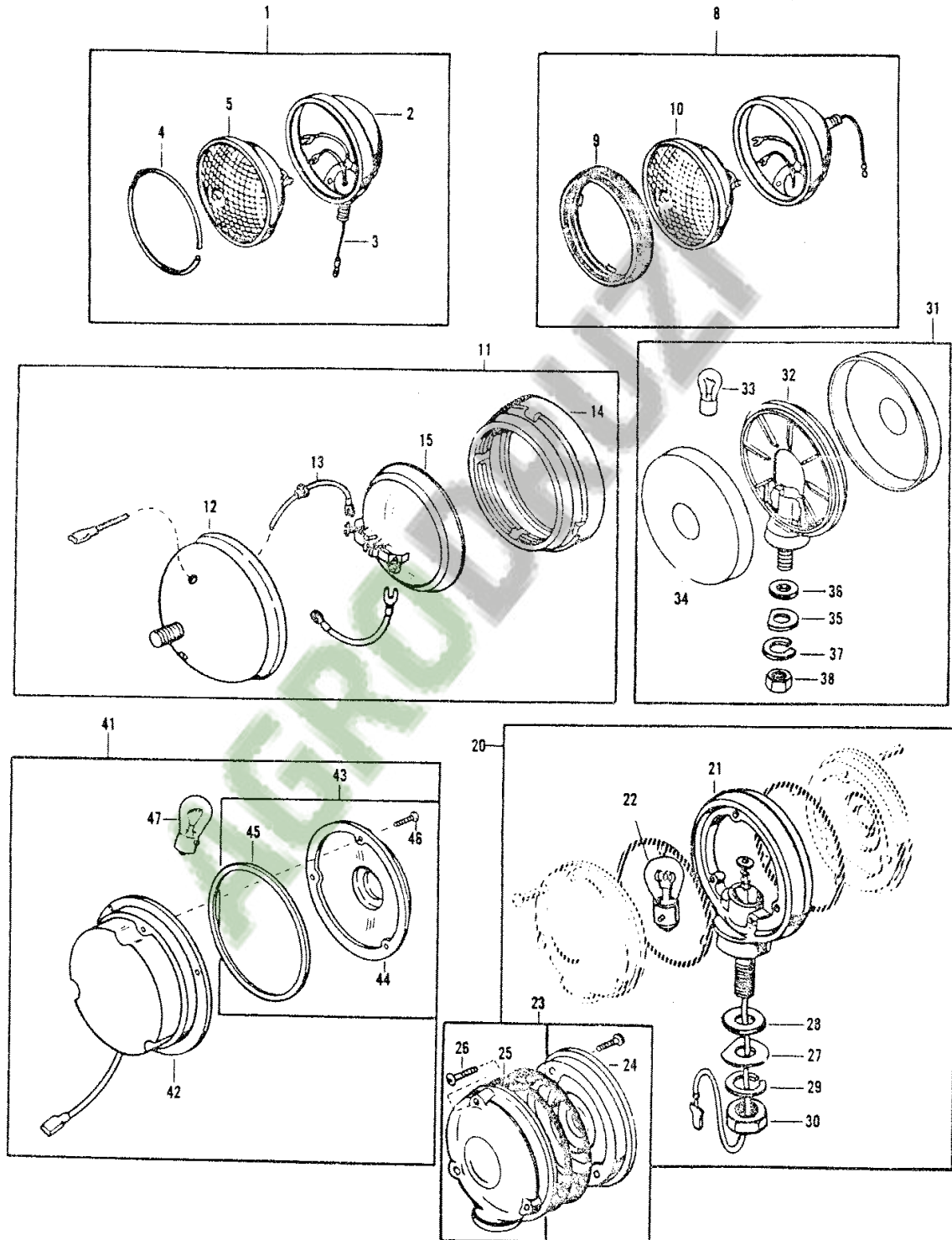
79-16

651 331 M95 (Issue 2) 2/79

358

1696 025-1

LIGHTS



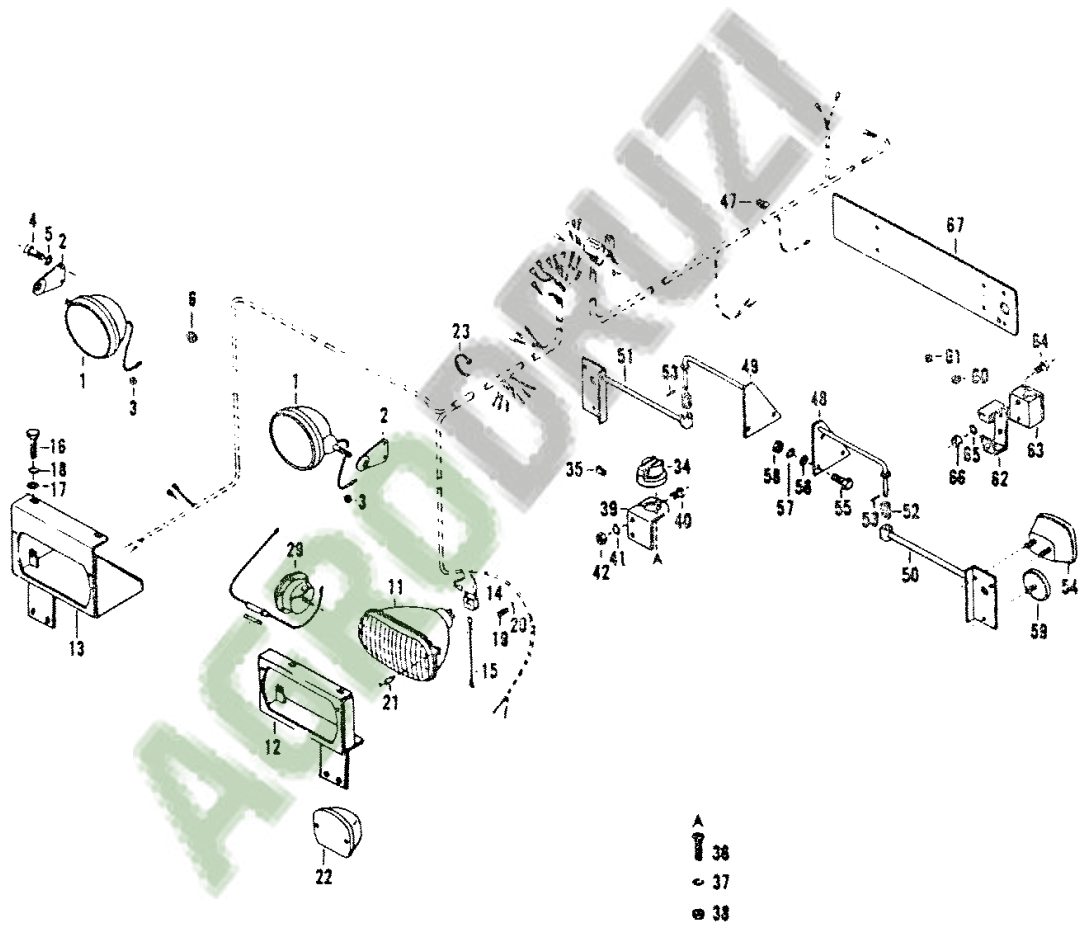
1st Print

651 331 M95 (Issue 1) 12/77

359C

1696 409

ROAD LIGHTS



79-16

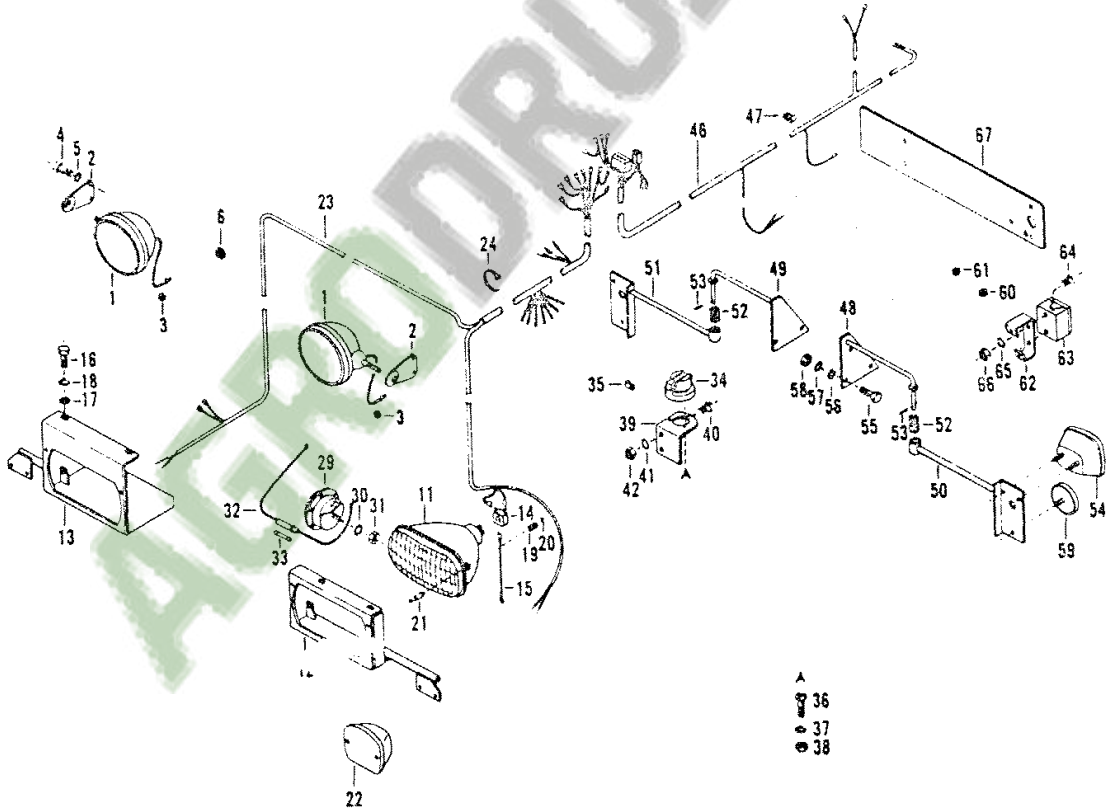
651 331 M95 (Issue 1) 2/79



ROAD LIGHTS

361

1696 276



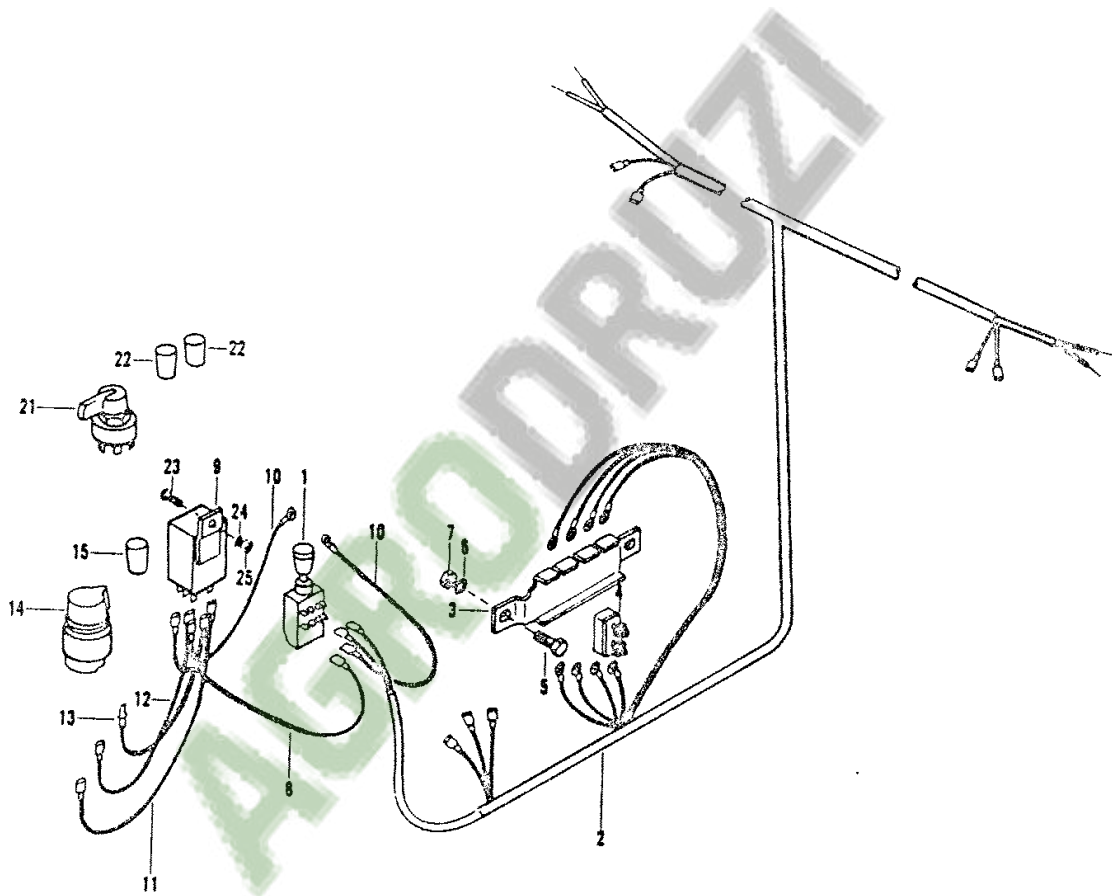
1st Print

651 331 M95 (Issue 1) 12/77

362

ELECTRICAL WIRING

1696 310



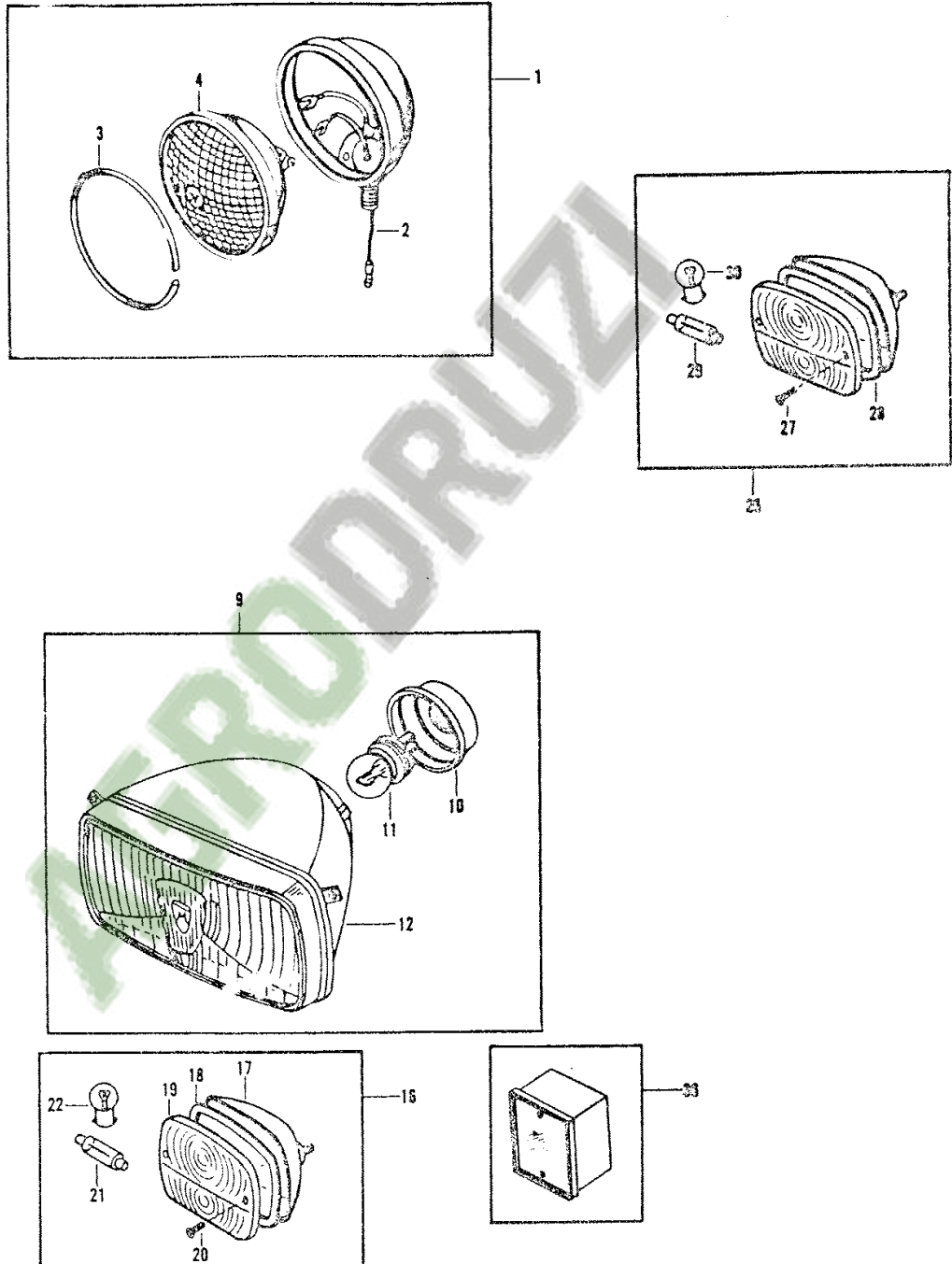
1st Print

851 331 M95 (Issue 1) 12/77

LIGHTS

365

1696 277



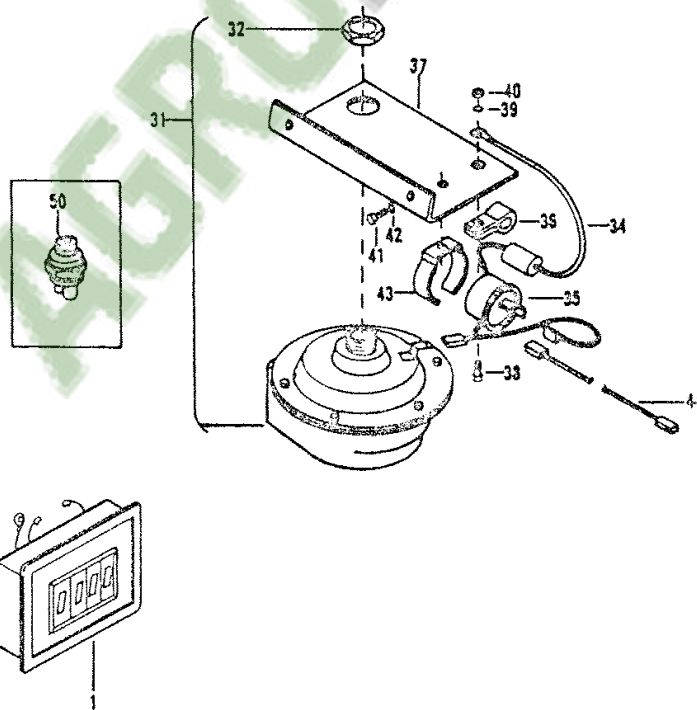
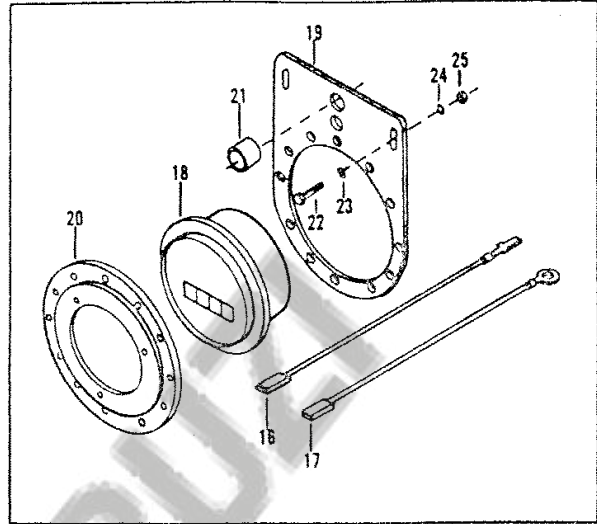
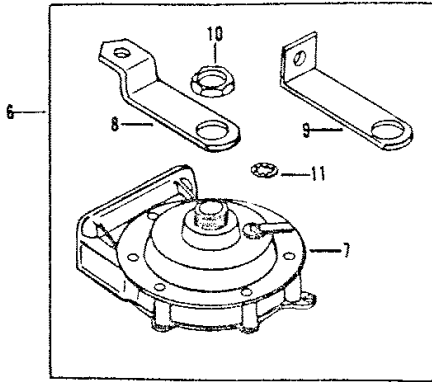
1st Print

651 331 M95 (Issue 1) 12/77

366

HOURLY METER, WARNING HORN

1696 096



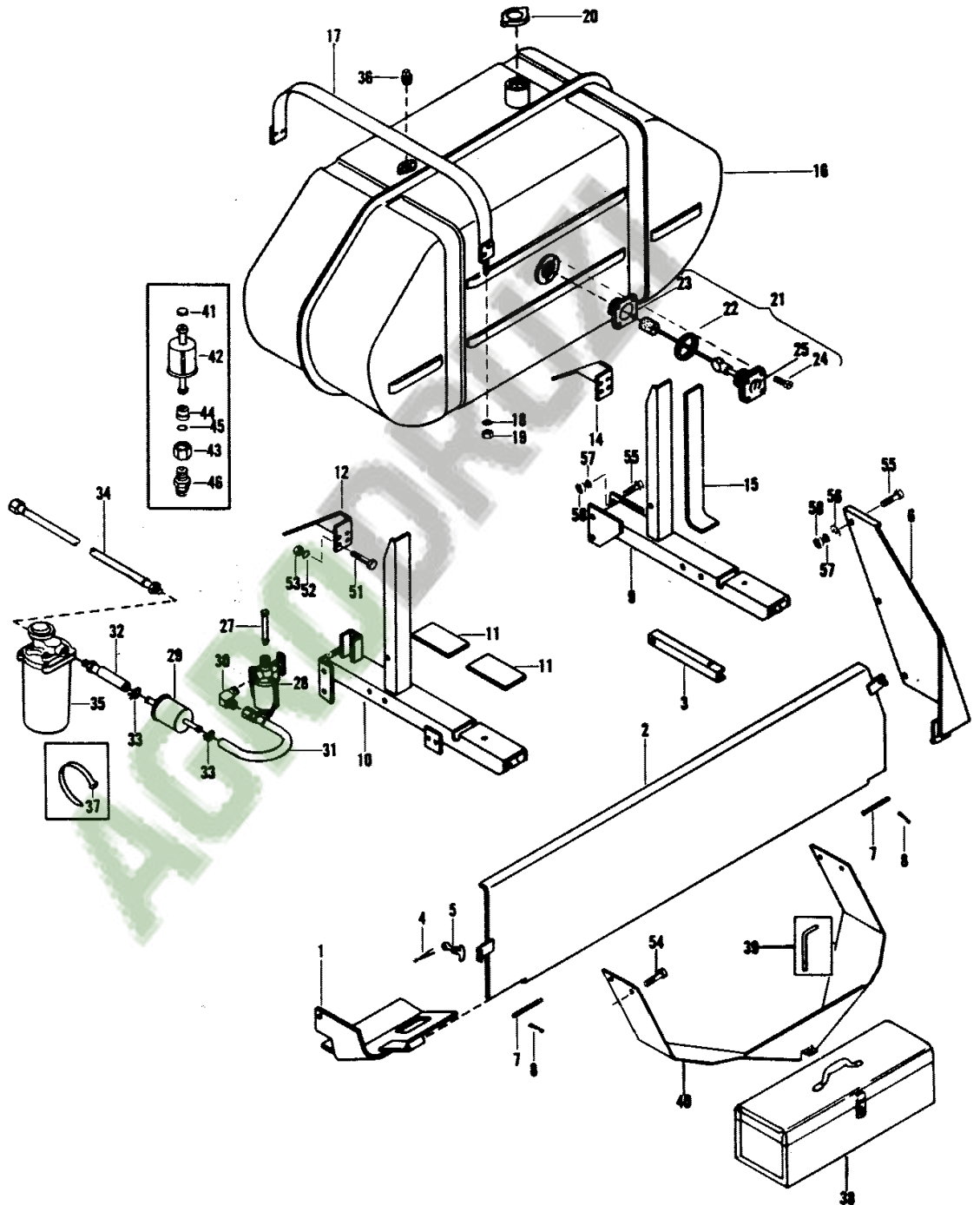
79-16

651 331 M05 (Issue 2) 2/79

TOOL BOX, FUEL TANK AND LINES

369

1696 224 -2



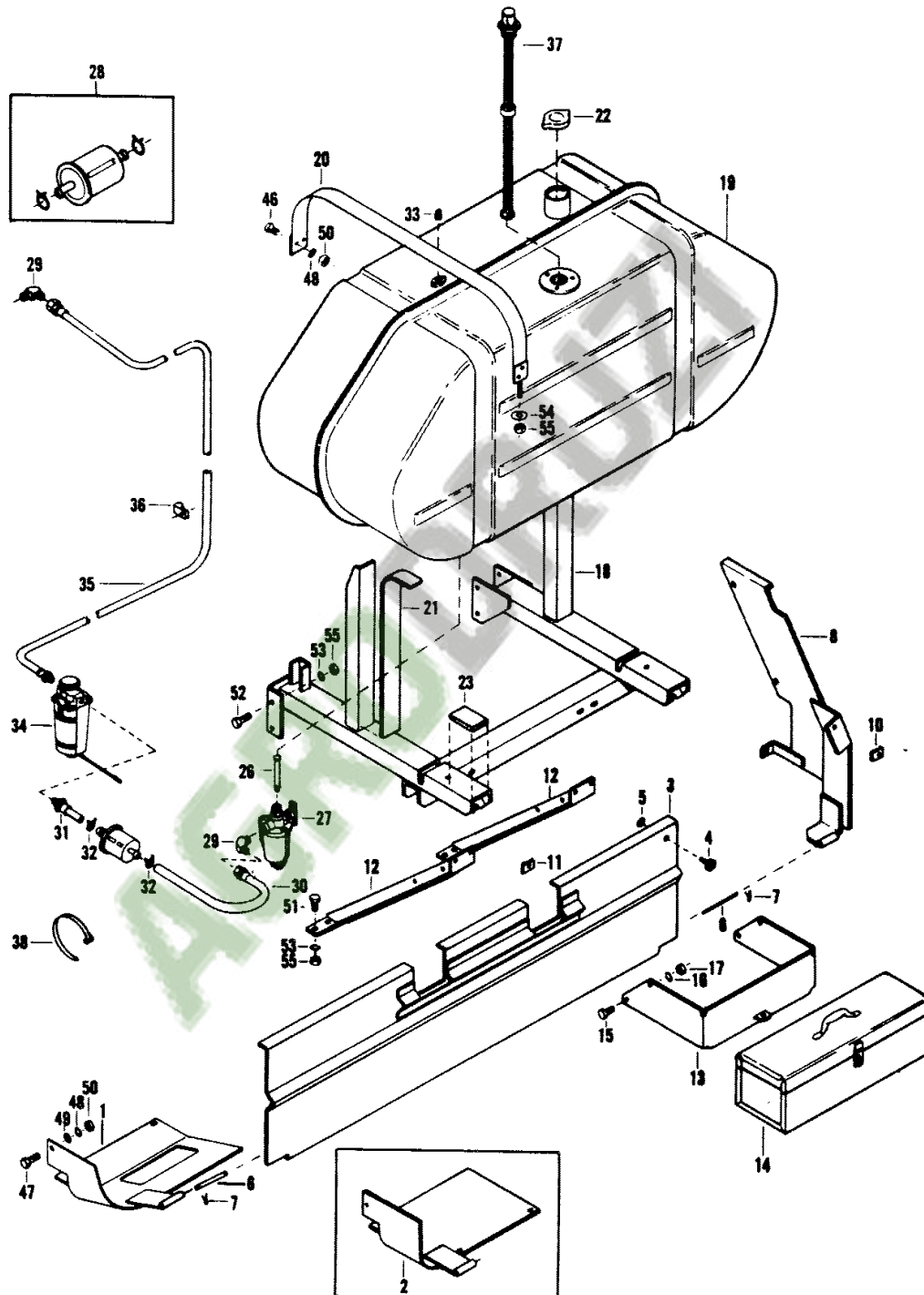
1st Print

651 331 M95 (Issue 1) 12/11

370

TOOL BOX, FUEL TANK AND LINES

1696 097-1



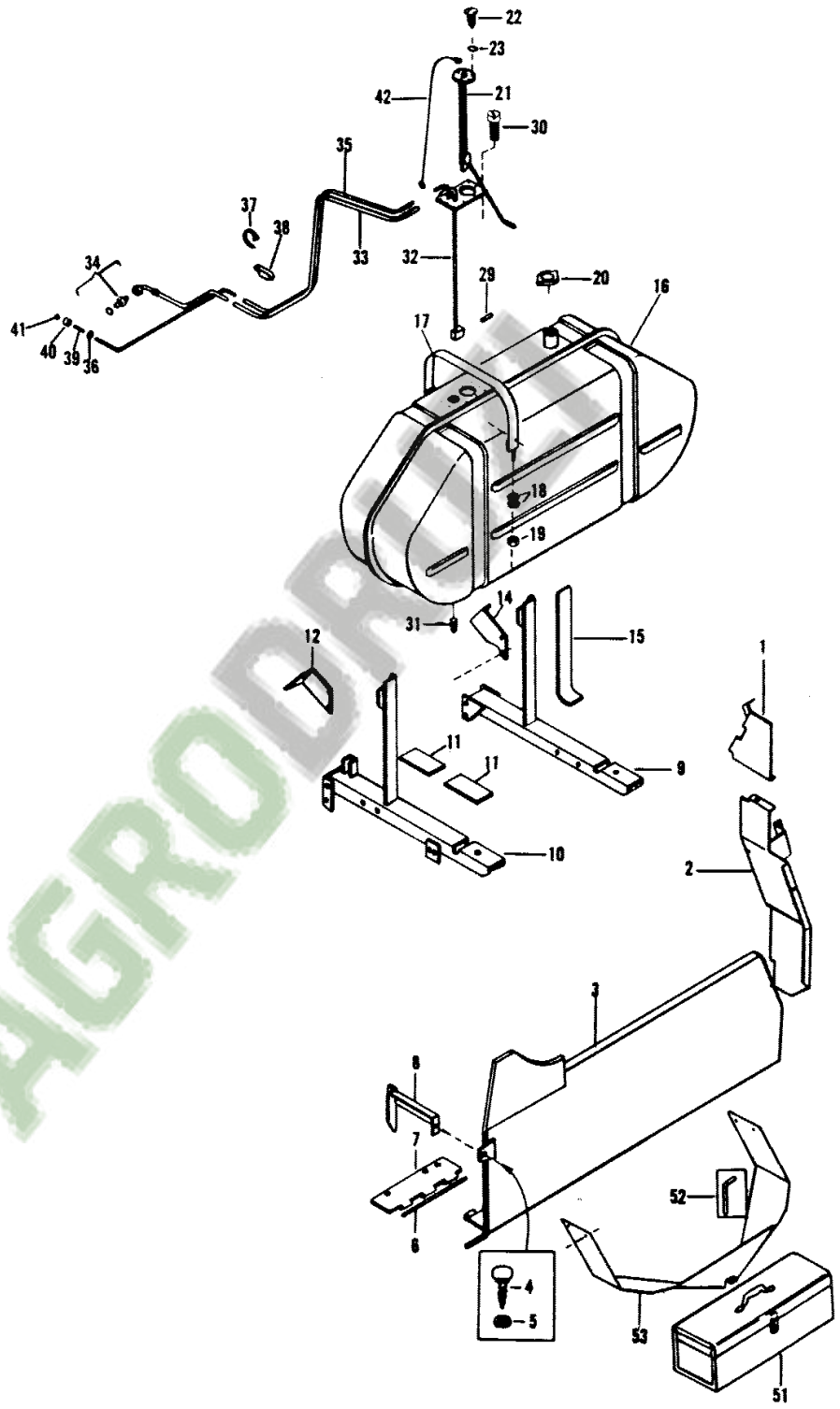
1st Print

651 331 M95 (Issue 1) 12/77

1696 410

TOOL BOX, FUEL TANK AND LINES

371B



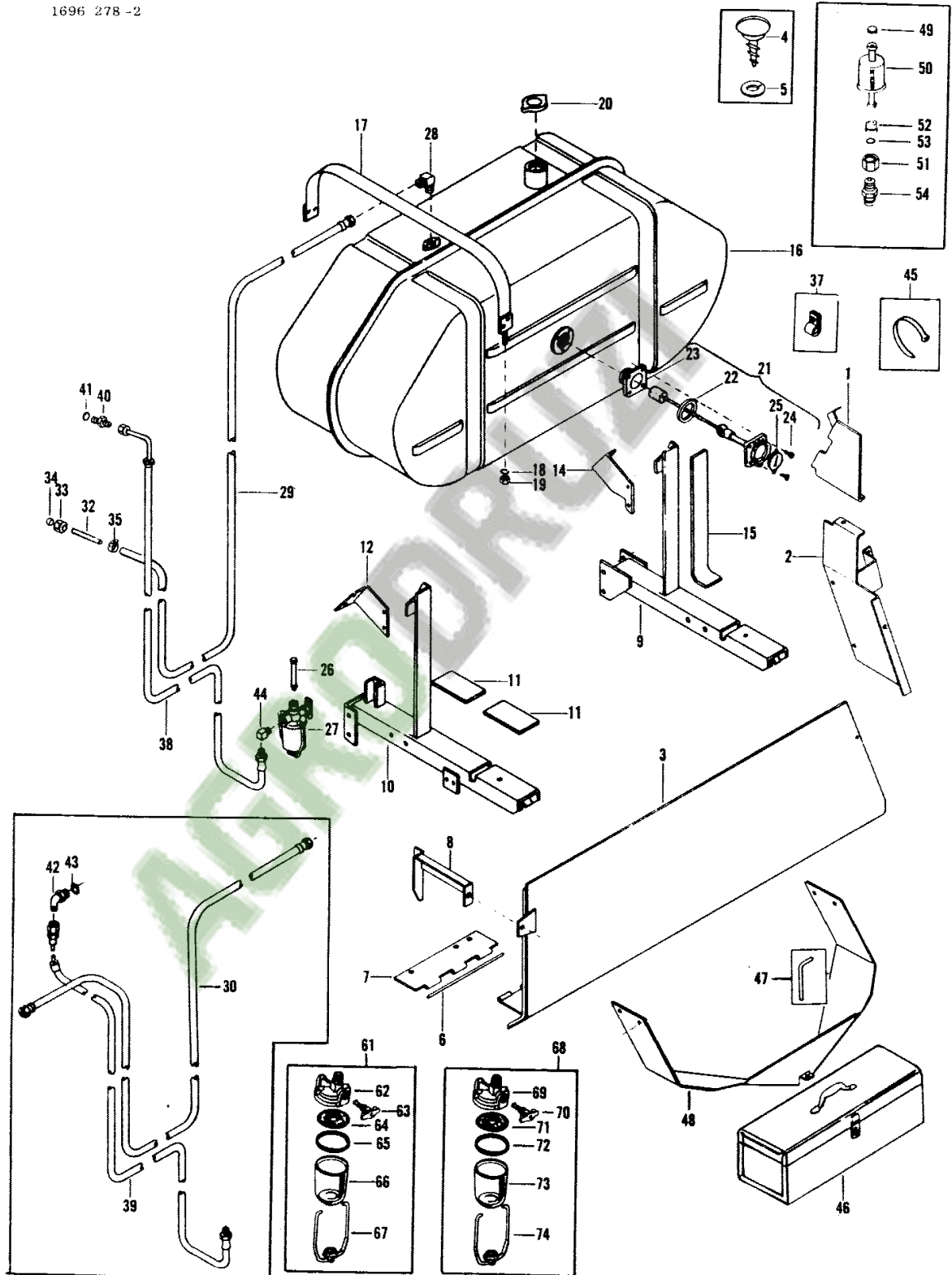
79-16

651 331 M95 (Issue 1) 2/79

TOOL BOX, FUEL TANK AND LINES

373

1696 278 -2

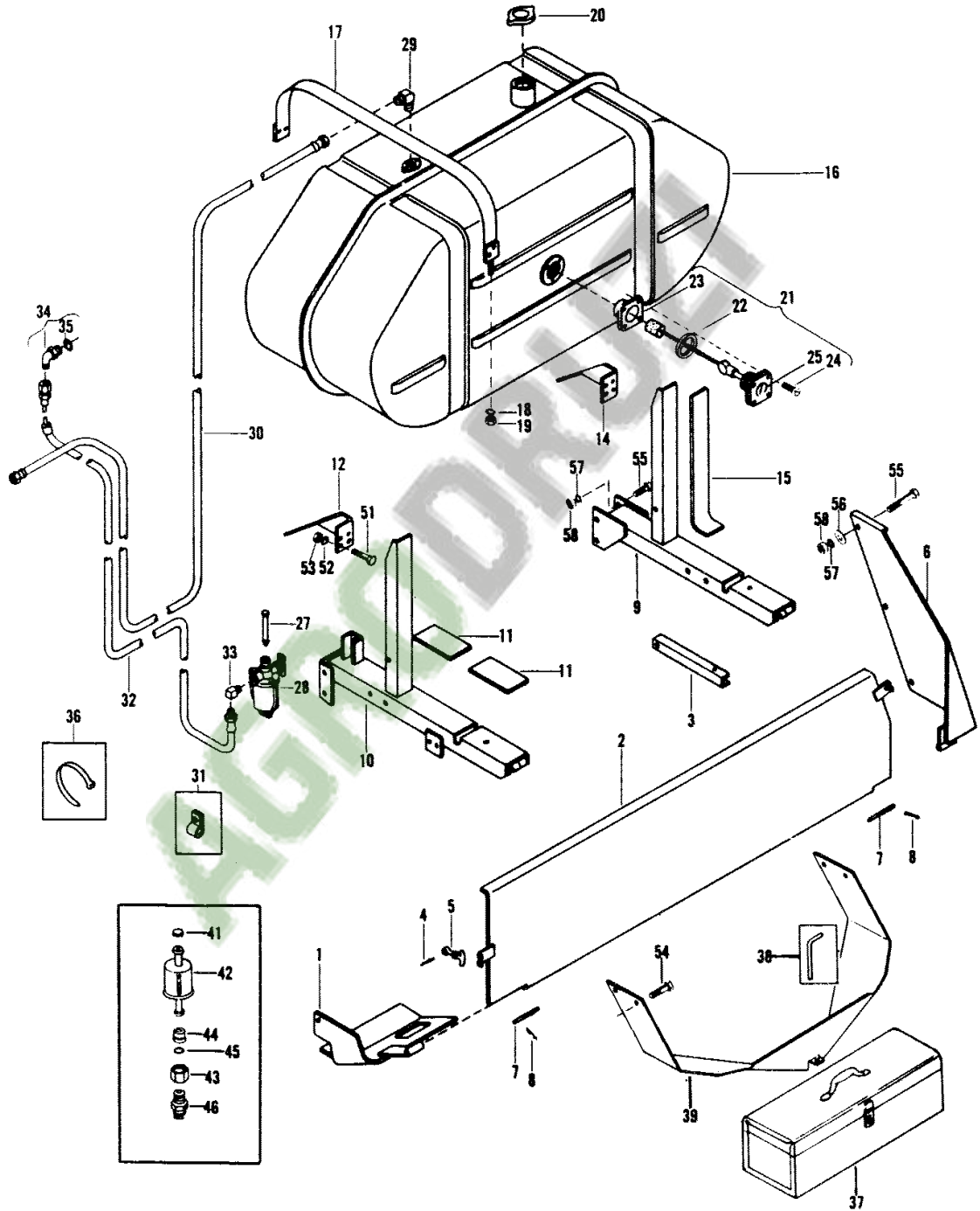




374

TOOL BOX, FUEL TANK AND LINES

1696 225 -2



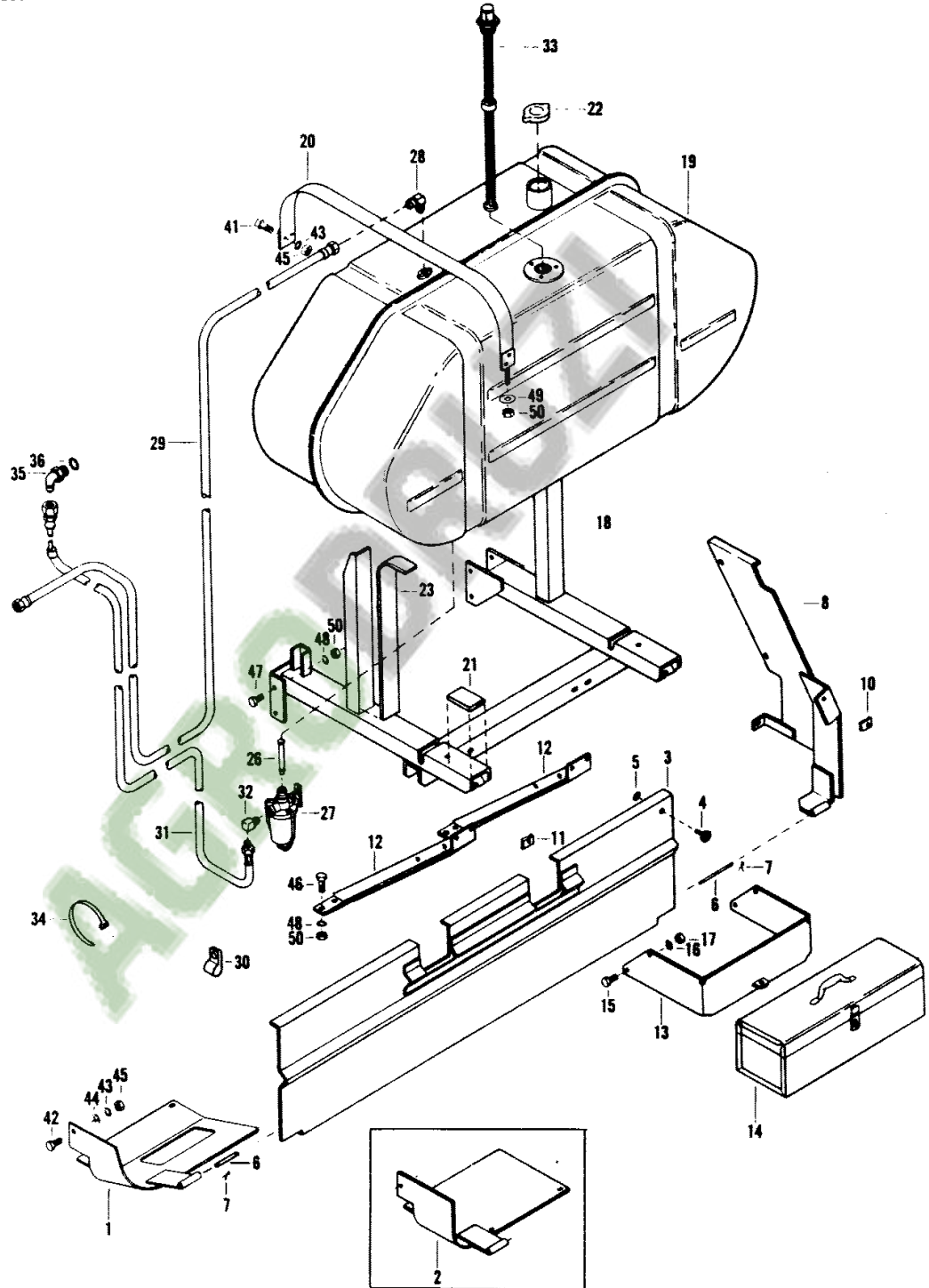
1st Print

651 331 M95 (Issue 1) 12/77

TOOL BOX, FUEL TANK AND LINES

377

1696 098-1



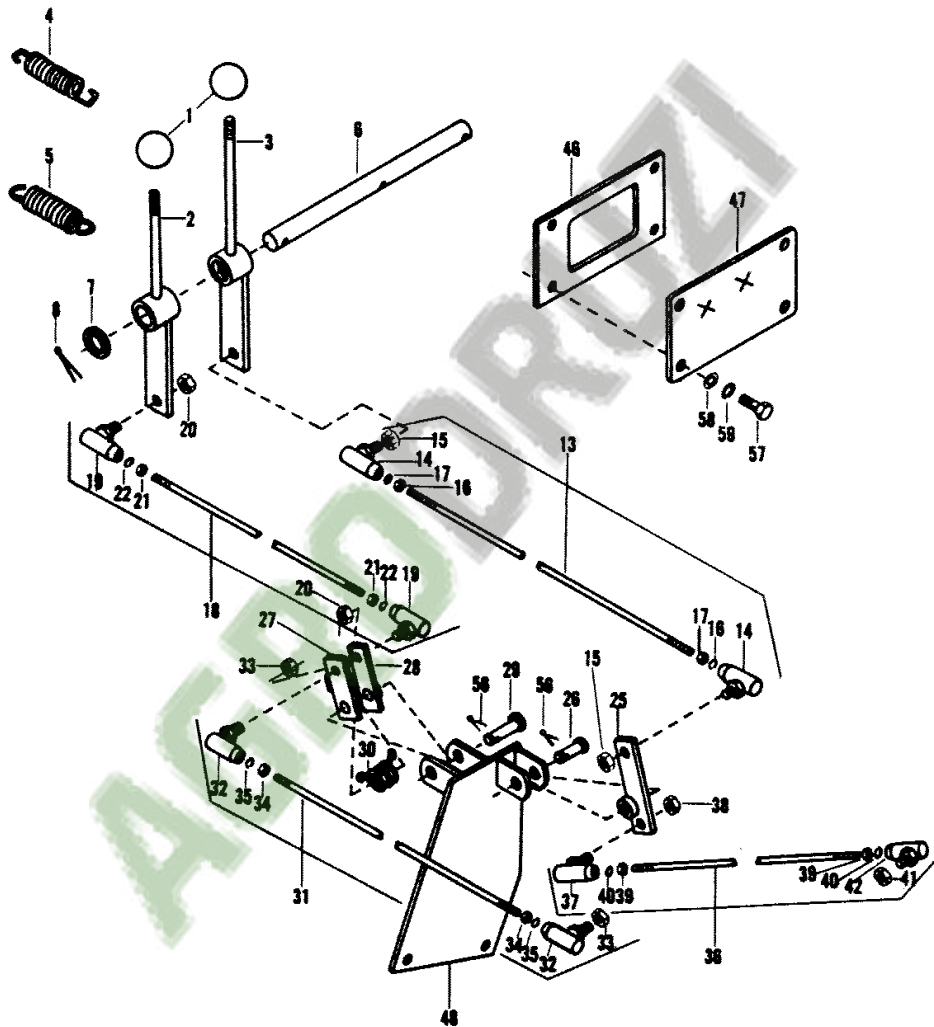
1st Print

651 331 M95 (Issue 1) 12/78

378

THROTTLE CONTROL, FUEL SHUT-OFF

1696 099



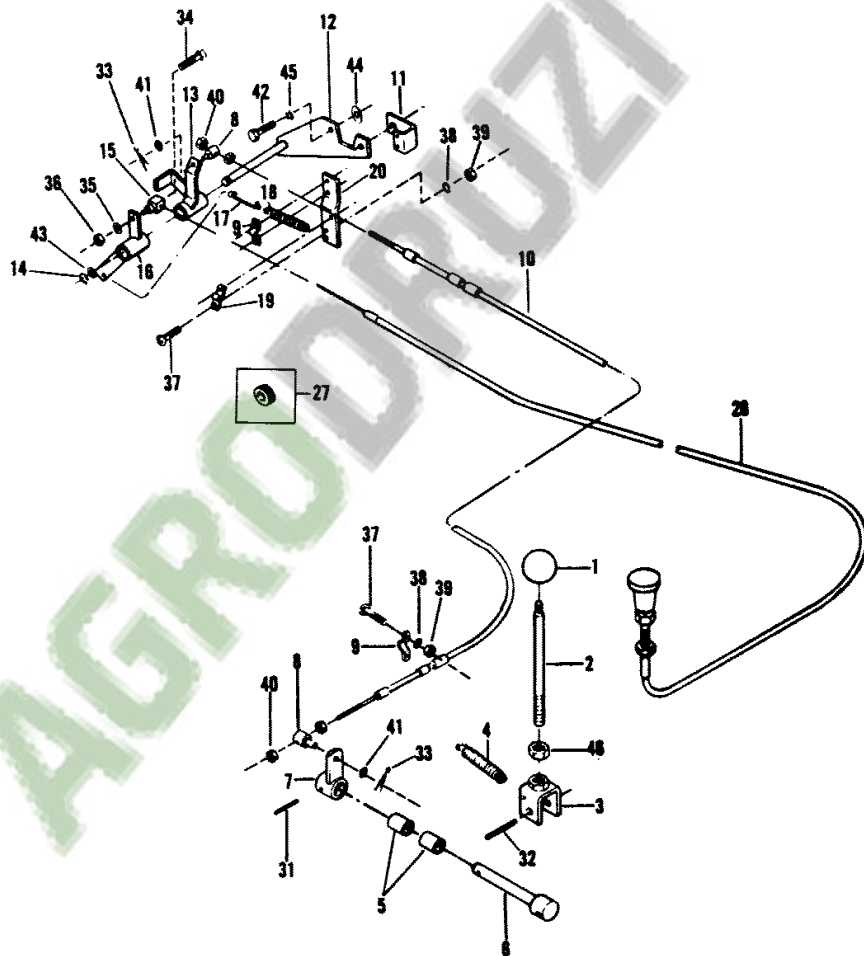
1st Print

651 331 M95 (Issue 1) 12/77

THROTTLE CONTROL, FUEL SHUT-OFF

379B

1696 411-1



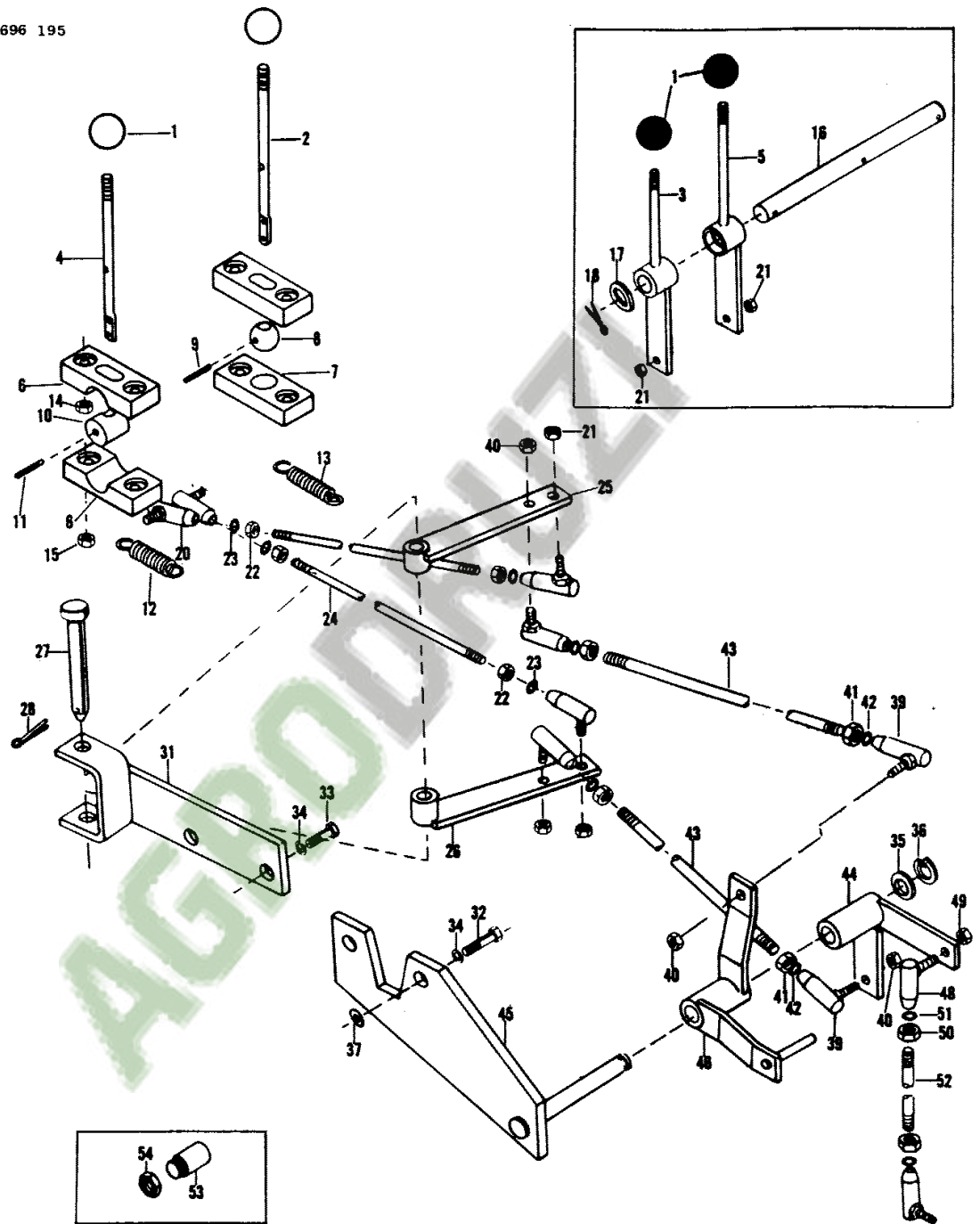
79-45

651 331 M95 (Issue 2) 5/79

THROTTLE CONTROL, FUEL SHUT-OFF

381

1696 195



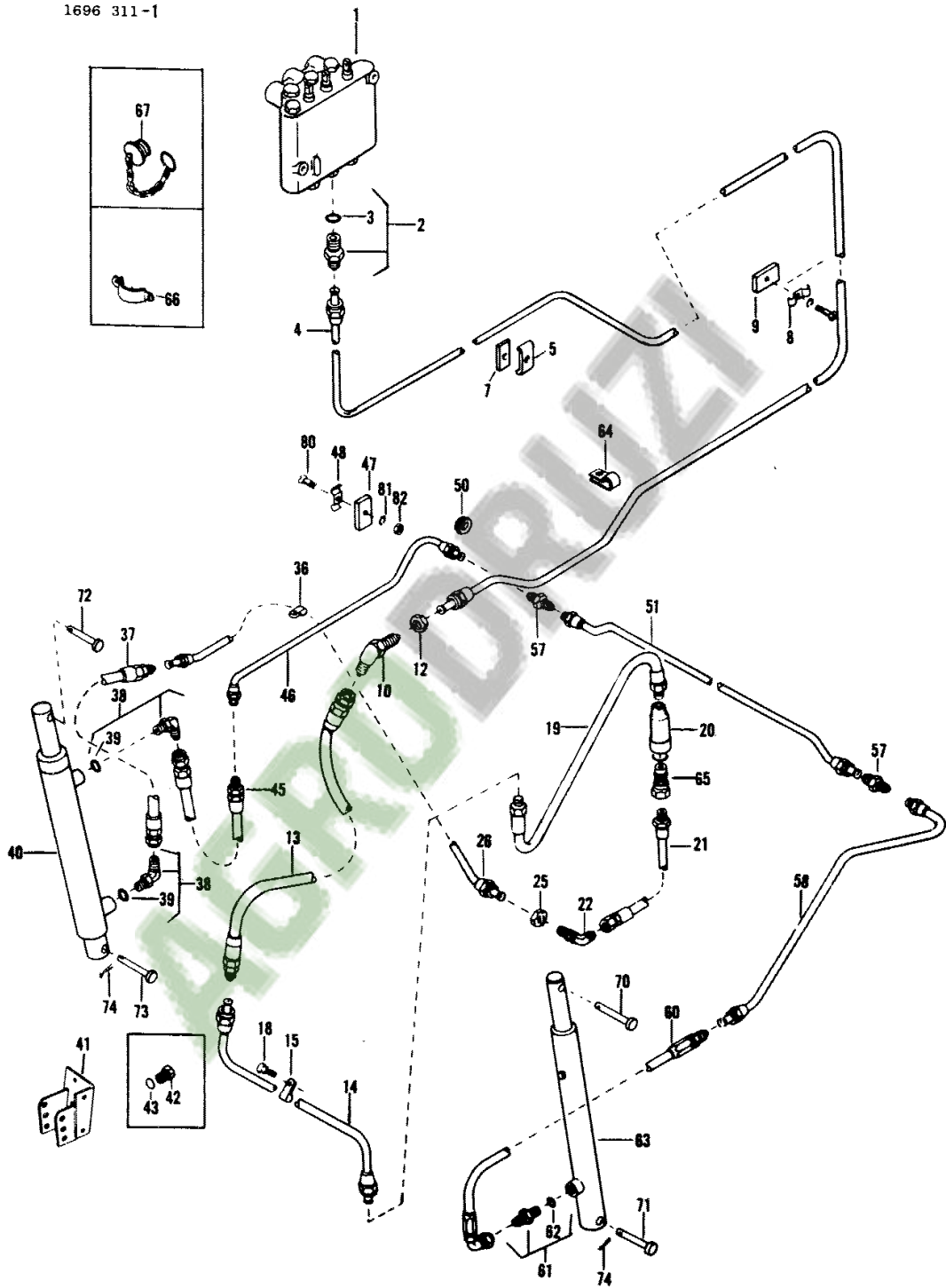
1st Print

651 331 M95 (Issue 1) 12/77

382

REEL LIFT HYDRAULICS

1696 311-1



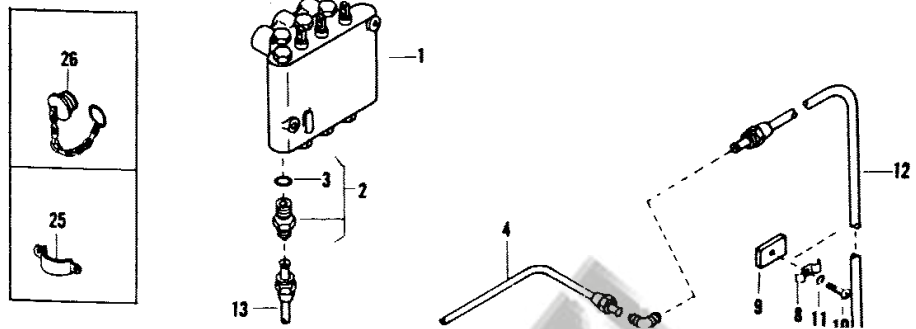
80-1

651 331 M95 (Issue 2) 11/79

REEL LIFT HYDRAULICS

385

1696 100-2



AGRO DRUZI

---

---

**AGRO DRUZI**

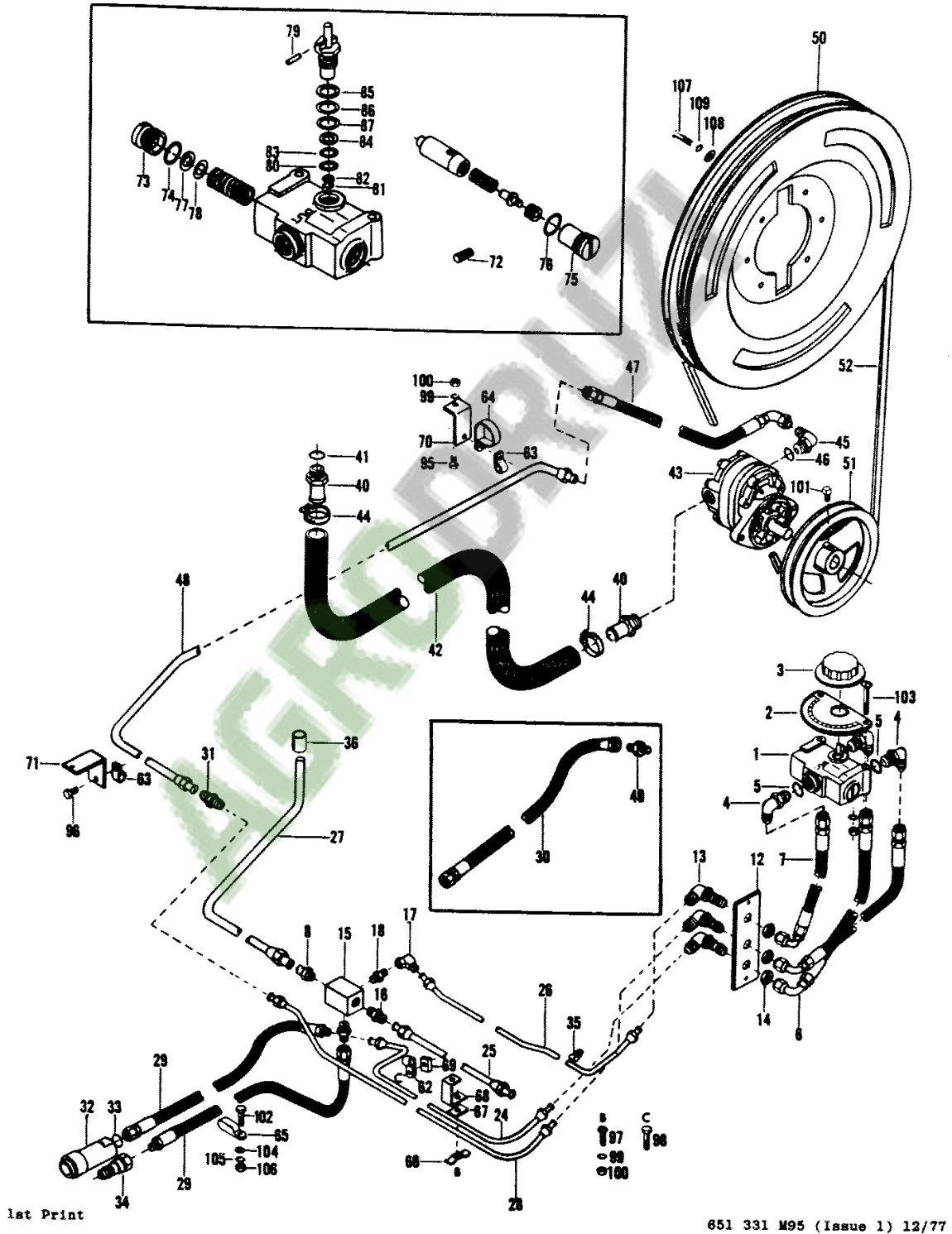


AGRO DRUZI

388

HYDROSTATIC VARIABLE SPEED REEL DRIVE

1696 217-1

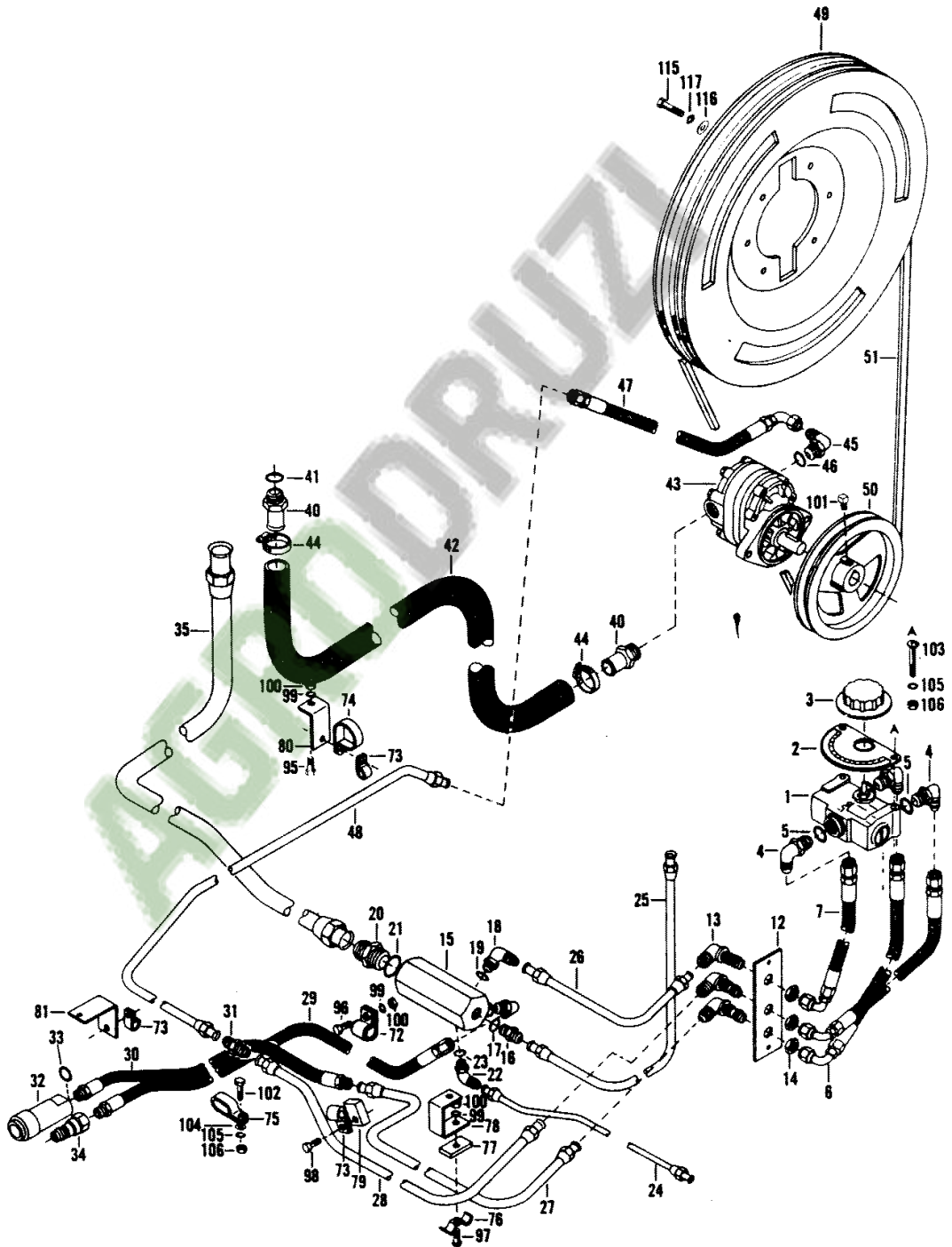


651 331 M95 (Issue 1) 12/77

HYDROSTATIC VARIABLE SPEED REEL DRIVE

389

1696 216-2



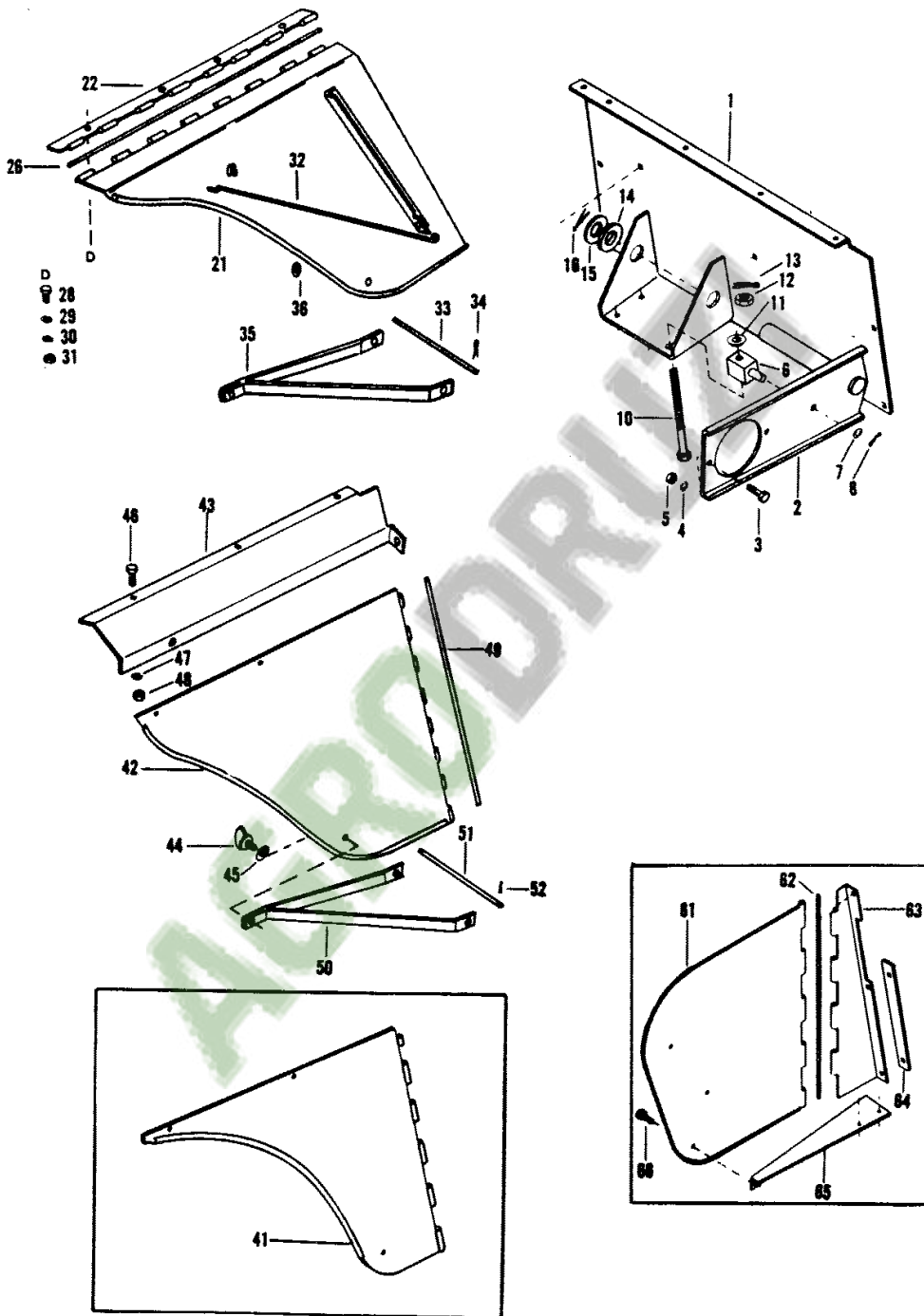
1st Print

651 831 M95 (Issue 1) 12/77

390

HYDROSTATIC REEL DRIVE HYDRAULICS

1696 279



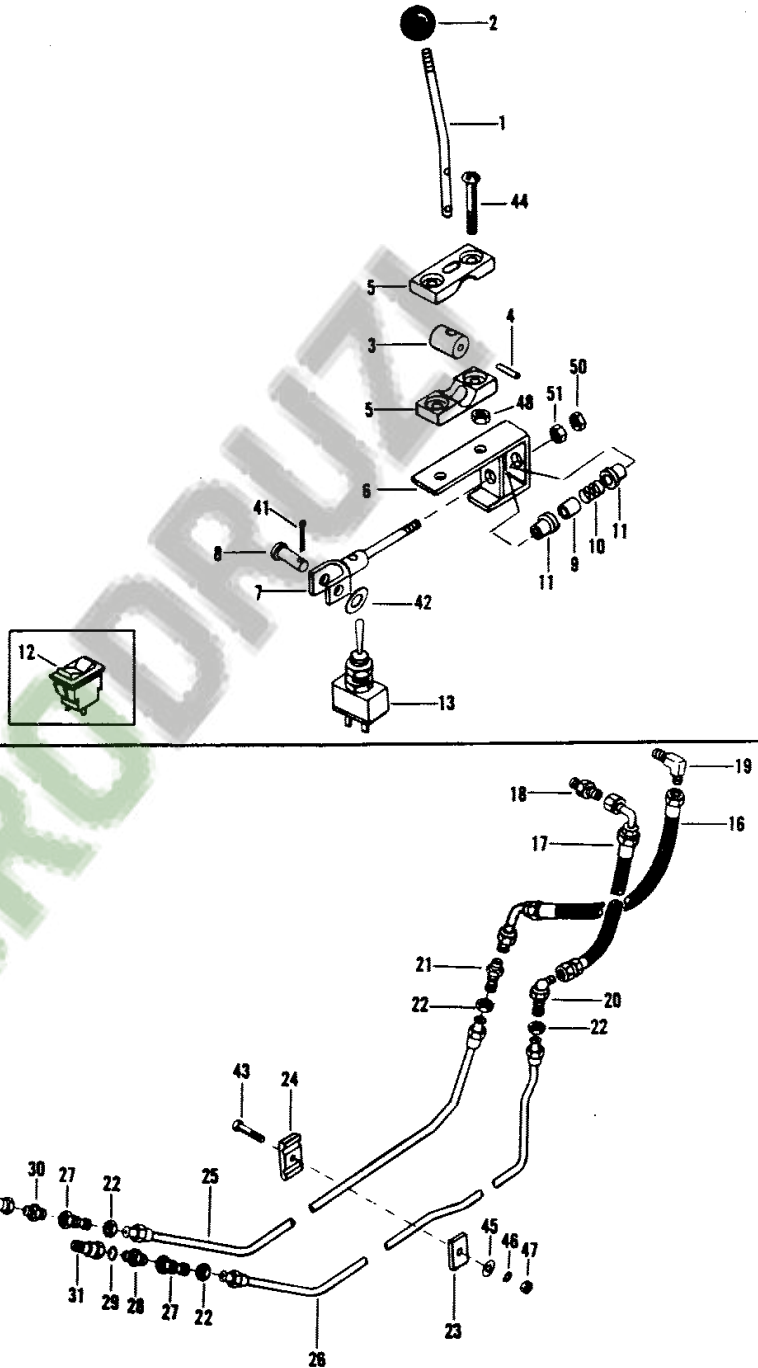
79-16

651 331 M95 (Issue 2) 2/79

HYDRAULIC CONTROL REEL FORE AND AFT

391B

1696 333-1



79-16

651 331 M95 (Issue 2)

391C

TABLE LIFT HYDRAULICS

1696 312 -1

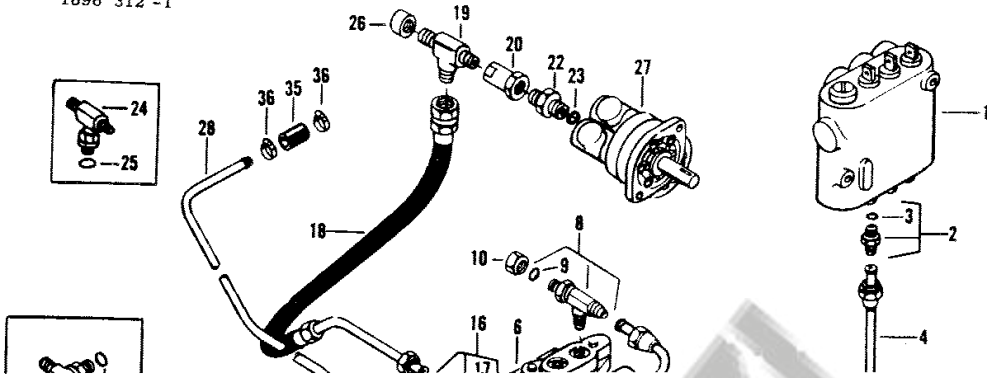
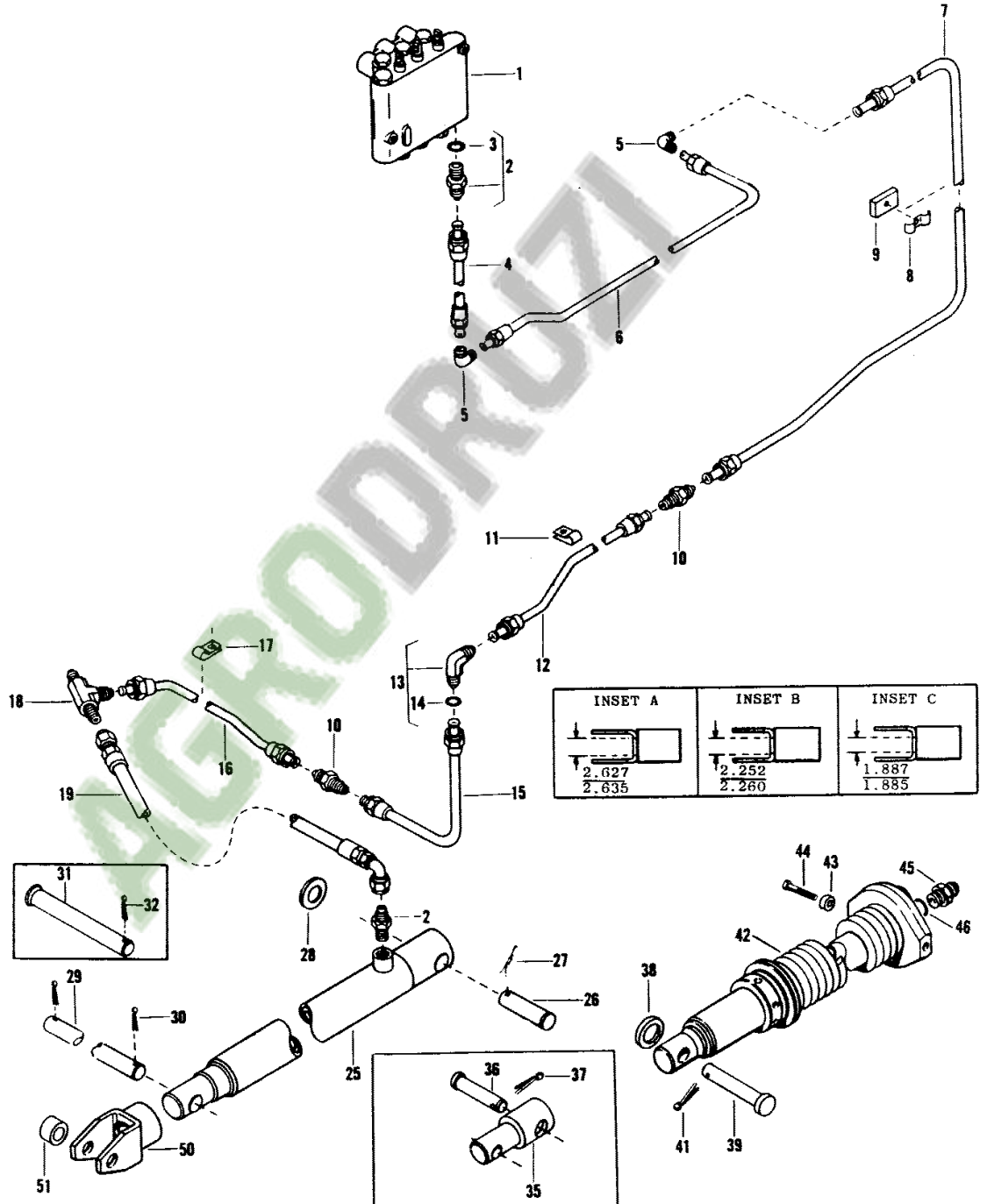


TABLE LIFT HYDRAULICS

393

1696 101-1



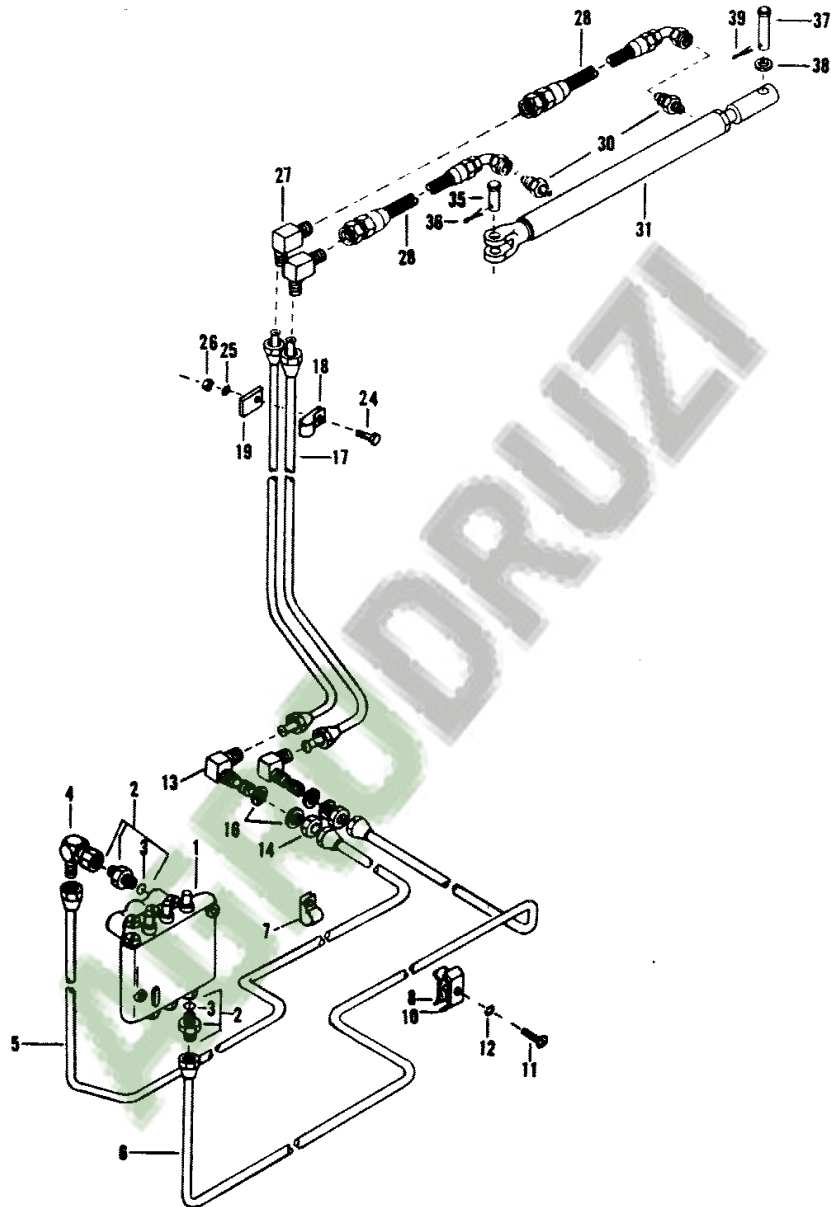
80-1

651 331 M95 (Issue 4) 11/79

394

TANK UNLOADER HYDRAULICS

1696 313



80-1

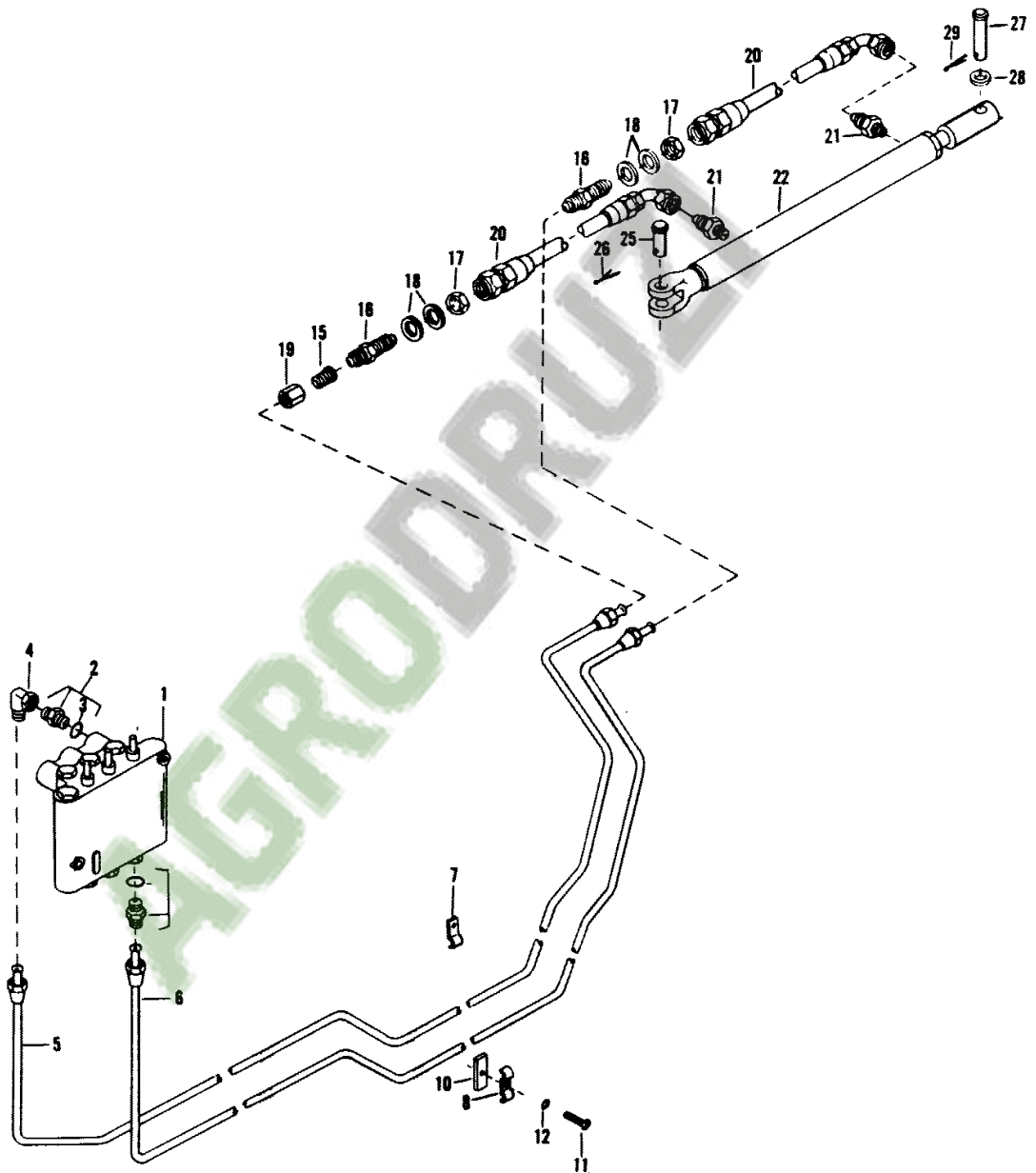
651 331 M95 (Issue 2) 11/79



TANK UNLOADER HYDRAULICS

397

1696 456



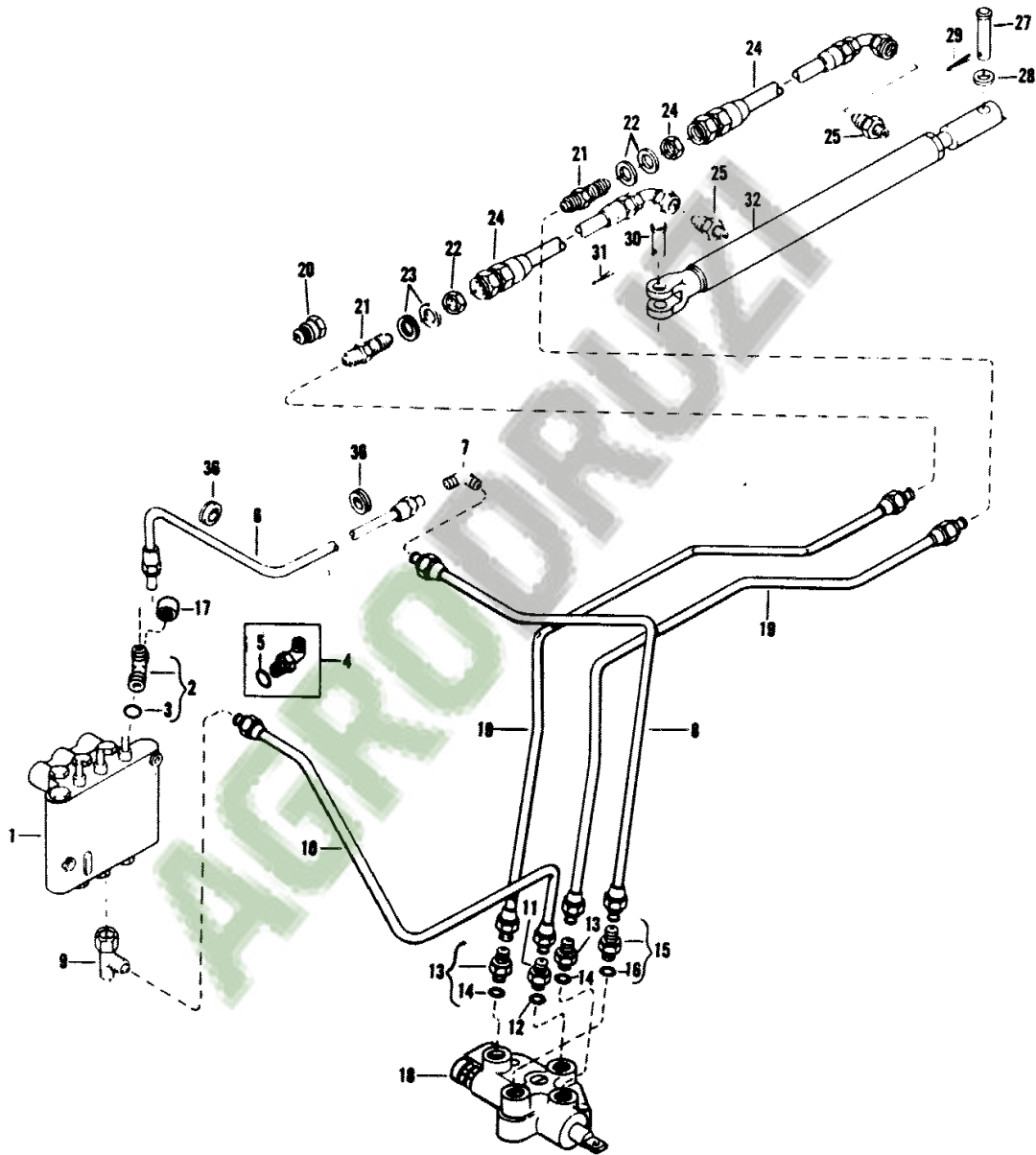
80-1

651 331 M95 (Issue 2) 11/79

398

TANK UNLOADER HYDRAULICS

1696 280



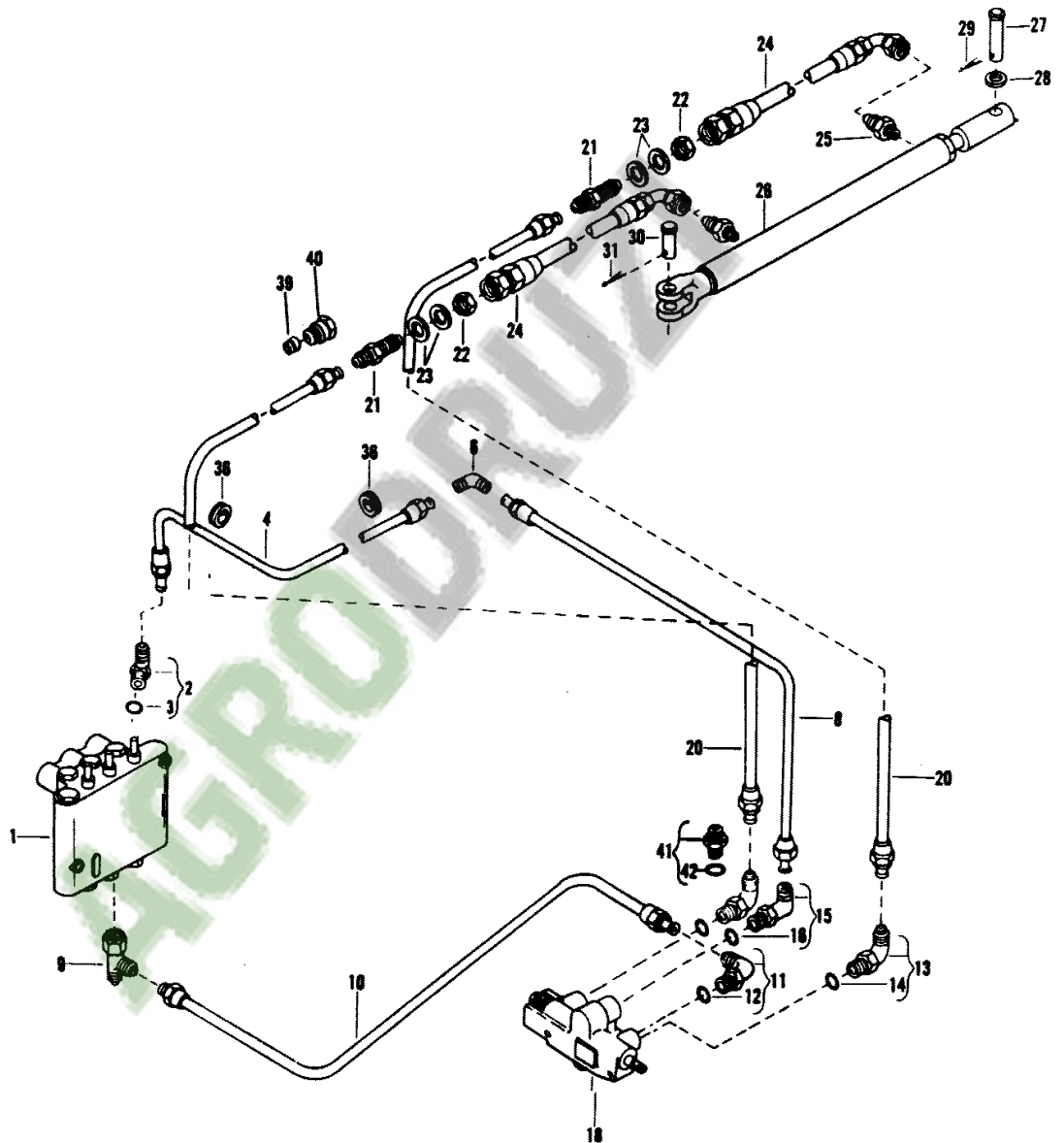
1st Print

651 331 M95 (Issue 1) 12/77

TANK UNLOADER HYDRAULICS

401

1696 102 -3



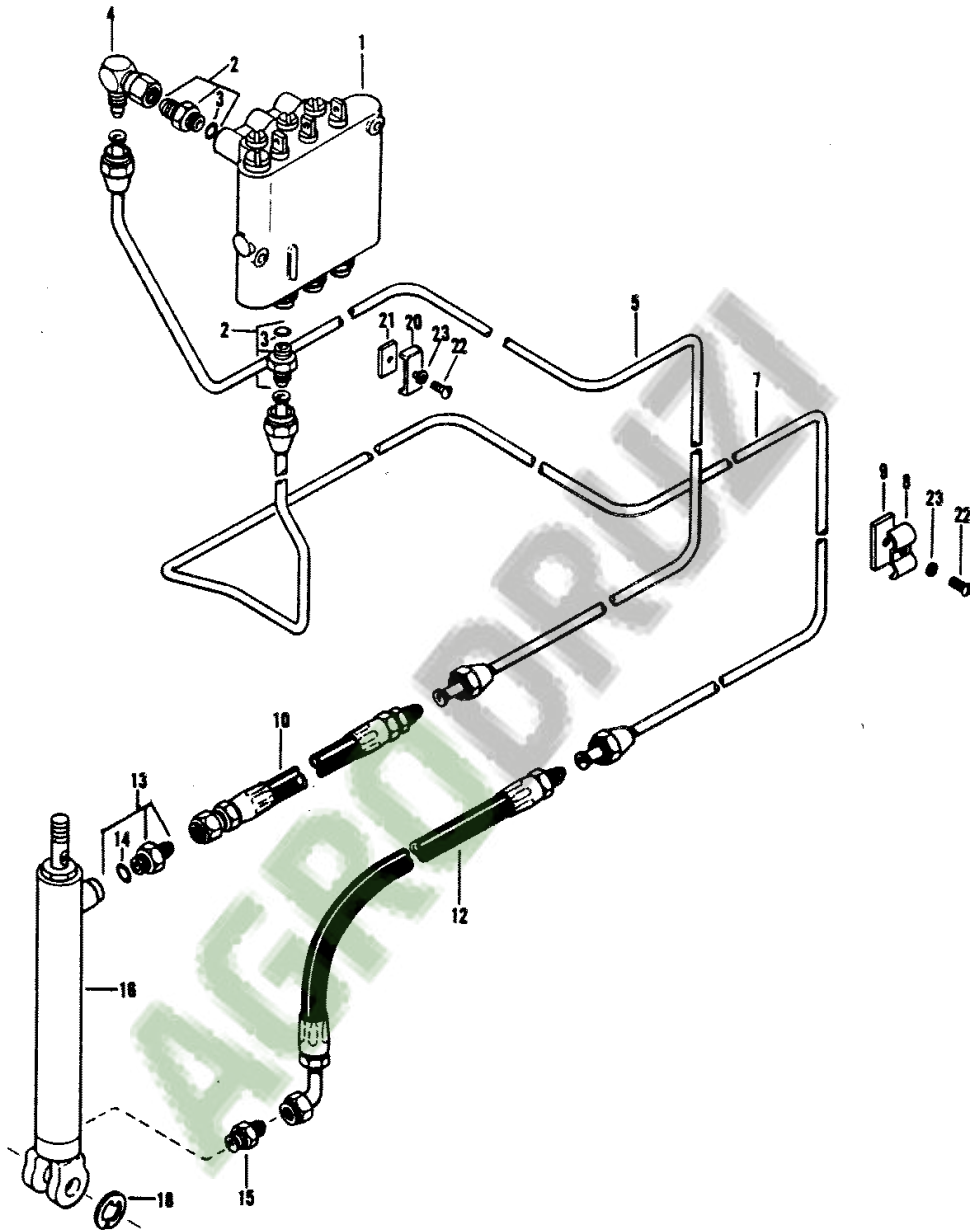
1st Print

651 331 M95 (Issue 1) 12/77

402

VARIABLE SPEED HYDRAULICS

1696 314



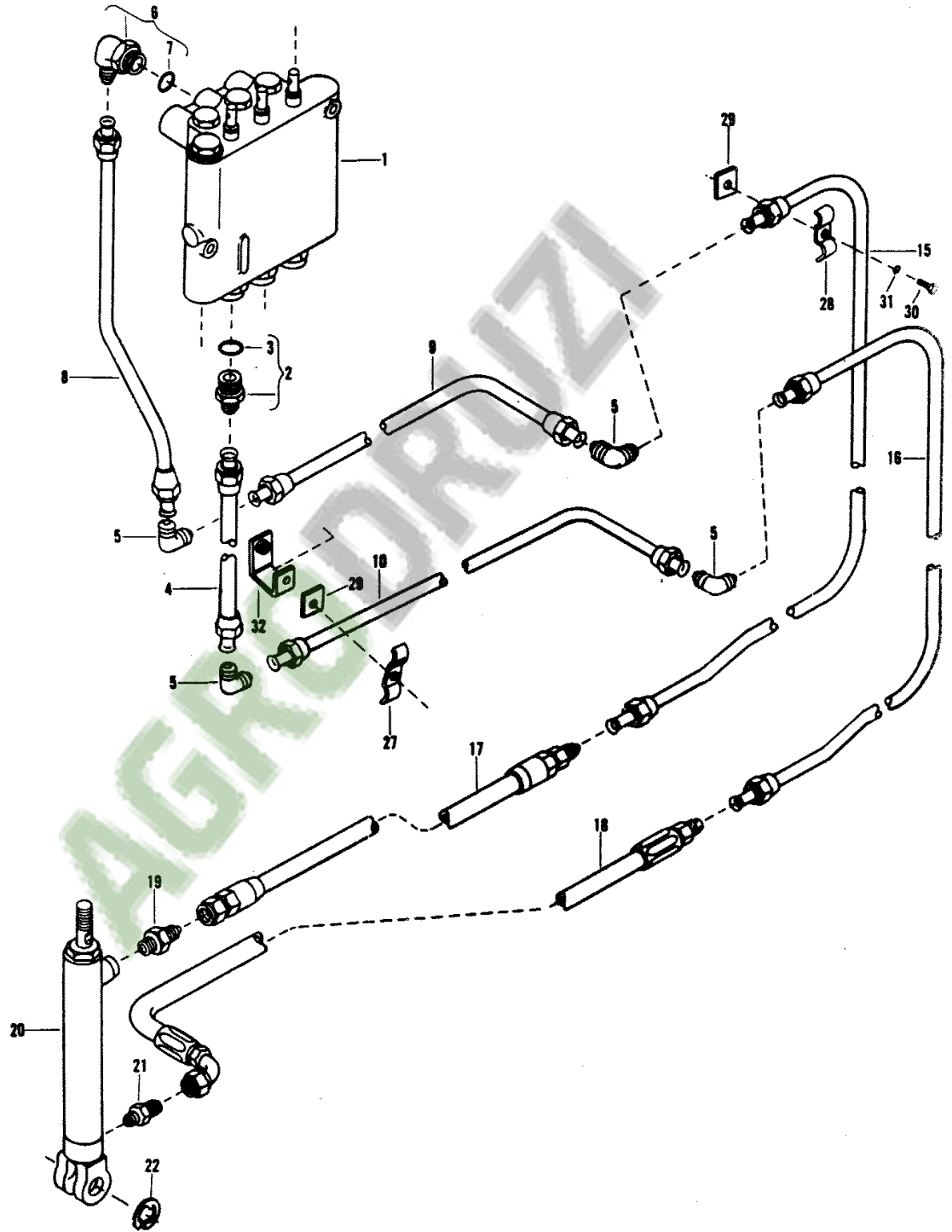
1st Print

651 331 M95 (Issue 1) 12/77

VARIABLE SPEED HYDRAULICS

405

1696 103-1



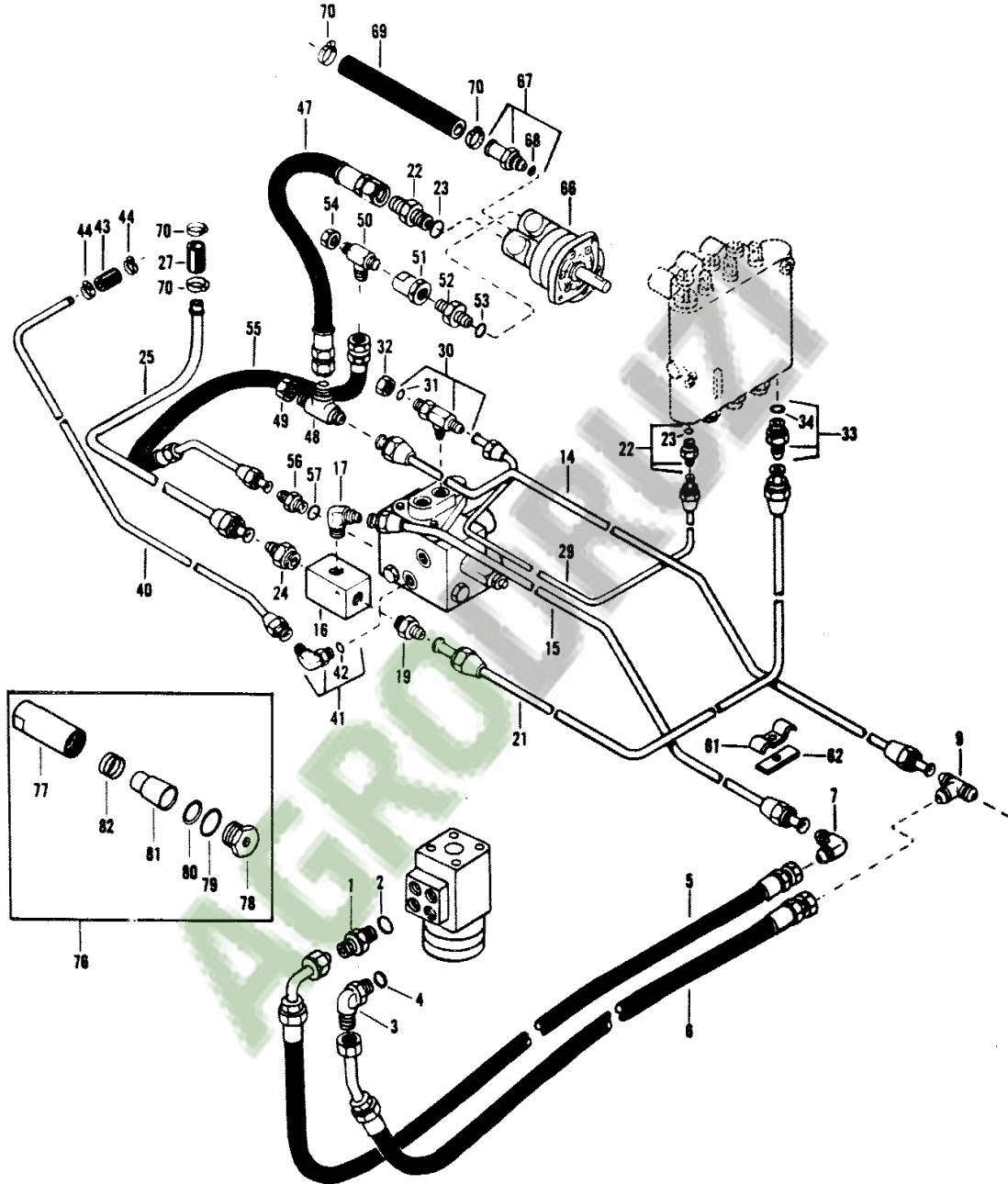
1st Print

651 331 M95 (Issue 1) 12/07

405A

HYDRAULIC PRESSURE AND RETURN LINES

1696 413-1



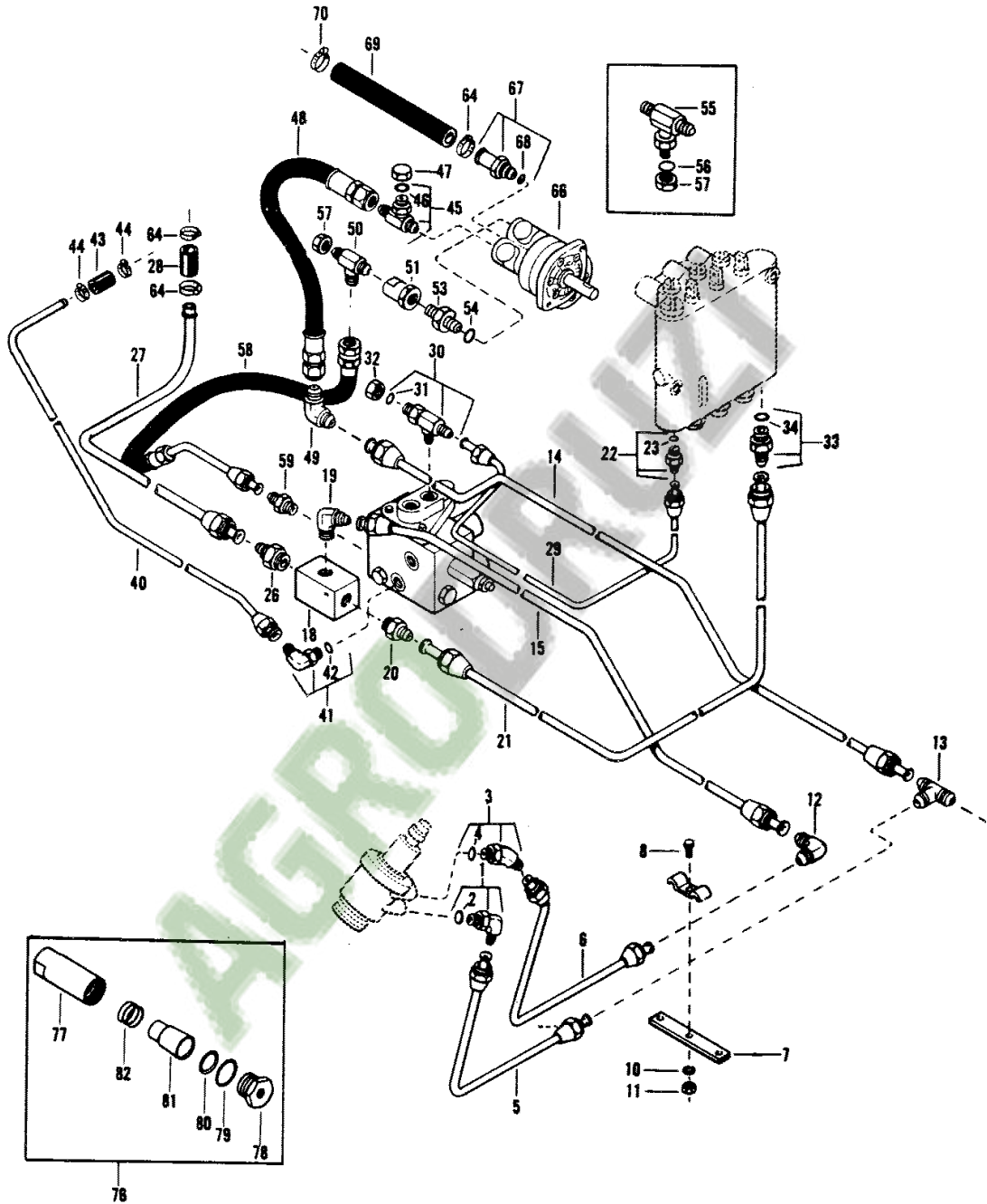
79-45

651 331 M95 (Issue 2) 5/79

406

HYDRAULIC PRESSURE AND RETURN LINES

1696 315-2



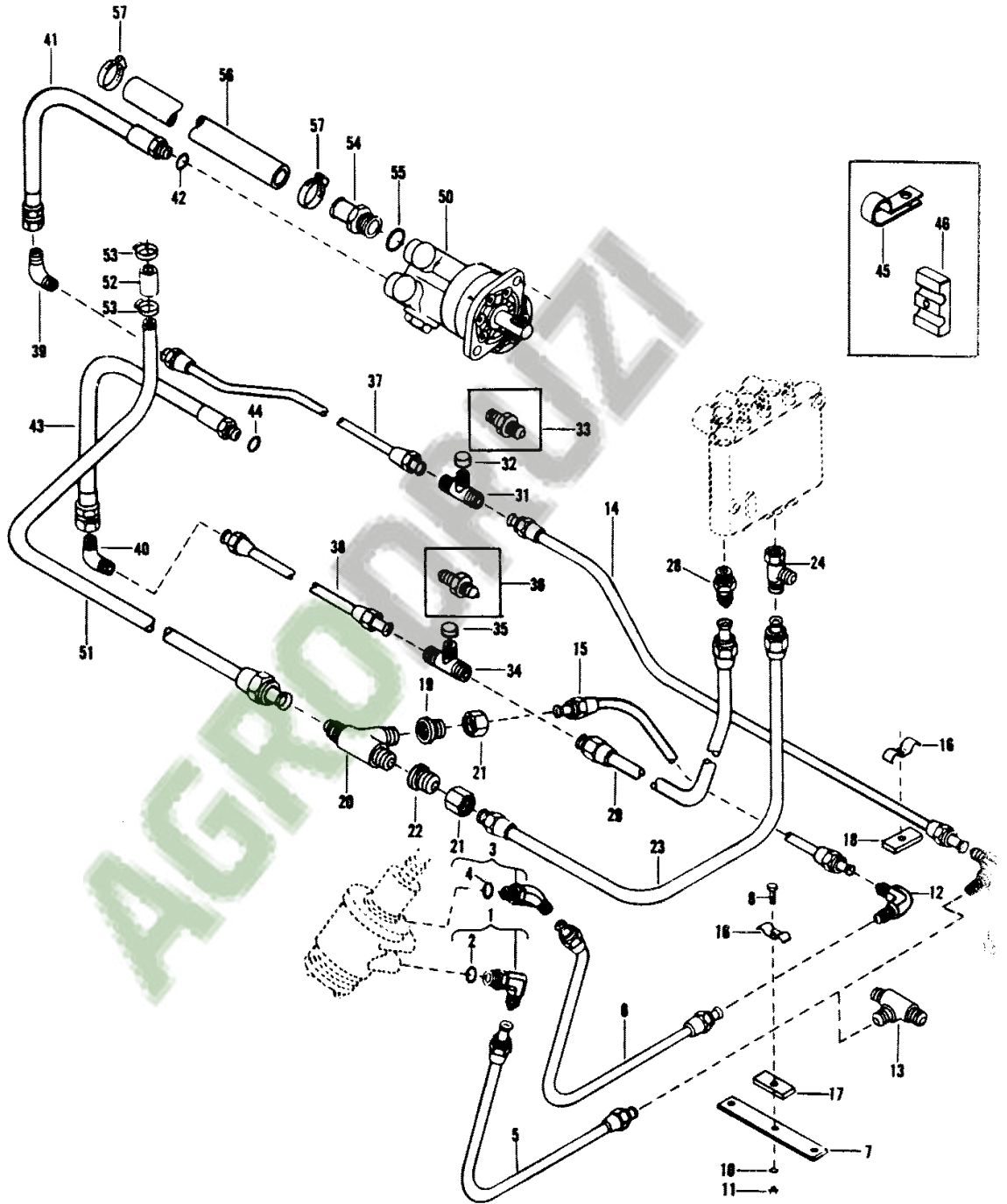
79-45

651 331 M95 (Issue 3) 5/79

HYDRAULIC PRESSURE AND RETURN LINES

409

1696 281



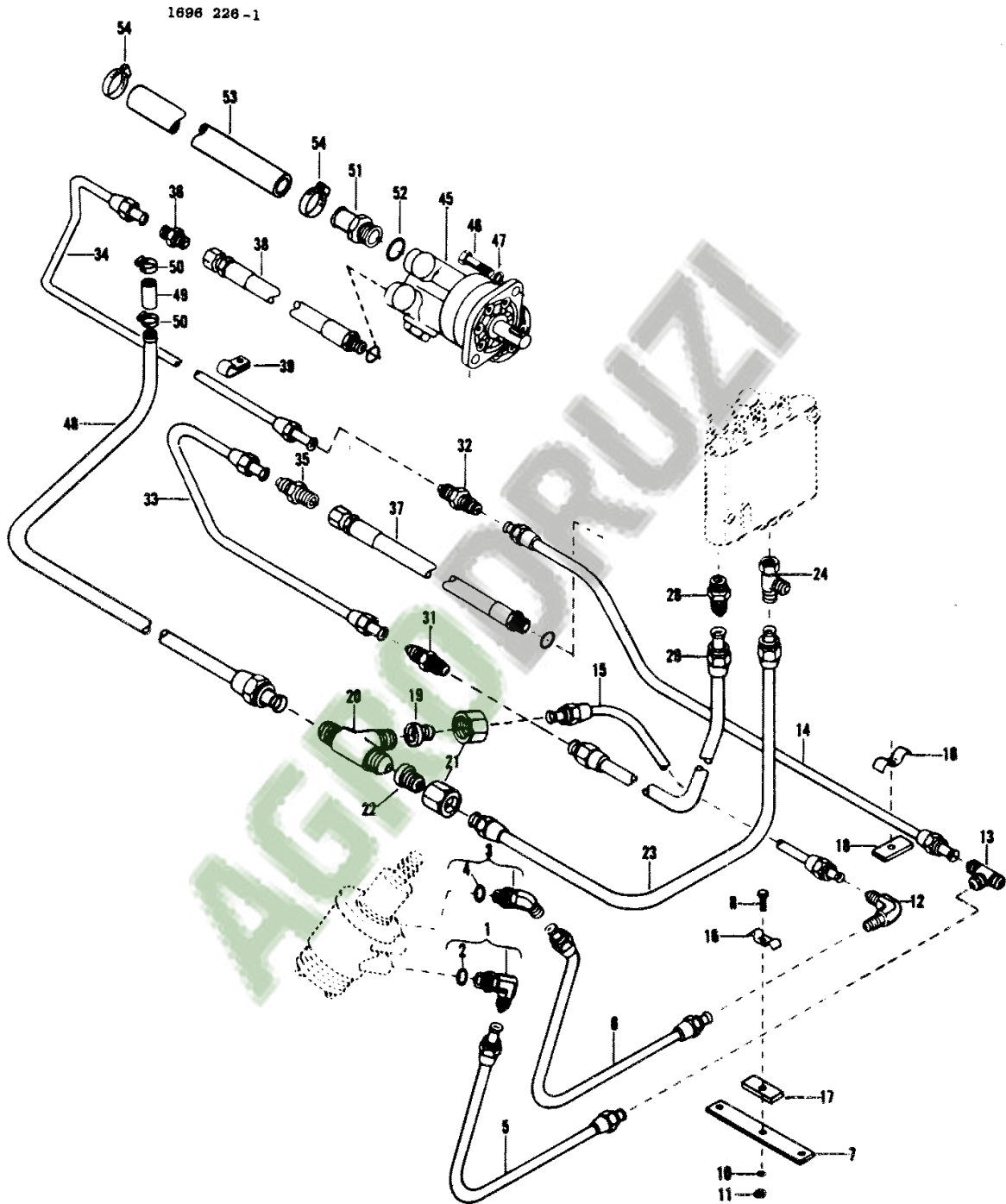
1st Print

651 331 M95 (Issue 1) 12/79



410

HYDRAULIC PRESSURE AND RETURN LINES



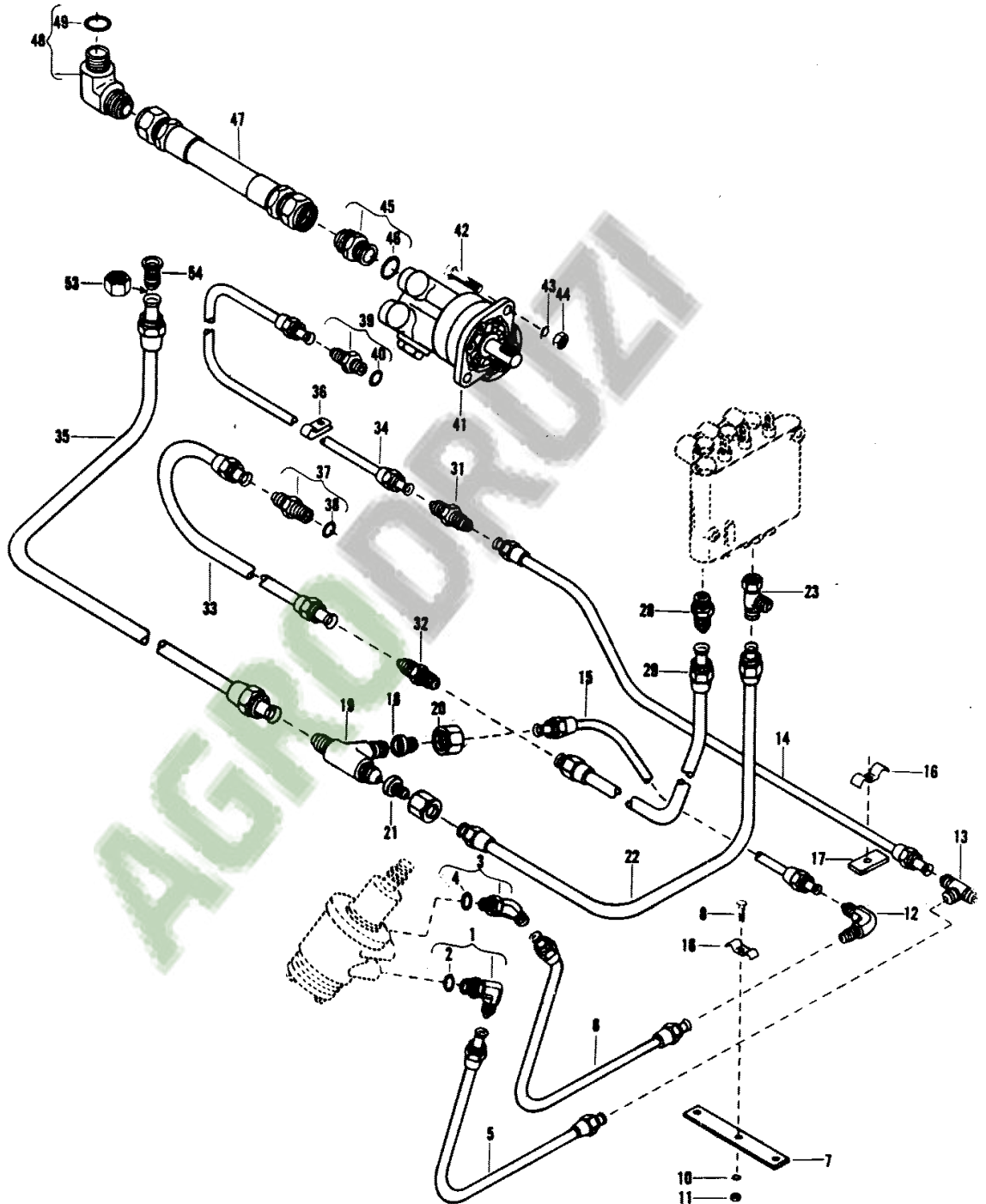
1st Print

22. 031 M95 (Issue 1) 12/77

HYDRAULIC PRESSURE AND RETURN LINES

413

1696 104-1



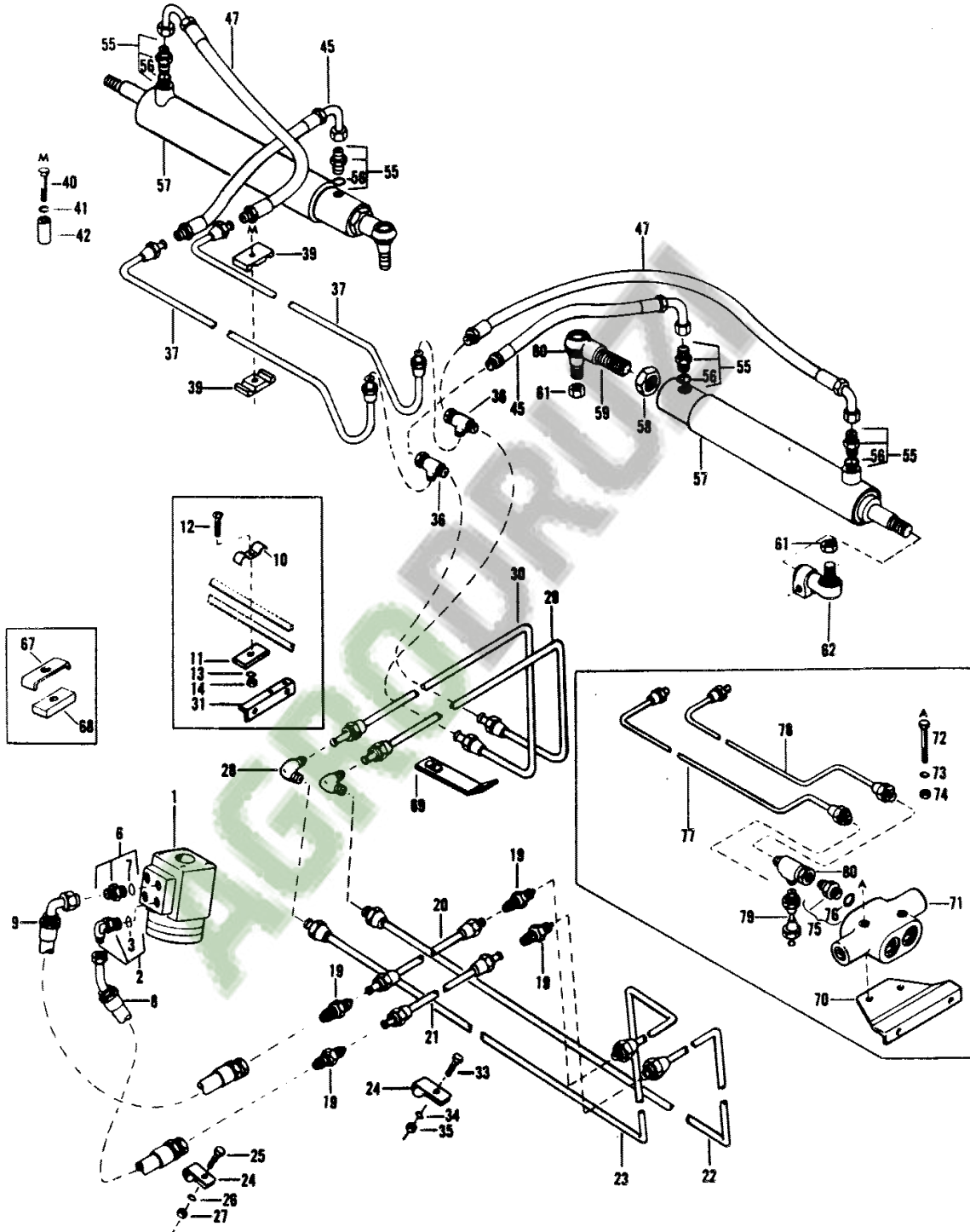
1st Print

651 331 M95 (Issue 1) 12/77

413A

STEERING HYDRAULICS

1696 114



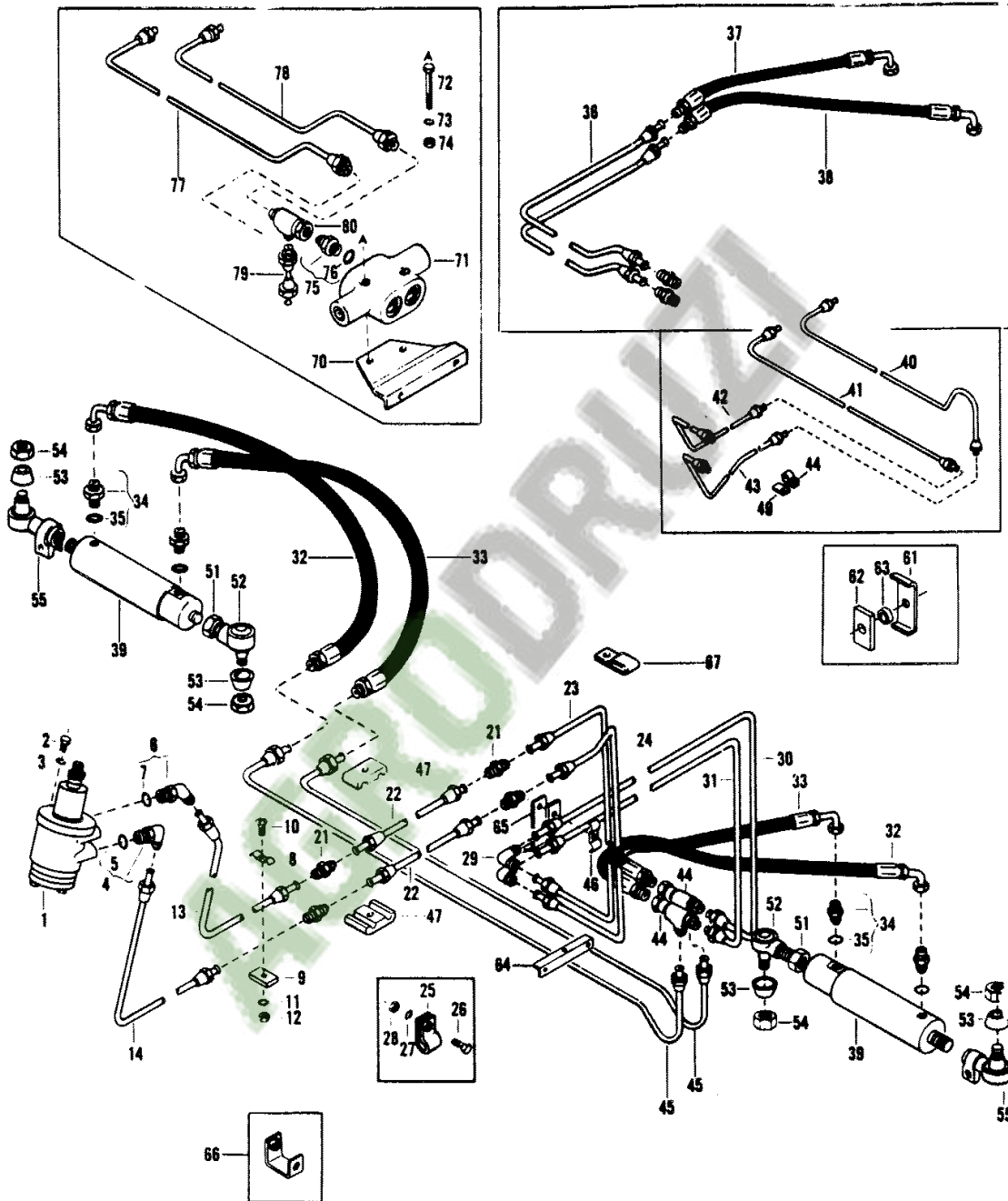
79-16

651 331 M95 (Issue 1) 2/79

414

STEERING HYDRAULICS

1696 316



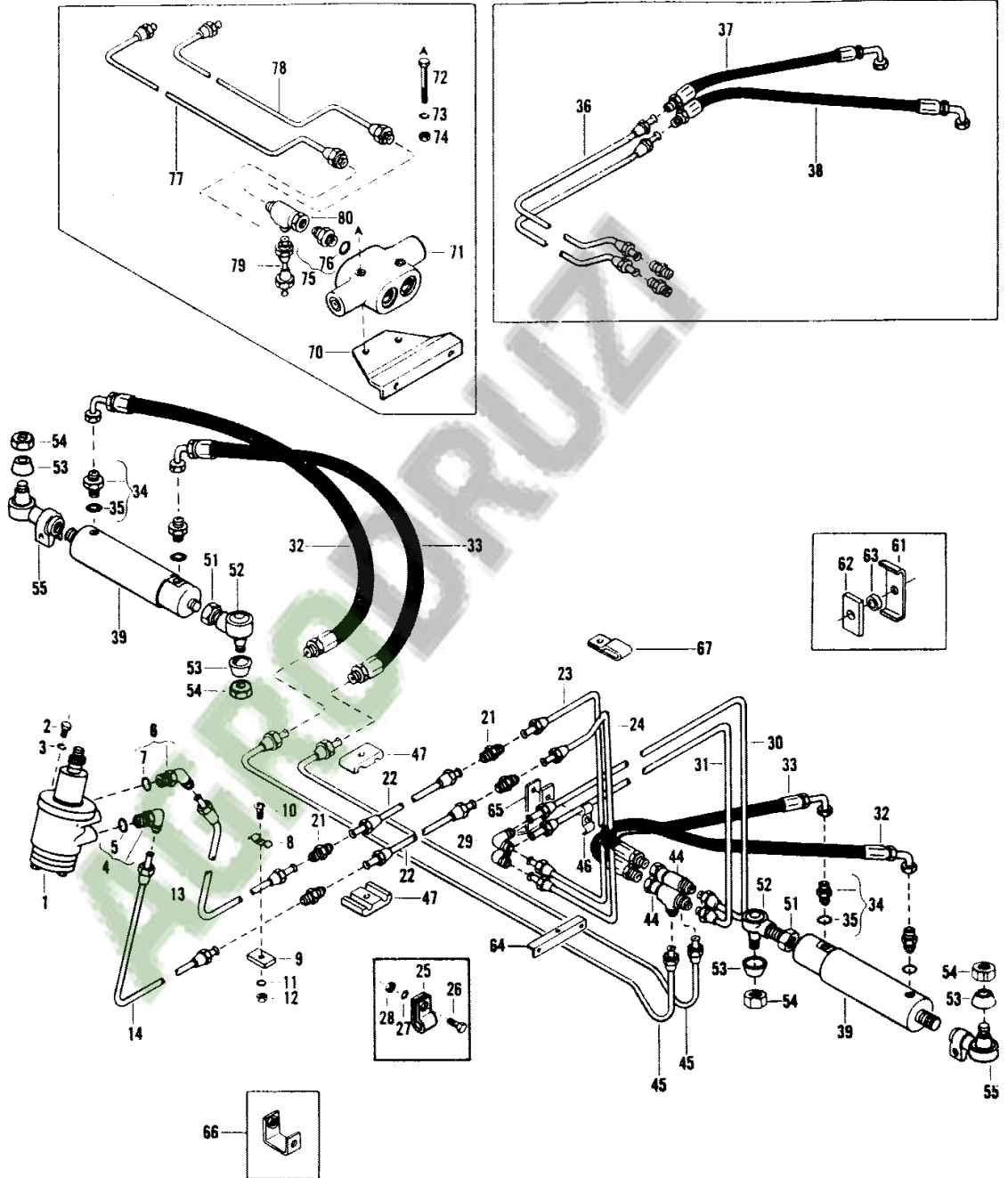
1st Print

651 331 M95 (Issue 1) 12/77

STEERING HYDRAULICS

417

1696 196 - 2



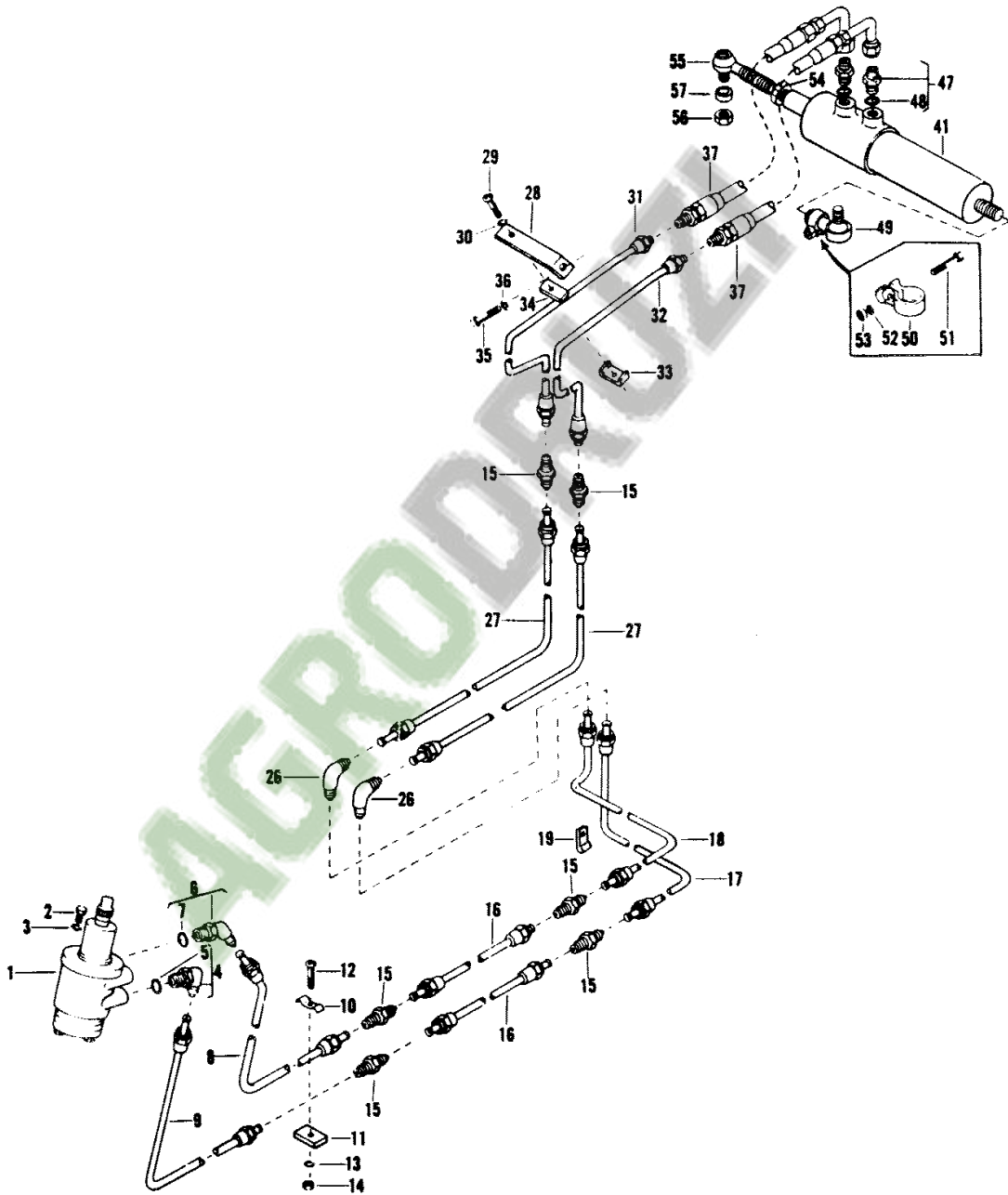
1st Print

651 331 M95 (Issue 1) 12/

418

STEERING HYDRAULICS

1696 105-1



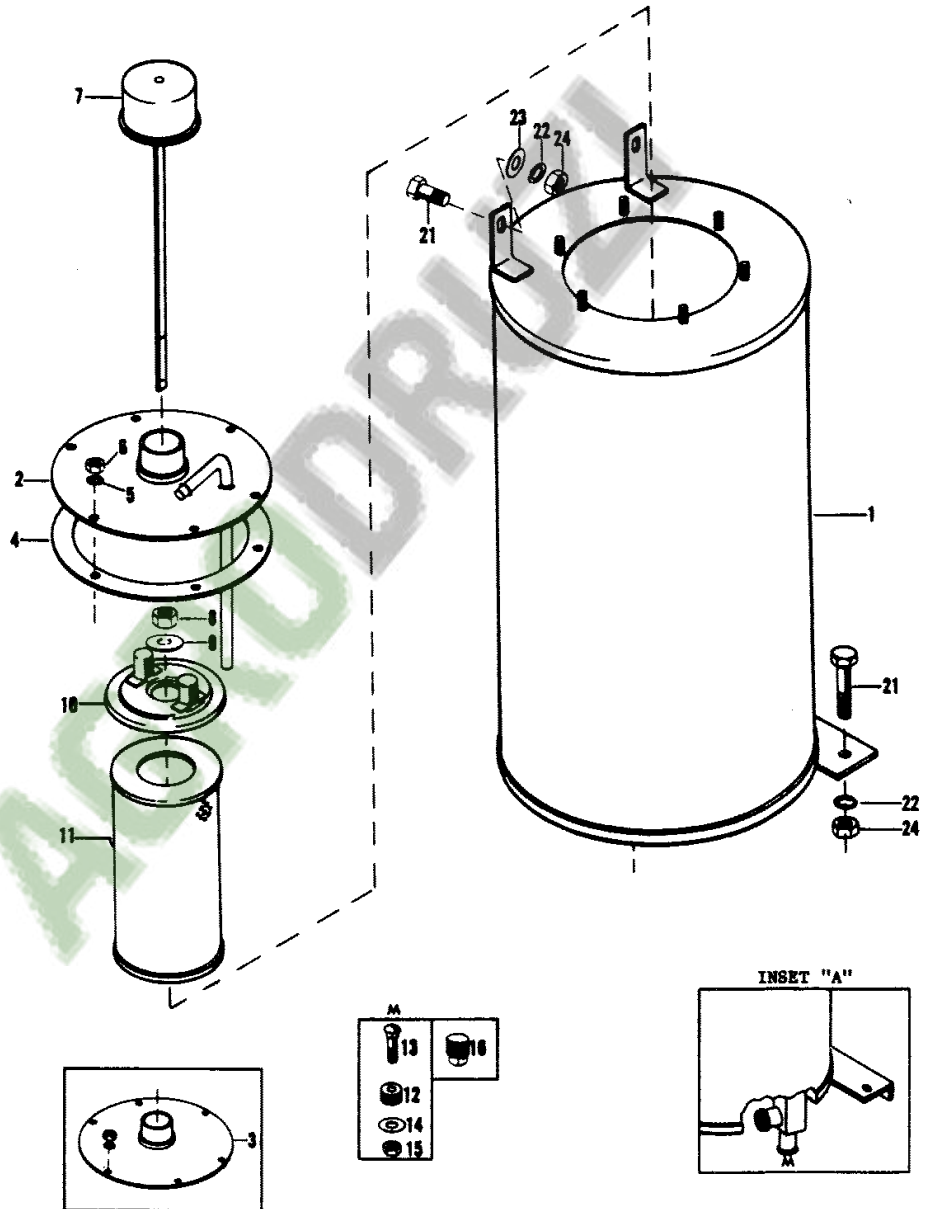
1st Print

651 331 M95 (Issue 1) 12/77

HYDRAULIC TANK

421

1696 106-1



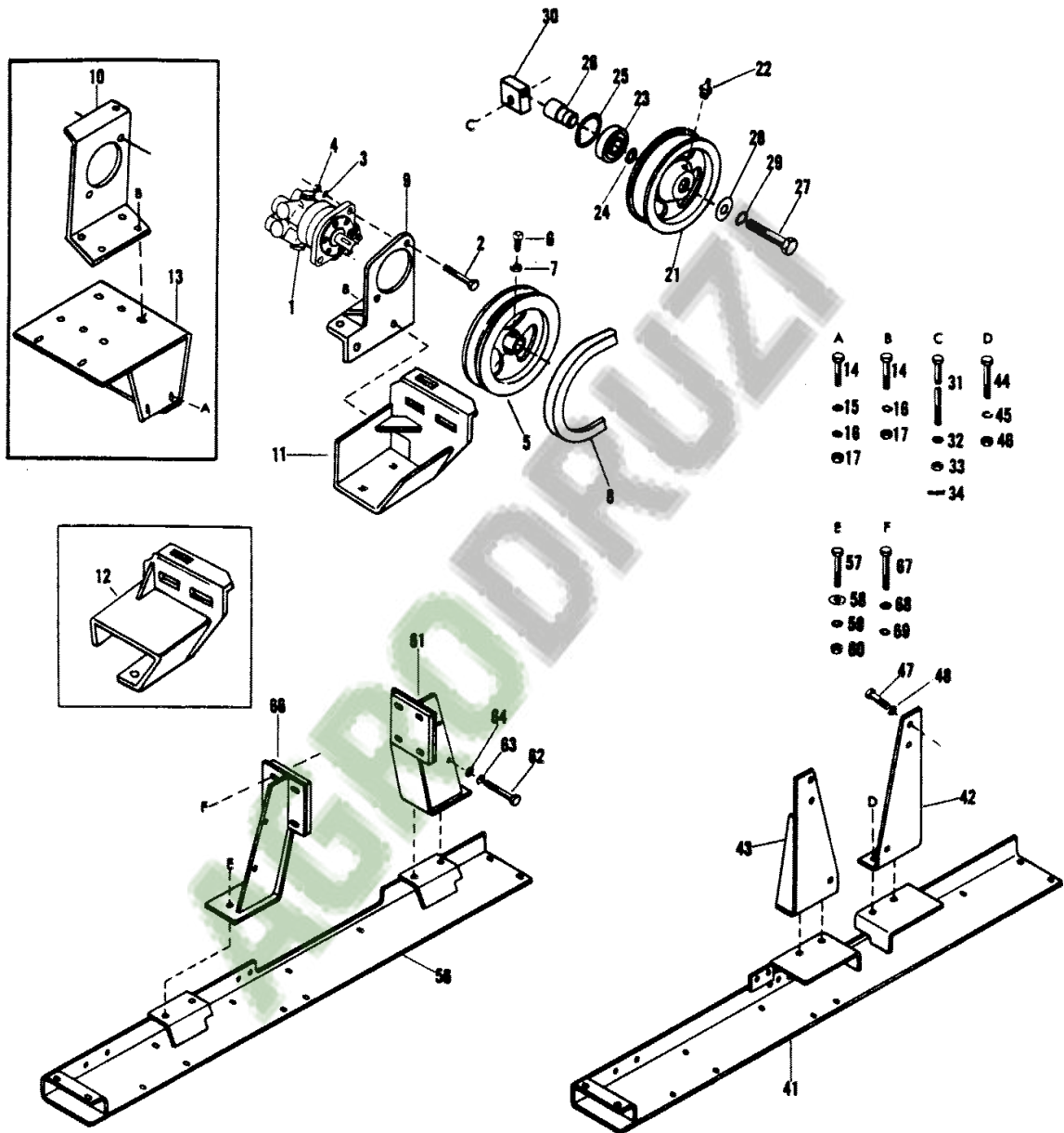
1st Print

651 331 M95 (Issue 1) 12/00

422

HYDRAULIC PUMP DRIVE AND ENGINE SUPPORTS

1696 107-1



1st Print

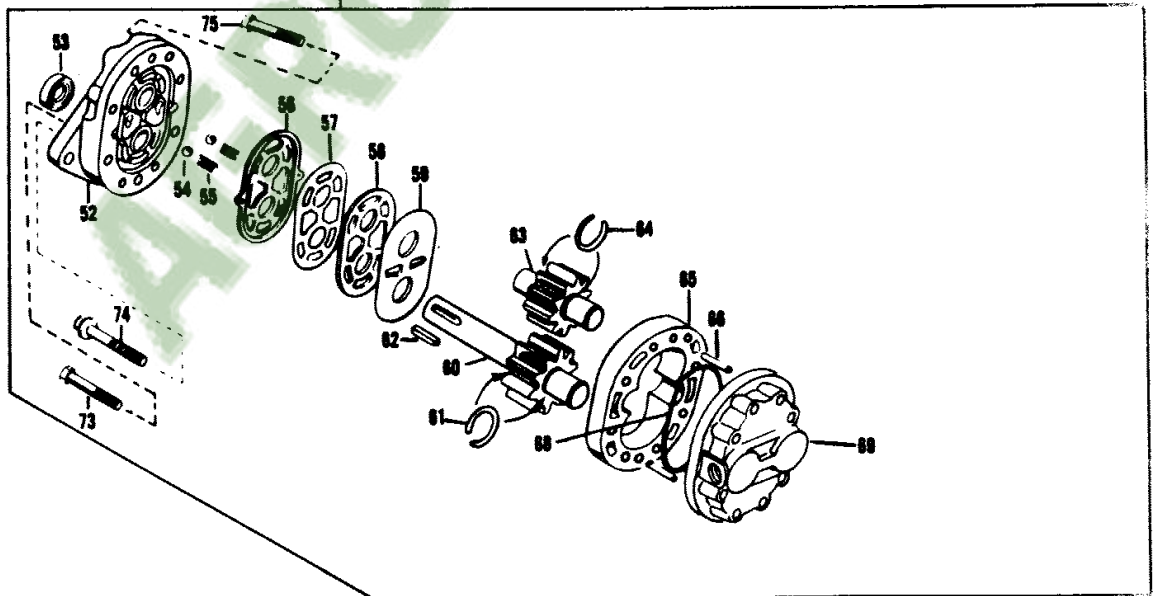
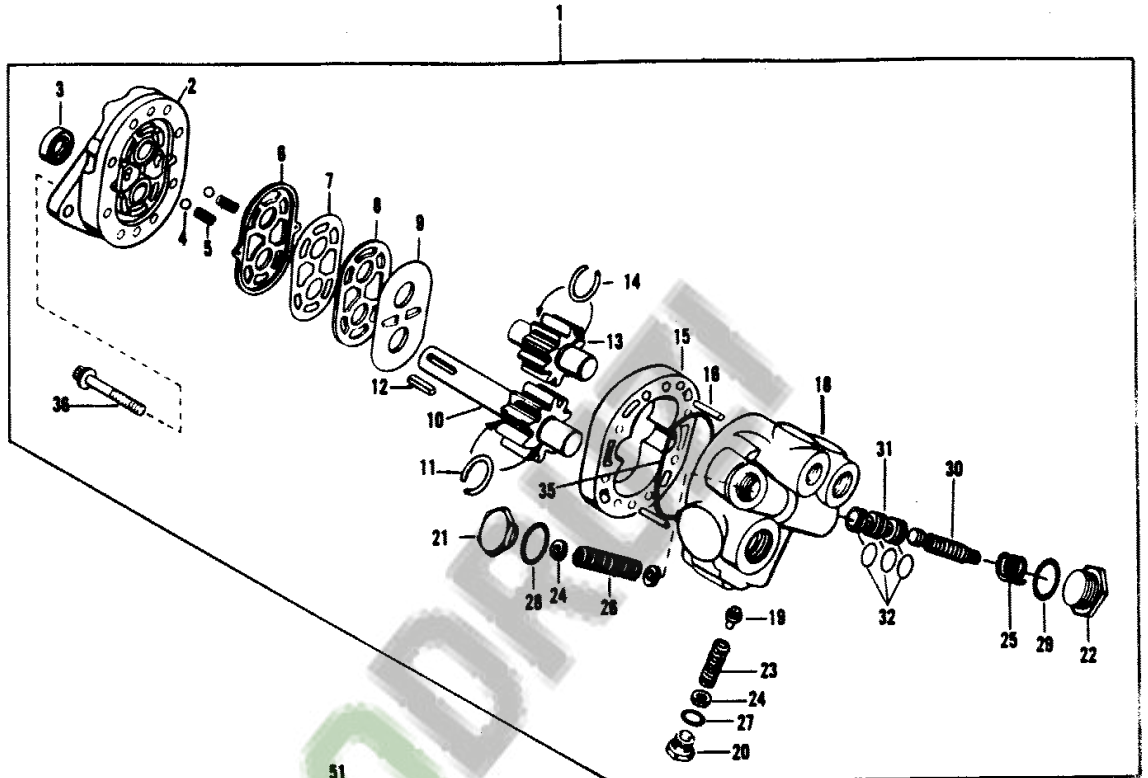
651 331 M95 (Issue 1) 12/77



HYDRAULIC OIL PUMP

425

1696 108-2



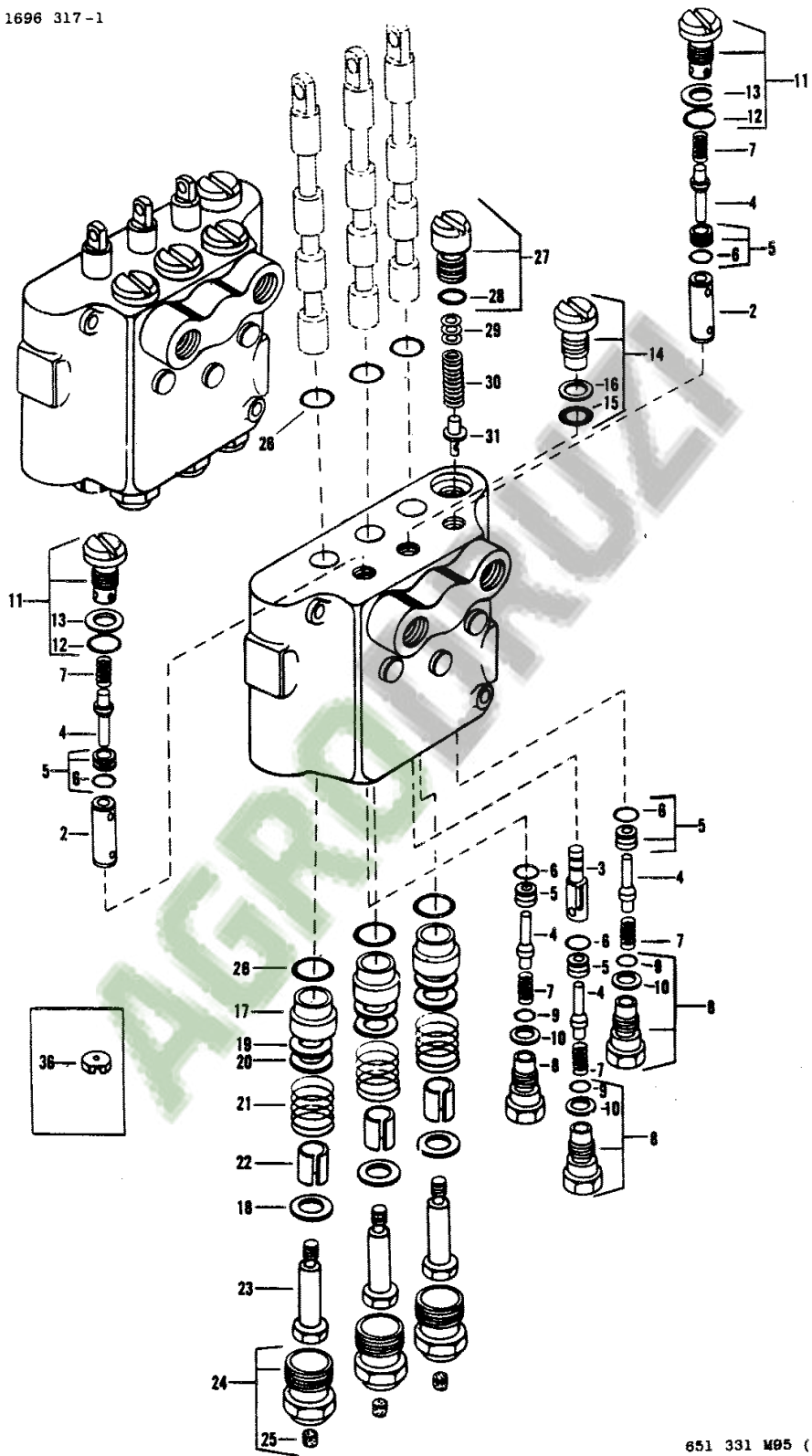
78-85

651 331 M95 (Issue 2) 8/71

426

MAIN CONTROL VALVE

1696 317-1



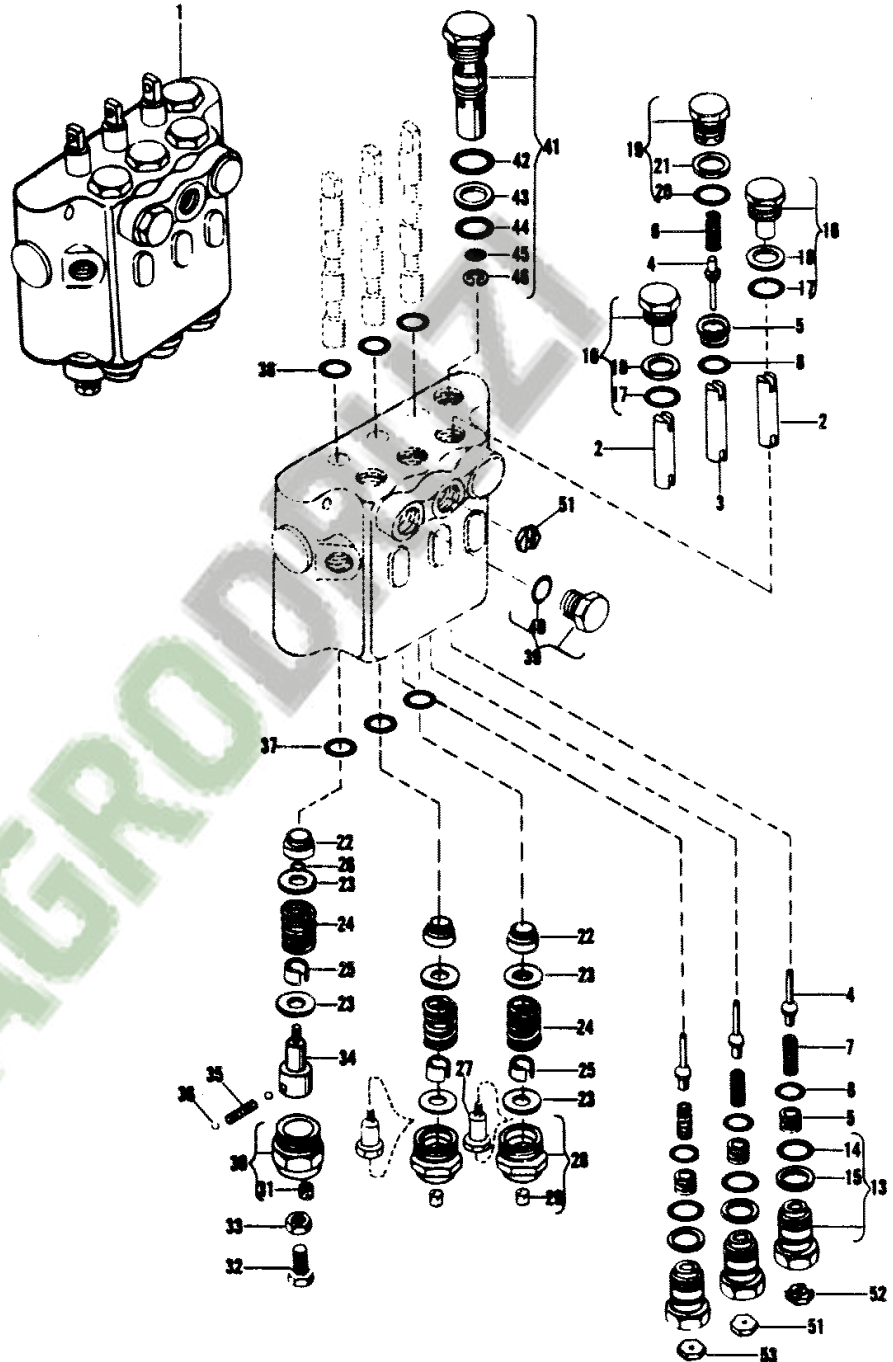
79-45

651 331 M05 (Issue 2) 5/79

HYDRAULIC CONTROL VALVE

429

1696 282



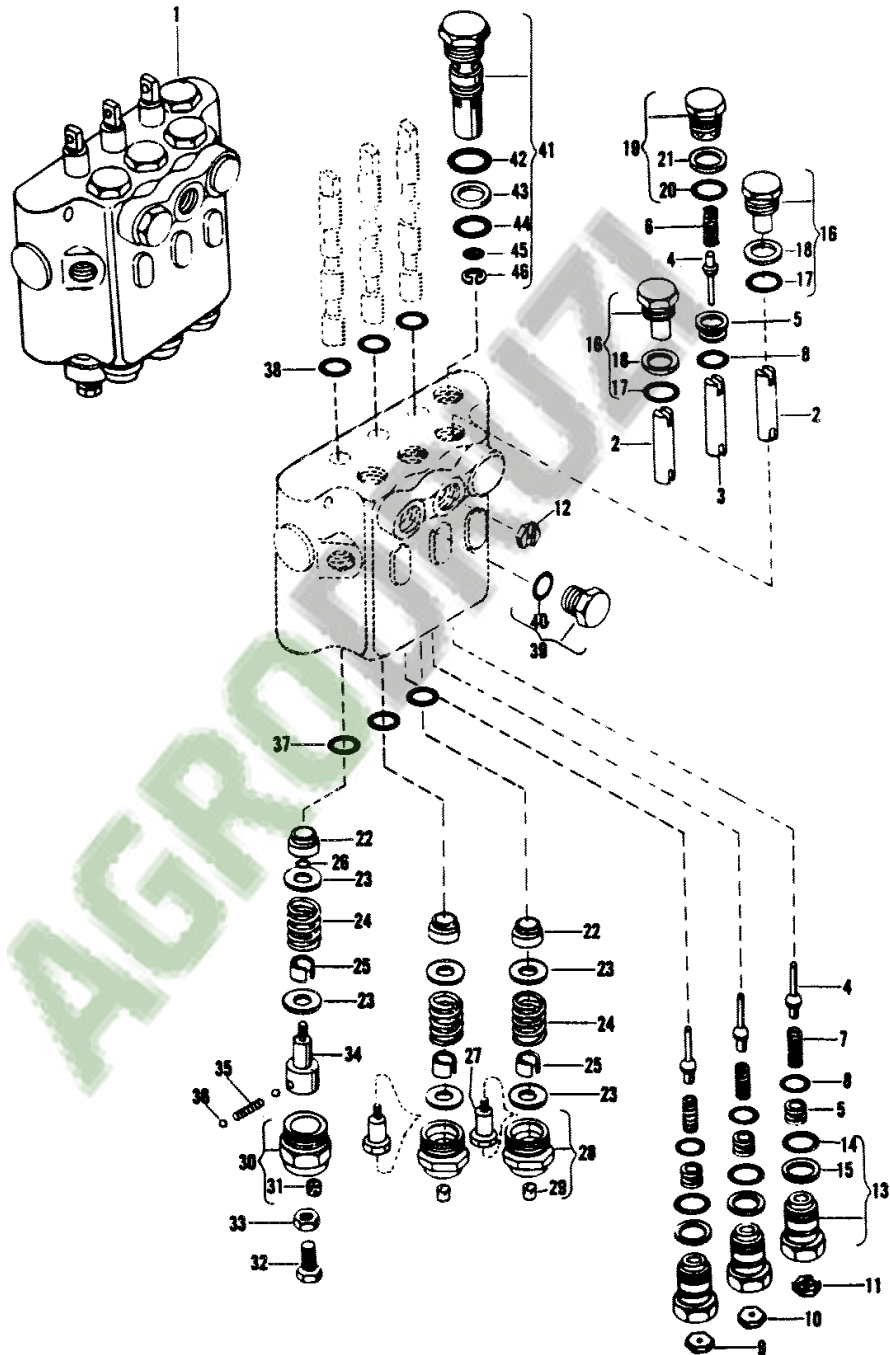
1st Print

651 331 M95 (Issue 1) 12/76

430

HYDRAULIC CONTROL VALVE

1696 109-1



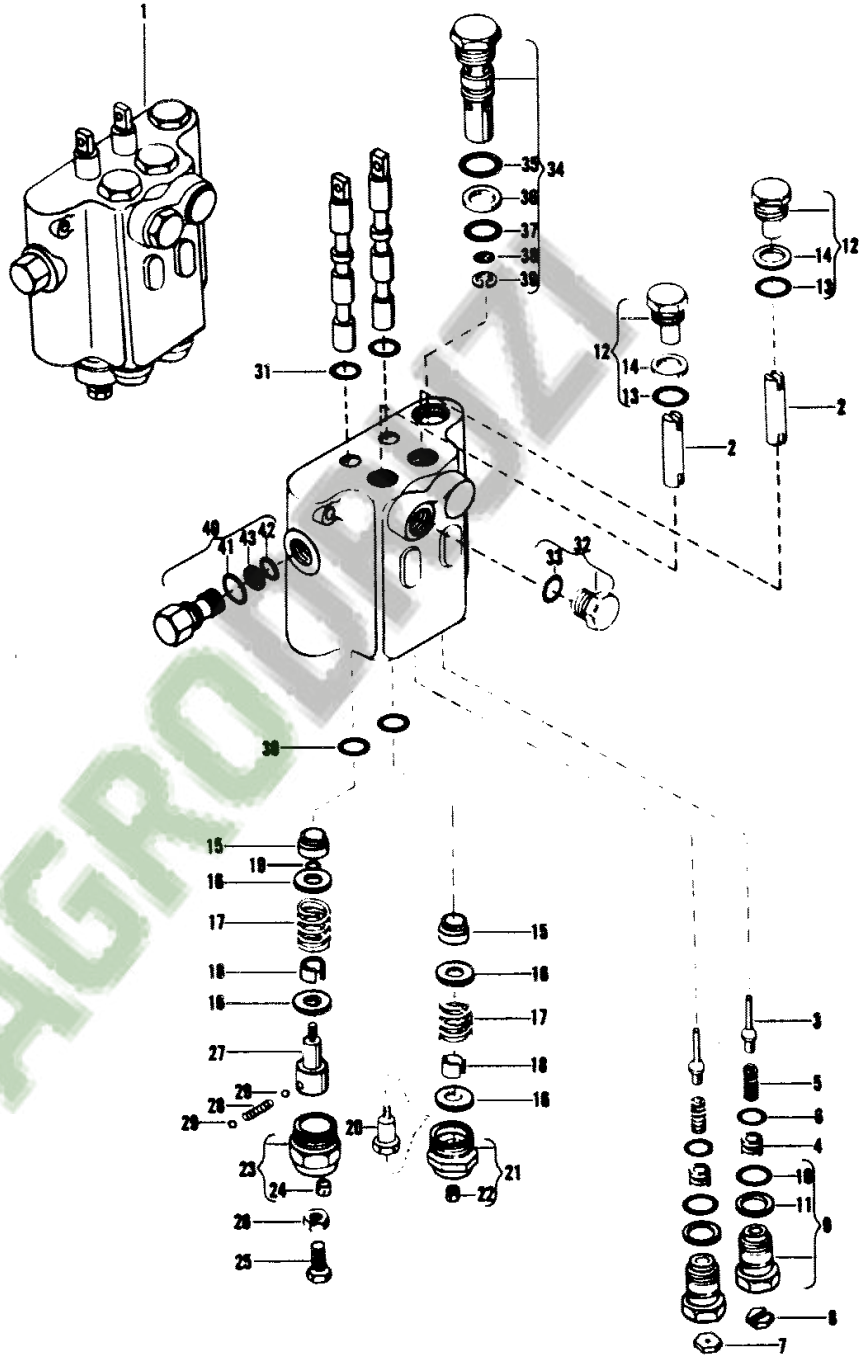
1st Print

651 331 M95 (Issue 1) 12/77

HYDRAULIC CONTROL VALVE

433

1696 110-1



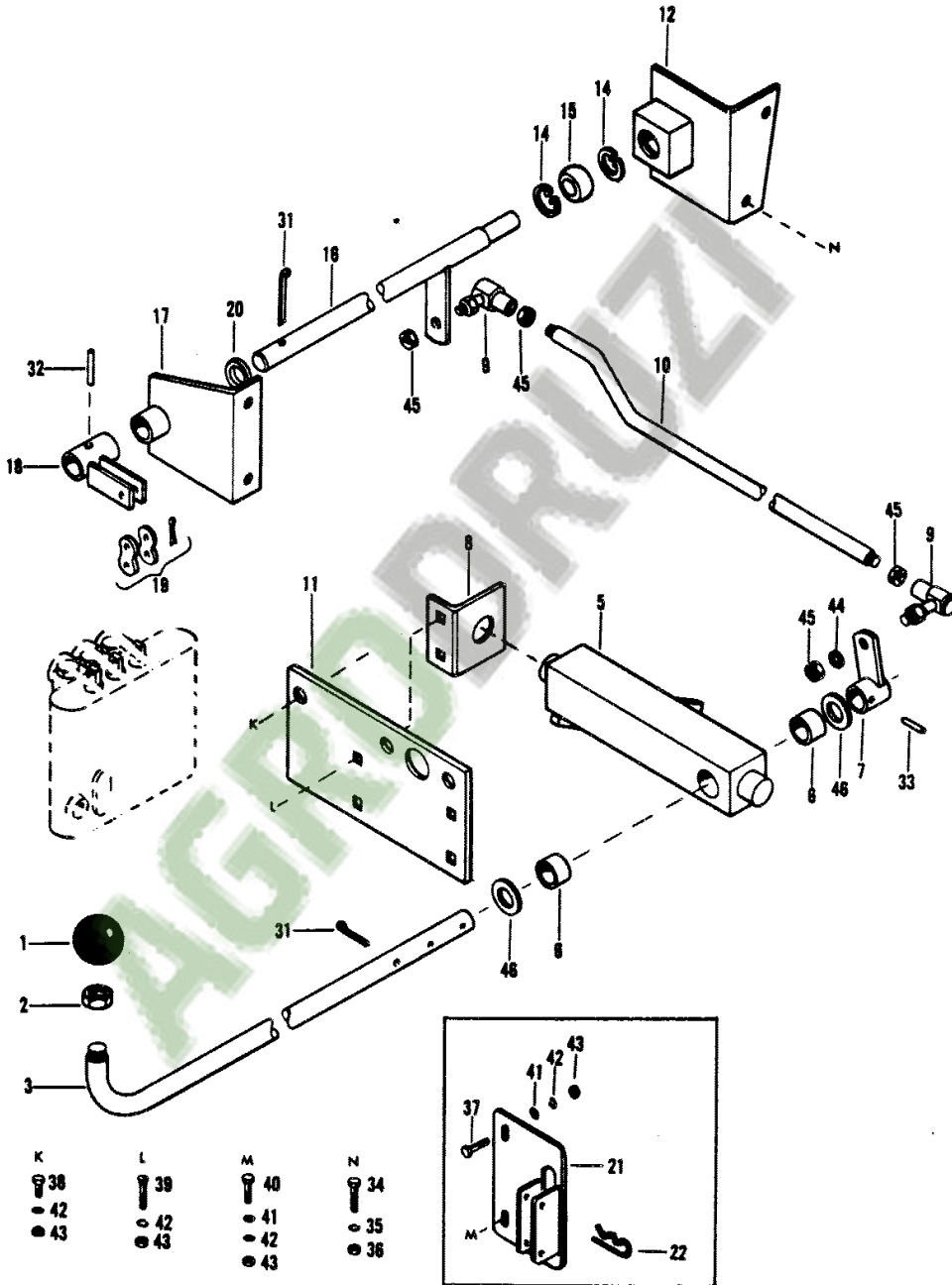
1st Print

651 331 M95 (Issue 1) 12/07

433A

1696 416

TANK UNLOADER SWING CONTROLS



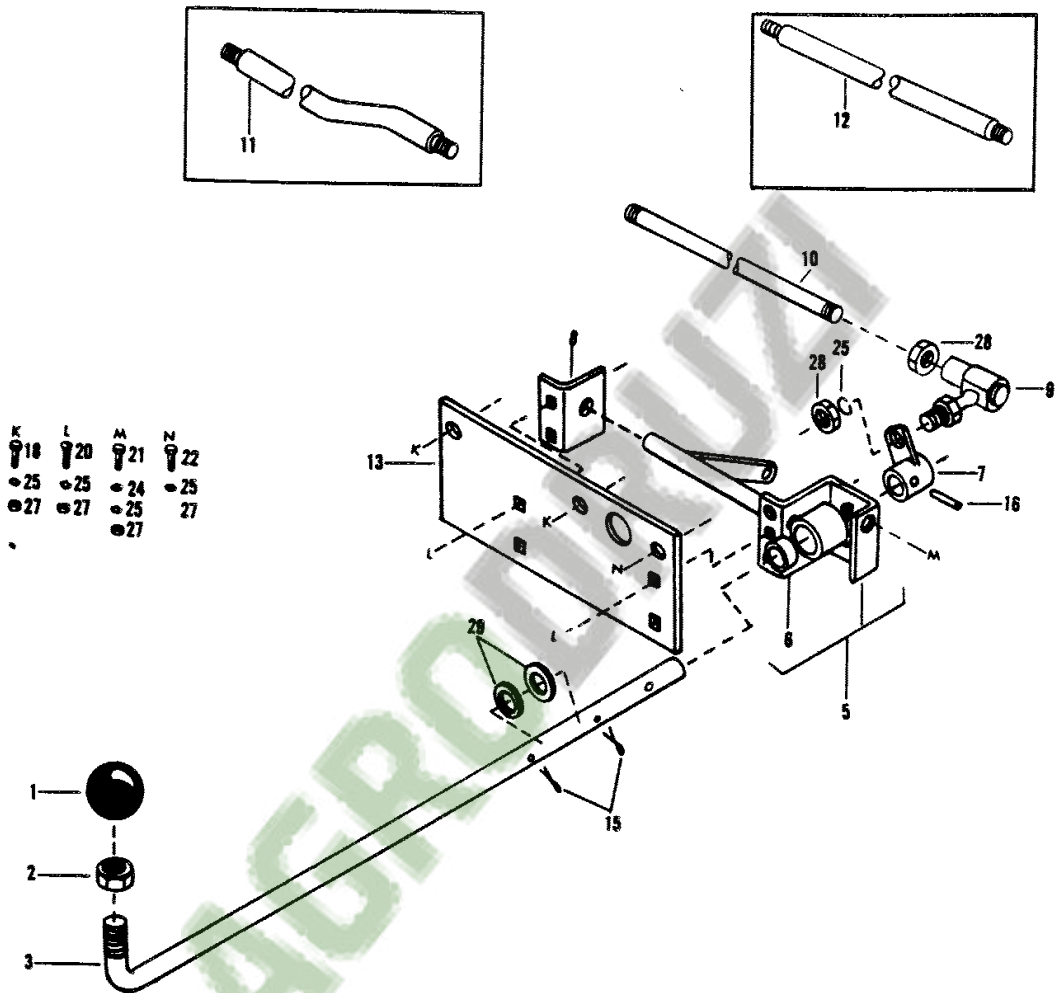
79-16

651 331 M95 (Issue 1) 2/79

434

TANK UNLOADER SWING CONTROLS

1696 318-2



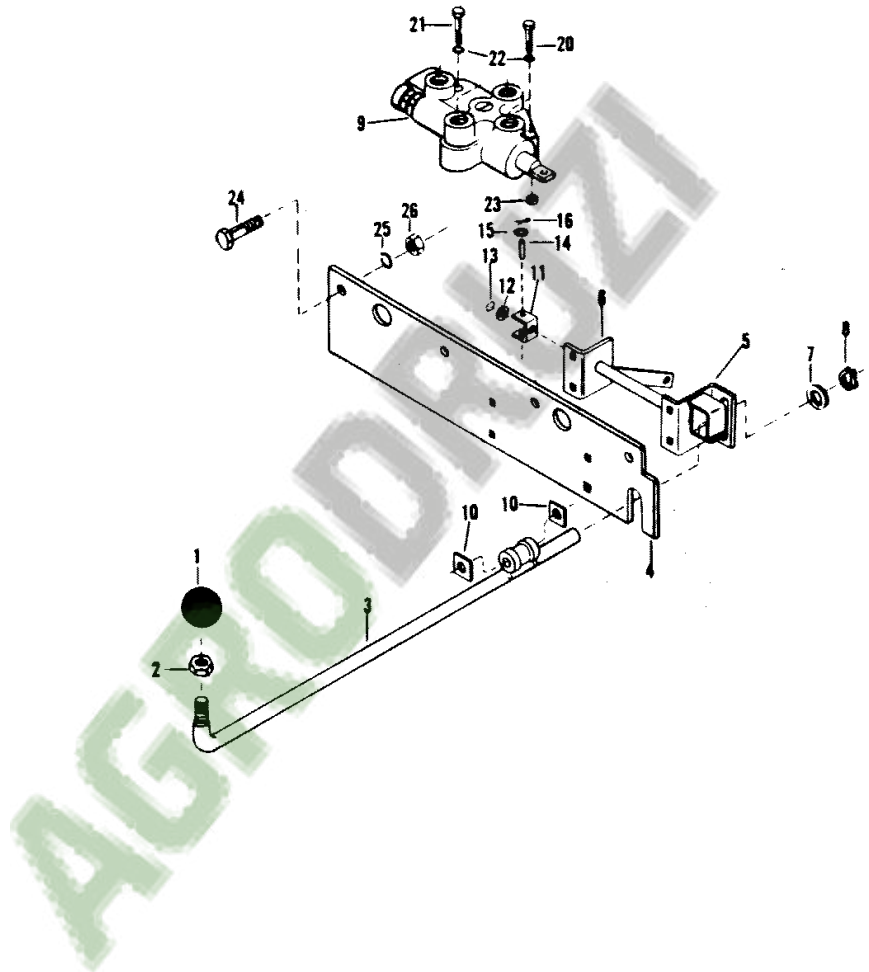
79-16

651 331 M95 (Issue 2) 2/79

UNLOADER SPOUT CONTROLS

437

1696 283



1st Print

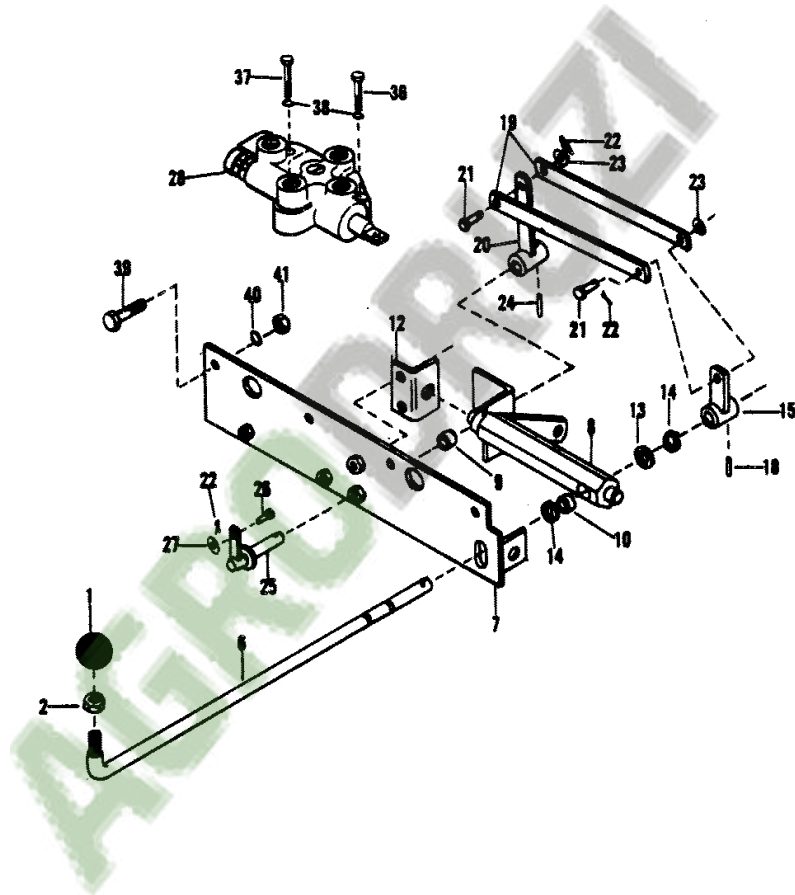
651 331 M95 (Issue 1) 12/77



438

UNLOADER SPOUT CONTROLS

1696 111-3



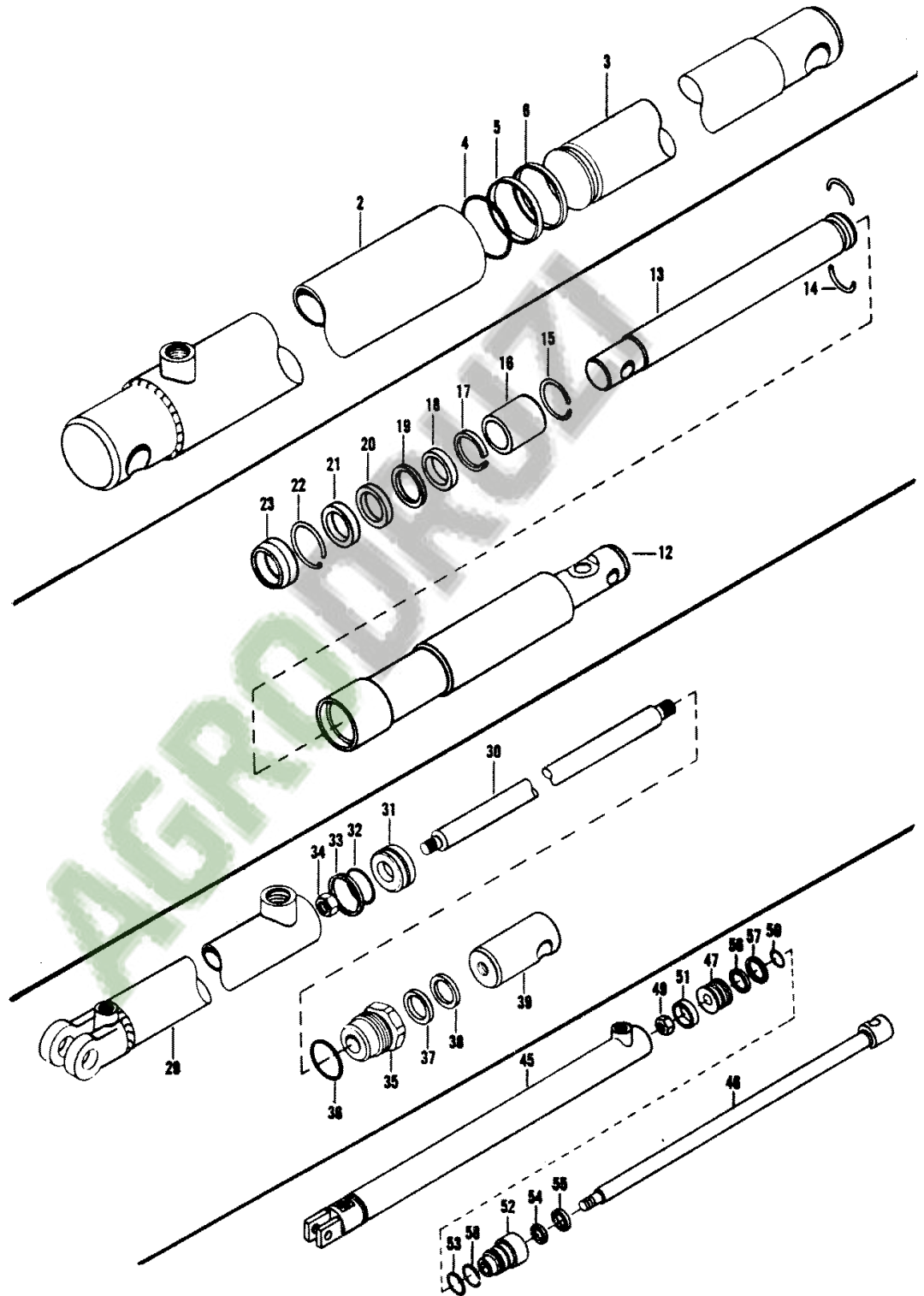
1st Print

651 331 M96 (Issue 1) 12/77

HYDRAULIC CYLINDERS

441

1696 112-2



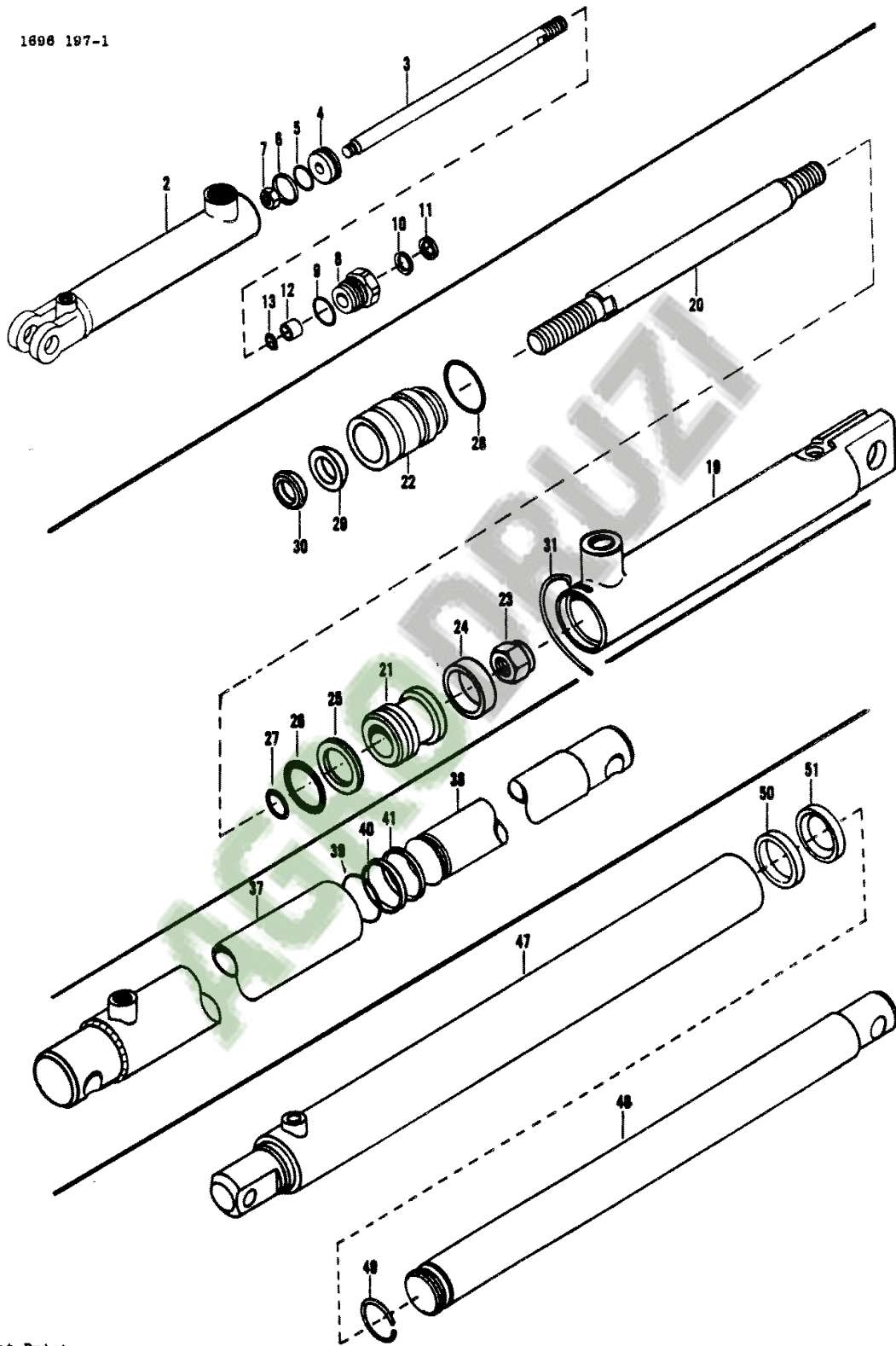
1st Print

651 331 M05 (Issue 1) 12/7

442

HYDRAULIC CYLINDERS

1696 197-1

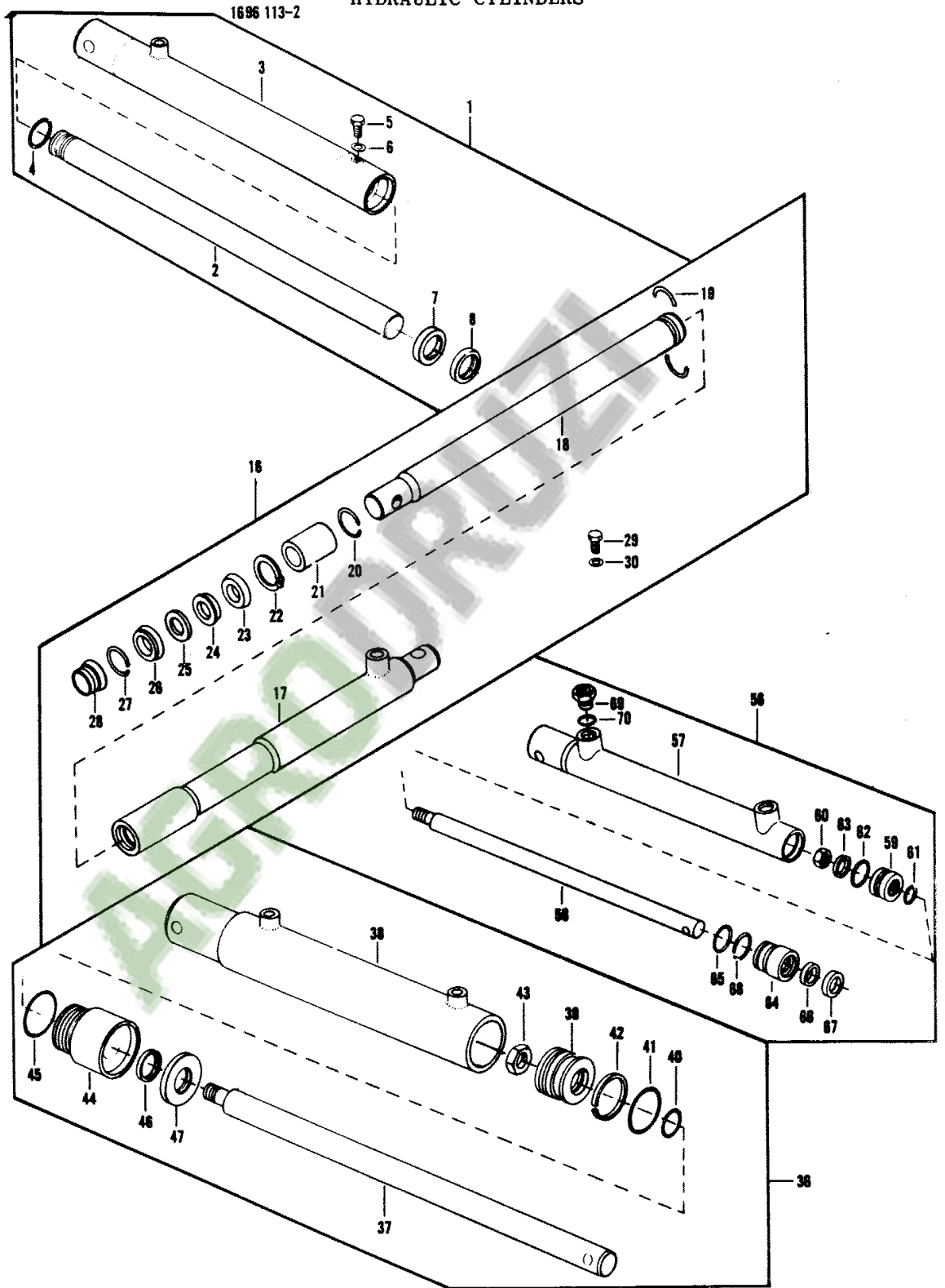


1st Print

651 331 M95 (Issue 1) 12/77

HYDRAULIC CYLINDERS

445



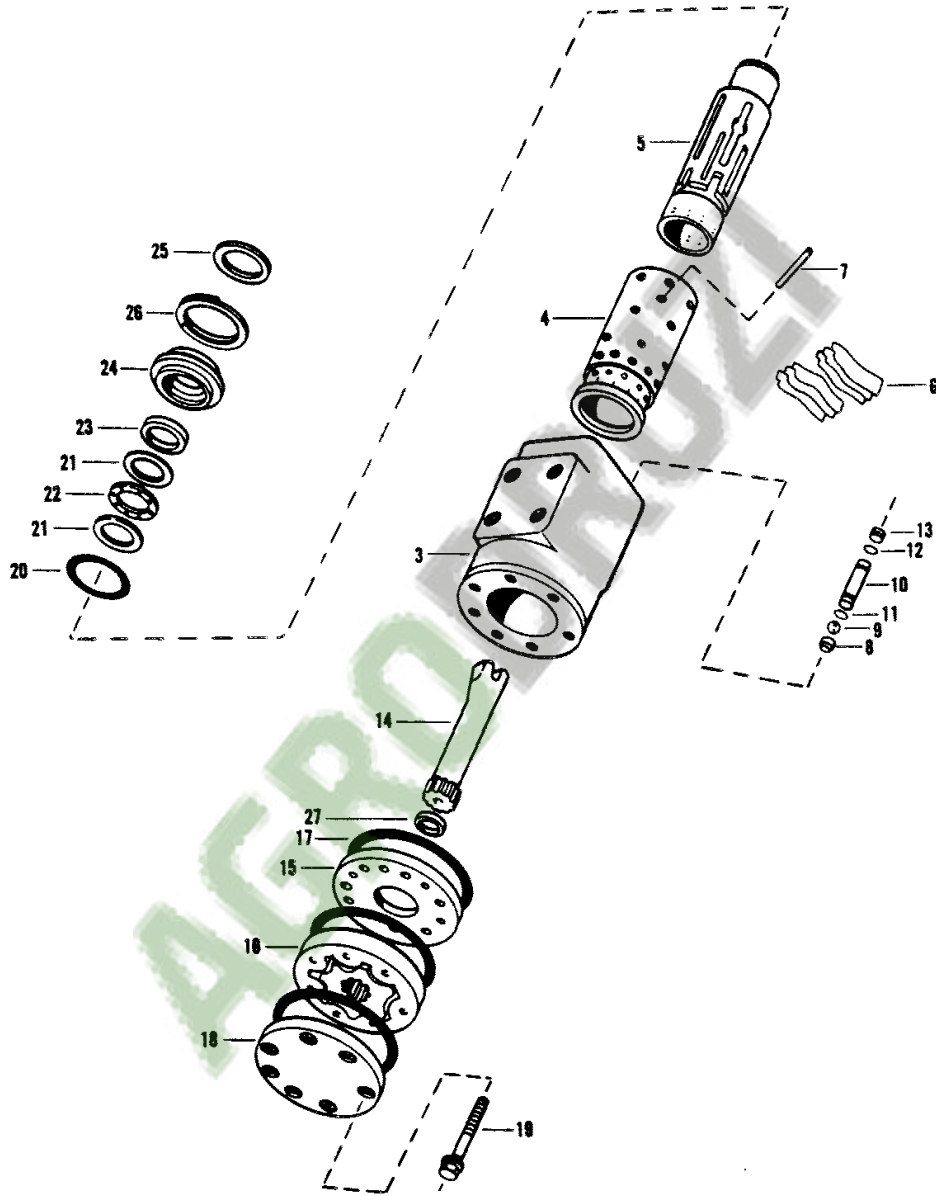
1st Print

651 331 M95 (Issue 1) 12/79

445A

STEERING CONTROL UNIT

1696 416



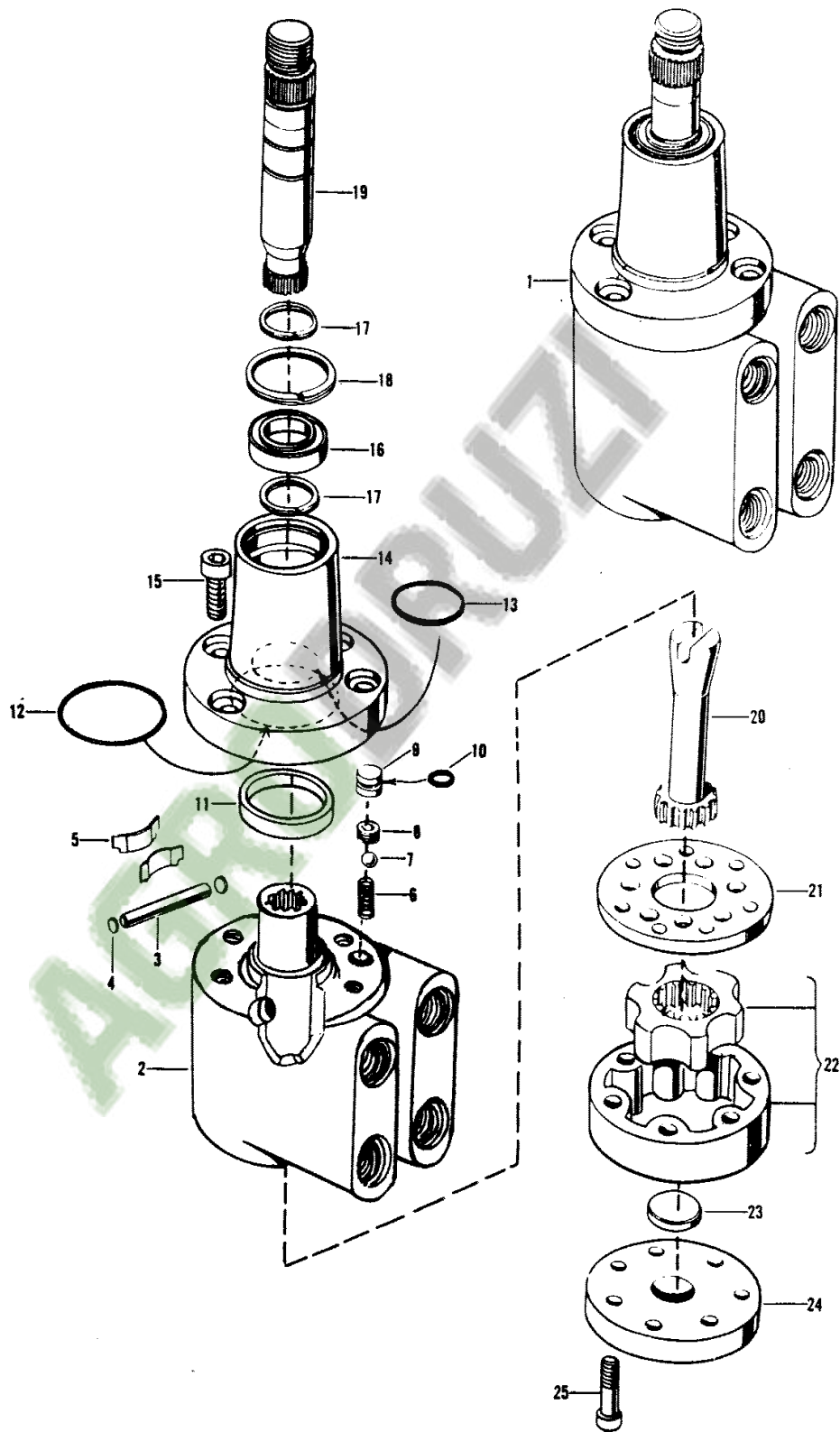
79-45

651 331 M95 (Issue 2) 5/79

446

1696 284

HYDROSTATIC STEERING PUMP



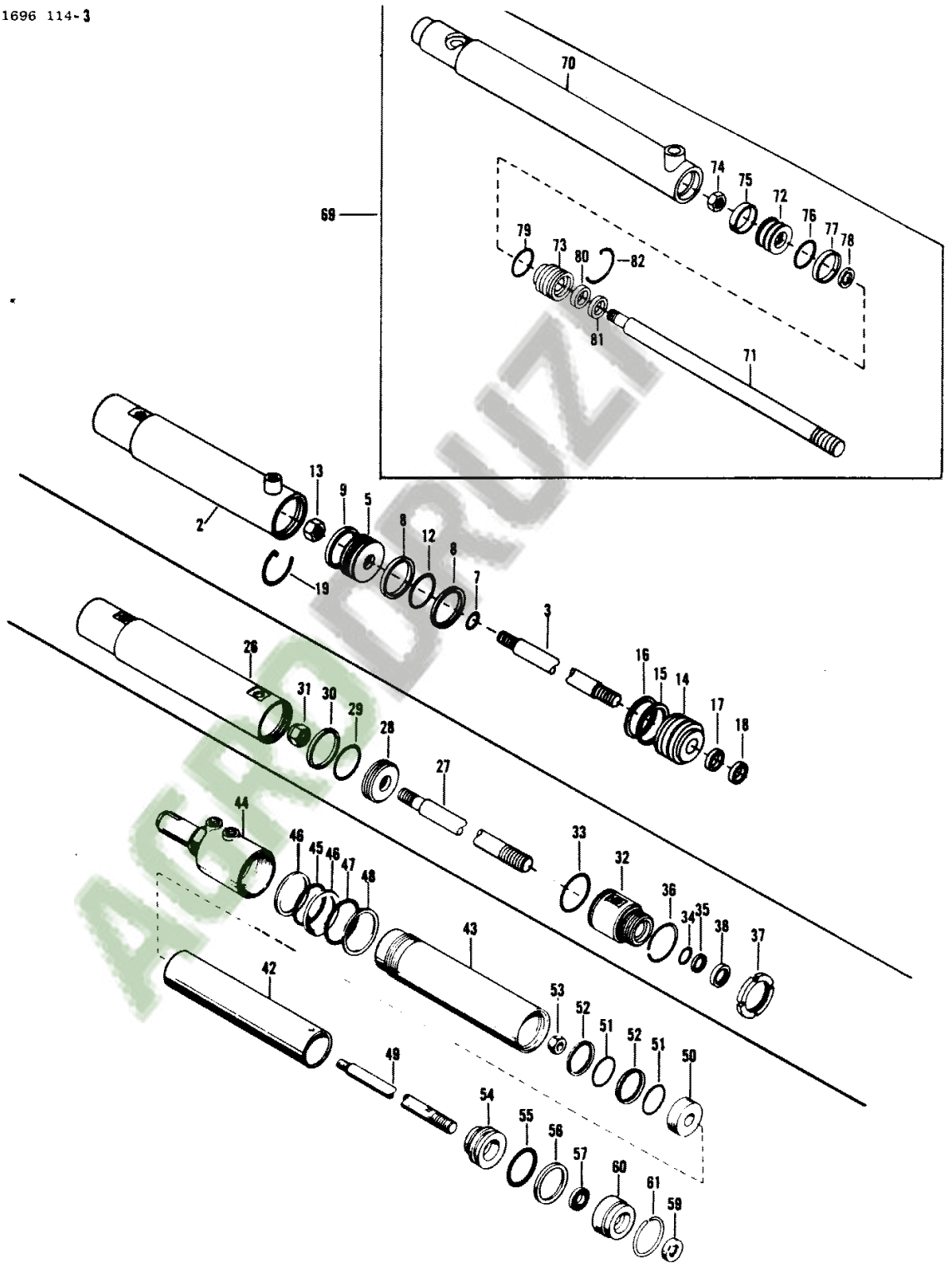
1st Print

-651 331 M95 (Issue 1) 12/77

HYDROSTATIC STEERING PUMP AND CYLINDER

449

1696 114-3



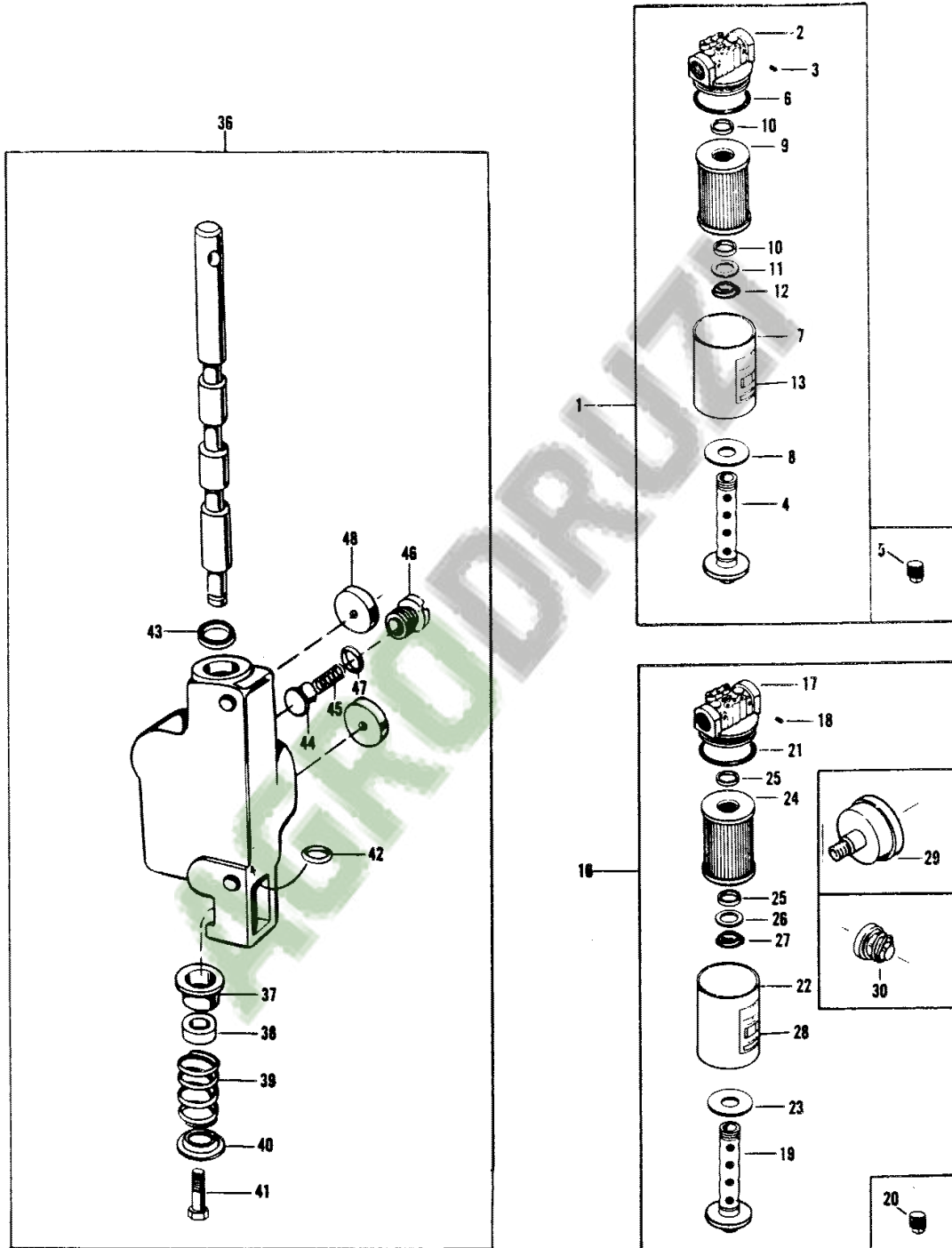
1st Print

651 331 M95 (Issue 1) 12/77

450

HYDRAULIC OIL FILTER AND CONTROL VALVE

1696 115 -1



79-45

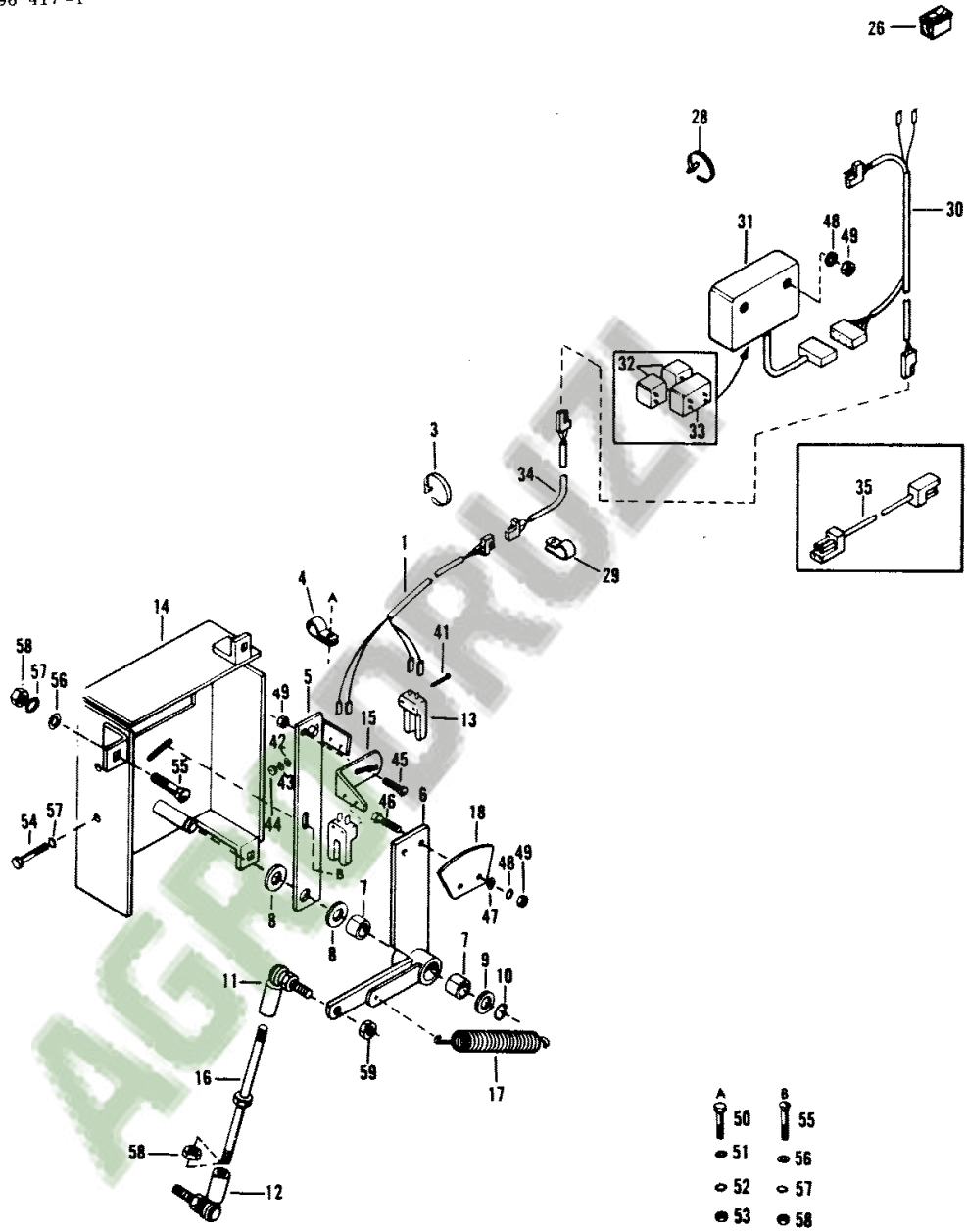
651 331 M95 (Issue 2) 5/79



TABLE HEIGHT CONTROL

451B

1696 417-1



79-45

651 331 M95 (Issue 2) 5/78

MASSEY FERGUSON

MF 750 COMBINE, ->| 1696019595 - 651331

651331

TABLE HEIGHT CONTROL - FLOATING CUTTER BAR

451B

Item	Part Number	Qty	Description	Comments
				15'
				(D)
				16'
				(E)
				18'
				(F)
				20'

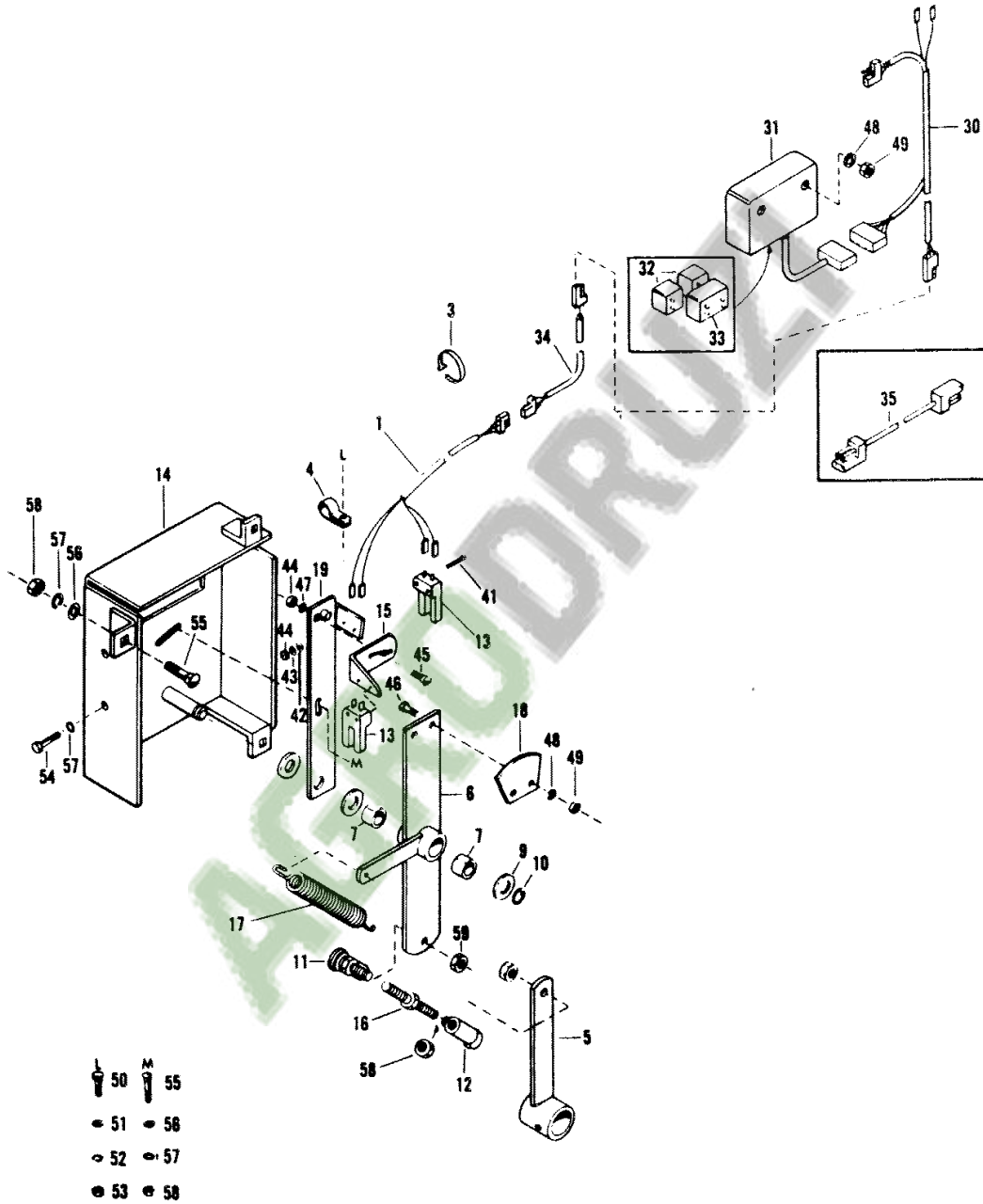
AGRO DRUZI

451C

TABLE HEIGHT CONTROL

1696 446

26 

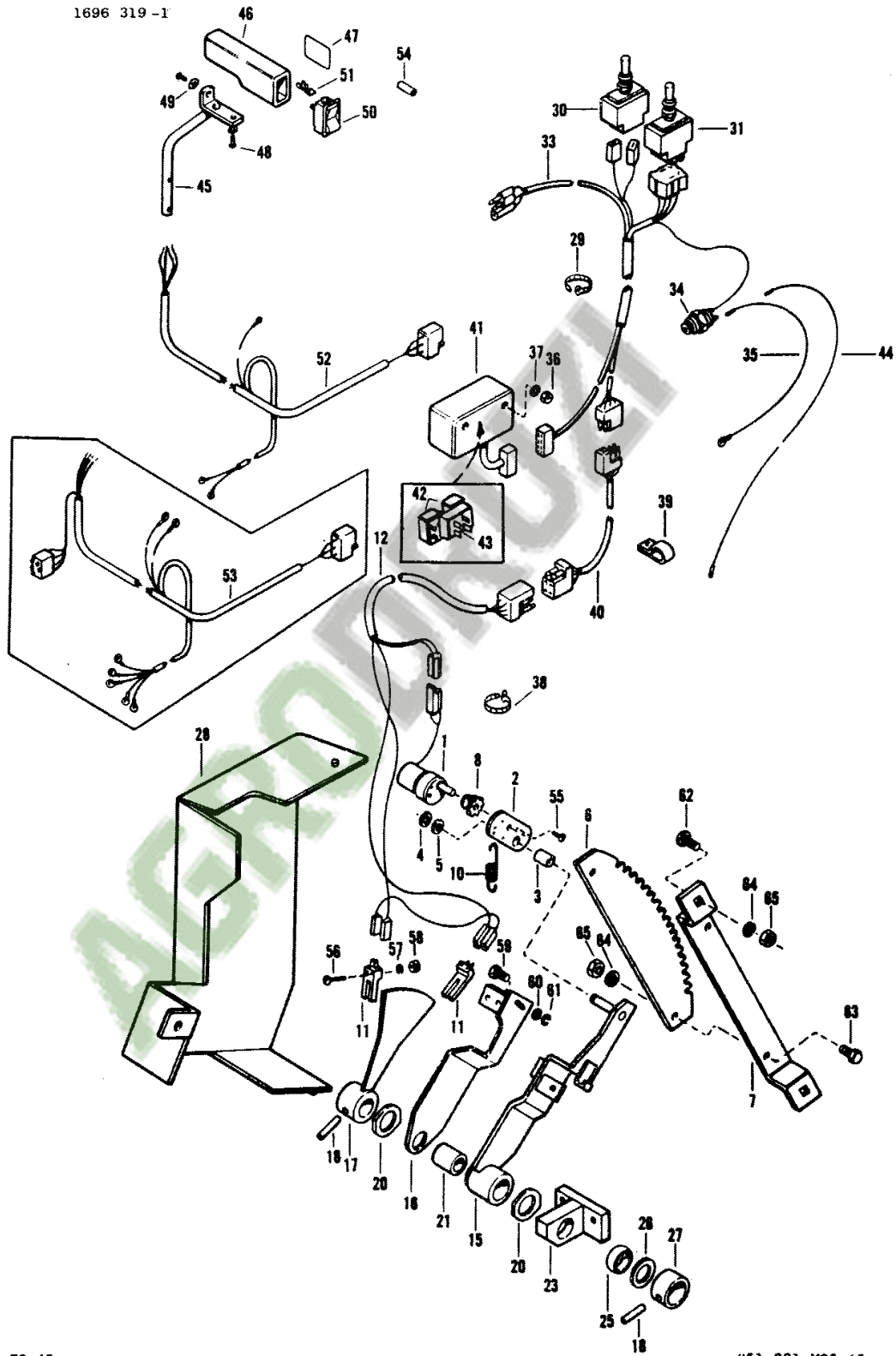


79-45

651 331 M95 (Issue 2) 5/79

TABLE HEIGHT CONTROL

453



79-45

651 331 M95 (Issue 3) 5/78

**MASSEY FERGUSON****MF 750 COMBINE, -> 1696019595 - 651331****651331****TABLE HEIGHT CONTROL - MACHINE****453**

Item	Part Number	Qty	Description	Comments
65	355566X1	AR	Nut Unc	

(A)

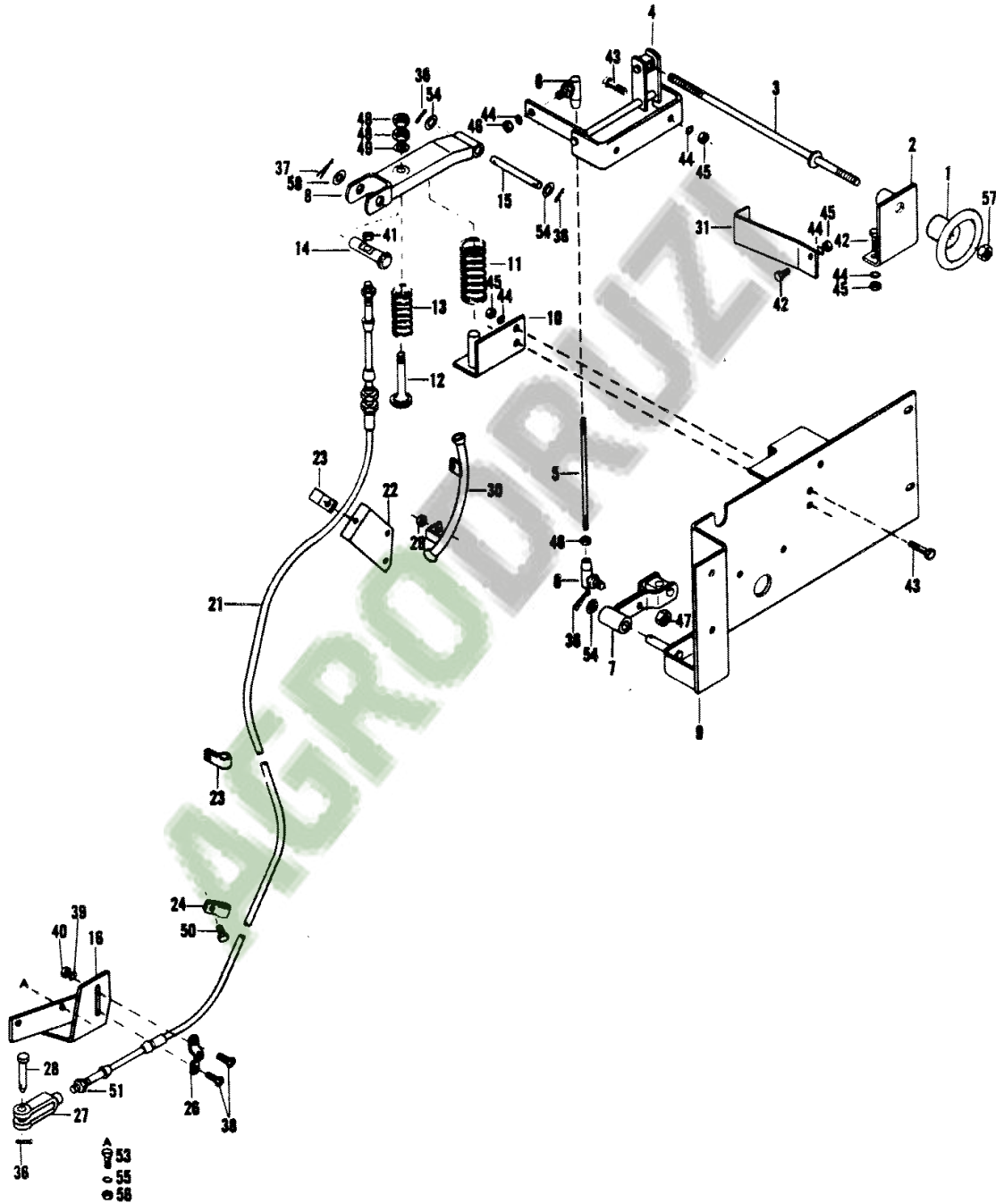
NOT USED WITH HYDROSTATIC TRANSMISSION.

**AGRO DRUZI**

454

TABLE HEIGHT CONTROLS

1696 116-1



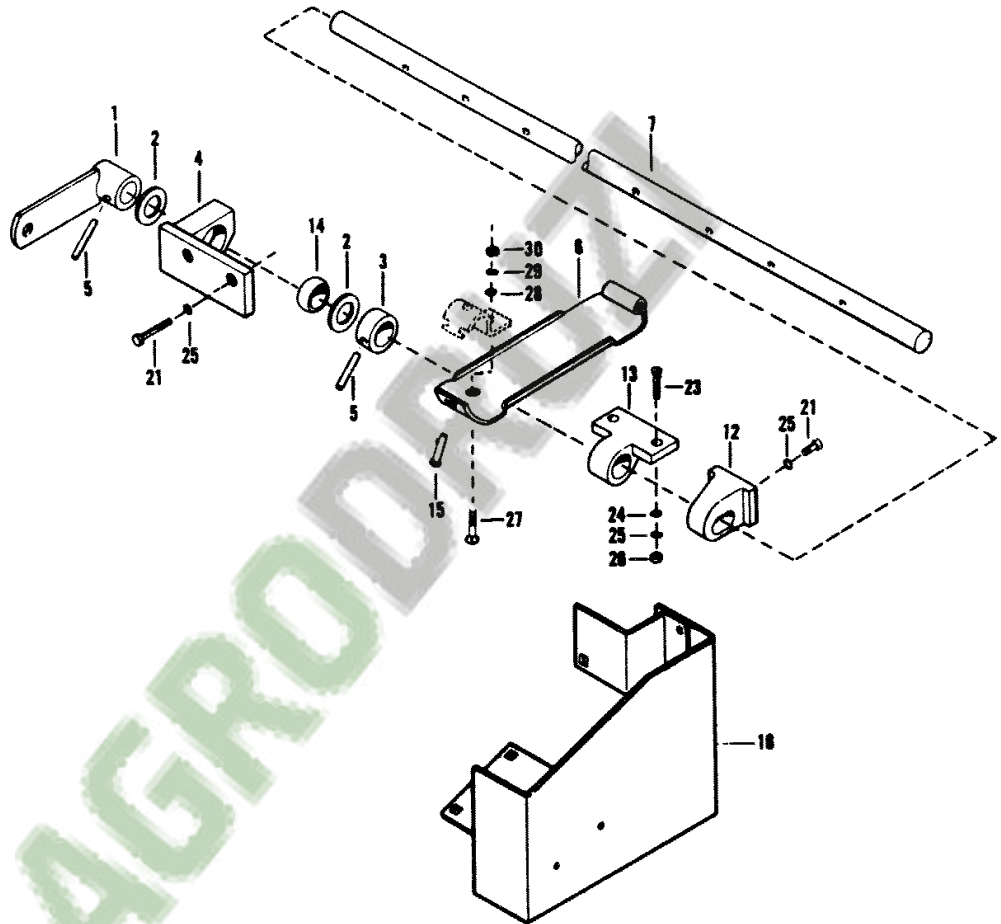
1st Print

651 331 M95 (Issue 1) 12/77

TABLE HEIGHT CONTROL

455B

1696 418-1



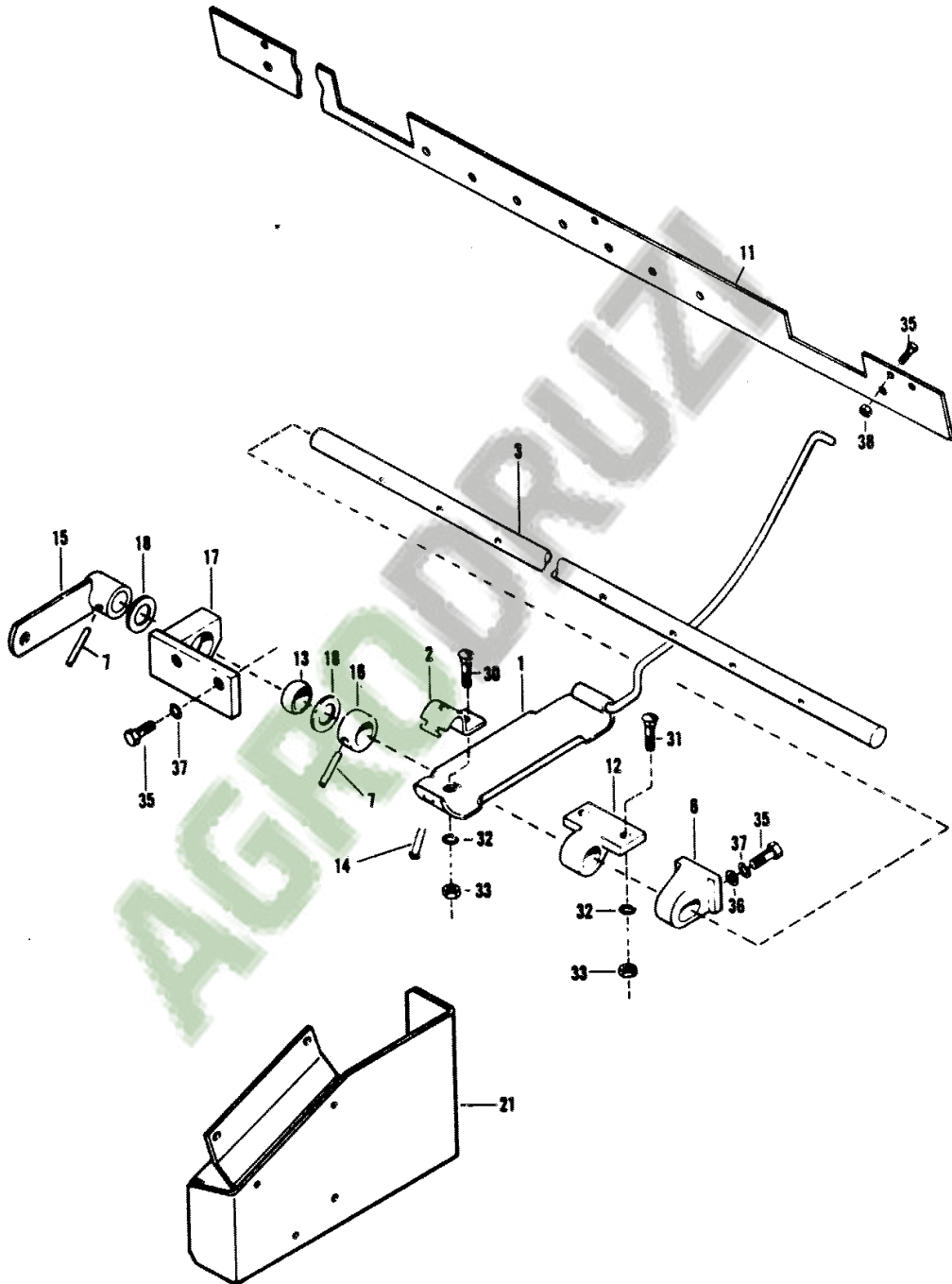
79-45

651 331 M95 (Issue 2) 5.1

455C

TABLE HEIGHT CONTROL

1696 447



79-45

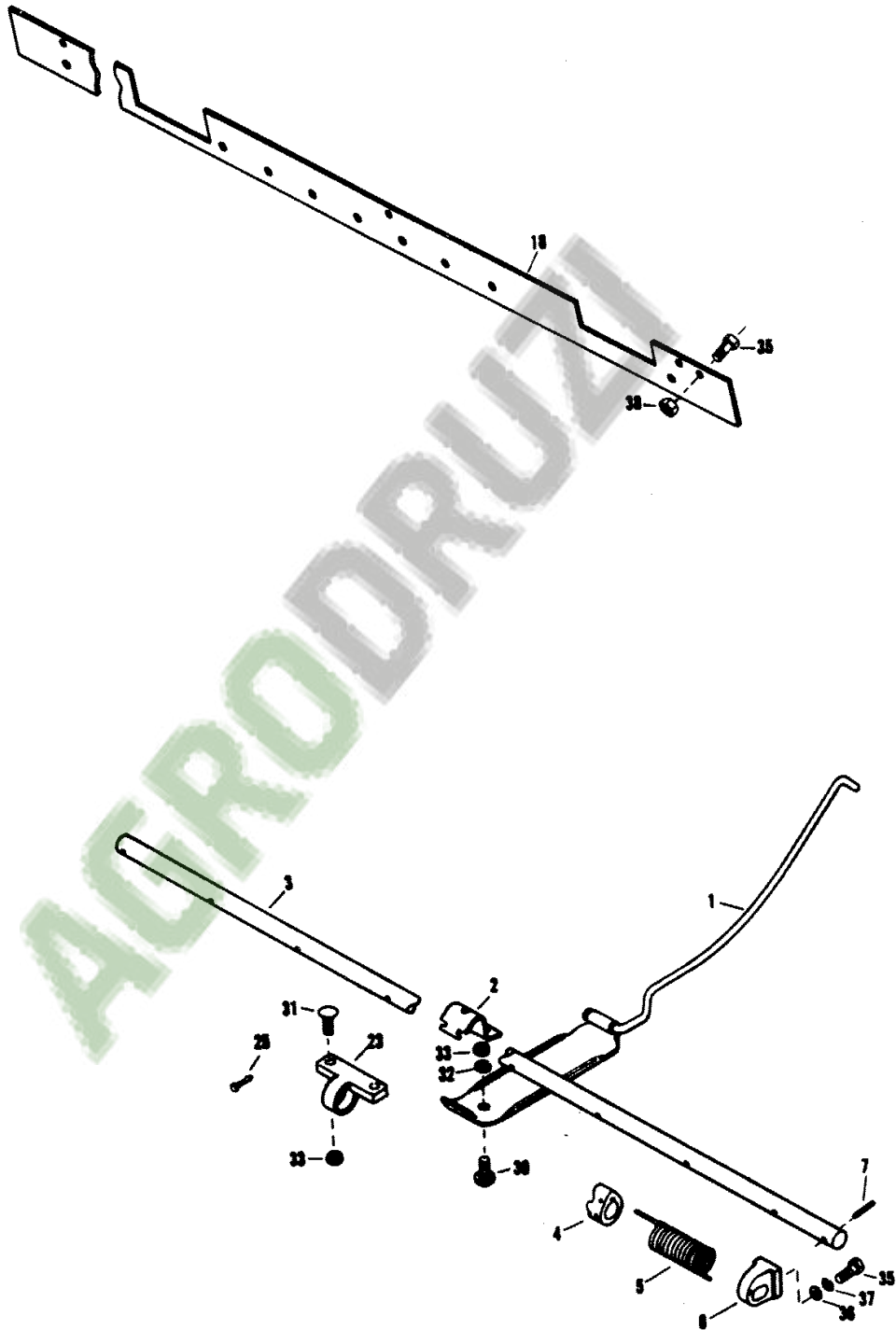
651 331 M05 (Issue 2) 5/79



TABLE HEIGHT CONTROL

457

1696 320-1

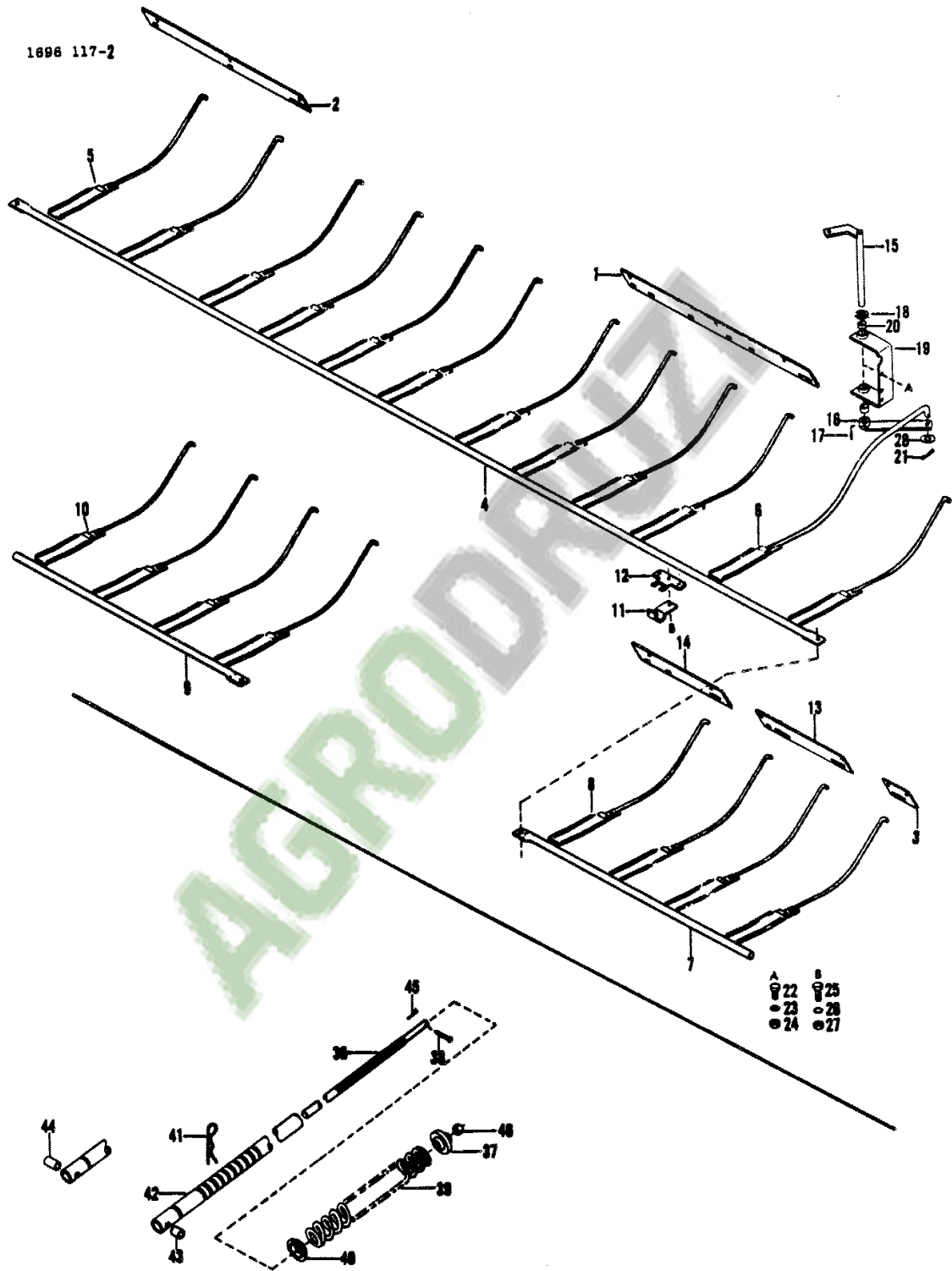


79-45

651 331 M95 (Issue 2) 5/78

458

TABLE HEIGHT CONTROLS



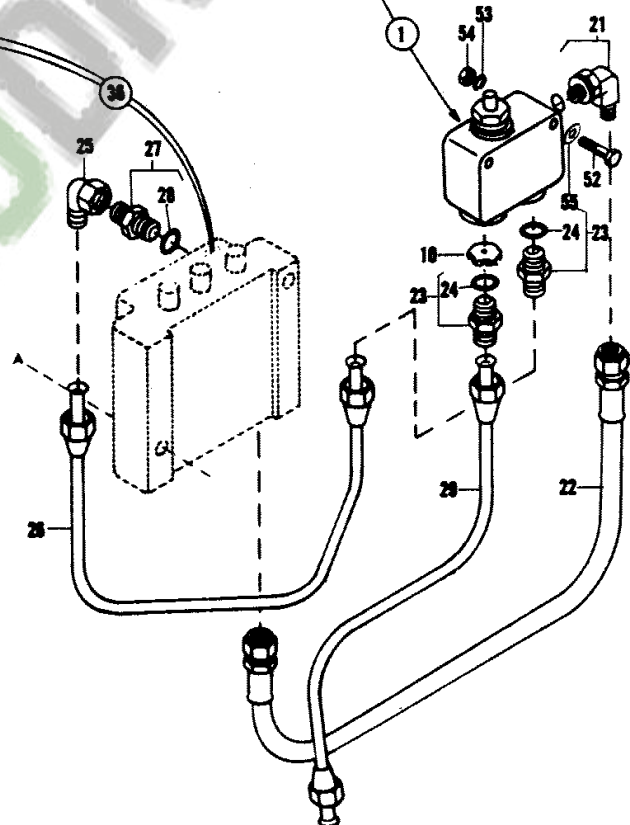
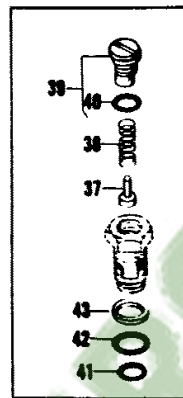
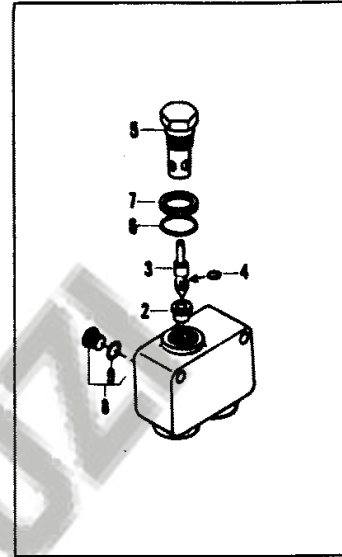
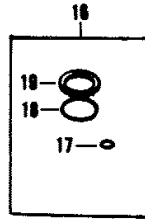
1st Print

651 331 M95 (Issue 1) 12/77

TABLE HEIGHT HYDRAULICS

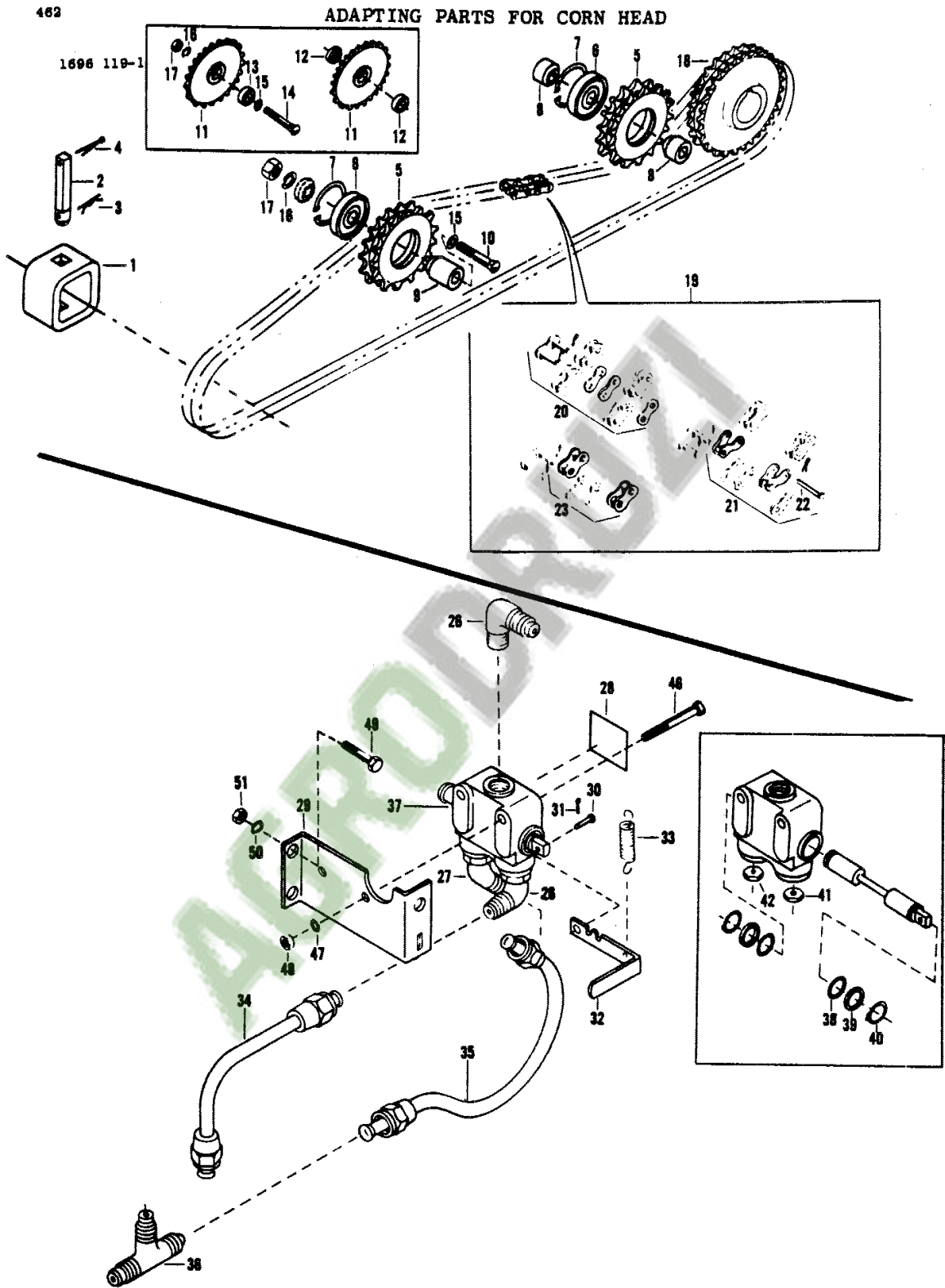
461

1696 118



1st Print

651 331 M95 (Issue 1) 12/...



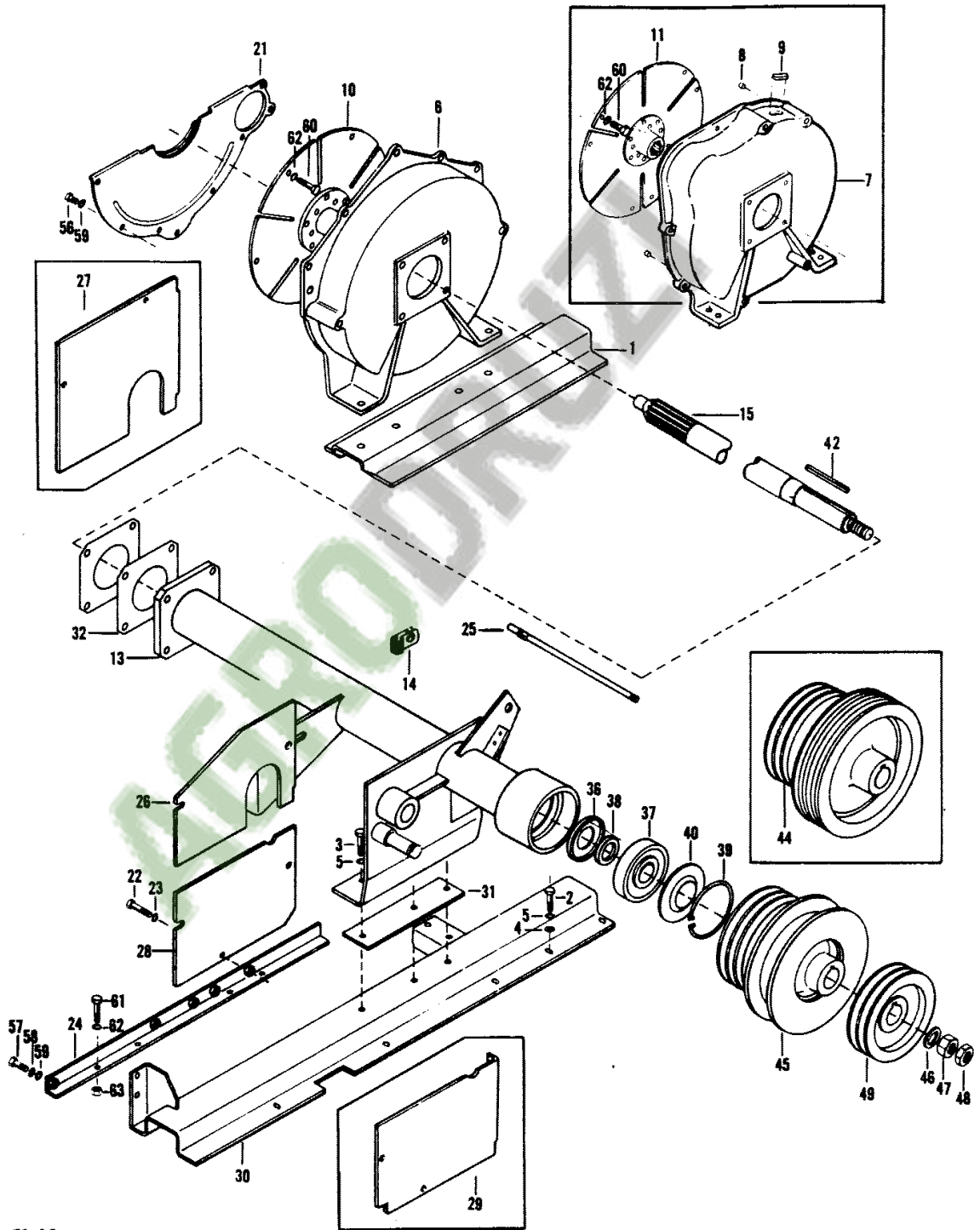
1st Print

651 331 M85 (Issue 1) 12/77

REAR MOTOR HOUSING

465

1696 121-1



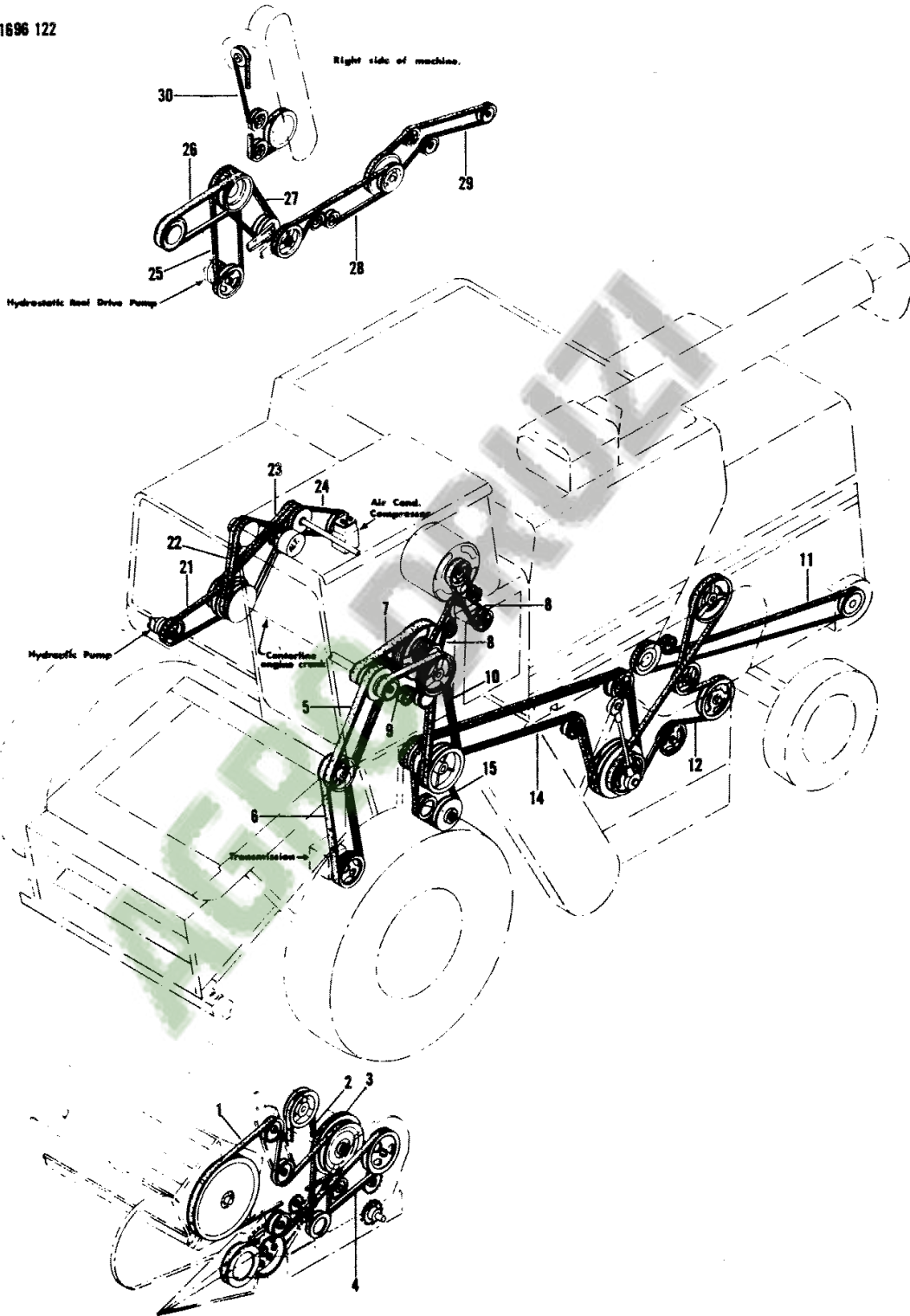
79-16

651 331 M95 (Issue 1) 2/79

466

BELTS

1696 122



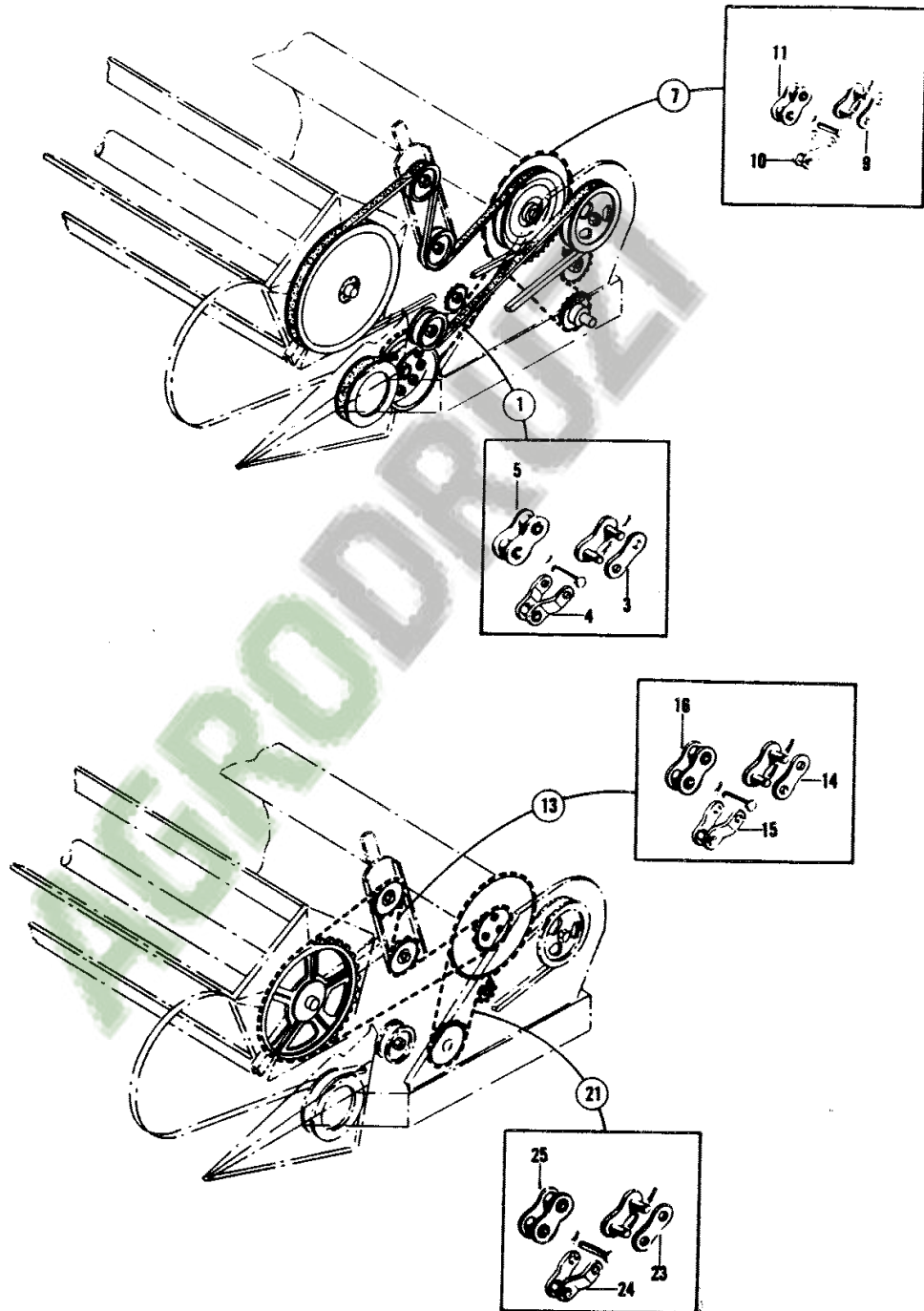
1st Print

651 331 M95 (Issue 1) 12/77

470

CHAINS

1696 124



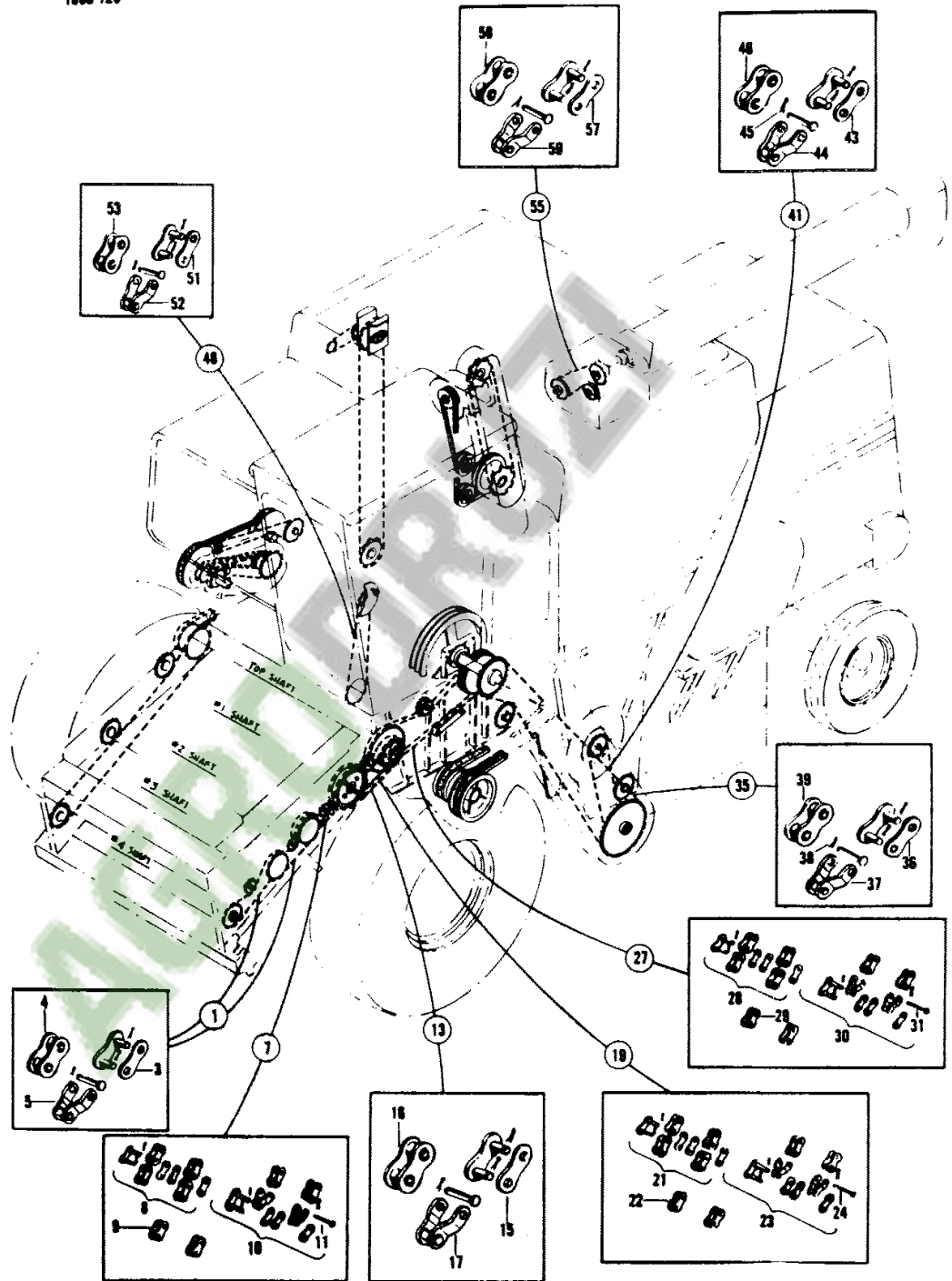
1st Print

651 331 M05 (Issue 1) 12/77

CHAINS

473

1806 125



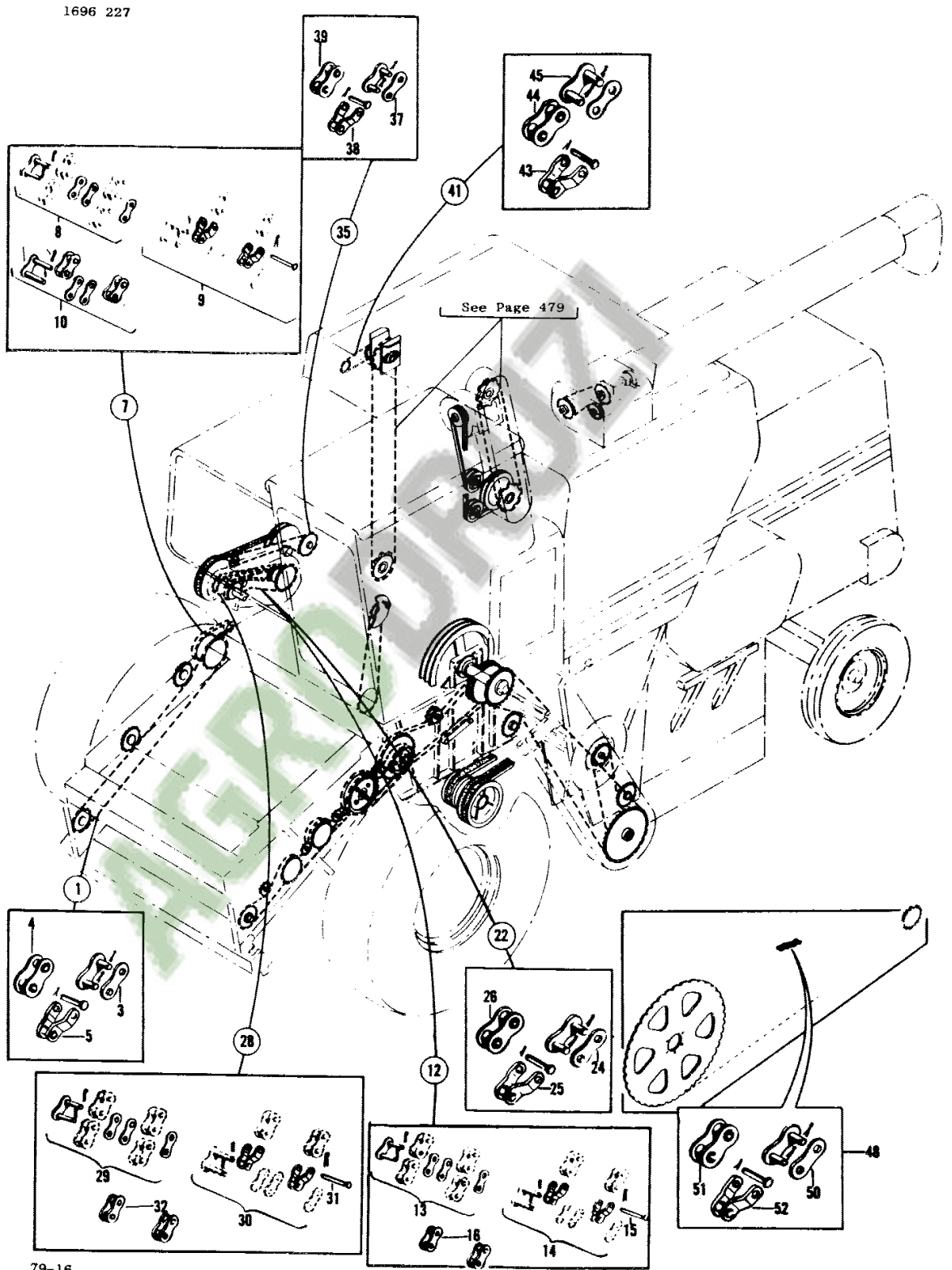
1st Print

651 331 M95 (Issue 1) 12/77



CHAINS

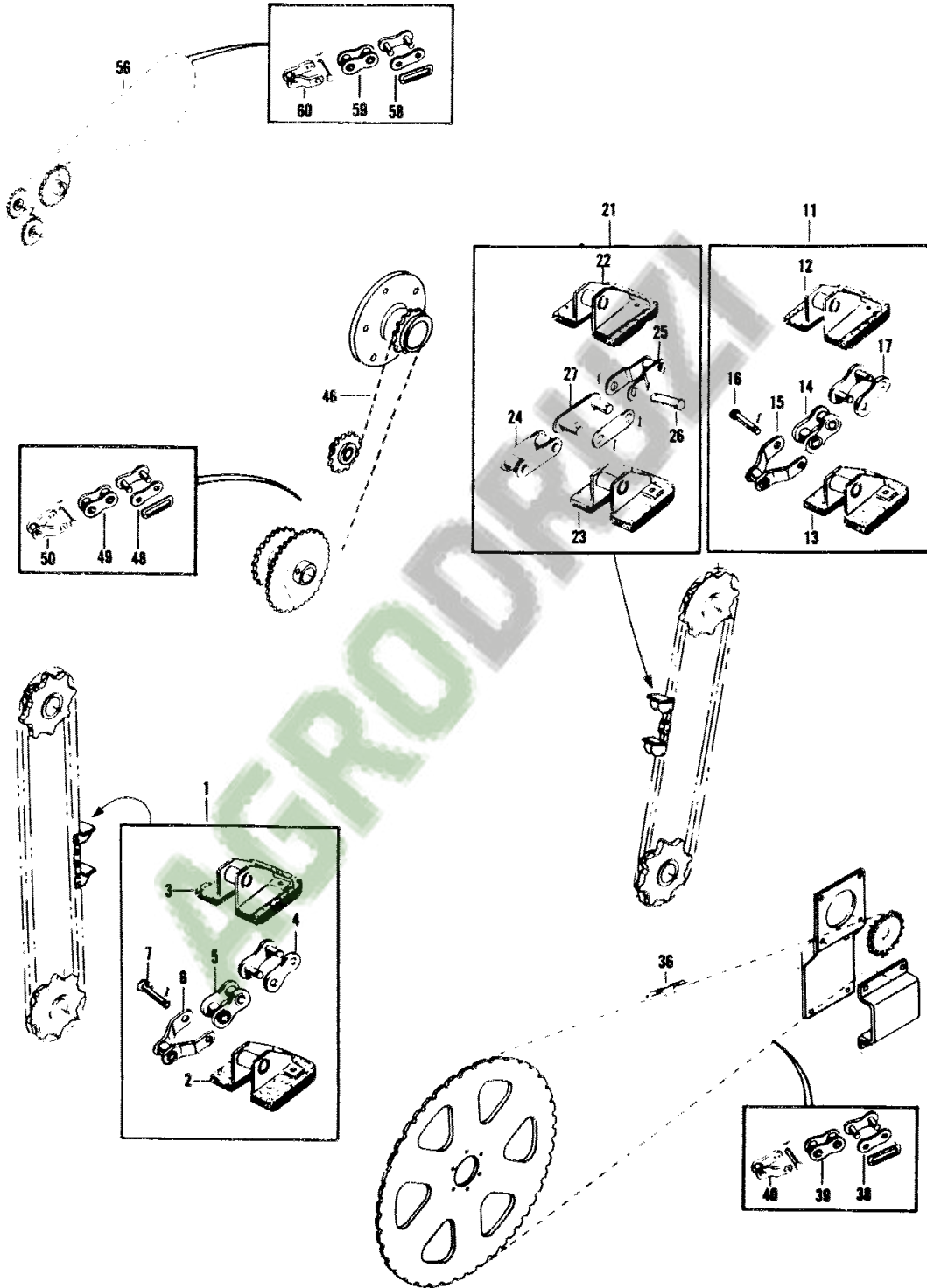
477



478

CONVEYOR CHAIN

1696 126 -1

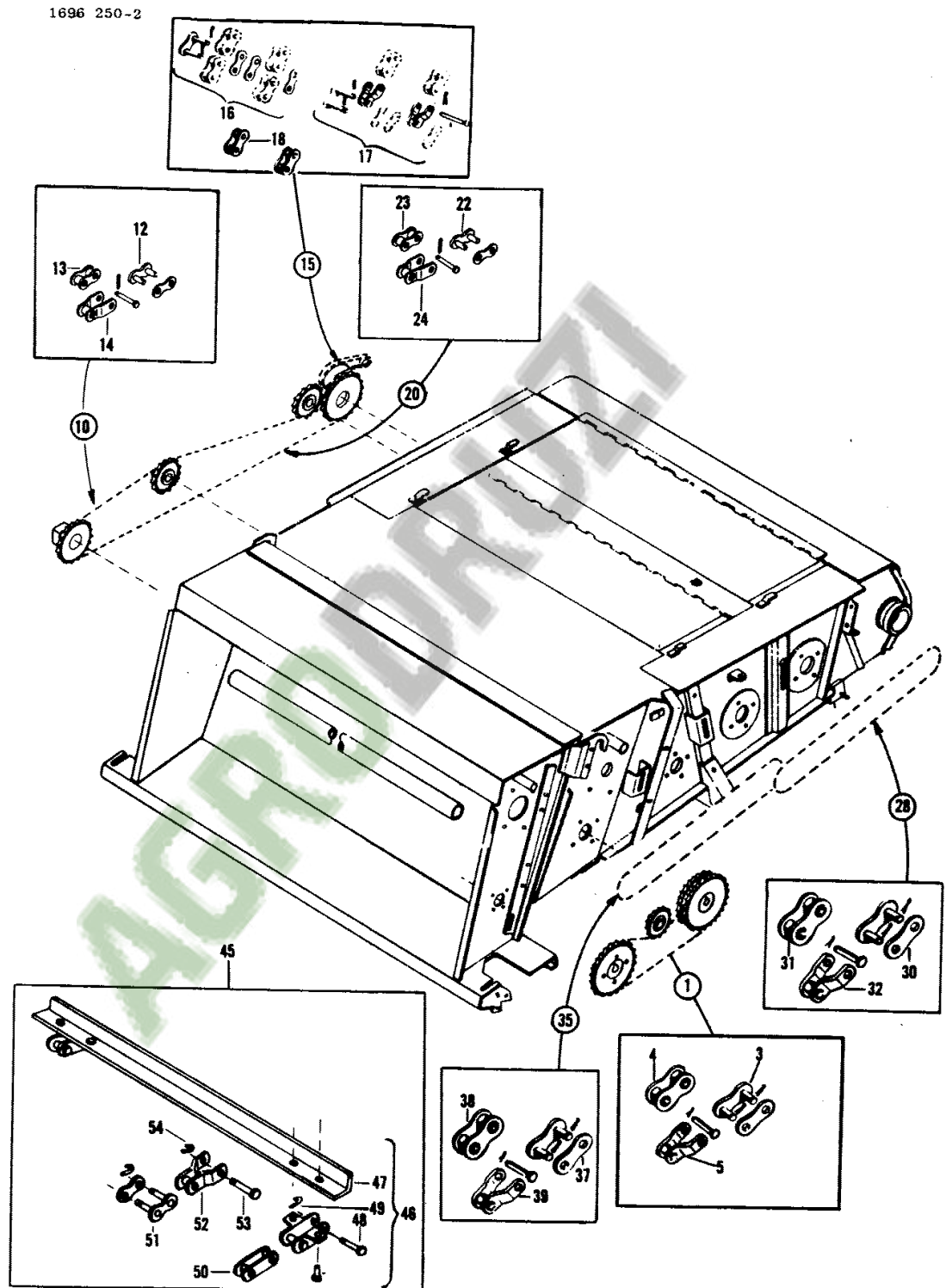


1st Print

651 331 M95 (Issue 1) 12/77

CHAINS

481



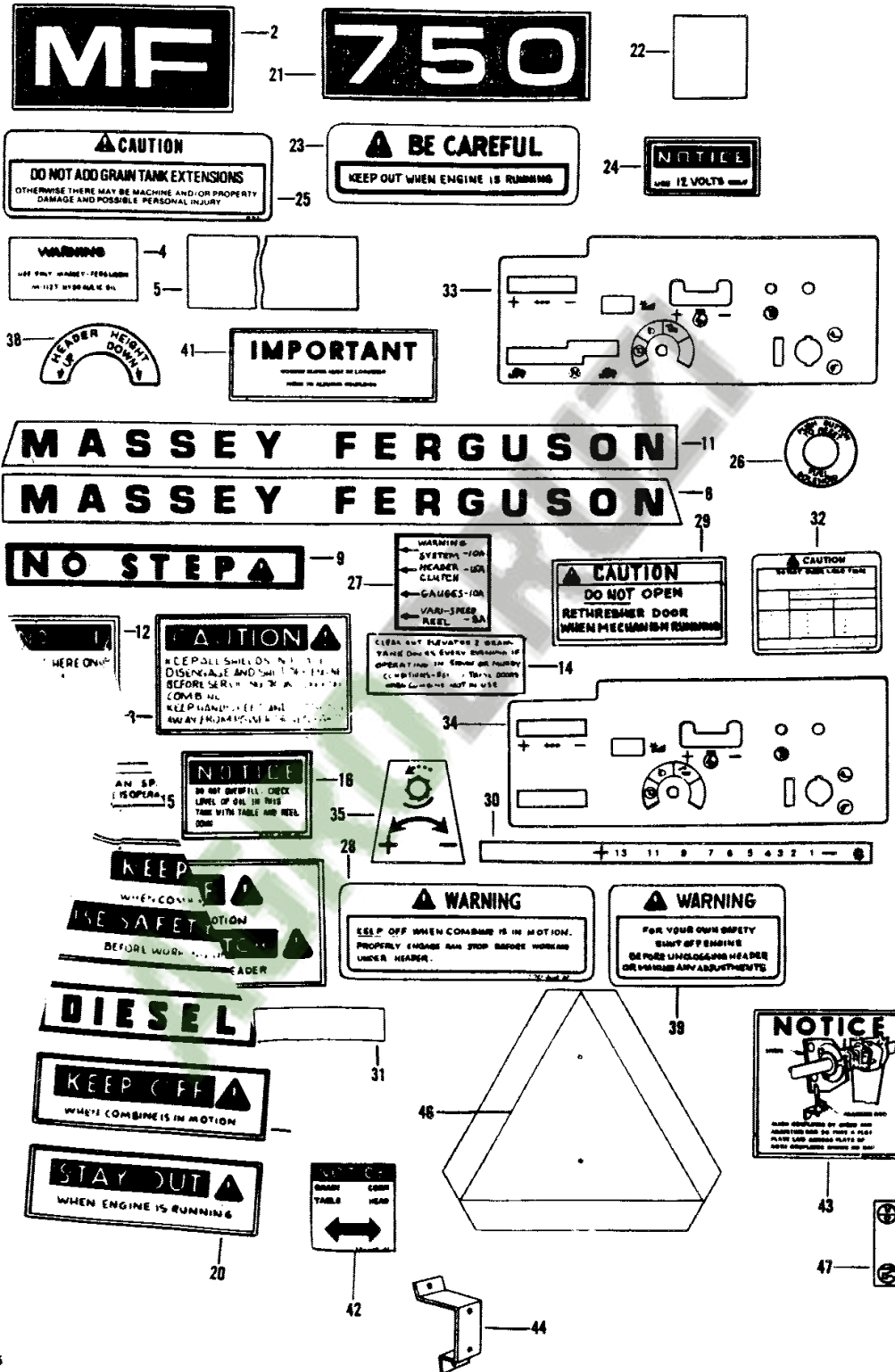
80-1

651 331 M95 (Issue 2) 11/78

481A

1696 419-1

EMBLEMS AND LABELS

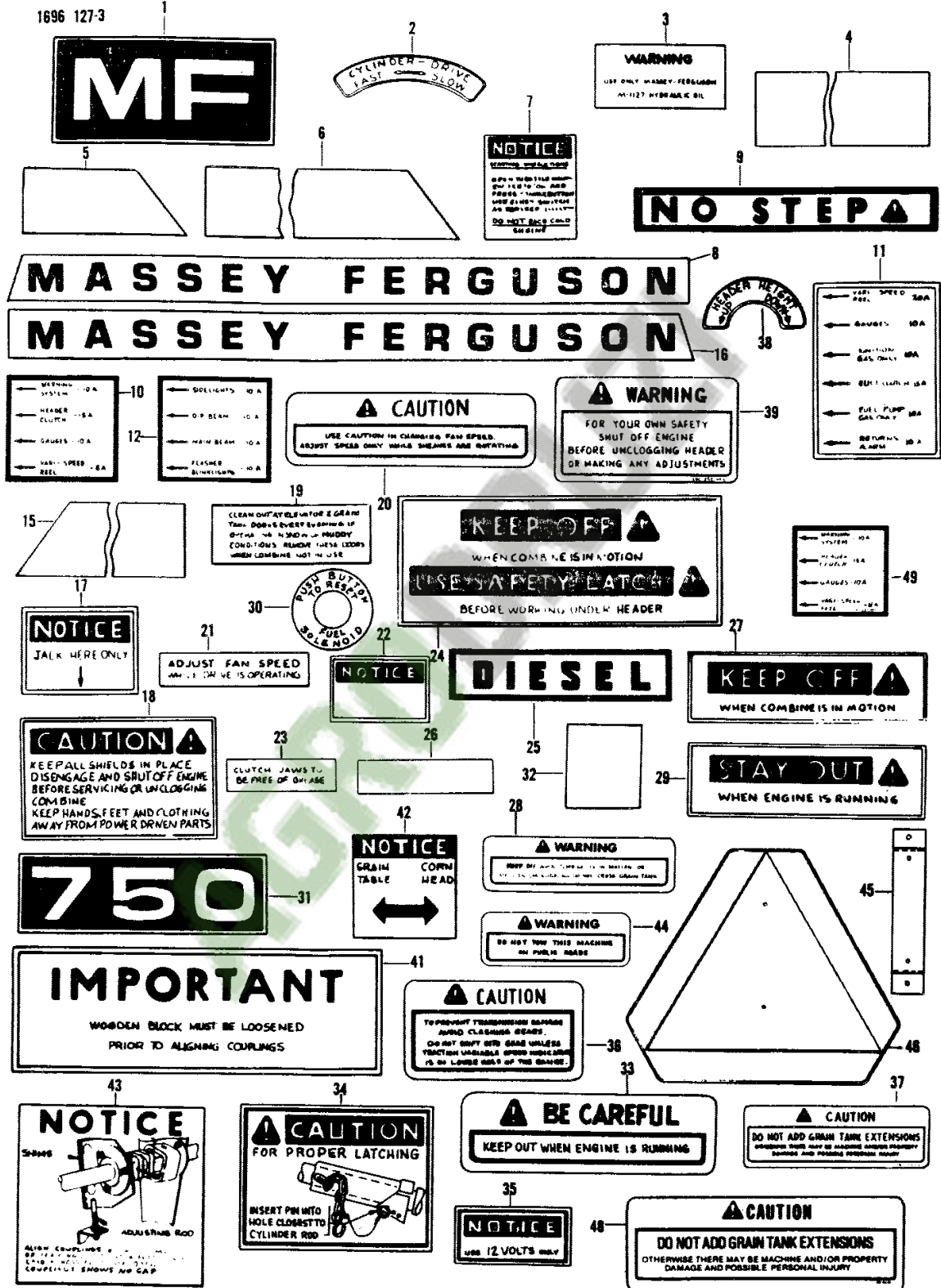


79-45

651 331 M95 (Issue 2) 5/79

482

EMBLEMS AND LABELS



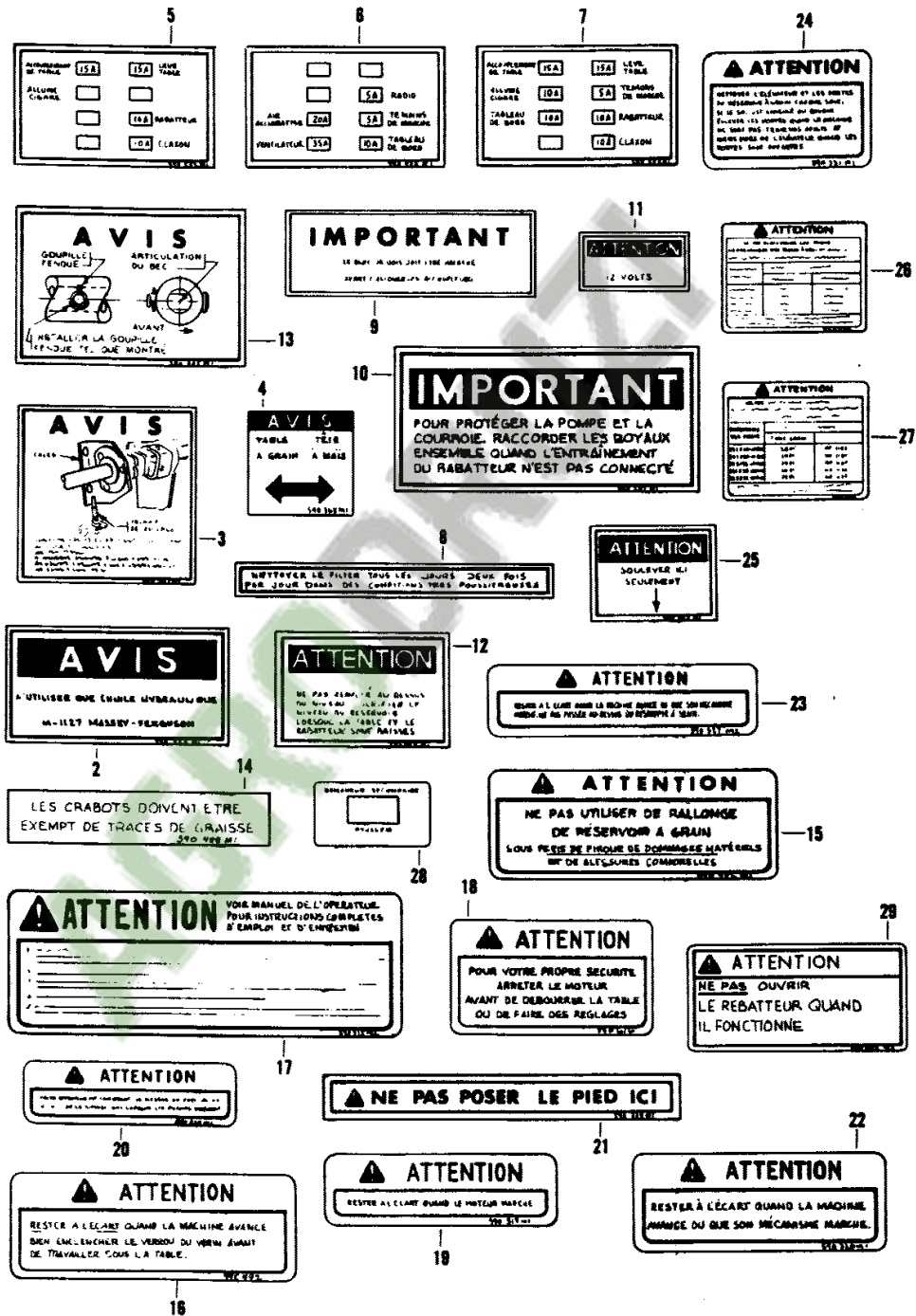
1st Print

651 331 M95 (Issue 1) 12/77

EMBLEMS AND LABELS

483B

1696 448



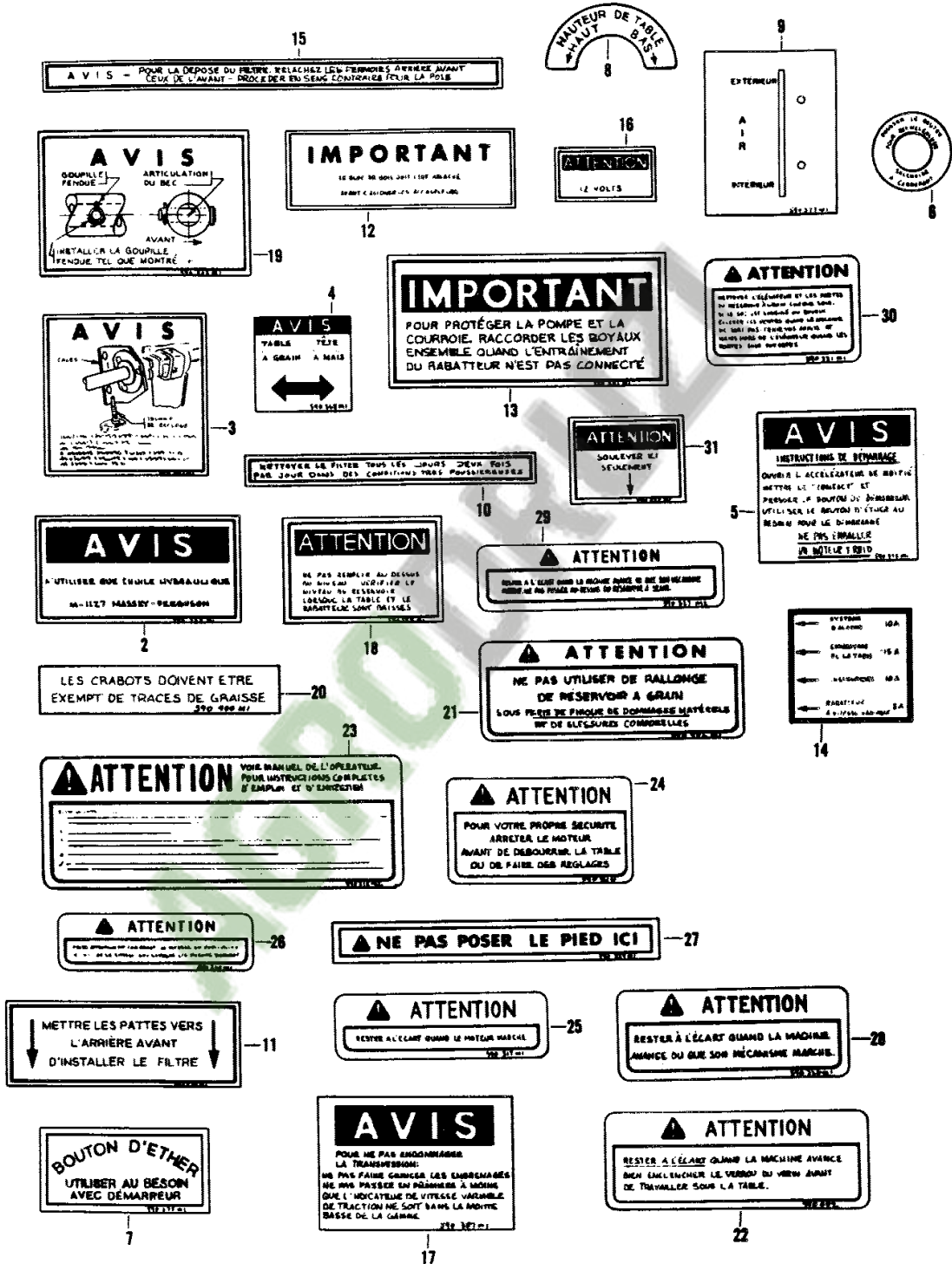
79-45

651 331 M95 (Issue 2) 5/79

483C

EMBLEMS AND LABELS

1696 449



79-45

651 331 M95 (Issue 2) 5/79

EMBLEMS AND LABELS

483F

1696 422

79-16

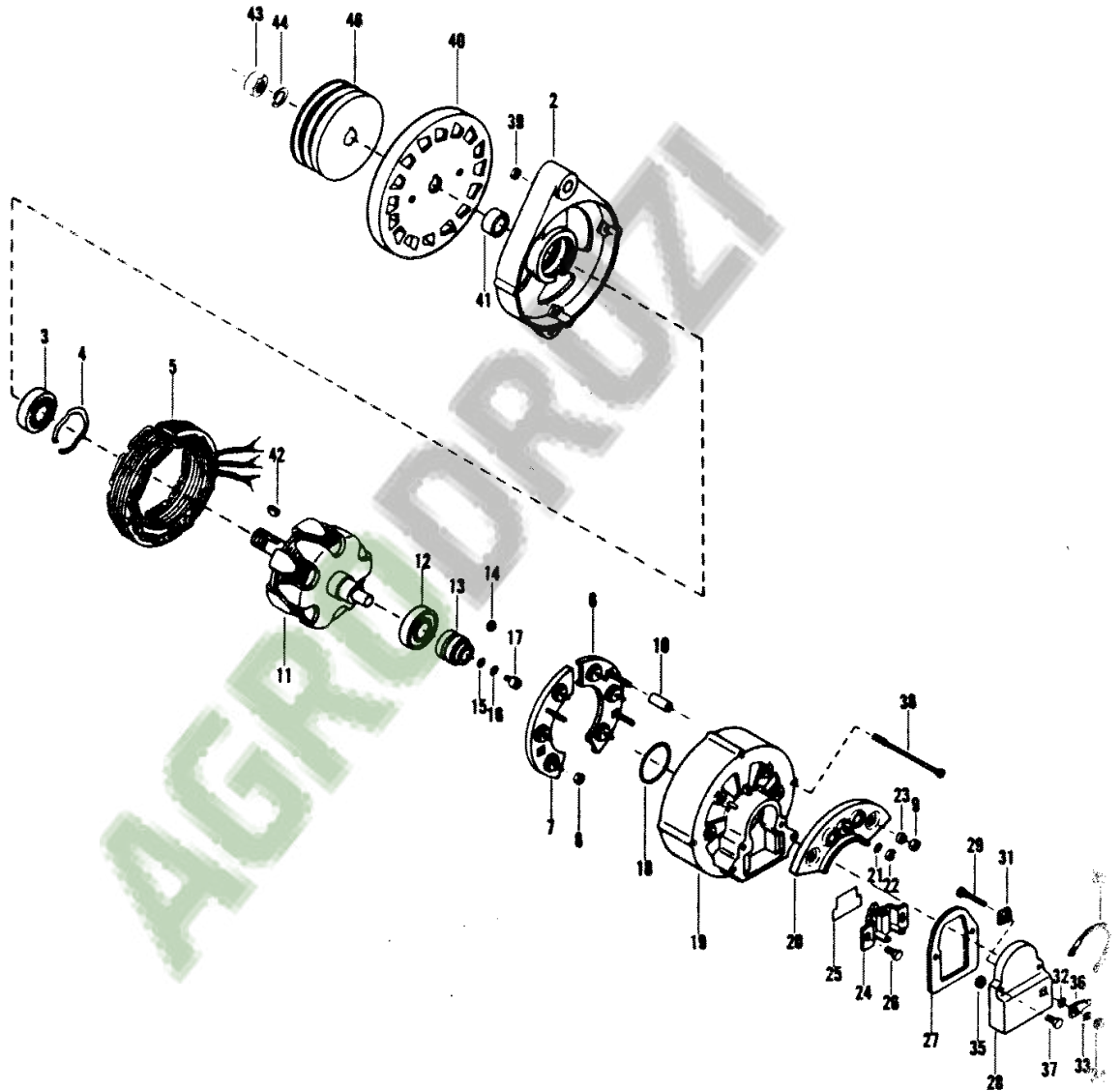
651 331 M95 (Issue 1) 2/79



ALTERNATOR

485

1696 123



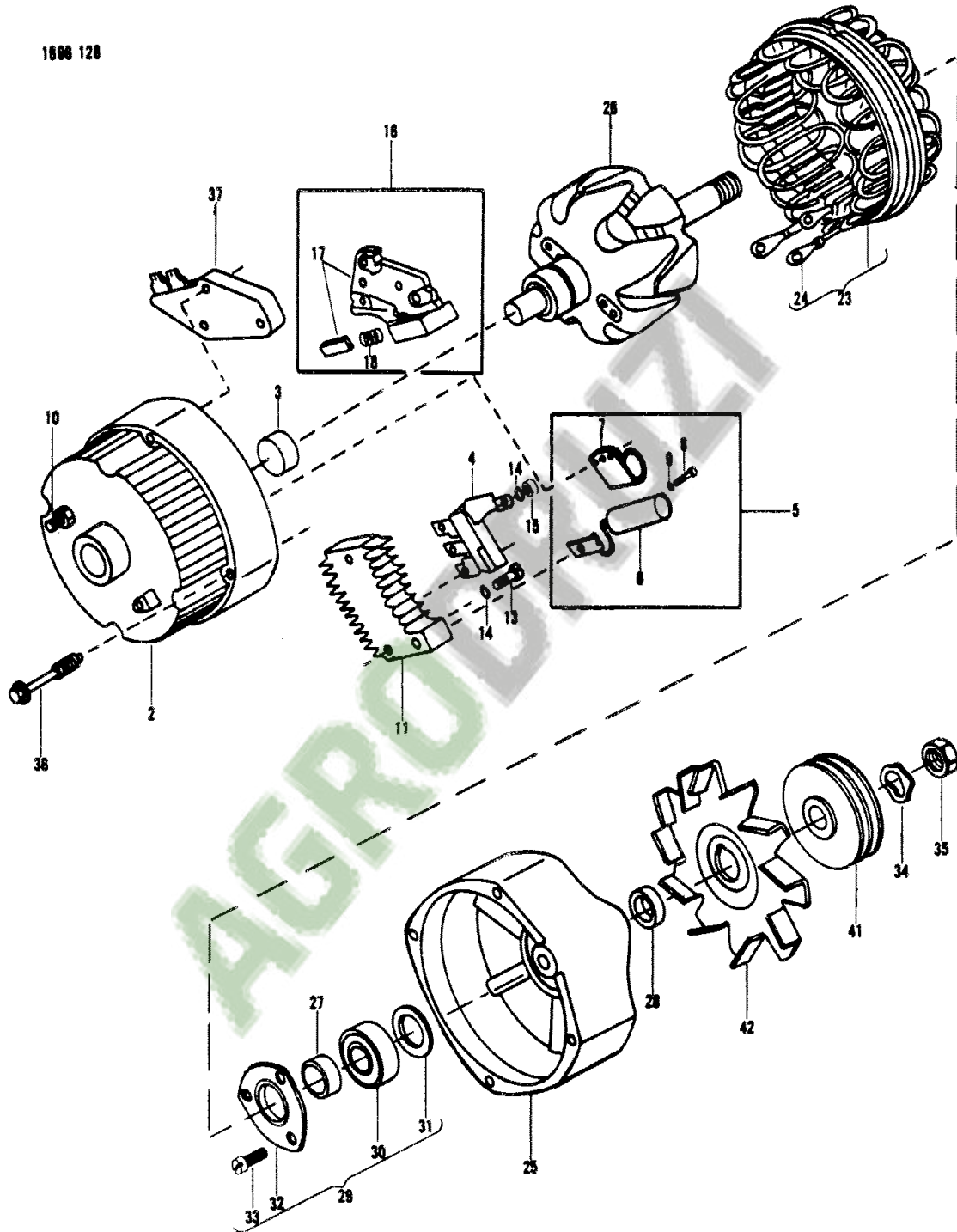
1st Print

651 331 M95 (Issue 1) 12/7

486

ALTERNATOR

1696 120



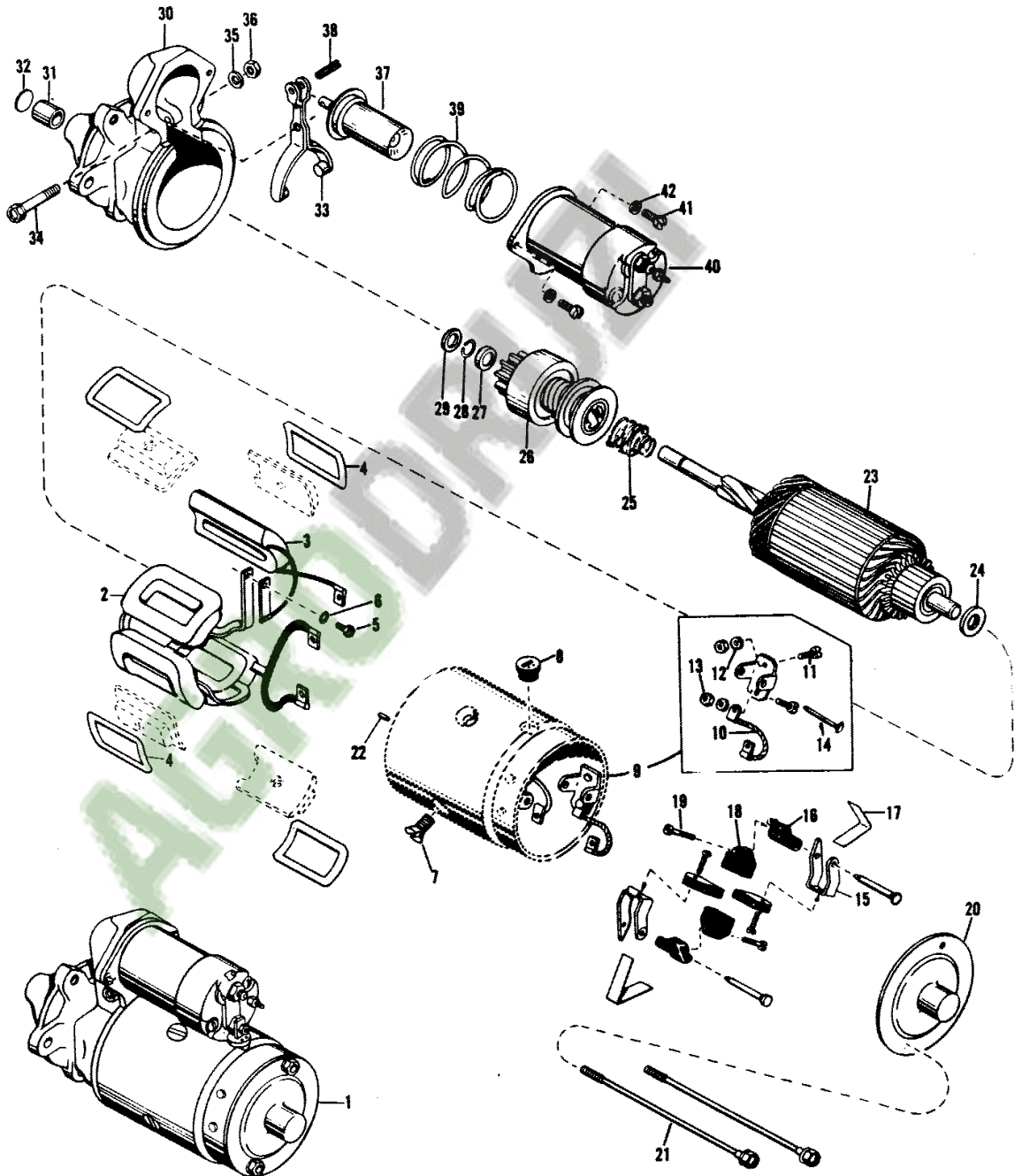
1st Print

651 331 M05 (Issue 1) 12/77

STARTER

489

1696 129



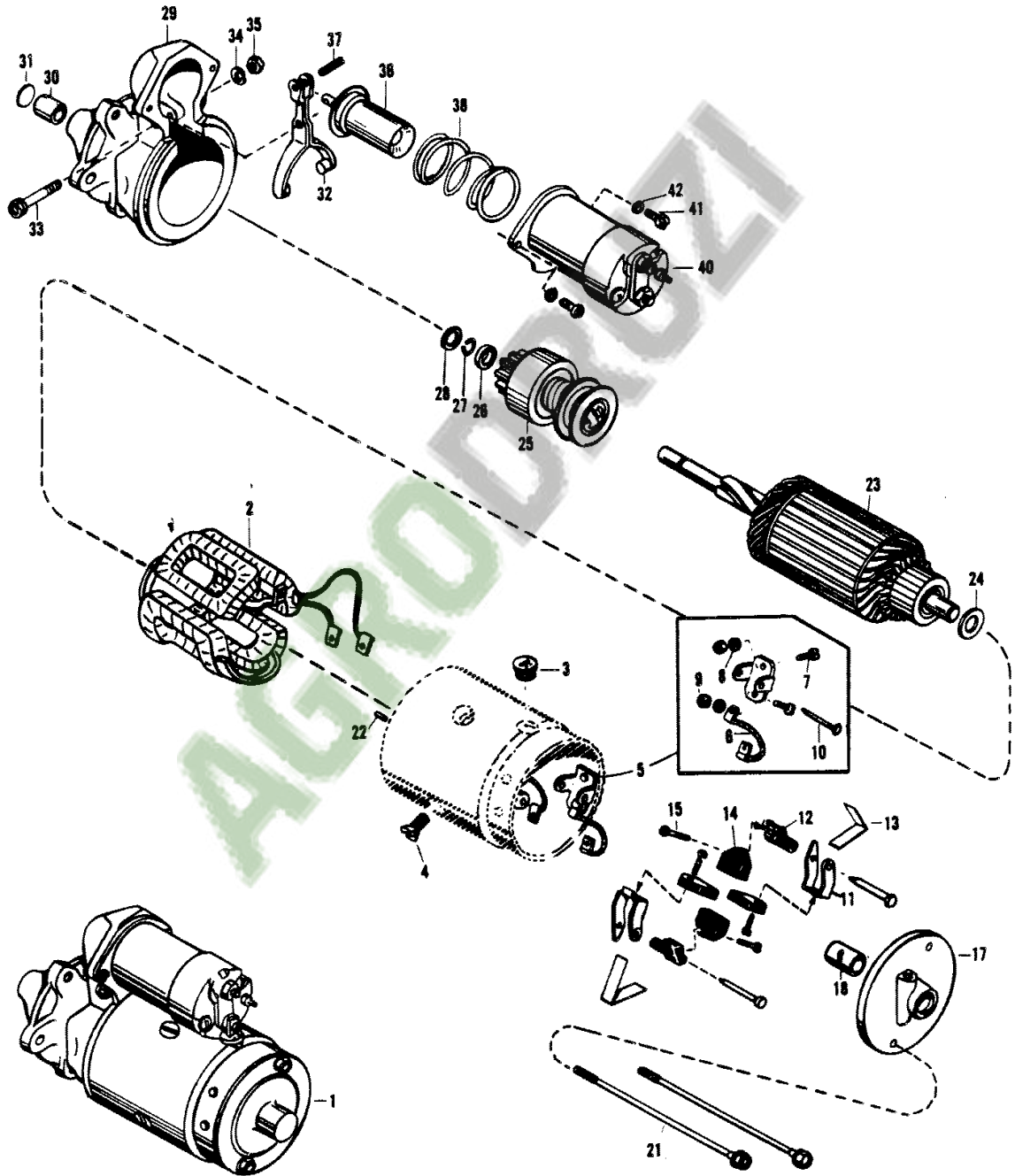
1st Print

651 331 M95 (Issue 1) 12/07

490

STARTER

1696 130



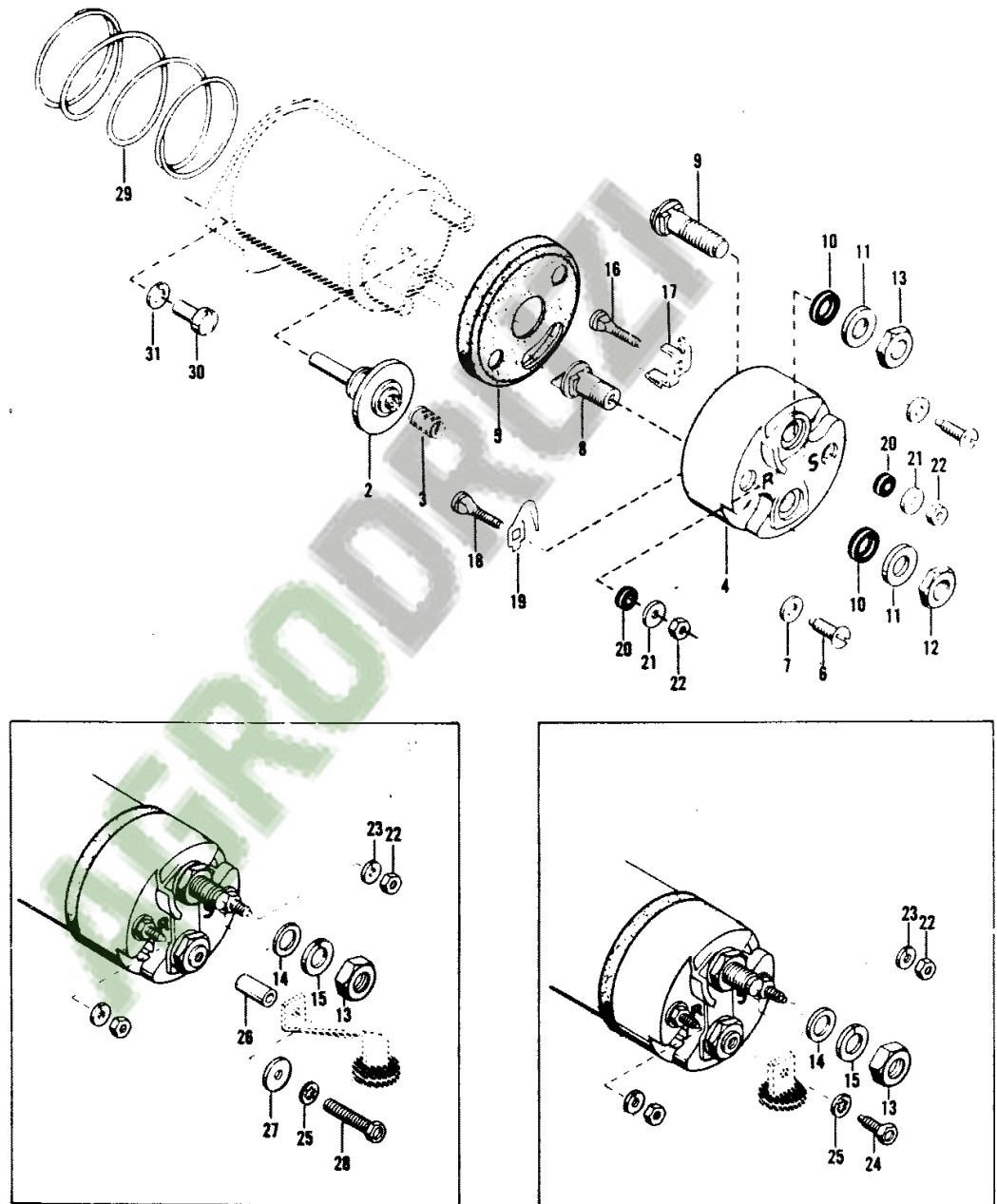
1st Print

651 331 M95 (Issue 1) 12/77

SOLENOID

493

1696 131



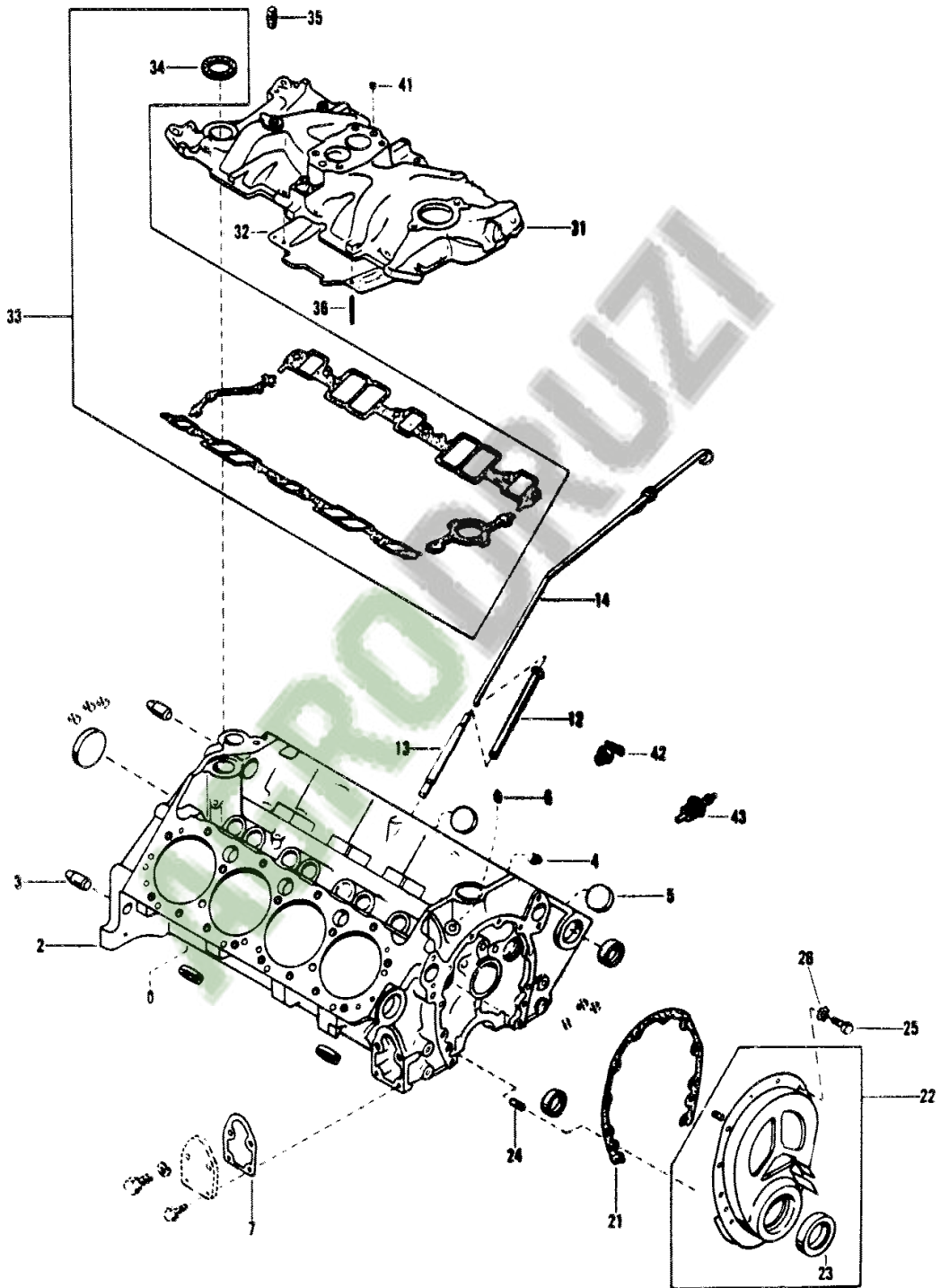
1st Print

651 331 M95 (Issue 1) 12/97

194

ENGINE ASSEMBLY, CYLINDER BLOCK

1696 132



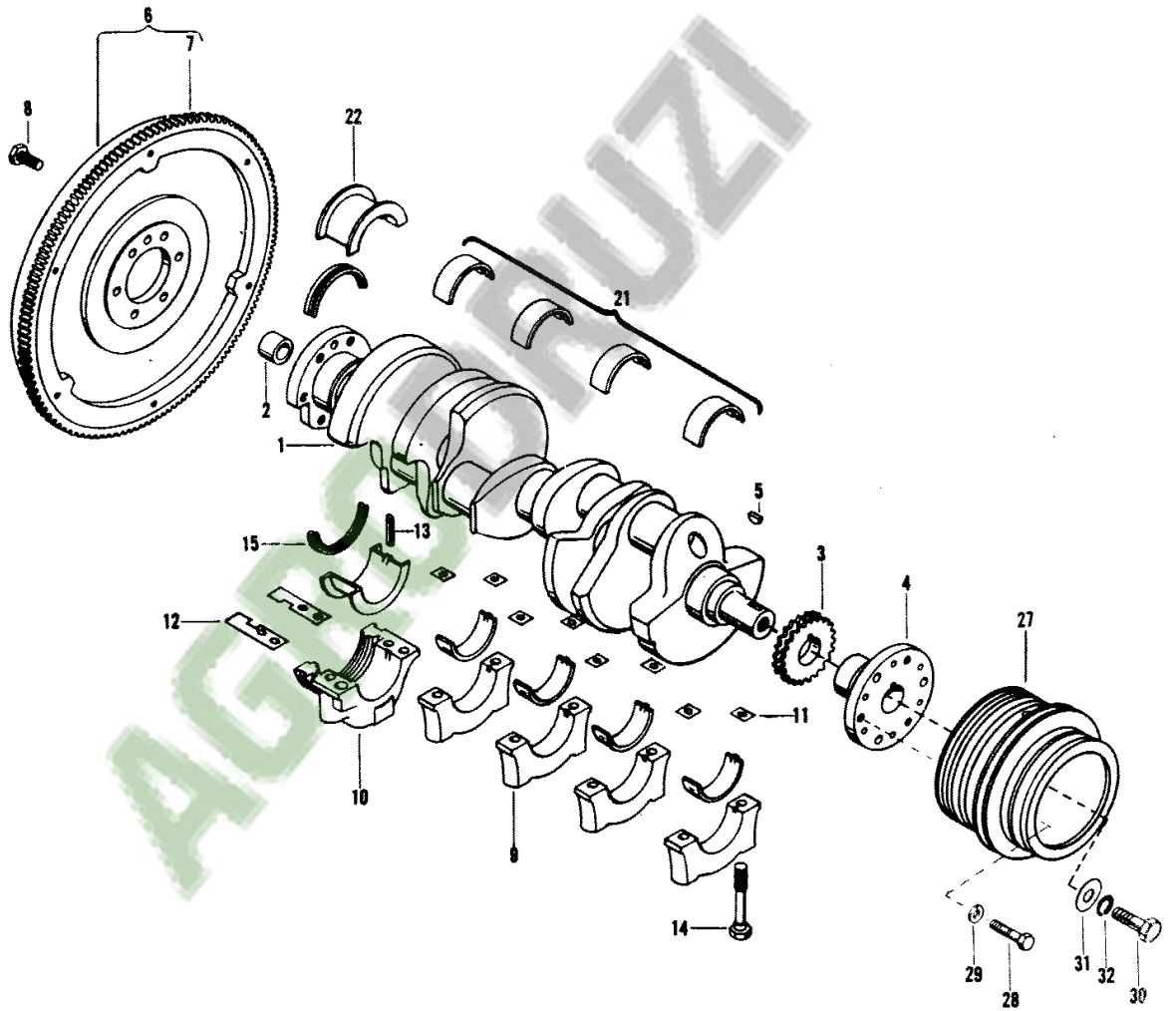
1st Print

651 331 M95 (Issue 1) 12/77

CRANKSHAFT, FLYWHEEL

497

1696 133



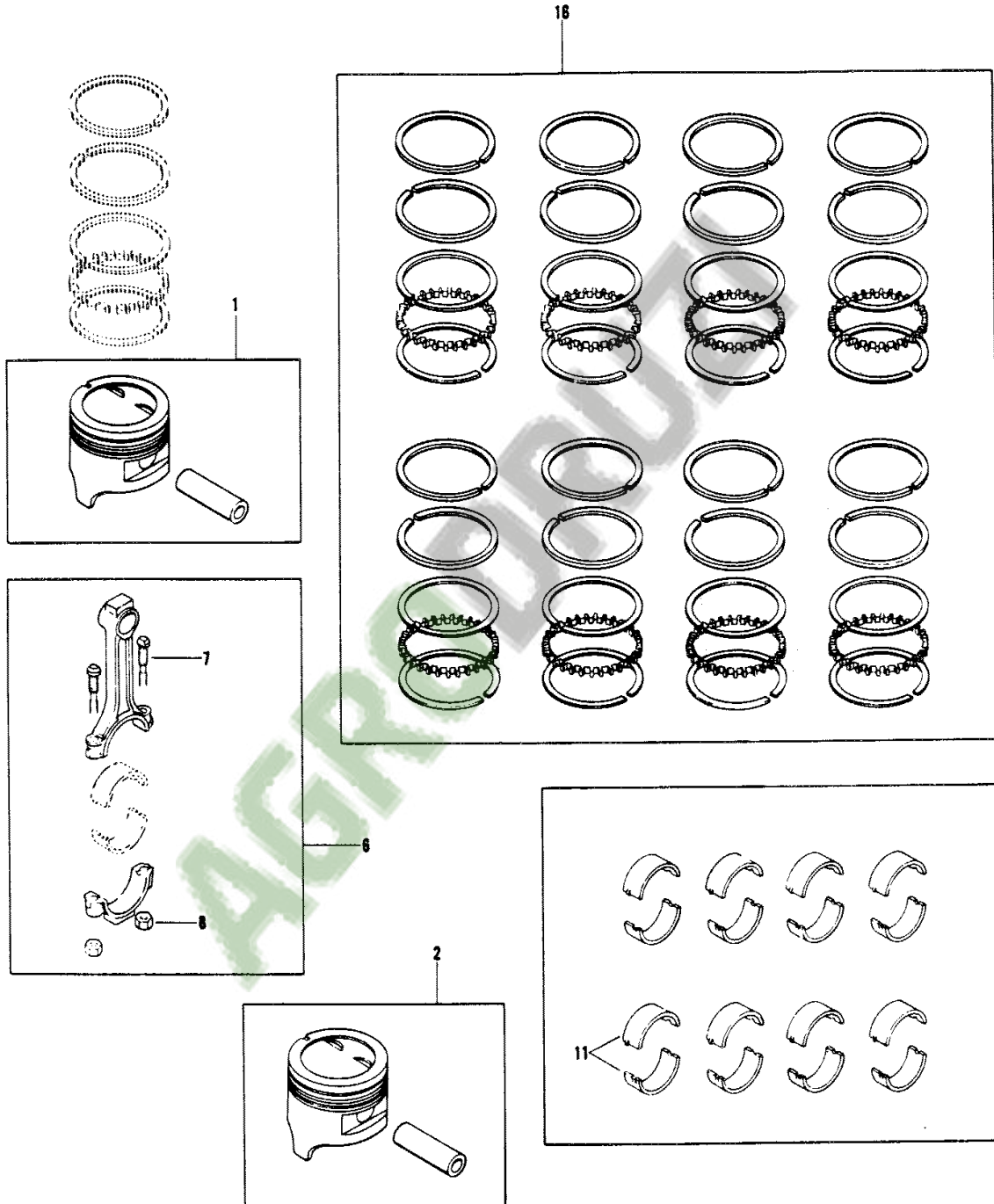
1st Print

651 331 M95 (Issue 1) 12/77

498

PISTONS, RINGS, CONNECTING RODS

1696 134



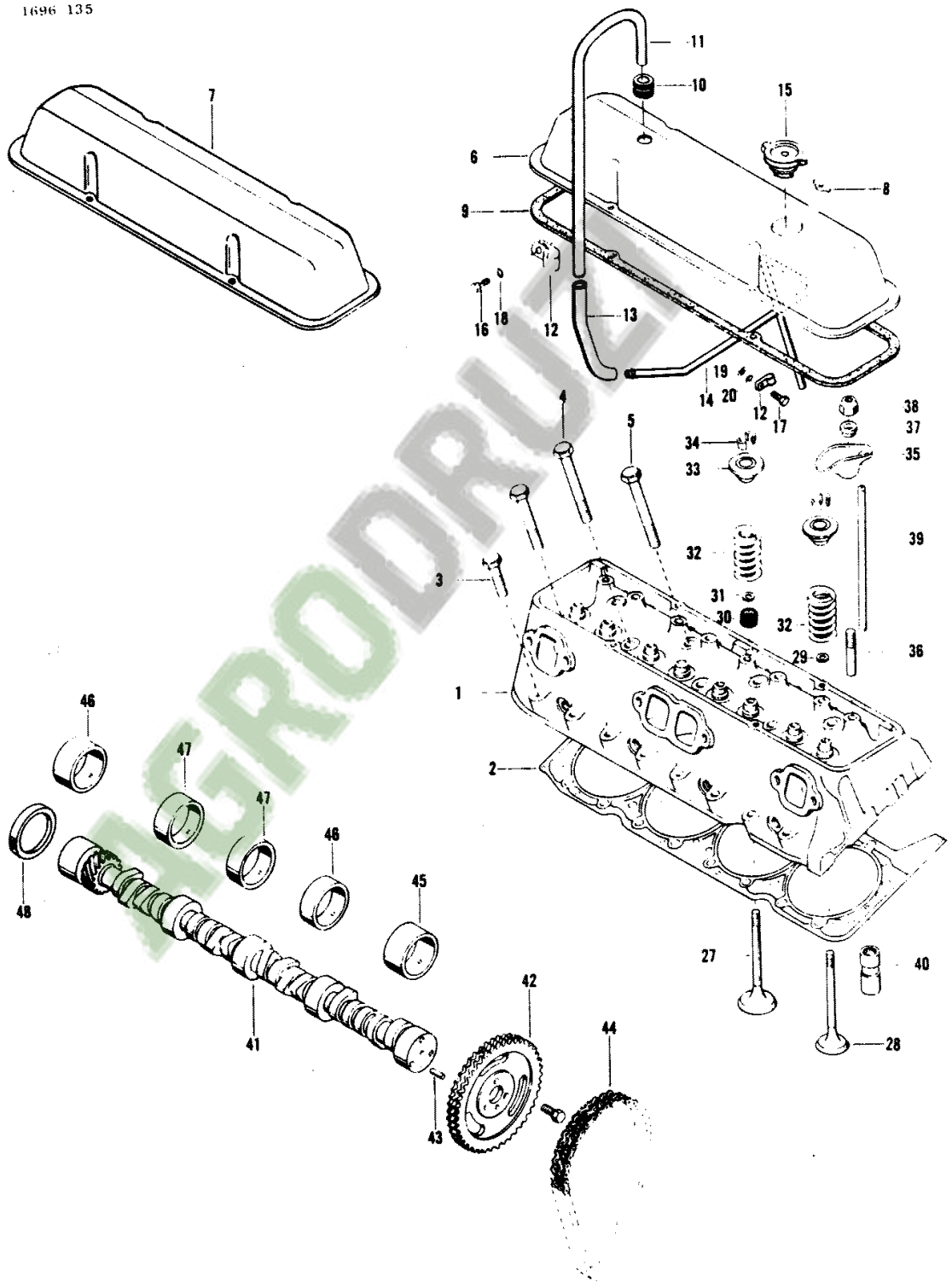
1st Print

651 331 M95 (Issue 1) 12/77



CYLINDER HEAD, CAMSHAFT

501



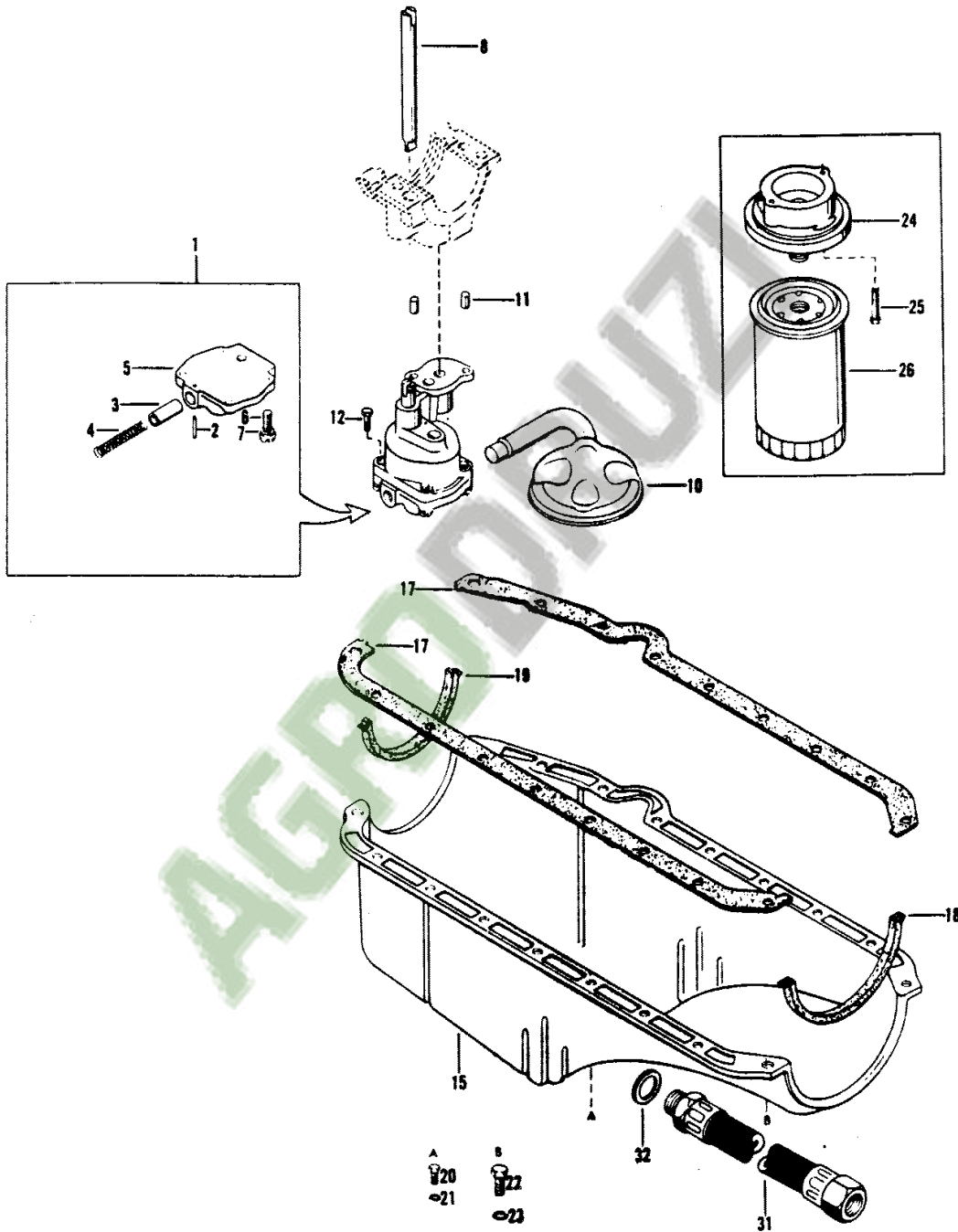
1st Print

651 331 M95 (Issue 1) 12/77

502

OIL PUMP, OIL PAN

1696 136



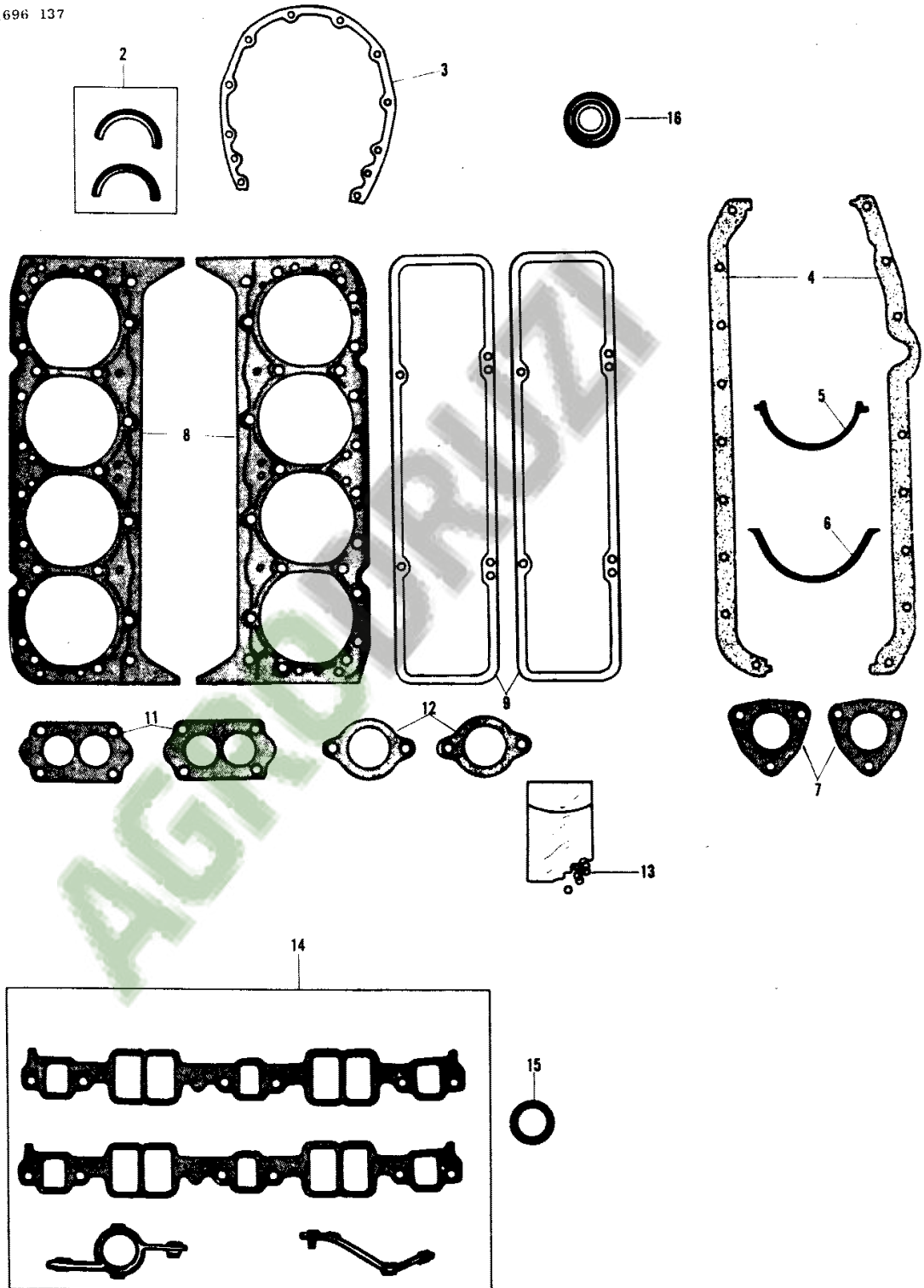
1st Print

651 331 M95 (Issue 1) 12/77

GASKETS

505

1696 137



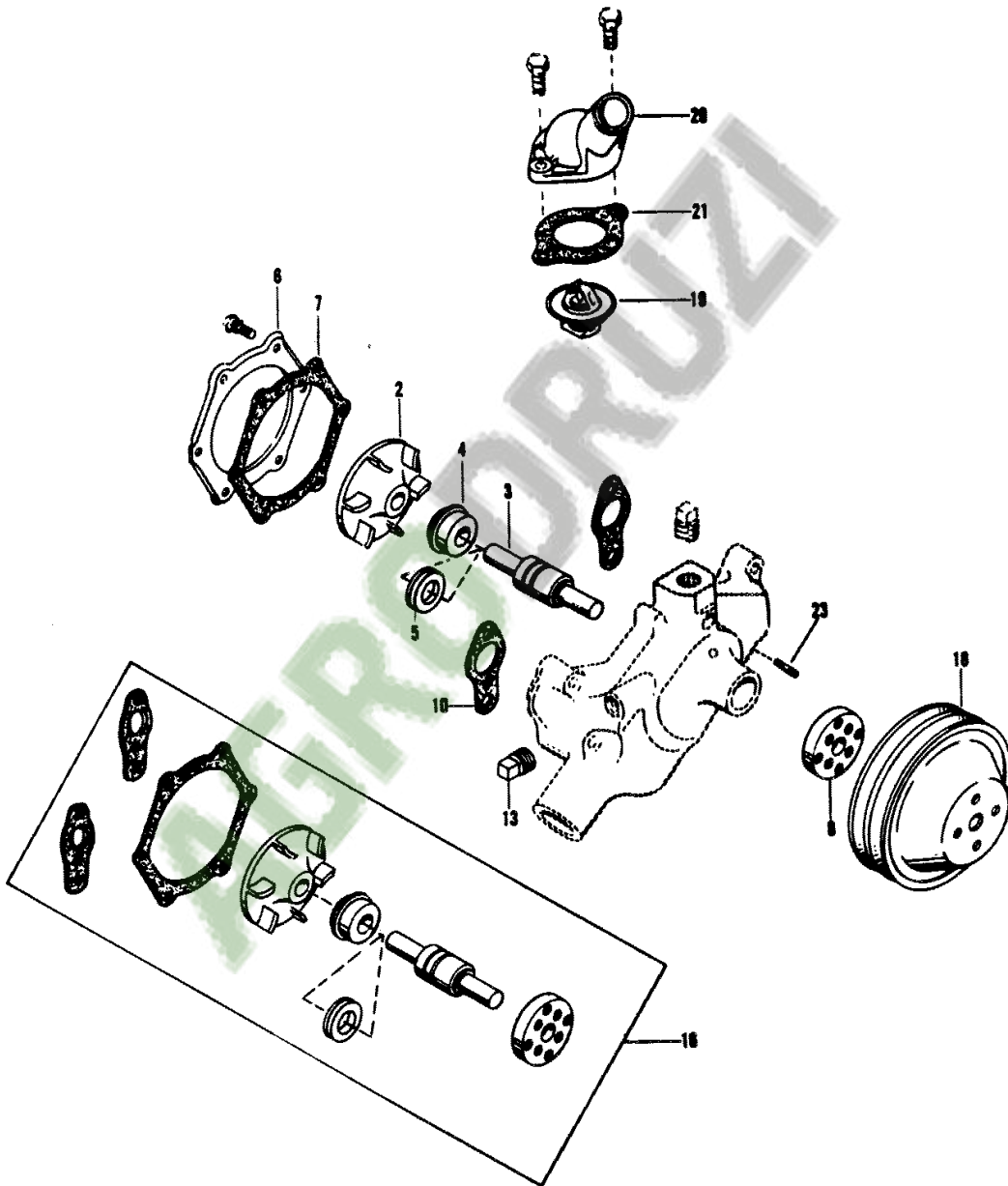
1st Print

651 331 M95 (Issue 1) 12/77

506

WATER PUMP

1696 138



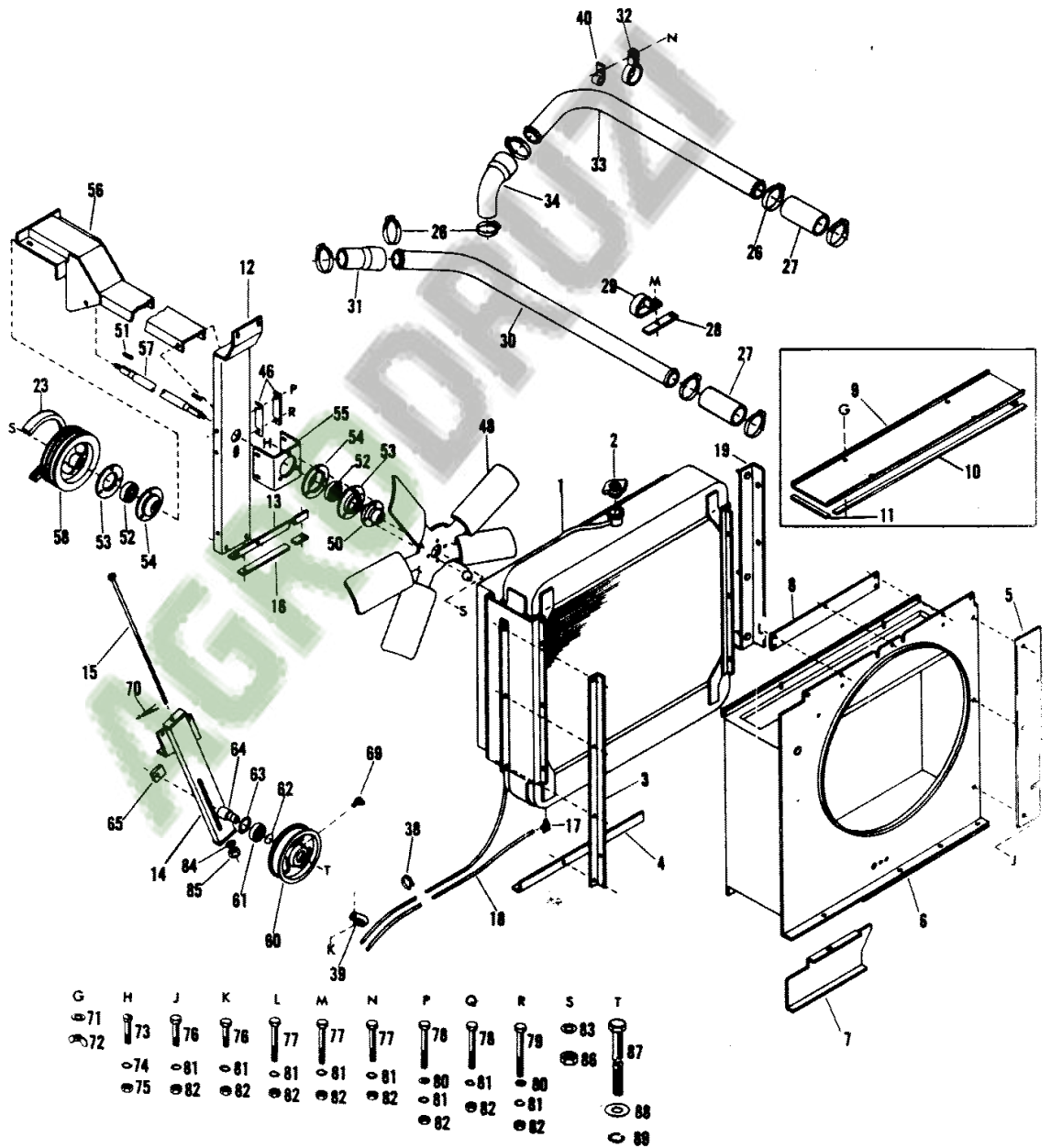
1st Print

651 331 M05 (Issue 1) 12/77

RADIATOR, FAN, DRIVE

509

1696 139 -3

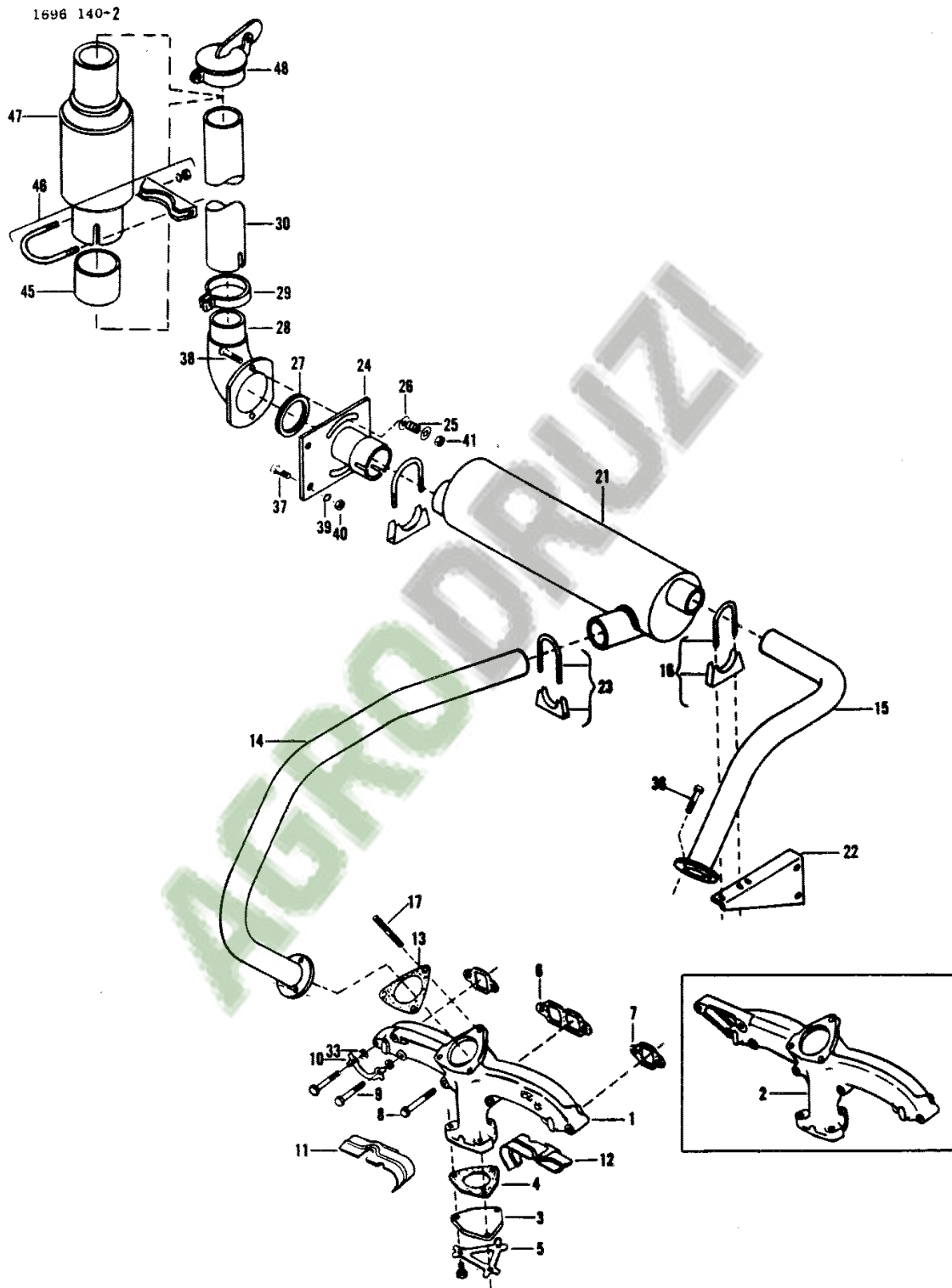


77-87

651 331 M95 (Issue 1) 12/00

510

MANIFOLD, EXHAUST



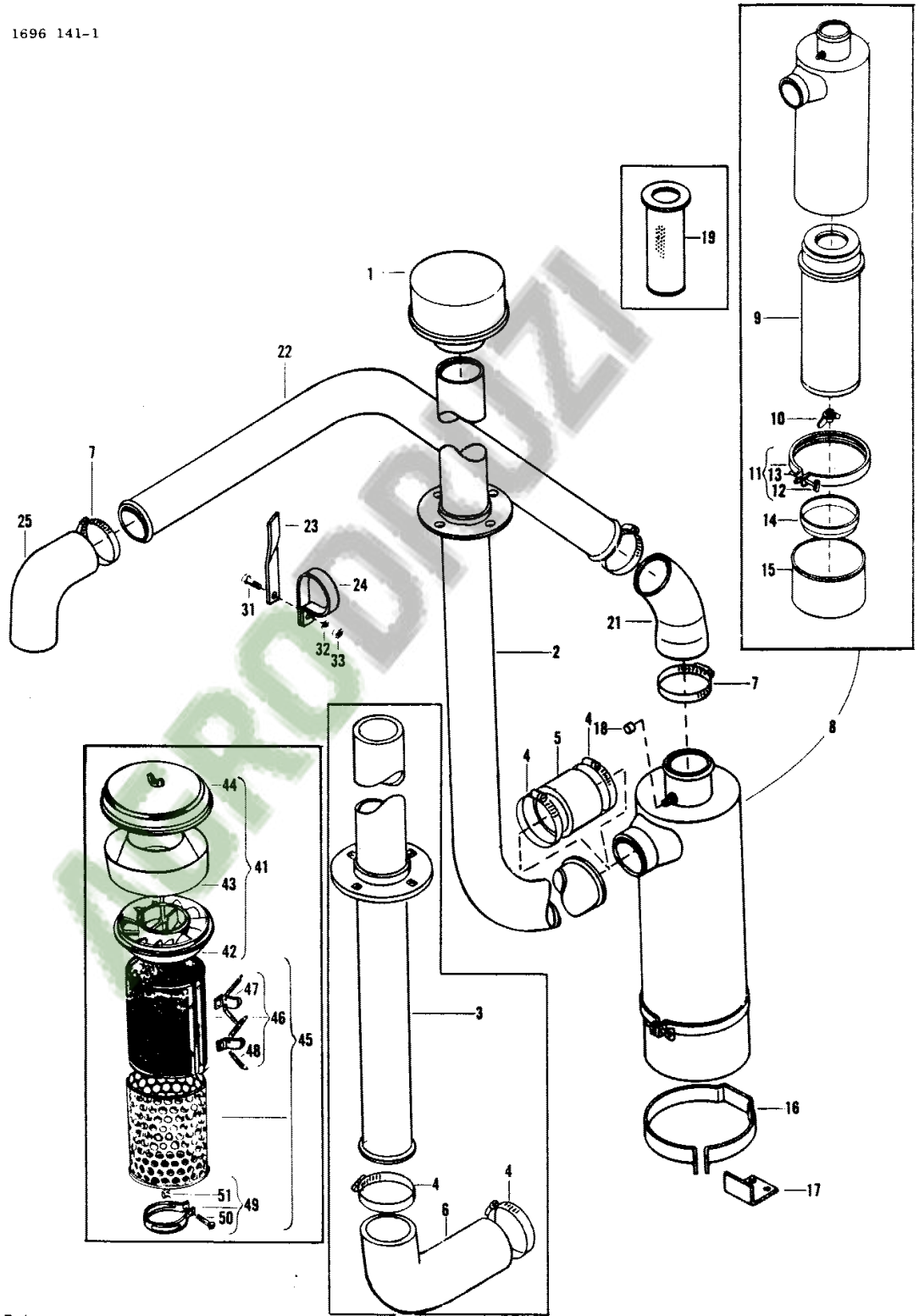
1st Print

651 331 M95 (Issue 1) 12/77

AIR CLEANER

513

1696 141-1

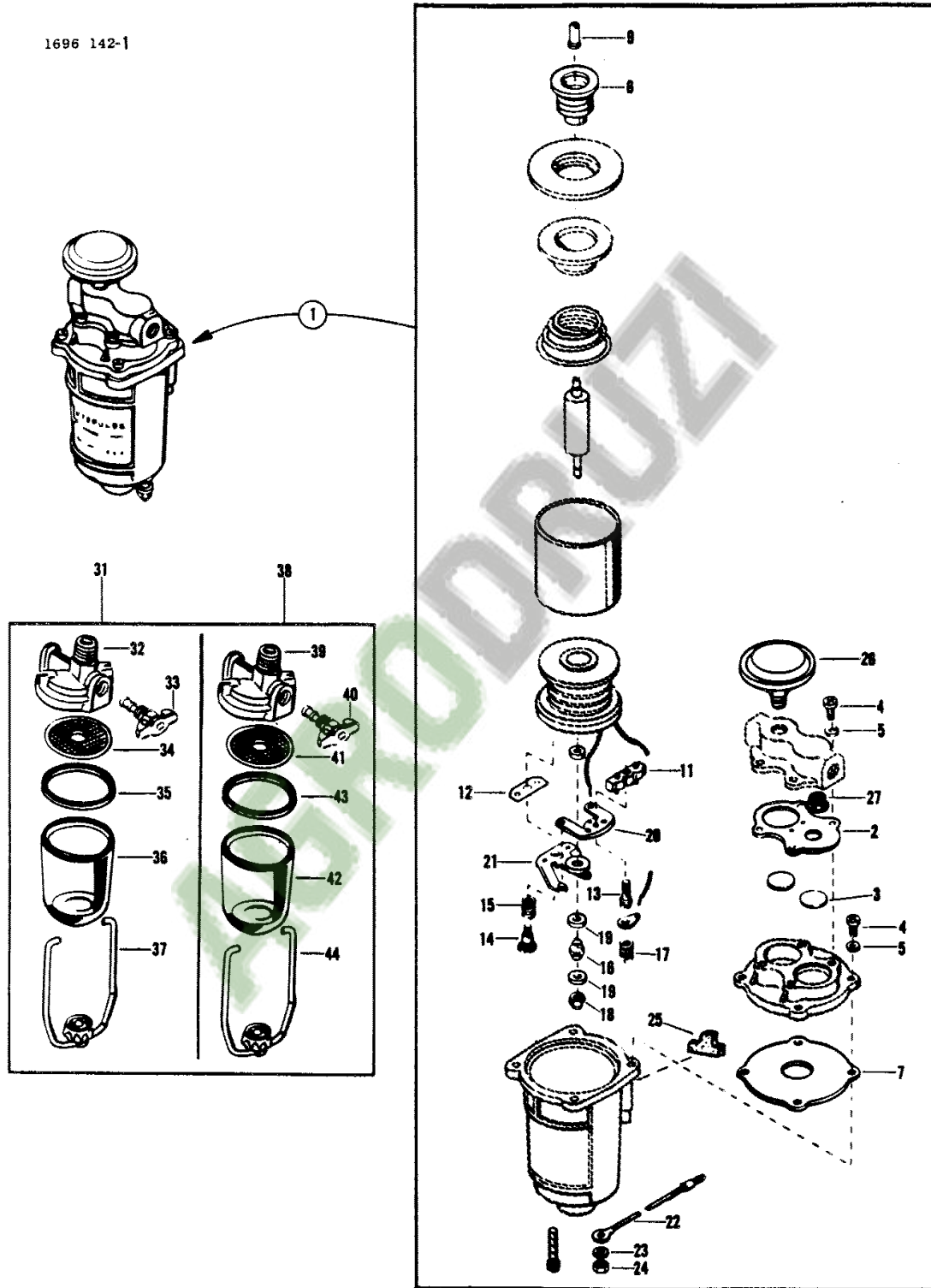


1st Print

651 331 M95 (Issue 1) 12/77

514

ELECTRIC FUEL PUMP



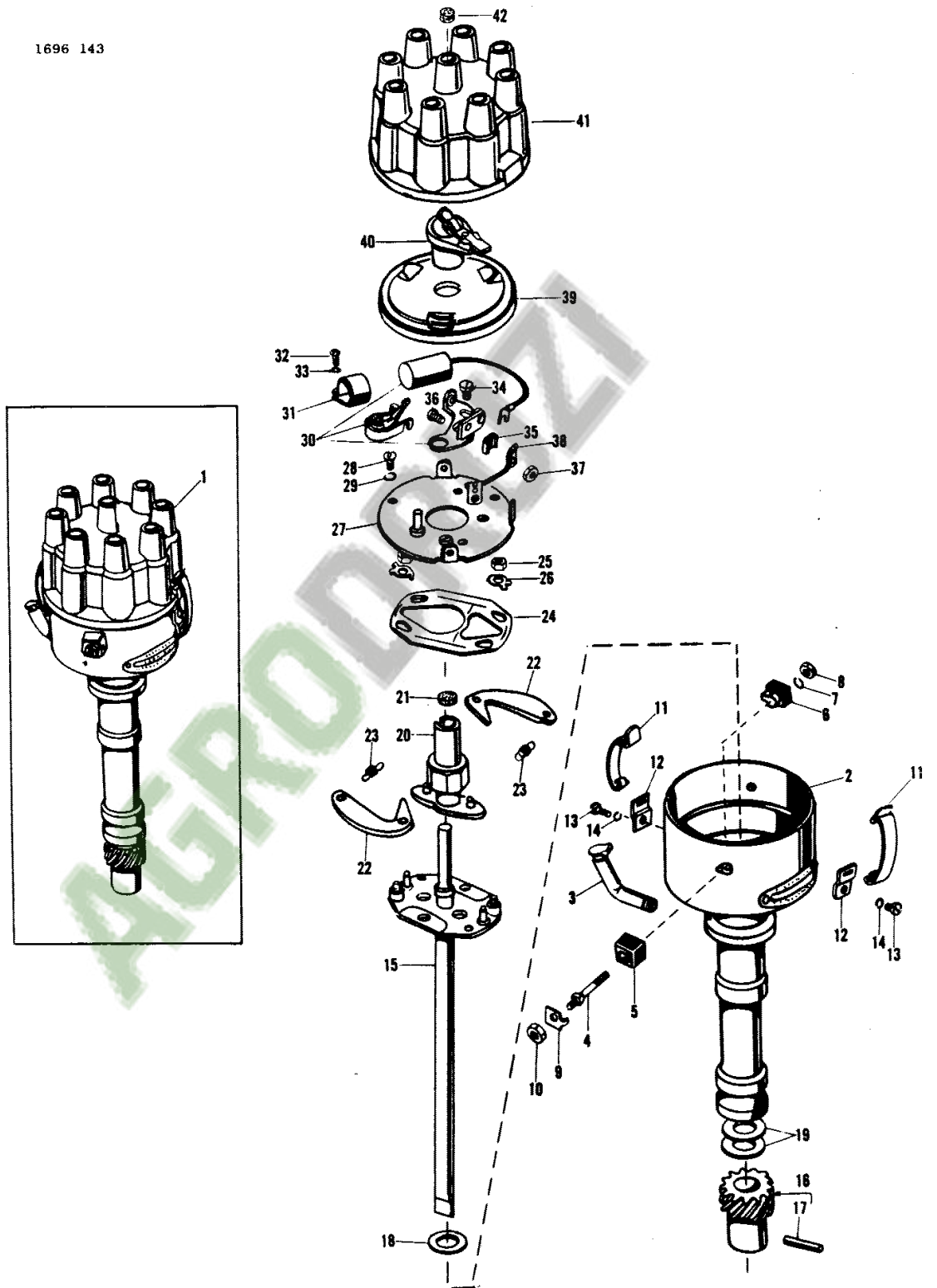
1st Print

651 331 M95 (Issue 1) 12/77



1696 143

DISTRIBUTOR



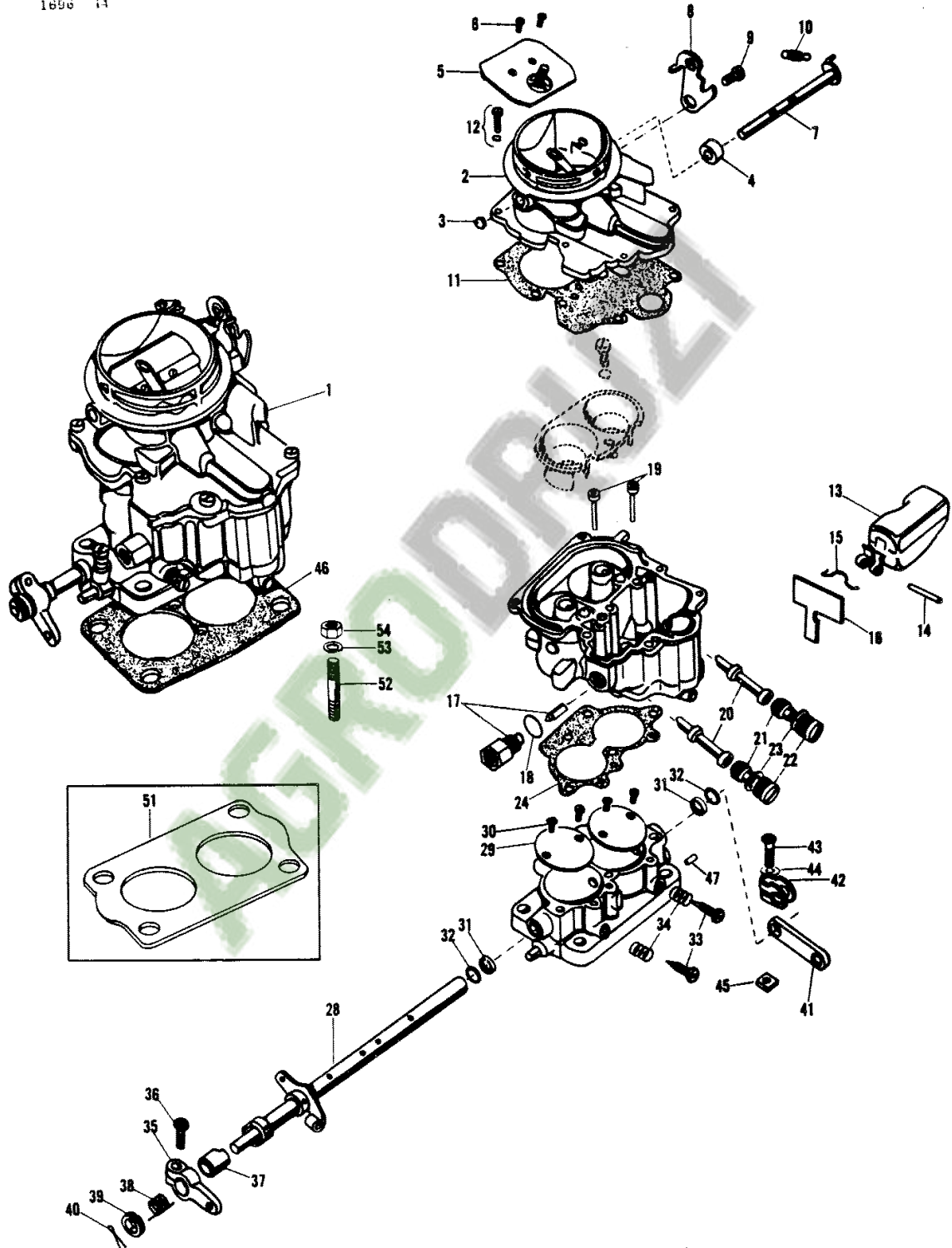
1st Print

651 331 M95 (Issue 1) 12/07

518

CARBURETER

1696 14



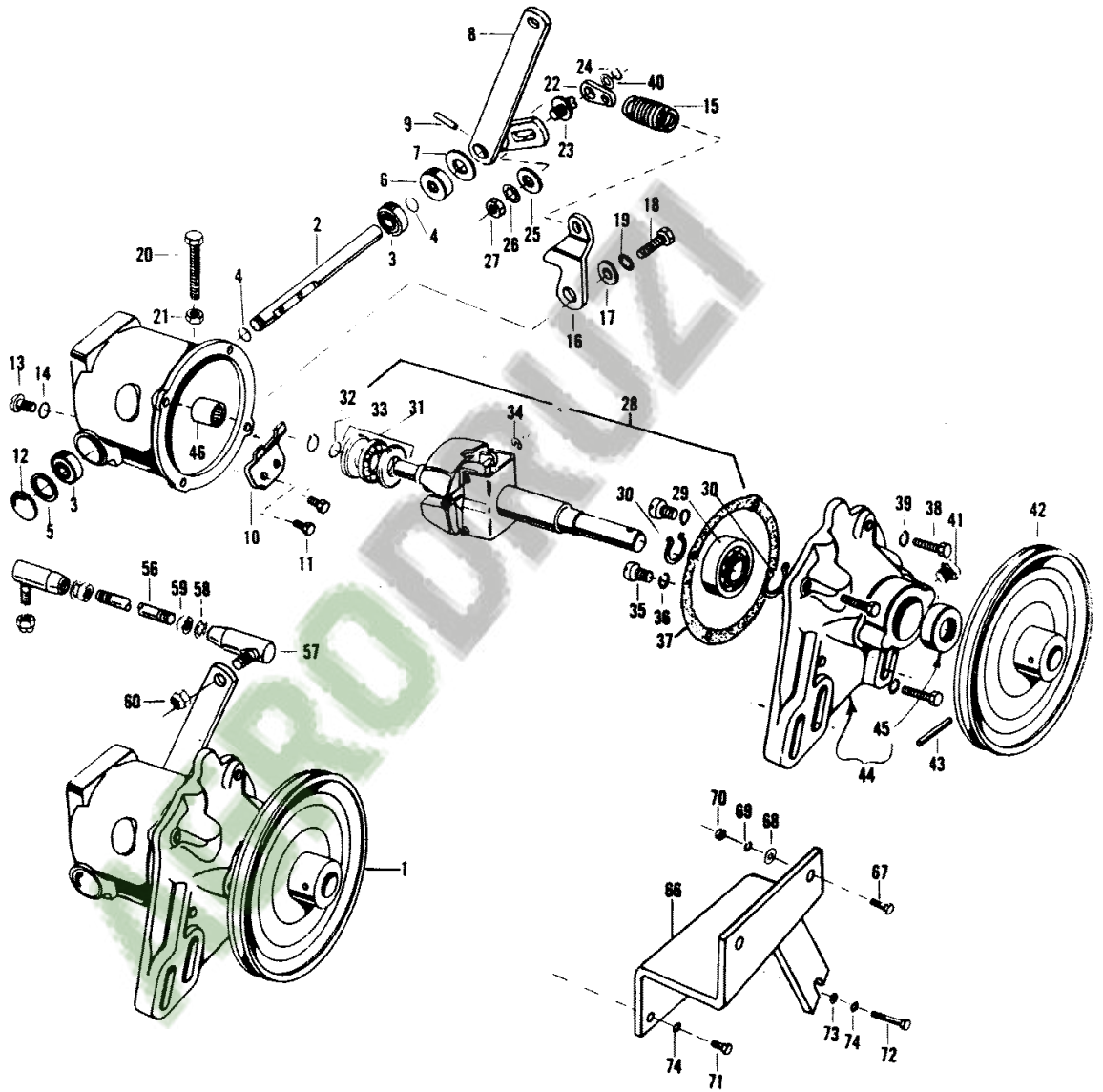
1st Print

651 331 M95 (Issue 1) 12/77

GOVERNOR

521

1696 145



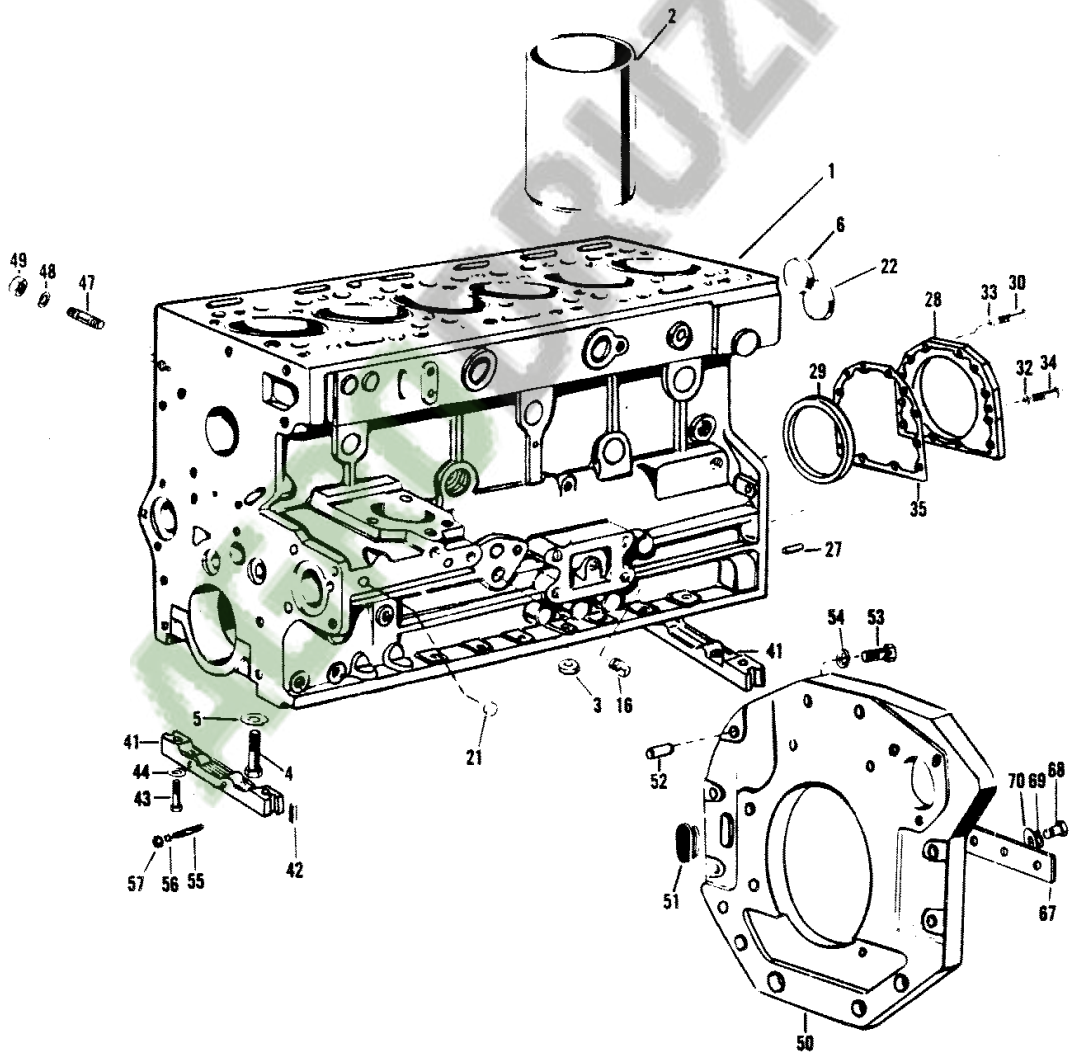
1st Print

651 331 M95 (Issue 1) 12/77

521A

CYLINDER BLOCK

1696 334

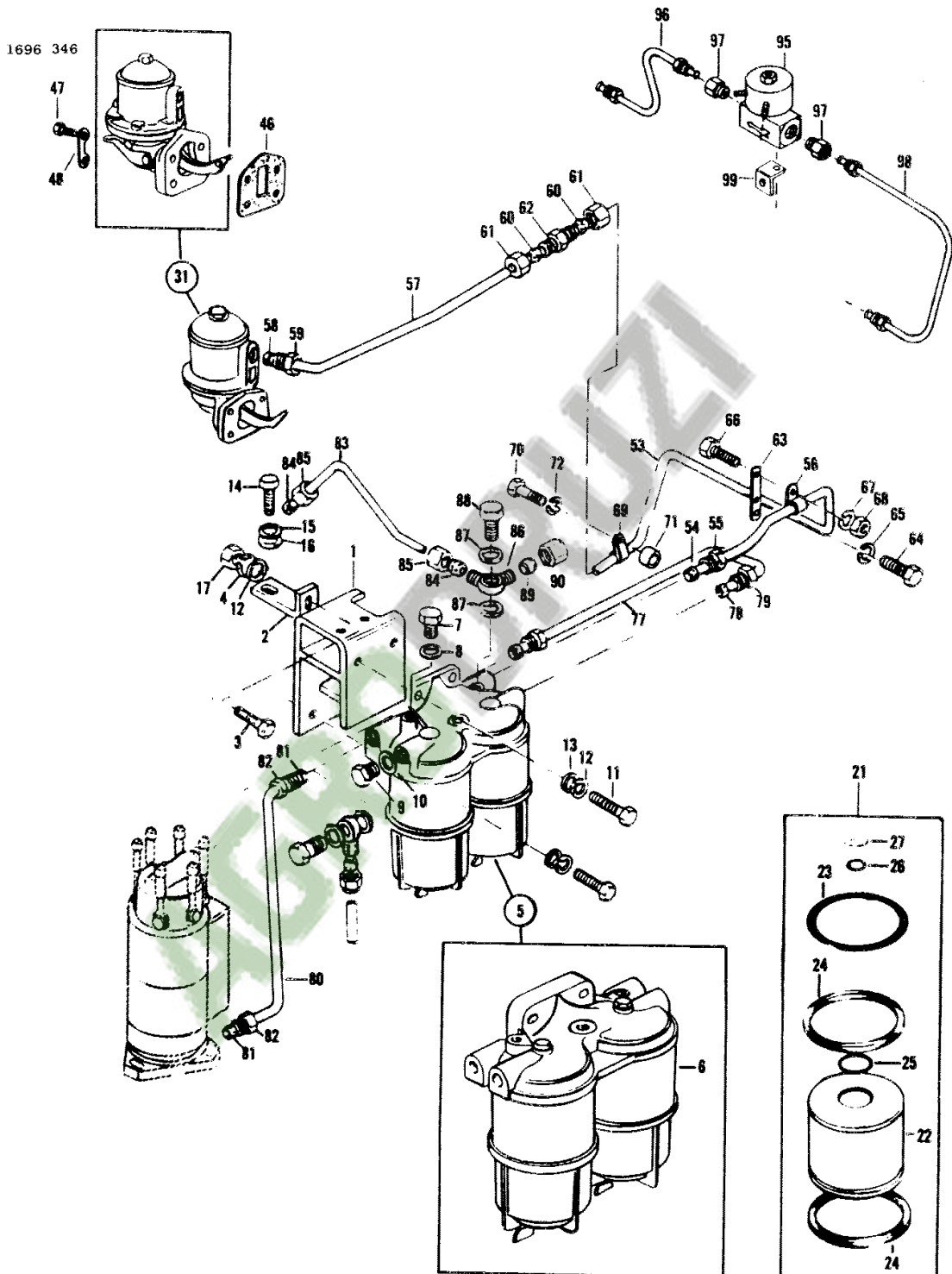


80-1

651 331 M95 (Issue 2) 11/79

521AA

FUEL FILTERS AND LINES



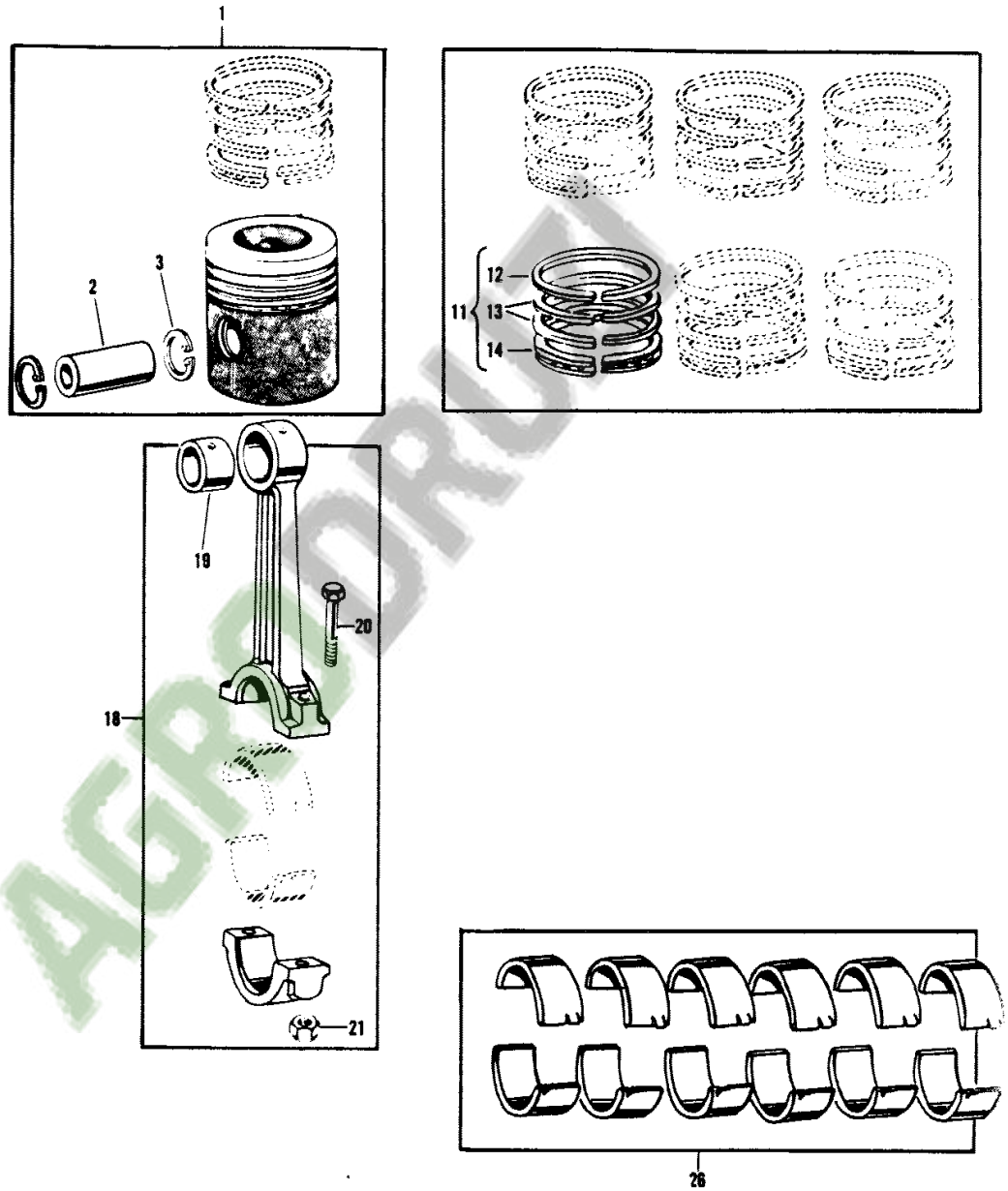
79-16

651 331 M85 (Issue 2) 2/79

PISTON RINGS AND RODS

521D

1696 335



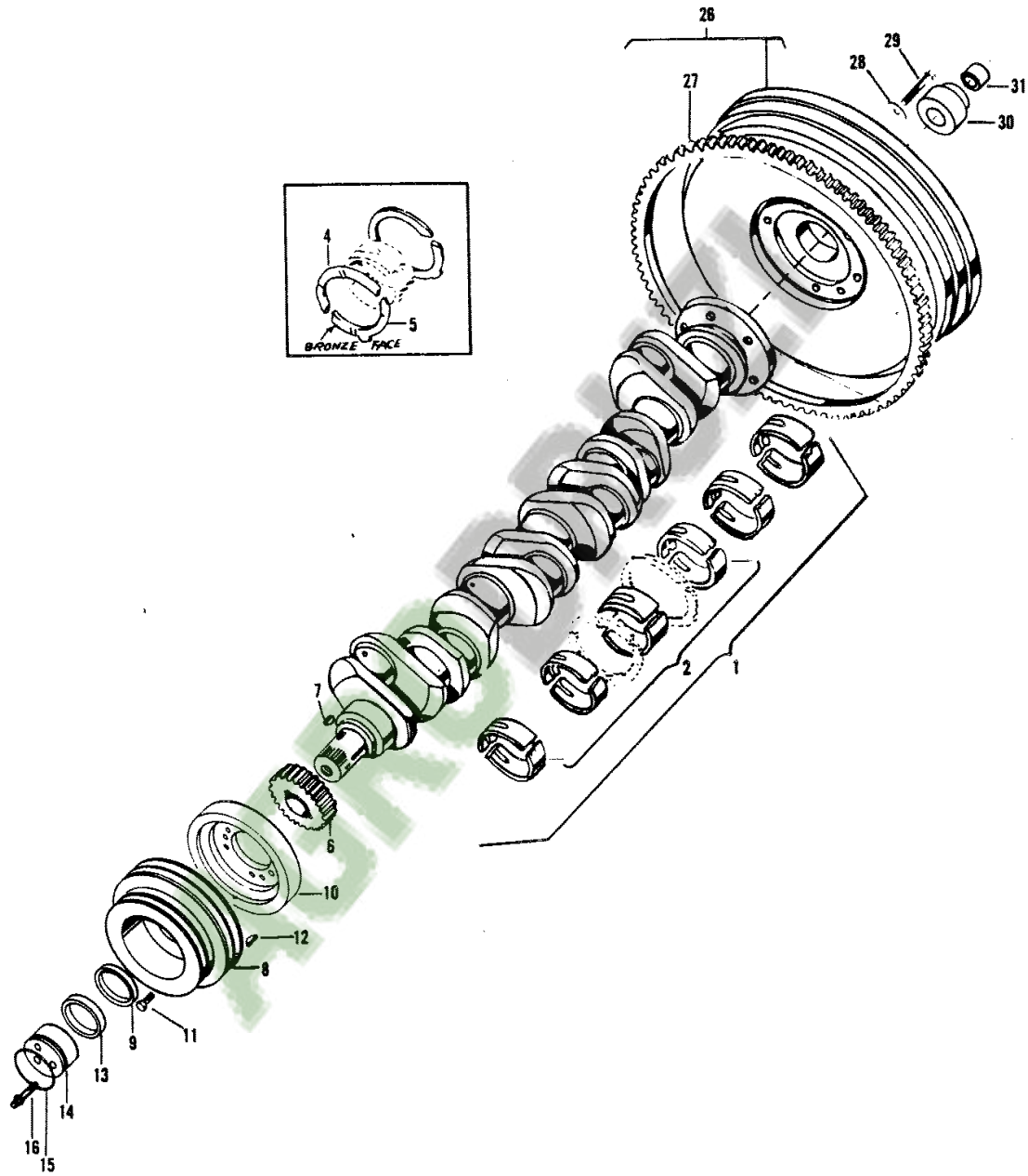
78-65

651 331 M95 (Issue 1) 8/7c

521E

CRANKSHAFT AND FLYWHEEL

1696019595



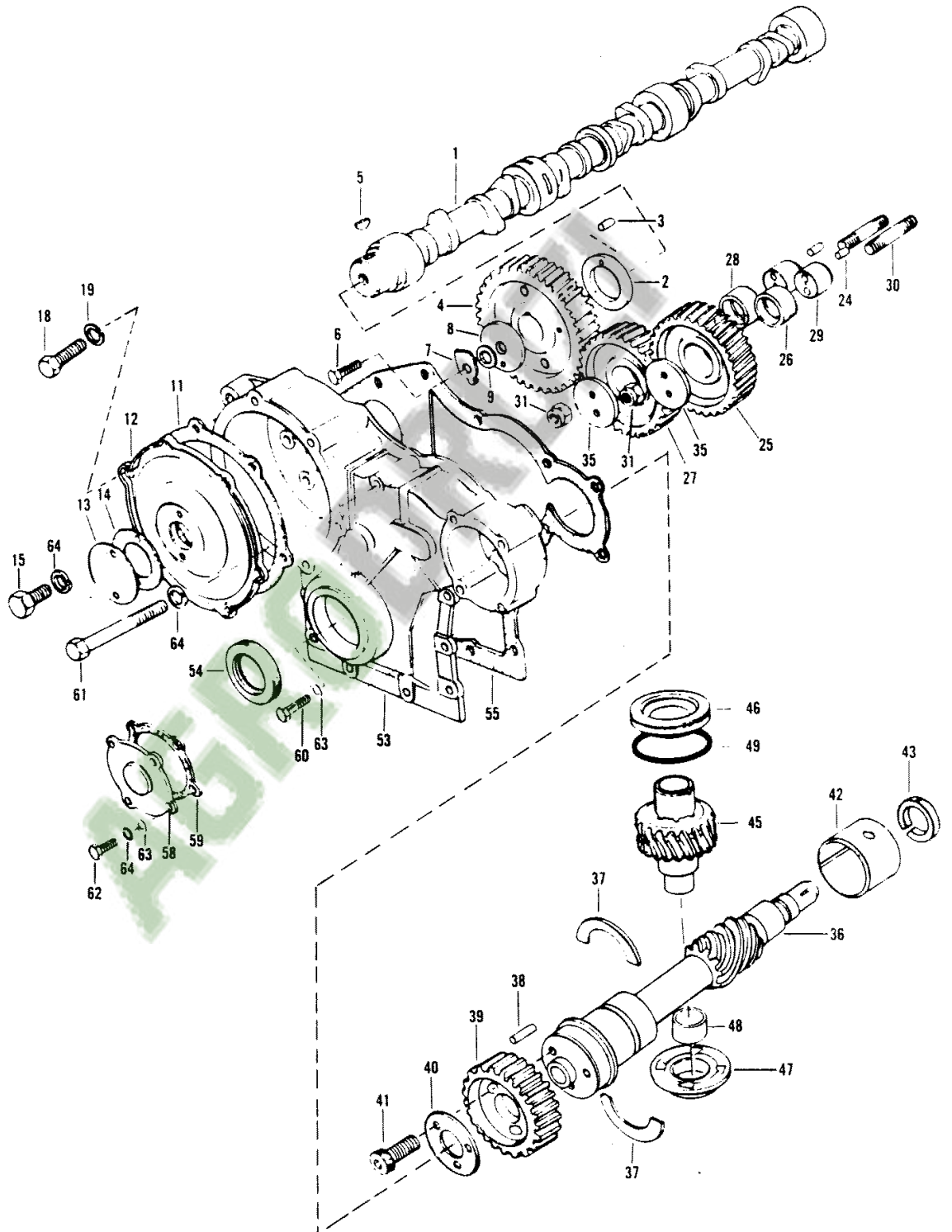
80-1

651 331 M95 (Issue 2) 11/79

CAMSHAFT AND TIMING GEAR

521H

1696 337



78-65

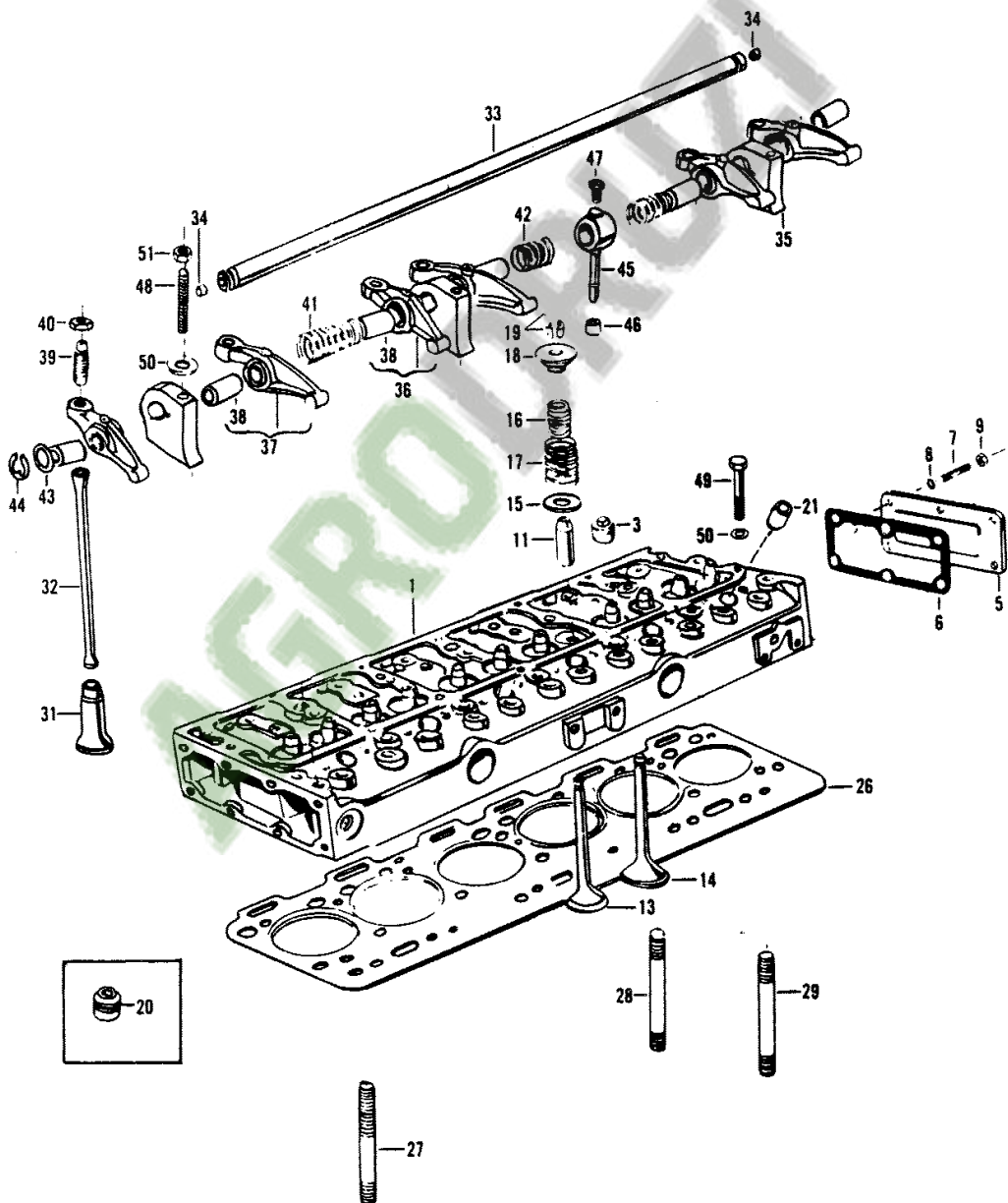
651 331 M95 (Issue 1) 8/78



521J

CYLINDER HEAD

1696 038



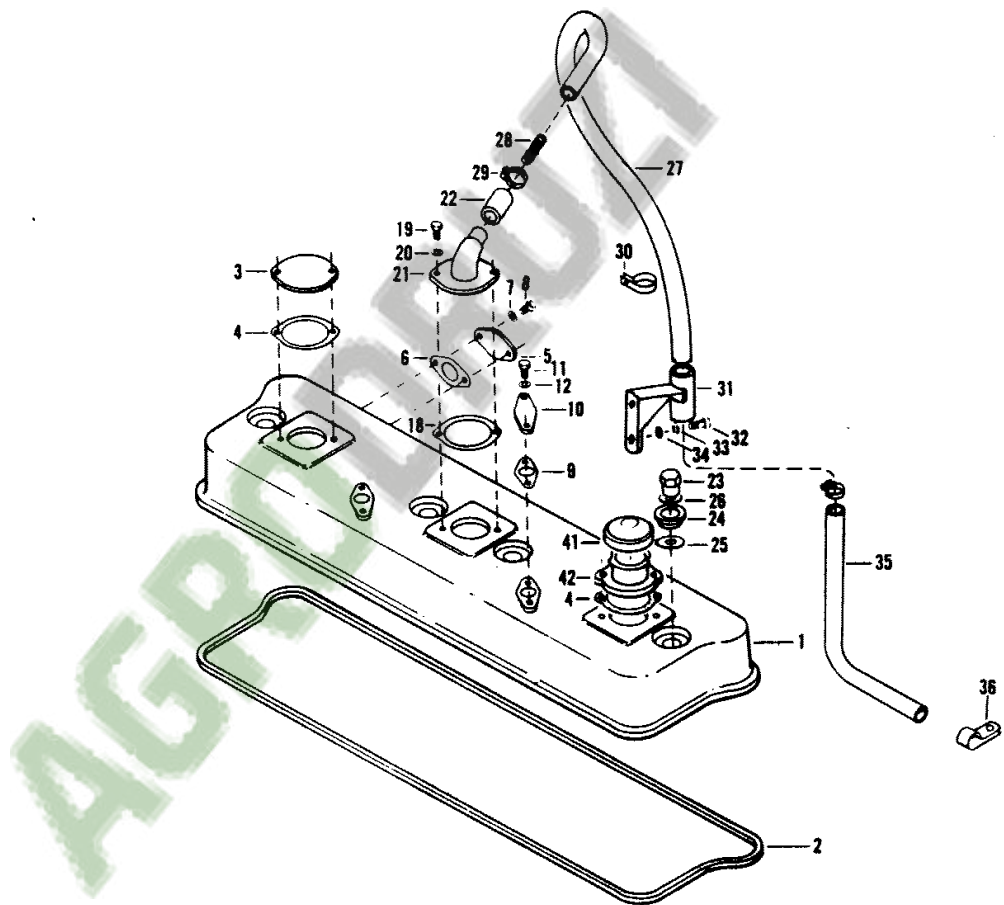
78-65

651 331 M95 (Issue 1) 8/78

CYLINDER HEAD COVER

521M

1696 339-1



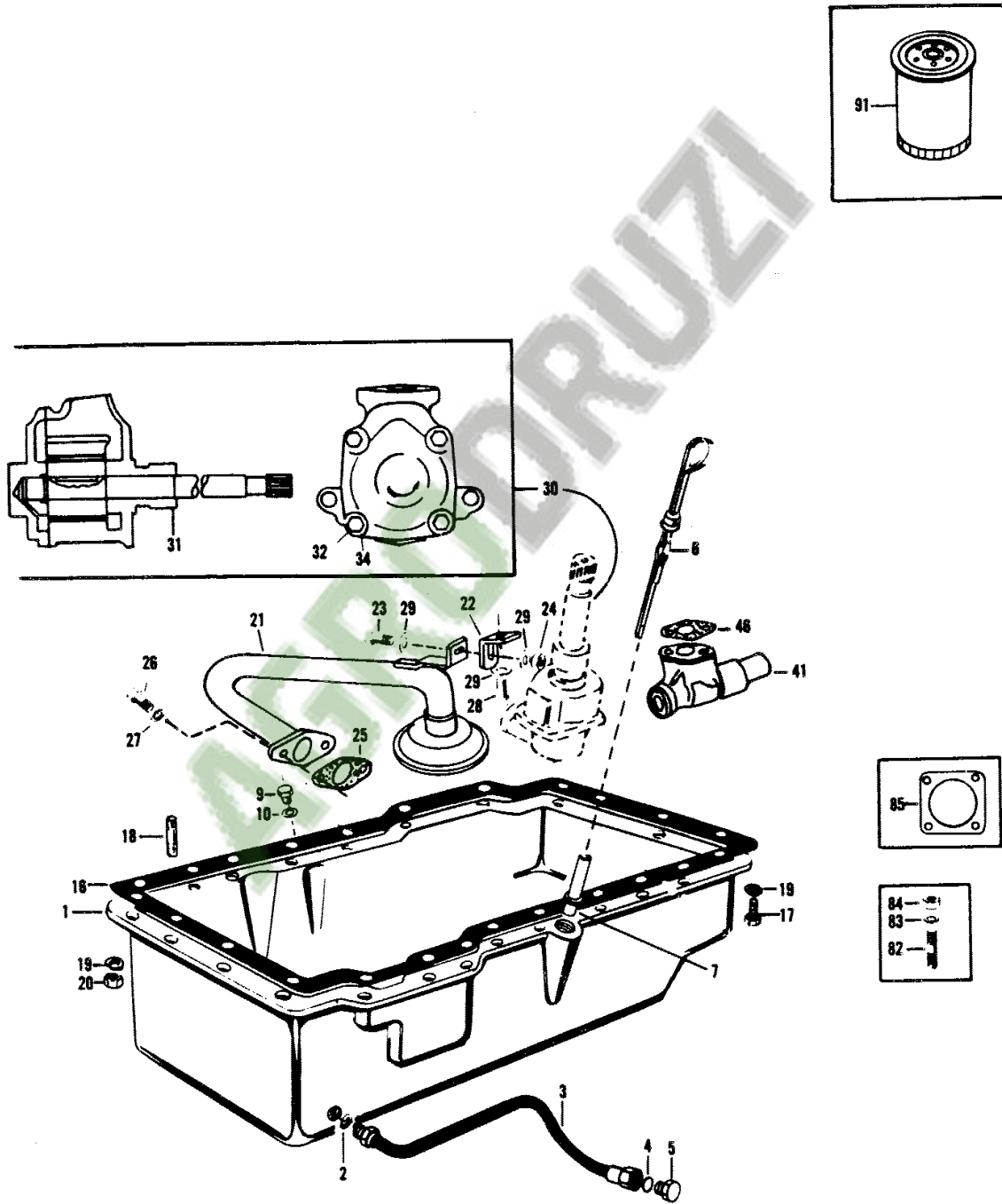
79-16

651 331 M95 (Issue 2) 2/79

521N

OIL PAN, PUMP AND FILTER

1696 340



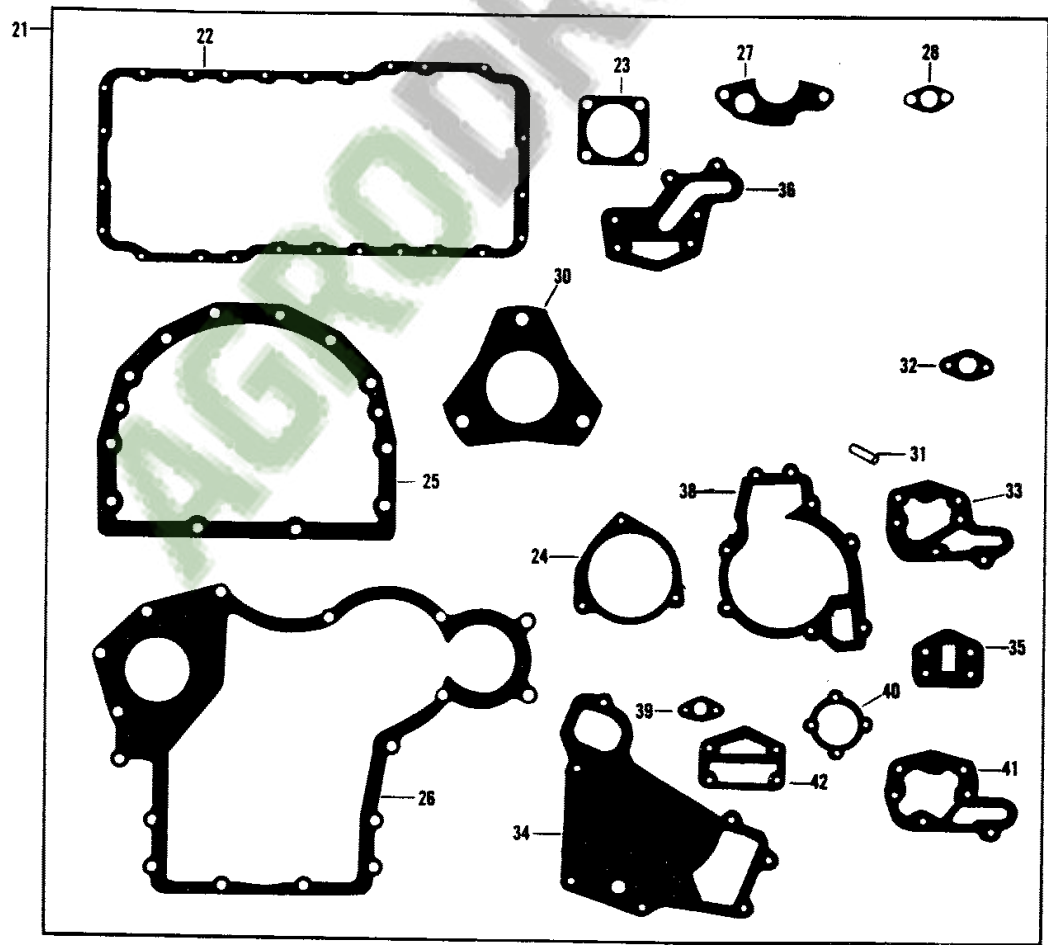
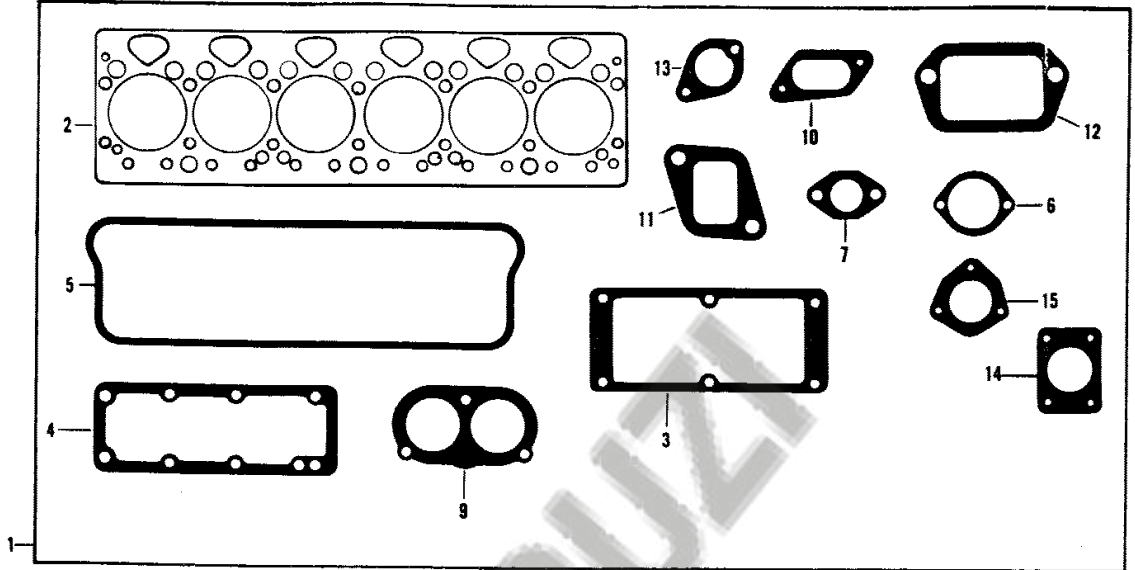
79-16

651 331 M95 (Issue 2) 2/79

GASKET SETS

1696 341

521R



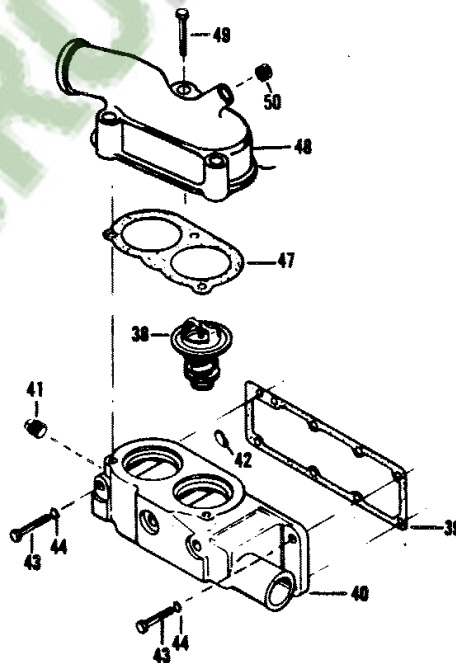
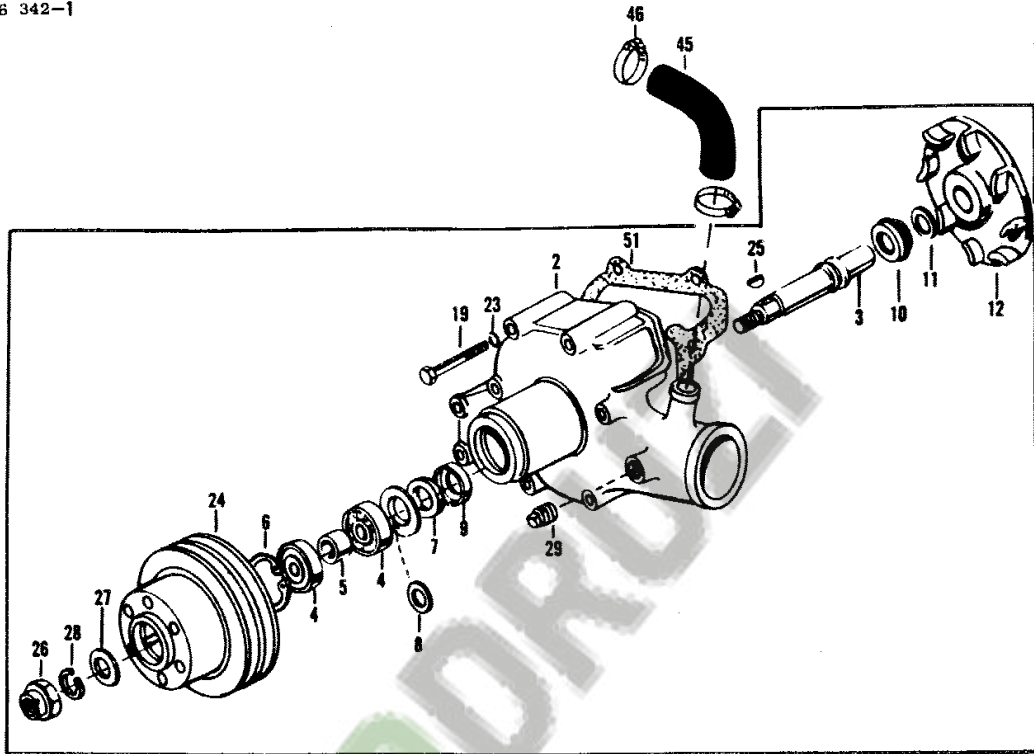
79-16

651 331 M95 (Issue 2) 2/79

521S

WATER PUMP

1696 342-1



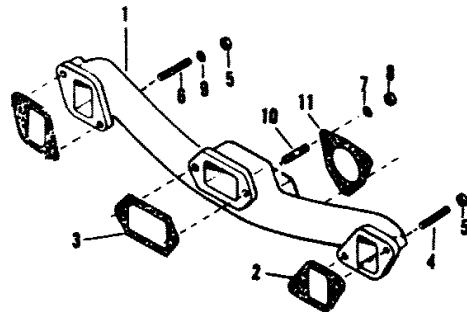
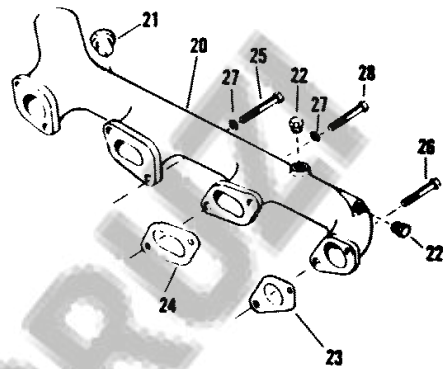
79-16

651 331 M95 (Issue 2) 2/79

MANIFOLDS

521V

1696 457

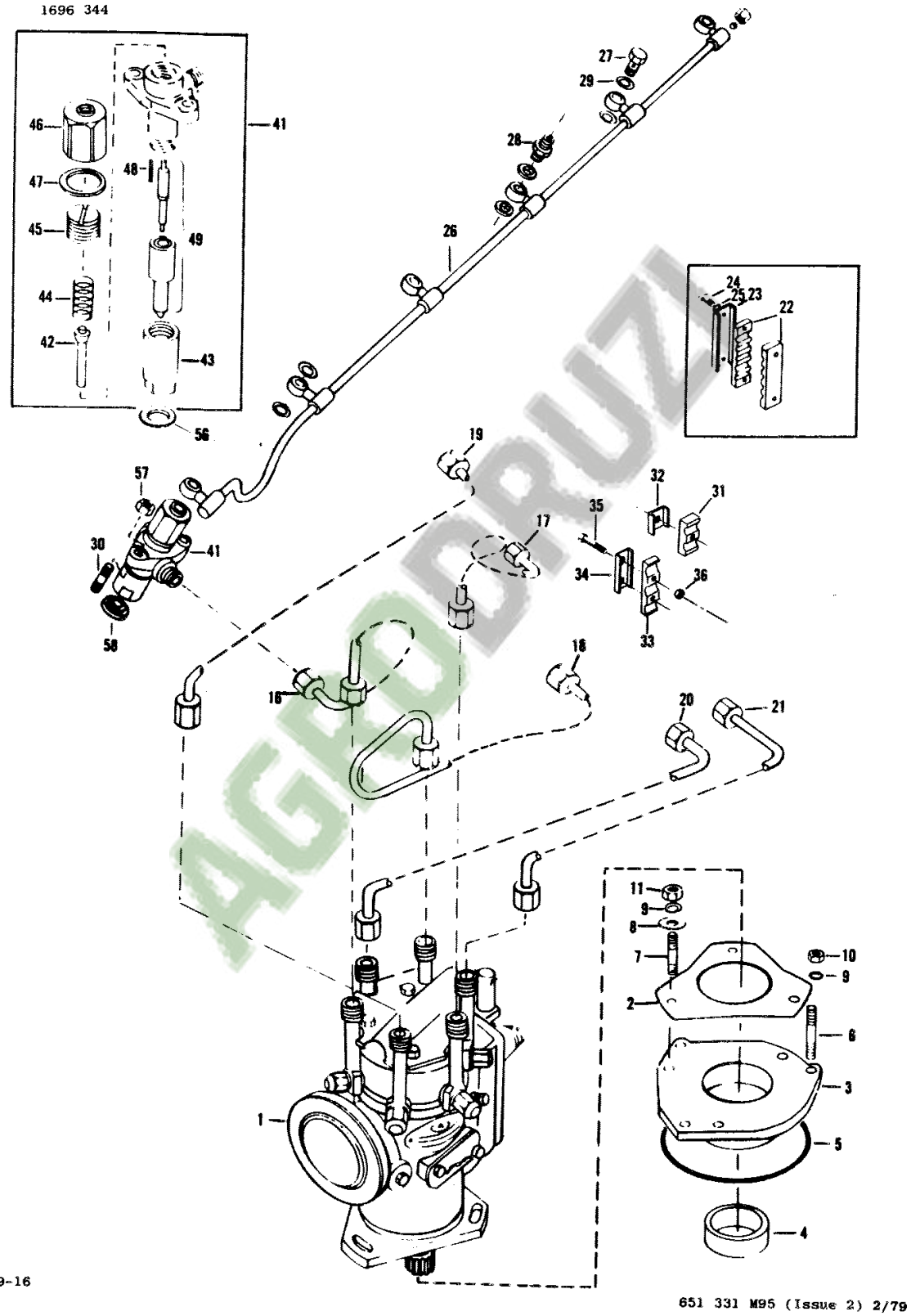


80-1

651 331 M95 (Issue 3) 11/79

521W

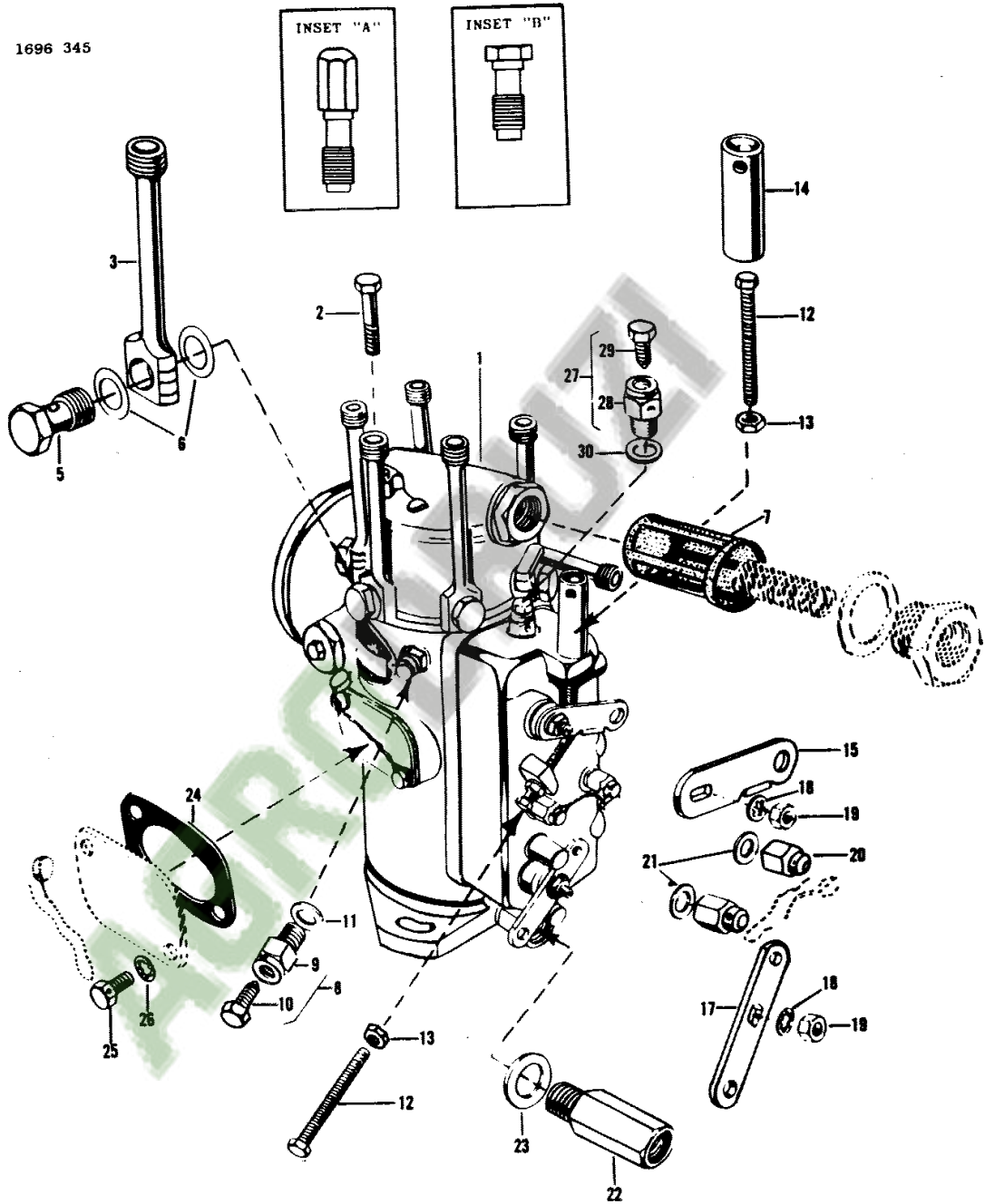
INJECTION SYSTEM



FUEL INJECTION PUMP

521Z

1696 345



78-65

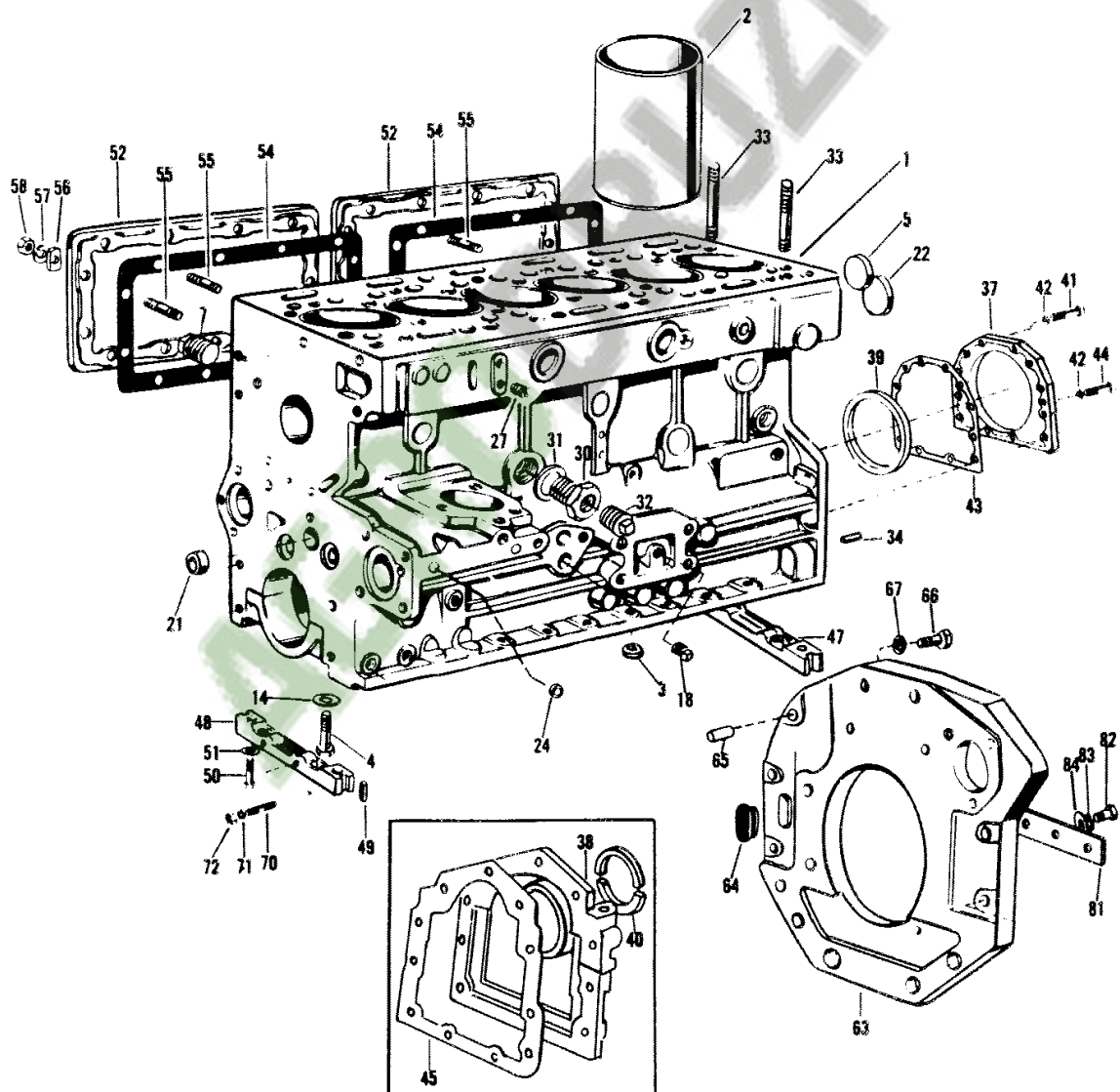
651 331 M95 (Issue 1) 8/78



522

CYLINDER BLOCK

1696 146 -2



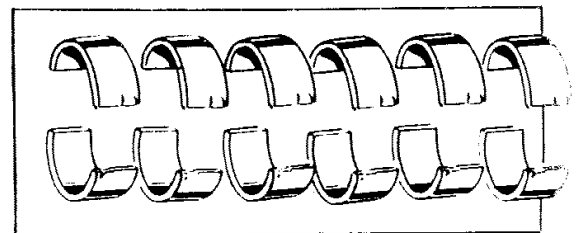
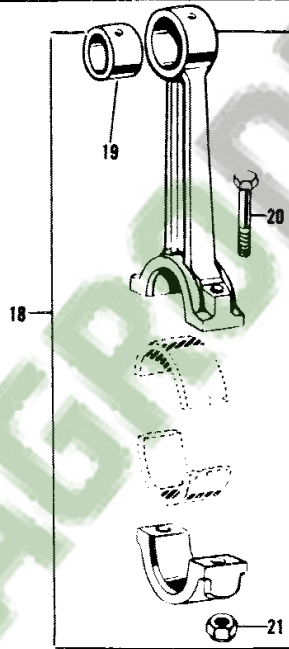
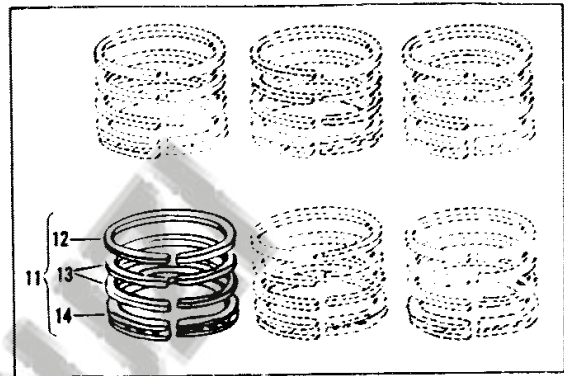
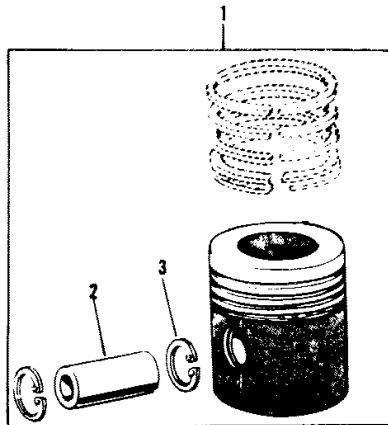
1st Print

651 331 M95 (Issue 1) 02/77

PISTONS, RINGS AND RODS

525

1696 147



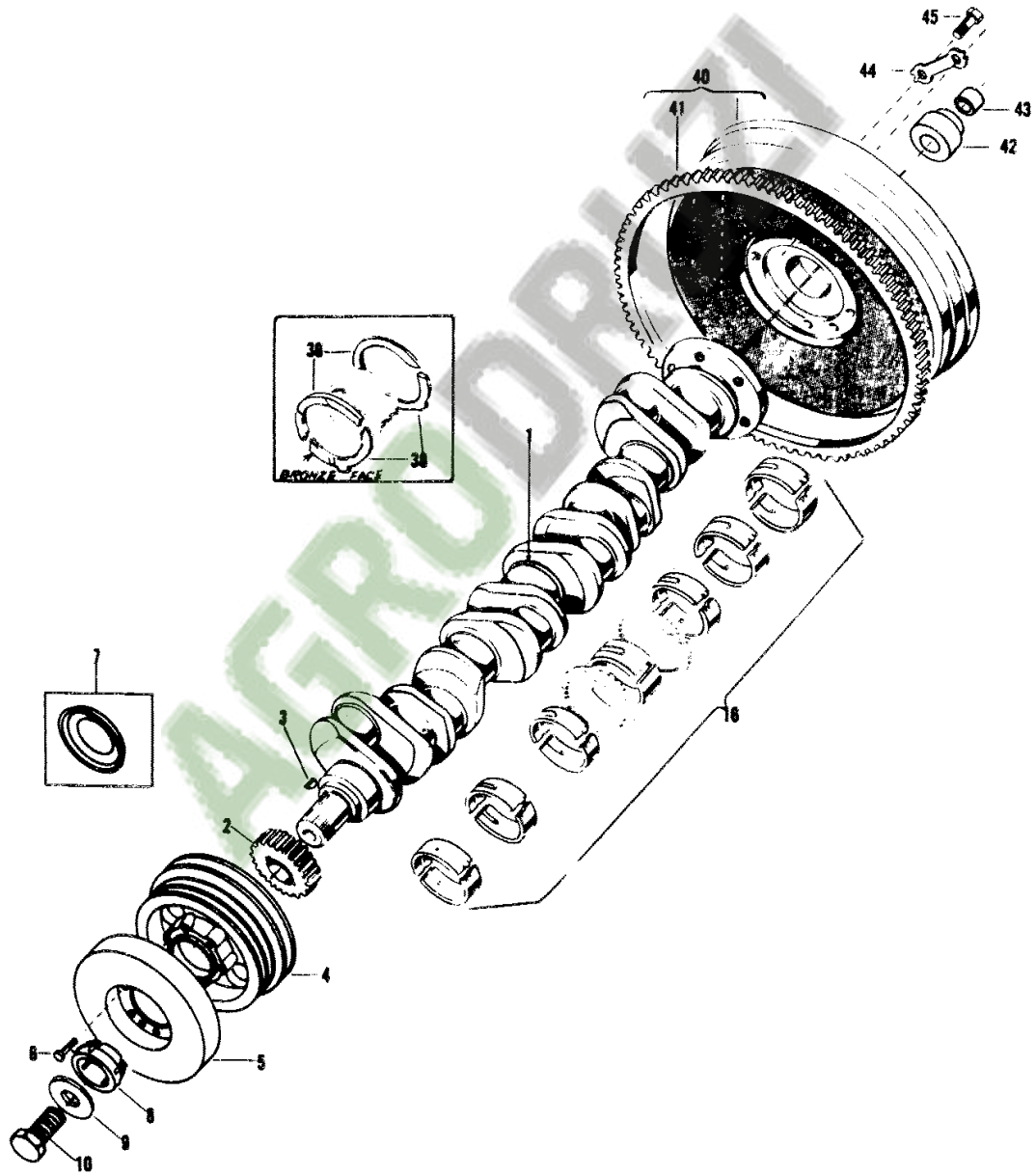
1st Print

651 331 M95 (Issue 1) 12/07

526

CRANKSHAFT AND FLYWHEEL

1696 148



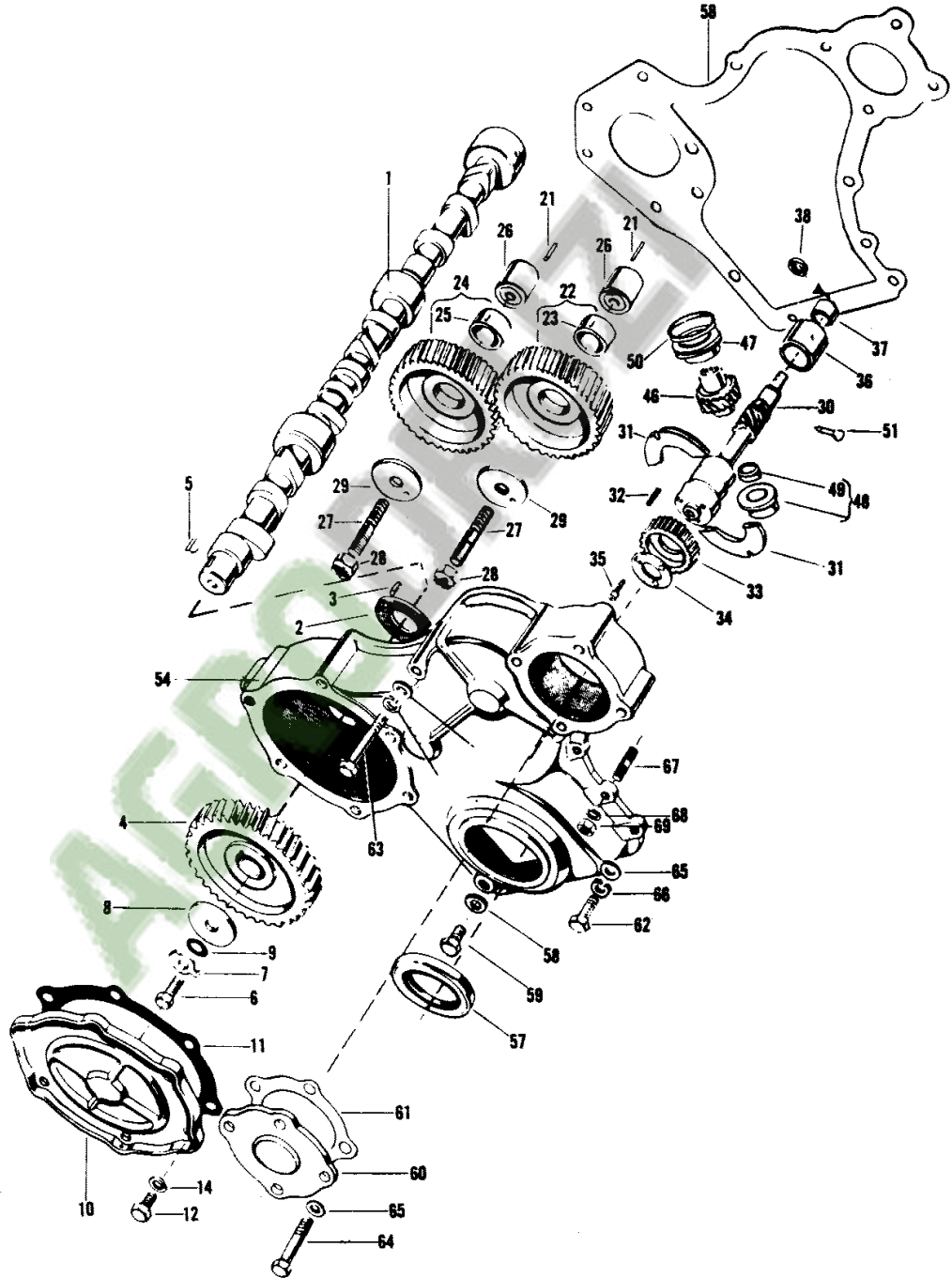
Jet Print

651 331 M95 (Issue 1) 12/77

TIMING GEAR

529

1696 149-1



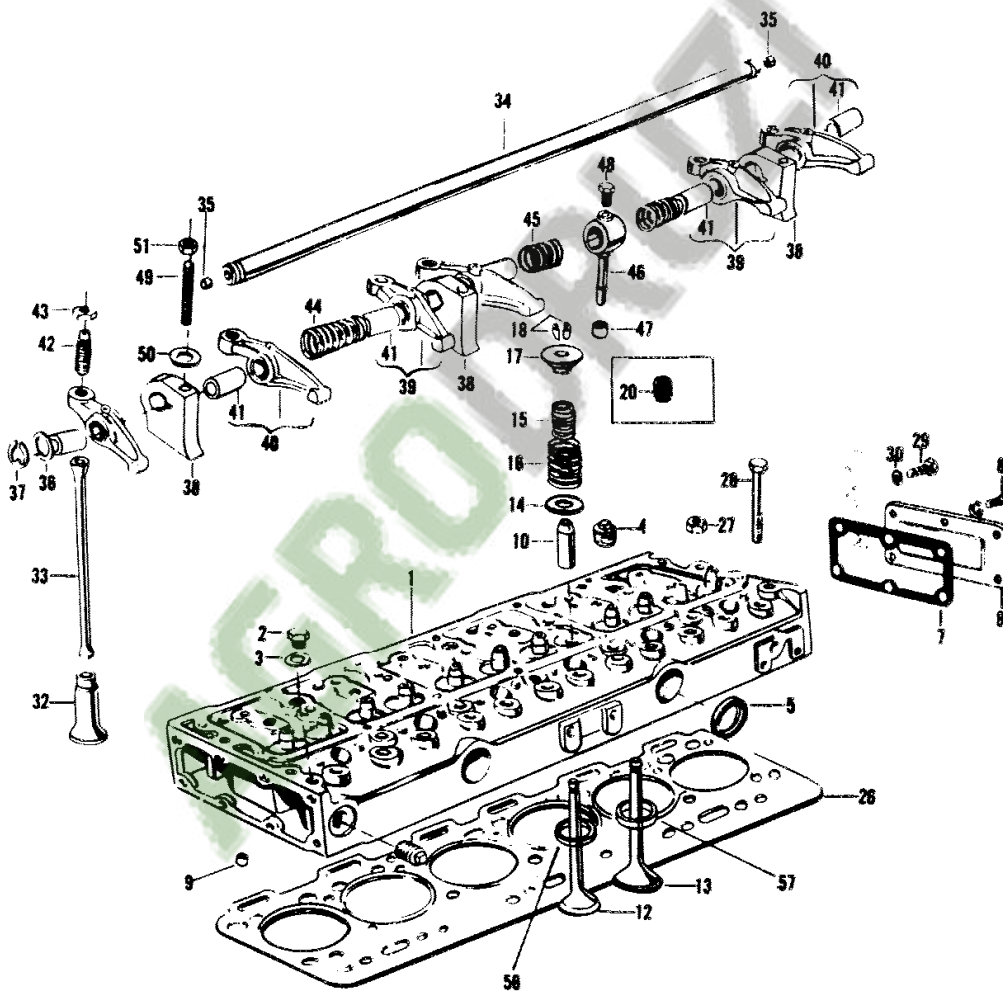
1st Print

651 331 M95 (Issue 1) 12/77

530

CYLINDER HEAD

1696 150-1



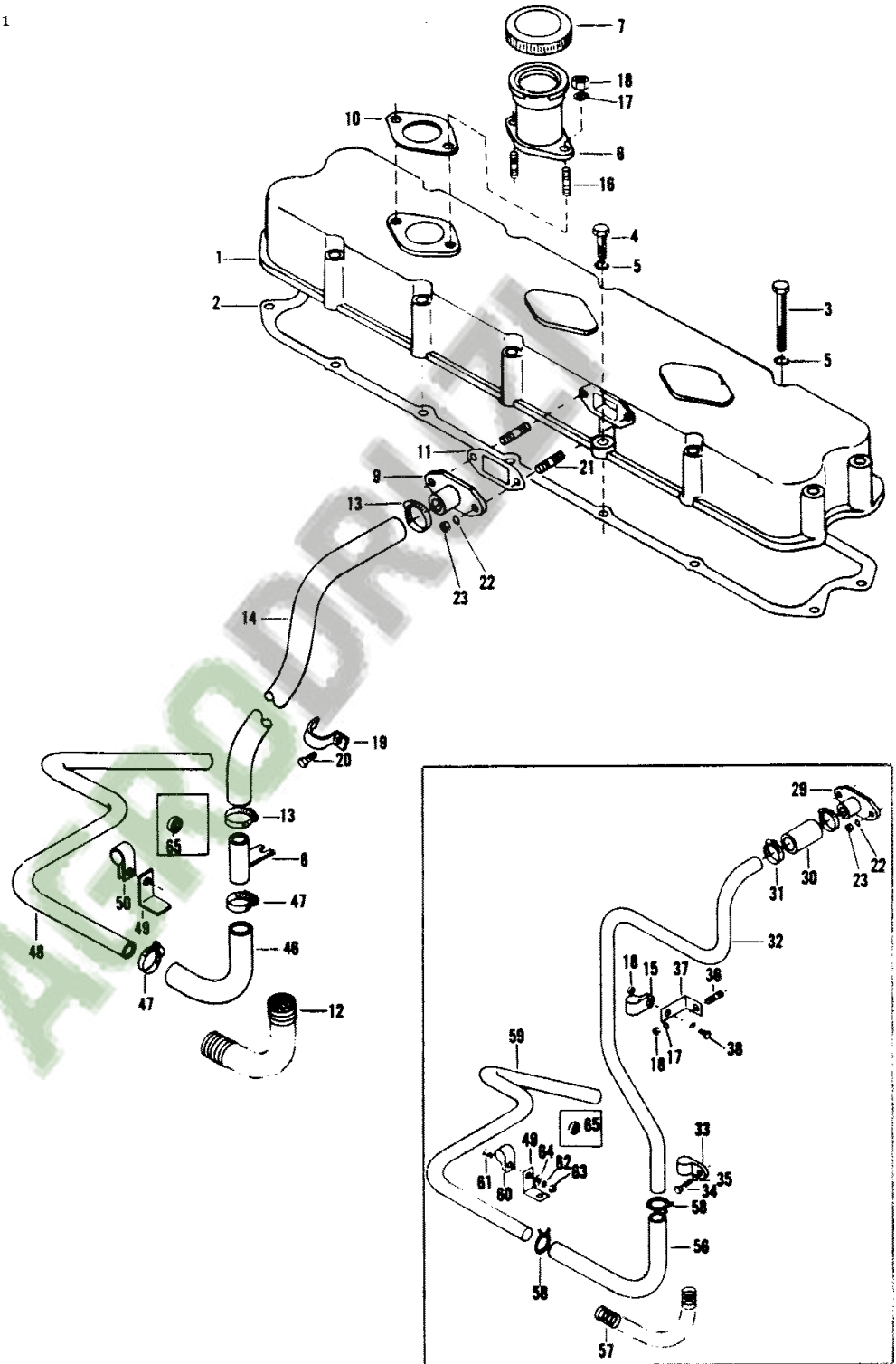
1st Print

651.331 M95 (Issue 1) 12/77

CYLINDER HEAD COVER

533

1696 151-1



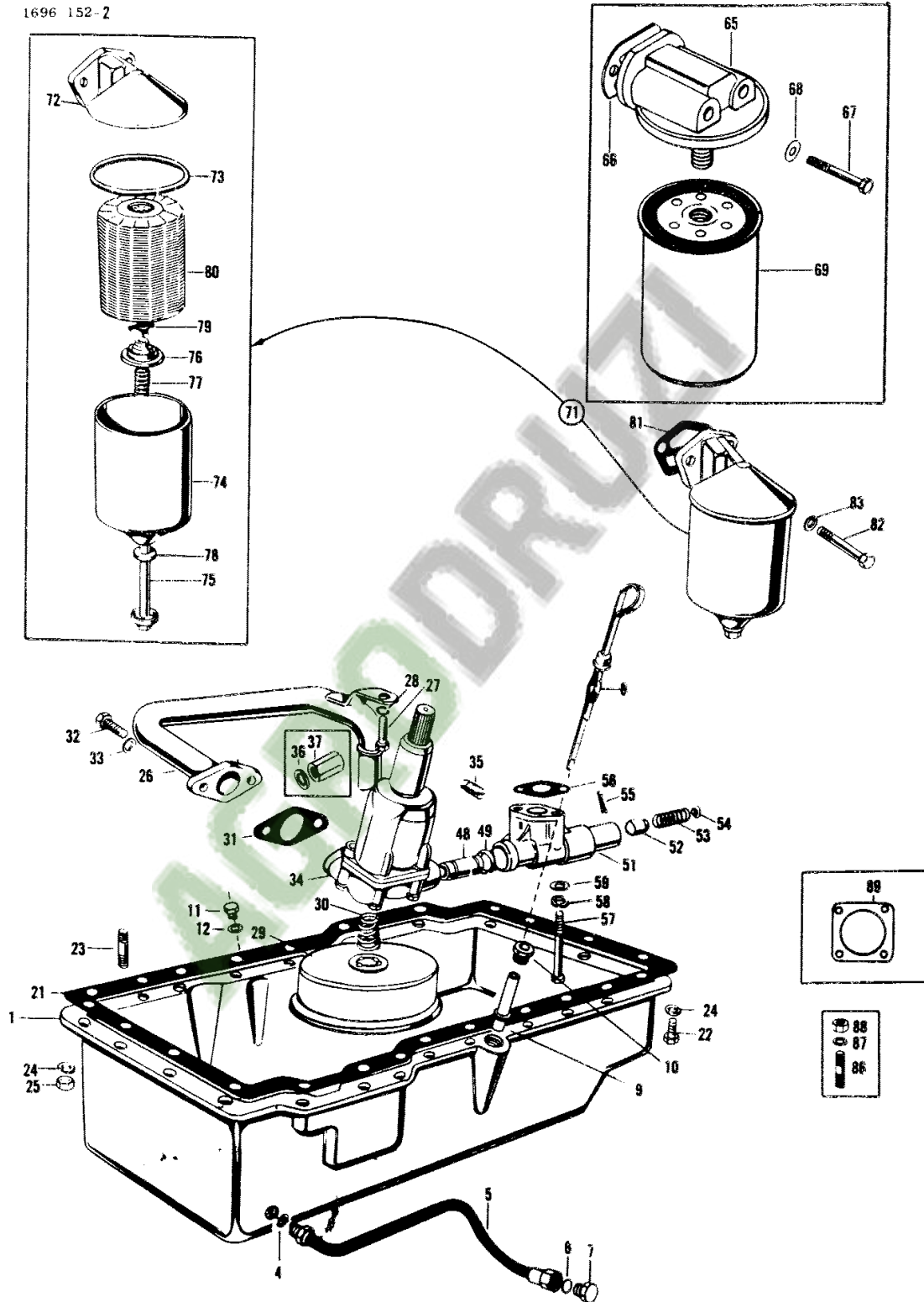
1st Print

651 331 M95 (Issue 1) 12/77

534

OIL PAN, PUMP AND FILTER

1696 152-2



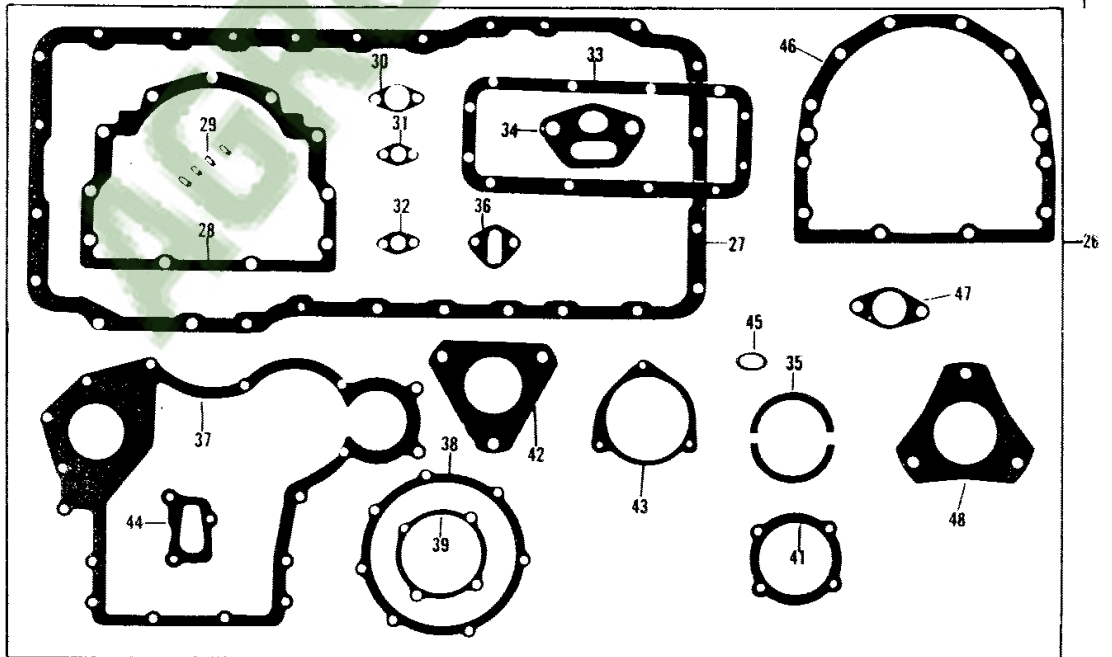
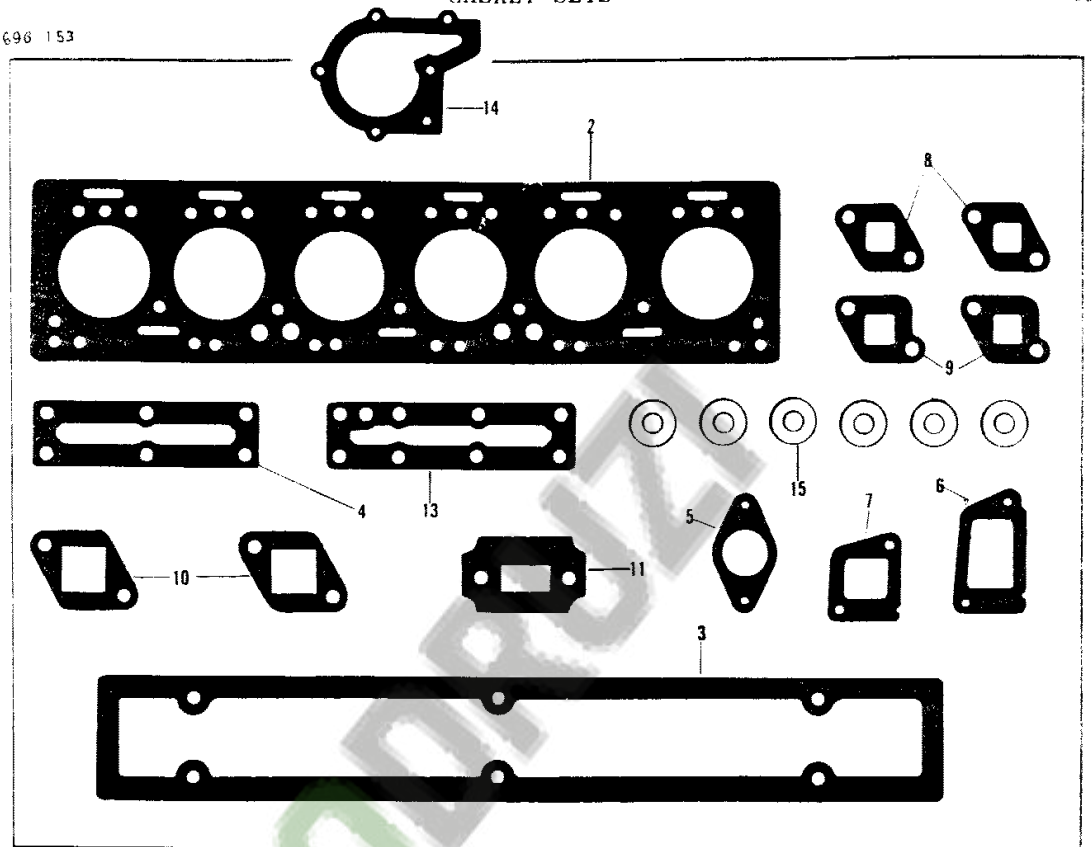
1st Print

651 331 M95 (Issue 1) 12/77

GASKET SETS

03

1696 153



ISO Print

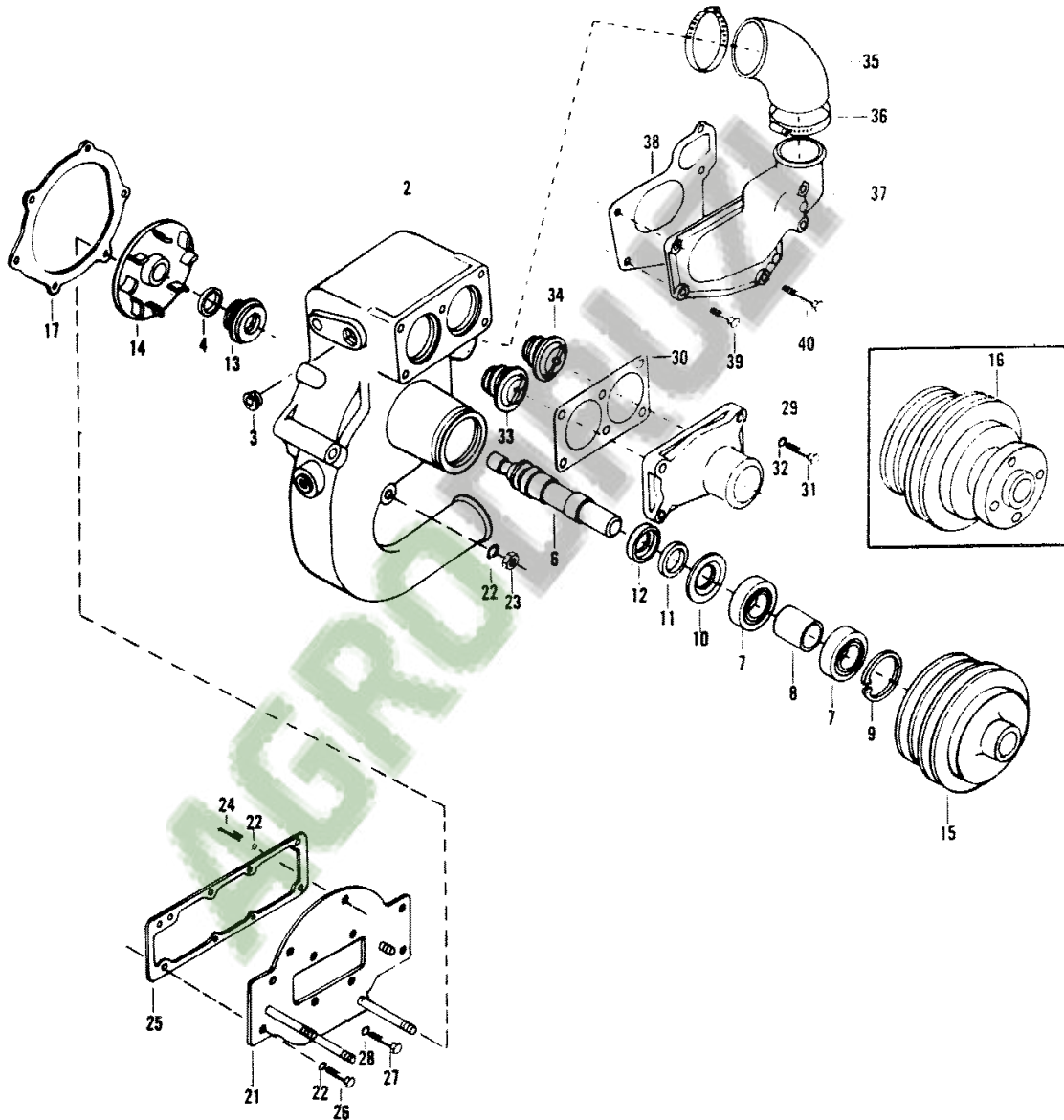
651 331 M95 (Issue 1) 12/77



538

WATER PUMP

1696 154-1



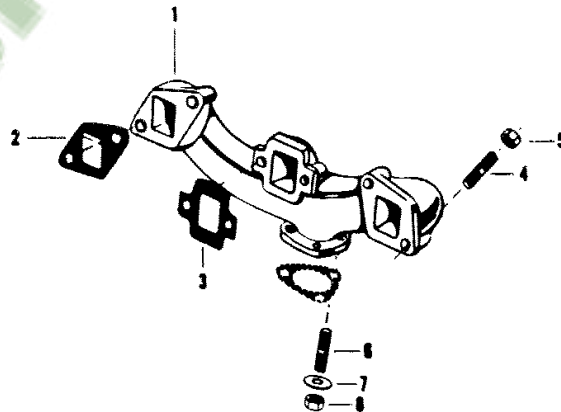
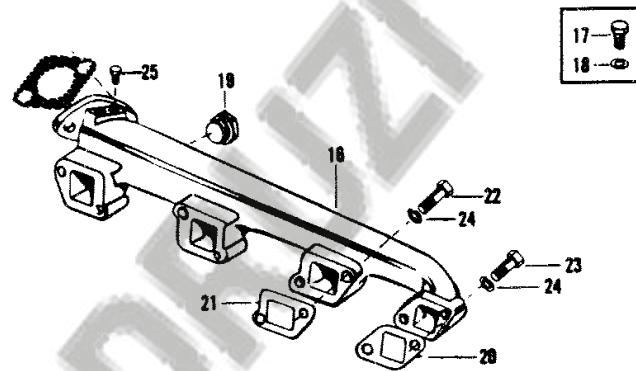
1st Print

651 331 M05 (Issue 1) 12/77

MANIFOLDS

541

1696 155-1

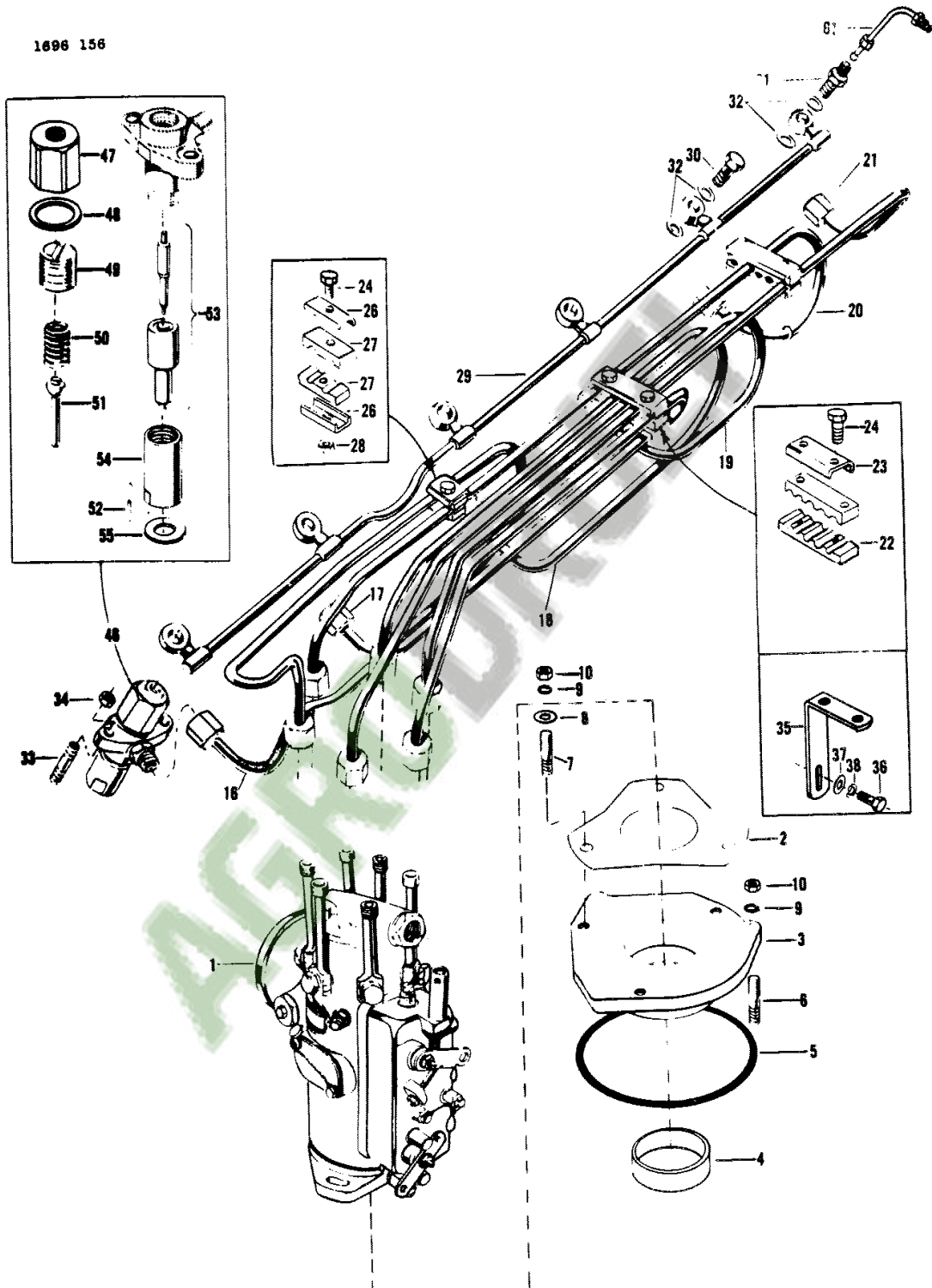


1st Print

651 331 M95 (Issue 1) 12/77

542

INJECTION SYSTEM



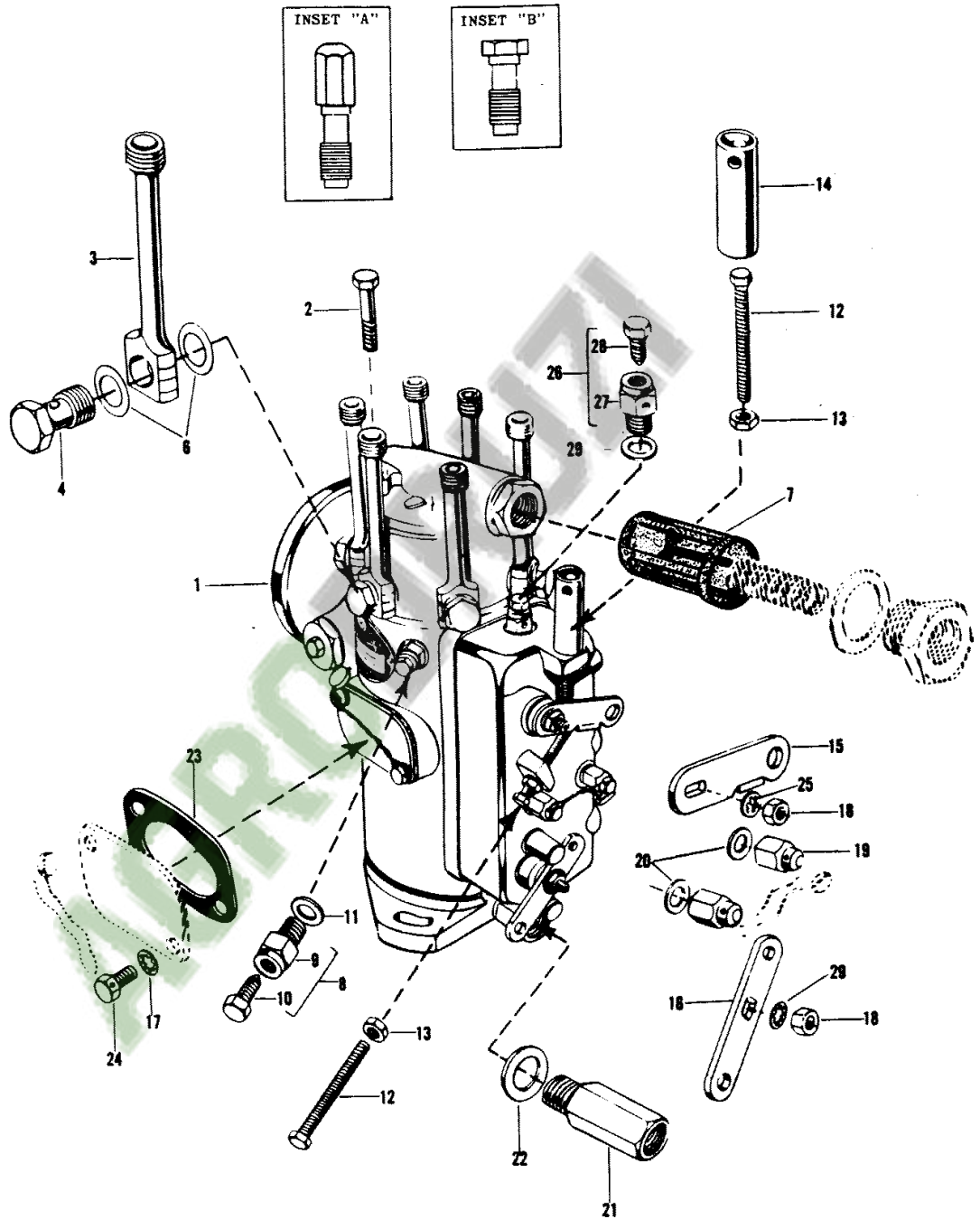
1st Print

651 331 M95 (Issue 1) 12/77

FUEL INJECTION PUMP

545

1696 157



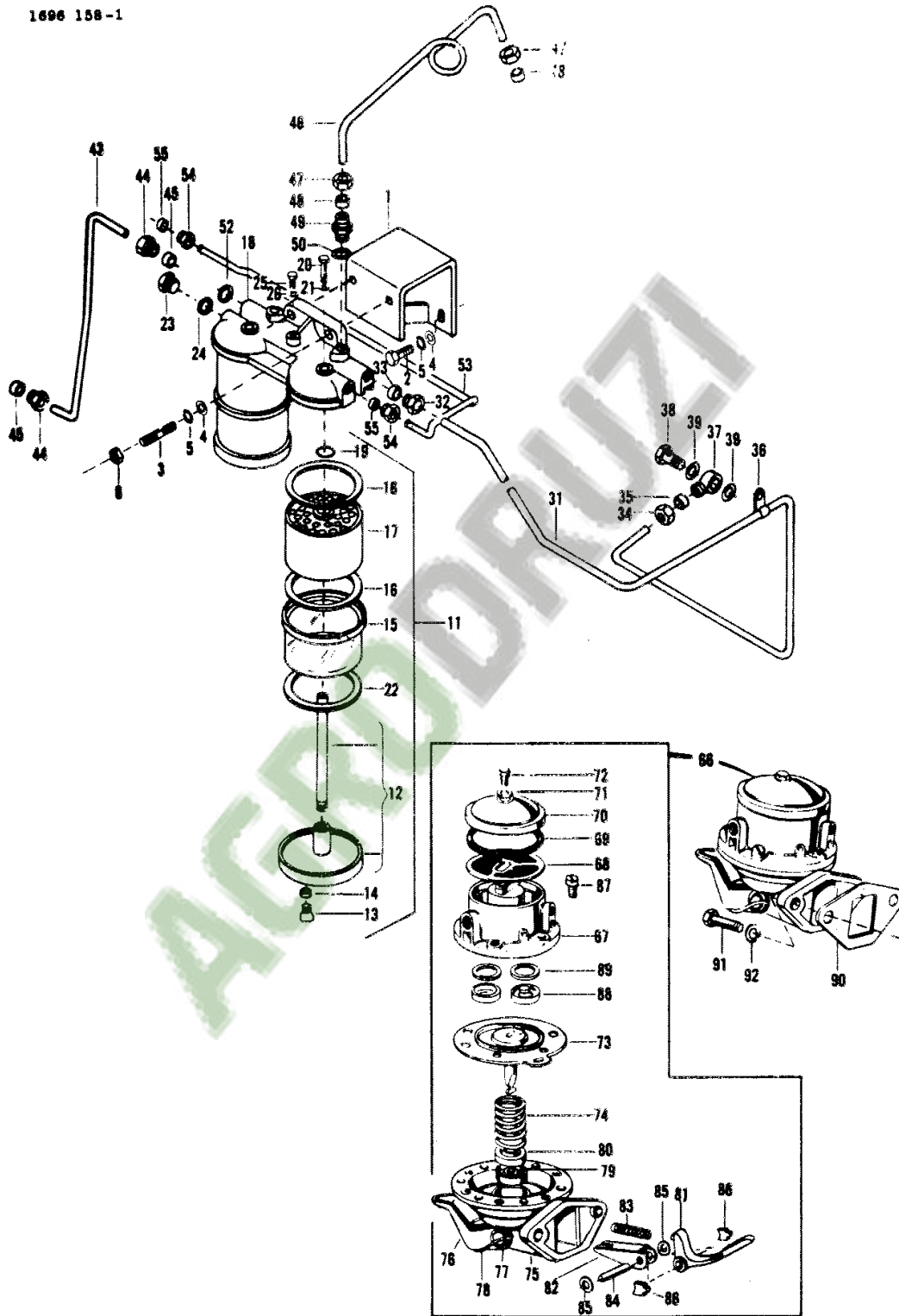
1st Print

651 331 M95 (Issue 1) 12/77

546

FUEL FILTER AND FUEL PUMP

1696 158-1



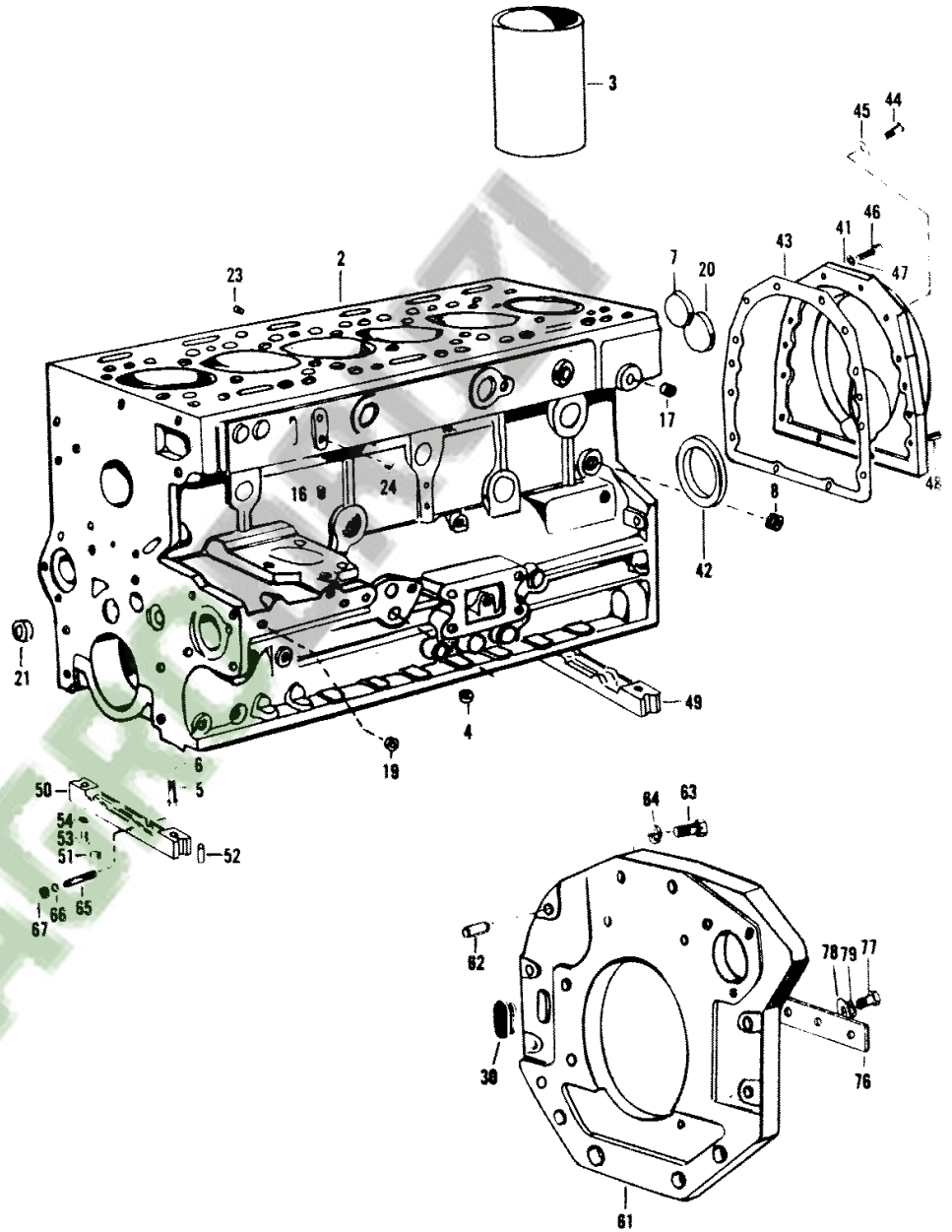
1st Print

651 331 M95 (Issue 1) 12/77

CYLINDER BLOCK

547B

1696 347



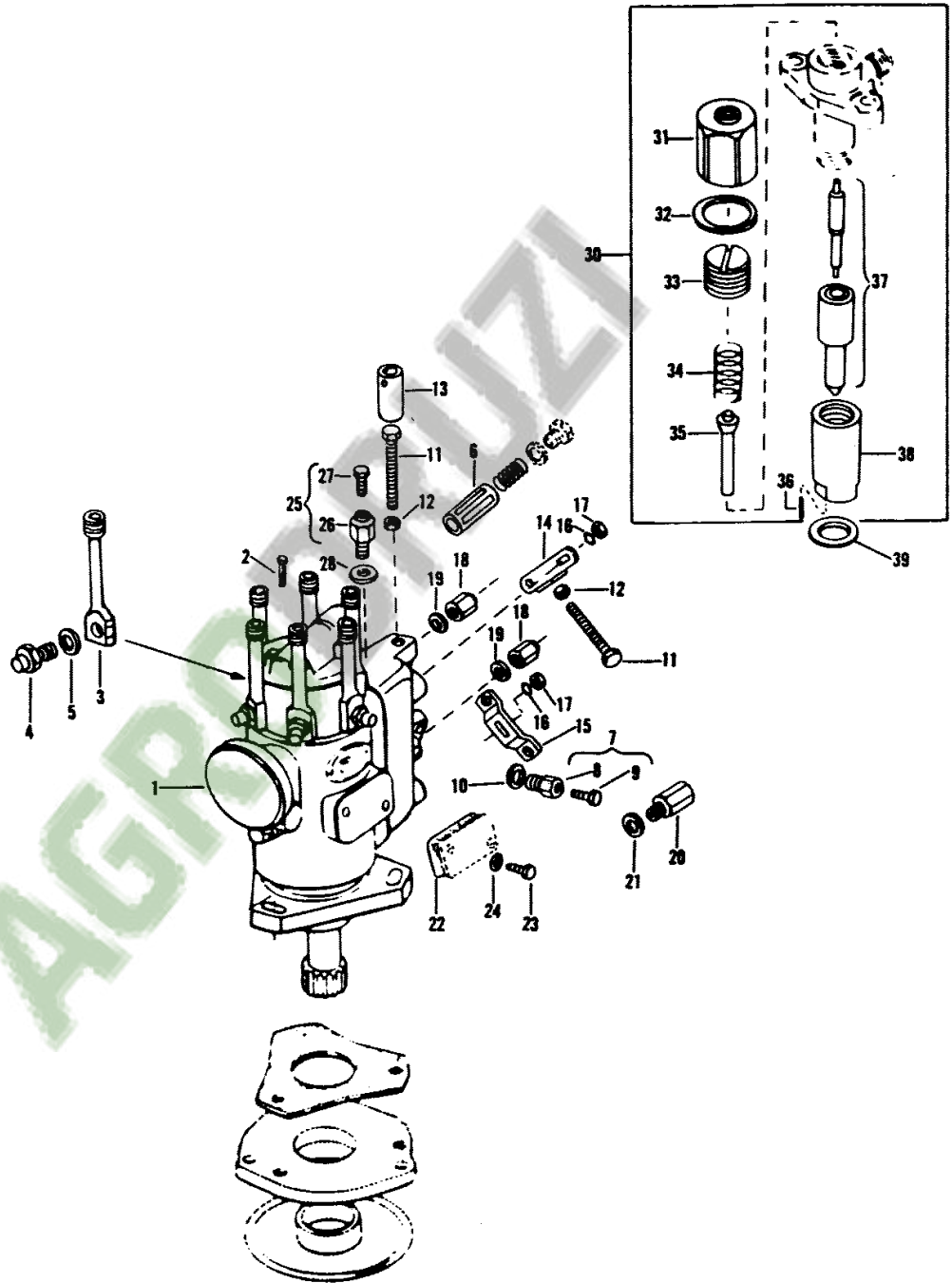
78-65

651 331 M95 (Issue 1) 8/

INJECTION PUMP AND INJECTOR

547BB

1696 425



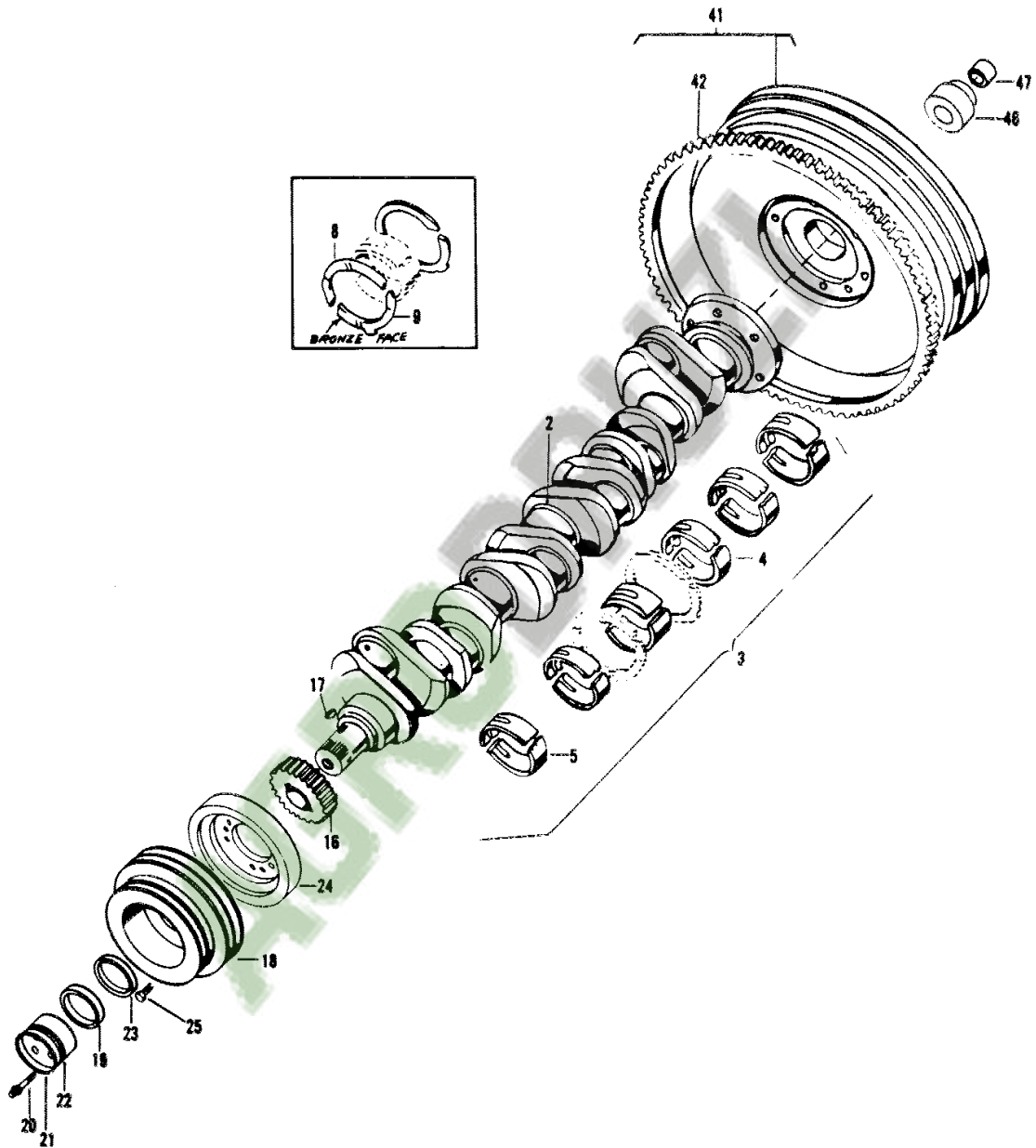
79-16

651 331 M95 (Issue 2) 2/79

547C

CRANKSHAFT, FLYWHEEL, INSERTS

1696 348



80-1

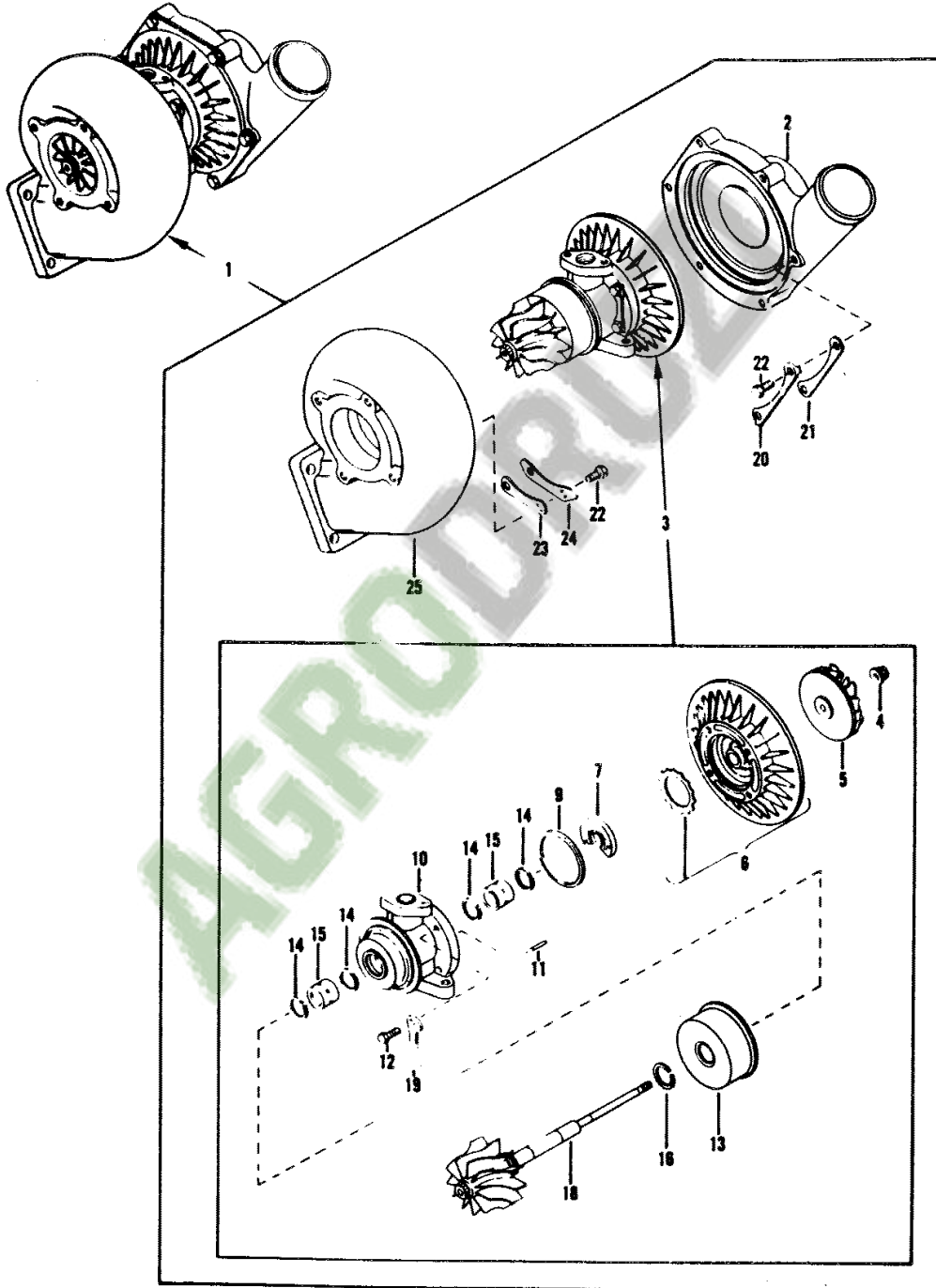
651 331 M95 (Issue 3) 11/78



547CC

TURBOCHARGER

1696 360

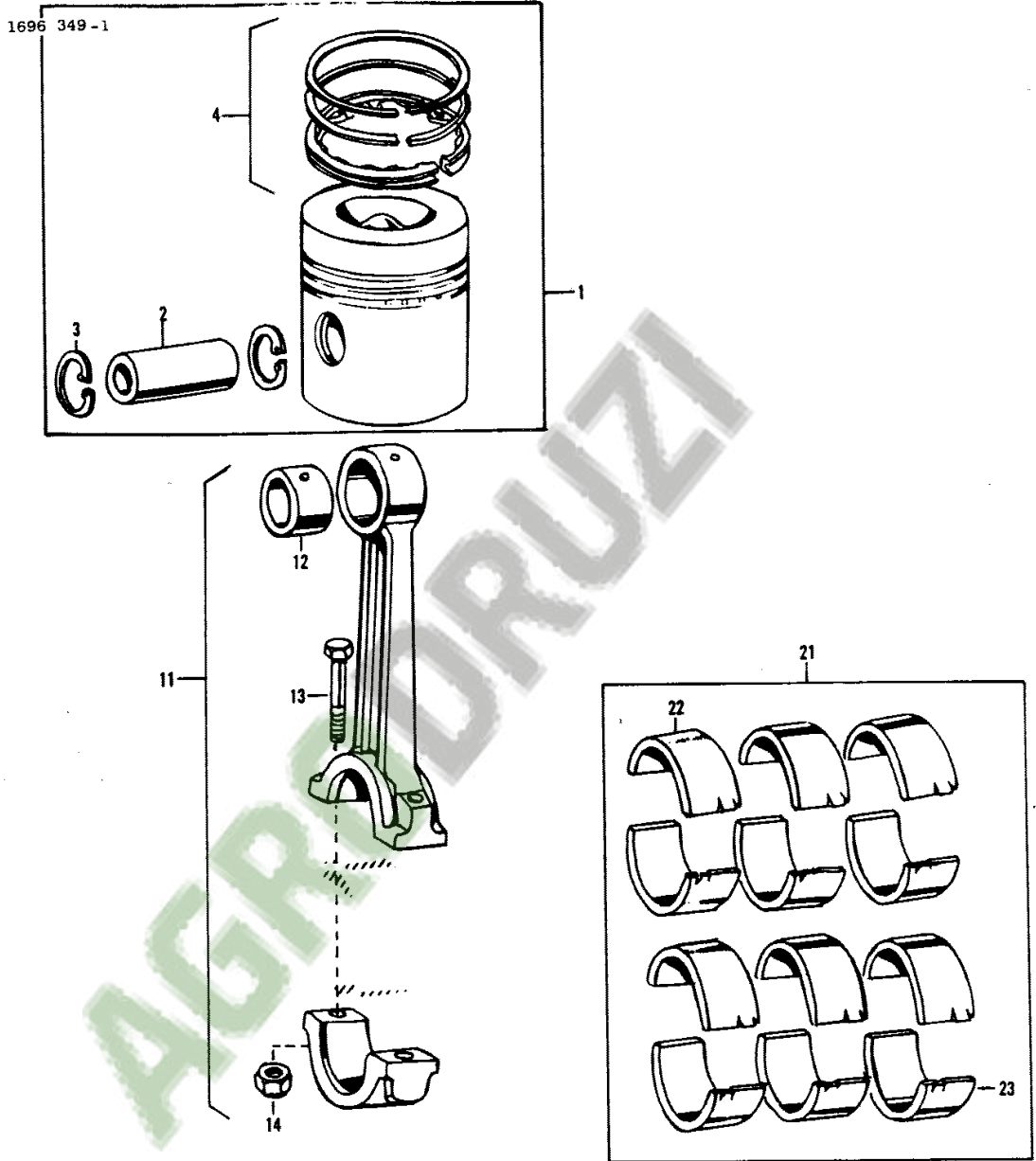


78-85

651 331 M95 (Issue 1) 8/78

PISTONS, RINGS AND RODS

547F



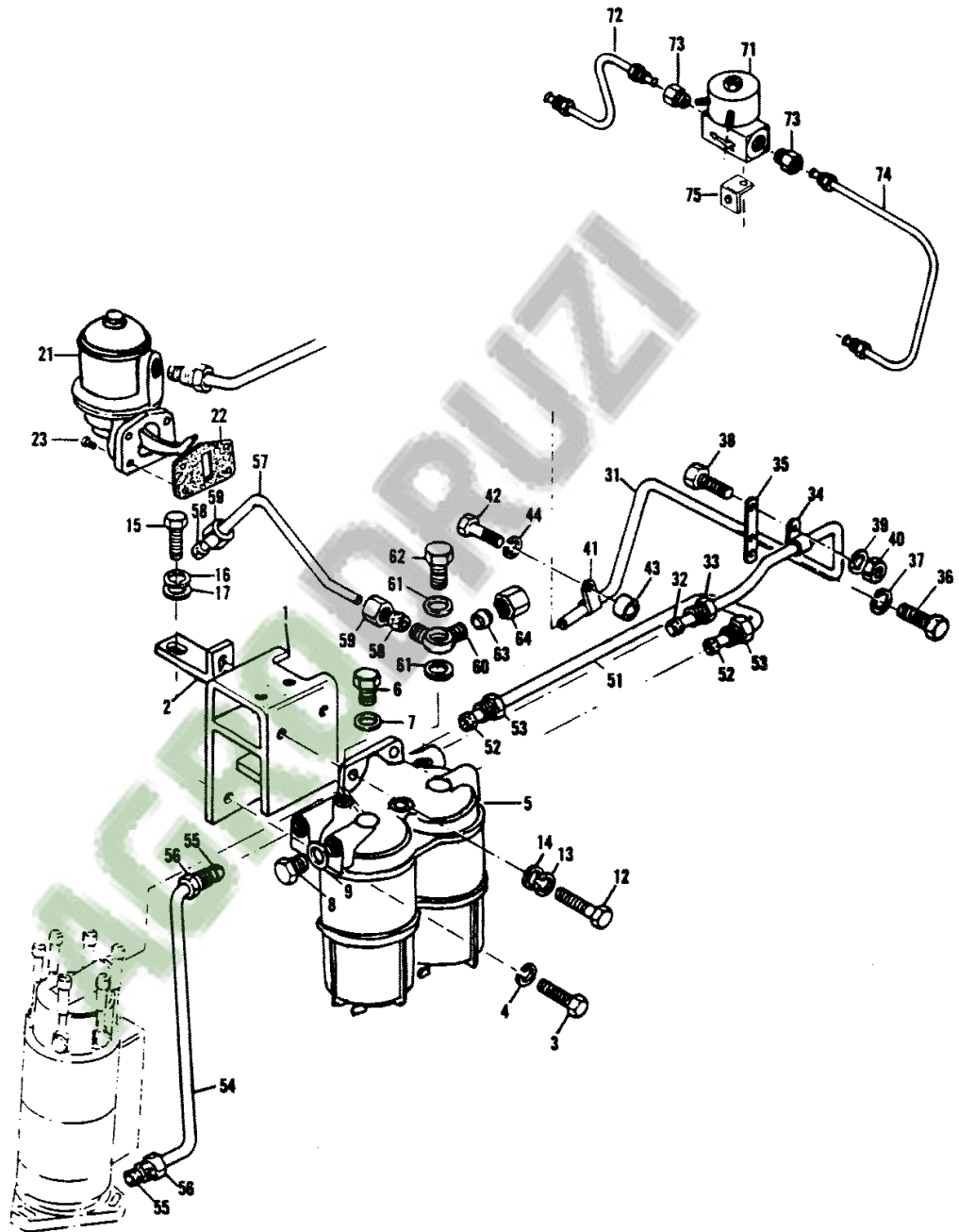
80-1

651 331 M95 (Issue 2) 11/75

FUEL FILTERS AND LINES

547FF

1696 361



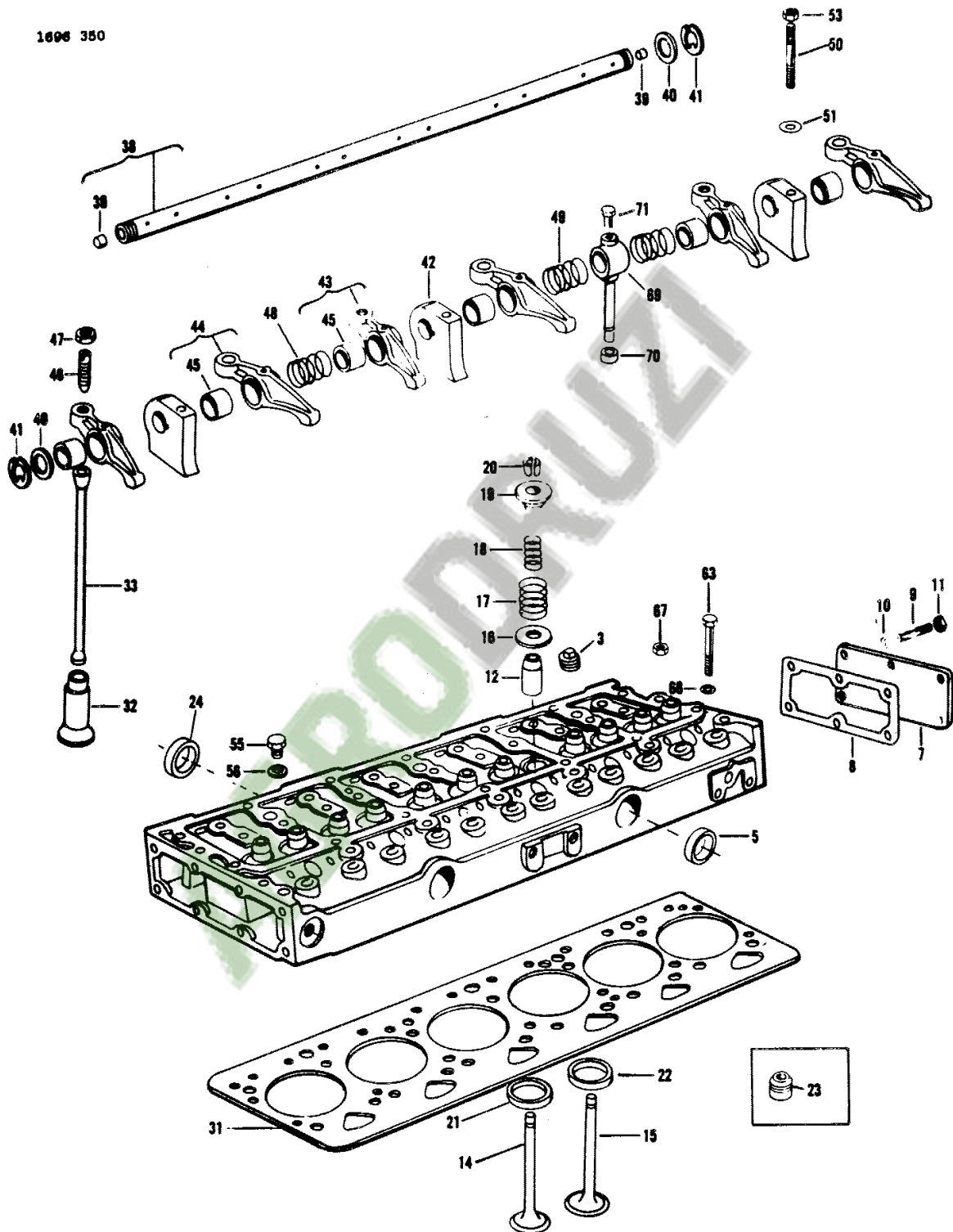
79-16

651 331 M95 (Issue 2) 2/78

547G

CYLINDER HEAD

1696 350



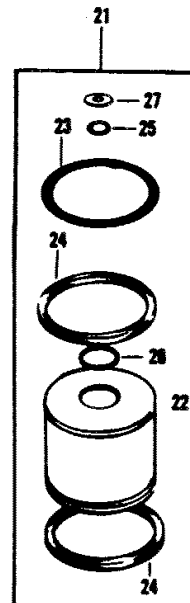
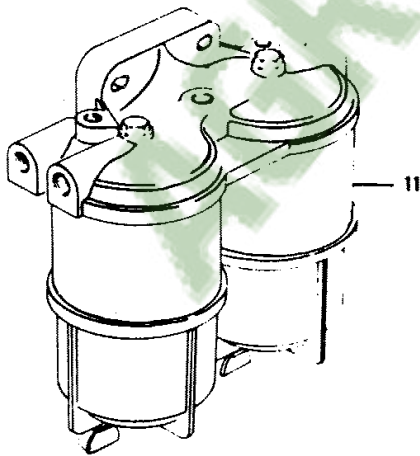
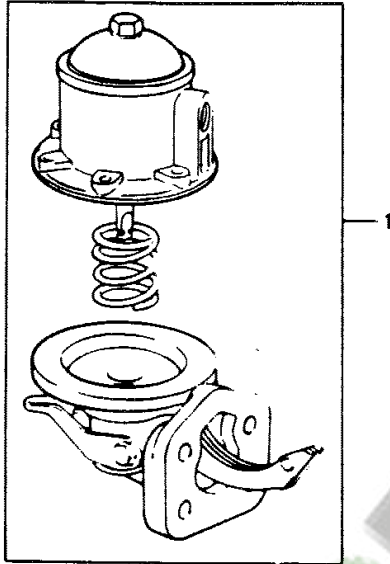
78-85

651 331 M85 (Issue 1) 8/78

547GG

LIFT PUMP AND FUEL FILTER

1696 362



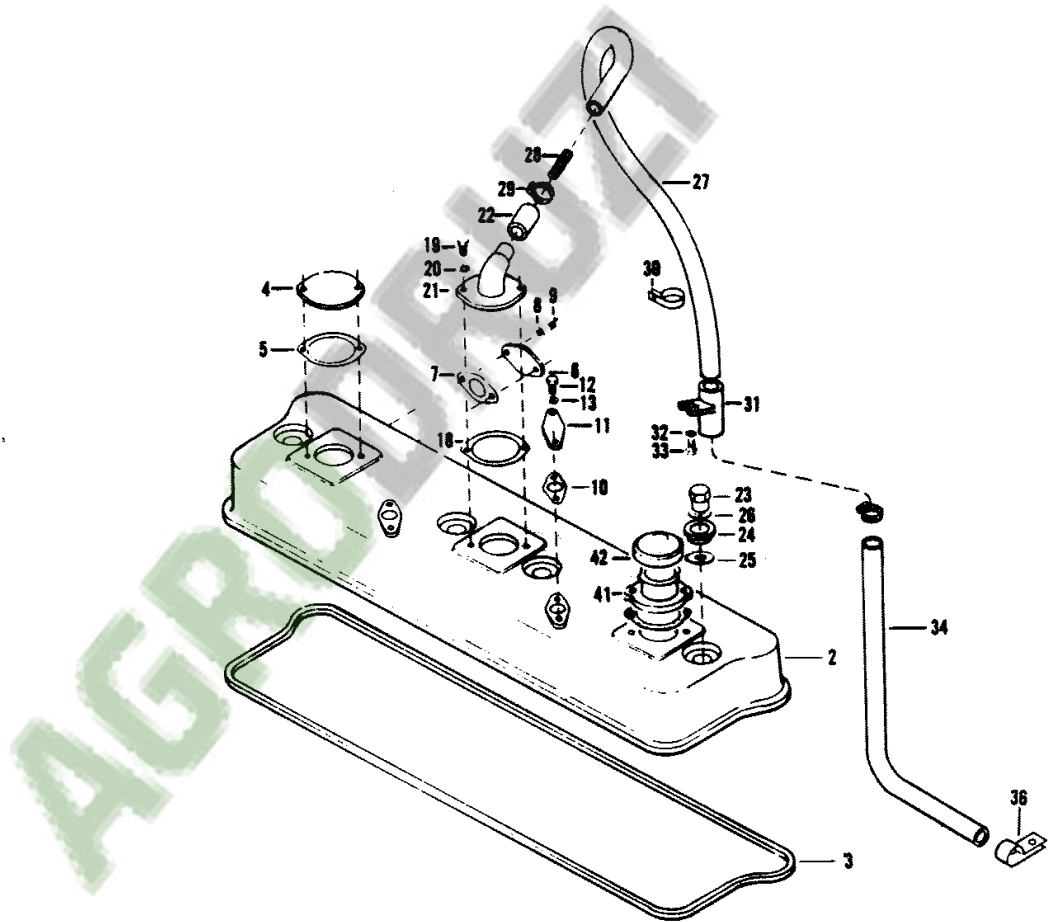
78-65

651 331 M95 (Issue 1) 8/78

CYLINDER HEAD COVER

547K

1696 351-1



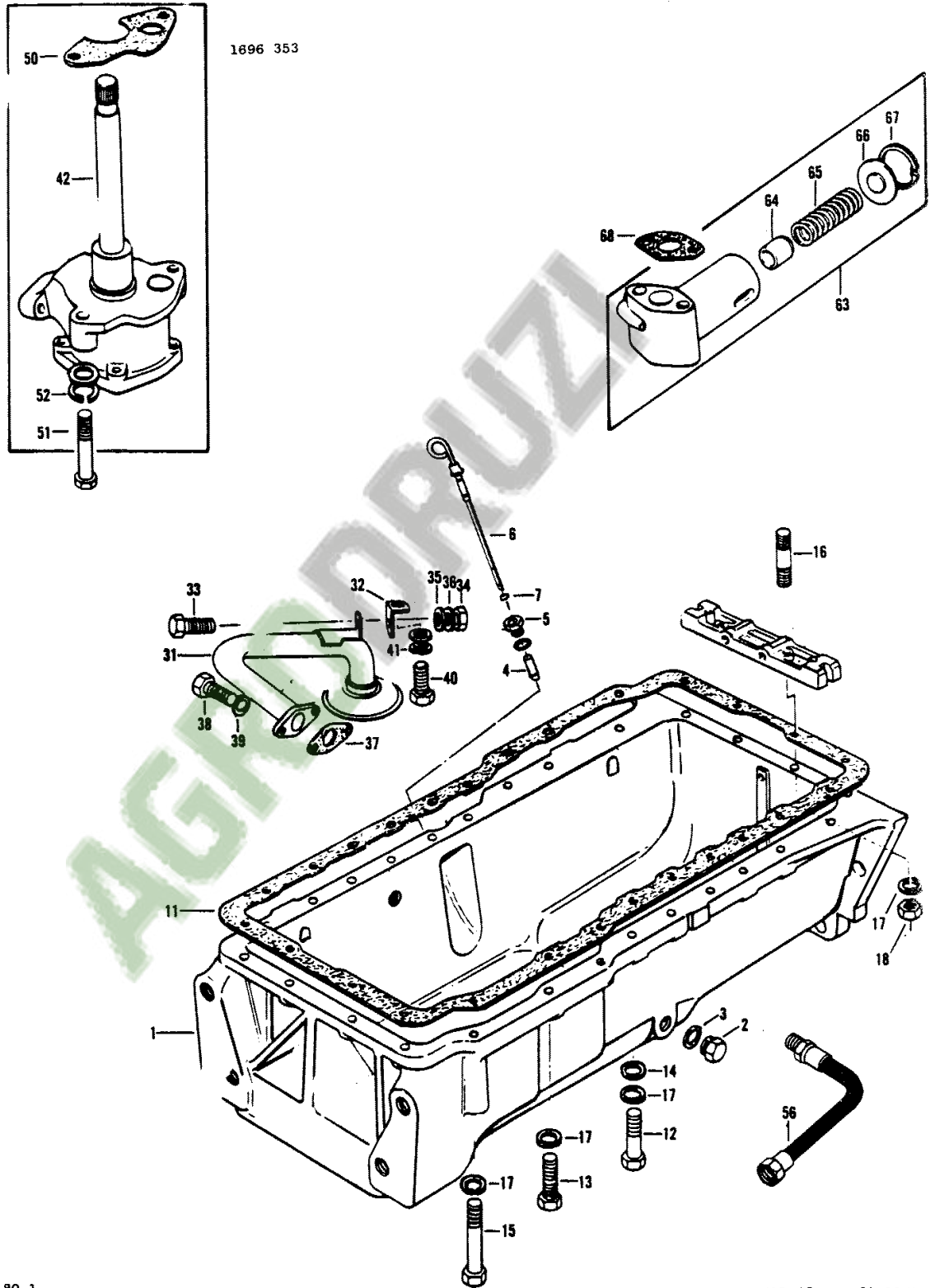
7P-16

651 331 M05 (Issue 2) 2/78



OIL PAN OIL PUMP

547P



1696 353

80-1

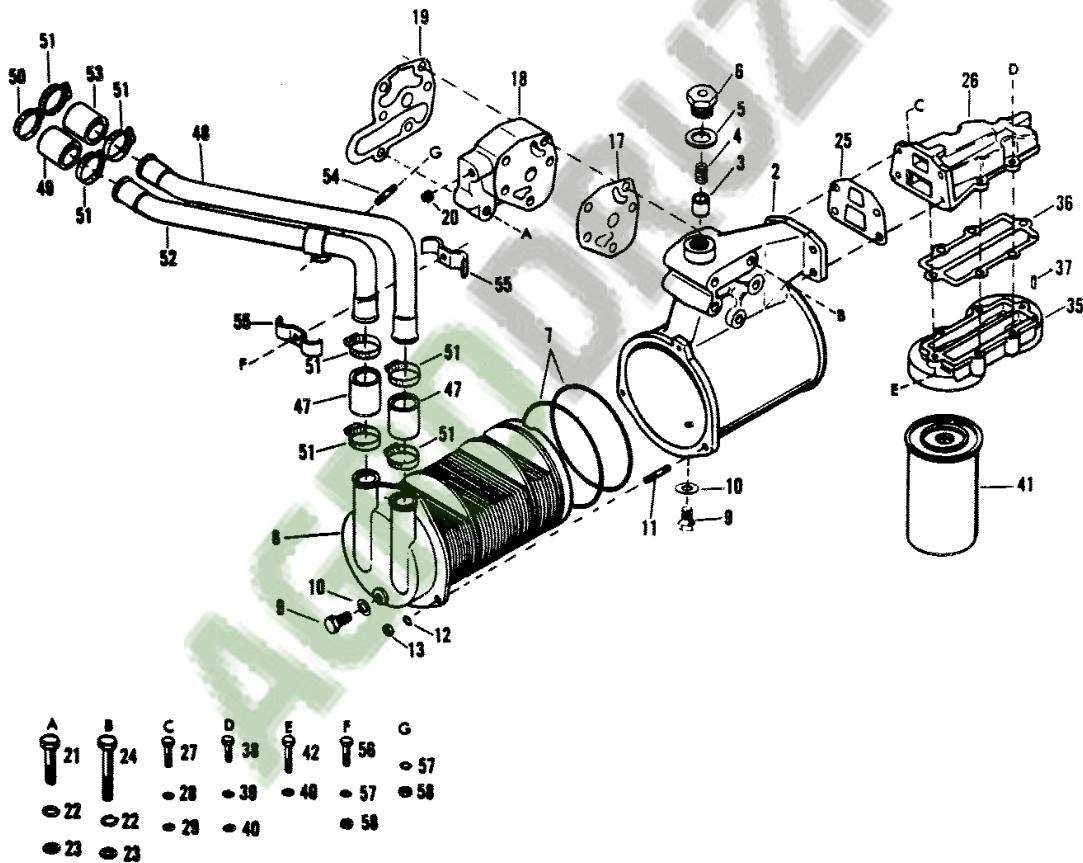
651 331 M95 (Issue 3) 11/78



547Q

OIL COOLER AND FILTER

1696 458



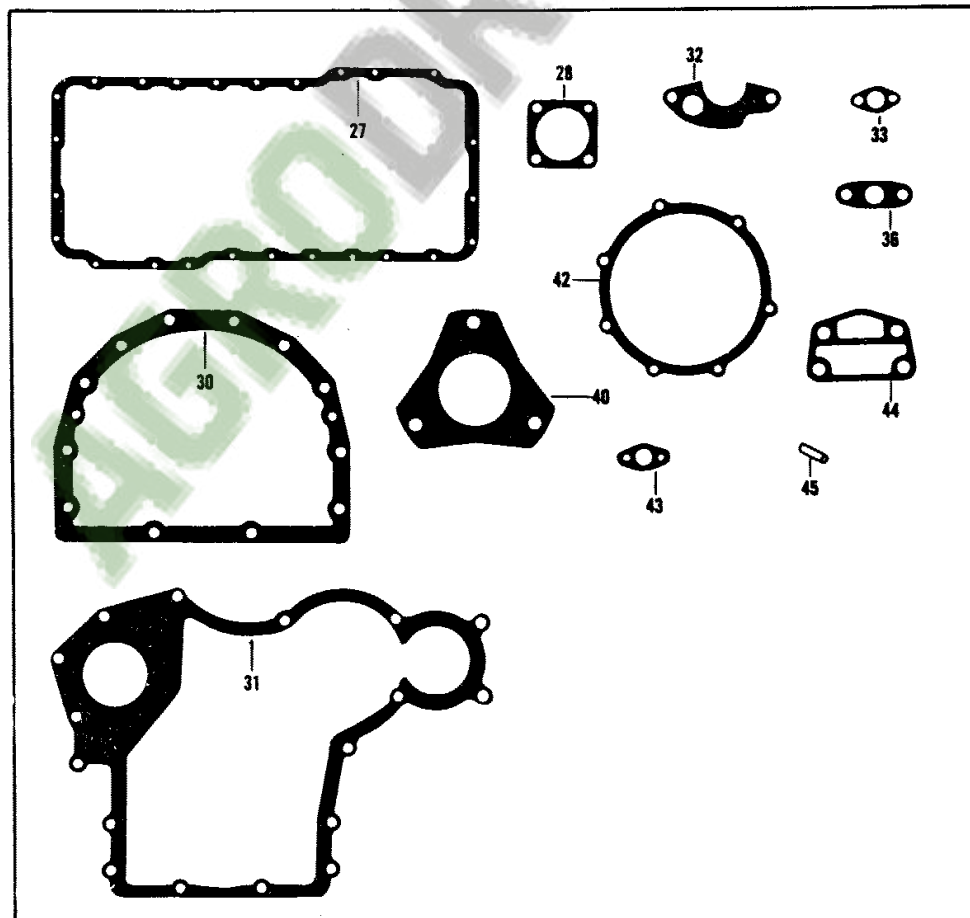
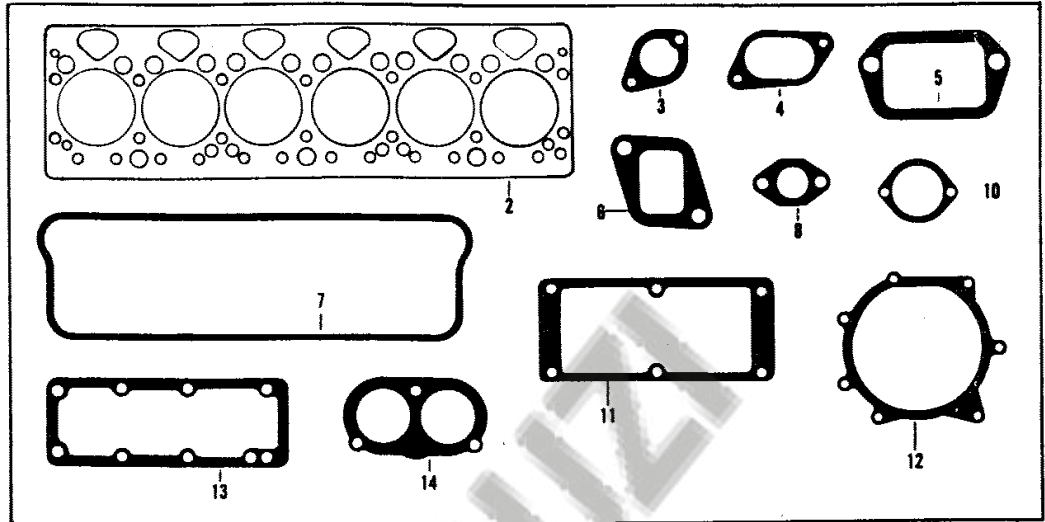
80-1

651 331 M95 (Issue 3) 11/79

GASKET SETS

547T

1696 355



79-16

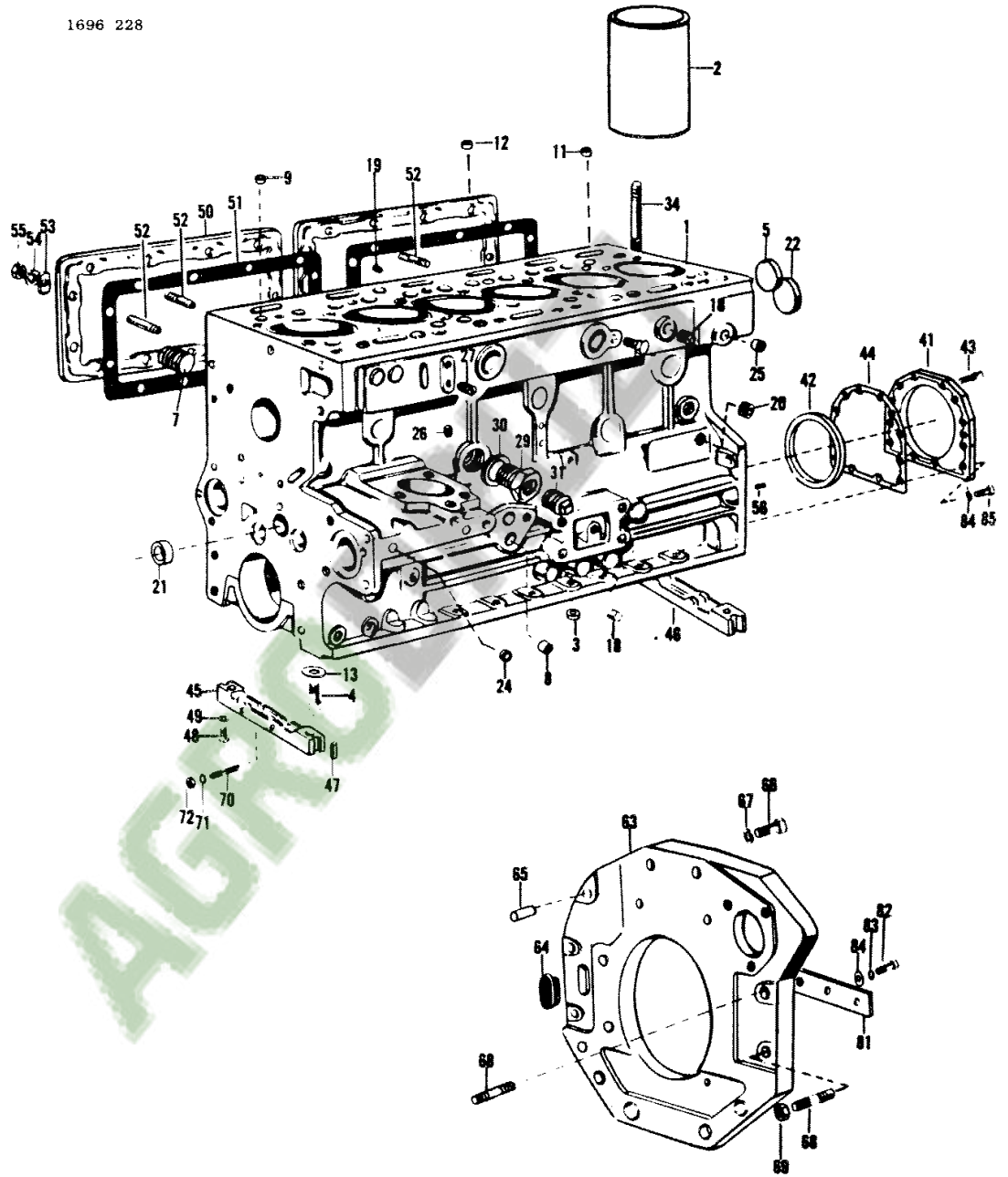
651 331 M95 (Issue 2) 2/79



CYLINDER BLOCK

549

1696 228



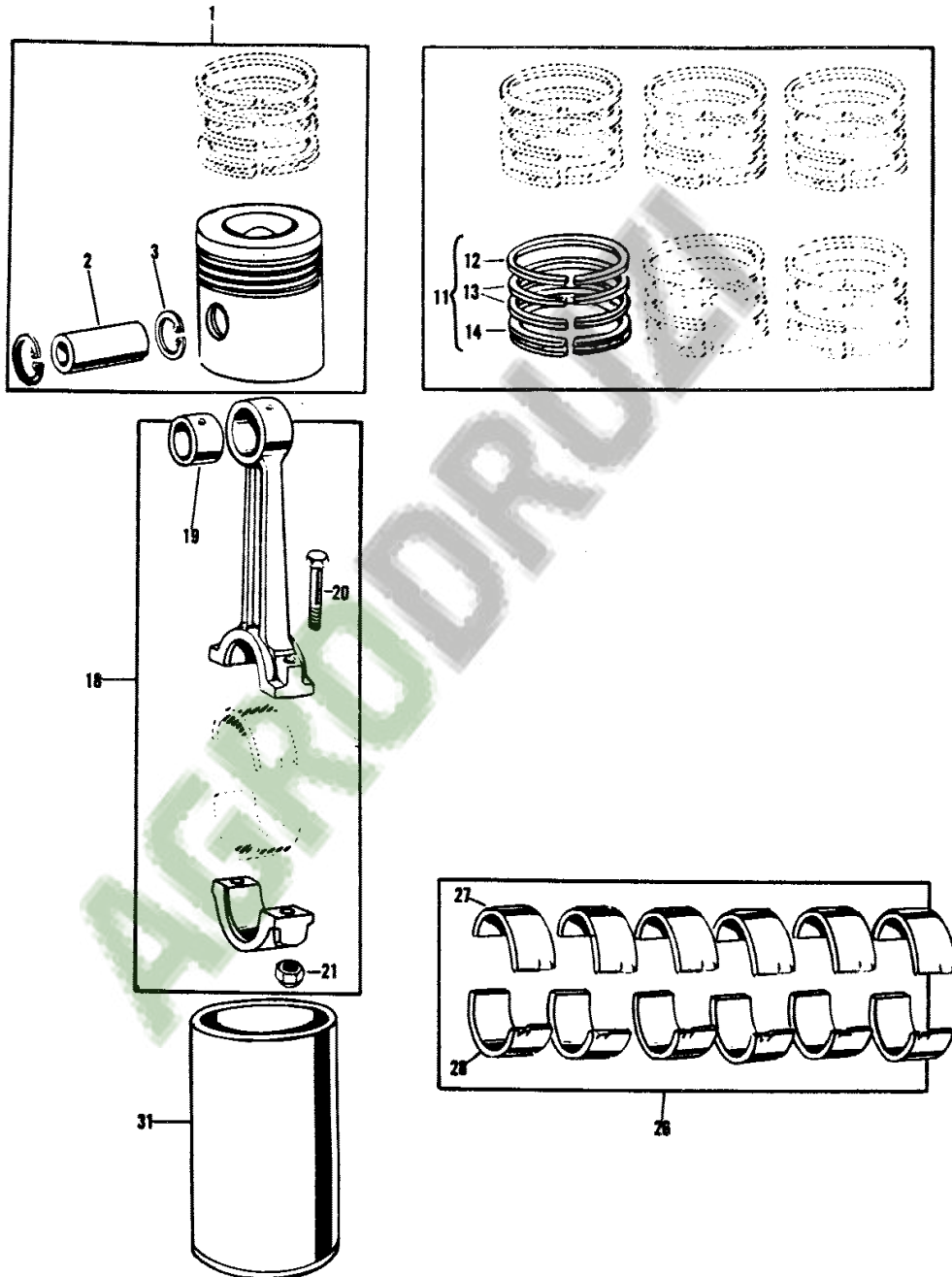
1st Print

651 331 M95 (Issue 1) 32

550

PISTON S, RINGS AND RODS

1696 229

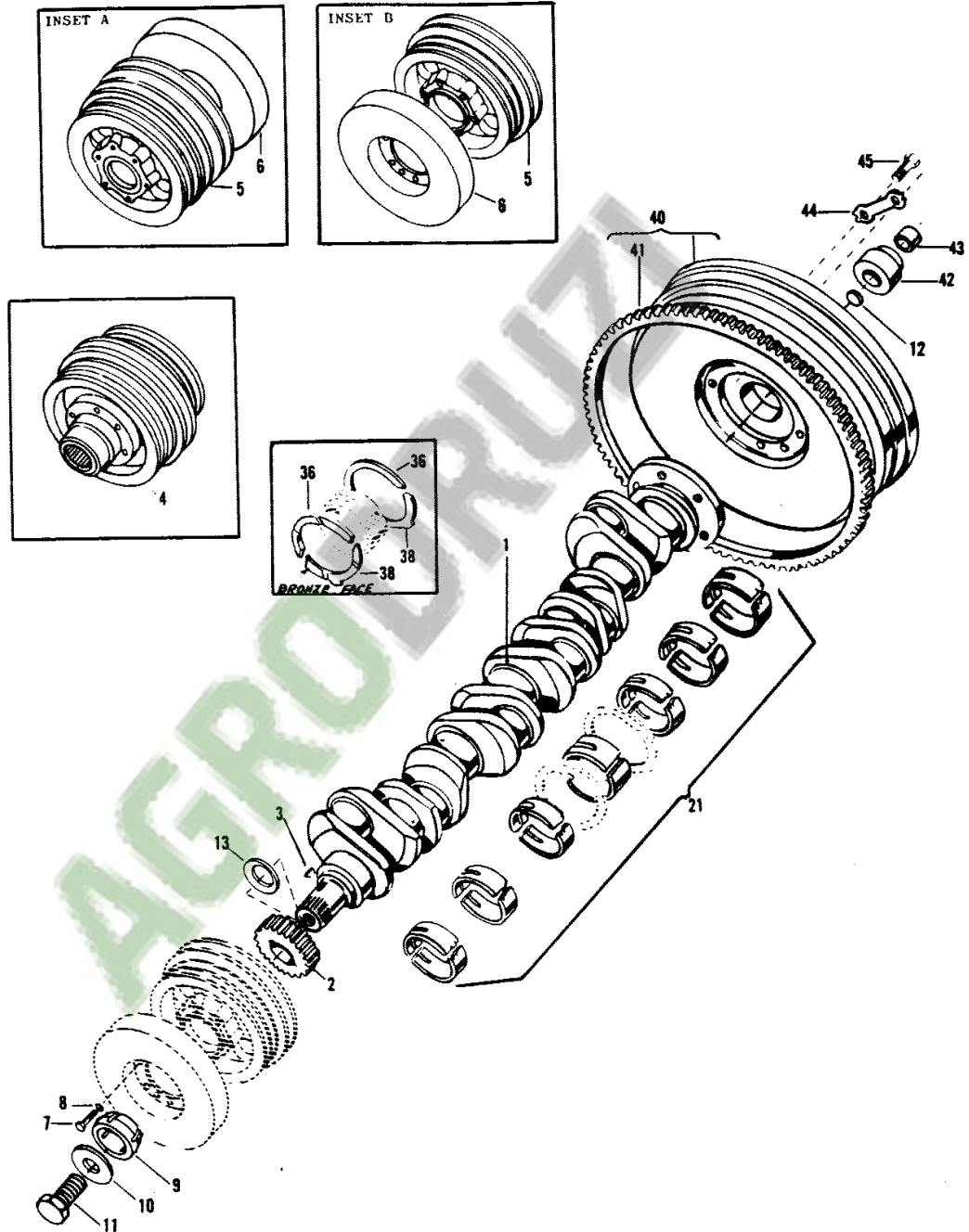


1st Print

651 331 M95 (Issue 1) 12/77

CRANKSHAFT AND FLYWHEEL

1696 230-1



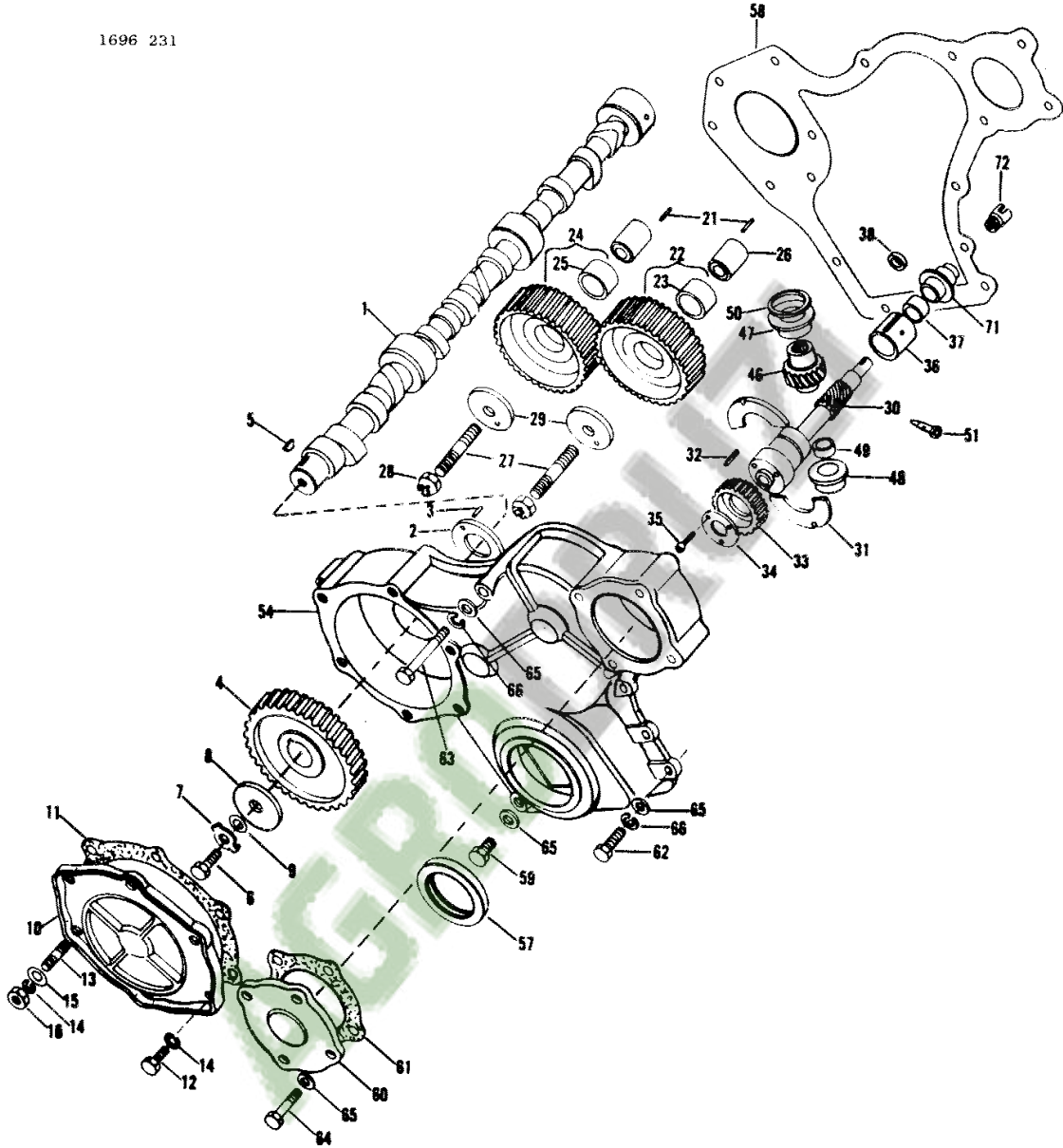
1st Print

651 331 M95 (Issue 1) 02/07

554

TIMING GEAR

1696 231



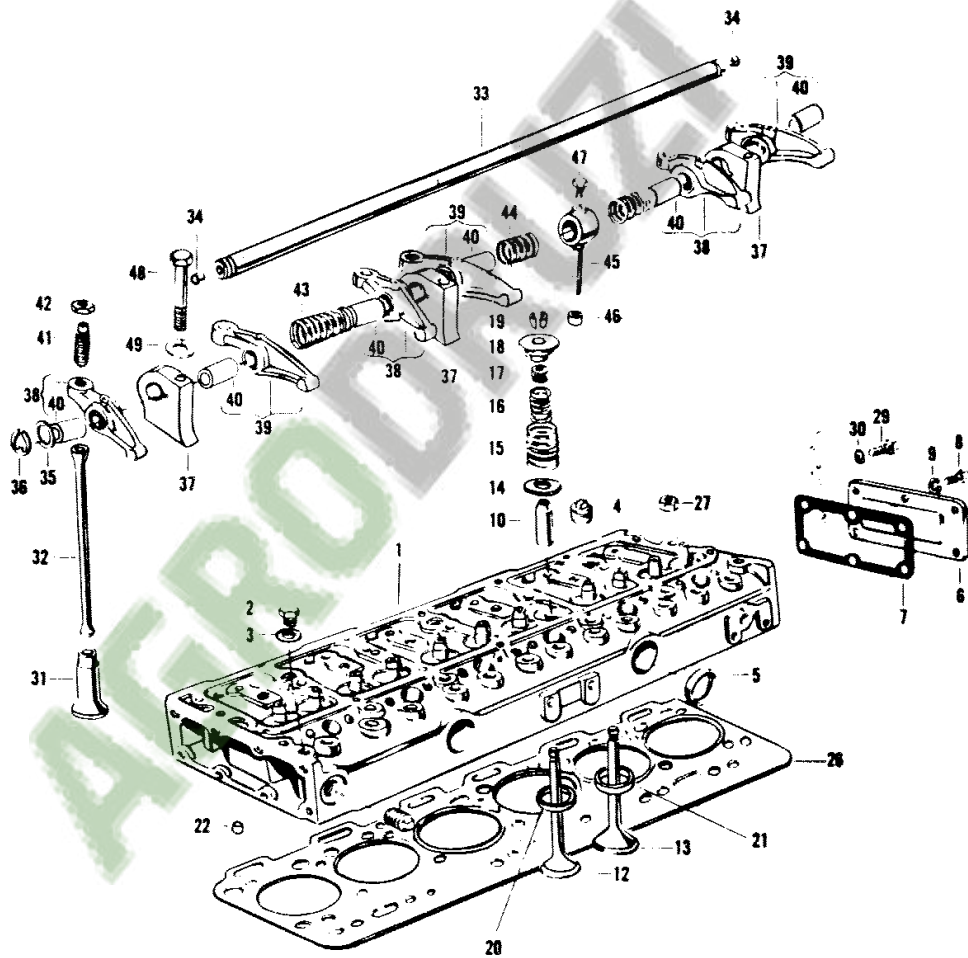
1st Print

651 331 M95 (Issue 1) 12/77

CYLINDER HEAD

557

1696 232



1st Print

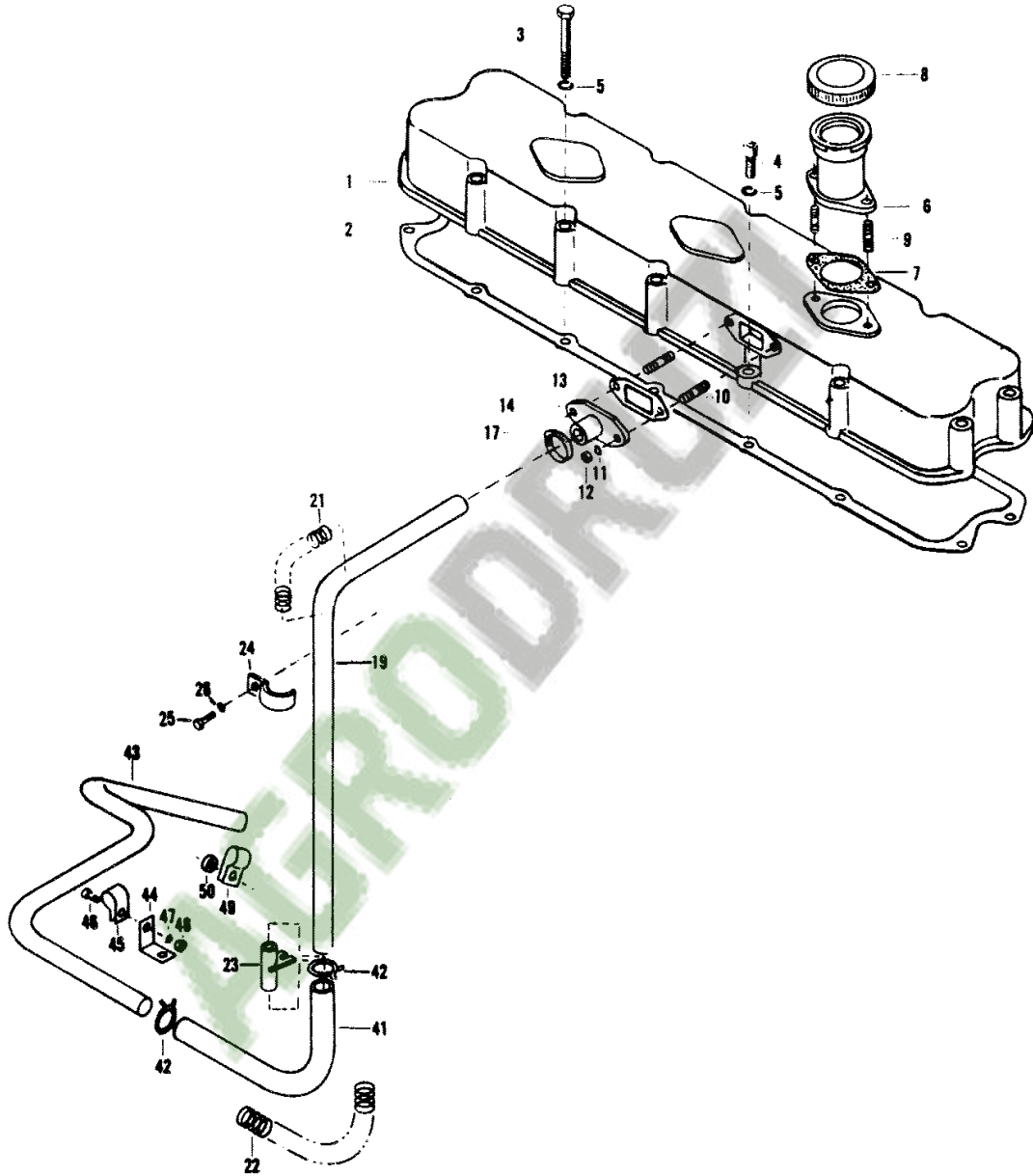
651 331 M95 (Issue 1) 12/07



558

CYLINDER HEAD COVER

1696 233

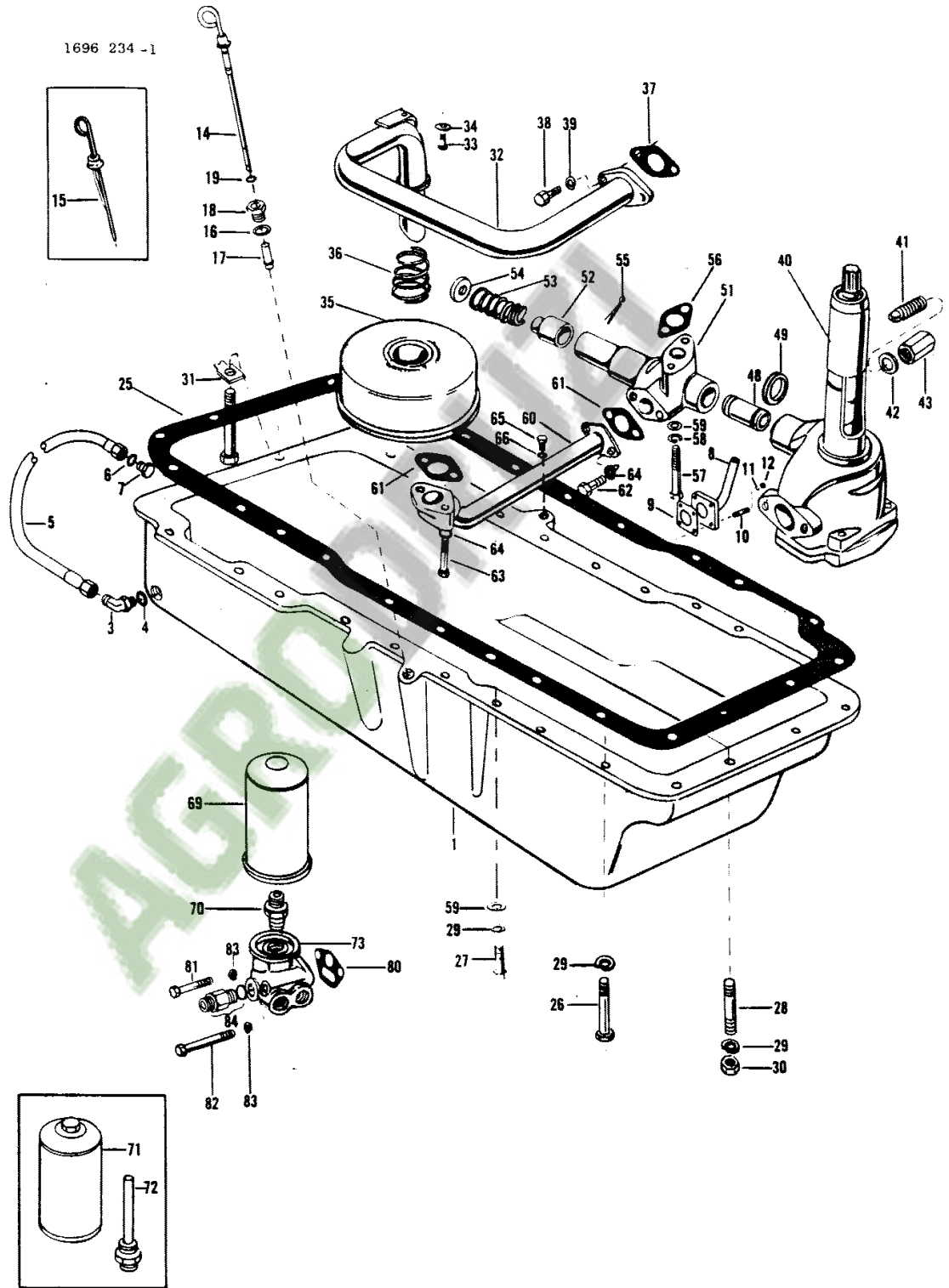


1st Print

651 331 M95 (Issue 1) 12/77

OIL PAN, PUMP AND FILTER

561



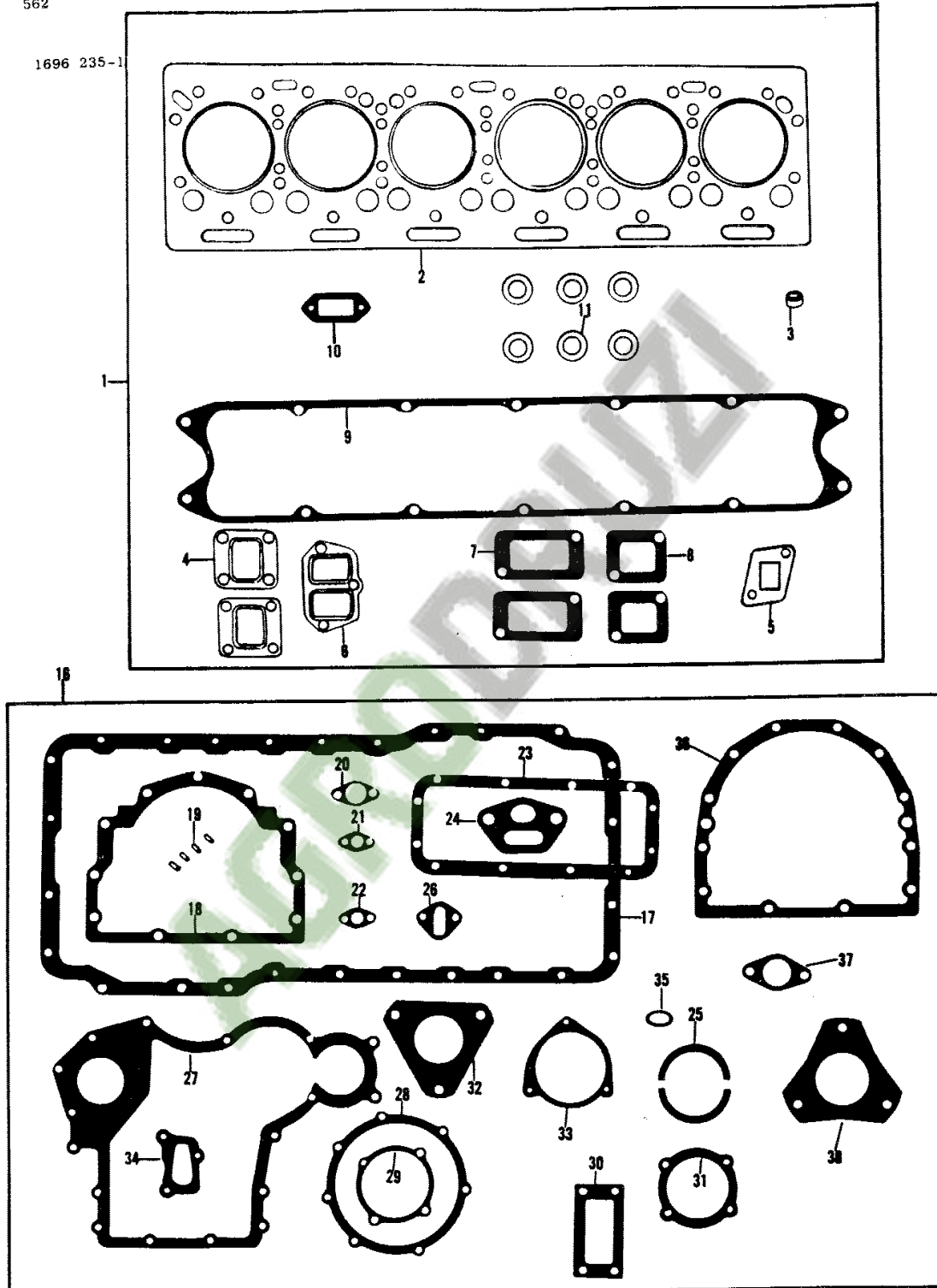
1st Print

651 331 M95 (Issue 1) 12/77

562

GASKET SET

1696 235-1



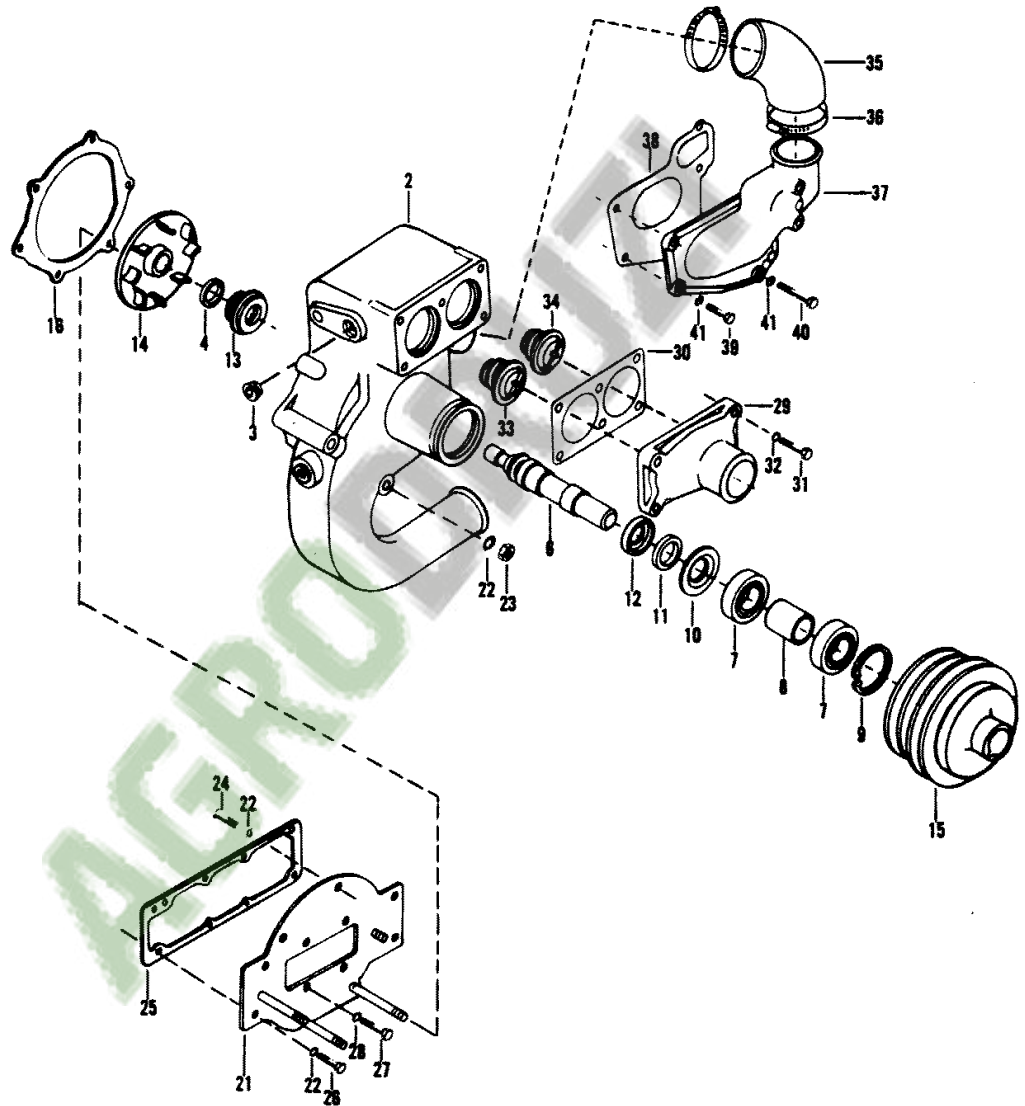
1st Print

651 331 M95 (Issue 1) 12/77

WATER PUMP

565

1696 236 -1



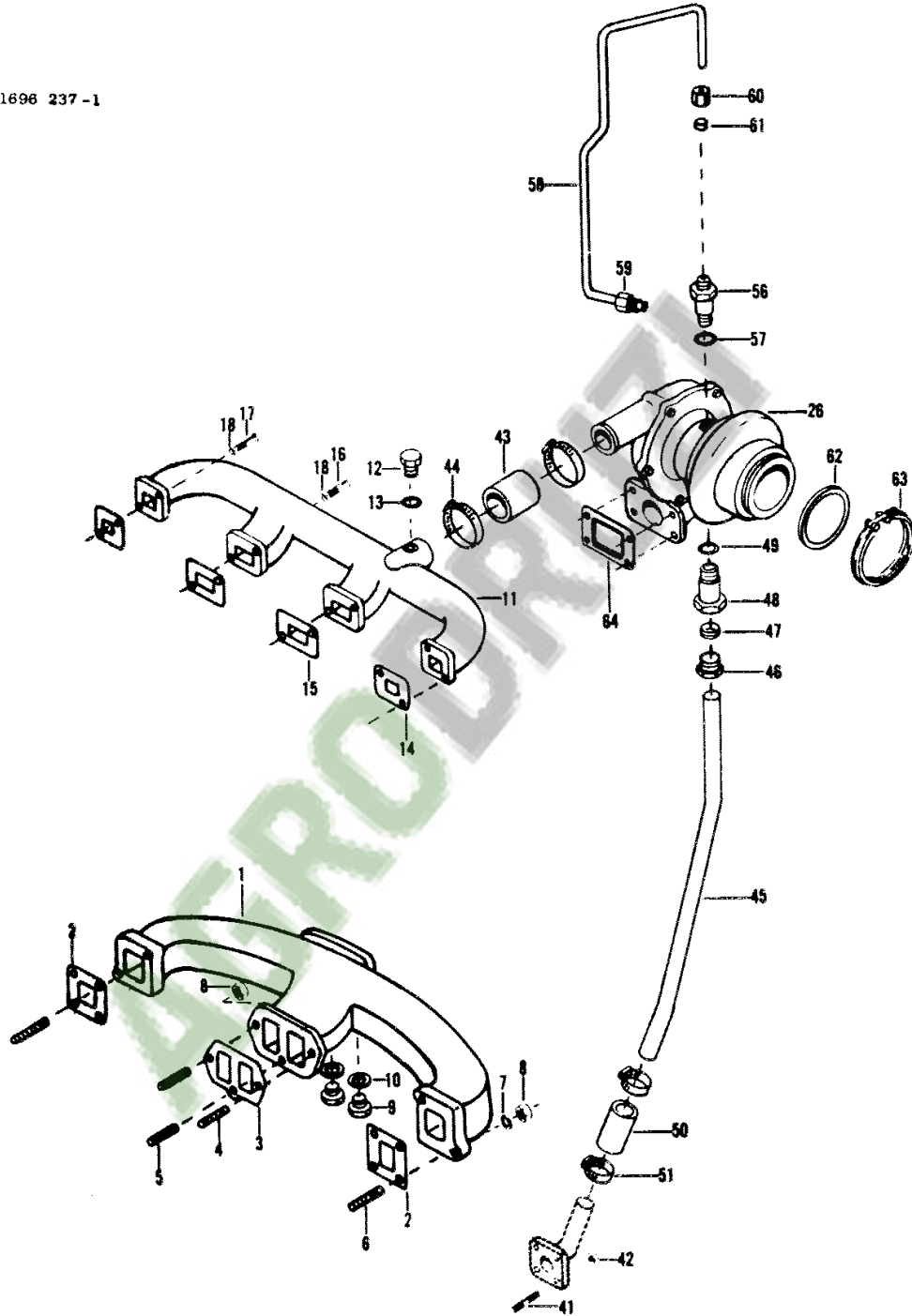
1st Print

651 331 M05 (Issue 1) 12/73

566

MANIFOLDS

1696 237 -1

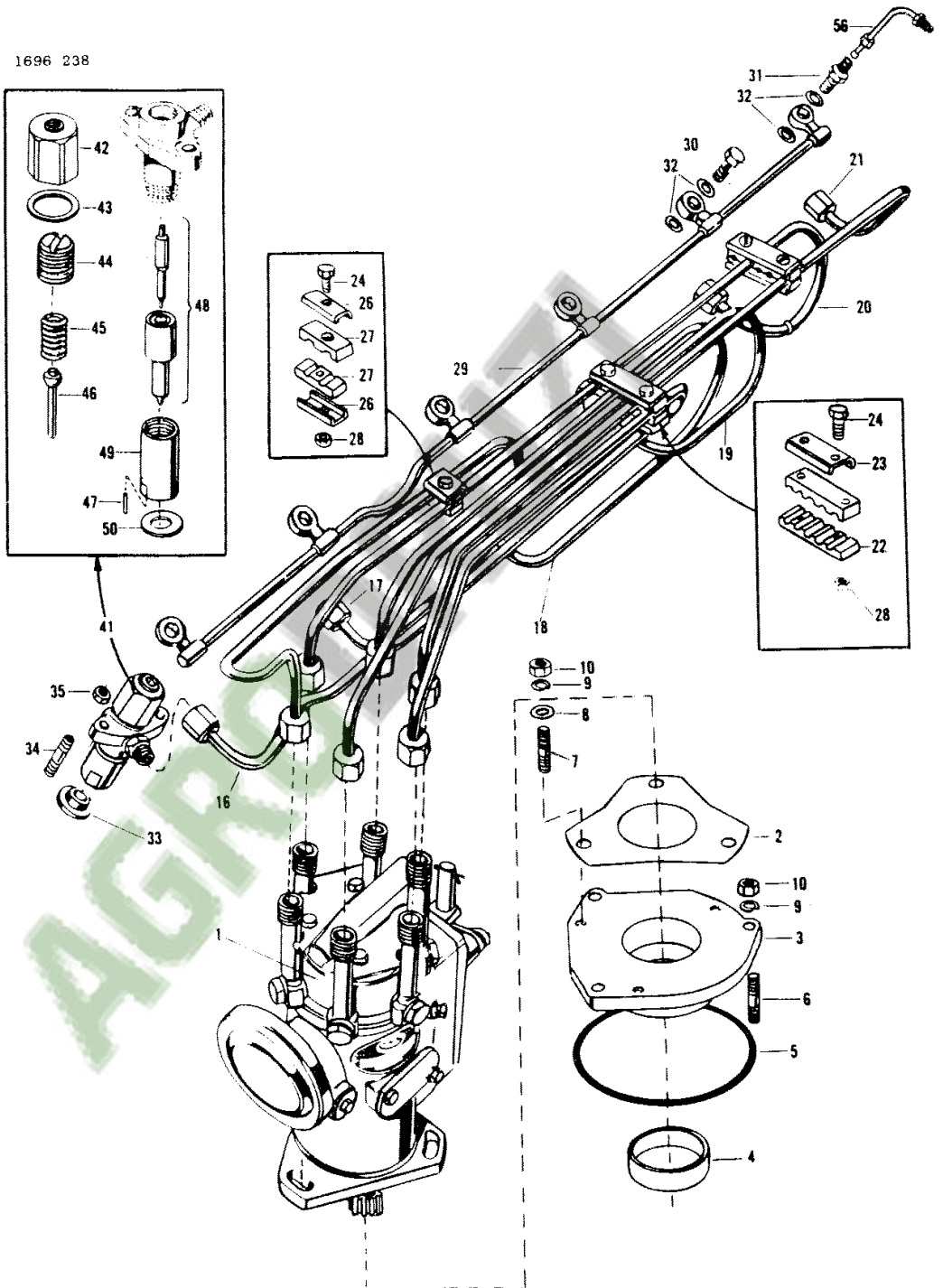


1st Print

651 331 M95 (Issue 1) 12/77

INJECTION SYSTEM

569

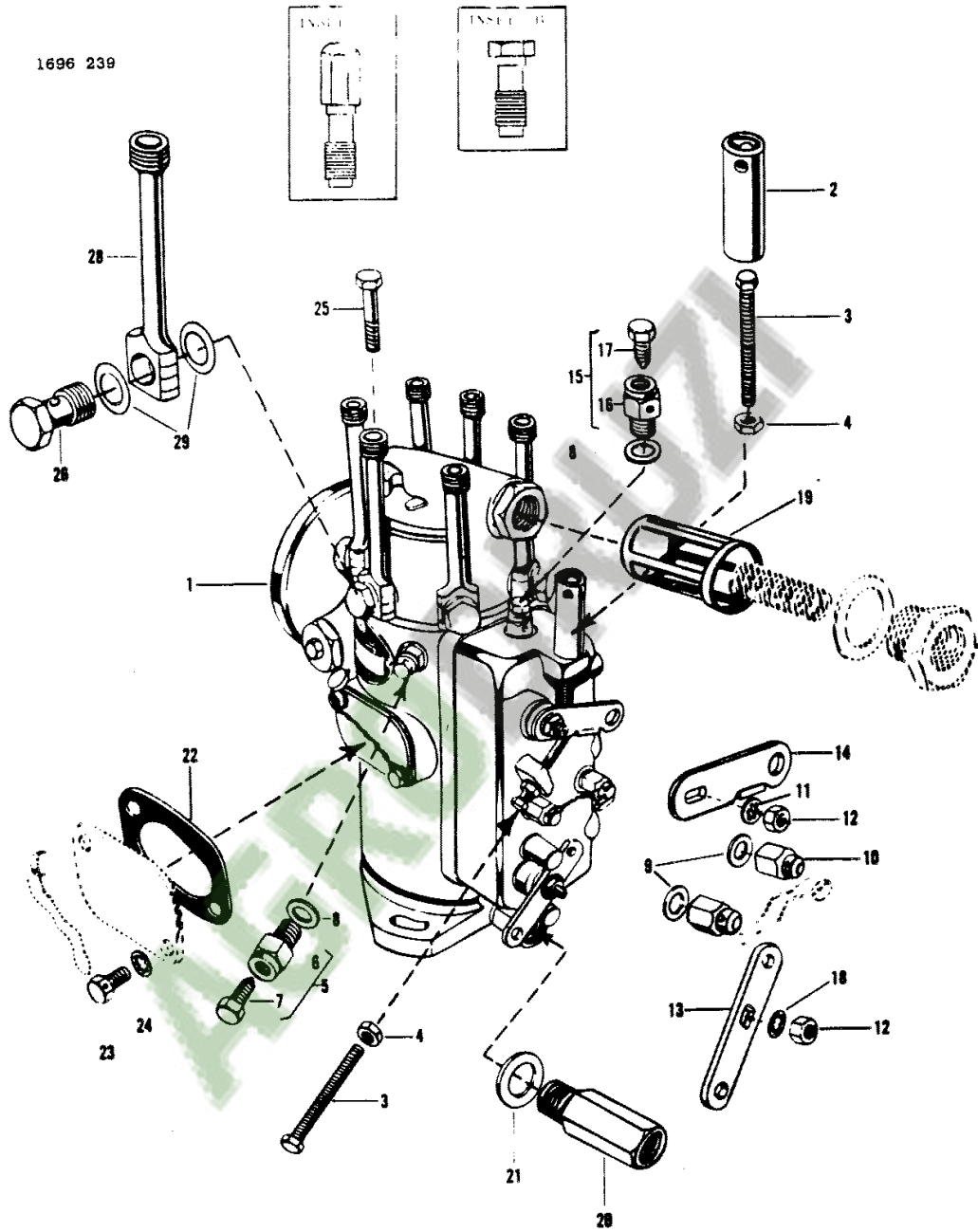


1st Print

651 331 M95 (Issue 1) 15

570

FUEL INJECTION PUMP

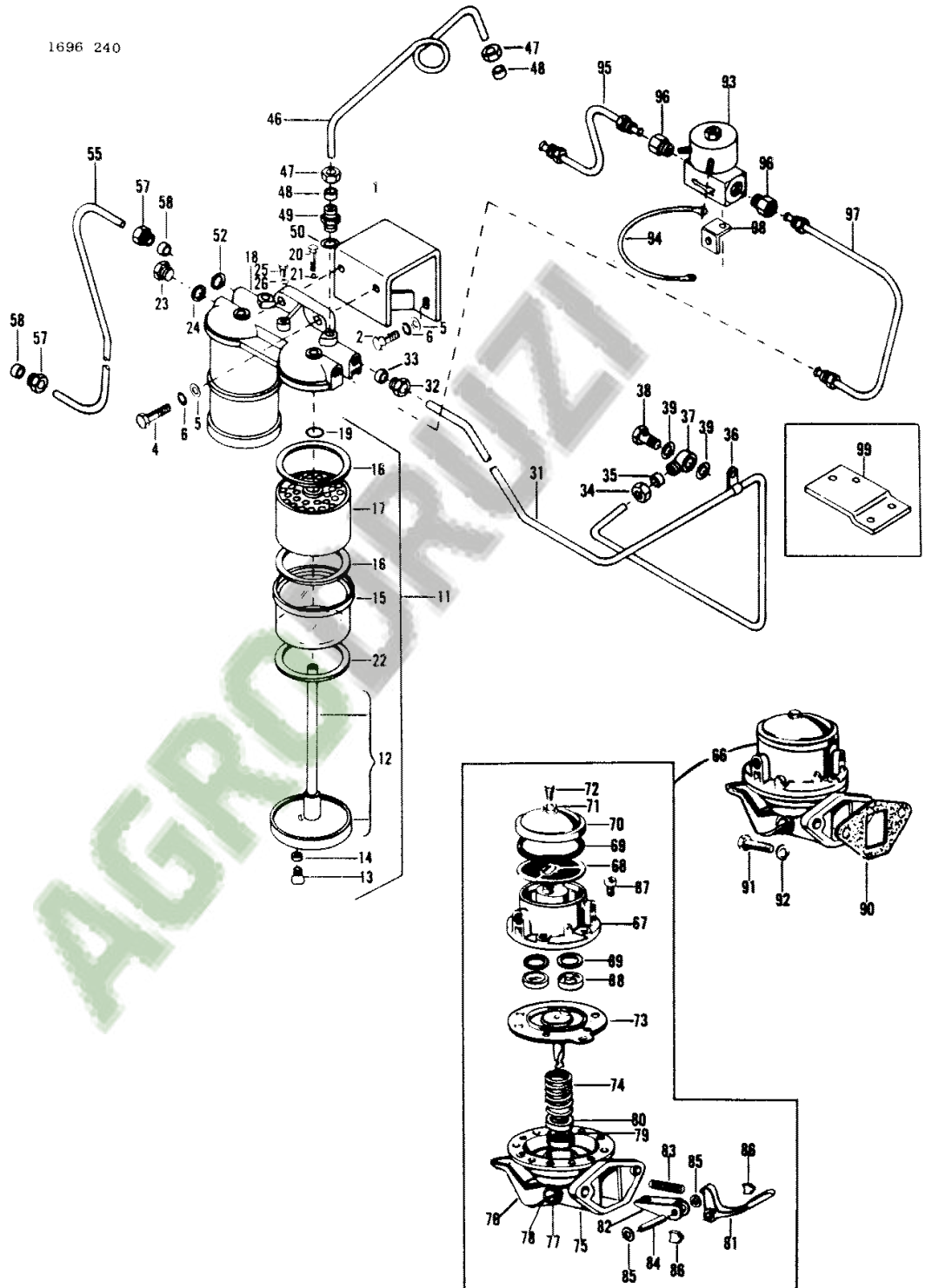


1st Print

651 331 M95 (Issue 1) 12/77

FUEL FILTER AND FUEL PUMP

573



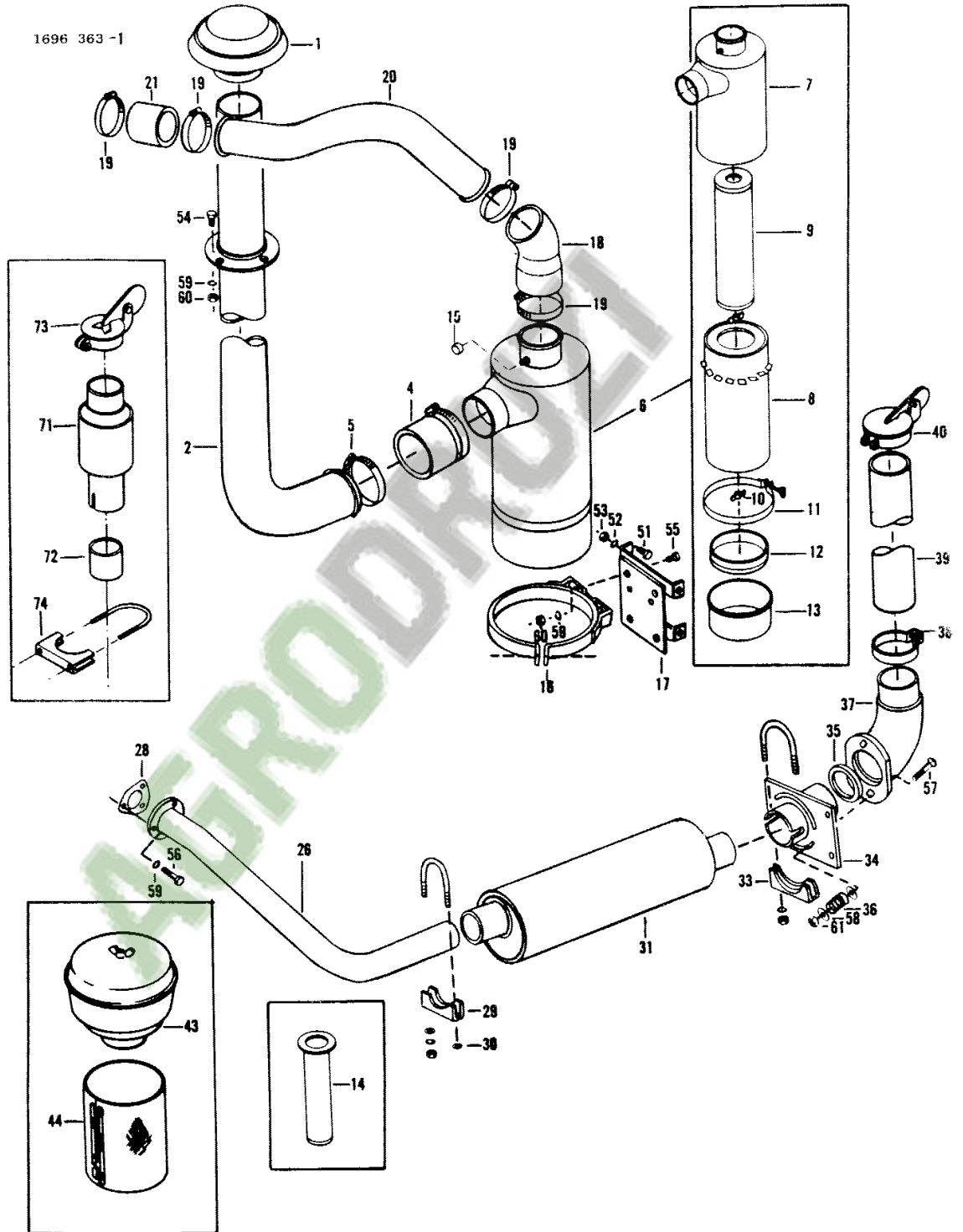
1st Print

651 331 M95 (Issue 1) 12/79



AIR INTAKE AND EXHAUST

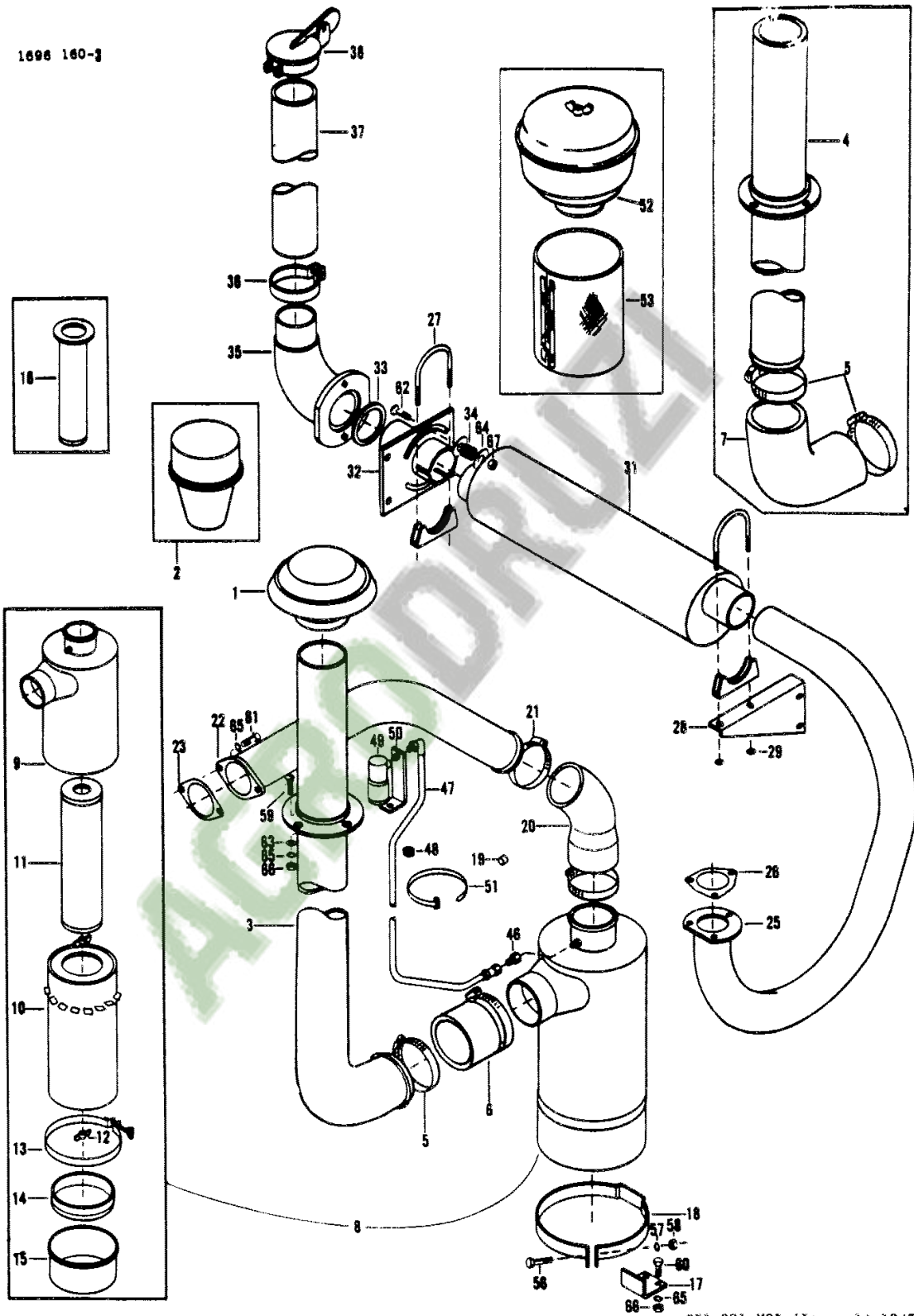
573D



574

AIR INTAKE AND EXHAUST

1696 160-3

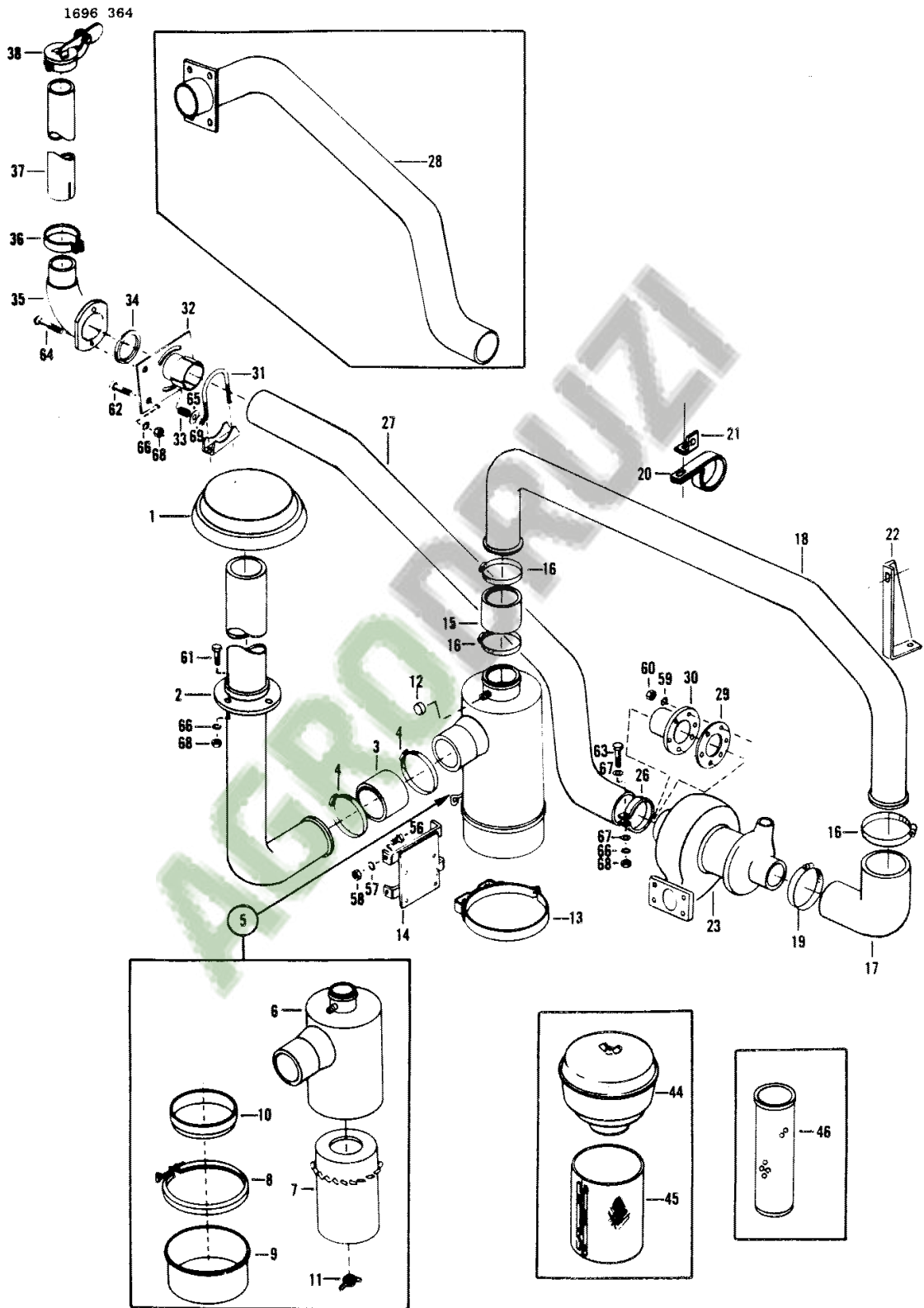


1st Print

651 331 M95 (Issue 1) 12/77

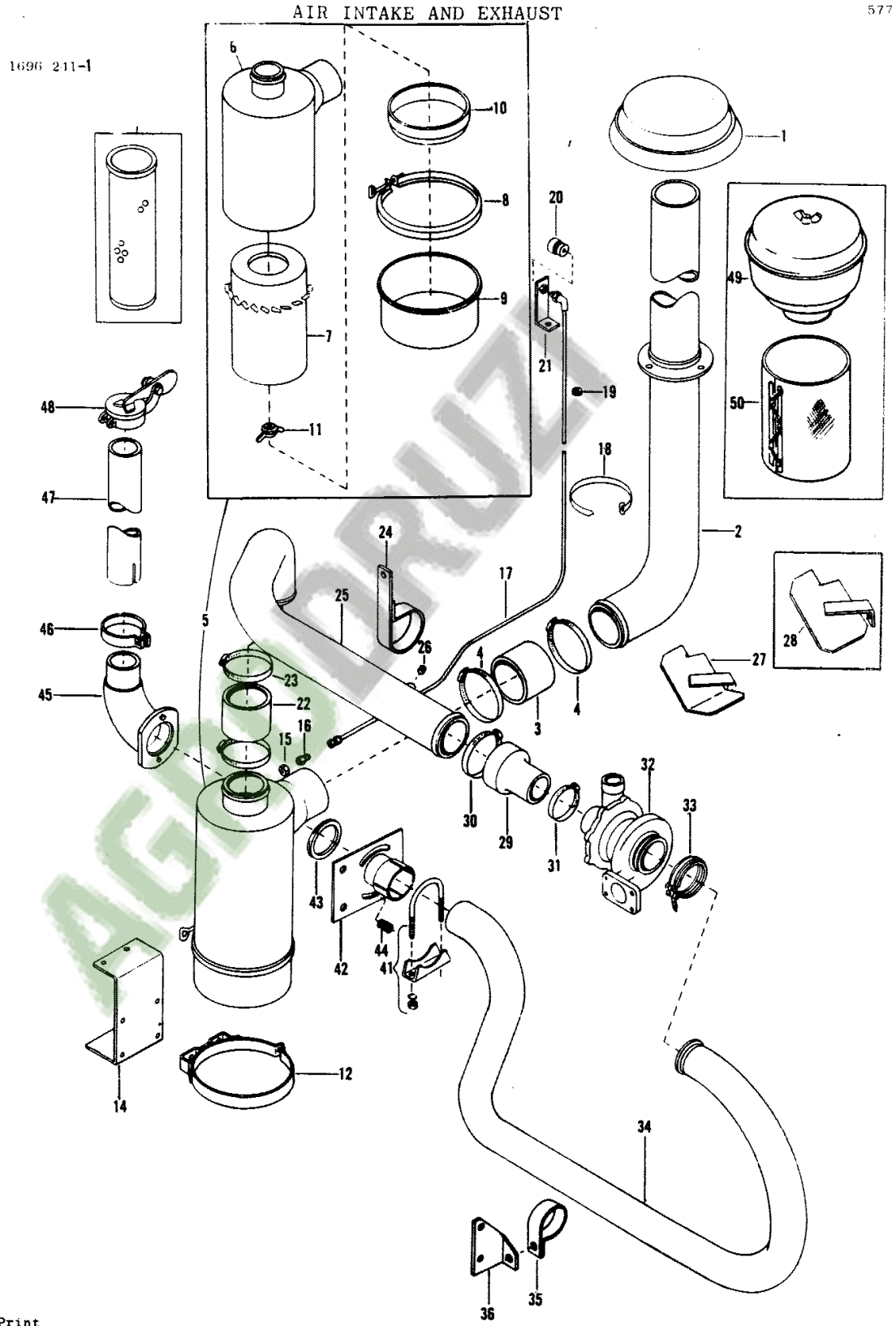
575C

AIR INTAKE AND EXHAUST



78-65

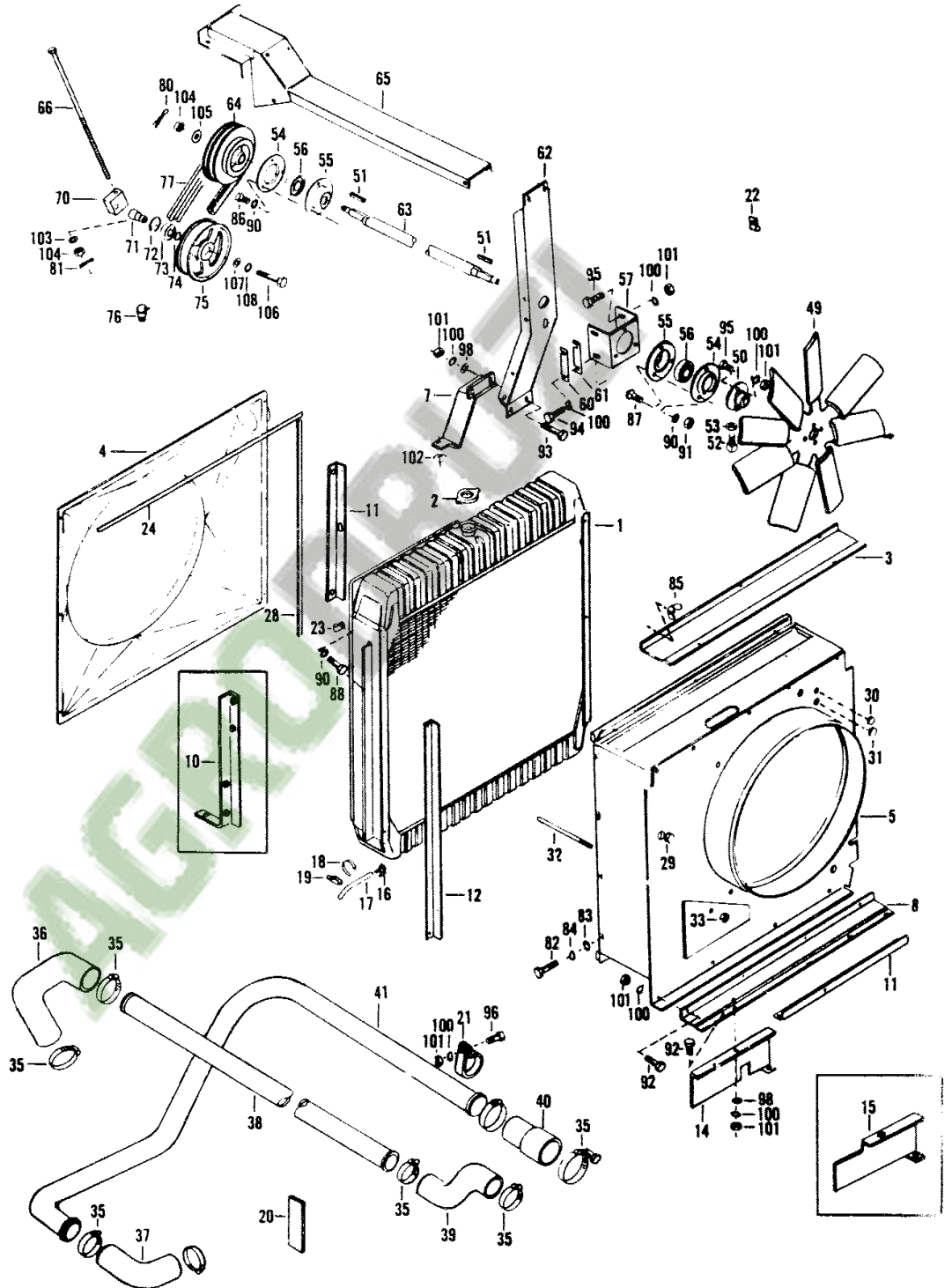
651 331 M95 (Issue 1) 8/78



RADIATOR, FAN, DRIVE

577D

1696 365



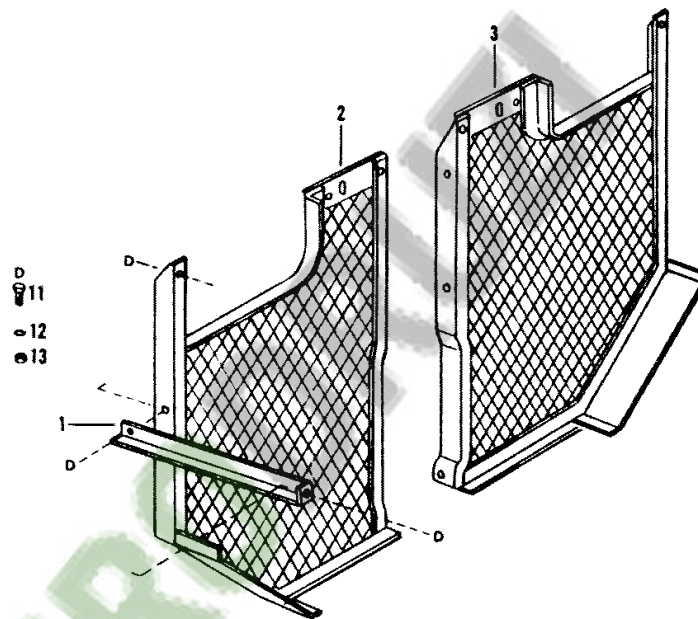
79-16

651 331 M95 (Issue 1) 2/3

SCREENS

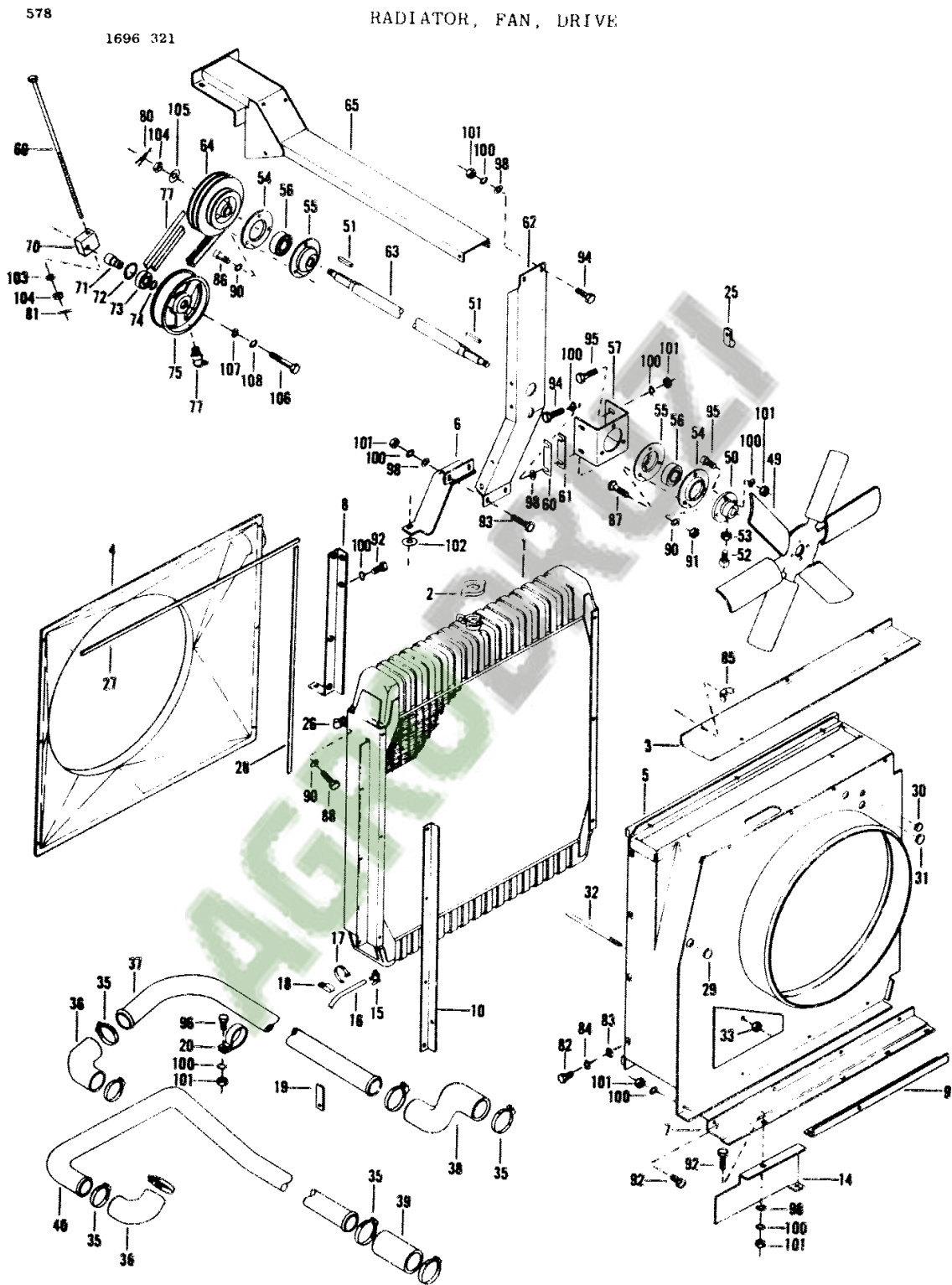
577:

.696 426



79-16

651 331 M95 (Issue 1) 2/2



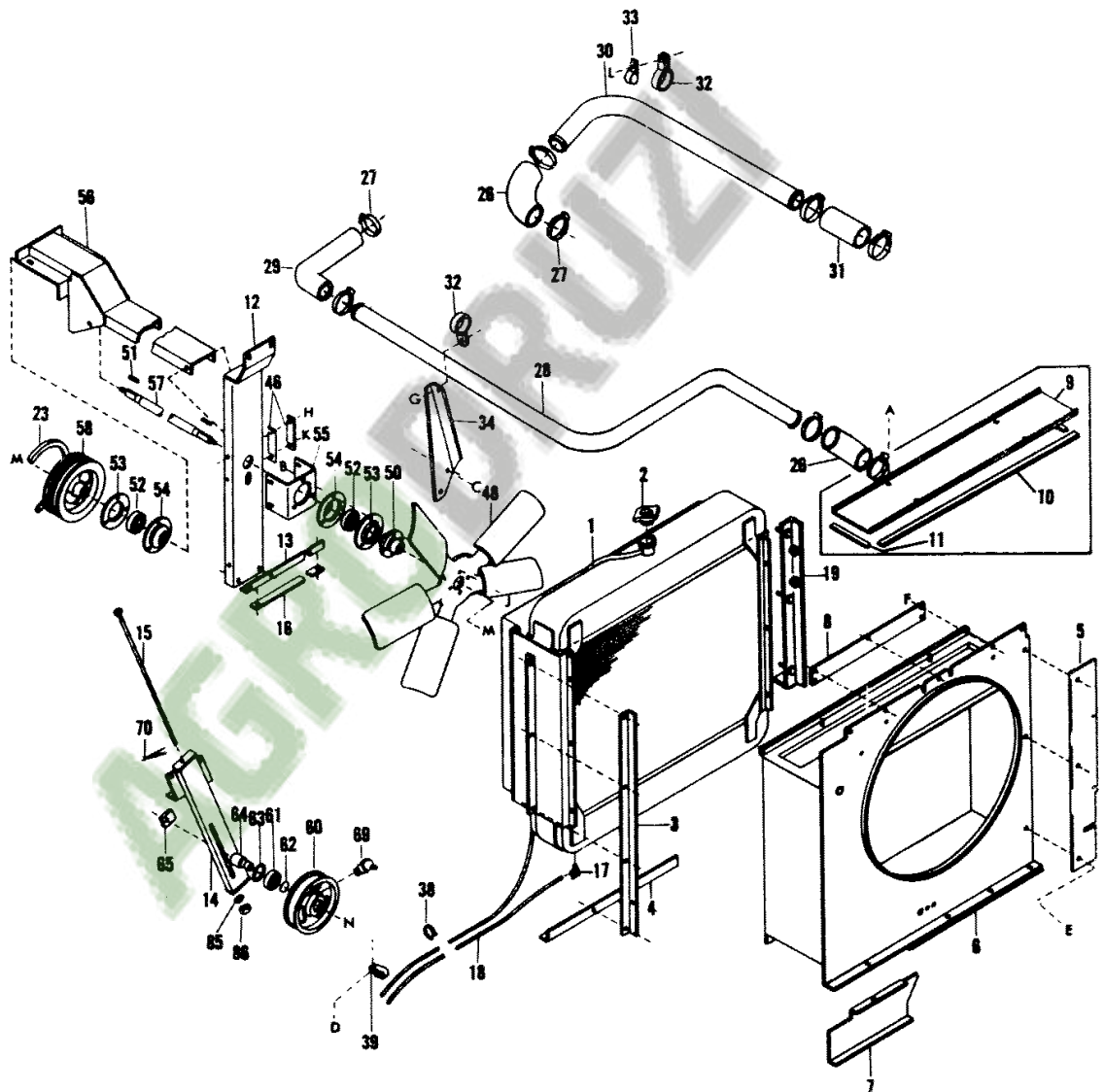
Int Print

601 331 M85 (Table 1) 12/79

RADIATOR, FAN, DRIVE

581

1696 159-2



A	B	C	D	E	F	G	H	J	K	L	M	N
71	73	74	77	77	78	78	78	78	80	80	84	88
72											87	
	75	75	82	82	82	82	81	82	81	82		
	76	76	83	83	83	83	82	83	82	83		85
							83		83			88
												89

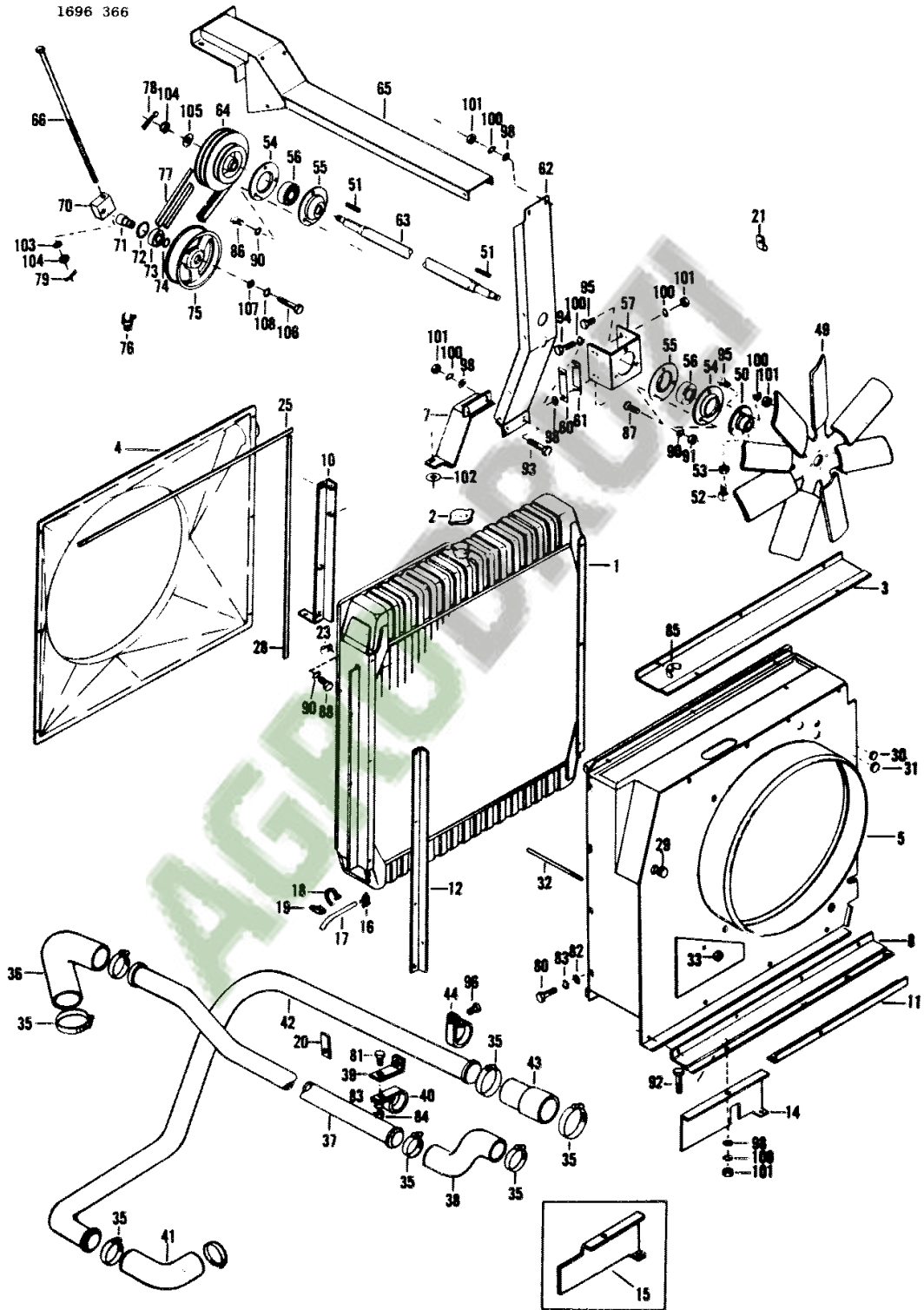
1st Print

651 331 M95 (Issue 1) 12/77



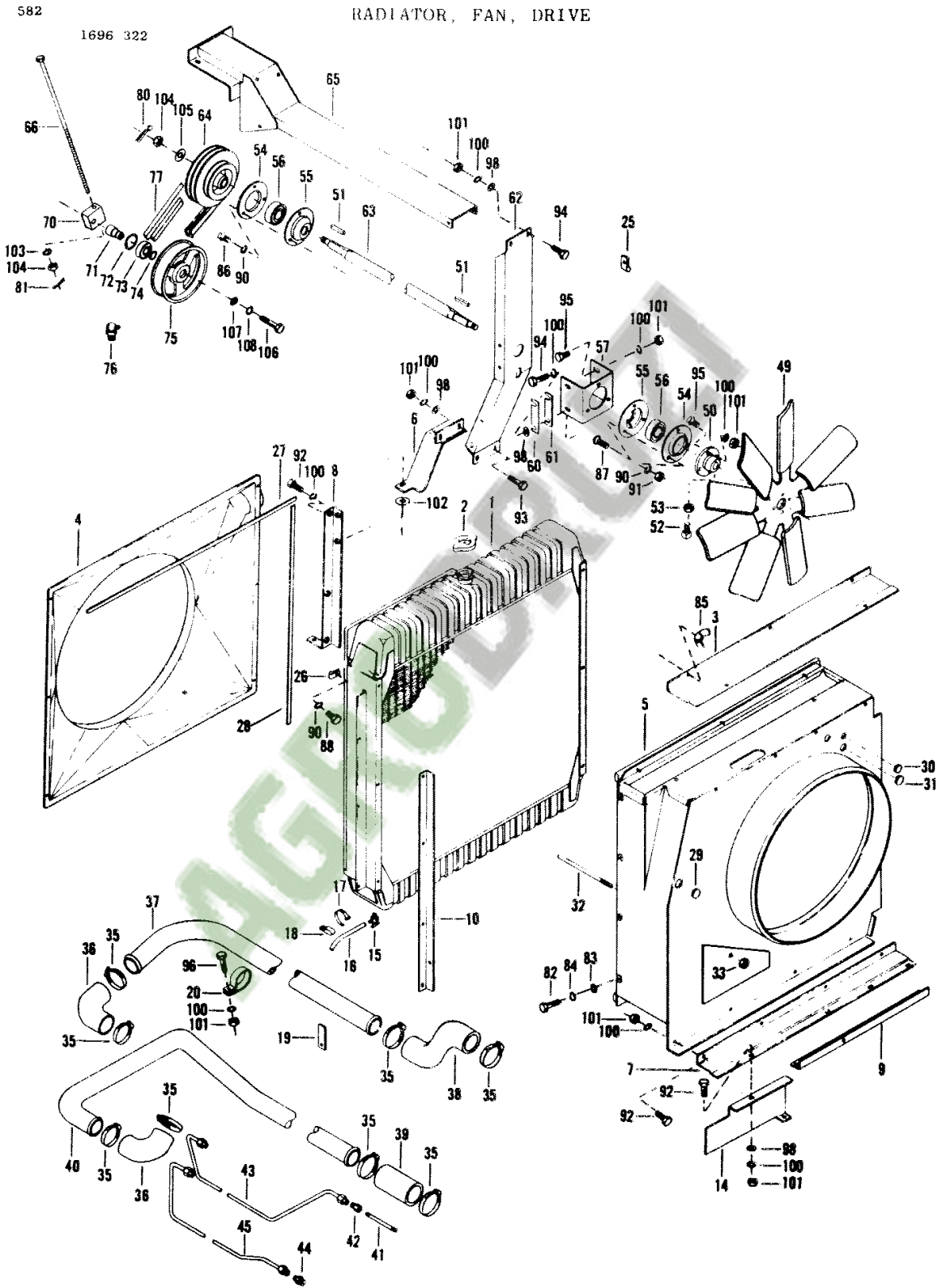
581A

RADIATOR, FAN, DRIVE



79-16

651.331 M86 (Issue 2) 2/79



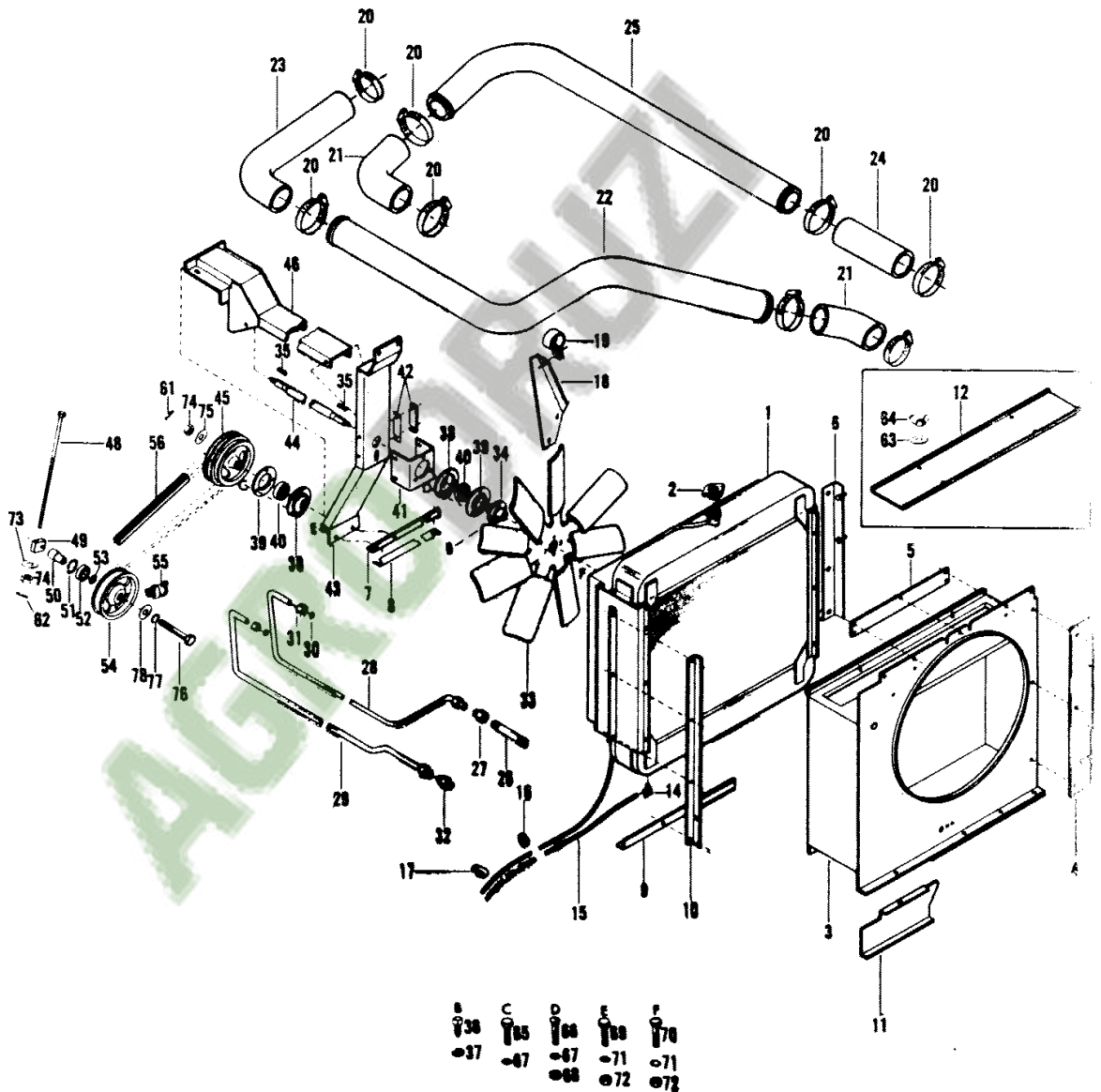
1st Print

651 331 M85 (Issue 1) 12/77

RADIATOR, FAN, DRIVE

585

1696 242 -1



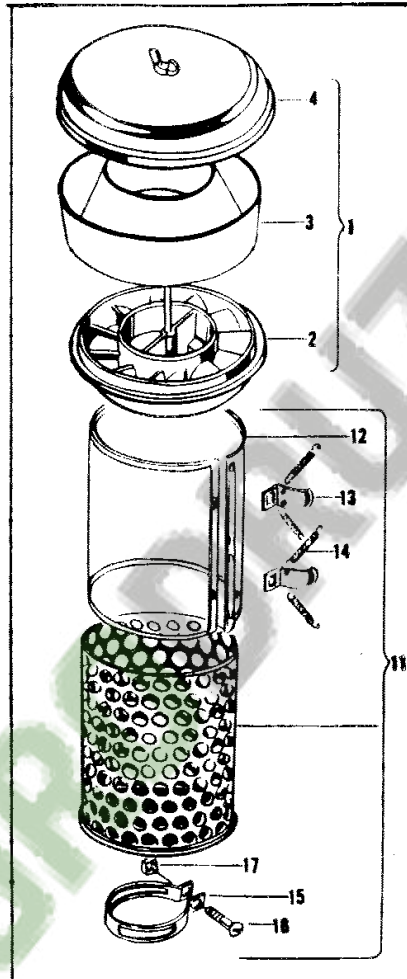
79-45

651 331 M95 (Issue 2)

586

PRE-CLEANER, 'PRE-SCREENER

1696 161



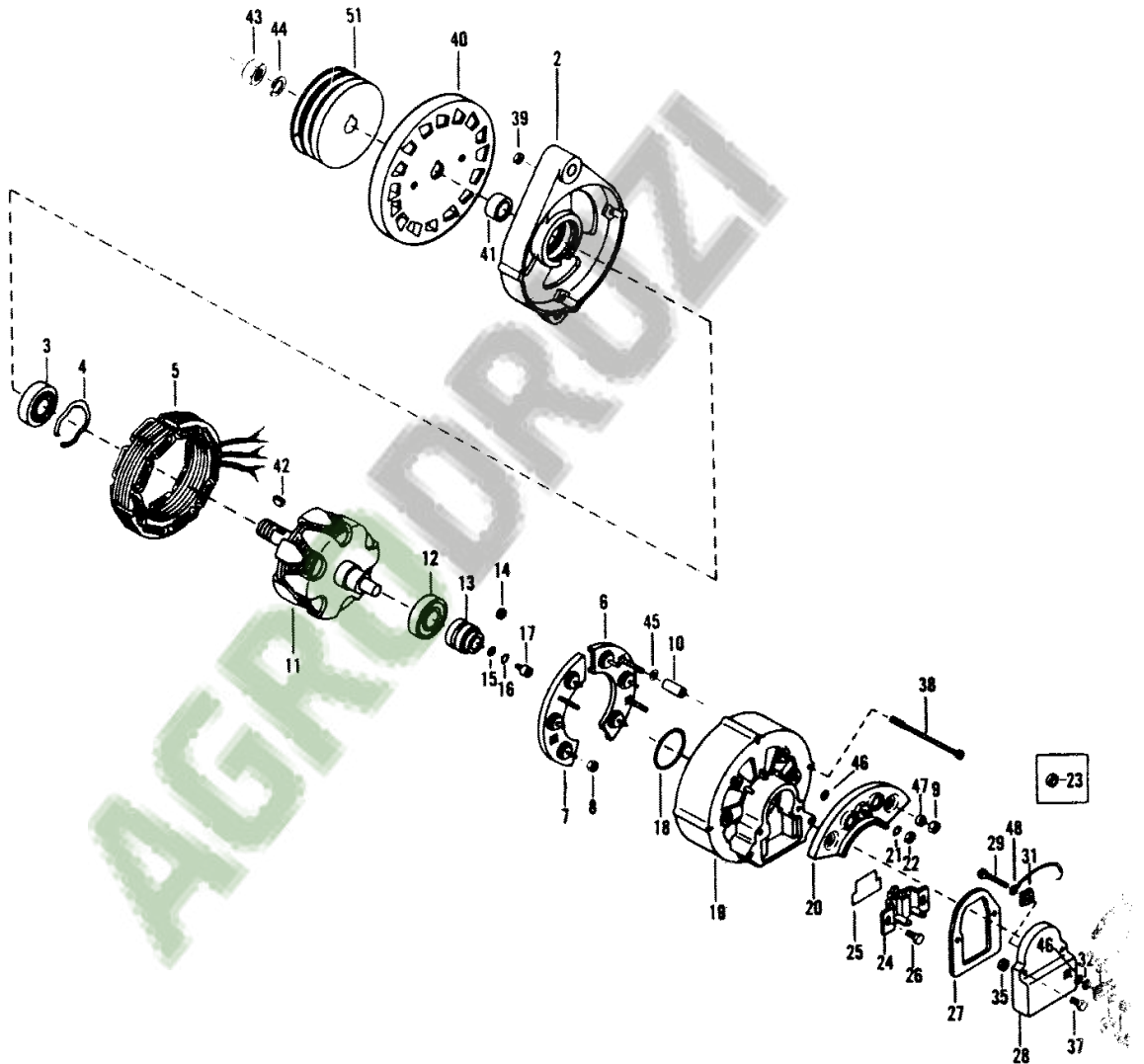
1st Print

651 331 M05 (Issue 1) 12/77

ALTERNATOR

589

1696 162



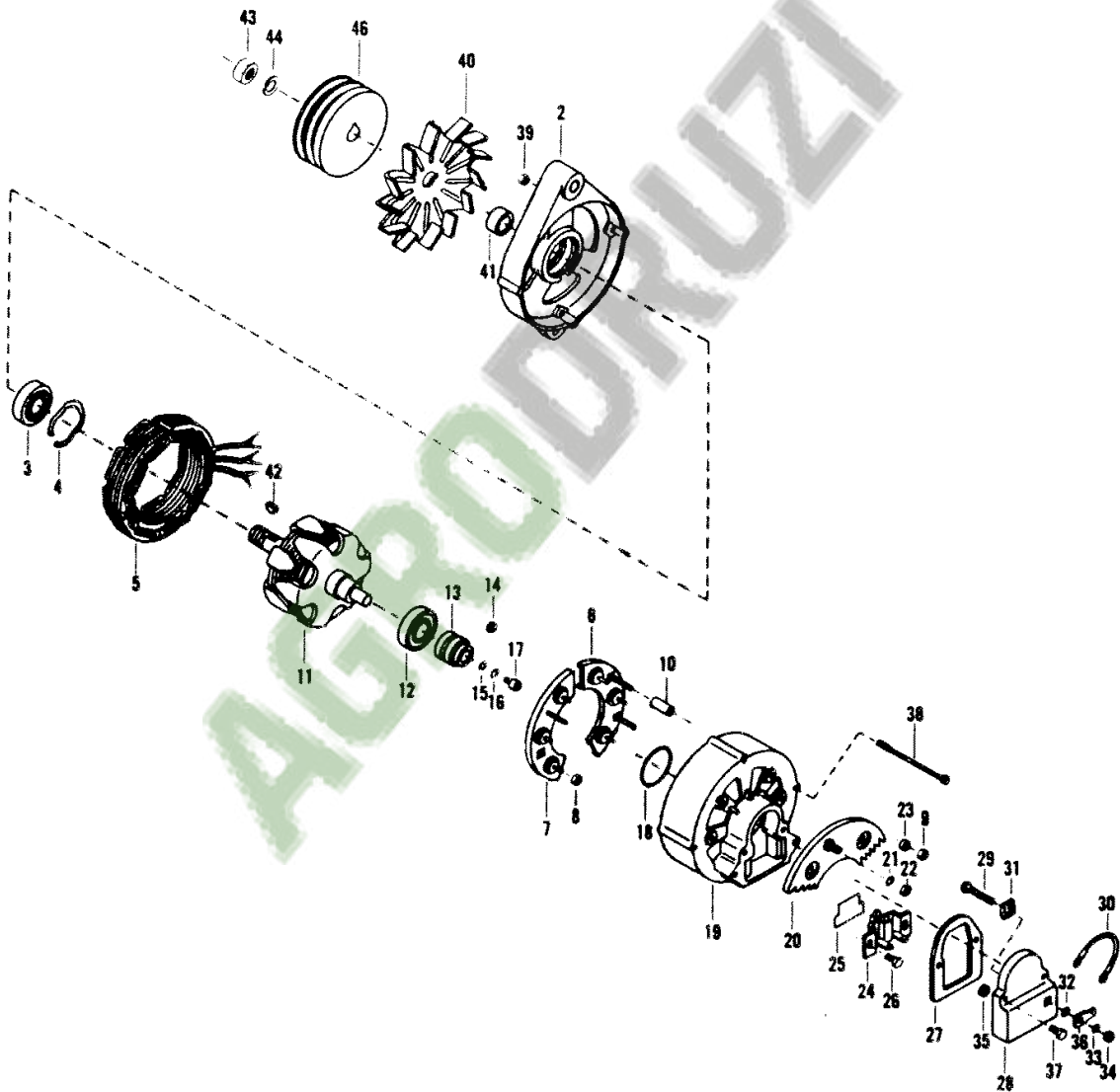
79-16

651 331 M95 (Issue 2) 27

590

ALTERNATOR

1696 163



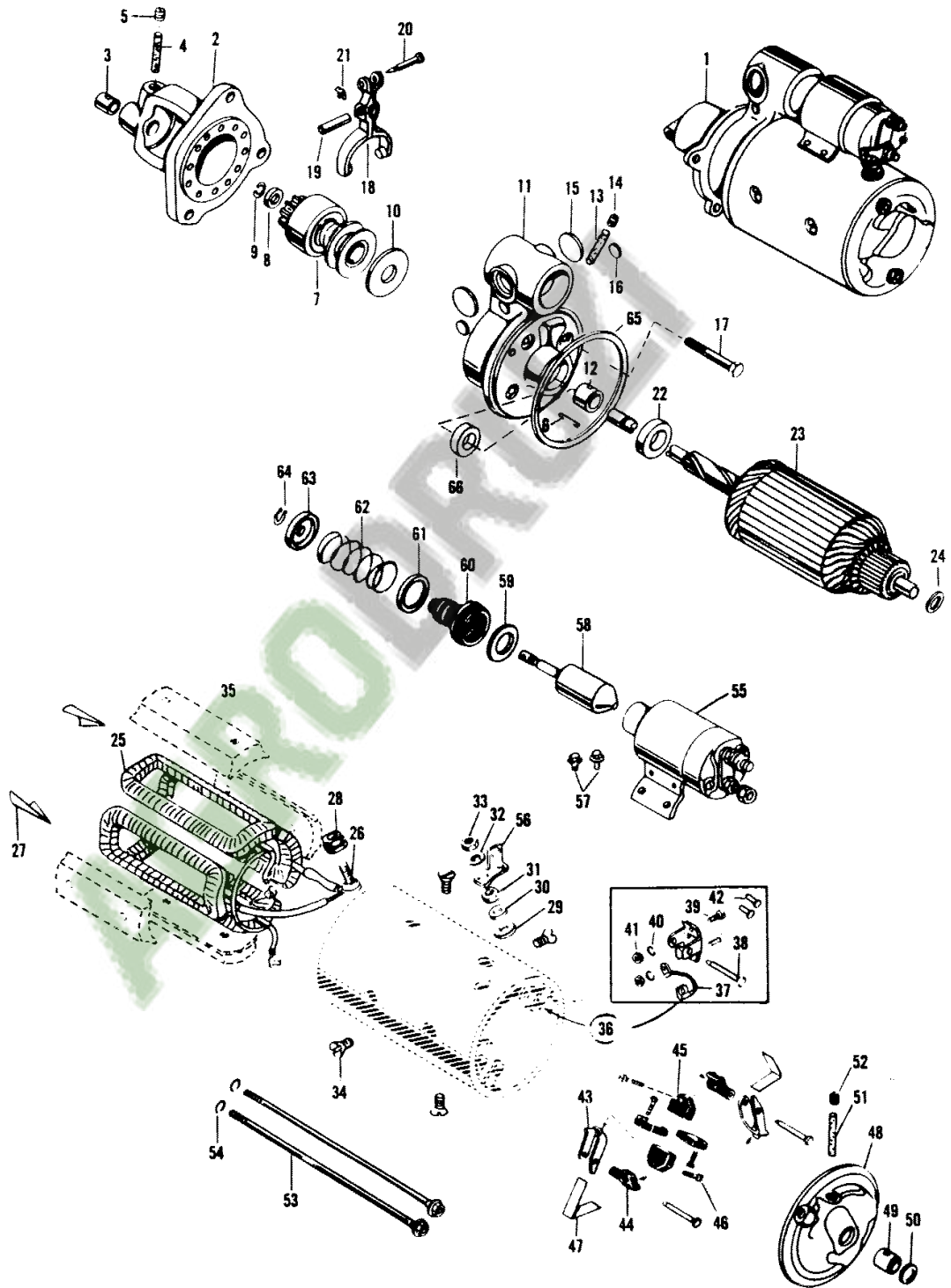
1st Print.

651 331 M95 ( Issue ) 12/77

STARTER

591E

1696 368



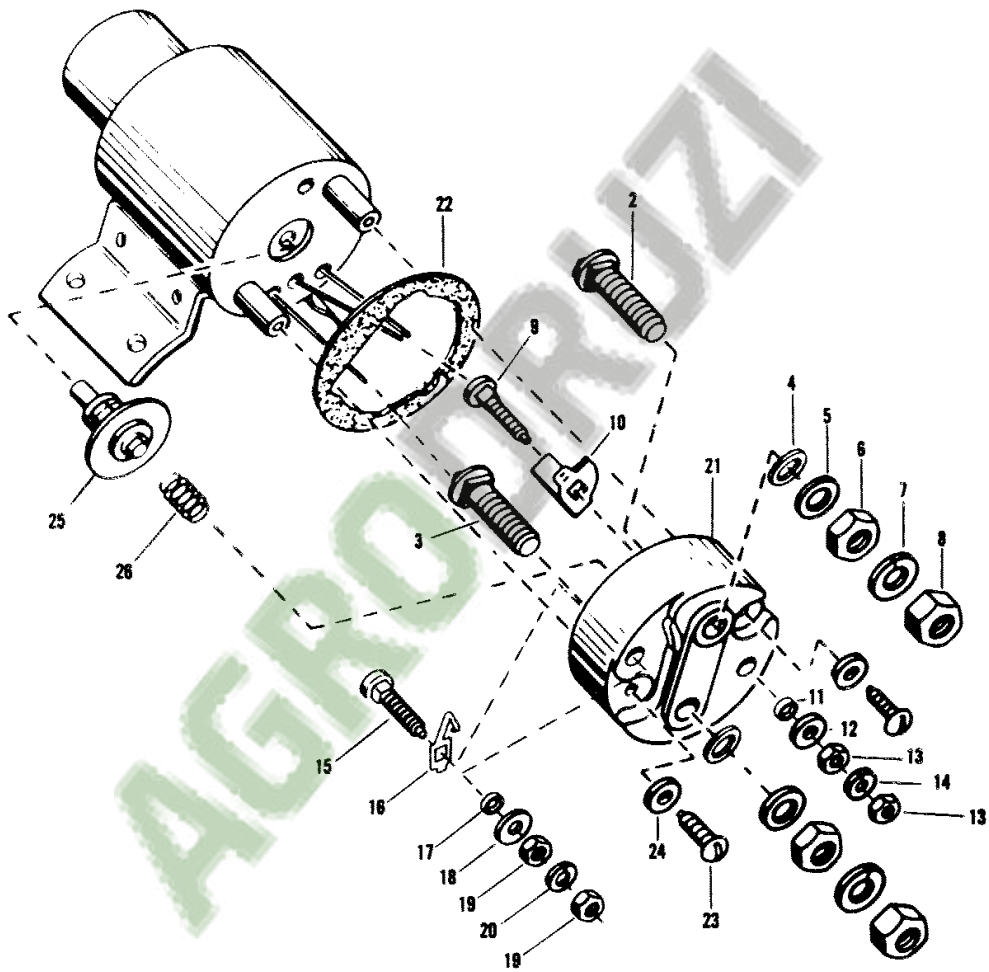
78-65

651 331 M95 (Issue 1) 8/20

591C

SOLENOID

1696 369



78-65

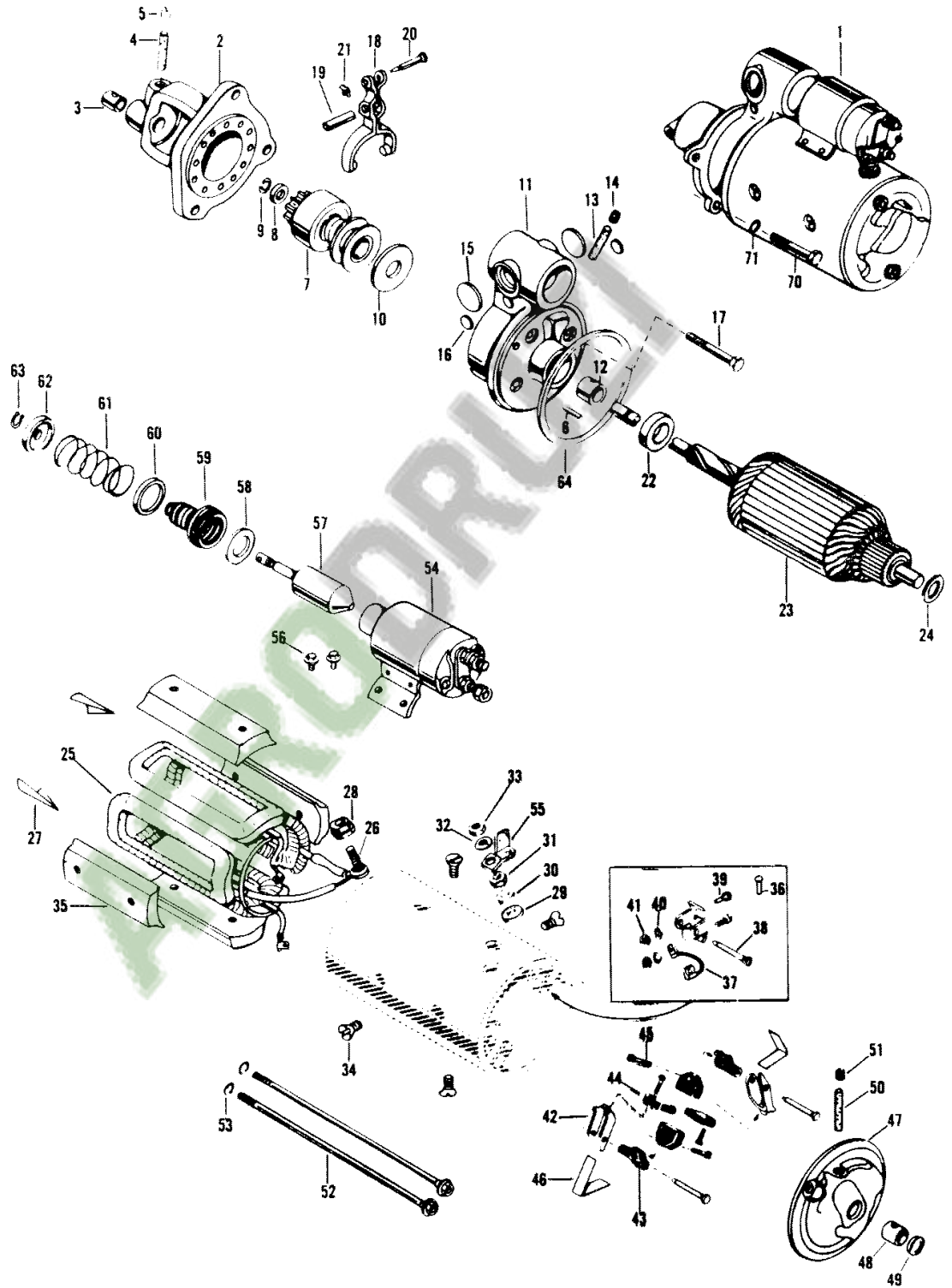
651 333 M85 (Issue 1) 8/78



STARTER

593

1696 164



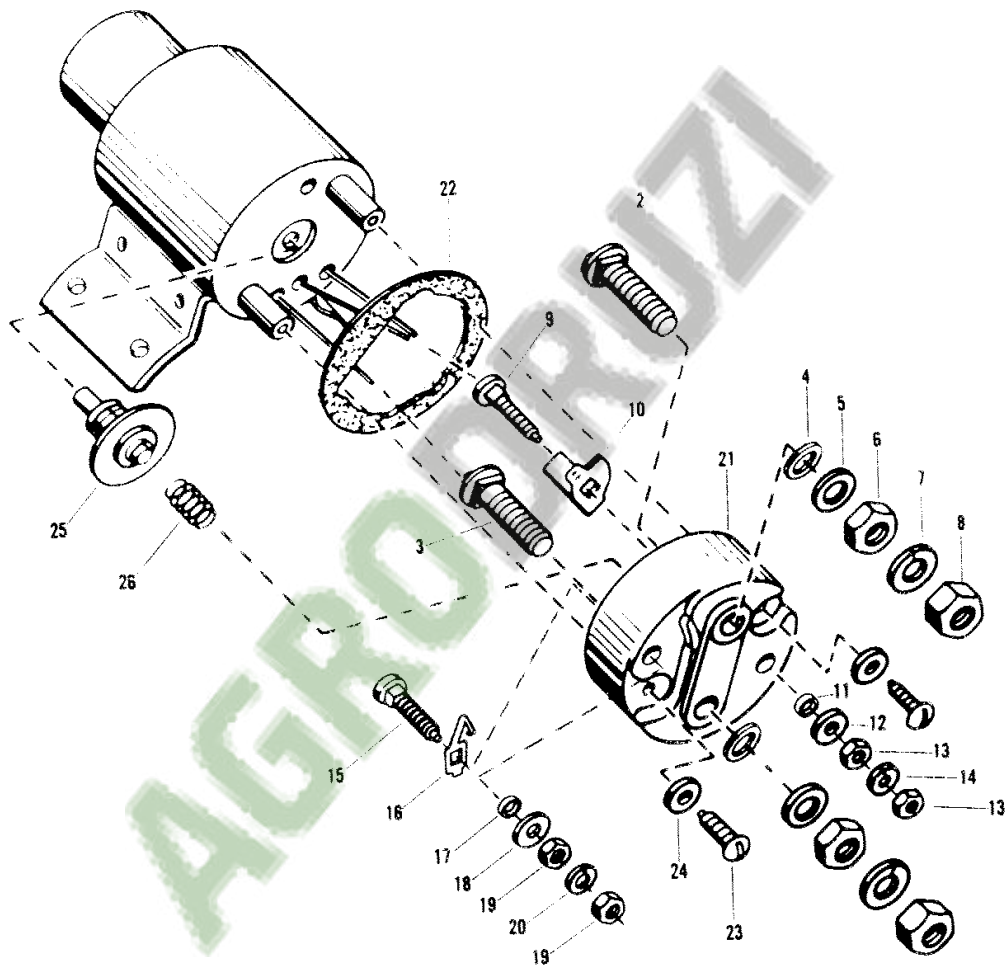
1st Print

651 331 M95 (Issue 1) 12/77

594

SOLENOID

1696 165

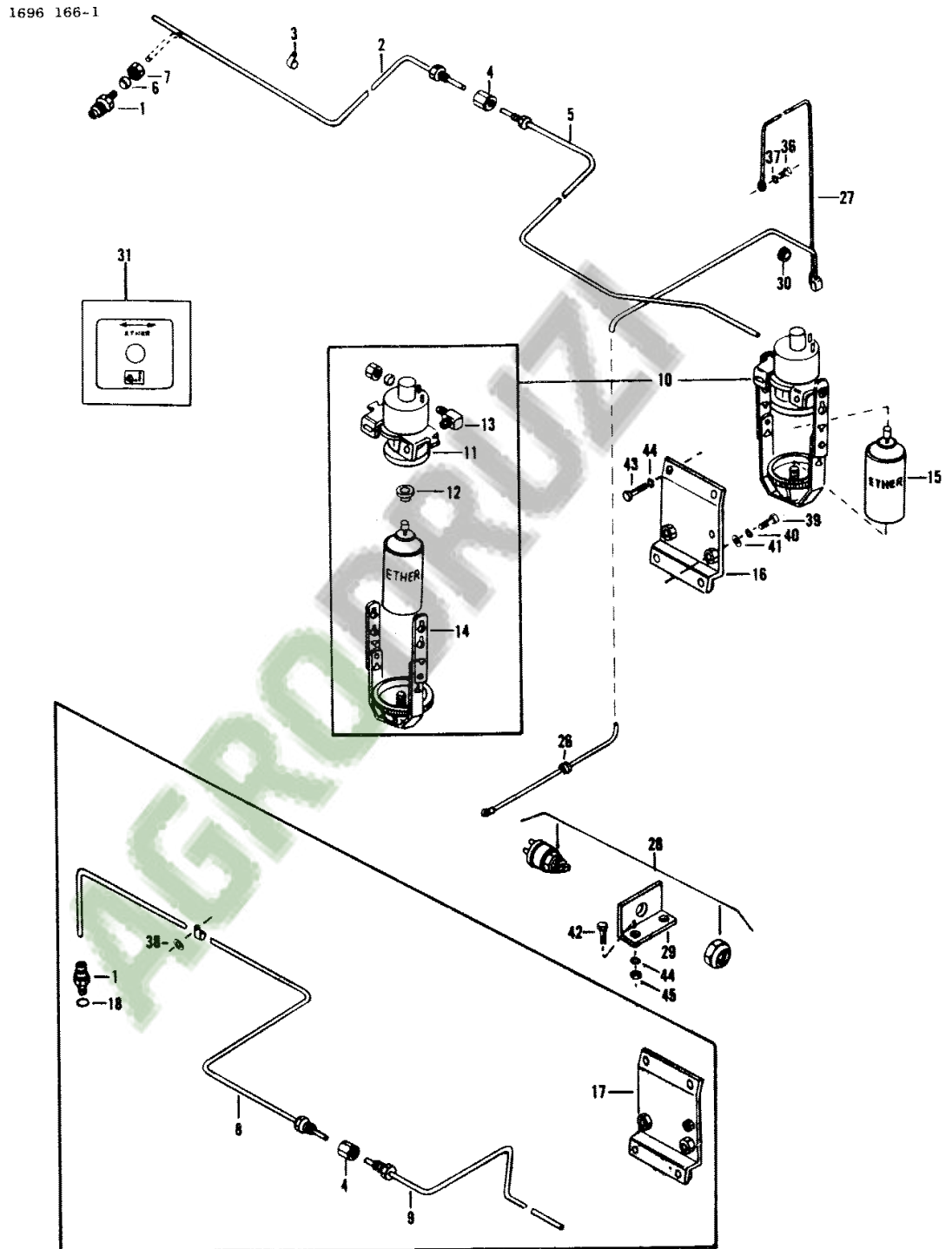


1st Print

651 331 M95 (Issue 1) 12/77

ELECTRIC ETHER STARTING KIT

587



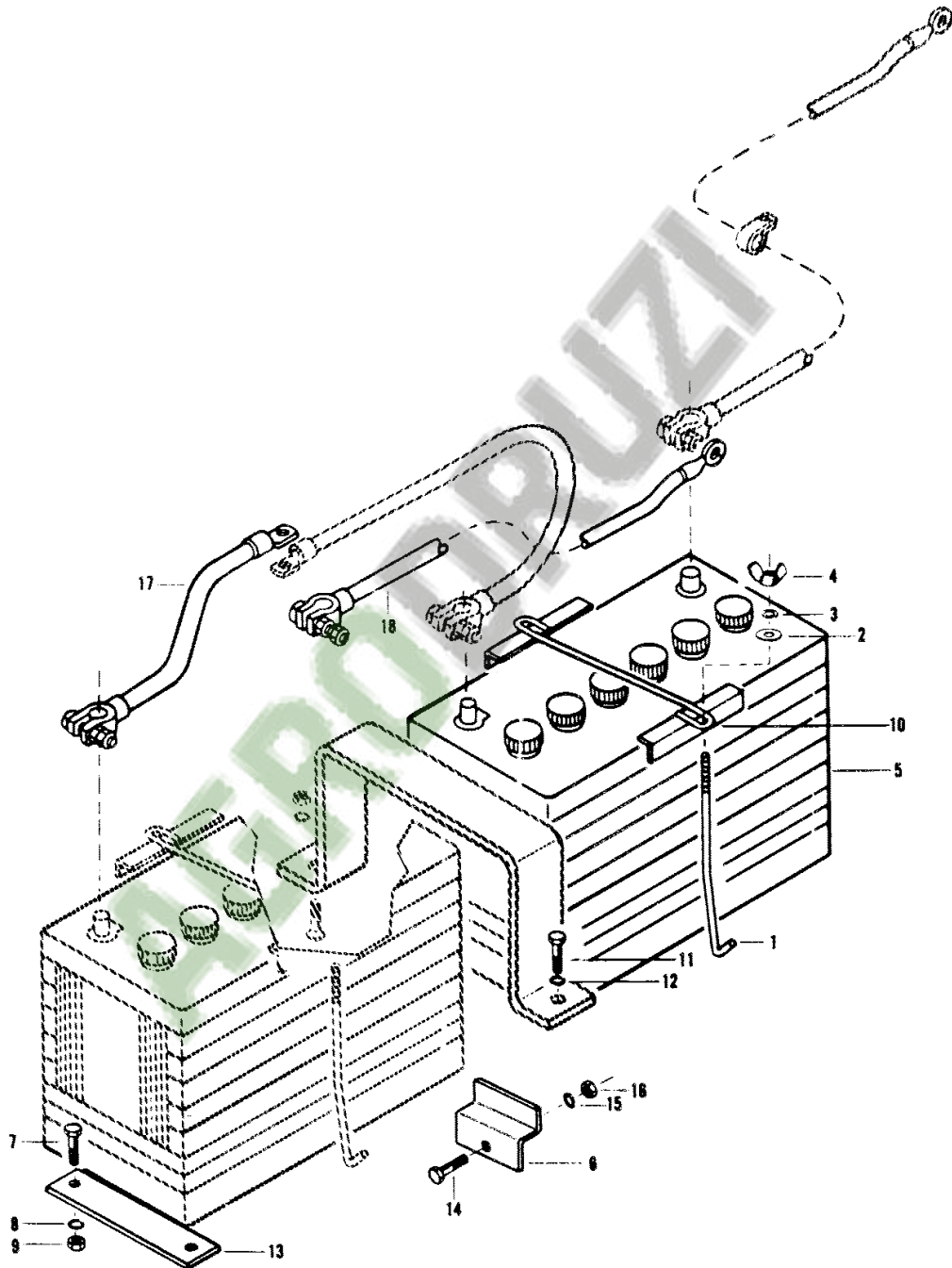
79-16

651 331 M95 (Issue 3) 21

598

COLD WEATHER START KIT

1696 167



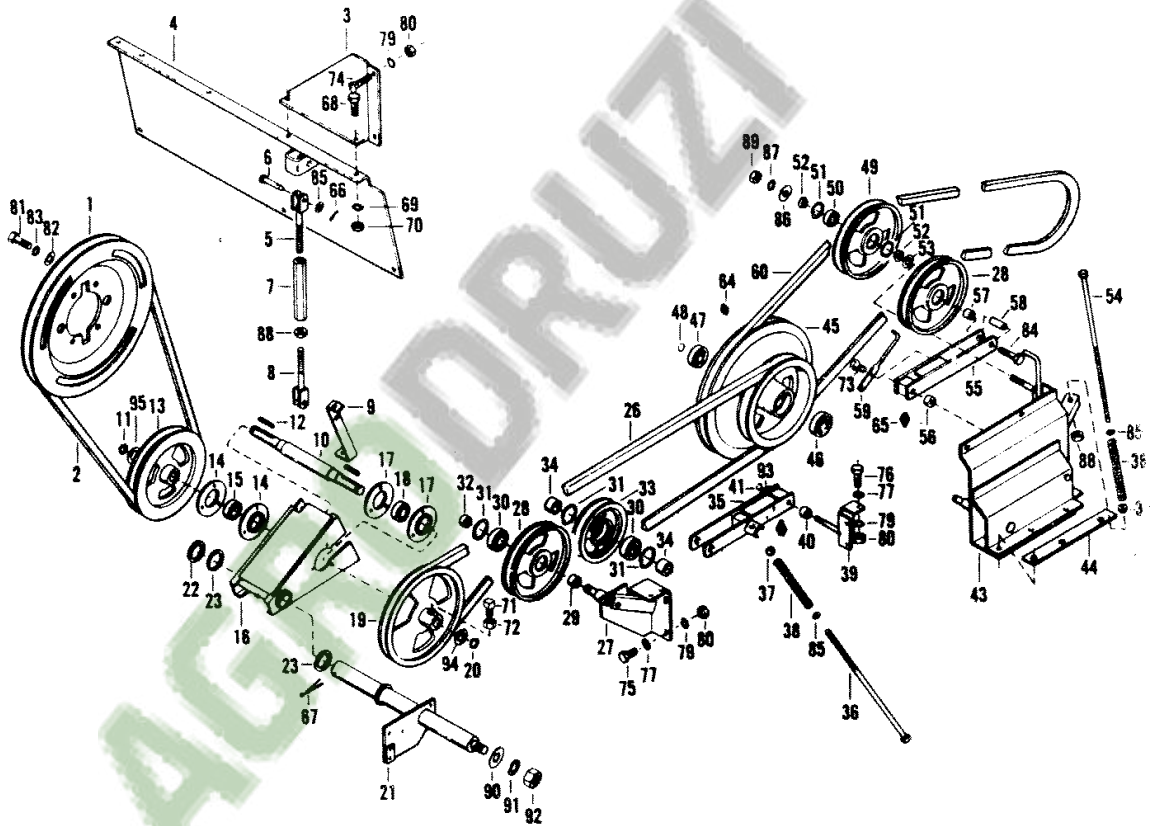
1st Print

651 331 M85 (Issue 1) 12/77

STRAW CHOPPER

599B

1696 450

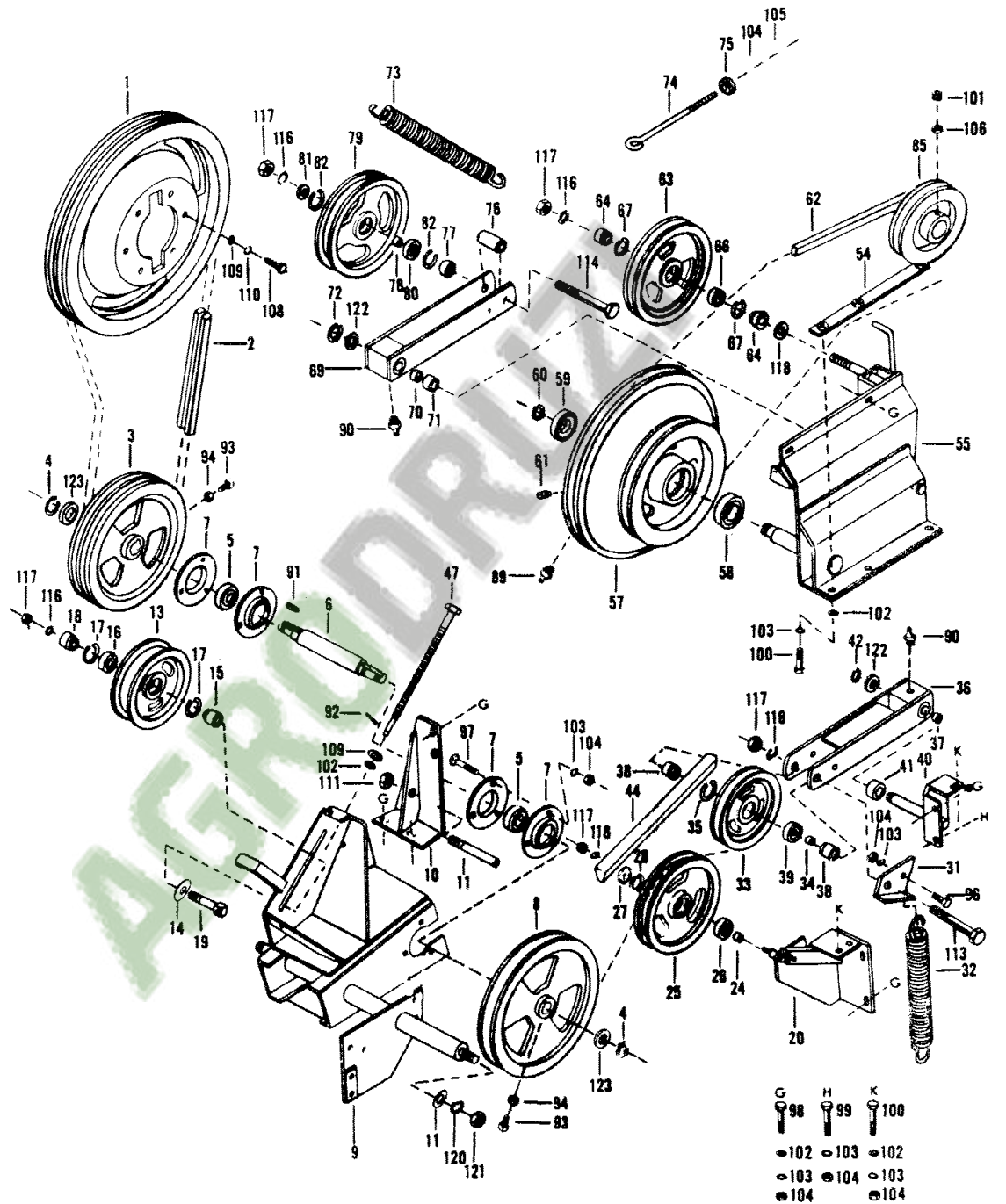


79-45

651 331 M95 (Issue 1) 5/73

DRIVE ASSEMBLY

601



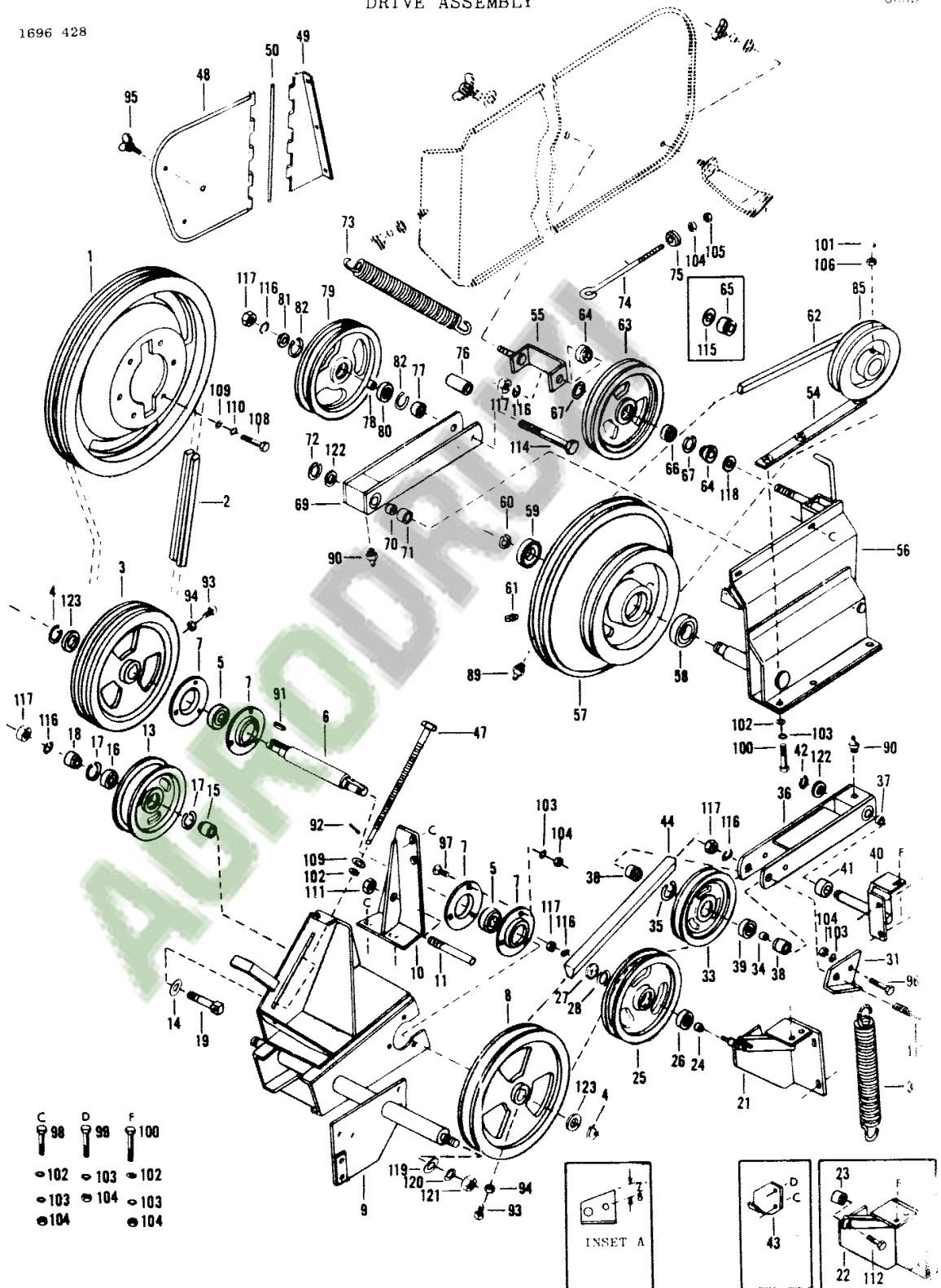
79-16

651 331 M95 (Issue 2) 2/79

DRIVE ASSEMBLY

603B

1696 428



79-16

651 331 M95 (Issue 1) 2/03

**MASSEY FERGUSON****MF 750 COMBINE, -> 1696019595 - 651331****651331****DRIVE ASSEMBLY****603B**

Item	Part Number	Qty	Description	Comments
				273789M1, (2)
				368774X1, (2)
				355204X1, (2)
				355565X1
				(D)
				From Serial or Engine Number 169608830
				(E)
				Up to Serial or Engine Number 169608830
				Repairs and replaces 272688M92
				(F)
				USED EARLY PRODUCTION TRACTORS.
				(G)
				From Serial or Engine Number 169604597-169609674
				(H)
				From Serial or Engine Number 169604597
				(J)
				Up to Serial or Engine Number 169604597
				(K)
				PLUG IS TO BE REMOVED AND REPLACE W/365572X1 GREAS E FITTING
				(L)
				Up to Serial or Engine Number (1) 169608830

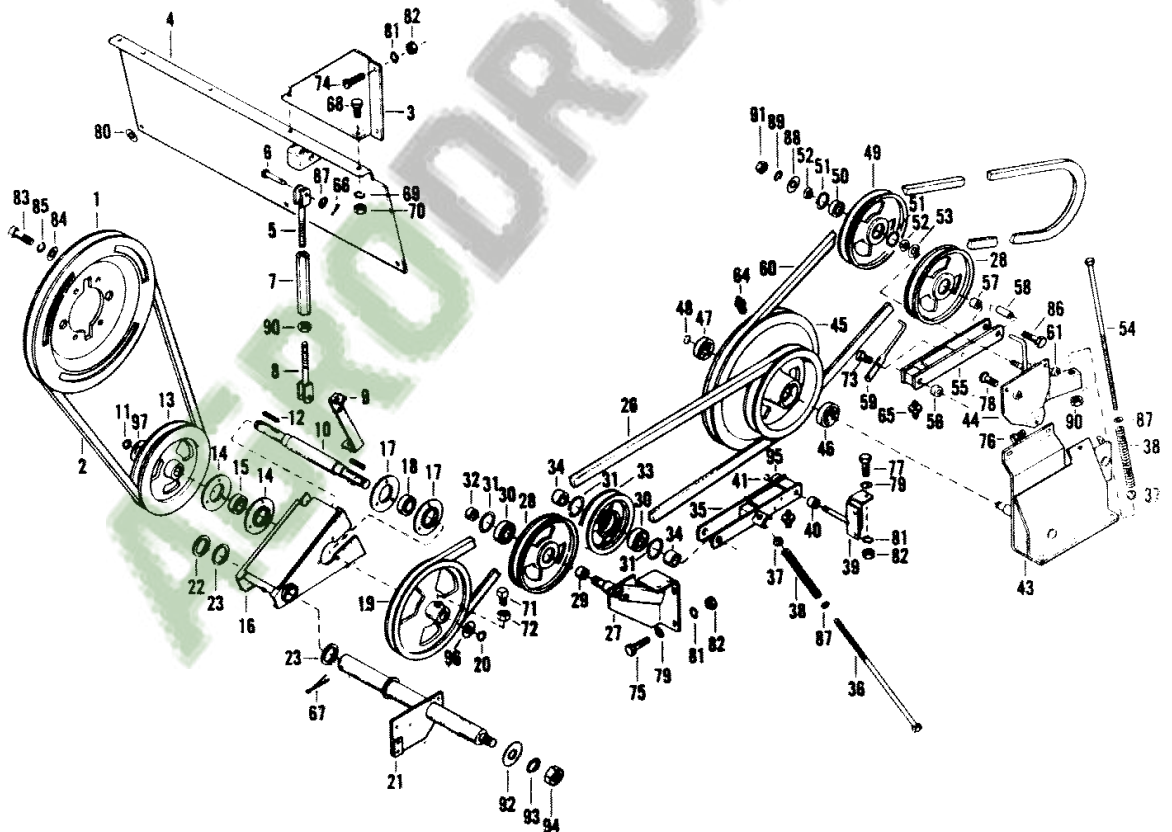
AGRO DRUZIN



STRAW CHOPPER

603F

1696 451



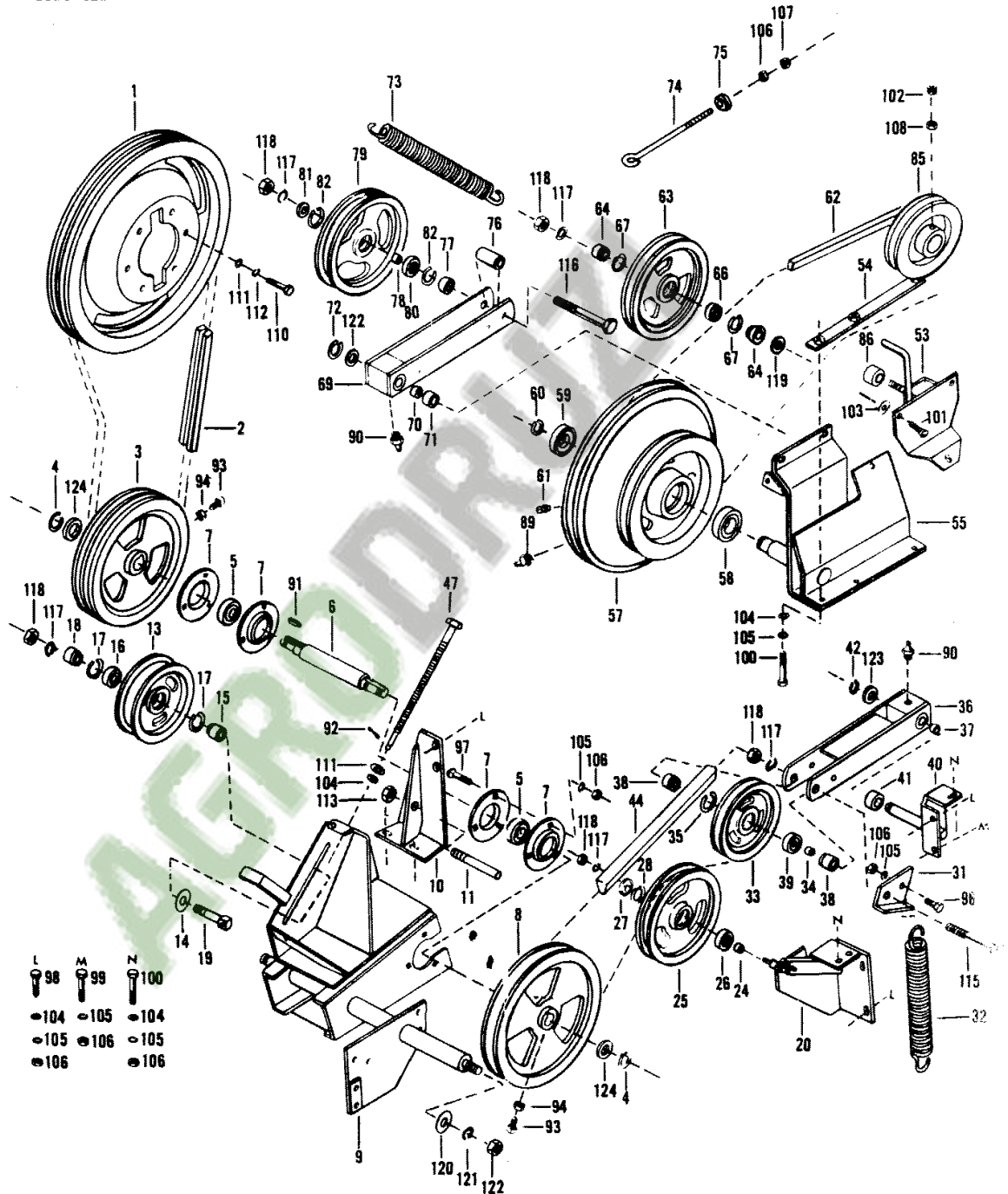
79-45

651 331 M95 (Issue 2) 5/71

DRIVE ASSEMBLY

603K

1696 429



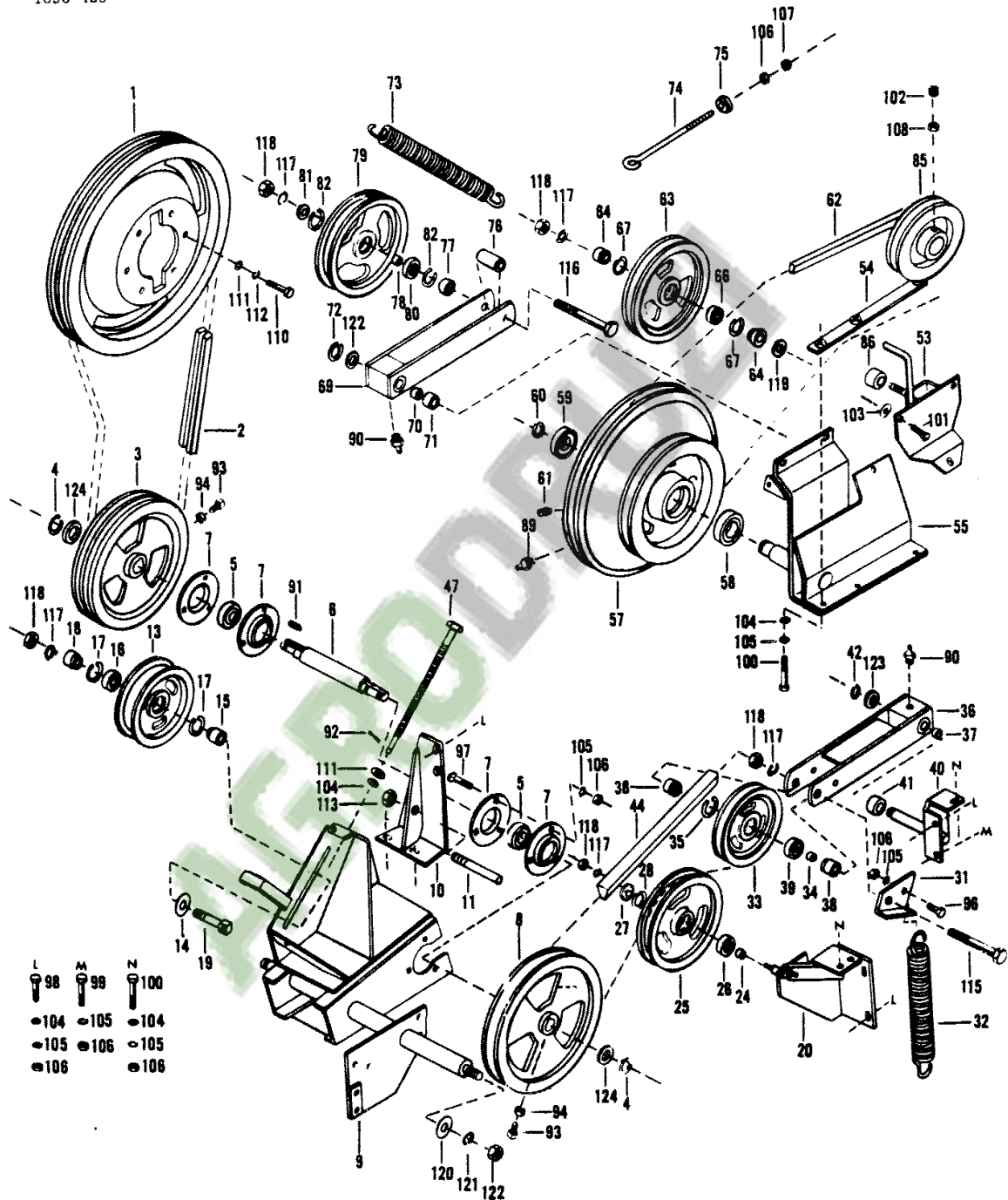
79-45

651 331 M95 (Issue 1) 5/79

603L

DRIVE ASSEMBLY

1696 429



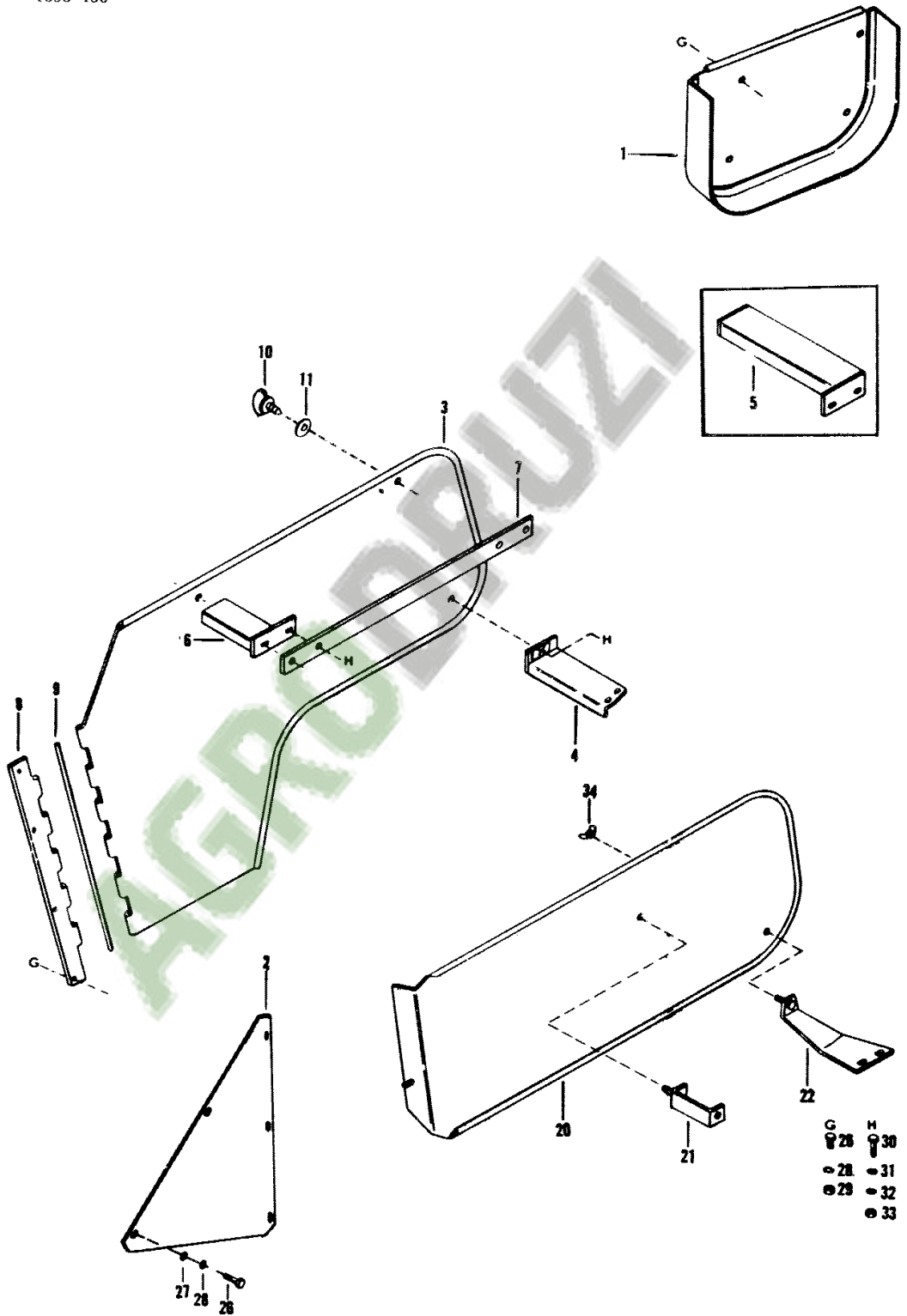
79-45

651 331 M95 (Issue 1) 5/79

REAR DRIVE SHIELDS

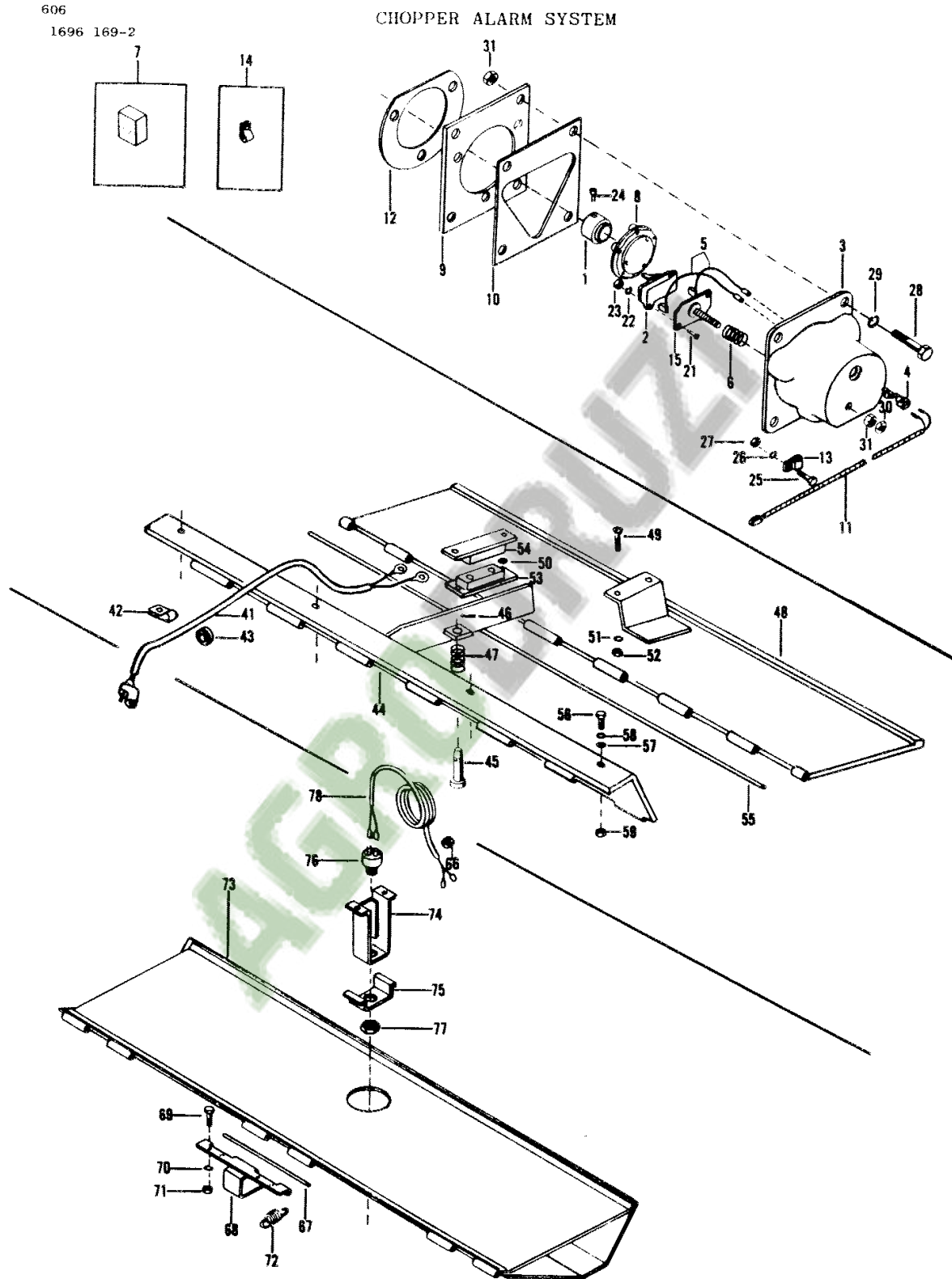
605

1696 430



79-16

651 331 M95 (Issue 2) 2/0



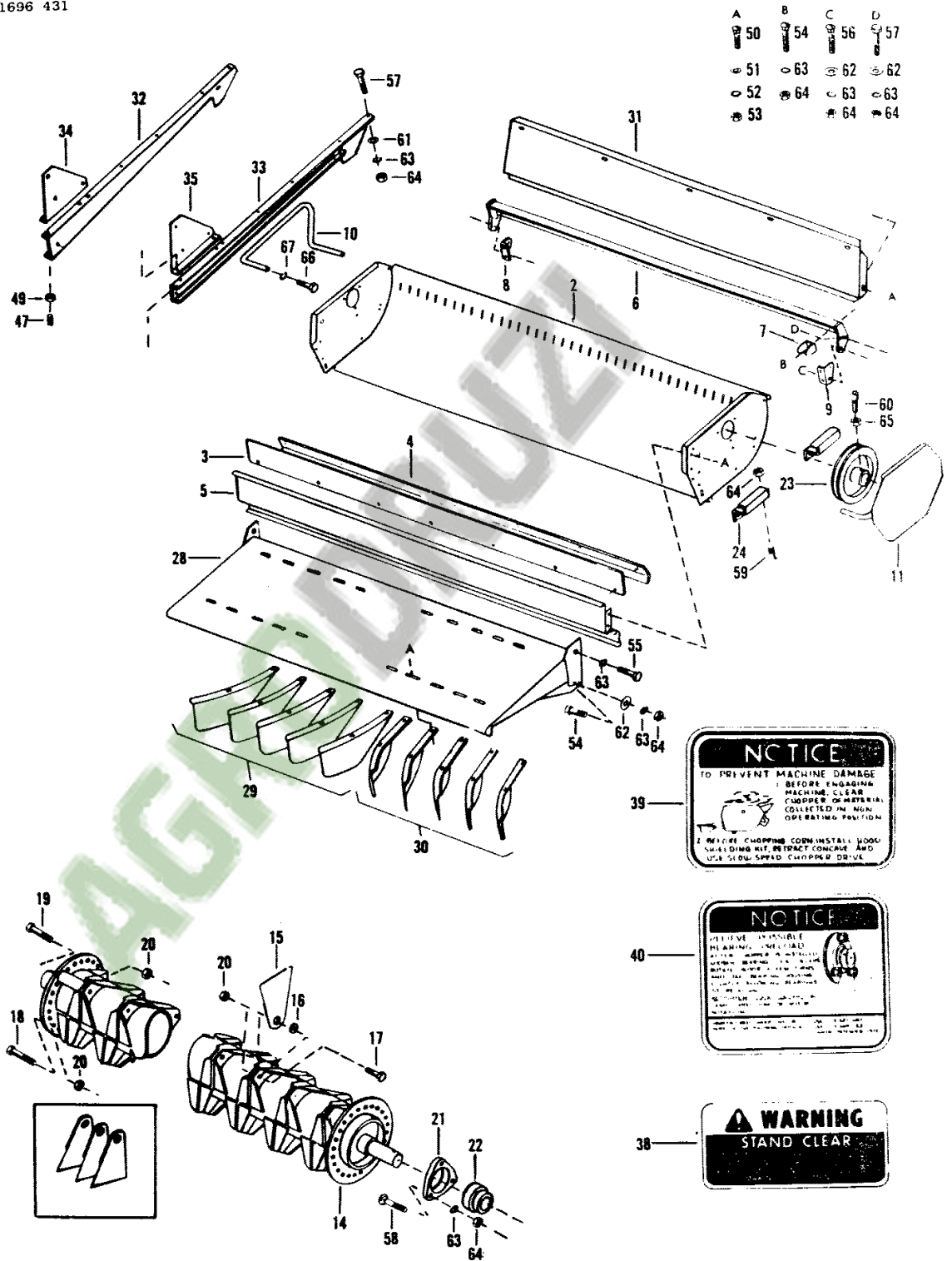
79-16

651 331 MB5 (Issue 2) 2/79

1696 431

HOUSING, ADAPTER AND ROTOR

607B

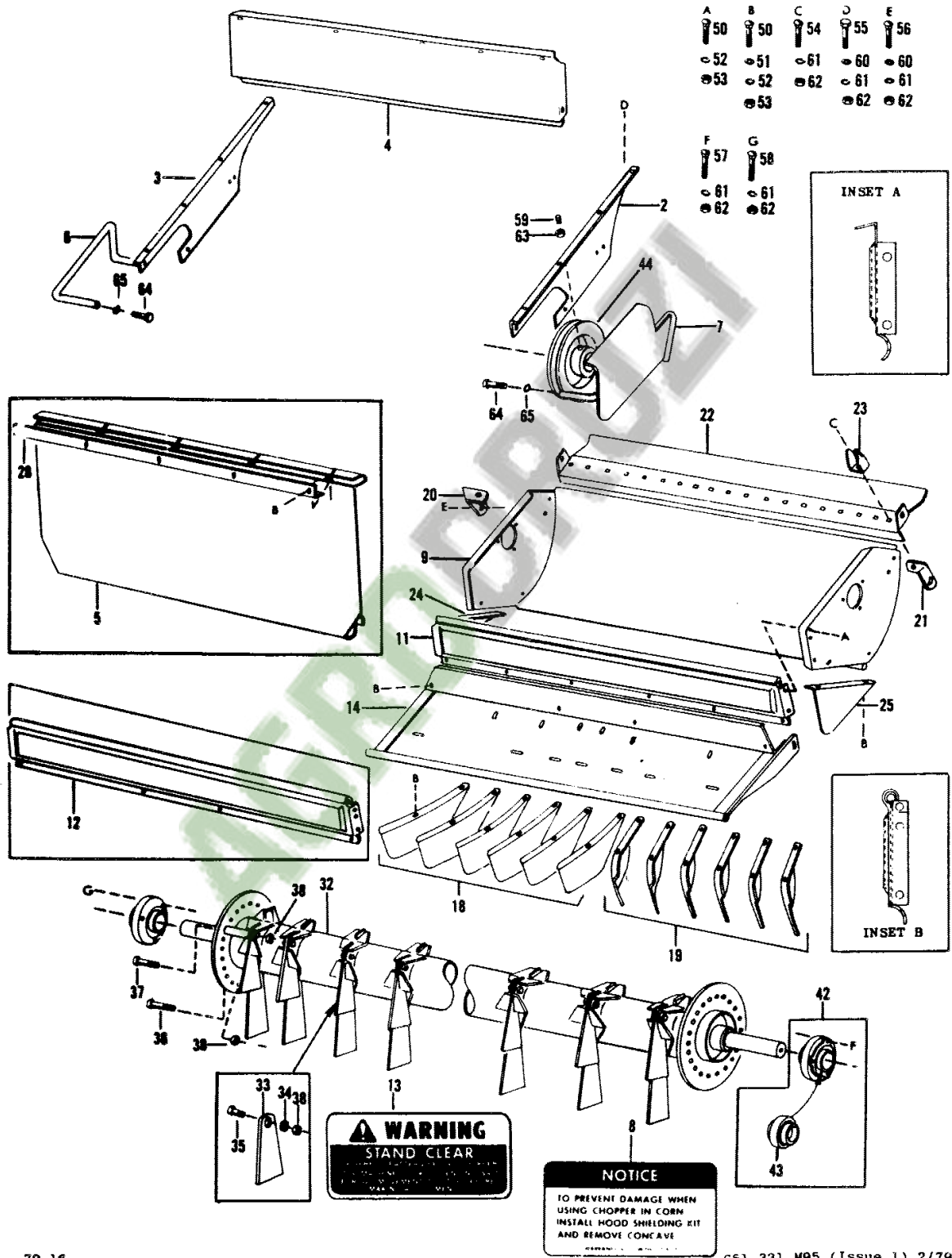


79-16

651 331 M95 (Issue 1) 2/77

607C  
1696 432

HOUSING, ADAPTER AND ROTOR



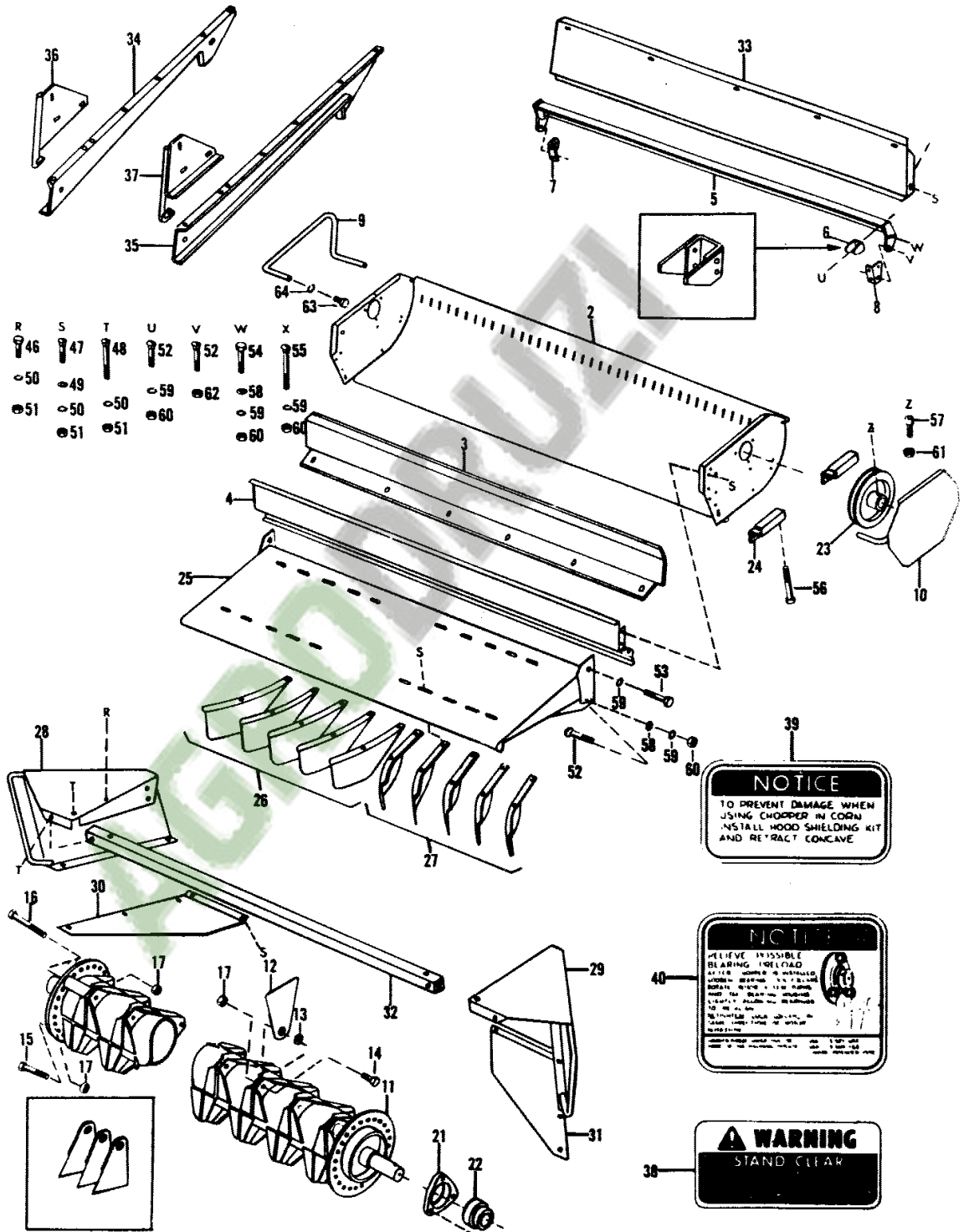
79-16

651 331 M95 (Issue 1) 2/79

HOUSING, ADAPTER AND ROTOR

607F

1696 433



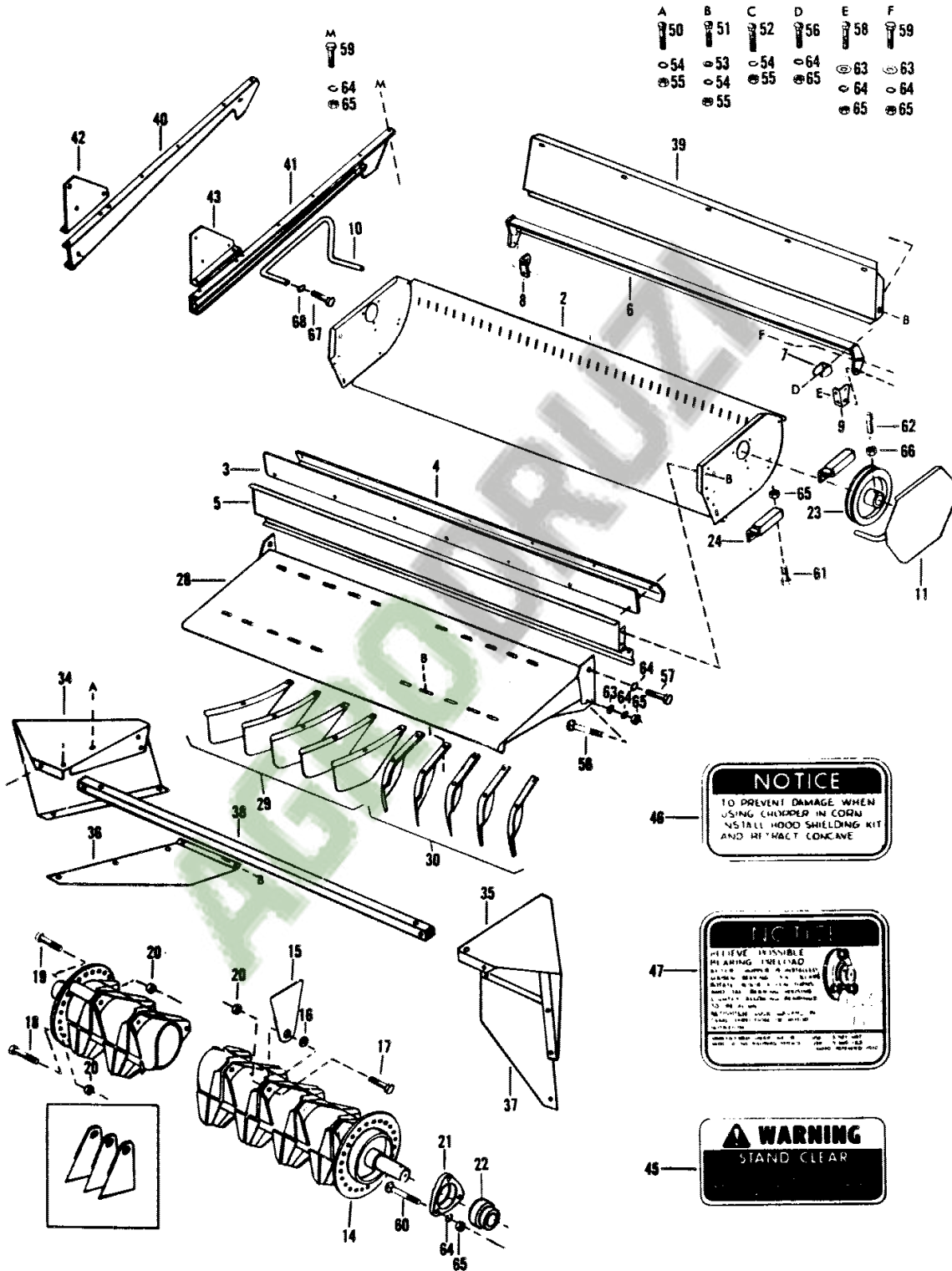
79-16

651 331 M95 (Issue 1) 2/76



807G  
1696 434

STRAW CHOPPER

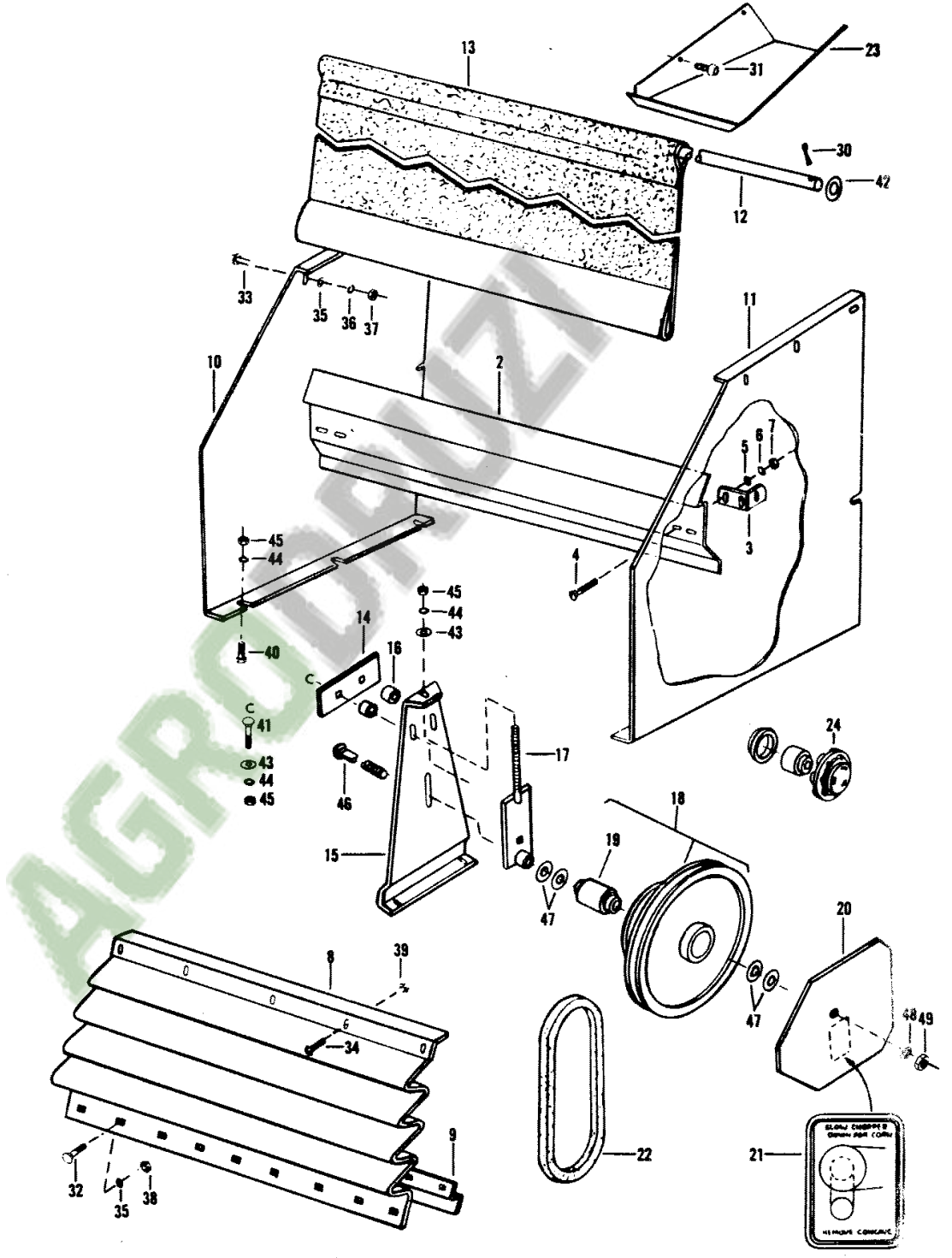


**NOTICE**  
TO PREVENT DAMAGE WHEN USING CHOPPER IN CORN INSTALL HOOD SHIELDING KIT AND RETRACT CONCAVE

**NOTICE**  
BEFORE VISIBLY REPAIRING FOREWARD...  
1. ALWAYS WEAR YOUR SAFETY BELT...  
2. ALWAYS WEAR YOUR SAFETY GLASSES...  
3. ALWAYS WEAR YOUR SAFETY SHOES...  
4. ALWAYS WEAR YOUR SAFETY HAT...  
5. ALWAYS WEAR YOUR SAFETY VEST...  
6. ALWAYS WEAR YOUR SAFETY GLOVES...  
7. ALWAYS WEAR YOUR SAFETY BOOTS...  
8. ALWAYS WEAR YOUR SAFETY CAP...  
9. ALWAYS WEAR YOUR SAFETY Goggles...  
10. ALWAYS WEAR YOUR SAFETY MASK...

**WARNING**  
STAND CLEAR

607K  
1696019595



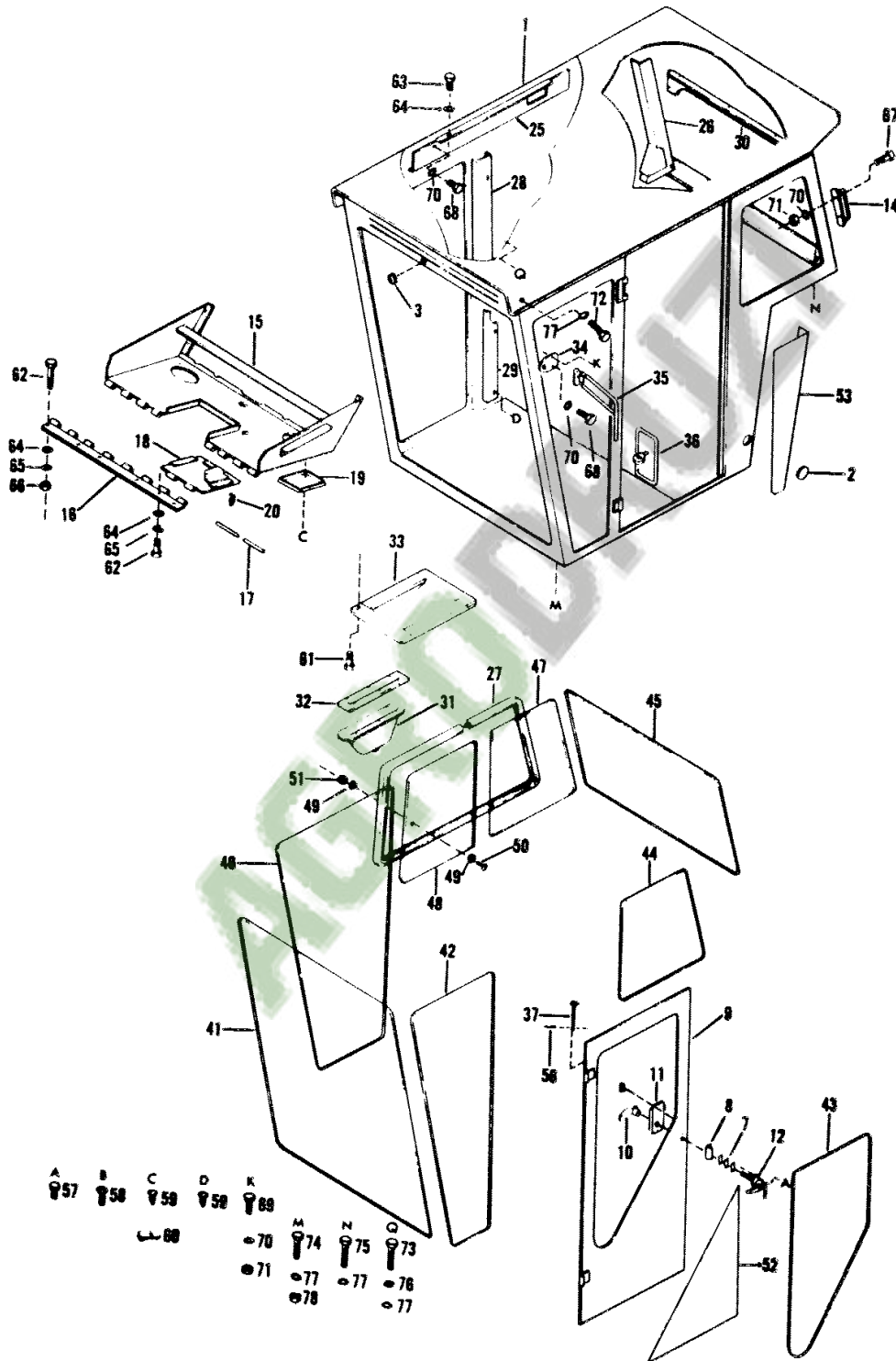
79-16

651 331 M95 (Issue 1) 2/79

607L

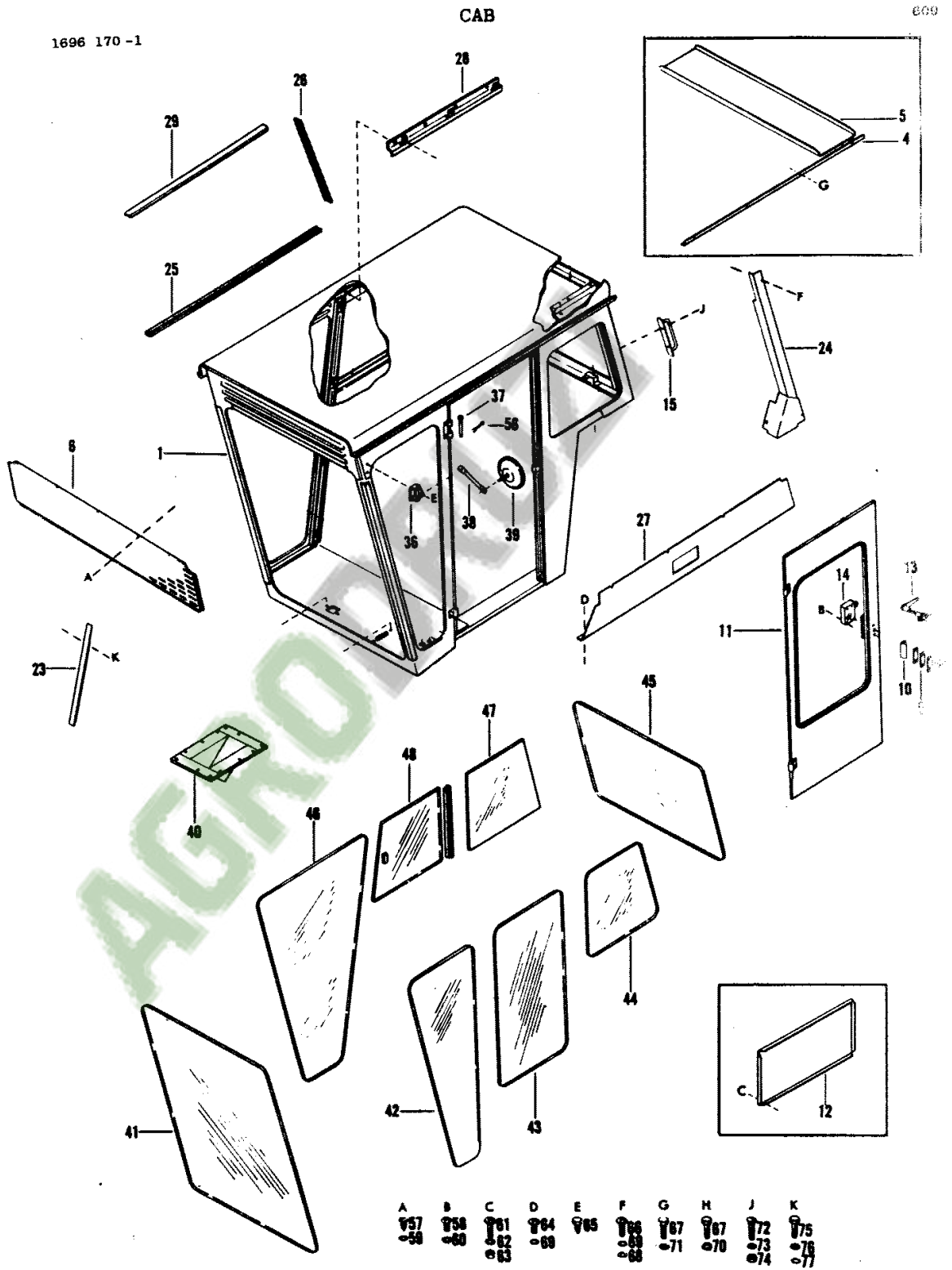
1696 436

CAB



79-16

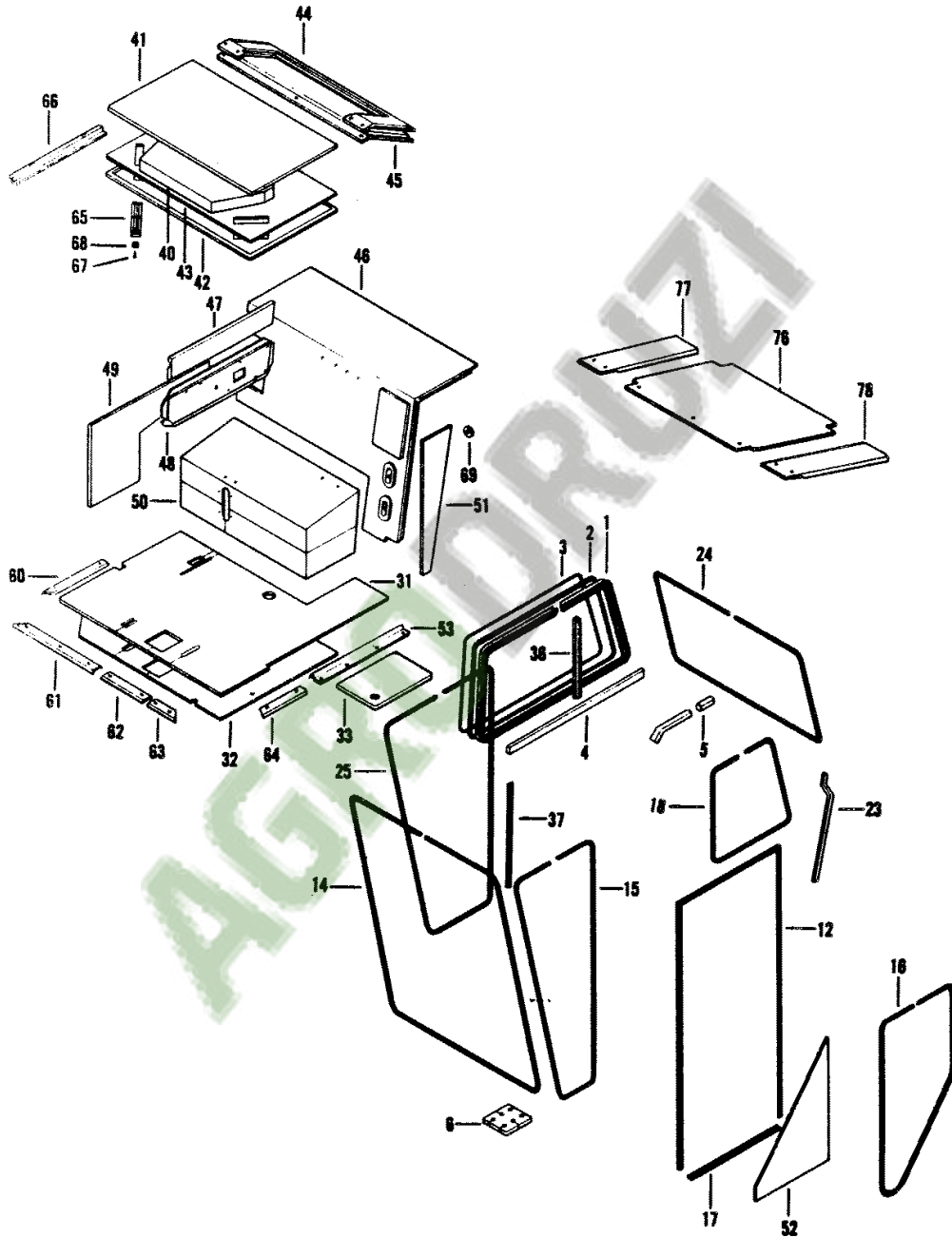
651 331 M95 (Issue 1) 2/79



609A

CAB

1696 437 -1

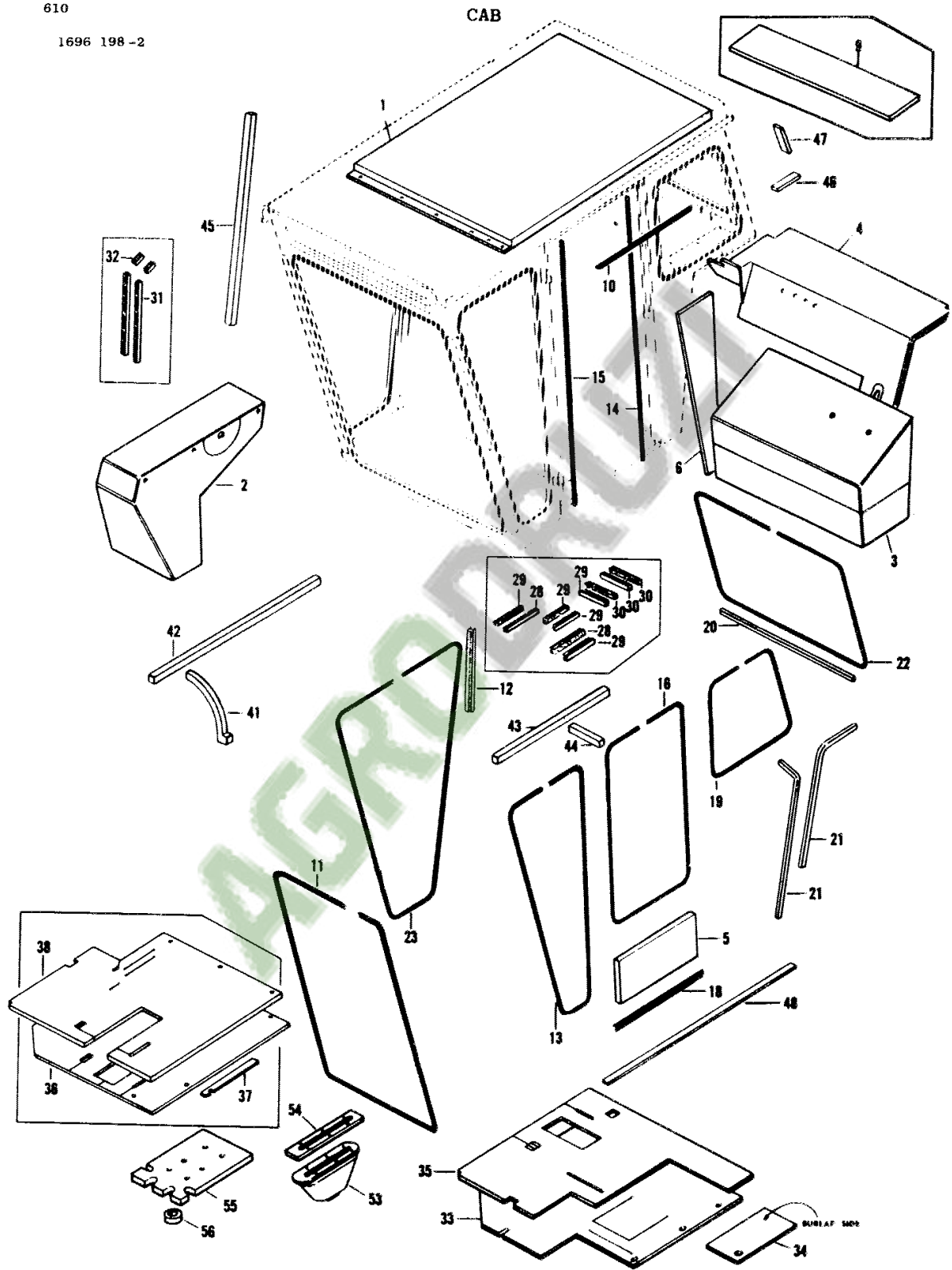


79-45

651 331 M95 (Issue 2) 5/79

610

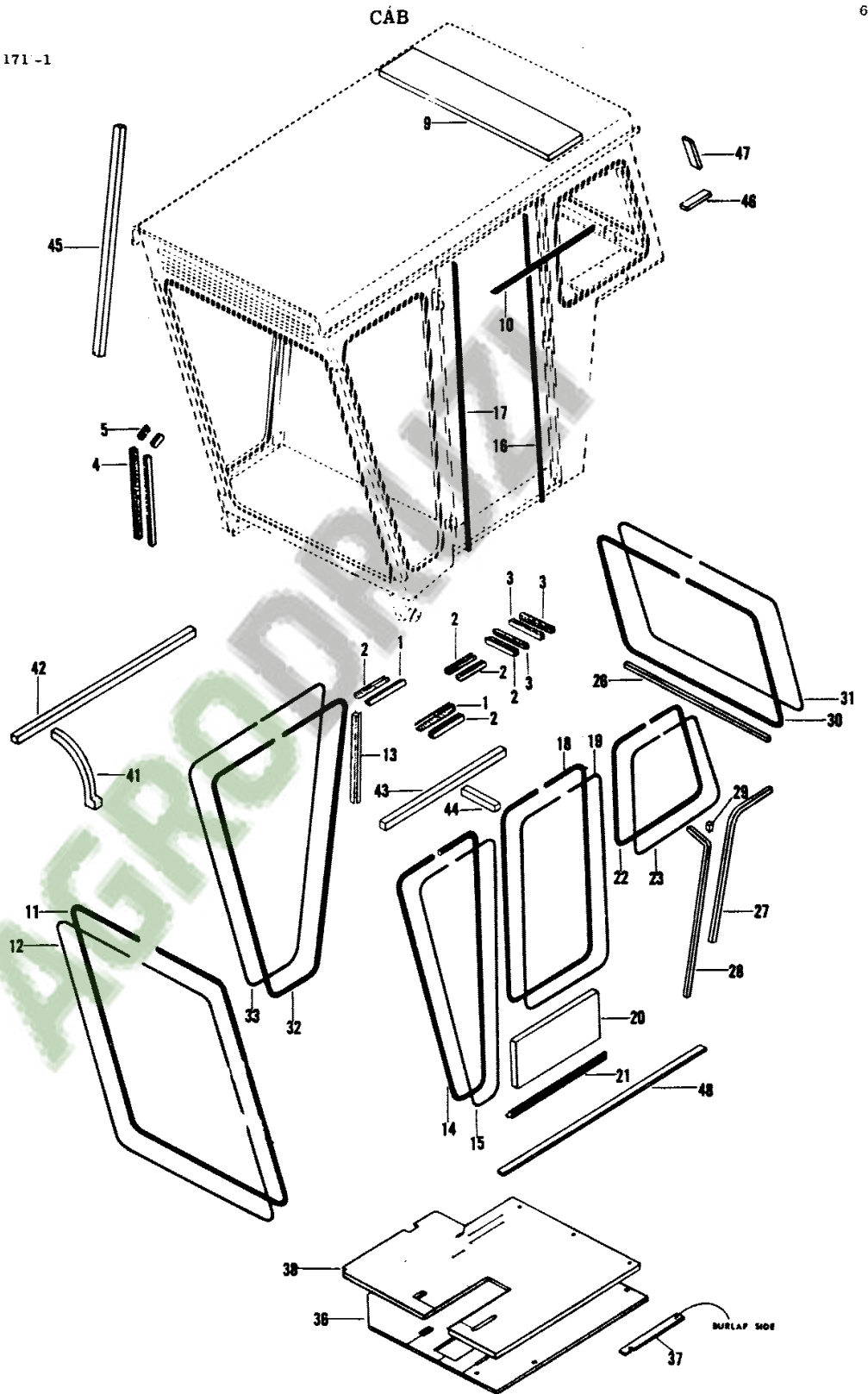
1696 198-2



78-65

651 331 M05 (Изв. 2) 8/78

1696 171-1

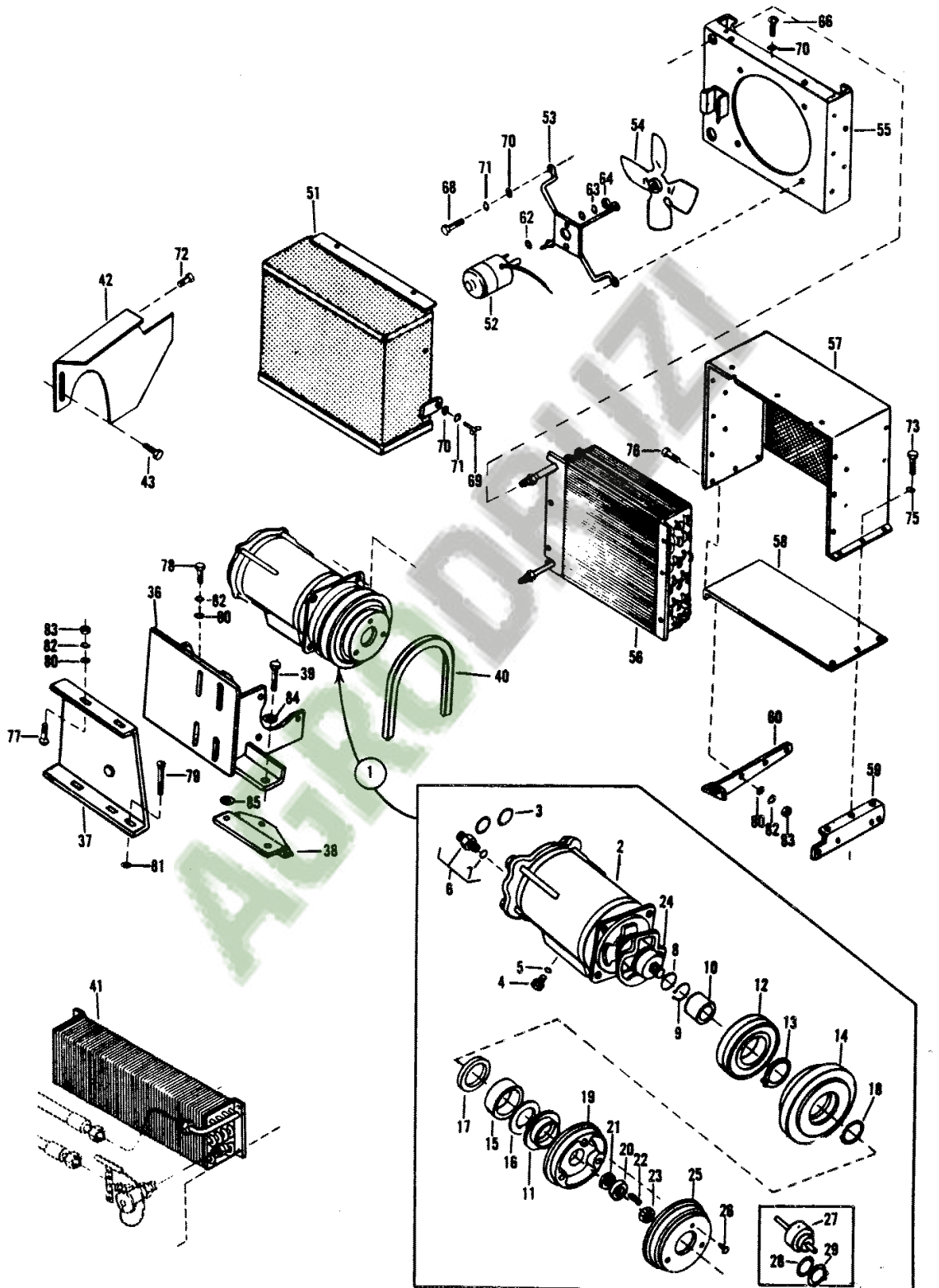


78-65

651 331 M05 (Issue 2) 8/78

613A

COMPRESSOR



79-16

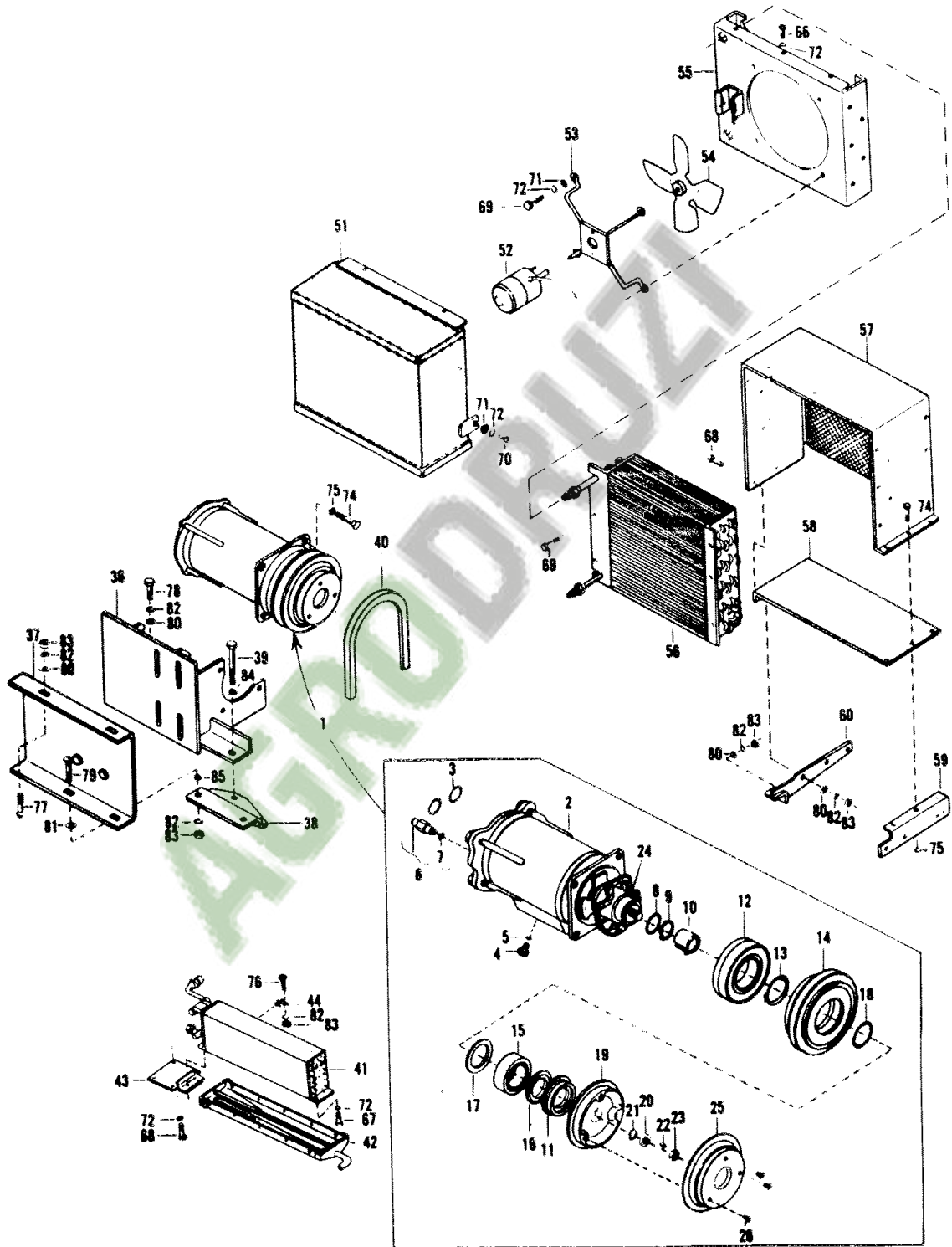
651 331 M05 (Issue 1) 2/79



614

COMPRESSOR

1696 323



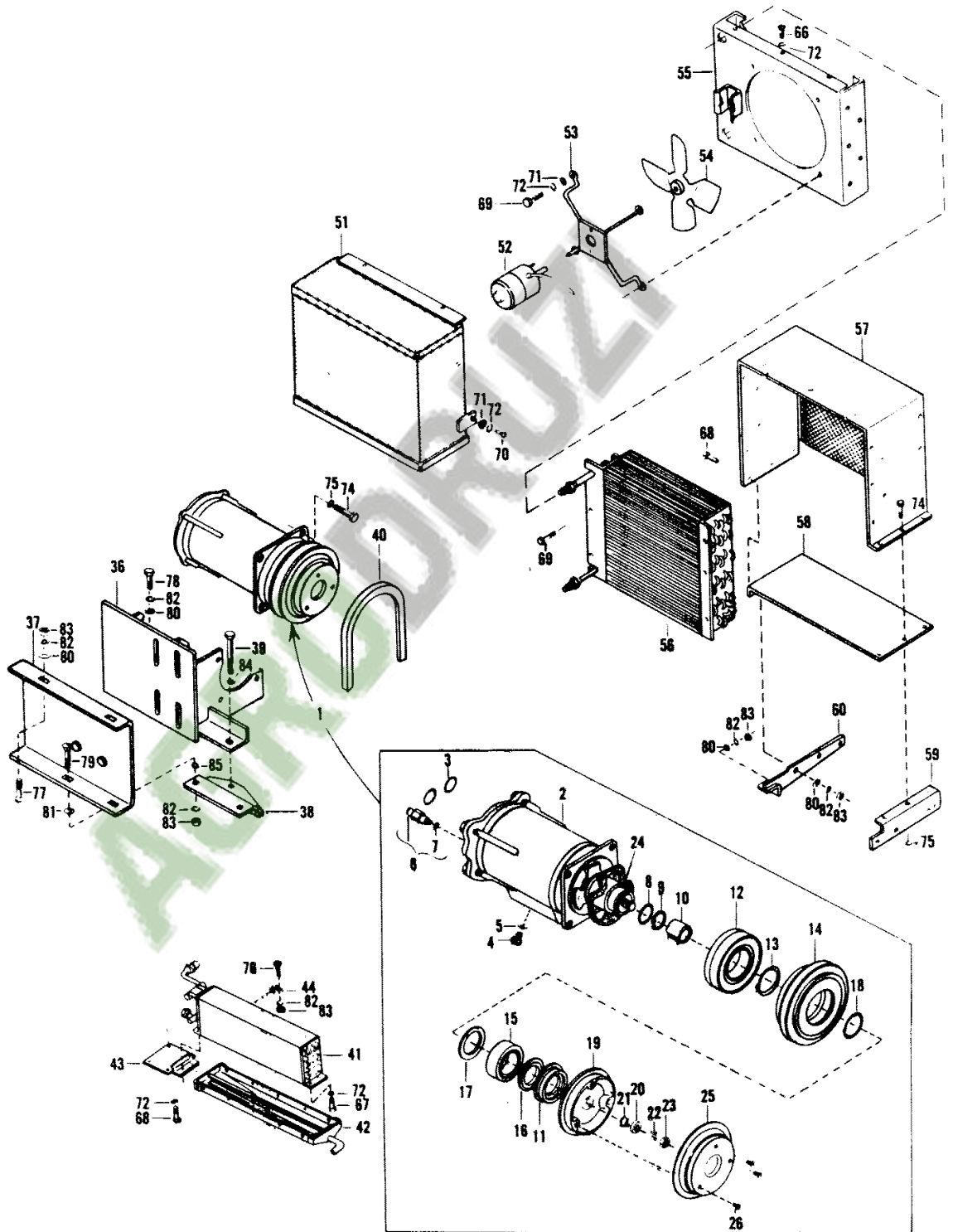
1st Print

651 331 M95 (Issue 1) 12/77

COMPRESSOR, EVAPORATOR, CONDENSOR

617

1696 286



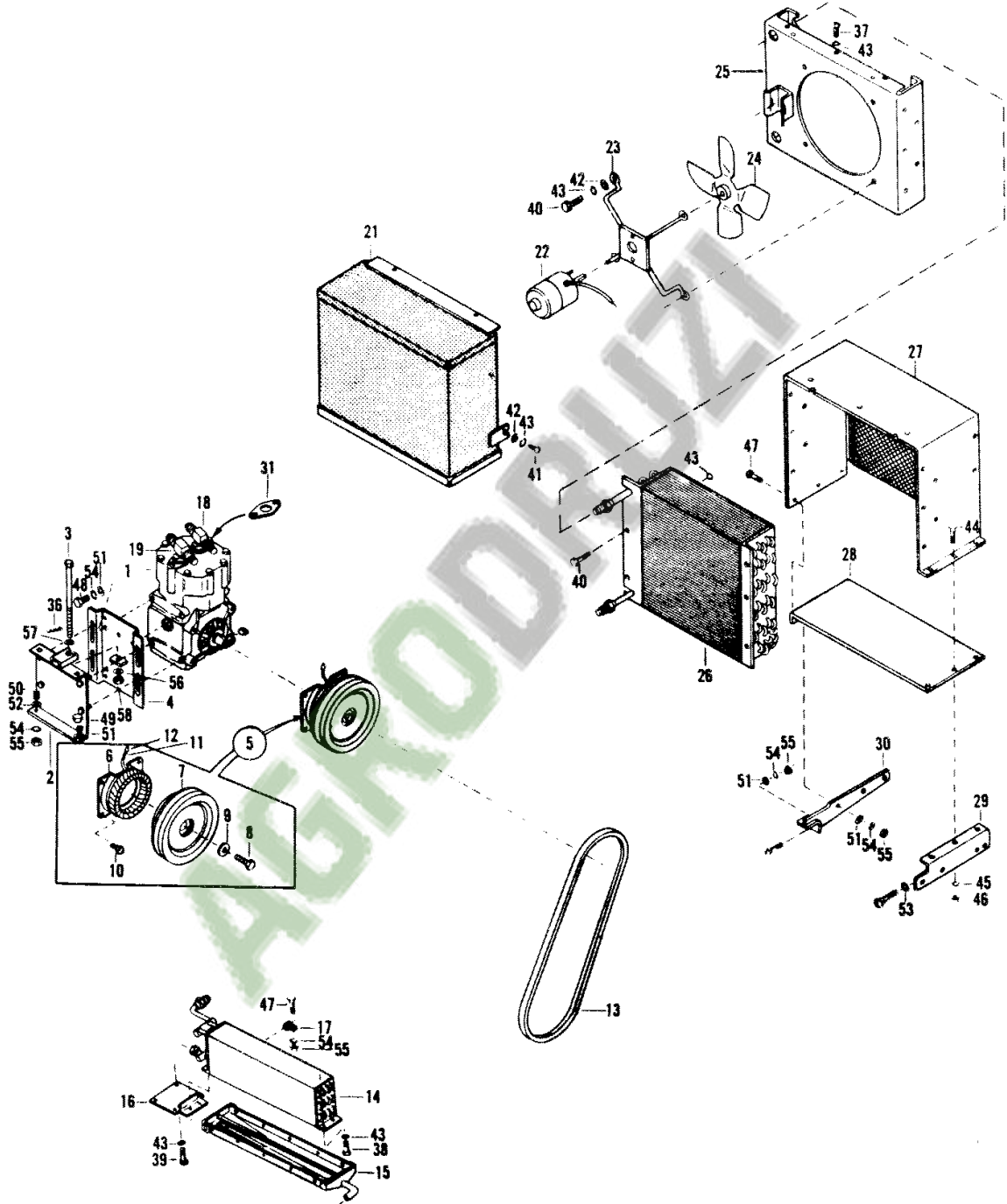
1st Print

651 331 M94 (Issue 1) 10/76

618

COMPRESSOR, EVAPORATOR, CONDENSER

1696 172 -2



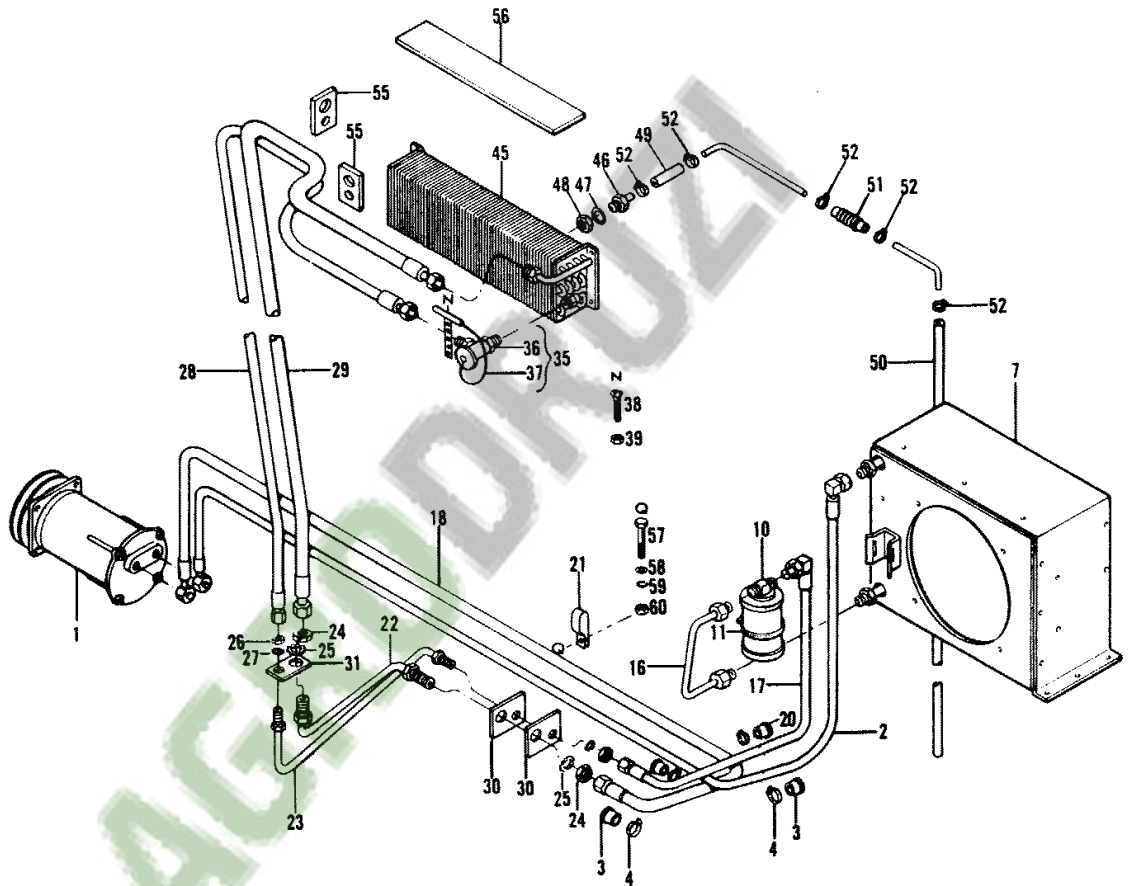
1st Print

651 331 M95 (Issue 1) 12/77

AIR CONDITIONING LINES

619B

1696 439



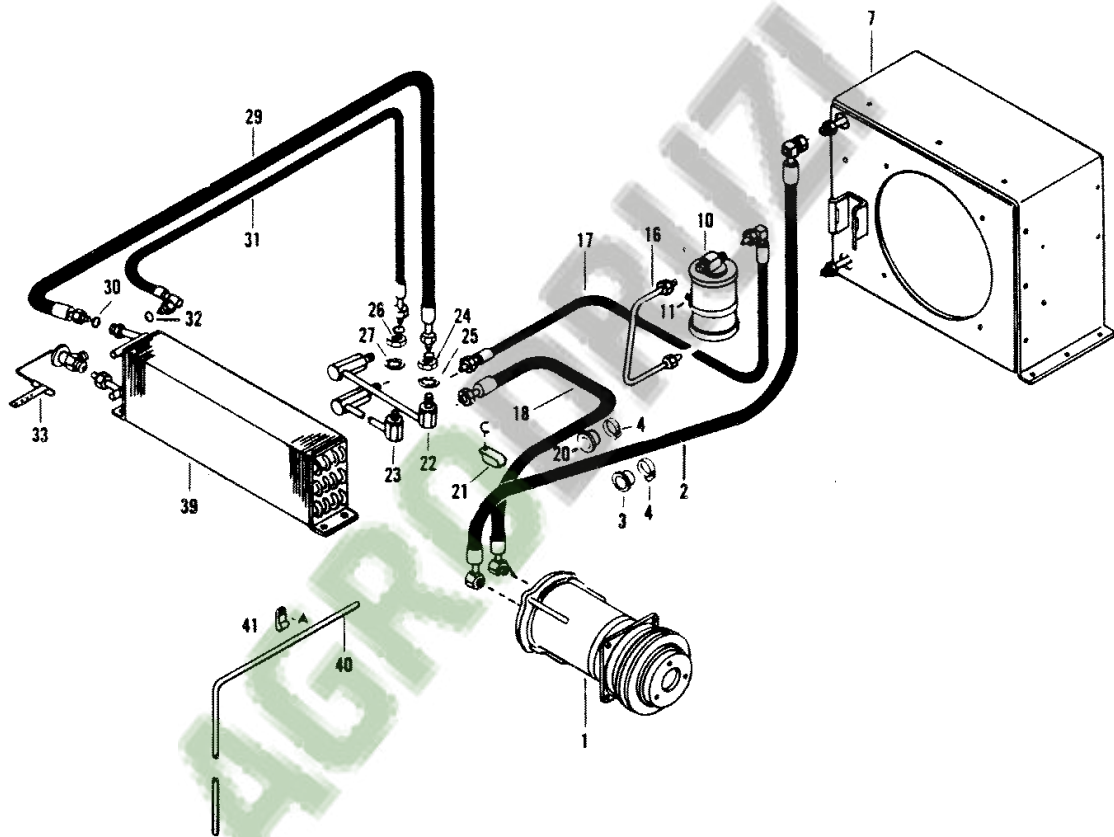
79-16

651 331 M95 (Issue 2) 2/79

619C

AIR CONDITIONING LINES

1696 370



- |                              |  |
|------------------------------|--|
| <p>A</p> <p>46</p> <p>47</p> | <p>C</p> <p>49</p> <p>50</p> <p>51</p> <p>52</p> |
|------------------------------|--|

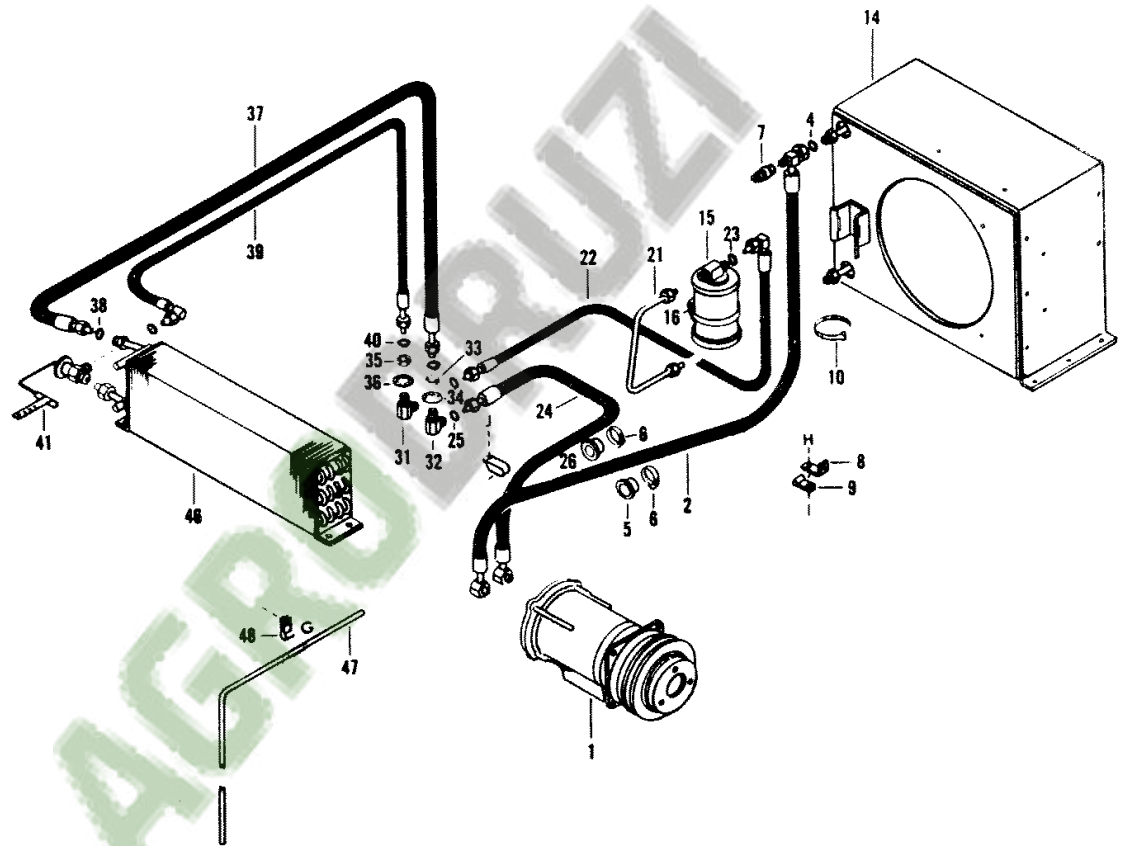
78-85

651 331 M95 (Issue 1) 8/78

AIR CONDITIONING LINES

621

1696 295-1



<b>G</b>	<b>H</b>	<b>J</b>
56	58	59
57	60	60
	61	61
	62	62

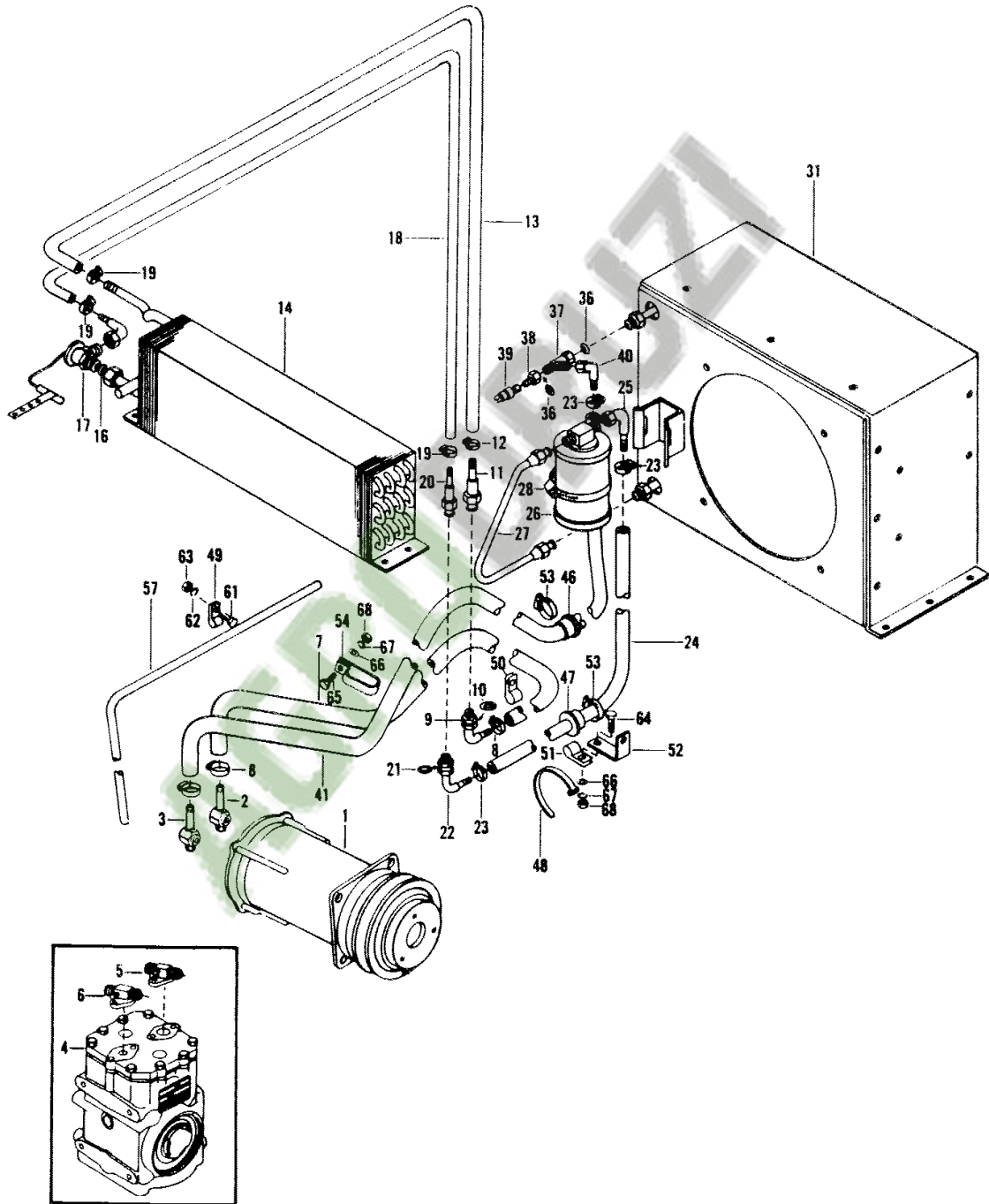
78-65

651 331 M95 (Issue 2) 8/7

622

AIR CONDITIONING LINES

1696 243



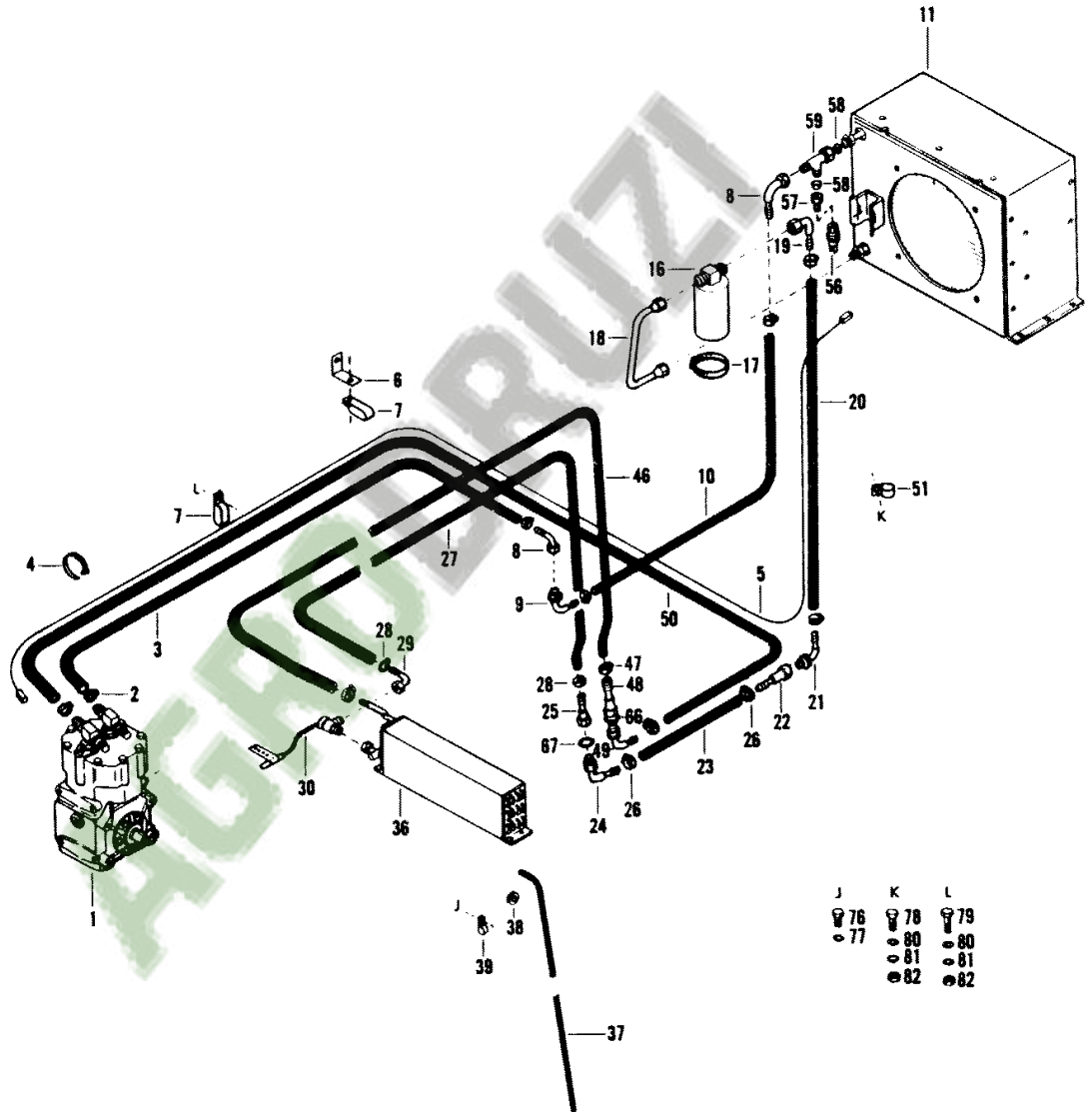
1st Print

651 331 M95 (Issue 1) 12/77

AIR CONDITIONING LINES

623B

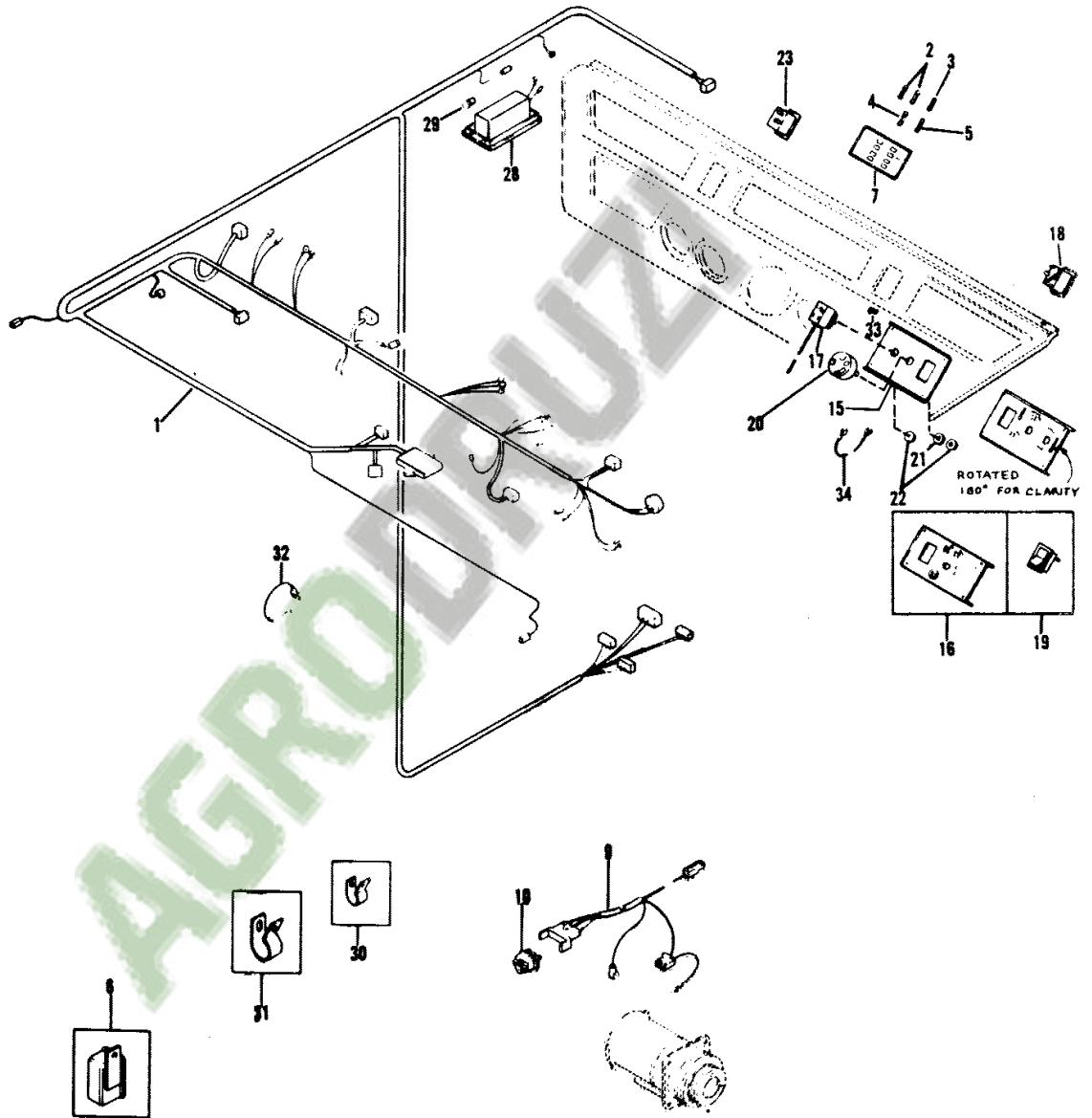
1696 173-1



79-16

651 331 M95 (Issue 1) 2/1

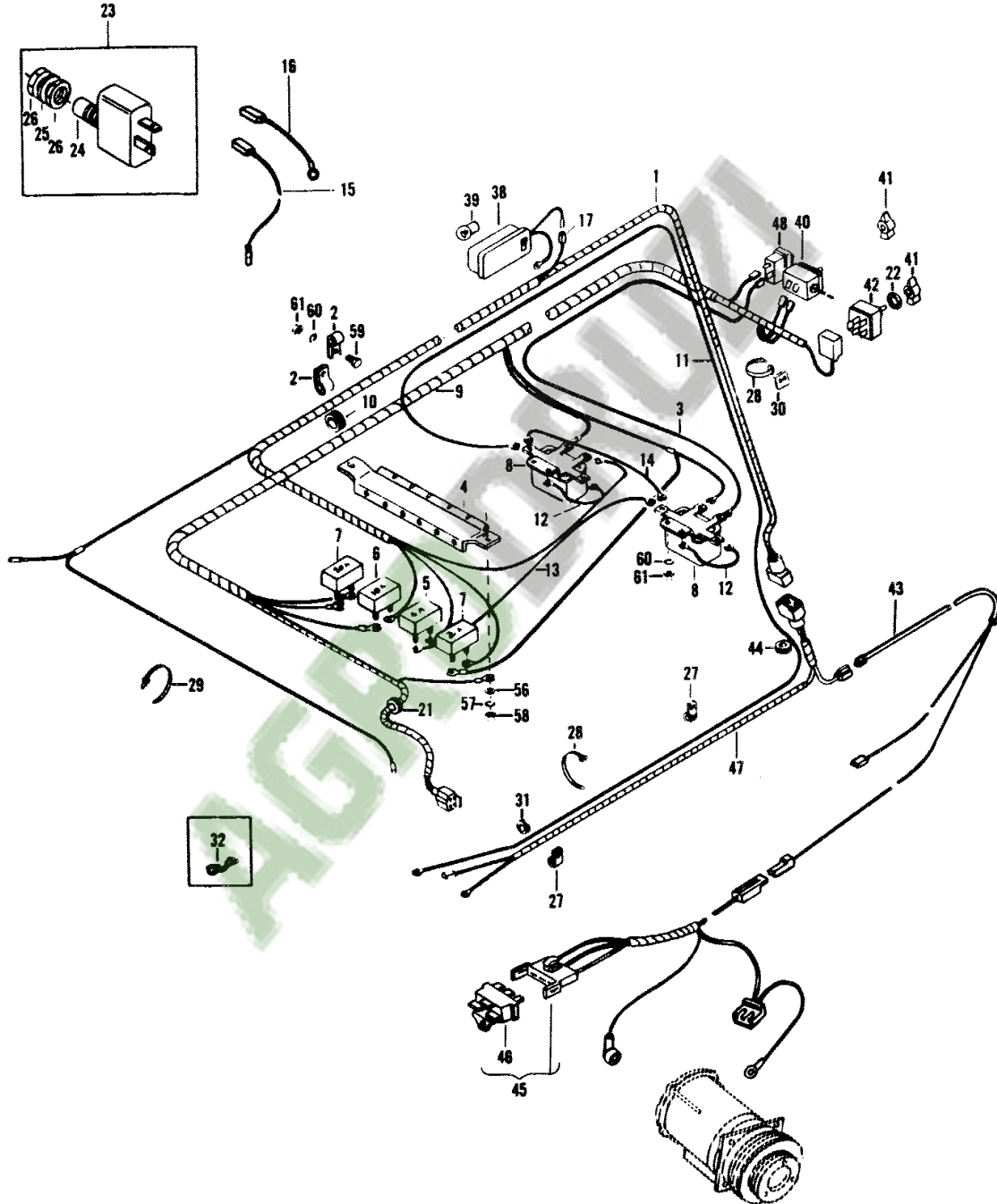




625A

CAB ELECTRICAL WIRING

1696 371



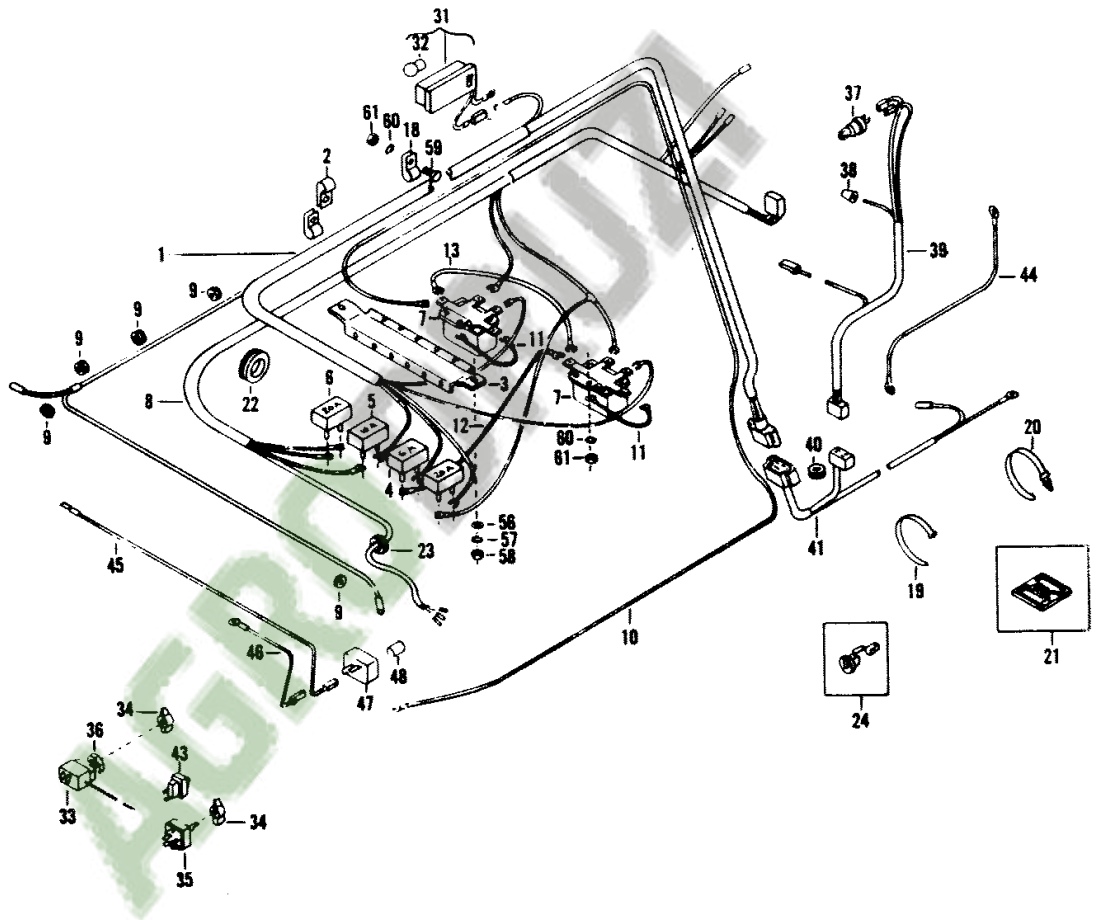
78-85

651 331 M95 (Issue 1) 8/78

CAB ELECTRICAL WIRING

6251

1696 372



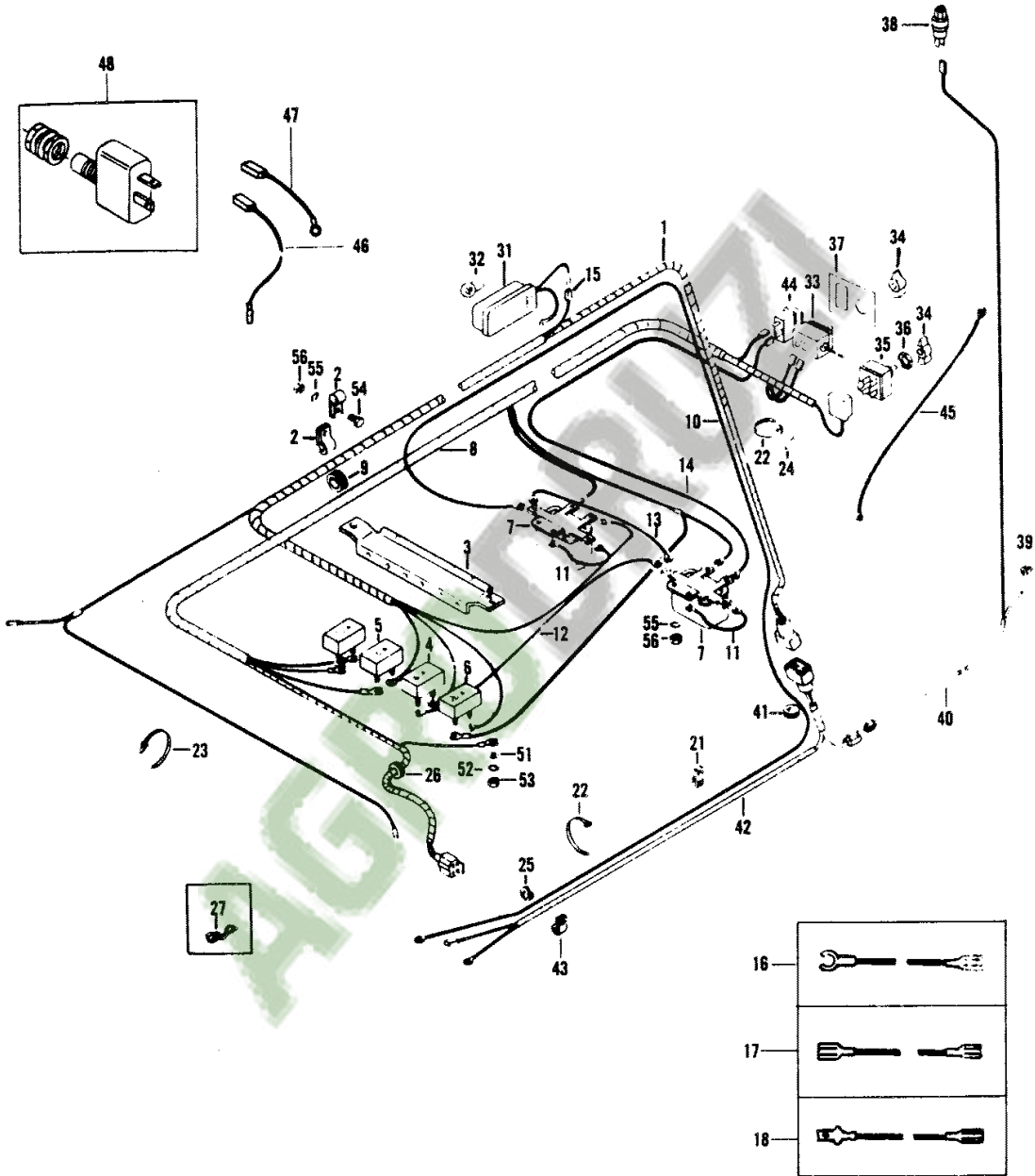
78-85

651 331 M95 (Issue 1) 5

626

CAB ELECTRICAL WIRING

1696 199-2



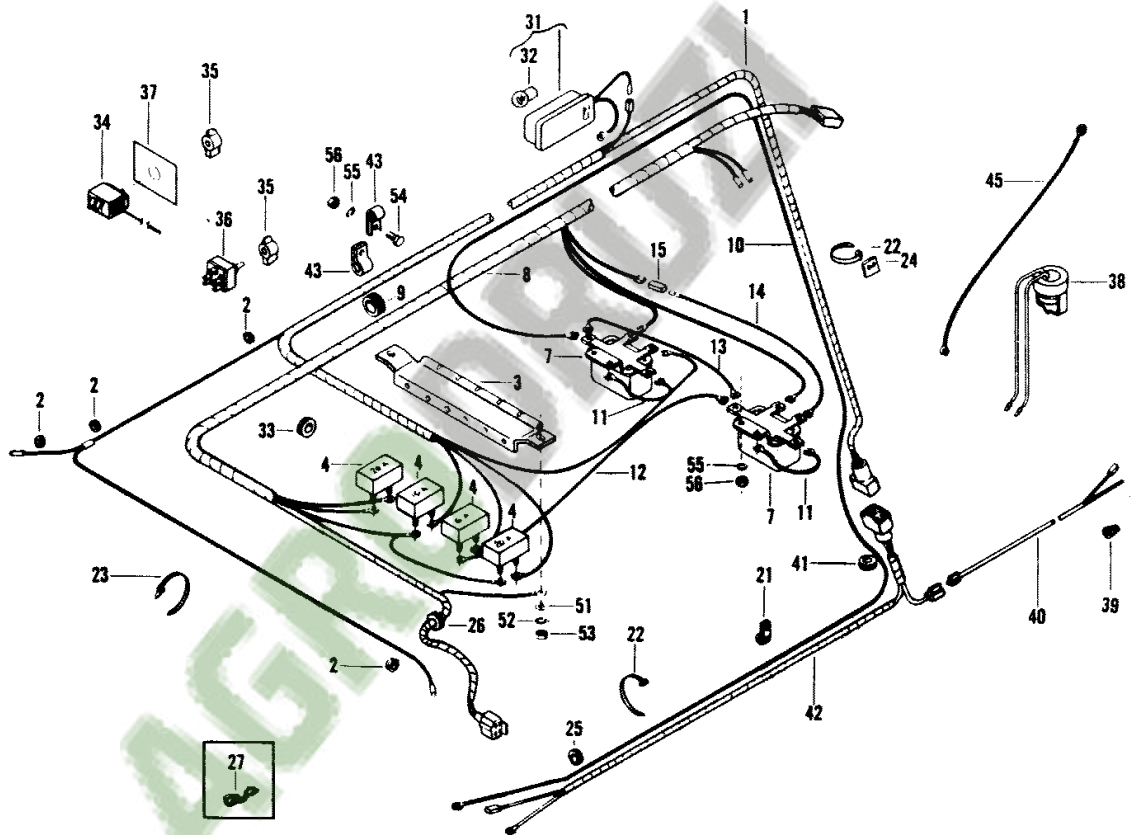
78-65

651 331 M95 (Issue 2) 8/78

CAB ELECTRICAL WIRING

629

1696 174

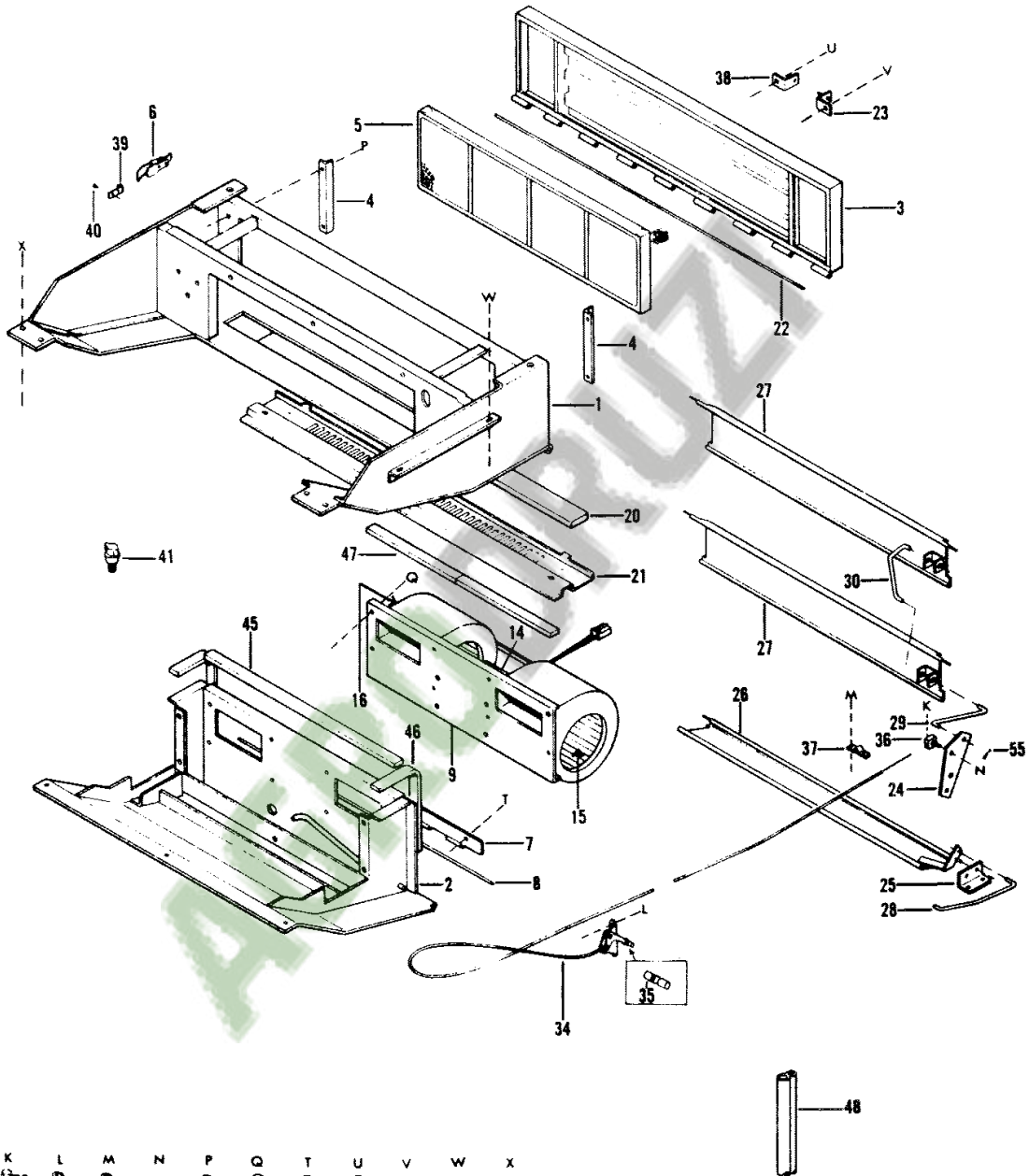


1st Print

651 331 M95 (Issue 1) 12/77

629A  
1696 111-1

PRESSURIZER



K	L	M	N	P	Q	T	U	V	W	X
56	57	58	60	63	64	64	65	66	67	68
		59	62	69	70	68	69	70	69	69
		61	61	70	71	70	70	71	70	71

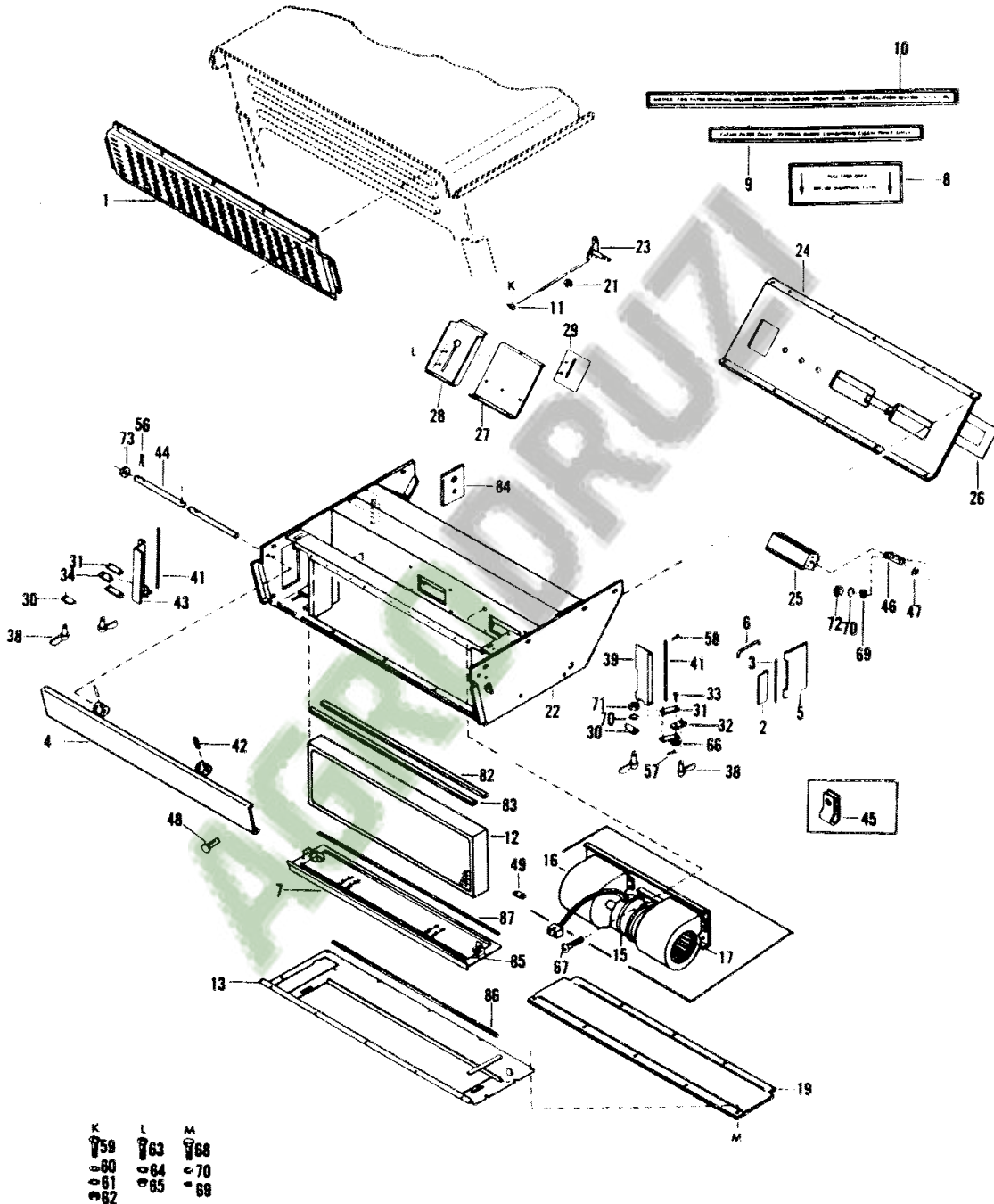
80-1

651 331 M95 (Issue 2) 11/79

630

PRESSURIZER

1696 175-1



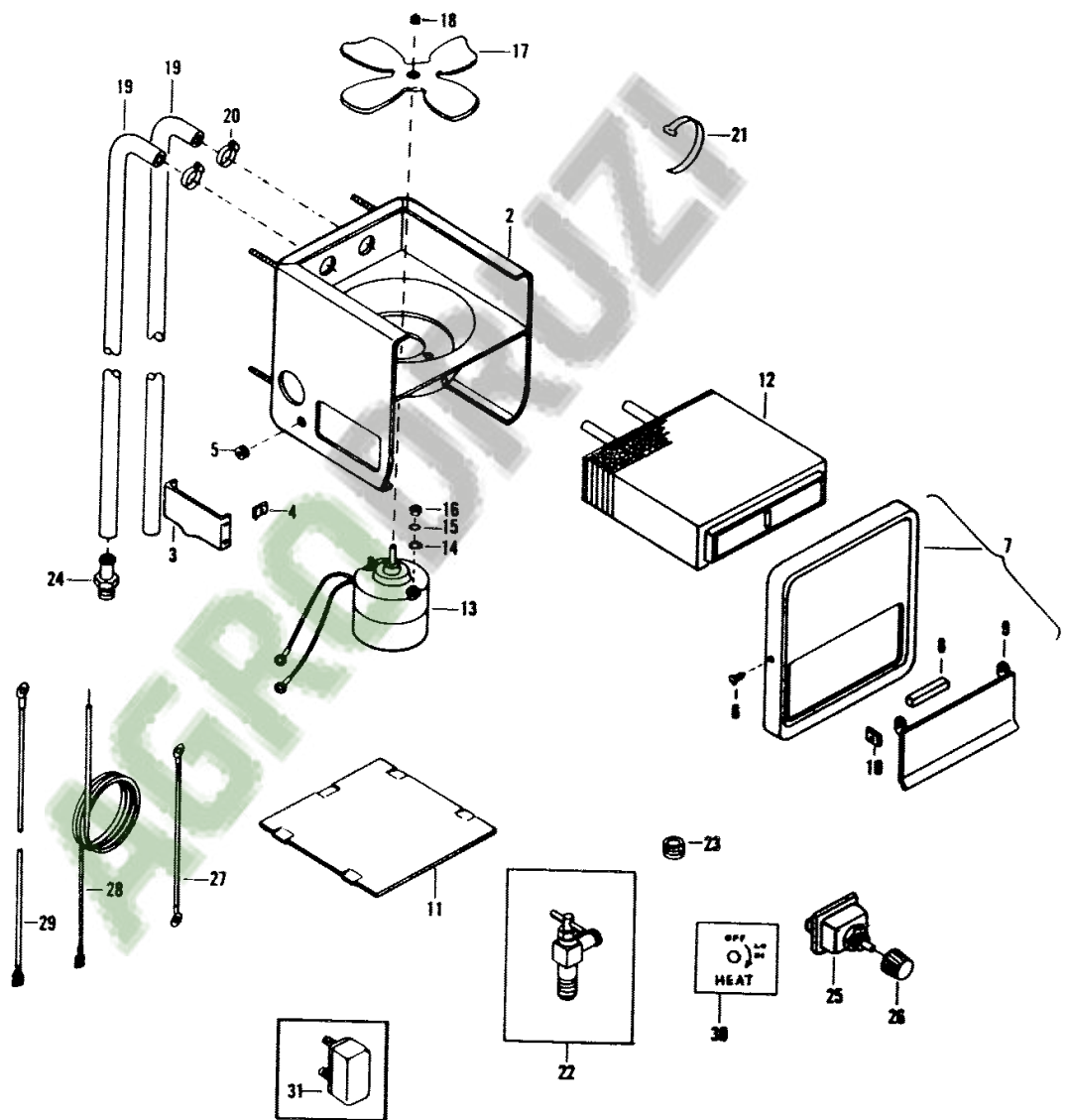
1st Print

651 331 M85 (Issue 1) 12/77

1696 287

HEATER

6.0.



1st Print

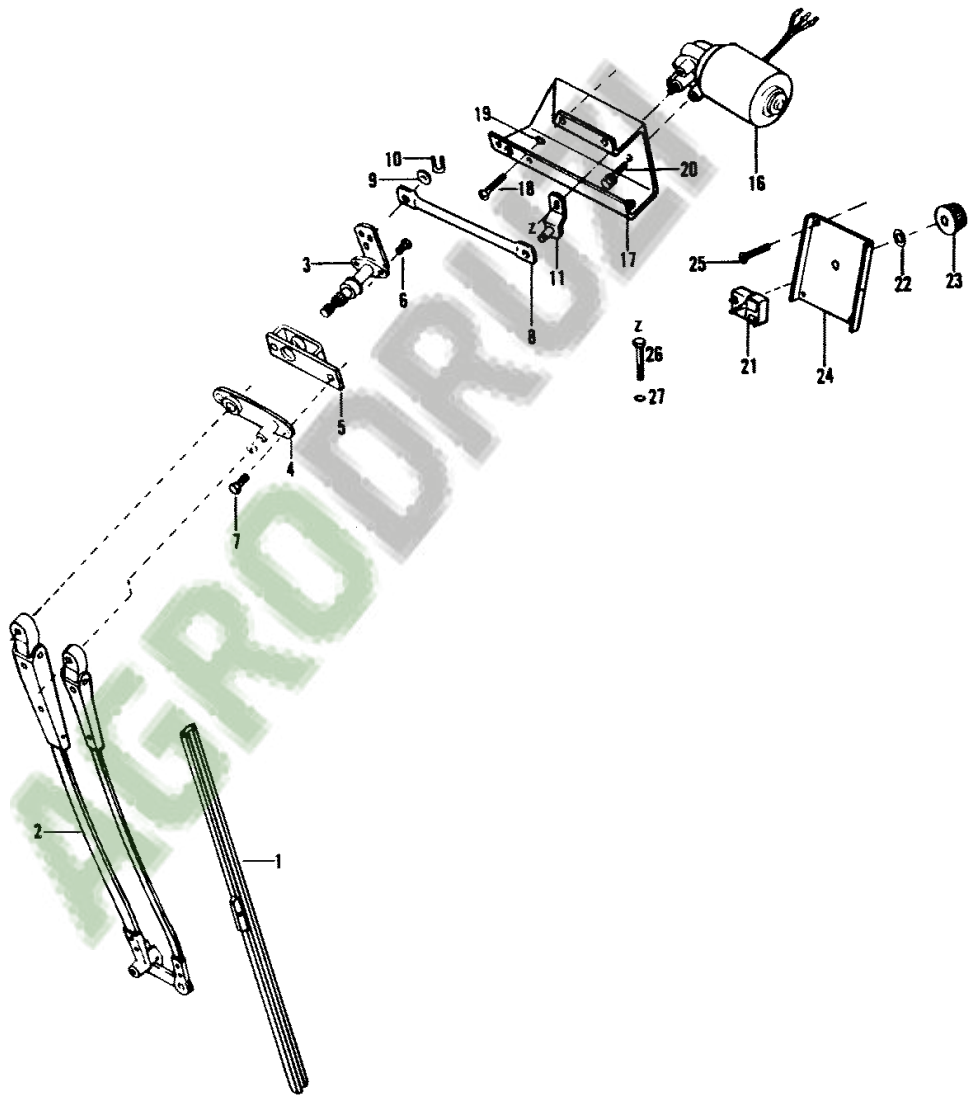
653 331 M05 (Issue 1) 12/77



WINDSHIELD WIPER

633D

1696 412



79-16

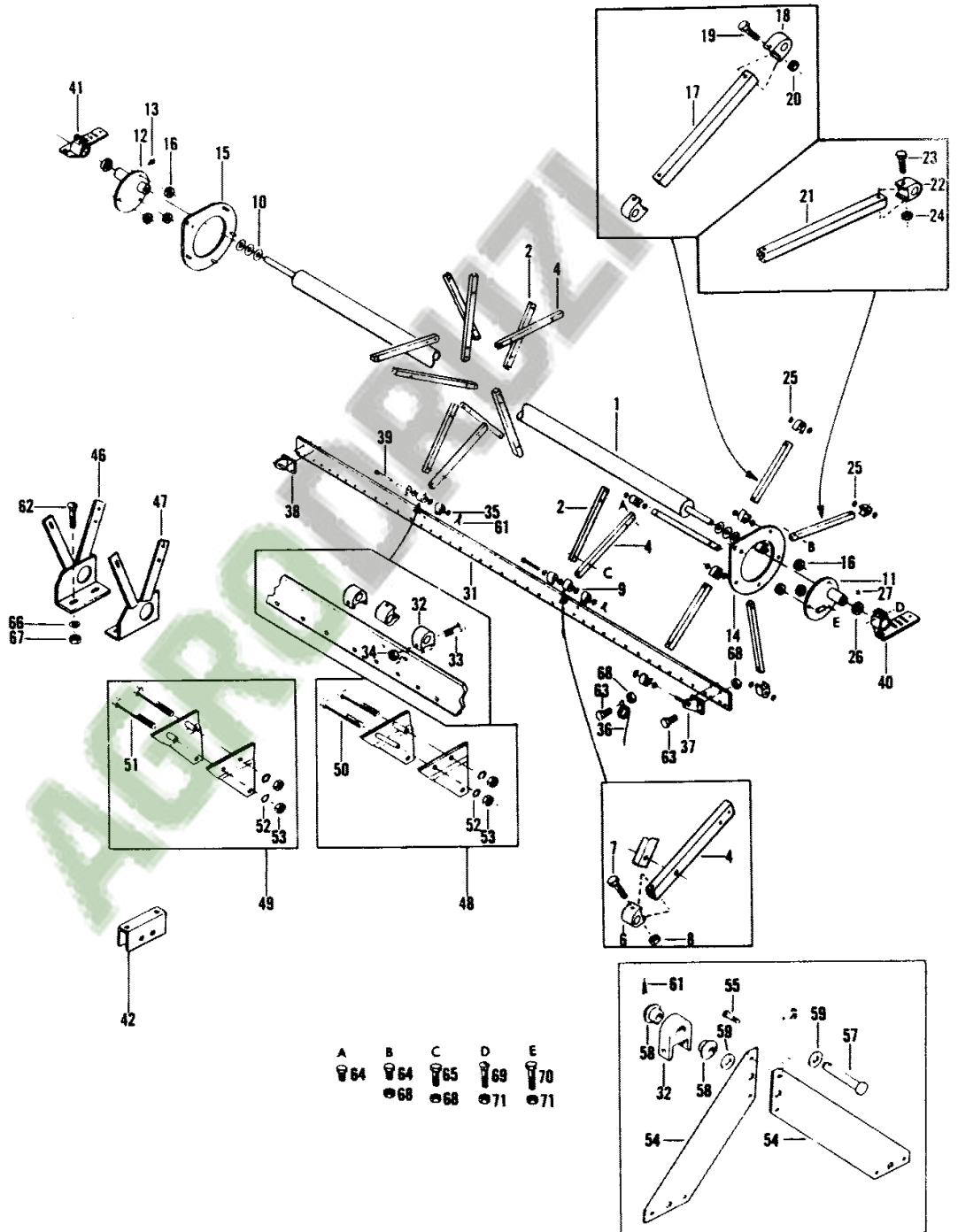
651 331 M95 (Issue 1) 2/00



PICK-UP REEL

635D

1696 443-1



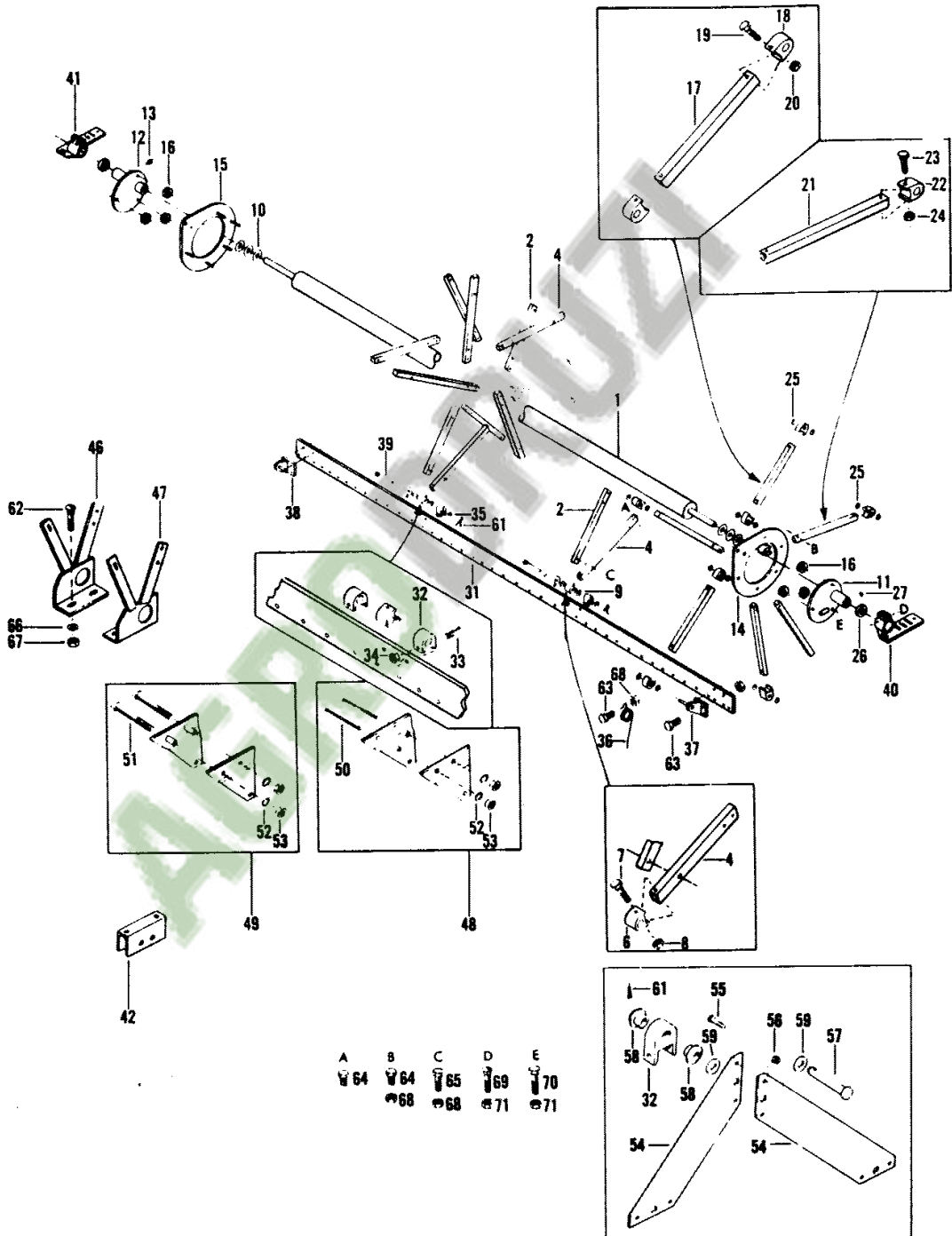
80-1

651 331 M95 (Issue 2) 11/79

635E

PICK-UP REEL

1696 414-1



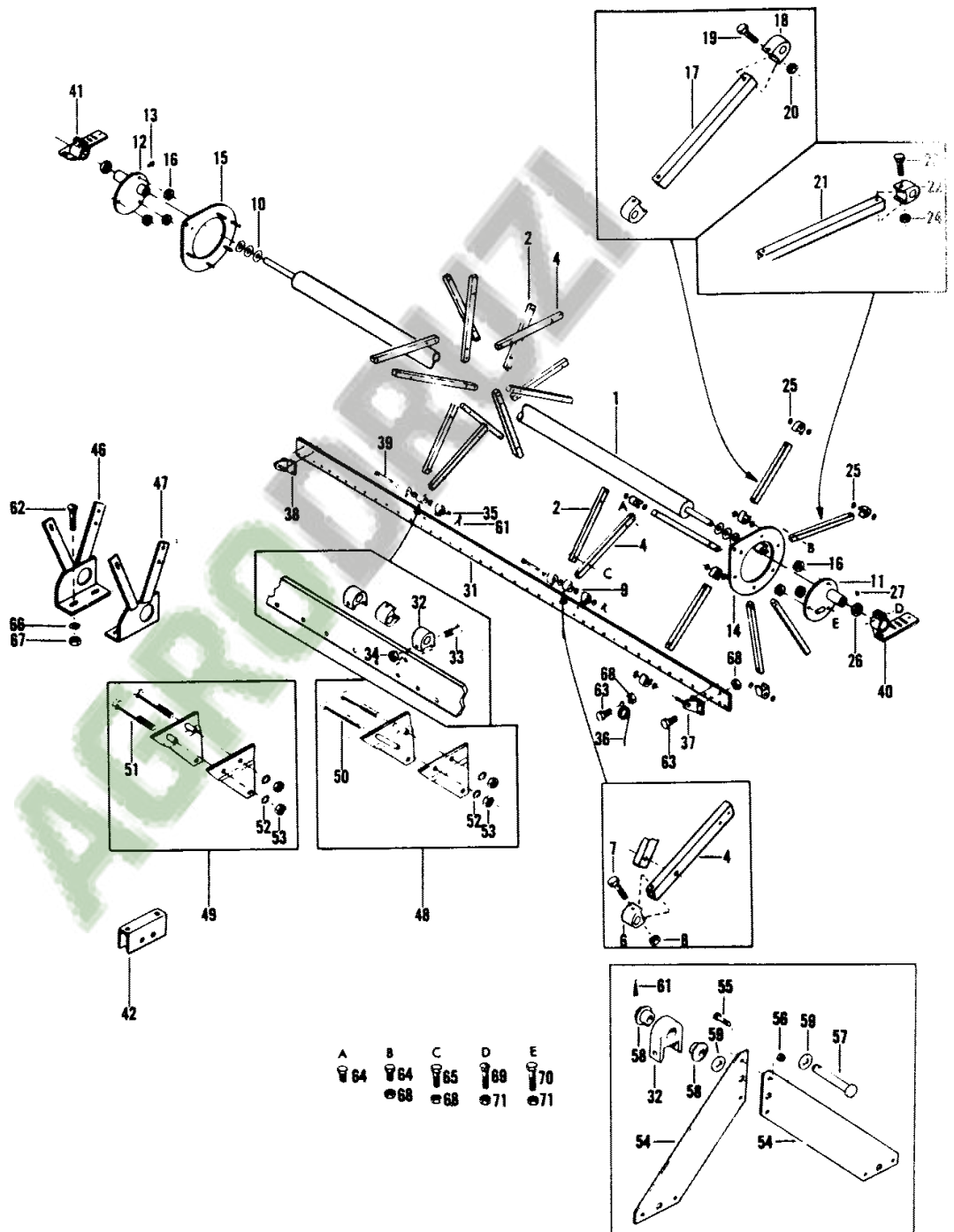
80-1

651 331 M95 (Issue 2) 11/79

PICK-UP REEL

635H

1696 445-1



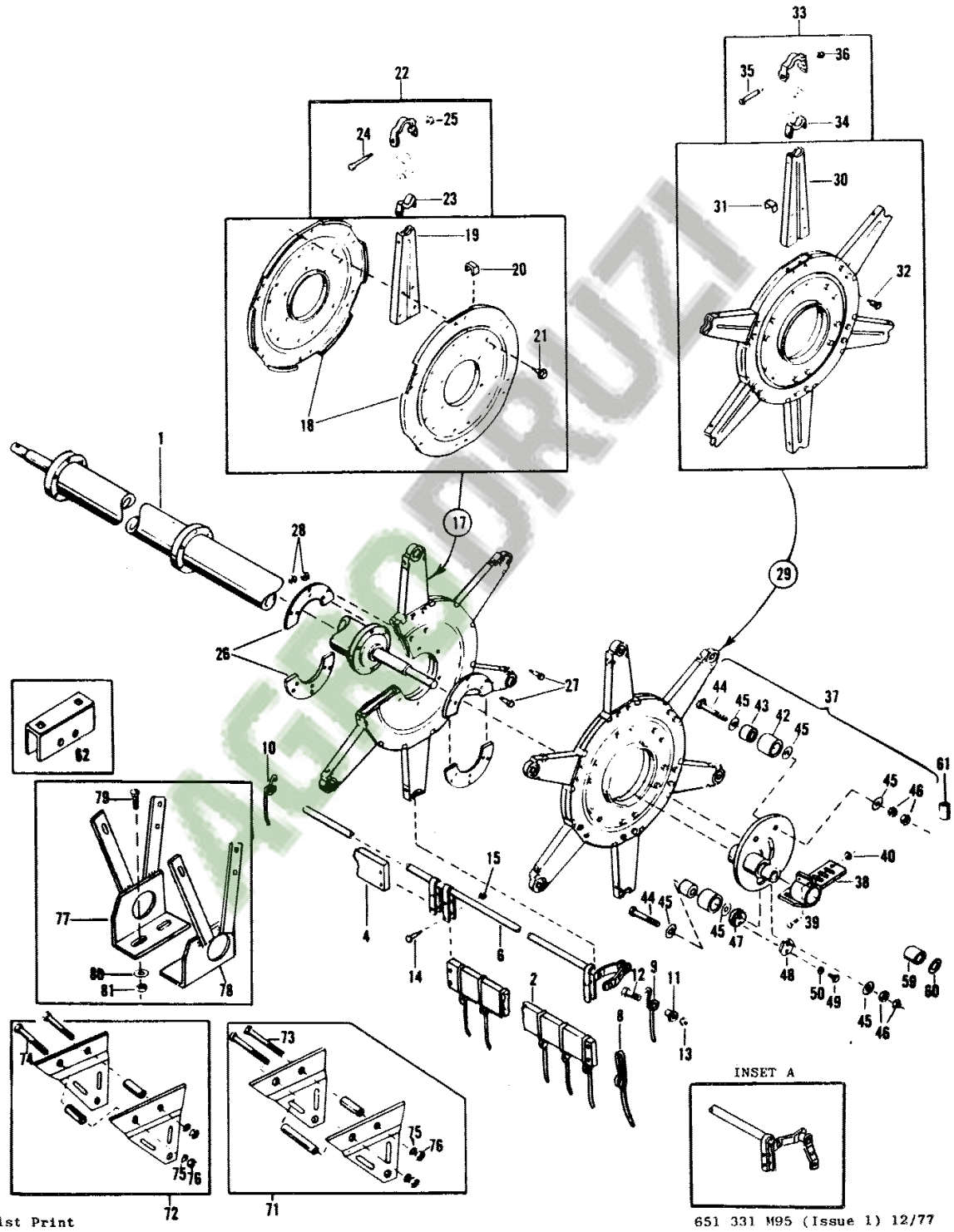
80-1

651 331 M95 (Issue 2) 11/73

638

PICK-UP REEL

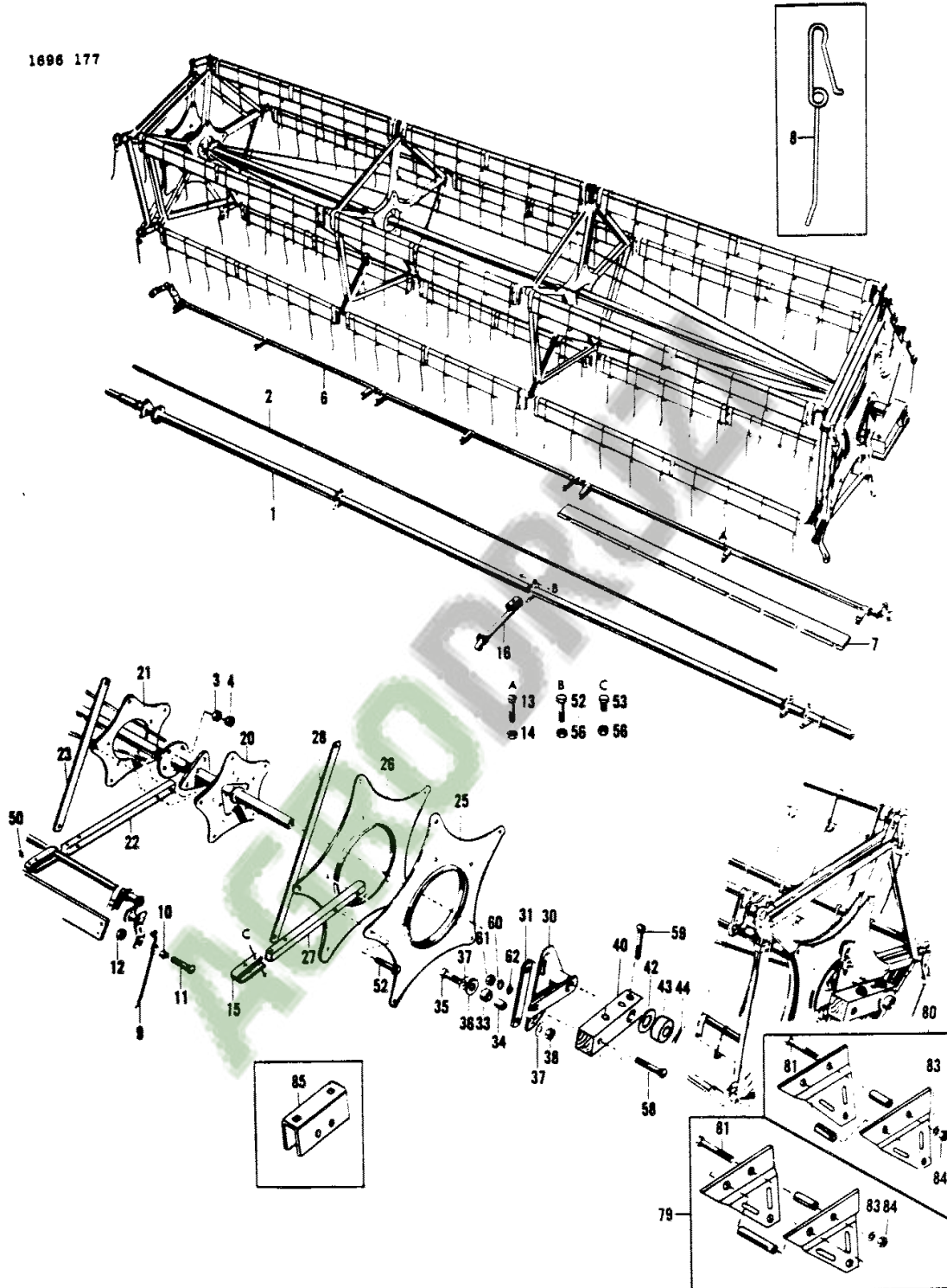
1696 244



642

PICK-UP REEL

1696 177

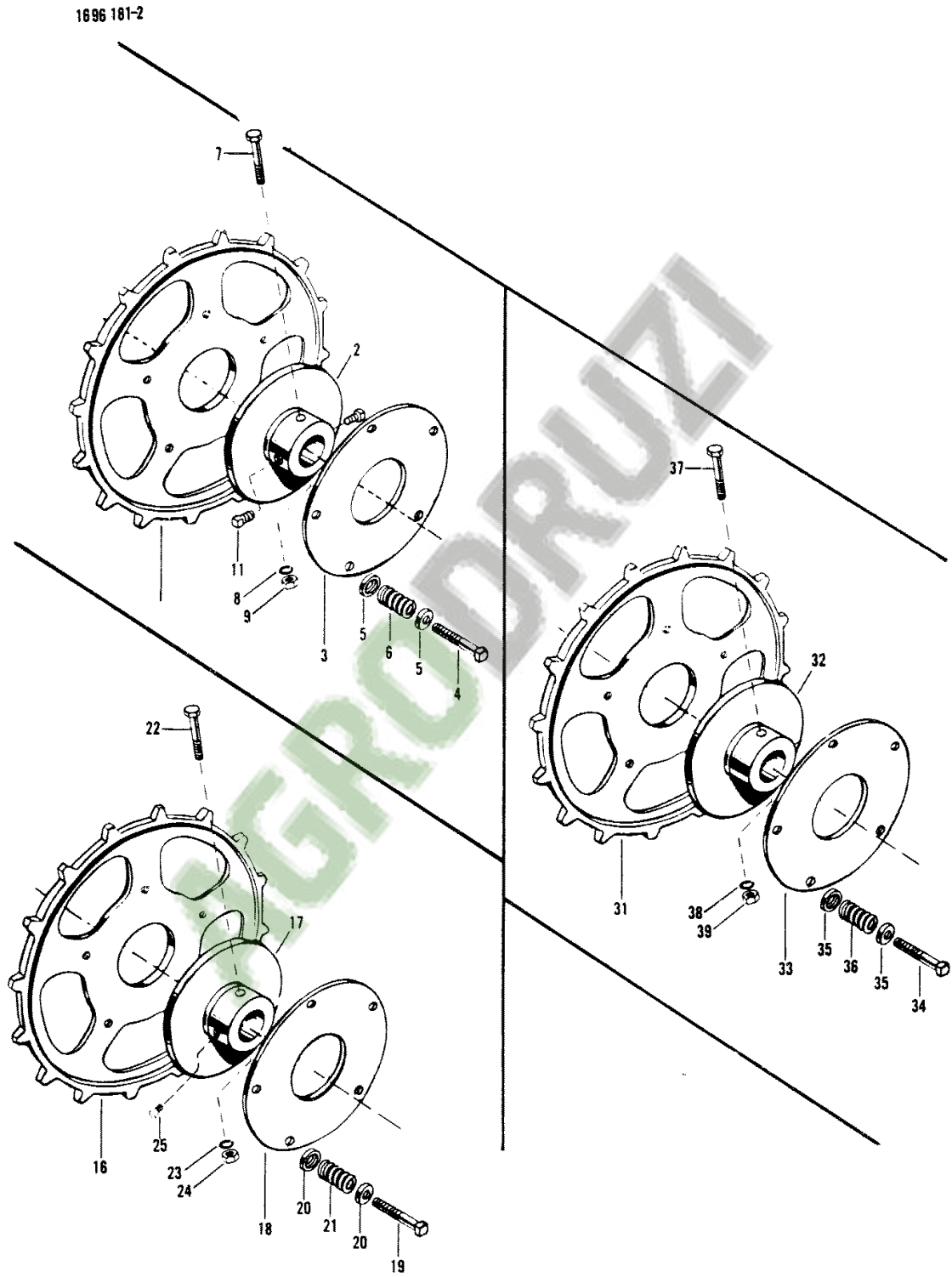


1st Print

651 331 M95 (Issue 1) 12/77

662

CLUTCH



1st Print

651 331 M95 (Issue 1) 12/77

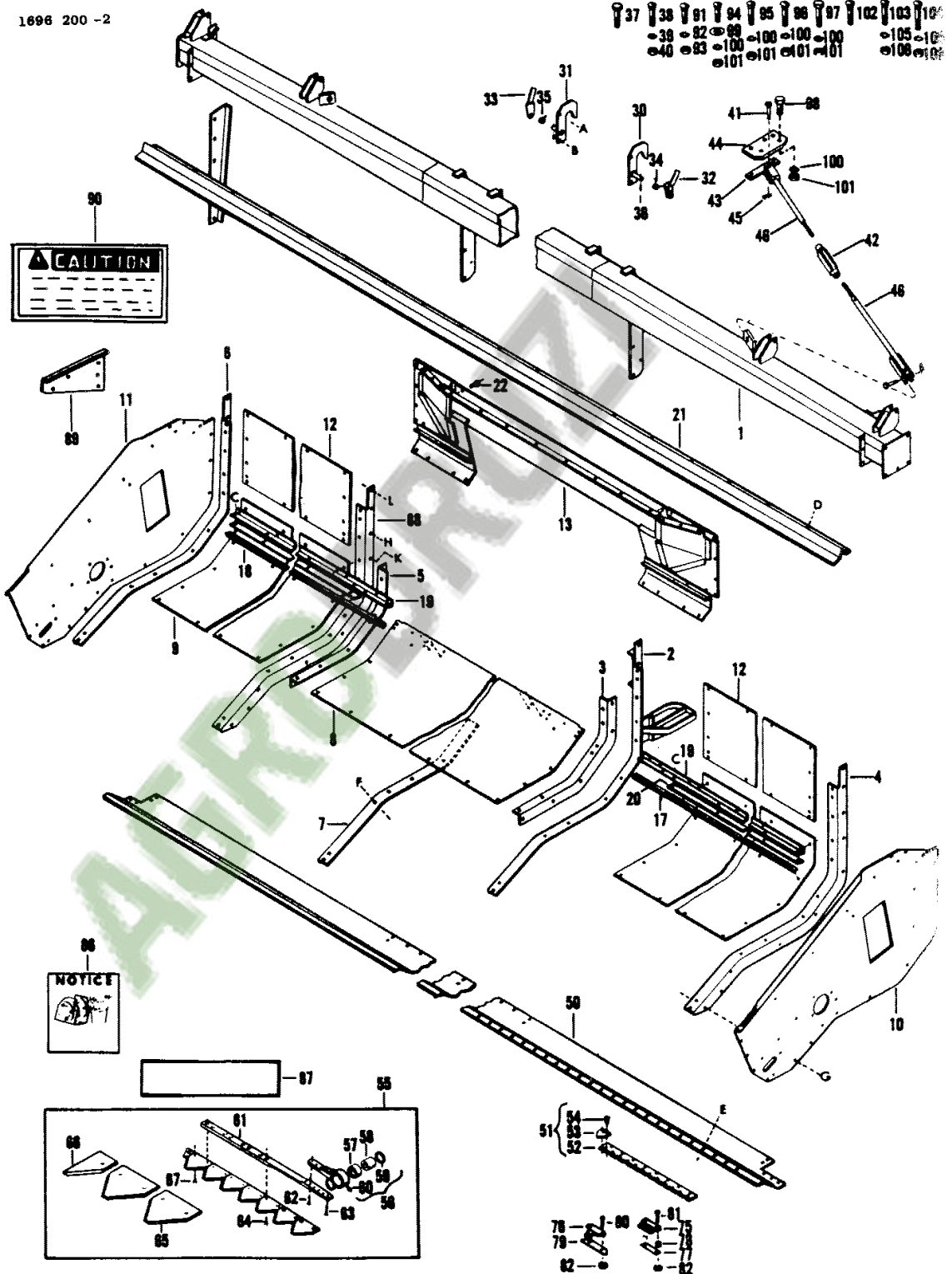


DRAPER TABLE

1696 200 -2

86°

A	B	C	D	E	F	G	H	K	L
37	38	81	84	85	86	87	102	103	104
39	82	88	100	100	100			105	106
40	83	100	101	101	101			106	106



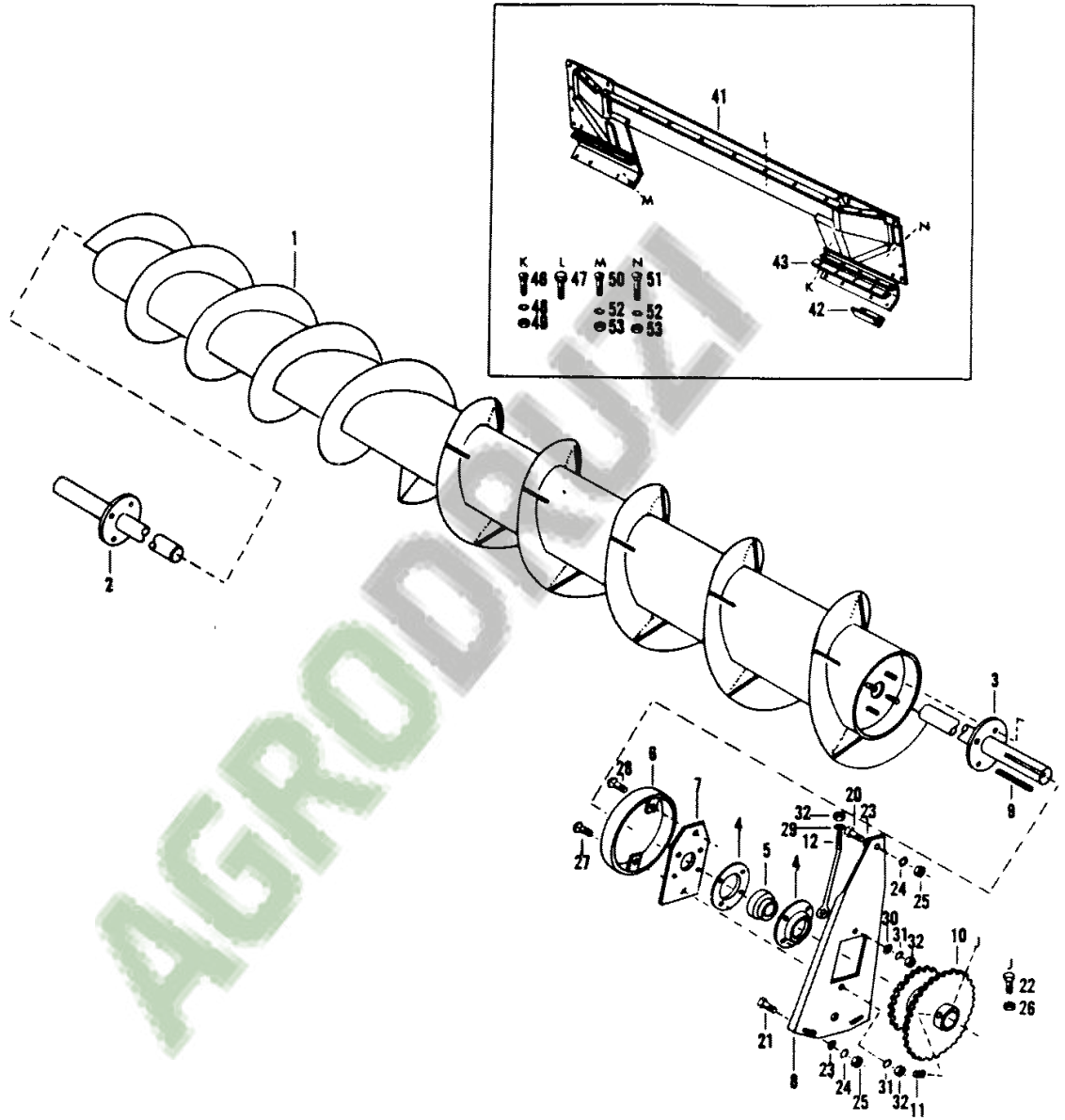
1st Print

651 331 M95 (Issue 1) 1/85

AUGER

669

1696 201



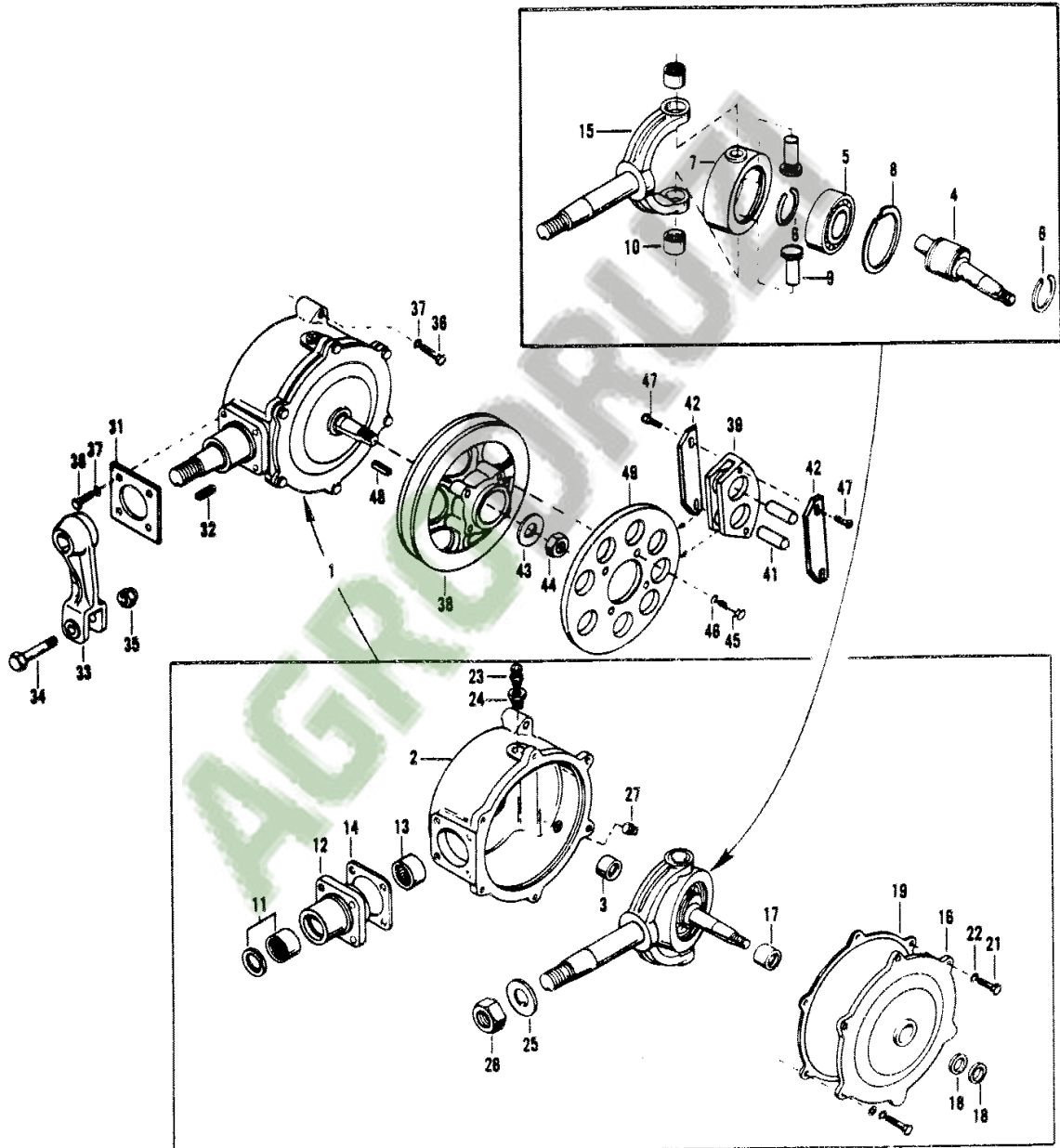
1st Print

651 331 M95 (Issue 1) 12/77

670

WOBBLE KNIFE DRIVE

1696 202

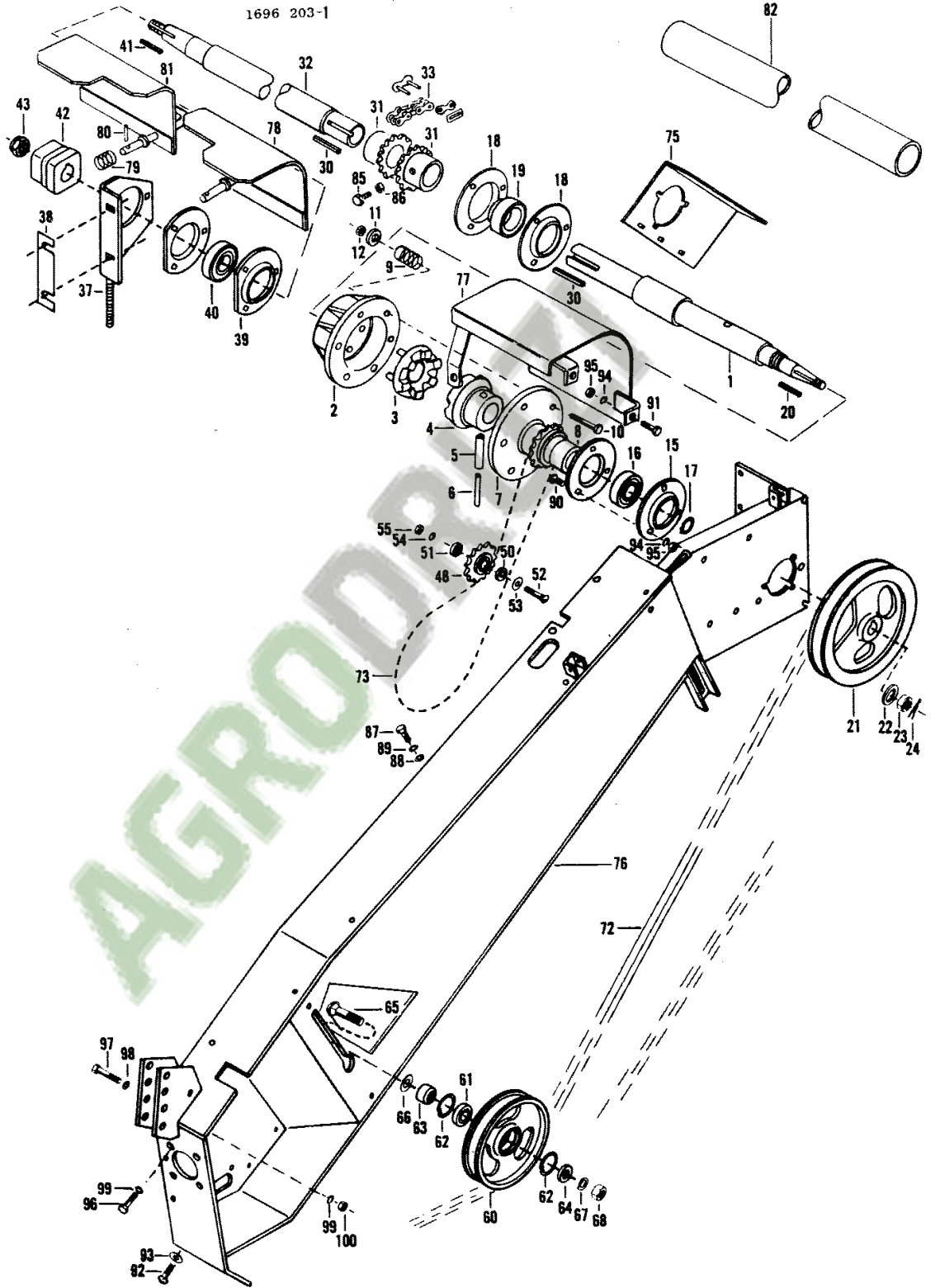


1st Print

651 331 M95 (Issue 1) 12/77

DRIVES, KNIFE AND AUGER

673



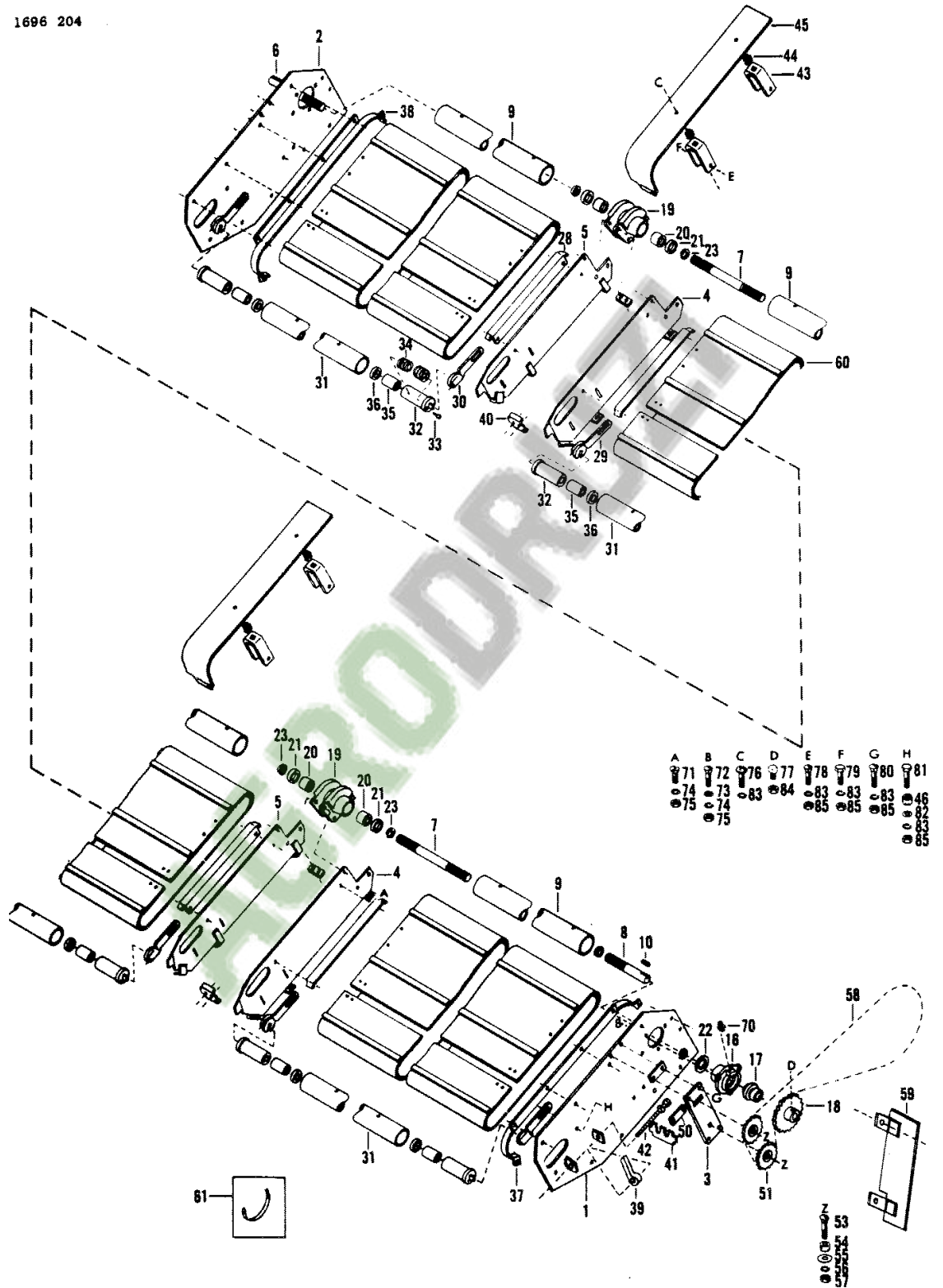
1st Print

651 331 M95 (Issue 1) 12/77

674

DRAPER AND DRIVE

1696 204



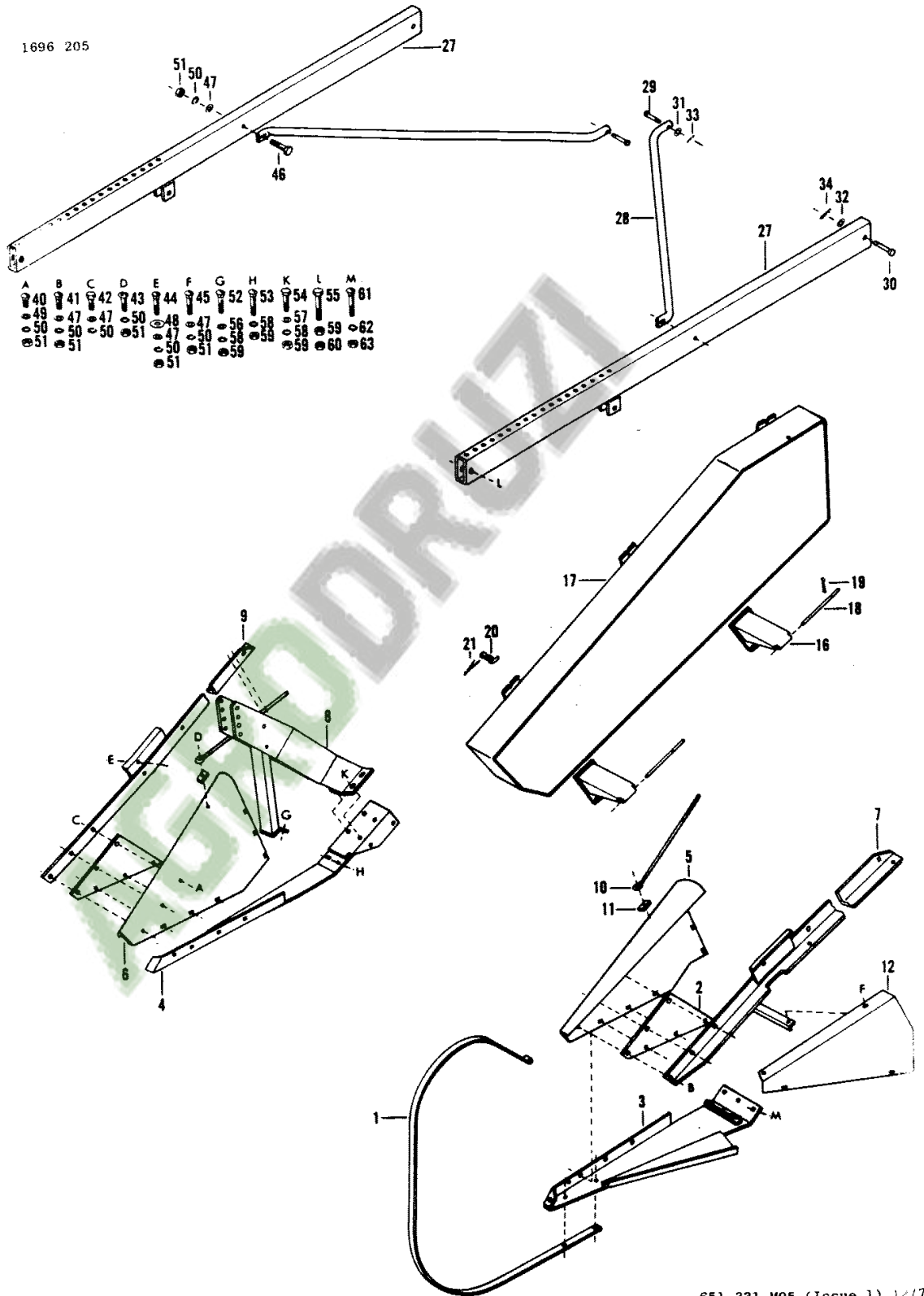
1st Print

651 331 M95 (Issue 1) 12/77

REEL ARMS DIVIDERS AND SHIELDS

677

1696 205



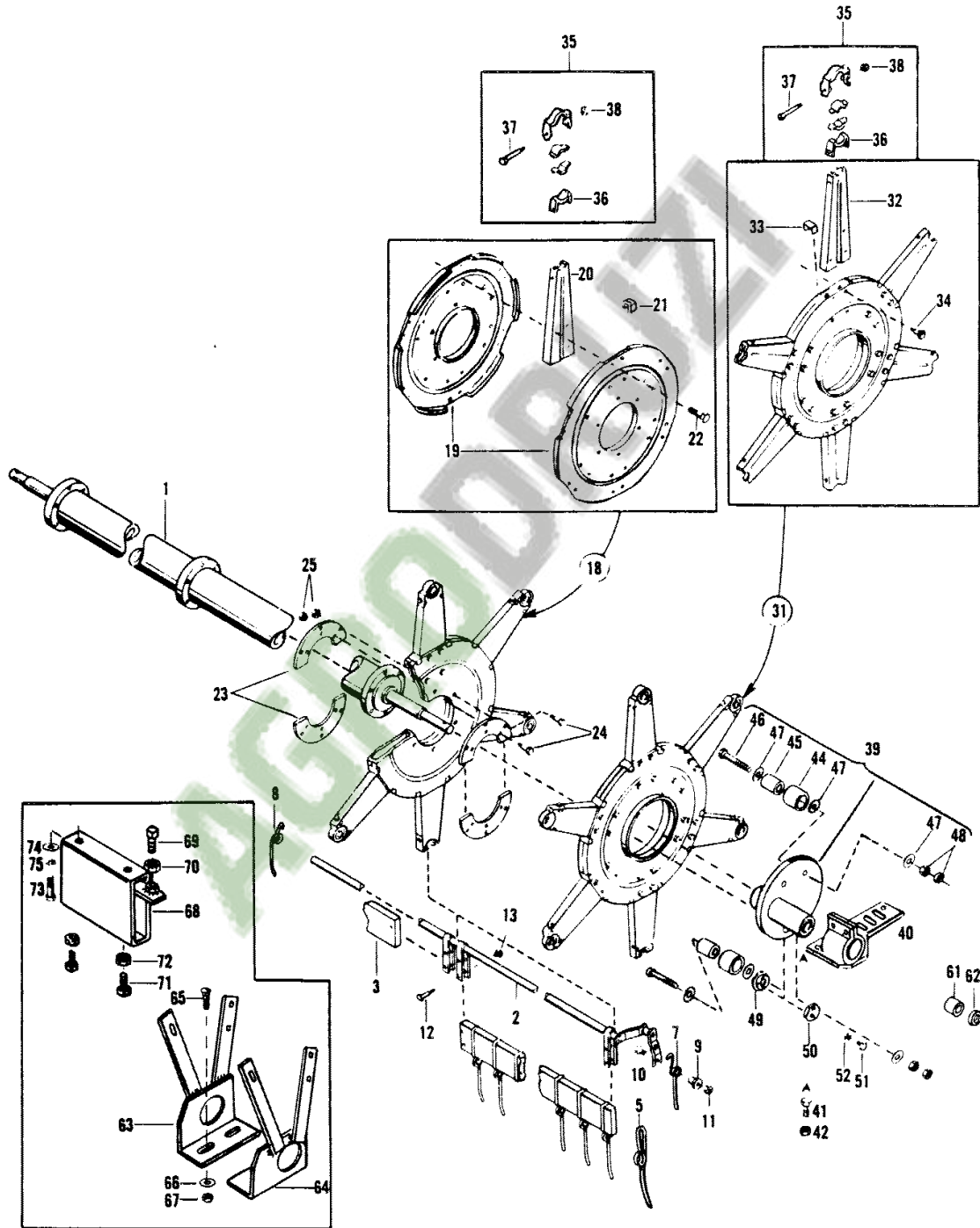
1st Print

651 331 M95 (Issue 1) 12/77

678

PICK-UP REEL

1696 245



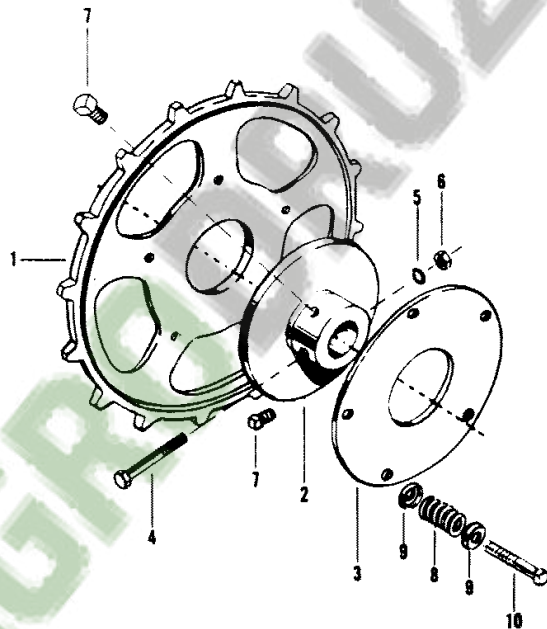
1st Print

651 331 M95 (Issue 1) 12/77

CLUTCH

681

1696 181-1



1st Print

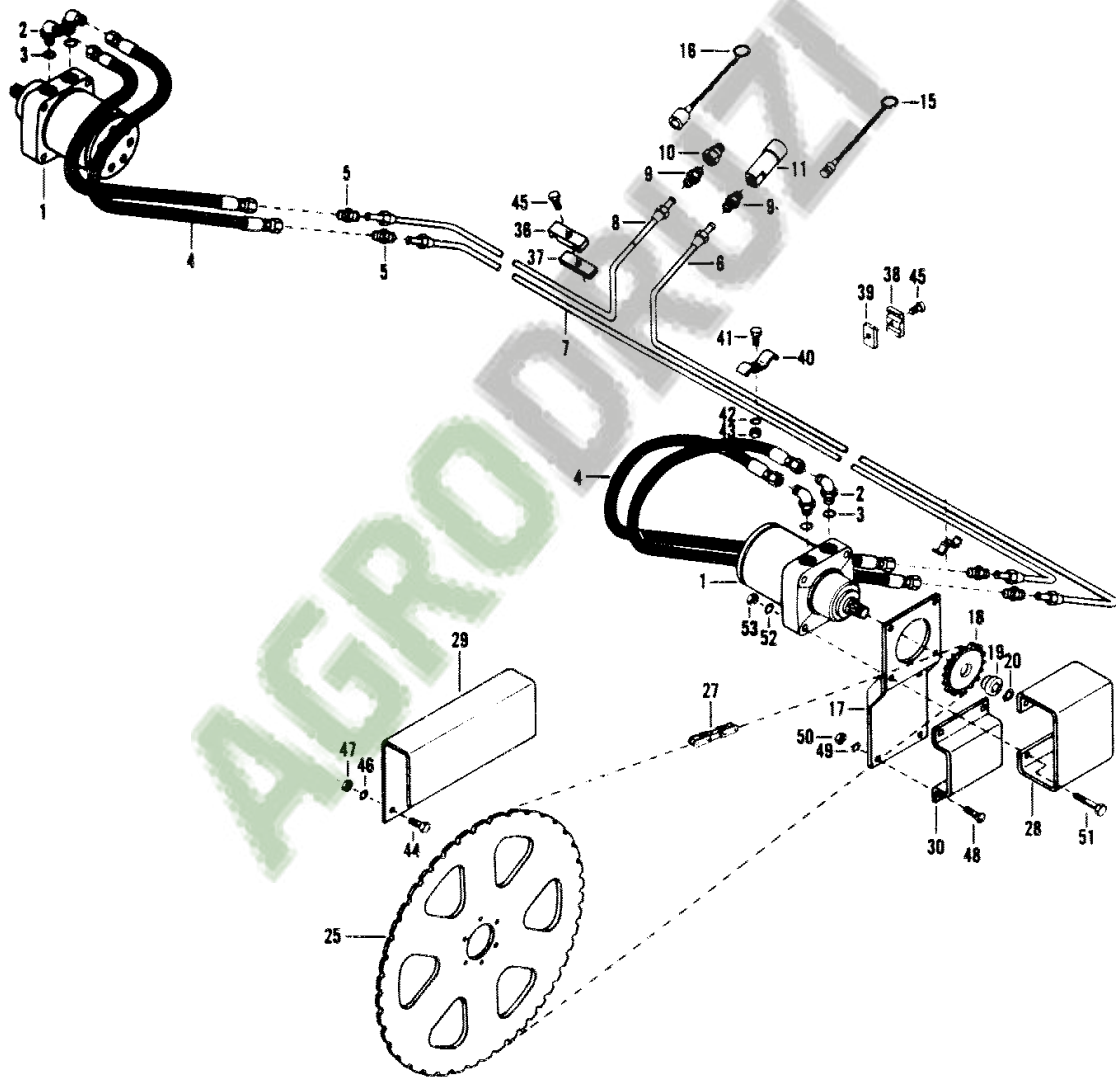
651 331 M95 (Issue 1) 12/77



682

REEL DRIVE HYDRAULICS

1696 206



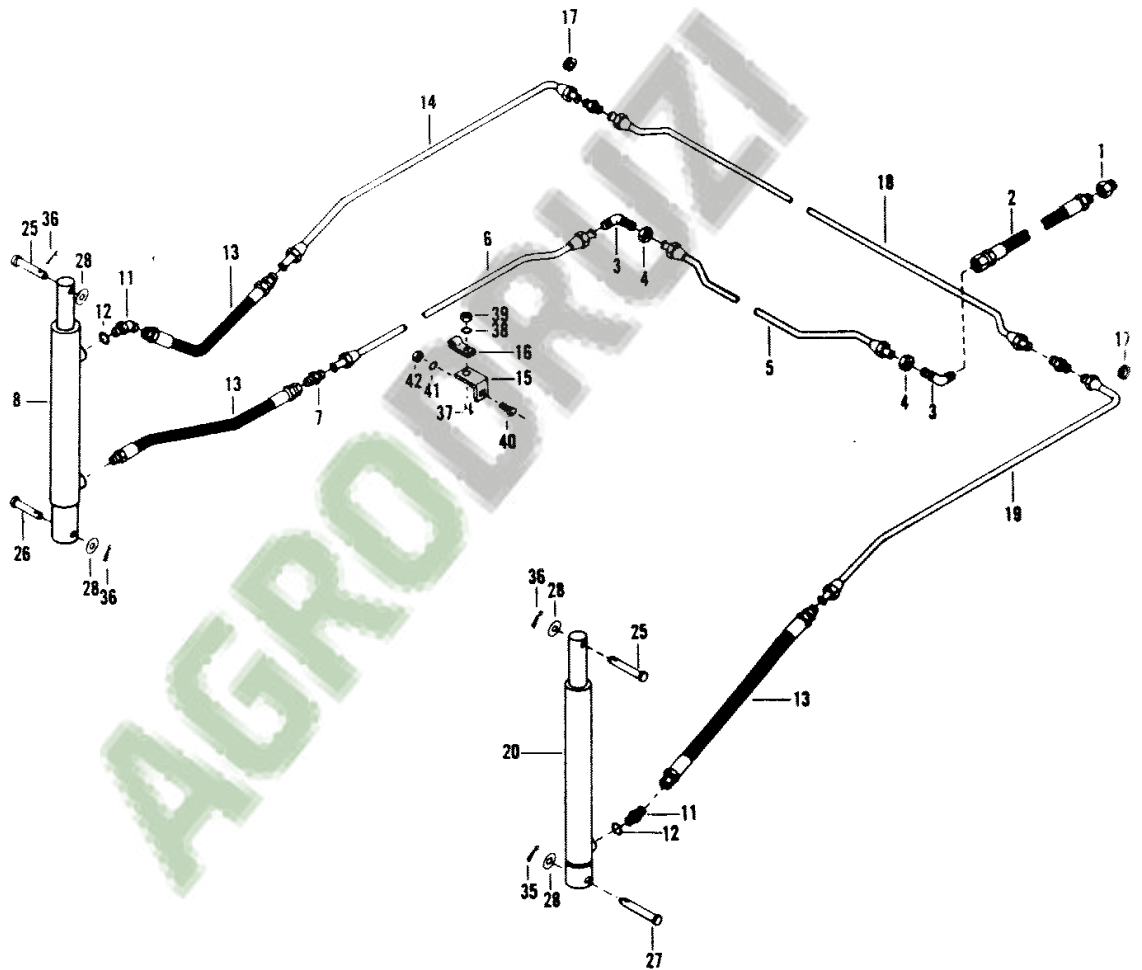
1st Print

651 331 M95 (Issue 1) 12/77

REEL LIFT, HYDRAULICS

685

1696 207



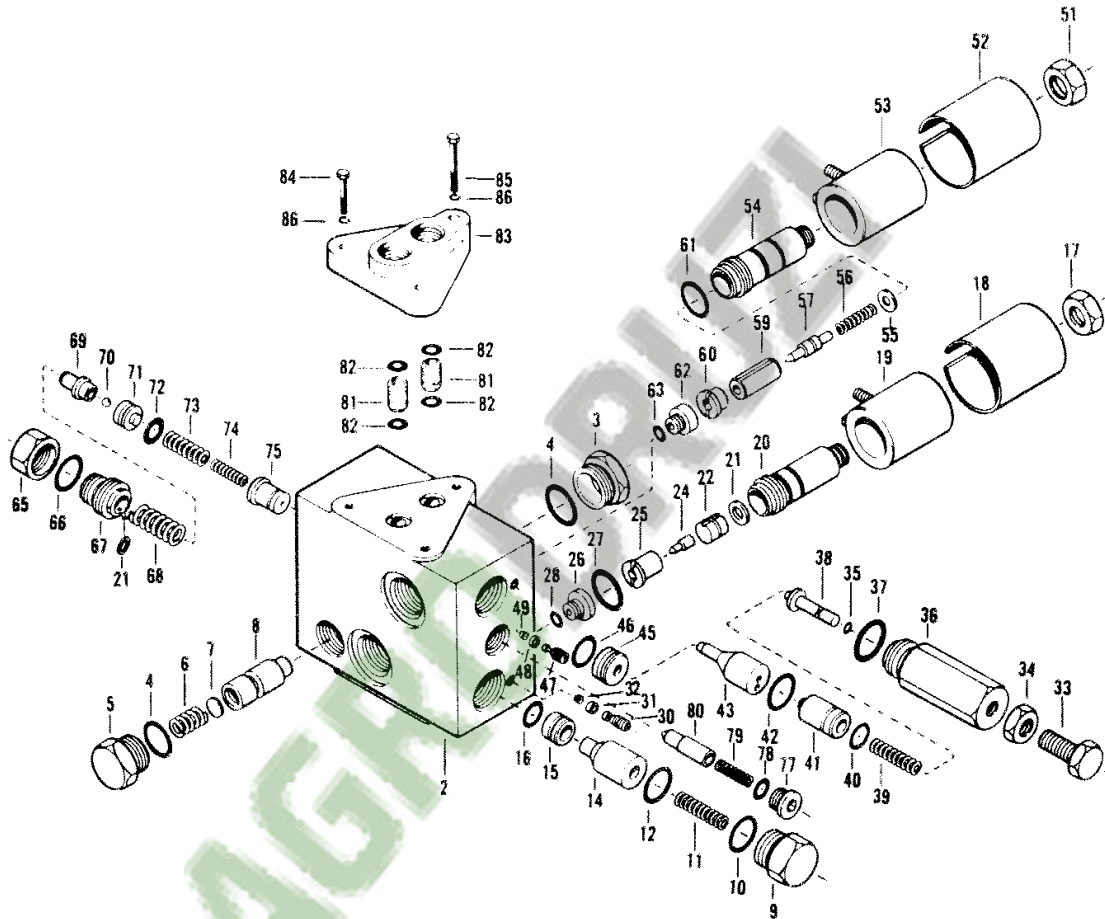
1st Print

651 331 M05 (Issue 1) 12/77

686

CONTROL VALVE

1696 324 - 1



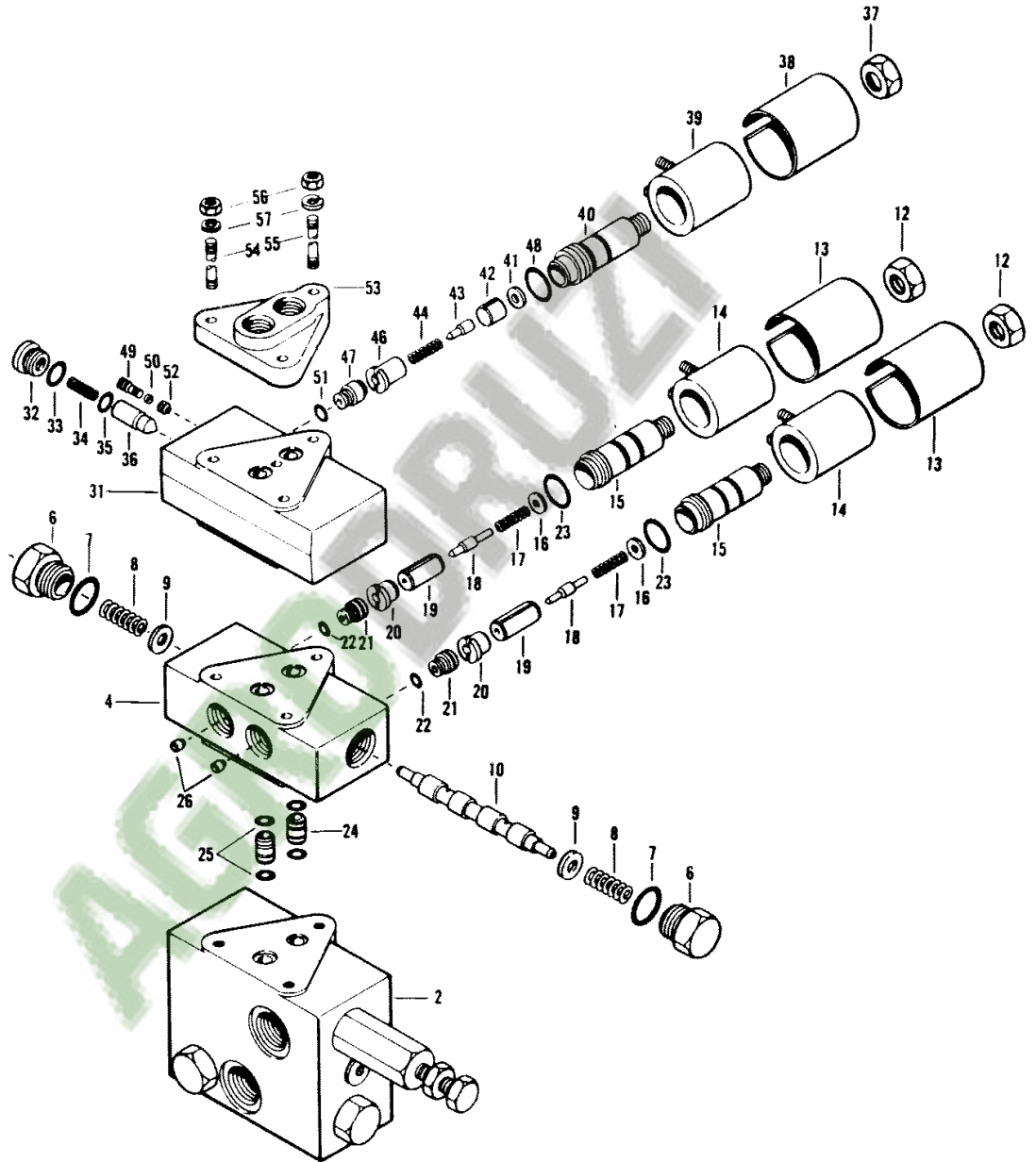
80-1

651 331 M95 (Issue 2) 11/79

CONTROL VALVE

689

1696 325



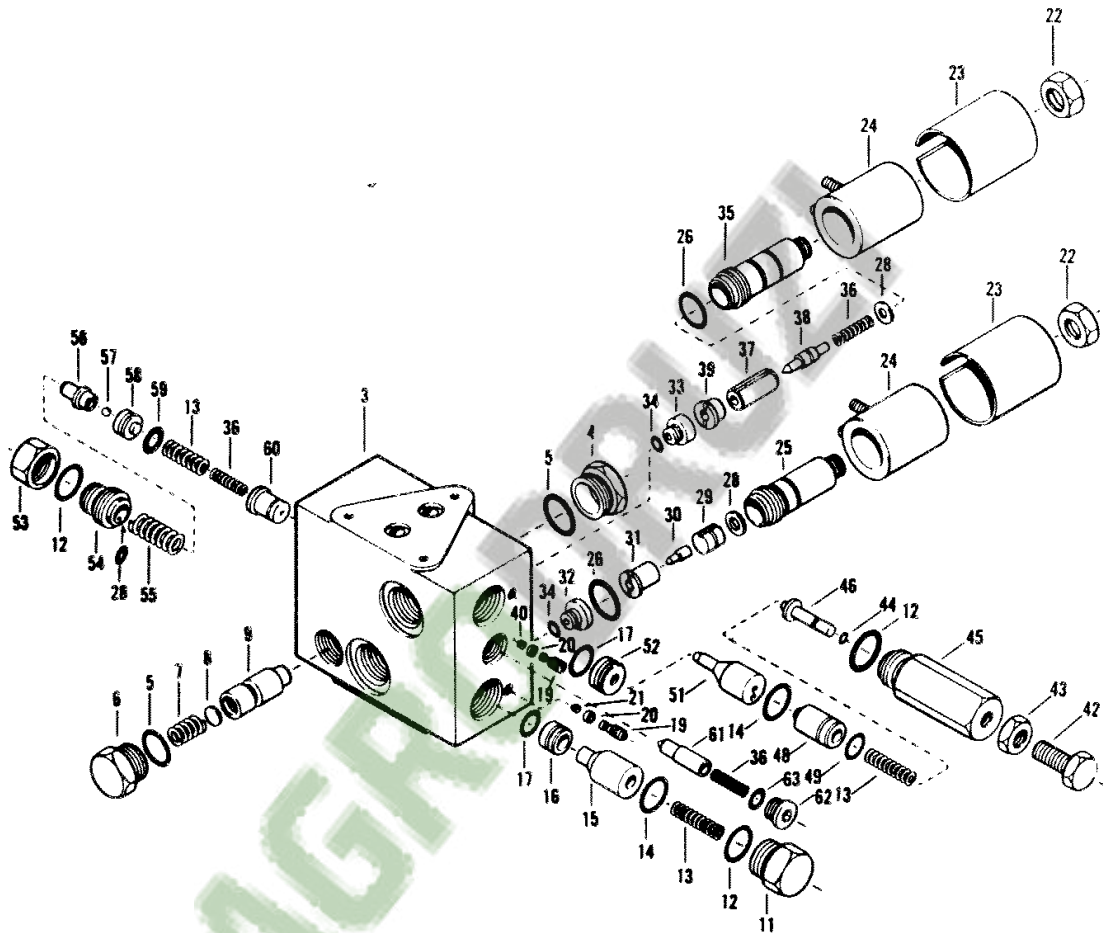
1st Print

651 331 M95 (Issue 1) 12/77

690

CONTROL VALVE

1696 326-1



80-1

651 331 M95 (Issue 2) 11/79